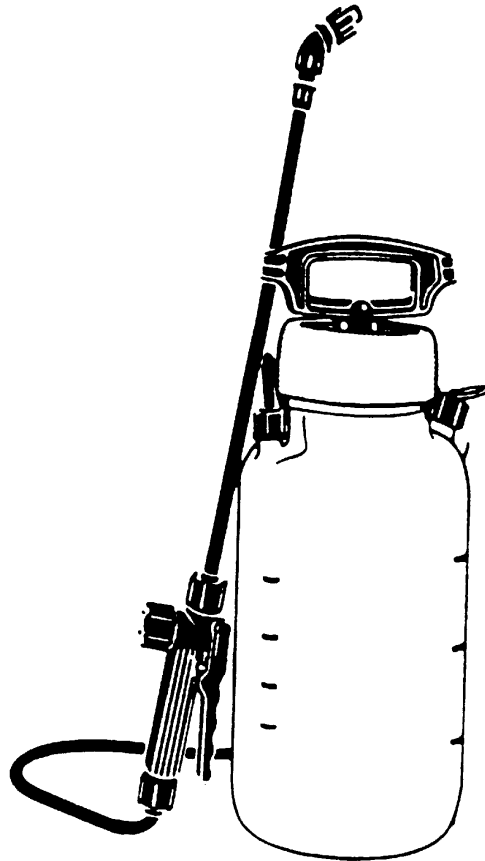


Carpet Sprayer

Model No.:
605848

Operator and Parts Manual



TENNANT COMPANY
Commercial Products
12875 RANSOM STREET
HOLLAND MI 49424 U.S.A.

1-800-522-7839
616-786-2330
FAX: 1-800-678-4240
CUSTOMER SERVICE: 1-800-982-7658

605851
Rev. 01 (06-00)

OPERATION

This manual is furnished with each new Carpet Sprayer. It provides necessary operation, maintenance and trouble shooting instructions. **Read this manual completely and understand the machine before operating or servicing.**

This machine will provide excellent service. However, the best results will be obtained at minimum costs if:

- The machine is operated with reasonable care.
- The machine is maintained regularly - per the machine maintenance instructions provided.
- The machine is maintained with manufacturer supplied parts.

MACHINE DATA

Please fill out at time of installation for future reference.

Model No.- _____

Install. Date - _____

Serial No.- _____

Printed in U.S.A.

SAFETY PRECAUTIONS

Chemicals can be harmful to individuals or the environment if improperly used. In addition, some chemicals are caustic, corrosive, or poisonous and should be avoided. Read label warnings and chemical manufacturers' instructions carefully.

This high-density polyethylene sprayer is fitted with Viton® seals, which are resistant to a wide variety of agricultural and household chemicals; however, care should be exercised to ensure that sprayer components are clean, functioning properly and in a good state of repair before and during use. If in doubt about a particular chemical, check with the manufacturer. If you suspect or observe indications that the material may be unsafe in a sprayer...STOP. Do Not Use or Apply the Chemical.

Always wear protective clothing and eye wear.

NOTE: Some solvents can soften the valve cone, part number 21. Check that the O-ring is sealed against the bottom of the pump cylinder, part number 7. Failure of this O-ring, part 22, to securely seal against the bottom of the pump cylinder will result in liquid entering the cylinder and being expelled out the top of the sprayer.

FOR SAFETY:

- Always wear safety goggles when pressurizing this sprayer.
- Read and follow operating instructions.
- Do not fill the sprayer over the maximum fill mark. Releasing pressure in an overflow condition can cause harmful venting of sprayer contents.
- Relieve pressure only with the sprayer upright. Venting of sprayer contents can occur if liquid is over the bottom of the relief valve.
- Do not exceed 45 psi pressure.
- Do not fill with flammable materials.
- Do not modify the sprayer or pressure relief valve.
- Never spray in the direction of humans, animals or property that might be injured or damaged by the chemical.
- Do not use disinfectants, solvents, or impregnating agents unless first testing to ensure that they are not harmful to the environment or the sprayer.
- Do not use liquids with a temperature above 120° F/49° C.
- Wear rubber gloves, safety goggles and appropriate protective clothing.

ASSEMBLY INSTRUCTIONS

Push the larger end of the spray wand into the shut-off valve and hand tighten the screw cap.

ATTENTION: DO NOT use tools to tighten any of these parts, as over-tightening may damage the parts and cause leaks. Hand tighten ONLY.

SAFETY HINTS

At the time of the manufacture of this sprayer, we are not aware of any approved plant protection chemicals that would affect this sprayer in their usual applied concentration.

Observe the recommendations of the chemical manufacturer before use.

Before every use, ensure the proper functioning of the pressure relief valve.

Before removing any part of the sprayer, pull the pressure relief valve (see figure 1, #1) to release any pressure in the tank.

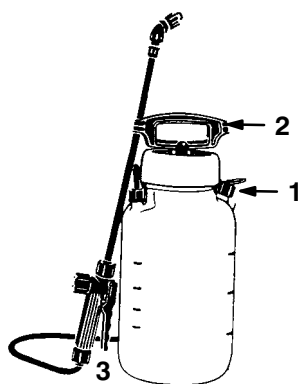


FIG. 1

FOR SAFETY: Wear rubber gloves, safety goggles and appropriate protective clothing.

OPERATION

Before using the sprayer with chemicals, fill the sprayer with fresh water to assure that you have it properly assembled; pressurize and then practice spraying. When thoroughly familiar with sprayer operation, follow normal operating procedures.

Press the pump handle (see figure 1, #2) downwards and twist toward the left. Remove the pump.

Fill the tank with pre-mixed formula up to the indicated maximum fill mark. Observe the recommendations of the chemical manufacturer.

Mix the formula thoroughly and firmly re-tighten the pump.

Pump to a maximum 45 psi/3 bar pressure or until the red portion of the valve stem appears.

FOR SAFETY: Always wear safety goggles when pressuring the sprayer.

Start or stop spraying by operating the hand control lever (see figure 1, #3). See also Figure 2. The spray pressure can be monitored with a pressure gauge (accessory).

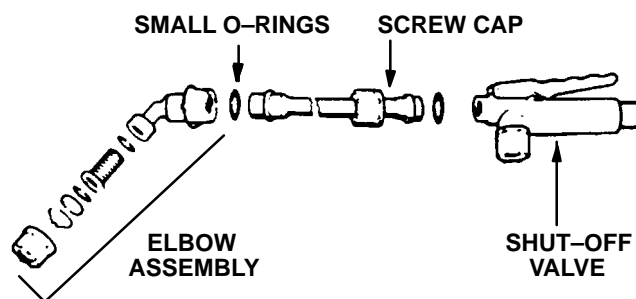


FIG. 2

Before every removal of the pump, release pressure first by pulling the relief valve knob.

CLEANING

Carefully clean the sprayer after every use.

A solution of 10% household bleach and 90% water can be helpful in cleaning the formula tank and internal components. Soap and water may also be used.

Clean the hose and spray tube by flushing with water or a water/bleach solution.

Follow the recommendations of the chemical manufacturer for disposing of waste water and chemicals.

Do not use aggressive cleaning agents or abrasives.

MACHINE MAINTENANCE

- Before storage, clean and empty the sprayer.
- Always store the sprayer in a dry area, protected from freezing, heat and sunlight.
- Lubricate the O-ring in the pressure relief valve with Vaseline on a regular basis. The relief valve is disassembled by pulling the body of the valve out of the screw cap.

OPERATION

- Should the pumping action become difficult, remove the pump from the tank, remove the pump piston (see figure 3, #4) from the pump cylinder and grease the O-ring of the pump piston (see figure 3, #5) with Vaseline.

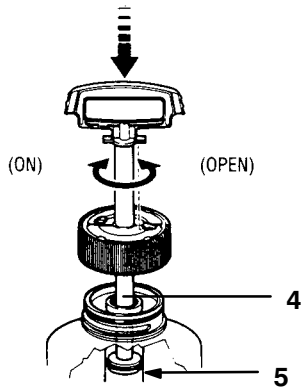


FIG. 3

- Use only original parts and see your sales representative in case of any problems. In the interest of technical progress, we reserve the right to change technical specifications with prior notice.

The sprayer should be cleaned thoroughly after use. Soap and water are good cleaning agents, as well as household bleach. Bleach may be mixed with water, in a 10% solution, and used as a flushing solution. Dispose of cleaning materials properly.

PUMP MAINTENANCE NOTE: Pump pressure sealing is accomplished with an O-ring on the pump piston that moves within the cylinder.

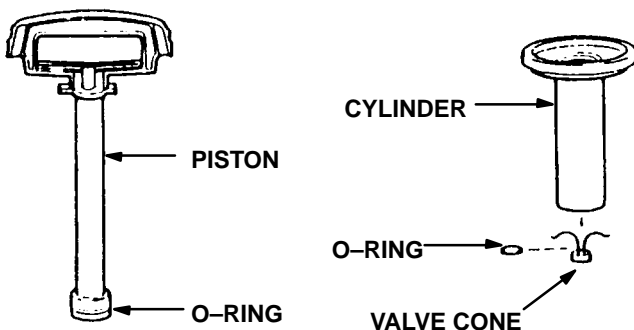


FIG. 4

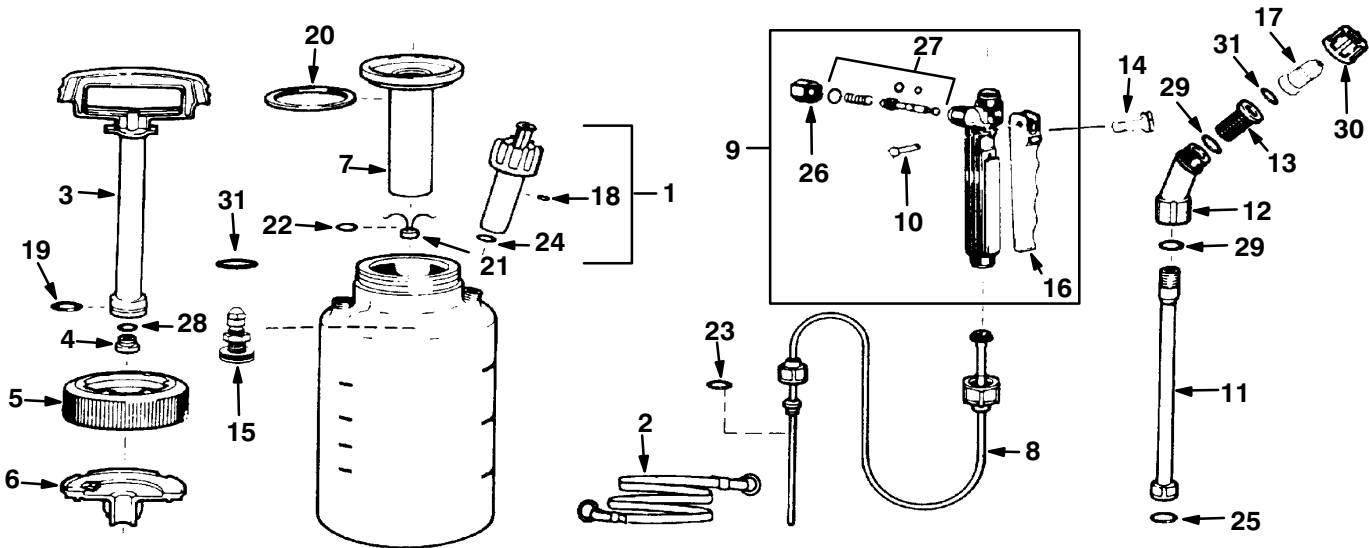
Periodically this O-ring should be greased with Vaseline or a similar product. If worn, it should be replaced. A small valve cone and an O-ring at the bottom of the cylinder prevent the chemical from entering the cylinder. No maintenance is required other than periodic replacement as wear occurs.

TANK LID: Once the tank lid is removed, the pump handle "piston" and "cylinder" (pump body) are disassembled simply by pulling apart.

NOTE: Once the tank lid is removed, the pump handle "piston" and "cylinder" (pump body) are disassembled simply by pulling apart.

REGULAR INSPECTION: Inspect and replace worn or damaged parts promptly. Pay particular attention to the tank lid gasket, pressure relief valve and seal the inflation valve (if fitted), O-rings and seals throughout the sprayer. Regular lubrication of O-rings and seals is recommended.

CARPET SPRAYER



REF	PART #	DESCRIPTION	QTY.
1	606033	PRESSURE RELIEF VALVE ASSEMBLY	1
2	606034	CARRYING STRAPS	1
3	606035	PUMP PISTON	1
4	606036	PLUG	1
5	606037	TANK LID	1
6	606038	CYLINDER SUPPORT	1
7	606039	CYLINDER	1
8	606040	PRESSURE HOSE ASSEMBLY	1
9	606041	SHUT-OFF VALVE ASSEMBLY	1
10	606042	PLASTIC PIN	1
11	606043	SPRAY TUBE ASSEMBLY	1
12	606044	ANGULAR CONNECTION	1
13	606045	FILTER ELEMENT	1
14	606046	LOCK CLIP	1
15	606047	INFLATION VALVE ASSEMBLY	1
16	606048	LEVER	1
17	606049	ADJ. SPRAY NOZZLE	1

REF	PART #	DESCRIPTION	QTY.
▽	606032	KIT, O-RING SET	1
▲18	*	O-RING	1
▲19	*	O-RING	1
▲20	*	GASKET	1
▲21	*	VALVE CONE	1
▲22	*	O-RING	1
▲23	*	O-RING	1
▲28	*	O-RING	1
▽	605849	KIT, REPAIR SHUT OFF VALVE	1
▲24	*	O-RING	1
▲25	*	O-RING	1
▲26	*	RETAINING NUT	1
▲27	*	KIT, REPAIR SHUT-OFF VALVE	1
▽	605850	KIT, REPAIR WAND	1
▲27	*	KIT, REPAIR SHUT-OFF VALVE	1
▲28	*	O-RING	1
▲29	*	O-RING	2
▲30	*	SCREW CAP	1
▲31	*	O-RING	2

- ▽ Kit
- ▲ Included in Kit
- * Kit Contents Are Not Available As Separate Items, Order Kit