

Castex®

UV-1600HD/UV-2200HD

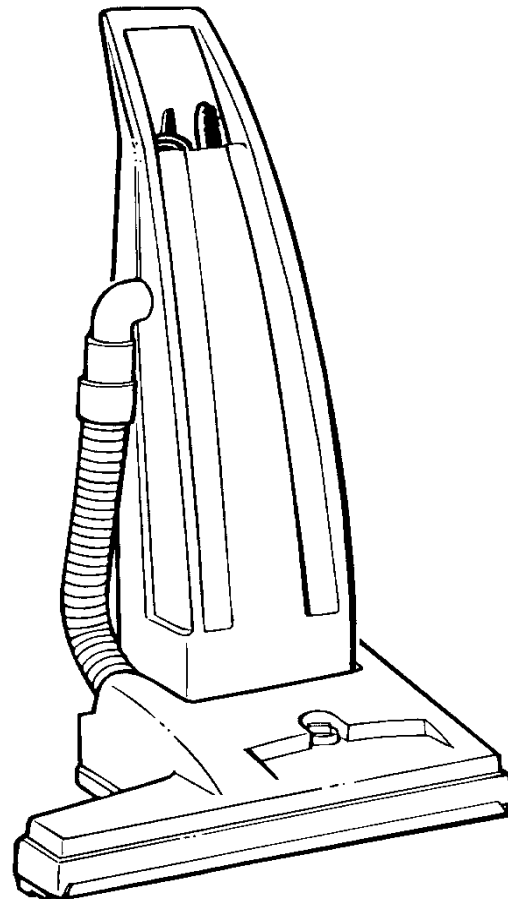
Dual Motor Vacuum

Model:

607435 – UV-1600HD

607436 – UV-2200HD

**Operator and Parts Manual
Manual de Operación y de Piezas**



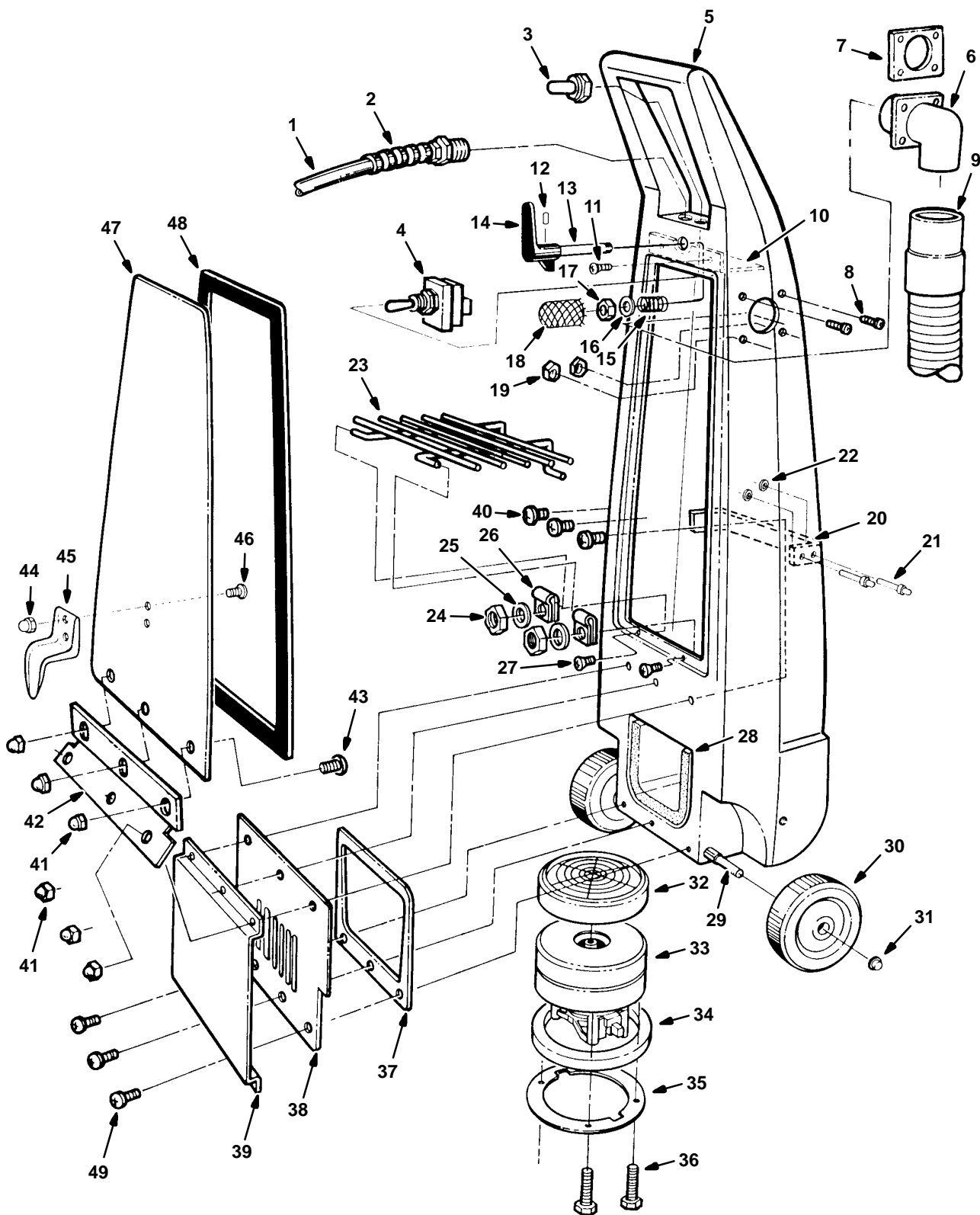
CASTEX INCORPORATED
12875 RANSOM STREET
HOLLAND MI 49424 U.S.A.

A TENNANT COMPANY

1-800-522-7839
616-786-2330
FAX: 1-800-678-4240
CUSTOMER SERVICE: 1-800-365-6625

**608263
Rev. 01 (06-00)**

UPPER UNIT
PIEZAS DE SUPERIOR



**UPPER UNIT
PIEZAS DE SUPERIOR**

REF	PART #	DESCRIPTION	QTY.
1.	130219	●CORD, 50'(15M) 120V	1
	600324	CORD, 50'(15M) 230V/240V	1
2.	130166	GRIP, CORD (230V/240V ONLY)	1
3.	130990	●BOOT, SWITCH	1
4.	130726	●SWITCH, TOGGLE	1
	600748	SWITCH, TOGGLE (EMC MODEL)	1
5.	604875	HANDLE, HOUSING (BLUE)	1
6.	608585	ELBOW, INLET, BLACK	1
7.	100121	GASKET, ELBOW	1
8.	140881	SCREW, MCH .25-20x1	4
9.	160406	HOSE, W/CUFF, 2" (2200)	1
	160407	HOSE, W/CUFF, 1.5" (1600)	1
10.	230007.BK	PLATE	1
11.	140890	SCREW, PLATE	2
12.	140610	PIN, ROLL	1
13.	230245	SHAFT, LATCH	1
14.	103053	●HANDLE, LATCH	1
15.	140419	SPRING, HANDLE	1
16.	140013	WASHER, FLAT.375	1
17.	140545	NUT, .375	1
18.	605839	GUARD, SPRING	1
19.	140501	NUT, LOCK	4
20.	26554	BRACE, HANDLE	1
21.	25249	RIVET,POP	4
22.	140007	WASHER, FLAT .1875	4
23.	230005	SUPPORT, BAG	1
24.	140507	NUT, 4-40	2
25.	140054	WASHER, FLAT	2
26.	140326	CLAMP	2
27.	140566	SCREW, 4-40X.5	2
28.	102527	TUFCOTE, EMBOSSED	1
29.	26555	AXLE, WHEEL	1
30.	4109	●WHEEL	2
31.	26603	RING, RETAINER	2
32.	180626	●FILTER, MOTOR	1

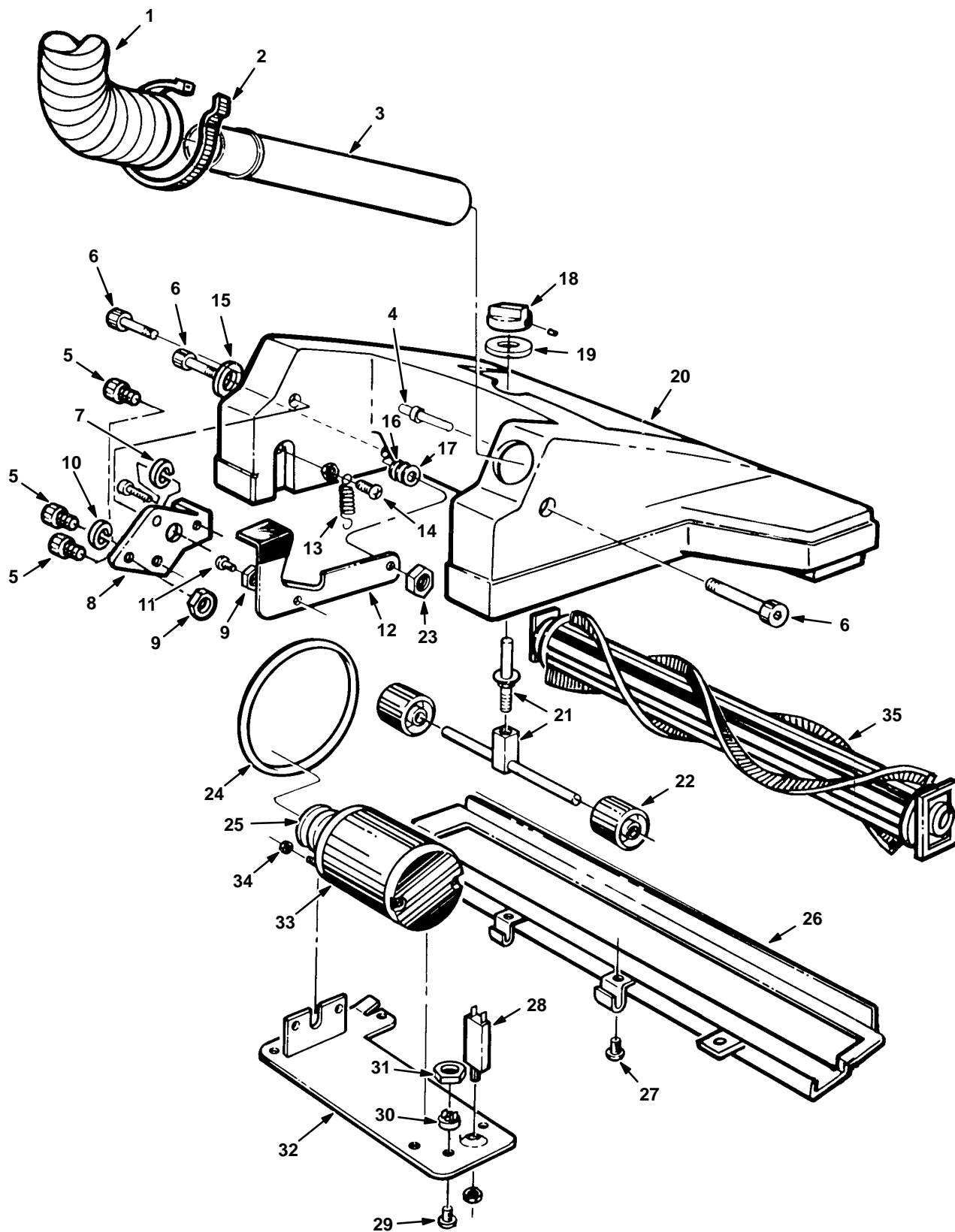
● RECOMMENDED STOCK ITEMS

REF	PART #	DESCRIPTION	QTY.
33.	130418	●MOTOR, VAC, 120V (1600 & 2200)	1
	190155	●-BRUSHES, CARBON (2/PK)	2
	130412	MOTOR, VACUUM, 230V/240V	1
	190159	-BRUSHES, CARBON (2/PK)	2
	600383	-RFI FILTER, NOT SHOWN (EMC MODEL)	1
	130395	MOTOR, VACUUM, 100V	1
	190161	-BRUSHES, CARBON (2/PK)	2
34.	100122	●GASKET, MOTOR	1
35.	240033	RING, MOUNT	1
36.	140749	SCREW, 10-32X.75	3
37.	100139	●GASKET, EXHAUST	1
38.	608511	PLATE, EXHAUST, BLACK	1
39.	608510	COVER, EXHAUST, BLACK	1
40.	140900	SCREW, 10-24X.75	3
41.	140511	NUT, ACORN 10-24	6
42.	230244	HINGE	1
43.	140837	SCREW,10-24X.375	3
44.	140511	NUT, ACORN 10-24	2
45.	230920.BK	HOOK, CORD	1
46.	140837	SCREW, 10-24	2
47.	608509	PANEL, REAR COVER, BLACK	1
48.	100154	●GASKET, REAR DOOR	1
49.	140823	SCREW, 10-24X5/8	3

**DECAL LIST (Not Shown)
LISTA DE CALCOMANÍAS (No Se Muestran)**

REF	PART #	DESCRIPTION	QTY.
N/S	120618	DECAL, WARNING, DRY VACUUM...	1
N/S	120374	DECAL, IMPORTANT, KEEP VACUUM...	1
N/S	120299	DECAL, BRUSH HEIGHT ADJ. SYMBOLS	1
N/S	120300	DECAL, ON/OFF SWITCH	1
N/S	120615	DECAL, WARNING WET RUG	1
N/S	120876	DECAL, "CASTEX"	1
N/S	608008	DECAL, UV-1600HD	1
N/S	608009	DECAL, UV-2200HD	1

LOWER UNIT
PIEZAS DE INFERIOR



**LOWER UNIT
PIEZAS DE INFERIOR**

REF	PART #	DESCRIPTION	QTY.
1.	160406	●HOSE, W/CUFF, 2" (2200)	1
	160407	HOSE, W/CUFF, 1.5" (1600)	1
2.	611205000	CLAMP, HOSE	1
3.	230555	TUBE, BASE (2200)	1
	240177	TUBE, BASE (1600)	1
4.	140706	RIVET, POP	1
5.	602982	SCREW, .25-20X.5 BKO	3
6.	140239	SCREW, SHOULDER	3
7.	140035	WASHER, LOCK	3
8.	230557	PLATE, LATCH	1
9.	140524	NUT, KEP .25-20	2
10.	140016	WASHER, LOCK	2
11.	15860.12	SCREW, .25-20X.75	1
12.	230558	PLATE, FOOT LATCH	1
13.	140413	SPRING, LATCH	1
14.	140881	SCREW, .25-20X1.0	1
15.	140036	WASHER, FLAT	1
16.	140925	SPACER, .1875	2
17.	140027	WASHER, FLAT .3125	1
18.	130230	KNOB, HEIGHT ADJT.	1
19.	140039	WASHER, FELT	1
20.	602720	BASE, 16" (BLUE)	1
	602722	BASE, 22" (BLUE)	1
21.	700003	ASM., HEIGHT ADJT. (1600, 2200)	1
22.	26548	●ROLLERS, HT. ADJT.	4
23.	140548	NUT, .3125	1

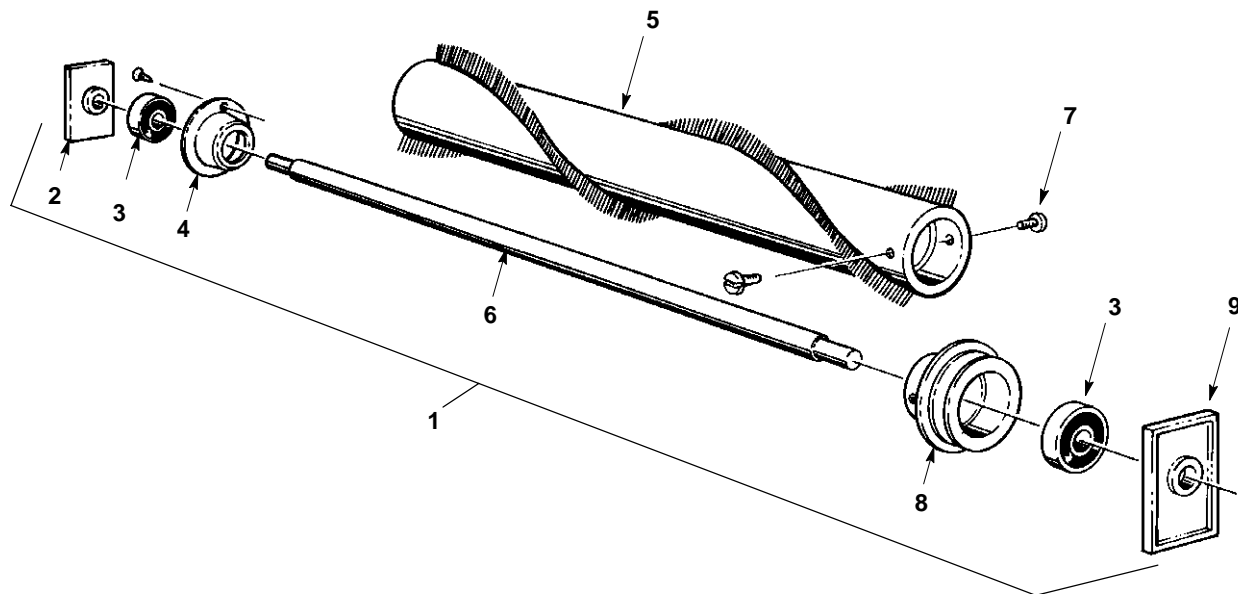
● RECOMMENDED STOCK ITEMS

REF	PART #	DESCRIPTION	QTY.
24.	100047	●BELT, BRUSH DRIVE	1
25.	26538	●PULLEY, MOTOR	1
26.	240026	PLATE, SHOE 16"	1
	230563	PLATE, SHOE 22"	1
27.	140832	SCREW, .25-20X.375	3
28.	130760	●CIRCUIT BREAKER 1.5A (120V)	1
	130747	CIRCUIT BREAKER 1.2A (230V/240V)	1
29.	140829	SCREW, 6-32X1	1
30.	130304	●RECTIFIER (120V)	1
	130288	RECTIFIER (230V/240V)	
31.	140539	NUT, KEP 6-32	1
32.	240027	PLATE, BRUSH MOTOR MOUNT	1
33.	130472	MOTOR, BRUSH 230V	1
	190154	-CARD, BRUSH	1
	575729	MOTOR, BRUSH 240V (EMC MODEL)	1
	600694	-FILTER, RFI, NOT SHOWN (EMC MODEL)	1
	600693	-CHOKE, NOT SHOWN (EMC MODEL)	1
	130471	●MOTOR, BRUSH 120V	1
	190150	●-CARD, BRUSH	1
34.	140518	NUT, KEP 10-32	2
35.	240035	ASM., BRUSH, 16"	1
	700865	ASM., BRUSH, 22"	1

**ACCESSORIES (Not Shown)
ACCESORIOS (No Se Muestran)**

REF	PART #	DESCRIPTION	QTY.
N/S	900036	●BAGS, VACUUM, PAPER	10
N/S	900016	●BAG, VACUUM, CLOTH	1
N/S	190048	●KIT, ATTACHMENT TOOL Includes: Crevice Tool, Dusting Brush, Upholstery Tool, 5'/1.5m Vacuum Hose and Extension Wand.	1
N/S	190973	●KIT, CLEAN AIR EXHAUST FILTER	1

BRUSH BREAKDOWN
CONJUNTO DE CEPILLO

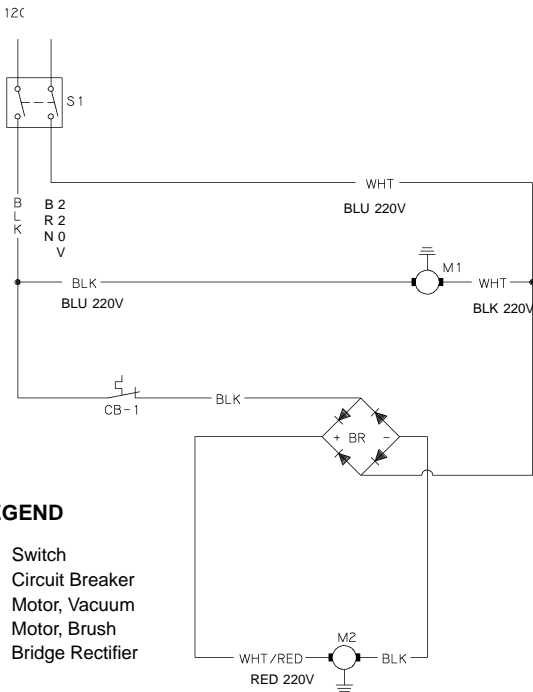


REF	PART #	DESCRIPTION	QTY.
1.	240035	ASM., BRUSH, 16"	1
	700865	ASM., BRUSH, 22"	1
2.	103016	BLOCK, (W/ SLOT)	1
3.	140125	●BEARING, BRUSH	2
4.	240024	CUP, BEARING	1
5.	240003	●BRUSH, CYLINDER 16"	1
	240066	●BRUSH, CYLINDER 22"	1

REF	PART #	DESCRIPTION	QTY.
6.	26546	SHAFT, BRUSH 16"	1
	28069	SHAFT, BRUSH 22"	1
7.	140835	SCREW, 10-24X.375	2
8.	240031	●PULLEY, BRUSH	1
9.	103017	●BLOCK, BEARING	1

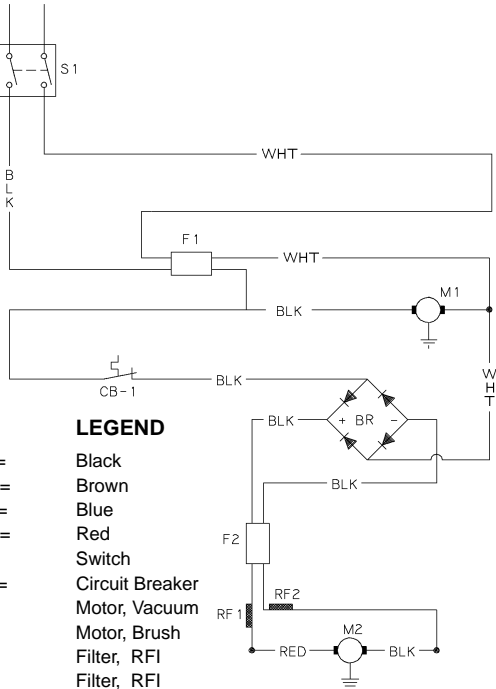
● RECOMMENDED STOCK ITEMS

120V/230V LADDER



REF	LEGEND
S1	= Switch
CB1	= Circuit Breaker
M1	= Motor, Vacuum
M2	= Motor, Brush
BR	= Bridge Rectifier

240V LADDER (EMC MODEL)



REF	LEGEND
BLK	= Black
BRN	= Brown
BLU	= Blue
RED	= Red
S1	= Switch
CB1	= Circuit Breaker
M1	= Motor, Vacuum
M2	= Motor, Brush
F 1	= Filter, RFI
F 2	= Filter, RFI
BR	= Bridge Rectifier
RF1	= Choke, RFI
RF2	= Choke, RFI
WHT	= White

120V/230V WIRING

