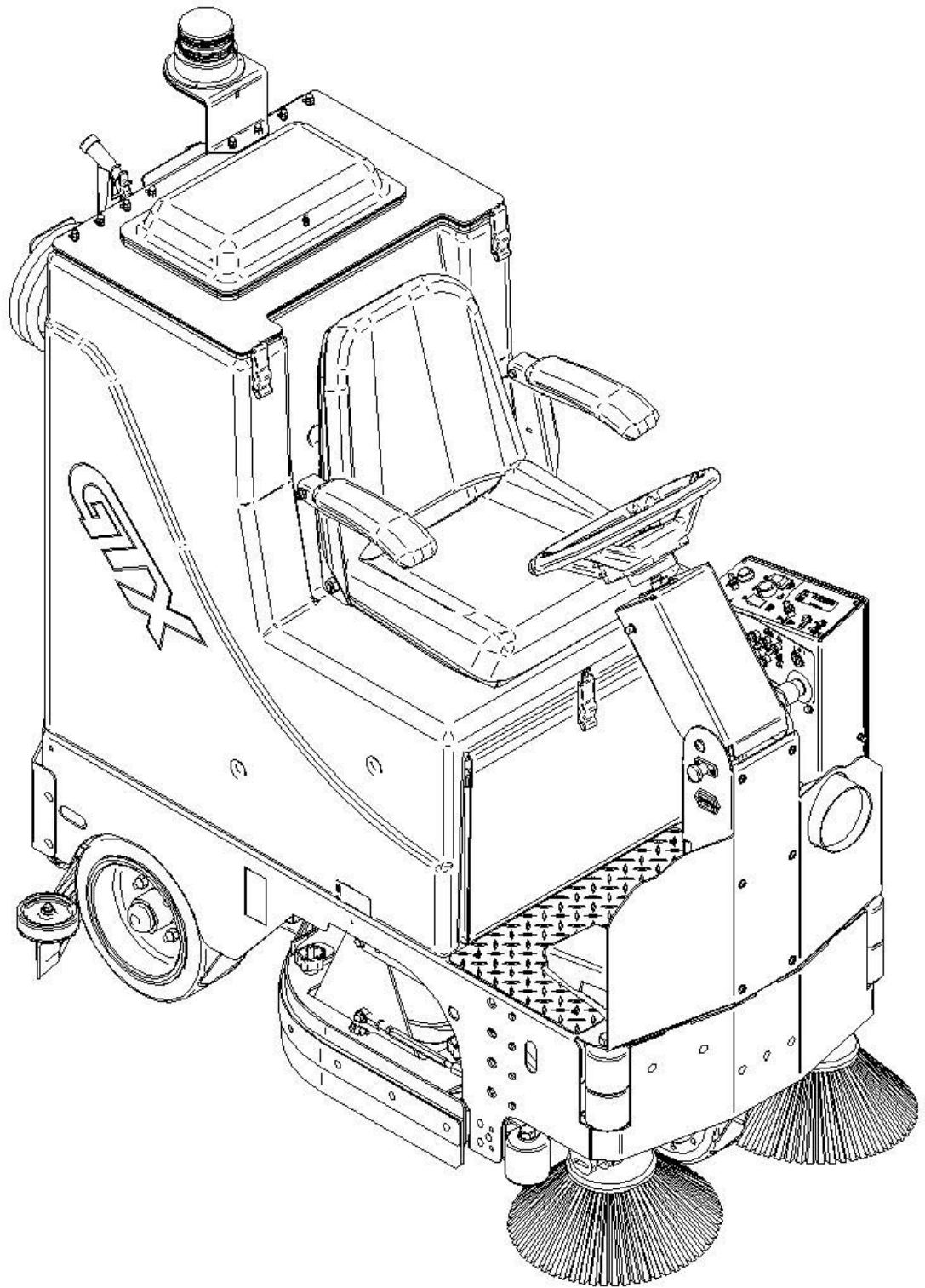


GTX SERIES



R.P.S. Corporation
P.O. Box 368
Racine, Wisconsin 53401

Phone:
Fax:

1-800-634-4060
1-866-901-3335

Soap Choices	4
Front Wheel Assembly	6
Side Broom Assembly (optional)	8
Front Wheel, Side Brooms, and Side Rollers	10
Disk Decks.....	12
Disk Shrouds	14
Cylindrical Wipers.....	15
Cylindrical Deck.....	16
Cylindrical Door	18
Attaching Decks	20
Squeegee Trail Arm.....	22
32 Inch Squeegee	24
35 Inch Squeegee	26
38 Inch Squeegee	28
45 Inch Squeegee	30
Squeegee Trail Arm and Rear Axle	32
Vac Motor	34
Vac Motor and Solution Hoses	36
Tank Lid	38
Tank Baffle.....	40
Solution/Recovery Tank.....	42
Attaching Tank and Batteries.....	44
Central Command	46
Steering Upright	48
Central Command and Steering Tower	50
Disk Side Doors.....	52
Cylindrical Side Doors	53
Vac Wand	54
Spray Jet	55
SUDS System.....	56
Charger Table	58



Industrial • Commercial • Environmentally Safe

TRADITIONAL DRUMS / TOTES



DEMO / RENTAL QUARTS



WALL-MOUNTED SUPERCON



ONBOARD AUTO DISPENSING



Onboard Availability

FORMULAS

SUDS
Approved



707 Citrus Green An environmentally cleaner that works! It is a solvent free degreaser that works on oil, carbon, even rubber marks. Incorporates the latest technology in "Green Cleaning".

SUDS
Approved



733 Low pH Safe on most surfaces not harmed by water alone. Low scale formula to prevent alkali buildup in cleaning equipment, while offer detergent to emulsify oil.

SUDS
Approved



755 High Power Ideal solvent fortified degreaser. This butyl based detergent is penetrating, fast acting, and deep cleaning with built-in corrosion inhibitors. It is our most effective degreaser.

SUDS
Approved



757 Gloss A high gloss detergent designed to dry to a bright shine. It is ideal for use on finished surfaces, tile, epoxy, or enamel. The special formula removes salt residue, scuff marks and dirt, while leaving no residue behind. The result is a clean, non-slip surface, ready for immediate use.

SUDS
Approved



797 HD The Heavy Duty concentrate is a Super alkaline detergent, formulated for heavy soil, grease, and thick buildup. Popular in machine shops, auto and truck repair, and other facilities with oil, hydraulic fluids and cutting oils.

***Below Sold in bulk concentrate only. Not available as a SuperCon, PowerDose or SUDS product.*

727 Pretreat** Designed to quickly remove tire marks, oil stains and buildup that has accumulated. This pretreat uses the powerful cleaning of natural citrus extract and is intended to be used directly on the floor at 100% concentrate.

744 Tough Stuff** Ideal for applications with Hard Water problems. It is safe to use in pressure washers and automatic scrubbers. The formulation enhances soil suspension, digests oil and grease, while supporting extra water conditioner.

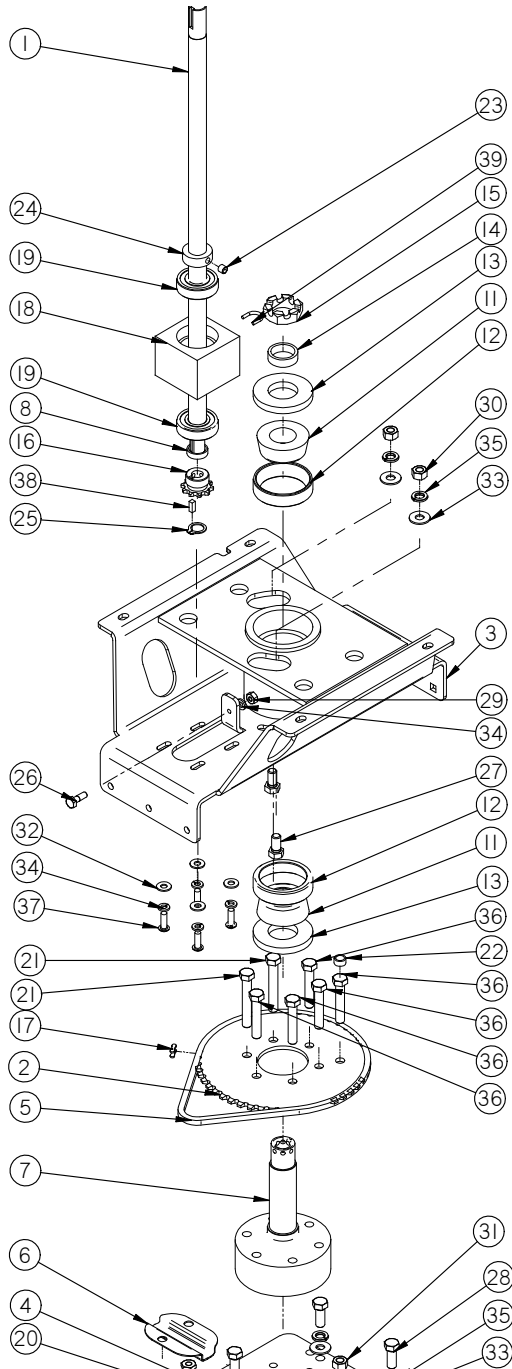
Distributed by:

PowerCat
P.O. Box 503
Racine, WI 53404-0503
Phone: 414-745-9337
Fax: 262-632-1630
www.powercatsolutions.com

PowerCat, LLC, 2008.

6

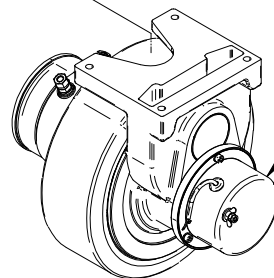
Front Wheel Assembly



TO ORDER MOTOR SEPARATELY
USE PART #250-6181M

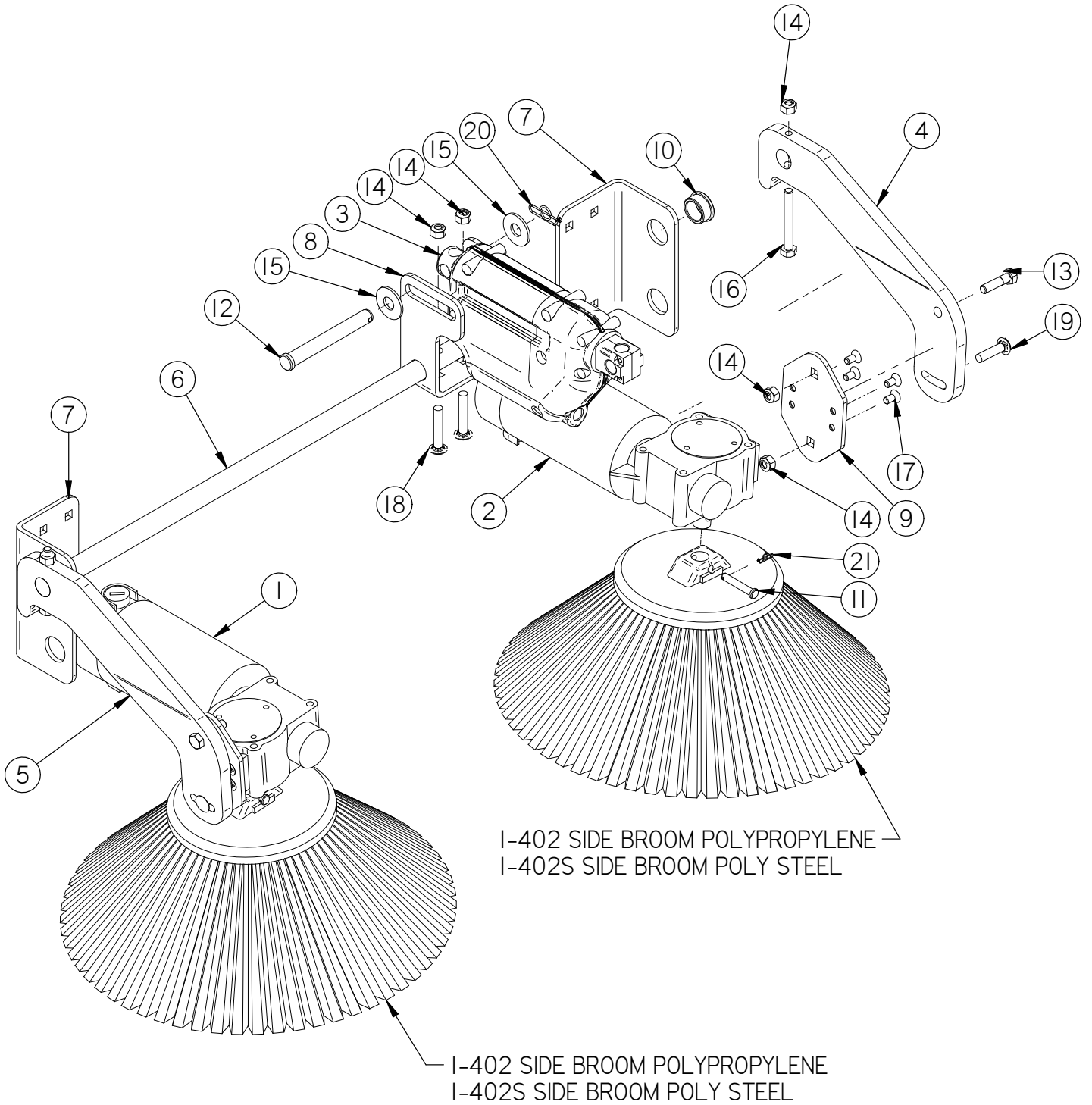
TO ORDER COMPLETE WHEEL ASS'Y
USE PART #250-6181 - BLACK,
#250-6185 - GREY

TO ORDER BRAKE SEPARATELY
USE PART #290-9566



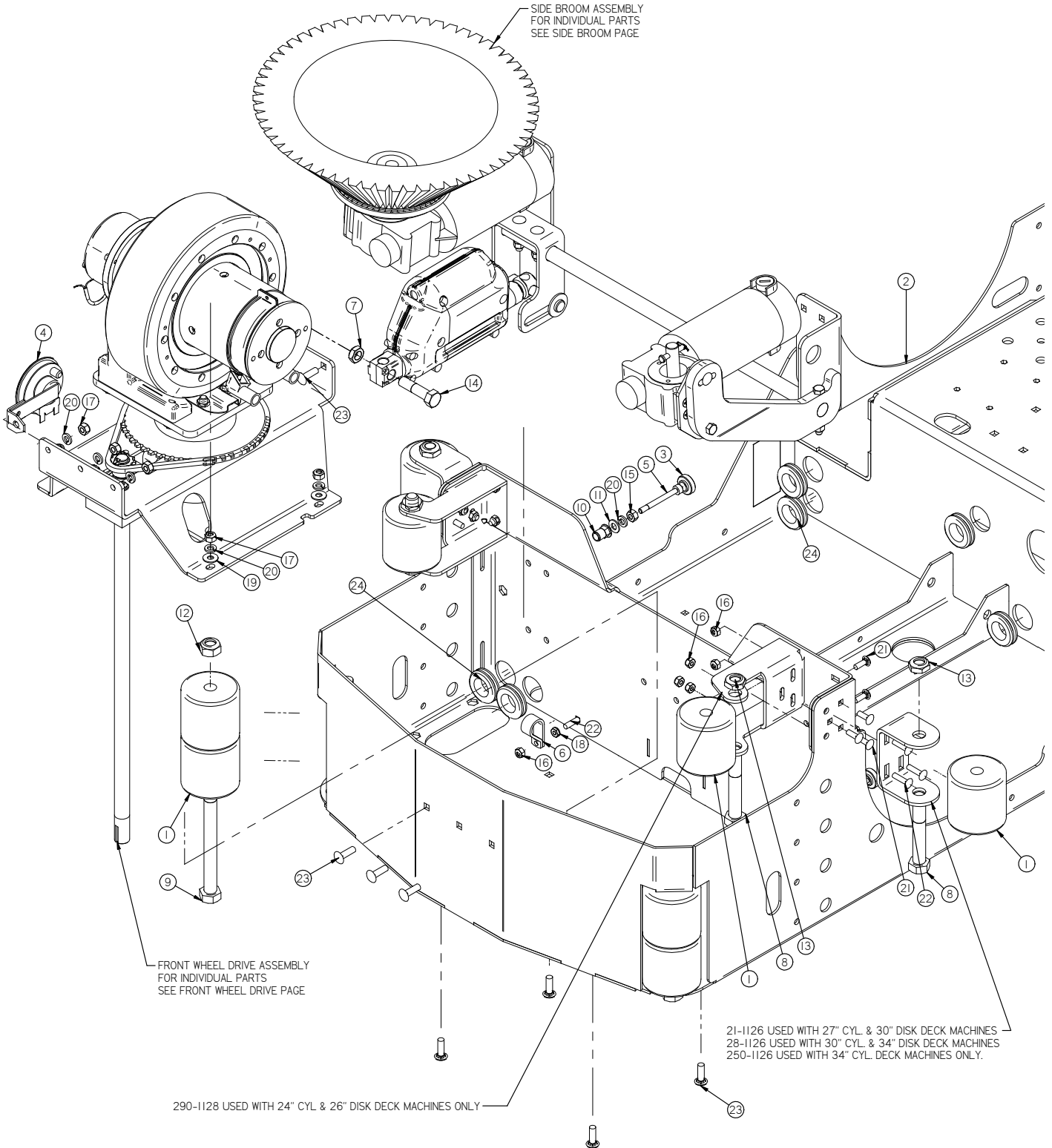
TO ORDER BRAKE SEPARATELY
USE PART #355-7323

Item	Part No.	Part Description	Qty.
1	250-7120	STEERING SHAFT, LOWER	1
2	250-7314	60 TOOTH STEERING SPROCKET	1
3	250-7315	DROP PLATE	1
4	250-7326	PIVOT PLATE	1
5	250-7327	STEERING CHAIN	1
6	250-7328	WIRE GUIDE	1
7	250-7332	STEERING SHAFT	1
8	290-1218	SPACER 7/8" OD. X 3/4" ID X 1/4" LG	1
9*	290-9566	36V ELECTRIC BRAKE	1
10*	355-6185	10" FRONT WHEEL DRIVE	1
11	37-7317	TAPERED ROLLER BEARING	2
12	37-7318	BEARING CAP	2
13	37-7319	STEERING SHAFT SEAL	2
14	37-7320	PRE LOAD SLEEVE	1
15	37-7321	SLOTTED NUT, 2.0 - 12	1
16	5-826	10 TOOTH SPROCKET	1
17	5-831	MASTER LINK	1
18	8-723	BEARING BLOCK	1
19	8-723B	BEARING	2
20	H-0171004	JNYL 3/8- 24 SS	2
21	H-0172951	HCS 3/8"- 24 X 2-1/2" SS FULL THREADED	2
22	H-05233	PVC TUBING	1
23	H-25435	SSS CP 5/16" X 1/4"	1
24	H-33376	SET SCREW SHAFT COLLAR, 3/4" ID X 9/16 LG	1
25	H-68013	SNAPRING 5/8"	1
26	H-70003	HCS 1/4"-20 X 5/8" SS	1
27	H-70103	HCS 3/8"-16 X 3/4" SS	2
28	H-70105	HCS 3/8"- 16 X 1" SS	4
29	H-70710	HN 1/4"- 20 SS	1
30	H-70712	HN 3/8"-16 SS	2
31	H-70732	HN 3/8"- 24 SS	1
32	H-71013	FW 1/4" X 5/8" SS	4
33	H-71017	FW 3/8" X 7/8" SS	6
34	H-71063	LW 1/4" SS	5
35	H-71067	LW 3/8" SS	6
36	H-72949	HCS 3/8"- 24 X 2" SS FULL THREADED	5
37	H-73754	BHSCS 1/4 - 20 X 3/4" SS	4
38	H-KI432	3/16" X 1/2" KEY	1
39	M-938IT24	S-HOOK	1

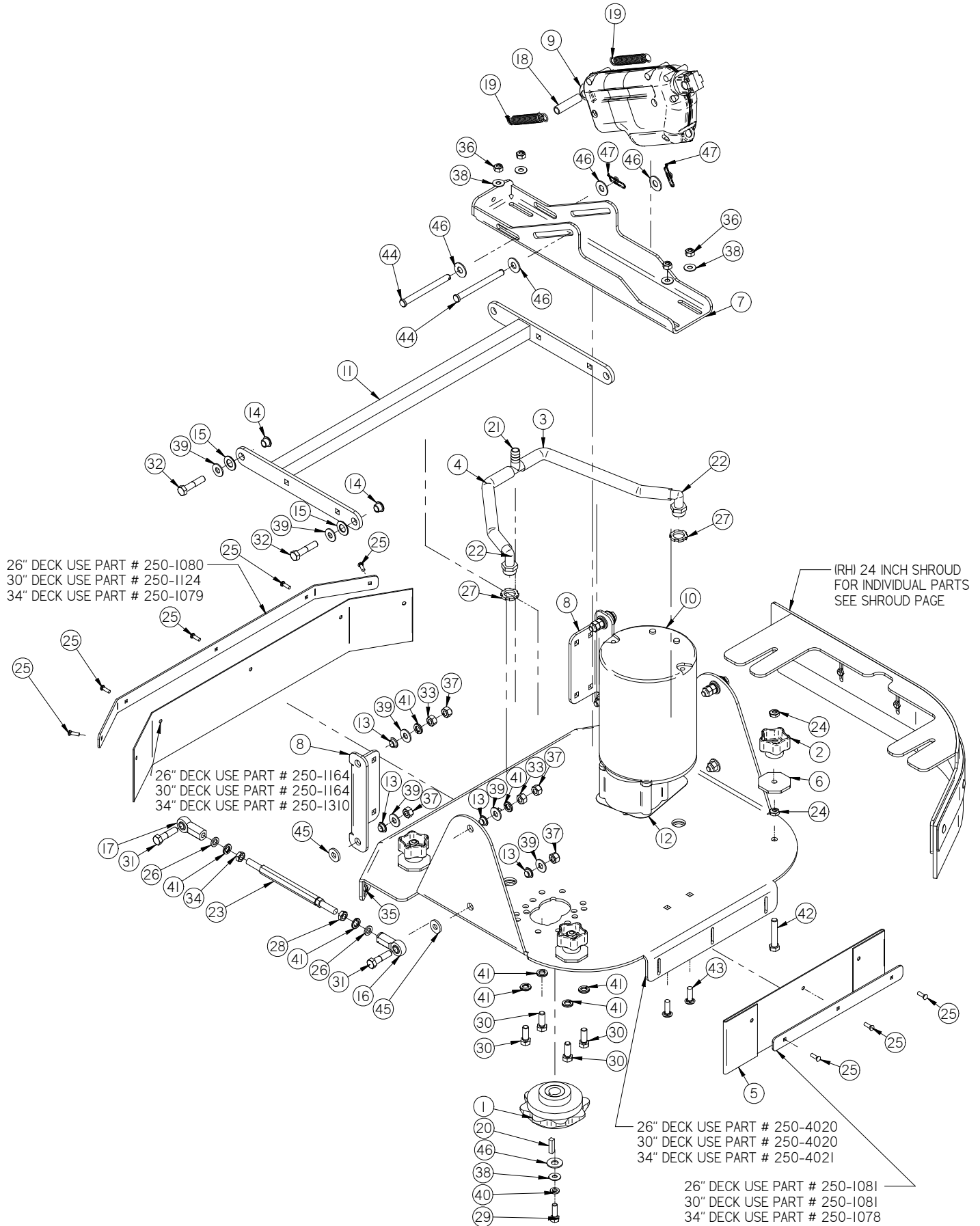


Item	Part No.	Part Description	Qty.
1	250-0220	(RH) SIDE BROOM MOTOR, 36V 106 RPM	1
2	250-0221	(LH) SIDE BROOM MOTOR, 36V 106 RPM	1
3	250-2240	2" STROKE 36V ACTUATOR 450 LB LOAD	1
4	250-4420	SIDE BROOM LIFT ARM (LH)	1
5	250-4421	SIDE BROOM LIFT ARM (RH)	1
6	250-4620	SIDE BROOM SUSPENSION AXLE SHAFT	1
7	250-4630	SIDE BROOM AXLE BRACKET	2
8	370-4422	SIDE BROOM PIVOT	1
9	390-1170	SIDE BROOM MTG PLATE	2
10	4-4230	3/4" X 1" X 1/2" FLG BEARING	2
11	H-0156730	1/4" X 1 1/2" CLEVIS PIN	2
12	H-0156777	1/2" X 4" CLEVIS PIN	1
13	H-70057	HCS 5/16"- 18 X 1-1/4"	2
14	H-70861	NYLOK 5/16" - 18 SS	8
15	H-71021	FW 1/2" USS	2
16	H-71183	HCS 5/16"- 18 X 2-1/2" FULL THREAD SS	2
17	H-72704	FHP 1/4"- 20 X 1/2" SS	8
18	H-74401	CB 5/16"- 18 X 1-3/4" SS	2
19	H-74431	CB 5/16"- 18 X 1-1/4" SS	2
20	H-RUE22	1/2" RUE RING COTTER	1
21	H-RUE8	RUE RING COTTER	2

10 Front Wheel, Side Brooms, and Side Rollers

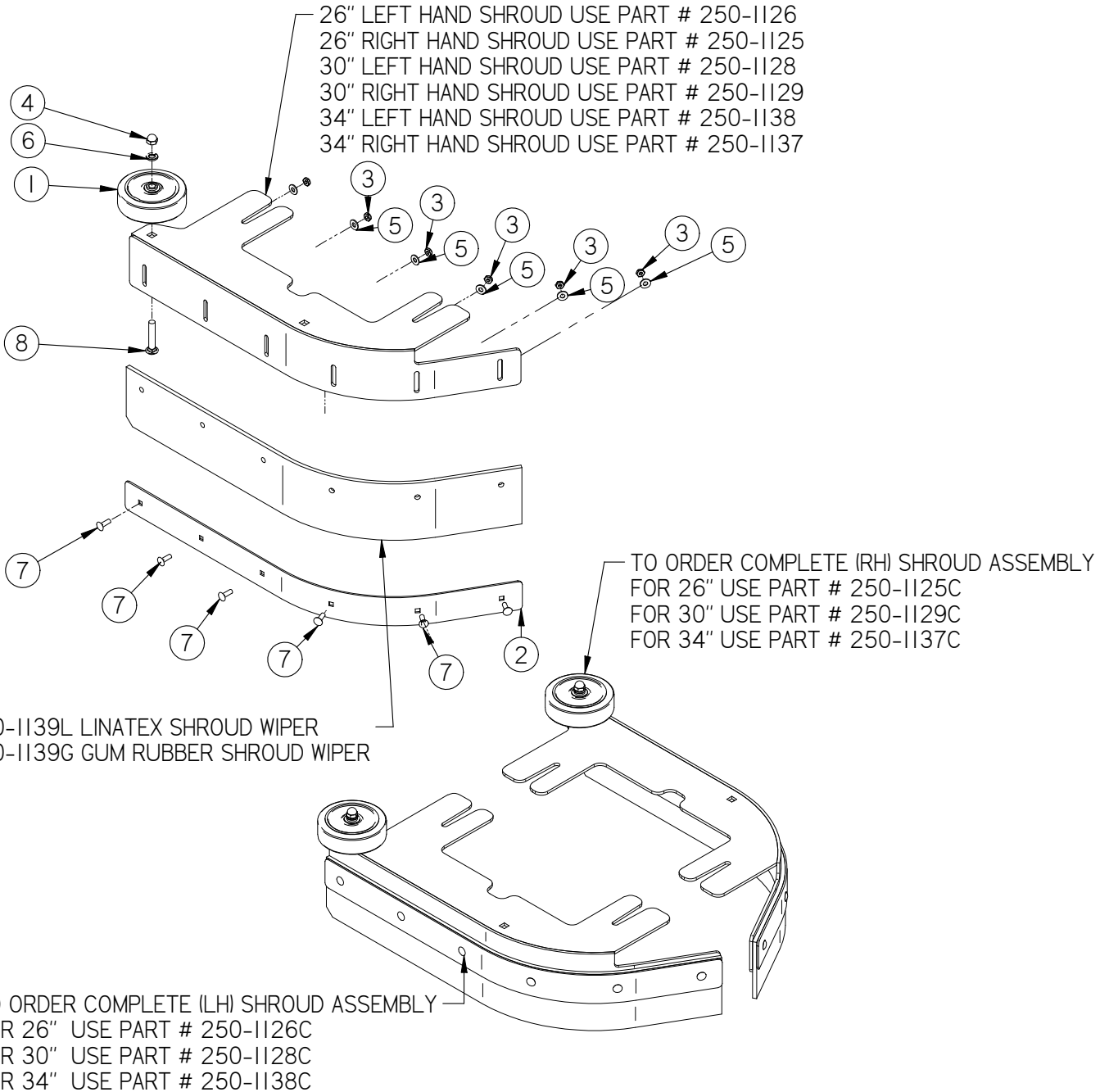


Item	Part No.	Part Description	Qty.
1	21-1127	ROLLER	8
2	250-1000	MAIN FRAME	1
3	4-457	ADJUSTMENT KNOB	2
4	8-294	HORN	1
5	H-01205	SHCS 5/16"-18 X 2-1/2	2
6	H-0127294	RUBBER LOOP CLAMP, 3/4"	1
7	H-0129159	JNYL, 1/2"-13, 18-8 SS	1
8	H-11319	HB 5/8"- 11 X 4"	4
9	H-13327	HB 5/8"- 11 X 7.0"	2
10	H-312HCN	HCN 5/16"-18	1
11	H-33080	FW 5/16" SS	1
12	H-37036	NYL 5/8"- 11	2
13	H-37038	JNYL 5/8"- 11	4
14	H-70211	HCS 1/2"-13 X 2.0" SS	1
15	H-70711	HN 5/16"- 18 SS	1
16	H-70860	NYLOK 1/4"- 20 SS	11
17	H-70861	NYLOK 5/16" - 18 SS	7
18	H-70925	KN 1/4-20 S/S	1
19	H-71015	FW 5/16" X 3/4" SS	4
20	H-71065	LW 5/16" SS	8
21	H-74419	CB 1/4"- 20 X .75" SS	10
22	H-74420	CB 1/4"- 20 X 1.0" SS	9
23	H-74430	CB 5/16"- 18 X 1" SS	10
24	H-9307K74	GROMMET, 1" ID X 1-3/4" OD BUNA-N	7

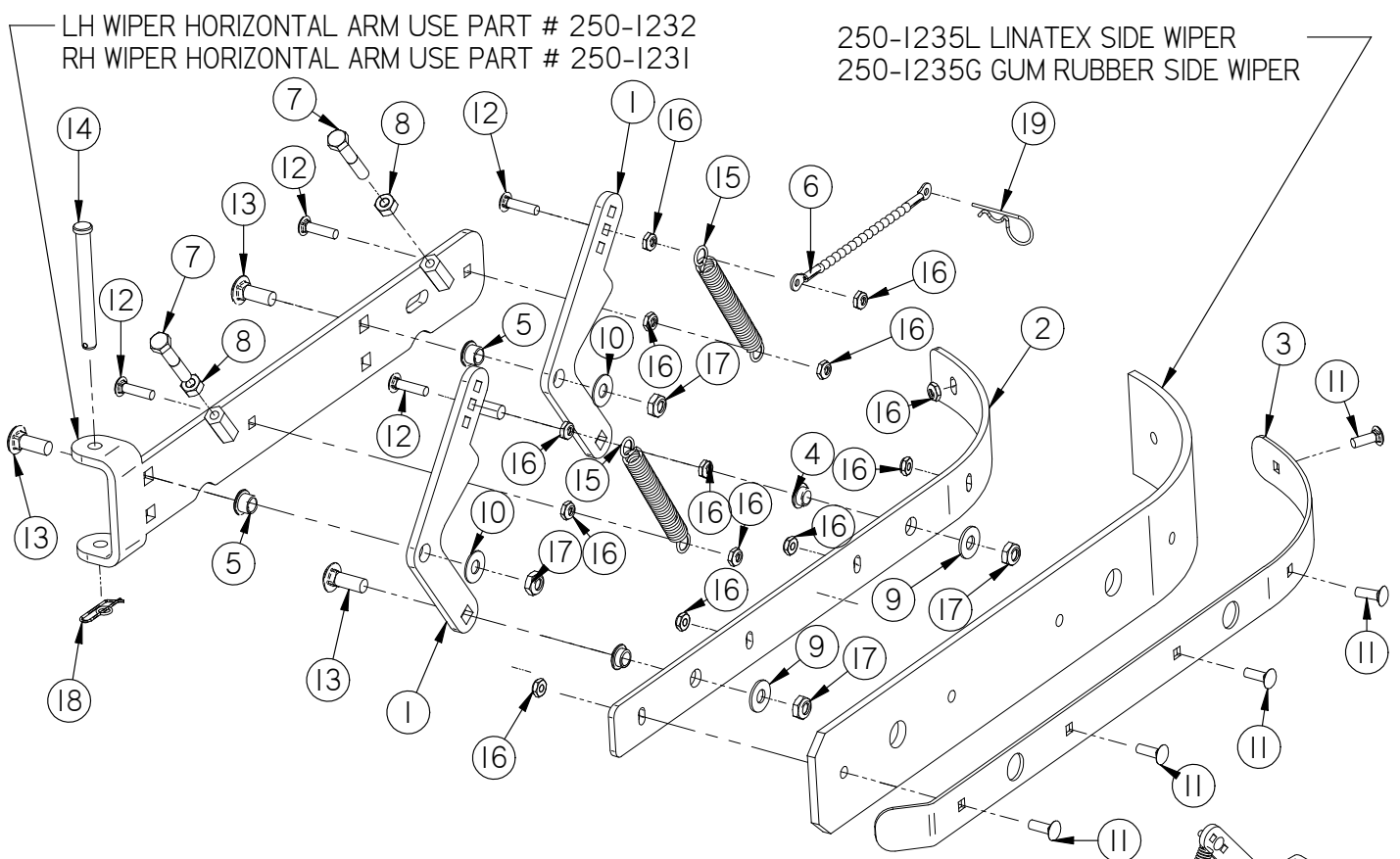


Item	Part No.	Part Description	Qty.
1	21-5000	BRUSH DRIVER	2
2	21-7205	STAR KNOB	4
3	250-0118	1/2 ID X 12-1/2" HOSE	1
4	250-0118	1/2 ID X 12-1/2" HOSE	1
5	250-1078	26/30 REAR DECK CURTAIN	1
6	250-1084	SHROUD ADJUSTMENT KNOB	4
7	250-1103	DISK SCRUB DECK BRACKET	1
8	250-1265	SCRUB ARM BRACKET	2
9	250-2210	4" STROKE 36V ACTUATOR 1000 LB LOAD	1
10	250-2220	36V MOTOR 3/4 HP X 300 RPM	2
11	250-9586	LATERAL ARM	1
12	253-1140	BRUSH MOTOR CAP	2
13	290-1233	3/8" ID, 1/2" OD, 1/4" LG BEARING	8
14	290-1245	3/8" ID, 1/2" OD, 3/8" LG, FLANGE BEARING	4
15	290-1247	BRONZE THRUST BEARING, .50" ID X 1.0" OD X 1/16" TH	4
16	290-9584	ROD END, 3/8-24 LEFT HAND THREAD	2
17	290-9585	ROD END, 3/8-24 RIGHT HAND THREAD	2
18	370-1081	SLEEVE BEARING	1
19	390-7712	COMPRESSION SPRING	2
20	5-431	1/4" X 1" KEY	2
21	5-446	1/2 " PLASTIC BARB TEE	1
22	5-447	1/2 NPT X 1/2" BARB ELBOW	2
23	7-842	ADJUSTABLE LATERAL ARM BODY	2
24	H-0171004	JNYL 3/8- 24 SS	8
25	H-0172519	CB #10-32 X 5/8" SS	8
26	H-02949	3/8 ID X 5/8 OD SHIM	4
27	H-07005	1/2" NPT LOCKNUT	4
28	H-36956	LH HX JAM .375-24 SS	2
29	H-70055	HCS 5/16"- 18 X 1" SS	2
30	H-70105	HCS 3/8"- 16 X 1" SS	8
31	H-70109	HCS 3/8"- 16 X 1-1/2" SS	4
32	H-70110	HCS 3/8"- 16 X 1-3/4" SS	4
33	H-70712	HN 3/8"-16 SS	4
34	H-70832	HX JAM .375-24 SS	2
35	H-70858	NYLOK #10-32 SS	8
36	H-70861	NYLOK 5/16" - 18 SS	4
37	H-70862	NYLOK 3/8"-16 SS	8
38	H-71015	FW 5/16" X 3/4" SS	6
39	H-71017	FW 3/8" X 7/8" SS	12
40	H-71065	LW 5/16" SS	2
41	H-71067	LW 3/8" SS	16
42	H-72949	HCS 3/8"- 24 X 2" SS FULL THREADED	4
43	H-74430	CB 5/16"- 18 X 1" SS	4
44	H-923903	3/8" X 4" CLEVIS PIN	2
45	H-98025	FW 3/8" GRADE 8	4
46	H-99001	FW 3/8" SS	6
47	H-RUE14	3/8" RUE RING COTTER	2

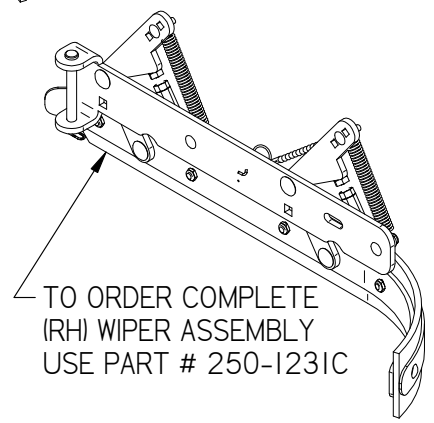
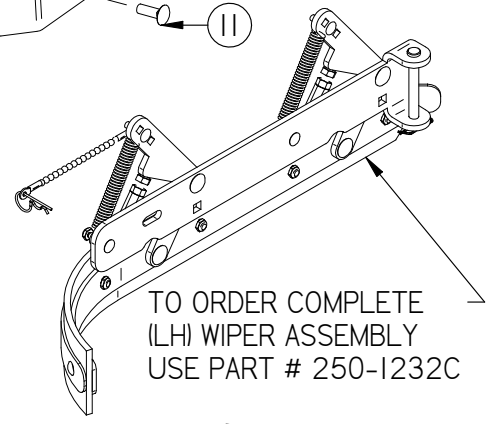
14 Disk Shrouds



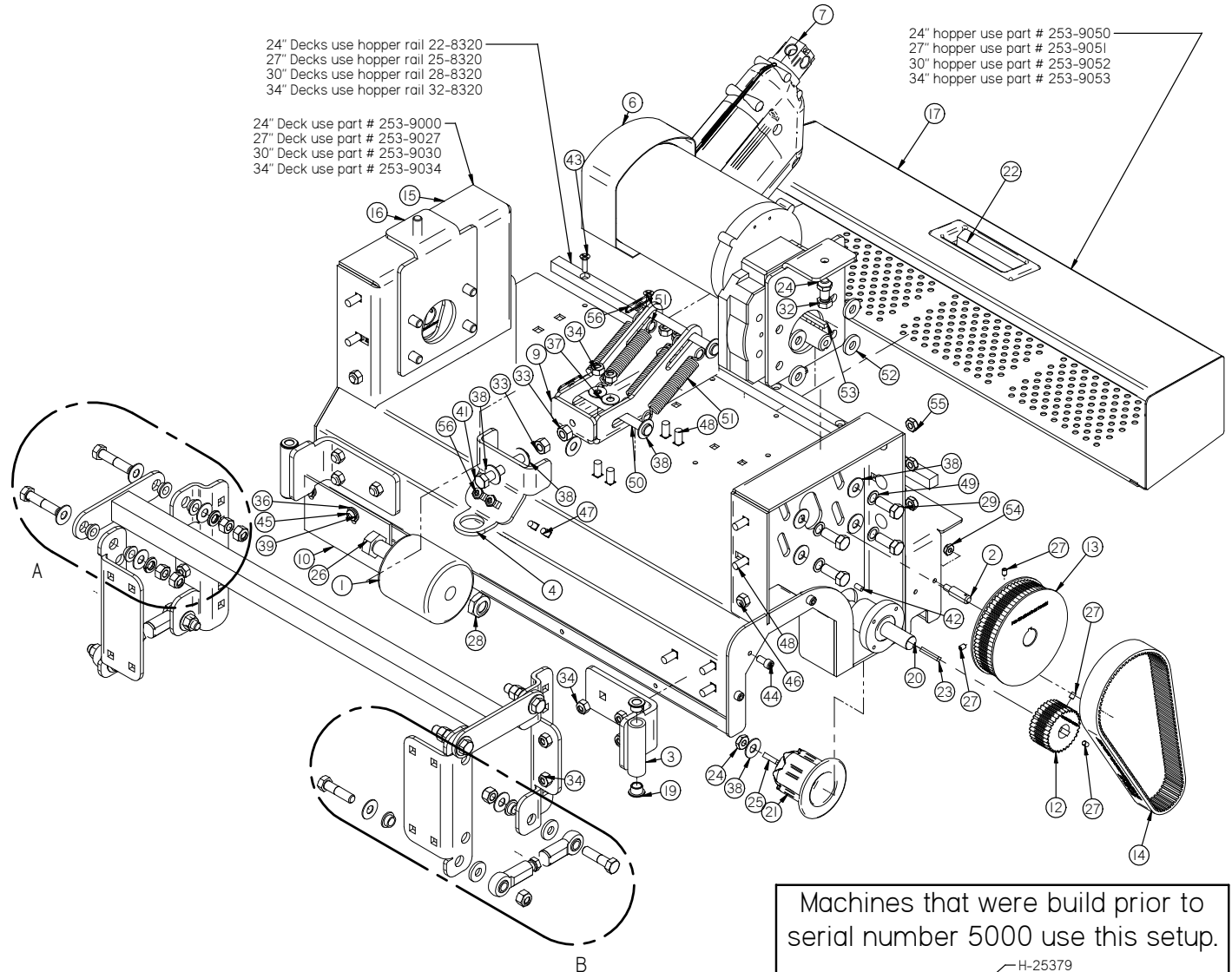
Item	Part No.	Part Description	Qty.
1	190-3030	4.0" WHEEL (GRAY)	1
2	250-1140	SHROUD CURTAIN BAND	1
3	H-37020	JNYL 1/4" - 20	6
4	H-70962	3/8-16 LC ACORN NUT	1
5	H-71013	FNW 1/4" X 5/8" SS	6
6	H-71067	LW 3/8" SS	1
7	H-74419	CB 1/4"- 20 X .75" SS	6
8	H-74439	CB 3/8"- 16 X 2.0" SS	1



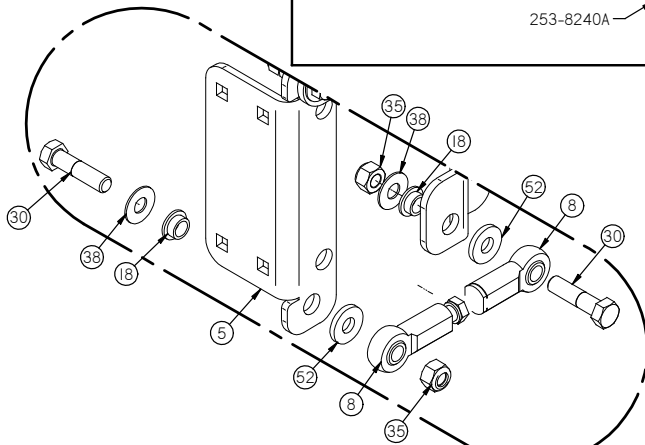
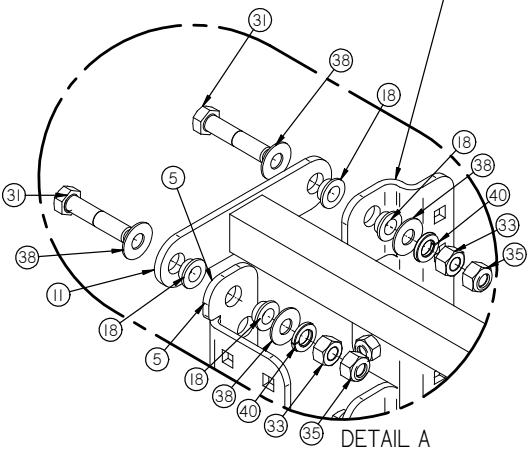
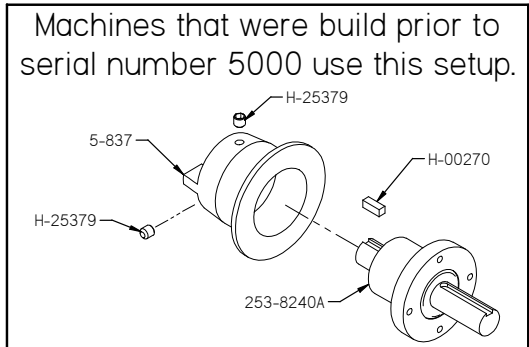
Item	Part Number	Part Description	Qty
1	250-1233	SHROUD VERTICAL ARM	2
2	250-1234	SHROUD SIDE	1
3	250-1236	WIPER BAND	1
4	290-1233	3/8" ID, 1/2" OD, 1/4" LG BEARING	2
5	290-1245	3/8" ID, 1/2" OD, 3/8" LG, FLANGE BEARING	2
6	370-4060	6" LANYARD	1
7	H-70060	HCS 5/16"- 18 X 1-3/4" SS	2
8	H-70711	HN 5/16"- 18 SS	2
9	H-71017	FW 3/8" X 7/8" SS	2
10	H-71017	FW 3/8" X 7/8" SS	2
11	H-74419	CB 1/4"- 20 X .75" SS	5
12	H-74420	CB 1/4"- 20 X 1.0" SS	4
13	H-74436	CB 3/8"- 16 X 1.0" SS	4
14	H-923902	3/8" X 4" CLEVIS PIN	1
15	H-96544	SPRING, 4-1/8" LG X 9/16" OD (42E)	2
16	H-NJ04C	JNYL 1/4" - 20 SS	13
17	H-NJ06C	JNYL 3/8- 16 SS	4
18	H-RUE14	3/8" RUE RING COTTER	1
19	M-92391A044	HAIRPIN, 5/16" - 3/8" X 1-7/16" S/S	1



16 Cylindrical Deck

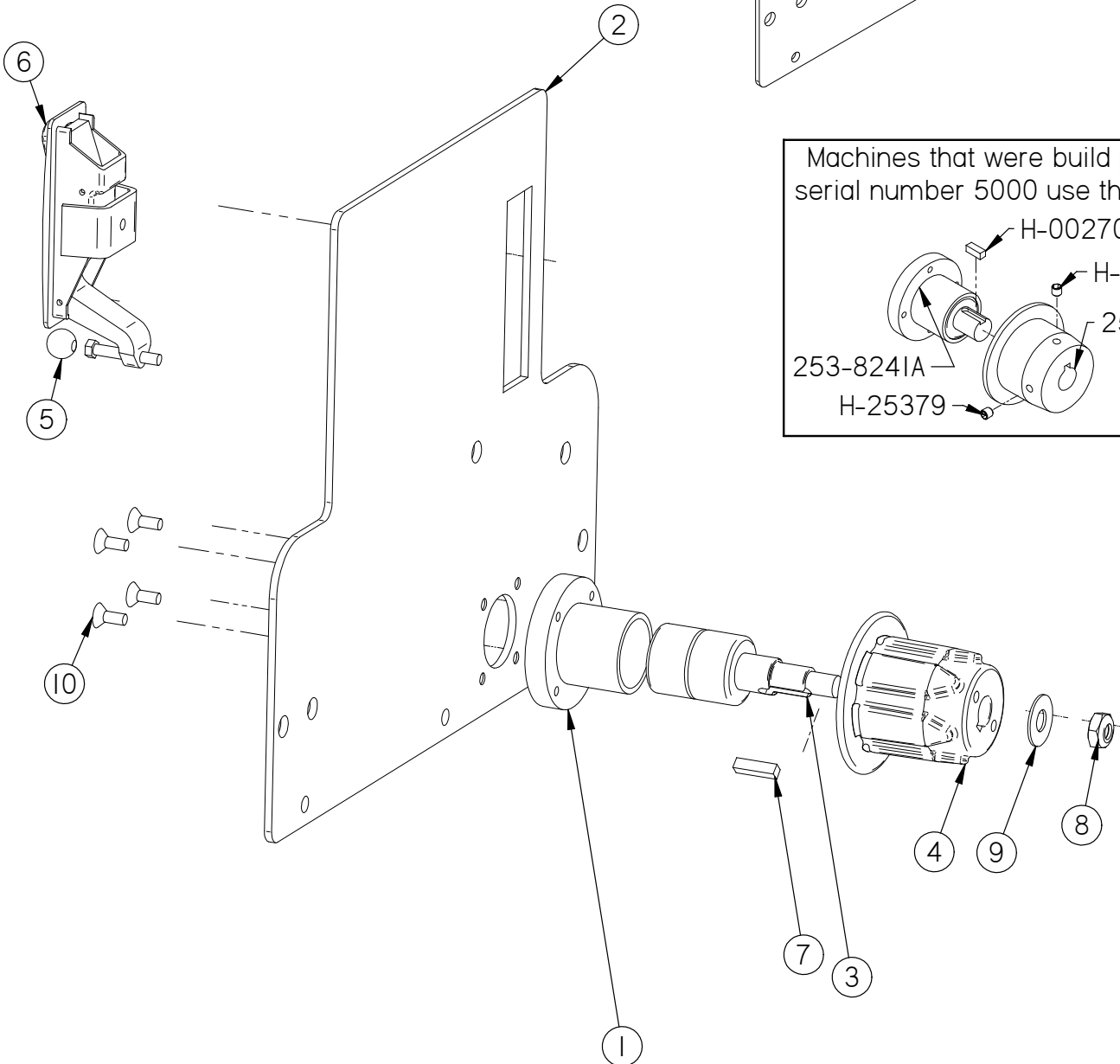
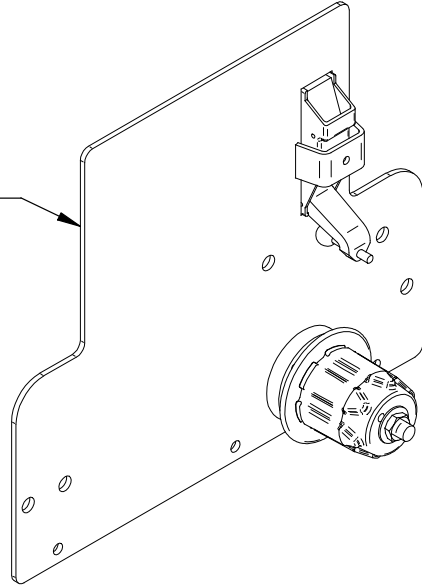


- 24" bracket use part # 250-1266
- 27" bracket use part # 250-1267
- 30" bracket use part # 250-1268 (RH)
- 30" bracket use part # 250-1269 (LH)
- 34" bracket use part # 250-1270 (RH)
- 34" bracket use part # 250-1271 (LH)

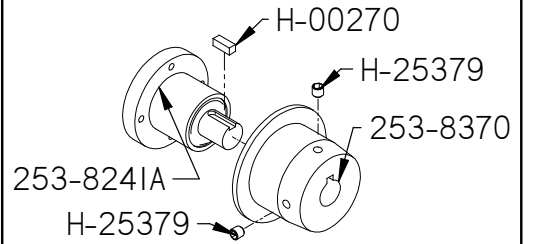


Item	Part No.	Part Description	Qty.
1	21-1127	ROLLER	1
2	250-0001	RETAINER PIN	2
3	250-1230	SHROUD HINGE	2
4	250-1237	CYLINDRICAL HIEGHT ADJUSTMENT	1
5	250-1265	SCRUB ARM BRACKET	2
6	250-201	MOTOR, 36V, 1/2 HP, 350 RPM	2
7	250-2240	2" STROKE 36V ACTUATOR 450 LB LOAD	1
8	250-8430	ADJUSTABLE LATERAL ARM	2
9	250-9003	CYLINDRICAL LIFTING BRACKET	1
10	250-9010	CYLINDRICAL CURTAIN	1
11	250-9585	250 CYL. LATERAL ARM	1
12	253-8215	TIMING SPROCKET 32 TOOTH	2
13	253-8225	TIMING SPROCKET 68 TOOTH	2
14	253-8230	565-5M-25 HI-PERFORMANCE PD PLUS BELT	2
15	253-9000	CYLINDRICAL BRUSHHEAD, 24"	1
16	253-9002	MOTOR ADJ BRACKET	2
17	253-9050	24" HOPPER	1
18	290-1233	3/8" ID, 1/2" OD, 1/4" LG BEARING	12
19	290-1245	3/8" ID, 1/2" OD, 3/8" LG, FLANGE BEARING	4
20	370-8240A	BEARING HOUSING/BEARING	2
21	370-8370	BRUSH DRIVER/IDLER (NEW STYLE)	2
22	5-849	RECESSED HANDLE	1
23	H-01125	3/16" X 1" KEY	2
24	H-0171004	JNYL 3/8- 24 SS	4
25	H-0953152	3/16" X 3/4" KEY	2
26	H-11319	HB 5/8" - 11 X 4"	1
27	H-25306	SSS CP #10-32 X 1/4"	8
28	H-37038	JNYL 5/8" - 11	1
29	H-70105	HCS 3/8" - 16 X 1" SS	8
30	H-70109	HCS 3/8" - 16 X 1-1/2" SS	4
31	H-70110	HCS 3/8" - 16 X 1-3/4" SS	4
32	H-70142	HCS 3/8" - 24 X 1" S/S	2
33	H-70712	HN 3/8"-16 SS	6
34	H-70861	NYLOK 5/16" - 18 SS	16
35	H-70862	NYLOK 3/8"-16 SS	8
36	H-71013	FW 1/4" X 5/8" SS	2
37	H-71015	FW 5/16" X 3/4" SAE SS	10
38	H-71017	FW 3/8" X 7/8" SS	28
39	H-71063	LW 1/4" SS	2
40	H-71067	LW 3/8" SS	4
41	H-71190	HCS 3/8"- 16 X 2-1/2" SS (FULLY THREADED)	1
42	H-72682	FHP #10-32 X 1/2" SS	8
43	H-72684	FHP 10-32 X 3/4" SS	6
44	H-73459	SHCS 1/4-20 X 1/2 SS	8
45	H-73752	BHSCS 1/4 - 20 X 5/8" SS	2
46	H-744??	CB 5/16"- 18 X 1/2" SS	8
47	H-74417	CB 1/4"- 20 X .5" SS	2
48	H-74429	CB 5/16"- 18 X 3/4" SS	14
49	H-90895	WASHER, SERRATED BELLEVILLE, 3/8", S/S	8
50	H-923903	3/8" X 4" CLEVIS PIN	2
51	H-96544	SPRING, 4-1/8" LG X 9/16" OD (42E)	4
52	H-98025	FW 3/8" GRADE 8	12
53	H-K14320	3/16" X 1 1/4" KEY	2
54	H-NJ04C	JNYL 1/4" - 20 SS	10
55	H-NJ05C	JNYL 5/16"- 18 SS	6
56	H-RUE14	3/8" RUE RING COTTER	2

TO ORDER WHOLE DOOR ASSEMBLY USE PART # 250-9021

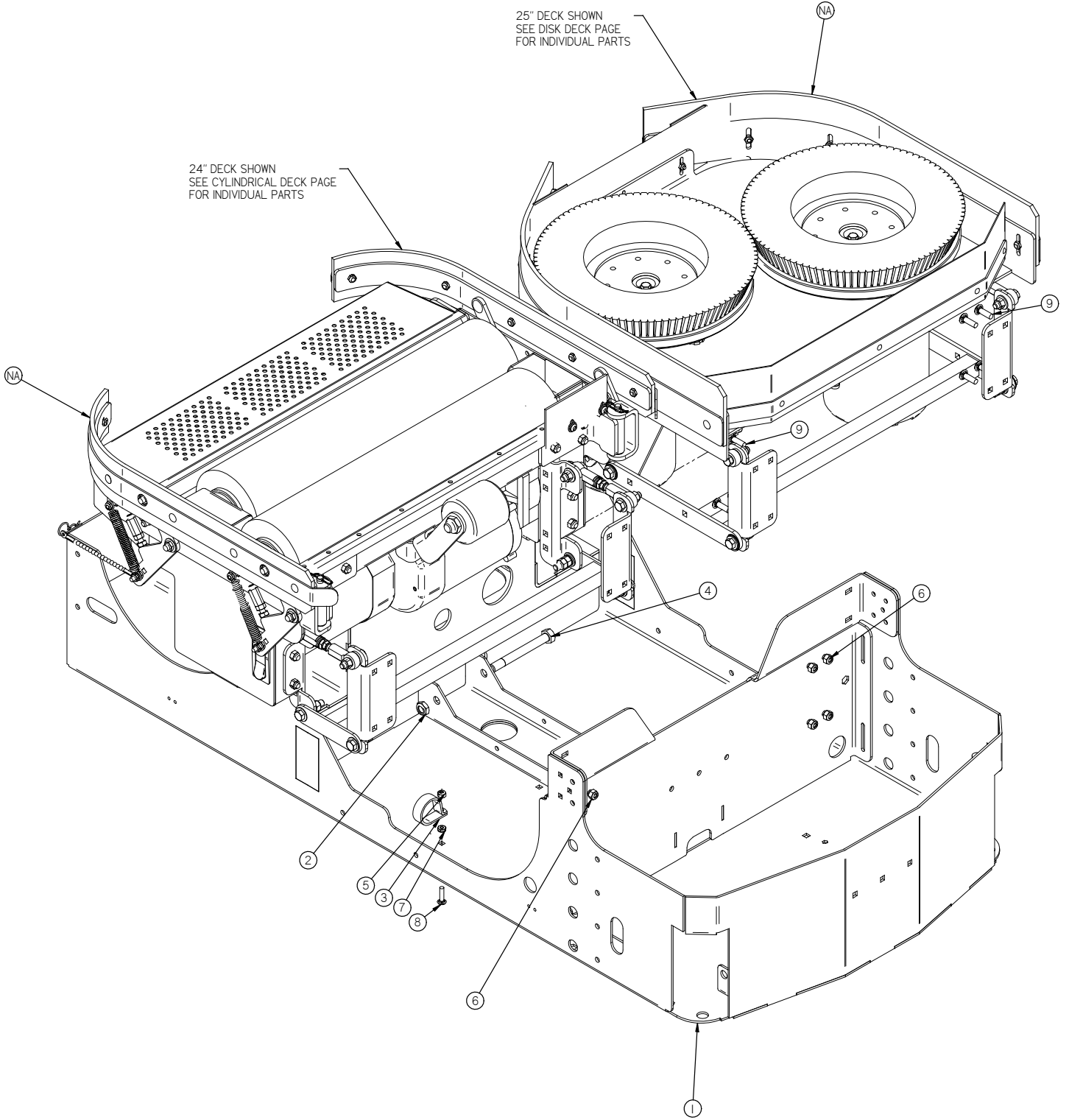


Machines that were build prior to serial number 5000 use this setup.



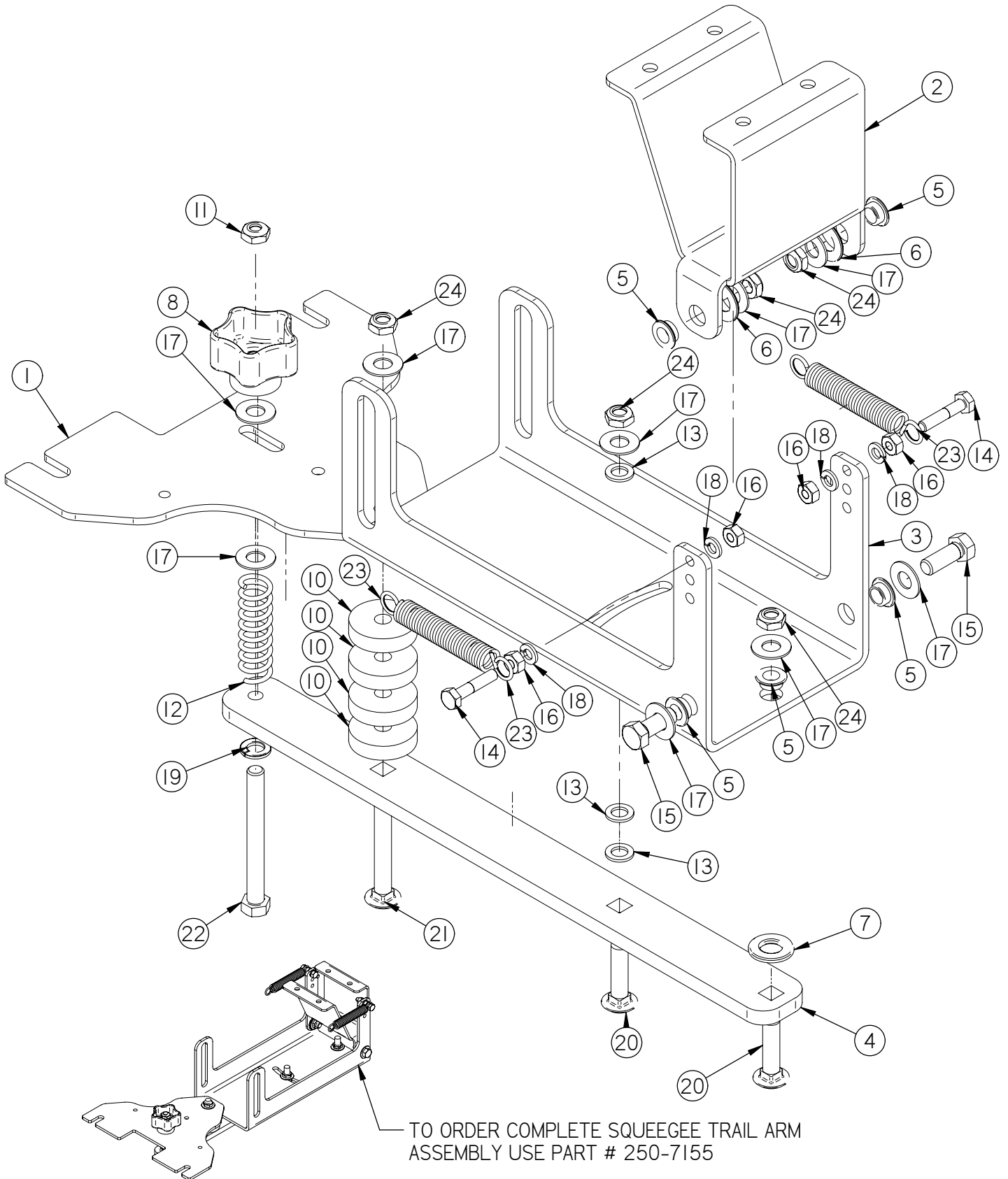
Item	Part No.	Part Description	Qty.
1	1-305	BEARING HOUSING	1
2	253-9022	DRIVE COVER	1
3	370-8241	IDLER BEARING	1
4	370-8370	BRUSH DRIVER/IDLER (NEW STYLE)	1
5	5-100	GROMMET	1
6	5-130	DOOR LATCH	1
7	H-00270	3/16" X 3/4" KEY	1
8	H-0171004	JNYL 3/8- 24 SS	1
9	H-71017	FW 3/8" X 7/8" SS	1
10	H-72682	FHP #10-32 X 1/2" SS	4

20 Attaching Decks



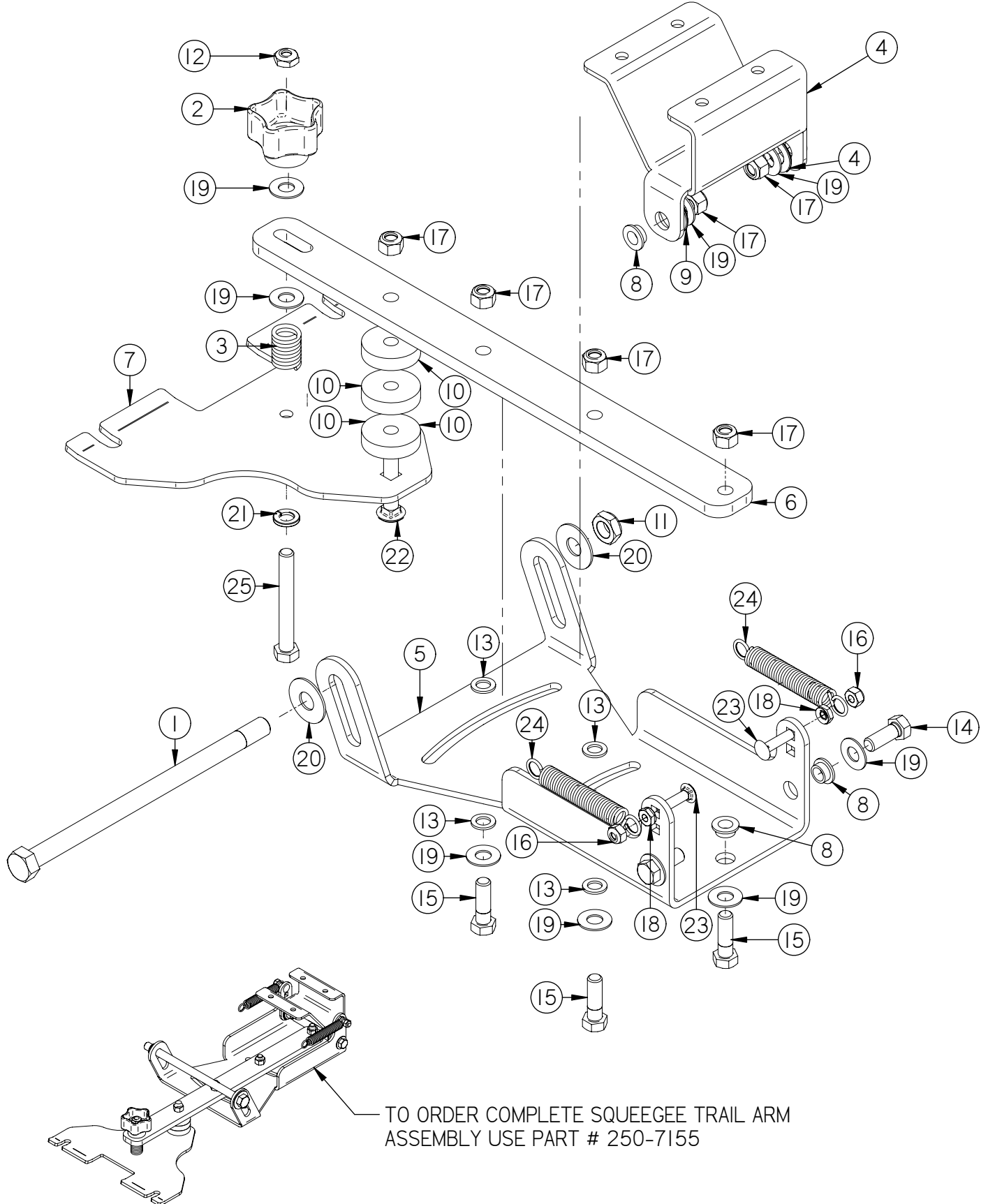
Item	Part No.	Part Description	Qty.
1	250-1000	MAIN FRAME	1
2	H-0129159	JNYL, 1/2"-13, 18-8 SS	1
3	H-3225T	RUBBER LOOP CLAMP, 1-1/2"	1
4	H-70221	HCS 1/2"-13 X 4-1/2" SS	1
5	H-70860	NYLOK 1/4"- 20 SS	1
6	H-70861	NYLOK 5/16" - 18 SS	8
7	H-70925	KN 1/4-20 S/S	1
8	H-74420	CB 1/4"- 20 X 1.0" SS	1
9	H-74430	CB 5/16"- 18 X 1" SS	8

SETUP FOR SERIAL #55324 & LOWER

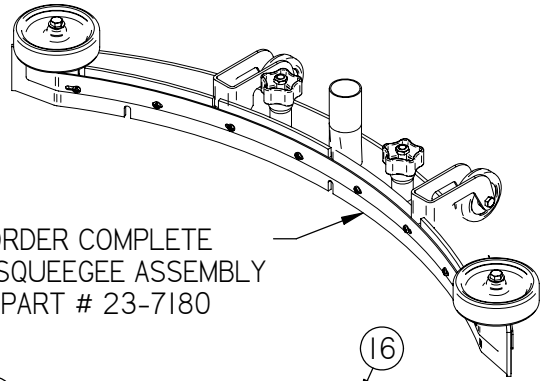


Item	Part No.	Part Description	Qty.
1	21-7610	SQUEEGEE TRIANGLE PLATE	1
2	250-5002	SQUEEGEE DRAG BRACE	1
3	250-7131	SQUEEGEE SWING PLATE	1
4	250-7150	SQUEEGEE TRAIL ARM	1
5	290-1233	3/8" ID, 1/2" OD, 1/4" LG BEARING	5
6	290-1247	BRONZE THRUST BEARING, .50" ID X 1.0" OD X 1/16" TH	2
7	290-1248	FW BRONZE 1/2" ID X 1" OD X 1/8" TH	1
8	290-5787	STAR KNOB, 3/8-24 THREAD	1
9*	360	SUB #360 32 INCH SQUEEGEE ASSEMBLY	1
10	4-446	GROMMET-3/8 ID X 1-1/2 OD X .375	4
11	H-0171004	JNYL 3/8- 24 SS	1
12	H-111	SPRING, 1/2" ID X 2-1/2" LG	1
13	H-4440024	FW 3/8" X 3/4 NYLON	3
14	H-70007	HCS 1/4"- 20 X 1.25" SS	2
15	H-70105	HCS 3/8"- 16 X 1" SS	2
16	H-70710	HN 1/4"- 20 SS	4
17	H-71017	FW 3/8 ID X 7/8 OD SS	9
18	H-71063	LW 1/4" SS	4
19	H-71067	LW 3/8" SS	1
20	H-74438	CB 3/8"- 16 X 1-1/2" SS	2
21	H-74440	CB 3/8"- 16 X 2-1/2" SS	1
22	H-92865A227	HCS 3/8"- 24 X 3.5" SS	1
23	H-96544	SPRING, 4-1/8" LG X 9/16" OD (42E)	2
24	H-NJ06C	JNYL 3/8- 16 SS	5

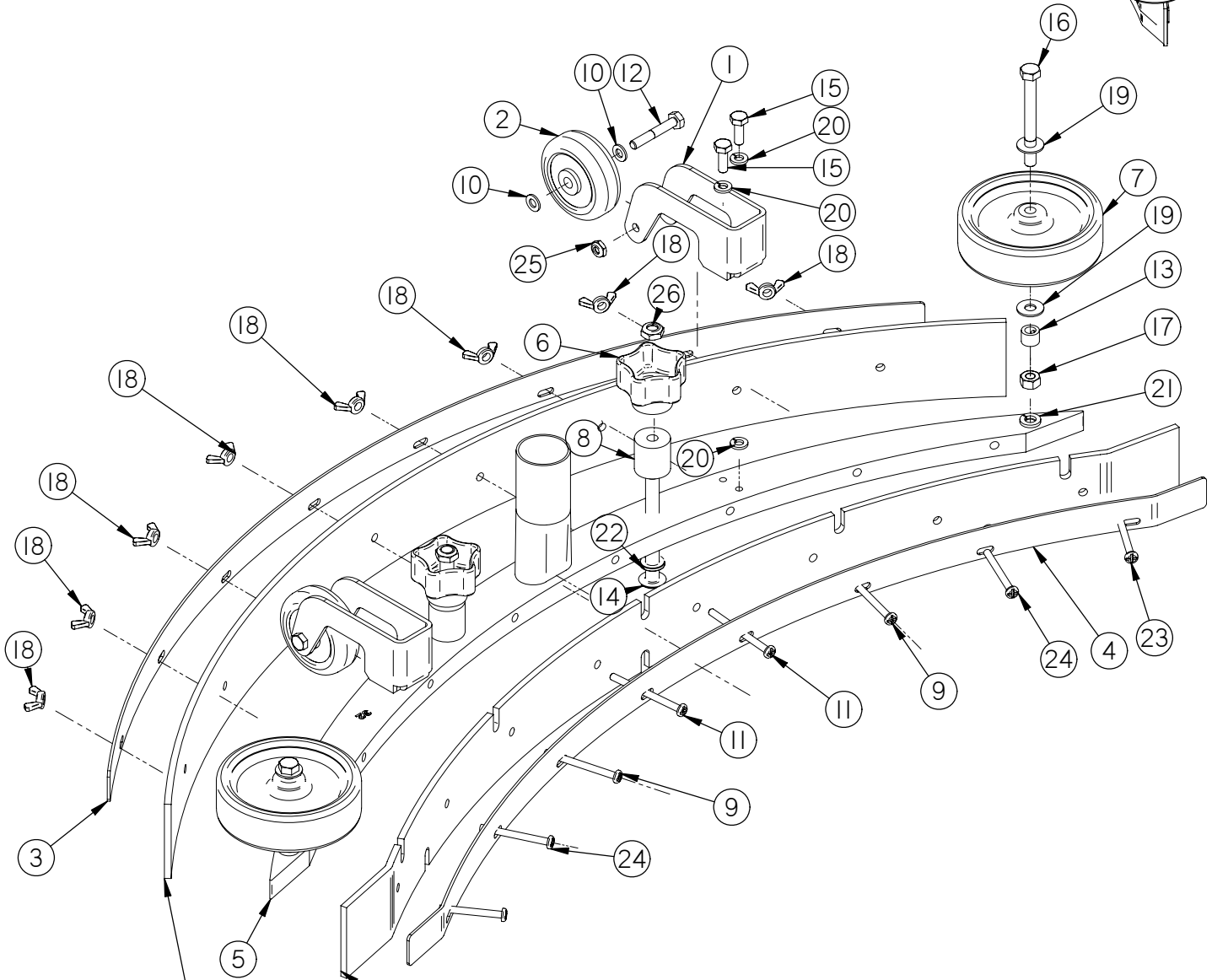
SETUP FOR SERIAL #55325 & GREATER



Item	Part No.	Part Description	Qty.
1		HCS 1/2"-13 X 8.5" SS	1
2	21-7205	STAR KNOB	1
3	21-7240	SPRING, 1/2" ID X 1-3/4" LG	1
4	250-5003	SQUEEGEE DRAG BRACE	1
5	250-7132	SQUEEGEE SWING PLATE	1
6	250-7152	SQUEEGEE TRAIL ARM	1
7	250-7610	TRIANGLE PLATE	1
8	290-1233	3/8" ID, 1/2" OD, 1/4" LG BEARING	5
9	290-1247	BRONZE THRUST BEARING, .50" ID X 1.0" OD X 1/16" TH	2
10	4-446	GROMMET-3/8 ID X 1-1/2 OD X .375	3
11	H-0129159	JNYL, 1/2"-13, 18-8 SS	1
12	H-0171004	JNYL 3/8- 24 SS	1
13	H-4440024	FW 3/8" X 3/4 NYLON	4
14	H-70105	HCS 3/8"- 16 X 1" SS	2
15	H-70107	HCS 3/8"- 16 X 1-1/4" SS	3
16	H-70860	NYLOK 1/4"- 20 SS	2
17	H-70862	NYLOK 3/8"-16 SS	6
18	H-70925	KN 1/4-20 S/S	2
19	H-71017	FW 3/8 ID X 7/8 OD SS	9
20	H-71021	FW 1/2 ID X 1-1/4 OD SS	2
21	H-71067	LW 3/8" SS	1
22	H-74416	CB 3/8"- 16 X 2-1/4" SS	1
23	H-74420	CB 1/4"- 20 X 1.0" SS	2
24	H-96544	SPRING, 4-1/8" LG X 9/16" OD (42E)	2
25	M-92240A362	HCS 3/8"- 24 X 3.0" SS	1

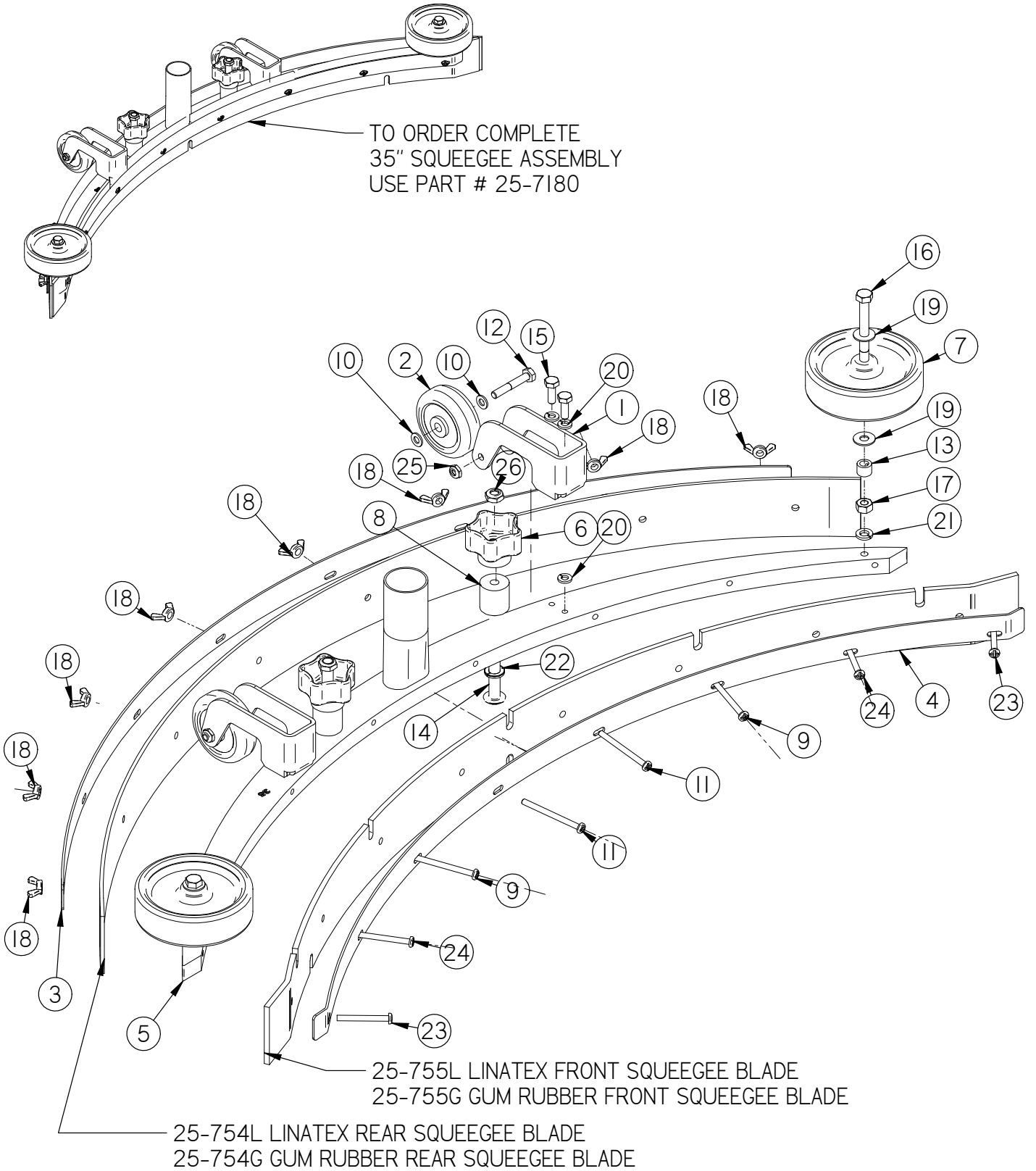


TO ORDER COMPLETE
32" SQUEEGEE ASSEMBLY
USE PART # 23-7180



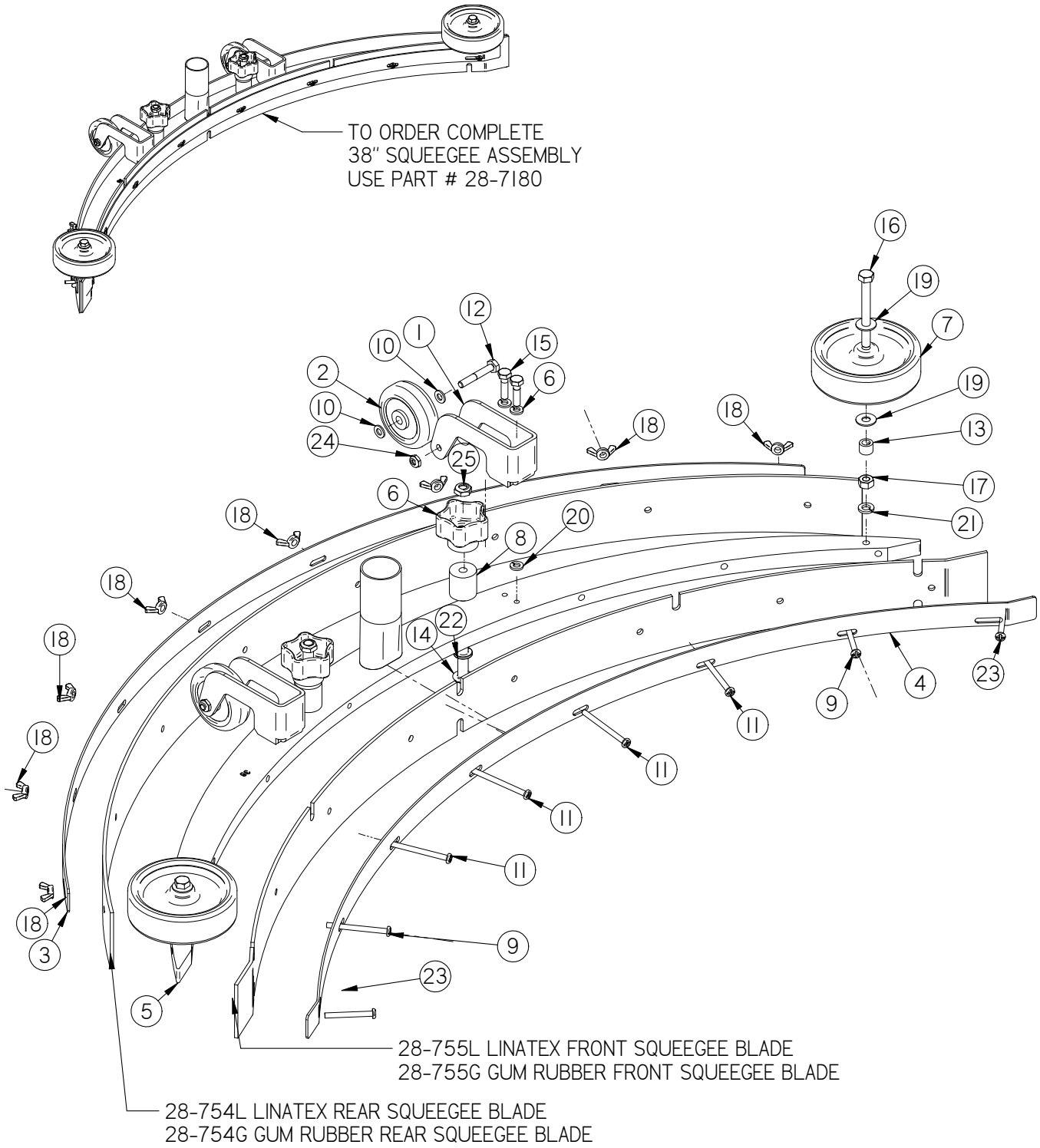
- 22-755L LINATEX FRONT SQUEEGEE BLADE
- 22-755G GUM RUBBER FRONT SQUEEGEE BLADE
- 22-754L LINATEX REAR SQUEEGEE BLADE
- 22-754G GUM RUBBER REAR SQUEEGEE BLADE

Item	Part No.	Part Description	Qty.
1	21-7220	SQUEEGEE TRAIL MOUNTS	2
2	21-7570	BACK UP WHEEL (GREY)	2
3	23-7160	SQUEEGEE BAND, REAR	1
4	23-7170	SQUEEGEE BAND, FRONT	1
5	23-7181	32" SQUEEGEE BODY	1
6	290-5786	STAR KNOB, 3/8-16 THREAD	2
7	5-760B	4" SIDE WHEEL (GREY)	2
8	5-846	STANDOFF, 1.03"	2
9	H-00249	PPH #10-32 X 2 1/4" SS	2
10	H-00283	FW 1/4" NYLON	4
11	H-00288	PPH #10-32 X 2 1/2" SS	2
12	H-0172248	HCS 1/4"- 20 X 1.625" SS	2
13	H-33371	5/16" ID SHAFT COLLAR	2
14	H-37350	BHSCS 3/8"- 16 X 3-1/2" S/S	2
15	H-70003	HCS 1/4"- 20 X 3/4" SS	4
16	H-70065	HCS 5/16"- 18 X 3" SS	2
17	H-70711	HN 5/16"- 18 SS	2
18	H-70908	WINGNUT 10-32 SS	8
19	H-71015	FW 5/16" X 3/4" SAE SS	4
20	H-71063	LW 1/4" SS	6
21	H-71065	LW 5/16" SS	2
22	H-71067	LW 3/8" SS	2
23	H-72555	PPH #10-32 X 1 3/4" SS	2
24	H-72556	PPH #10-32 X 2" SS	2
25	H-NJ04C	JNYL 1/4" - 20 SS	2
26	H-NJ06C	JNYL 3/8- 16 SS	2

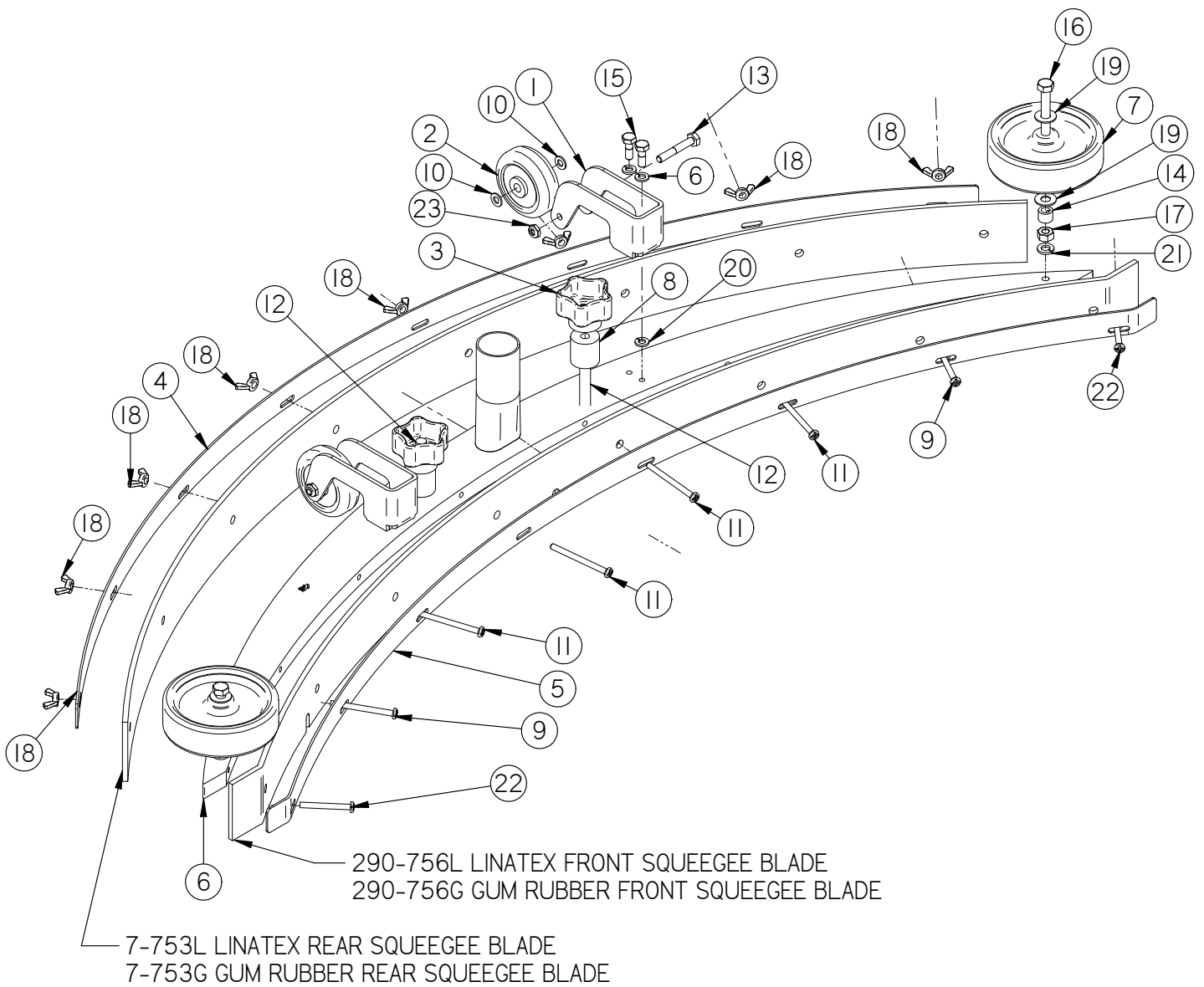
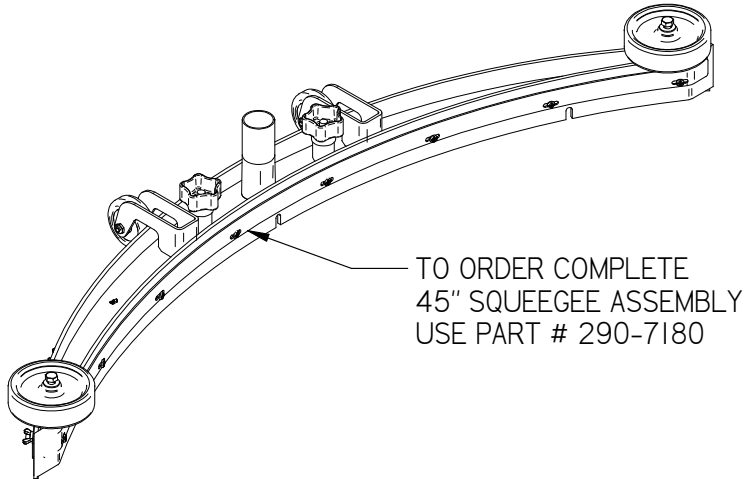


Item	Part No.	Part Description	Qty.
1	21-7220	SQUEEGEE TRAIL MOUNTS	2
2	21-7570	BACK UP WHEEL (GREY)	2
3	25-7160	SQUEEGEE BAND, REAR	1
4	25-7170	SQUEEGEE BAND, FRONT	1
5	25-7181	35" SQUEEGEE BODY	1
6	290-5786	STAR KNOB, 3/8-16 THREAD	2
7	5-760B	4" SIDE WHEEL (GREY)	2
8	5-846	STANDOFF, 1.03"	2
9	H-00249	PPH #10-32 X 2 1/4" SS	2
10	H-00283	FW 1/4" NYLON	4
11	H-00288	PPH #10-32 X 2 1/2" SS	2
12	H-0172248	HCS 1/4"- 20 X 1.625" SS	2
13	H-33371	5/16" ID SHAFT COLLAR	2
14	H-37350	BHSCS 3/8"- 16 X 3-1/2" S/S	2
15	H-70003	HCS 1/4"- 20 X 3/4" SS	4
16	H-70065	HCS 5/16"- 18 X 3" SS	2
17	H-70711	HN 5/16"- 18 SS	2
18	H-70908	WINGNUT 10-32 SS	8
19	H-71015	FW 5/16" X 3/4" SAE SS	4
20	H-71063	LW 1/4" SS	6
21	H-71065	LW 5/16" SS	2
22	H-71067	LW 3/8" SS	2
23	H-72555	PPH #10-32 X 1 3/4" SS	2
24	H-72556	PPH #10-32 X 2" SS	2
25	H-NJ04C	JNYL 1/4" - 20 SS	2
26	H-NJ06C	JNYL 3/8- 16 SS	2

30 38 Inch Squeegee

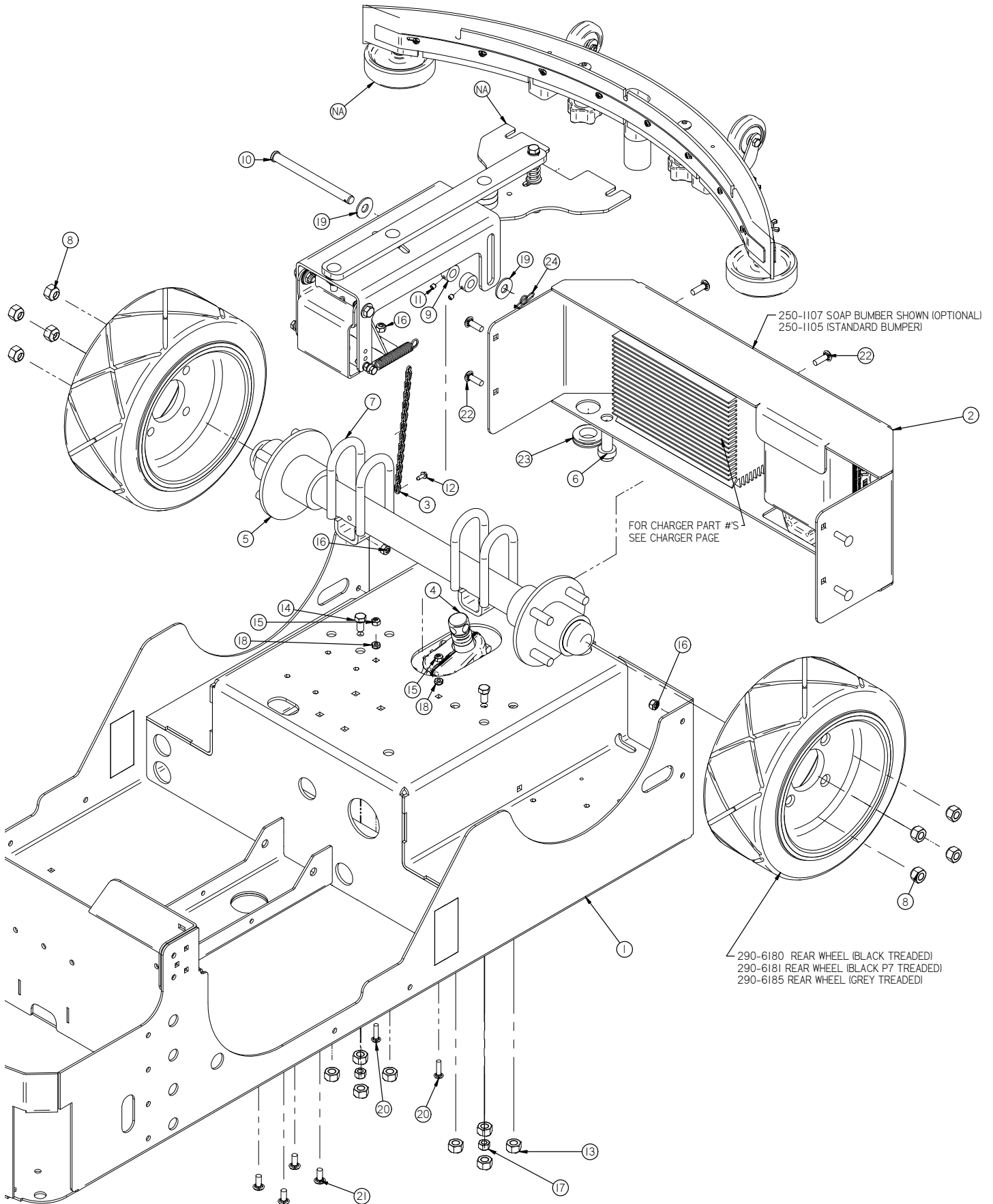


Item	Part No.	Part Description	Qty.
1	21-7220	SQUEEGEE TRAIL MOUNTS	2
2	21-7570	BACK UP WHEEL (GREY)	2
3	28-7160	38" SQUEEGEE BAND, REAR	1
4	28-7170	38" SQUEEGEE BAND, FRONT	1
5	28-7181	38" SQUEEGEE BODY	1
6	290-5786	STAR KNOB, 3/8-16 THREAD	2
7	5-760B	4" SIDE WHEEL (GREY)	2
8	5-846	STANDOFF, 1.03"	2
9	H-00249	PPH #10-32 X 2 1/4" SS	2
10	H-00283	FW 1/4" NYLON	4
11	H-00288	PPH #10-32 X 2 1/2" SS	4
12	H-0172248	HCS 1/4"- 20 X 1.625" SS	2
13	H-33371	5/16" ID SHAFT COLLAR	2
14	H-37350	BHSCS 3/8"- 16 X 3-1/2" S/S	2
15	H-70005	HCS 1/4"- 20 X 1" SS	4
16	H-70065	HCS 5/16"- 18 X 3" SS	2
17	H-70711	HN 5/16"- 18 SS	2
18	H-70908	WINGNUT 10-32 SS	8
19	H-71015	FW 5/16" X 3/4" SAE SS	4
20	H-71063	LW 1/4" SS	6
21	H-71065	LW 5/16" SS	2
22	H-71067	LW 3/8" SS	2
23	H-72555	PPH #10-32 X 1 3/4" SS	2
24	H-NJ04C	JNYL 1/4" - 20 SS	2
25	H-NJ06C	JNYL 3/8- 16 SS	2

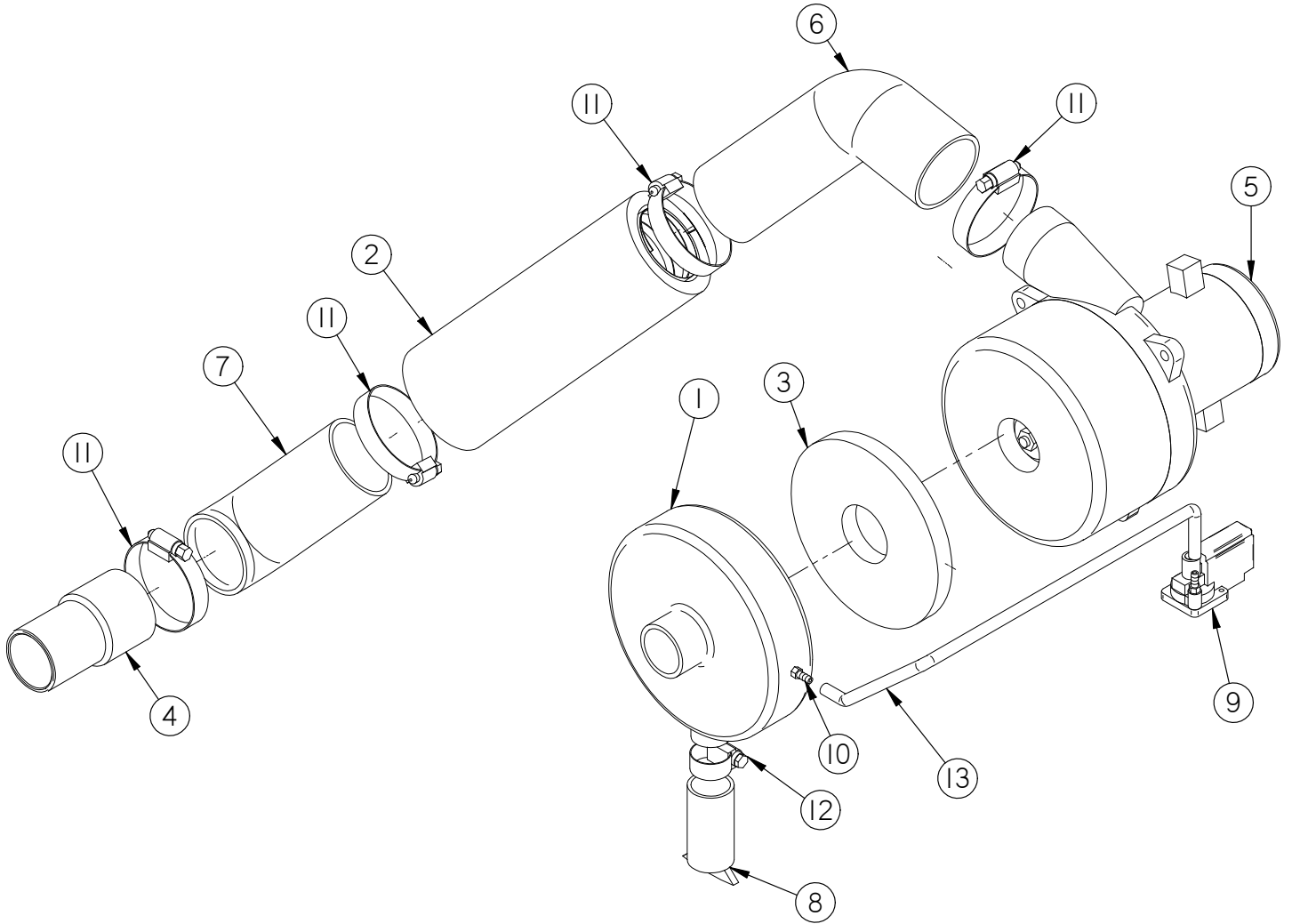


Item	Part No.	Part Description	Qty.
1	21-7220	SQUEEGEE TRAIL MOUNTS	2
2	21-7570	BACK UP WHEEL (GREY)	2
3	290-5786	STAR KNOB, 3/8-16 THREAD	2
4	290-7160	SQUEEGEE BAND, REAR	1
5	290-7170	SQUEEGEE BAND, FRONT	1
6	290-7181	45" SQUEEGEE BODY	1
7	5-760B	4" SIDE WHEEL (GREY)	2
8	5-846	STANDOFF, 1.03"	2
9	H-00249	PPH #10-32 X 2 1/4" SS	2
10	H-00283	FW 1/4" NYLON	4
11	H-00288	PPH #10-32 X 2 1/2" SS	4
12	H-00568	STUD 3/8"- 16 X 2 1/2" SS	2
13	H-0172248	HCS 1/4"- 20 X 1.625" SS	2
14	H-33371	5/16" ID SHAFT COLLAR	2
15	H-70003	HCS 1/4"-20 X 5/8" SS	4
16	H-70065	HCS 5/16"- 18 X 3" SS	2
17	H-70711	HN 5/16"- 18 SS	2
18	H-70908	WINGNUT 10-32 SS	8
19	H-71015	FW 5/16 ID X 3/4 OD SS	4
20	H-71063	LW 1/4" SS	6
21	H-71065	LW 5/16" SS	2
22	H-72555	PPH #10-32 X 1 3/4" SS	2
23	H-NJ04C	JNYL 1/4" - 20 SS	2

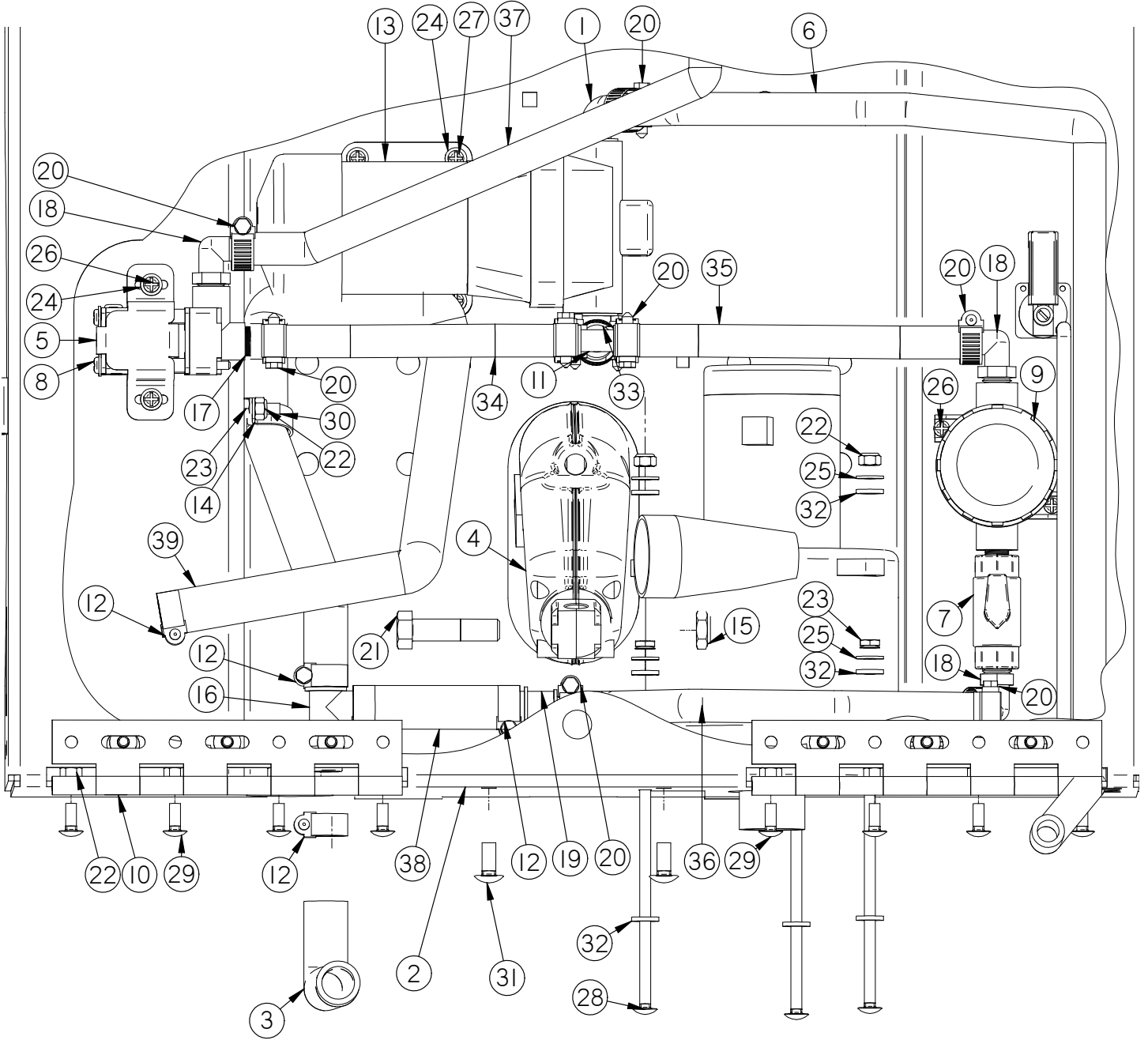
34 Squeegee Trail Arm and Rear Axle



Item	Part No.	Part Description	Qty.
1	250-1000	MAIN FRAME	1
2	250-1107	GTX REAR SUDS BUMPER	1
3	250-1618	8" GOLD GROUDING CHAIN	1
4	250-2240	2" STROKE 36V ACTUATOR 450 LB LOAD	1
5	250-6040	250 REAR AXLE	1
6	253-2300	CHARGER STATUS INDICATOR	1
7	290-6186	1/2-20 X 1-1/4 " U BOLT	4
8	290-6187	LUG NUT, 1/2"- 20	8
9	H-03660	1/2" ID X 7/16" LG SETSCREW SHAFT COLLAR	2
10	H-04720	1/2" X 6.0" CLEVIS PIN	1
11	H-25379	SETSCREW, KCP, 1/4"-20 X 1/4"	2
12	H-31810	HW #10 X 1/2	1
13	H-37130	NYLOK NUT, 1/2"- 20	8
14	H-70103	HCS 3/8"-16 X 3/4" SS	2
15	H-70860	NYLOK 1/4"- 20 SS	2
16	H-70861	NYLOK 5/16" - 18 SS	6
17	H-70862	NYLOK 3/8"-16 SS	2
18	H-70925	KN 1/4-20 S/S	2
19	H-71021	FW 1/2" USS	2
20	H-74420	CB 1/4"- 20 X 1.0" SS	2
21	H-74429	CB 5/16"- 18 X 3/4" SS	4
22	H-74430	CB 5/16"- 18 X 1" SS	8
23	H-9307K74	GROMMET, 1" ID X 1-3/4" OD BUNA-N	1
24	H-RUE22	1/2" RUE RING COTTER	1



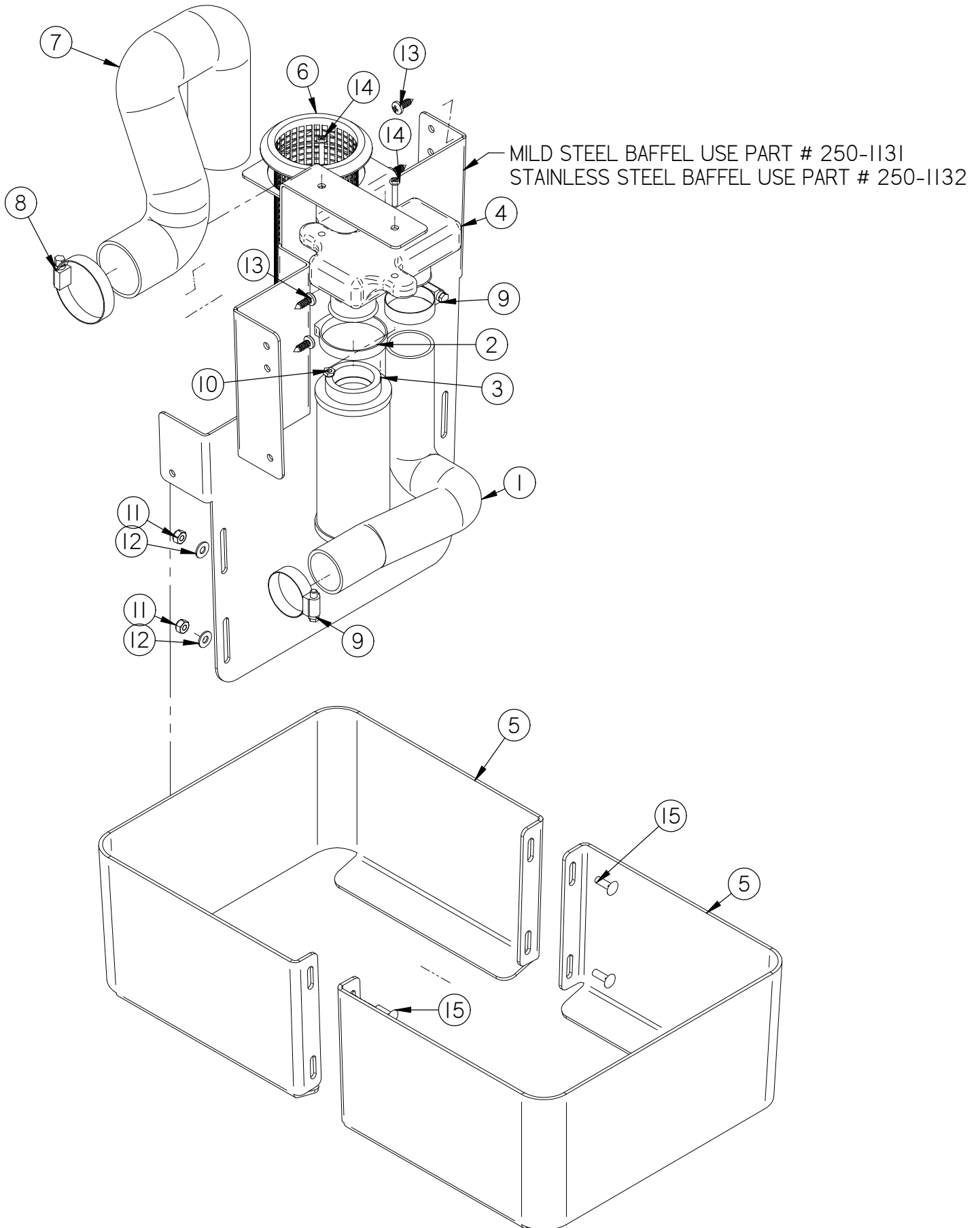
Item	Part No.	Part Description	Qty.
1	190-1450	VAC BOX	1
2	190-2502	VACUUM FAN MUFFLER, 8" LG	1
3	190-3002	VAC MOTOR GASKET	1
4	21-4072	HOSE CUFF, 1 1/2"	1
5	250-5250	36V VAC MOTOR, TANGENTAL	1
6	370-0121	2" ID X 12" LG. EXHAUST HOSE	1
7	370-0121	2" ID X 5" LG. VAC EXHAUST HOSE	1
8	390-1505	LOADER VALVE	1
9	390-2328	SWITCH, VACUUM SHUTOFF	1
10	390-2328A	VACUUM SWITCH BARB	1
11	5-719	CLAMP 1 9/16 - 2 1/2 " SS	4
12	H-081	CLAMP 1.0"- 1-1/8" SS	1
13	T125C1200	1/8" ID X 12" LG. VAC SWITCH TUBING	1



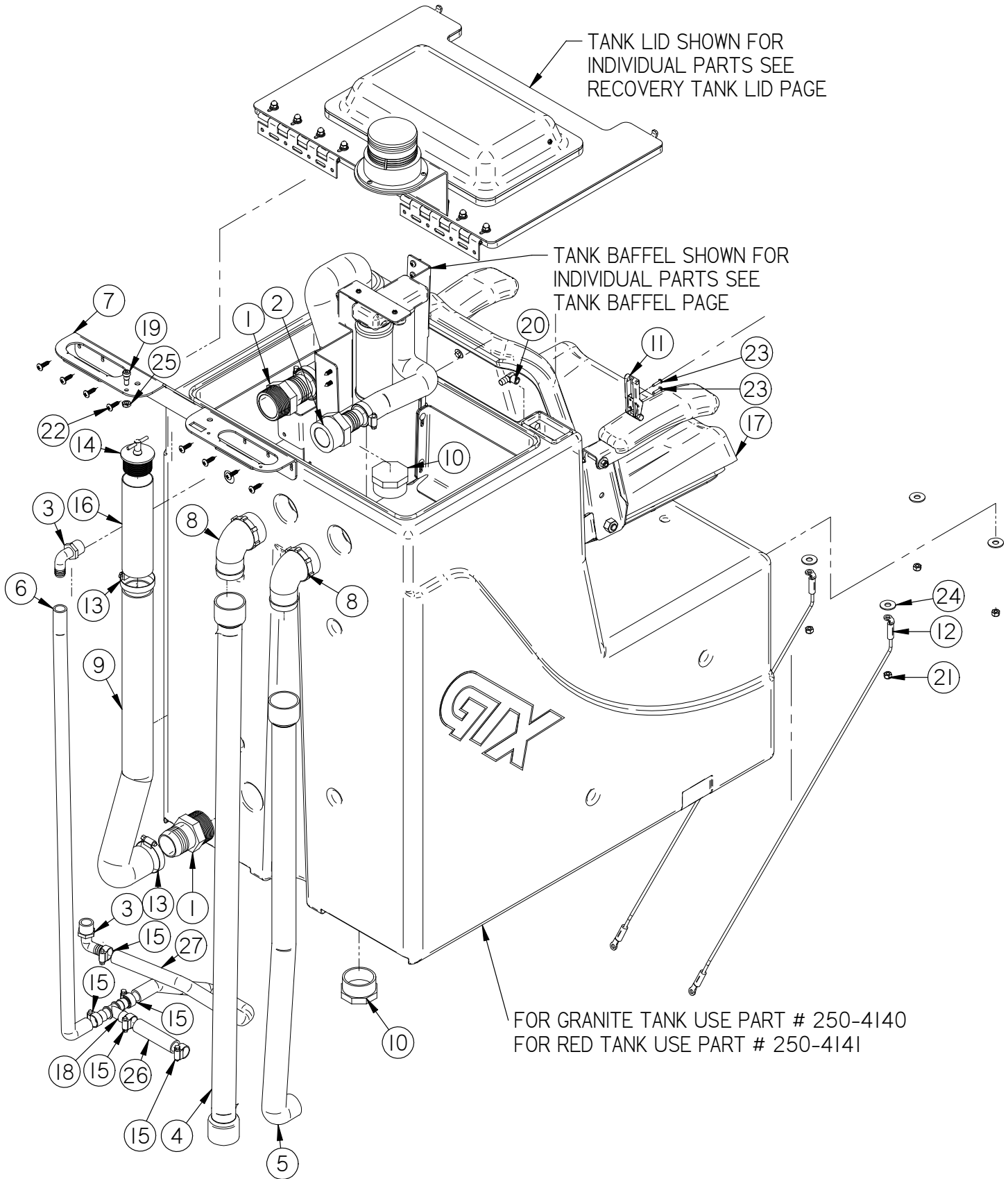
Item	Part No.	Part Description	Qty.
1	21-1601	1/2" BARBED ELBOW (PLASTIC)	2
2	250-1000	MAIN FRAME	1
3	250-1370	SIGHT TUBE/ SOLUTION DRAIN	1
4	250-2240	2" STROKE 36V ACTUATOR 450 LB LOAD	1
5	250-5280	VALVE BRACKET	1
6	290-8960	SPRAY JET HOSE	1
7	370-4158	BALL VALVE, 3/8"	1
8	370-7245	FLOW VALVE	1
9	370-9130	INLINE FILTER	1
10	5-122	HINGE 8" SS	2
11	5-446	1/2 " PLASTIC BARB TEE	1
12	5-848	CLAMP 9/16"- 1 1/16" SS	5
13	5-891	PUMP, WATER JET	1
14	H-0127296	LOOP CLAMP, 1.0"	2
15	H-0129159	JNYL, 1/2"-13, 18-8 SS	1
16	H-02930	3/4 " PLASTIC BARB TEE	1
17	H-04763	.375 NPT X .50 BARB	1
18	H-04764	ELBOW, 3/8" MNPT X 1/2" BARB X 90 DEG, NYLON	3
19	H-04908	3/4" to 1/2" COUPLING	1
20	H-081	CLAMP 7/16"- 25/32" SS	10
21	H-70211	HCS 1/2"-13 X 2.0" SS	1
22	H-70860	NYLOK 1/4"- 20 SS	11
23	H-70925	KN 1/4-20 S/S	3
24	H-71009	FW #10 SS	5
25	H-71013	FNW 1/4" X 5/8" SS	4
26	H-72517	PPH #10-32 X 5/8" SS	4
27	H-72536	PPH #10-32 X 1" S/S	3
28	H-74400	CB 1/4"- 20 X 6.0" SS	3
29	H-74418	CB 1/4"- 20 X 5/8" S/S	8
30	H-74420	CB 1/4"- 20 X 1.0" SS	1
31	H-74429	CB 5/16"- 18 X 3/4" SS	3
32	M-90130A029	.25" NEOPRENE WASHER	7
33	T-050R0300	1/2" ID X 3" LG TUBING	1
34	T-050R0700	1/2" ID X 7" LG TUBING	1
35	T-050R0900	1/2" ID X 9" LG TUBING	1
36	T-050R1300	1/2" ID X 13" LG TUBING	1
37	T-050R2600	1/2" ID X (26" DISK) (60" CYL.) LG TUBING	1
38	T-075R0300	3/4" ID X 3" LG TUBING	1
39	T-075R3300	3/4" ID X 33" LG TUBING	1

Item	Part No.	Part Description	Qty.
1	190-1075	TANK CLEAR COVER GASKET	1
2	190-1410	VAC FORMED CLEAR COVER	1
3	250-4050	RECOVERY TANK GASKET	1
4	250-4051	RECOVERY LID	1
5	250-7185	STROBE LIGHT BRACKET	1
6	370-4060	6" LANYARD	2
7	5-122	HINGE 8" SS	2
8	8-293	STROBE LIGHT	1
9	H-29049	PPH #10-32 X 1/2"	4
10	H-37708	1/4-20 LC ACORN NUT	8
11	H-70858	NYLOK #10-32 SS	7
12	H-71013	FNW 1/4" X 5/8" SS	8
13	H-71063	LW 1/4" SS	8
14	H-73744	BHSCS 10-32 X 5/8" SS	3
15	H-73753	BHSCS 1/4 - 20 X 5/8" SS	8
16	H-90133	.170 ID X .50 OD X .093 TH NEOPRENE WASHER	2

42 Tank Baffle

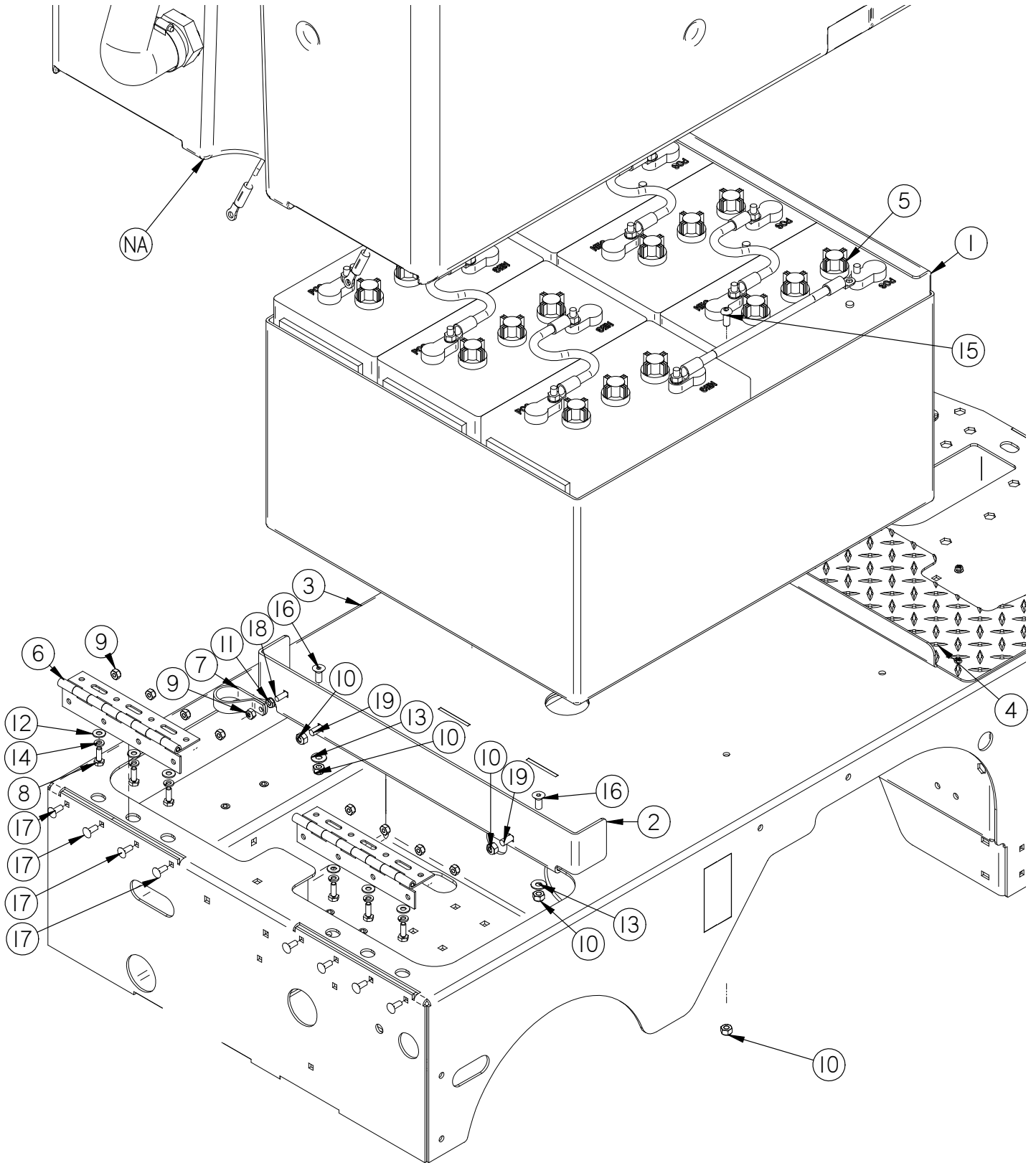


Item	Part No.	Part Description	Qty.
1	170-0120	1.5" INNER TANK HOSE	1
2	21-4028	SNAP GRIP CLAMP	1
3	21-4085	VAC SCREEN	1
4	21-7060	VAC BOX	1
5	250-0081	UPPER TANK BRACE	2
6	250-8911	SCREEN STRAINER	1
7	370-0121	2" INNER TANK HOSE	1
8	5-719	CLAMP 1 9/16 - 2 1/2 " SS	1
9	H-0427612	CLAMP 3/4"- 1-3/4" SS	2
10	H-70858	NYLOK #10-32 SS	2
11	H-70860	NYLOK 1/4"- 20 SS	4
12	H-71013	FNW 1/4" X 5/8" SS	4
13	H-71893	1/4 X 3/4 SELF TAPPING SCREW	4
14	H-72536	PPH #10-32 X 1" S/S	2
15	H-74419	CB 1/4"- 20 X .75" SS	4

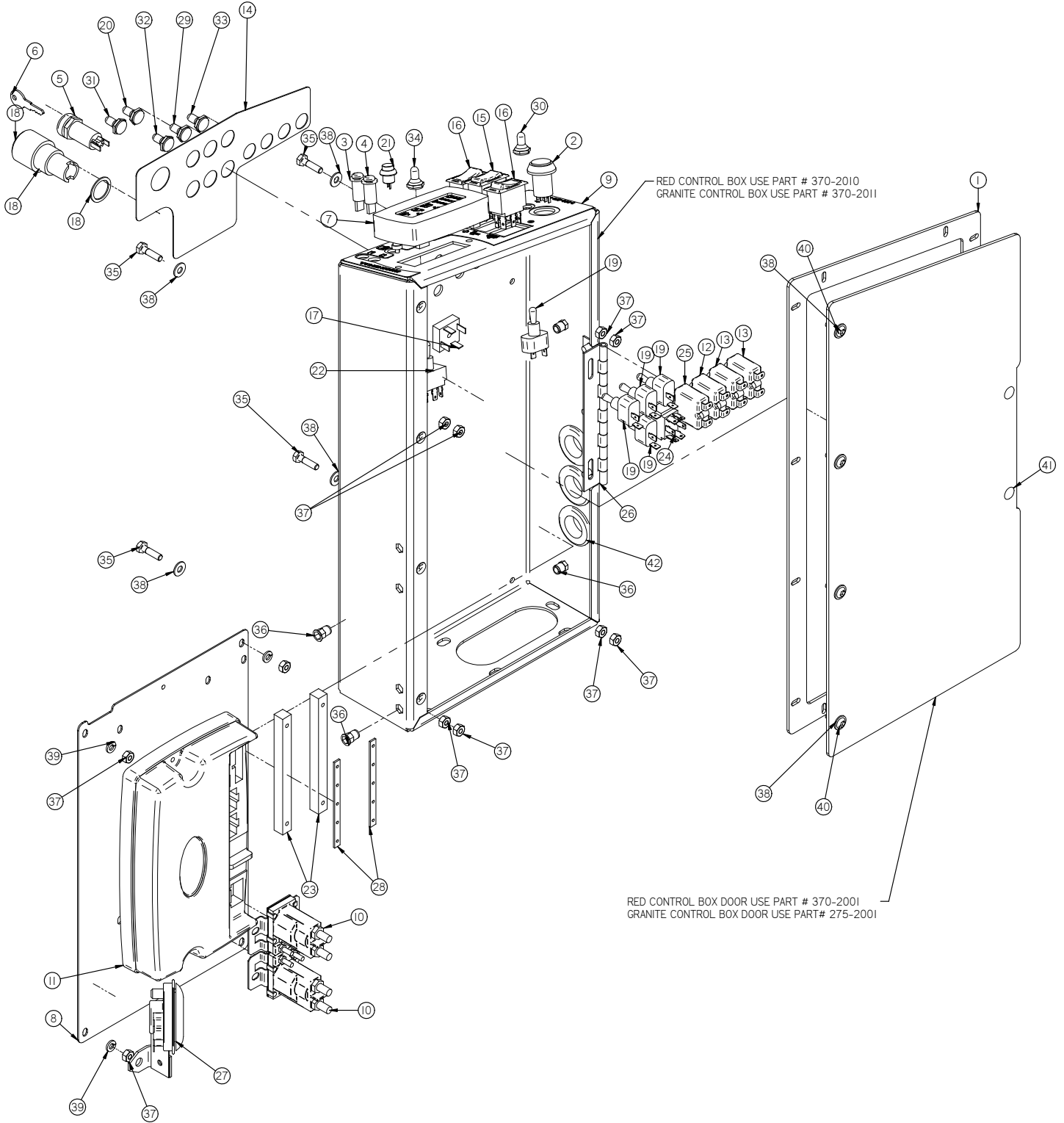


Item	Part No.	Part Description	Qty.
1	190-1210	2.0 NPT X 2.0" BARB	2
2	190-1215	2.0 NPT X 1.50 BARB	1
3	21-4044	3/4" NPT TO 3/4" BARBED ELBOW	2
4	250-0111	SQUEEGEE HOSE	1
5	250-0117	VAC TO TANK HOSE	1
6	250-1370	SIGHT TUBE/ SOLUTION DRAIN	1
7	250-7180	DRAIN HOSE BRACKET	1
8	290-7040	2" NPT X 2" BARB ELBOW, BLACK	2
9	290-7210	DRAIN HOSE	1
10	370-1210	2" NPT TANK PLUG	2
11	4-124	LATCH	1
12	4-126A	HOOD CABLE	2
13	5-719	CLAMP 1 9/16 - 2 1/2 " SS	2
14	5-727	DRAIN HOSE PLUG	1
15	5-848	CLAMP 9/16"- 1 1/16" SS	5
16	5-920	DRAIN HOSE END TUBE	1
17	8-143	SEAT WITH ARM RESTS	1
18	H-02930	3/4 " PLASTIC BARB TEE	1
19	H-25444	SB 3/8" X 3/8" SS	1
20	H-53525	1/4" NPT X 1/2" BARB X 90 DEG	1
21	H-70861	NYLOK 5/16" - 18 SS	4
22	H-71894	#14 X 1" SELF TAPPING SCREW	8
23	H-72536	PPH SMS #8 X 3/4" SS	2
24	H-99001	FW 3/8" MIL SPEC	4
25	H-NJ06C	JNYL 3/8- 16 SS	1
26	T-075R0300	3/4" ID X 3" LG TUBING	1
27	T-075R3300	3/4" ID X 33" LG TUBING	1

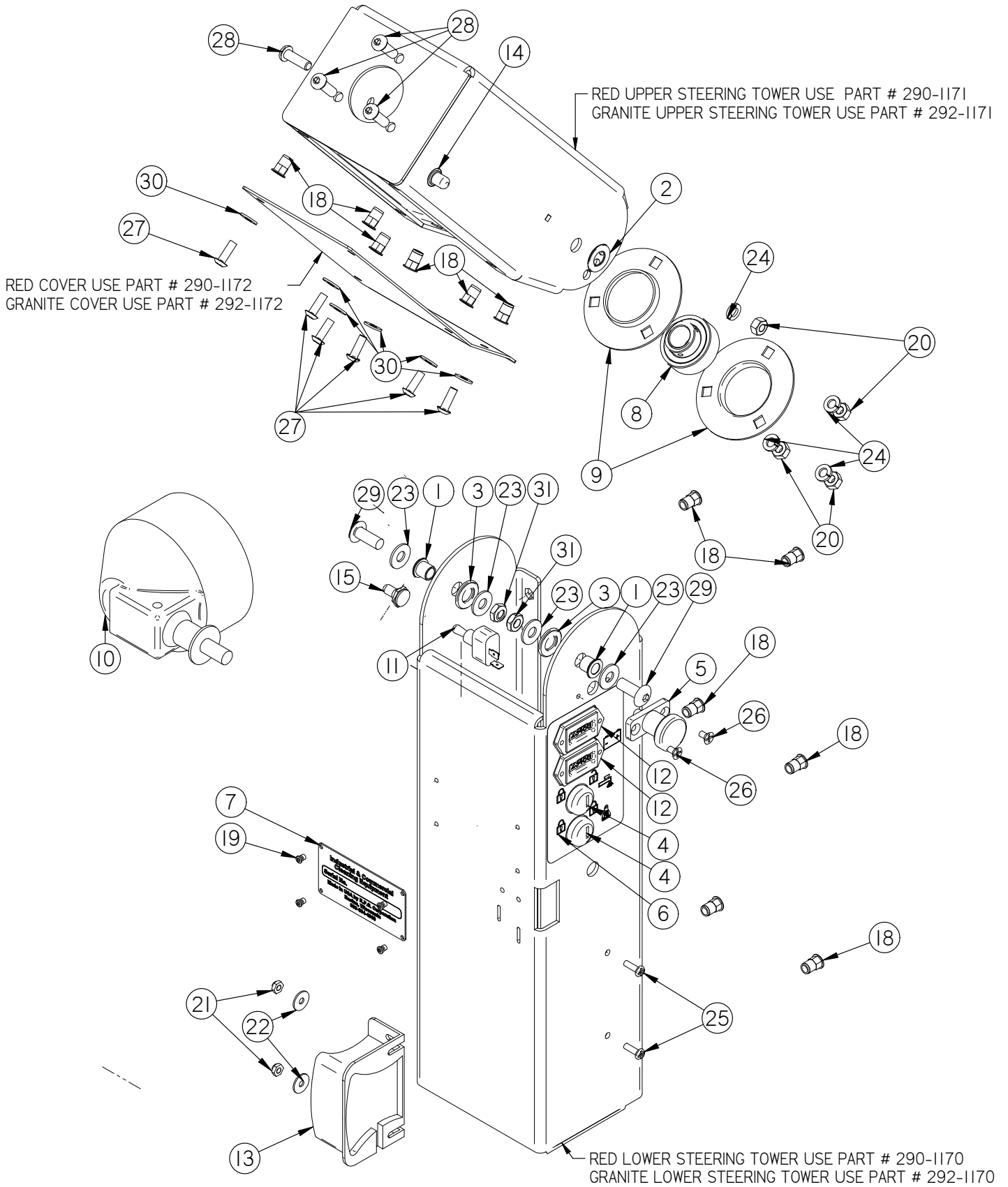
46 Attaching Tank and Batteries



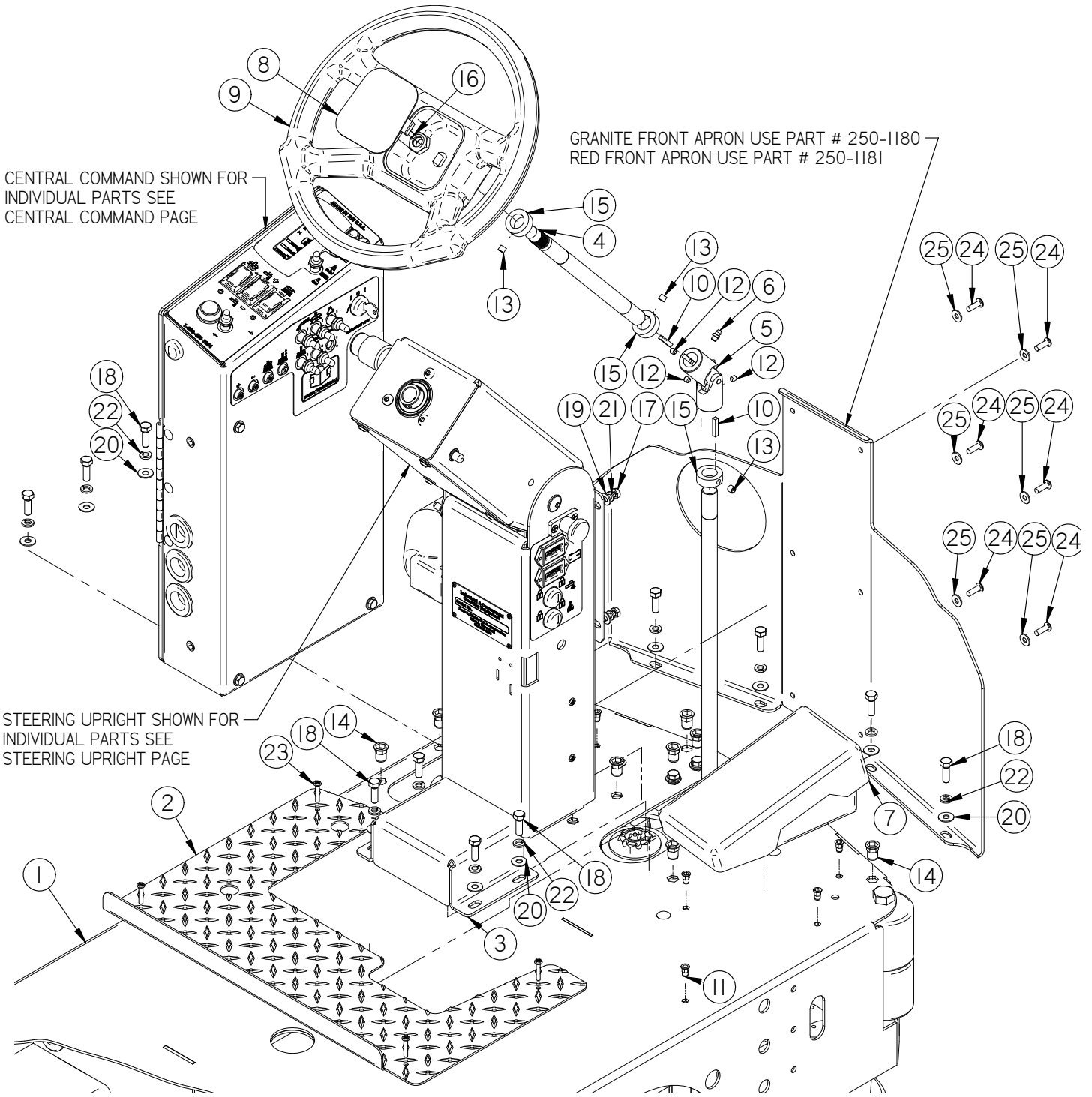
Item	Part No.	Part Description	Qty.
1	250-0000	250 BATTERY BOX	1
2	250-0003	BATTERY BRACKET	1
3	250-1000	MAIN FRAME	1
4	250-1611	GTX NON SKID FLOOR PLATE	1
5	250-2111	BATTERY, 6-V, 325 AH	6
6	5-122	HINGE 8" SS	2
7	H-3225T	RUBBER LOOP CLAMP, 1-1/2"	1
8	H-70003	HCS 1/4"- 20 X 3/4" SS	8
9	H-70860	NYLOK 1/4"- 20 SS	9
10	H-70861	NYLOK 5/16" - 18 SS	6
11	H-70925	KN 1/4-20 S/S	1
12	H-71013	FNW 1/4" X 5/8" SS	8
13	H-71015	FW 5/16" X 3/4" SS	2
14	H-71063	LW 1/4" SS	8
15	H-73779	BHSCS 5/16-18 X 3/4"	2
16	H-73907	FHSCS 5/16"- 18 X 3/4" SS	2
17	H-74418	CB 1/4"- 20 X 5/8" S/S	8
18	H-74419	CB 1/4"- 20 X .75" SS	1
19	H-74429	CB 5/16"- 18 X 3/4" SS	2



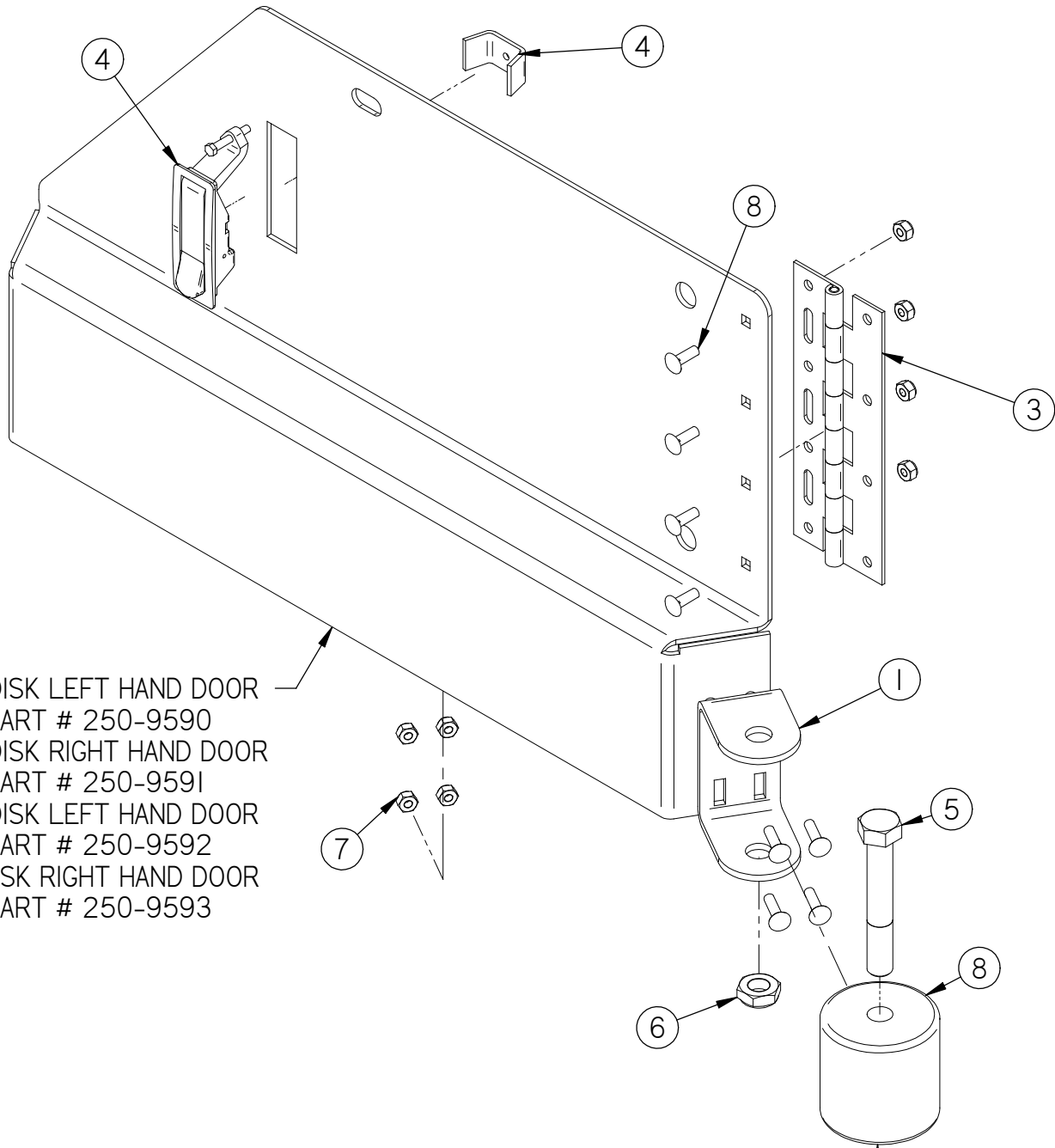
Item	Part No.	Part Description	Qty.
1	290-2004	ACCESS COVER GASKET	1
2	290-2015	ONE TOUCH BUTTON	1
3	290-2300	LOW SOLUTION (AMBER)	1
4	290-2310	FULL RECOVERY (RED)	1
5	290-234	KEY SWITCH	1
6	290-234A	KEY SET (REPLACE)	1
7	290-2891	LCD SCREEN	1
8	370-2006	HARDWARE PANEL	1
9	370-2013	CONTROL PANEL TOP PLATE	1
10	370-2331	RELAY, 36V, SMALL W/FLAT MTG PLATE	2
11	390-2899	CONTROLLER V4	1
12	390-9610	FUSE, RESETTABLE, 10 AMP, 50V DC MAX	1
13	390-9615	FUSE, RESETTABLE, 15 AMP, 50V DC MAX	2
14	420-1502	Central Command Decal	1
15	5-233	MOM-OFF-MOM DPDT	1
16	5-234	SWITCH, ROCKER, DPDT, ON/ON	2
17	5-296	DIODE BRIDGE	1
18	5-300	EMERGENCY SHUT OFF	1
19	5-892	TOGGLE, ON-OFF SPST	5
20	5-892A	PROTECTIVE BOOT, TOGGLE SWITCH, (GRAY)	1
21	7-229	PUSH BUTTON SWITCH	1
22	7-283	SWITCH, TOGGLE, MOM/OFF/MOM (DPDT)	1
23	7-287	BUSS BAR UHMW	2
24	7-821	SWITCH, TOGGLE, ON/ON (DPDT)	1
25	7-837	FUSE RESETTABLE 2 AMP	1
26	8-180	HINGE, 6-7/8" S/S	1
27	8-294	HORN	1
28	E-5HBB	5 HOLE BUSS BAR	2
29	H-01195	PROTECTIVE BOOT, TOGGLE SWITCH, (WHITE)	1
30	H-01196	PROTECTIVE BOOT, TOGGLE SWITCH, (RED)	1
31	H-01197	PROTECTIVE BOOT, TOGGLE SWITCH, (YELLOW)	1
32	H-01198	PROTECTIVE BOOT, TOGGLE SWITCH, (GREEN)	1
33	H-01199	PROTECTIVE BOOT, TOGGLE SWITCH, (BLUE)	1
34	H-01200	PROTECTIVE BOOT, TOGGLE SWITCH, (BLACK)	1
35	H-13005	HCS 1/4"-20 X 1"	4
36	H-250HCN	HCN 1/4"-20	8
37	H-70710	HN 1/4"- 20 SS	12
38	H-71013	FNW 1/4" X 5/8" SS	8
39	H-71063	LW 1/4" SS	4
40	H-73754	BHSCS 1/4 - 20 X 3/4" SS	4
41	H-74417	CB 1/4"- 20 X .5" SS	5
42	H-9307K74	GROMMET, 1" ID X 1-3/4" OD BUNA-N	3



Item	Part Number	Part Description	Qty
1	290-1242	3/8" ID, 1/2" OD, 1/2" LG, FLANGE BEARING	2
2	290-1247	BRONZE THRUST BEARING, .50" ID X 1.0" OD X 1/16" TH	2
3	290-1248	FW BRONZE 1/2" ID X 1" OD X 1/8" TH	2
4	290-234	KEY SWITCH	2
5	290-7050	INDEX PLUNGER	1
6	370-7204	METER STICKER	1
7	4-101	SERIAL NUMBER PLATE	1
8	4-352	BEARING	1
9	4-364A	FLANGE, 1.75" ID	2
10	430-2910	36V HEADLIGHT	2
11	5-892	TOGGLE, ON-OFF SPST	1
12	8-262	HOUR METER	2
13	8-292	BACKUP ALARM	1
14	8-294B	PUSH BUTTON SWITCH, SILVER	1
15	H-01200	PROTECTIVE BOOT, TOGGLE SWITCH, (BLACK)	1
16*	H-0172519	CB #10-32 X 5/8" SS	1
17*	H-02239	3/8" NYLON LOOP CLAMP	1
18	H-250HCN	HCN 1/4"-20	12
19	H-41007	AB4-3A BLIND RIVET	4
20	H-70711	HN 5/16"- 18 SS	4
21	H-70858	NYLOK #10-32 SS	3
22	H-71010	FW 3/16 x 11/16 OD SS	2
23	H-71017	FW 3/8" X 7/8" SS	4
24	H-71065	LW 5/16" SS	4
25	H-72517	PPH #10-32 X 5/8" SS	2
26	H-72681	FHP #10-32 X 3/8" SS	2
27	H-73754	BHSCS 1/4 - 20 X 3/4" SS	6
28	H-73780	BHSCS 5/16-18 X 1	4
29	H-73815	BHSCS 3/8"- 16 X 1" SS	2
30	H-76061	FW 1/4" NYLON	6
31	H-NJ06C	JNYL 3/8- 16 SS	2

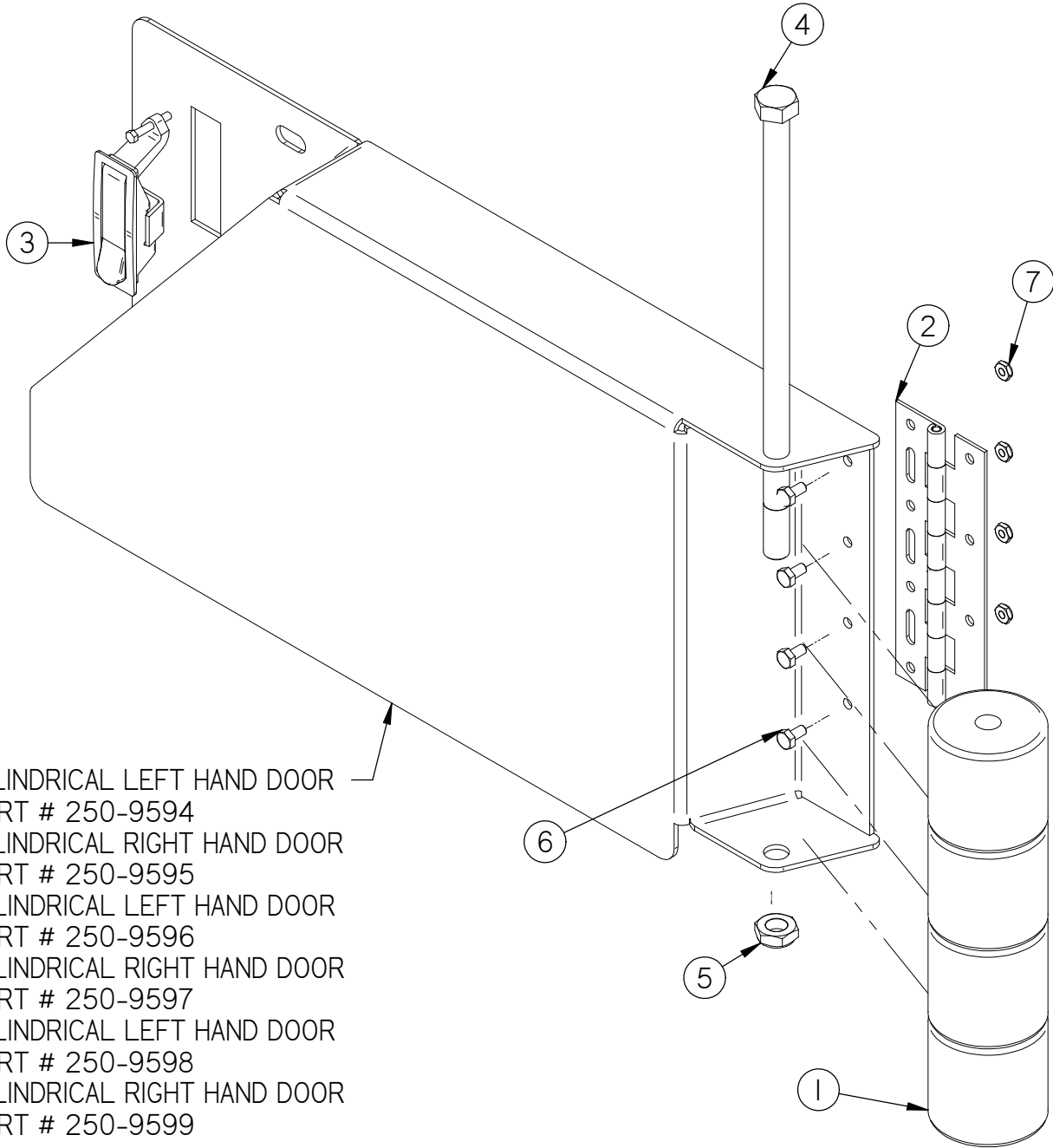


Item	Part No.	Part Description	Qty.
1	250-1000	MAIN FRAME	1
2	250-1611	GTX NON SKID FLOOR PLATE	1
3	290-1173	DRIVE COVER	1
4	290-7090	STEERING SHAFT, UPPER	1
5	290-7110	U-JOINT	1
6	290-7111	1/4-28 ZERK FITTING	1
7	8-290	FOOT PEDAL	1
8	8-701A	STEERING COVER	1
9	8-703	STEERING WHEEL	1
10	H-01125	3/16" X 1" KEY	2
11	H-1032HCN	HCN #10-32	10
12	H-25379	SETSCREW, KCP, 1/4"-20 X 1/4"	3
13	H-25435	SSS CP 5/16" X 1/4"	3
14	H-312HCN	HCN 5/16"-18	16
15	H-33376	SET SCREW SHAFT COLLAR, 3/4" ID X 9/16 LG	3
16	H-37038	JNYL 5/8" - 11	1
17	H-70003	HCS 1/4"- 20 X 3/4" SS	2
18	H-70055	HCS 5/16"- 18 X 1" SS	13
19	H-71013	FNW 1/4" X 5/8" SS	2
20	H-71015	FW 5/16" X 3/4" SS	12
21	H-71063	LW 1/4" SS	2
22	H-71065	LW 5/16" SS	13
23	H-72536	PPH #10-32 X 1" S/S	4
24	H-73754	BHSCS 1/4 - 20 X 3/4" SS	6
25	H-76061	FW 1/4" NYLON	6



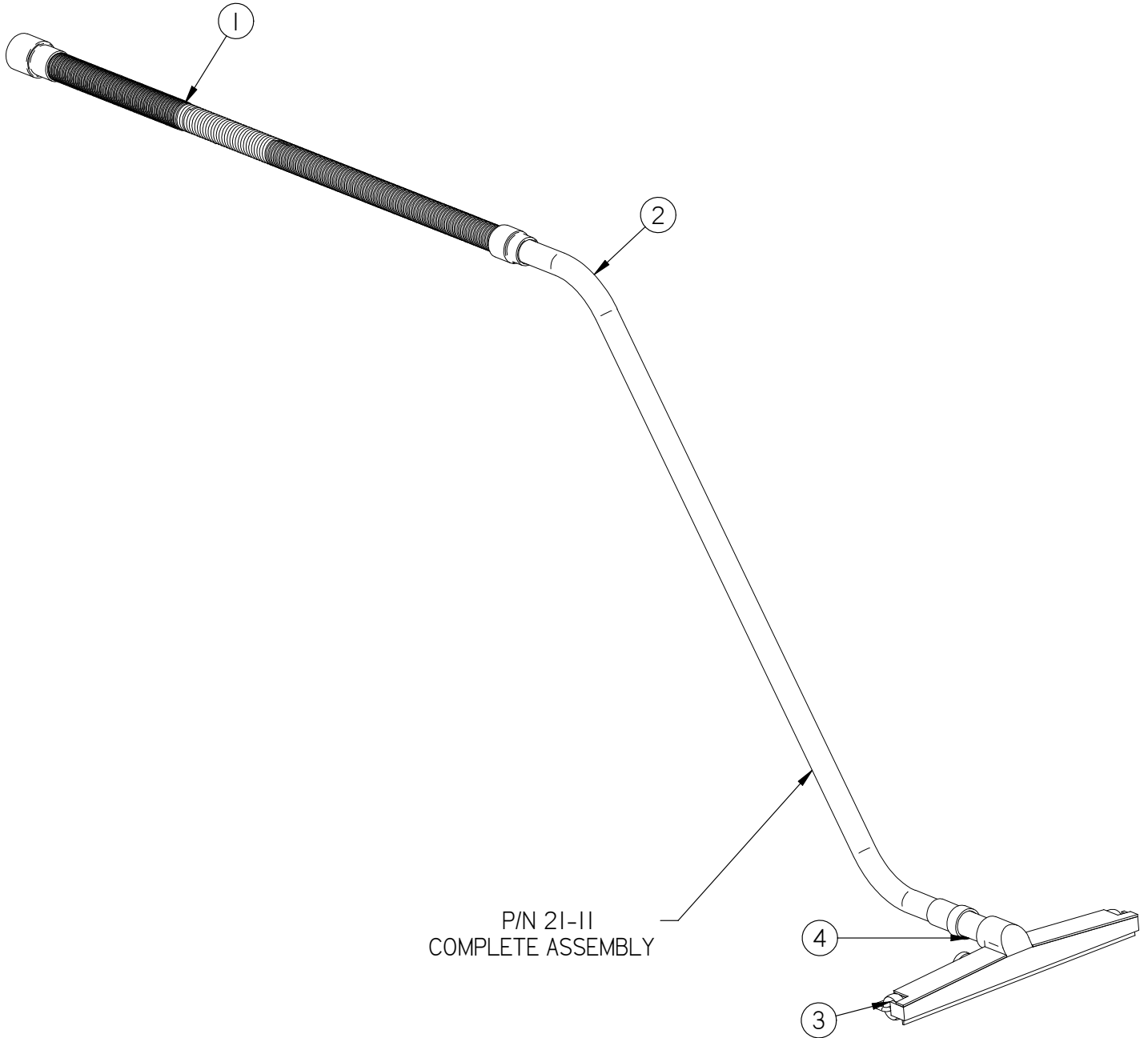
30" DISK LEFT HAND DOOR
 USE PART # 250-9590
 30" DISK RIGHT HAND DOOR
 USE PART # 250-9591
 34" DISK LEFT HAND DOOR
 USE PART # 250-9592
 34" DISK RIGHT HAND DOOR
 USE PART # 250-9593

Item	Part No.	Part Description	Qty.
1	21-1126	ROLLER BRACKET	1
2	21-1127	ROLLER	1
3	5-122	HINGE 8" SS	1
4	5-130	DOOR LATCH	1
5	H-11319	HB 5/8"- 11 X 4"	1
6	H-37038	JNYL 5/8"- 11	1
7	H-70860	NYLOK 1/4"- 20 SS	8
8	H-74419	CB 1/4"- 20 X .75" SS	4
9*	H-74420	CB 1/4"- 20 X 1.0" SS	4

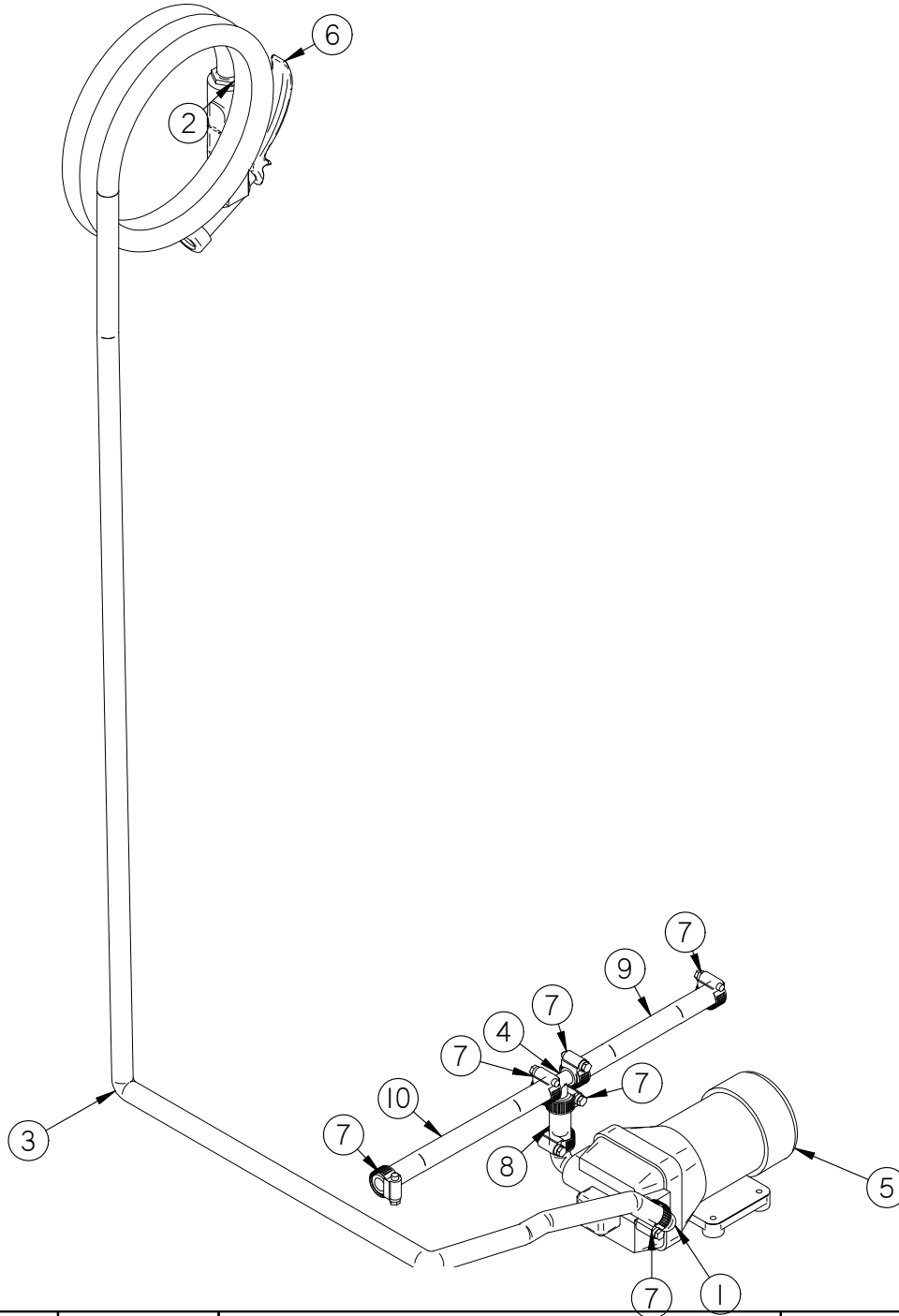


- 27" CYLINDRICAL LEFT HAND DOOR
USE PART # 250-9594
- 27" CYLINDRICAL RIGHT HAND DOOR
USE PART # 250-9595
- 30" CYLINDRICAL LEFT HAND DOOR
USE PART # 250-9596
- 30" CYLINDRICAL RIGHT HAND DOOR
USE PART # 250-9597
- 34" CYLINDRICAL LEFT HAND DOOR
USE PART # 250-9598
- 34" CYLINDRICAL RIGHT HAND DOOR
USE PART # 250-9599

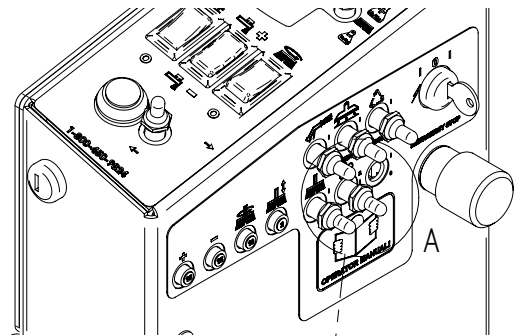
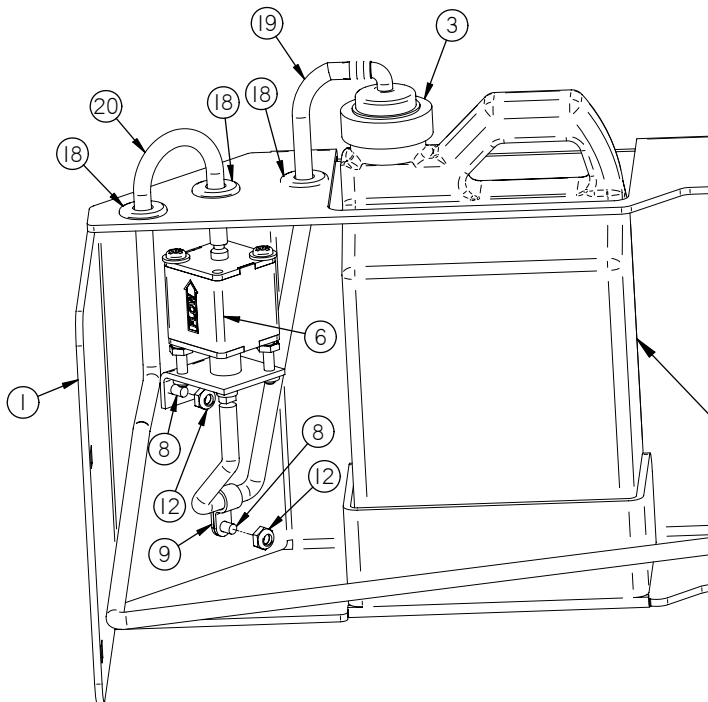
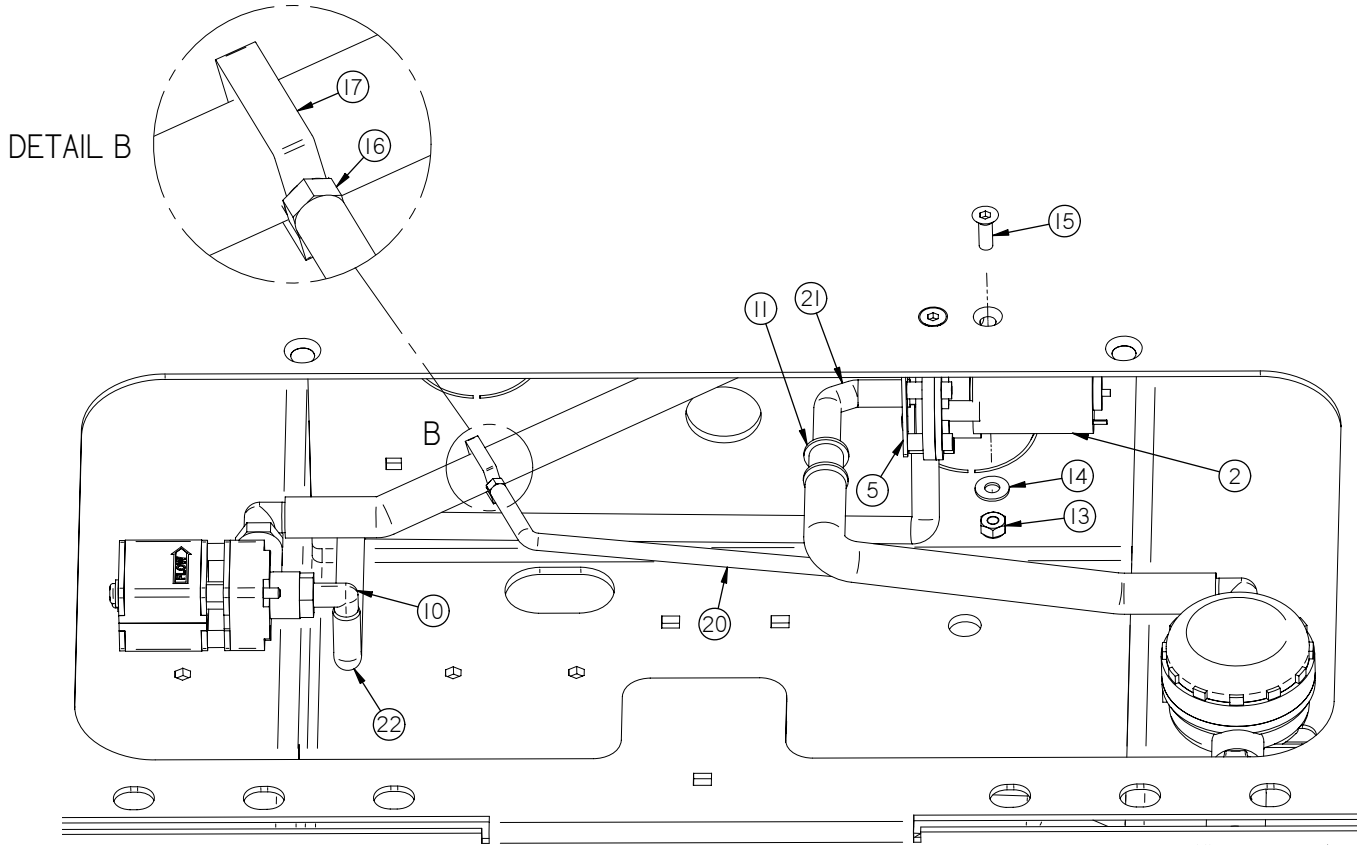
Item	Part No.	Part Description	Qty.
1	21-1127	ROLLER	4
2	5-122	8" SS HINGE	1
3	5-130	DOOR LATCH	1
4	H-13337	HB 5/8"- 11 X 13"	1
5	H-37038	JNYL 5/8"- 11	1
6	H-70001	HCS 1/4"-20 X 1/2 SS"	4
7	H-NJ04C	JNYL 1/4" - 20 SS	4



Item	Part No.	Part Description	Qty.
1	5-883	SQUEEGEE HOSE	1
2	5-887	VAC WAND	1
3	5-889	VACUUM NOZZLE	1
4	7-884	COUPLER, S/S	1



Item	Part No.	Part Description	Qty.
1	21-1601	1/2" BARBED ELBOW (PLASTIC)	2
2	21-1608	1/2 BARB X 3/4 GHT MALE	1
3	290-8960	SPRAY JET HOSE	1
4	5-446	1/2 " PLASTIC BARB TEE	1
5	5-891	PUMP, WATER JET	1
6	5-895	SPRAY NOZZLE	1
7	H-081	CLAMP 7/16"- 25/32" SS	7
8	T-050R0300	1/2" ID X 3" LG TUBING	1
9	T-050R0700	1/2" ID X 7" LG TUBING	1
10	T-050R0900	1/2" ID X 9" LG TUBING	1



SOAP OPTIONS:
 PC707 - CITRUS GREEN
 PC733 - LOW pH
 PC755 - HIGH POWER
 PC757 - GLOSS
 PC797 - HD

Item	Part Number	Part Description	Qty
1	250-1107	GTX REAR SUDS BUMPER	1
2	250-8500	PUMP, 36V DC, 3/8" INLET	1
3	253-0115	SOAPJUG CAP	1
4	253-283	SWITCH, TOGGLE, ON/OFF/ON (DPDT)	1
5	290-1130	PUMP BRACKET	1
6	395-8500	SOAP PUMP, 36V	1
7	H-01198	PROTECTIVE BOOT, TOGGLE SWITCH, (GREEN)	1
8	H-0172518	CB #10-32 X 1/2" SS	3
9	H-02239	3/8" NYLON LOOP CLAMP	1
10	H-04762	ELBOW, 90 DEG X 3/8" MNPT X 3/8" BARB, NYLON	1
11	H-05076	1/2" to 3/8" COUPLING	1
12	H-70858	NYLOK #10-32 SS	3
13	H-70860	NYLOK 1/4"- 20 SS	2
14	H-71013	FW 1/4" X 5/8" SS	2
15	H-73882	FHSCS 1/4- 20 X 3/4" S/S	2
16	M-2974K369	NYLON BARBED TUBE FITTING, 3/16 ID X 1/16" NPT	1
17	M-5116K46	1/2" X 1/2" BARB	1
18	M-9307K23	GROMMET, RUBBER 3/8 ID X 7/8 OD X 1/8 TH.	4
19	T-018CR2000	3/16" ID X 20" LG. C.R. TUBE	1
20	T-018CR3800	3/16" ID X 38" LG. C.R. TUBE	1
21	T-038R1000	3/8" ID X 10" LG. R. TUBE	1
22	T-038R2800	3/8" ID X 28" LG. R. TUBE	1

Charger table					
Model	Battery	Off-Board (US)	Off-Board (Euro)	On-Board (US)	On-Board (Euro)
250/GTX	250-2110 (245 Ah)	250-2440	250-2442	250-2443	250-2444
	250-2111 (305 Ah)	250-2440	250-2442	250-2443	250-2444
	250-2114 (M-Free)	250-2450	250-2451	250-2452	250-2453

