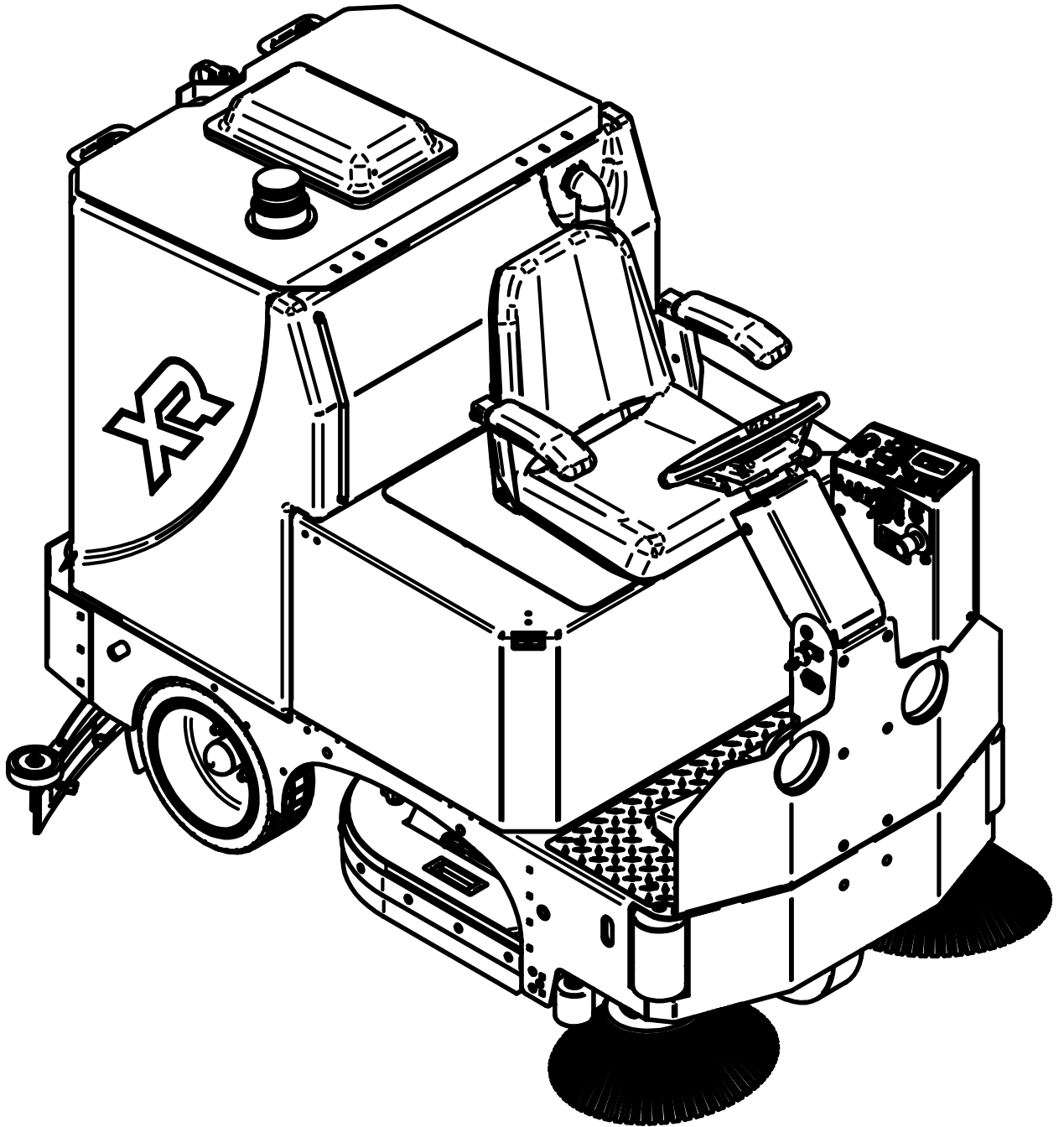


Version 2.8

PARTS MANUAL

XR SERIES



R.P.S. Corporation
P.O. Box 368
Racine, Wisconsin 53401

Phone: 1-800-634-4060
Fax: 1-866-901-3335

Soap Choices	4
Front Wheel Drive	6
Side Brooms	8
Front Wheel and Side Brooms	10
Disk Decks.....	12
Disk Decks 45 inch	14
Shrouds	16
Cylindrical Wiper.....	17
Cylindrical Decks	18
Cylindrical Door	20
Attaching Decks	22
Squeegee Trail Arm.....	24
46 Inch Squeegee	26
53 Inch Squeegee	28
60 Inch Squeegee	30
Squeegee Trail Arm and Rear Axle	32
Dual Vac Motors	34
Vac Motors and Solution Hoses	36
Tank Lid	38
Tank Baffle.....	40
Solution/Recovery Tank.....	42
Tank Mounting	44
Standard Batteries and Seat	46
Industrial Battery and Seat	48
Central Command	50
Steering Tower.....	52
Central Command and Steering Tower	54
Side Doors.....	56
Side Doors.....	57
Overhead Guard.....	58
Water Jet Kit.....	60
Vac Wand Kit	61
SUDS System	62
SUDS System Industrial Battery	64



Industrial • Commercial • Environmentally Safe

TRADITIONAL DRUMS / TOTES



DEMO / RENTAL QUARTS



WALL-MOUNTED SUPERCON



ONBOARD AUTO DISPENSING



Onboard Availability

FORMULAS

SUDS Approved



707 Citrus Green An environmentally cleaner that works! It is a solvent free degreaser that works on oil, carbon, even rubber marks. Incorporates the latest technology in "Green Cleaning".

SUDS Approved



733 Low pH Safe on most surfaces not harmed by water alone. Low scale formula to prevent alkali buildup in cleaning equipment, while offer detergent to emulsify oil.

SUDS Approved



755 High Power Ideal solvent fortified degreaser. This butyl based detergent is penetrating, fast acting, and deep cleaning with built-in corrosion inhibitors. It is our most effective degreaser.

SUDS Approved



757 Gloss A high gloss detergent designed to dry to a bright shine. It is ideal for use on finished surfaces, tile, epoxy, or enamel. The special formula removes salt residue, scuff marks and dirt, while leaving no residue behind. The result is a clean, non-slip surface, ready for immediate use.

SUDS Approved



797 HD The Heavy Duty concentrate is a Super alkaline detergent, formulated for heavy soil, grease, and thick buildup. Popular in machine shops, auto and truck repair, and other facilities with oil, hydraulic fluids and cutting oils.

***Below Sold in bulk concentrate only. Not available as a SuperCon, PowerDose or SUDS product.*

727 Pretreat** Designed to quickly remove tire marks, oil stains and buildup that has accumulated. This pretreat uses the powerful cleaning of natural citrus extract and is intended to be used directly on the floor at 100% concentrate.

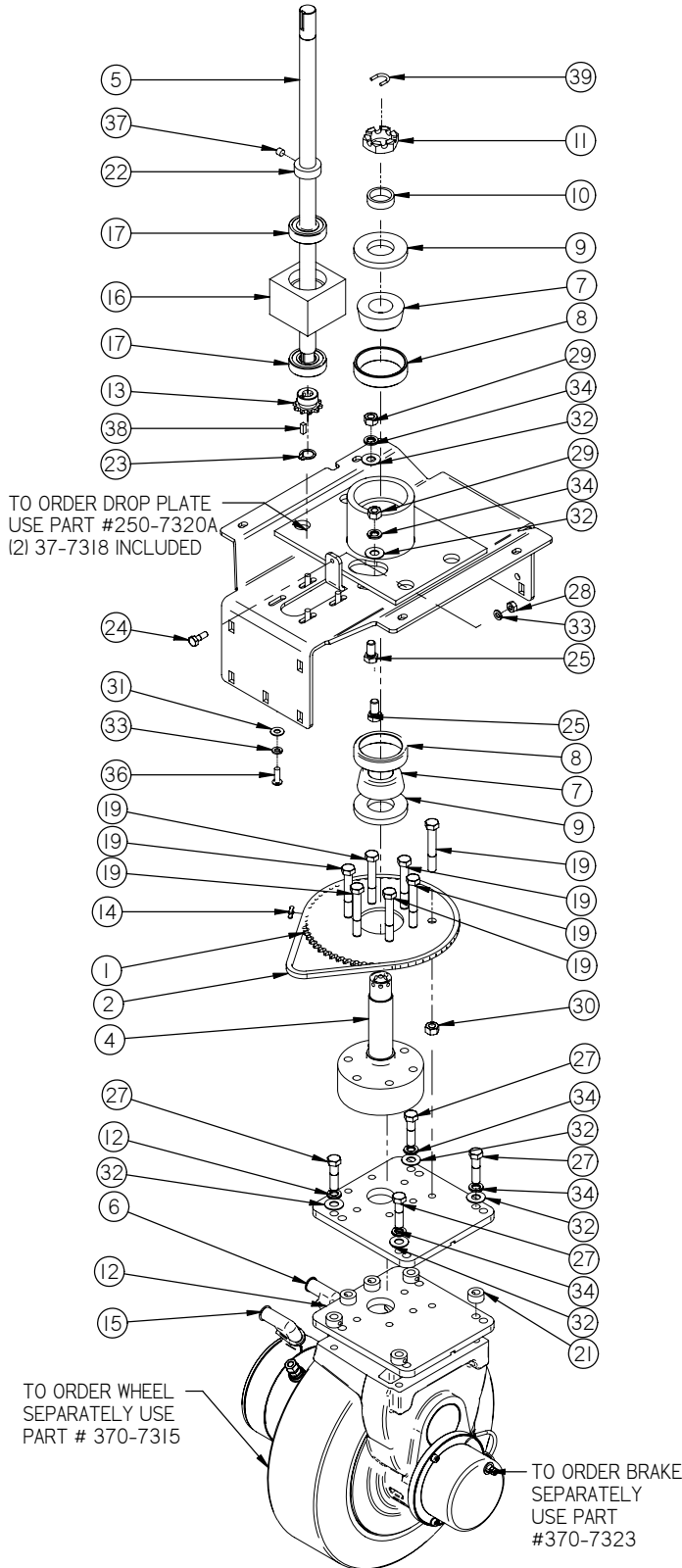
744 Tough Stuff** Ideal for applications with Hard Water problems. It is safe to use in pressure washers and automatic scrubbers. The formulation enhances soil suspension, digests oil and grease, while supporting extra water conditioner.

Distributed by:

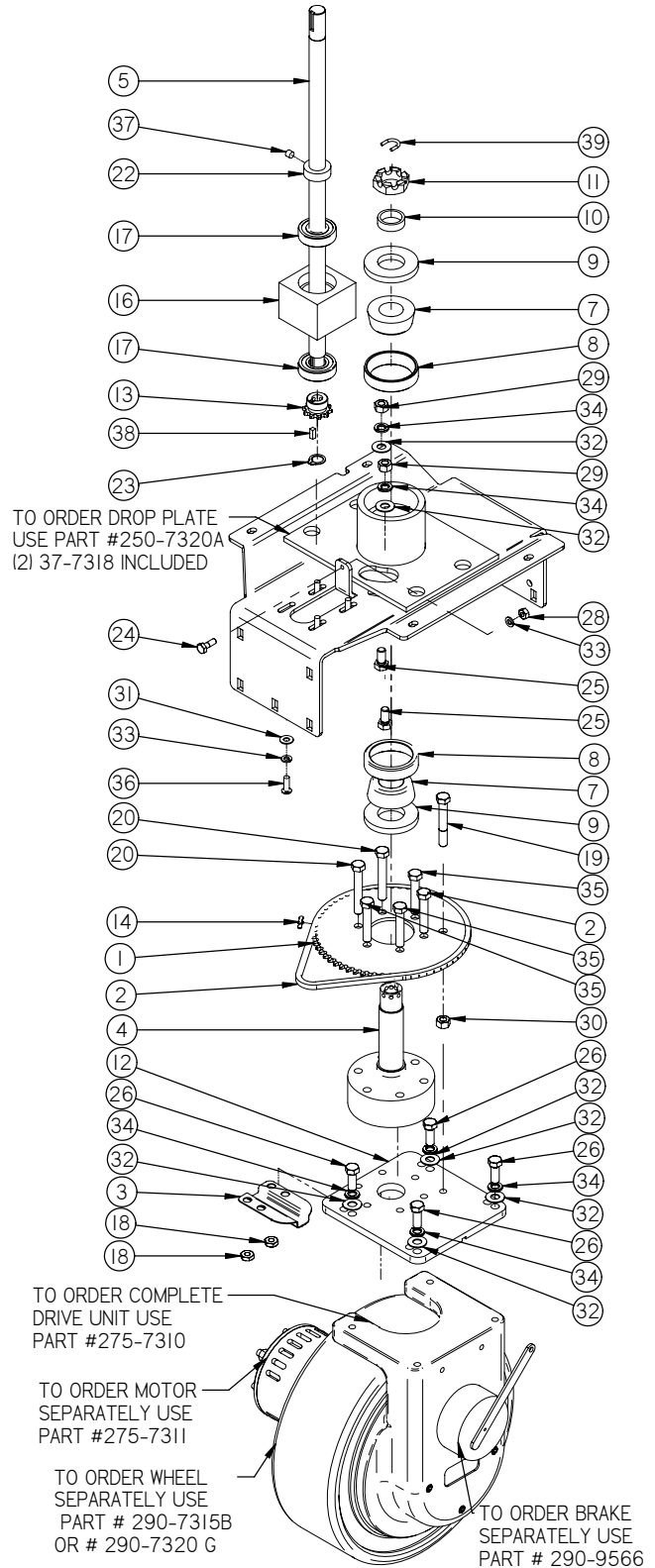
PowerCat
P.O. Box 503
Racine, WI 53404-0503
Phone: 414-745-9337
Fax: 262-632-1630
www.powercatsolutions.com

PowerCat, LLC, 2008.

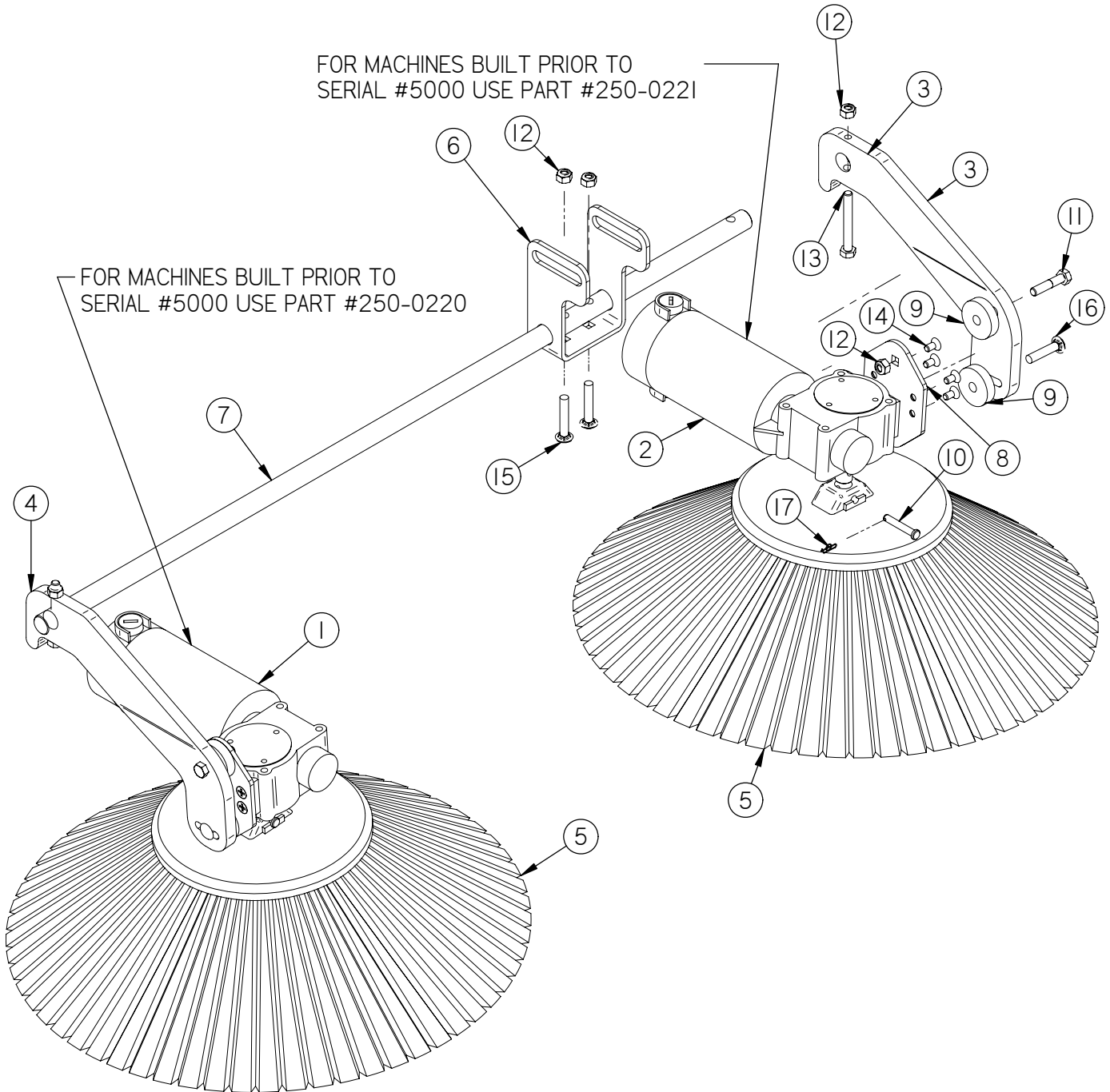
FOR MACHINES WITH A SERIAL NUMBER 52320 AND LOWER USE THIS FRONT WHEEL DRIVE



FOR MACHINES WITH A SERIAL NUMBER 52321 AND HIGHER USE THIS FRONT WHEEL DRIVE

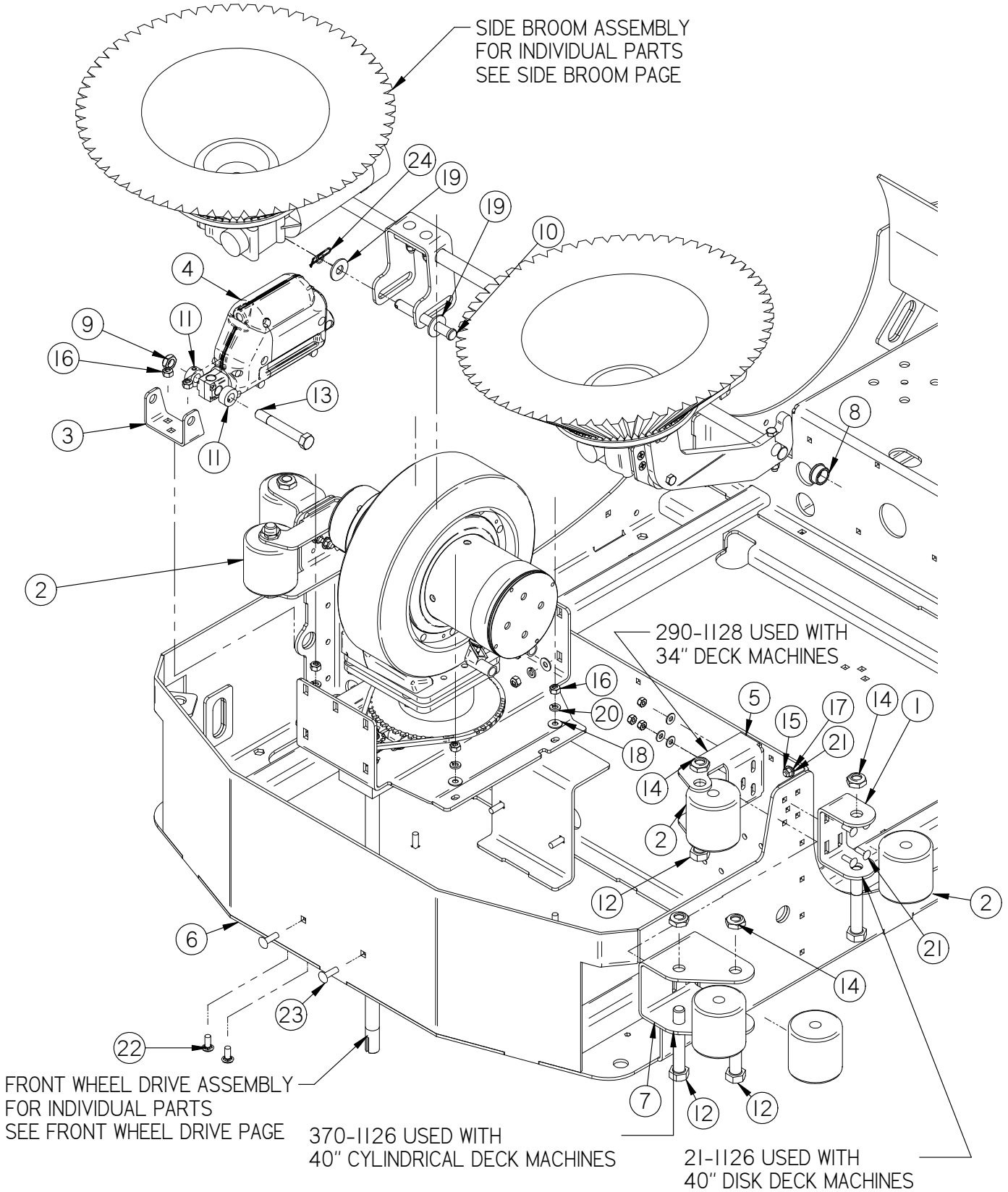


Item	Part No.	Part Description	Qty
1	250-7314	60 TOOTH STEERING SPROCKET	1
2	250-7327	STEERING CHAIN	1
3	250-7328	WIRE GUIDE	1
4	250-7332	STEERING SHAFT	1
5	275-7120	STEERING SHAFT, LOWER	1
6	290-2780	TERMINAL BOOT, BLACK	1
7	37-7317	TAPERED ROLLER BEARING	2
8	37-7318	BEARING CAP	2
9	37-7319	STEERING SHAFT SEAL	2
10	37-7320	PRE LOAD SLEEVE	1
11	37-7321	SLOTTED NUT, 2.0 - 12	1
12	370-7326	PIVOT PLATE	2
13	5-826	10 TOOTH SPROCKET	1
14	5-831	MASTER LINK	1
15	8-278	TERMINAL BOOT, RED	1
16	8-723	BEARING BLOCK	1
17	8-723B	BEARING	2
18	H-0171004	JNYL 3/8- 24 SS	2
19	H-0172951	HCS 3/8"- 24 X 2 1/2" S/S	7
20	H-0172951	HCS 3/8"- 24 X 2-1/2" SS FULL THREADED	2
21	H-33372	SHAFT COLLAR, 3/8" ID	6
22	H-33376	SET SCREW SHAFT COLLAR, 3/4" ID X 9/16 LG	1
23	H-68013	SNAPRING 5/8"	1
24	H-70003	HCS 1/4"-20 X 3/4" SS	1
25	H-70103	HCS 3/8"-16 X 3/4" SS	2
26	H-70105	HCS 3/8"- 16 X 1" SS	4
27	H-70109	HCS 3/8"- 16 X 1-1/2" SS	4
28	H-70710	HN 1/4"- 20 SS	1
29	H-70712	HN 3/8"-16 SS	2
30	H-70732	HN 3/8"- 24 SS	1
31	H-71013	FW 1/4 ID X 5/8 OD SS	4
32	H-71017	FW 3/8 ID X 7/8 OD SS	10
33	H-71063	LW 1/4" SS	5
34	H-71067	LW 3/8" SS	10
35	H-72949	HCS 3/8"- 24 X 2" SS FULL THREADED	4
36	H-73754	BHSCS 1/4 - 20 X 3/4" SS	4
37	H-81983	5/16" X 1/4" KURL SET SCREW	1
38	H-K1432	3/16" X 1/2" KEY	1
39	M-938IT24	S-HOOK	1

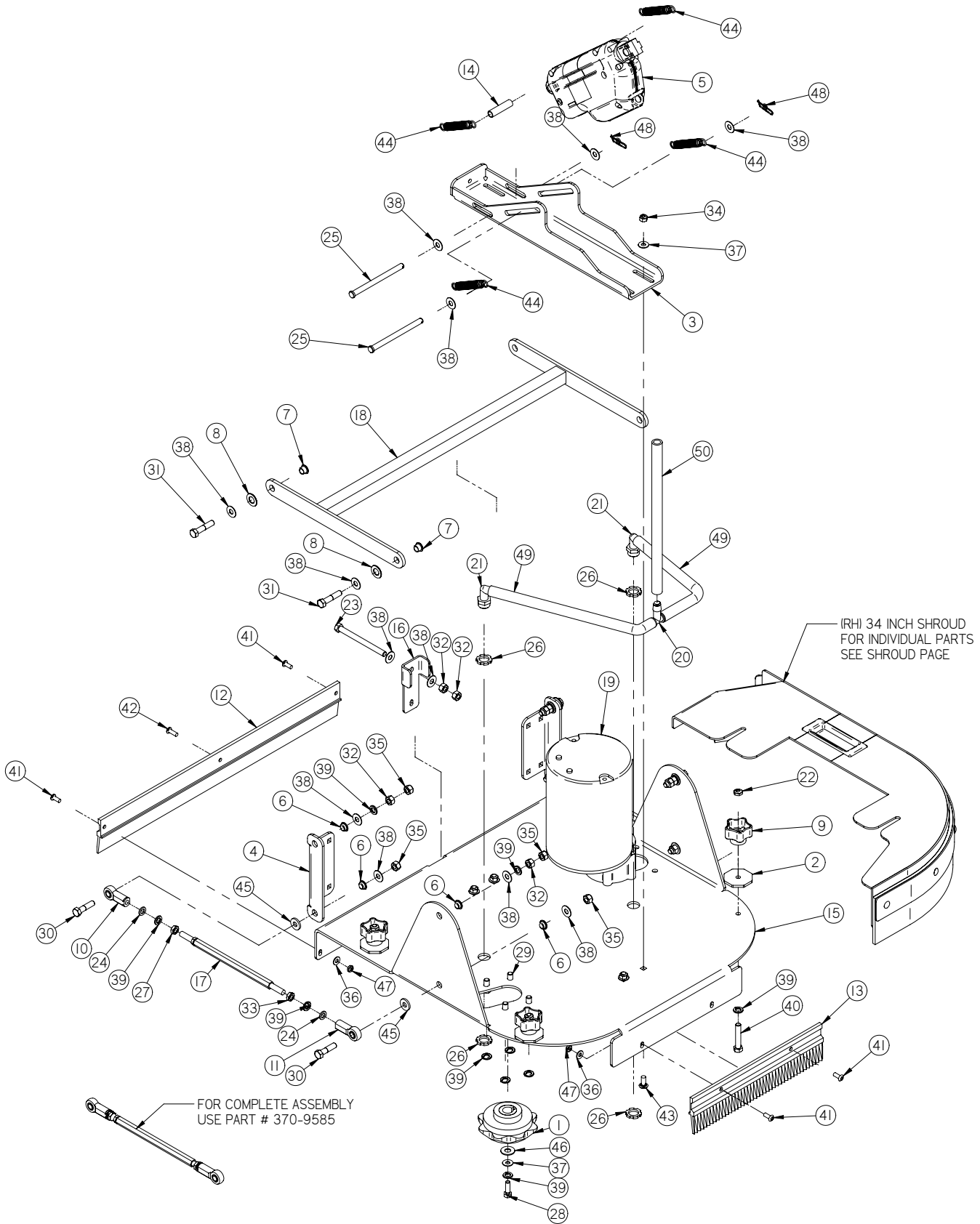


Item	Part No.	Part Description	Qty.
1	250-0222	(RH) SIDE BROOM MOTOR, 36V 106 RPM (44:1)	1
2	250-0223	(LH) SIDE BROOM MOTOR, 36V 106 RPM (44:1)	1
3	250-4420	SIDE BROOM LIFT ARM (LH)	1
4	250-4421	SIDE BROOM LIFT ARM (RH)	1
5	370-402	19" SIDE BROOM POLYPROPYLENE	2
6	370-4422	SIDE BROOM PIVOT	1
7	370-4620	SIDE BROOM AXLE SHAFT	1
8	390-1170	SIDE BROOM MTG PLATE	2
9	4-446	GROMMET-3/8 ID X 1-1/2 OD X .375	4
10	H-0156730	1/4" X 1 1/2" CLEVIS PIN	2
11	H-70059	HCS 5/16"- 18 X 1-1/2"	2
12	H-70861	NYLOK 5/16" - 18 SS	8
13	H-71183	HCS 5/16"- 18 X 2-1/2" FULL THREAD SS	2
14	H-72704	FHP 1/4"- 20 X 1/2" SS	8
15	H-74401	CB 5/16"- 18 X 1-3/4" SS	2
16	H-74432	CB 5/16"- 18 X 1-1/2" SS	2
17	H-RUE8	RUE RING COTTER	2

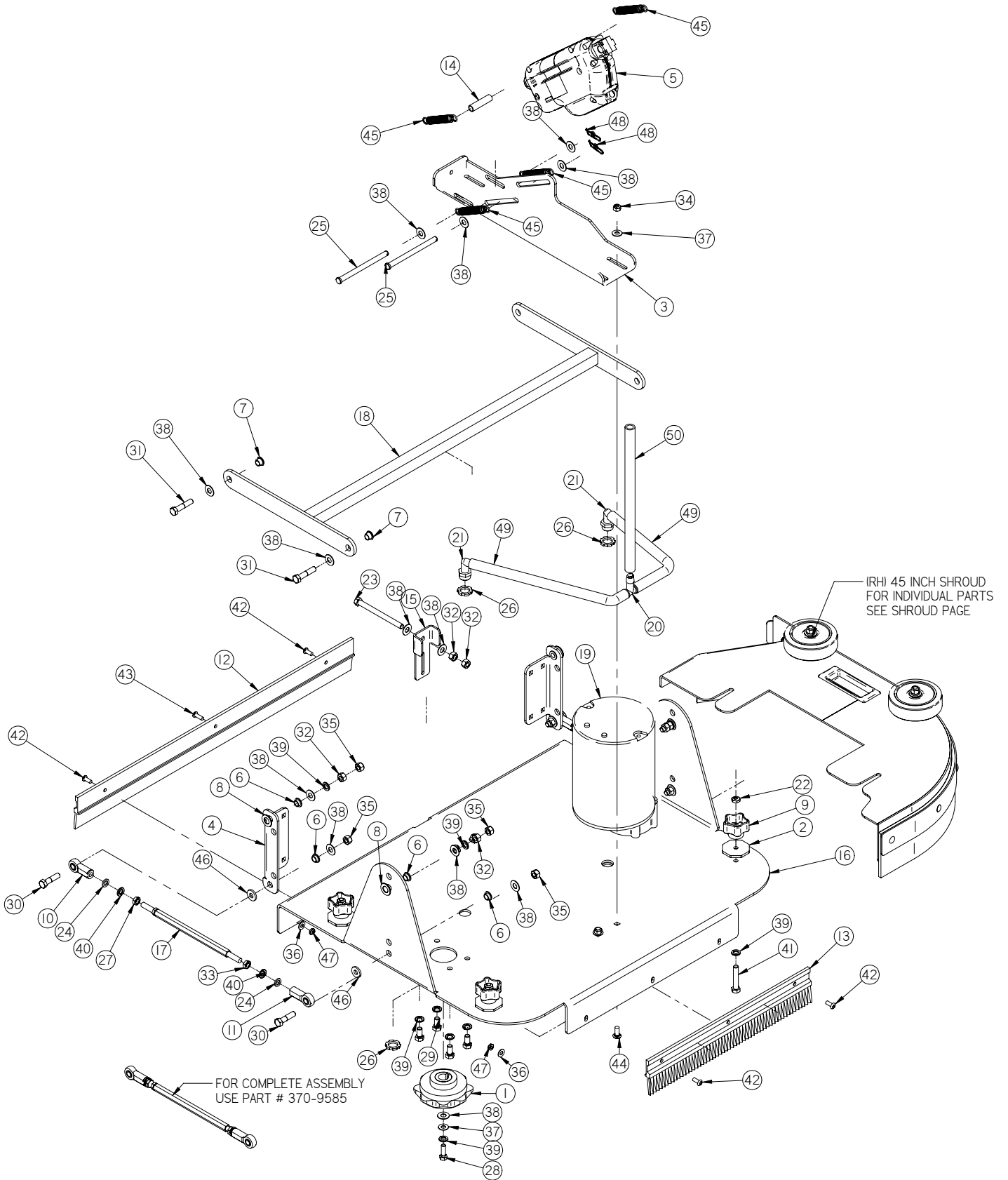
10 Front Wheel and Side Brooms



Item	Part No.	Part Description	Qty.
1	21-1126	ROLLER BRACKET	4
2	21-1127	ROLLER	8
3	250-1102	SCRUB DECK LIFTING BRACKET	1
4	250-2240	2" STROKE 36V ACTUATOR 450 LB LOAD	1
5	290-1128	LOWER ROLLER BRACKET	2
6	370-1100	MAIN FRAME	1
7	370-1126	DOUBLE ROLLER BRACKET (40")	1
8	4-4230	3/4" X 1" X 1/2" FLG BEARING	2
9	H-0129159	JNYL, 1/2"-13, 18-8 SS	1
10	H-0156777	1/2" X 4" CLEVIS PIN	1
11	H-03660	.50 ID SHAFT COLLAR WITH SET SCREW	2
12	H-11319	HB 5/8"- 11 X 4"	8
13	H-13217	HCS 1/2"-13 X 3-1/2" SS	2
14	H-37038	JNYL 5/8"- 11	8
15	H-70860	NYLOK 1/4"- 20 SS	9
16	H-70861	NYLOK 5/16" - 18 SS	8
17	H-71013	FNW 1/4" X 5/8" SS	8
18	H-71015	FW 5/16" X 3/4" SS	7
19	H-71021	FW 1/2" USS	2
20	H-71065	LW 5/16" SS	6
21	H-74419	CB 1/4"- 20 X .75" SS	22
22	H-74429	CB 5/16"- 18 X 3/4" SS	2
23	H-74430	CB 5/16"- 18 X 1" SS	8
24	H-RUE22	1/2" RUE RING COTTER	1

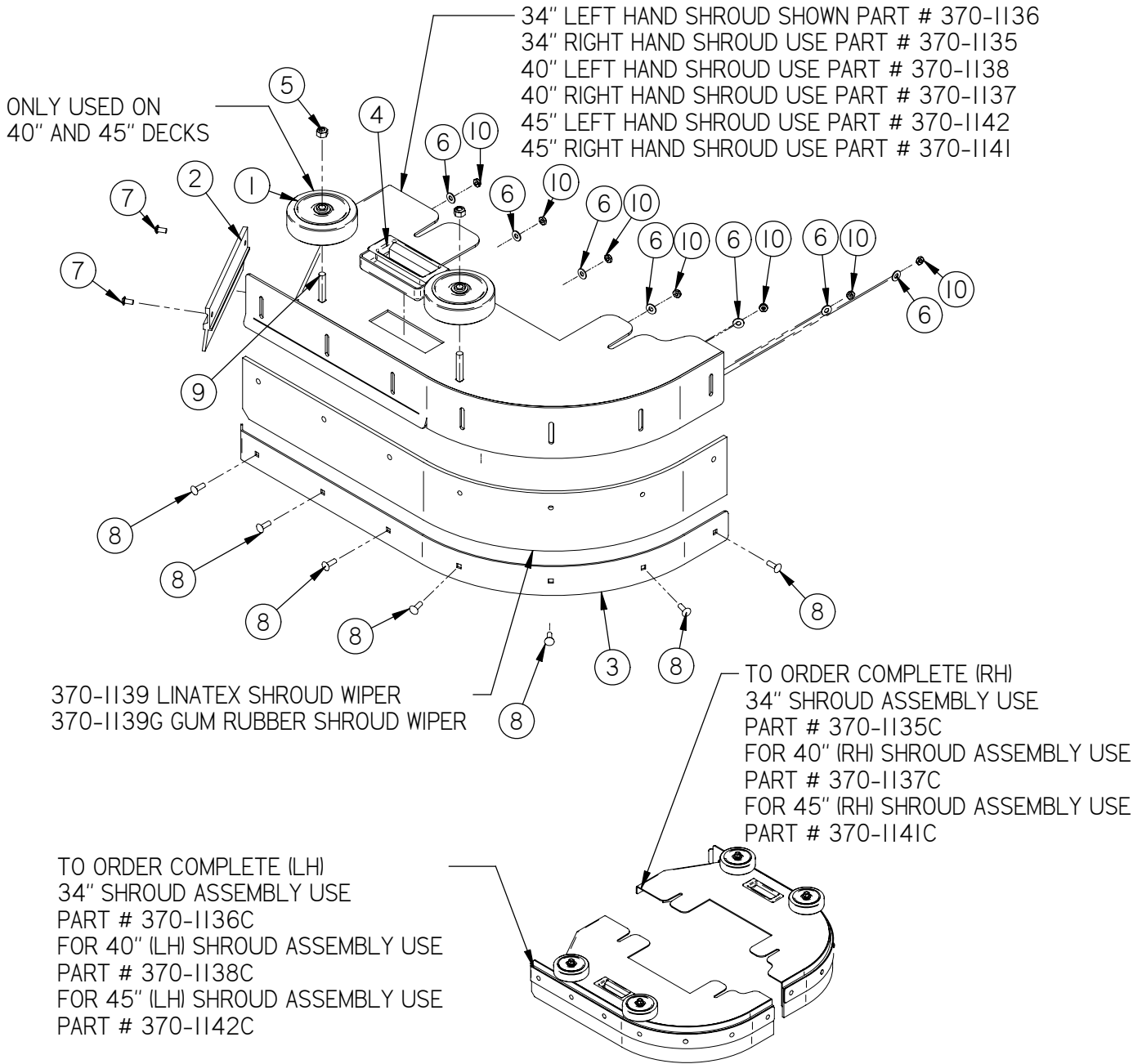


Item	Part No.	Part Description	Qty.
1	21-5000	BRUSH DRIVER	2
2	250-1084	SHROUD ADJUSTMENT KNOB	4
3	250-1103	DISK SCRUB DECK BRACKET	1
4	250-1265	SCRUB ARM BRACKET	2
5	250-2210	4" STROKE 36V ACTUATOR 1000 LB LOAD	1
6	290-1233	3/8" ID, 1/2" OD, 1/4" LG BEARING	8
7	290-1245	3/8" ID, 1/2" OD, 3/8" LG, FLANGE BEARING	4
8	290-1247	BRONZE THRUST BEARING, .50" ID X 1.0" OD X 1/16" TH	4
9	290-5787	STAR KNOB, 3/8-24 THREAD	4
10	290-9584	ROD END, 3/8-24 LEFT HAND THREAD	2
11	290-9585	ROD END, 3/8-24 RIGHT HAND THREAD	2
12	370-0015	FRONT DISK DECK CURTAIN	1
13	370-0016	REAR DISK DECK CURTAIN	1
14	370-1081	SLEEVE BEARING	1
15	370-4020	DISK SCRUB DECK	1
16	370-4022	ACTUATOR ADJUSTMENT BRACKET	1
17	370-9584	ADJUSTABLE LATERAL ARM BODY	2
18	370-9586	LATERAL ARM (DISK)	1
19	390-2222	MOTOR 36V 1.0 HP X 200 RPM	2
20	5-446	1/2 " PLASTIC BARB TEE	1
21	5-447	1/2 NPT X 1/2" BARB ELBOW	2
22	H-0171004	JNYL 3/8- 24 SS	4
23	H-0172940	HCS 3/8"- 24 X 4.5" FULL THREAD SS	1
24	H-02949	3/8 ID X 5/8 OD SHIM	4
25	H-04804	3/8" X 5" CLEVIS PIN	2
26	H-07005	1/2" NPT LOCKNUT	4
27	H-36956	LH HX JAM .375-24 SS	2
28	H-70055	HCS 5/16"- 18 X 1" SS	2
29	H-70103	HCS 3/8"-16 X 3/4" SS	8
30	H-70109	HCS 3/8"- 16 X 1-1/2" SS	4
31	H-70110	HCS 3/8"- 16 X 1-3/4" SS	4
32	H-70712	HN 3/8"-16 SS	6
33	H-70832	HX JAM .375-24 SS	2
34	H-70861	NYLOK 5/16" - 18 SS	4
35	H-70862	NYLOK 3/8"-16 SS	8
36	H-71013	FW 1/4" X 5/8" SS	5
37	H-71015	FW 5/16" X 3/4" SAE SS	6
38	H-71017	FW 3/8" X 7/8" SS	18
39	H-71067	LW 3/8" SS	22
40	H-72949	HCS 3/8"- 24 X 2" SS FULL THREADED	4
41	H-73753	BHSCS 1/4 - 20 X 5/8" SS	4
42	H-73754	BHSCS 1/4 - 20 X 3/4" SS	1
43	H-74429	CB 5/16"- 18 X 3/4" SS	4
44	H-96544	SPRING, 4-1/8" LG X 9/16" OD (42E)	4
45	H-98025	FW 3/8" GRADE 8	4
46	H-99001	FW 3/8" SS	2
47	H-NJ04C	JNYL 1/4" - 20 SS	5
48	H-RUE14	3/8" RUE RING COTTER	2

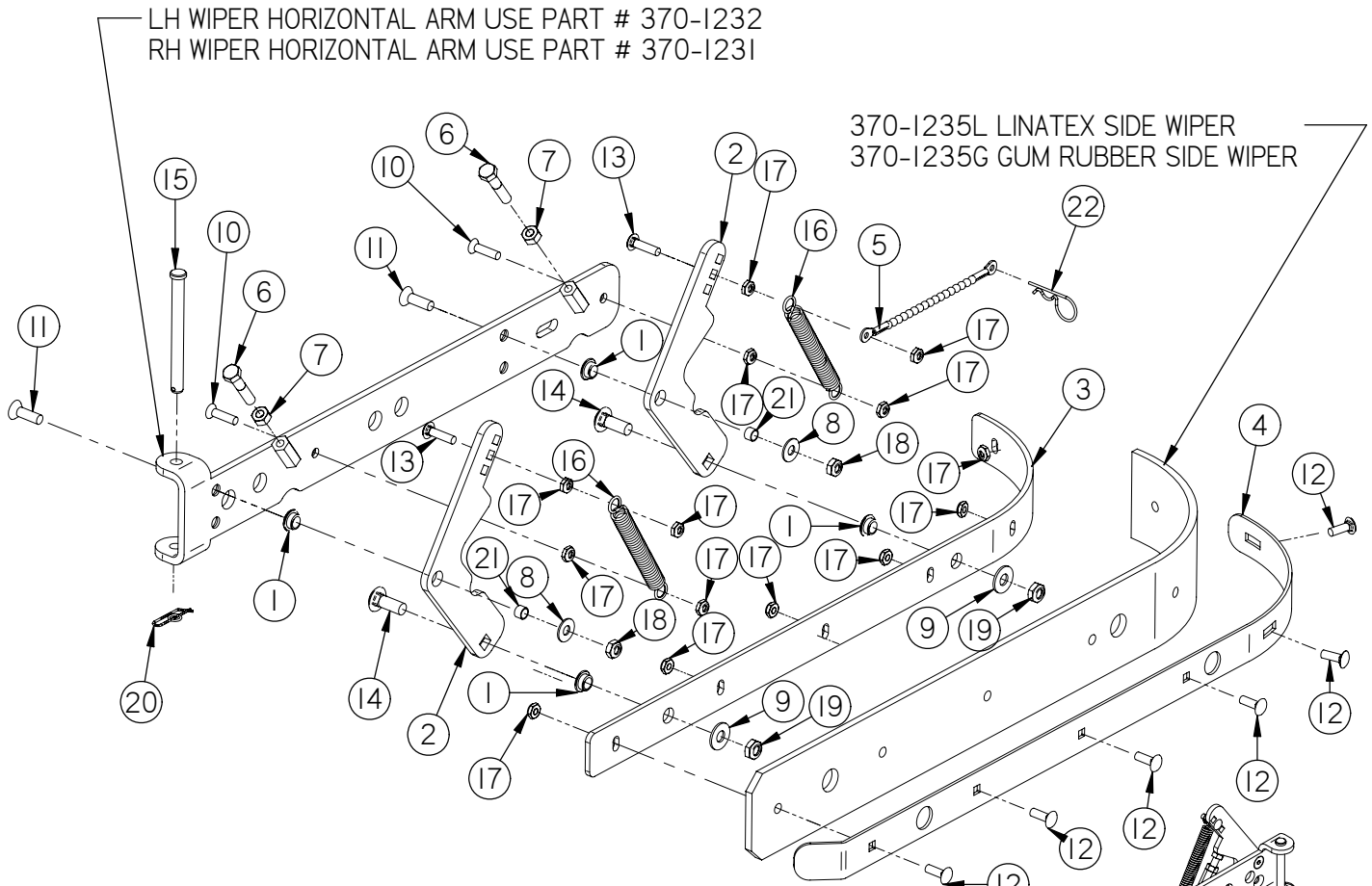


Item	Part No.	Part Description	Qty.
1	21-5000	BRUSH DRIVER	2
2	250-1084	SHROUD ADJUSTMENT KNOB	4
3	250-1103	DISK SCRUB DECK BRACKET	1
4	250-1265	SCRUB ARM BRACKET	2
5	250-2210	4" STROKE 36V ACTUATOR 1000 LB LOAD	1
6	290-1233	3/8" ID, 1/2" OD, 1/4" LG BEARING	8
7	290-1245	3/8" ID, 1/2" OD, 3/8" LG, FLANGE BEARING	4
8	290-1247	BRONZE THRUST BEARING, .50" ID X 1.0" OD X 1/16" TH	4
9	290-5787	STAR KNOB, 3/8-24 THREAD	4
10	290-9584	ROD END, 3/8-24 LEFT HAND THREAD	2
11	290-9585	ROD END, 3/8-24 RIGHT HAND THREAD	2
12	370-0022	FRONT DISK DECK CURTAIN	1
13	370-0023	REAR DISK DECK CURTAIN	1
14	370-1081	SLEEVE BEARING	1
15	370-4022	DISK DECK HEIGHT ADJUSTMENT	1
16	370-4023	45" DISK SCRUB DECK	1
17	370-9584	ADJUSTABLE LATERAL ARM BODY	2
18	370-9589	LATERAL ARM (DISK)	1
19	390-2222	MOTOR 36V 1.0 HP X 200 RPM	2
20	5-446	1/2" PLASTIC BARB TEE	1
21	5-447	1/2 NPT X 1/2" BARB ELBOW	2
22	H-0171004	JNYL 3/8- 24 SS	4
23	H-0172940	HCS 3/8"- 24 X 4.5" FULL THREAD SS	1
24	H-02949	3/8 ID X 5/8 OD SHIM	4
25	H-04804	3/8" X 5" CLEVIS PIN	2
26	H-07005	1/2" NPT LOCKNUT	4
27	H-36956	LH HX JAM .375-24 SS	2
28	H-70055	HCS 5/16"- 18 X 1" SS	2
29	H-70103	HCS 3/8"-16 X 3/4" SS	8
30	H-70109	HCS 3/8"- 16 X 1-1/2" SS	4
31	H-70110	HCS 3/8"- 16 X 1-3/4" SS	4
32	H-70712	HN 3/8"-16 SS	6
33	H-70832	HX JAM .375-24 SS	2
34	H-70861	NYLOK 5/16" - 18 SS	4
35	H-70862	NYLOK 3/8"-16 SS	8
36	H-71013	FW 1/4 ID X 5/8 OD SS	5
37	H-71015	FW 5/16 ID X 3/4 OD SS	6
38	H-71017	FW 3/8 ID X 7/8 OD SS	20
39	H-71067	LW 3/8" SS	18
40	H-71067	LW 3/8" SS	4
41	H-72949	HCS 3/8"- 24 X 2" SS FULL THREADED	4
42	H-73753	BHSCS 1/4 - 20 X 5/8" SS	4
43	H-73754	BHSCS 1/4 - 20 X 3/4" SS	1
44	H-74429	CB 5/16"- 18 X 3/4" SS	4
45	H-96544	SPRING, 4-1/8" LG X 9/16" OD (42E)	4
46	H-98025	FW 3/8" GRADE 8	4
47	H-NJ04C	JNYL 1/4" - 20 SS	5
48	H-RUE14	3/8" RUE RING COTTER	2
49	T-050R1400	1/2" ID X 14" LG WIRE REINF. CLEAR TUBE	2
50	T-050R2100	1/2" X 21" LG. REINFORCED HOSE	1

16 Shrouds

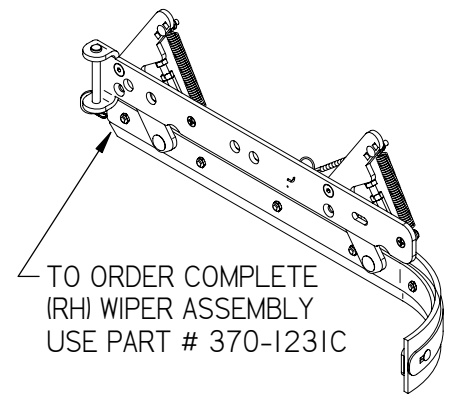


Item	Part No.	Part Description	Qty.
1	190-3030	4.0" WHEEL (GRAY)	2
2	370-0017	40" SHROUD CURTAIN	1
3	370-1140	SHROUD CURTAIN BAND (34" & 40")	1
4	5-849	RECESSED HANDLE	1
5	H-70862	NYLOK 3/8"-16 SS	2
6	H-71013	FW 1/4" X 5/8" SS	7
7	H-73752	BHSCS 1/4 - 20 X 5/8" SS	2
8	H-74419	CB 1/4"- 20 X .75" SS	7
9	H-74439	CB 3/8"- 16 X 2.0" SS	2
10	H-NJ04C	JNYL 1/4" - 20 SS	9



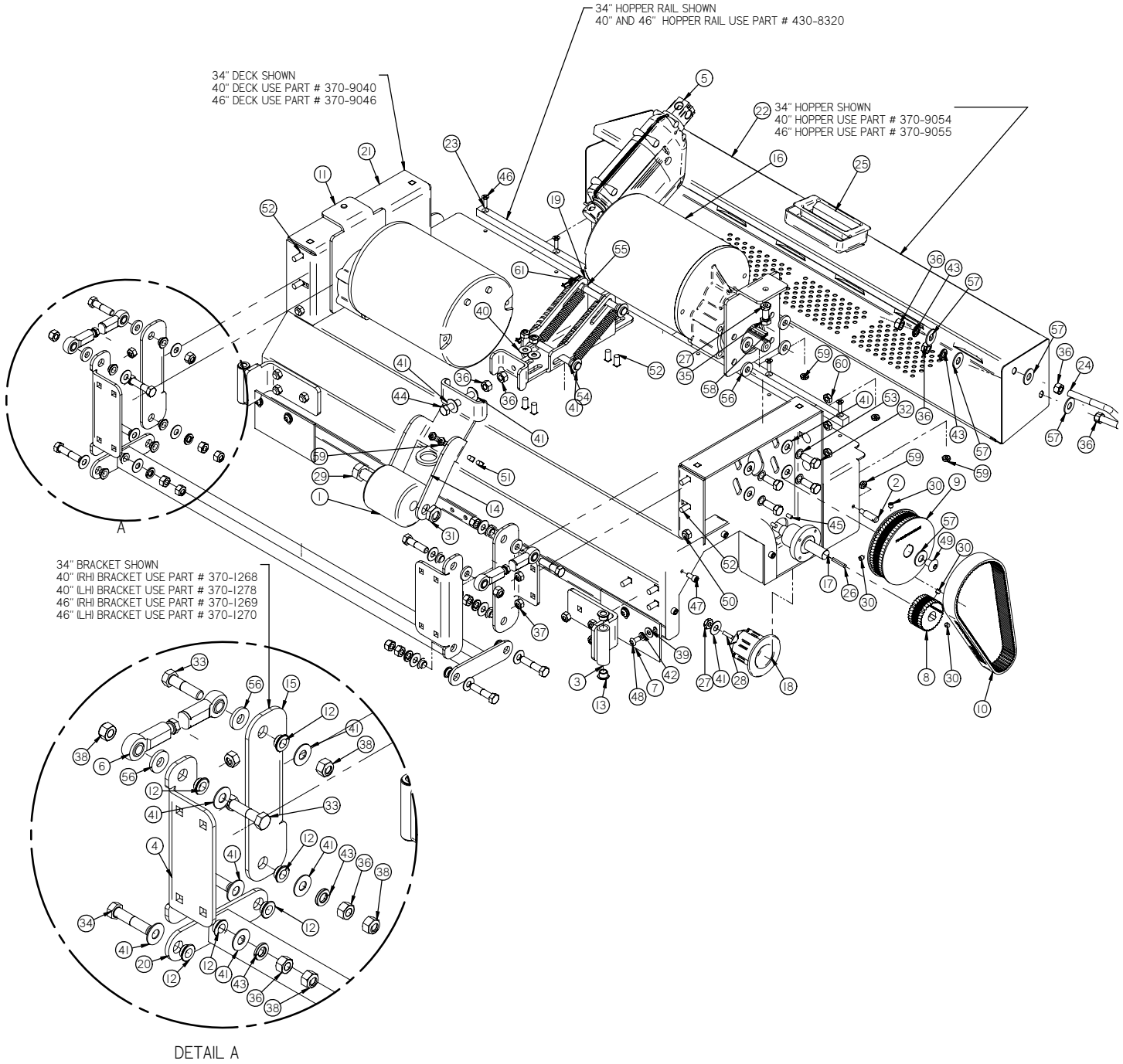
Item	Part Number	Part Description	Qty
1	290-1233	3/8" ID, 1/2" OD, 1/4" LG BEARING	4
2	370-1233	SHROUD VERTICAL ARM	2
3	370-1234	INNER CYLINDRICAL WIPER BAND	1
4	370-1236	OUTER CYLINDRICAL WIPER BAND	1
5	370-4060	6" LANYARD	1
6	H-70059	HCS 5/16"- 18 X 1-1/2"	2
7	H-70711	HN 5/16"- 18 SS	2
8	H-71015	FW 5/16" X 3/4" SAE SS	2
9	H-71017	FW 3/8" X 7/8" SS	2
10	H-72710	FHP 1/4"- 20 X 1" SS	2
11	H-73908	FHSCS 5/16"- 18 X 1" SS	2
12	H-74419	CB 1/4"- 20 X .75" SS	6
13	H-74420	CB 1/4"- 20 X 1.0" SS	2
14	H-74436	CB 3/8"- 16 X 1.0" SS	2
15	H-923903	3/8" X 4" CLEVIS PIN	1
16	H-96544	SPRING, 4-1/8" LG X 9/16" OD (42E)	2
17	H-NJ04C	JNYL 1/4" - 20 SS	14
18	H-NJ05C	JNYL 5/16"- 18 SS	2
19	H-NJ06C	JNYL 3/8- 16 SS	2
20	H-RUE14	3/8" RUE RING COTTER	1
21	M-6391K403	.312 ID X .375 OD X .25 LG BEARING SLEEVE	2
22	M-92391A044	HAIRPIN, 5/16" - 3/8" X 1-7/16" S/S	1

TO ORDER COMPLETE (LH) WIPER ASSEMBLY USE PART # 370-1232C



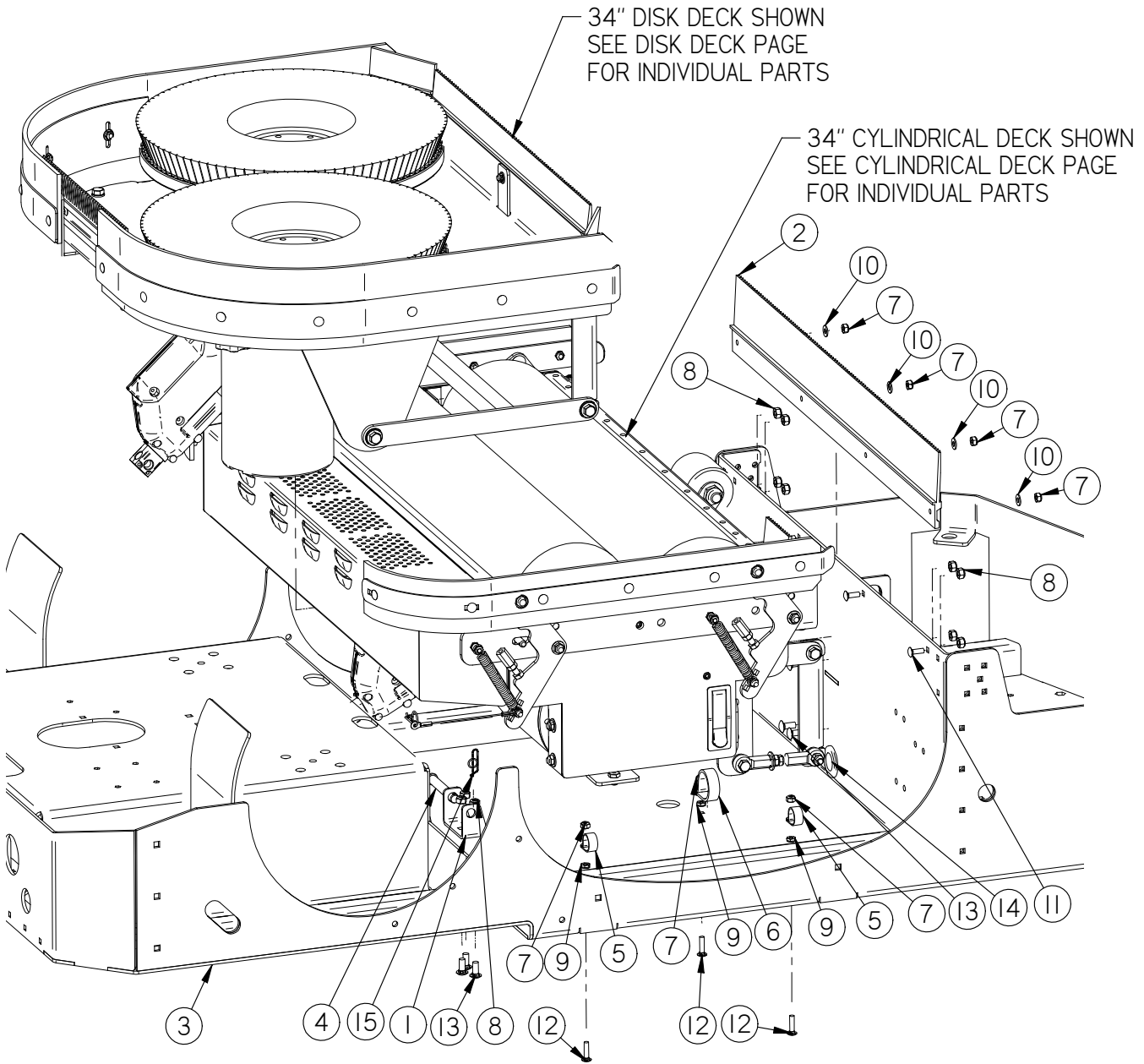
TO ORDER COMPLETE (RH) WIPER ASSEMBLY USE PART # 370-1231C

18 Cylindrical Decks



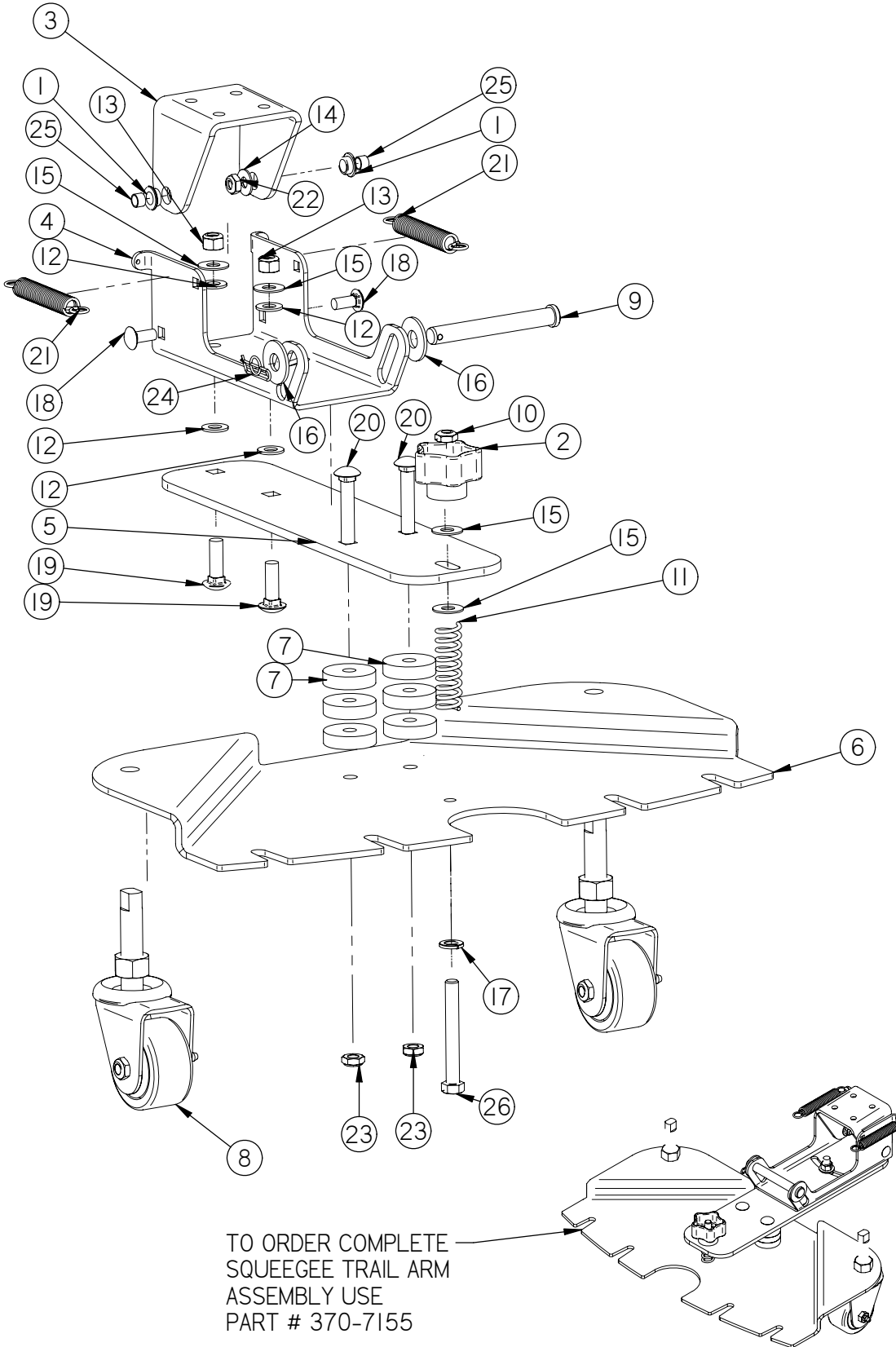
Item	Part No.	Part Description	Qty.
1	21-1127	ROLLER	1
2	250-0001	RETAINER PIN	2
3	250-1230	SHROUD HINGE	2
4	250-1265	SCRUB ARM BRACKET	2
5	250-2240	2" STROKE 36V ACTUATOR 450 LB LOAD	1
6	250-8430	ADJUSTABLE LATERAL ARM	2
7	250-9010	CYLINDRICAL CURTAIN	2
8	253-8215	TIMING SPROCKET 32 TOOTH	2
9	253-8225	TIMING SPROCKET 68 TOOTH	2
10	253-8230	565-5M-25 HI-PERFORMANCE PD PLUS BELT	2
11	253-9002	MOTOR ADJ BRACKET	2
12	290-1233	3/8" ID, 1/2" OD, 1/4" LG BEARING	12
13	290-1245	3/8" ID, 1/2" OD, 3/8" LG, FLANGE BEARING	4
14	370-1237	ROLLER BRACKET	1
15	370-1267	34" CYLINDRICAL LIFTING BRACKET	2
16	370-2220	MOTOR 36V 1.5 HP X 350 RPM, 2.2" SHAFT	2
17	370-8240A	BEARING HOUSING/BEARING	2
18	370-8370	BRUSH DRIVER/IDLER (NEW STYLE)	2
19	370-9003	CYLINDRICAL LIFTING BRACKET	1
20	370-9020	370 CYL. LATERAL ARM	1
21	370-9034	CYLINDRICAL BRUSHHEAD, 34"	1
22	370-9053	34" HOPPER	1
23	390-8320	HOPPER RAIL	1
24	5-834	HOPPER HANDLE	1
25	5-849	RECESSED HANDLE	1
26	H-01125	3/16" X 1" KEY	2
27	H-0171004	JNYL 3/8- 24 SS	4
28	H-0953152	3/16" X 3/4" KEY	2
29	H-11319	HB 5/8"- 11 X 4"	1
30	H-25379	SETScrew, KCP, 1/4"-20 X 1/4"	8
31	H-37038	JNYL 5/8"- 11	1
32	H-70105	HCS 3/8"- 16 X 1" SS	8
33	H-70109	HCS 3/8"- 16 X 1-1/2" SS	4
34	H-70110	HCS 3/8"- 16 X 1-3/4" SS	4
35	H-70142	HCS 3/8"- 24 X 1" S/S	2
36	H-70712	HN 3/8"-16 SS	10
37	H-70861	NYLOK 5/16" - 18 SS	16
38	H-70862	NYLOK 3/8"-16 SS	8
39	H-71013	FW 1/4" X 5/8" SS	4
40	H-71015	FW 5/16" X 3/4" SAE SS	10
41	H-71017	FW 3/8" X 7/8" SS	28
42	H-71063	LW 1/4" SS	4
43	H-71067	LW 3/8" SS	6
44	H-71190	HCS 3/8"- 16 X 2-1/2" SS (FULLY THREADED)	1
45	H-72682	FHP #10-32 X 1/2" SS	8
46	H-72684	FHP 10-32 X 3/4" SS	6
47	H-73459	SHCS 1/4-20 X 1/2 SS	8
48	H-73752	BHSCS 1/4 - 20 X 5/8" SS	4
49	H-73811	BHSCS 3/8"- 16 X 1/2" SS	2
50	H-744??	CB 5/16"- 18 X 1/2" SS	8
51	H-74417	CB 1/4"- 20 X .5" SS	2
52	H-74429	CB 5/16"- 18 X 3/4" SS	14
53	H-90895	WASHER, SERRATED BELLEVILLE, 3/8", S/S	8
54	H-923903	3/8" X 4" CLEVIS PIN	2
55	H-96544	SPRING, 4-1/8" LG, 9/16 OD, (42E)	4
56	H-98025	FW 3/8" GRADE 8	12
57	H-99001	FW 3/8" SS	6
58	H-K14320	3/16" X 1 1/4" KEY	2
59	H-NJ04C	JNYL 1/4" - 20 SS	10
60	H-NJ05C	JNYL 5/16"- 18 SS	6
61	H-RUE14	3/8" RUE RING COTTER	2

Item	Part No.	Part Description	Qty.
1	370-8241A	IDLER DRIVE BEARING	1
2	370-8370	BRUSH DRIVER/IDLER (NEW STYLE)	1
3	370-9022	DRIVE COVER	1
4	5-100	GROMMET	1
5	5-130	DOOR LATCH	1
6	H-0171004	JNYL 3/8- 24 SS	1
7	H-0953152	3/16" X 3/4" KEY	1
8	H-71017	FW 3/8" X 7/8" SS	1
9	H-72682	FHP #10-32 X 1/2" SS	4

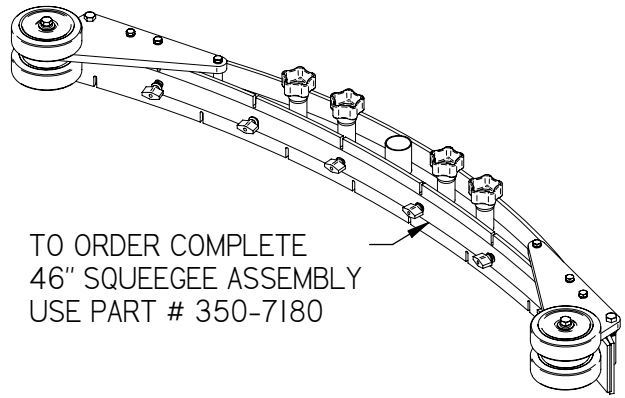


Item	Part No.	Part Description	Qty.
1	250-1102	SCRUB DECK LIFTING BRACKET	1
2	370-0019	FRONT WALL CURTAIN	1
3	370-1100	MAIN FRAME	1
4	H-0156776	1/2" X 3.5" CLEVIS PIN	1
5	H-32258	RUBBER LOOP CLAMP, 1.0" #16	2
6	H-3225T	RUBBER LOOP CLAMP, 1-1/2"	1
7	H-70860	NYLOK 1/4"- 20 SS	7
8	H-70861	NYLOK 5/16" - 18 SS	16
9	H-70925	KN 1/4-20 S/S	3
10	H-71013	FNW 1/4" X 5/8" SS	4
11	H-74419	CB 1/4"- 20 X .75" SS	3
12	H-74420	CB 1/4"- 20 X 1.0" SS	3
13	H-74429	CB 5/16"- 18 X 3/4" SS	6
14	H-9307K74	GROMMET, 1" ID X 1-3/4" OD BUNA-N	3
15	H-RUE22	1/2" RUE RING COTTER	1

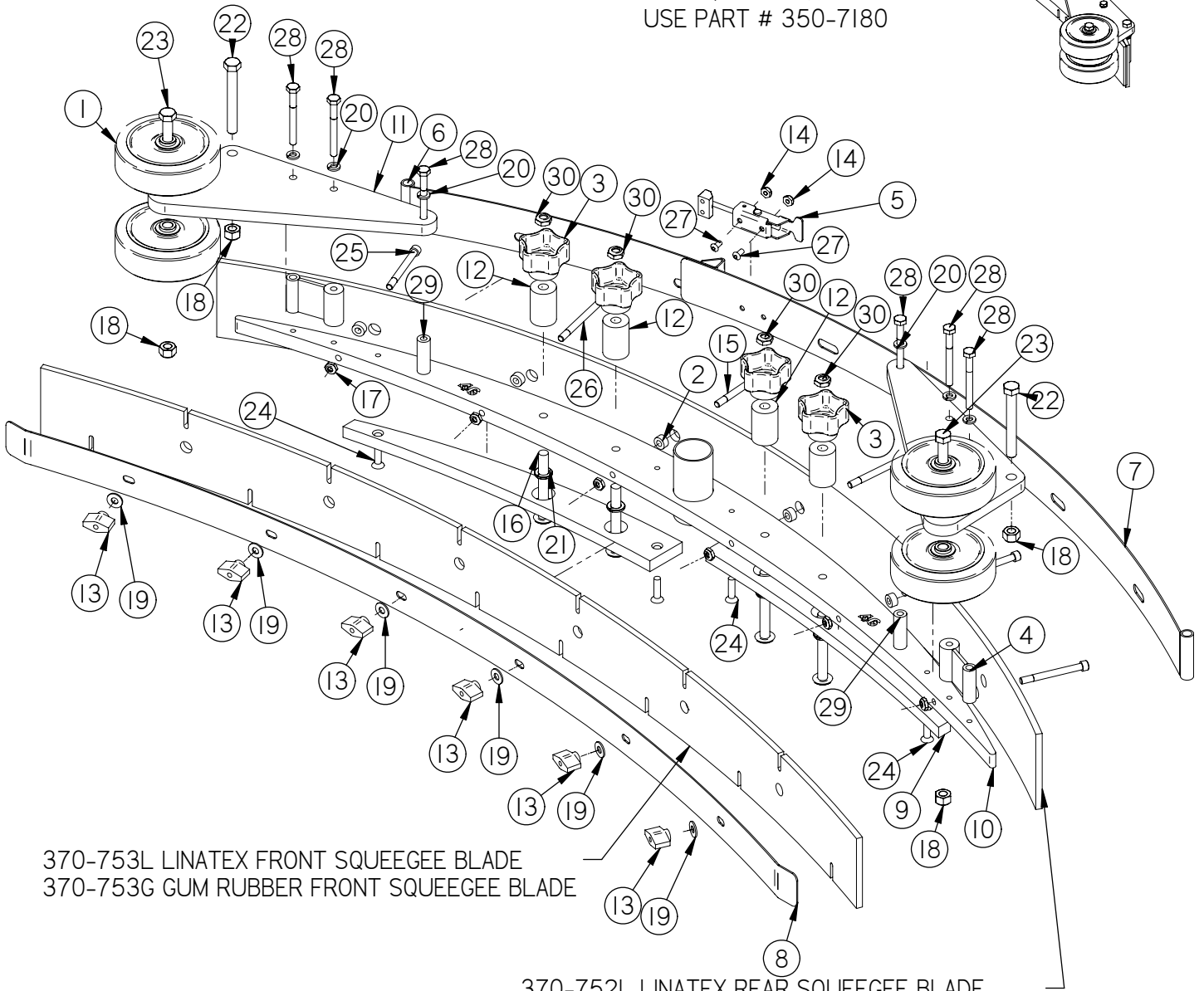
24 Squeegee Trail Arm



Item	Part No.	Part Description	Qty.
1	290-1233	3/8" ID, 1/2" OD, 1/4" LG BEARING	2
2	290-5787	STAR KNOB, 3/8-24 THREAD	1
3	370-5002	SQUEEGEE DRAG BRACKET	1
4	370-7140	SQUEEGEE SWING PLATE	1
5	370-7150	SQUEEGEE TRAIL ARM	1
6	370-7610	SQUEEGEE TRIANGLE PLATE	1
7	4-446	GROMMET-3/8 ID X 1-1/2 OD X .375	6
8	430-7570	CASTER	2
9	H-0156777	1/2" X 4" CLEVIS PIN	1
10	H-0171004	JNYL 3/8- 24 SS	1
11	H-III	SPRING, 1/2" ID X 2-1/2" LG	1
12	H-4440024	FW 3/8" X 3/4" NYLON	4
13	H-70862	NYLOK 3/8"-16 SS	2
14	H-71015	FW 5/16" X 3/4" SAE SS	2
15	H-71017	FW 3/8" X 7/8" SS	4
16	H-71021	FW 1/2" USS	2
17	H-71067	LW 3/8" SS	1
18	H-74429	CB 5/16"- 18 X 3/4" SS	2
19	H-74437	CB 3/8"- 16 X 1-1/4" SS	2
20	H-74439	CB 3/8"- 16 X 2.0" SS	2
21	H-96544	SPRING, 4-1/8" LG X 9/16" OD (42E)	2
22	H-NJ05C	JNYL 5/16"- 18 SS	2
23	H-NJ06C	JNYL 3/8- 16 SS	2
24	H-RUE22	1/2" RUE RING COTTER	1
25	M-6391K403	.312 ID X .375 OD X .25 LG BEARING SLEEVE	2
26	M-92240A362	HCS 3/8"- 24 X 3.0" SS	1



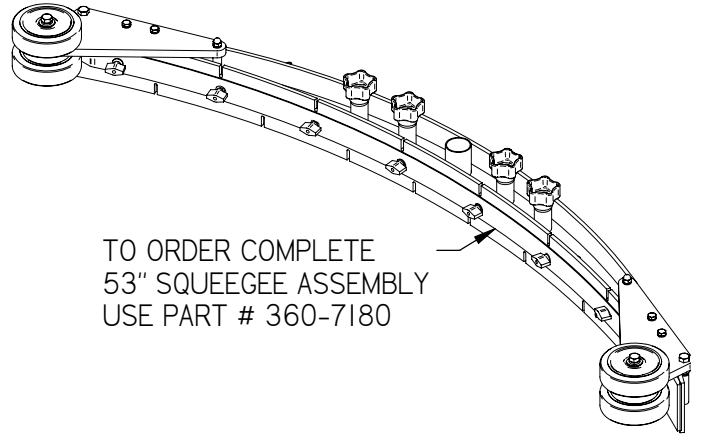
TO ORDER COMPLETE
46" SQUEEGEE ASSEMBLY
USE PART # 350-7180



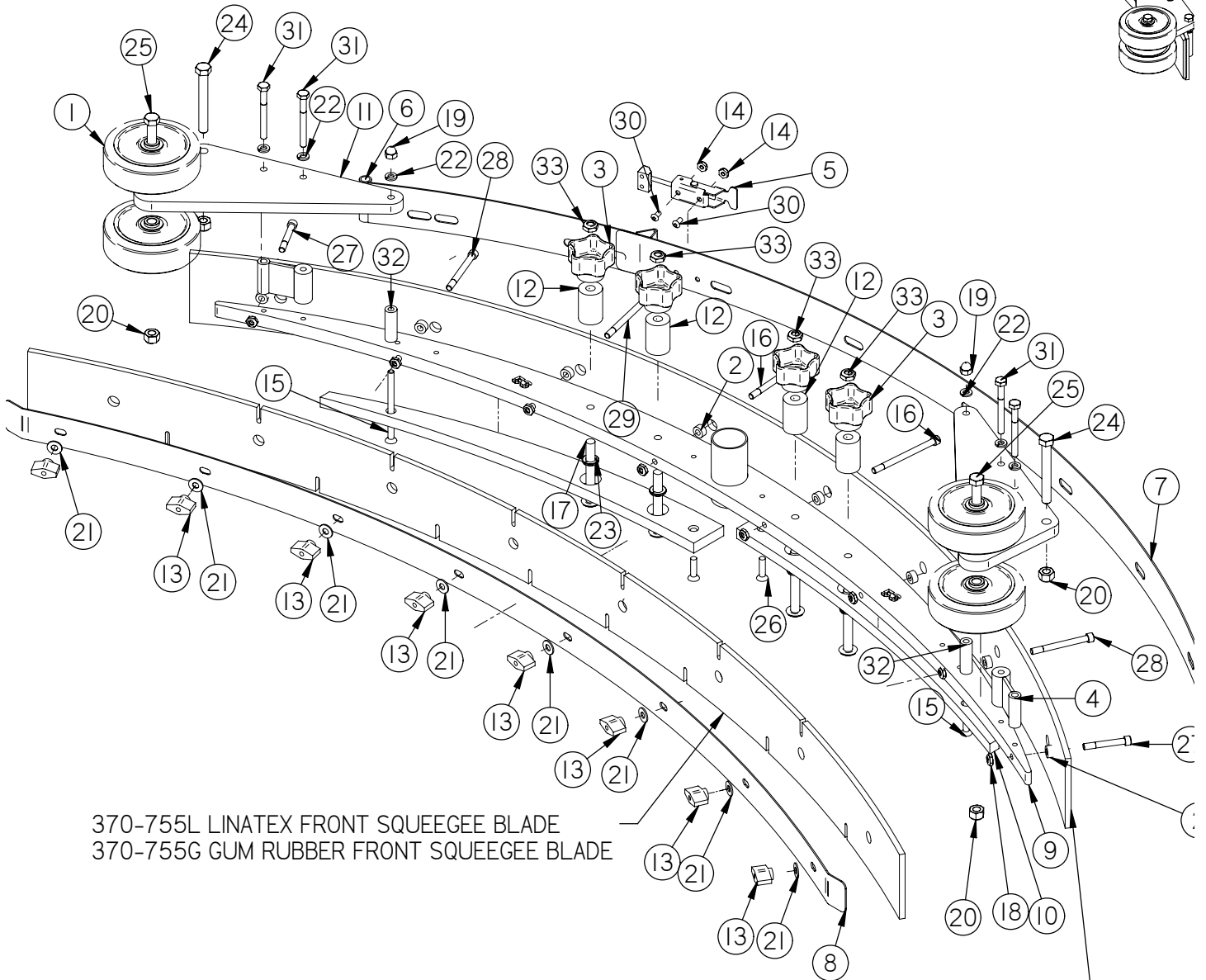
370-753L LINATEX FRONT SQUEEGEE BLADE
370-753G GUM RUBBER FRONT SQUEEGEE BLADE

370-752L LINATEX REAR SQUEEGEE BLADE
370-752G GUM RUBBER REAR SQUEEGEE BLADE

Item	Part No.	Part Description	Qty.
1	190-3030	4.0" WHEEL (GRAY)	4
2	21-2211	SPACER 1/2 OD X 1/4"	6
3	290-5786	STAR KNOB, 3/8-16 THREAD	4
4	370-0007	BAND BRACKET HOLDER	2
5	370-0124	LATCH	1
6	370-6160	REAR SQUEEGEE BAND (RH) (46")	1
7	370-6161	REAR SQUEEGEE BAND (LH) (46")	1
8	370-6170	FRONT SQUEEGEE BAND (46")	1
9	370-6182	SQUEEGEE BODY BOTTOM (46")	2
10	370-6183	46" SQUEEGEE BODY	1
11	370-7183	SQUEEGEE CASTER BRACKET	2
12	370-8460	STANDOFF, 1.5"	4
13	5-418A	CLAMPING KNOB	6
14	H-0129155	JNYL #10-32, 18-8 S/S	2
15	H-0171135	SHCS 1/4-20 X 3-1/4 SS	2
16	H-0171299	BHSCS 3/8"- 16 X 3" SS	4
17*	H-37020	JNYL 1/4" - 20	6
18	H-70862	NYLOK 3/8"-16 SS	4
19	H-71013	FW 1/4" X 5/8" SS	6
20	H-71063	LW 1/4" SS	6
21	H-71067	LW 3/8" SS	4
22*	H-71191	HCS 3/8"- 16 X 3" SS	2
23	H-71193	HCS 3/8"- 16 X 4" SS	2
24	H-72710	FHP 1/4"- 20 X 1" SS	4
25	H-73468	SHCS 1/4-20 X 2.5 SS	2
26	H-73470	SHCS 1/4-20 X 3.0 SS	2
27	H-73742	BHSCS 10-32 X 3/8" SS	2
28	H-77013	HCS 1/4"- 20 X 2.5" SS	6
29	H-92321	.252 ID X .50 OD X 2.25 LG SPACER	2
30	H-NJ06C	JNYL 3/8- 16 SS	4



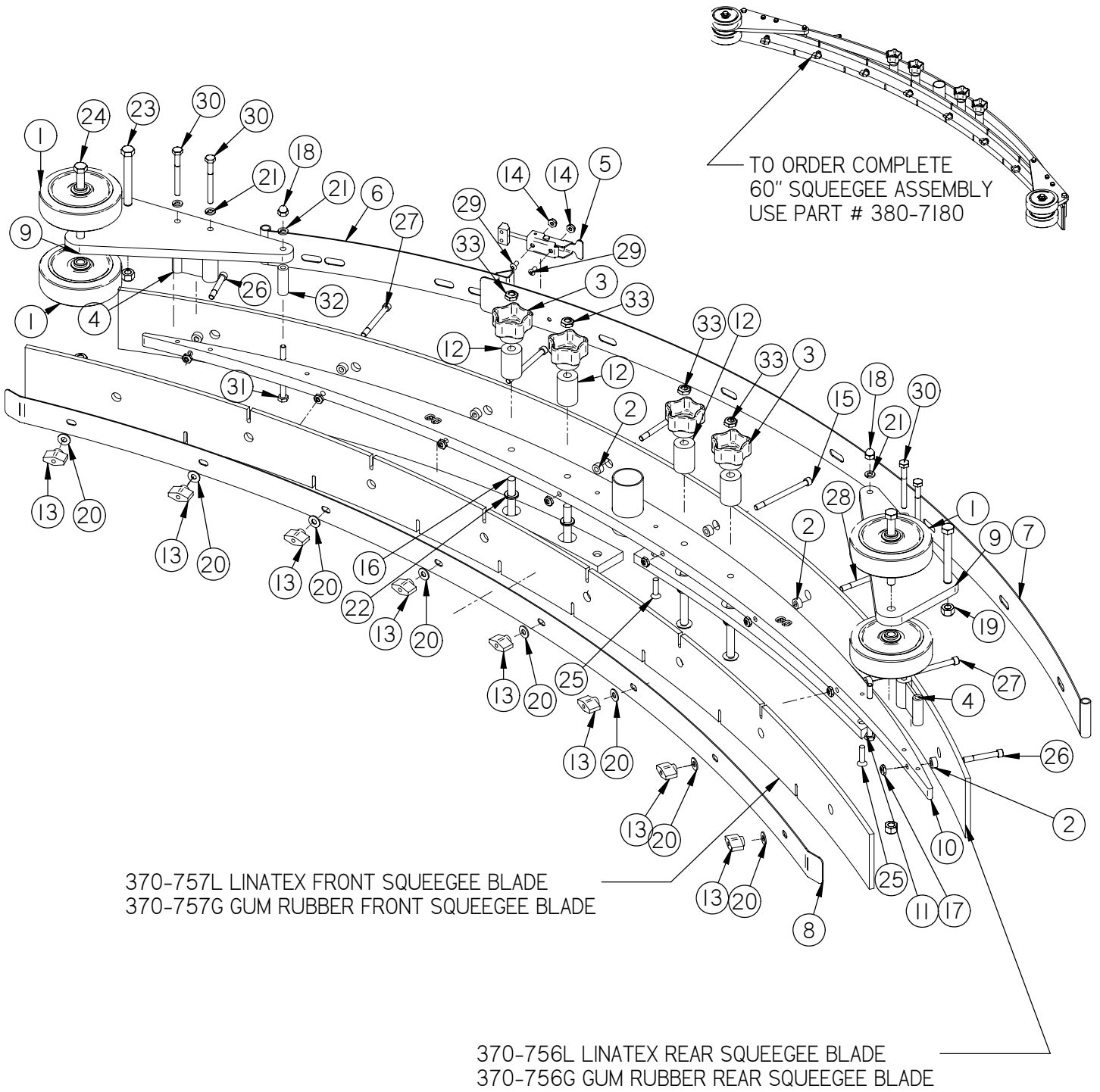
TO ORDER COMPLETE
53" SQUEEGEE ASSEMBLY
USE PART # 360-7180



370-755L LINATEX FRONT SQUEEGEE BLADE
370-755G GUM RUBBER FRONT SQUEEGEE BLADE

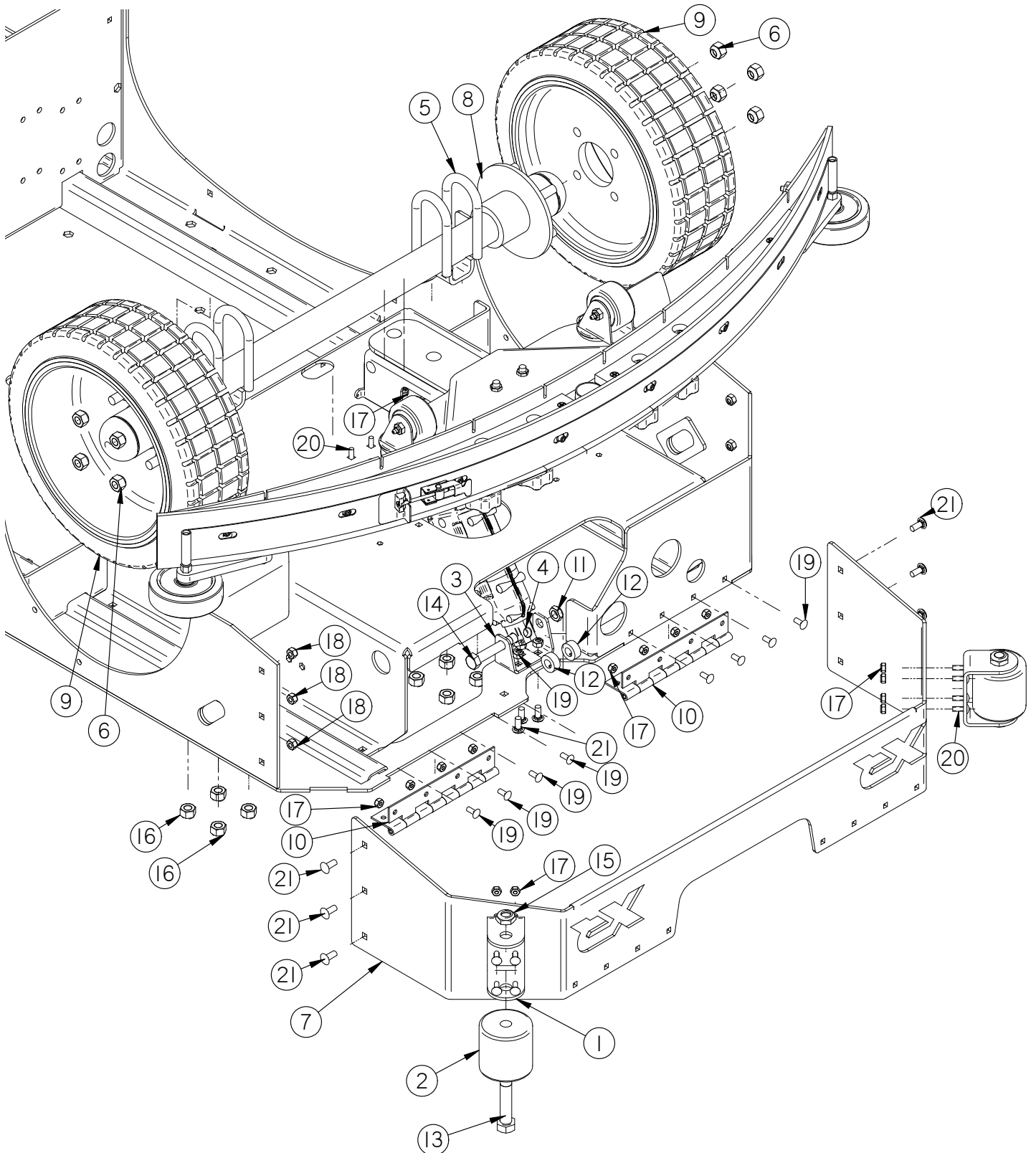
370-754L LINATEX REAR SQUEEGEE BLADE
370-754G GUM RUBBER REAR SQUEEGEE BLADE

Item	Part No.	Part Description	Qty.
1	190-3030	4.0" WHEEL (GRAY)	4
2	21-2211	SPACER 1/2 OD X 1/4"	8
3	290-5786	STAR KNOB, 3/8-16 THREAD	4
4	370-0007	BAND BRACKET HOLDER	2
5	370-0124	LATCH	1
6	370-7160	REAR SQUEEGEE BAND (RH)	1
7	370-7161	REAR SQUEEGEE BAND (LH) 53"	1
8	370-7170	FRONT SQUEEGEE BAND	1
9	370-7181	53" SQUEEGEE BODY	1
10	370-7182	SQUEEGEE BODY BOTTOM	2
11	370-7183	SQUEEGEE CASTER BRACKET	2
12	370-8460	STANDOFF, 1.5"	4
13	5-418A	CLAMPING KNOB	8
14	H-0129155	JNYL #10-32, 18-8 S/S	2
15	H-0170133	FHP 1/4"- 20 X 3-1/2"	2
16	H-0171135	SHCS 1/4-20 X 3-1/4 SS	2
17	H-0171299	BHSCS 3/8"- 16 X 3" SS	4
18	H-37020	JNYL 1/4" - 20	8
19	H-37708	1/4-20 LC ACORN NUT	2
20	H-70862	NYLOK 3/8"-16 SS	4
21	H-71013	FW 1/4" X 5/8" SS	8
22	H-71063	LW 1/4" SS	6
23	H-71067	LW 3/8" SS	4
24	H-71191	HCS 3/8"- 16 X 3" SS	2
25	H-71193	HCS 3/8"- 16 X 4" SS	2
26	H-72710	FHP 1/4"- 20 X 1" SS	2
27	H-73465	SHCS 1/4-20 X 1.75 SS	2
28	H-73468	SHCS 1/4-20 X 2.5 SS	2
29	H-73470	SHCS 1/4-20 X 3.0 SS	2
30	H-73742	BHSCS 10-32 X 3/8" SS	2
31	H-77013	HCS 1/4"- 20 X 2.5" SS	4
32	H-92321	.252 ID X .50 OD X 2.25 LG SPACER	2
33	H-NJ06C	JNYL 3/8- 16 SS	4

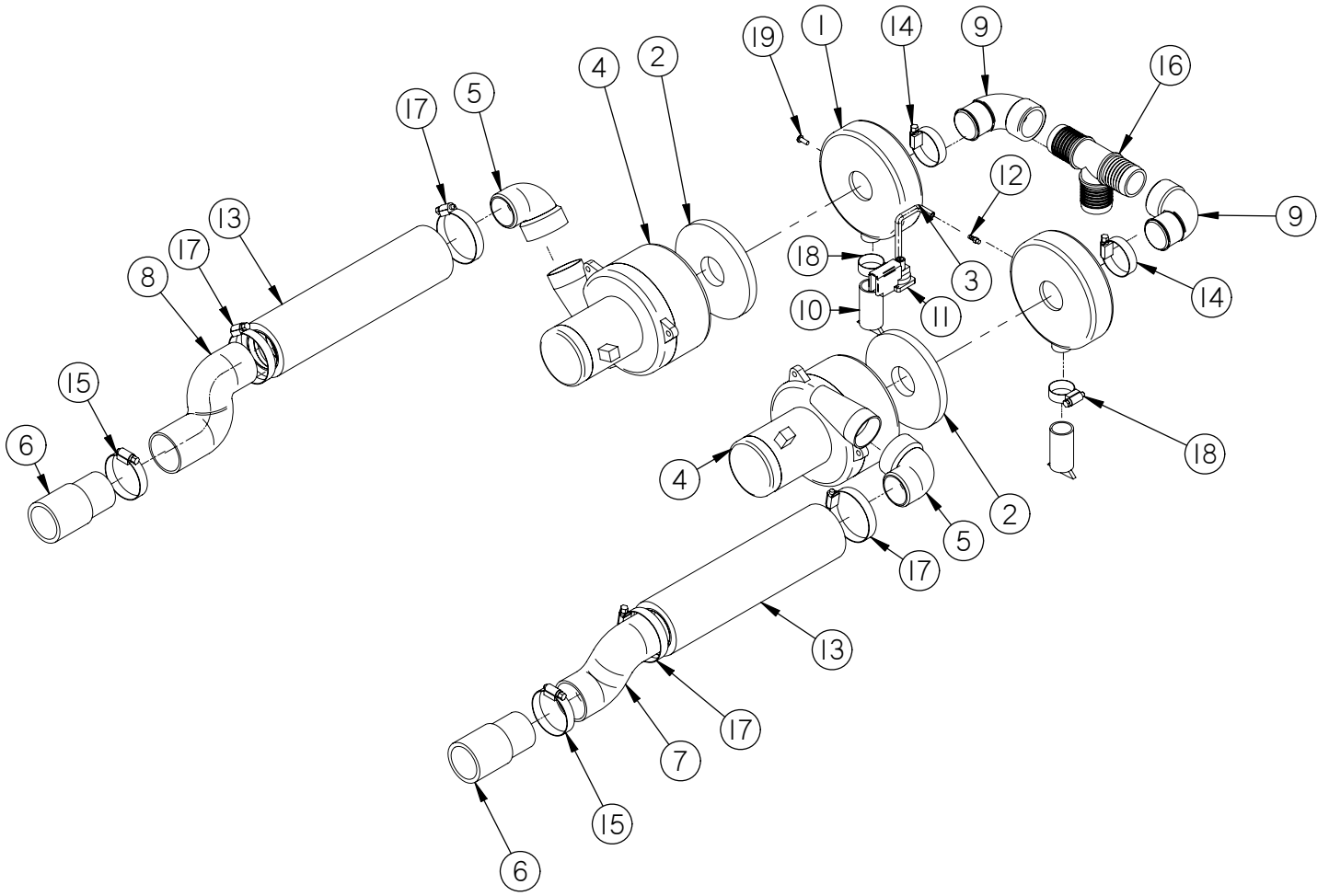


Item	Part No.	Part Description	Qty.
1	190-3030	4.0" WHEEL (GRAY)	4
2	21-2211	SPACER 1/2 OD X 1/4"	8
3	290-5786	STAR KNOB, 3/8-16 THREAD	4
4	370-0007	BAND BRACKET HOLDER	2
5	370-0124	LATCH	1
6	370-7160	REAR SQUEEGEE BAND (RH)	1
7	370-7163	REAR SQUEEGEE BAND (LH 60")	1
8	370-7171	FONT SQUEEGEE BAND (60")	1
9	370-7183	SQUEEGEE CASTER BRACKET	2
10	370-7191	60" SQUEEGEE BODY	1
11	370-7192	SQUEEGEE BODY BOTTOM (60")	2
12	370-8460	STANDOFF, 1.5"	4
13	5-418A	CLAMPING KNOB	8
14	H-0129155	JNYL #10-32, 18-8 S/S	2
15	H-0171135	SHCS 1/4-20 X 3-1/4 SS	2
16	H-0171299	BHSCS 3/8"- 16 X 3" SS	4
17	H-37020	JNYL 1/4" - 20	8
18	H-37708	1/4-20 LC ACORN NUT	2
19	H-70862	NYLOK 3/8"-16 SS	4
20	H-71013	FW 1/4" X 5/8" SS	8
21	H-71063	LW 1/4" SS	6
22	H-71067	LW 3/8" SS	4
23	H-71191	HCS 3/8"- 16 X 3" SS	2
24	H-71193	HCS 3/8"- 16 X 4" SS	2
25	H-72710	FHP 1/4"- 20 X 1" SS	4
26	H-73465	SHCS 1/4-20 X 1.75 SS	2
27	H-73468	SHCS 1/4-20 X 2.5 SS	2
28	H-73470	SHCS 1/4-20 X 3.0 SS	2
29	H-73742	BHSCS 10-32 X 3/8" SS	2
30	H-77013	HCS 1/4"- 20 X 2.5" SS	4
31	H-77015	HCS 1/4"- 20 X 3.0" SS	2
32	H-92321	.252 ID X .50 OD X 2.25 LG SPACER	2
33	H-NJ06C	JNYL 3/8- 16 SS	4

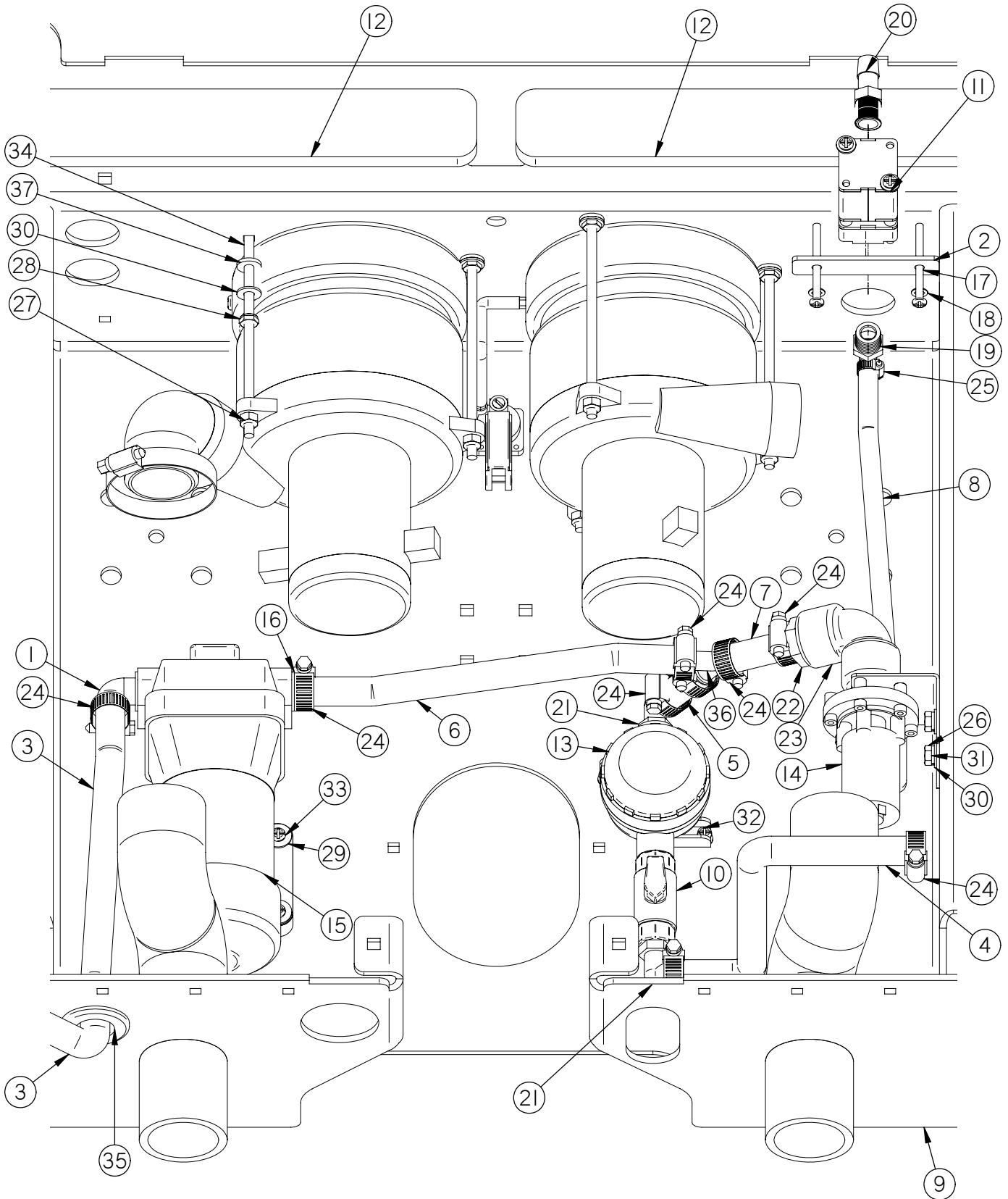
32 Squeegee Trail Arm and Rear Axle



Item	Part No.	Part Description	Qty.
1	21-1126	ROLLER BRACKET	2
2	21-1127	ROLLER	2
3	250-1102	SCRUB DECK LIFTING BRACKET	1
4	250-2240	2" STROKE 36V ACTUATOR 450 LB LOAD	1
5	290-6186	1/2-20 X 1-1/4 " U BOLT	4
6	290-6187	LUG NUT, 1/2"- 20	8
7	370-1105	REAR BUMPER	1
8	370-6040	REAR AXLE	1
9	370-6180	14" REAR WHEEL (BLACK RUBBER) TREADED	2
10	5-122	HINGE 8" SS	2
11	H-0129159	JNYL, 1/2"-13, 18-8 SS	1
12	H-03660	.50 ID SHAFT COLLAR WITH SET SCREW	2
13	H-11319	HB 5/8"- 11 X 4"	2
14	H-13217	HCS 1/2"-13 X 3-1/2" SS	1
15	H-37038	JNYL 5/8"- 11	2
16	H-37130	NYLOK NUT, 1/2"- 20	8
17	H-70860	NYLOK 1/4"- 20 SS	17
18	H-70861	NYLOK 5/16" - 18 SS	9
19	H-74418	CB 1/4"- 20 X 5/8" S/S	8
20	H-74419	CB 1/4"- 20 X .75" SS	12
21	H-74429	CB 5/16"- 18 X 3/4" SS	9

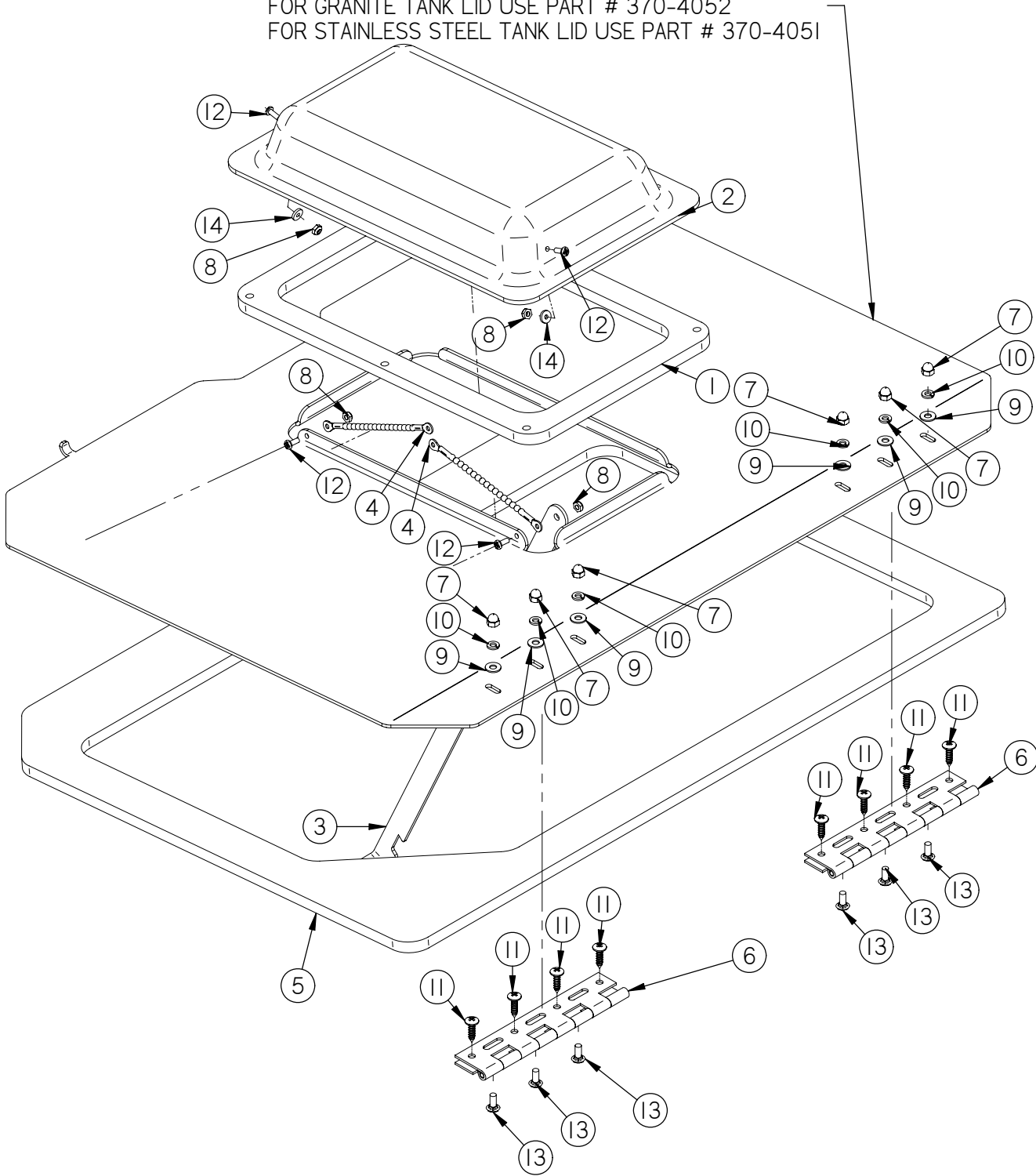


Item	Part No.	Part Description	Qty.
1	190-1450	VAC BOX	2
2	190-3002	VAC MOTOR GASKET	2
3	250-0119	1/4" ID X 9-1/2" HOSE	1
4	250-5250	36V VAC MOTOR, TANGENTIAL	2
5	250-7291	EXHAUST ELBOW	2
6	290-7212	1-1/2" - 2" HOSE CUFF	2
7	370-0122	VAC FAN MUFFLER	1
8	370-0122	VAC MUFFLER HOSE	1
9	370-4072	1-1/2" 90%DI ELBOW	2
10	390-1505	LOADER VALVE	2
11	390-2328	SWITCH, VACUUM SHUTOFF	1
12	390-2328A	VACUUM SWITCH BARB	1
13	430-2502	VACUUM FAN MUFFLER	2
14	5-719	CLAMP 1 9/16 - 2 1/2 " SS	2
15	5-719	CLAMP 1 9/16 - 2 1/2 " SS	2
16	8-914	1.5" BARBED TEE	1
17	H-0427637	CLAMP 2" - 3"	4
18	H-62005	CLAMP 5/8"- 1-1/2" SS	2
19	H-72515	PPH #10-32 X 1/2" S/S	1



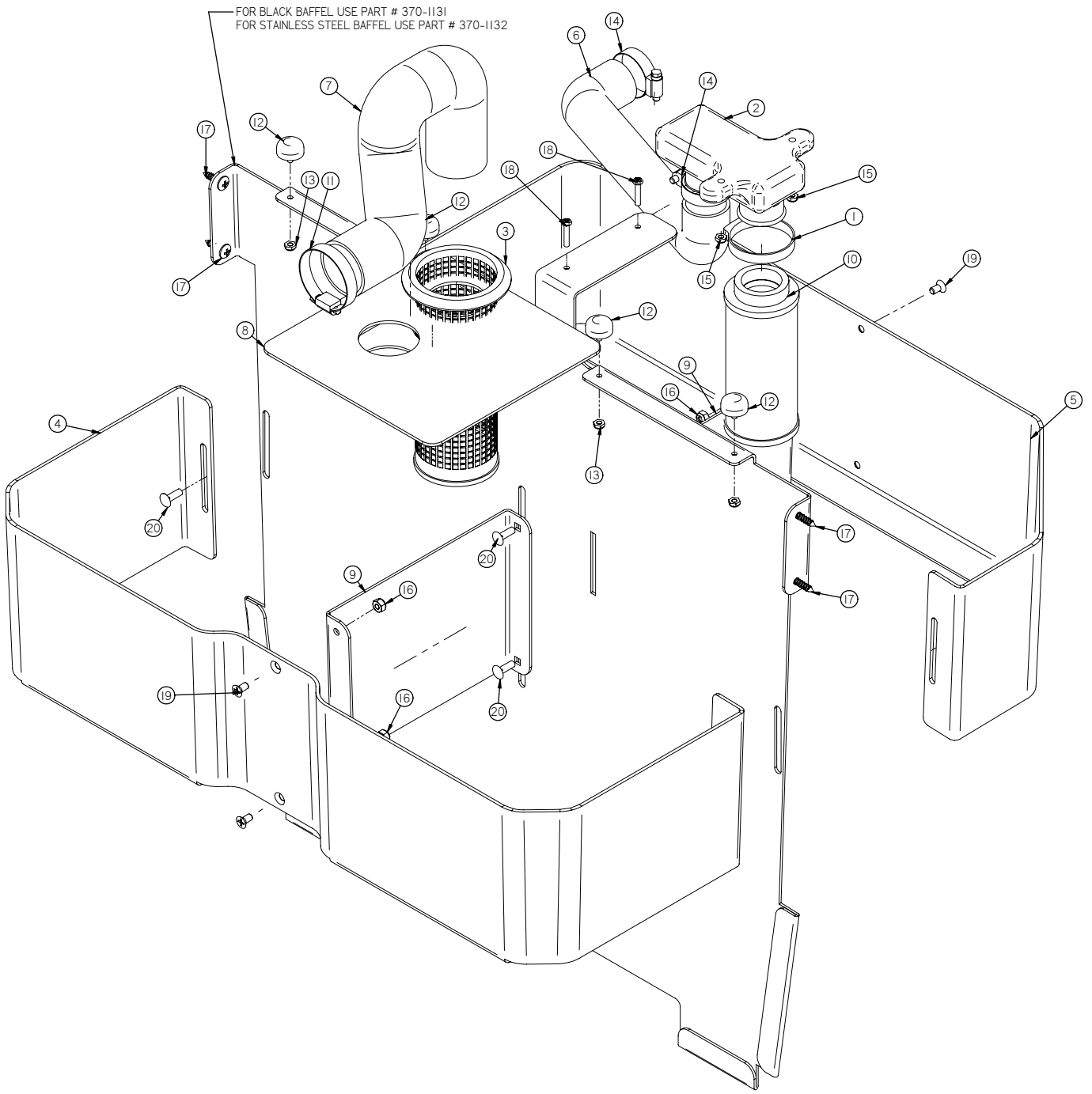
Item	Part No.	Part Description	Qty.
1	21-1601	1/2" BARBED ELBOW (PLASTIC)	1
2	250-5280	VALVE BRACKET	1
3	290-8960	SPRAY JET HOSE	1
4	370-0001	1/2" X 12" CLEAR HOSE	1
5	370-0002	OPERATORS MANUAL HOLDER	1
6	370-0003	1/2" X 10" CLEAR HOSE	1
7	370-0004	1/2" X 8" CLEAR HOSE	1
8	370-0005	3/8" X 16" CLEAR HOSE	1
9	370-1100	MAIN FRAME	1
10	370-4158	BALL VALVE, 3/8"	1
11	370-7245	FLOW VALVE	1
12	370-7421	TANK GASKET	2
13	370-9130	INLINE FILTER	1
14	390-8500	PUMP 36V DC (OPTIONAL)	1
15	430-8910	PUMP, WATER JET, 36V	1
16	5-891B	1/2" SPRAY JET BARB	1
17	H-00249	PPH #10-32 X 2 1/4" SS	2
18	H-02309	HCM #10-32, LG CRIMP	6
19	H-04762	ELBOW, 90 DEG X 3/8" MNPT X 3/8" BARB, NYLON	1
20	H-04763	.375 NPT X .50 BARB	1
21	H-04764	ELBOW, 3/8" MNPT X 1/2" BARB X 90 DEG, NYLON	2
22	H-04776	.75 NPT X .50 BARB	1
23	H-04787	.75 NPT X .75 NPT FEMALE ELBOW	1
24	H-081	CLAMP 7/16"- 25/32" SS	9
25	H-62002	HOSE CLAMP, #4 S/S	1
26	H-70003	HCS 1/4"-20 X 3/4" SS	2
27	H-70860	NYLOK 1/4"- 20 SS	6
28	H-70925	KN 1/4-20 S/S	6
29	H-71009	FW #10 SS	2
30	H-71013	FW 1/4 ID X 5/8 OD SS	8
31	H-71063	LW 1/4" SS	2
32	H-72534	PPH #10-32 X 3/4" S/S	2
33	H-72536	PPH #10-32 X 1" S/S	2
34	H-74400	CB 1/4"- 20 X 6.0" SS	6
35	H-9307K74	GROMMET, 1" ID X 1-3/4" OD BUNA-N	1
36	M-5463K727	WYE, 1/2", NYLON	1
37	M-90130A029	.25" NEOPRENE WASHER	6

FOR GRANITE TANK LID USE PART # 370-4052
FOR STAINLESS STEEL TANK LID USE PART # 370-4051



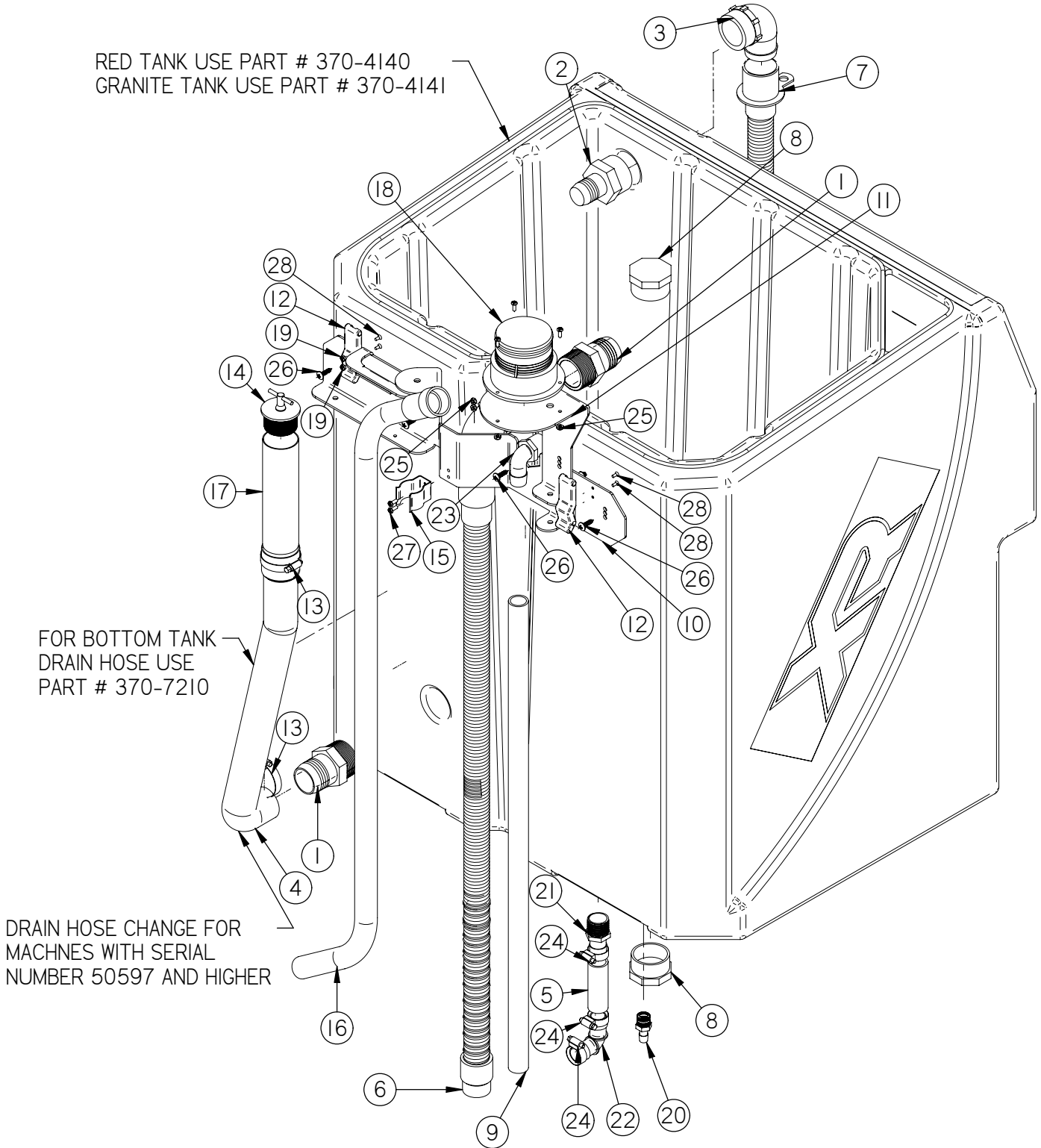
Item	Part No.	Part Description	Qty.
1	190-1075	TANK CLEAR COVER GASKET	1
2	190-1410	VAC FORMED CLEAR COVER	1
3	370-1130	HOOD STAND	1
4	370-4060	6" LANYARD	2
5	370-7420	TANK LID GASKET	1
6	5-122	HINGE 8" SS	2
7	H-37708	1/4-20 LC ACORN NUT	6
8	H-70858	NYLOK #10-32 SS	4
9	H-71013	FW 1/4" X 5/8" SS	6
10	H-71063	LW 1/4" SS	6
11	H-71894	#14 X 1" SELF TAPPING SCREW	8
12	H-72515	PPH #10-32 X 1/2" S/S	4
13	H-74418	CB 1/4"- 20 X 5/8" S/S	6
14	H-90133	.170 ID X .50 OD X .093 TH NEOPRENE WASHER	2

40 Tank Baffle

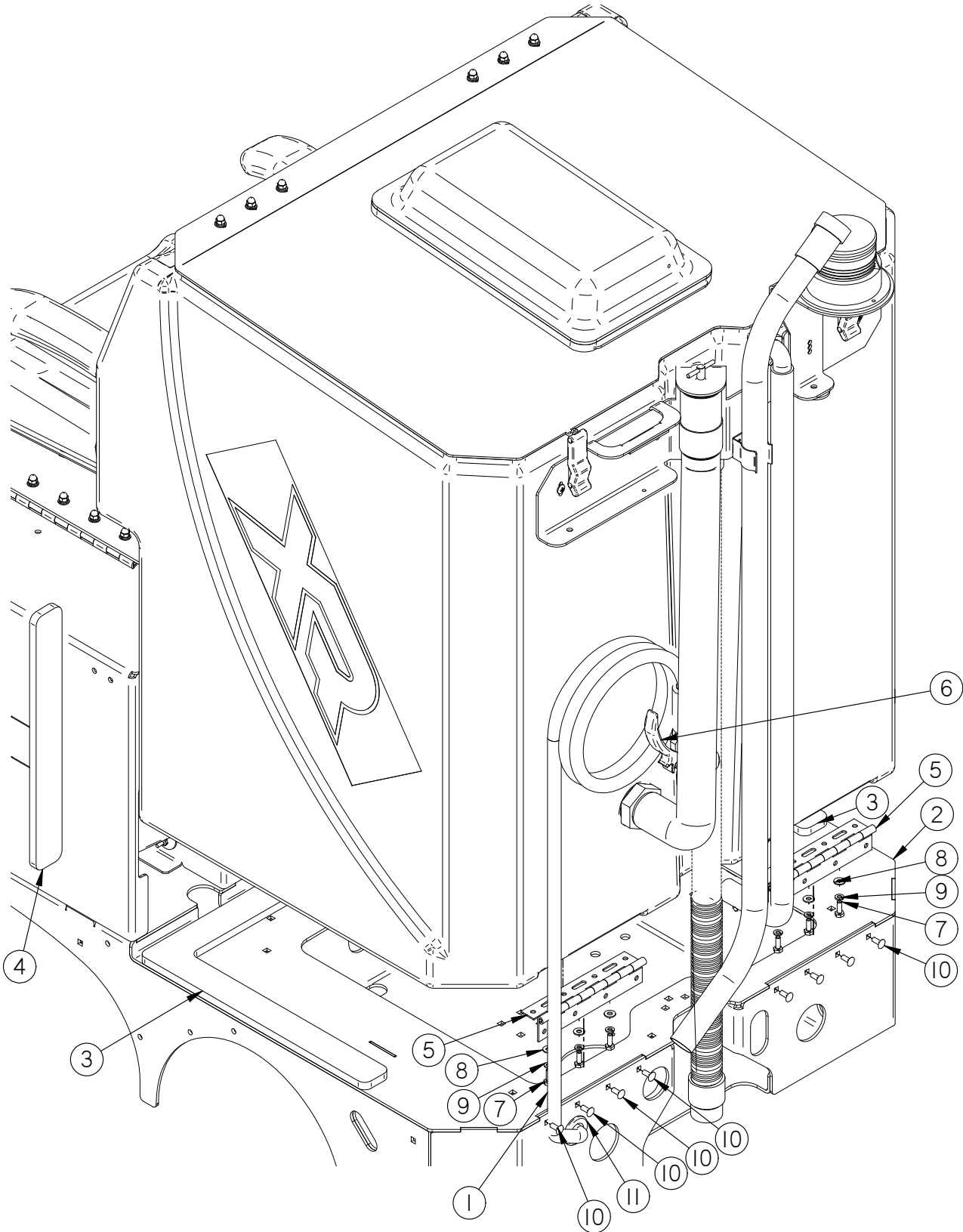


Item	Part No.	Part Description	Qty.
1	21-4028	SNAP GRIP CLAMP	1
2	21-7060	VAC BOX	1
3	250-8911	SCREEN STRAINER	1
4	370-0081	TANK BAND, REAR	1
5	370-0082	TANK BAND, FRONT	1
6	370-0120	1-1/2(ID) X 16" LG. TANK HOSE	1
7	370-0121	2"(ID) X 15" LG. TANK HOSE	1
8	370-1129	TANK BACK SPLASH	1
9	370-1133	TANK BRACE	2
10	370-4085	VAC SCREEN	1
11	5-719	CLAMP 1 9/16 - 2 1/2 " SS	1
12	H-01201	GROMMET	4
13	H-0129154	JAM NYLOK #10-24 SS	4
14	H-0427612	CLAMP 3/4"- 1-3/4" SS	2
15	H-70858	NYLOK #10-32 SS	2
16	H-70860	NYLOK 1/4"- 20 SS	8
17	H-71894	#14 X 1" SELF TAPPING SCREW	4
18	H-72536	PPH #10-32 X 1" S/S	2
19	H-72704	FHP 1/4"- 20 X 1/2" SS	4
20	H-74419	CB 1/4"- 20 X .75" SS	4

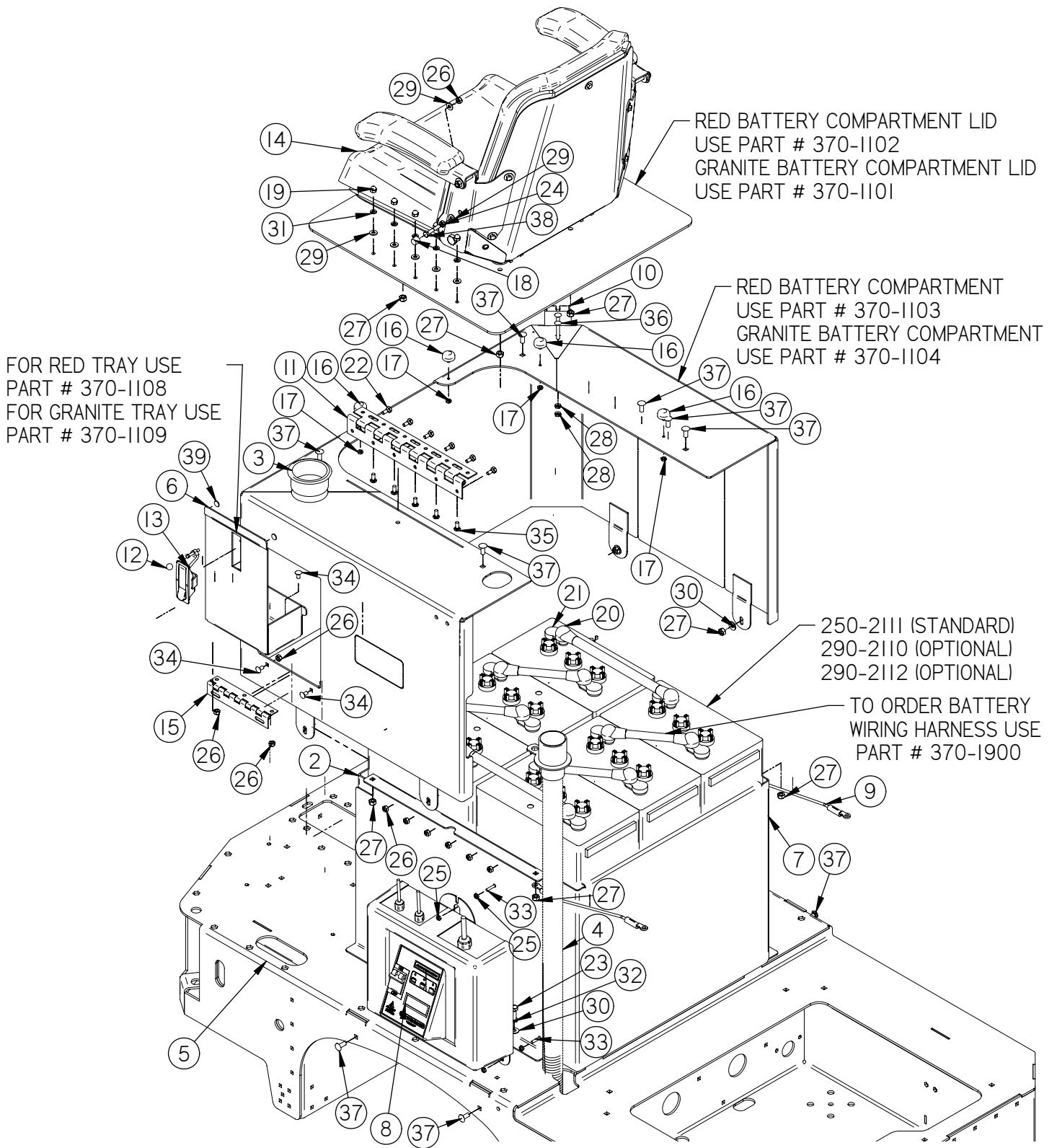
RED TANK USE PART # 370-4140
GRANITE TANK USE PART # 370-4141



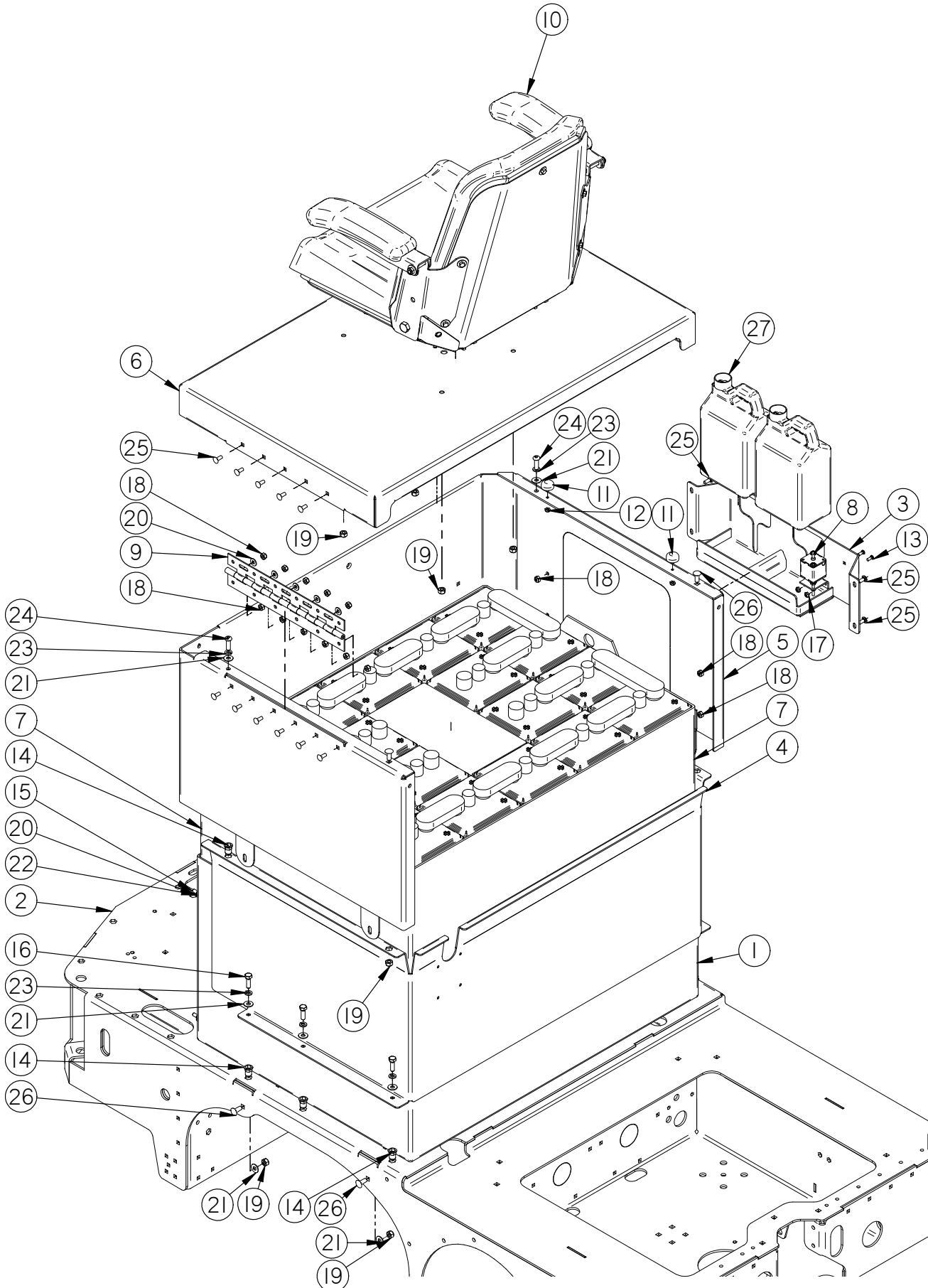
Item	Part No.	Part Description	Qty.
1	190-1210	2.0 NPT X 2.0" BARB	2
2	190-1215	2.0 NPT X 1.50 BARB	1
3	290-7040	2" NPT X 2" BARB ELBOW, BLACK	2
4	290-7210	2" DRAIN HOSE	1
5	370-0013	1" X 3-1/2" REINFORCED TUBING	1
6	370-0111	SQUEEGEE HOSE	1
7	370-0112	TANK TO VAC HOSE	1
8	370-1210	2" NPT TANK PLUG	2
9	370-1370	SIGHT TUBE	1
10	370-7180	TANK UTILITY HANDLE	1
11	370-7185	STROBE LIGHT BRACKET	1
12	4-124	LATCH	2
13	5-719	CLAMP 1 9/16 - 2 1/2 " SS	2
14	5-727	DRAIN HOSE PLUG	1
15	5-886	WAND CLIP	1
16	5-887	VAC WAND	1
17	5-920	DRAIN HOSE END TUBE	1
18	8-293	STROBE LIGHT	1
19	H-0170996	JAM NYLOK #8-32 SS	4
20	H-04788	.50 NPT X .50 BARB	1
21	H-04789	1.0 NPT X 1.0 BARB	1
22	H-04790	1.0" BARB X 1.0" BARB ELBOW	1
23	H-04791	1" NPT TO 1" BARBED ELBOW	1
24	H-62005	CLAMP 5/8"- 1-1/2" SS	3
25	H-70858	NYLOK #10-32 SS	4
26	H-71894	#14 X 1" SELF TAPPING SCREW	5
27	H-72515	PPH #10-32 X 1/2" S/S	5
28	H-72641	FHP #8-32 X 3/8" SS	4



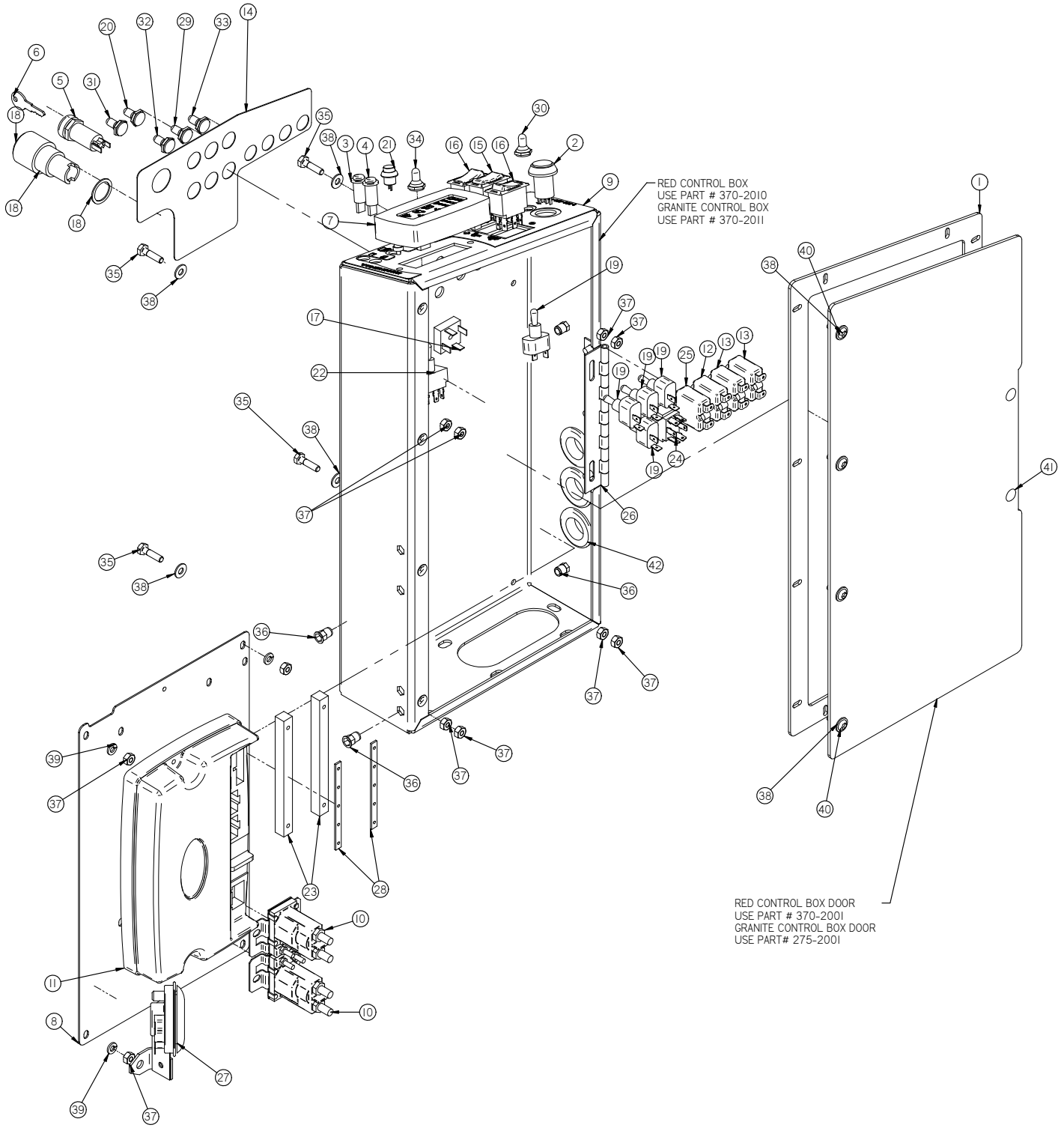
Item	Part No.	Part Description	Qty.
1	290-8960	SPRAY JET HOSE	1
2	370-1100	MAIN FRAME	1
3	370-7421	TANK GASKET	2
4	370-7422	TANK GASKET	2
5	5-122	HINGE 8" SS	2
6	5-895	SPRAY NOZZLE	1
7	H-70003	HCS 1/4"- 20 X 3/4" SS	6
8	H-71013	FNW 1/4" X 5/8" SS	5
9	H-71063	LW 1/4" SS	6
10	H-74418	CB 1/4"- 20 X 5/8" S/S	8
11	H-9307K74	GROMMET, 1" ID X 1-3/4" OD BUNA-N	1



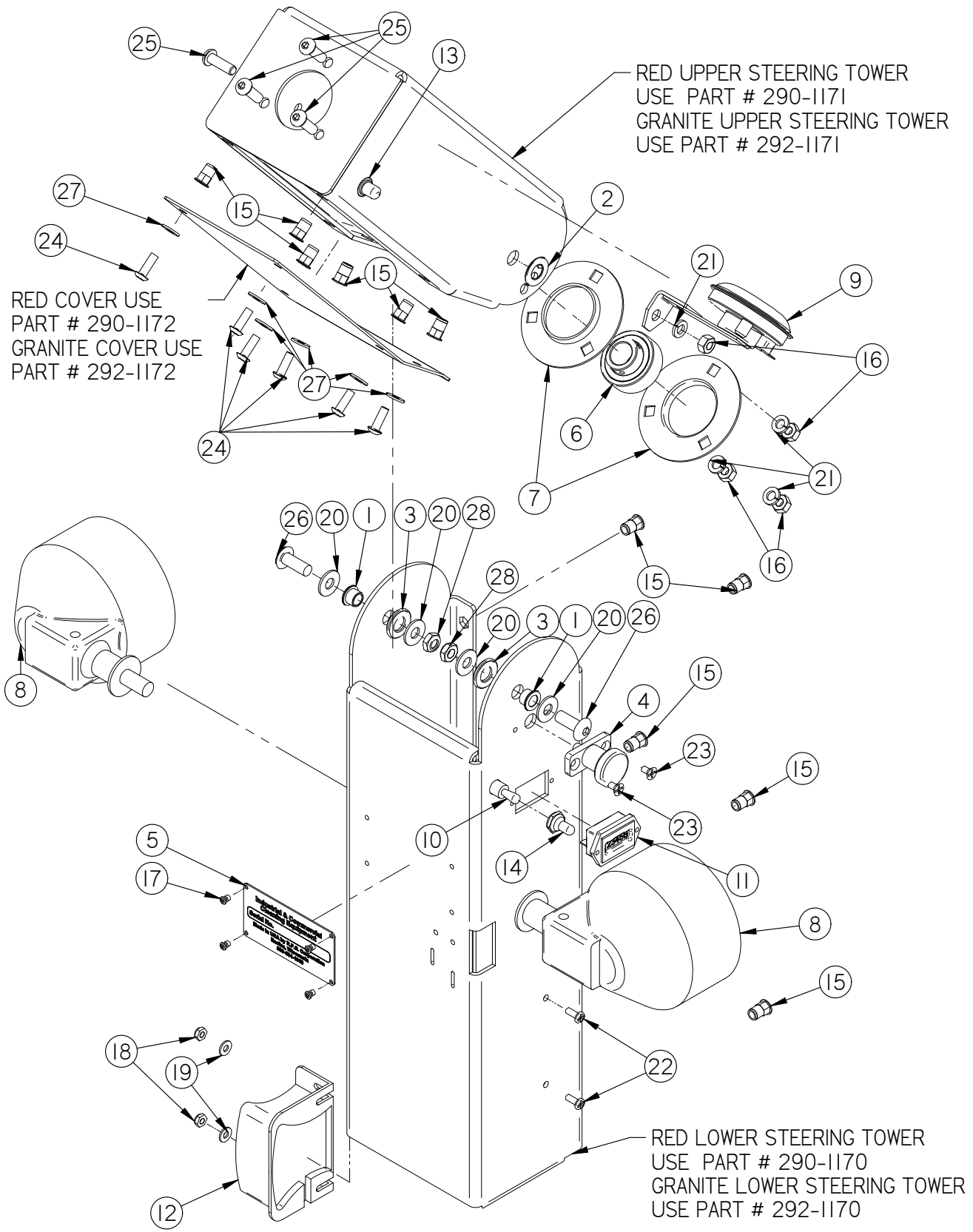
Item	Part No.	Part Description	Qty.
1	21-2230	MICRO SWITCH	1
2	370-0000	370 BATTERY BOX	1
3	370-0014	CUP HOLDER	1
4	370-0112	TANK TO VAC HOSE	1
5	370-1100	MAIN FRAME	1
6	370-1108	(2) QUART TRAY	1
7	370-1201	SEAT SUPPORT	1
8	370-2441	ON BOARD CHARGER	1
9	370-7040	TANK CABLE	2
10	390-2576	350 GREY CONNECTOR WITH I/O CONTACTS	1
11	430-1225	13" SS HINGE	1
12	5-100	GROMMET	1
13	5-130	DOOR LATCH	1
14	8-143	SEAT WITH ARM RESTS	1
15	8-180	HINGE, 6-7/8" S/S	1
16	H-01201	GROMMET	4
17	H-0129154	JAM NYLOK #10-24 SS	4
18	H-083	BOLT HEAD CAP	1
19	H-37708	1/4-20 LC ACORN NUT	5
20	H-40031	BATTERY BOOT	12
21	H-400317	TERMINAL COVER	12
22	H-70002	HCS 1/4"-20 X 1/2 SS"	6
23	H-70055	HCS 5/16"- 18 X 1" SS	4
24	H-70710	HN 1/4"- 20 SS	1
25	H-70858	NYLOK #10-32 SS	6
26	H-70860	NYLOK 1/4"- 20 SS	11
27	H-70861	NYLOK 5/16" - 18 SS	16
28	H-70925	KN 1/4-20 S/S	2
29	H-71013	FNW 1/4" X 5/8" SS	7
30	H-71015	FW 5/16" X 3/4" SS	8
31	H-71063	LW 1/4" SS	5
32	H-71065	LW 5/16" SS	4
33	H-72685	FHP 10-32 X 1" SS	3
34	H-74417	CB 1/4"- 20 X .5" SS	4
35	H-74418	CB 1/4"- 20 X 5/8" S/S	5
36	H-74422	CB 1/4"- 20 X 1-1/2" SS	2
37	H-74429	CB 5/16"- 18 X 3/4" SS	10
38	H-77009	HCS 1/4"- 20 X 1.5" SS	1
39	H-87712	FELT TABS	2



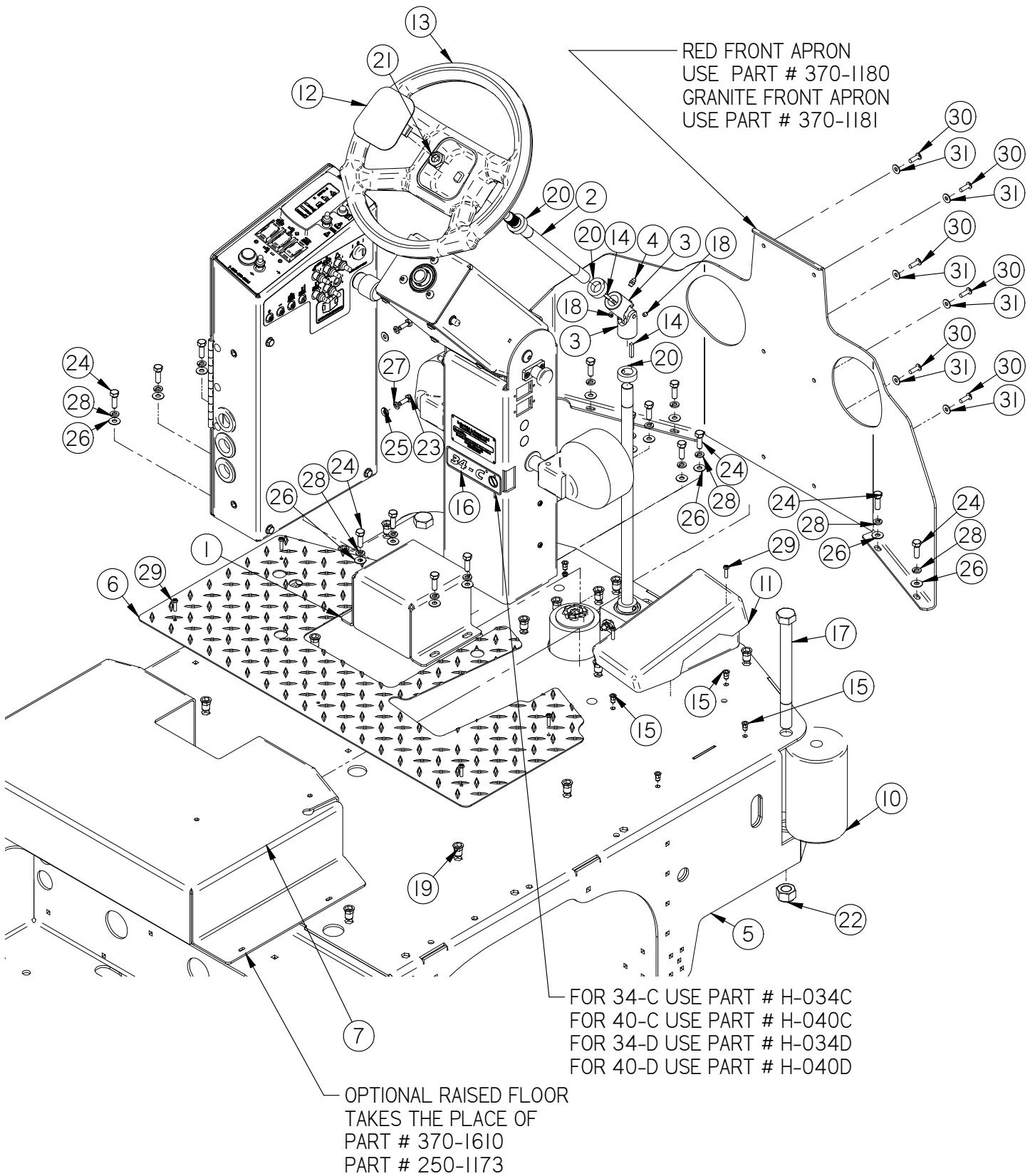
Item	Part No.	Part Description	Qty.
1	370-0006	INDUSTRIAL BATTERY BOX	1
2	370-1100	MAIN FRAME	1
3	370-1121	INDUSTRIAL SOAP TRAY	1
4	370-1212	SEAT SUPPORT (RIBB)	1
5	370-1213	BATTERY COMPARTMENT (RIBB)	1
6	370-1215	BATTERY BOX LID (RIBB)	1
7	370-2110	INDUSTRIAL BATTERY	1
8	395-8500	SOAP PUMP, 36V	1
9	430-1225	13" SS HINGE	1
10	8-143	SEAT WITH ARM RESTS	1
11	H-01201	GROMMET	2
12	H-0129154	JAM NYLOK #10-24 SS	2
13	H-0172518	CB #10-32 X 1/2" SS	2
14	H-312HCN	HCN 5/16"-18	8
15	H-70003	HCS 1/4"-20 X 5/8" SS	2
16	H-70055	HCS 5/16"- 18 X 1" SS	6
17	H-70858	NYLOK #10-32 SS	2
18	H-70860	NYLOK 1/4"- 20 SS	15
19	H-70861	NYLOK 5/16" - 18 SS	8
20	H-71013	FW 1/4" X 5/8" SS	7
21	H-71015	FW 5/16" X 3/4" SS	10
22	H-71063	LW 1/4" SS	2
23	H-71065	LW 5/16" SS	8
24	H-73780	BHSCS 5/16-18 X 1	2
25	H-74418	CB 1/4"- 20 X 5/8" S/S	15
26	H-74429	CB 5/16"- 18 X 3/4" SS	4
27	PC797-6x05	1/2 GALLON SUPERCON SOAP JUG	2



Item	Part No.	Part Description	Qty.
1	290-2004	ACCESS COVER GASKET	1
2	290-2015	ONE TOUCH BUTTON	1
3	290-2300	LOW SOLUTION (AMBER)	1
4	290-2310	FULL RECOVERY (RED)	1
5	290-234	KEY SWITCH	1
6	290-234A	KEY SET (REPLACE)	1
7	290-2891	LCD SCREEN	1
8	370-2006	HARDWARE PANEL	1
9	370-2013	CONTROL PANEL TOP PLATE	1
10	370-2331	RELAY, 36V, SMALL W/FLAT MTG PLATE	2
11	390-2899	CONTROLLER V4	1
12	390-9610	FUSE, RESETTABLE, 10 AMP, 50V DC MAX	1
13	390-9615	FUSE, RESETTABLE, 15 AMP, 50V DC MAX	2
14	420-1502	Central Command Decal	1
15	5-233	MOM-OFF-MOM DPDT	1
16	5-234	SWITCH, ROCKER, DPDT, ON/ON	2
17	5-296	DIODE BRIDGE	1
18	5-300	EMERGENCY SHUT OFF	1
19	5-892	TOGGLE, ON-OFF SPST	5
20	5-892A	PROTECTIVE BOOT, TOGGLE SWITCH, (GRAY)	1
21	7-229	PUSH BUTTON SWITCH	1
22	7-283	SWITCH, TOGGLE, MOM/OFF/MOM (DPDT)	1
23	7-287	BUSS BAR UHMW	2
24	7-821	SWITCH, TOGGLE, ON/ON (DPDT)	1
25	7-837	FUSE RESETTABLE 2 AMP	1
26	8-180	HINGE, 6-7/8" S/S	1
27	8-294	HORN	1
28	E-5HBB	5 HOLE BUSS BAR	2
29	H-01195	PROTECTIVE BOOT, TOGGLE SWITCH, (WHITE)	1
30	H-01196	PROTECTIVE BOOT, TOGGLE SWITCH, (RED)	1
31	H-01197	PROTECTIVE BOOT, TOGGLE SWITCH, (YELLOW)	1
32	H-01198	PROTECTIVE BOOT, TOGGLE SWITCH, (GREEN)	1
33	H-01199	PROTECTIVE BOOT, TOGGLE SWITCH, (BLUE)	1
34	H-01200	PROTECTIVE BOOT, TOGGLE SWITCH, (BLACK)	1
35	H-13005	HCS 1/4"-20 X 1"	4
36	H-250HCN	HCN 1/4"-20	8
37	H-70710	HN 1/4"- 20 SS	12
38	H-71013	FNW 1/4" X 5/8" SS	8
39	H-71063	LW 1/4" SS	4
40	H-73754	BHSCS 1/4 - 20 X 3/4" SS	4
41	H-74417	CB 1/4"- 20 X .5" SS	5
42	H-9307K74	GROMMET, 1" ID X 1-3/4" OD BUNA-N	3



Item	Part Number	Part Description	Qty
1	290-1245	3/8" ID, 1/2" OD, 3/8" LG, FLANGE BEARING	2
2	290-1247	BRONZE THRUST BEARING, .50" ID X 1.0" OD X 1/16" TH	2
3	290-1248	FW BRONZE 1/2" ID X 1" OD X 1/8" TH	2
4	290-7050	INDEX PLUNGER	1
5	4-101	SERIAL NUMBER PLATE	1
6	4-352	BEARING	1
7	4-364A	FLANGE, 1.75" ID	2
8	430-2910	36V HEADLIGHT	2
9	430-2940	36V HORN	1
10	5-892	TOGGLE, ON-OFF SPST	1
11	8-262	HOUR METER	1
12	8-292	BACKUP ALARM	1
13	8-294B	PUSH BUTTON SWITCH, SILVER	1
14	H-01200	PROTECTIVE BOOT, TOGGLE SWITCH, (BLACK)	1
15	H-250HCN	HCN 1/4"-20	12
16	H-36104	HN 5/16"-18	4
17	H-41009	AB4-3A BLIND RIVET	4
18	H-70858	NYLOK #10-32 SS	2
19	H-71009	FW #10 SS	2
20	H-71017	FW 3/8" X 7/8" SS	4
21	H-71065	LW 5/16" SS	4
22	H-72515	PPH #10-32 X 1/2" S/S	2
23	H-72681	FHP #10-32 X 3/8" SS	2
24	H-73754	BHSCS 1/4 - 20 X 3/4" SS	6
25	H-73780	BHSCS 5/16-18 X 1	4
26	H-73815	BHSCS 3/8"- 16 X 1" SS	2
27	H-76061	FW 1/4" NYLON	6
28	H-NJ06C	JNYL 3/8- 16 SS	2

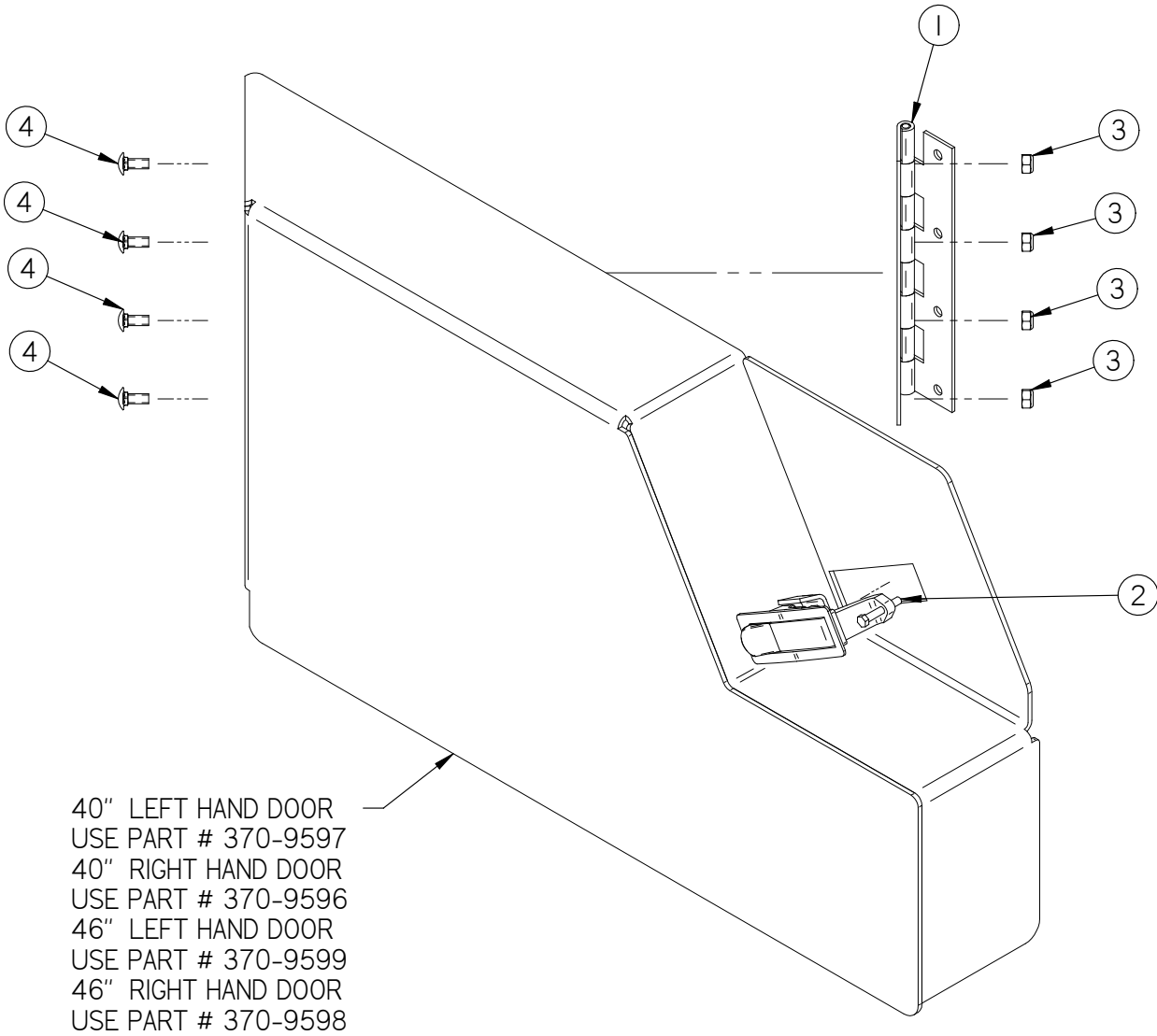


Item	Part No.	Part Description	Qty.
1	250-1173	DRIVE COVER	1
2	290-7090	STEERING SHAFT, UPPER	1
3	290-7110	U-JOINT	1
4	290-7111	1/4-28 ZERK FITTING	1
5	370-1100	MAIN FRAME	1
6	370-1610	NON SKID FLOOR PLATE	1
7	370-1611	RAISED FLOOR	1
8*	370-7201	FACTORY CAT STICKER	1
9*	370-7202	TOMCAT STICKER	1
10	7-125A	ROLLER	2
11	8-290	FOOT PEDAL	1
12	8-701A	STEERING COVER	1
13	8-703	STEERING WHEEL	1
14	H-01125	3/16" X 1" KEY	2
15	H-02309	HCN #10-32, LG CRIMP	14
16	H-034C	34 CYLIDRICAL STICKER	1
17	H-11380	HCS 3/4-10 X 8-1/2	2
18	H-25379	SETSCREW, KCP, 1/4"-20 X 1/4"	3
19	H-312HCN	HCN 5/16"-18	20
20	H-33376	.75 ID SHAFT COLLAR WITH SET SCREW	3
21	H-37038	JNYL 5/8"- 11	1
22	H-37039	NYLOK 3/4"- 10	2
23	H-70003	HCS 1/4"- 20 X 3/4" SS	2
24	H-70055	HCS 5/16"- 18 X 1" SS	15
25	H-71013	FNW 1/4" X 5/8" SS	2
26	H-71015	FW 5/16" X 3/4" SS	15
27	H-71063	LW 1/4" SS	2
28	H-71065	LW 5/16" SS	15
29	H-72534	PPH #10-32 X 3/4" S/S	8
30	H-73754	BHSCS 1/4 - 20 X 3/4" SS	6
31	H-76061	FW 1/4" NYLON	6

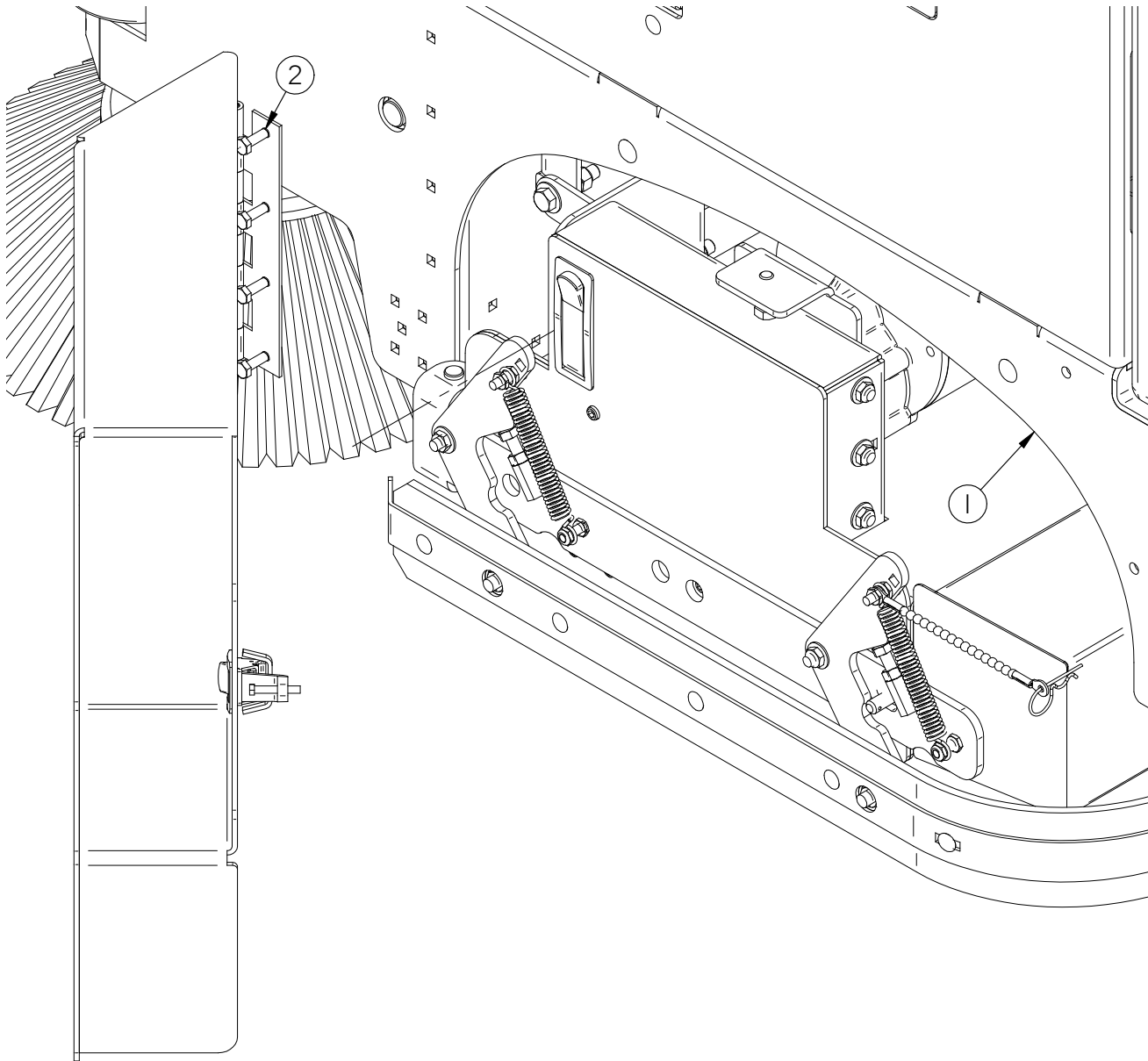
* STICKER NOT SHOWN

FOR FACTORY CAT STICKER USE PART # 370-7201

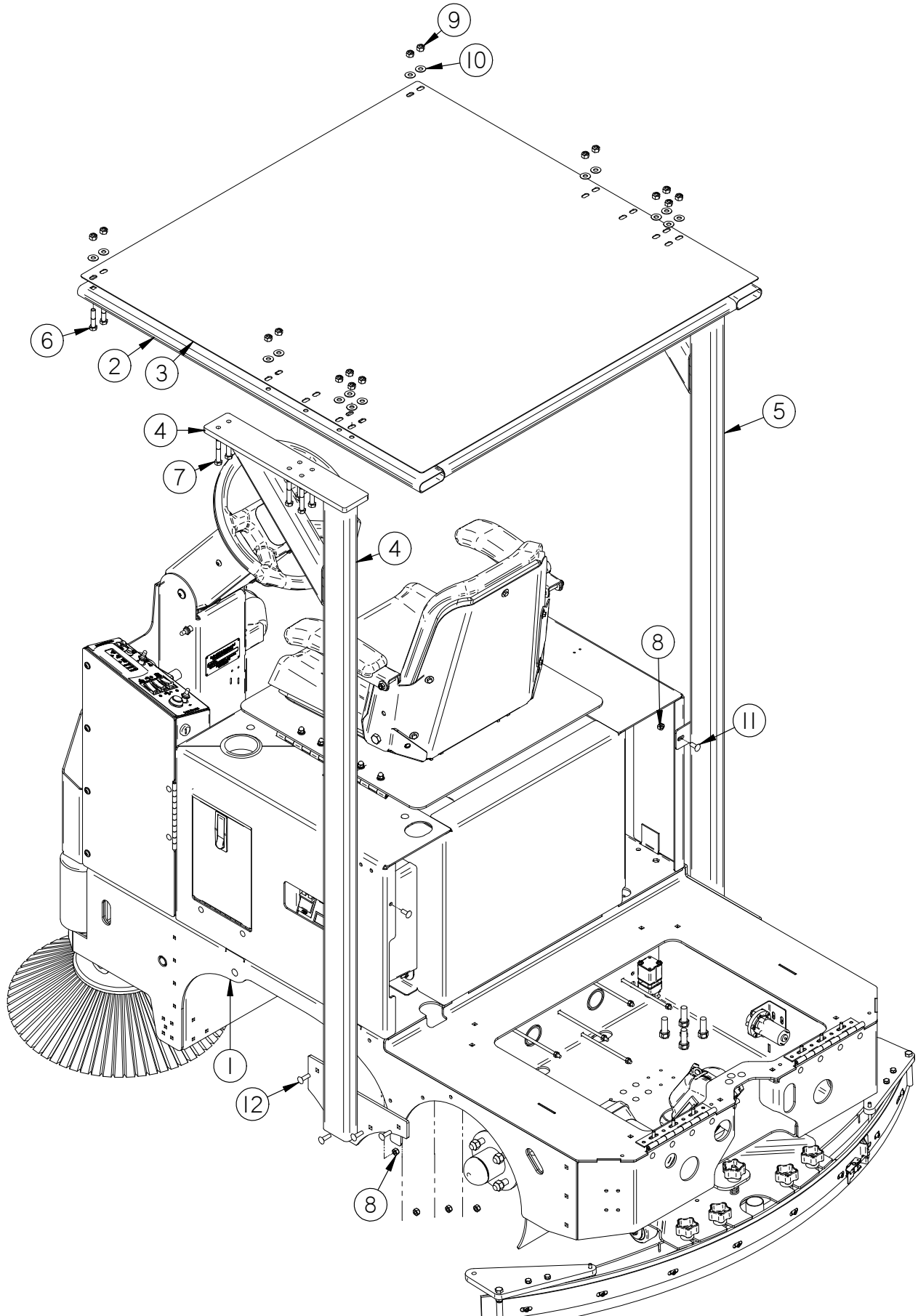
FOR TOMCAT STICKER USE PART # 370-7202



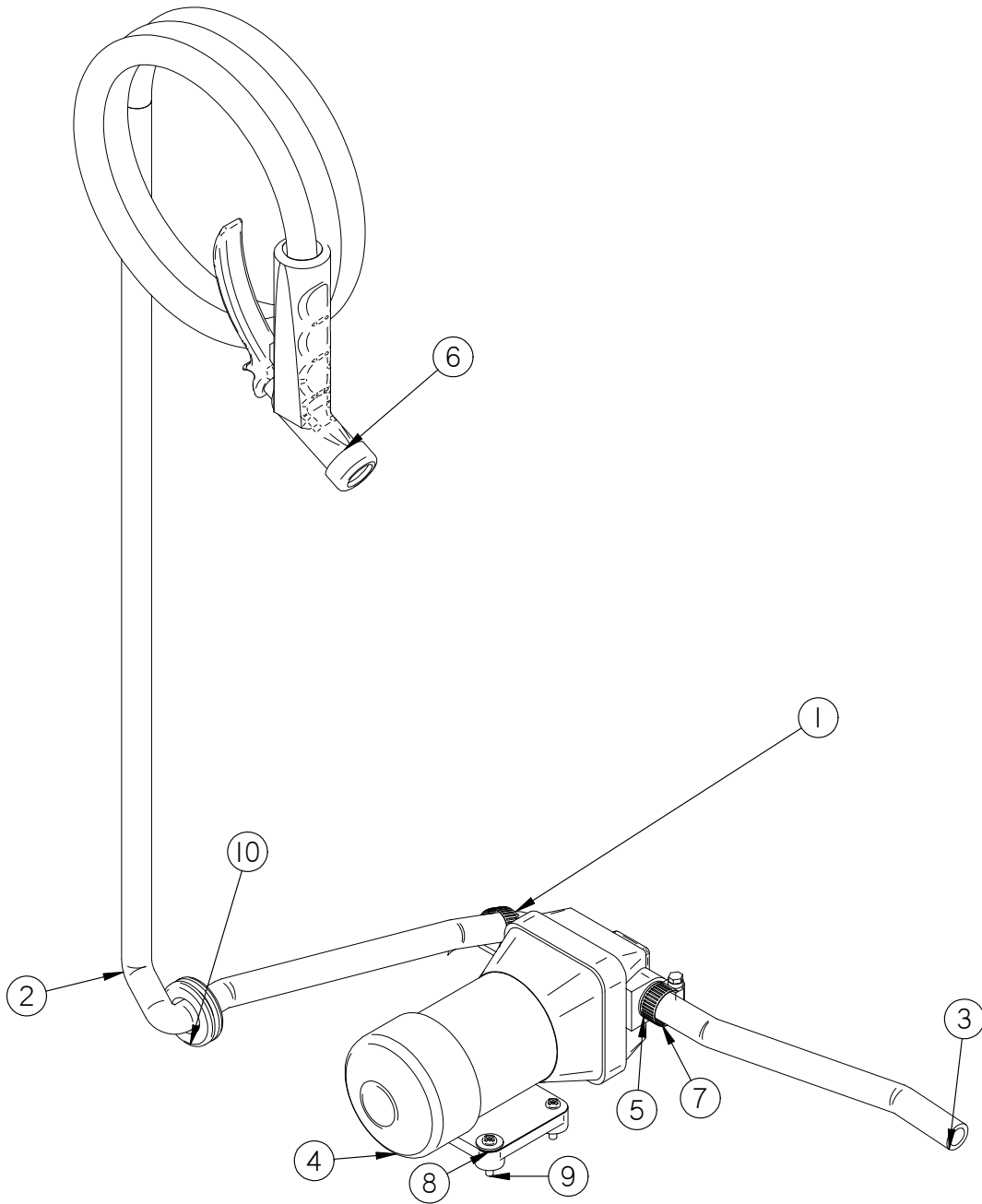
Item	Part No.	Part Description	Qty.
1	5-122	8" SS HINGE	1
2	5-130	DOOR LATCH	1
3	H-70860	NYLOK 1/4"- 20 SS	4
4	H-74418	CB 1/4"- 20 X 5/8" S/S	4



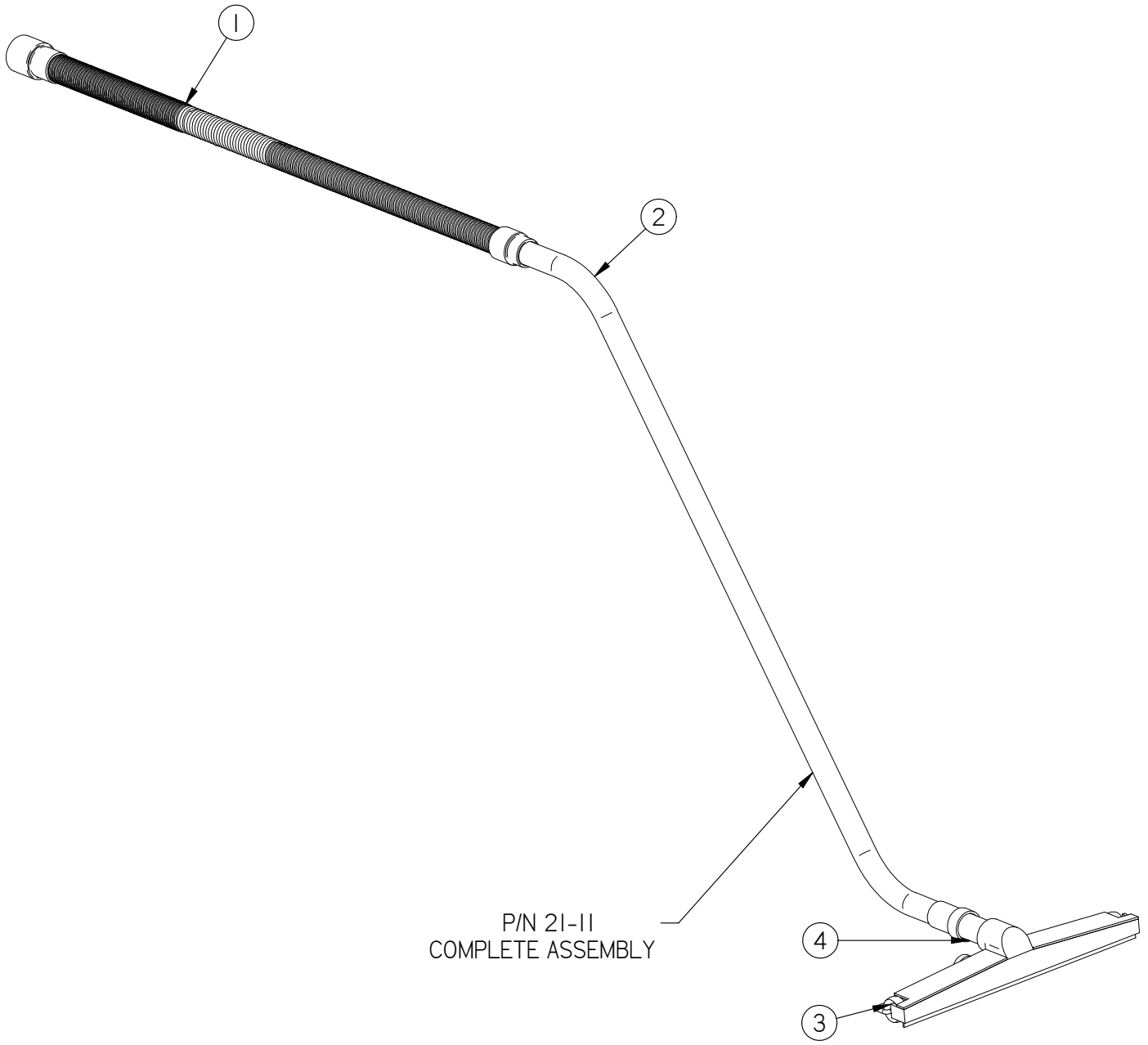
Item	Part No.	Part Description	Qty.
1	370-1100	MAIN FRAME	1
2	H-70003	HCS 1/4"- 20 X 3/4" SS	4
3	H-70860	NYLOK 1/4"- 20 SS	4



Item	Part No.	Part Description	Qty.
1	370-1100	MAIN FRAME	1
2	370-1703	ROOF SUPPORT	1
3	370-1704	OVERHEAD GUARD ROOF	1
4	370-1711	OVERHEAD GUARD SUPPORT (LH)	1
5	370-1712	OVERHEAD GUARD SUPPORT (RH)	1
6	H-70110	HCS 3/8"- 16 X 1-3/4" SS	4
7	H-70112	HCS 3/8"- 16 X 2-1/4" SS	12
8	H-70861	NYLOK 5/16" - 18 SS	9
9	H-70862	NYLOK 3/8"-16 SS	16
10	H-71017	FW 3/8" X 7/8" SS	16
11*	H-74429	CB 5/16"- 18 X 3/4" SS	2
12	H-74430	CB 5/16"- 18 X 1" SS	8

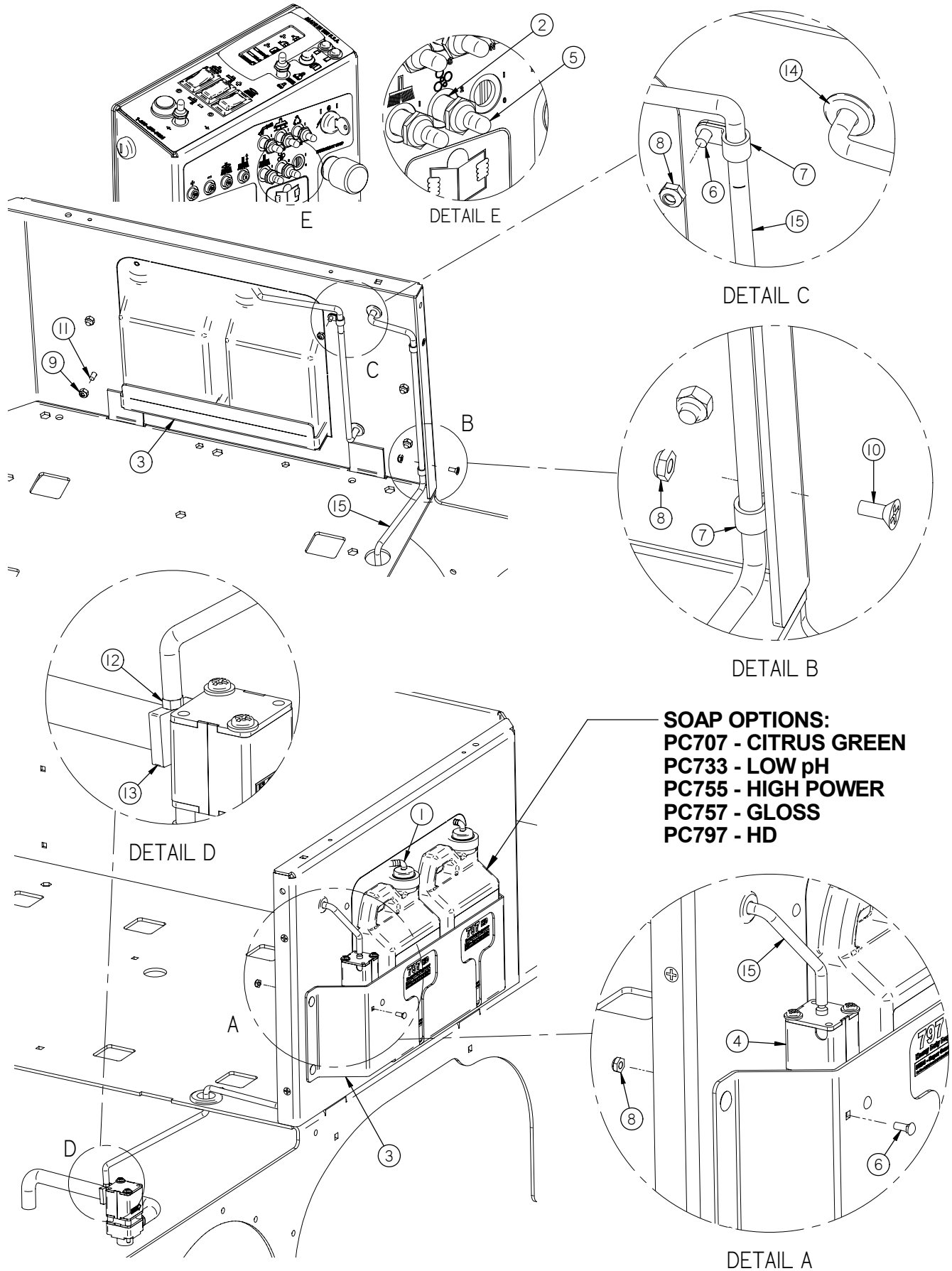


Item	Part No.	Part Description	Qty.
1	21-1601	1/2" BARBED ELBOW (PLASTIC)	1
2	290-8960	SPRAY JET HOSE	1
3	370-0003	1/2" X 10" CLEAR HOSE	1
4	430-8910	PUMP, WATER JET, 36V	1
5	5-891B	1/2" SPRAY JET BARB	1
6	5-895	SPRAY NOZZLE	1
7	H-081	CLAMP 7/16"- 25/32" SS	2
8	H-71010	FW #10 .218 x .687 S/S	1
9	H-72536	PPH #10-32 X 1" S/S	2
10	H-9307K74	GROMMET, 1" ID X 1-3/4" OD BUNA-N	1



Item	Part No.	Part Description	Qty.
1	5-883	SQUEEGEE HOSE	1
2	5-887	VAC WAND	1
3	5-889	VACUUM NOZZLE	1
4	7-884	COUPLER, S/S	1

Item	Part Number	Part Description	Qty
1	253-283	SWITCH, TOGGLE, ON/OFF/ON (DPDT)	1
2	370-1111	ON-BOARD SOAP TRAY	1
3	395-0211	SOAP JUG CAP	1
4	395-8500	SOAP PUMP, 36V	1
5	4-124	LATCH	1
6	H-01198	PROTECTIVE BOOT, TOGGLE SWITCH, (GREEN)	1
7	H-0172518	CB #10-32 X 1/2" SS	4
8	H-02239	3/8" NYLON LOOP CLAMP	5
9	H-70856	NYLOK #8-32 SS	2
10	H-70858	NYLOK #10-32 SS	7
11	H-70860	NYLOK 1/4"- 20 SS	2
12	H-72398	PPH #8-32 X 1/2" S/S	2
13	H-72682	FHP #10-32 X 1/2" SS	3
14	H-74418	CB 1/4"- 20 X 5/8" S/S	2
15	H-9307K74	GROMMET, 1" ID X 1-3/4" OD BUNA-N	1
16	M-2974K369	NYLON BARBED TUBE FITTING, 3/16 ID X 1/16" NPT	1
17	M-5116K46	1/2" X 1/2" BARB	1
18	T-018CR2200	3/16" ID X 22" LG. C.R. TUBE	1
19	T-018CR3200	3/16" ID X 32" LG. C.R. TUBE	1



Item	Part Number	Part Description	Qty
1	253-0115	SOAPJUG CAP	2
2	253-283	SWITCH, TOGGLE, ON/OFF/ON (DPDT)	1
3	370-1121	INDUSTRIAL SOAP TRAY	1
4	395-8500	SOAP PUMP, 36V	1
5	H-01198	PROTECTIVE BOOT, TOGGLE SWITCH, (GREEN)	1
6	H-0172518	CB #10-32 X 1/2" SS	3
7	H-02239	3/8" NYLON LOOP CLAMP	3
8	H-70858	NYLOK #10-32 SS	5
9	H-70860	NYLOK 1/4"- 20 SS	4
10	H-72682	FHP #10-32 X 1/2" SS	2
11	H-74418	CB 1/4"- 20 X 5/8" S/S	4
12	M-2974K369	NYLON BARBED TUBE FITTING, 3/16 ID X 1/16" NPT	1
13	M-5116K46	1/2" X 1/2" BARB	1
14	M-9307K23	GROMMET, RUBBER 3/8 ID X 7/8 OD X 1/8 TH.	2
15	T-018CR3200	3/16" ID X 32" LG. C.R. TUBE	2

