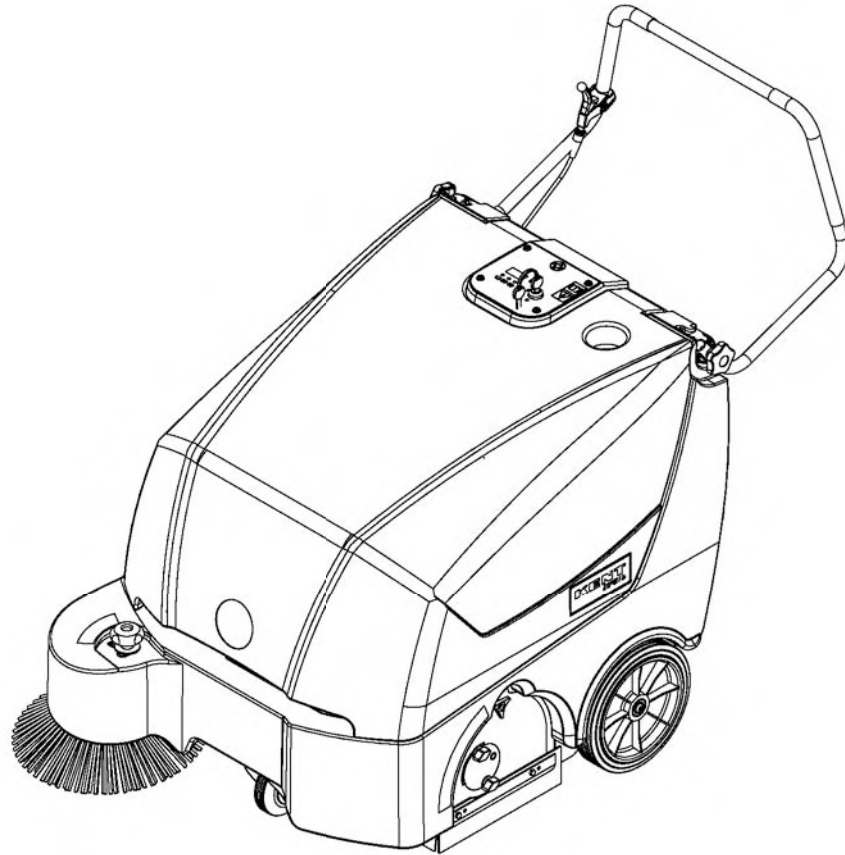


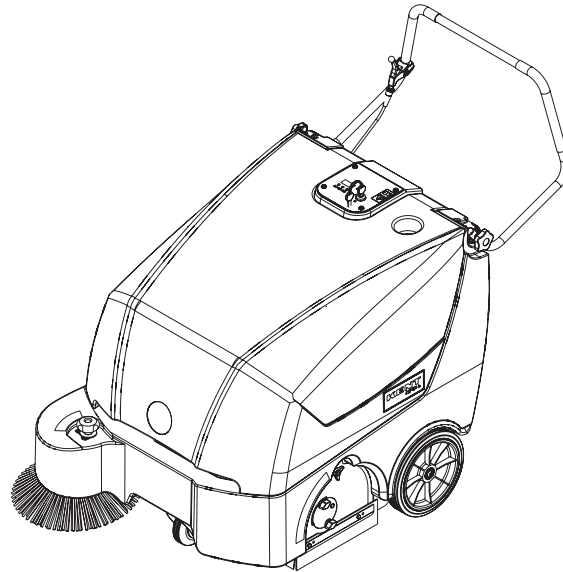
Blue 32



PARTS LIST
KENT MODEL: 908 4106 010

KENT

146 2300 000(1)2005-03

**DESCRIPTION****PLAN**

CHASSIS SYSTEM	2 - 3
MAIN BROOM ASSEMBLY	4 - 5
SIDE BROOM ASSEMBLY	6 - 7
DRIVE WHEELS ASSEMBLY	8 - 9
HOPPER SYSTEM	10 - 11
TRANSMISSION SYSTEM	12 - 13
BELT TENSIONER ASSEMBLY	14 - 15
REDUCTION MOTOR ASSEMBLY	16 - 17
DUST CONTROL SYSTEM	18 - 19
HANDLE SYSTEM	20 - 21
CONTROL PANEL ASSEMBLY	22 - 23
RIGHT-LEFT HUB ASSEMBLIES	24 - 25
DECALS	26 - 27
ELECTRICAL PARTS	28 - 29
BATTERY CHARGER ASSEMBLY	30 - 31 - 32
RECOMMENDED SPARE PARTS	33
WIRING DIAGRAM	34

WHEN ORDERING PARTS

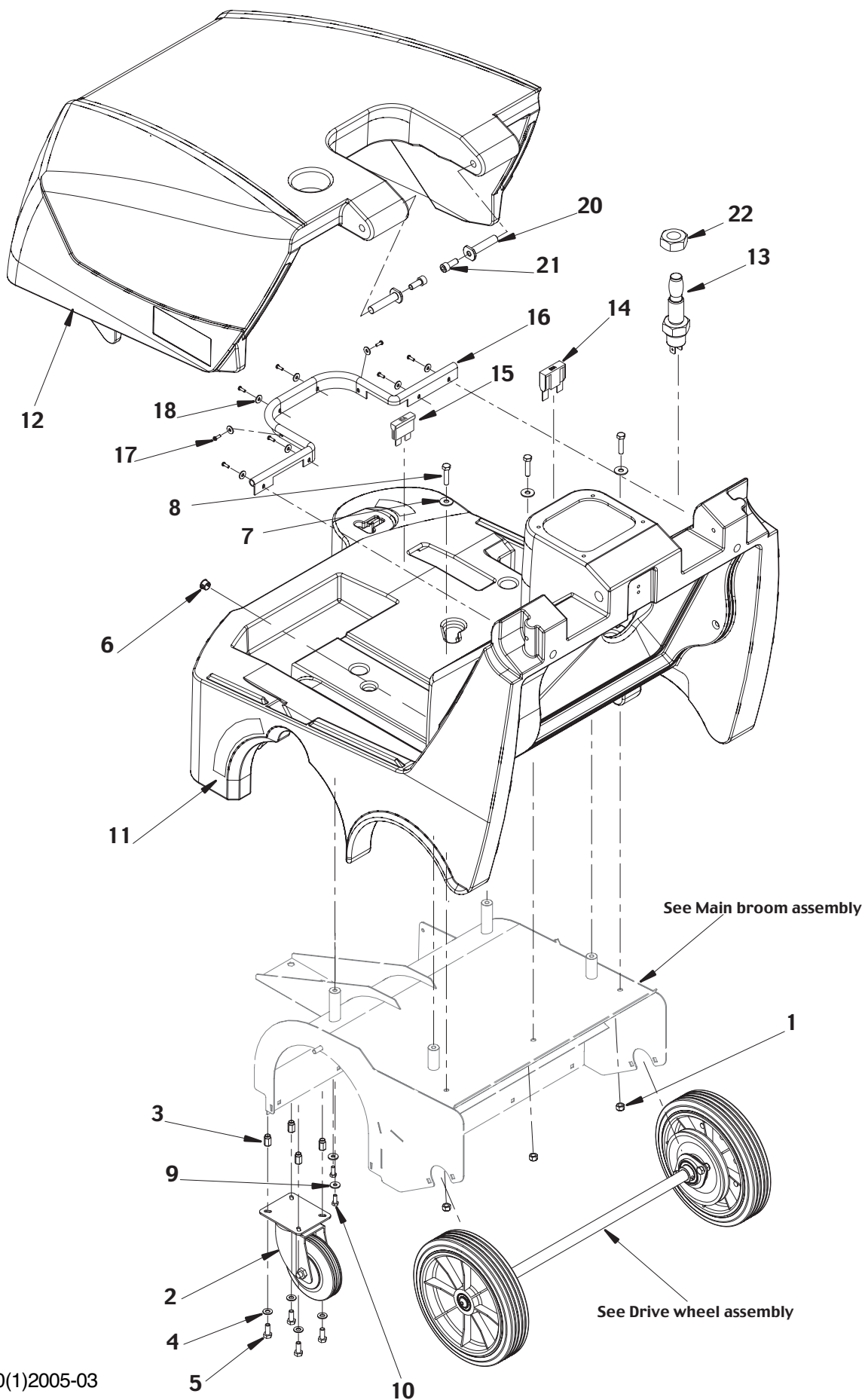
- * Use the 8, 9 or 10 digit numbers from the "Ref. No." columns in this parts list.
- * Specify the model and serial number of the machine.
- * Use the space below to record the model and the serial number for future reference.

Model _____ Serial No. _____

**** = Optional**

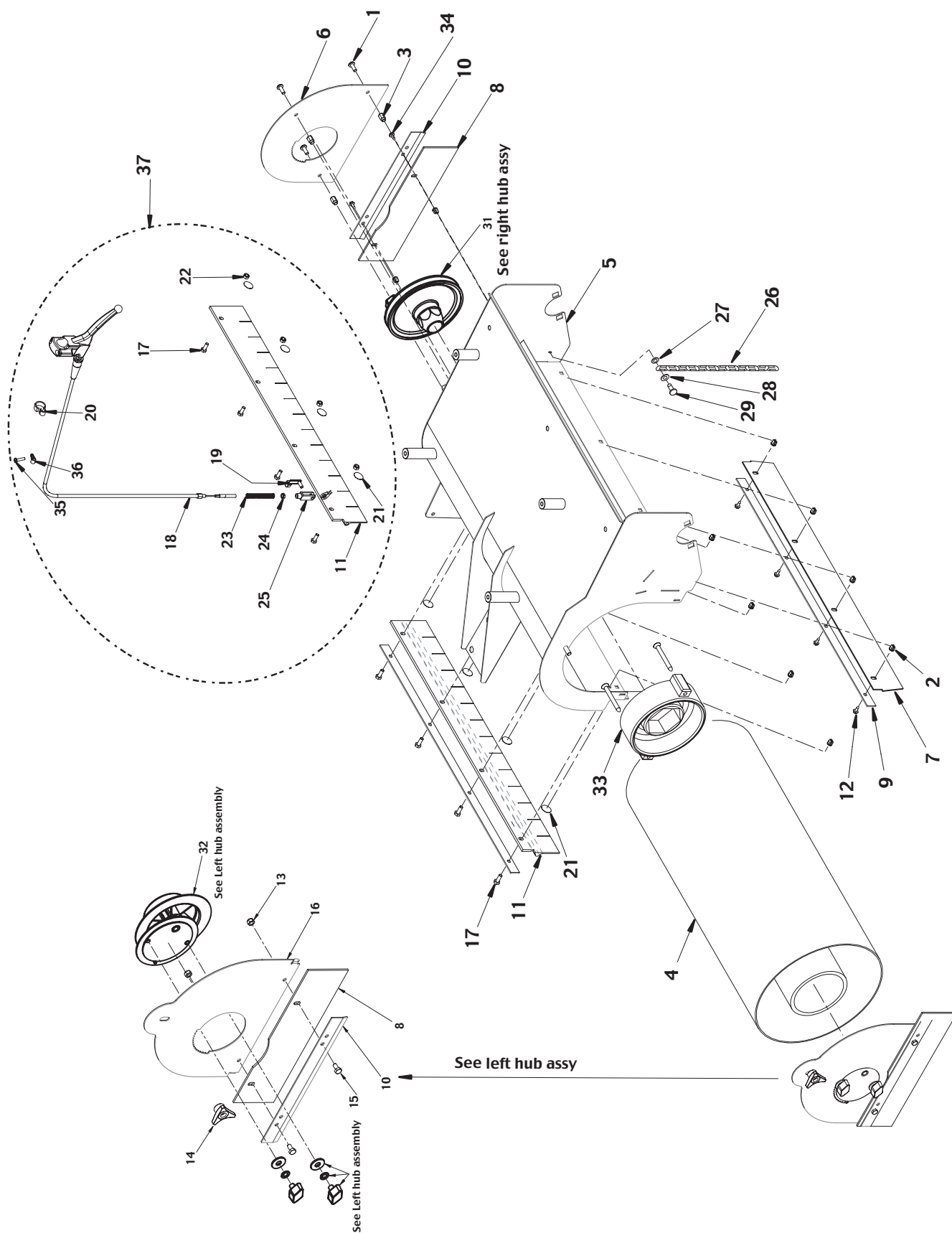
= Modified Item no. or New Item no.

[] = Not shown

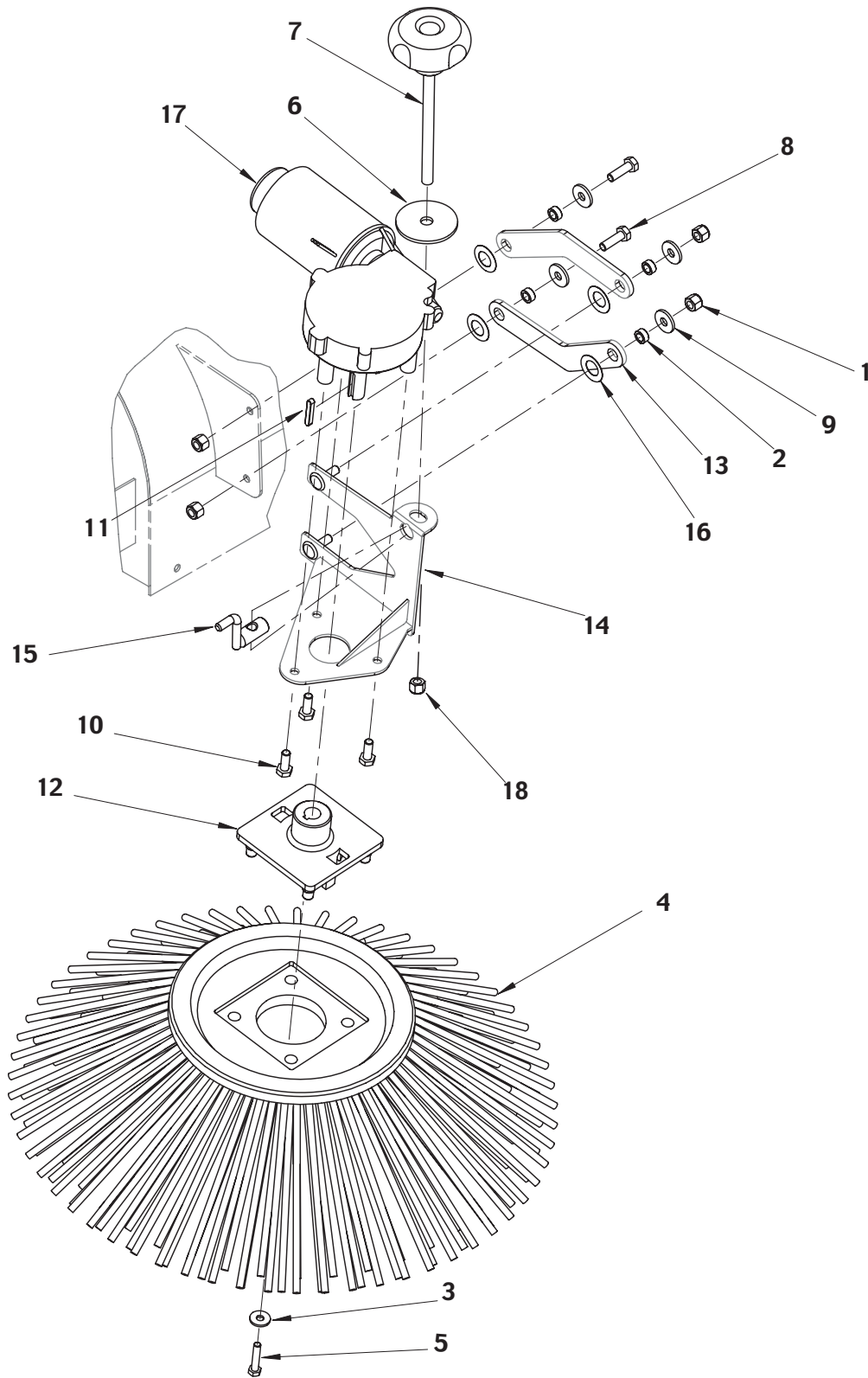


2005-03	CHASSIS SYSTEM			
	Blue 32			3

Item no.	Ref. No.	Qty	Description
1	xxxxxxx	3	Nut self locking M8 (Chassis System Hardware Kit)
2	145 5115 000	1	Castor
2	146 0569 000*	1	Castor with brake
3	xxx xxxx xxx	4	Insert (Chassis System Hardware Kit)
4	xxx xxxx xxx	4	Washer flat (Chassis System Hardware Kit)
5	xxx xxxx xxx	4	Screw hex hd M8x20 (Chassis System Hardware Kit)
6	145 8008 000	1	Cap
7	xxx xxxx xxx	3	Washer flat (Chassis System Hardware Kit)
8	xxx xxxx xxx	3	Screw hex hd M8x35 (Chassis System Hardware Kit)
9	xxx xxxx xxx	2	Washer flat (Chassis System Hardware Kit)
10	xxx xxxx xxx	2	Screw hex hd M6x16 (Chassis System Hardware Kit)
11	146 0726 000	1	Chassis rotomolded
12	146 2296 000	1	Hood rotomolded
13	146 0565 000	1	Hood safety switch
14	146 0571 000	1	Fuse 60A
15	145 9853 000	1	Fuse 15A
16	146 0733 000	1	Gasket
17	xxx xxxx xxx	8	Screw thd form 4x12 (Chassis System Hardware Kit)
18	xxx xxxx xxx	8	Washer large (Chassis System Hardware Kit)
[19]	146 1082 000	1	Chassis System Hardware Kit (1,3,4,5,7,8,9,10,17,18,21)
20	146 0774 000	2	Spacer
21	xxx xxxx xxx	2	Screw 10x25 (Chassis System Hardware Kit)
22	146 0637 000	1	Nut hex thin M14

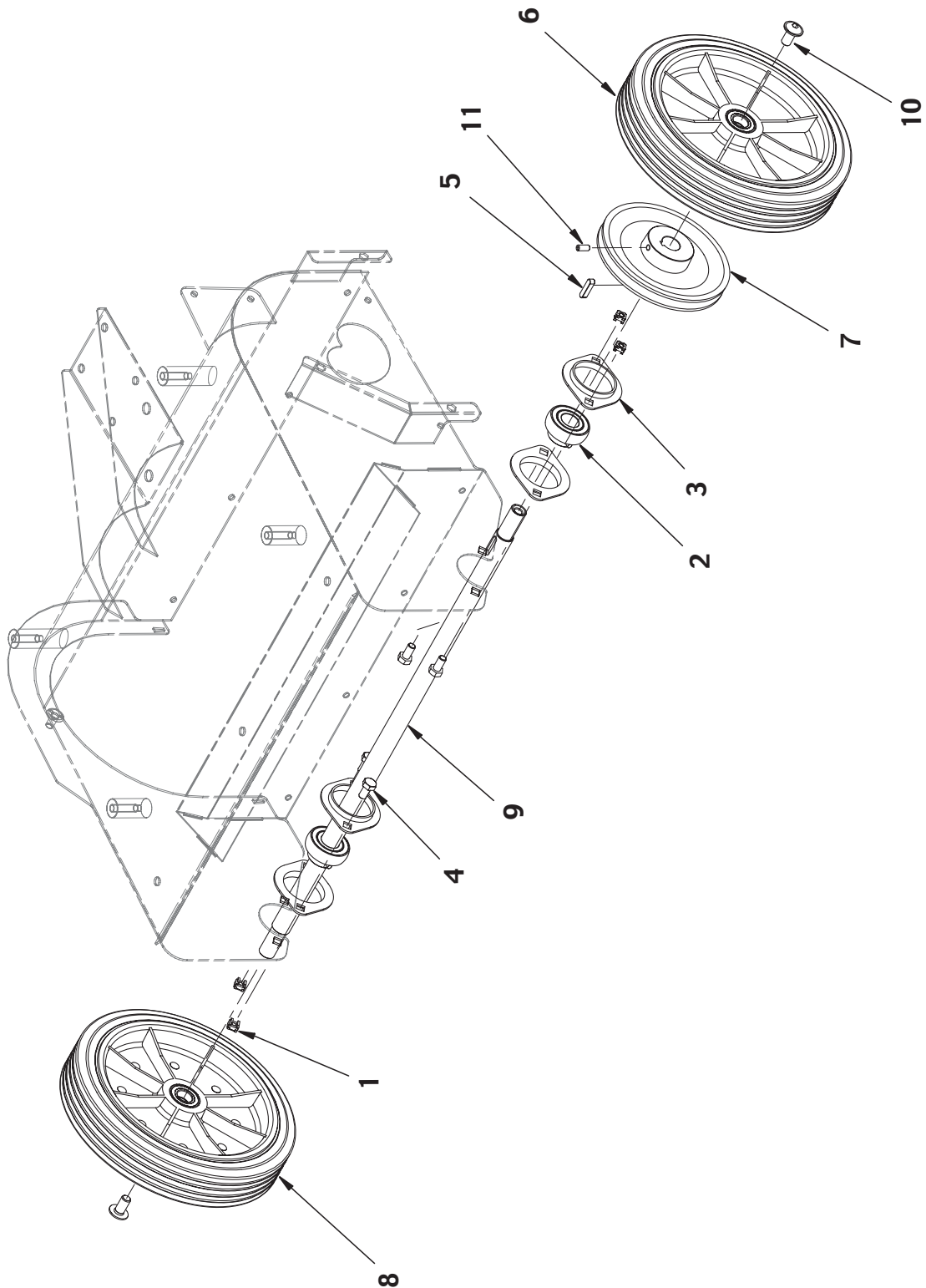


Item no.	Ref. No.	Qty	Description
1	xxxxxxx	3	Screw M6x16 (Main broom Assembly Hardware Kit)
2	xxx xxxx xxx	10	Main screw (Main broom Assembly Hardware Kit)
3	xxx xxxx xxx	3	Insert M6 (Main broom Assembly Hardware Kit)
4	146 0752 000	1	Main broom nylon standard ø245
4	146 0753 000*	1	Main broom natural fibre ø245
4	146 0751 000*	1	Main broom PPL ø245
4	146 0754 000*	1	Main broom steel mix ø245
4	146 0748 000*	1	Main broom PPL ø265
4	146 0750 000*	1	Main broom steel mix ø265
4	146 0749 000*	1	Main broom natural fibre ø265
5	146 0729 000	1	Main broom support
6	146 2137 000	1	Right hub plate
7	146 0743 000	1	Rear skirt non marking standard
7	146 0738 000*	1	Front / rear skirt
8	146 0587 000	2	Non marking side skirt standard
8	146 0555 000*	2	Side skirt
9	146 0739 000	2	Skirt plate
10	146 0557 000	2	Side skirt plate
11	146 0742 000	1	Non marking front skirt standard
11	146 0756 000*	1	Front soft skirt(Front Skirt Kit)
12	xxx xxxx xxx	8	Screw thd forming (Main broom Assembly Hardware Kit)
13	08603682	2	Nut hex selflocking M6
14	145 5035 000	1	Knob
15	145 9442 000	2	Screw hex hd M6x12
16	146 2136 000	1	Left hatch
17	xxx xxxx xxx	4	Screw hex hd M6x16 (Front skirt kit)
18	146 0755 000	1	Skirt lifting cable (Front skirt kit)
19	xxx xxxx xxx	1	Clip (Front skirt kit)
20	xxx xxxx xxx	1	Locking cable (Front skirt kit)
21	146 0772 000	4	Decal (Front skirt kit)
22	xxxxxxx	4	Nut (Front skirt kit)
23	xxx xxxx xxx	1	Spring (Front skirt kit)
24	xxx xxxx xxx	1	Nut (Front skirt kit)
25	xxx xxxx xxx	1	Yoke long M6 (Front skirt kit)
26	146 0611 000	1	Chain, ground
27	xxx xxxx xxx	1	Washer M4 (Main broom Assembly Hardware Kit)
28	xxx xxxx xxx	1	Washer flat M4 (Main broom Assembly Hardware Kit)
29	xxx xxxx xxx	1	Screw cyl hd M4x10 (Main broom Assembly Hardware Kit)
[30]	146 2305 000	1	Main broom Assembly Hardware Kit (1, 2, 3,12, 27, 28, 29, 34)
[31]	146 0817 000	1	Right Hub Assembly Kit (see RIGHT - LEFT HUB ASSEMBLIES)
[32]	146 0818 000	1	Left Hub Assembly Kit (see RIGHT - LEFT HUB ASSEMBLIES)
33	146 0268 000	1	Right Hub, main broom
34	xxx xxxx xxx	1	Screw flat phil thd form M4,2x50 (Main broom Assembly Hardware Kit)
35	xxxxxxx	1	Screw pan phil thd form 4,6X19,2 (Front skirt kit)
36	xxxxxxx	1	Cable clamp (Front skirt kit)
37*	146 2306 000	1	Front Skirt Kit (11*,17,18,19, 20, 21,22, 23, 24, 25, 35, 36, 38)
[38]	146 2307 000	1	Installation Instructions Front Skirt Kit (Front skirt kit)



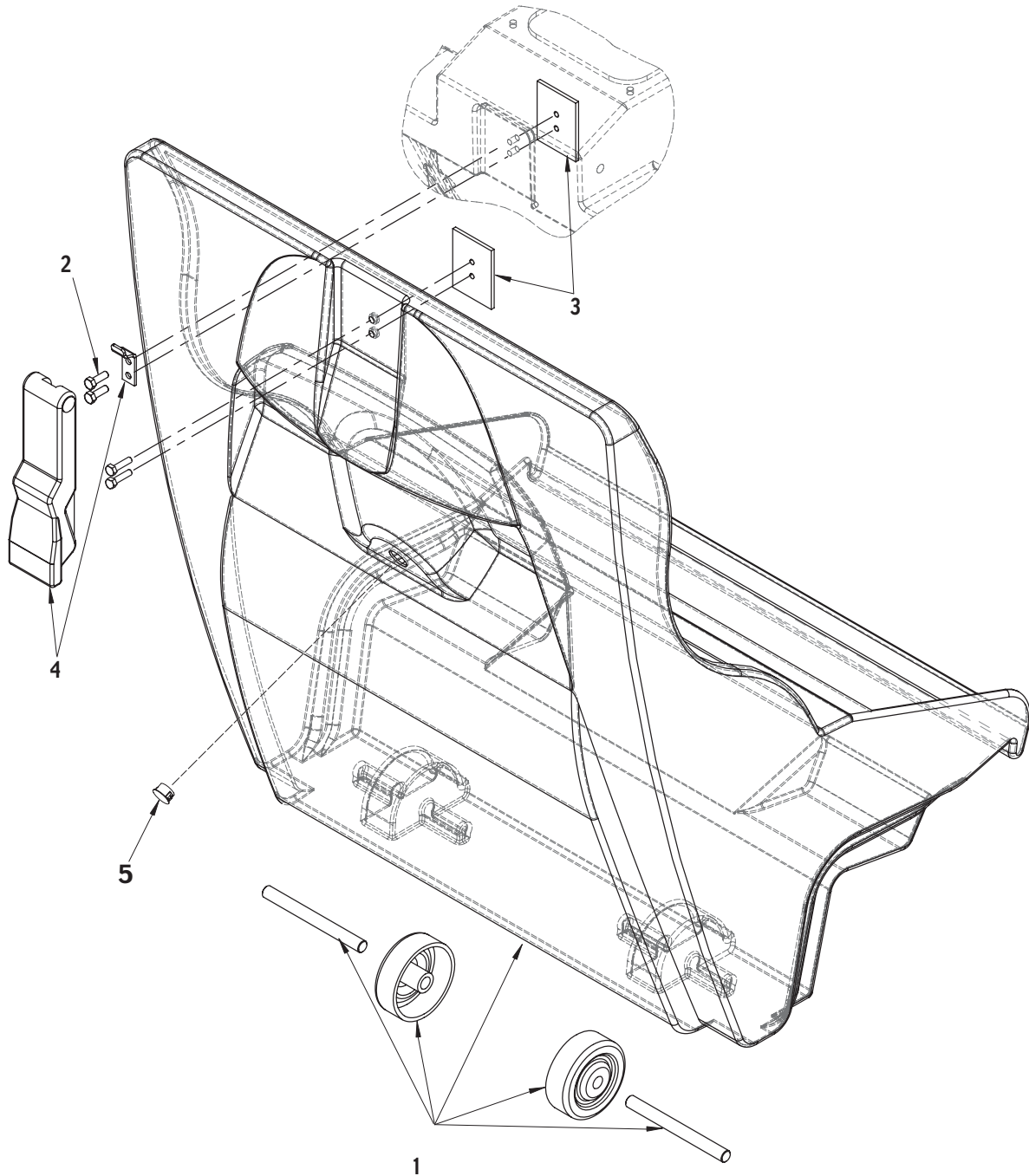
2005-03	SIDE BROOM ASSEMBLY			
	Blue 32			7

Item no.	Ref. No.	Qty	Description
1	xxxxxxx	4	Nut selflocking M6 (Side Broom Assy Hardware Kit)
2	145 1252 000	4	Spacer
3	xxx xxxx xxx	1	Washer flat (Side Broom Assy Hardware Kit)
4	146 0678 000	1	Side broom nylon standard ø180x347
4	145 1899 000*	1	Side broom PPL ø180x420
4	145 4959 000*	1	Side broom steel mix ø180x420
4	145 4976 000*	1	Side broom natural fibre ø180x420
5	xxx xxxx xxx	1	Screw hex hd M5x25 (Side Broom Assy Hardware Kit)
6	xxx xxxx xxx	1	Washer flat (Side Broom Assy Hardware Kit)
7	145 8455 000	1	Knob
8	xxx xxxx xxx	2	Screw hex hd M6x20 (Side Broom Assy Hardware Kit)
9	xxx xxxx xxx	4	Washer flat (Side Broom Assy Hardware Kit)
10	xxx xxxx xxx	3	Screw hex hd M6x16 (Side Broom Assy Hardware Kit)
11	145 9777 000	1	Key
12	146 0519 000	1	Side broom hub
13	146 0558 000	2	Arm side broom
14	146 0559 000	1	Broom bracket
15	146 0560 000	1	Hook side broom
16	xxx xxxx xxx	4	Washer Belleville (Side Broom Assy Hardware Kit)
17	146 0532 000	1	Reduction gear motor
18	xxxxxxx	1	Nut hex nylon loc M8 (Side Broom Assy Hardware Kit)
[19]	146 0810 000	1	Side Broom Assy Hardware Kit (1, 3, 5, 6, 8, 9,10,16, 18)



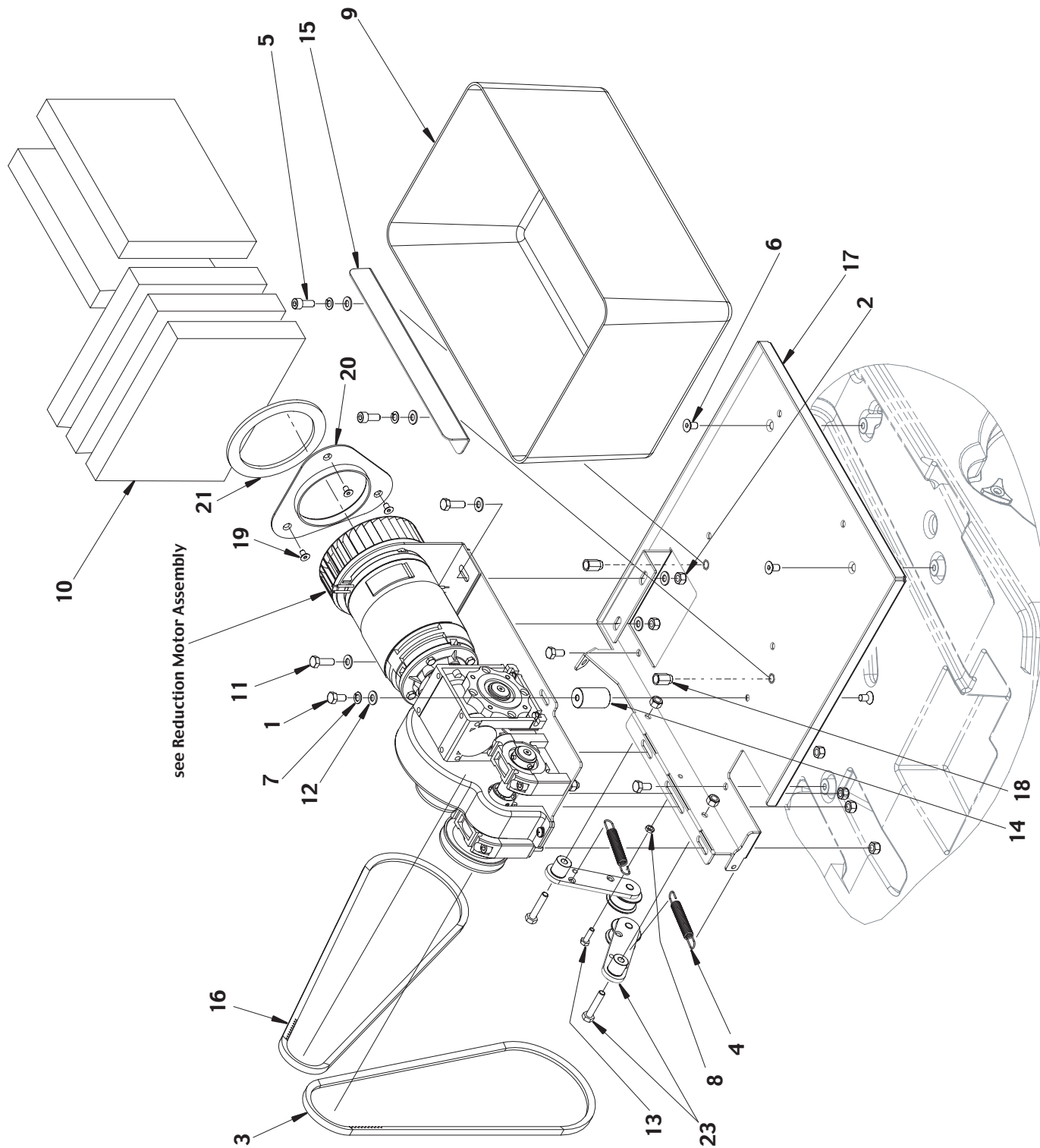
2005-03	DRIVE WHEELS ASSEMBLY		
	Blue 32		9

Item no.	Ref. No.	Qty	Description
1	xxx xxxx xxx	4	Cage nut (Drive Wheels Assy Hardware Kit)
2	145 1123 000	2	Ball bearing
3	145 8543 000	2	Support
4	xxx xxxx xxx	4	Screw M8x16 (Drive Wheels Assy Hardware Kit)
5	145 9899 000	1	Key
6	146 0513 000	1	Wheel right
7	146 0517 000	1	Pulley
8	146 0518 000	1	Wheel left
9	146 0732 000	1	Traction shaft
10	xxx xxxx xxx	2	Screw M10x20 (Drive Wheels Assy Hardware Kit)
11	146 0640 000	1	Dowel
[12]	146 1084 000	1	Drive Wheels Assy Hardware Kit (1,4,10)

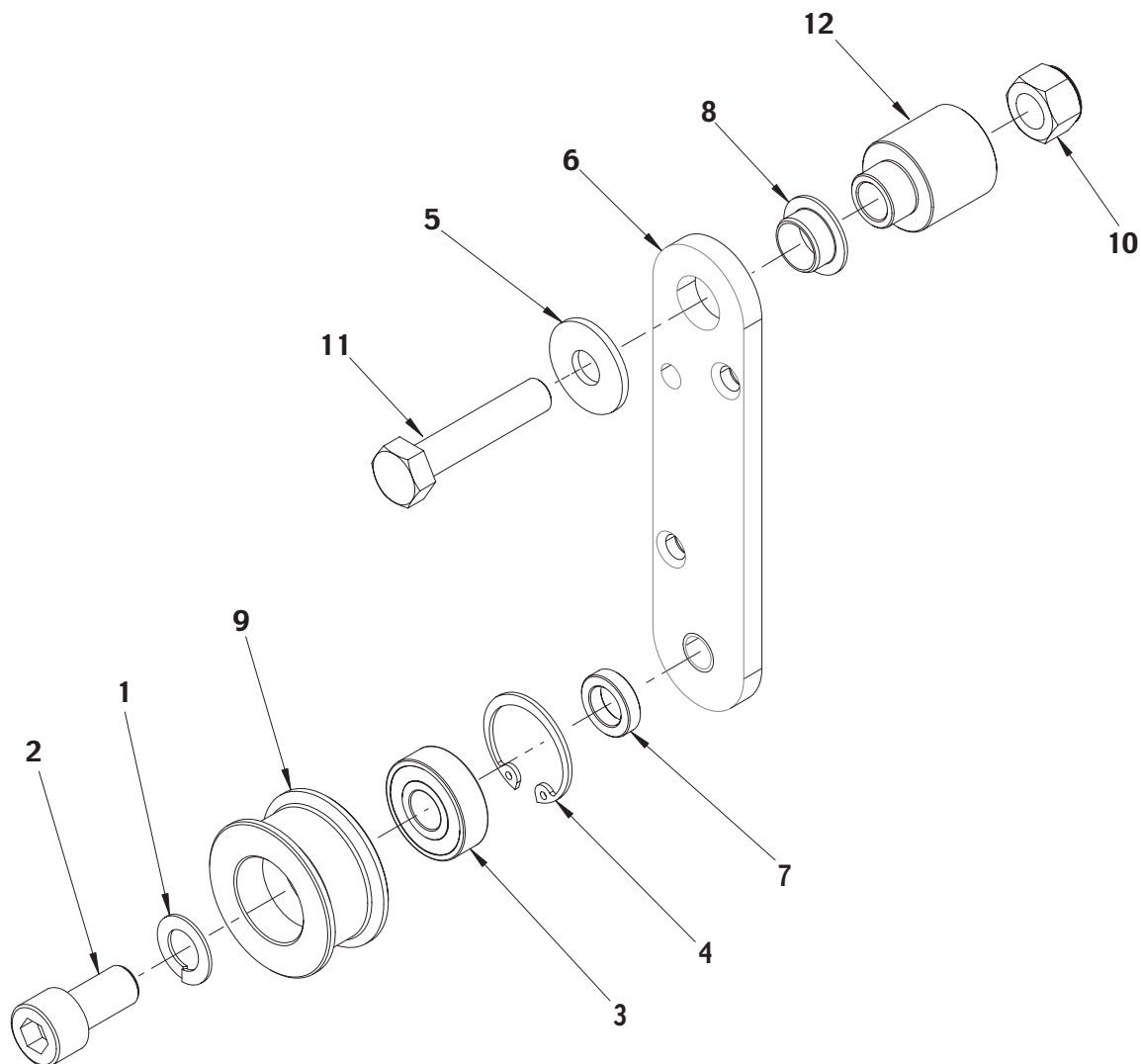


2005-03	HOPPER SYSTEM		
	Blue 32		11

Item no.	Ref. No.	Qty	Description
1	146 0740 000	1	Hopper complete
2	xxx xxxx xxx	4	Screw (Miscellaneous Hardware Kit)
3	146 0562 000	2	Fixing plate
4	146 0520 000	1	Hook rubber
5	145 4259 000	1	Cap (for machines with electric filter shaker installed as option)
[6]	146 1085 000	1	Miscellaneous Hardware Kit [2 (pg.11), 1 (pg.19), 1,6 (pg. 21), 1,2,3 (pg. 31)]

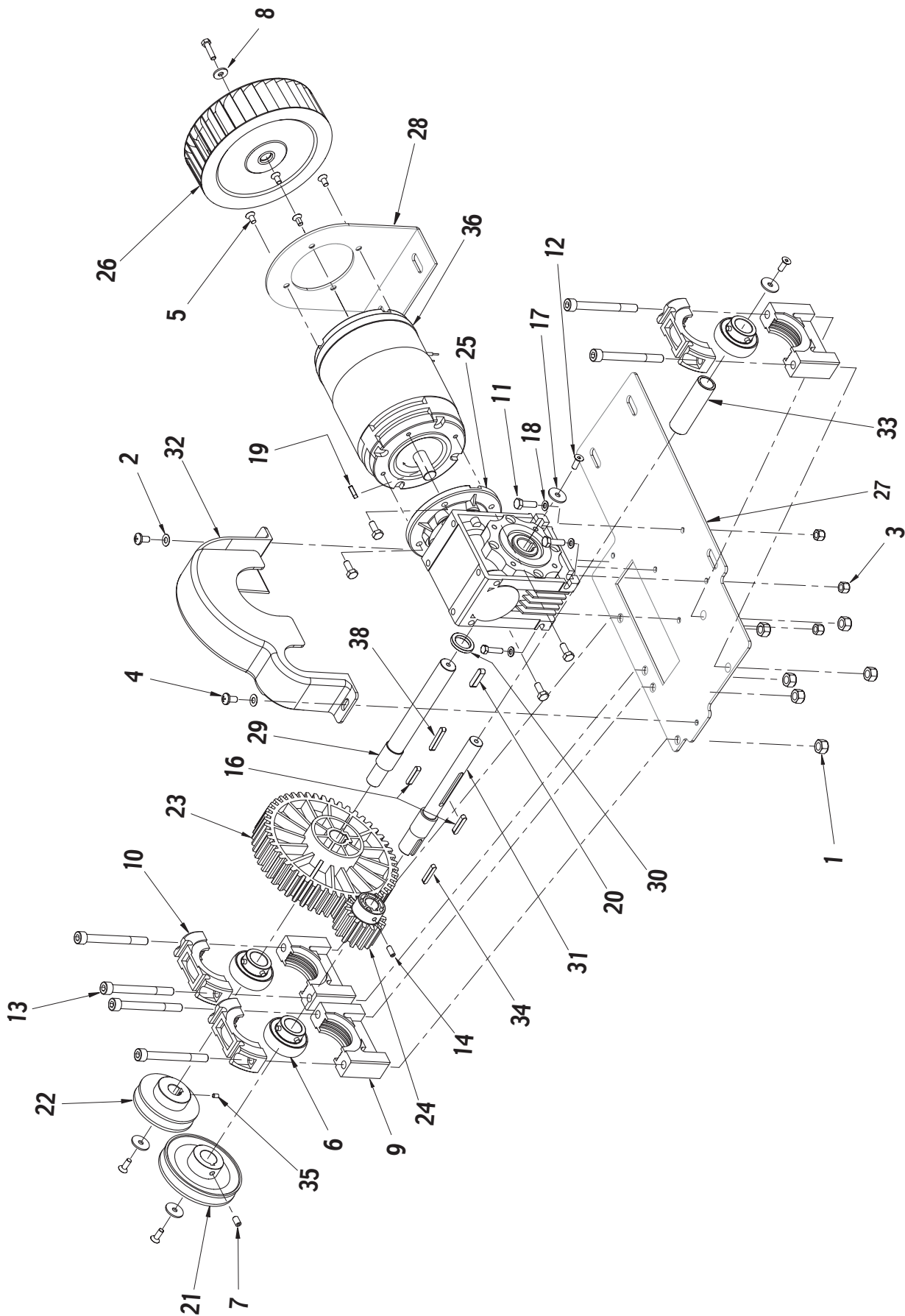


Item no.	Ref. No.	Qty	Description
1	xxxxxxx	3	Screw hex hd. M8x16 (Transmission System Hardware Kit)
2	xxxxxxx	2	Nut hex selflocking M8 (Transmission System Hardware Kit)
3	146 0150 00	1	Belt
4	145 0274 000	2	Spring
5	xxx xxxx xxx	2	Screw M8x20 (Transmission System Hardware Kit)
6	xxx xxxx xxx	3	Screw M8x14 (Transmission System Hardware Kit)
7	xxx xxxx xxx	3	Washer (Transmission System Hardware Kit)
8	xxx xxxx xxx	1	Nut hex M6 (Transmission System Hardware Kit)
9	145 5252 000	1	Battery container
10	146 0668 000	5	Insulating panel
11	xxx xxxx xxx	2	Screw hex hd M8x25 (Transmission System Hardware Kit)
12	xxx xxxx xxx	7	Washer flat (Transmission System Hardware Kit)
13	xxx xxxx xxx	1	Screw hex hd M6x20 (Transmission System Hardware Kit)
14	146 0515 000	1	Spacer
15	146 0543 000	1	Bracket
16	146 0807 000	1	Belt
17	146 0536 000	1	Supporting plate
18	145 6133 000	2	Insert
19	xxx xxxx xxx	3	Screw M6x10 (Transmission System Hardware Kit)
20	146 0690 000	1	Vacuum flange
21	146 0696 000	1	Vacuum gasket
[22]	146 0812 000	1	Transmission System Hardware Kit (1,2,5,6,7,8,11,12,13,19)
[23]	146 0813 000	2	Belt Tensioner Assy Kit (see Belt tensioner Assembly)

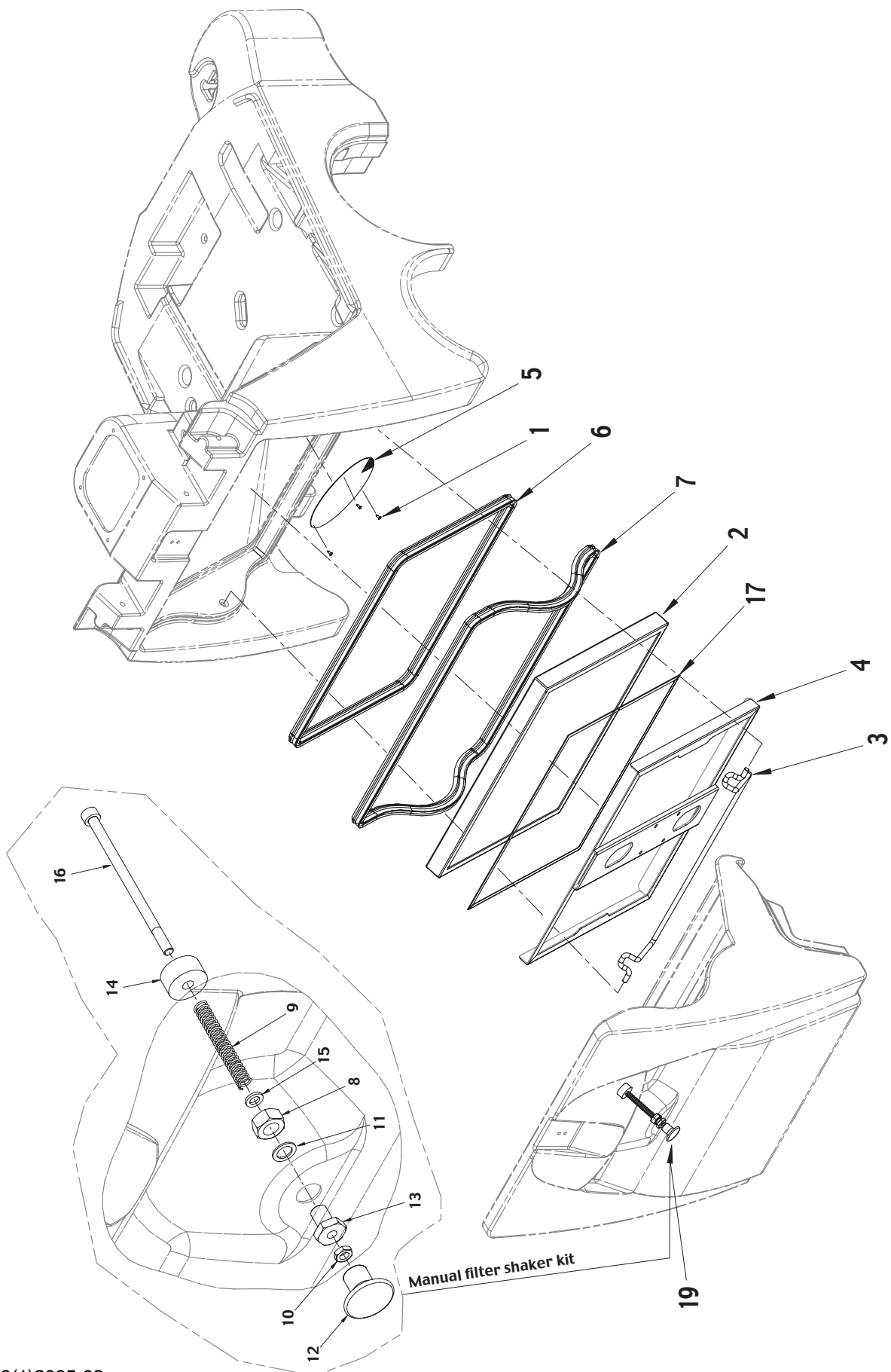


2005-03	BELT TENSIONER ASSEMBLY			
	Blue 32			15

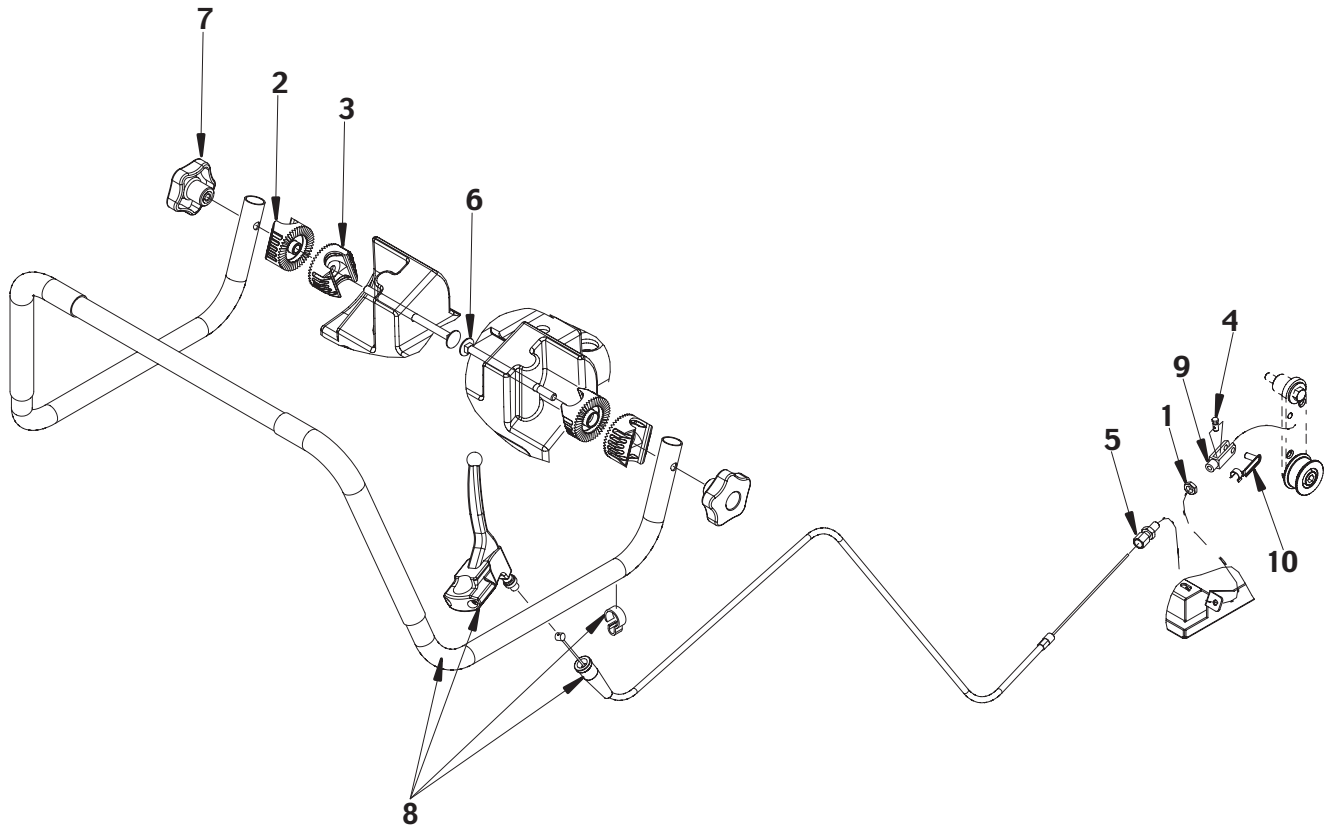
Item no.	Ref. No.	Qty	Description
1	xxx xxxx xxx	1	Washer (Belt tensioner Assy Kit)
2	xxx xxxx xxx	1	Screw M10x20 (Belt tensioner Assy Kit)
3	xxx xxxx xxx	1	Ball bearing (Belt tensioner Assy Kit)
4	xxx xxxx xxx	1	Seeger (Belt tensioner Assy Kit)
5	xxx xxxx xxx	1	Washer flat (Belt tensioner Assy Kit)
6	xxx xxxx xxx	1	Belt tensioner arm (Belt tensioner Assy Kit)
7	xxx xxxx xxx	1	Spacer (Belt tensioner Assy Kit)
8	xxx xxxx xxx	1	Bearing with flange (Belt tensioner Assy Kit)
9	xxx xxxx xxx	1	Belt stretcher roller (Belt tensioner Assy Kit)
10	xxxxxxxx	1	Nut (Belt tensioner Assy Kit)
11	xxx xxxx xxx	1	Screw M8x40 (Belt tensioner Assy Kit)
12	xxx xxxx xxx	1	Bushing (Belt tensioner Assy Kit)
[13]	146 0813 000	1	Belt tensioner Assy Kit (1,2,3,4,5,6,7,8,9,10,11,12)



Item no.	Ref. No.	Qty	Description
1	xxxxxxx	6	Nut hex selflocking M8 (Reduction Motor Assy Hardware Kit)
2	xxxxxxx	2	Washer flat (Reduction Motor Assy Hardware Kit)
3	xxxxxxx	3	Nut hex selflocking M5 (Reduction Motor Assy Hardware Kit)
4	xxxxxxx	2	Screw M6x12 (Reduction Motor Assy Hardware Kit)
5	xxx xxxx xx	4	Screw M6x12 (Reduction Motor Assy Hardware Kit)
6	145 1123 000	3	Ball bearing
7	145 1228 000	1	Dowel
8	xxx xxxx xxx	1	Washer flat (Reduction Motor Assy Hardware Kit)
9	145 1976 000	3	Ball bearing supp.low.
10	145 1977 000	3	Ball bearing supp.upp.
11	xxx xxxx xxx	4	Screw hex M5x20 (Reduction Motor Assy Hardware Kit)
12	xxx xxxx xxx	4	Screw M5x14 (Reduction Motor Assy Hardware Kit)
13	xxx xxxx xxx	6	Screw M8x80 (Reduction Motor Assy Hardware Kit)
14	145 5913 000	1	Dowel
[15]	146 0814 000	1	Reduction Motor Assy Hardware Kit (1,2,3,4,5,8,11,12,13,17,18)
16	145 8024 000	2	Tab
17	xxx xxxx xxx	4	Washer flat (Reduction Motor Assy Hardware Kit)
18	xxx xxxx xxx	3	Washer flat (Reduction Motor Assy Hardware Kit)
19	145 9774 000	1	Key
20	145 9899 000	1	Tab
21	146 0514 000	1	Pulley
22	146 0516 000	1	Pulley
23	146 0523 000	1	Gear
24	146 0524 000	1	Gear
25	146 0530 000	1	Reduction gear cpl.
26	146 0689 000	1	Fan
27	146 0538 000	1	Supporting plate
28	146 0539 000	1	Bracket electric motor
29	146 0540 000	1	Transmission shaft
30	146 0541 000	1	Bushing
31	146 0542 000	1	Main broom shaft
32	146 0605 000	1	Gear cover
33	146 0616 000	1	Spacer
34	146 0619 000	1	Key
35	146 0621 000	1	Dowel
36	146 0531 000	1	Electric motor 600W
[37]	145 5042 000	4	Carbon brush (for 146 0531 000)
38	146 0769 000	1	Key

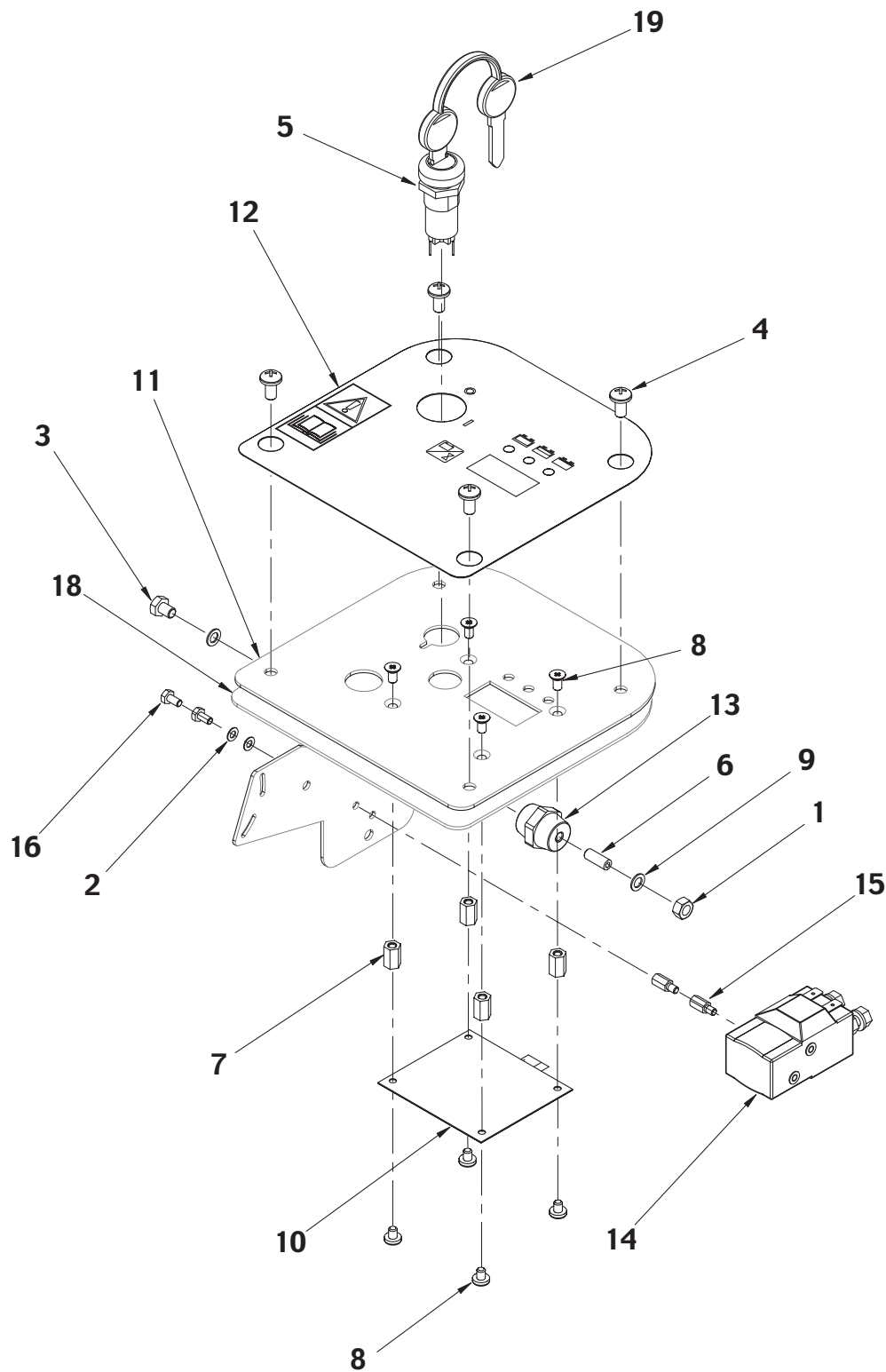


Item no.	Ref. No.	Qty	Description
1	xxx xxxx xxx	3	Screw thd form M4x12 (Miscellaneous Hardware Kit)
2	145 4806 000	1	Paper filter std
2	146 0368 000*	1	Poliester filter
2	145 4746 000*	1	Poliester filter BIA
3	146 0573 000	1	Filter hook
4	146 0574 000	1	Filter frame
5	146 0607 000	1	Fan protection
6	146 0629 000	1	Filter gasket
7	146 0741 000	1	Hopper gasket
8	xxxxxxxx	1	Nut hex M10 (Manual filter shaker kit)
9	xxx xxxx xxx	1	Spring (Manual filter shaker kit)
10	xxx xxxx xxx	1	Nut hex M6 (Manual filter shaker kit)
11	xxx xxxx xxx	1	Washer (Manual filter shaker kit)
12	xxx xxxx xxx	1	Knob M6 (Manual filter shaker kit)
13	xxx xxxx xxx	1	Filter shaker bushing (Manual filter shaker kit)
14	xxx xxxx xxx	1	Filter haker mass (Manual filter shaker kit)
15	xxx xxxx xxx	1	Washer flat (Manual filter shaker kit)
16	xxx xxxx xxx	1	Screw M6x110 (Manual filter shaker kit)
17	146 0782 000	1	Pre-filter
[18]	146 0663 000*	1	Electric filter shaker kit
[19]	146 0819 000	1	Manual filter shaker kit (8,9,10,11,12,13,14,15,16)
[20]	146 1085 000	1	Miscellaneous Hardware Kit [2 (pg.11), 1 (pg.19), 1,6 (pg. 21), 1,2,3 (pg.31)]



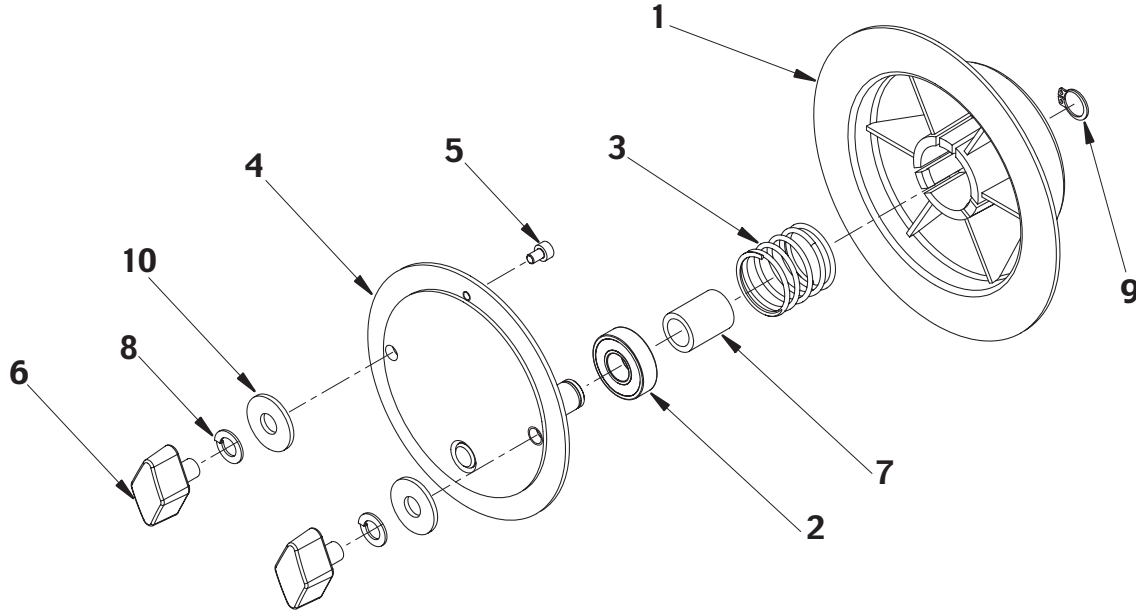
2005-03	HANDLE SYSTEM		
	Blue 32		21

Item no.	Ref. No.	Qty	Description
1	xxxxxxx	1	Nut hex low M8 (Miscellaneous Hardware Kit)
2	56264118	2	Ratchet
3	56264123	2	Ratchet
4	145 8110 000	1	Clamp wire
5	145 9283 000	1	Adjuster cable
6	xxx xxxx xxx	2	Screw 8x130 (Miscellaneous Hardware Kit)
7	146 1852 000	2	Handwheel
8	146 2297 000	1	Handle complete
9	145 9409 000	1	Yoke long M6
10	145 9410 000	1	Pin, clip long M6
[11]	146 1085 000	1	Miscellaneous Hardware Kit [2 (pg.11), 1(pg.19), 1,6 (pg.21), 1,2,3 (pg.31)]

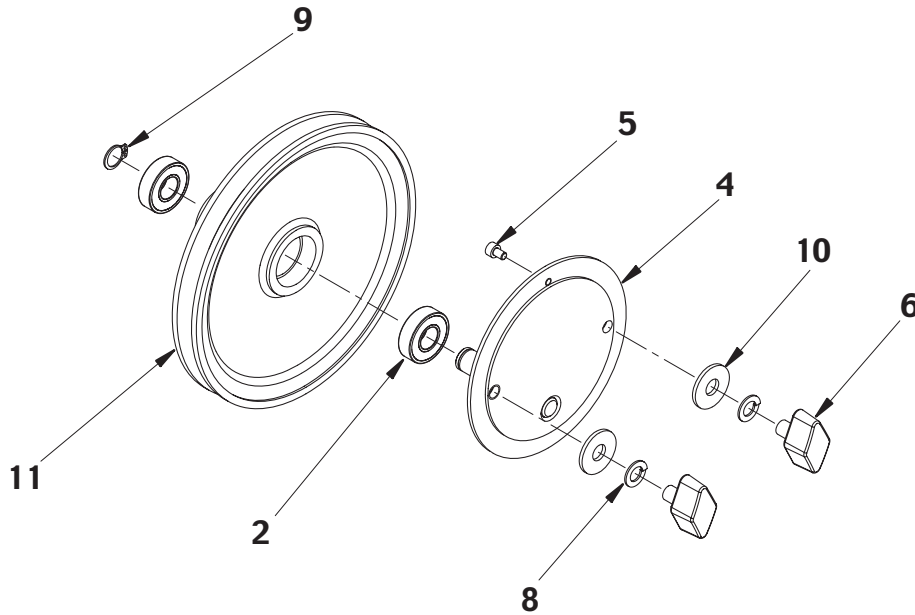


Item no.	Ref. No.	Qty	Description
1	xxxxxxx	1	Nut (Control Panel Assy Hardware Kit)
2	xxxxxxx	2	Washer (Control Panel Assy Hardware Kit)
3	xxxxxxx	1	Screw M6x10 (Control Panel Assy Hardware Kit)
4	xxxxxxx	4	Screw M6x12 (Control Panel Assy Hardware Kit)
5	145 0372 000	1	Key switch (w/ 2 Keys)
6	146 1678 000	1	Dowel
7	146 0657 000	4	Spacer hex. plastic
8	xxx xxxx xxx	8	Screw M4x8 (Control Panel Assy Hardware Kit)
9	xxx xxxx xxx	2	Washer (Control Panel Assy Hardware Kit)
10	146 0570 000	1	Electronic card
11	146 0576 000	1	Control panel
12	146 0584 000	1	Control panel decal
13	146 0708 000	1	Insulator
14	146 0626 000	1	Electromagnetic switch
15	xxx xxxx xxx	2	Spacer (Control Panel Assy Hardware Kit)
16	xxx xxxx xxx	2	Screw M4x8 (Control Panel Assy Hardware Kit)
[17]	146 0815 000	1	Control Panel Assy Hardware Kit (1,2,3,4,8,9,15,16)
18	146 0697 000	1	Gasket
19	146 0806 000	1	Key (pcs.2) (for 145 0372 000)

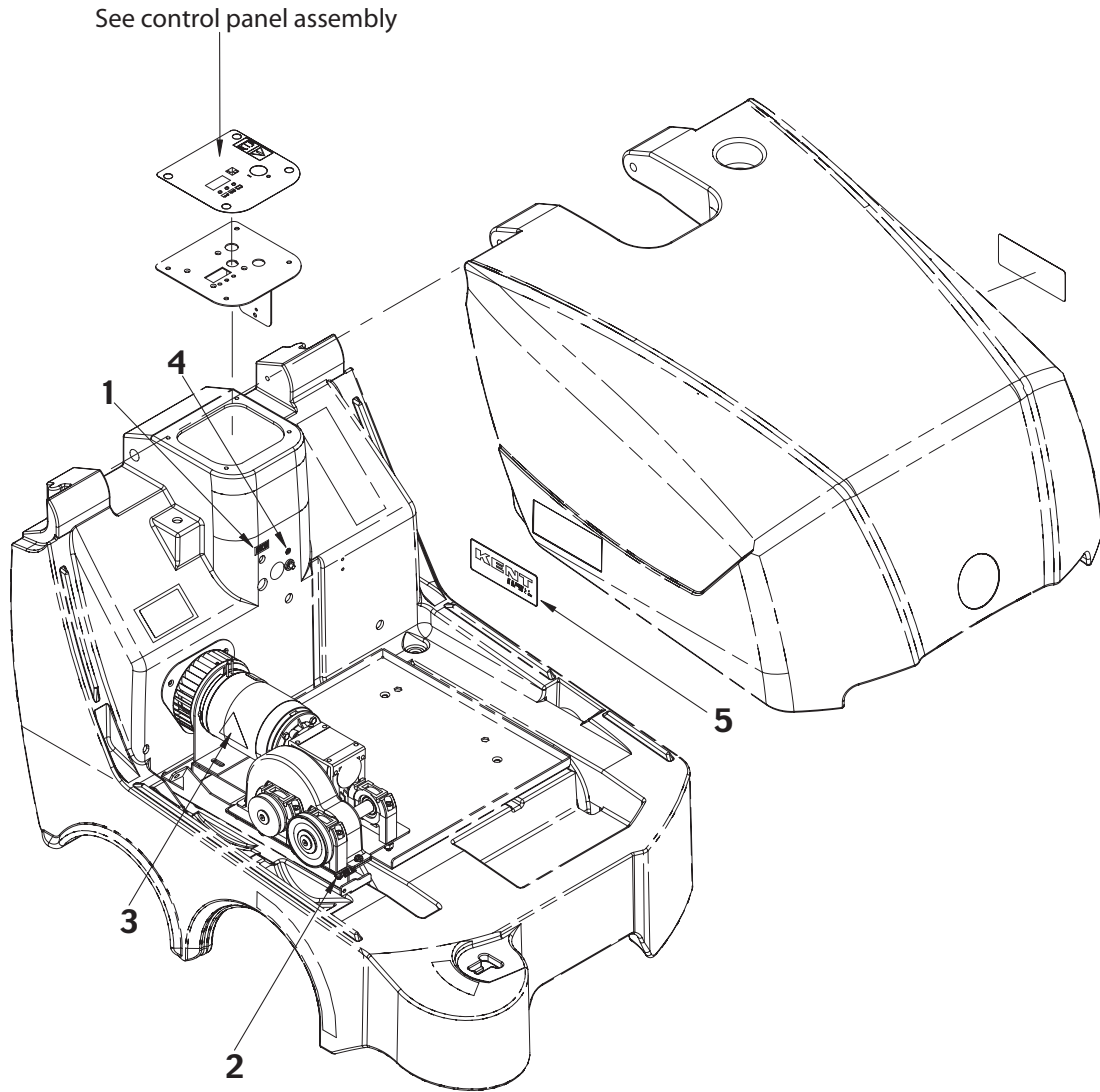
12 Left hub assembly Kit



13 Right hub assembly Kit

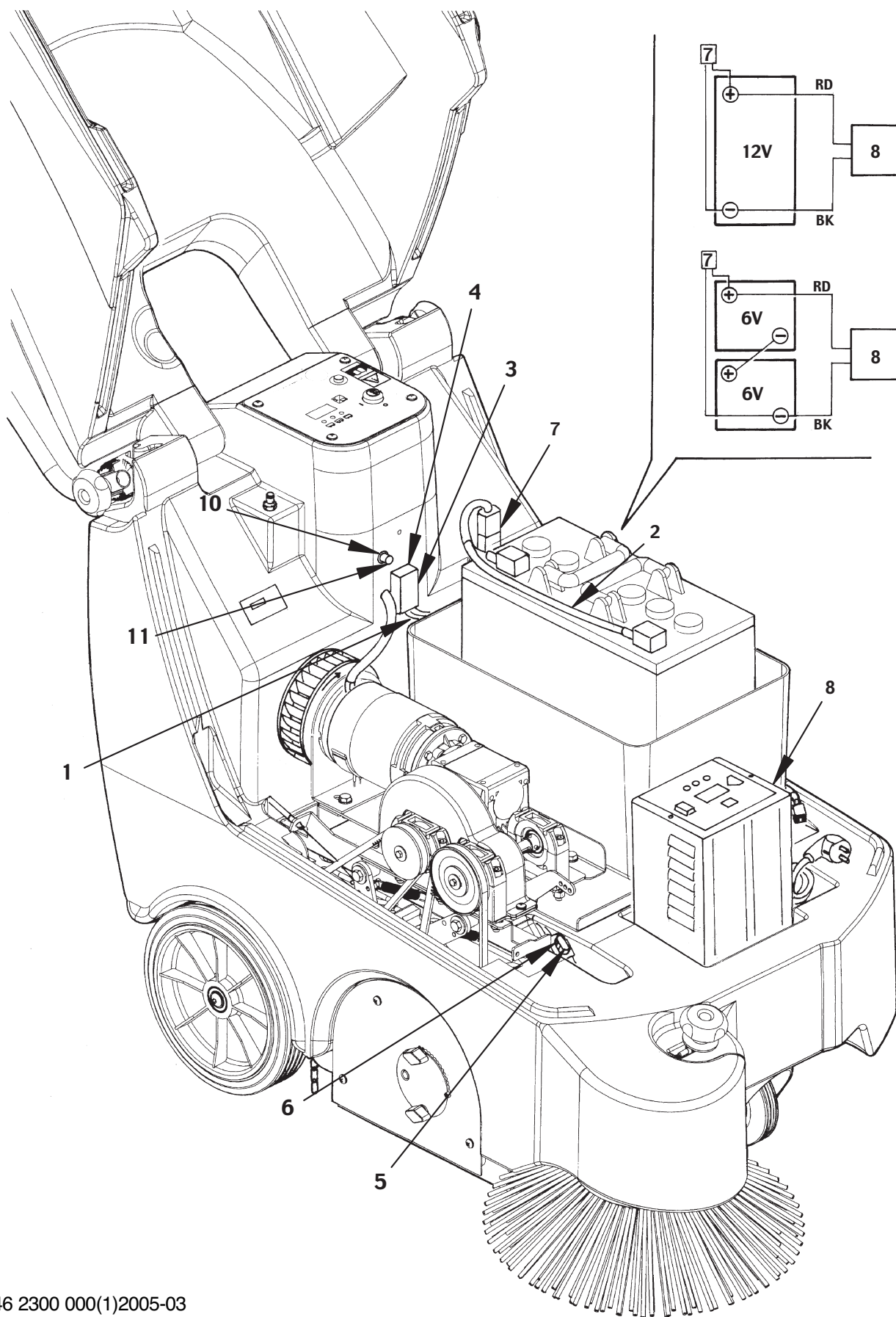


Item no.	Ref. No.	Qty	Description
1	xxx xxxx xxx	1	Left hub (Left Hub Assy Kit)
2	xxx xxxx xxx	3	Ball bearing (Left Hub Assy Kit - Right Hub Assy Kit)
3	xxx xxxx xxx	1	Spring (Left Hub Assy Kit)
4	xxx xxxx xxx	2	Pin (Left Hub Assy Kit - Right Hub Assy Kit)
5	xxx xxxx xxx	2	Screw hex hd M4x6 (Left Hub Assy Kit - Right Hub Assy Kit)
6	xxx xxxx xxx	4	Knob (Left Hub Assy Kit - Right Hub Assy Kit)
7	xxx xxxx xxx	1	Spacer (Left Hub Assy Kit)
8	xxx xxxx xxx	4	Washer(Left Hub Assy Kit - Right Hub Assy Kit)
9	xxx xxxx xxx	2	Retaining ring(Left Hub Assy Kit - Right Hub Assy Kit)
10	xxx xxxx xxx	4	Washer flat (Left Hub Assy Kit - Right Hub Assy Kit)
11	xxx xxxx xxx	1	Pulley (Right Hub Assy Kit)
12	146 0818 000	1	Left Hub Assy Kit (1,2,3,4,5,6,7,8,9,10)
13	146 0817 000	1	Right Hub Assy Kit (2,4,5,6,8,9,10,11)



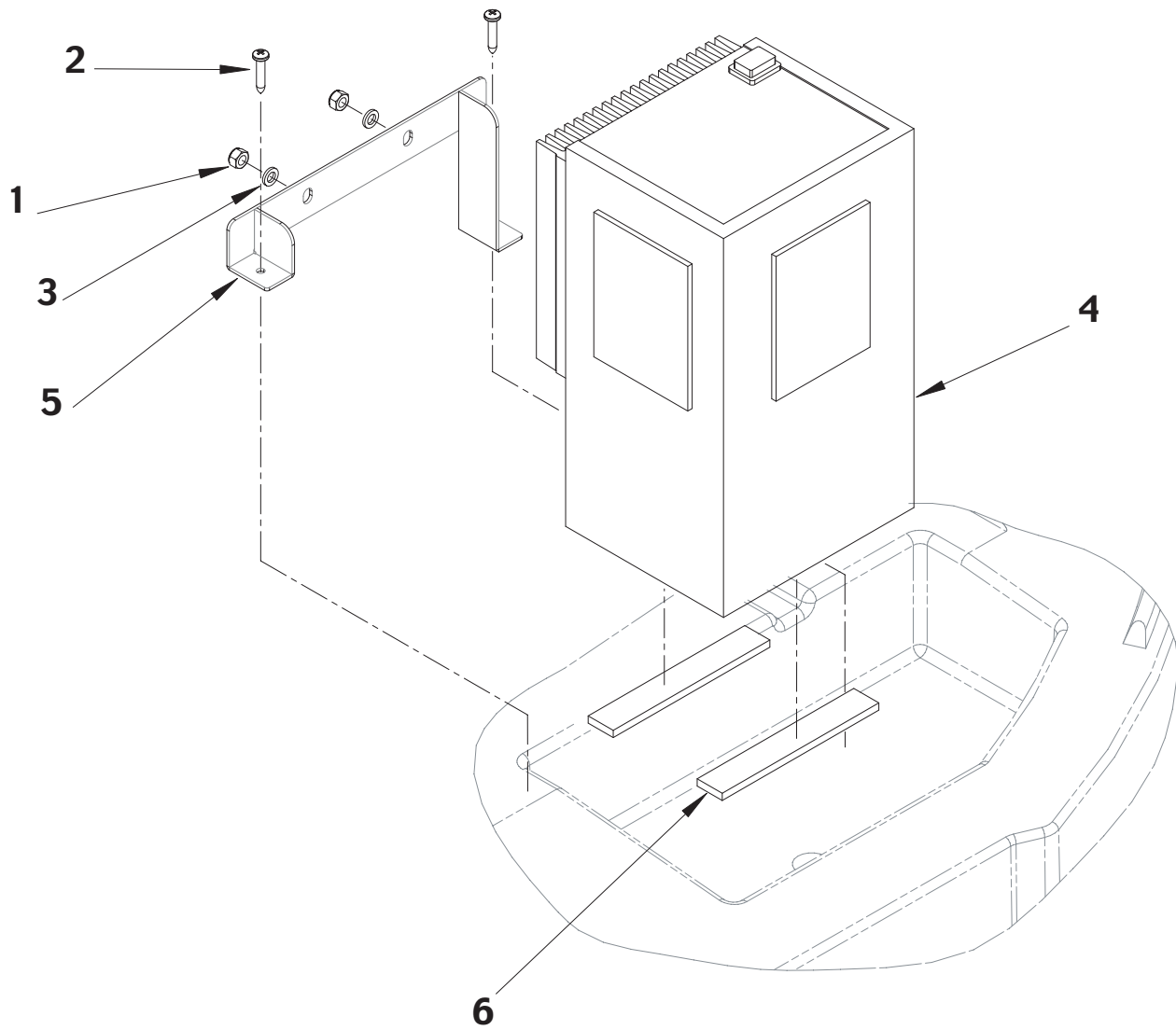
2005-03	DECALS		
	Blue 32		27

Item no.	Ref. No.	Qty	Description
1	145 0577 000	1	Decal Fuse 10A
2	145 1355 000	1	Decal Fuse 15A
3	145 1431 000	1	Decal Warning-Gears
4	146 1201 000	1	Decal Fuse 70A
5	146 2299 000	2	Decal Kent Blue 32



2005-03	ELECTRICAL PARTS		
	Blue 32		29

Item no.	Ref. No.	Qty	Description
1	146 0598 000	1	Machine wiring
2	146 0599 000	1	Battery wiring
3	146 0659 000	1	Main fuse holder
4	146 1200 000	1	Circuit breaker 70A
5	146 0660 000	1	Side broom fuse holder
6	145 9853 000	1	Fuse 15A
7	146 0747 000	2	Power connector
8	146 0670 000	1	Battery charger 12V 20A - 110V
[9]	145 3735 000	1	Charger connection
10	146 0716 000	1	Fuse holder
11	145 1726 000	1	Fuse 10A



2005-03	BATTERY CHARGER ASSEMBLY		
	Blue 32		31

Item no.	Ref. No.	Qty	Description
1	xxxxxxx	2	Nut, selflocking M6 (Miscellaneous Hardware Kit)
2	xxx xxxx xxx	2	Screw 4x8 thd form (Miscellaneous Hardware Kit)
3	xxx xxxx xxx	2	Washer flat 6x12,5 (Miscellaneous Hardware Kit)
4	146 0670 000	1	Battery charger 12V 20A-110V
5	146 0655 000	1	Bracket
6	146 0656 000	2	Seal
[7]	146 1085 000	1	Miscellaneous Hardware Kit [2 (pg.11), 1 (pg.19), 1,6 (pg. 21), 1,2,3 (pg.31)]

CBSW2 NA 12V 20A IUJA Wet / Gel

CBSW2 NA battery charger has a diagram block described on the figure below. (Fig.1)

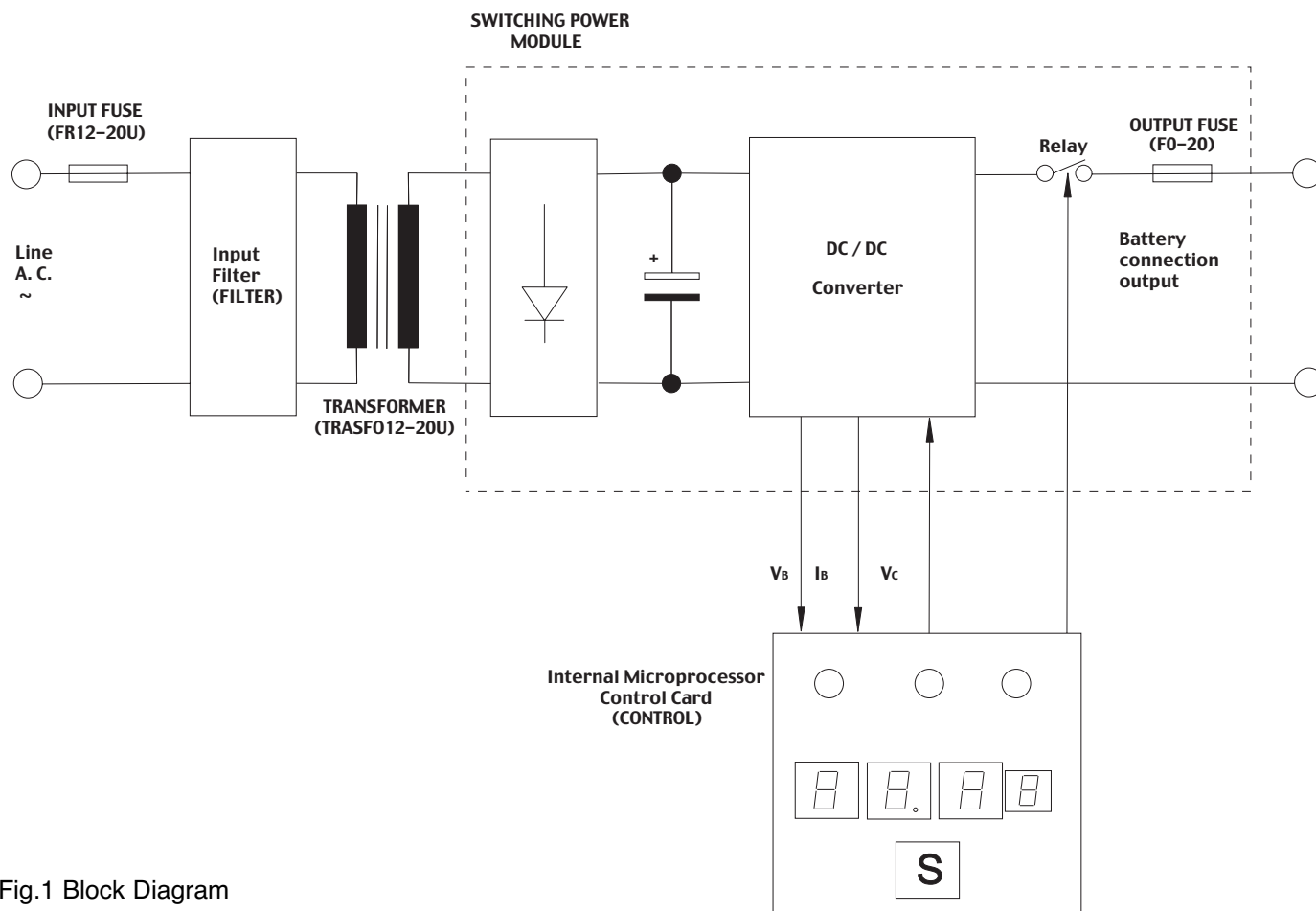


Fig.1 Block Diagram

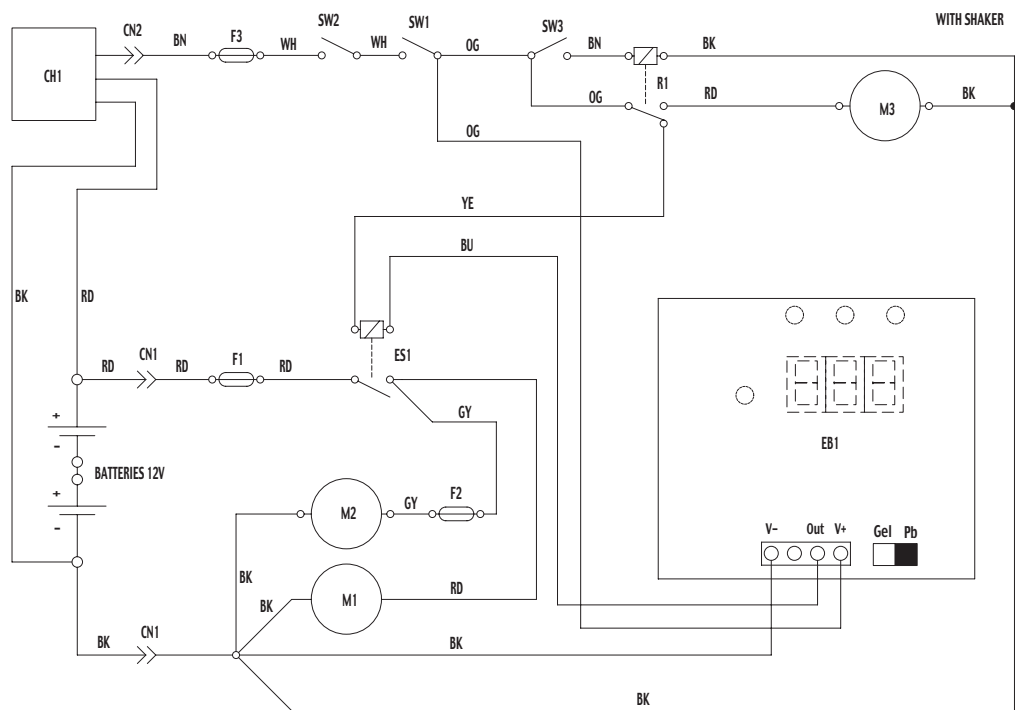
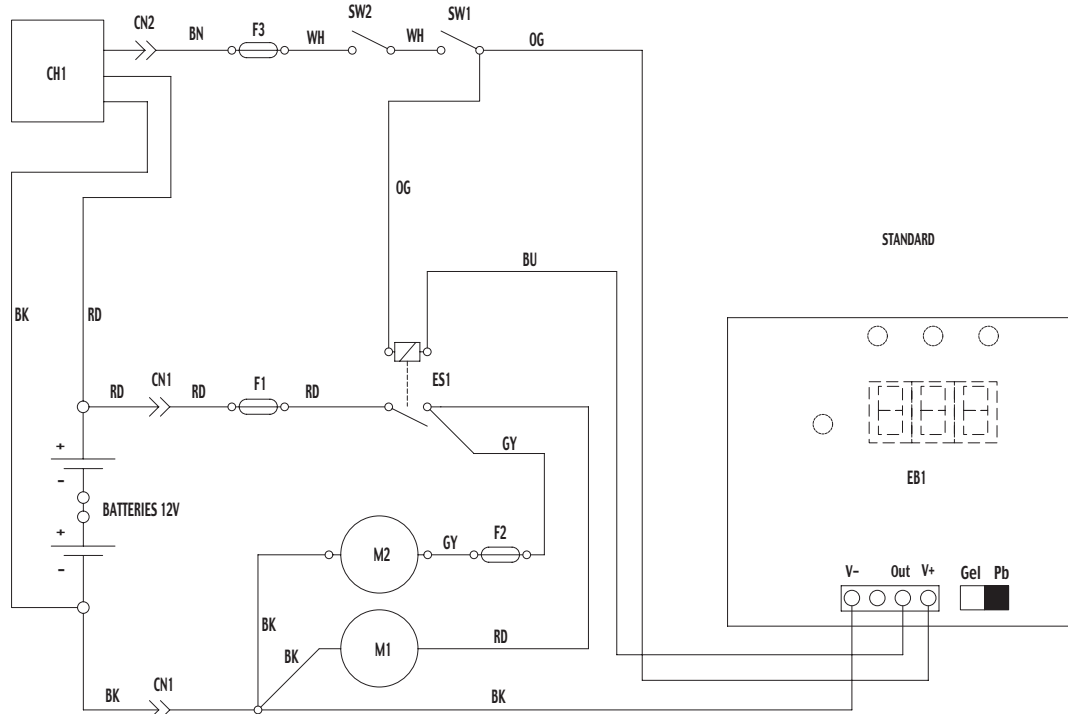
The Switching Power Module (PWMOD12-20) rectifies the transformer voltage and it also makes a DC/DC conversion. The output of the DC/DC converter is connected to the battery to be charged. The value of charging current depends on the control signal (V_c) that is provided by the Microprocessor Internal Control Card (CONTROL). V_c is related to the actual values of the battery voltage (V_b) and battery current (I_b) that are inputs of the control card.

The Internal Microprocessor Control Card controls the charging process with the particular charging curve set by the dipswitch configuration and displays the most important parameters of the charging cycle.

AVAILABLE SPARE PARTS

DESCRIPTION	NILFISK-ADVANCE PART NO.	QUANTITY	DIAGRAM REFERENCE
8 Amp input fuse	145 1724 000	1	FR12-20U
32 Amp output fuse	146 0795 000	1	FO-20
1,6 Amp control fuse	146 0794 000	1	not shown
Transformer	146 0796 000	1	TRASFO12-20U
Control Card	146 0797 000	1	CONTROL
Input filter	146 0798 000	1	FILTER
Power cable	146 0799 000	1	not shown
Fan	146 0800 000	1	not shown
Wet/Gel switch	146 0801 000	1	not shown

Item no.	Ref. No.	Qty	Description
			<i>Wear Parts</i>
145 4806 000		1	Filter paper std
146 0743 000		1	Rear skirt non marking std
146 0587 000		2	Side skirt non marking left/ right std
146 0752 000		1	Main broom std ø 245 mm nylon std
146 1200 000		1	Fuse 70A (from serial number 1664872)
145 9853 000		1	Fuse 15A
146 0678 000		1	Side broom nylon ø180x347 std
146 0756 000		1	Front skirt soft std
145 1726 000		1	Fuse 10A
			<i>Ordinary Maintenance</i>
145 0274 000		2	Belt tension spring
146 0150 00		1	Main broom belt
146 0807 000		1	Drive belt
146 0519 000		1	Side broom hub
145 5042 000		4	Electric drive motor carbon brushes
			<i>Extraordinary Maintenance</i>
146 0513 000		1	Rear wheel right
146 0518 000		1	Rear wheel left
146 0532 000		1	Side broom motor gear box
146 0626 000		1	Solenoid contactor
146 0570 000		1	Electronic board display
146 0565 000		1	Hood switch
145 0270 000		3	Ball bearing main broom
145 1123 000		3	Ball bearing transmission
145 9186 000		2	Ball bearing belt tensioner
146 0629 000		1	Filter gasket
146 0741 000		1	Hopper gasket
146 0806 000		1	Keys 2 pcs.(for 145 0372 000)
146 1172 000		1	Cable, traction
			<i>Options</i>
146 0738 000		2	Skirt front/ rear stiffer type
146 0742 000		1	Skirt front non marking
146 0555 000		1	Skirt side right / left
146 0743 000		1	Skirt rear non marking
146 0569 000		1	Locking front castor wheel
146 0368 000		1	Polyester filter - antistatic
145 4746 000		1	Polyester filter - BIA C approved
146 0750 000		1	Main broom steel mix ø265x600
146 0748 000		1	Main broom PPL ø265x600
146 0749 000		1	Main broom natural fibre ø265x600
146 0753 000		1	Main broom natural fibre ø245x600
146 0751 000		1	Main broom PPL ø245x600
145 4959 000		1	Side broom steel mix ø180x420
145 4976 000		1	Side broom natural fibre ø180x420
145 1899 000		1	Side broom PPL ø180x420
146 0663 000		1	Electric filter shaker kit
146 2306 000		1	Front skirt kit



COLORS CODES		
BK	BLACK	nero
BU	BLUE	azzurro
BN	BROWN	marrone
GN	GREEN	verde
GY	GREY	grigio
OG	ORANGE	arancio
PK	PINK	rosa
RD	RED	rosso
VT	VIOLET	viola
WH	WHITE	bianco
YE	YELLOW	giallo

COMPONENTS	
CH1	BATTERY CHARGER 146 0670 000
CN1	BATTERY CONNECTOR 146 0747 000
CN2	CHARGER CONNECTOR 145 3735 000
EB1	ELECTRONIC BOARD 146 0570 000
ES1	ELECTROMAGNETIC SWITCH 146 0626 000
F1	CIRCUIT BREAKER 70A 146 1200 000
F2	SIDE BRUSH FUSE (15A) 145 9853 000
F3	SIGNAL FUSE (10A) 145 1726 000
M1	MAIN MOTOR (Traction main broom) 146 0531 000
M2	EXT BRUSH MOTOR 146 0532 000
M3	SHAKER MOTOR 146 0527 000 OPTIONAL
R1	SHAKER RELAYS 145 9377 000 OPTIONAL
SW1	KEY SWITCH 145 0372 000
SW2	HOOD SAFETY SWITCH 146 0565 000
SW3	SHAKER SWITCH 145 8885 000 OPTIONAL

KENT
14600 21st Avenue North
Plymouth, MN, 55447-3408
www.kenturoclean.com
Phone: 800-334-1083
Fax: 866-261-4779
©2005 Printed in Italy