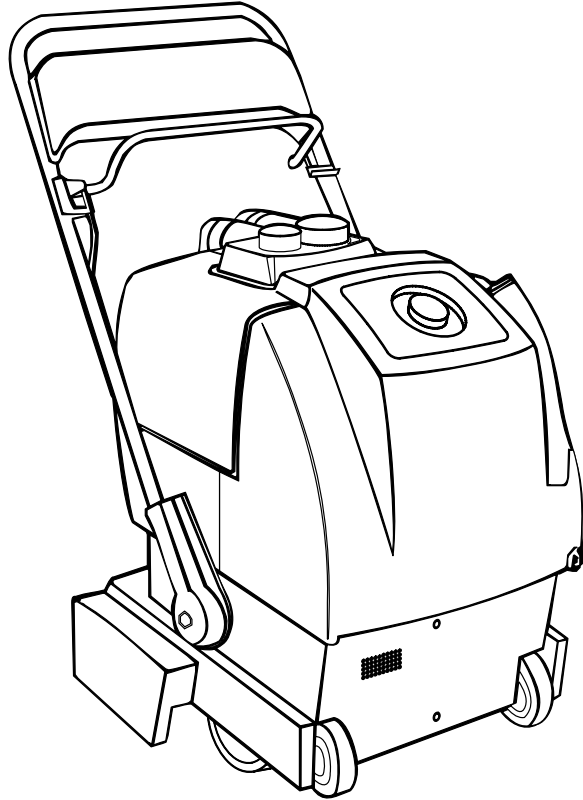
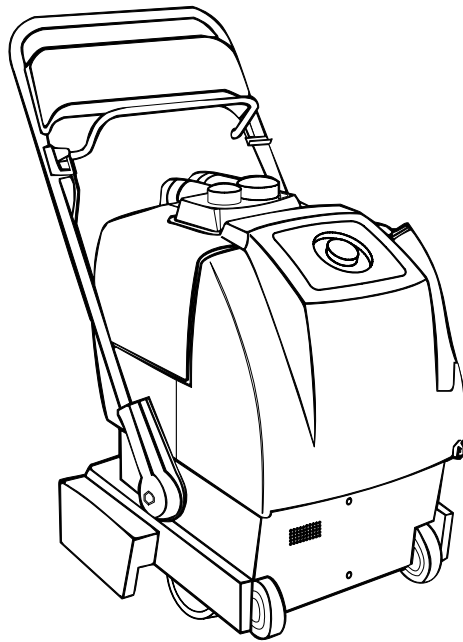


DuraTrac™ 19



PARTS LIST
Kent MODEL 56636859

KENT

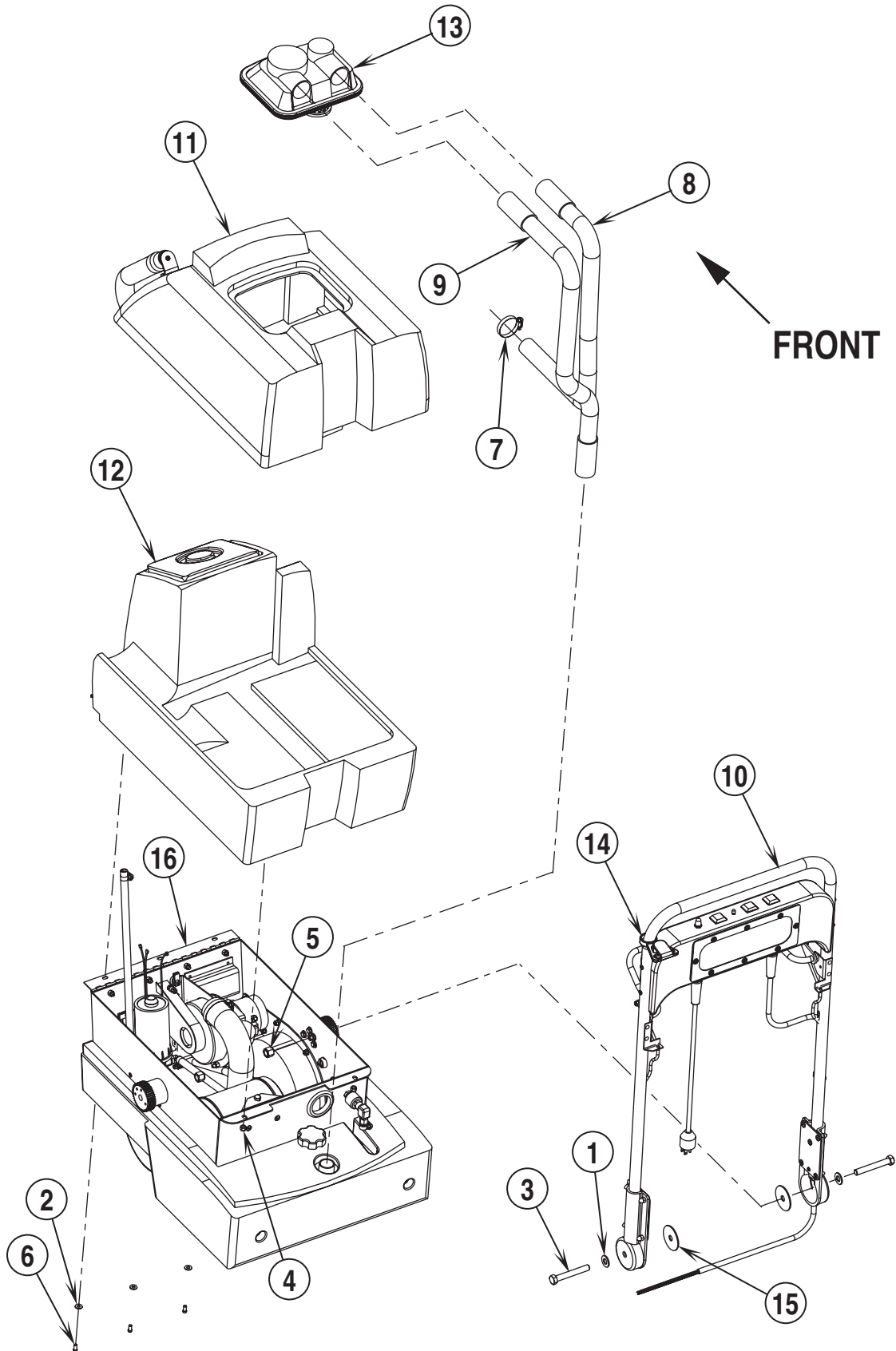


DESCRIPTION	PAGE
FINAL ASSEMBLY	2-3
BASE SYSTEM	4-5
BASE ASSEMBLY	6-7
BASE SYSTEM COMPONENTS	8-9
SOLUTION TANK ASSEMBLY	10-11
RECOVERY TANK ASSEMBLY	12-13
HANDLE ASSEMBLY	14-15
WIRING DIAGRAM	16-17

WHEN ORDERING PARTS

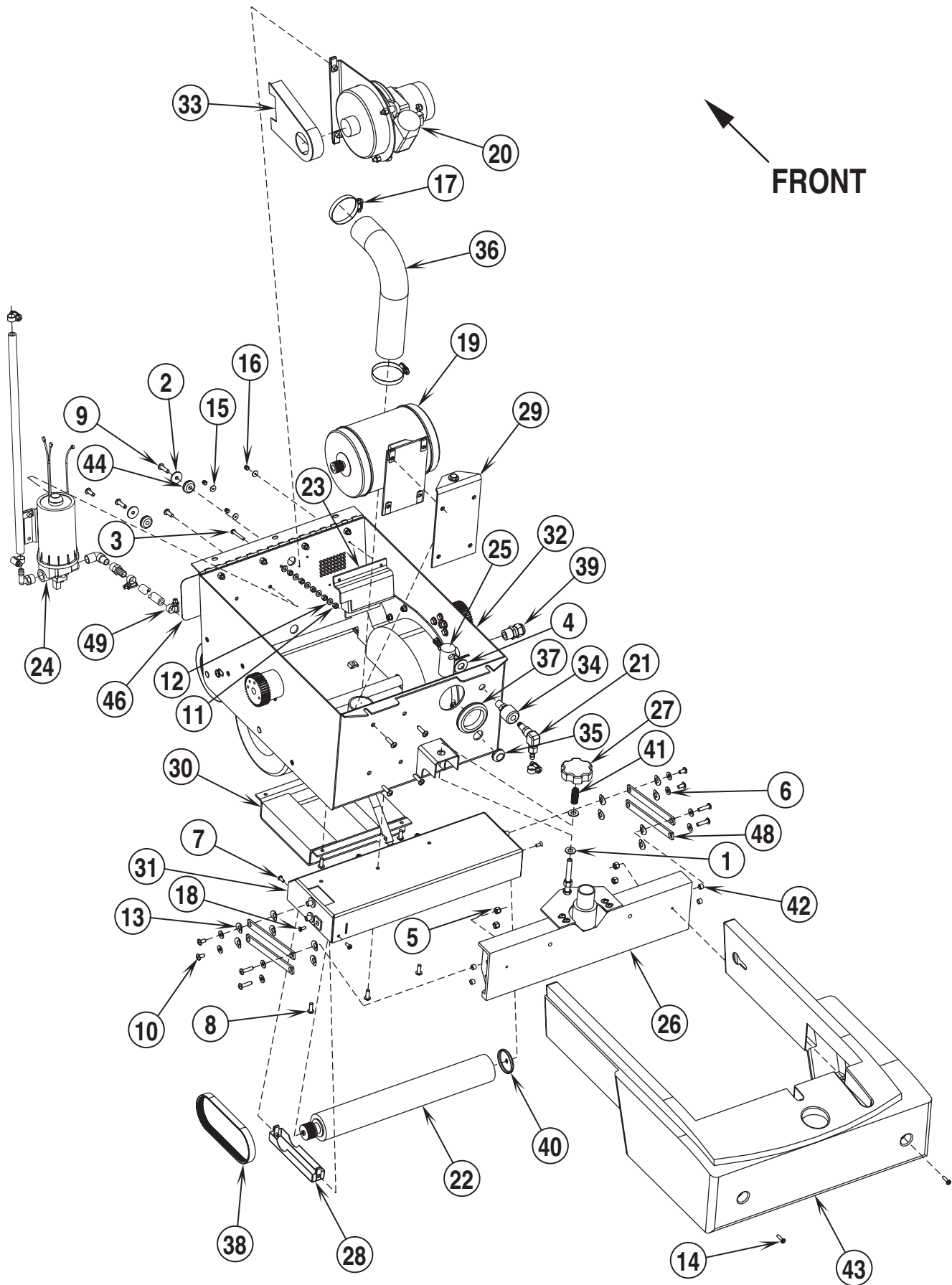
- * Use the 8 digit numbers from the "Ref. No." columns in this parts list.
- * Specify the model and serial number of the machine.
- * Use the space below to record the model and serial number for future reference.

Model _____ Serial No. _____



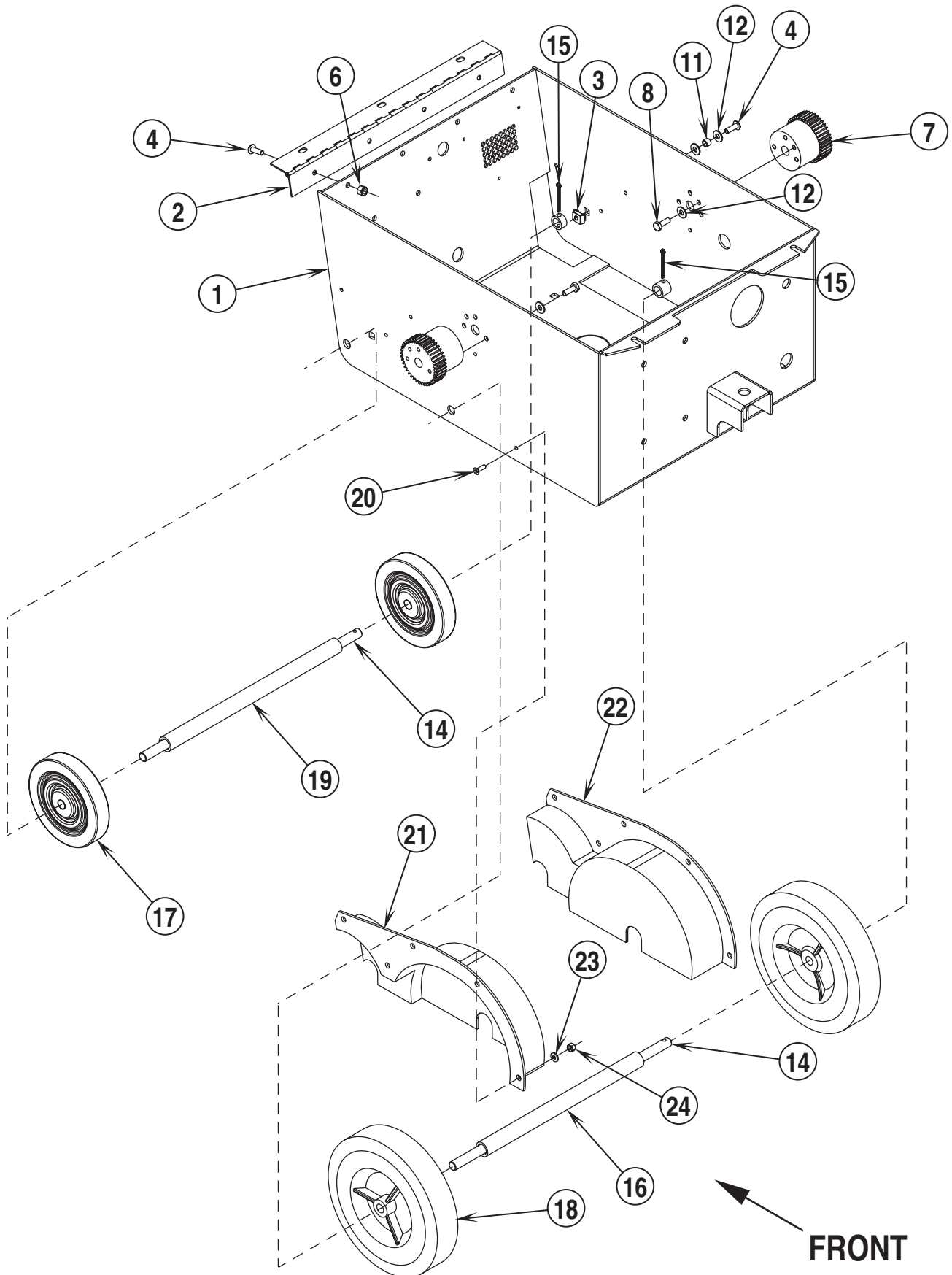
Item	Ref. No.	Qty	Description
1	56001879	2	Wsh, Flt SAE 1/2
2	56002098	3	Wsh, Flt SAE 1/4
3	56002331	2	Scr, Hex Hd 1/2-13 x 3.50
4	56002708	2	Nut, Hex Nyl Loc 1/4-20
5	56002770	2	Nut, Hex Nyl Loc 1/2-13
6	56002801	3	Scr, Hex Hd SS 1/4-20 x .50
7	56329145	1	Clamp, Hose SAE #24
8	56035164	1	Hose
9	56035165	1	Hose
10	56035344	1	Handle Assy (see associated pages)
11	56035347	1	Recovery Tank Assy (see associated pages)
12	56035364	1	Solution Tank Assy (see associated pages)
13	56035572	1	Recovery Lid Assy
*	56056378	1	Cover, Recovery Tank
*	56056379	1	Gasket, Foam
*	56057689	1	Filter, Float Ball
14	56056550	1	Strain Relief Cleat
15	56056787	2	Plate, Spacer
16	N/A	1	Base System (see associated pages)
*	56026015	1	Cord, Power

* = Not Shown



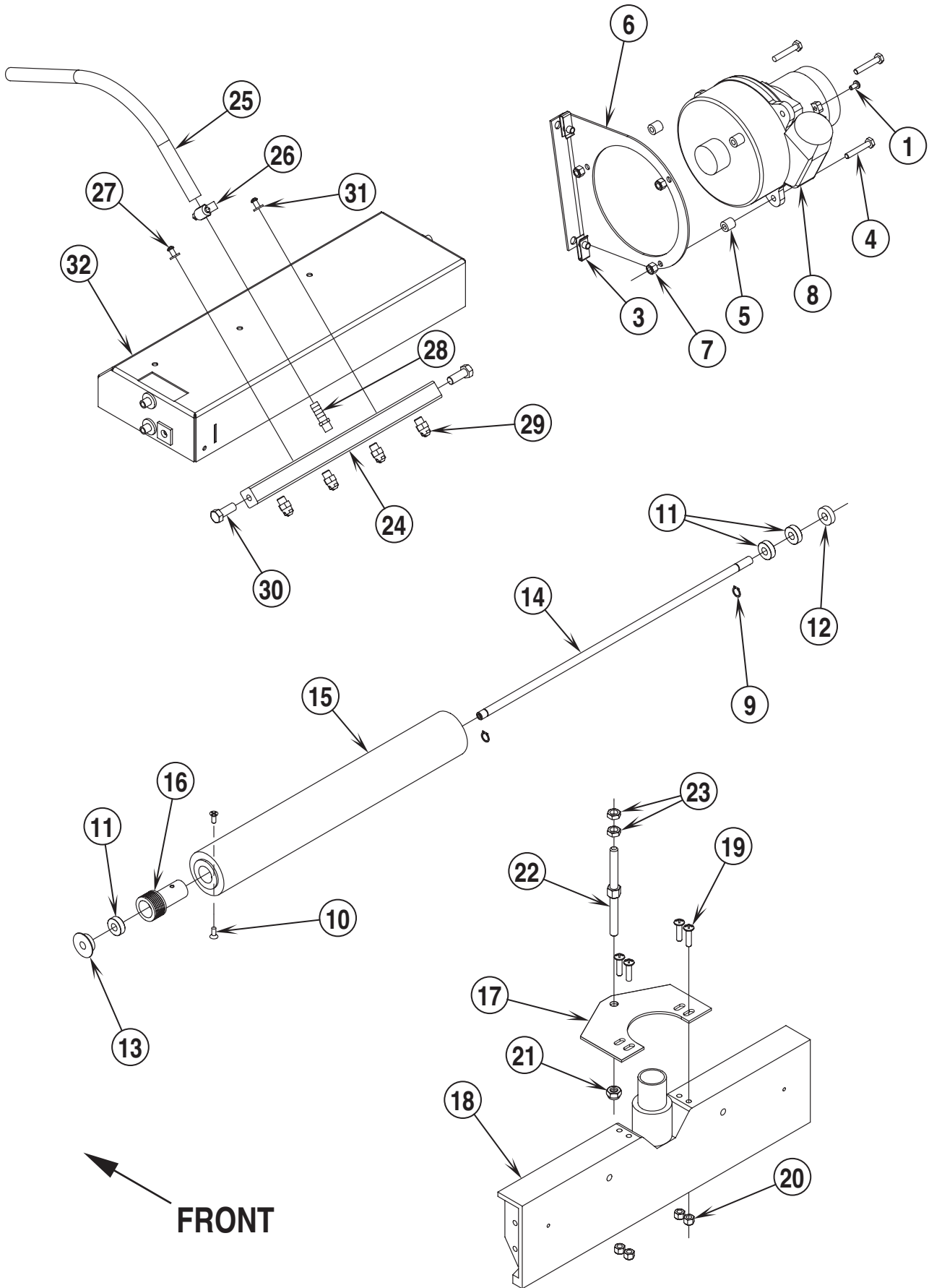
Item	Ref. No.	Qty	Description	Item	Ref. No.	Qty	Description
1	56002063	3	Wsh, Flt SAE 3/8	25	56035178	1	Valve Assy
2	56009060	2	Wsh, Flt SS .260 x 1.000 x .074	*	56026017	1	Valve, Solenoid
3	56002231	1	Scr, Pan Phil 10-24 x 1.50	*	56155640	1	Barb, 3/8 x 1/4 Brass
4	56002319	1	Wsh, Flt SAE 9/16	26	56035192	1	Vac Chamber Assy
5	56002491	4	Nut, Hex Nyl Loc SS 1/4-20				(see base sys components)
6	56002859	8	Wsh, Flt SAE SS 1/4	27	56035206	1	Knob Assy
7	56002900	2	Scr, Pan Phil SS 10-24 x .50	*	56056653	1	Knob, Plastic
8	56002957	9	Scr, Pan Phil SS 1/4-20 x .75	*	56009183	1	Scr, Soc Set Loc 10-24 x .019
9	56003067	10	Scr, Pan Phil SS 1/4-20 x 1.00	28	56035230	1	Bracket
10	56003119	4	Scr, Pan Phil SS 1/4-20 x .50	29	56035340	1	Takeup Assy
11	56009009	5	Nut, Hex Machine 10-24	*	56035339	1	Weld't, Takeup
12	56009011	5	Wsh, Int SHPRF #10	*	56035338	1	Weld't, Plate W/nut
13	56009024	12	Wsh, Bowed .375 x .844 x .060	*	56001834	1	Scr, Hex Hd 5/16-18 x 1.25
14	56009043	2	Scr, Pan Phil Thd Form 10-24 x .75	*	56002063	1	Wsh, Flt SAE 3/8
15	56009098	3	Wsh, Flt SS .125 x .500 x .036	30	56035349	1	Exhaust Muffler Assy
16	56003647	3	Rivet, Pop .125 x .250	*	56057062	1	Aluminum Bracket
17	56440213	2	Clamp, Hose SAE #32	*	56056567	2	Foam
18	56003558	2	Scr, Flt Phil SS 10-24 x .50	31	56035350	1	Extractor Assy
19	56025999	1	Motor Assy				(see base sys components)
*	56025998	1	Motor AC, 115V/208-230V	32	56035352	1	Base Assy
*	56056606	1	Pulley, Groove				(see associated pages)
*	56001984	1	Pin, Spr .12 x .75	33	56035383	1	Plate Assy
*	56009289	4	Nut Clamp	*	56057128	1	Plate, Aluminum
*	56025777	1	Wire Assy	*	56057129	1	Gasket, Foam
*	56056607	1	Romex Clamp 1/2"	34	56050815	1	Coupling, Quick Disconnect
*	56900902	2	Receptacle, .25	35	56052338	1	Grommet
20	56026016	1	Vac Motor Assy	36	56052881	1	Hose
			(see base sys components)	37	56053901	1	Grommet
21	56034776	1	Coupler Assy	38	56407466	1	Belt, Poly-V
*	56050814	1	Coupler	39	56323135	1	Strain Relief
*	56752754	1	Barb, Hose, 3/8 x 1/4 Female Brass	40	56055578	1	Thread Form
*	56050199	1	Elbow	41	56056483	1	Spring, Compression
22	56035151	1	Brush Assy	42	56056522	4	Bushing, Sleeve
			(see base sys components)	43	56056526	1	Cover, Machined
23	56035157	1	Cooling Muffler Assy	44	56056551	2	Grommet
*	56056568	1	Air Cooling Muffler	45			Intentionally Omitted
*	56056569	1	Self Adhesive Foam	46	56057635	1	Decal, Warning
24	56035176	1	Pump Assy	47			Intentionally Omitted
*	56035162	1	Pump	48	56644457	4	Bar, Steel
*	56900021	1	Elbow, Str 90 Deg.	49	56756364	3	Clamp, Hose SAE #4
*	56753691	1	Fitting Brass	*	56026005	1	Wire Assembly 16 GA white 4CNDCT, QD
*	56409507	1	Barb 3/8NPT x 1/2				
*	56756364	2	Clamp, Hose SAE #4				
*	56396180	1	Hose, Spiral				
*	56054146	1	Hose, 20"				
*	56009289	2	Nut, Speed				

* = Not Shown

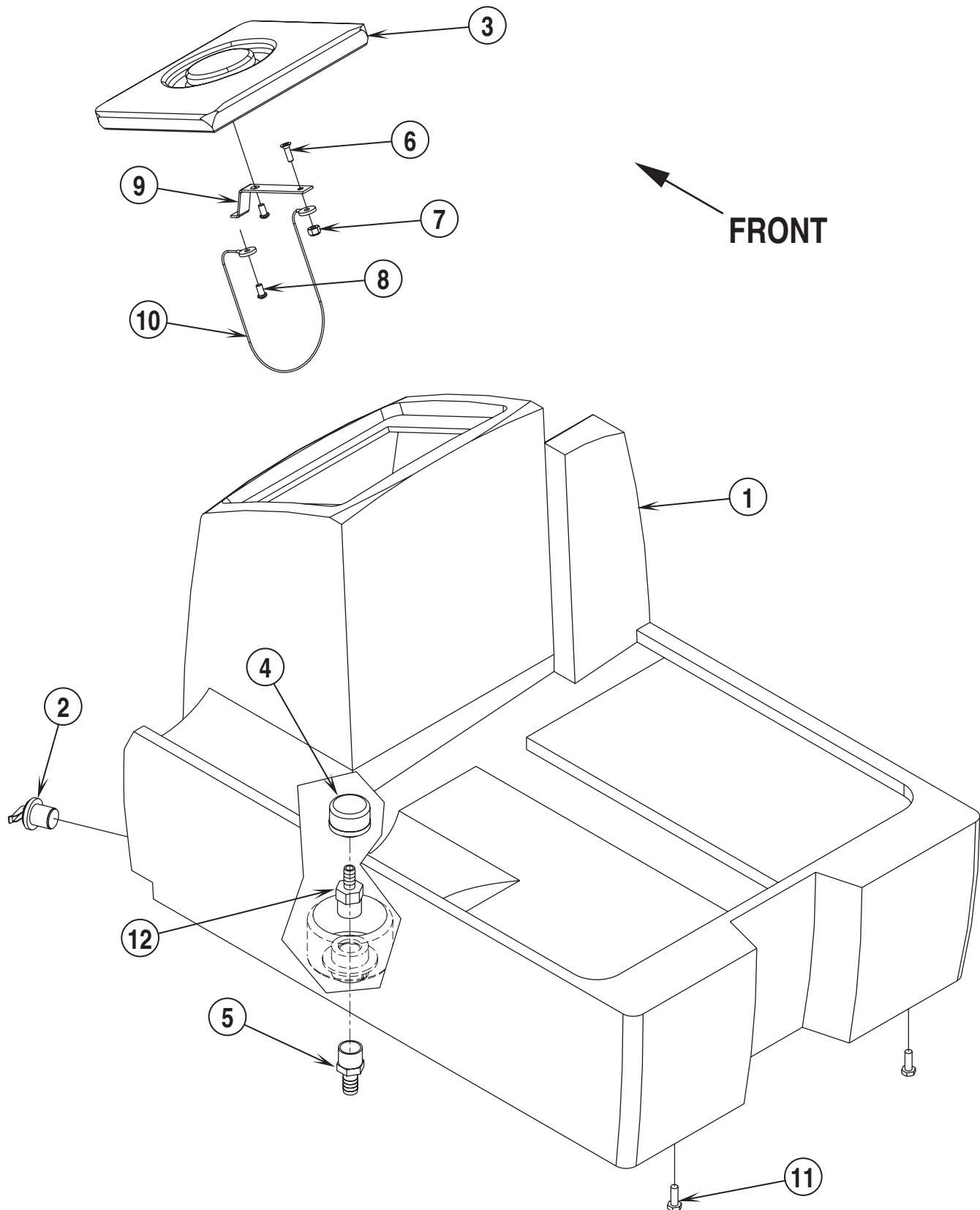


99-11	BASE ASSEMBLY			
01-11	DuraTrac™ 19			7

Item	Ref. No.	Qty	Description
	56035352	1	Base Assy (#1-24)
1	56035425	1	Extractor Base
2	56056556	1	Hinge
3	56009280	9	1/4-20 Self Retaining Nut
4	56002597	6	Scr, Hex Hd 3/8-24 x .75
5			Intentionally Omitted
6	56002491	4	Nut, Hex Nyl Loc SS 1/4-20
7	56057249	2	Gear
8	56002948	8	Scr, Hex Loc 1/4-20 x .75
9			Intentionally Omitted
10			Intentionally Omitted
11	56056522	2	Bushing
12	56002098	12	Wsh, Flt SAE 1/4
13			Intentionally Omitted
14	56056554	2	Wheel Axle
15	56002181	2	Pin, Cotter .12 x 1.50
16	56330047	1	Wheel Spacer TSB 798
17	56048058	2	Wheel, 5" Dia.
18	56210148	2	Wheel, 8" Dia. TSB 798
19	56056860	1	1/2" Nom Plastic Pipe x 12.50"
20	56003056	10	Scr, Flt Phil SS 10-24 x .62
21	56056415	1	Cover, Wheel
22	56056414	1	Cover, Wheel
23	56002916	10	Wsh, Flt SAE SS #10
24	56002836	10	Nut, Hex Nyl Loc SS 10-24

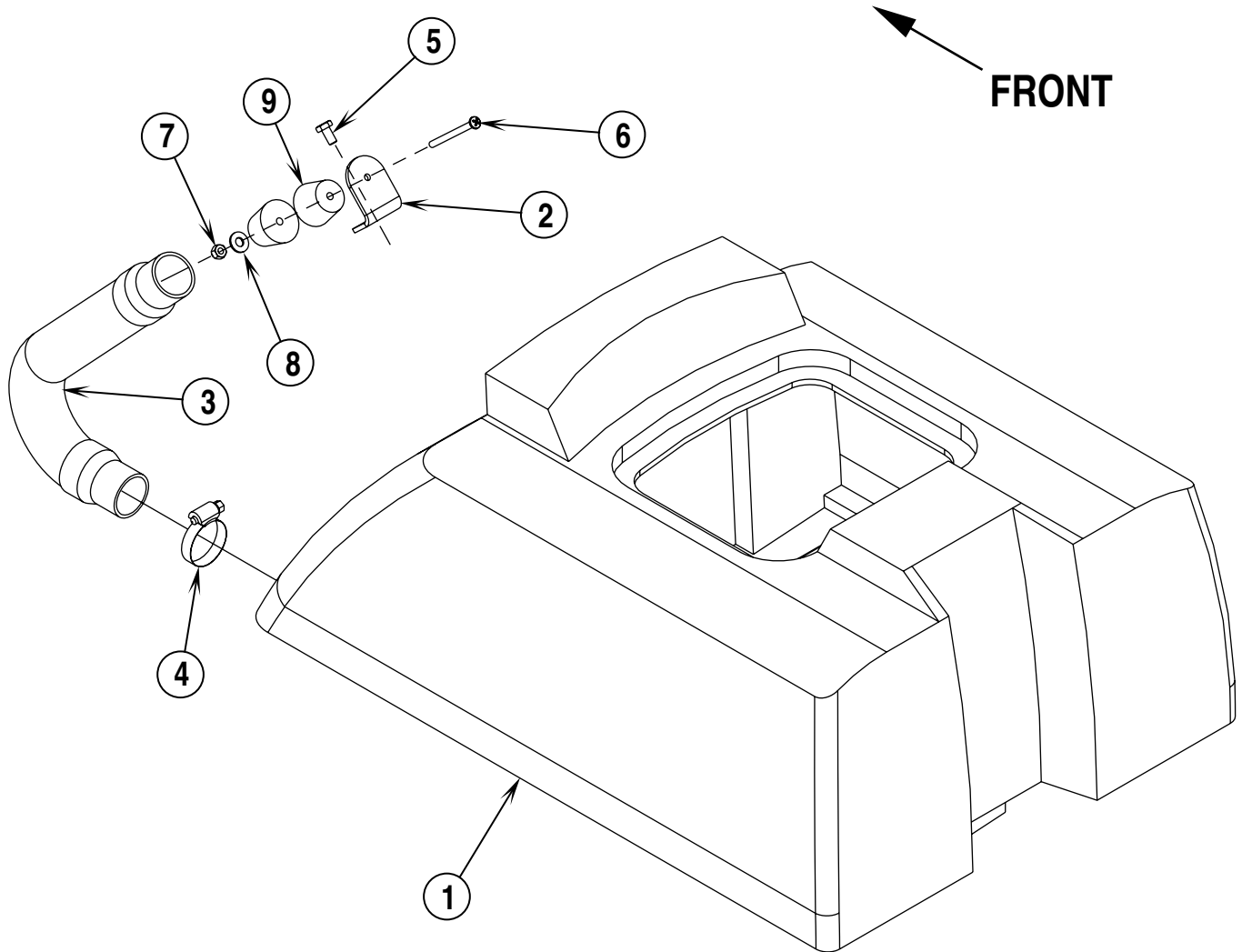


Item	Ref. No.	Qty	Description
	56026016	1	Vac Motor Assy (#1-8)
1	56009030	1	Scr, Pan Phil Thd Form 10-24 x .38
2			Intentionally Omitted
3	56009289	2	Nut, Clamp
4	56001833	3	Scr, Hex Hd 1/4-20 x 1.50
5	56046309	3	Spacer, Phenolic
6	56056581	1	Bracket, Vac Motor
7	56002708	3	Nut, Hex Nyl Loc 1/4-20
8	56262536	1	Motor, Vacuum 115V
	56035151	1	Brush Assy (#9-16)
9	56003253	2	Ring, Ret Ext
10	56003558	2	Scr, Flt Phil SS 10-24 x .50
11	56027197	3	Bearing, Ball
12	56054730	1	Seal, Grease
13	56055588	1	Spacer, Seal
14	56056555	1	Axle, Brush
15	56056558	1	Brush, Cylindrical
16	56056606	1	Pulley, Grooved
	56035192	1	Vac Chamber Assy (#17-23)
17	56035191	1	Vac Chamber Lift Bracket
18	56056661	1	Casting, Vac Chamber
19	56003067	4	Scr, Pan Phil SS 1/4-20 x 1.00
20	56002491	4	Nut, Hex Nyl Loc SS 1/4-20
21	56002769	1	Nut, Hex Nyl Loc 3/8-16
22	56056444	1	Stud, Cont Thd 3/8-16 x 5.00
23	56009085	2	Nut, Hex Jam 3/8-16
	56035350	1	Extractor Assy (#24-32)
24	56057891	1	Tube, Solution
25	56054146	1	Hose x 20"
26	56756364	1	Clamp, Hose SAE #4
27	56009247	2	Scr, Pan Phil Plastite 10-14 x .38
28	56104229	1	Barb, 3/8 x 1/8 Brass
29	56056098	4	Nozzle, Spray 110 Deg.
30	56002256	2	Scr, Hex Type 1 3/8-16 x 1.00
31	56009011	2	Wsh, Int SHPRF #10
32	56035351	1	Weld't, Extractor Head

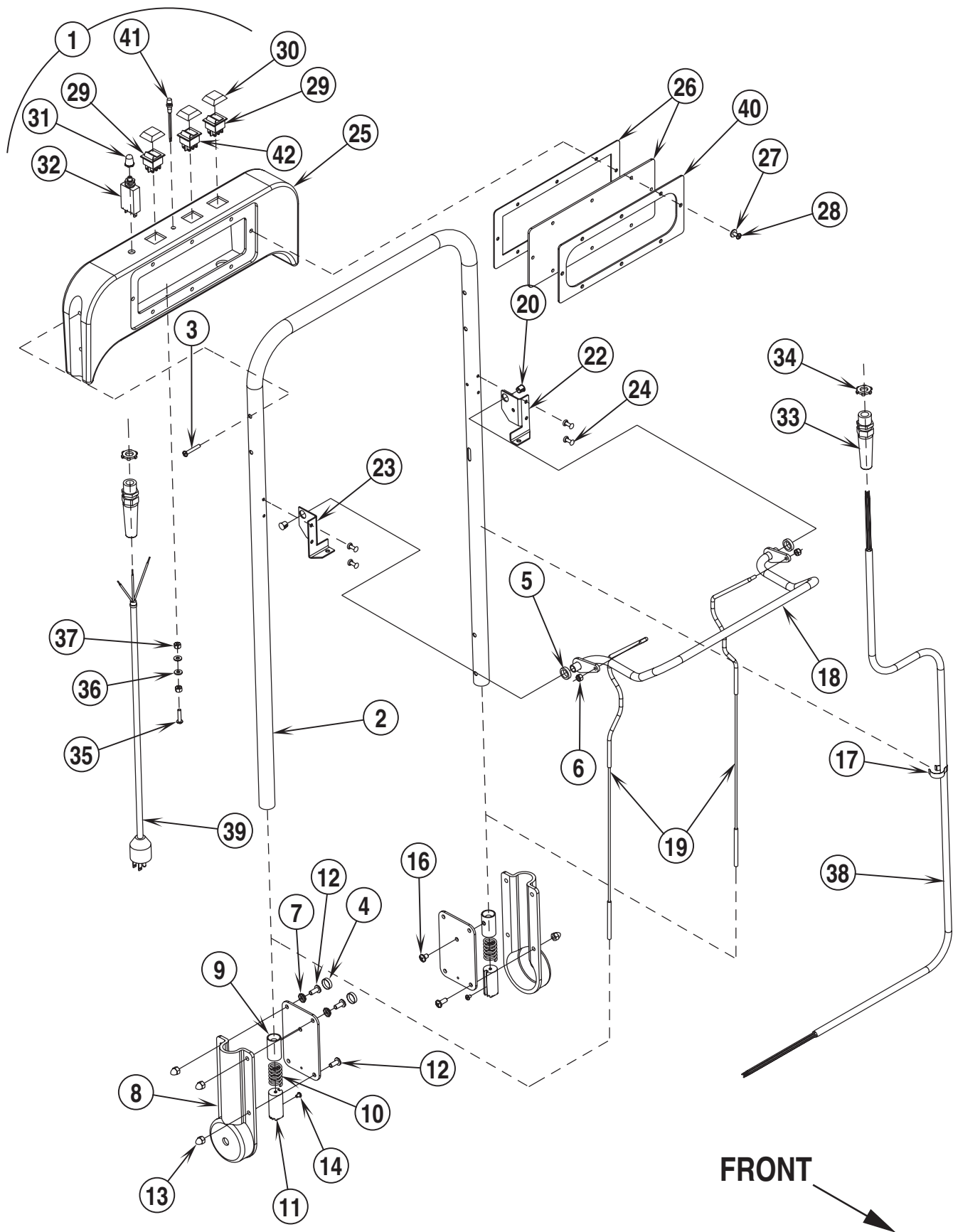


99-11	SOLUTION TANK ASSEMBLY		
01-5	DuraTrac™ 19		11

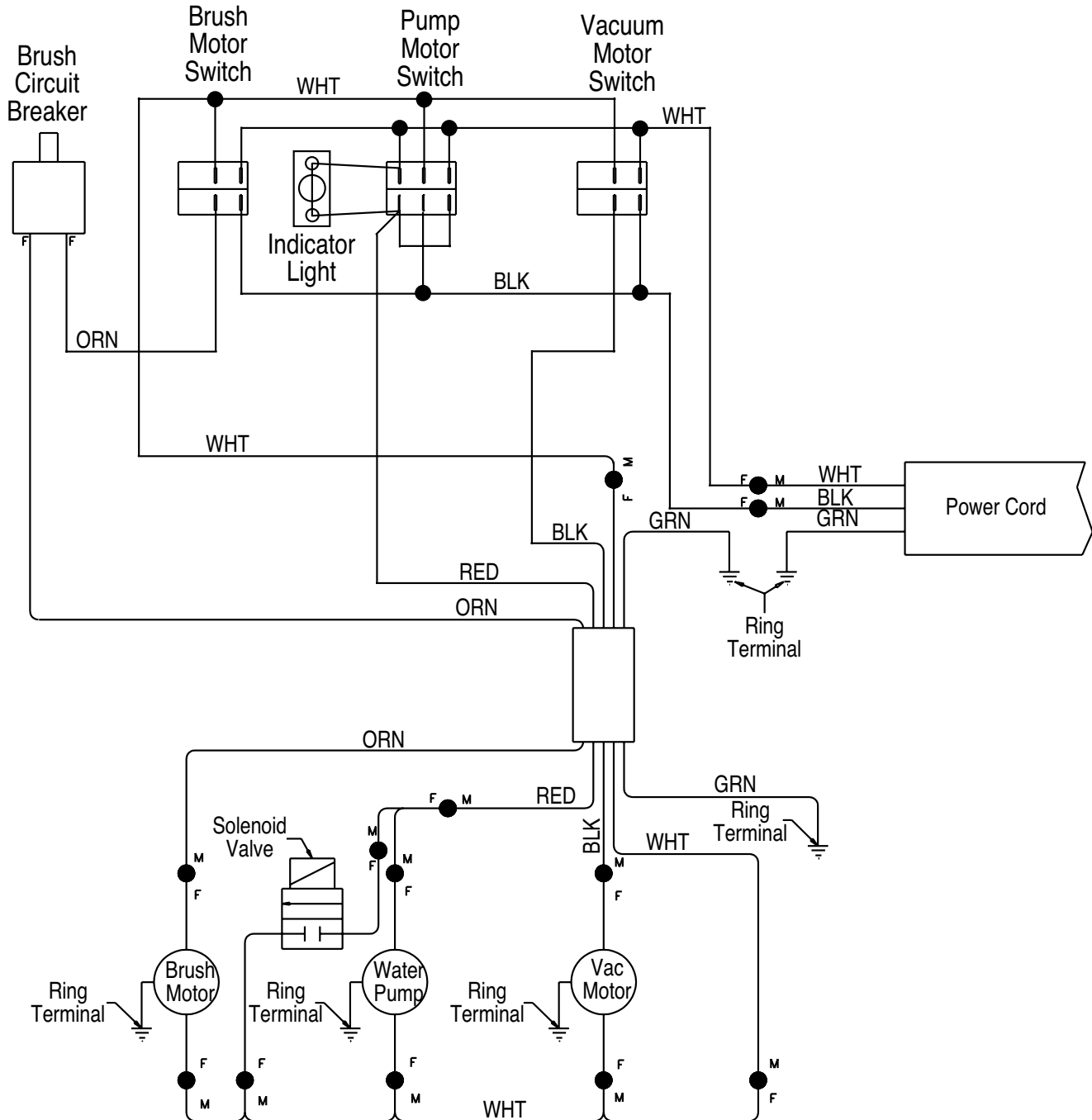
Item	Ref. No.	Qty	Description
1	56057068	1	Tank, Solution
2	56054583	1	Expansion Plug
3	56057080	1	Lid, Solution
4	56057209	1	Strainer
5	56118117	1	Barb 1/2 x 1/2 Brass
6	56003056	1	Scr, Flt Phil SS 10-24 x .50
7	56002836	1	Nut, Hex Nyl Loc SS 10-24
8	56009247	2	Scr, Pan phil Plastite 10-14 x .38
9	56057649	1	Bracket, SS
10	56056819	1	Wire Rope
11	56009018	2	Scr, Hex Thd Form 1/4-20 x .75
12	56051207	1	Adapter, 1/2MPT x 3/8HS



Item	Ref. No.	Qty	Description
1	56056436	1	Tank, Recovery
2	56057055	1	Bracket, Aluminum
3	56056533	1	Hose, Vinyl
4	56131601	1	Clamp, Hose SAE #16
5	56003039	1	Scr, Hex Loc 1/4-20 x .50
6	56003554	1	Scr, Pan Phil SS 10-24 x 2.50
7	56002836	1	Nut, Hex Nyl Loc 10-24
8	56002859	1	Wsh, Flt SAE SS 1/4
9	56056456	2	Stopper, Bottle



Item	Ref. No.	Qty	Description
1	56035147	1	Control Panel Assy (#25-42)
2	56639528	1	Weld't, Handle
3	56003560	4	Scr, Pan Phil 10-32 x 1.25
4	56323262	4	Cover, Screw
5	56056537	2	Nylon Washers
6	56002873	2	Nut, Hex Nyl Loc 10-32
7	56323261	4	Base, Screw
8	56057052	2	Pivot Casting
9	56056599	2	Locking Spacers
10	56056519	2	Spring
11	56056614	2	Latching Pin
12	56002066	8	Scr, Pan Phil 1/4-20 x .62
13	56002052	8	Acorn Nut, 1/4-20
14	56003188	2	Scr, Pan Phil SS 8-32 x .25
15			Intentionally Omitted
16	56002478	2	Scr, Mach Rd Hd SS 1/4-20 x .38
17	56056612	1	Spring Clip
18	56639530	1	Weld't, Lever
19	56057051	2	Cable
20	56493149	2	Plug, Cap
21			Intentionally Omitted
22	56057053	1	Plate, STL-RH
23	56057054	1	Plate, STL-LH
24	56003548	6	.188 Pop Rivets
25	56056538	1	Control Panel
26	56035146	1	Assy, Gasket & Cover
	56056548	1	Cover
	56056547	1	Gasket
27	56001954	8	Wsh, Flt SAE #10
28	56002147	8	Scr, Pan Phil 10-32 x .50
29	56027142	2	Switch, DPST
30	56056544	3	Rubber Boot
31	56056546	1	Rubber Boot
32	56387316	1	10 Amp Circuit Breaker
33	56027003	2	Strain Relief
34	56009095	2	Nut, Conduit Lock
35	56002996	1	Scr, Pan Phil 10-32 x .88
36	56009011	2	Wsh, Int SHPRF #10
37	56001987	2	Nut, Hex Machine 10-32
38	56026012	1	16/5 Cord
39	56026010	1	14/3 Power Cord
40	56056759	1	Stl Plate
41	56027158	1	Light, Green 120V
42	56027107	1	Switch, DPDT



99-11	WIRING DIAGRAM			
01-5	DuraTrac™ 19			17

Ref. No.	Qty	Description
56387316	1	Brush Circuit Breaker, 10A
56027142	1	Brush Motor Switch, DPST
56027158	1	Light, Green 120V
56027107	1	Pump Motor Switch, DPDT
56027142	1	Vac Motor Switch, DPST
56025999	1	Brush Motor
56026017	1	Solenoid Valve
56035162	1	Water Pump
56262536	1	Vacuum Motor

KENT

14600 21st Avenue North
Plymouth, MN, 55447-3408
www.kenturoclean.com
Phone: 800-334-1083
Fax: 866-261-4779
©2005 Printed in the U.S.A.