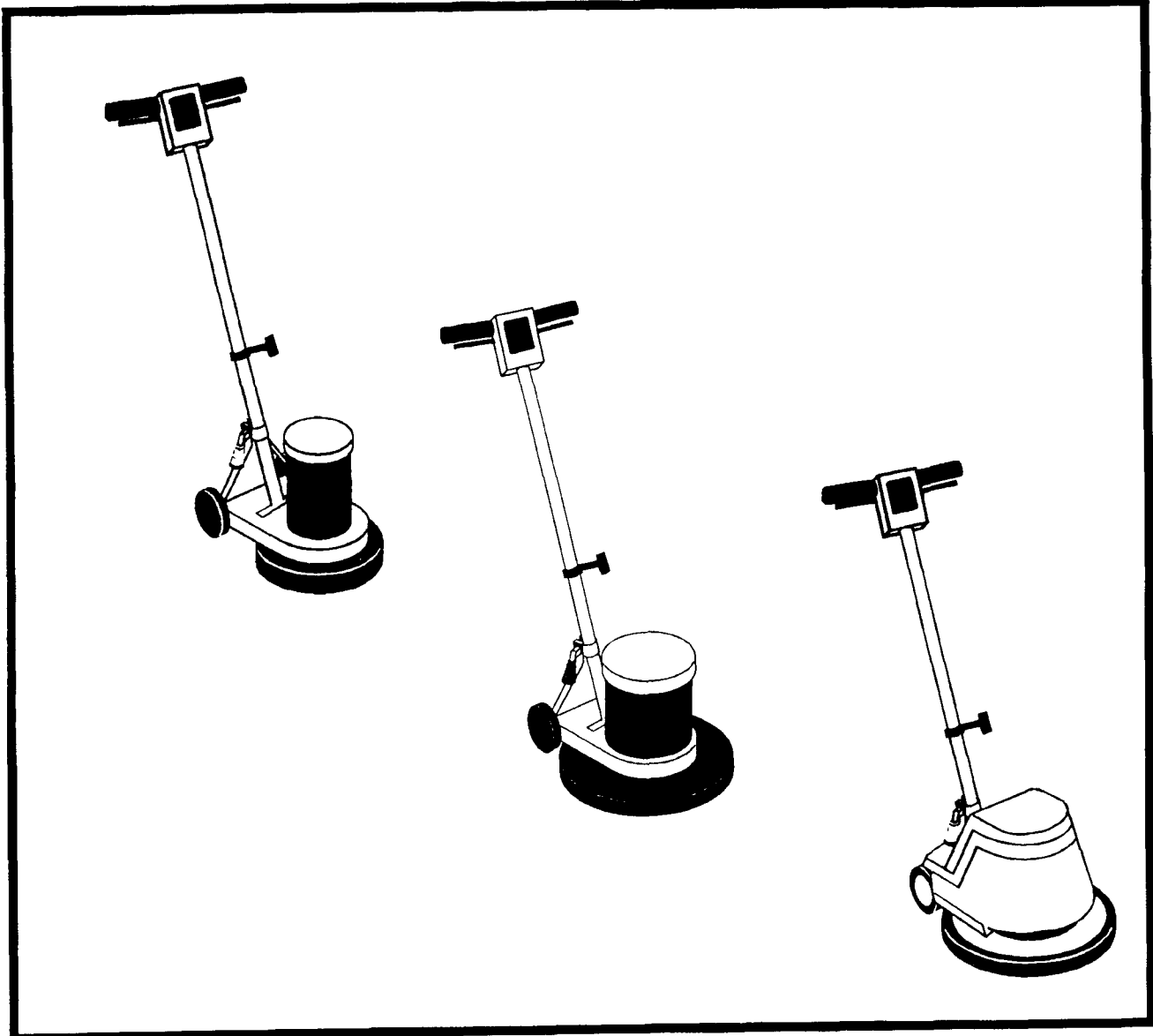




**KENT**

# PARTS

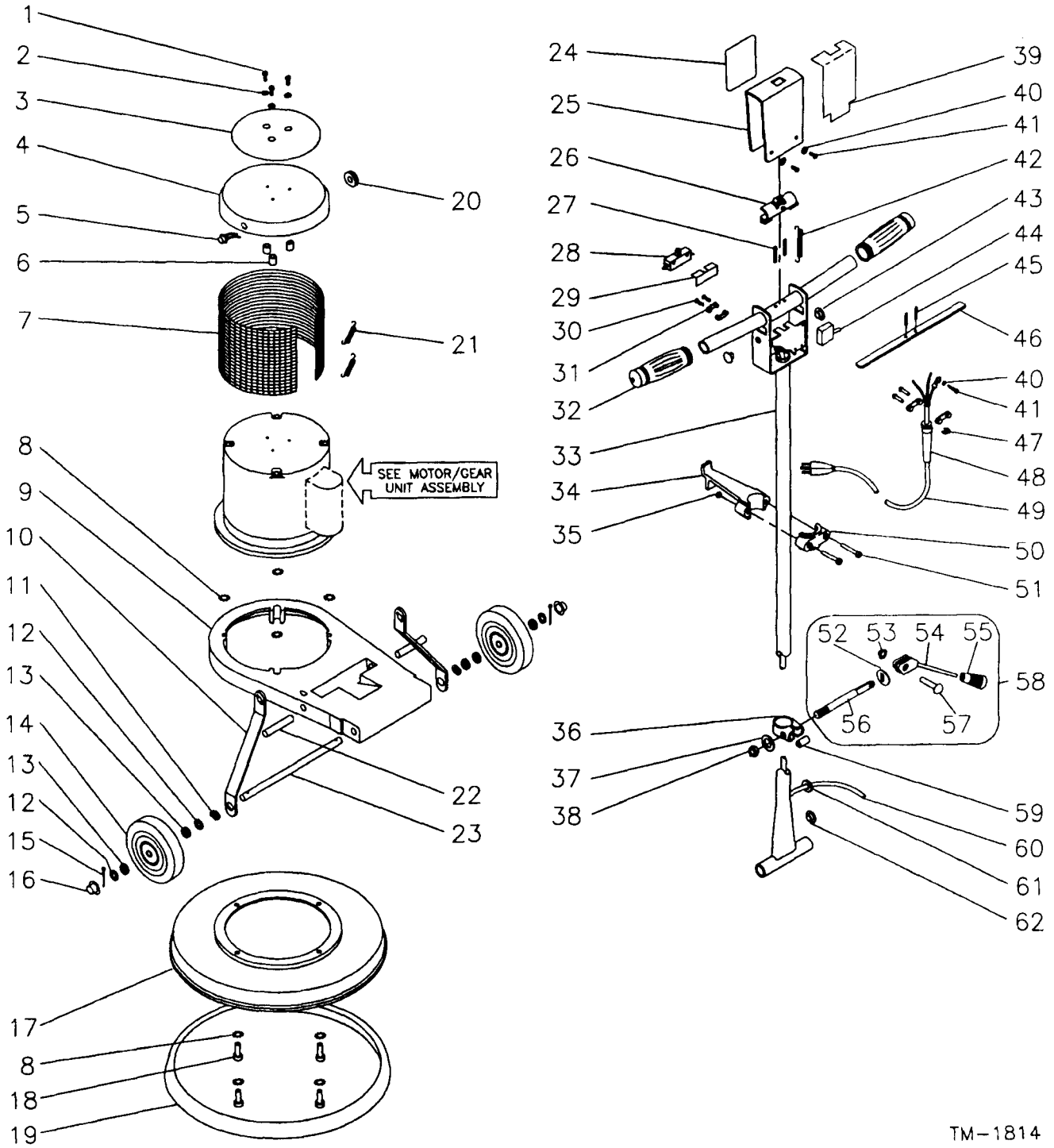


**KF-13SL**  
**KF-17SL**  
**KF-17SL2**  
**KF-20SL**  
**KF-20SL2**

**KF-17DL**  
**KF-20DL**  
**KF-20HD**

Spare Parts List

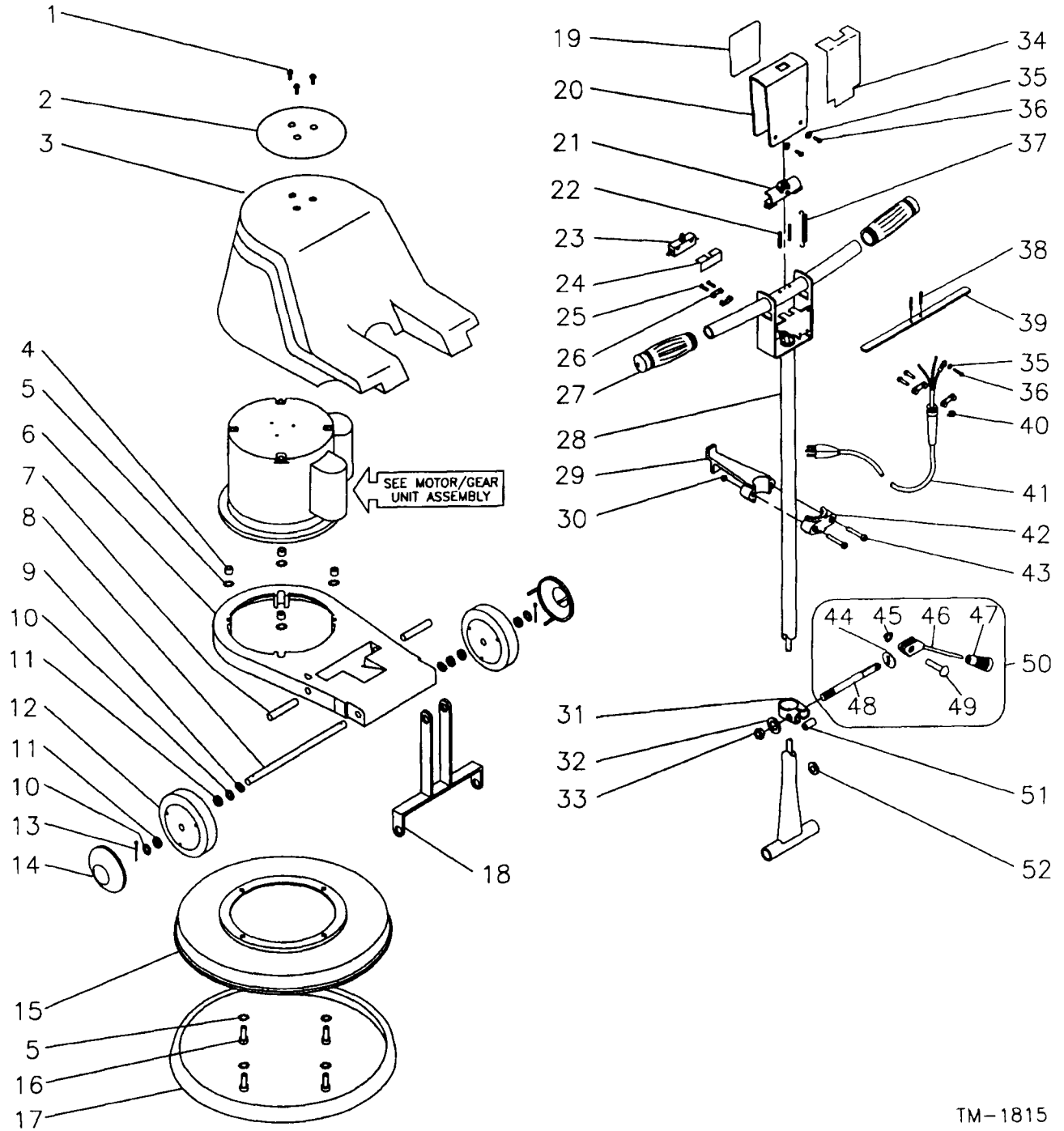
# SL MACHINE ASSEMBLY AND PARTS LIST



DET.	13SL	17SL	20SL	17SL2	20SL2	DESCRIPTION	QT'Y	DET.
1	005316	001369	001369	002329	002329	SCR TPG F PAN HD	3	1
2	004253	004253	004253	004253	004253	WSHR LK 204ID 410OD 025T EXT	3	2
3	057717-1	057717-2	057717-3	057717-4	057717-5	LABEL,FM MTR CVR—13SL	1	3
4	096911-23	097049-23	097049-23	056404	056404	DRIP CVR—MTR,RYL BLU	1	4
5	-----	-----	-----	026476	026476	INDICATOR LIGHT—RED,115V	1	5
6	-----	050872	050872	052238	052238	SPACER,PHEN—	3	6
7	057737	057638-1	057638-1	057706	057706	SCREEN, AC MTR—PRFD	1	7
8	004444	004444	004444	004444	004444	WSHR LK 332ID 610OD 034T EXT	8	8
9	097318-23	097318-23	097318-23	097318-23	097318-23	FRAME,FM STD SPD—ROYAL BLUE	1	9
10	046598-23	046598-23	046598-23	046598-23	046598-23	CONNECTING LEG—RYL BLU	2	10
11	005449	005449	005449	005449	005449	WSHR SPR TNSN 531ID 880OD 030	2	11
12	005227	005227	005227	005227	005227	WSHR FLT 531ID 875OD 036T STL	4	12
13	004230	004230	004230	004230	004230	WSHR FLT 515ID 750OD 031T FBR	4	13
14	048058	048058	048058	048058	048058	WHEEL—5 00DIA, 504BORE,1 12HB	2	14
15	005383	005383	005383	005383	005383	PIN,COTTER— 094X1 000 LONG	2	15
16	E48939	E48939	E48939	E48939	E48939	NUT,PUSH— 500,WASHER CAP,ZN P	2	16
17	096748-24	096750-24	096751-24	096750-24	096751-24	COVER,BRUSH—CHOC GRAY	1	17
18	003213	003213	003213	003213	003213	SCR CAP SOC HD 312-18X1 75L	4	18
19	057224	053729	053331	053729	053331	BUMPER,FM—VINYL,BLK	1	19
20	-----	-----	-----	055868	055868	GROM— 687ID, 812MHD, 062PA	1	20
21	-----	-----	-----	E45503	E45503	SPRING,EXT 257D 1 25L 035WD	2	21
22	046542	046542	046542	046542	046542	PIN,ROLL— 500 DIA,2 750L	2	22
23	048067	048067	048067	048067	048067	SHAFT-AXLE	1	23
24	057716-3	057716-3	057716-3	057716-4	057716-4	LABEL,FM CNTRL BOX	1	24
25	035110	035110	035110	035110	035110	COVER,CNTRL BOX,ROYAL BLUE	1	25
26	050588	050588	050588	050588	050588	LOCK-OFF SWITCH	1	26
27	005467	005467	005467	005467	005467	PIN,ROLL— 125 DIA,1 750L	2	27
28	026903	026903	026903	026903	026903	SWITCH,PUSH—SPST,25A,125/250V	1	28
29	055804	055804	055804	055804	055804	INSULATION PAPER—2 0X2 5	1	29
30	002439	002439	002439	002439	002439	SCR TPG F PAN HD 10-24X1 00L	4	30
31	055788-1	055788-1	055788-1	055788-1	055788-1	CLAMP,CABLE—PLASTIC	4	31
32	047418	047418	047418	047418	047418	HANDLE-GRIP,BLK	2	32
33	034895	034895	034895	034896	034896	WDMT,HNDL—	1	33
34	048571	048571	048571	048571	048571	CORD HOOK—BODY	1	34
35	003349	003349	003349	003349	003349	NUT,HEX— 312-18,ZN PLT	2	35
36	046595	046595	046595	046595	046595	CLAMP HANDLE LOCK	1	36
37	004384	004384	004384	004384	004384	WSHR FLT 406ID 875OD 064T STL	1	37
38	005279	005279	005279	005279	005279	NUT,HEX LOCK— 375-16,NYLOC	1	38
39	057721	057721	057721	057721	057721	LABEL,FM CNTRL—WARNING	1	39
40	004253	004253	004253	004253	004253	WSHR LK 204ID 410OD 025T EXT	2	40
41	005316	005316	005316	005316	005316	SCR TPG F PAN HD 10-24X 375L	2	41
42	048785	048785	048785	048785	048785	SPRING,EXT 250D 2 00L 026WD	1	42
43	-----	-----	-----	056110	056110	PLUG,BUTTON— 50MHD, 125THK	2	43
44	-----	-----	-----	026973	026973	SWITCH,TOGGLE—SPST,10A,250VAC	1	44
45	046648	046648	046648	046648	046648	SPRING,COMP 344D 687L 032WD	2	45
46	056089	056089	056089	056089	056089	BAR,STL—TRIGGER,11 00",BLACK	1	46
47	006108	-----	-----	-----	-----	NUT,SPECIAL— 500 PIPE,HEX LOC	1	47
47	-----	004553	004553	004553	004553	RING,RTNG—EXT, 813 SHFT,"C"	1	47
48	027003	-----	-----	-----	-----	BSHG,STRAIN RLF— 17- 47,BLK	1	48
49	025394	025077	025077	025077	025077	CORD,POWER	1	49
50	048572	048572	048572	048572	048572	CORD HOOK—CAP	1	50
51	005515	005515	005515	005515	005515	SCR MACH FIL HD 312-18X1 75L	2	51
52	046607	046607	046607	046607	046607	WSHR SLTD 227X 656,1 00OD 18	1	52
53	E48004	E48004	E48004	E48004	E48004	NUT,PUSH-ON—	1	53
54	057666	057666	057666	057666	057666	HANDLE,LOCKING—11GA,FORMED	1	54
55	057675	057675	057675	057675	057675	GRIP,HANDLE— 50NOM,BLK,TAPRD	1	55
56	046597	046597	046597	046597	046597	CLAMP STUD	1	56
57	005634	005634	005634	005634	005634	RIVET,SOLID—RD HD, 312X0 625L	1	57
58	032656	032656	032656	032656	032656	ASM,LOCK—CAM	1	58
59	046606	046606	046606	046606	046606	SPACER,RBR— 325X 656,2 000L	1	59
60	-----	-----	-----	025997	025997	CORD,IN-HANDLE—14-4,TWO-SPEED	1	60
61	055868	055868	055868	055868	055868	GROM— 687ID, 812MHD, 062PA	1	61
62	-----	-----	-----	056092	056092	PLUG,BUTTON— 50 MHD, 074 THK	1	62
DET.	13SL	17SL	20SL	17SL2	20SL2	DESCRIPTION	QT'Y	DET.

----- = NOT USED

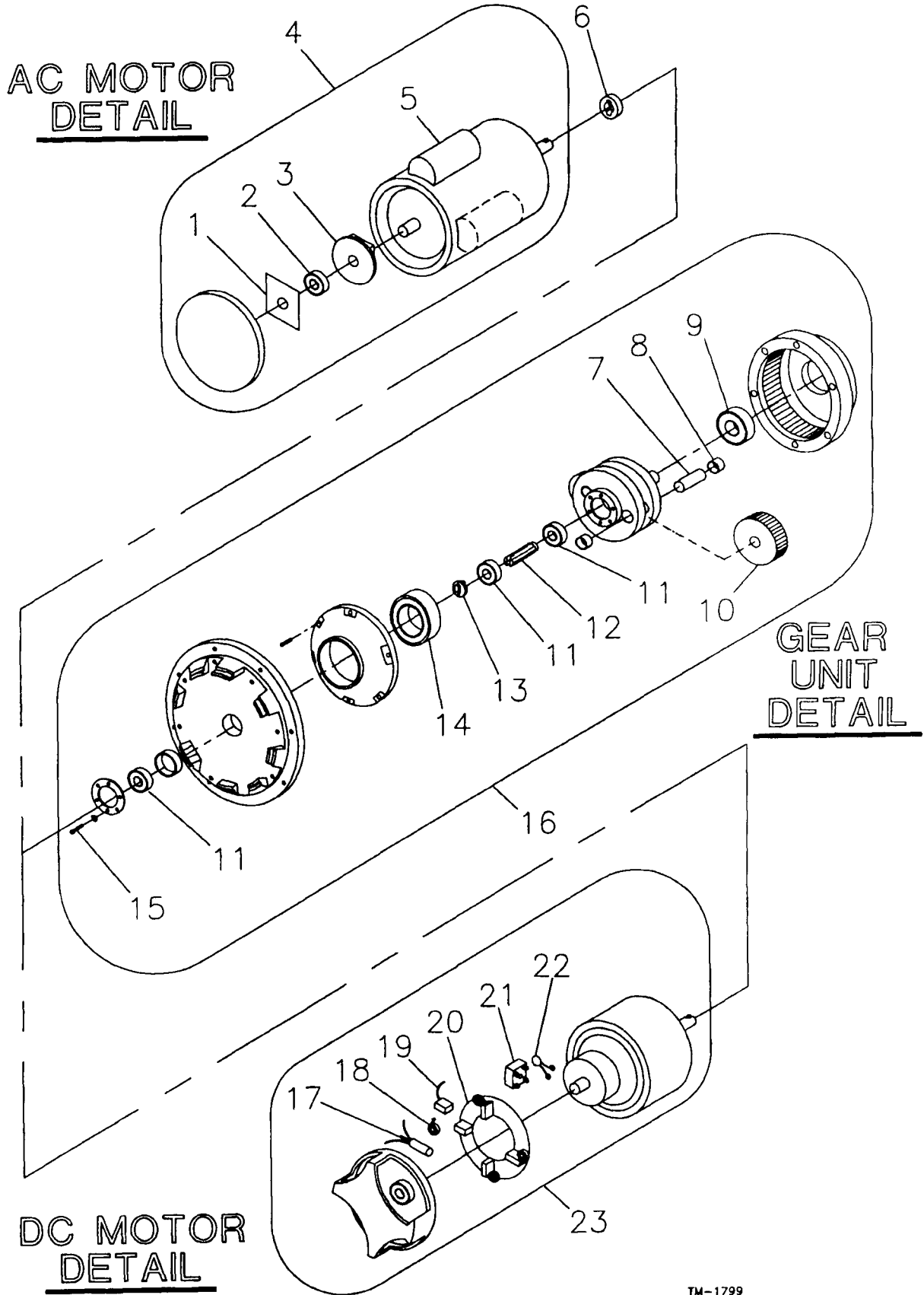
# DL MACHINE ASSEMBLY AND PARTS LIST



TM-1815

DET.	17DL	20DL	20HD	DESCRIPTION	QT'Y.	DET.
1	001304	001304	001304	SCR MACH FLAT HD 10-32X 500L	3	1
2	057717-7	057717-8	057717-9	LABEL,FM MTR CVR—17DL	1	2
3	052207-23	052207-23	052207-23	COVER,MTR—FM,8 OH,MACH,RYLBL	1	3
4	052224	052224	052224	SPACER,STL—315X 500D, 13L	4	4
5	004444	004444	004444	WSHR LK 332ID 610OD 034T EXT	8	5
6	097318-23	097318-23	097318-23	FRAME,FM STD SPD—ROYAL BLUE	1	6
7	046542	046542	046542	PIN,ROLL—500 DIA,2 750L	2	7
8	048067	048067	048067	SHAFT-AXLE	1	8
9	005449	005449	005449	WSHR SPR TNSN 531ID 880OD 030	2	9
10	005227	005227	005227	WSHR FLT 531ID 875OD 036T STL	4	10
11	004230	004230	004230	WSHR FLT 515ID 750OD 031T FBR	4	11
12	052213	052213	052213	WHEEL—RS 48058 W/3 HOLES,5"	2	12
13	005383	005383	005383	PIN,COTTER—094X1 000 LONG	2	13
14	052204-1	052204-1	052204-1	CAP,HUB—PLSTC,GRAY,3 19BC	2	14
15	046322	046323	057102	COVER, BRUSH	1	15
16	003213	003213	003213	SCR CAP SOC HD 312-18X1 75L	4	16
17	053729	053331	053331	BUMPER,FM—VINYL,BLK	1	17
18	035582-23	035582-23	035582-23	WDMT,FM HNDL BRACE—ROYAL BLUE	1	18
19	057716-1	057716-1	057716-1	LABEL,FM CNTRL BOX	1	19
20	035110	035110	035110	COVER,CNTRL BOX,ROYAL BLUE	1	20
21	050588	050588	050588	LOCK-OFF SWITCH	1	21
22	005467	005467	005467	PIN,ROLL—125 DIA,1 750L	2	22
23	026903	026903	026903	SWITCH,PUSH—SPST,25A,125/250V	1	23
24	055804	055804	055804	INSULATION PAPER—2 0X2 5	1	24
25	002439	002439	002439	SCR TPG F PAN HD 10-24X1 00L	4	25
26	055788-1	055788-1	055788-1	CLAMP,CABLE—PLASTIC	4	26
27	047418	047418	047418	HANDLE-GRIP,BLK	2	27
28	034895	034895	034895	WDMT,HNDL—LARGE SW BOX	1	28
29	048571	048571	048571	CORD HOOK—BODY	1	29
30	003349	003349	003349	NUT,HEX—312-18,ZN PLT	2	30
31	046595	046595	046595	CLAMP HANDLE LOCK	1	31
32	004384	004384	004384	WSHR FLT 406ID 875OD 064T STL	1	32
33	005279	005279	005279	NUT,HEX LOCK—375-16,NYLOC	1	33
34	057721	057721	057721	LABEL,FM CNTRL—WARNING	1	34
35	004253	004253	004253	WSHR LK 204ID 410OD 025T EXT	2	35
36	005316	005316	005316	SCR TPG F PAN HD 10-24X 375L	2	36
37	048785	048785	048785	SPRING,EXT 250D 2 00L 026WD	1	37
38	046648	046648	046648	SPRING,COMP 344D 687L 032WD	2	38
39	056089	056089	056089	BAR,STL—TRIGGER,11 00",BLACK	1	39
40	004553	004553	004553	RING,RTNG—EXT, 813 SHFT,"C"	1	40
41	025077	025077	025077	CORD,POWER—ST,14-3,GRAY,50'	1	41
42	048572	048572	048572	CORD HOOK—CAP	1	42
43	005515	005515	005515	SCR MACH FIL HD 312-18X1 75L	2	43
44	046607	046607	046607	WSHR SLTD 227X 656,1 00OD 18	1	44
45	E48004	E48004	E48004	NUT,PUSH-ON—	1	45
46	057666	057666	057666	HANDLE,LOCKING—11GA,FORMED	1	46
47	057675	057675	057675	GRIP,HANDLE—50NOM,BLK,TAPRD	1	47
48	046597	046597	046597	CLAMP STUD	1	48
49	005634	005634	005634	RIVET,SOLID—RD HD, 312X0 625L	1	49
50	032656	032656	032656	ASM,LOCK—CAM	1	50
51	046606	046606	046606	SPACER,RBR—325X 656,2 000L	1	51
52	055868	055868	055868	GROM—687ID, 812MHD, 062PA	1	52
DET.	17DL	20DL	20HD	DESCRIPTION	QT'Y.	DET.

# MOTOR / GEAR UNIT ASSEMBLY AND PARTS LIST



TM-1799

DET.	13SL	17SL	20SL	17SL2	20SL2	DESCRIPTION	QT'Y	DET.
1	026933	026933	026933	-----	-----	SWITCH,STAT--P/N 904582	1	1
2	027177	027177	027177	-----	-----	BRG,BALL-- 669ID,1 575OD, 472W	1	2
3	026932	026932	026932	-----	-----	SWITCH,CENT--2 25ODX 81 ID	1	3
4	026115	-----	-----	-----	-----	MTR,AC--115/230,60, 50HP,	1	4
4	-----	024450	024450	-----	-----	MTR,AC--115V,60H,1 0HP	1	4
5	028812	-----	-----	-----	-----	CAPACITOR-375MFD,STRT,2 0X3 38	1	5
5	-----	024207	024207	-----	-----	CAPACITOR-704MFD,STRT,2 0X3 38	1	5
6	057097	057097	057097	057097	057097	RING--COUPLING SUPPORT	1	6
7	024137	-----	-----	-----	-----	SHAFT-IDLER	1	7
7	-----	024137	024137	-----	-----	SHAFT-IDLER	2	7
7	-----	-----	-----	024137	024137	SHAFT-IDLER	3	7
8	027211	-----	-----	-----	-----	NEEDLE BEARING	2	8
8	-----	027211	027211	-----	-----	NEEDLE BEARING	4	8
8	-----	-----	-----	027211	027211	NEEDLE BEARING	6	8
9	027212	027212	027212	027212	027212	BRG,BALL-- 787ID,1 850OD, 551W	1	9
10	024136	-----	-----	-----	-----	IDLER GEAR	1	10
10	-----	024136	024136	-----	-----	IDLER GEAR	2	10
10	-----	-----	-----	024136	024136	IDLER GEAR	3	10
11	027213	027213	027213	027213	027213	BRG,BALL-- 591ID,1 263OD, 354W	3	11
12	038696	038696	038696	-----	-----	PINION--10 1 RATIO	1	11
12	-----	-----	-----	038737	038737	PINION--11 1 RATIO	1	12
13	023994	023994	023994	023994	023994	COUPLING--PLASTIC	1	13
14	027210	027210	027210	027210	027210	BRG,BALL--1 97ID,3 150OD, 630W	1	14
15	002506	002506	002506	002506	002506	SCR CAP SOC HD 10-32X1 00L	6	15
16	035411	-----	-----	-----	-----	ASM,GEAR UNIT--10 1,1 IDLR	1	16
16	-----	035093	035093	-----	-----	ASM,GEAR UNIT--10 1,2 IDLR	1	16
16	-----	-----	-----	*-----	*-----	ASM,GEAR UNIT--11 1,3 IDLR	1	16
17	-----	-----	-----	039285	039285	SPEED CONTROL--TRIAC,115VOLT	1	17
18	-----	-----	-----	039282	039282	SPRING--BRUSH MECHANISM	4	18
19	-----	-----	-----	039281	039281	BRUSH,MTR--1 5HP,DC	4	19
20	-----	-----	-----	039280	039280	BRUSH BOARD & RING ASM--1 5HP,DC	1	20
21	-----	-----	-----	039283	039283	BRIDGE RECTIFIER--115 VAC	1	21
22	-----	-----	-----	039284	039284	CAPACITOR (VARISTOR)--115VAC	1	22
23	-----	-----	-----	023416	023416	MTR,GRC--115/60,1 50HP,11 1 SL	1	23

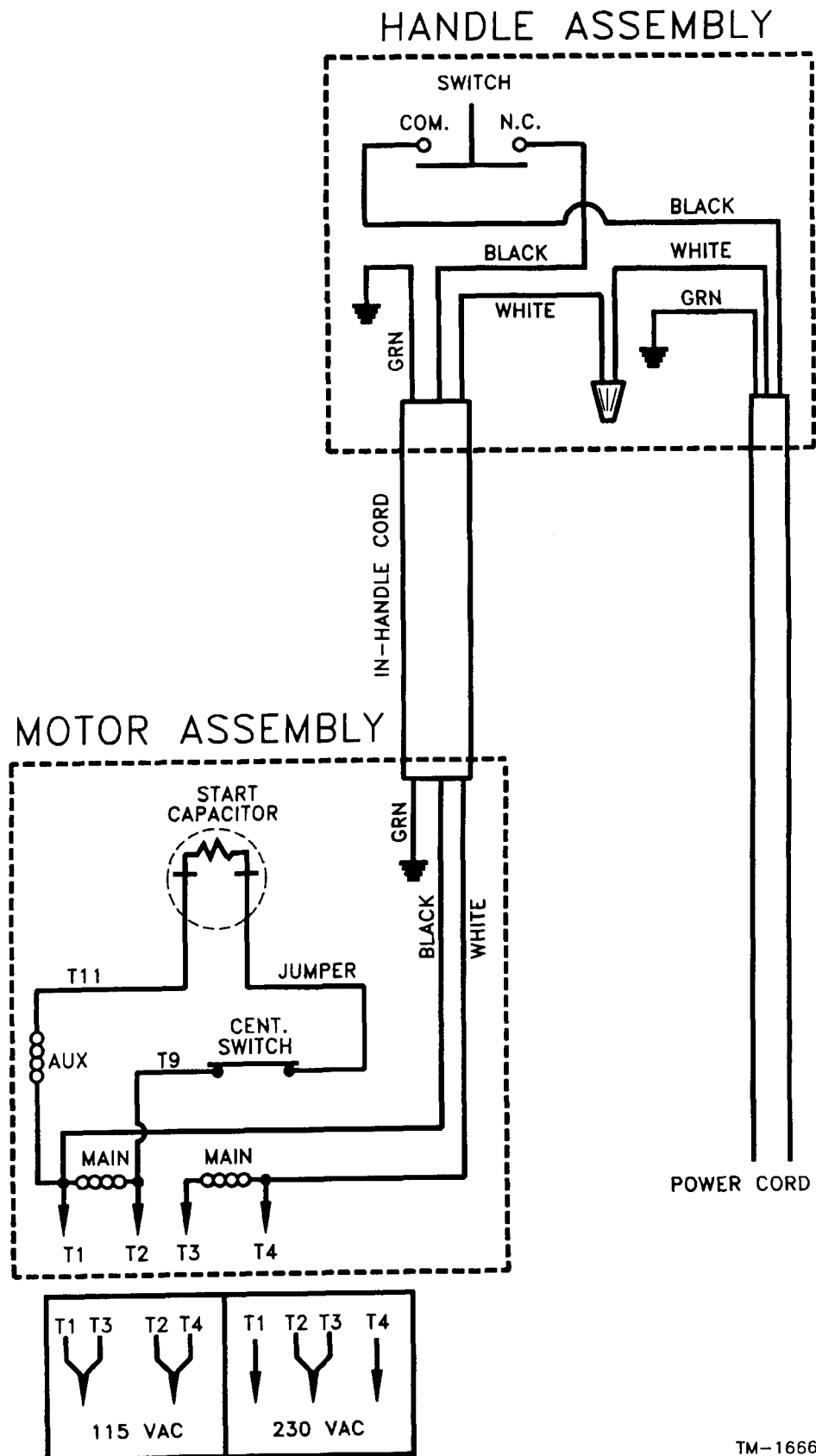
\* ITEM INCLUDED WITH ITEM 23  
TM-1799C,D,E

DET.	17DL	20DL	20HD	DESCRIPTION	QT'Y.	DET.
1	026933	026933	026933	SWITCH,STAT--P/N 904582	1	1
2	027177	027177	027177	BRG,BALL-- 669ID,1 575OD, 472W	1	2
3	026932	026932	026932	SWITCH,CENT--2 25ODX 81 ID	1	3
4	024315	024315	024315	MTR,AC--115VAC,1 5HP,2CAP	1	4
5	028809	028809	028809	CAPACITOR-534MFD,STRT,2 0X3 38	1	5
5	024293	024293	024293	CAPACITOR-50MFD,RUN,2 0X3 38	1	5
6	057097	057097	057097	RING--COUPLING SUPPORT	1	6
7	024137	024137	-----	SHAFT-IDLER	2	7
7	-----	-----	024137	SHAFT-IDLER	3	7
8	027211	027211	-----	NEEDLE BEARING	4	8
8	-----	-----	027211	NEEDLE BEARING	6	8
9	027212	027212	027212	BRG,BALL-- 787ID,1 850OD, 551W	1	9
10	024136	024136	-----	IDLER GEAR	2	10
10	-----	-----	024136	IDLER GEAR	3	10
11	027213	027213	027213	BRG,BALL-- 591ID,1 263OD, 354W	3	11
12	038696	038696	-----	PINION--10 1 RATIO	1	12
12	-----	-----	038737	PINION--11 1 RATIO	1	12
13	023994	023994	-----	COUPLING--PLASTIC	1	13
13	-----	-----	057091	COUPLING--METAL	1	13
14	027210	027210	027210	BRG,BALL--1 97ID,3 150OD, 630W	1	14
15	002506	002506	002506	SCR CAP SOC HD 10-32X1 00L	6	15
16	035093	035093	-----	ASM,GEAR UNIT--10 1,2 IDLR	1	16
16	-----	-----	039369	ASM,GEAR UNIT--11 1,3 IDLR	1	16

TM-1799F,G

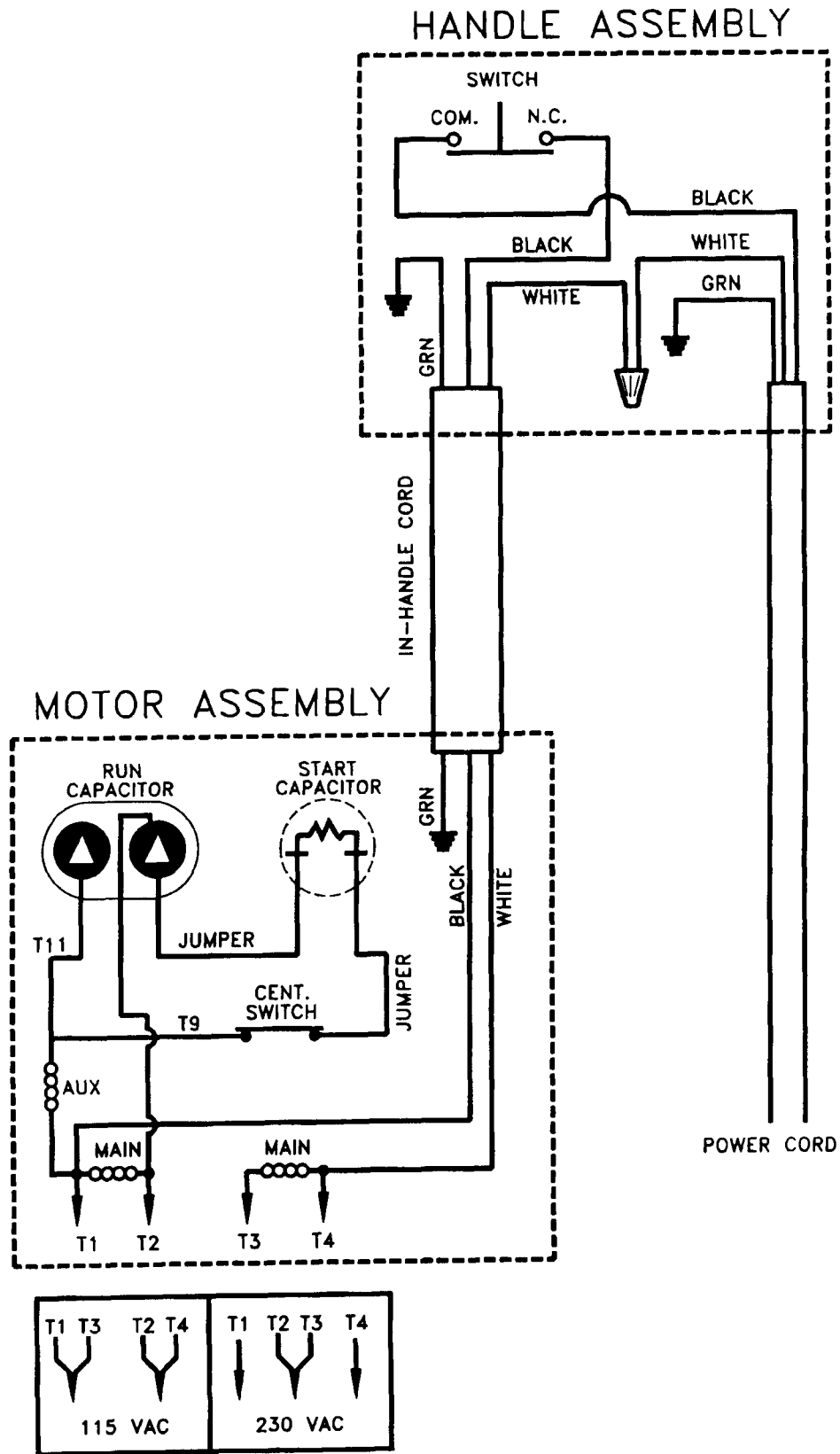
----- = NOT USED

# WIRING DIAGRAM - AC MOTOR (SINGLE CAPACITOR)



TM-1666

# WIRING DIAGRAM - AC MOTOR (DUAL CAPACITOR)



TM-1667



# THE KENT LIMITED WARRANTY

Your Kent equipment which has been manufactured, tested, and inspected in accordance with carefully specified engineering requirements, is warranted to be free from defects in material and workmanship. This warranty is, however, subject to the following qualifications, conditions, and limitations which are set forth to provide you and all users of the equipment with information concerning the duration, extent, availability, and applicability of the Kent limited warranty, the procedure to be taken to obtain its performance, and other information concerning the Kent warranty policy.

## **The Kent Limited Warranty is extended to the original end user as follows**

All Kent cord electric machines with the exception of upright and two motor upright vacuums have a three year warranty on parts, and one year labor coverage. Upright and two motor upright vacuums have a one year parts and labor warranty (except the Duravac 15 which has a two year parts one year labor warranty). Motor and gear unit assemblies on 175 RPM Floor Machines carry a warranty of five years. Poly components carry a ten year replacement warranty with one year service labor. This warranty will not cover damage attributable to the following:

- Improper, unreasonable or negligent use or abuse of the equipment
- Use of the equipment with hot water ( over 120 deg F , 49 deg C )
- "Warpage", "Creepage", or "Distortion" of the part so long as the same does not interfere with normal operation
- Abrasions or punctures of the equipment

The start date of the warranty coverage shall be the date the machine was shipped from the factory, or with proof of purchase, the purchase date of the original end user. The start date of the warranty shall not exceed one year from the ship date from the factory.

## **Parts of Kent Equipment not covered by the Kent Limited Warranty**

Certain parts of Kent Equipment require replacement in the ordinary course of use due to normal wear by reason of their characteristics. These are normal wear items such as cords, squeegee blades, belts, gaskets, bumpers, carbon brushes, filters, hoses, bags, padholders, brushes, etc.

## **Exceptions and Exclusions from Warranty**

This equipment is required to be used on electric current as indicated on the dataplate. Otherwise damage, defects, malfunctions or other failures of the equipment arising from the use on electric current not as indicated are excepted and excluded from this warranty. Defects, malfunctions, failure, or damage of the equipment caused by improper care, unreasonable or negligent use or abuse of the equipment are likewise excluded from this warranty. If repair is done to the equipment by anyone other than those designated as authorized to perform such work without having obtained factory authorization in writing, the Kent Company at its sole option, may determine that this warranty will not apply and that reimbursement for such repair will not be made because of the failure to comply with such factory instructions.

## **Procedure to be taken to obtain performance of warranty repair**

To secure repair of the equipment or any warranted parts under this warranty, the following procedure must be taken. The inoperative equipment or warranted parts together with satisfactory evidence of the purchase date, must be delivered, with shipping and delivery charges prepaid, to one of the following:

- The dealer from whom purchased
- Any Kent distributor's service department in the United States
- Any Kent authorized service station in the United States

If you are unable to locate any of the foregoing, you may write or otherwise communicate with The Kent Company for instructions before repair service is performed by anyone else. In such event, The Kent Company will provide either the location of a Kent authorized service department or other factory instructions. In the event that no local service department is available, Kent at its discretion will repair or replace the part or equipment at the factory, the products will be returned to the owner freight prepaid. No warranty will be honored without proof of purchase, the model number, and serial number if applicable.

## **Replacement**

In the event of a defect, malfunction, or failure of your Kent equipment or any warranted part to conform with this warranty, The Kent Company may, at its sole option and own expense, replace the equipment or any warranted part with another new identical or reasonably equivalent model or part in lieu of repairing the defect.

## **No refund of purchase price**

The Kent Company will not, as a matter of its warranty policy, refund the customer's purchase price.

## **Warranty registration**

Your Kent Company distributor from whom you purchased your equipment is responsible for the registration of your warranty with the factory. We ask that you cooperate with your distributor in supplying the necessary information on the warranty card so that we may better serve you. Any information or questions that you may have concerning your Kent equipment or this warranty may likewise be secured from the factory. This warranty gives you specific legal rights, and you may also have other rights which vary from state to state.



The Kent Company  
2310 Industrial Parkway  
P.O.Box 1665  
Elkhart, IN 46515, U.S.A.  
Telephone: (800) 334-1083  
(219) 293-8661  
Fax: (219) 295-8610

083474P-1 12-97 USK