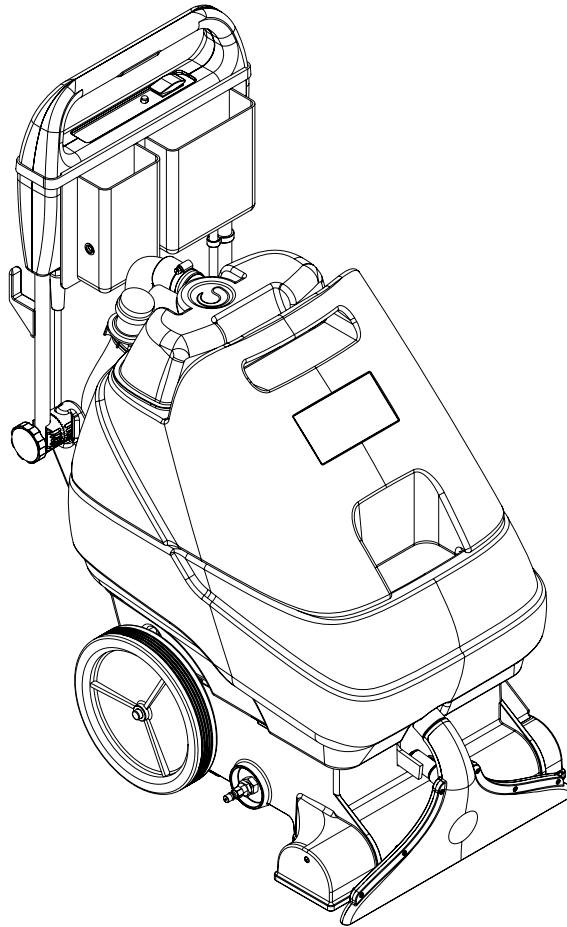


Klenzor™ 16

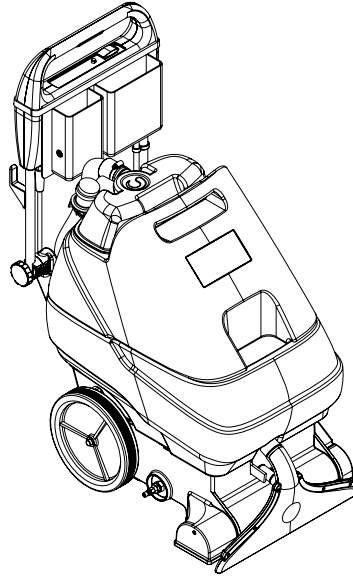
Klenzor™ 18 MPH



PARTS LIST

Kent MODELS 56265004(16), 56265005(18)

KENT

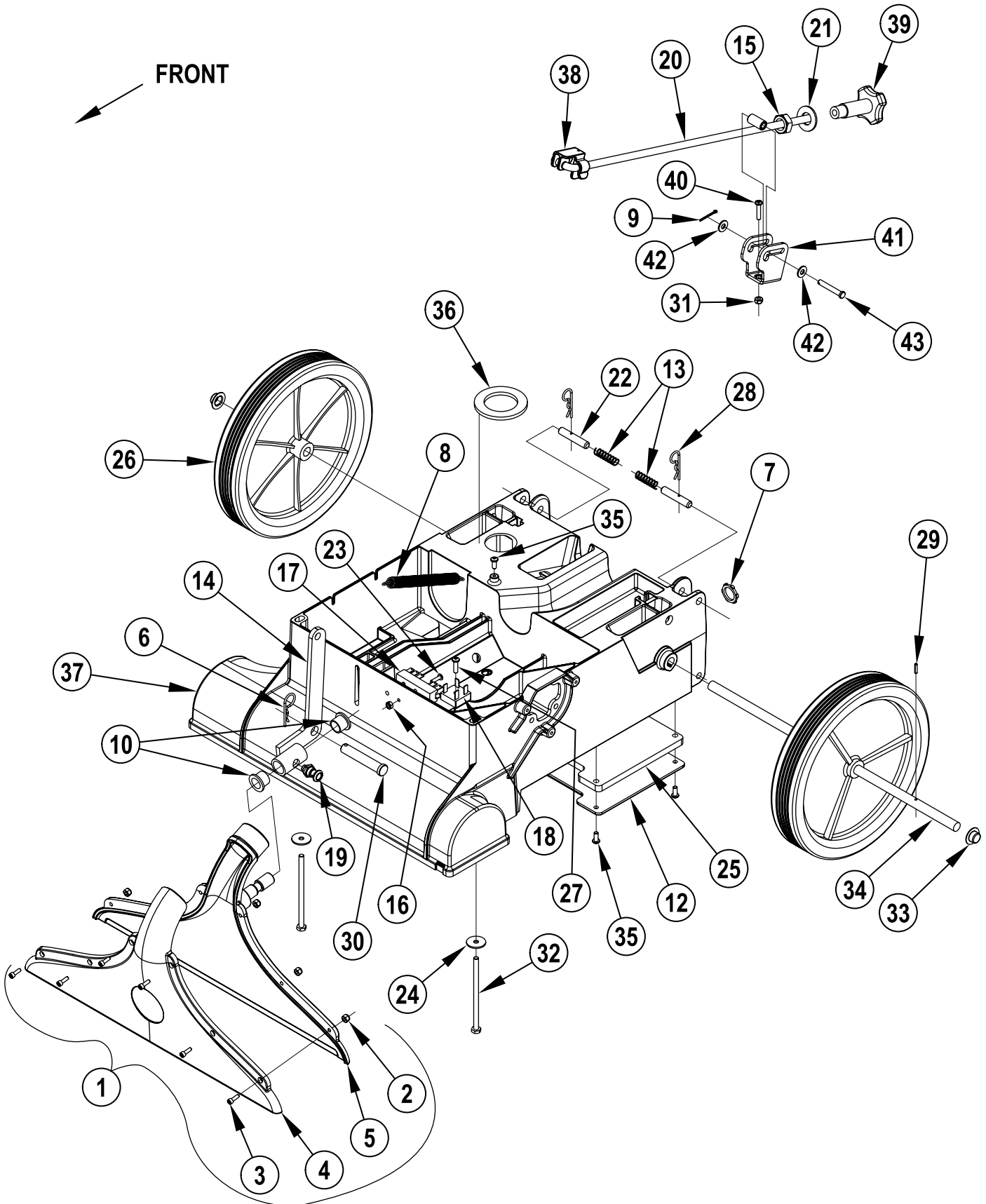


DESCRIPTION	PAGE
Base System	2-3
Brush System	4-5
Decal System	6-7
Handle System 16	8-9
Handle System 18	10-11
Recovery System	12-13
Solution Pump System	14-15
Solution Tank Assembly	16-17
Wiring Diagram	18-19
Hard Floor Tool Kit	20-21
Accessories	22

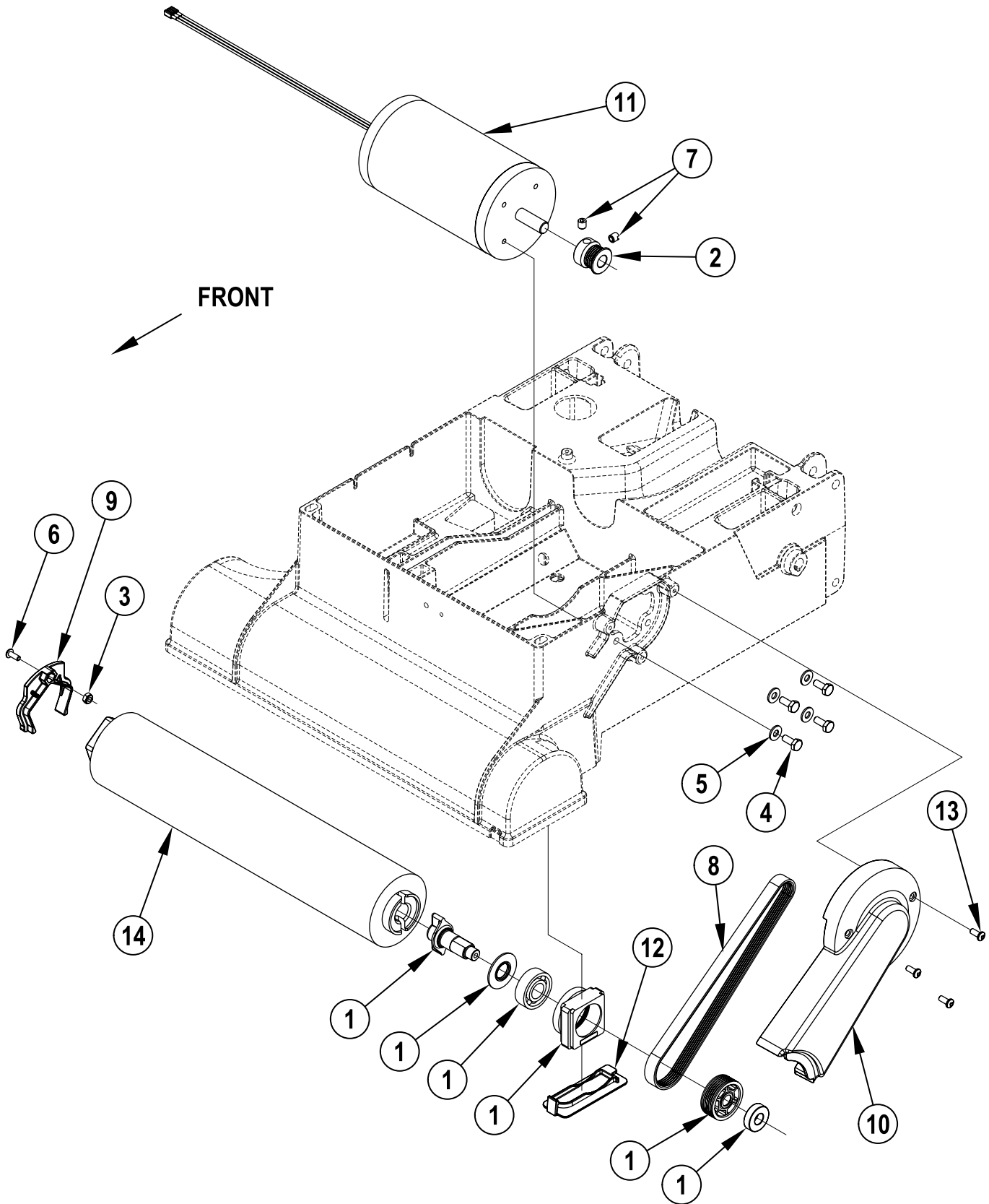
WHEN ORDERING PARTS

- * Use the 8 digit numbers from the "Ref. No." columns in this parts list.
- * Specify the model and serial number of the machine.
- * Use the space below to record the model and serial number for future reference.

Model _____ Serial No. _____



Item	Ref. No.	Qty	Description
1	56265067	1	Shoe Assembly, 16 (Klenzor 16) (items 2-5)
	56265080	1	Shoe Assembly, 18 (Klenzor 18) (items 2-5)
2	56002865	6	Nut, Hex Nyl Loc-Thin 8-32
3	56002101	6	Scr, Soc Hd 8-32 x 0.50
4	56265068	1	Shoe Front, 16
	56265081	1	Shoe Front, 18
5	56265069	1	Shoe Back, 16, Assy
	56265082	1	Shoe Rear, 18, Assy
6	56002959	1	Pin, Cotter Hair
7	56009095	1	Nut, Conduit Lock 1/2-14
8	56398606	1	Spring, Ext .50 x 6.25
9	56002166	1	Pin, Cotter 3/32 x 3/4
10	56171095	2	Bearing, Flange
11			Intentionally Omitted
12	56265172	1	Panel, Exhaust
13	56228142	2	Spring, Compression
14	56265116	1	Linkage Weldment, 16 (16)
	56265144	1	Linkage Weldment, 18 (18)
15	56002844	1	Nut, Hex Nyl Loc-Thin 5/8-11
16	56002865	1	Nut, Hex Nyl Loc-Thin 8-32
17	56260071	1	Terminal Block
18	56265103	1	Rectifier, 35 Amp
19	56365548	1	Lock Pin Assy
20	56265111	1	Adjustment Rod Weldment
21	56002022	1	Wsh, Flt SAE 5/8
22	56265073	2	Pin, Pivot
23	56002146	1	Scr, Pan Phil 8-32 x .62
24	56009060	2	Wsh, Flt SS .260 x 1.000 x .074
25	56265071	1	Gasket, Exhaust
26	56249505	2	Wheel
27	56003091	1	Scr, Pan Phil Plastite 10-14 x .75
28	56003120	2	Pin, Cotter Hair .0915 x .375
29	56003133	1	Pin, Spr .12 x .56
30	56003207	1	Clevis Pin .50 x 2.75
31	56002832	1	Nut, Hex Nyl Loc-Thin 10-24
32	56003691	2	Scr Hex Loc SS 1/4-20 x 4.50
33	56009097	2	Nut, Push Cap 1/2
34	56265057	1	Axle
35	56009191	5	Scr, Pan Phil Plastite 10-14 x .50
36	56200573	1	Gasket, Ring 1.75 x 2.75 x .19
37	56265020	1	Base, Extractor, 16 (16)
	56265120	1	Base, Extractor, 18 (18)
38	56265031	1	Clip, Rod
39	56265036	1	Knob, Brush Adjustment
40	56002674	1	Scr, Pan Phil 10-24 x 1.00
41	56265119	1	Latch, Adjustment
42	56002098	2	Wsh, Flt SAE 1/4
43	56003193	1	Clevis Pin .25 x 1.625



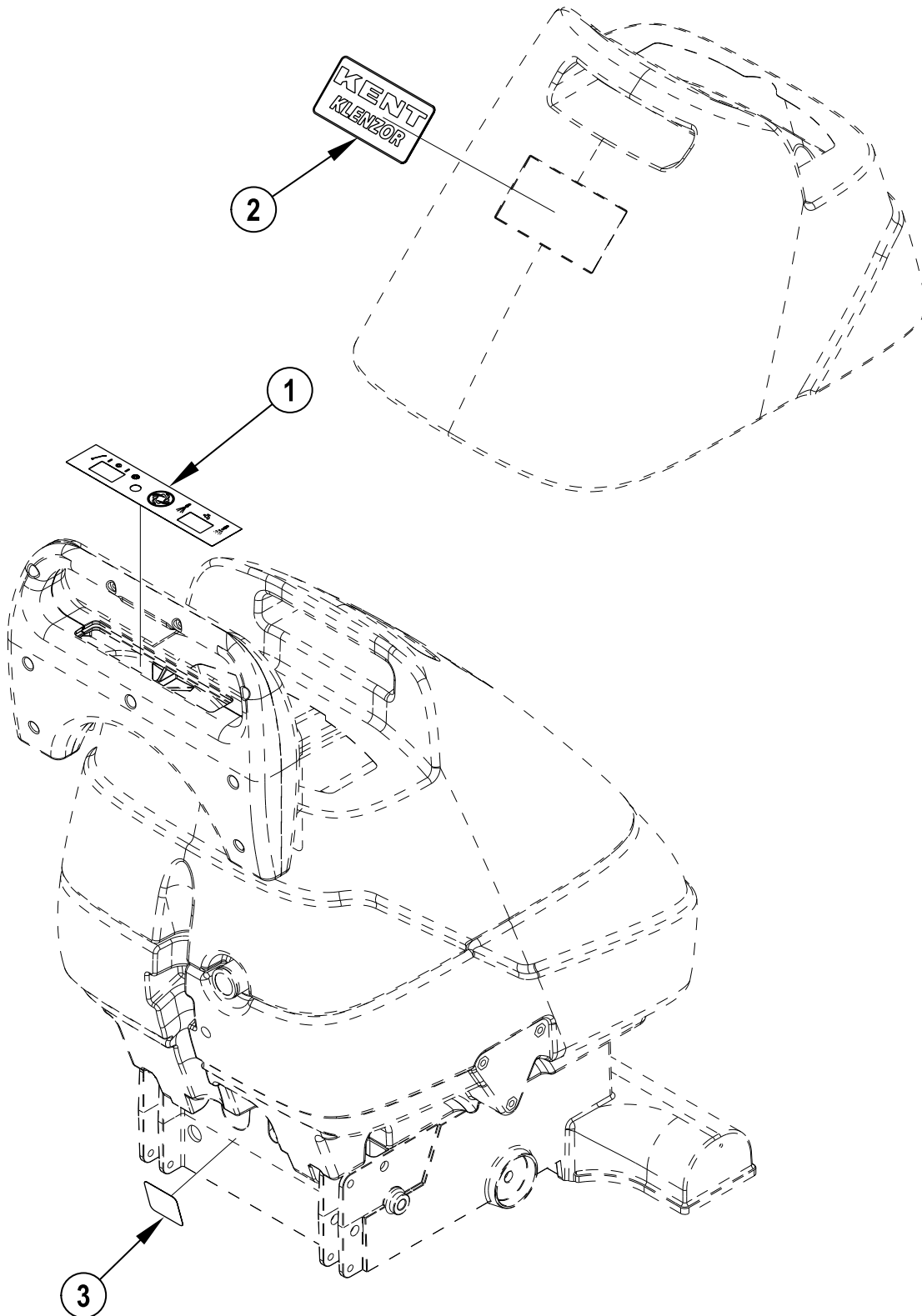
04-12

BRUSH SYSTEM

05-3

Klenzor™ 16, 18 MPH**5**

Item	Ref. No.	Qty	Description
1	56265204	1	Bearing/Spindle Kit
		1	Spindle, Drive
		1	Washer, Bearing
		1	Bearing, Block
		1	Sheave Poly-V 6J17
		1	Bearing, Ball
		1	Bearing, Ball
2	56262558	1	Sheave, Poly-V
3	56002849	1	Nut, Hex Nyl Loc-Thin SS 10-24
4	56001854	4	Scr, Hex Hd 1/4-20 x .50
5	56002098	4	Wsh, Flt SAE 1/4
6	56002900	1	Scr, Pan Phil SS 10-24 x .50
7	56009131	2	Scr, Soc Set Loc 5/16-18 x .31
8	56265024	1	Belt, Poly V
9	56265043	1	Clip, Brush Retainer
10	56265047	1	Belt Guard
11	56265075	1	Motor, 115 VDC, 1/3 HP
12	56265091	1	Cover, Pulley
13	56009191	3	Scr, Pan Phil Plastite 10-14 x .50
14	56265044	1	Brush Assembly 16
	56265046	1	Brush, 16
	56265099	1	Brush Assembly 18
	56265065	1	Brush, 18



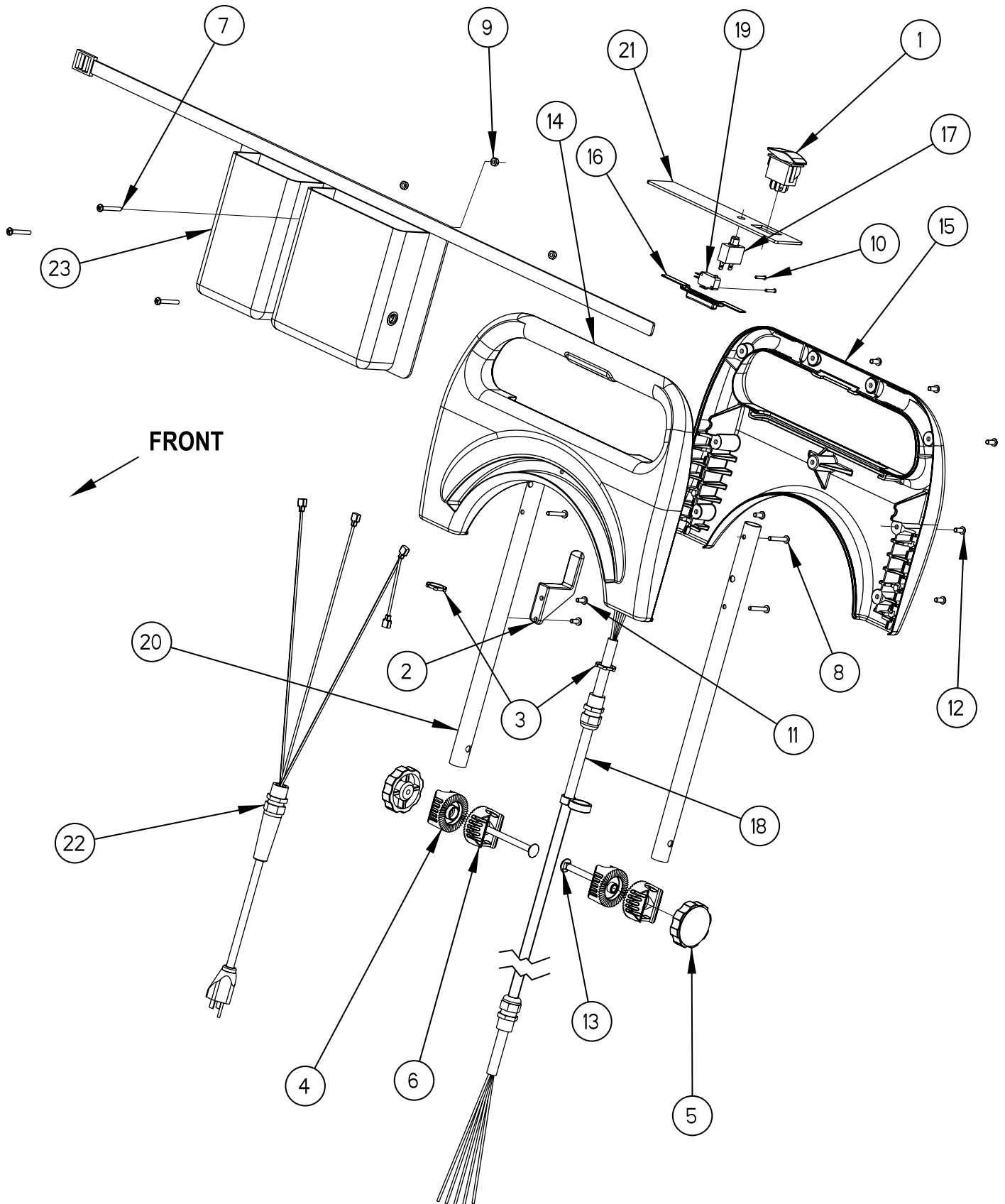
04-12

DECAL SYSTEM

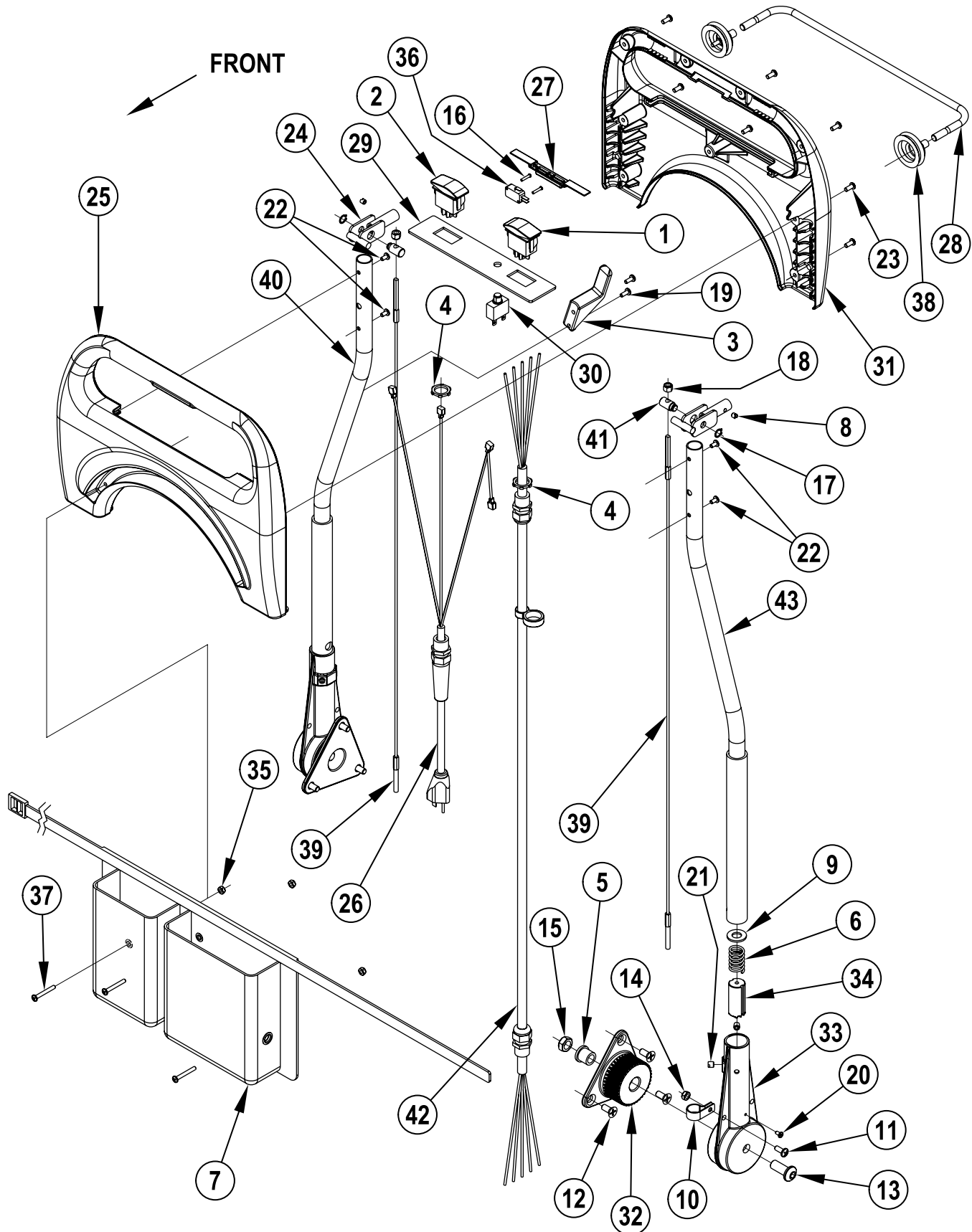
Klenzor™ 16, 18 MPH

7

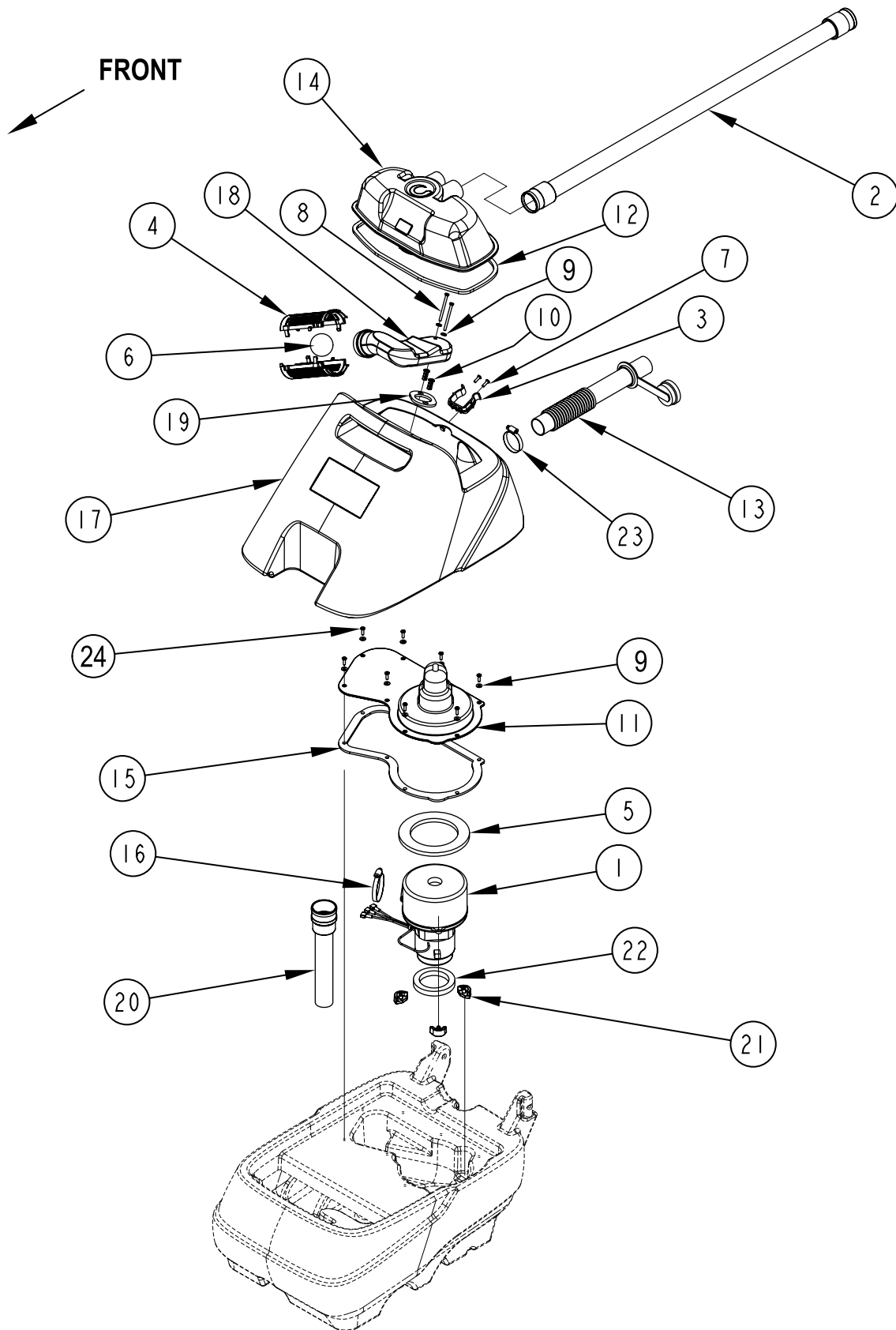
Item	Ref. No.	Qty	Description
1	56016717	1	Decal, Panel (18)
	56016716	1	Decal, Panel (16)
2	56016723	1	Decal, Kent Klenzor
3	56016718	1	Decal, Brush Pressure



Item	Ref. No.	Qty	Description
1	56265097	1	Switch, Rocker
2	56262518	1	Hook, Cord
3	56009095	2	Nut, Conduit Lock 1/2-14
4	56264123	2	Ratchet
5	56302167	2	Knob
6	56264118	2	Ratchet
7	56002231	3	Scr, Pan Phil 10-24 x 1.50
8	56002824	4	Scr, Pan Phil 10-24 x 1.25
9	56002832	3	Nut, Hex Nyl Loc-Thin 10-24
10	56003092	2	Scr, Pan Phil Plastite 4-20 x .62
11	56009029	2	Scr, Pan Phil Thd Form 10-24 x .50
12	56009191	9	Scr, Pan Phil Plastite 10-14 x .50
13	56009227	2	Scr, Carriage 5/16-18 x 3.50
14	56265028	1	Cover, Handle, Front
15	56265029	1	Cover, Handle, Rear
16	56265053	1	Button, Spray
17	56265056	1	Circuit Breaker W/Boot
18	56265085	1	Main Cable Assy
19	56265098	1	Switch, SPDT Snapaction
20	56265143	2	Tube, Handle
21	56265159	1	Panel, Control
22	56265162	1	Cord, Power 14/3, SJT
23	56265198	1	Bag, Utility



Item	Ref. No.	Qty	Description
1	56265097	1	Switch, Rocker (vacuum)
2	56265107	1	Switch, Rocker (solution)
3	56262518	1	Hook, Cord
4	56009095	2	Nut, Conduit Lock 1/2-14
5	56111503	2	Bearing, Flange
6	56056519	2	Compression Spring
7	56265198	1	Bag, Utility
8	56001841	2	Scr, Soc Set Loc 1/4-20 x .25
9	56009003	2	Wsh, Flt .516 x .938 x .075
10	56486112	1	Clamp, P
11	56002066	2	Scr, Pan Phil 1/4-20 x .62
12	56002395	6	Scr, Flt Phil 5/16-18 x .75
13	56009341	2	Scr, Button Soc 1/2-13 x 1.50
14	56002840	1	Nut, Hex Nyl Loc-Thin 1/4-20
15	56002843	2	Nut, Hex Nyl Loc-Thin 1/2-13
16	56003092	2	Scr, Pan Phil Plastite 4-20 x .62
17	56003253	2	Ring, Ret Ext
18	56003284	2	Nut, Hex Nyl Loc 1/4-28
19	56009029	2	Scr, Pan Phil Thd Form 10-24 x .50
20	56009066	2	Scr, Pan Phil 8-32 x .31
21	56009131	4	Scr, Soc Set Loc 5/16-18 x .31
22	56009139	4	Scr, Pan Phil Loc 10-24 x .38
23	56009191	9	Scr, Pan Phil Plastite 10-14 x .50
24	56265023	2	Pivot Weldment
25	56265028	1	Cover, Handle, Front
26	56265162	1	Cord, Power 14/3, SJT
27	56265053	1	Button, Spray
28	56265054	1	Bail, Handle Release
29	56265055	1	Panel, Control
30	56265056	1	Circuit Breaker W/Boot (5 amps)
31	56265062	1	Cover, Flip Handle, Back
32	56265074	2	Gear, Handle
33	56265083	2	Handle Socket
34	56265084	2	Lock, Handle
35	56002832	3	Nut, Hex Nyl Loc-Thin 10-24
36	56265098	1	Switch, SPDT Snapaction
37	56002231	3	Scr, Pan Phil 10-24 x 1.50
38	56265128	2	Bellows, Handle
39	56265147	2	Wire Rope Assy
40	56265157	1	Tube, Handle
41	56265164	2	Pin
42	56265192	1	Main Cable Assy
43	56265197	1	Tube, Handle



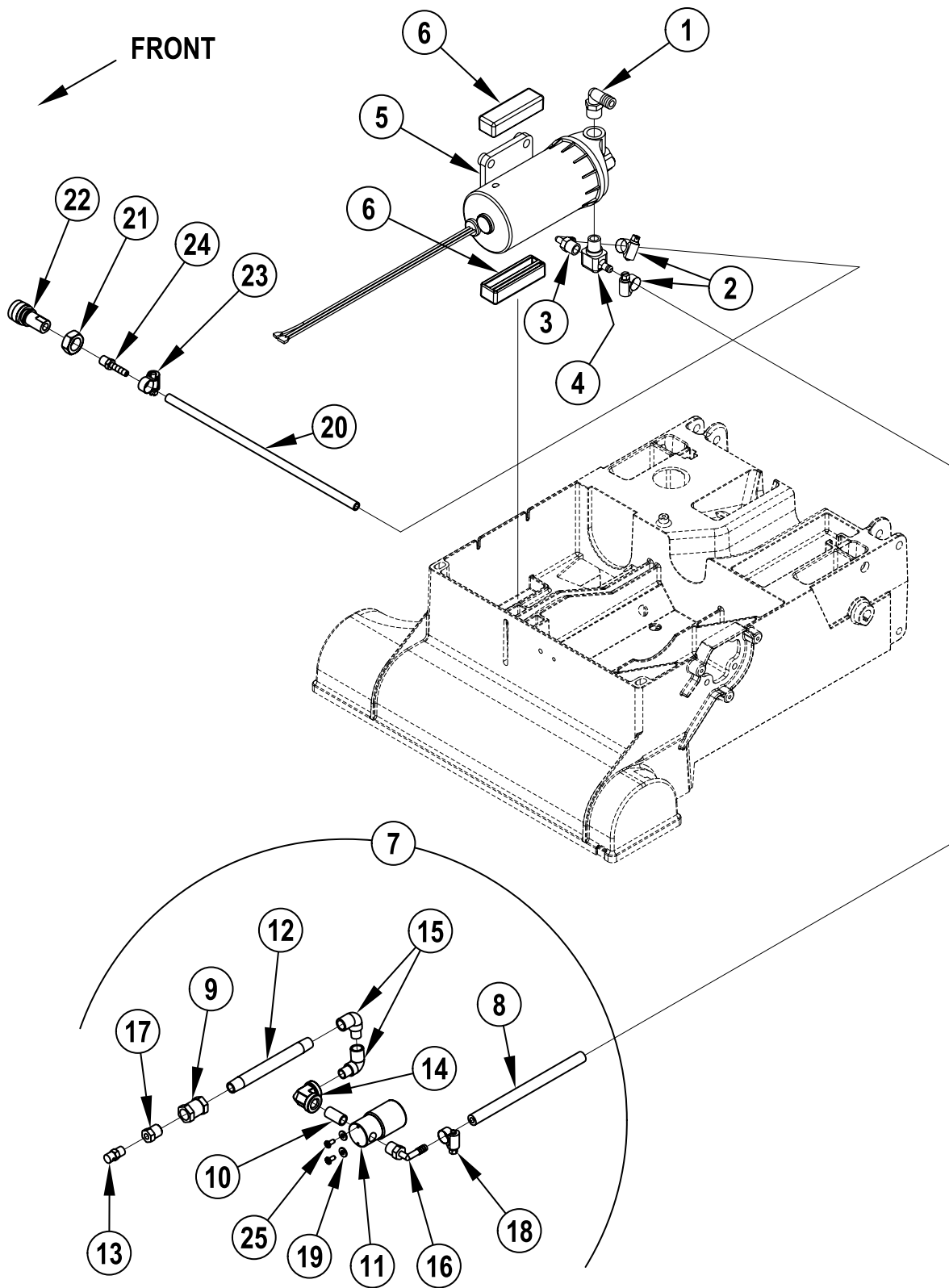
04-12

RECOVERY SYSTEM

05-3

Klenzor™ 16, 18 MPH**13**

Item	Ref. No.	Qty	Description
1	56265096	1	Vac Motor, 120V
2	56265142	1	Vac Hose 1.50 x 48.00 x 975018 (Klenzor 16)
	56265211	1	Vac Hose 1.50 x 54.00 x 975018 (Klenzor 18)
3	56331154	1	Clamp, Plastic
4	56324497	2	Cage, Float
5	56385437	1	Gasket
6	56391690	1	Ball, Float
7	56002124	2	Scr, Pan Phil 10-24 x .62
8	56003131	2	Scr, Hex SS 10-24 x 2.50
9	56009205	10	Wsh, Flt SS #10
10	56009374	2	Jack Nut
11	56265030	1	Cover, Vac Motor
12	56265032	1	Gasket
13	56265034	1	Hose, Drain 1.5 Inch
14	56265064	1	Recovery Lid
15	56265072	1	Gasket, Vac Cover
16	56440213	1	Clamp, Hose SAE #32
17	56265131	1	Tank, Recovery, 16 (16)
	56265133	1	Tank, Recovery, 18 (18)
18	56265134	1	Duct, Float
19	56265163	1	Gasket
20	56265202	1	Vac Hose Assy
21	56314484	3	Mount, Vibration
22	56314760	1	Gasket, Vacuum Duct
23	56329145	1	Clamp, Hose SAE #24
24	56002900	8	Scr, Pan Phil SS 10-24 x .50



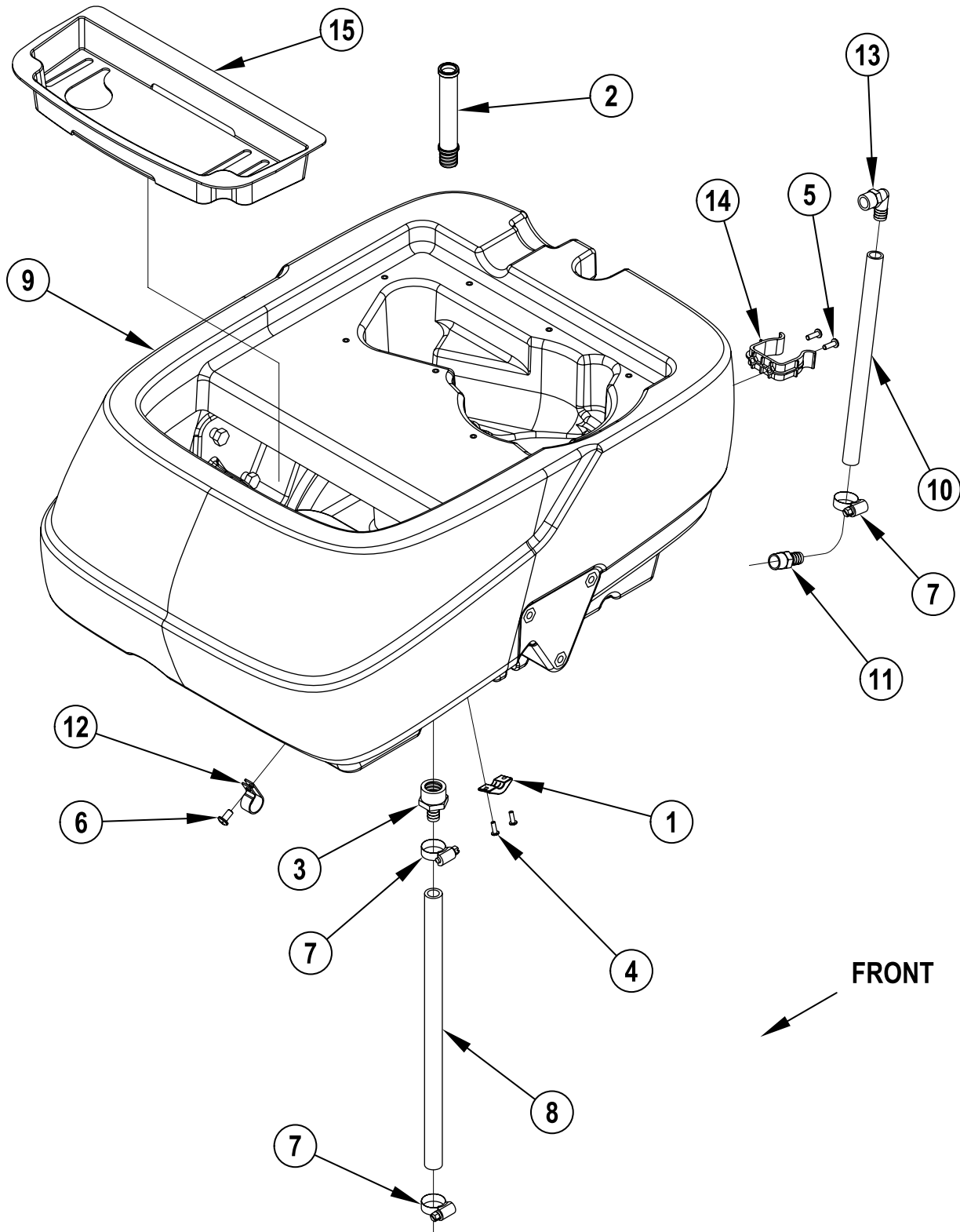
04-12

SOLUTION PUMP SYSTEM

05-1

Klenzor™ 16, 18 MPH**15**

Item	Ref. No.	Qty	Description
1	56900069	1	Barb, 90 Elbow 1/2 X 3/8NPT
2	56756364	2	Clamp, Hose SAE #4
3	56470138	1	Barb, 90 Elbow 1/4 x 1/4NPT
4	56264382	1	Adaptor, Barbed
5	56265051	1	Pump 115V
6	56265033	2	Mount, Pump
7	56265160	1	Nozzle/Valve Assy (16) (items 8-18)
8	56260841	1	7.00 Hose
9	56900032	1	Coupling
10	56150223	1	Nipple, 1/4NPT x .88/1.12
11	56265037	1	Valve, Solenoid 115V
12	56265040	1	Nipple, 1/4NPT x 5.00, Brass
13	56265052	1	Nozzle, Spray
14	56340782	1	Elbow, Pipe 1/4 NPT Brass
15	56369632	2	Elbow, 90 Street
16	56470138	1	Barb, 90 Elbow 1/4 x 1/4NPT
17	56740214	1	Bushing, Reducer
18	56756364	1	Clamp, Hose SAE #4
19	56002875	2	Wsh, Flt SAE SS #8
20	56220043	1	Solution Feed Hose
21	56009078	1	Nut, Hex Jam SS 5/8-18
22	56265208	1	Socket, 1/8 FPT
23	56756364	1	Clamp, Hose SAE #4
24	56369594	1	Barb, Adapter 1/4 x 1/8NPT
25	56003018	2	Scr, Pan Phil SS 8-32 x .38



04-12

SOLUTION TANK ASSEMBLY

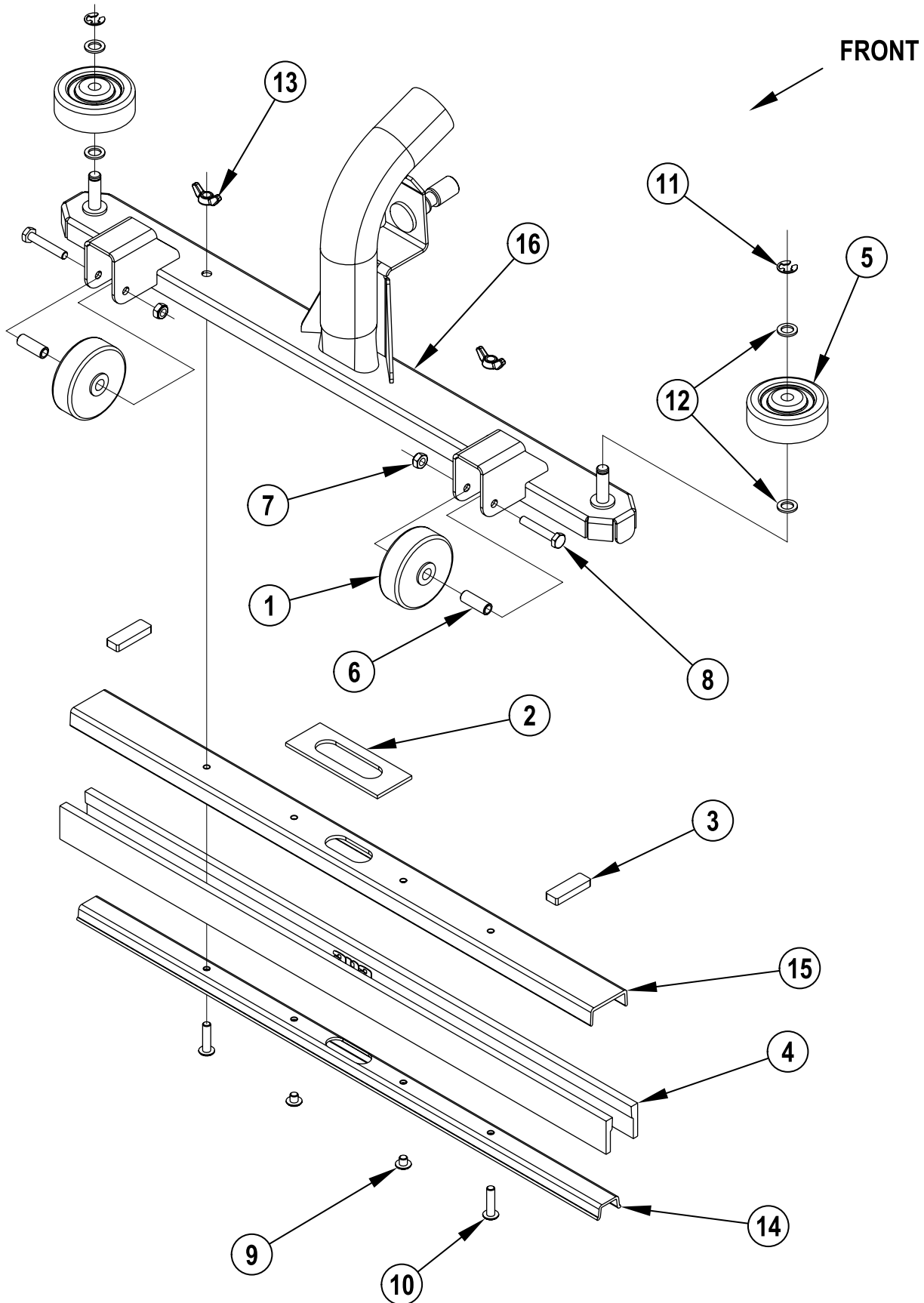
05-3

Klenzor™ 16, 18 MPH**17**

Item	Ref. No.	Qty	Description
1	56264119	1	Clamp, Power Cord (18 only)
2	56264137	1	Screen
3	56262190	1	Barb
4	56002003	2	Scr, Pan Phil 8-32 x .50 (18 only)
5	56002124	2	Scr, Pan Phil 10-24 x .62
6	56002145	1	Scr, Pan Phil 1/4-20 x .50 (18 only)
7	56219932	3	Clamp, Hose SAE #6
8	56387302	1	Hose, Spiral .500
9	56265132	1	Tank, Solution, 18 (18)
	56265130	1	Tank, Solution, 16 (16)
10	56265216	1	Hose, PVC Clear 11.00
11	56409507	1	Barb, Adapter 1/2 x 3/8NPT
12	56486112	1	Clamp, P (18 only)
13	56900069	1	Barb, 90 Elbow 1/2 x 3/8NPT
14	56331154	1	Clamp, Plastic
15	56265206	1	Lid, Solution Tank (16 only)

Item	Ref. No.	Qty	Description
D1	56265103	1	Rectifier, 35 Amp
F1	56265056	1	Circuit Breaker, 5 Amp
L1	56265037	1	Valve, Solenoid 115V
M1	56265096	1	Motor Vacuum, 120V
M2	56265075	1	Motor, Brush 115 VDC, 1/3 HP
M3	56265051	1	Motor, Pump 115V
S1	56265097	1	Switch, Mode Selection
S2	56265053	1	Switch, Intermittent Spray
S3	56265107	1	Switch, Constant Spray (18 only)
*	56265187	1	Wire Assembly (16, 18)
*	56265102	1	Wire Assembly (16, 18)
*	56265087	1	Wire Assembly (16, 18)
*	56265108	2	Wire Assembly (18)

* = Not Shown



Item	Ref. No.	Qty	Description
	56265150	1	Hard Floor Tool (items 1-16) (Optional)
1	56324350	2	Wheel
2	56400613	1	Gasket
3	56400614	2	Gasket
4	56105506	2	Blade Spec, Squeegee
5	56363855	2	Wheel
6	56471220	2	Bushing
7	56002850	2	Nut, Hex Nyl Loc-Thin SS 1/4-20
8	56002901	2	Scr, Hex Hd SS 1/4-20 x 1.50
9	56003037	2	Scr, Pan Phil SS 1/4-20 x .25
10	56003067	2	Scr, Pan Phil SS 1/4-20 x 1.00
11	56003269	2	Ring, Ret Ext Type E Reinf. 0.38 Dia.
12	56009047	4	Wsh, Flt .391 x .625 x .060
13	56009048	2	Nut, Wing Loc 1/4-20
14	56264336	1	Retainer
15	56264337	1	Channel
16	56265079	1	Squeegee Weldment

OPTIONAL BRUSHES

Brush Assembly Description	16"	18"
Nylon Brush Assembly	56265044	56265099
Blue Brush Assembly	56265175	56265177
240 Grit Brush Assembly	56265176	56265178

ACCESSORY TOOLS

- 56314402 Wand Assembly w/Soft and Hard Floor Tools
- 56265173 Wand Assembly w/Soft Floor Tool
- 56262209 Stand Up Wand
- 56220109 Hand Tool
- 56220070 Upholstery Hand Tool
- 56220035 7' Hose w/Waterline
- 56265174 15' Hose w/Waterline
- 56265112 Locking Extension Cord

KENT

14600 21st Avenue North
Plymouth, MN, 55447-3408
www.kenturoclean.com
Phone: 800-334-1083
Fax: 866-261-4779
©2005 Printed in the U.S.A.