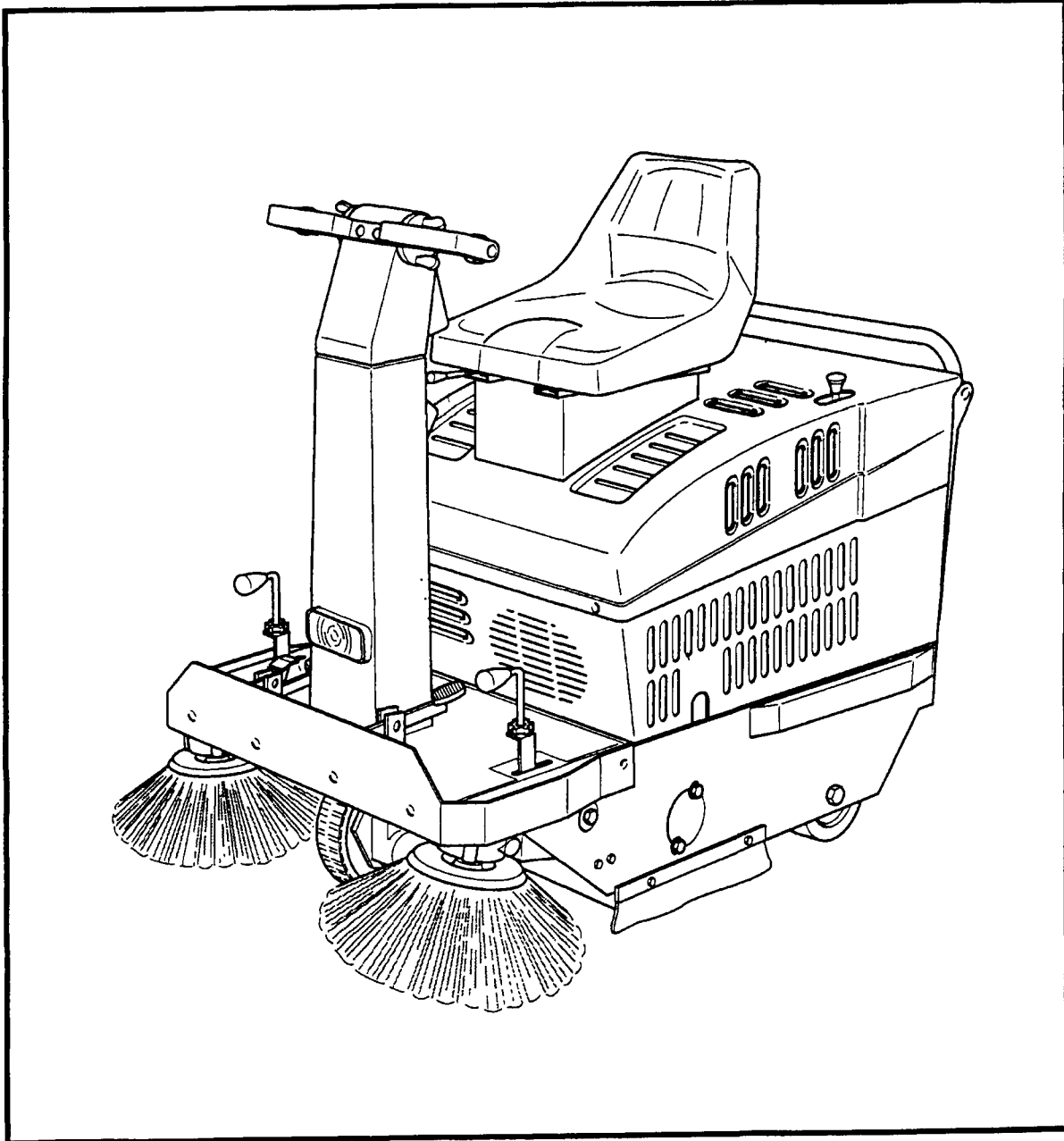




KENT

PARTS

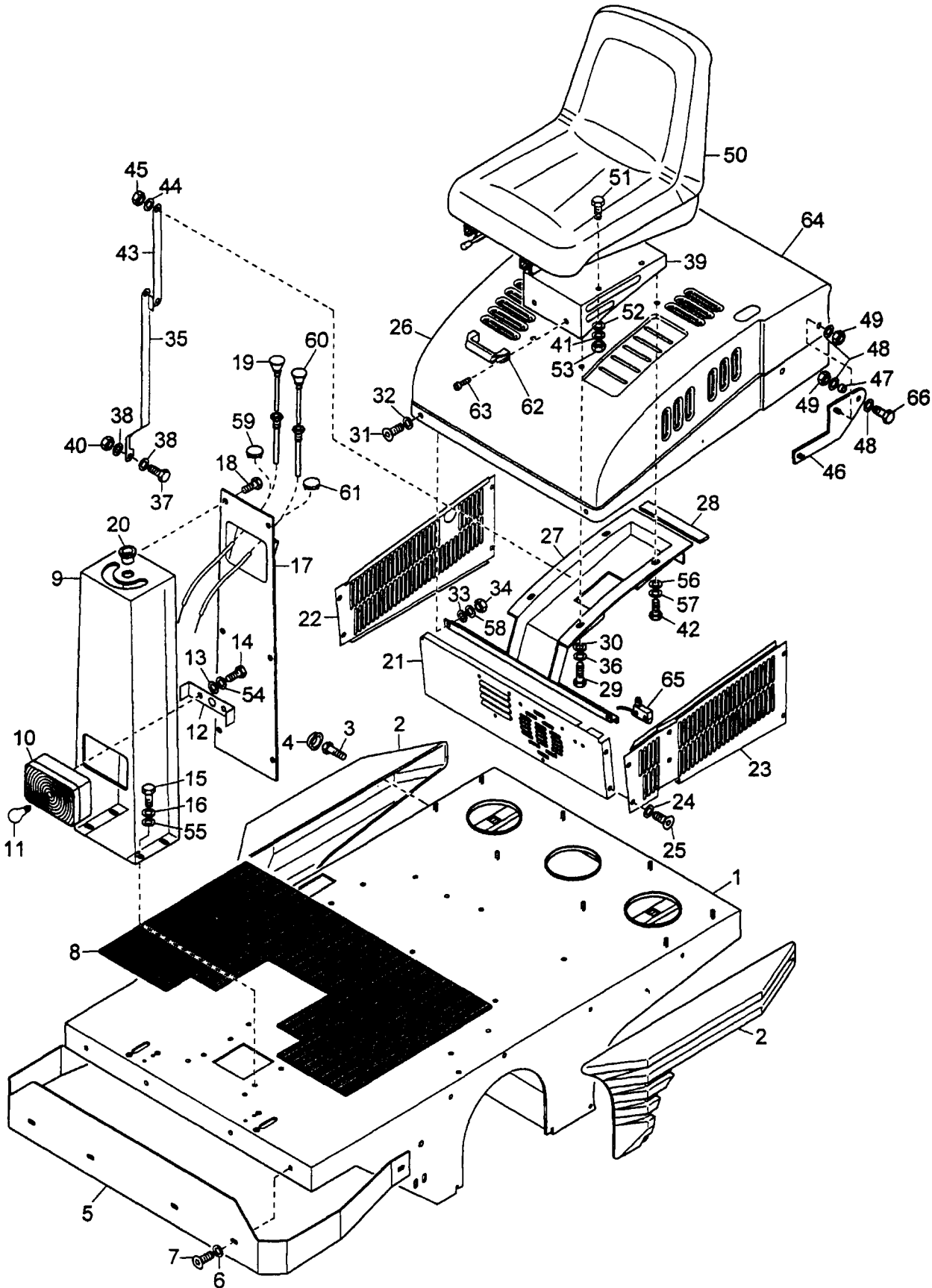


KS-33.5BR

**Spare Parts List
Ersatzteilliste
Liste des pieces detachees
Reservdelista**

TAV. A / DRAW. A / VUE A / ZEICHN. A

SR 5100P/B

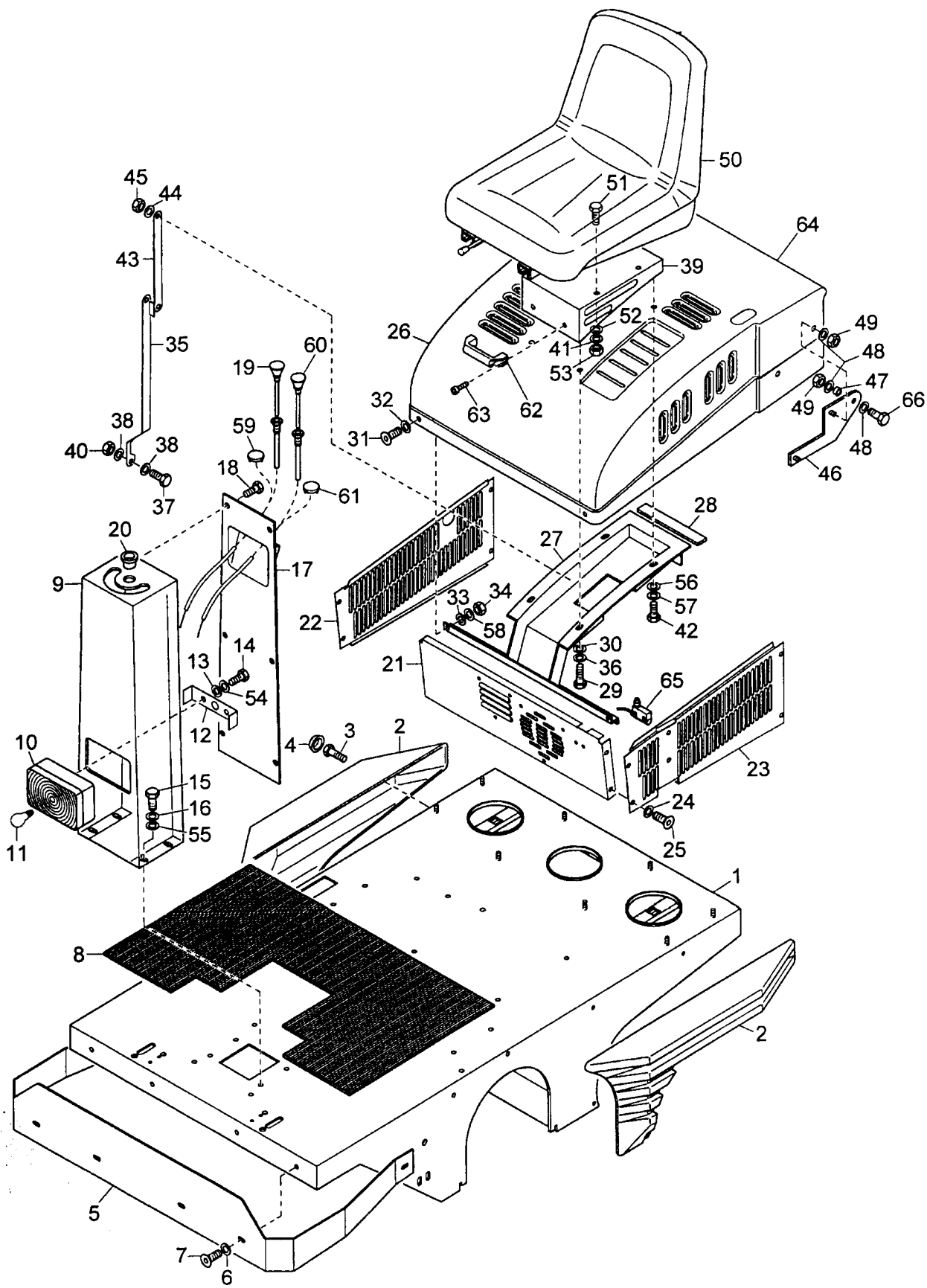


TAV. A / DRAW. A / VUE A / ZEICHN. A

POSIZ. ITEM POS. EINSAT.	CODICE CODE CODE CODE	DESCRIZIONE DESCRIPTION DESCRIPTION BEZEICHNUNG	SR 5100P/B		
			B	M	O
1	F01.21770	TELAIO / FRAME / CHASSIS / RAHMEN	1	1	
2	H01.26250	PARAURTI / MOUNTING BRAKET / PARACHOCS / STOSSDAEMPFER DX	1	1	
2	H01.26240	PARAURTI / MOUNTING BRAKET / PARACHOCS / STOSSDAEMPFER SX	1	1	
3	V03.04410	VITE / SCREW / VIS / SCHRAUBE	4	4	
4	L02.05200	TAPPO / CAP / BOUCHON / PFROPFEN	4	4	
5	F00.65600	PARAURTI / MOUNTING BRAKET / PARACHOCS / STOSSDAEMPFER	1	1	
6	V11.02200	RONDELLA / WASHER / RONDELLE / BEILAGSCHEIBE	6	6	
7	V03.004	VITE / SCREW / VIS / SCHRAUBE	6	6	
8	H02.34670	TAPPETINO / MAT BOARD / TAPIS / TEPPICH	1	1	
9	F00.62200	PIANTONE / COLUMN / COLONNE / LENKROHR	1	1	
10	G06.02400	FANALE / HEADLIGHT / PHARE / SCHEINWERFER	1	1	
11	G11.03000	LAMPADINA / LAMP / LAMPE / LAMPE	1	1	
12	F03.62500	STAFFA / BRAKET / SUPPORT / BUEGEL	1	1	
13	V09.05310	RONDELLA / WASHER / RONDELLE / BEILAGSCHEIBE	2	2	
14	V02.09203	VITE / SCREW / VIS / SCHRAUBE	2	2	
15	V01.015	VITE / SCREW / VIS / SCHRAUBE	4	4	
16	V11.005	RONDELLA / WASHER / RONDELLE / BEILAGSCHEIBE	4	4	
17	H01.25710	COPERCHIO / LID-COVER / COUVERCLE / DECKEL	1	1	
18	V05.00703	VITE / SCREW / VIS / SCHRAUBE	6	6	
19	E08.09100	CAVO STARTER / STARTER CABLE / STARTER CABLE / STARTERKABEL		1	
20	ED1.04800	BOCCOLA / BUSHING / BAGUE / BUECHSE	1	1	
21	F00.66340	CARENATURA INFERIORE / FRONT FRAME / PANNEAU / WANGE	1	1	
22	F00.66350	FIANCATA DX / SIDE FRAME / PANNEAU / WANGE	1	1	
23	F00.66360	FIANCATA SX / SIDE FRAME / PANNEAU / WANGE	1	1	
24	V11.02200	RONDELLA / WASHER / RONDELLE / BEILAGSCHEIBE	8	8	
25	V03.0004	VITE / SCREW / VIS / SCHRAUBE	8	8	
26	H01.25850	COFANO / BONNET / CAPOTAGE / MOTORHAUBE		1	
26	H01.25851	COFANO / BONNET / CAPOTAGE / MOTORHAUBE		1	
27	F00.66380	SUPPORTO / SUPPORT / SUPPORT / HALTER	1	1	
28	H02.050	GUARNIZIONE / GASKET / JOINT / DICHTUNG	1	1	
29	V02.015	VITE / SCREW / VIS / SCHRAUBE	2	2	
30	V09.005	RONDELLA / WASHER / RONDELLE / BEILAGSCHEIBE	2	2	
31	V03.020	VITE / SCREW / VIS / SCHRAUBE	2	2	
32	V11.02200	RONDELLA / WASHER / RONDELLE / BEILAGSCHEIBE	2	2	
33	V09.022	RONDELLA / WASHER / RONDELLE / BEILAGSCHEIBE	2	2	
34	V13.004	DADO / NUT / ECROU / MUT	2	2	
35	F03.65900	ASTA INFERIORE / PUSH ROD / TIRANT / STANGE	1	1	
36	V19.005	RONDELLA / WASHER / RONDELLE / BEILAGSCHEIBE	2	2	
37	V03.003	VITE / SCREW / VIS / SCHRAUBE	1	1	
38	V09.004	RONDELLA / WASHER / RONDELLE / BEILAGSCHEIBE	2	2	
39	F00.66370	SUPPORTO SEDILE / SUPPORT / SUPPORT / HALTER	1	1	
40	V13.019	DADO / NUT / ECROU / MUT	1	1	
41	V09.005	RONDELLA / WASHER / RONDELLE / BEILAGSCHEIBE	4	4	
42	V02.014	VITE / SCREW / VIS / SCHRAUBE	2	2	
43	F03.66000	ASTA SUPERIORE / PUSH ROD / TIRANT / STANGE	1	1	
44	V09.004	RONDELLA / WASHER / RONDELLE / BEILAGSCHEIBE	2	2	

TAV. A / DRAW. A / VUE A / ZEICHN. A

SR 5100P/B

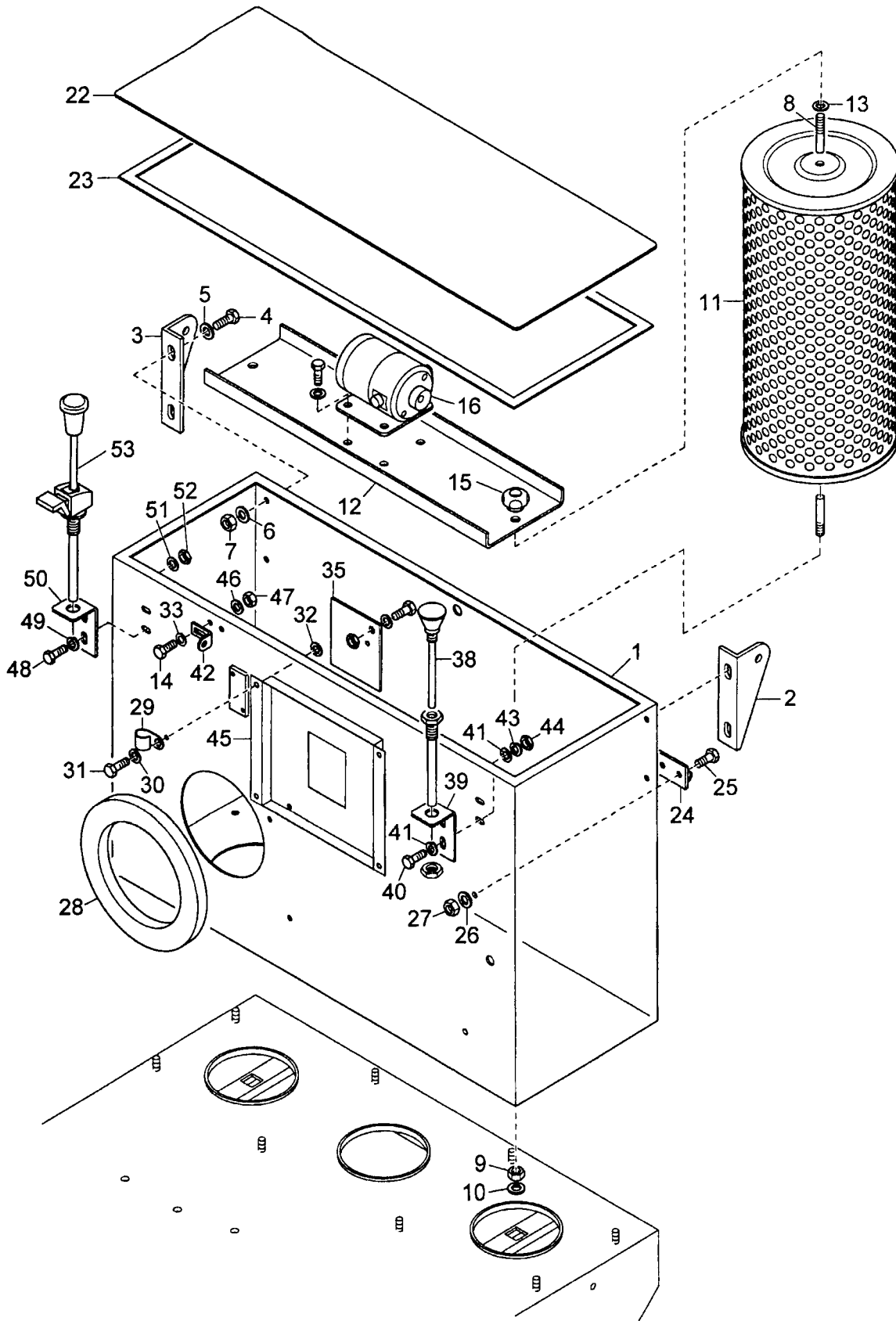


TAV. A / DRAW. A / VUE A / ZEICHN. A

POSIZ. ITEM POS. EINSAT.	CODICE CODE CODE CODE	DESCRIZIONE DESCRIPTION DESCRIPTION BEZEICHNUNG	SR 5100P/B		
			B	M	O
45	V13.019	DADO / NUT / ECROU / MUT	1	1	
46	F03.69250	PIATTO SX / BRACKET / SUPPORT / BUEGEL	1	1	
47	E05.11100	DISTANZIALE / SPACER / ENTRETOISE / ABSTANDSSTUECK	1	1	
48	V09.012	RONDELLA / WASHER / RONDELLE / BEILAGSCHEIBE	4	4	
49	V13.05900	DADO / NUT / ECROU / MUT	4	4	
50	L03.03310	SEDILE / SEAT / SIEGE / SITZ	1	1	
51	V02.014	VITE / SCREW / VIS / SCHRAUBE	4	4	
52	V11.005	RONDELLA / WASHER / RONDELLE / BEILAGSCHEIBE	4	4	
53	V13.005	DADO / NUT / ECROU / MUT	4	4	
54	V11.003	RONDELLA / WASHER / RONDELLE / BEILAGSCHEIBE	2	2	
55	V09.005	RONDELLA / WASHER / RONDELLE / BEILAGSCHEIBE	4	4	
56	V09.005	RONDELLA / WASHER / RONDELLE / BEILAGSCHEIBE	2	2	
57	V11.005	RONDELLA / WASHER / RONDELLE / BEILAGSCHEIBE	2	2	
58	V11.004	RONDELLA / WASHER / RONDELLE / BEILAGSCHEIBE	2	2	
59	L02.031	TAPPO / CAP / BOUCHON / PFROPFEN	2		
60	E08.09100	CAVO / CABLE / CABLE / KABEL		1	
61	L02.13600	TAPPO / CAP / BOUCHON / PFROPFEN	1		
62	L02.08200	MANIGLIA / HANDLE / POIGNEE / HANDGRIFF	1	1	
63	V01.015	VITE / SCREW / VIS / SCHRAUBE	2	2	
64	H01.25940	COFANO / BONNET / CAPOT / MOTORHAUBE BLUE	1		
64	H01.25950	COFANO / BONNET / CAPOT / MOTORHAUBE RED	1		
65	G05.008	MICROINT. / MICROSWITCH / MICROINTERRUPTEUR / MICROSCHALTER	1	1	
66		VITE / SCREW / VIS / SCHRAUBE			

TAV. B / DRAW. B / VUE B / ZEICHN. B

SR 5100P/B

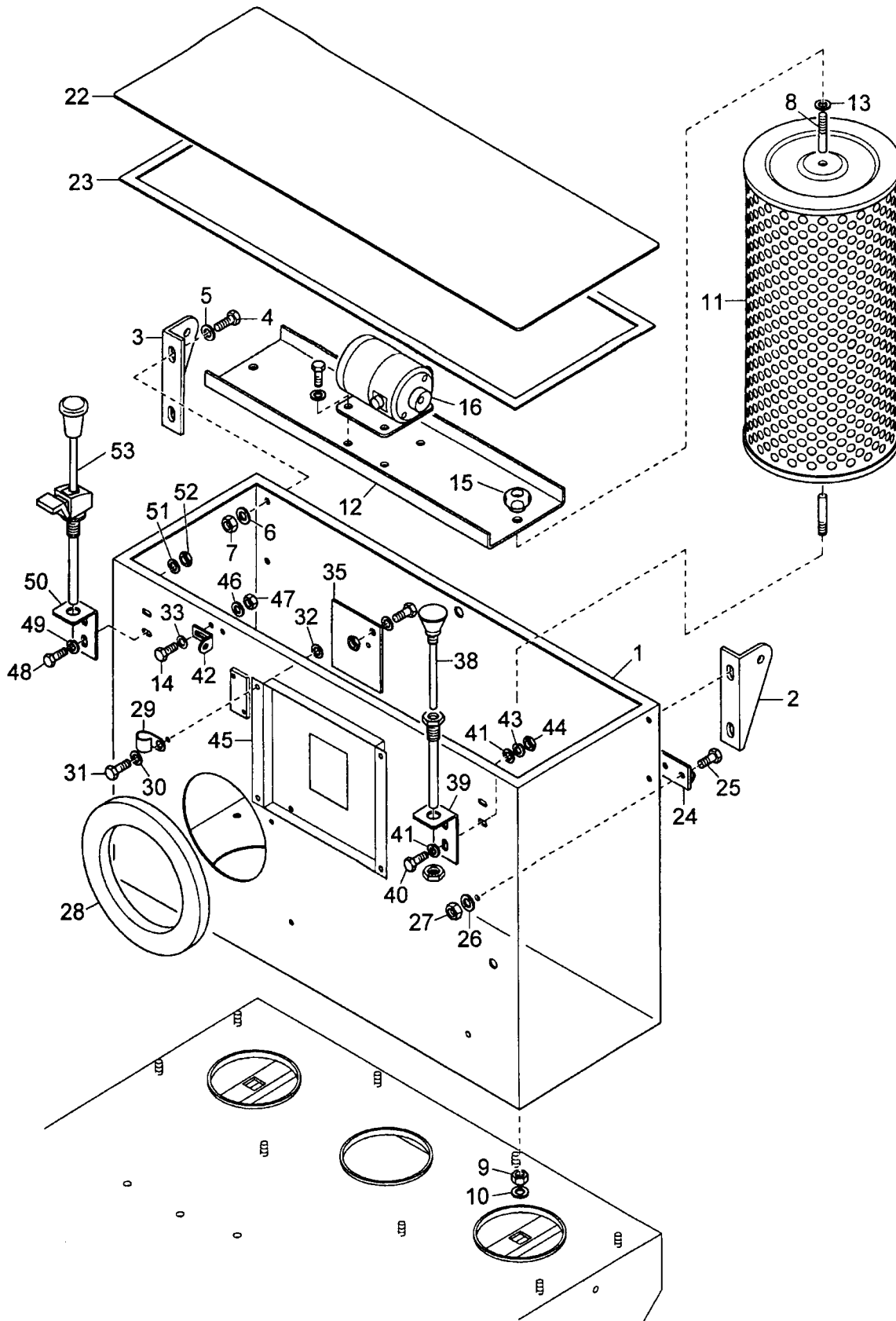


TAV. B / DRAW. B / VUE B / ZEICHN. B

POSIZ. ITEM POS. EINSAT.	CODICE CODE CODE CODE	DESCRIZIONE DESCRIPTION DESCRIPTION BEZEICHNUNG	SR 5100P/B		
			B	M	O
1	F01.21760	CASSONE / CONTAINER / CAISSON / BEHAELTER	1	1	
2	F03.65600	STAFFA SX / BRAKET / SUPPORT / BUEGEL	1	1	
3	F03.65700	STAFFA DX / BRAKET / SUPPORT / BUEGEL	1	1	
4	V02.004	VITE / SCREW / VIS / SCHRAUBE	4	4	
5	V09.022	RONDELLA / WASHER / RONDELLE / BEILAGSCHEIBE	8	8	
6	V11.004	RONDELLA / WASHER / RONDELLE / BEILAGSCHEIBE	4	4	
7	V13.004	DADO / NUT / ECROU / MUT	4	4	
8	V16.002	TIRANTE / TENSION ROD / TIRANT / ZUGSTANGE	2	2	
9	V13.005	DADO / NUT / ECROU / MUT	2	2	
10	V09.005	RONDELLA / WASHER / RONDELLE / BEILAGSCHEIBE	2	2	
11	B02.001	FILTRO / FILTER / FILTRE / FILTER	3	3	
12	F04.21270	PIASTRA / PLATE / PLAQUE / LASCHE	1	1	
13	H02.014	RONDELLA / WASHER / RONDELLE / BEILAGSCHEIBE	3	3	
14	V02.004	VITE / SCREW / VIS / SCHRAUBE	2	2	
15	L02.13000	VOLANTINO / KNOB / MOLETTE / HANDRAD	2	2	
16		SCUOTIFILTRO /	1	1	
22	F03.65800	COPERCHIO / LID-COVER / COUVERCLE / DECKEL	1	1	
23	H02.20500	BANDELLA / MAGNETIC STRIP / JOINT MAGN. / MAGNETISCHER STREIF	1	1	
24	F02.414	PIASTRINA / PLATE / PLAQUE / LASCHE	1	1	
25	V03.06303	VITE / SCREW / VIS / SCHRAUBE	2	2	
26	V09.003	RONDELLA / WASHER / RONDELLE / BEILAGSCHEIBE	2	2	
27	V13.003	DADO / NUT / ECROU / MUT	2	2	
28	H04.03700	GUARNIZIONE / GASKET / JOINT / DICHTUNG	1	1	
29	V20.03500	FASCETTA / CLAMP / COLLIER / PASSRING	2	2	
30	V09.022	RONDELLA / WASHER / RONDELLE / BEILAGSCHEIBE	4	4	
31	V02.002	VITE / SCREW / VIS / SCHRAUBE	4	4	
32	V11.004	RONDELLA / WASHER / RONDELLE / BEILAGSCHEIBE	4	4	
33	V09.022	RONDELLA / WASHER / RONDELLE / BEILAGSCHEIBE	4	4	
35	F03.69390	PIASTRA / PLATE / PLAQUE / PLATTE	1	1	
36	V04.03600	VITE / SCREW / VIS / SCHRAUBE	1	1	
38	E08.11800	CAVO / CABLE / CABLE / KABEL	1	1	
39	F03.62400	STAFFA / BRAKET / SUPPORT / BUEGEL	1	1	
40	V02.003	VITE / SCREW / VIS / SCHRAUBE	2	2	
41	V09.022	RONDELLA / WASHER / RONDELLE / BEILAGSCHEIBE	4	4	
42	F03.66100	PIASTRINA / PLATE / PLAQUE / LASCHE	1	1	
43	V11.004	RONDELLA / WASHER / RONDELLE / BEILAGSCHEIBE	2	2	
44	V13.004	DADO / NUT / ECROU / MUT	2	2	
45	F03.69380	FLANGIA / FLANGE / FLASQUE / FLANSCH	1	1	
46	V11.004	RONDELLA / WASHER / RONDELLE / BEILAGSCHEIBE	2	2	
47	V13.004	DADO / NUT / ECROU / MUT	2	2	
48	V02.003	VITE / SCREW / VIS / SCHRAUBE		1	

TAV. B / DRAW. B / VUE B / ZEICHN. B

SR 5100P/B

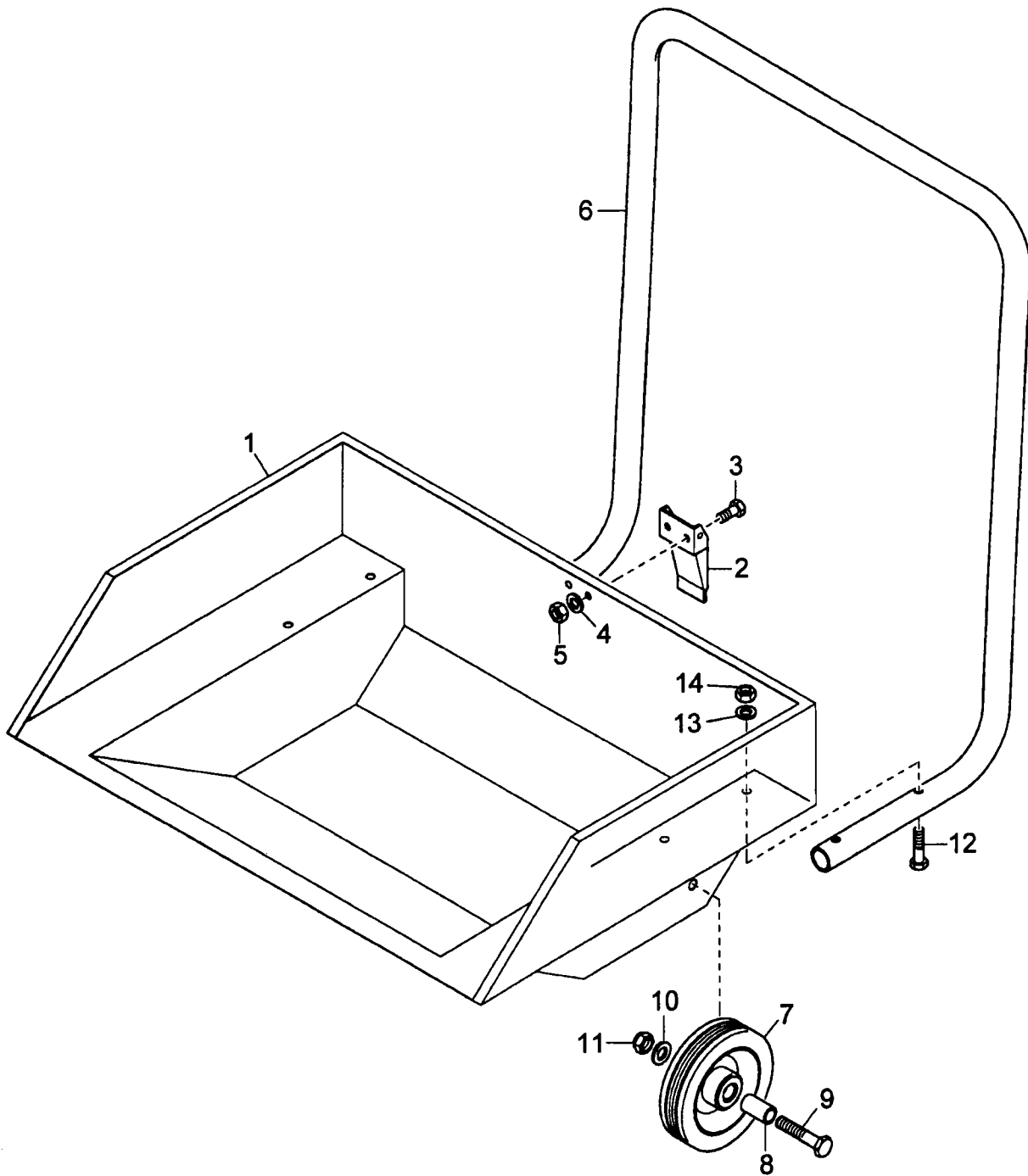


TAV. B / DRAW. B / VUE B / ZEICHN. B

POSIZ. ITEM POS. EINSAT.	CODICE CODE CODE CODE	DESCRIZIONE DESCRIPTION DESCRIPTION BEZEICHNUNG	SR 5100P/B		
			B	M	O
49	V09.022	SUPPORTO / SUPPORT / SUPPORT / HALTER	2	2	
50	F03.62400	RONDELLA / WASHER / RONDELLE / BEILAGSCHEIBE		1	
51	V11.004	STAFFA / HANGER / ETRIER / BÜGEL		1	
52	V13.004	RONDELLA / WASHER / RONDELLE / BEILAGSCHEIBE		1	
53	E08.15230	DADO / NUT / ECROU / MUT		1	

TAV. C / DRAW. C / VUE C / ZEICHN. C

SR 5100P/B

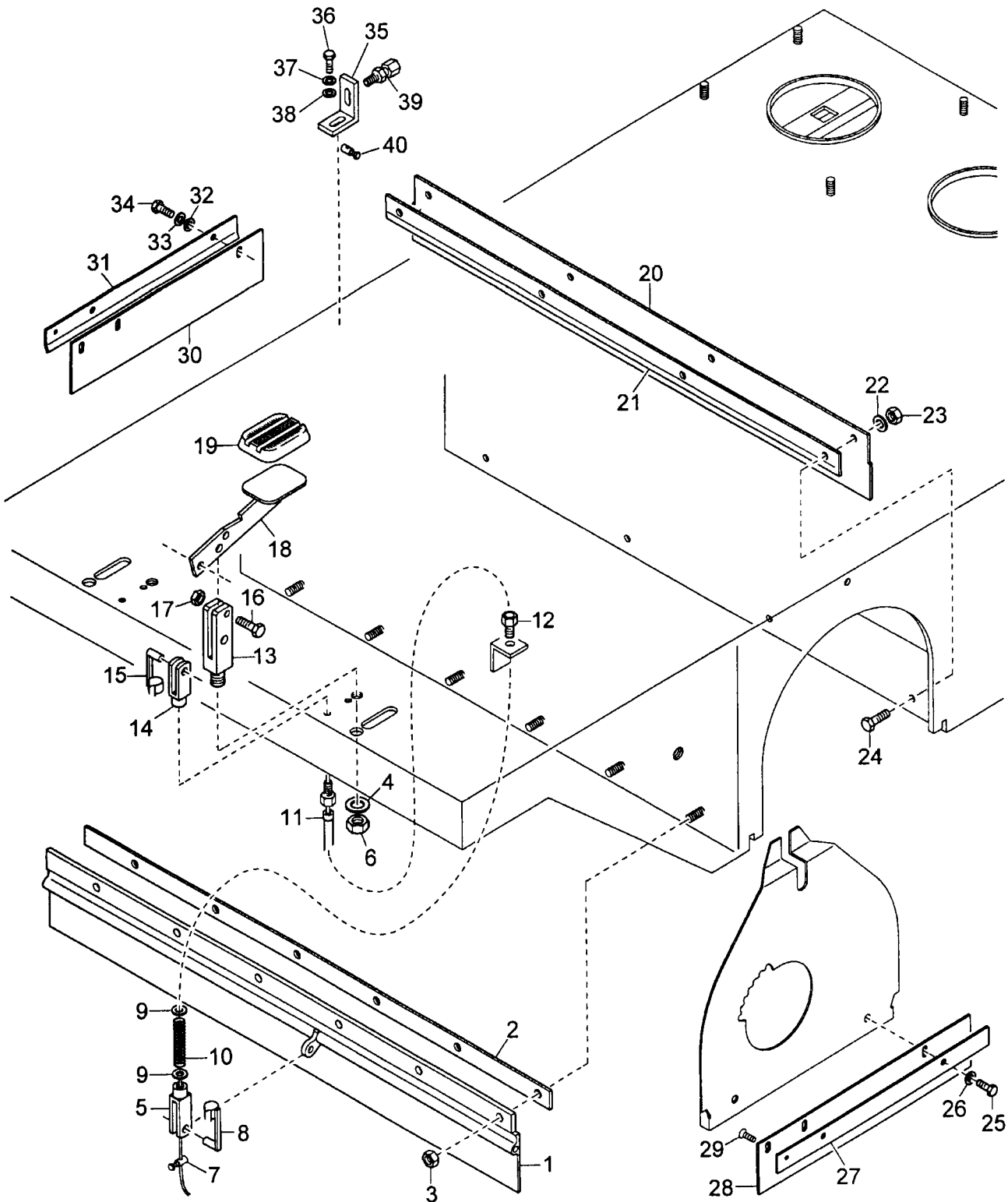


TAV. C / DRAW. C / VUE C / ZEICHN. C

POSIZ. ITEM POS. EINSAT.	CODICE CODE CODE CODE	DESCRIZIONE DESCRIPTION DESCRIPTION BEZEICHNUNG	SR 5100P/B		
			B	M	O
1	F00.65860	CASSETTO / DIRT CONTAINER / BAC A DECHETS / BEHAELTER	1	1	
2	L02.028	GANCIO / HOOK / CROCHET / HAKEN	1	1	
3	V02.061	VITE / SCREW / VIS / SCHRAUBE	2	2	
4	V09.05303	RONDELLA / WASHER / RONDELLE / BEILAGSCHEIBE	2	2	
5	V13.003	DADO / NUT / ECROU / MUT	2	2	
6	F03.69000	MANIGLIONE / HANDLE / POIGNE / HANDGRIFF	1	1	
7	D00.008	RUOTA / WHEEL / ROUE / RAD	2	2	
8	E02.051	DISTANZIALE / SPACER / ENTRETOISE / ABSTANDSSTUECK	2	2	
9	V02.07600	VITE / SCREW / VIS / SCHRAUBE	2	2	
10	V09.005	RONDELLA / WASHER / RONDELLE / BEILAGSCHEIBE	2	2	
11	V13.020	DADO / NUT / ECROU / MUT	2	2	
12	V02.08400	VITE / SCREW / VIS / SCHRAUBE	4	4	
13	V09.012	RONDELLA / WASHER / RONDELLE / BEILAGSCHEIBE	4	4	
14	V13.019	DADO / NUT / ECROU / MUT	4	4	

TAV. D / DRAW. D / VUE D / ZEICHN. D

SR 5100P/B

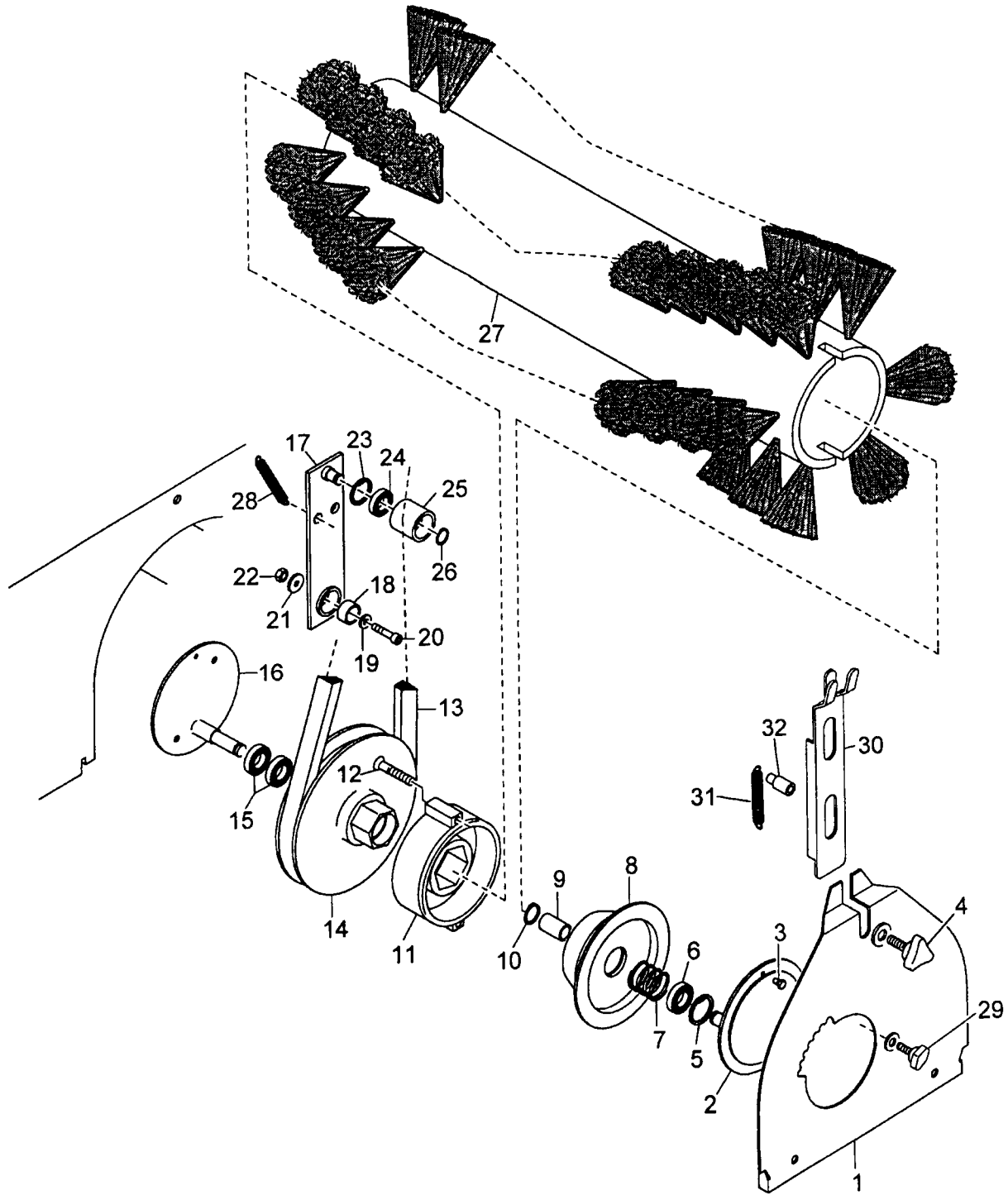


TAV. D / DRAW. D / VUE D / ZEICHN. D

POSIZ. ITEM POS. EINSAT.	CODICE CODE CODE CODE	DESCRIZIONE DESCRIPTION DESCRIPTION BEZEICHNUNG	SR 5100P/B		
			B	M	O
1	H02.30300	FLAP ANTERIORE / FRONT FLAP / BAVETTE ANT. / VORDER FLAP GUMMI	1	1	
2	F03.61400	PIATTINA / PLATE / PLAQUE / BAND	1	1	
3	V13.05900	DADO / NUT / ECROU / MUT	6	6	
4	V11.007	RONDELLA / WASHER / RONDELLE / BEILAGSCHEIBE	1	1	
5	V17.06700	FORCELLA / FORK / FOURCHETTE / GABELSTUECK	1	1	
6	V13.007	DADO / NUT / ECROU / MUT	1	1	
7	E08.010	MORSETTO / CLAMP / SERRE CABLE / BUEGEL	1	1	
8	V17.06800	CLIPS LUNGA / CIRCLIP / CLIP / KLIPP	1	1	
9	V09.002	RONDELLA / WASHER / RONDELLE / BEILAGSCHEIBE	2	2	
10	E04.04400	MOLLA / SPRING / RESSORT / FEDER	1	1	
11	E08.15150	CAVO / CABLE / CABLE / KABEL	1	1	
12	E08.006	REGISTRO / REGULATOR / VIS DE REGLAGE / REGLER	1	1	
13	H02.58400	SUPPORTO / SUPPORT / SUPPORT / HALTER	1	1	
14	V17.06700	FORCELLA / FORK / FOURCHETTE / GABELSTUECK	1	1	
15	V17.06800	CLIPS / CIRCLIP / CLIP / KLIPP	1	1	
16	V02.005	VITE / SCREW / VIS / SCHRAUBE	1	1	
17	V13.019	DADO / NUT / ECROU / MUT	1	1	
18	F03.61300	PEDALE / PEDAL / PEDALE / PEDAL	1	1	
19	H02.063	COPRIPEDALE / PEDAL COVER / HOUSSE PEDALE / PEDALDECKUNG	1	1	
20	H02.34640	FLAP POSTERIORE / REAR FLAP / BAVETTE AR / HINTERE FLAP GUMMI	1	1	
21	F03.70000	PIATTINA / PLATE / PLAQUE / BAND	1	1	
22	V09.004	RONDELLA / WASHER / RONDELLE / BEILAGSCHEIBE	4	4	
23	V13.05900	DADO / NUT / ECROU / MUT	4	4	
24	V03.003	VITE / SCREW / VIS / SCHRAUBE	4	4	
25	V02.003	VITE / SCREW / VIS / SCHRAUBE	2	2	
26	V11.004	RONDELLA / WASHER / RONDELLE / BEILAGSCHEIBE	2	2	
27	F03.70040	PIATTINA / PLATE / PLAQUE / BAND	1	1	
28	H02.34660	FLAP SX / LEFT FLAP / BAVETTE GAUCHE / LINKE FLAP GUMMI	1	1	
29	V03.004	VITE / SCREW / VIS / SCHRAUBE	2	2	
30	H02.34650	FLAP DX / RIGHT FLAP / BAVETTE DROIT / RECHTE FLAP GUMMI	1	1	
31	F03.69970	PIATTINA / PLATE / PLAQUE / BAND	1	1	
32	V09.004	RONDELLA / WASHER / RONDELLE / BEILAGSCHEIBE	2	2	
33	V11.004	RONDELLA / WASHER / RONDELLE / BEILAGSCHEIBE	2	2	
34	V02.003	VITE / SCREW / VIS / SCHRAUBE	2	2	
35	F03.33600	STAFFA / HANGER / ETRIER / BÜGEL		1	
36	V02.004	VITE / SCREW / VIS / SCHRAUBE		1	
37	V09.022	RONDELLA / WASHER / RONDELLE / BEILAGSCHEIBE		1	
38	V11.004	RONDELLA / WASHER / RONDELLE / BEILAGSCHEIBE		1	
39	E08.006	REGISTRO / REGULATOR / VIS DE REGLAGE / REGLER		1	
40	E08.010	MORSETTO / CLAMP / CRAMPON / KLEMM		1	

TAV. E / DRAW. E / VUE E / ZEICHN. E

SR 5100P/B

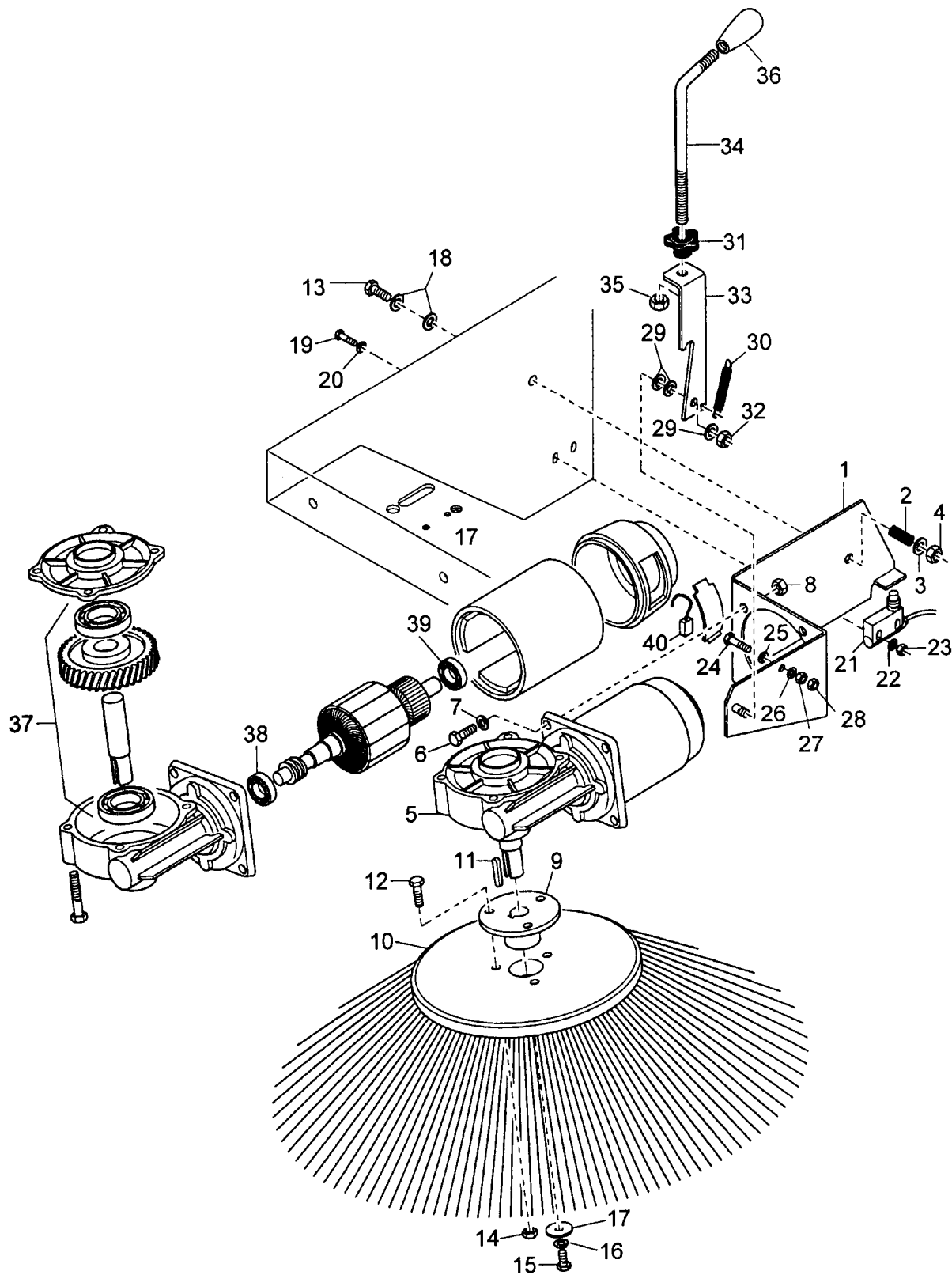


TAV. E / DRAW. E / VUE E / ZEICHN. E

POSIZ. ITEM POS. EINSAT.	CODICE CODE CODE CODE	DESCRIZIONE DESCRIPTION DESCRIPTION BEZEICHNUNG	SR 5100P/B		
			B	M	O
1	F03.68880	PORTELLO / COVER / COUVERCLE / DECKEL	1	1	
2	E02.68860	PERNO / PIN / AXE / STIFT	1	1	
3	V04.05020	VITE / SCREW / VIS / SCHRAUBE	1	1	
4	L02.16060	VOLANTINO / KNOB / MOLETTE / HANDRAD	1	1	
5	V14.016	SEEGER / RETAINING RING / CIRCLIPS / SICHERUNGSRING	1	1	
6	E00.023	CUSCINETTO / BALL BEARING / ROULEMENT / LAGER	1	1	
7	E04.09460	MOLLA / SPRING / RESSORT / FEDER	1	1	
8	E02.68870	MOZZO SX / LEFT HUB / MOYEU GAUCHE / LINKE NABE	1	1	
9	E05.12100	DISTANZIALE / SPACER / ENTRETOISE / ABSTANDSTUECK	1	1	
10	V14.006	SEEGER / RETAINING RING / CIRCLIPS / SICHERUNGSRING	1	1	
11	E02.68880	MOZZO DX / RIGHT HUB / MOYEU DROIT / RECHTE NABE	1	1	
12	V05.01403	VITE / SCREW / VIS / SCHRAUBE	2	2	
13	H00.020	CINGHIA / BELT / COURROIE / RIEMEN	1	1	
14	E03.18320	PULEGGIA / PULLEY / POULIE / SCHEIBE	1	1	
15	E00.023	CUSCINETTO / BALL BEARING / ROULEMENT / LAGER	2	2	
16	E02.68860	PERNO / PIN / AXE / STIFT	1	1	
17	F03.69860	LEVA / LEVER / LEVIER / HEBEL	1	1	
18	E01.007	BOCCOLA / BUSHING / BAGUE / BUECHSE	1	1	
19	V11.005	RONDELLA / WASHER / RONDELLE / BEILAGSCHEIBE	1	1	
20	V02.013	VITE / SCREW / VIS / SCHRAUBE	1	1	
21	V09.005	RONDELLA / WASHER / RONDELLE / BEILAGSCHEIBE	1	1	
22	V13.005	DADO / NUT / ECROU / MUT	1	1	
23	V14.013	SEEGER / RETAINING RING / CIRCLIPS / SICHERUNGSRINGT	1	1	
24	E00.007	CUSCINETTO / BALL BEARING / ROULEMENT / LAGER	1	1	
25	E02.68910	RULLO / ROLLER / ROULEAU / ROLLE	1	1	
26	V14.007	SEEGER / RETAINING RING / CIRCLIPS / SICHERUNGSRINGT	1	1	
27	B00.04800	SPAZZ. CENTRALE / CENTRAL BRUSH / BROSSSE CENT. / ZENTRALBUERSTE	1	1	
28	E04.09490	MOLLA / SPRING / RESSORT / FEDER	1	1	
29	L02.16050	VOLANTINO / KNOB / MOLETTE / HANDRAD	4	4	
30	F03.70060	PIASTRINA / PLATE / PLAQUE / PLATTE	1	1	
31	E04.05200	MOLLA / SPRING / RESSORT / FEDER	1	1	
32	E05.19170	DISTANZIALE / WASHER / RONDELLE / BEILAGSCHEIBE	2	2	

TAV. F / DRAW. F / VUE F / ZEICHN. F

SR 5100P/B

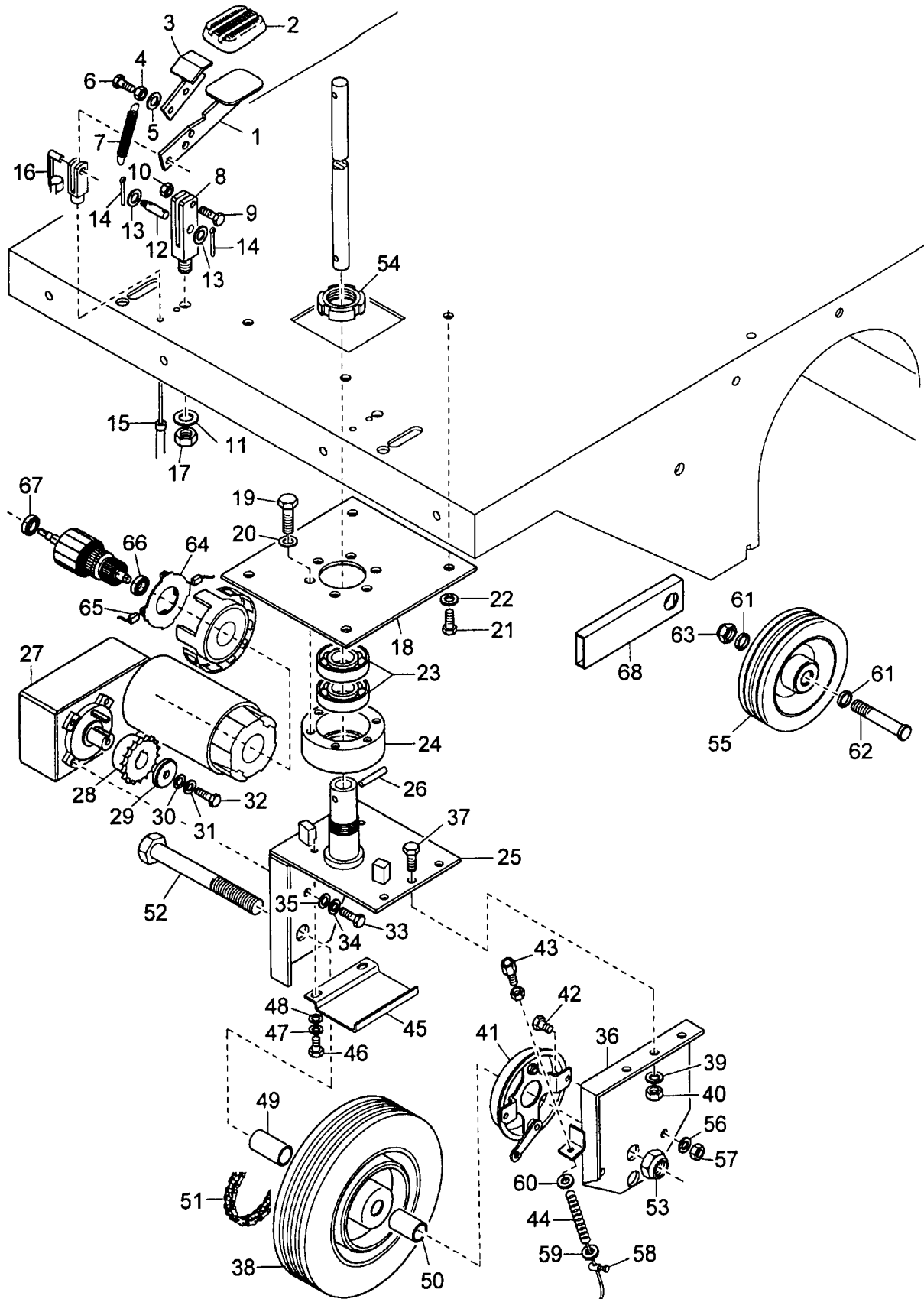


TAV. F / DRAW. F / VUE F / ZEICHN. F

POSIZ. ITEM POS. EINSAT.	CODICE CODE CODE CODE	DESCRIZIONE DESCRIPTION DESCRIPTION BEZEICHNUNG	SR 5100P/B		
			B	M	O
1	F03.70010	STAFFA / BRACKET / SUPPORT / BUEGEL DX	1	1	
1	F03.70020	STAFFA / BRACKET / SUPPORT / BUEGEL SX	1	1	
2	E04.017	MOLLA / SPRING / RESSORT / FEDER	1	1	
3	V09.019	RONDELLA / WASHER / RONDELLE / BEILAGSCHEIBE	1	1	
4	V13.021	DADO / NUT / ECROU / MUT	1	1	
5	A05.01600	MOTORID. / REDUCT. GEAR / MOTOREDUC. / VERMINDERUNGSGETRIEBE	1	1	
6	V02.004	VITE / SCREW / VIS / SCHRAUBE	4	4	
7	V09.004	RONDELLA / WASHER / RONDELLE / BEILAGSCHEIBE	4	4	
8	V13.05900	DADO / NUT / ECROU / MUT	4	4	
9	V02.42900	MOZZO / HUB / MOYEU / NABE	1	1	
10	B01.001	SPAZZOLA / BRUSH / BROUSSE / BUERSTE	1	1	
11	V17.07000	LINGUETTA / TAB / CLAVETTE / KEIL	1	1	
12	V02.003	VITE / SCREW / VIS / SCHRAUBE	3	3	
13	V02.12800	VITE / SCREW / VIS / SCHRAUBE	1	1	
14	V13.05900	DADO / NUT / ECROU / MUT	3	3	
15	V02.11910	VITE / SCREW / VIS / SCHRAUBE	1	1	
16	V11.004	RONDELLA / WASHER / RONDELLE / BEILAGSCHEIBE	1	1	
17	V09.012	RONDELLA / WASHER / RONDELLE / BEILAGSCHEIBE	1	1	
18	V09.027	RONDELLA / WASHER / RONDELLE / BEILAGSCHEIBE	2	2	
19	V02.09503	VITE / SCREW / VIS / SCHRAUBE	2	2	
20	V09.05703	RONDELLA / WASHER / RONDELLE / BEILAGSCHEIBE	2	2	
21	G05.10300	MICROINTER. / MICROSWITCH / MICROINTERUPTEUR / MICROSCHALTER	1	1	
22	V09.002	RONDELLA / WASHER / RONDELLE / BEILAGSCHEIBE	2	2	
23	V13.002	DADO / NUT / ECROU / MUT	2	2	
24	V02.11810	VITE / SCREW / VIS / SCHRAUBE	1	1	
25	V09.002	RONDELLA / WASHER / RONDELLE / BEILAGSCHEIBE	1	1	
26	V19.002	RONDELLA / WASHER / RONDELLE / BEILAGSCHEIBE	1	1	
27	V13.002	DADO / NUT / ECROU / MUT	1	1	
28	V13.06100	DADO / NUT / ECROU / MUT	1	1	
29	V09.022	RONDELLA / WASHER / RONDELLE / BEILAGSCHEIBE	3	3	
30	E04.05200	MOLLA / SPRING / RESSORT / FEDER	1	1	
31	L02.13000	VOLANTINO / KNOB / MOLETTE / HANDRAD	1	1	
32	V13.05900	DADO / NUT / ECROU / MUT	1	1	
33	F03.68980	LEVA / LEVER / LEVIER / HEBEL DX	1	1	
33	F03.68990	LEVA / LEVER / LEVIER / HEBEL SX	1	1	
34	E02.66400	TIRANTE / TENSION ROD / TIRANT / ZUGSTANGE	1	1	
35	V13.020	DADO / NUT / ECROU / MUT	1	1	
36	L02.02400	VOLANTINO / KNOB / MOLETTE / HANDRAD	1	1	
37	A11.00901	ALBERO / SHAFT / ARBRE / WELLE	1	1	
38	E00.030	CUSCINETTO / BALL BEARING / ROULEMENT / LAGER	1	1	
39	E00.008	CUSCINETTO / BALL BEARING / ROULEMENT / LAGER	1	1	
40	A11.04500	SPAZZOLA / BALAI / BRUSH SHOE / GLEITKONTAKTBÜRSTE	2	2	

TAV. G / DRAW. G / VUE G / ZEICHN. G

SR 5100P/B

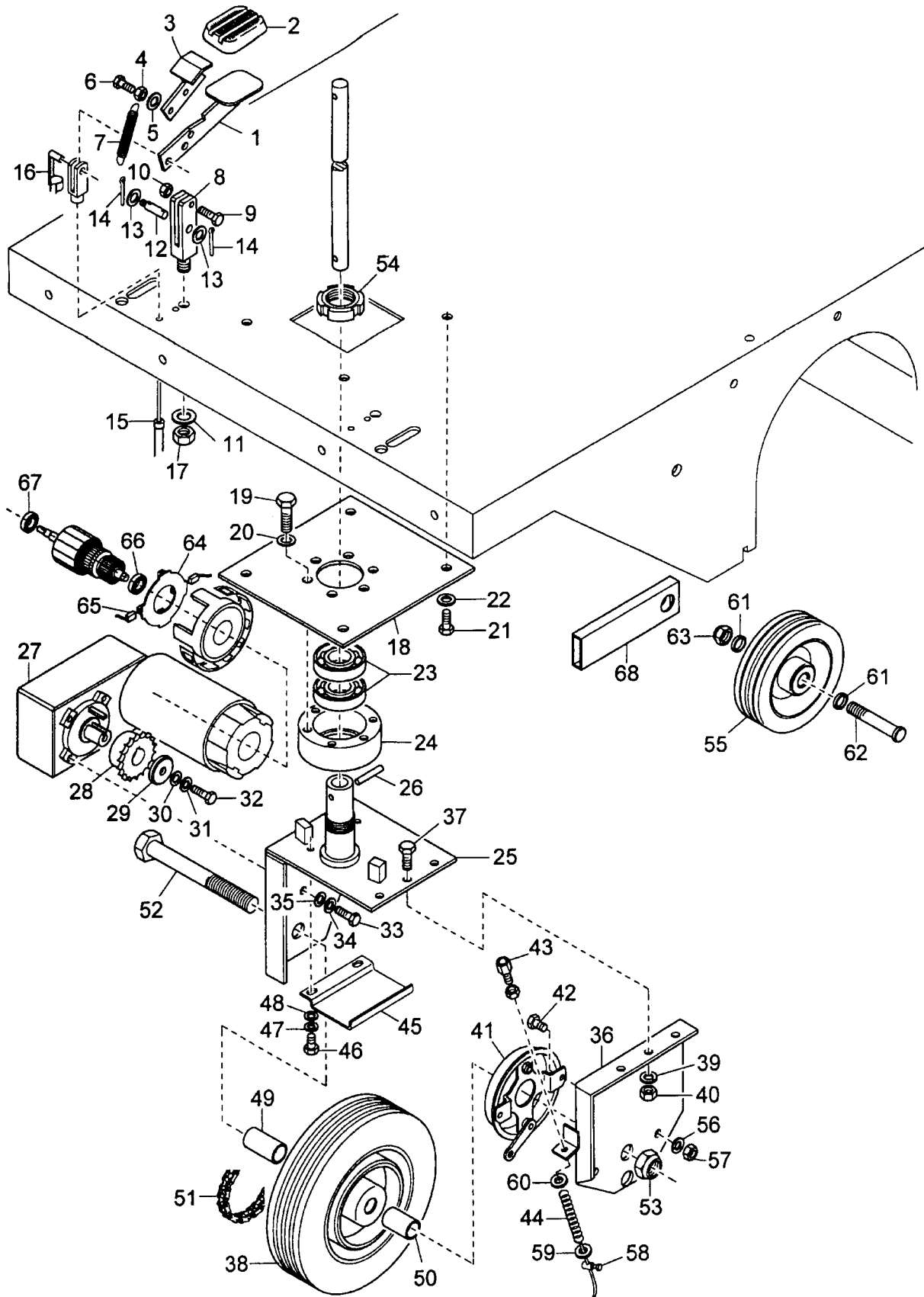


TAV. G / DRAW. G / VUE G / ZEICHN. G

POSIZ. ITEM POS. EINSAT.	CODICE CODE CODE CODE	DESCRIZIONE DESCRIPTION DESCRIPTION BEZEICHNUNG	SR 5100P/B		
			B	M	O
1	F03.61300	PEDALE / PEDAL / PEDALE / PEDAL	1	1	
2	H02.063	COPRIPEDALE / PEDAL COVER / HOUSSE PEDALE / PEDALDECKUNG	1	1	
3	F03.63200	PEDALE / PEDAL / PEDALE / PEDAL	1	1	
4	V13.003	DADO / NUT / ECROU / MUT	1	1	
5	V11.003	RONDELLA / WASHER / RONDELLE / BELAGSCHEIBE	1	1	
6	V02.10503	VITE / SCREW / VIS / SCHRAUBE	1	1	
7	E04.07400	MOLLA / SPRING / RESSORT / FEDER	1	1	
8	E02.58400	SUPPORTO / SUPPORT / SUPPORT / HALTER	1	1	
9	V02.005	VITE / SCREW / VIS / SCHRAUBE	1	1	
10	V13.019	DADO / NUT / ECROU / MUT	1	1	
11	V11.007	RONDELLA / WASHER / RONDELLE / BELAGSCHEIBE	1	1	
12	E02.58500	PERNO / PIN / AXE / STIFT	1	1	
13	V09.005	RONDELLA / WASHER / RONDELLE / BELAGSCHEIBE	2	2	
14	V15.01203	COPIGLIA / SPLIT PIN / GOUPILLE / SPLINT	2	2	
15	E08.12601	CAVO / CABLE / CABLE / KABEL	1	1	
16	V17.008	CLIP / CIRCLIP / CLIP / KLIPP	1	1	
17	V13.007	DADO / NUT / ECROU / MUT	1	1	
18	F03.61700	PIASTRA / PLATE / PLAQUE / PLATTE	1	1	
19	V02.014	VITE / SCREW / VIS / SCHRAUBE	6	6	
20	V09.005	RONDELLA / WASHER / RONDELLE / BELAGSCHEIBE	6	6	
21	V02.013	VITE / SCREW / VIS / SCHRAUBE	4	4	
22	V11.005	RONDELLA / WASHER / RONDELLE / BELAGSCHEIBE	4	4	
23	E00.06700	CUSCINETTO / BALL BEARING / ROULEMENT / LAGER	2	2	
24	E02.65900	FLANGIA / FLANGE / FLASQUE / FLANSCH	1	1	
25	F04.19700	SUPPORTO / SUPPORT / SUPPORT / HALTER	1	1	
26	V17.08400	SPINA / PIN / GOUPILLE / STIFT	1	1	
27	A05.01500	MOTORID. / REDUCT. GEAR / MOTOREDEC. / VERMINDERUNGSGETRIEBE	1	1	
28	E06.05100	PIGNONE / PIGNON / PIGNON / RITZEL	1	1	
29	V09.012	RONDELLA / WASHER / RONDELLE / BELAGSCHEIBE	1	1	
30	V09.022	RONDELLA / WASHER / RONDELLE / BELAGSCHEIBE	1	1	
31	V11.004	RONDELLA / WASHER / RONDELLE / BELAGSCHEIBE	1	1	
32	V02.004	VITE / SCREW / VIS / SCHRAUBE	1	1	
33	V02.003	VITE / SCREW / VIS / SCHRAUBE	4	4	
34	V11.004	RONDELLA / WASHER / RONDELLE / BELAGSCHEIBE	4	4	
35	V09.004	RONDELLA / WASHER / RONDELLE / BELAGSCHEIBE	4	4	
36	F03.61800	SUPPORTO / SUPPORT / SUPPORT / HALTER	1	1	
37	V02.013	VITE / SCREW / VIS / SCHRAUBE	3	3	
38	D00.06201	RUOTA / WHEEL / ROUE / RAD	1	1	
39	V11.005	RONDELLA / WASHER / RONDELLE / BELAGSCHEIBE	3	3	
40	V13.005	DADO / NUT / ECROU / MUT	3	3	
41	L04.01600	FRENO / BRAKE / FREIN / BREMSE	1	1	
42	V02.013	VITE / SCREW / VIS / SCHRAUBE	2	2	
43	E08.006	REGISTRO / REGULATOR / VIS DE REGLAGE / REGLER	1	1	
44	E04.04400	MOLLA / SPRING / RESSORT / FEDER	1	1	
45	F03.61600	PROTEZIONE / GUARD / PROTECTION / SCHUTZ	1	1	
46	V01.007	VITE / SCREW / VIS / SCHRAUBE	2	2	

TAV. G / DRAW. G / VUE G / ZEICHN. G

SR 5100P/B

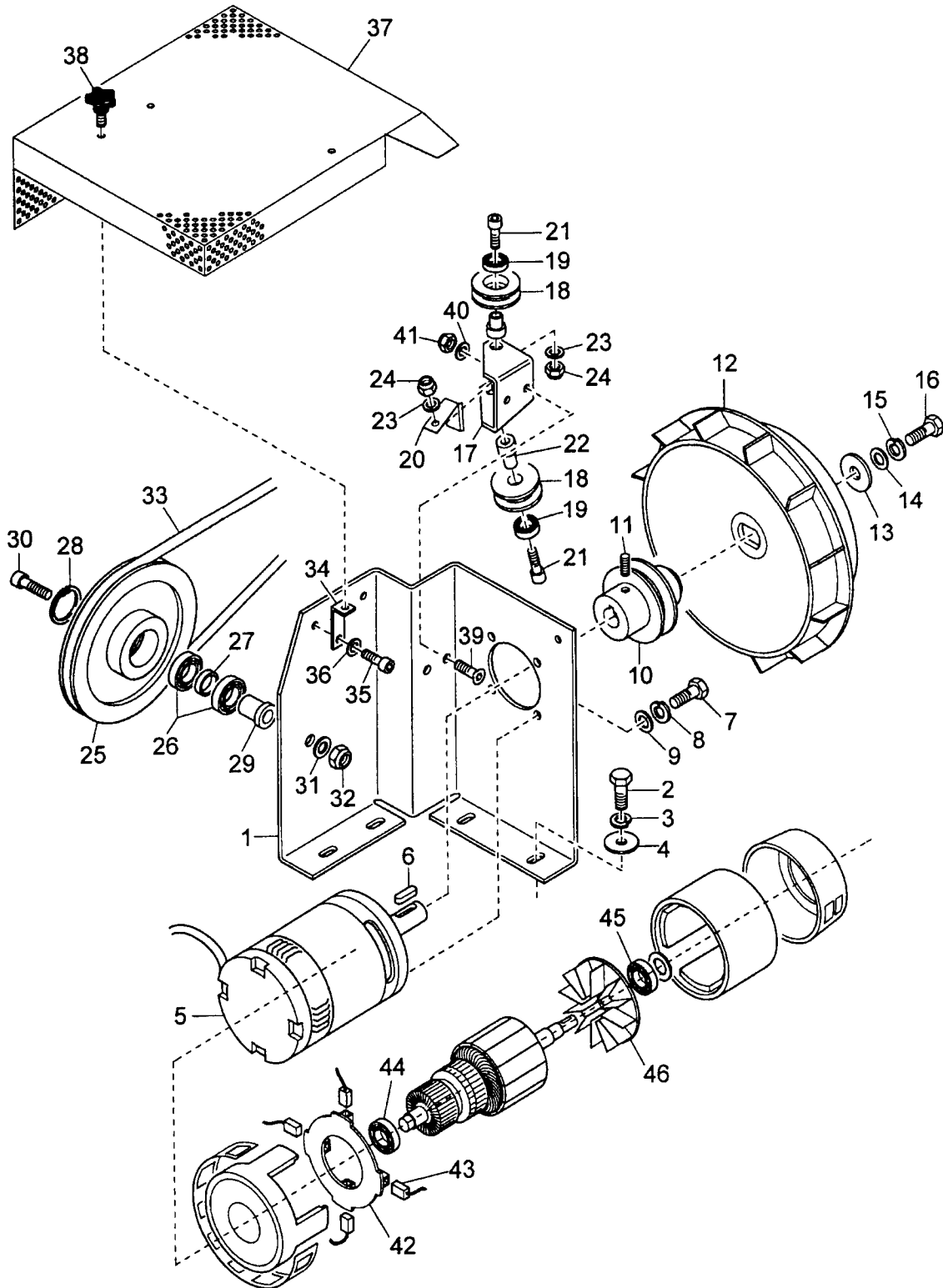


TAV. G / DRAW. G / VUE G / ZEICHN. G

POSIZ. ITEM POS. EINSAT.	CODICE CODE CODE CODE	DESCRIZIONE DESCRIPTION DESCRIPTION BEZEICHNUNG	SR 5100P/B		
			B	M	O
47	V11.004	RONDELLA / WASHER / RONDELLE / BEILAGSCHEIBE	2	2	
48	V09.004	RONDELLA / WASHER / RONDELLE / BEILAGSCHEIBE	2	2	
49	E02.66600	DISTANZIALE / SPACER / ENTRETOISE / ABSTANDSSTUECK	1	1	
50	E02.66500	DISTANZIALE / SPACER / ENTRETOISE / ABSTANDSSTUECK	1	1	
51	E07.04000	CATENA / CHAIN / CHAINE / KETTE	1	1	
52	E02.66700	PERNO / PIN / AXE / STIFT	1	1	
53	V13.09400	DADO / NUT / ECROU / MUT	1	1	
54	V13.035	GHIERA / NUT / ECROU / RING	1	1	
55	D00.06680	RUOTA / WHEEL / ROUE / RAD	2	2	
56	V11.005	RONDELLA / WASHER / RONDELLE / BEILAGSCHEIBE	2	2	
57	V13.005	DADO / NUT / ECROU / MUT	2	2	
58	E08.018	MORSETTO / CLAMP / SERRE CABLE / BUEGEL	1	1	
59	V09.003	RONDELLA / WASHER / RONDELLE / BEILAGSCHEIBE	1	1	
60	V09.002	RONDELLA / WASHER / RONDELLE / BEILAGSCHEIBE	1	1	
61	E05.024	DISTANZIALE / SPACER / ENTRETOISE / ABSTANDSSTUECK	4	4	
62	E02.69110	PERNO / PIN / AXE / STIFT	2	2	
63	V13.07900	DADO / NUT / ECROU / MUT	2	2	
64	A11.04600	PORTASPAZZOLA / PORTE-BALAI / BRUSHES HOLDER / KOHLENHALTER BÜRSTENTRÄGER	1	1	
65	A11.04700	SPAZZOLA / BALAI / BRUSH SHOE/ GLEITKONTAKTBÜRSTE	2	2	
66	E00.06900	CUSCINETTO / BALL BEARING / ROULEMENT / LAGER	1	1	
67	E00.07000	CUSCINETTO / BALL BEARING / ROULEMENT / LAGER	3	3	
68	F01.21770/3	SUPPORTO RUOTA / SUPPORT / SUPPORT / HALTER	1	1	

TAV. H / DRAW. H / VUE H / ZEICHN. H

SR 5100P/B

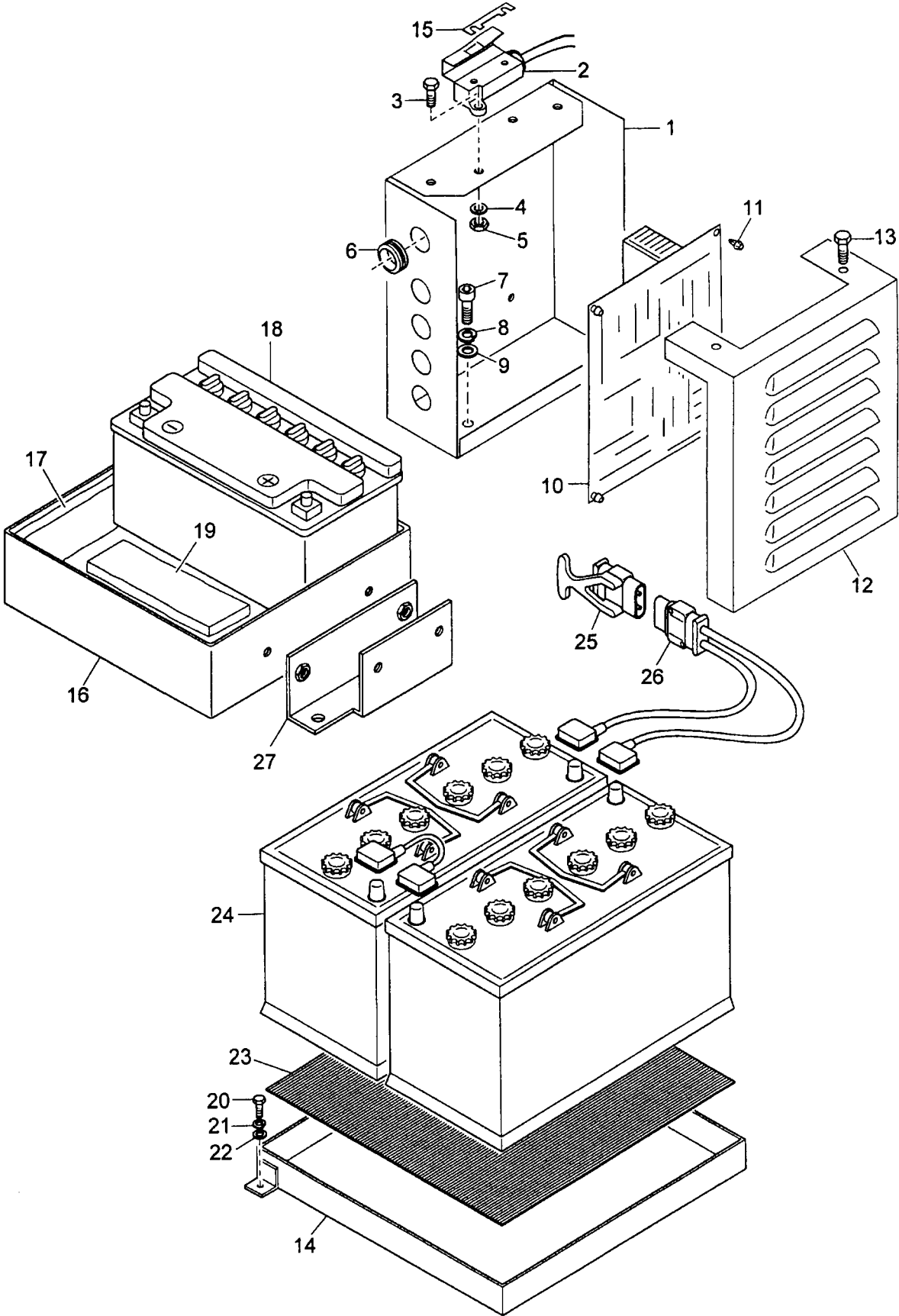


TAV. H / DRAW. H / VUE H / ZEICHN. H

POSIZ. ITEM POS. EINSAT.	CODICE CODE CODE CODE	DESCRIZIONE DESCRIPTION DESCRIPTION BEZEICHNUNG	SR 5100P/B		
			B	M	O
1	F03.67200	STAFFA / BRAKET / SUPPORT / BUEGEL	1		
2	V02.003	VITE / SCREW / VIS / SCHRAUBE	4		
3	V11.004	RONDELLA / WASHER / RONDELLE / BEILAGSCHEIBE	4		
4	V09.012	RONDELLA / WASHER / RONDELLE / BEILAGSCHEIBE	4		
5	A00.05801	MOTORE / FAN MOTOR / MOTEUR VENTIL. / VENTILATORMOTOR	1		
6	V17.041	CHIAVETTA / KEY / CLAVETTE / KEILNUT	1		
7	V02.003	VITE / SCREW / VIS / SCHRAUBE	4		
8	V11.004	RONDELLA / WASHER / RONDELLE / BEILAGSCHEIBE	4		
9	V09.004	RONDELLA / WASHER / RONDELLE / BEILAGSCHEIBE	4		
10	E03.17900	PULEGGIA / PULLEY / POULIE / SCHEIBE	1		
11	V08.001	GRANO / DOWEL / GOUPILLE / STIFT	1		
12	B03.001	VENTILATORE / FAN / VENTILATEUR / VENTILATORFLUEGEL	1		
13	E05.027	DISTANZIALE / SPACER / ENTRETOISE / ABSTANDSSTUECK	1		
14	V09.022	RONDELLA / WASHER / RONDELLE / BEILAGSCHEIBE	1		
15	V11.004	RONDELLA / WASHER / RONDELLE / BEILAGSCHEIBE	1		
16	V02.005	VITE / SCREW / VIS / SCHRAUBE	1		
17	F03.52900	STAFFA / BRAKET / SUPPORT / BUEGEL	1		
18	E03.18100	PULEGGIA / PULLEY / POULIE / SCHEIBE	2		
19	E00.001	CUSCINETTO / BALL BEARING / ROULEMENT / LAGER	2		
20	F03.35500	PIASTRINA / PLATE / PLAQUE / LASCHE	1		
21	V04.03700	VITE / SCREW / VIS / SCHRAUBE	2		
22	E02.63200	PERNO / PIN / AXE / STIFT	2		
23	V09.006	RONDELLA / WASHER / RONDELLE / BEILAGSCHEIBE	2		
24	V13.021	DADO / NUT / ECROU / MUT	2		
25	E03.18000	PULEGGIA / PULLEY / POULIE / SCHEIBE	1		
26	E00.001	CUSCINETTO / BALL BEARING / ROULEMENT / LAGER	2		
27	E05.17200	DISTANZIALE / SPACER / ENTRETOISE / ABSTANDSSTUECK	1		
28	V14.003	SEEGER / RETAINING RING / CIRCLIPS / SICHERUNGSRING	2		
29	E02.57900	ALBERO / SHAFT / ARBRE / WELLE	1		
30	V04.04200	VITE / SCREW / VIS / SCHRAUBE	1		
31	V09.006	RONDELLA / WASHER / RONDELLE / BEILAGSCHEIBE	1		
32	V13.08603	DADO / NUT / ECROU / MUT	1		
33	H00.13900	CINGHIA / BELT / COURROIE / RIEMEN	1		
34	F03.62100	STAFFA / BRAKET / SUPPORT / BUEGEL	3		
35	V02.002	VITE / SCREW / VIS / SCHRAUBE	3		
36	V09.004	RONDELLA / WASHER / RONDELLE / BEILAGSCHEIBE	3		
37	F00.62000	PROTEZIONE / GUARD / PROTECTION / SCHUTZ	1		
38	L02.16020	VOLANTINO / KNOB / MOLETTE / HANDRAD	3		
39	V03.003	VITE / SCREW / VIS / SCHRAUBE	2		
40	V09.022	RONDELLA / WASHER / RONDELLE / BEILAGSCHEIBE	2		
41	V13.019	DADO / NUT / ECROU / MUT	2		
42	A07.06100	PORTASPAZZOLA / PORTE-BALAI / BRUSHES HOLDER / KOHLENHALTER BÜRSTENTRÄGER	1		
43	A11.00800	SPAZZOLA / BALAI / BRUSH SHOE / GLEITKONTAKTBÜRSTE	4		
44	E00.06100	CUSCINETTO / BALL BEARING / ROULEMENT / LAGER	1		
45	E00.07500	CUSCINETTO / BALL BEARING / ROULEMENT / LAGER	1		
46	A07.02800	VENTOLA / VENTIL / FAN / VENTILATORFLÜGEL	1		

TAV. K / DRAW. K / VUE K / ZEICHN. K

SR 5100P/B

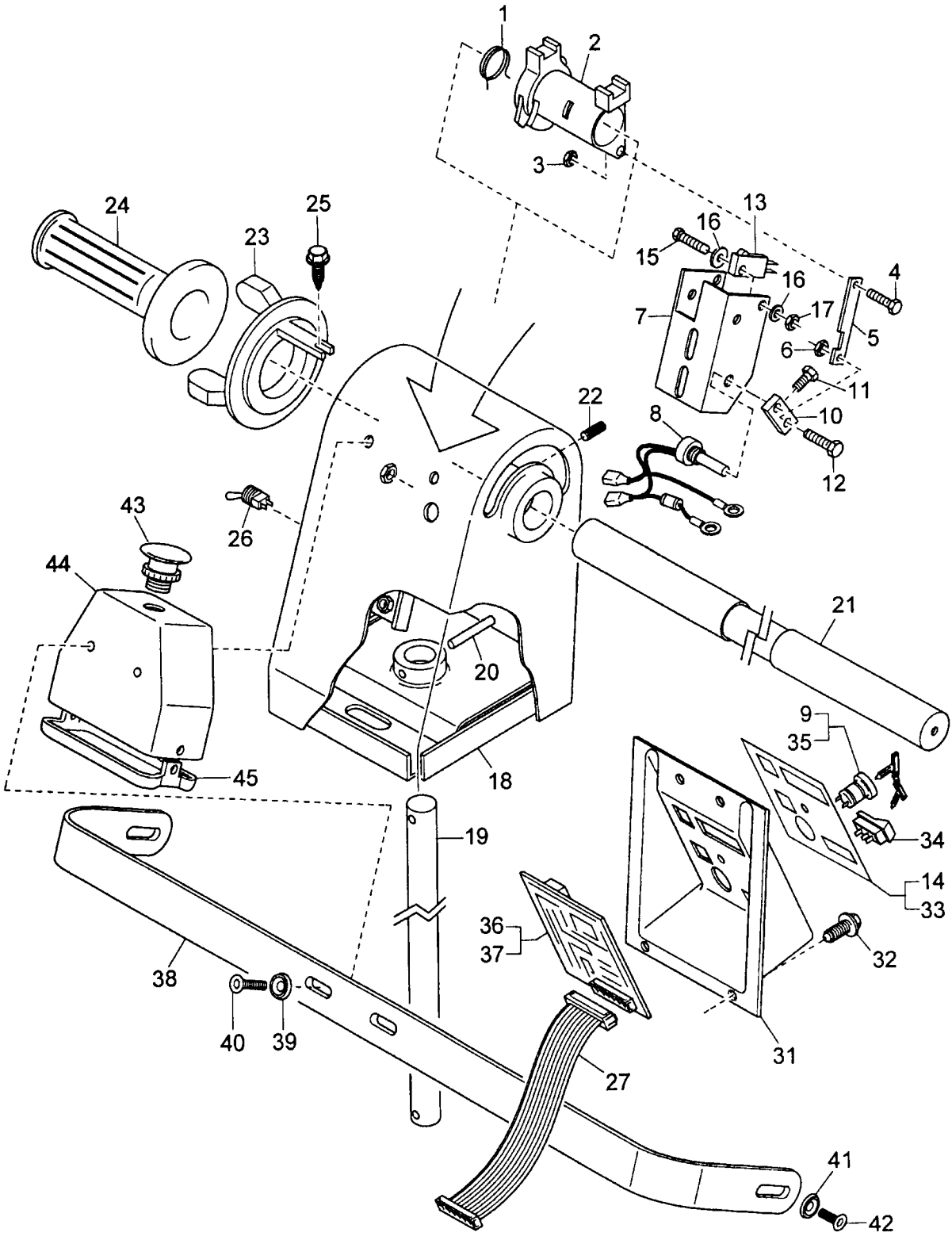


TAV. K / DRAW. K / VUE K / ZEICHN. K

POSIZ. ITEM POS. EINSAT.	CODICE CODE CODE CODE	DESCRIZIONE DESCRIPTION DESCRIPTION BEZEICHNUNG	SR 5100P/B		
			B	M	O
1	F03.70110	CASSETTA / BOX / CAISSON / KASTEN	1	1	
2	G11.05000	PORTAFUSIBILE / FUSE HOLDER / PORTEFUSIBLE / SICHERUNGSTRAEGER	1	1	
3	V02.023	VITE / SCREW / VIS / SCHRAUBE	2	2	
4	V11.003	RONDELLA / WASHER / RONDELLE / BEILAGSCHEIBE	2	2	
5	V13.003	DADO / NUT / ECROU / MUT	2	2	
6	G07.01300	PASSOCAVO / CABLE GUIDE / GUIDE CABLE / KABELFUEHRUNG	5	5	
7	V02.003	VITE / SCREW / VIS / SCHRAUBE	2	2	
8	V11.004	RONDELLA / WASHER / RONDELLE / BEILAGSCHEIBE	2	2	
9	V09.022	RONDELLA / WASHER / RONDELLE / BEILAGSCHEIBE	2	2	
10	G02.12500	SCHEDA / CARD / PLATINE / KARTE	1	1	
11	L02.13700	DISTANZIALE / SPACER / ENTRETOISE / ABSTANDSSTUECK	4	4	
12	F03.70100	COPERCHIO / LID-COVER / COUVERCLE / DECKEL	1	1	
13	V05.00703	VITE / SCREW / VIS / SCHRAUBE	2	2	
14	F03.62300	CONTENITORE / CONTAINER / BAC / BEHAELTER	1		
15	G11.05600	FUSIBILE / FUSE / FUSIBLE / SICHERUNG	1	1	
16	H01.26260	CONTENITORE / CONTAINER / BAC / BEHAELTER		1	
17	H02.16100	GUARNIZIONE / GASKET / JOINT / DICHTUNG		1	
18	G00.04510	BATTERIA / BATTERY / BATTERIE / BATTERIE		1	
19	H02.050	GUARNIZIONE / GASKET / JOINT / DICHTUNG		1	
20	V02.003	VITE / SCREW / VIS / SCHRAUBE	2		
21	V11.004	RONDELLA / WASHER / RONDELLE / BEILAGSCHEIBE	2		
22	V09.022	RONDELLA / WASHER / RONDELLE / BEILAGSCHEIBE	2		
23	H02.30900	TAPPETINO / MAT-BOARD / TAPIS / TEPPICH	1		
24	G00.03700	BATTERIA / BATTERY / BATTERIE / BATTERIE	2		
25	G03.01200	PRESA MASCHIO / PLUG / PRISE / STECKER	1		
26	G03.01000	SPINA FEMMINA / PLUG / PRISE / STECKER	1		
27	F03.70090	STAFFA / BRAKET / SUPPORT / BUEGEL	1		

TAV. L / DRAW. L / VUE L / ZEICHN. L

SR 5100P/B



TAV. L / DRAW. L / VUE L / ZEICHN. L

POSIZ. ITEM POS. EINSAT.	CODICE CODE CODE CODE	DESCRIZIONE DESCRIPTION DESCRIPTION BEZEICHNUNG	SR 5100P/B		
			B	M	O
1	E04.08100	MOLLA / SPRING / RESSORT / FEDER	1	1	
2	L02.13300	CAMMA / CAM / CAME / KAMM	1	1	
3	V13.018	DADO / NUT / ECROU / MUT	1	1	
4	V02.09023	VITE / SCREW / VIS / SCHRAUBE	1	1	
5	F03.46600	LEVA / LEVER / LEVIER / HEBEL	1	1	
6	V13.018	DADO / NUT / ECROU / MUT	1	1	
7	F03.46700	STAFFA / BRAKET / SUPPORT / BUEGEL	1	1	
8	G02.19720	POTENZIOMETRO / POTENTIOMETER / POTENTIOMETRE / POTENTIOMETER	1	1	
9	G05.013	INTERRUTTORE / SWITCH / INTERUPTEUR / SCHALTER	1		
10	F03.43400	BIELLA / CONNECTING ROD / BIELLE / FLUEGELSTANGE	1	1	
11	V02.001	VITE / SCREW / VIS / SCHRAUBE	1	1	
12	V02.023	VITE / SCREW / VIS / SCHRAUBE	1	1	
13	G05.04900	MICROINTER. / MICROSWITCH / MICROINTERUPTEUR / MICROSCHALTER	2	2	
14	P00.14500	ADESIVO / ADHESIVE / ADHESIF / KLEBSTREIFEN	1		
15	V02.09803	VITE / SCREW / VIS / SCHRAUBE	4	4	
16	V09.001	RONDELLA / WASHER / RONDELLE / BEILAGSCHEIBE	8	8	
17	V13.06000	DADO / NUT / ECROU / MUT	4	4	
18	F04.21280	MANUBRIO / HANDLE / GUIDON / LENKER	1	1	
19	E02.68890	ASTA / PUSHROD / TIRANT / STANGE	1	1	
20	V17.08400	SPINA / PIN / GOUPILLE / STIFT	1	1	
21	E02.68000	MANOPOLA / KNOB POIGNEE / DREHKNOPF	1	1	
22	V08.01502	GRANO / DOWEL / GOUPILLE / STIFT	2	2	
23	L02.13200	COMANDO / CONTROL / COMMANDE / ANTRIEB	2	2	
24	L02.15500	MANOPOLA / KNOB POIGNEE / DREHKNOPF	2	2	
25	V05.001	VITE / SCREW / VIS / SCHRAUBE	2	2	
26	G05.10700	INTERRUTTORE / SWITCH / INTERUPTEUR / SCHALTER	1	1	
27	G12.00800	CONTATTO / CONTACT / CONTACT / CONTACT	1	1	
31	H01.24400	PLANCIA / PANEL / PLANCHE / PANEEL	1	1	
32	V05.00703	VITE / SCREW / VIS / SCHRAUBE	4	4	
33	P00.33360	ADESIVO / ADHESIVE / ADHESIF / KLEBSTREIFEN		1	
34	G05.02300	INTERRUTTORE / SWITCH / INTERUPTEUR / SCHALTER	1	1	
35	G05.11110	INTERRUTTORE / SWITCH / INTERUPTEUR / SCHALTER		1	
36	G02.12600	SCHEDA / CARD / PLATINE / KARTE	1		
37	G02.13650	SCHEDA / CARD / PLATINE / KARTE		1	
38	F03.70050	PROTEZIONE / GUARD / PROTECTION / SCHUTZ	1	1	
39	V11.02200	RONDELLA / WASHER / RONDELLE / BEILAGSCHEIBE	2	2	
40	V03.004	VITE / SCREW / VIS / SCHRAUBE	2	2	
41	V11.02200	RONDELLA / WASHER / RONDELLE / BEILAGSCHEIBE	2	2	
42	V03.004	VITE / SCREW / VIS / SCHRAUBE	2	2	
43		PULSANTE EMERGENZA /	1	1	
44	H01.26220	CARTER PULSANTE EMERGENZA /	1	1	
45	H01.26350	CHIUSURA CARTER /	1	1	

Cod. S32K5100 1° 07-97



KENT

The Kent Company
2310 Industrial Parkway P.O. BOX 1665
Elkhart IN 46515 U.S.A.
Tel. (219)293-8661/(800)334-1083
Fax (219)295-8610/Telex 25-8331 KENT CO EKR