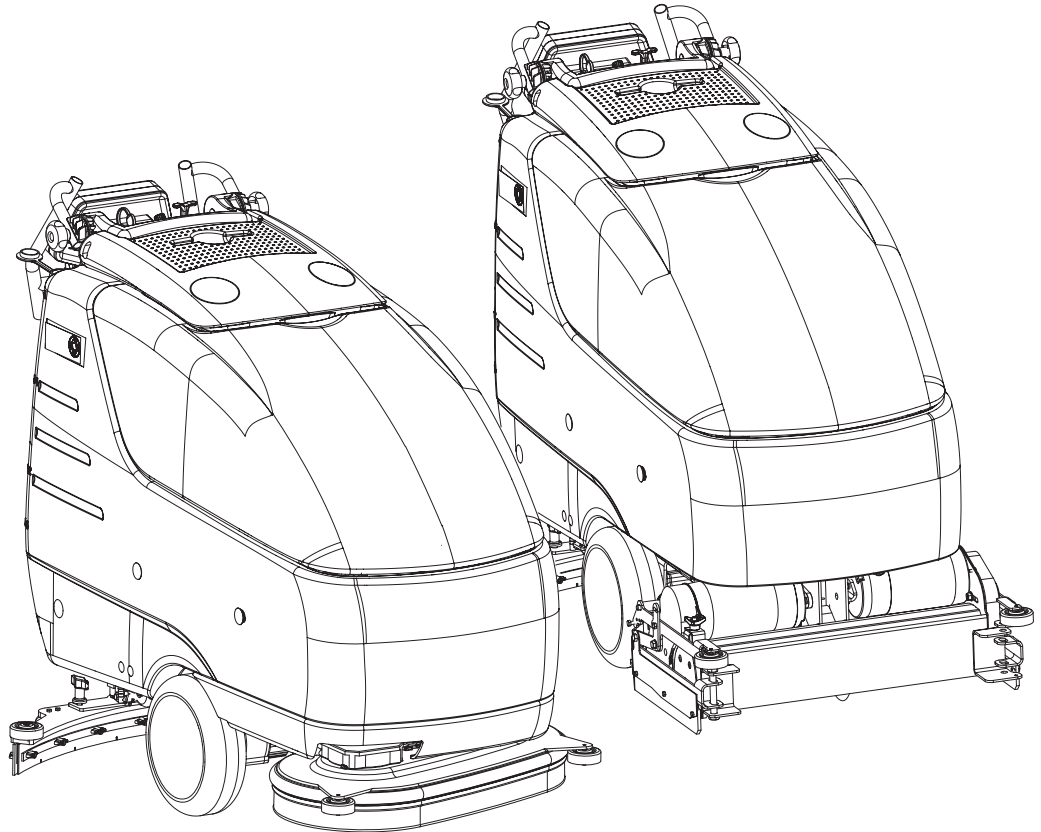


Razor™ Plus 24D-26D-28D

Razor™ Plus 24C-28C



PARTS LIST

KENT MODELS:

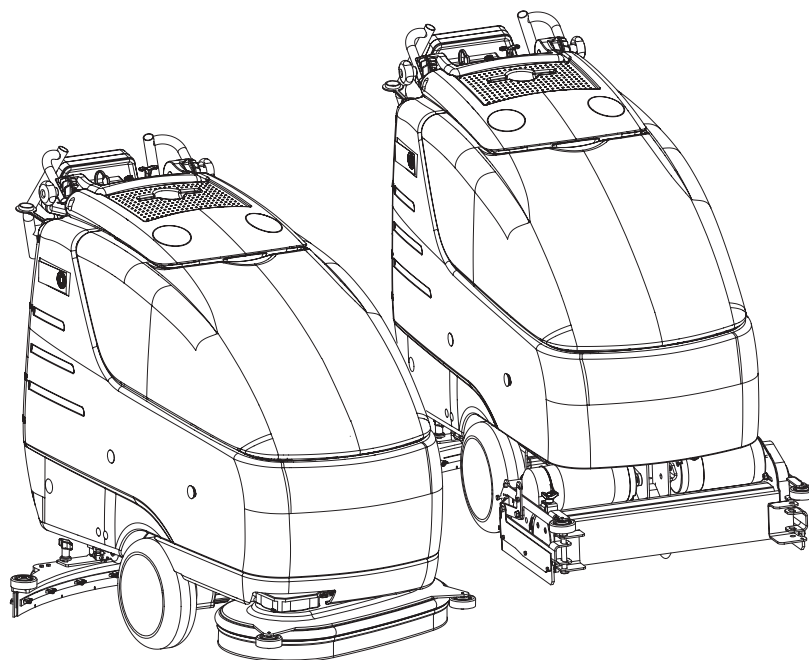
908 7041 020 - 908 7038 020 - 908 7039 020

908 7042 020 - 908 7040 020

KENT

Simple. Clean.

909 5429 000(3)2006-02

**DESCRIPTION****PLAN**

GENERAL VIEW	2-3
SOLUTION TANK	4-5
RECOVERY TANK	6-7
CHASSIS SYSTEM	8-9
WHEELS AND TRACTION	10-11
HANDLE ASSEMBLY	12-13
SOLUTION SYSTEM	14 - 15
SQUEEGEE SYSTEM	16 - 19
DISC SCRUB DECK SYSTEM	20 - 21
CYLINDRICAL SCRUB DECK SYSTEM	22 - 25
ACCESSORIES	26 - 29
CONTROL PANEL SYSTEM	30 - 31
WIRING SYSTEM	32 - 35
WIRING DIAGRAM	36
RECOMMENDED SPARE PARTS	37 - 38

WHEN ORDERING PARTS

- * Use the 8, 9 or 10 digit numbers from the "Ref. No." columns in this parts list.
- * Specify the model and serial number of the machine.
- * Use the space below to record the model and serial number for future reference.

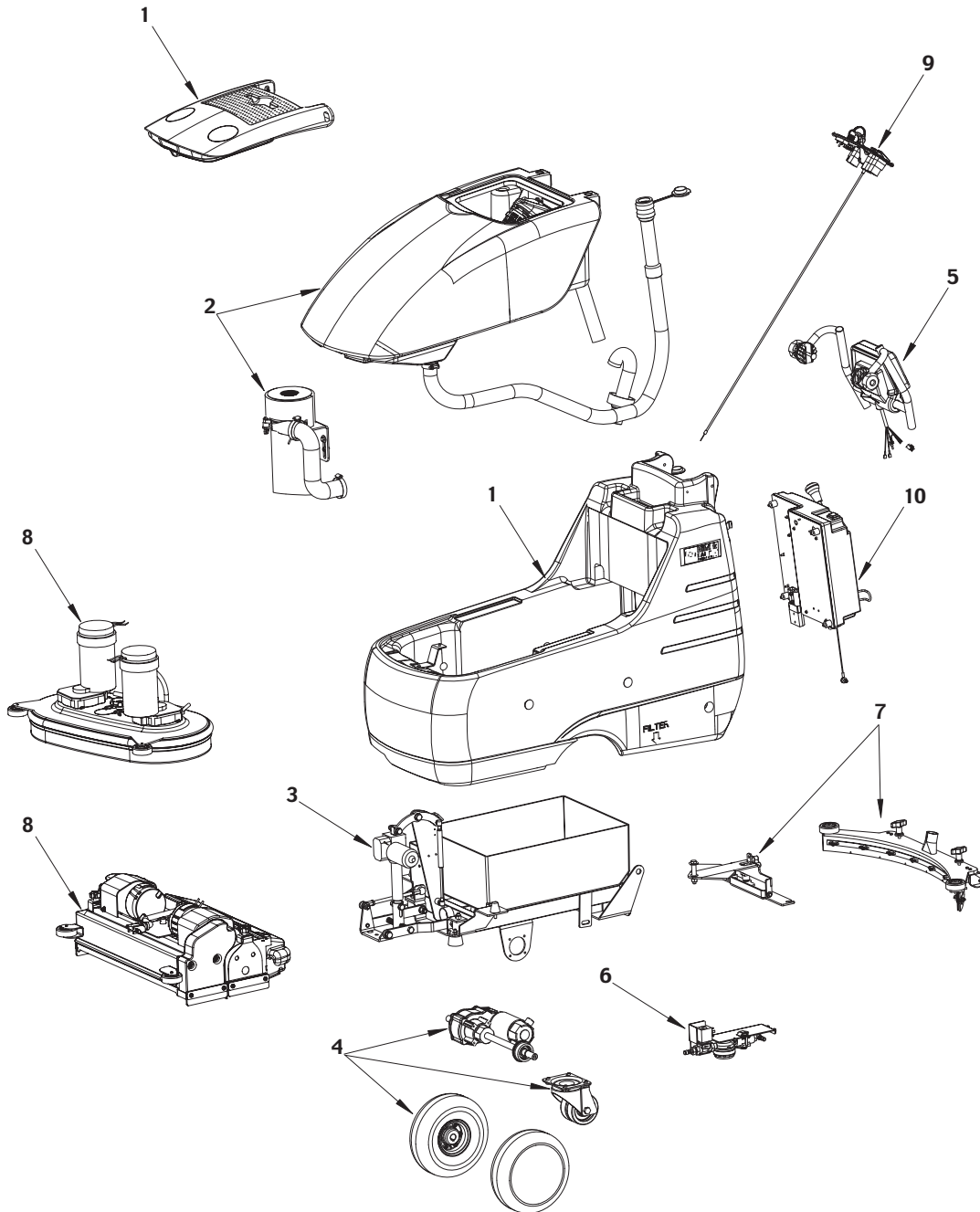
Model _____ Serial No. _____

*** = Optional**

= Modified item No. or New item No.

[] = Not shown

xxxxxx= Contained in a Kit



Item No.	Ref. No.	Qty	Description
1			Solution tank
2			Recovery tank
3			Chassis system
4			Wheels and traction
5			Handle assembly
6			Solution system
7			Squeegee system
8			Scrub deck system
9			Control panel system
10			Electrical system

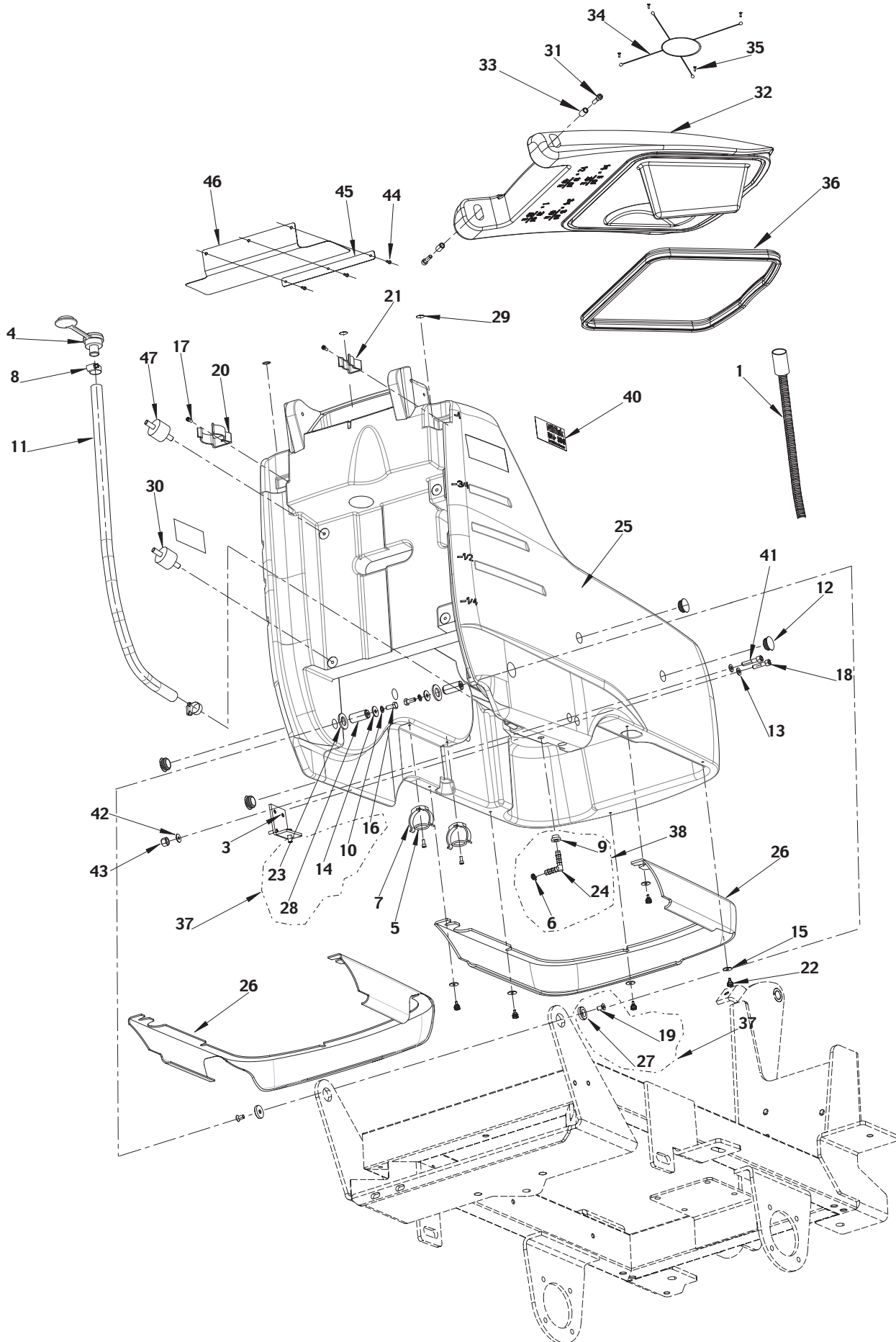
SOLUTION TANK

2004-12

4

RAZOR™ Plus 24D/ 26D/ 28D/ 24C/ 28C

2006-02



Item No.	Ref. No.	Qty	Description
1*	909 5327 000	1	Extractible feed hose
[2]#	909 5475 000	1	Decal kit, Razor™ Plus 24D/ 26D/ 28D/ 24C/ 28C [(29, 40, page 5) (24, page 11) (59,66,67,68,69, page 35)]
3	909 5234 000	1	Bracket, tank fixing
4	909 5236 000	1	Closure, fresh water hose
5	08095000	2	O-Ring
6	xxx xxxx xxx	1	Clamp (Elbow, solution tank kit)
7	56412093	2	Clamp
8	08603916	2	Clamp
9	xxx xxxx xxx	1	Gasket (Elbow, solution tank kit)
10	xxx xxxx xxx	2	Washer split (Tank fitting kit)
11	909 5235 000	1	Hose, fresh water
12	56325624	4	Cap, tank locking
13	145 9120 000	2	Washer flat 8x17
14	xxxxxxx	2	Washer flat 8x24 (Tank fitting kit)
15	145 9341 000	5	Washer flat 5x20
16	xxx xxxx xxx	2	Screw hex hd M8x20 (Tank fitting kit)
17	145 1768 000	4	Screw socket hd M5x12
18	145 9828 000	1	Screw socket hd M8x35
19	xxxxxxx	2	Screw sunk hd M8x12 (Tank fitting kit)
20	08812967	1	Clamp
21	08812966	1	Clamp
22	909 5835 000	5	Handwheel M5x10
23	xxxxxxx	2	Washer flat 20,5x37 (Tank fitting kit)
24	xxx xxxx xxx	1	Elbow 90° ø10 (Elbow, solution tank kit)
25	909 5445 000		Fresh water tank
26	909 5238 000	1	Bumper, front
26	909 5771 000	1	Bumper, front for cylindrical deck
27	xxxxxxx	2	Bushing (Tank fitting kit)
28	xxx xxxx xxx	2	Pin (Tank fitting kit)
29	xxxxxxx	2	Decal, water faucet (Decal kit, Razor™ Plus 24D/ 26D/ 28D/ 24C/ 28C)
30#	56325553	2	Vibration damping
31	146 0116 00	2	Screw socket hd M6x25
32	909 5447 000		Cover, tank
33	08603117	2	Sleeve
34	909 5301 000	1	Rubber band
35	08603668	4	Screw cyl hd 4x14 thd form
36	08603228	1	Gasket
37	909 5381 000	1	Tank fitting kit (10-14-16-19-23-27-28)
38	909 5382 000	1	Elbow, solution tank kit (6-9-24)
40	xxx xxxx xxx	2	Decal Razor™ Plus (Decal kit, Razor™ Plus 24D/ 26D/ 28D/ 24C/ 28C)
41	909 5954 000	1	Screw M8x50
42	56325587	1	Washer flat 8x17
43	08361400	1	Nut hex low selflocking M6
44a	146 0454 000	3	Screw 3,9x16 thd forming - see TSB IT 2005 - 003
45a	909 5906 000	1	Plate rubber fixing - see TSB IT 2005 - 003
46a	909 5905 000	1	Water protection rubber - see TSB IT 2005 - 003
47#	909 6263 000	2	Column plate support

a: see TSB IT 2005 - 003

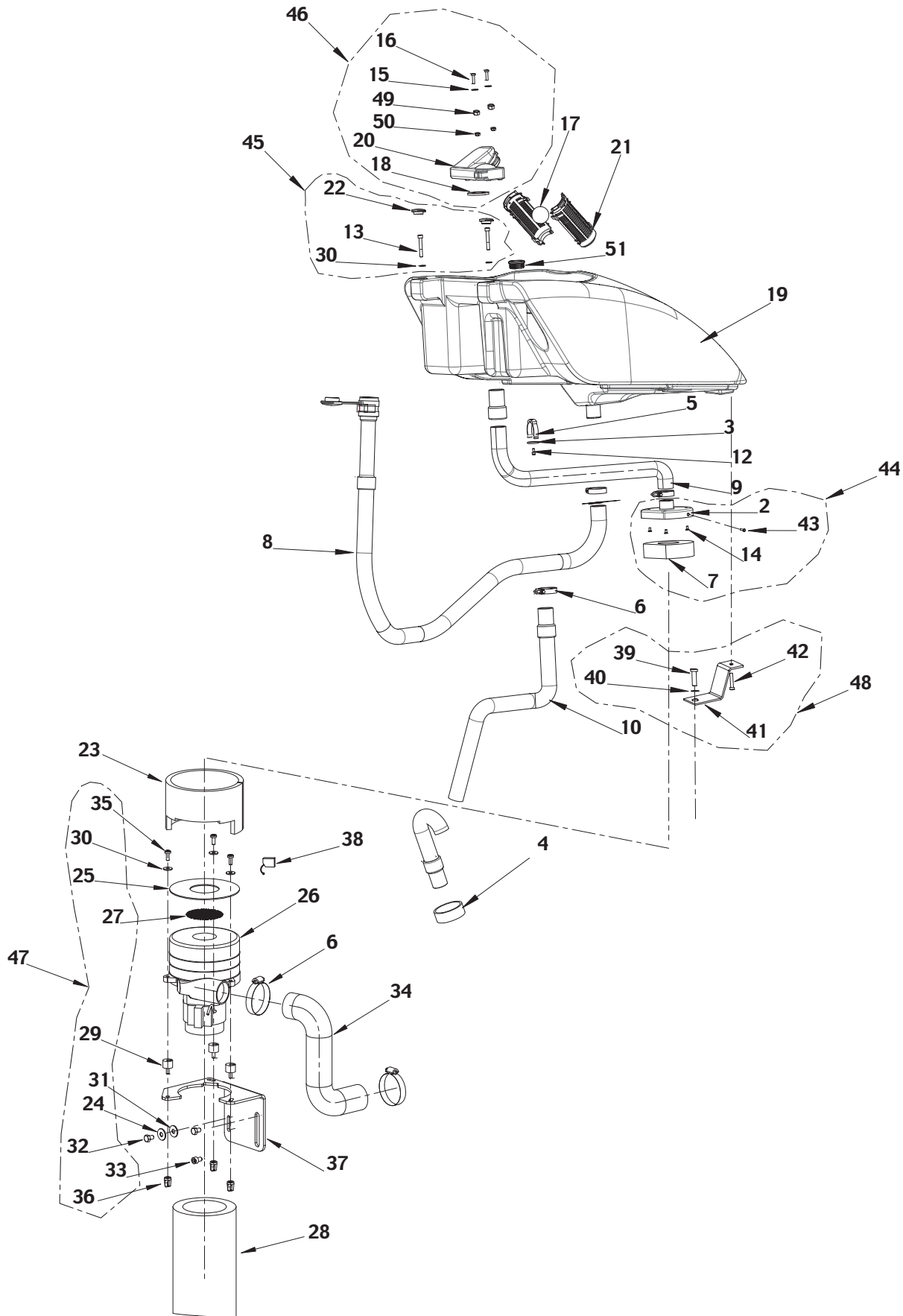
RECOVERY TANK

2004-12

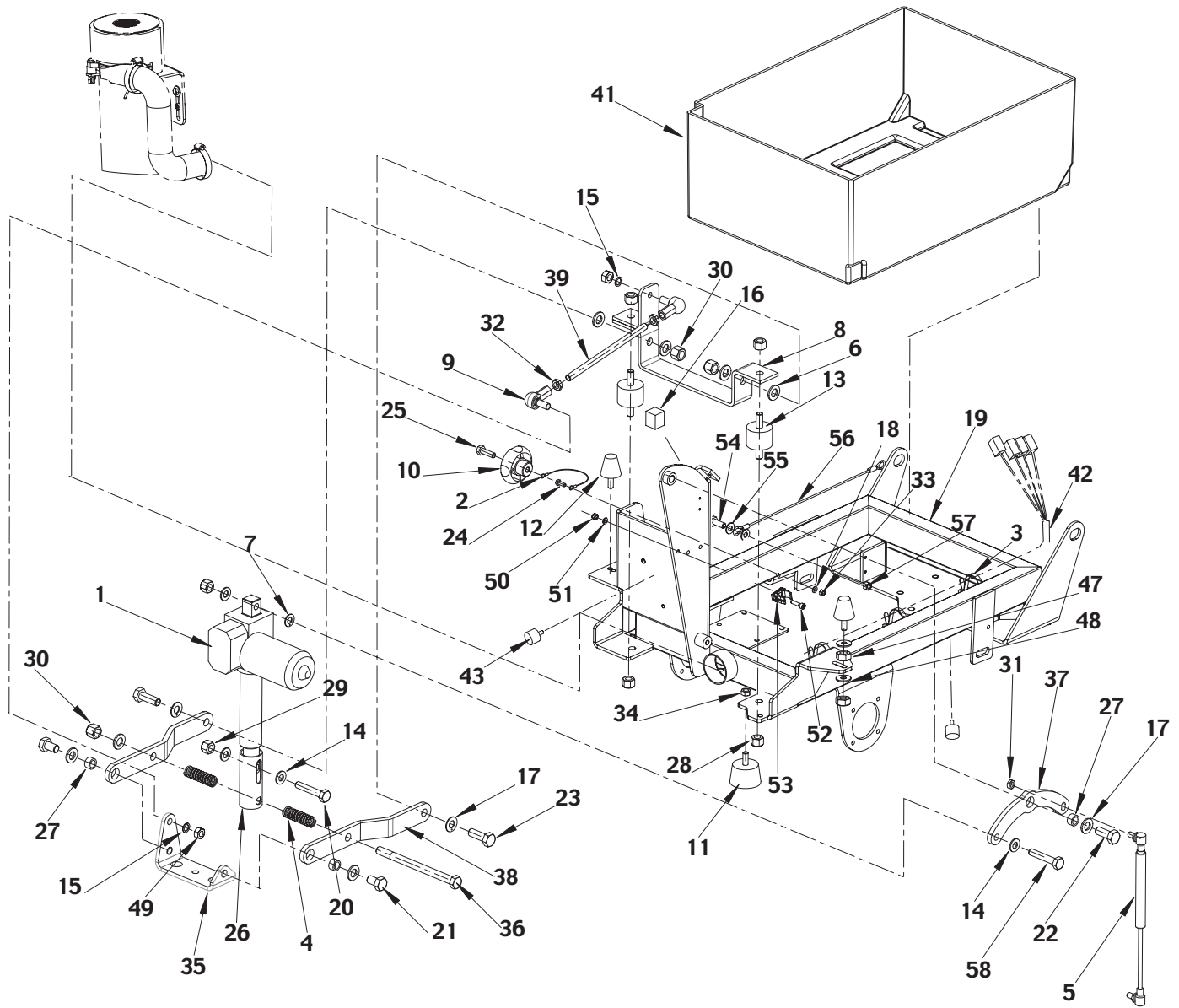
6

RAZOR™ Plus 24D/ 26D/ 28D/ 24C/ 28C

2006-02



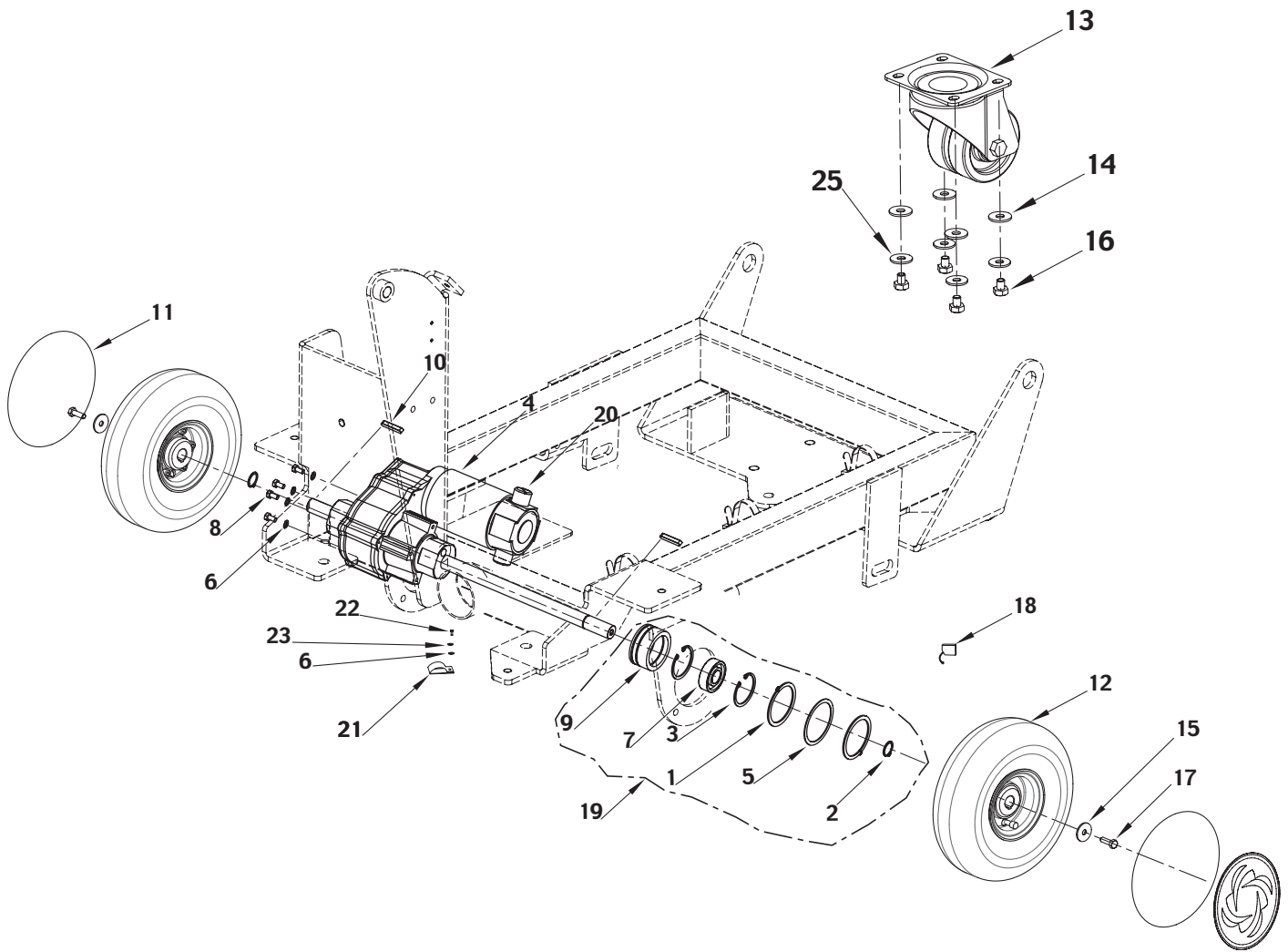
Item No.	Ref. No.	Qty	Description
2	xxx xxxx xxx	1	Cover vacuum motor (Motor,vacuum cover kit)
3	08095000	1	O-ring
4	909 5246 000	1	Gasket
5	56412093	1	Clamp, hose fixing
6	56329145	5	Clamp, hose fixing
7	xxx xxxx xxx	1	Gasket, vacuum motor (Motor,vacuum cover kit)
8	909 5240 000	1	Drain hose
9	909 5245 000	1	Hose vacuum motor
10#	909 6230 000	1	Vacuum hose
12	145 1768 000	1	Screw socket hd M5x12
13	xxx xxxx xxx	2	Screw socket hd M6x55 (Cage float Hardware kit)
14	xxx xxxx xxx	3	Screw M5x10 SS (Motor,vacuum cover kit)
15	xxxxxxx	2	Washer flat (Cage float fitting kit)
16	xxx xxxx xxx	2	Screw pan hd 6x40 SS (Cage float fitting kit)
17	56391690	1	Floating ball
18	xxxxxxx	1	Gasket (Cage float fitting kit)
19	909 5912 000	1	Kit recovery tank replace 909 5446 000
19	909 5910 000	1	Recovery tank
20	xxxxxxx	1	Holder, float cage (Cage float fitting kit)
21	56324497	2	Cage, float
22	xxx xxxx xxx	2	Cap (Cage float Hardware kit)
23	909 5197 000	1	Acoustic insulation
24	xxx xxxx xxx	1	Washer 8 (Motor,vacuum fitting kit)
25	xxx xxxx xxx	1	Gasket (Motor,vacuum fitting kit)
26	909 5370 000	1	Vacuum motor kit
27	xxx xxxx xxx	1	Protection (Motor,vacuum fitting kit)
28	909 5300 000	1	Acoustic insulation
29	xxx xxxx xxx	3	Vibration damping (Motor,vacuum fitting kit)
30	xxx xxxx xxx	5	Washer flat (Motor,vacuum fitting kit-Cage float Hardware kit)
31	xxx xxxx xxx	1	Washer flat (Motor,vacuum fitting kit)
32	xxx xxxx xxx	1	Screw hex hd M8x16 (Motor,vacuum fitting kit)
33	xxx xxxx xxx	2	Screw M8x10 (Motor,vacuum fitting kit)
34	909 5199 000	1	Hose, flexible w/elbows
35#	xxxxxxx	3	Screw M6x12 (Motor,vacuum fitting kit)
36	xxx xxxx xxx	3	Wing nut M6 (Motor,vacuum fitting kit)
37	909 5200 000	1	Support
38	909 5371 000	2	Carbon brush
39#	xxx xxxx xxx	1	Screw socket hd M6x12 (Tank, fitting kit)
40	xxx xxxx xxx	1	Washer flat 6x12,5 SS (Tank, fitting kit)
41	xxx xxxx xxx	1	Bracket (Tank, fitting kit) see TSB IT 2005-003
41	xxx xxxx xxx	1	Bracket (Tank, fitting kit) see TSB IT 2005-003
42	xxx xxxx xxx	1	Screw M6x10 (Tank, fitting kit)
43	xxx xxxx xxx	3	Screw thd form 3,5x9,5 (Motor,vacuum cover kit)
44	909 5383 000	1	Motor,vacuum cover kit (2-7-14-43)
45	909 5384 000	1	Cage float Hardware kit (30-13-22)
46	909 5476 000	1	Cage float fitting kit (15-16-18-20-49-50)
47	909 5386 000	1	Motor,vacuum fitting kit (24-25-27-29-30-31-32-33-35-36)
48	909 5387 000	1	Tank, fitting kit see TSB IT 2005-003 (39-40-41-42)
48	909 5919 000	1	Tank, fitting kit see TSB IT 2005-003 (39-40-41-42)
49	xxx xxxx xxx	2	Nut hex M6 SS (Cage float fitting kit)
50	xxx xxxx xxx	2	Nut blind M6 SS (Cage float fitting kit)
51	08602117	1	Cap for tank



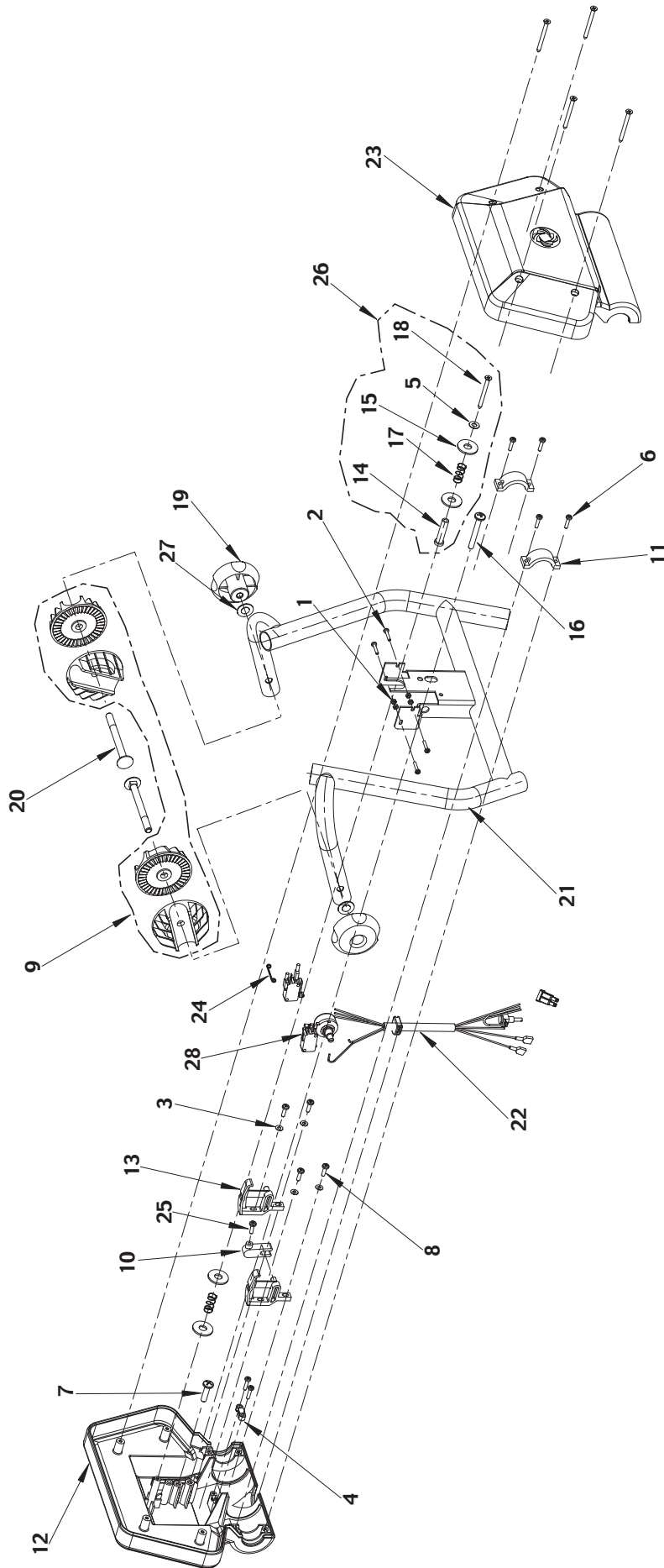
Item No.	Ref. No.	Qty	Description
1#	909 6032 000	1	Actuator 24V (TSB 2005-022)
2	xxx xxxx xxx	1	Cable, stainless steel (Handwheel kit)
3	146 0987 000	3	Clamp
4	xxx xxxx xxx	2	Spring (Hardware fixing kit)
5	909 5193 000	1	Spring
6	08812361	2	Washer
7	xxx xxxx xxx	1	Washer (Lever kit)
8	909 5186 000	1	Support
9	xxx xxxx xxx	2	Head articulated M10 (Bar thd kit)
10	xxx xxxx xxx	1	Handwheel (Handwheel kit)
11	145 8053 000	1	Vibration damping, Razor™ Plus 24D/ 26D/ 28D
12	909 5182 000	2	Vibration damping
13	145 4284 000	2	Vibration damping
14	xxx xxxx xxx	2	Washer (Hardware fixing kit) (Lever kit)
15	xxx xxxx xxx	1	Washer (Bar thd kit) - (Hardware fixing kit)
16	145 6062 000	1	Connector
17	xxx xxxx xxx	5	Washer (Lever kit)(Hardware fixing kit)
18	xxx xxxx xxx	1	Washer (Handwheel kit)
19	909 5164 000	1	Chassis
20	xxx xxxx xxx	2	Screw hex hd M10x55 (Lever kit) - (Hardware fixing kit)
21	xxx xxxx xxx	2	Screw hex hd M12x20 (Hardware fixing kit)
22	xxx xxxx xx	1	Screw hex hd M12x30 (Lever kit)
23	xxx xxxx xxx	2	Screw hex hd M12x20 (Hardware fixing kit)
24	xxx xxxx xxx	1	Screw hex hd M5x12 (Handwheel kit)
25	xxxxxxx	1	Screw hex hd M8x25 (Handwheel kit)
26	909 5184 000	1	Tube, jack motor
27	xxx xxxx xxx	2	Spacer (Lever kit) - (Hardware fixing kit)
28	909 5194 000	4	Nut hex selflock M10
29	xxx xxxx xxx	1	Nut hex selflock M10 (Hardware fixing kit)
30	xxxxxxx	1	Nut hex selflock M12 (Hardware fixing kit)
31	xxx xxxx xxx	1	Nut hex M8 (Lever kit)
32	xxx xxxx xxx	2	Nut hex M10 (Bar thd kit)
33	xxx xxxx xxx	1	Nut hex M5 (Handwheel kit)
34	56325601	1	Nut hex M8, Razor™ Plus 24D/ 26D/ 28D
35	909 5190 000	1	Bracket
36	xxx xxxx xxx	1	Screw hex hd M12x160 (Hardware fixing kit)
37	xxx xxxx xxx	1	Lever (Lever kit)
38	909 5183 000	2	Lever
39	xxx xxxx xxx	1	Bar thd M10x185 (Bar thd kit)
40	909 5393 000	1	Bar thd kit(9-15-32-39)
41	909 5181 000	1	Battery container
42	909 5449 000	1	Harness machine
43	146 1555 000	2	Vibration damping
44	909 5390 000	1	Handwheel kit (2-10-18-24-25-33)
45	909 5391 000	1	Hardware fixing kit (4-14-15-17-20-21-23-27-29-30-36-49)
46	909 5392 000	1	Lever kit (7-14-17-22-27-31-37-58)
47	145 4523 000	2	Nut hex low M8
48	145 9120 000	2	Washer flat 8x17
49	xxxxxxx	2	Nut hex M10 (Hardware fixing kit)
50	08603688	1	Nut hex low M5 selflocking SS, Razor™ Plus 24C - 28C
51	145 9133 000	1	Washer flat 5x10,Razor™ Plus 24C - 28C
52	145 9669 000	1	Screw M5x20,Razor™ Plus 24C - 28C
53	909 5804 000	1	Hose clamp ø16,Razor™ Plus 24C - 28C
54	145 9170 000	1	Screw hex hd M8x20
55	56325587	2	Washer flat 8x17
56	909 5891 000	1	Cable tank block
57	56003389	1	Nut hex self lock M8, Razor™ Plus 24C - 28C
58#	145 1235 000	1	Screw M10X60 (Hardware fixing kit)

10

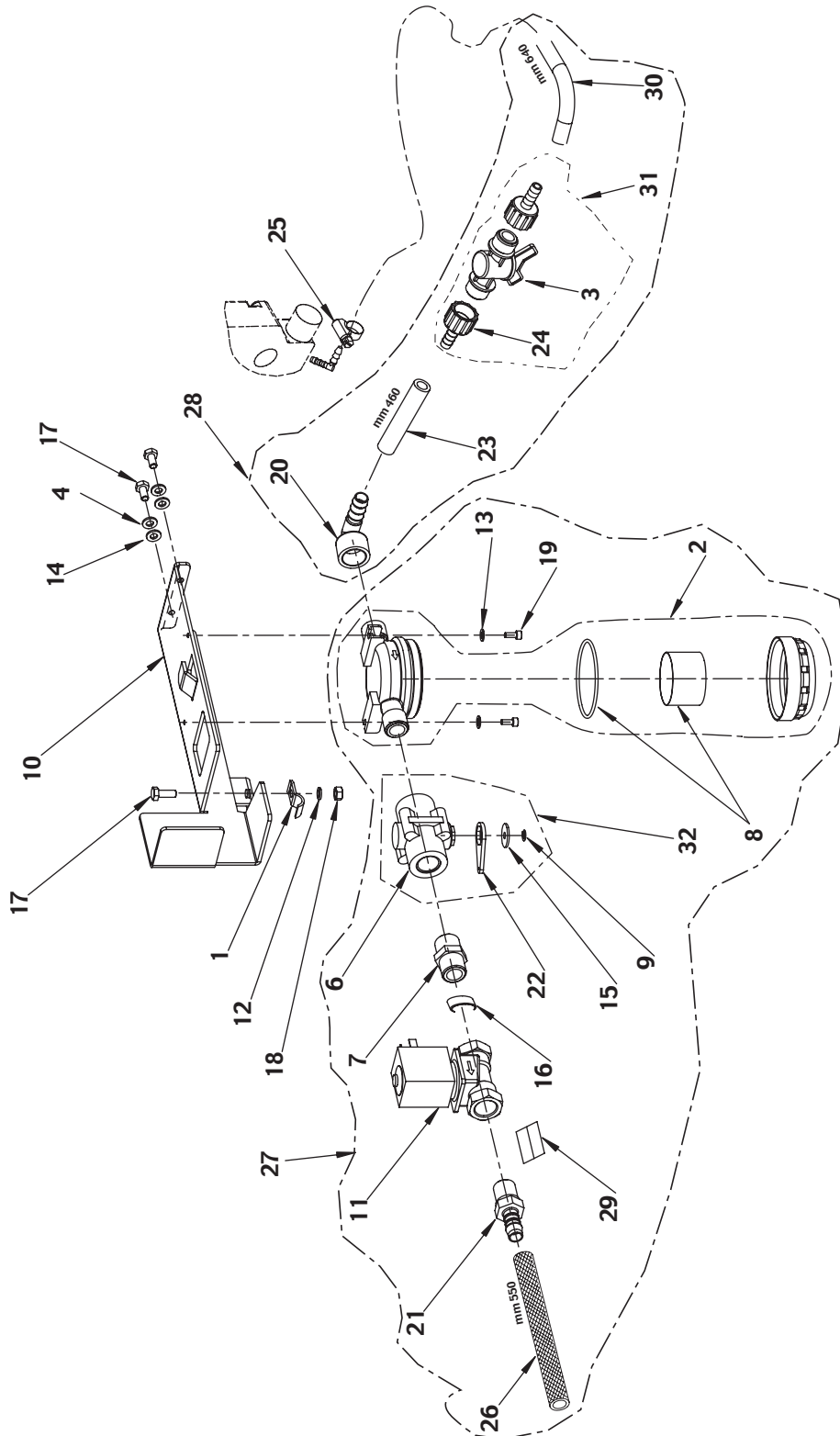
RAZOR™ Plus 24D/ 26D/ 28D/ 24C/ 28C



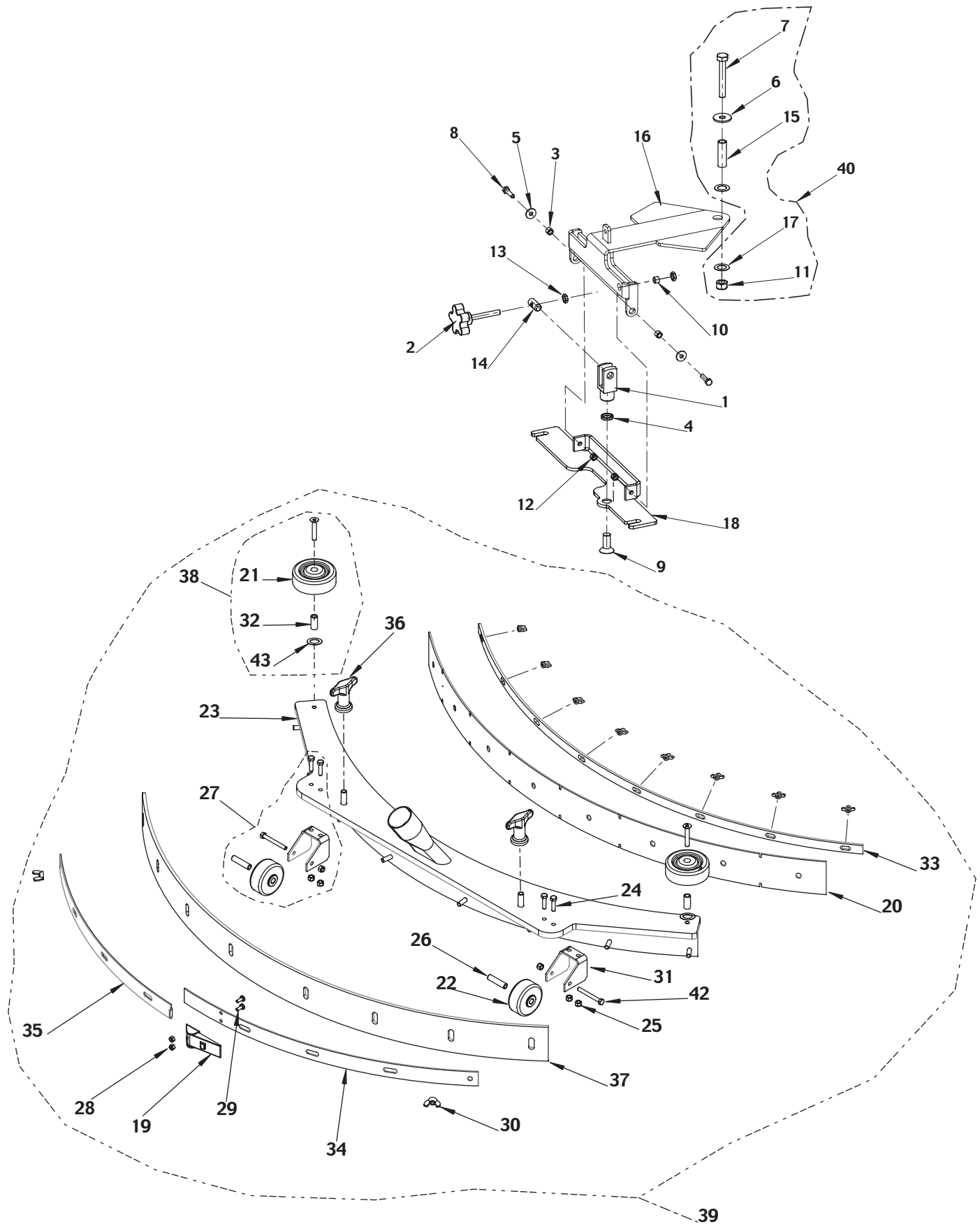
Item No.	Ref. No.	Qty	Description
1	xxxxxxx	2	Retaining ring (Ball bearing kit)
2	xxx xxxx xxx	2	Retaining ring (Ball bearing kit)
3	xxxxxxx	2	Retaining ring (Ball bearing kit)
4	909 5204 000	1	Drive motor 24V W200
5	xxxxxxx	1	Washer (Ball bearing kit)
6	145 9228 000	5	Washer 6
7	56325573	1	Ball bearing (Ball bearing kit)
8	56325570	4	Screw hex hd M6x16
9	xxxxxxx	1	Ballbearing holder (Ball bearing kit)
10	145 9776 000	2	Key 6x6x35
11	909 5203 000	2	Rim cover
12	909 5201 000	2	Wheel front
12*	909 5512 000	2	Oil resistant traction wheel
13	909 5202 000	1	Wheel rear
13*	909 5511 000	1	Softer pivoting rear wheel
14	145 4505 000	4	Washer flat
15	145 9171 000	2	Washer flat
16	909 5888 000	4	Screw hex hd with loctite M10x12
17	145 9116 000	2	Screw hex hd M8x25
18	145 5124 000	2	Carbon brush
19	909 5388 000	1	Ball bearing kit (1-2-3-5-7-9)
20	909 5403 000	2	Holder, carbon brush
21	909 5516 000	1	Clamp ø18
22	145 9261 000	1	Screw hex hd M6x16
23	145 9229 000	1	Washer flat 6x18
24	xxx xxxx xxx	2	Decal Nilfisk round(Decal kit, Razor™ Plus 24D/ 26D/ 28D/ 24C/ 28C)
25	145 4556 000	4	Washer ø10



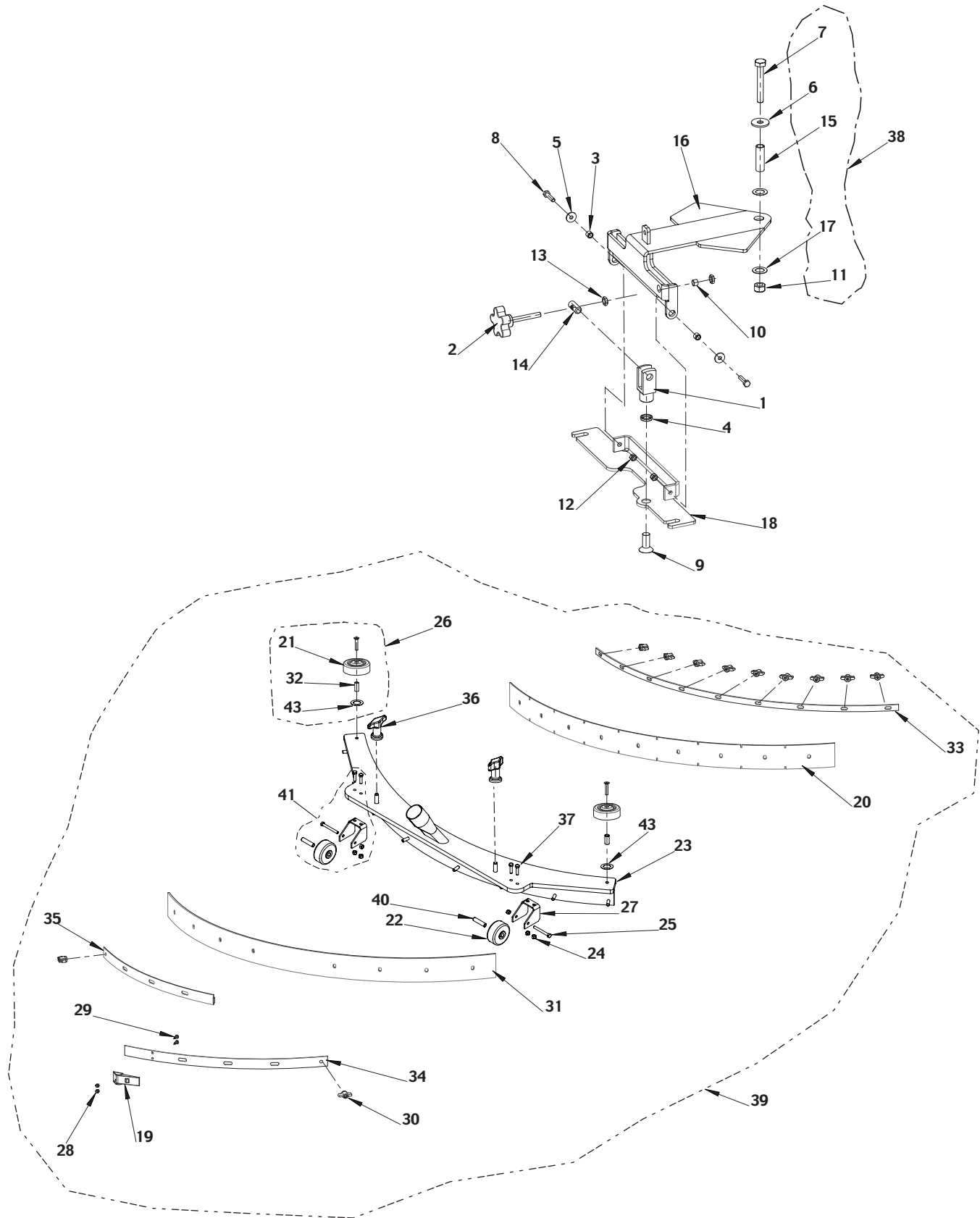
Item No.	Ref. No.	Qty	Description
1	08048300	4	Nut M3
2	08093600	4	Screw cyl hd M3x16
3	56325716	4	Washer flat 4x9 SS
4	56340083	1	Cable fixing block
5	xxxxxxx	1	Washer flat 6x12,5 (Handle Hardware kit)
6	56325661	6	Screw pan hd 3,6x16 thd form
7	56340224	1	Screw pan hd 6x25 thd form
8	08603668	4	Screw pan hd 4x14 thd form
9	909 5099 000	1	Ratchet handle adjuster kit
10#	909 6038 000	1	Rod, potentiometer (TSB 2005-024)
11	56325662	2	Collar
12	56325659	1	Switch housing rear
13	56325664	2	Cam, microswitch handle
14	xxxxxxx	1	Bushing, drive control (Handle Hardware kit)
15	xxxxxxx	4	Washer flat 9x25 nylon (Handle Hardware kit)
16	56325660	1	Screw w/dome 6x50 thd f.
17	xxxxxxx	2	Spring, drive control (Handle Hardware kit)
18	xxxxxxx	5	Screw counters.hd 4,2x50 (Handle Hardware kit)
19	146 1852 000	2	Handwheel
20	146 1672 000	2	Screw M8x85
21	909 5211 000	1	Handle bar
22	909 5448 000	1	Harness, traction
23	909 5213 000	1	Switch housing front
24	08812377	2	Contact for microswitch
25	08604077	1	Screw pan hd phil M4x10
26	909 5389 000	1	Handle Hardware kit (5-14-15-17-18)
27	145 9120 000	2	Washer 8x17
28	08812580	2	Microswitch



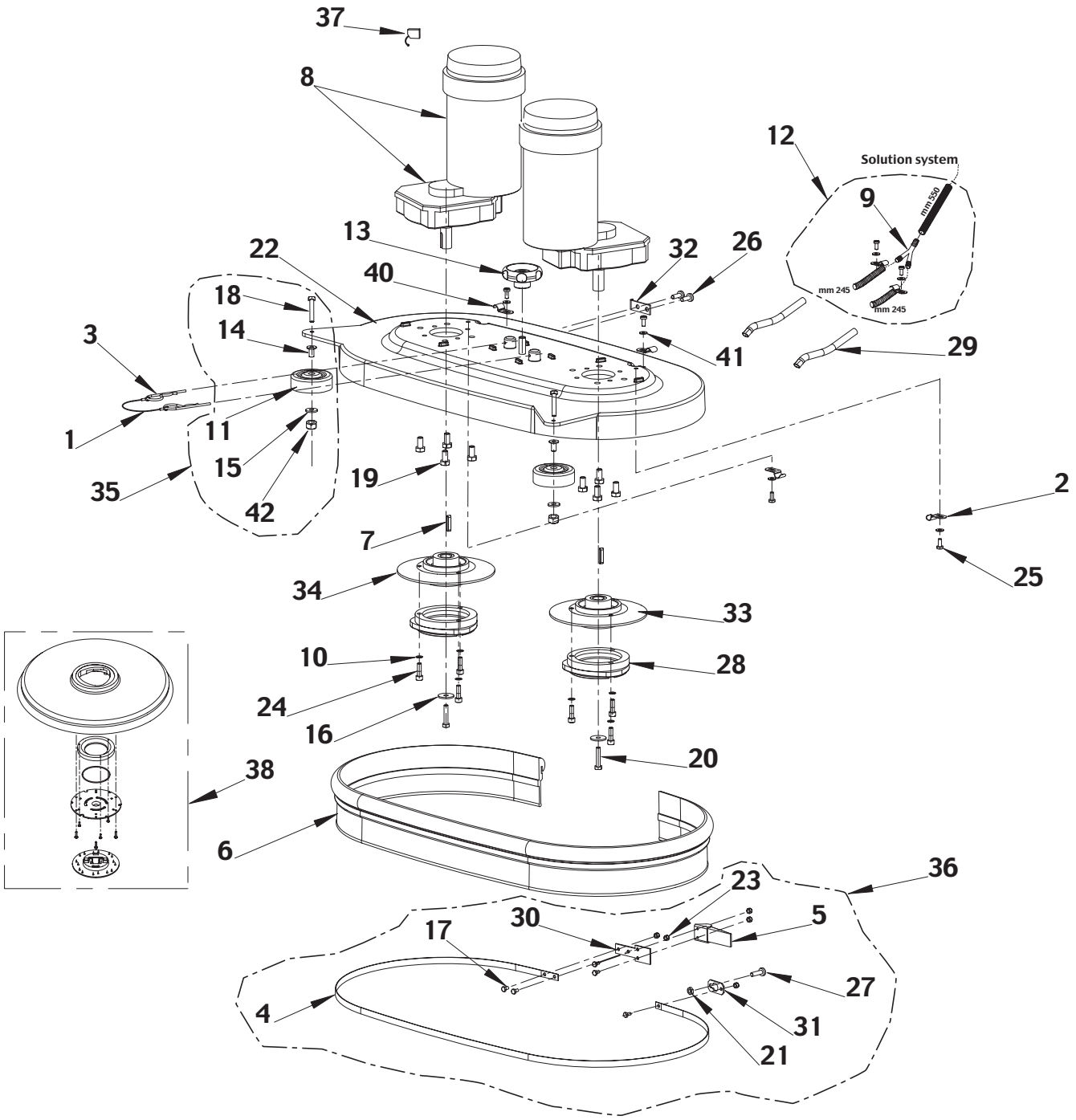
Item No.	Ref. No.	Qty	Description
1	56325638	1	Clamp
2	909 5207 000	1	Water filter (Solenoid valve kit)
3	xxx xxxx xxx	1	Valve (Kit valve complete-Kit valve with pipe holder)
4	145 9228 000	2	Washer 6
6	xxxxxxx	1	Valve (Solenoid valve kit -Valve kit)
7	xxx xxxx xxx	1	Nipple (Solenoid valve kit)
8#	xxx xxxx xxx	1	Net, water filter w/gasket (Solenoid valve kit)
9	xxx xxxx xxx	1	Washer split 5 (Solenoid valve kit -Valve kit)
10	909 5210 000	1	Support, solenoid valve
11	909 5443 000	1	Solenoid valve 24V (Solenoid valve kit)
12	145 9233 000	1	Washer
13	xxx xxxx xxx	2	Washer flat 5x10 (Solenoid valve kit)
14	145 9128 000	2	Washer 6x12,5
15	xxx xxxx xxx	1	Washer flat 5x20 (Solenoid valve kit -Valve kit)
16	xxxxxxx	1	Clamp (Solenoid valve kit)
17	145 9261 000	3	Screw hex hd M6x16
18	08091200	1	Nut hex M6
19	xxx xxxx xxx	2	Screw socket hd M4x8 SS (Solenoid valve kit)
20	xxx xxxx xxx	1	Pipe holder female 1/2 - 90° (Kit valve complete)
21	xxx xxxx xxx	1	Pipe holder straight male 1/2 (Solenoid valve kit)
22	xxx xxxx xxx	1	Lever (Solenoid valve kit -Valve kit)
23	xxx xxxx xxx	1	Hose ø10 length 460 mm (Kit valve complete)
24	xxx xxxx xxx	2	Pipe holder ø11 (Kit valve complete-Kit valve with pipe holder)
25#	xxx xxxx xxx	2	Clamp (Kit valve complete)
26	xxx xxxx xxx	1	Hose ø10 550 mm (Solenoid valve kit)
27#	909 5477 000	1	Solenoid valve kit (2-6-7-8-9-11-13-15-16-19-21-22-26-29)
28#	909 5395 000	1	Kit valve complete (3-20-23-24-30)
29	xxx xxxx xxx	1	Gasket (Solenoid valve kit)
30	909 5622 000	1	Hose ø10 length 640 mm (Kit valve complete)
31	909 5787 000	1	Kit valve with pipe holder (3-24)
32#	909 6046 000	1	Valve kit (6-9-15-22)



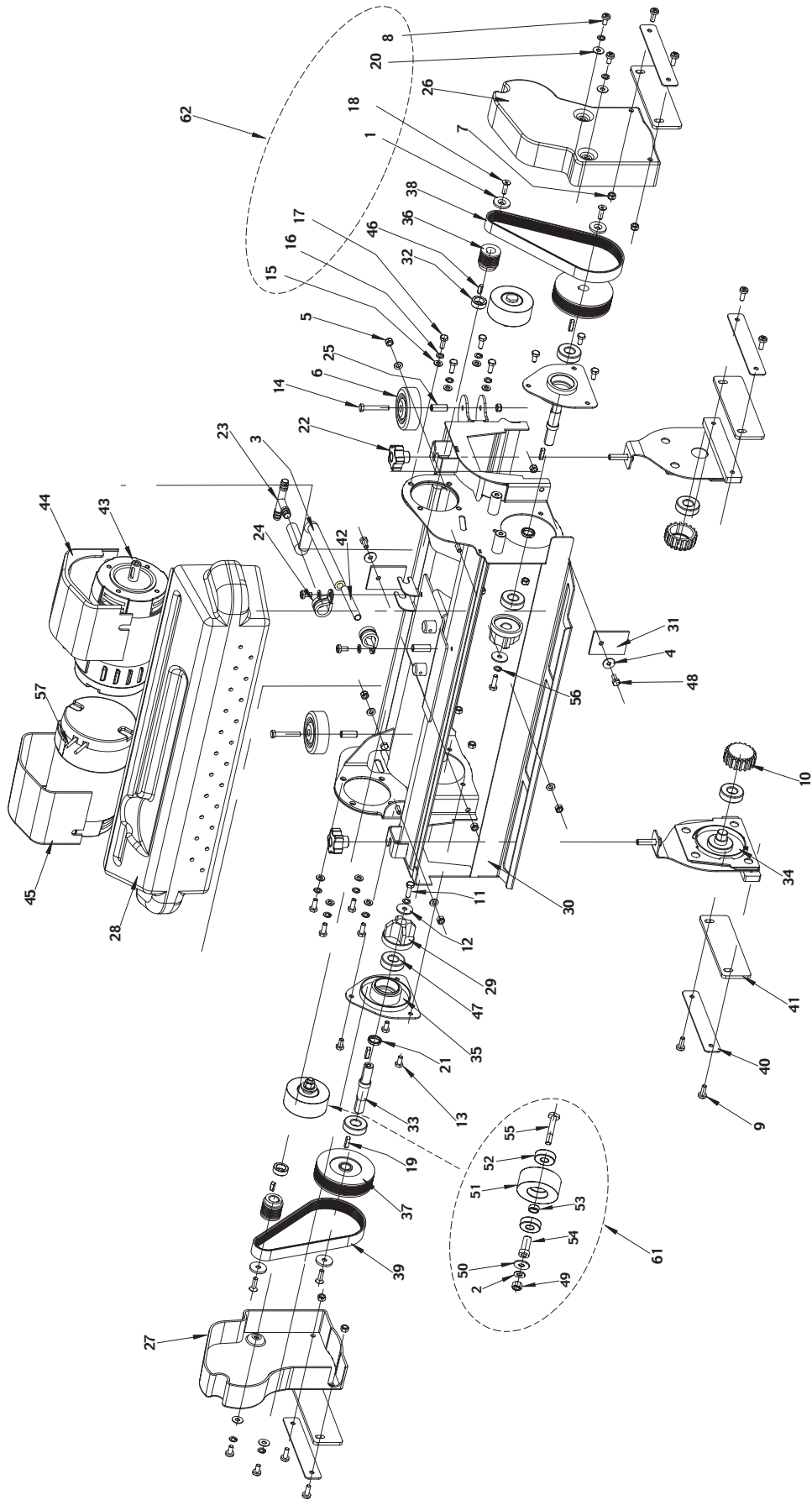
Item No.	Ref. No.	Qty	Description
1	909 5218 000	1	Fork
2	08601574	1	Handwheel M8x55
3	08601854	2	Spacer $\varnothing 7 \times \varnothing 10 \times 8$
4	146 1232 000	1	Spacer $\varnothing 15 \times \varnothing 20 \times 4$
5	56325538	2	Washer flat 6x18
6	xxxxxxx	1	Washer flat 10x30(Hardware squeegee holder kit)
7	xxxxxxx	1	Screw hex hd M10x70(Hardware squeegee holder kit)
8	56325621	2	Screw hex hd M6x25
9	146 1498 000	1	Screw M12x30
10	08602422	1	Spacer $\varnothing 8 \times \varnothing 10 \times 7$
11	xxx xxxx xxx	1	Nut hex low M10 selflock (Hardware squeegee holder kit)
12	08361400	2	Nut hex low M6 selflock.
13	08600317	2	Nut hex low M8
14	08601509	1	Pin, squeegee support
15	xxxxxxx	1	Bushing $\varnothing 10,4 \times \varnothing 14 \times 45$ (Hardware squeegee holder kit)
16	909 5216 000	1	Plate, squeegee support
17	xxxxxxx	2	Washer flat 15x25 nylon (Hardware squeegee holder kit)
18	909 5217 000	1	Squeegee support
19	56471194	1	Latch (Kit squeegee Razor™ Plus 24D/ 26D /24C)
20	08603830	1	Blade front (Kit squeegee Razor™ Plus 24D/ 26D /24C)
20*	909 5629 000	1	Non marking front blade
21	56363855	2	Roller bumper (Kit squeegee Razor™ Plus 24D/ 26D /24C)
22	08603665	2	Squeegee wheel (Kit squeegee Razor™ Plus 24D/ 26D /24C)
23	909 5294 000	1	Weldment squeegee tool(Kit squeegee Razor™ Plus 24D/26D/24C)
24	08603687	4	Screw hex hd M5x20 SS(Kit squeegee Razor™ Plus 24D/26D/24C)
25	08603688	6	Nut hex self lock M5 SS(Kit squeegee Razor™ Plus 24D/26D/24C)
26	08812948	2	Spacer, squeegee wheel(Kit squeegee Razor™ Plus 24D/26D/24C)
27	08603879	1	Kit squeegee wheel (Kit squeegee Razor™ Plus 24D/26D/24C) (22-24-25-26-31-42)
28	08603685	2	Nut hex self lock M4 SS (Kit squeegee Razor™ Plus 24D/ 26D /24C)
29	08603684	2	Screw pan phil M4x10 SS (Kit squeegee Razor™ Plus 24D/ 26D /24C)
30	145 0461 000	10	Wing nut M6 (Kit squeegee Razor™ Plus 24D/ 26D /24C)
31	08603666	2	Bracket squeegee wheel(Kit squeegee Razor™ Plus 24D/ 26D /24C)
32	08812937	2	Spacer $\varnothing 6,3 \times \varnothing 9,5 \times 21$ (Kit squeegee Razor™ Plus 24D/ 26D /24C)
33	08603831	1	Strap front (Kit squeegee Razor™ Plus 24D/ 26D /24C)
34	08603834	1	Strap right rear (Kit squeegee Razor™ Plus 24D/ 26D /24C)
35	08603833	1	Strap left rear (Kit squeegee Razor™ Plus 24D/ 26D /24C)
36	08603675	2	Thumb nut squeegee fixing (Kit squeegee Razor™ Plus 24D/ 26D /24C)
37	08603832	1	Blade rear(Kit squeegee Razor™ Plus 24D/ 26D /24C)
38	08603880	1	Kit squeegee bumper roller (Kit squeegee Razor™ Plus 24D/ 26D /24C) (21-32- 43)
39	909 5372 000	1	Kit squeegee Razor™ Plus 24D/ 26D /24C assembled (19-20-21-22-23-24-25-26-27-28-29-30-31-32-33-34-35-36-37-38-42-43)
40	909 5396 000	1	Hardware squeegee holder kit (6-7-11-15-17)
[41]*	08603973	1	Blades oil resistant kit Razor™ Plus 24D/ 26D /24C
42	08603896	2	Screw hex hd M5x45 SS (Kit squeegee Razor™ Plus 24D/ 26D /24C - Kit squeegee wheel)
43	08603689	2	Washer flat 6x18 SS (Kit squeegee bumper roller - Kit squeegee Razor™ Plus 24D/ 26D /24C)



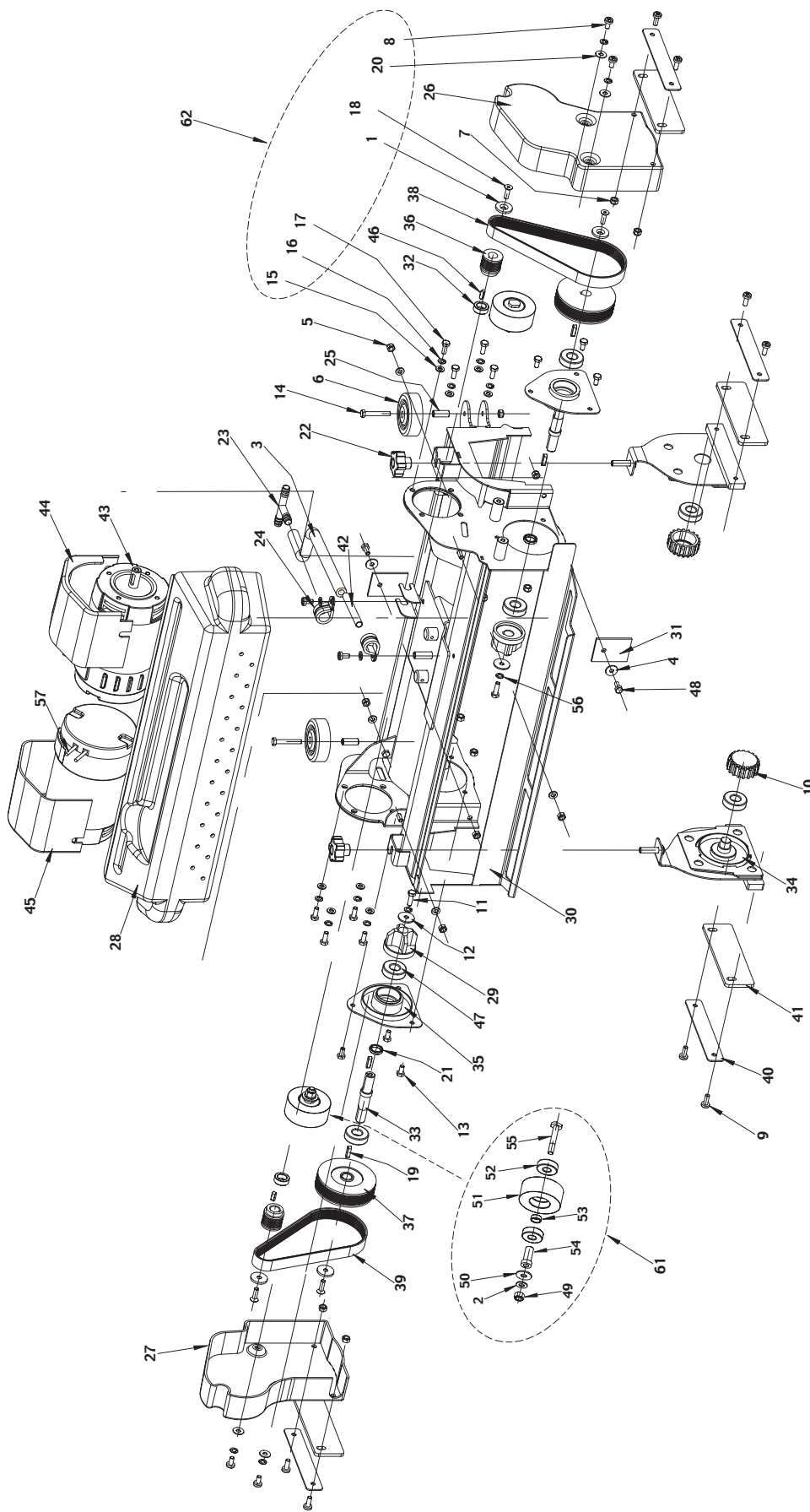
Item No.	Ref. No.	Qty	Description
1	909 5218 000	1	Fork
2	08601574	1	Handwheel M8x55
3	08601854	2	Spacer ø7xø10x8
4	146 1232 000	1	Spacer ø15xø20x4
5	56325538	2	Washer flat 6x18
6	xxxxxxx	1	Washer flat 10x30 (Hardware squeegee holder kit)
7	xxxxxxx	1	Screw hex hd M10x70 (Hardware squeegee holder kit)
8	56325621	2	Screw hex hd M6x25
9	146 1498 000	1	Screw M12x30
10	08602422	1	Spacer ø8xø10x7
11	xxx xxxx xxx	1	Nut hex low M10 selflock (Hardware squeegee holder kit)
12	08361400	2	Nut hex low M6 selflock.
13	08600317	2	Nut hex low M8
14	08601509	1	Pin, squeegee support
15	xxxxxxx	1	Bushing ø10,4xø14x45 (Hardware squeegee holder kit)
16	909 5216 000	1	Plate, squeegee support
17	xxxxxxx	2	Washer flat 15x25 nylon (Hardware squeegee holder kit)
18	909 5217 000	1	Squeegee support
19	56471194	1	Latch (Kit squeegee Razor™ Plus 28D-28C)
20	909 5348 000	1	Blade front (Kit squeegee Razor™ Plus 28D-28C)
20*	909 5513 000	1	Non marking front blade
21	56363855	2	Roller bumper (Kit squeegee Razor™ Plus 28D-28C)
22	08603665	2	Squeegee wheel (Kit squeegee Razor™ Plus 28D-28C)
23	909 5487 000	1	Weldment squeegee tool (Kit squeegee Razor™ Plus 28D-28C)
24	08603688	6	Nut hex M5 SS (Kit squeegee Razor™ Plus 28D-28C)
25	08603896	2	Screw hex hd M5x45 SS (Kit squeegee Razor™ Plus 28D-28C)
26	08603880	1	Kit squeegee bumper roller (Kit squeegee Razor™ Plus 28D-28C) (21-32-43)
27	08603666	2	Bracket squeegee wheel (Kit squeegee Razor™ Plus 28D-28C)
28	08603685	2	Nut hex self lock M4 SS (Kit squeegee Razor™ Plus 28D-28C)
29	08603684	2	Screw pan phil M4x10 SS (Kit squeegee Razor™ Plus 28D-28C)
30	145 0461 000	11	Wing nut M6 (Kit squeegee Razor™ Plus 28D-28C)
31	909 5350 000	1	Blade rear (Kit squeegee Razor™ Plus 28D-28C)
32	08812937	2	Spacer ø6,3xø9,5x21 (Kit squeegee Razor™ Plus 28D-28C)
33	909 5349 000	1	Strap front (Kit squeegee Razor™ Plus 28D-28C)
34	909 5352 000	1	Strap right rear (Kit squeegee Razor™ Plus 28D-28C)
35	909 5351 000	1	Strap left rear (Kit squeegee Razor™ Plus 28D-28C)
36	08603675	2	Thumb nut squeegee fixing (Kit squeegee Razor™ Plus 28D-28C)
37#	08603687	4	Screw hex hd 5x20 SS (Kit squeegee Razor™ Plus 28D-28C)
38	909 5396 000	1	Hardware squeegee holder kit (6-7-11-15-17)
39	909 5373 000	1	Kit squeegee Razor™ Plus 28D-28C assembled (19,20,21,22,23,24,25,26,27,28,29,30,31,32,33,34,35,36,37,40,41)
40	08812948	2	Spacer, squeegee wheel (Kit squeegee Razor™ Plus 28D-28C)
41	08603879	1	Kit squeegee wheel (Kit squeegee Razor™ Plus 28D-28C) (22-24-25-27-37-40)
[42]*	909 5466 000	1	Blades oil resistant kit Razor™ Plus 28D-28C
43	08603689	2	Washer flat 6x18 SS (Kit squeegee bumper, Kit squeegee Razor™ Plus 28D-28C)



Item No.	Ref. No.	Qty	Description
1	909 5293 000	1	Cable, stainless steel
2	145 9212 000	2	U-bolt ø10
3	145 8564 000	2	Split pin 3
4	xxxxxxx	1	Holder splash guard Razor™ Plus 24D/26D (Splash guard fit. kit Razor™ Plus 24/26D)
4	xxx xxxx xxx	1	Holder splash guard Razor™ Plus 28D (Splash guard fit. kit Razor™ Plus 28D)
5	xxxxxxx	1	Latch, squeegee (Splash guard fit. kit Razor™ Plus)
6	909 5224 000	1	Splash guard Razor™ Plus 24D/ 26D
6	909 5345 000	1	Splash guard Razor™ Plus 28D
7	145 8024 000	2	Tab 5x5x25
8	909 5230 000	2	Brush gearmotor W400 24V
9	145 8224 000	1	Elbow Y ø12
10	08353300	6	Washer M6
11	xxxxxxx	2	Roller bumper (Roller bumper kit)
12	909 5369 000	1	Brush deck water hose kit
13	146 1037 000	1	Handwheel M10
14	xxx xxxx xxx	2	Bushing (Roller bumper kit)
15	xxx xxxx xxx	4	Washer flat 6x18 (Roller bumper kit)
16	145 9129 000	2	Washer flat 6x24
17	xxx xxxx xxx	5	Screw hex hd M4x8 (Splash guard fit. kit Razor™ Plus)
18	xxx xxxx xxx	2	Screw hex hd M6x40 (Roller bumper kit)
19	145 0521 000	8	Screw hex hd M8x16 SS
20	145 0553 000	2	Screw hex hd M8x30 SS
21	xxx xxxx xxx	1	Nut hex low M6 (Splash guard fit. kit Razor™ Plus)
22	909 5344 000	1	Brush deck Razor™ Plus 24D
22	909 5226 000	1	Brush deck Razor™ Plus 26D
22#	909 6250 000	1	Brush deck Razor™ Plus 28D
23	xxxxxxx	5	Nut hex low M4 selflock SS (Splash guard fit. kit Razor™ Plus)
24	909 5056 000	6	Screw socket hd M6x20 SS
25	909 5009 000	6	Screw oval hd M5x12 SS
26	909 5010 000	2	Screw oval hd M6x16 SS
27	xxx xxxx xxx	1	Screw oval hd M6x20 SS (Splash guard fit. kit Razor™ Plus)
28	56325611	2	Hub
29	909 5228 000	2	Hose copper
30	xxxxxxx	1	Plate, straight (Splash guard fit. kit Razor™ Plus)
31	xxxxxxx	1	Plate, straight w/hole (Splash guard fit. kit Razor™ Plus)
32	08603968	1	Plate, bent
33	56325608	1	Hub,brush right red.gearmotor
34	08603822	1	Hub,brush left red.gearmotor
35	909 5894 000	2	Roller bumper kit (11-14-15-18-42)
[35*]	909 5950 000	1	Roller bumper kit for special use - see TSB IT 2005-004
36	909 5398 000	1	Splash guard fit. kit Razor™ Plus 24D/ 26D (4-5-17-21-23-27-30-31)
36	909 5407 000	1	Splash guard fit. kit Razor™ Plus 28D (4-5-17-21-23-27-30-31)
37	909 5380 000	1	Carbon brush kit (4 pcs)
38	08603939	2	Kit pad holder w/ center lock 12"
38	909 5330 000	2	Kit pad holder w/ center lock 13"
38	909 5331 000	2	Kit pad holder w/ center lock 14"
[39]	909 5495 000	1	Scrub deck 24"
[39]	909 5496 000	1	Scrub deck 26"
[39]	909 5497 000	1	Scrub deck 28"
40	909 5483 000	4	Clamp
41	08603689	6	Washer flat 6x18 SS
42	xxxxxxx	2	Nut hex low M6



Item No.	Ref. No.	Qty	Description
1	xxx xxxx xxx	4	Spacer ø 6,5x25x2,5 (Razor™ Plus 24C-28C Hardware kit)
2	145 9120 000	2	Washer flat 8x17 (Roller Kit Razor™ Plus 24C-28C)
3	909 5141 000	1	Hose 320 mm length
4	56325538	2	Washer flat 8x17
5	08361400	6	Nut hex self locking low M6
6	56363855	2	Bumper roller
7	08603682	12	Nut hex self locking low M6 SS
8	xxxxxxx	6	Screw cyl hd M6x12 (Razor™ Plus 24C-28C Hardware kit)
9	08812095	8	Screw cyl M6x16
10	56407551	2	Brush support
11	145 0253 000	2	Screw hex hd M6x20 SS
12	145 0493 000	2	Washer flat 6x24 SS
13	145 0498 000	6	Screw hex hd M6x12 SS
14	145 4472 000	2	Screw hex hd M6x40
15	xxx xxxx xxx	20	Washer flat 6x12,5 (Razor™ Plus 24C-28C Hardware kit)
16	xxx xxxx xxx	10	Washer split 6 (Razor™ Plus 24C-28C Hardware kit)
17	xxx xxxx xxx	8	Screw hex hd M6x16 (Razor™ Plus 24C-28C Hardware kit)
18	xxx xxxx xxx	4	Screw M6x20 (Razor™ Plus 24C-28C Hardware kit)
19	145 9774 000	4	Key 5x5x20
20	xxx xxxx xxx	4	Washer flat 6x16 (Razor™ Plus 24C-28C Hardware kit)
21	146 1232 000	2	Spacer ø15x20x4
22#	909 5964 000	2	Knob M8
23	145 4366 000	1	Pipe holder T ø12
24	909 5516 000	2	Hose clamp ø18
25	909 5710 000	2	Spacer ø6,5x9,5x24
26	909 5724 000	1	Right crankcase belt protection
27	909 5725 000	1	Left crankcase belt protection
28	909 5727 000	1	Dirt container (Razor™ Plus 24C)
28#	909 6225 000	1	Dirt container (Razor™ Plus 28C)
29	909 5728 000	1	Brush hub
30	909 5750 000	1	Frame cylindrical deck 24"
30	909 5751 000	1	Frame Cylindrical deck 28"
31	909 5752 000	1	Splash guard cylindrical deck
32	909 5754 000	2	Spacer ø14x22x8
33	909 5755 000	2	Pin brush pulley
34	909 5756 000	2	Brush support
35	909 5757 000	2	Brush pulley support
36	909 5758 000	2	Pulley
37	909 5759 000	2	Pulley
38	909 5760 000	1	Belt
39	909 5761 000	1	Belt
40	909 5769 000	4	Plate splash guard fixing
41	909 5770 000	4	Splash guard cylindrical deck
42	909 5772 000	1	Hose copper
43	909 5773 000	2	Electric motor W400 24V - 24"
43	909 5774 000	2	Electric motor W600 24V - 28"
44	909 5802 000	1	Crankcase right motor protection
45	909 5803 000	1	Crankcase left motor protection
46	146 1017 000	2	Key 5x5x15
47	145 2361 000	6	Ball bearing
48#	146 2667 000	2	Screw hex hd M6x14 SS
49	xxxxxxx	2	Nut hex low self loking M8 (Roller Kit Razor™ Plus 24C-28C)
50#	xxx xxxx xxx	2	Washer flat 8x24 (Roller Kit Razor™ Plus 24C-28C)
51	xxx xxxx xxx	2	Belt tensioner roller (Roller Kit Razor™ Plus 24C-28C)
52	xxx xxxx xxx	4	Ball bearing (Roller Kit Razor™ Plus 24C-28C)
53	xxx xxxx xxx	2	Spacer (Roller Kit Razor™ Plus 24C-28C)
54	xxx xxxx xxx	2	Bushing (Roller Kit Razor™ Plus 24C-28C)



2004-12**CYLINDRICAL SCRUB DECK SYSTEM**

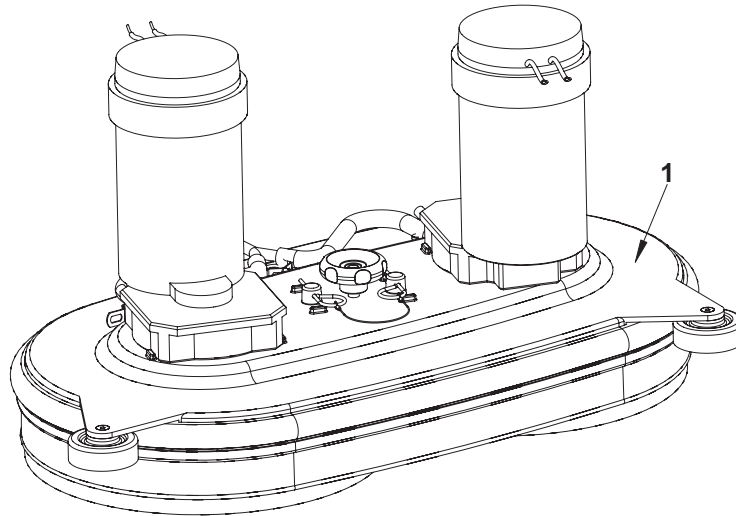
2006-02

RAZOR™ Plus 24C/ 28C

25

Item No.	Ref. No.	Qty	Description
55	xxx xxxx xxx	2	Pin (Roller Kit Razor™ Plus 24C-28C)
56	909 5753 000	2	Washer split 6 SS
57	909 5957 000	4	Pipette
[58]	909 5799 000	1	Harness scrub deck
[59]	909 5877 000	4	Carbon brush for electric motor 909 5773 000 (Razor™ Plus 24C)
[60]	08603949	1	Carbon brush set for electric motor 909 5774 000 (Razor™ Plus 28C)
61#	909 6360 000	1	Roller Kit Razor™ Plus 24C-28C (2-49-50-51-52-53-54-55)
62#	909 6263 000	1	Razor™ Plus 24C-28C Hardware kit (1-8-15-16-17-18-20)

Item	Ref. No.	Qty	Description
1#	909 5497 000	1	(24") Brush Deck kit
1#	909 5495 000	1	(26") Brush Deck Kit
1#	909 5496 000	1	(28") Brush Deck Kit
[2]#	909 5971 000	1	Installation Instructions



Ref. No. 24" BRUSHES

- 08603842 - Prolene
- 08603873 - Midgrit 240
- 08603872 - Midlite Grit 180
- 08603874 - Prolite
- 08603875 - Union Mix
- 08603939 - Pad holder kit

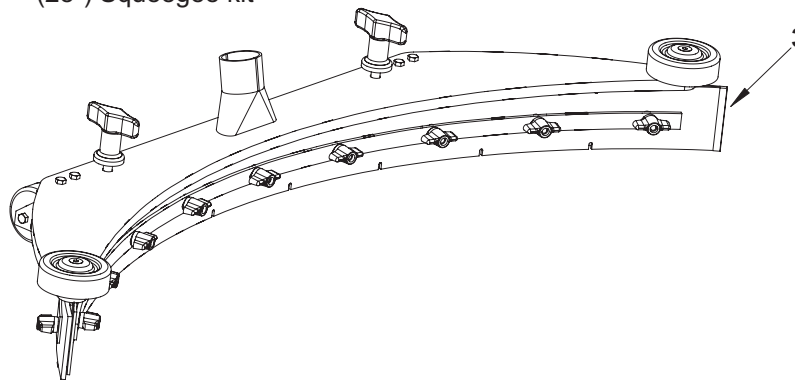
Ref. No. 26" BRUSHES

- 909 5332 000 - Prolene
- 909 5334 000 - Midgrit 240
- 909 5336 000 - Midlite Grit 180
- 909 5338 000 - Prolite
- 909 5340 000 - Union Mix
- 909 5330 000 - Pad holder kit

Ref. No. 28" BRUSHES

- 909 5333 000 - Prolene
- 909 5335 000 - Midgrit 240
- 909 5337 000 - Midlite Grit 180
- 909 5339 000 - Prolite
- 909 5341 000 - Union Mix
- 909 5331 000 - Pad holder kit

Item	Ref. No.	Qty	Description
3	909 5372 000	1	(24") Squeegee kit
3	909 5373 000	1	(28") Squeegee kit



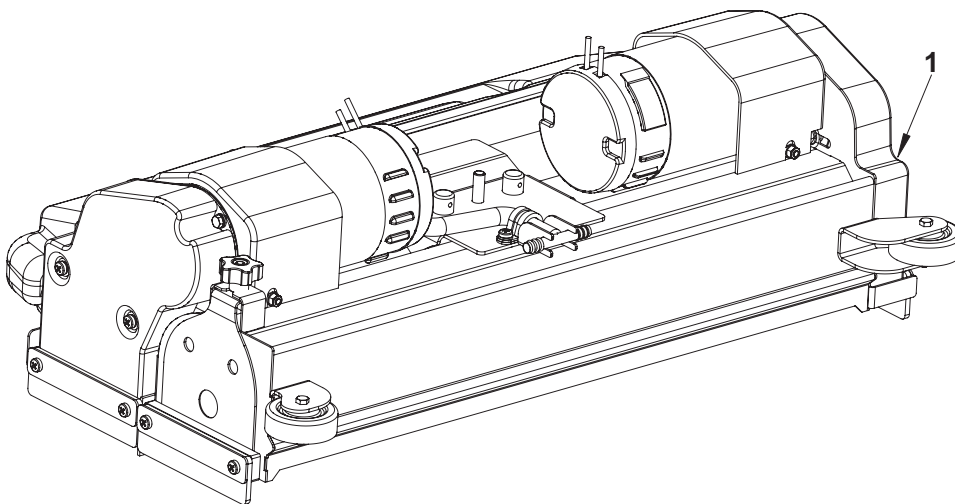
Ref. No. 24" Squeegee Blades

- 08603830 - Front blade standard
- 08603832 - Rear blade standard
- 08603973 - Oil resistant blade kit
- 909 5629 000 - Non marking front blade

Ref. No. 28" Squeegee Blades

- 909 5348 000 - Front blade standard
- 909 5350 000 - Rear blade standard
- 909 5466 000 - Oil resistant blade kit
- 909 5513 000 - Non marking front blade

Item	Ref. No.	Qty	Description
1	909 5875 000	1	(24") Cylindrical Deck kit
1	909 5876 000	1	(28") Cylindrical Deck Kit
[2]	909 5962 000	1	Installation Instructions TSB IT 2005-001

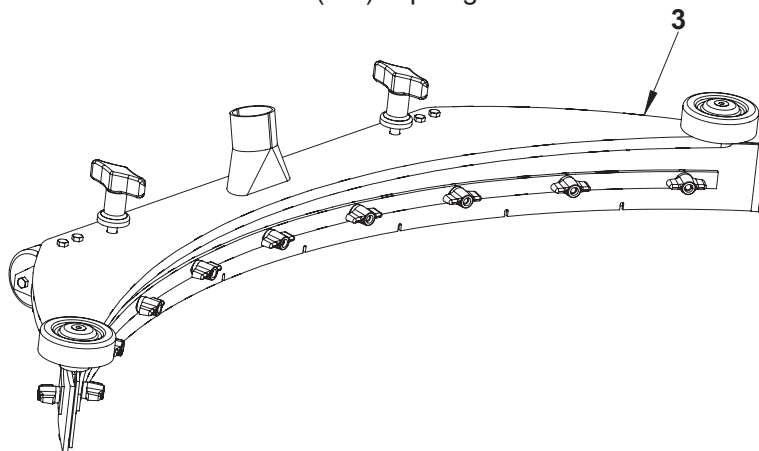
**Ref. No. 24" BRUSHES**

56314389 - Soft Nylon
 56314390 - Hard Nylon
 56314391 - Prolene
 56314392 - 180 Grit
 56314393 - 80 Grit
 56314394 - 46 Grit

Ref. No. 28" BRUSHES

56412191 - Soft Nylon
 56412192 - Hard Nylon
 56412046 - Prolene
 56412193 - 180 Grit
 56412194 - 80 Grit
 56412195 - 46 Grit

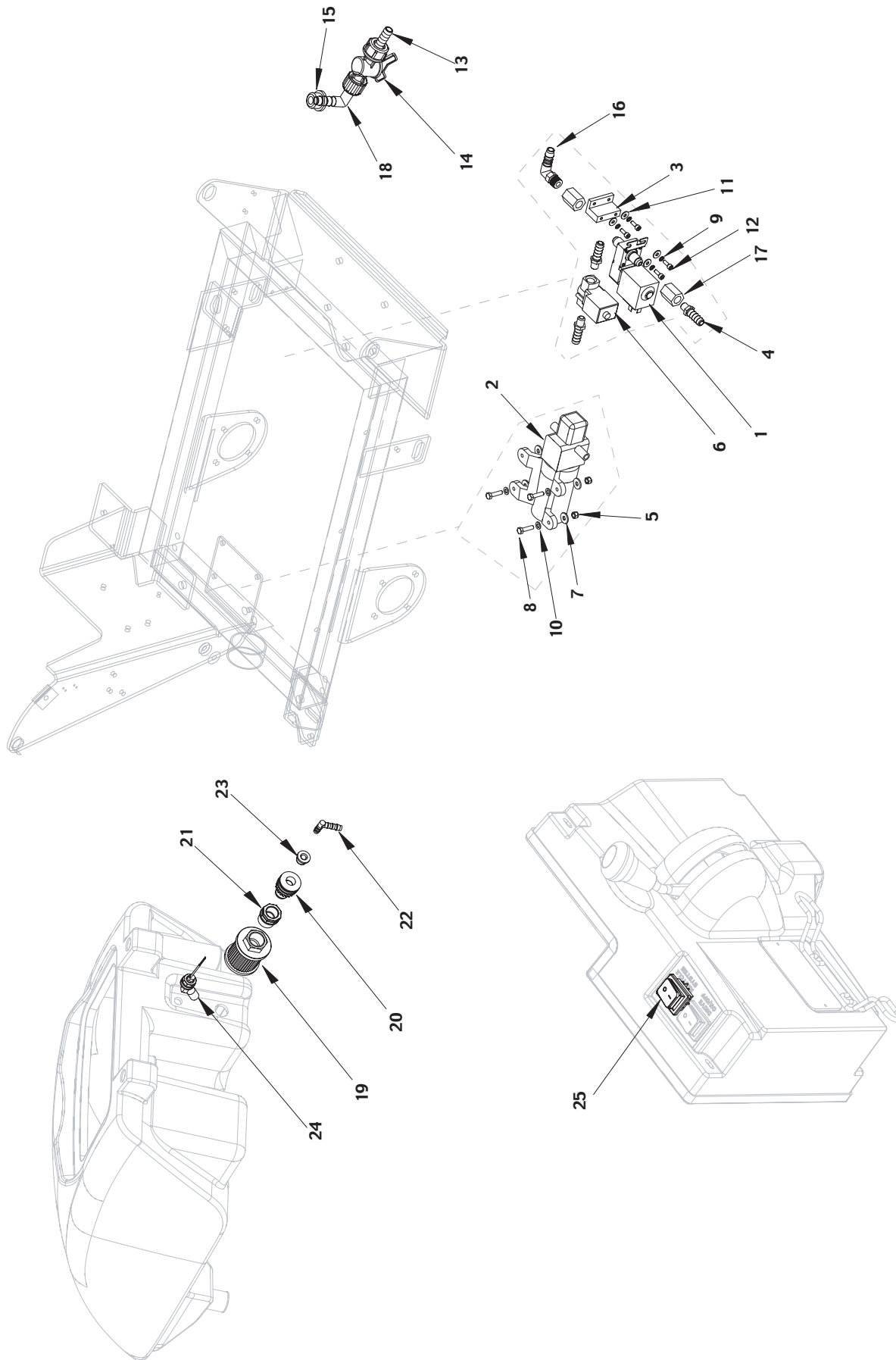
Item	Ref. No.	Qty	Description
3	909 5372 000	1	(24") Squeegee kit
3	909 5373 000	1	(28") Squeegee kit

**Ref. No. 24" Squeegee Blades**

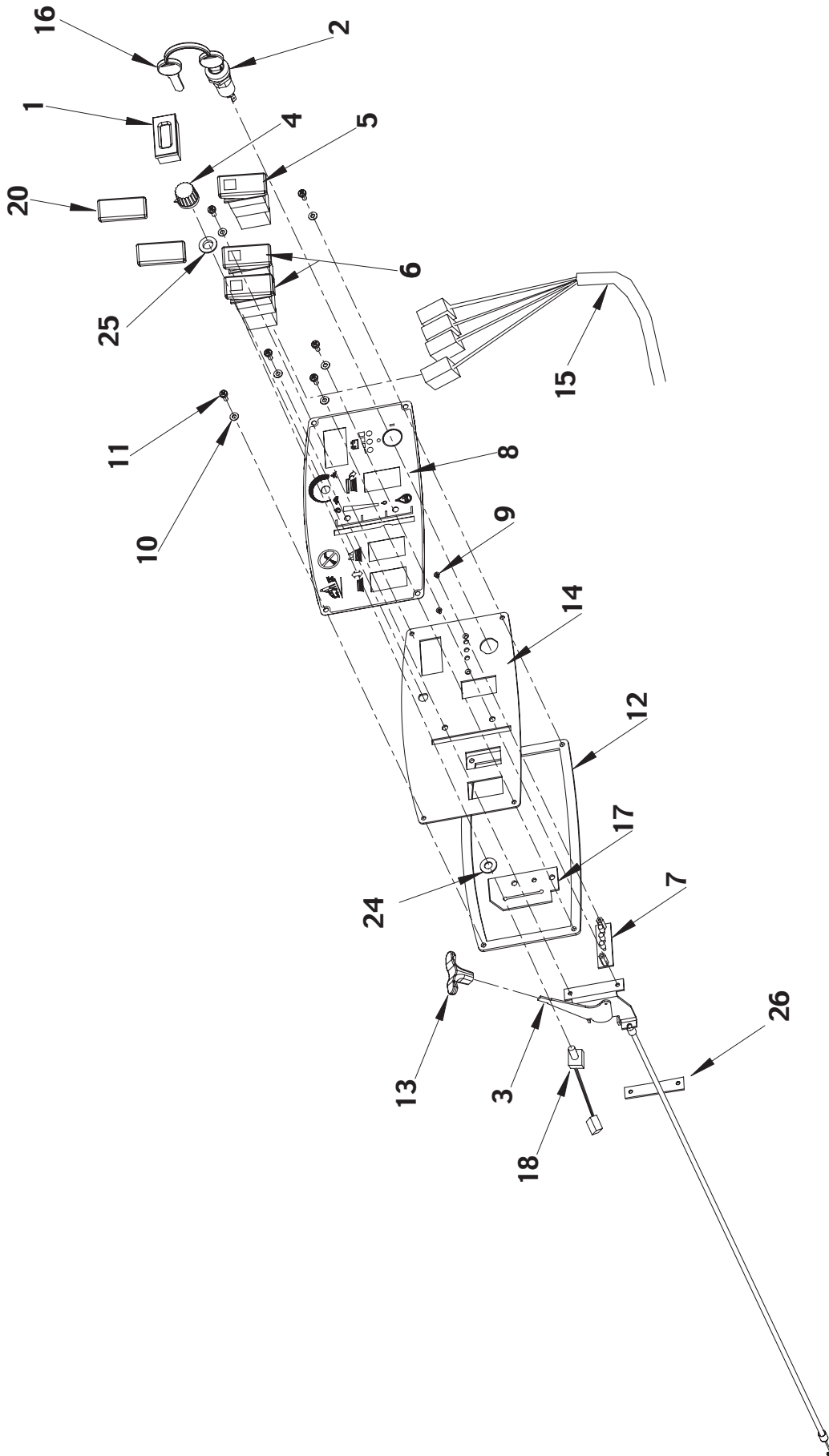
08603830 - Front blade standard
 08603832 - Rear blade standard
 08603973 - Oil resistant blade kit
 909 5629 000 - Non marking front blade

Ref. No. 28" Squeegee Blades

909 5348 000 - Front blade standard
 909 5350 000 - Rear blade standard
 909 5466 000 - Oil resistant blade kit
 909 5513 000 - Non marking front blade

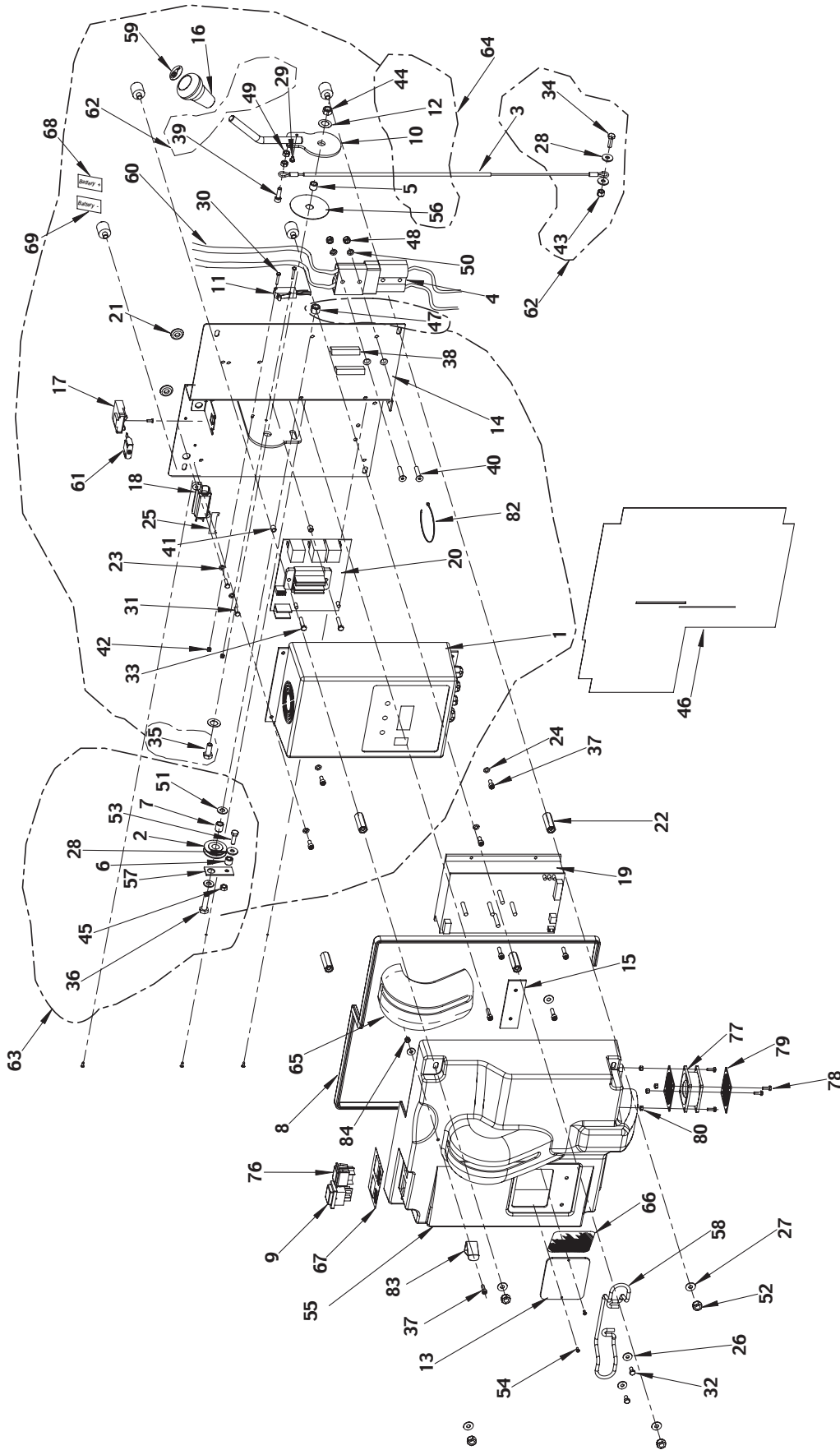


Item No.	Ref. No.	Qty	Description
1#	909 5926 000	1	Solenoid Valve NO
2#	909 5932 000	1	Pump
3#	xxx xxxx xxx	1	Block
4#	xxxxxxxx	3	Rubber holder 1/4
5#	xxxxxxxx	4	Nut hex. low self lock M5
6#	08812912	1	Solenoid Valve
7#	xxx xxxx xxx	4	Washer flat 5X15
8#	xxx xxxx xxx	4	Screw M5X20
9#	xxx xxxx xxx	4	Washer split 4
10#	xxx xxxx xxx	4	Washer flat 5X10
11#	xxx xxxx xxx	4	Washer flat 4X12
12#	xxx xxxx xxx	4	Screw M4X12
13#	xxx xxxx xxx	1	Rubber holder d10
14#	909 5023 000	1	Valve
15#	xxx xxxx xxx	1	Gasket
16#	xxx xxxx xxx	1	Rubber holder 90° d10
17#	xxx xxxx xxx	2	Extension
18#	xxx xxxx xxx	1	Rubber holder 1/2
19#	909 5952 000	1	Filter for recycle
20#	xxx xxxx xxx	1	Tank adaptor
21#	xxx xxxx xxx	1	Reduction
22#	xxx xxxx xxx	1	Elbow 90° d10 nylon
23#	xxx xxxx xxx	1	Gasket
24#	145 8494 000	1	Microswitch
25#	909 5584 000	1	Switch
[26]#	xxx xxxx xxxx	3	T elbow
[27]#	xxx xxxx xxxx	1	Recycle harness
[28]#	xxxxxxxx	6	Clamp
[29]#	xxx xxxx xxxx	1	Drilling Mask
[30]#	xxx xxxx xxxx	1	Hose
[31]*#	909 6479 000	1	Recycle kit complete
[32]#	909 6480 000	1	Installation instruction for recycle kit

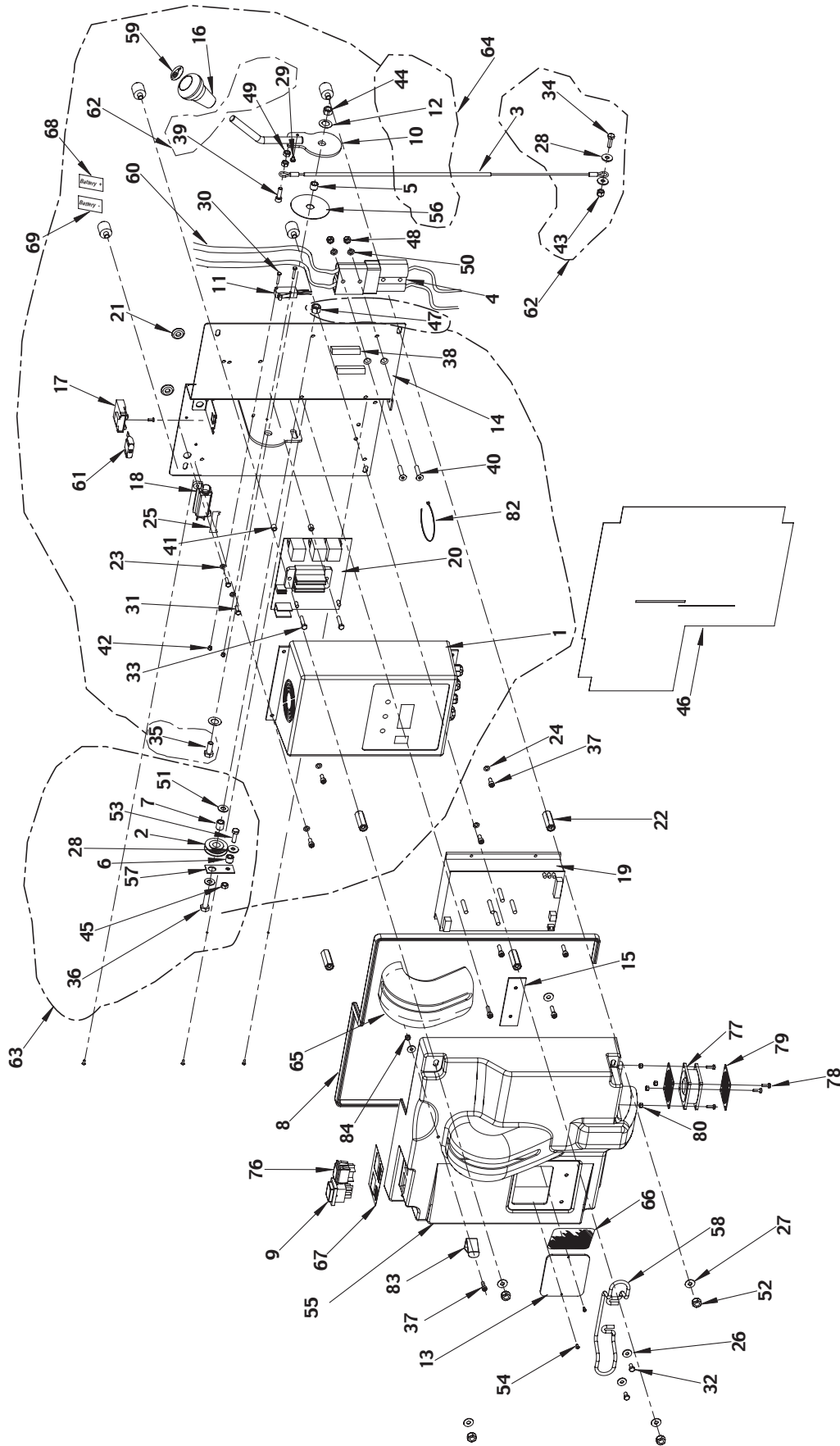


Item No.	Ref. No.	Qty	Description
1	56325728	1	Counter hour 24V
2#	146 2888 000	1	Key switch
3#	909 6421 000	1	Lever, water faucet
4	145 4719 000	1	Knob for potentiometer
5	909 5251 000	1	Click off switch
6	909 5250 000	2	Switch
7	08812909	1	Led electronic board
8	909 5249 000	1	Control panel decal
9	909 5284 000	2	Screw M3x6
10	145 0441 000	6	Washer flat 4x9 SS
11	08603684	6	Screw pan phil M4x10
12	909 5252 000	1	Control panel gasket
13	08603790	1	Knob
14	909 5248 000	1	Control panel
15	909 5449 000	1	Machine harness see TSB IT 2005-002
16#	146 2887 000	1	Key (2 pcs)
17	909 5322 000	1	Protection gasket
18	909 5479 000	1	Drive max speed potentiometer
[19]	909 5448 000	1	Harness traction see TSB IT 2005-002
20	909 5836 000	2	Cap 24C - 28C
[21]	909 5796 000	1	Kit ground cable
[22]	909 5798 000	1	Installation Instructions Kit ground cable
[23]	56397029	1	Drive speed potentiometer
24#	909 6496 000	1	Spacer
25a#	909 5999 000	1	Bush
26#	909 6261 000	1	Plate

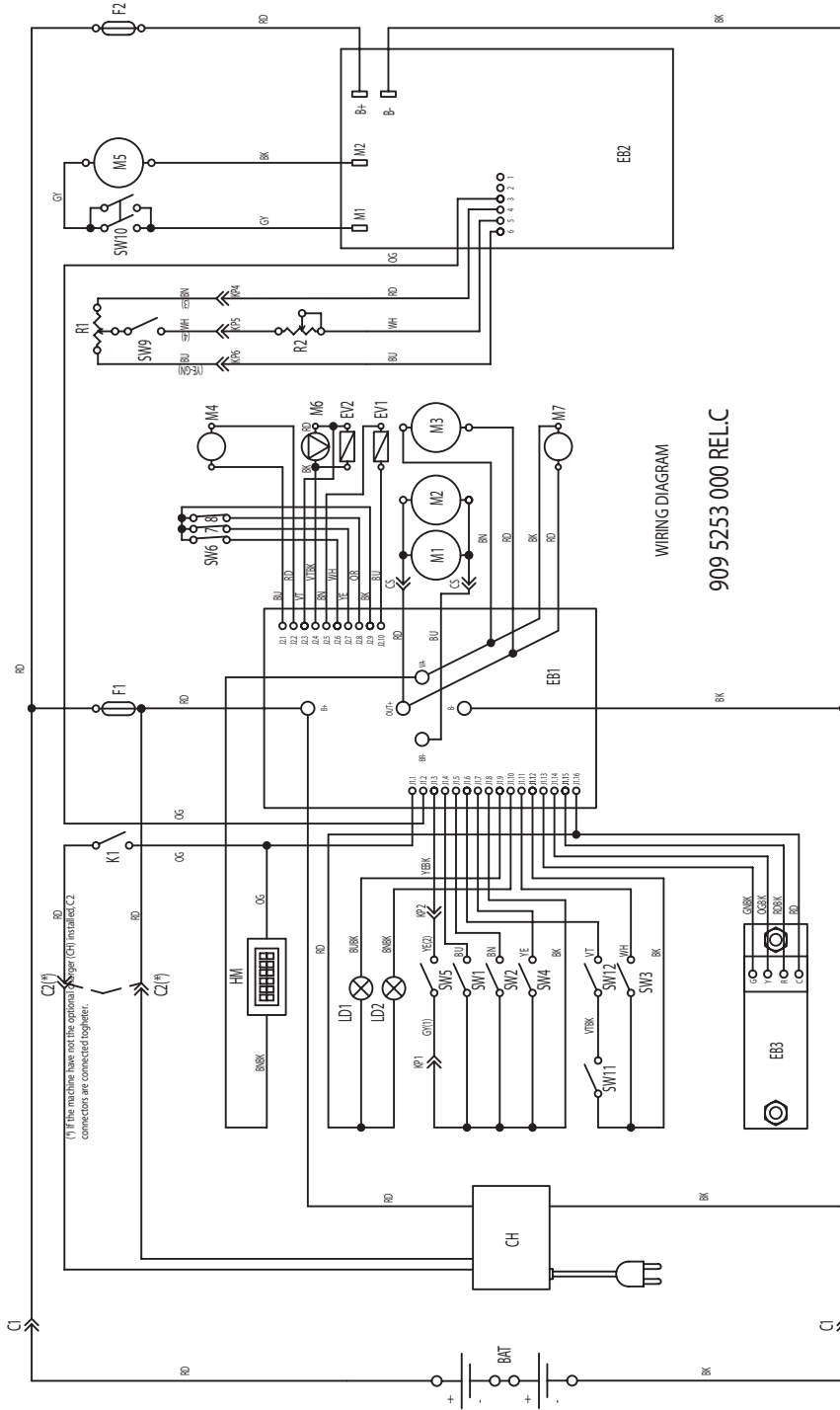
a: See TSB 2005-026



Item No.	Ref. No.	Qty	Description
1	909 5478 000	1	Battery charger kit
2	xxx xxxx xxx	1	Pulley (Wiring system Hardware kit)
3	xxx xxxx xxx	1	Squeegee lift cable (Squeegee lever cable kit)
4	145 6063 000	1	Battery connector
5	xxx xxxx xxx	1	Spacer ø8,2xø12x9,6 (Squeegee lever Hardware kit)
6	xxx xxxx xxx	1	Spacer ø6,5xø12x10 (Wiring system Hardware kit)
7	xxx xxxx xxx	1	Spacer ø8,2xø12x13,5 (Wiring system Hardware kit)
8	909 5374 000	1	Gasket leng.1200 mm
9	909 5309 000	1	Drive switch
10	xxx xxxx xxx	1	Lever (Squeegee lever Hardware kit)
11	145 4799 000	1	Microswitch
12	xxx xxxx xxx	2	Spring (Squeegee lever Hardware kit)
13	909 5313 000	1	Inspection plate
14	909 5219 000	1	Support
15	909 5323 000	1	Fixing plate
16	909 5223 000	1	Knob
17	146 0659 000	1	Fuse holder
18	145 8046 000	1	Fuse holder
19	909 5749 000	1	Functions electronic board
20	909 5255 000	1	Drive electronic board
21	145 3798 000	2	Chock ø12
22	909 5436 000	4	Spacer
23	145 9144 000	2	Washer flat 4x9
24#	56001954	4	Washer flat 5x10
25	145 1980 000	1	Functions fuse 100A
26#	145 1261 000	3	Washer flat 5x15
27	08603689	8	Washer flat 6x18
28	xxx xxxx xxx	3	Washer flat 6x18 (Squeegee lever cable kit- Wiring system hardware kit)
29	xxxxxxx	1	Screw M4x5 (Squeegee lever cable kit)
30	145 1162 000	2	Screw hex hd M3x20
31	145 9141 000	2	Screw hex hd M4x16
32	145 1238 000	2	Screw hex hd M5x10
33	145 4485 000	2	Screw hex hd M5x25
34	xxx xxxx xxx	1	Screw hex hd M6x20 (Squeegee lever cable kit)
35#	xxx xxxx xxx	1	Screw M8x20 (Squeegee lever Hardware kit)
36	xxx xxxx xxx	1	Screw hex hd M8x30 (Wiring system Hardware kit)
37#	145 9253 000	9	Screw M5x16
38	909 5519 000	1	Gasket L=260 mm
39	xxx xxxx xxx	1	Screw M6x20 (Squeegee lever cable kit)
40	145 9740 000	2	Screw M6x30
41	08812322	2	Spacer ø5xø8x8
42	145 9124 000	2	Nut hex self lock M3
43	xxxxxxx	1	Nut hex self lock M6 (Squeegee lever cable kit)
44	xxxxxxx	1	Nut hex low self lock M8 (Squeegee lever Hardware kit)
45	xxxxxxx	1	Nut hex low M6 (Wiring system Hardware kit)
46	909 5314 000	1	Protection
47	xxx xxxx xxx	1	Nut hex self lock M8 SS (Wiring system Hardware kit)
48	08603682	2	Nut hex self lock M6 SS
49	xxx xxxx xxx	2	Nut hex M6 SS (Squeegee lever cable kit)
50	145 9961 000	2	Washer flat 6x12,5
51	xxxxxxx	2	Washer flat 8x17 SS (Wiring system Hardware kit)
52	08050200	4	Nut cap M6
53	xxx xxxx xxx	1	Screw M6x20 SS (Wiring system Hardware kit)
54	145 1756 000	2	Screw 2,9x9,5 thd from SS
55	909 5777 000	1	Electronic card cover starting from serial no. 1776829
56	xxx xxxx xxx	1	Spacer (Squeegee lever Hardware kit)
57	xxx xxxx xxx	1	Plate (Wiring system Hardware kit)



Item No.	Ref. No.	Qty	Description
58	909 5149 000	1	Support
59	xxx xxxx xxx	1	Decal, suction (Decal kit, Razor™ Plus 24D/ 26D/ 28D /24C /28C)
60	909 5444 000	1	Harness, battery
61	909 5101 000	1	Drive system fuse 30A
62	909 5399 000	1	Squeegee lever cable kit (3-28-29-34-39-43-49)
63	909 5400 000	1	Wiring system Hardware kit (2-6-7-28-36-45-47-51-53-57)
64	909 5401 000	1	Squeegee lever Hardware kit (5-10-12-35-44-56)
65	909 5437 000	1	Gasket
66	xxx xxxx xxx	1	Decal inspection plate(Decal kit, Razor™ Plus 24D/ 26D/ 28D/ 24C /28C)
67	xxx xxxx xxx	1	Decal drive on/off (Decal kit, Razor™ Plus 24D/ 26D/ 28D /24C /28C)
68	xxxxxxxx	1	Decal clamp +(Decal kit, Razor™ Plus 24D/ 26D/ 28D /24C /28C)
69	xxxxxxxx	1	Decal clamp - (Decal kit, Razor™ Plus 24D/ 26D/ 28D /24C /28C)
[70]	146 2141 000	1	Fuse 15A
[71]	146 2140 000	1	Card electronic battery charger
[72]	146 2143 000	1	Card, display - battery charger
[73]	146 2145 000	1	Cable, net - battery charger
[74]	146 2142 000	1	Cooling fan - battery charger
[75]	146 0801 000	1	Switch wet/gel - battery charger
76	909 5767 000	1	Cap
77#	909 6131 000	1	Cooling fan
78	145 9291 000	4	Screw hex hd M4x12
79	909 5801 000	2	Protection grid
80	145 5743 000	4	Nut hex self locking M4
[81]	909 5831 000	1	Cooling fan harness
82	145 0524 000	1	Clamp
83#	909 6264 000	1	Fixing lever clamp
84#	08603704	1	Nut hex low self lock M5



WIRING DIAGRAM
909 5253 000 REL.C

IT IS THE USER'S RESPONSIBILITY TO USE THE APPROPRIATE WIRING CONNECTORS (CH) INSTALLED IN THE CONNECTORS AS CONNECTED TOGETHER.

COLORS CODES	
BK	BLACK nero
BU	BLUE azzurro
BN	BROWN marrone
GN	GREEN verde
GY	GREY grigio
OG	ORANGE arancio
PK	PINK rosa
RD	RED rosso
VT	VIOLET viola
WH	WHITE bianco
YE	YELLOW giallo

COMPONENTS			
BAT	24V BATTERIES	M4	ACTUATOR 24V 909 5189 000
C1	BATTERY CONNECTOR 145 6063 000	M5	DRIVE MOTOR 24V W200 909 5204 000
CH	BATTERY CHARGER KIT 909 5478 000	M6	RECYCLING WATER PUMP (OPT)not available yet
CH2	SECONDARY CHARGER CONNECTORS included in 909 5478 000	M7	COOLING FAN (for models w. cylindrical deck)909 5800 000
CH3	BATTERY CHARGER KIT 909 5478 000	R1	DRIVE SPEED POTENTIOMETER 56397029
EB1	FUNCTIONS ELECTRONIC BOARD 909 5749 000	R2	DRIVE MAX SPEED POTENTIOMETER 909 5479 000
EB2	DRIVE ELECTRONIC BOARD 909 5255 000	SW1	BRUSHES CONTROL SWITCH 909 5250 000
EB3	LED ELECTRONIC BOARD 08812909	SW2	EXTRAPRESSURE SWITCH 909 5250 000
EV1	SOLENOID VALVE 24V 909 5443 000	SW3	VACUUM MICROSWITCH 145 4799 000
EV2	RECYCLING ELECTROVALVE (OPT)	SW4	CLICK-OFF SWITCH 909 5251 000
F1	FUNCTIONS FUSE 145 1980 000	SW5	PADDLE MICROSWITCH 08812580
F2	DRIVE SYSTEM FUSE 909 5101 000	SW6	ACTUATOR LIMIT MICROSWITCH (POS.0)included in 909 5189 000
HM	COUNTER HOUR 56325728	SW7	ACTUATOR LIMIT MICROSWITCH (POS.1)included in 909 5189 000
K1	KEY SWITCH 145 0372 000	SW8	ACTUATOR LIMIT MICROSWITCH (POS.2)included in 909 5189 000
LD1	BRUSHES SWITCH WARNING LIGHT included in 909 5250 000	SW9	PADDLE DRIVE MICROSWITCH 08812580
LD2	EXTRAPRESSURE SWITCH WARNING LIGHT included in 909 5250 000	SW10	DRIVE SWITCH 909 5309 000
M1	LEFT BRUSH MOTOR	SW11	RECYCLING WATER CONTROL SW (OPT)not available yet
M2	RIGHT BRUSH MOTOR	SW12	RECYCLING WATER FLOATING SW (OPT)not available yet
M3	VACUUM MOTOR included in kit 909 5370 000		

RAZOR P 24D	RAZOR P 26D	RAZOR P 28D	RAZOR P 24C	RAZOR P 28C	Qty	Description
Tank Systems						
08603228	08603228	08603228	08603228	08603228	1	Gasket cover
909 5240 000	909 5240 000	909 5240 000	909 5240 000	909 5240 000	1	Drain hose
909 6230 000	909 6230 000	909 6230 000	909 6230 000	909 6230 000	1	Vacuum hose
909 5235 000	909 5235 000	909 5235 000	909 5235 000	909 5235 000	1	Fresh water hose
909 5236 000	909 5236 000	909 5236 000	909 5236 000	909 5236 000	1	Closure, fresh water hose
909 5382 000	909 5382 000	909 5382 000	909 5382 000	909 5382 000	1	Elbow solution tank kit
909 5245 000	909 5245 000	909 5245 000	909 5245 000	909 5245 000	1	Hose, vacuum motor
909 5383 000	909 5383 000	909 5383 000	909 5383 000	909 5383 000	1	Cover vacuum motor kit
08095000	08095000	08095000	08095000	08095000	3	O-ring 4106
909 5370 000	909 5370 000	909 5370 000	909 5370 000	909 5370 000	1	Vacuum motor kit
909 5371 000	909 5371 000	909 5371 000	909 5371 000	909 5371 000	2	Carbon brush
909 5386 000	909 5386 000	909 5386 000	909 5386 000	909 5386 000	1	Hardware vacuum motor kit
909 5197 000	909 5197 000	909 5197 000	909 5197 000	909 5197 000	1	Insulation acoustic
909 5300 000	909 5300 000	909 5300 000	909 5300 000	909 5300 000	1	Insulation acoustic
909 5199 000	909 5199 000	909 5199 000	909 5199 000	909 5199 000	1	Hose, flexible w/elbow
145 0543 000	145 0543 000	145 0543 000	145 0543 000	145 0543 000	5	Clamp
56412093	56412093	56412093	56412093	56412093	1	Clamp
909 6421 000	909 6421 000	909 6421 000	909 6421 000	909 6421 000	1	Lever water faucet
Wheels /Chassis/ Solution Systems						
909 5201 000	909 5201 000	909 5201 000	909 5201 000	909 5201 000	2	Front wheel
909 5202 000	909 5202 000	909 5202 000	909 5202 000	909 5202 000	1	Rear wheel
909 5204 000	909 5204 000	909 5204 000	909 5204 000	909 5204 000	1	Motor drive
145 5124 000	145 5124 000	145 5124 000	145 5124 000	145 5124 000	2	Carbon brush
909 5443 000	909 5443 000	909 5443 000	909 5443 000	909 5443 000	1	Solenoid valve 24V
909 5207 000	909 5207 000	909 5207 000	909 5207 000	909 5207 000	1	Water filter complete
909 5477 000	909 5477 000	909 5477 000	909 5477 000	909 5477 000	1	Solenoid valve kit
909 5395 000	909 5395 000	909 5395 000	909 5395 000	909 5395 000	1	Valve complete kit
909 5787 000	909 5787 000	909 5787 000	909 5787 000	909 5787 000	1	Kit valve w/pipe holder
909 6032 000	909 6032 000	909 6032 000	909 6032 000	909 6032 000	1	Actuator
145 4284 000	145 4284 000	145 4284 000	145 4284 000	145 4284 000	1	Vibration damping
145 8053 000	145 8053 000	145 8053 000	145 8053 000	145 8053 000	1	Vibration damping
909 5182 000	909 5182 000	909 5182 000	909 5182 000	909 5182 000	2	Vibration damping
Squeegee System						
08603830	08603830	909 5348 000	08603830	909 5348 000	1	Blade front
08603832	08603832	909 5350 000	08603832	909 5350 000	1	Blade rear
08603880	08603880	08603880	08603880	08603880	2	Squeegee bumper roller kit
08603879	08603879	08603879	08603879	08603879	2	Squeegee wheel kit
145 0461 000	145 0461 000	145 0461 000	145 0461 000	145 0461 000	11	Wing nut
08603675	08603675	08603675	08603675	08603675	2	Squeegee thumb nut
909 5399 000	909 5399 000	909 5399 000	909 5399 000	909 5399 000	1	Cable squeegee lift kit
Disc Scrub Deck System						
08602460	08602460	08602460			2	Roller bumper
909 5230 000	909 5230 000	909 5230 000			1	Brush Gearmotor
909 5380 000	909 5380 000	909 5380 000			1	Carbon brush kit
146 1037 000	146 1037 000	146 1037 000			1	Handwheel
145 8564 000	145 8564 000	145 8564 000			1	Split pin
909 5224 000	909 5224 000	909 5345 000			1	Splash guard
909 5369 000	909 5369 000	909 5369 000			1	Hose water brush deck kit

RECOMMENDED SPARE PARTS

2004-12

38

RAZOR™ Plus 24D/ 26D/ 28D /24C /28C

2006-02

RAZOR P 24D	RAZOR P 26D	RAZOR P 28D	RAZOR P 24C	RAZOR P 28C	Qty	Description
Electrical System						
909 5749 000	909 5749 000	909 5749 000	909 5749 000	909 5749 000	1	Functions electronic board
909 5255 000	909 5255 000	909 5255 000	909 5255 000	909 5255 000	1	Drive electronic board
145 4799 000	145 4799 000	145 4799 000	145 4799 000	145 4799 000	1	Vacuum Microswitch
909 5314 000	909 5314 000	909 5314 000	909 5314 000	909 5314 000	1	Rubber protection
909 5374 000	909 5374 000	909 5374 000	909 5374 000	909 5374 000	1	Gasket
909 5309 000	909 5309 000	909 5309 000	909 5309 000	909 5309 000	1	Drive Switch
08812909	08812909	08812909	08812909	08812909	1	Led electronic board
909 5251 000	909 5251 000	909 5251 000	909 5251 000	909 5251 000	1	Click off switch
909 5250 000	909 5250 000	909 5250 000	909 5250 000	909 5250 000	2	Switch
145 4719 000	145 4719 000	145 4719 000	145 4719 000	145 4719 000	1	Knob for potentiometer
146 2888 000	146 2888 000	146 2888 000	146 2888 000	146 2888 000	1	Key switch
146 2887 000	146 2887 000	146 2887 000	146 2887 000	146 2887 000	1	Key (2pcs)
56325728	56325728	56325728	56325728	56325728	1	Counter hour 24V
08603790	08603790	08603790	08603790	08603790	1	Knob for water lever
909 5101 000	909 5101 000	909 5101 000	909 5101 000	909 5101 000	1	Drive system fuse 30A
145 1980 000	145 1980 000	145 1980 000	145 1980 000	145 1980 000	1	Functions fuse 100A
Cylindrical Scrub Deck System						
			909 5725 000	909 5725 000	1	Left crankcase belt protection
			909 5724 000	909 5724 000	1	Right crankcase belt protection
			909 5758 000	909 5758 000	2	Pulley
			909 5759 000	909 5759 000	2	Pulley
			909 5760 000	909 5760 000	1	Belt
			909 5770 000	909 5770 000	4	Splash guard cylindrical deck
			56314391		2	Brush 24" prolene
			909 5752 000	909 5752 000	2	Splash guard cylindrical deck
			909 5761 000	909 5761 000	1	Belt
				56412046	2	Brush 28" prolene
			909 6131 000	909 6131 000	1	Cooling fan
			909 5773 000		2	Electric motor 400W 24V
				909 5774 000	2	Electric motor 600W 24V
			909 5877 000		4	Carbon brush for 909 5773 000
				08603949	1	Carbon brush kit for 909 5774 000

KENT

Simple. Clean.

14600 21st Avenue North
Plymouth, MN, 55447-3408

www.kenteuroclean.com

Phone: 800-334-1083

Fax: 866-261-4779

@2006 Printed in Italy