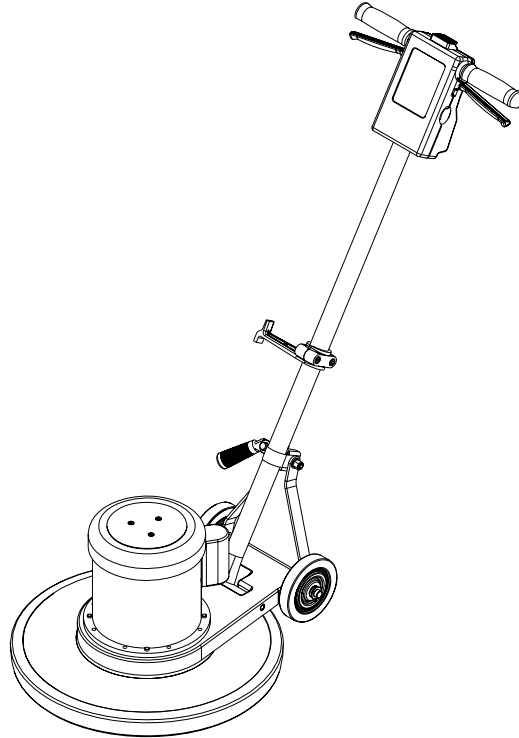


# SD 130

---



---

## **PARTS LIST**

### **MODEL 56201625**

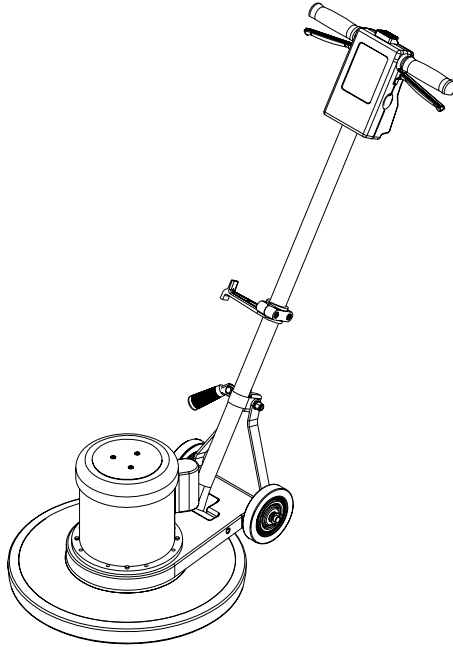


**Nilfisk**  
**Advance**

*setting standards*

4/02 revised 5/04 FORM NO. 56042433



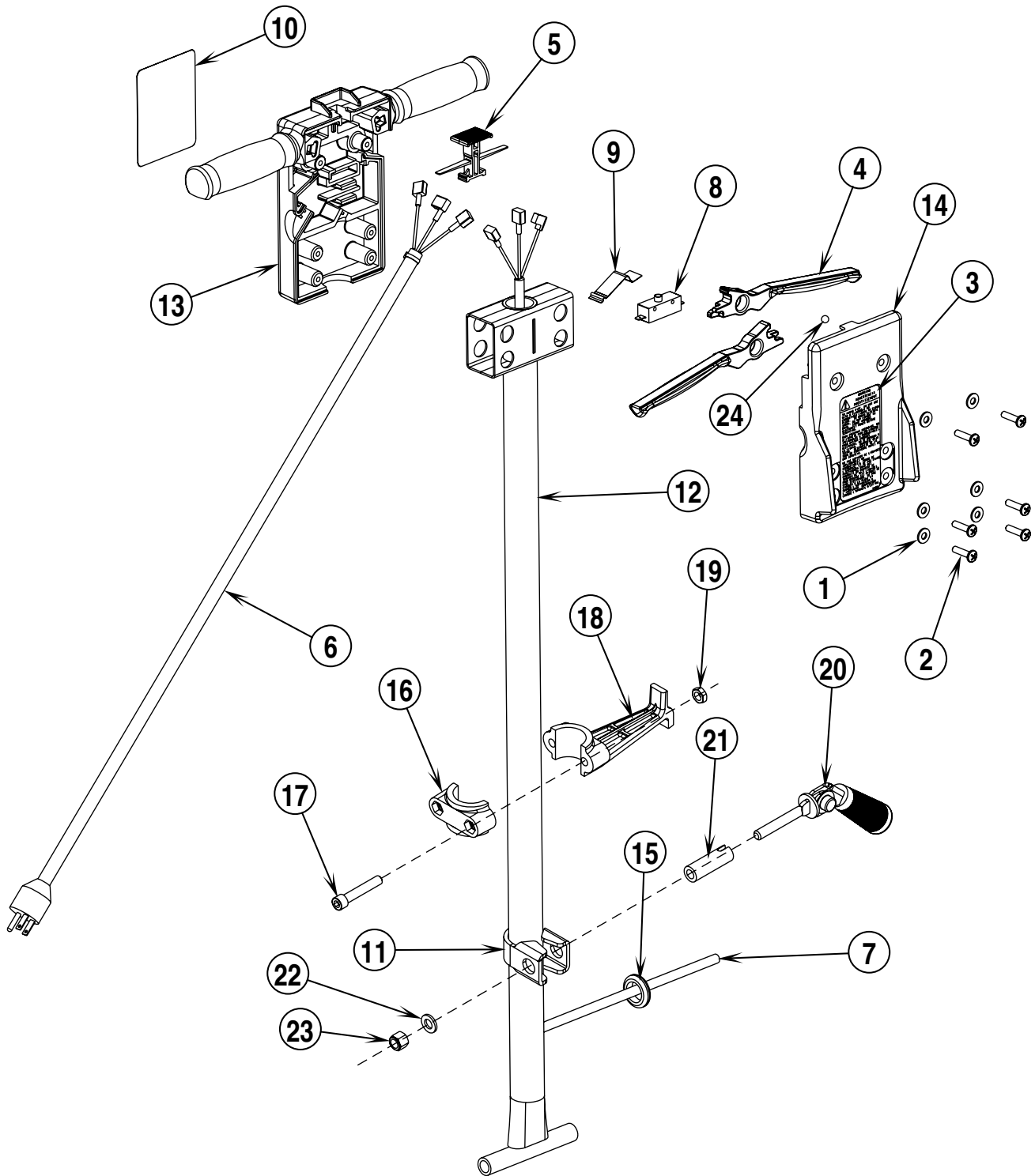


DESCRIPTION	PAGE
HANDLE ASSEMBLY .....	2-3
WIRING DIAGRAM .....	3
BASE ASSEMBLY .....	4-5
MOTOR / GEARBOX REPLACEMENT PARTS .....	6-7

#### WHEN ORDERING PARTS

- \* Use the 8 digit numbers from the "Ref. No." columns in this parts list.
- \* Specify the model and serial number of the machine.
- \* Use the space below to record the model and serial number for future reference.

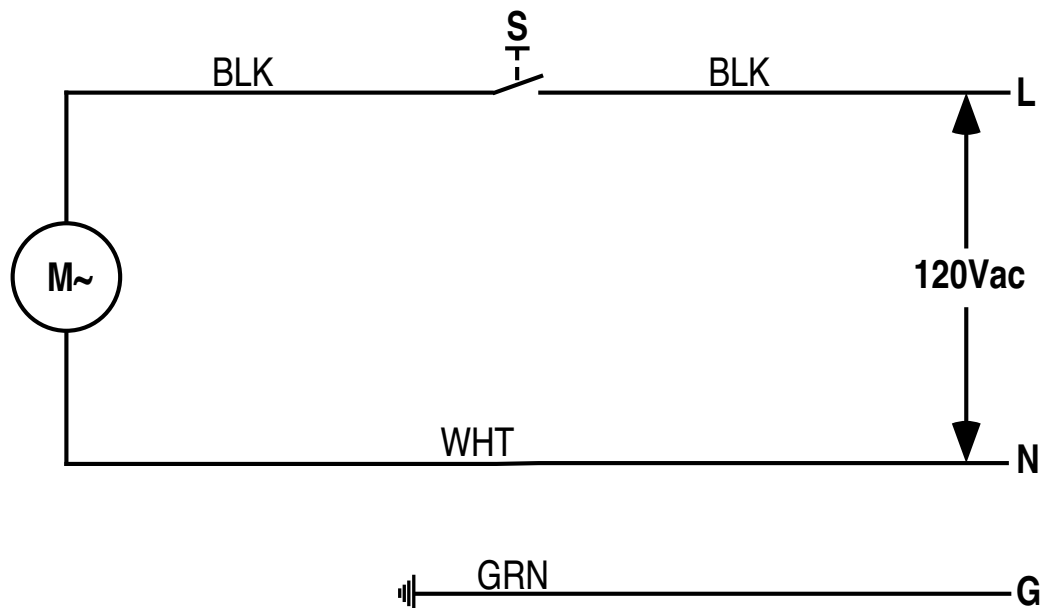
Model \_\_\_\_\_ Serial No. \_\_\_\_\_



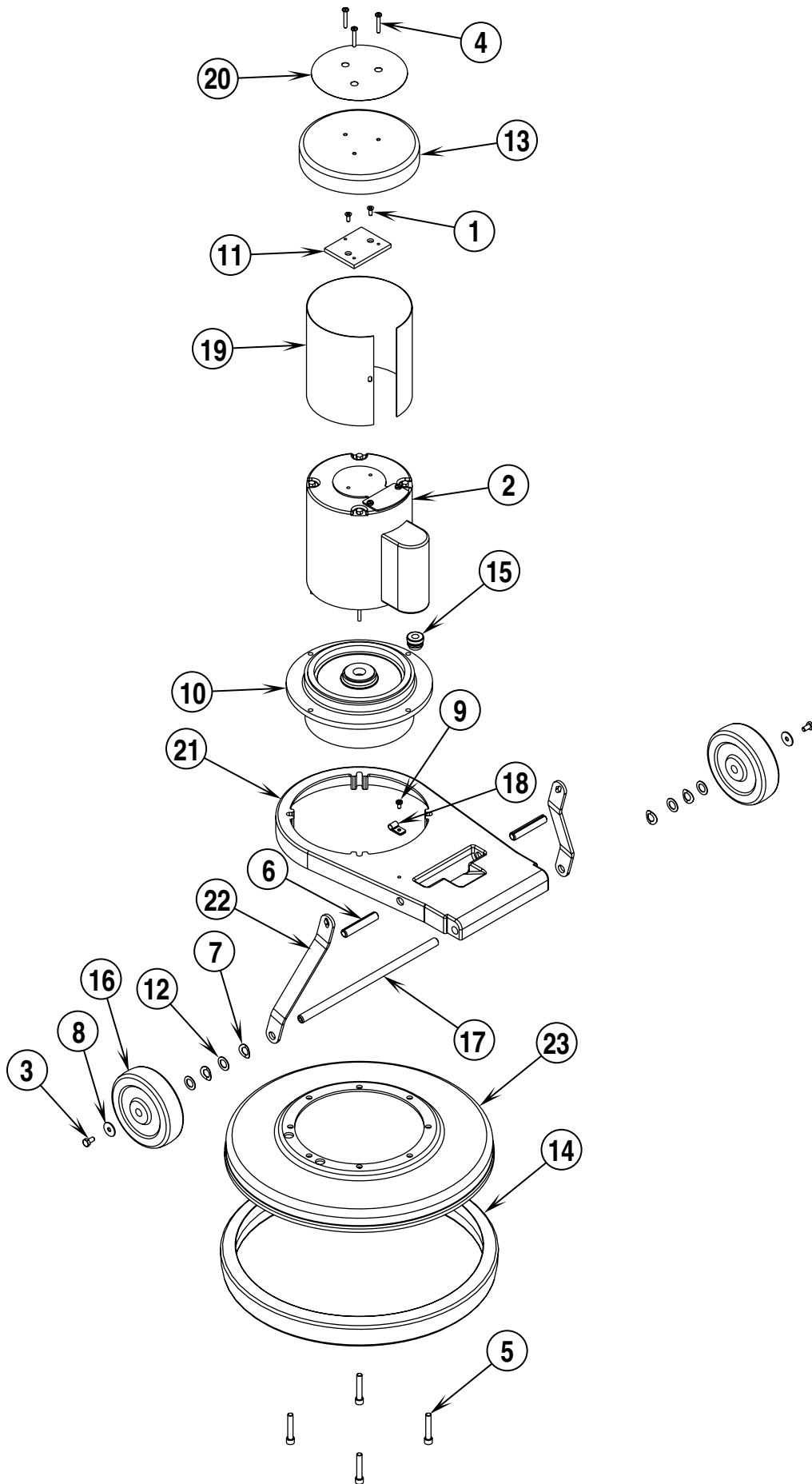
Item	Ref. No.	Qty	Description
1	56002098	6	Wsh, Flt SAE 1/4
2	56002292	6	Scr, Pan Phil 1/4-20 x 1.00
3	56014828	1	Decal, Warning
4	56201027	2	Handle Lever
5	56201031	1	Button, Lock
6	56201032	1	Cord Set, 14/3 x 50'
7	56201769	1	Cord Assembly 14/3
8	56201034	1	Switch, N.O. SPST Snap
9	56263648	1	Spring, Plate
10	56016429	1	Decal, Logo
11	56046595	1	Clamp, Handle - Lock
12	56201655	1	Handle Weldment
13	56201656	1	Handle, Front
14	56201657	1	Handle, Back
15	56055868	1	Grommet
16	56048572	1	Cord Hook, Cap
17	56003508	2	Scr, Soc Hd Loc 5/16-18 x 1.75
18	56048571	1	Cord Hook, Body
19	56009086	2	Nut, Hex Jam 5/16-18
20	56032656	1	Cam Lock
21	56046606	1	Spacer Guide
22	56009214	1	Wsh, Flt .406 x .750 x .090
23	56002769	1	Nut, Hex Nyl Loc 3/8-16
24	56201592	1	Ball, 1/4 SS
**	56038311	1	Solution Tank Kit

\* = Not Shown

\*\* = Optional



Item	Ref. No.	Qty	Description
S	56201034	1	Switch, N.O. SPST Snap
M	56026115	1	Motor 1/2HP



Item	Ref. No.	Qty	Description
1	56002569	2	Scr, Flt Phil Thd Form 10-24 x .50
2	56026115	1	Motor 1/2HP
3	56003039	2	Scr, Hex Hd Loc 1/4-20 x .50
4	56003506	3	Scr, Pan Phil Loc 10-32 x 1.25
5	56003508	4	Scr, Soc Hd Loc 5/16-18 x 1.75
6	56003509	2	Pin, Spr .50 x 2.75
7	56009001	4	Wsh, Bowed .516 x .906 x .008
8	56009002	2	Wsh, Flt .266 x .906 x .060
9	56009030	1	Scr, Pan Phil Thd Form 10-24 x .38
10	56035411	1	Gear Unit
11	56050294	1	Mounting Plate
12	56009266	4	Wsh, Flt .531 x .875 x .036
13	56646052	1	Motor Drip Cover
14	56057224	1	Bumper, 13 Inch
15	56740200	1	Strain Relief, .43
16	56201018	2	Wheel, 5.00 x 1.50
17	56201089	1	Axle
18	56300152	1	Clamp, P
19	56057737	1	Screen, Perf
20	56015113	1	Decal, SD130
21	56201663	1	Frame, Floor Machine
22	56640341	2	Connecting Leg
23	56646029	1	Brush Cover

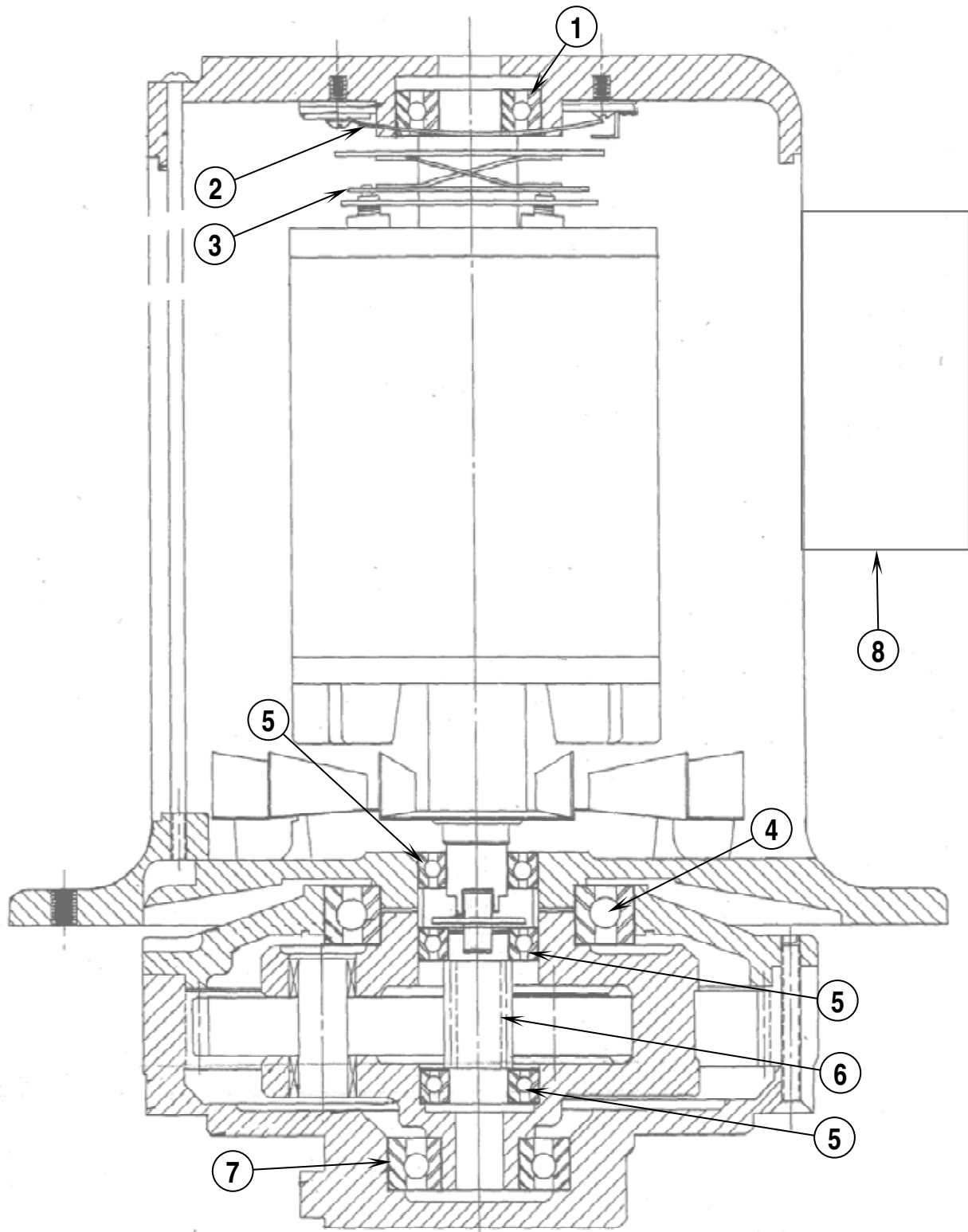
#### Pad Holders / Pads / Brushes

	56020371	1	Pad Holder 13 (standard)
**	56020309	1	Grit Brush 13
**	56020223	1	Poly Brush 13
**	56020200	1	Steel Brush 13
**	56020196	1	Polish Brush 13
**	56020194	1	Fiber Brush 13
**	56637073	1	White Super Polish Pad 13
**	56015660	1	Green Scrub Pad 13
**	56635154	1	Red Buff Pad 13
**	56637071	1	Black Stripping Pad 13
**	56506006	A/R	Clutch Plate for Above Brushes
**	56393567	A/R	"Big Mouth" Pad Retainer

\* = Not Shown

\*\* = Optional

**NOTE #1:** Pad Holders and Brushes come complete with Industry Standard NP-92 Clutch Plate.



02-4

**MOTOR / GEARBOX REPLACEMENT PARTS****SD 130****7**

<b>Item</b>	<b>Ref. No.</b>	<b>Qty</b>	<b>Description</b>
1	56027177	1	Bearing, Commutator End
2	56026933	1	Switch, Stationary
3	56026932	1	Switch, Centrifugal
4	56027210	1	Bearing, Ball
5	56027213	3	Bearing, Ball
6	56038696	1	Pinion, 10:1 Ratio
7	56027212	1	Bearing, Ball
8	56028812	1	Capacitor, 375 MFD



**Nilfisk  
Advance**

*setting standards*

**Nilfisk-Advance, Inc.**

14600 21st Avenue North

Plymouth, MN 55447-3408

[www.nilfisk-advance.com](http://www.nilfisk-advance.com)

Phone: 800-989-2235

Fax: 800-989-6566

©2003 Printed in the U.S.A.