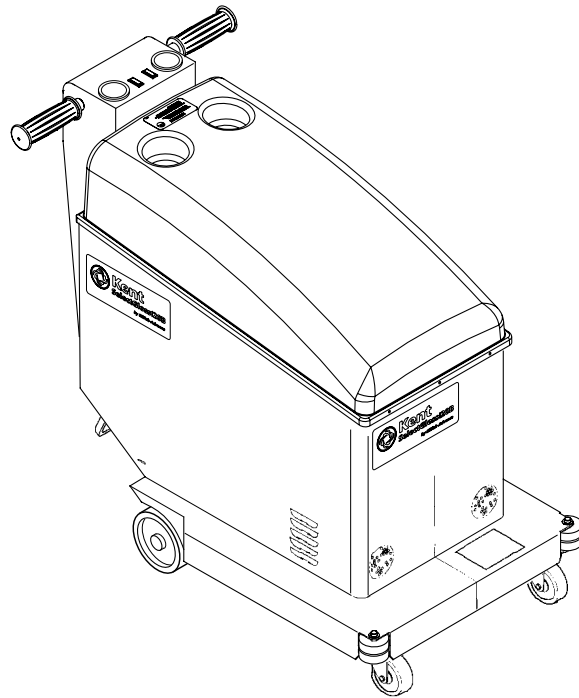


SelectGloss™ 20B



PARTS LIST

Kent MODEL 56393890



KENT

7/99 revised 12/01 FORM NO. 56042374

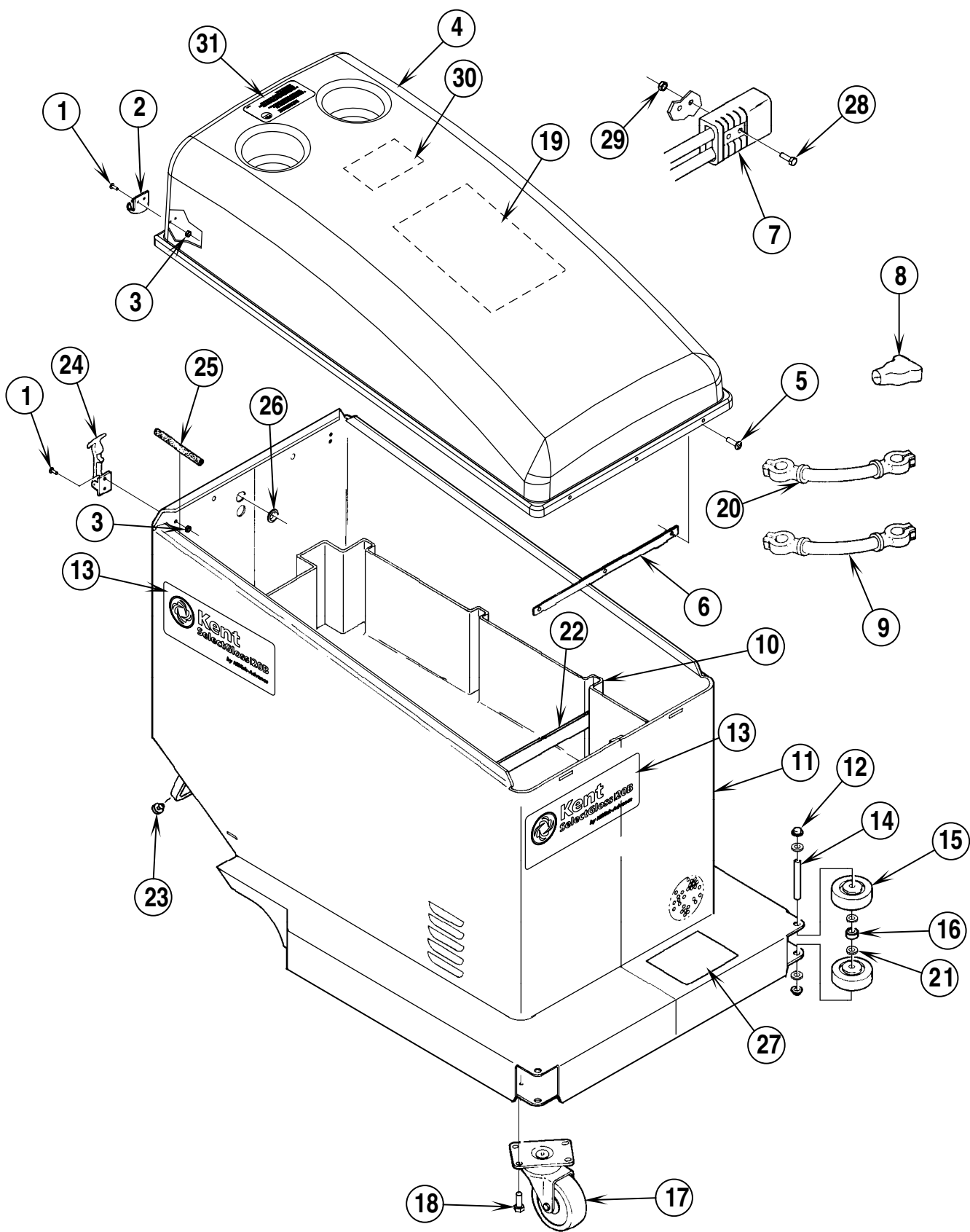
99-7	TABLE OF CONTENTS		
00-9	SelectGloss™ 20B		3

<u>DESCRIPTION</u>	<u>PAGE</u>
CHASSIS AND SHROUD	4-5
CONTROL HANDLE	6-7
PAD DRIVE ASSEMBLY	8-9
WIRING DIAGRAM	10-11

WHEN ORDERING PARTS

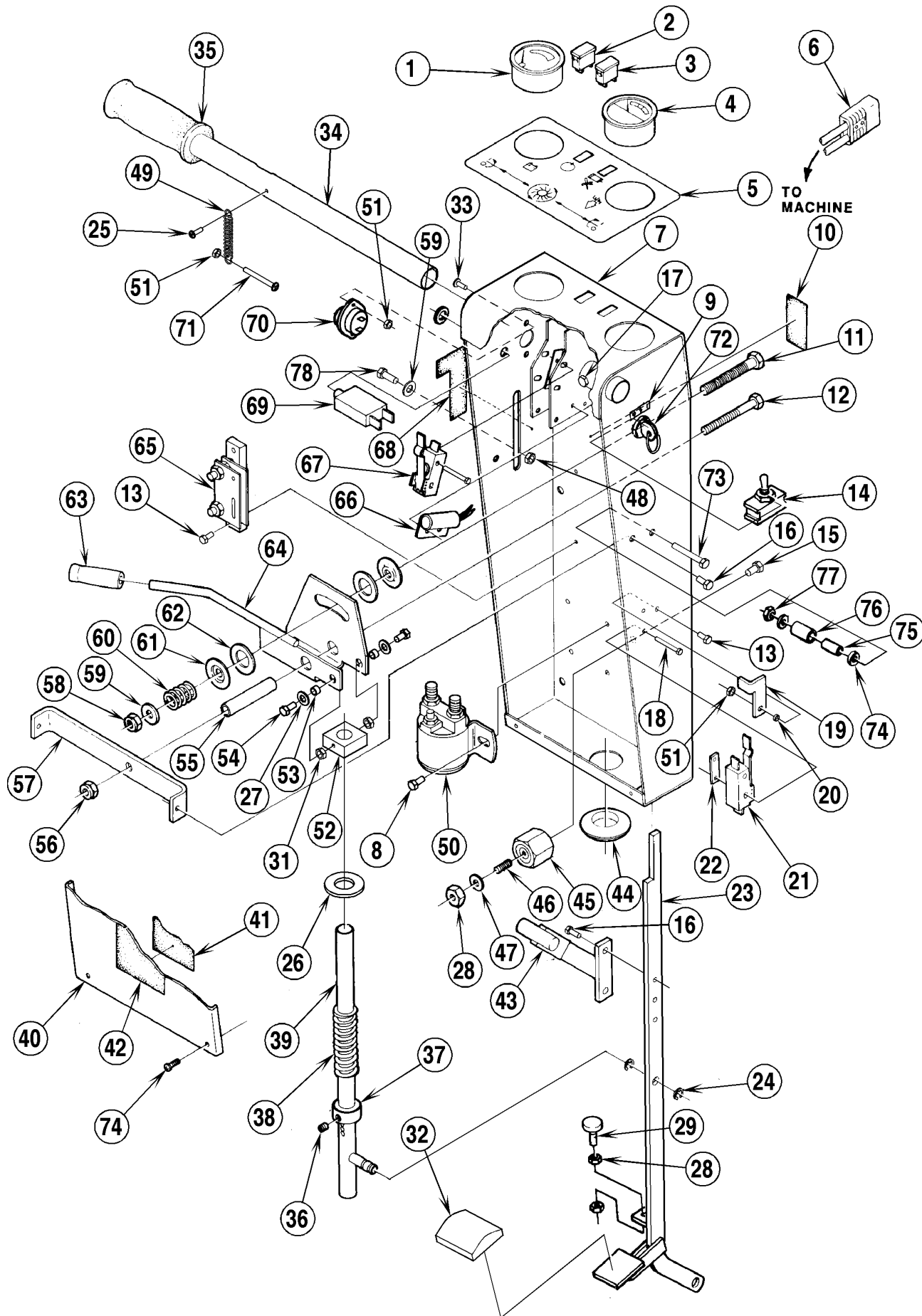
- * Use the 8 digit numbers from the "Ref. No." columns in this parts list.
- * Specify the model and serial number of the machine.
- * Use the space below to record the model and serial number for future reference.

Model _____ Serial No. _____



99-7	CHASSIS AND SHROUD			
00-9	SelectGloss™ 20B			5

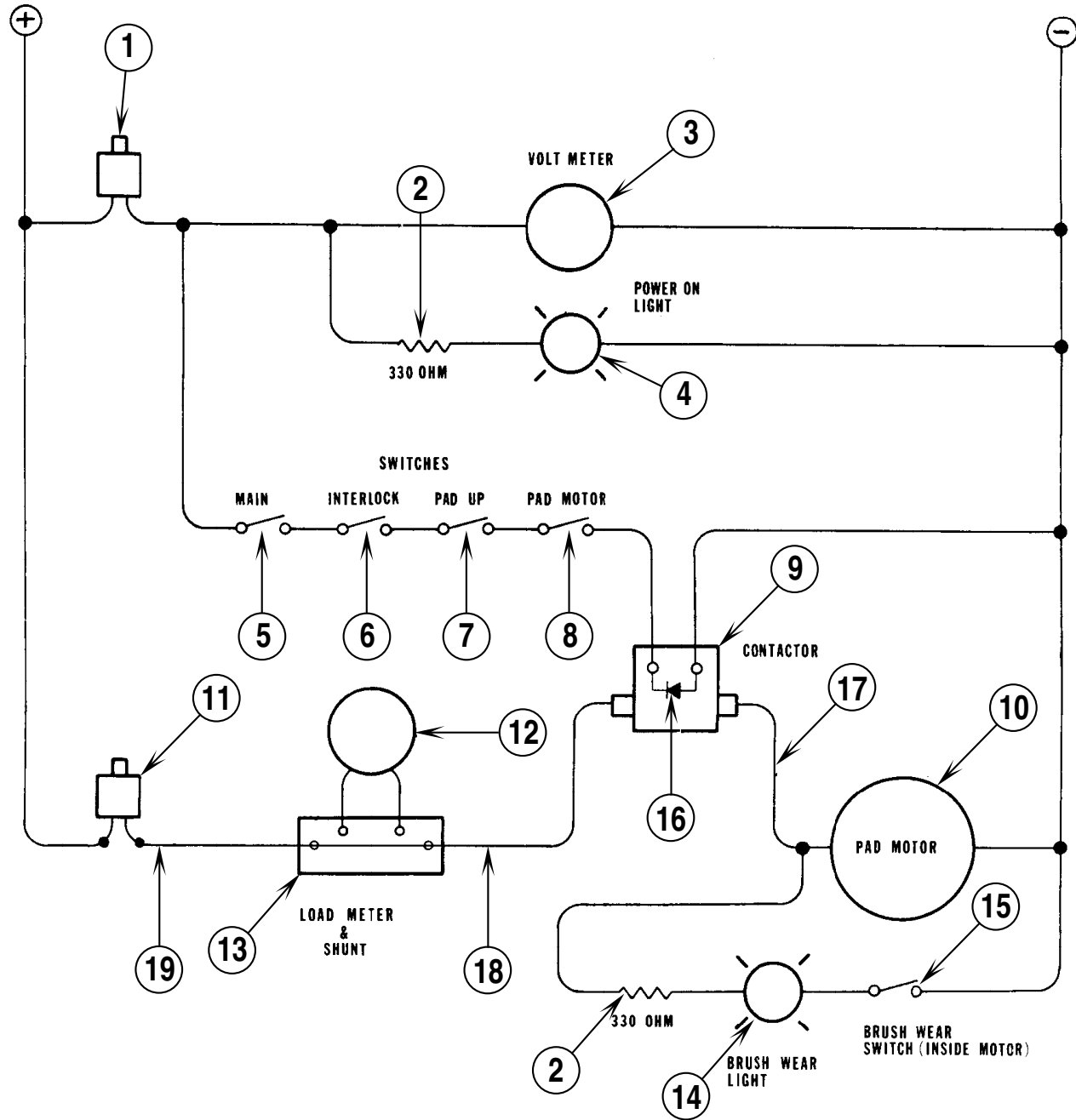
Item	Ref. No.	Qty	Description
	56393891	1	Shroud Assembly (#1-6)
1	56001904	8	Scr, Pan Phil #6-32 x .38
2	56393559	2	Keeper
3	56002864	8	Nut, Hex Nyl Loc-Thin #6-32
4	56393892	1	Shroud
5	56009030	3	Scr, Pan Phil Thd Form #10-24 x .38
6	56393539	1	Bracket
7	56391127	1	Connector with Wires TSB 730
8	56372673	12	Battery Boot
9	56363936	2	Cable TSB 730
10	56393574	1	Battery Tray
11	56393730	1	Chassis
12	56009123	4	Nut, Push Cap 3/8
13	56016377	3	Decal, Kent SelectGloss 20B
14	56393543	2	Pin
15	56363855	4	Wheel
16	56328022	2	Bushing
17	56206725	2	Caster
18	56009033	6	Scr, Hex Thd Form 1/4-20 x .50
19	56015584	1	Decal, Maintenance
20	56363928	3	Cable TSB 730
21	56009045	8	Wsh, Bowed .375 x .578 x .060
22	56393578	1	Strap
23	56393581	2	Bumper
24	56393560	2	Latch
25	56393549	2	Trim
26	56157376	2	Grommet
27	56015120	1	Decal, Pad Replacement
28	56001833	2	Scr, Hex 1/4-20 x 1.50
29	56002708	2	Nut, Hex Nyl Loc 1/4-20
30	56016383	1	Decal, Wear Items
31	56016381	1	Decal, Important



Item	Ref. No.	Qty	Description	Item	Ref. No.	Qty	Description
	56393501	1	Handle Assembly	40	56393723	1	Panel
1	56448677	1	Battery Meter	41	56016068	1	Decal, Wiring
2	56389434	1	Green Indicator Light (before February 1998)	42	56015119	1	Decal, Caution
	56392858	1	Green Indicator Light (after January 1998)	43	56393725	1	Handle
3	56389433	1	Red Indicator Light (before February 1998)	44	56344621	1	Grommet
	56393863	1	Red Indicator Light (after January 1998)	45	56469858	1	Insulated Stand-Off
4	56389527	1	Amp Meter	46	56009020	1	Stud, 1/4-20 x .88
5	56015676	1	Decal, Control Handle	47	56009064	1	Wsh, Int Shprf 1/4
6	56393568	1	Connector with Wires	48	56001894	1	Nut, Hex Serrated 3/8-16
7	56393653	1	Handle	49	56328790	1	Spring
8	56009019	2	Scr, Hex Thd Form 1/4-20 x .38	51	56002832	4	Nut, Hex Nyl Loc-Thin 10-24
9	56015422	1	Decal, Switch	50	56395450	1	Contacto
10	56025264	1	Decal, Cable Routing	52	56393696	1	Bearing Block Assembly
11	56002058	1	Scr, Hex Hd 3/8-16 x 2.25	53	56200123	2	Bushing
12	56002606	1	Scr, Hex Hd 5/16-18 x 3.25	54	56009039	2	#10-24 x 1/2 Hex Screw
13	56002834	3	Scr, Hex Hd #10-24 x .38	55	56393520	1	Pivot
14	56301636	1	Main Switch	56	56002826	1	Nut, Hex Nyl Loc-Thin 5/16-18
15	56001861	2	Scr, Hex Cap 1/4-20 x .38	57	56393534	1	Support
16	56009033	4	Scr, Hex Thd Form 1/4-20 x .50	58	56002769	1	Nut, Hex Nyl Loc 3/8-16
17	56234079	1	Screw	59	56002063	2	Wsh, Flt SAE 3/8
*	56001905	2	Wsh, Int Shprf 5/16	60	56171177	1	Spring
18	56002809	4	Scr, Hex Loc #6-32 x .88	61	56440760	2	Washer
19	56393530	1	Lever	62	56367184	2	Thrust Bearing
20	56375334	1	Bushing	63	56471193	1	Grip
21	56388019	1	Pad Up Switch	64	56393528	1	Lever
22	56376015	2	Nut Plate	65	56386793	1	Shunt
23	56388184	1	Pedal	66	56393569	1	Mercury Switch
24	56003262	2	Retaining Ring	67	56385615	1	Switch
25	56009034	2	Scr, Hex #8-32 x .88	68	56015122	1	Decal, Circuit Breaker
26	56200115	1	Wsh, Flt	69	56387316	1	Circuit Breaker
27	56001954	2	Wsh, Flt SAE #10	70	56393722	1	Circuit Breaker
28	56009087	4	Nut, Hex Jam 1/4-20	71	56002231	1	Scr, Pan Phil #10-24 x 1.50
29	56386314	1	Leveler	72	56393325	1	Bracket, Keylock
31	56009142	2	Nut, Hex 1/4-20	73	56001833	1	Scr, Hex Hd 1/4-20 x 1.50
32	56365002	1	Pad	74	56002098	3	Wsh, Flt SAE 1/4
33	56002192	2	Scr, Pan Phil #10-24 x .75	75	56207489	1	Bushing
34	56393654	1	Tube	76	56244859	1	Bushing
35	56388545	2	Grip	77	56002840	1	Nut, Hex Nyl Loc-Thin 1/4-20
36	56002021	1	Scr, Soc Set Loc 5/16-18 x .38	78	56002271	1	Scr, Hex Hd 3/8-16 x .88
37	56367354	1	Collar				
38	56372129	2	Spring				
39	56393522	1	Rod				

* = Not Shown

Item	Ref. No.	Qty	Description
	56393502	1	Drive Unit Assembly (#1-17)
1	56009127	4	Scr, Flt Phil Thd Form 10-24 x .62
2	56393576	1	Cover
3	56389422	1	Motor
	56389371	1	Carbon Brush Set (for 56389422)
	56389395	1	Brush Spring Set (for 56389422)
4	56352829	4	Hose Clamp
5	56387392	2	Hose
6	56393542	1	Frame
7	56001834	4	Scr, Hex Hd 5/16-18 x 1.25
8	56393510	1	Motor Mount
9	56002098	2	Wsh, Flt SAE 1/4
10	56009018	2	Scr, Hex Hd 1/4-20 x .75
11	56391840	4	Bushing
12	56001939	8	Wsh, Flt SAE 5/16
13	56002701	8	Nut, Hex Nyl Loc 5/16-18
14	56009112	4	Wsh, Shprf 3/8
15	56002208	4	Scr, Hex Hd 3/8-16 x .50
16	56244941	2	Bushing
17	56393462	1	Linkage
18	56391185	A/R	Bag (package of 6)
19	56393504	1	Shroud
20	56393565	1	Skirt
21	56200754	2'	Gasket (61 cm)
22	56393566	1	Dust Shroud Assembly (#19-21)
25	56393650	1	Pad Holder
28	56393567	1	Retainer
29	56002519	4	Scr, Hex Hd #10-24 x .38
30		1	Pad (not included)
31	56009057	1	Wsh, Flt Hrd .34 x 1.00 x .13
32	56002667	2	Scr, Hex Hd 5/16-18 x .75
33	56009022	1	Washer
34	56003303	1	Scr, Hex Hd 5/16-24 x .75
35	56001895	1	Scr, Hex Hd 1/2-13 x 1.00
36	56009017	2	Wsh, Flt Hrd .52 x .94 x .08
37	56393373	1	Bushing
38	56009016	1	Nut, Hex Jam 1/2-13
39	56393548	1	Axle
40	56009021	2	Wsh, Bowed .781
41	56391110	2	Wheel
42	56009122	2	Washer
43	56002922	2	Scr, Hex Loc 1/4-20 x .62
44	56002929	2	Scr, Hex Loc 5/16-18 x .62
45	56002956	2	Scr, Hex Loc 5/16-18 x .75
46	56009064	2	Wsh, Shprf 1/4
47	56469858	2	Insulated Stand-Off
48	56150274	2	Stud
49	56009019	4	Scr, Hex Thd Form 1/4-20 x .38
50	56009002	4	Wsh, Flt .266 x .906 x .060



Item	Ref. No.	Qty	Description
1	56387316	1	Circuit Breaker 10 Amp
2	56389453	2	Resistor 330 Ohm (before February 1998)
3	56448677	1	Battery Meter
4	56389434	1	Green Indicator Light (before February 1998)
	56392858	1	Green Indicator Light (after January 1998)
5	56301636	1	Main Switch
6	56393569	1	Mercury Switch
7	56388019	1	Pad Up Switch
8	56385615	1	Pad Motor Switch
9	56395450	1	Contactor
10	56389422	1	Pad Motor
11	56393722	1	Circuit Breaker
12	56391132	1	Amp Meter
13	56386793	1	Shunt
14	56389433	1	Red Indicator Light (before February 1998)
	56393863	1	Red Indicator Light (after January 1998)
15		1	Brush Wear Switch
16	56389265	1	Rectifier
17	56377704	1	Cable
18	56393572	1	Cable
19	56393571	1	Cable
20	56393776	1	Wiring Harness (before February 1998)
	56393862	1	Wiring Harness (after January 1998)



14600 21st Avenue North
Plymouth, MN 55447-3408
www.eurocleanusa.com
Phone: 800-334-1083
Fax: 866-261-4779

1151 Byrn Mawr Avenue
Itasca, IL 60143
www.eurocleanusa.com
Phone: 800-545-4372
Fax: 888-323-3822