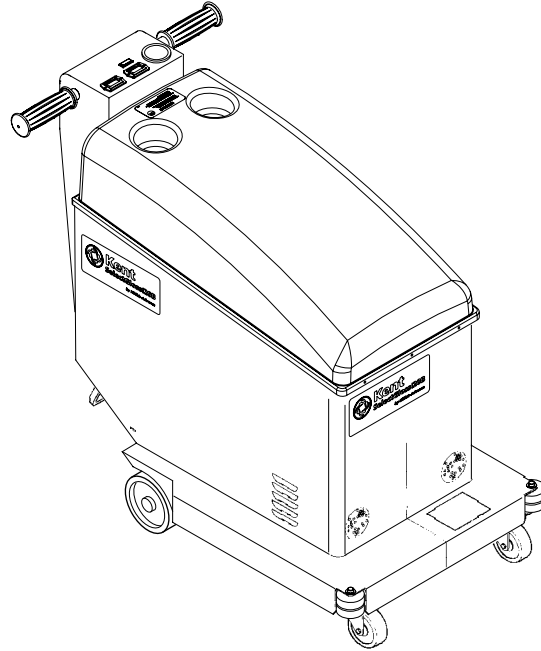


# SelectGloss™ 20BT

---



---

## **PARTS LIST**

**Kent MODEL 56393894**



# **KENT**

7/99 revised 12/01 FORM NO. 56042375

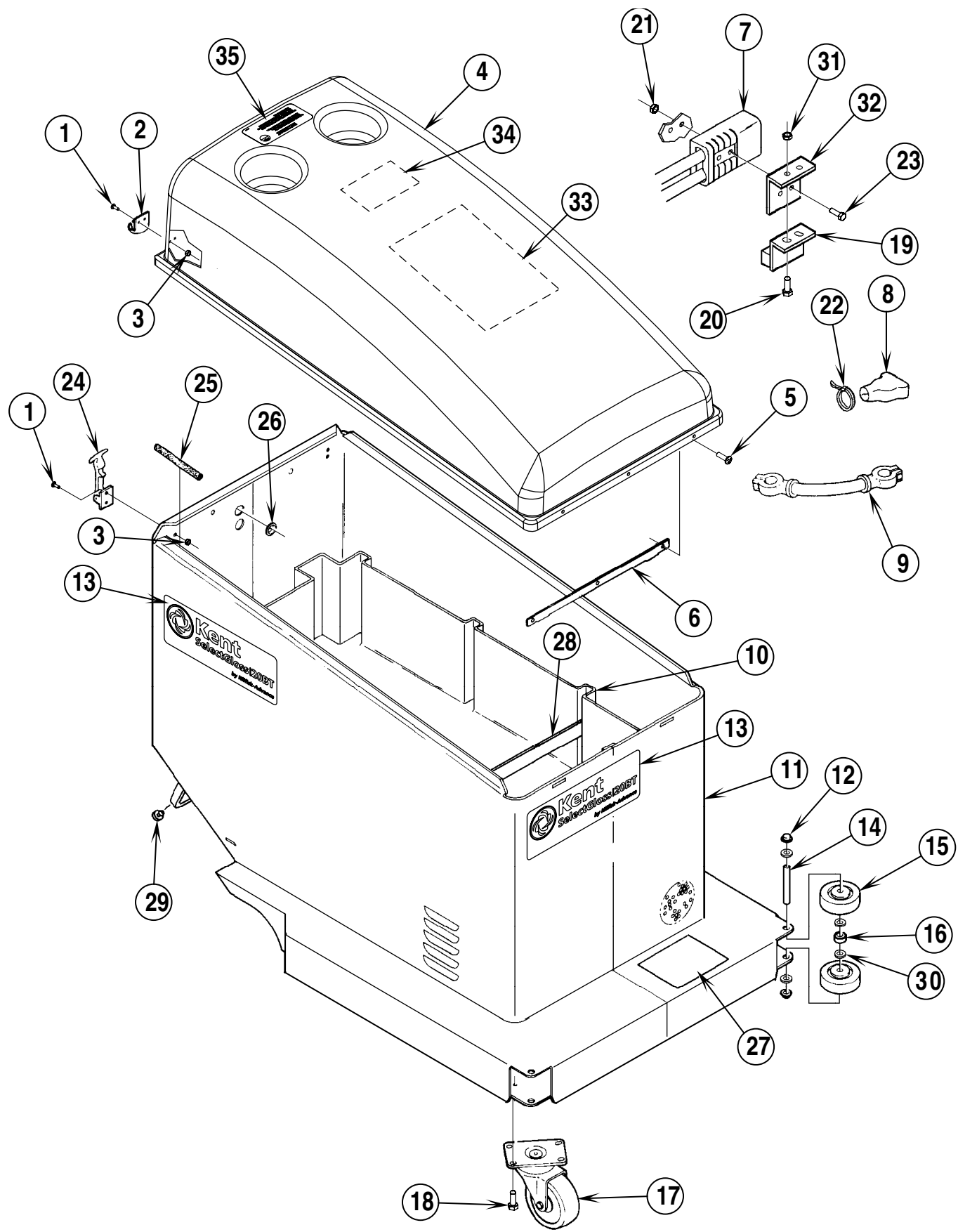
99-7	<b>TABLE OF CONTENTS</b>		
00-9	<b>SelectGloss™ 20BT</b>		<b>3</b>

<b>DESCRIPTION</b>	<b>PAGE</b>
<b>CHASSIS AND SHROUD .....</b>	<b>4-5</b>
<b>CONTROL HANDLE .....</b>	<b>6-7</b>
<b>PAD DRIVE ASSEMBLY .....</b>	<b>8-9</b>
<b>WHEEL DRIVE .....</b>	<b>10-11</b>
<b>WIRING DIAGRAM .....</b>	<b>12-13</b>

**WHEN ORDERING PARTS**

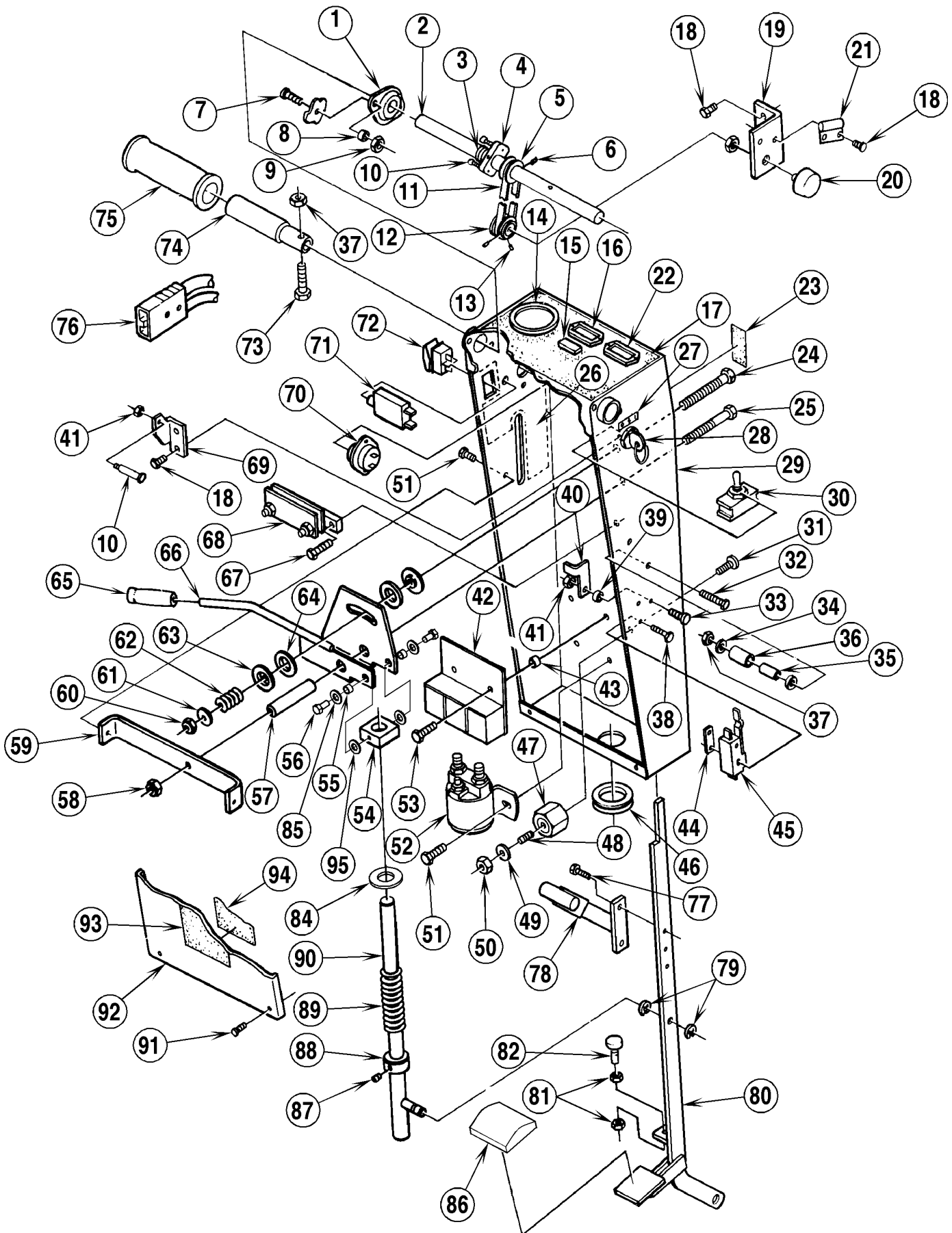
- \* Use the 8 digit numbers from the "Ref. No." columns in this parts list.
- \* Specify the model and serial number of the machine.
- \* Use the space below to record the model and serial number for future reference.

Model \_\_\_\_\_ Serial No. \_\_\_\_\_



Item	Ref. No.	Qty	Description
	56393891	1	Shroud Assembly (#1-6)
1	56001904	8	Scr, Hex 6-32 x .38
2	56393559	2	Keeper
3	56002830	8	Nut, Hex Nyl Loc 6-32
4	56393892	1	Shroud
5	56002519	3	Scr, Hex 10-24 x .38
6	56393539	1	Bracket
7	56393741	1	Battery Charger Connector W/Wires
8	56372673	12	Battery Boot
9	56363936	2	Battery Cable <b>TSB 730</b>
*	56363928	3	Battery Cable <b>TSB 730</b>
10	56393574	1	Battery Tray
11	56393730	1	Chassis
12	56262534	4	Cap
13	56016378	3	Decal, SelectGloss 20BT
14	56393543	2	Pin
15	56363855	4	Wheel
16	56328022	2	Bushing
17	56206725	2	Caster
18	56002513	10	Scr, Hex 1/4-20 x .50
19	56462362	1	Charger Interlock Switch
20	56002503	2	Scr, Hex 10-24 x .50
21	56002708	2	Nut, Hex Nyl Loc 1/4-20
22	56478246	12	Tie, Cable
23	56001833	2	Scr, Hex 1/4-20 x 1.50
24	56393560	2	Latch
25	56393549	2	Trim
26	56157376	2	Grommet
27	56015120	1	Decal, Pad Replacement
28	56393578	1	Battery Retaining Strap
29	56393581	2	Bumper
30	56163767	8	Spring Washer
31	56002768	2	Nut, Hex Nyl Loc 10-24
32	56393582	1	Switch Bracket
33	56015584	1	Decal, Maintenance
34	56016383	1	Decal, Wear Items
35	56016381	1	Decal, Important
*	56386973	1	Battery Cable <b>TSB 730</b>
*	56324284	1	Battery Cable <b>TSB 730</b>

\* = Not Shown



Item	Ref. No.	Qty	Description	Item	Ref. No.	Qty	Description
	56393501	1	Handle Assembly (#1-76)	51	56002530	4	Scr, Hex 1/4-20 x .38
1	56393264	2	Handle Bearing	52	56395450	1	Contactator
2	56324131	1	Handle Bar	53	56002744	2	Scr, Hex Thd Form 10-24 x .38
3	56324033	1	Spring	54	56393696	1	Bearing Block Assembly
4	56324133	1	Handle Spring Lever	55	56200123	2	Bushing
5	56392859	1	Pulley	56	56002510	2	Scr, Hex Thd Form 10-24 x .62
6	56001935	4	Scr, Soc Set Loc 10-24 x .19	57	56393520	1	Pivot
7	56002793	4	Scr, Hex 5/16-18 x .75	58	56002701	1	Nut, Hex Nyl Loc 5/16-18
8	56320595	4	Bushing	59	56393534	1	Support
9	56002826	4	Nut, Hex Nyl Loc 5/16-18	60	56002769	1	Nut, Hex Nyl Loc 3/8-16
10	56900481	3	Shoulder Bolt	61	56002063	1	Wsh, Fit SAE 3/8
11	56324022	1	Belt	62	56171177	1	Spring
12	56324513	1	Pulley	63	56440760	2	Washer
13	56002279	2	Scr, Soc Set Loc 8-32 x .25	64	56367184	2	Thrust Bearing
14	56389527	1	Ammeter	65	56471193	1	Grip
15	56389433	1	Red Indicator Light, 24V (before February 1998)	66	56393528	1	Lever
	56393863	1	Red Indicator Light, 36V (after January 1998)	67	56002520	2	Scr, Hex Thd Form 10-24 x .50
16	56393717	1	Battery Fuel Gauge	68	56386793	1	Shunt
17	56015562	1	Decal, Control Panel	69	56393716	1	Stop Bracket
18	56002519	7	Scr, Hex Thd Form 10-24 x .38	70	56393722	1	Circuit Breaker, 70 Amp
19	56324119	1	Bracket	*	56002192	2	Scr, Hex 10-24 x .75
20	56454740	1	Potentiometer	71	56454538	1	Circuit Breaker, 15 Amp
21	56393569	1	Switch	72	56393312	1	Switch, Rocker
22	56393718	1	Hour Meter	73	56001878	2	Scr, Hex 1/4-20 x 1.25
23	56025264	1	Decal, Cable Routing	74	56324120	2	Handle Tube
24	56001873	1	Scr, Hex 3/8-18 x 2.50	75	56388545	2	Grip
25	56002606	1	Scr, Hex 5/16-18 x 3.25	76	56393741	1	Charger Connector W/Wires
26	56015564	1	Decal, Side Panel	77	56002513	2	Scr, Hex Thd Form 1/4-20 x .50
27	56015422	1	Decal, Power	78	56393725	1	Handle
28	56393325	1	Key Lock Bracket	79	56321427	2	Retaining Ring
	56393415	1	Replacement Key	80	56388184	1	Pedal Lever
29	56393726	1	Handle Weldment	81	56002840	2	Nut, Hex Nyl Loc 1/4-20
30	56301636	1	Main Switch	82	56386314	1	Leg Leveler 1/4-20
31	56001861	2	Scr, Hex 1/4-20 x .38	84	56200115	1	Washer
32	56001833	1	Scr, Hex 1/4-20 x 1.50	85	56001954	2	Wsh, Fit SAE #10
33	56002503	1	Scr, Hex 10-24 x .50	86	56365002	1	Pedal Pad
34	56002098	2	Wsh, Fit SAE 1/4		56393583	1	Pedal Assembly (#80-82, 86)
35	56207489	1	Bushing	87	56002021	1	Scr, Soc Set Loc 5/16-18 x .38
36	56244859	1	Bushing	88	56367354	1	Collar
37	56002840	3	Nut, Hex Nyl Loc 1/4-20	89	56372129	1	Spring
38	56003009	2	Scr, Hex 6-32 x 1.00	90	56393522	1	Rod
39	56375334	1	Bushing	91	56002519	2	Scr, Hex Thd Form 10-24 x .38
*	56002011	1	Wsh, Int SHPRF #10	92	56393723	1	Panel
40	56393530	1	Lever	93	56015119	1	Decal, Caution
41	56002768	4	Nut, Hex Nyl Loc 10-24	94	56016069	1	Decal, Wiring
*	56001954	1	Wsh, Fit SAE #10	95	56009024	2	Wsh, Bowed .375 x .84 x .060
42	56393721	1	Speed Control				
43	56377721	2	Spacer	*	56377525	1	Diode
44	56376015	1	Nut Plate	*	56393734	1	Resistor Assembly, 5.6K, .25W
45	56324362	1	Switch	*	56389453	1	Resistor Assembly, 330Ohm, .5W
46	56344621	1	Grommet	*	56393739	1	Tab
47	56469858	2	Insulated stand-Off	*	56478246	7	Tie, Cable
48	56150274	2	Stud	*	56469832	1	Tie Anchor
49	56001830	2	Wsh, Int SHPRF 1/4				
50	56002040	2	Nut, Hex Jam 1/4-20				

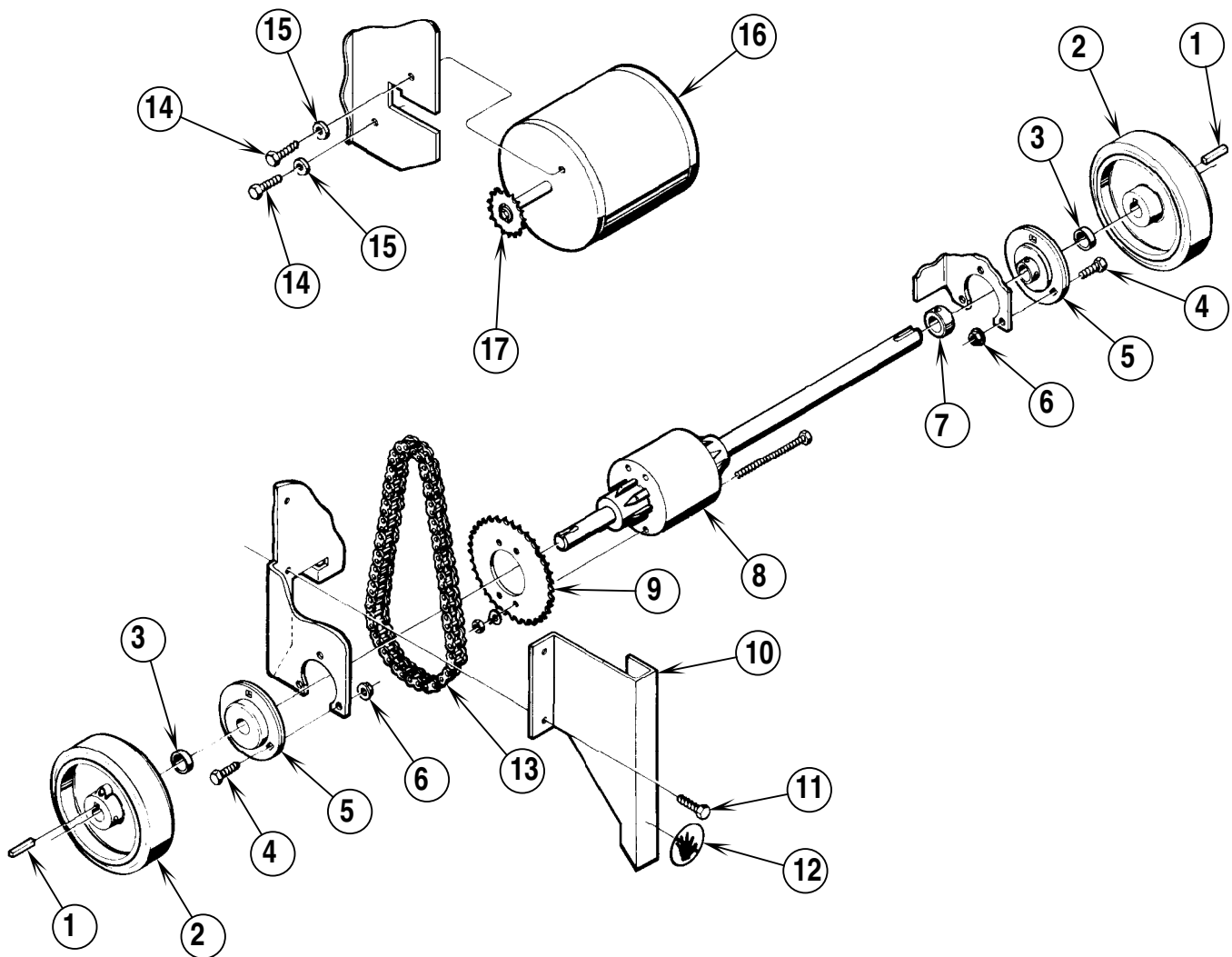
\* = Not Shown



Item	Ref. No.	Qty	Description
	56393502	1	Drive Unit Assembly (#1-17)
1	56002530	4	Scr, Hex 1/4-20 x .38
2	56393576	1	Cover
3	56389422	1	Motor
*	56389371	1	Carbon Brush Set (for 56389422)
*	56389395	1	Brush Spring Set (for 56389422)
4	56352829	4	Hose Clamp
5	56387392	2	Hose
6	56393542	1	Frame
7	56003073	4	Scr, Hex 5/16-18 x 1.00
8	56393510	1	Motor Mount
9	56002098	2	Wsh, Flt SAE 1/4
10	56002040	2	Nut, Hex Jam 1/4-20
11	56391840	4	Bushing
12	56001939	8	Wsh, Flt SAE 5/16
13	56002701	8	Nut, Hex Nyl Loc 5/16-18
14	56002206	4	Wsh, Int SHPRF 3/8
15	56002663	4	Scr, Hex 3/8-16 x .50
16	56244941	2	Bushing
17	56393551	1	Linkage
18	56391185	2	Bag (pkg of 6)
19	56393504	1	Shroud
20	56393565	1	Skirt
21	56200751	1	Gasket
22	56393566	1	Dust Shroud Assembly (#19-21)
25	56393650	1	Pad Holder (includes #28-29)
28	56393567	1	Retainer
29	56002519	4	Scr, Hex 10-24 x .38
30		1	Pad (not included)
31	56180200	1	Washer
32	56151114	4	Washer
33	56367192	1	Washer
34	56002596	1	Scr, Hex 5/16-24 x .75
35	56001895	1	Scr, Hex 1/2-13 x 1.00
36	56367214	2	Washer
37	56393373	1	Bushing
38	56002843	1	Nut, Hex Nyl Loc 1/2-13
39	56002530	4	Scr, Hex 1/4-20 x .38
40	56150274	2	Stud
41	56469858	2	Insulated Stand-Off
42	56001803	2	Wsh, Int SHPRF 1/4
43	56002956	4	Scr, Hex Loc 5/16-18 x .75

\* = Not Shown

FRONT



99-7	<b>WHEEL DRIVE</b>			
01-5	<b>SelectGloss™ 20BT</b>			<b>11</b>

Item	Ref. No.	Qty	Description
1	56443719	2	Key
2	56393602	2	Wheel
3	56367192	2	Spacer
4	56002956	6	Scr, Hex 5/16-18 x .75
5	56393601	2	Bearing
6	56002701	6	Nut, Hex Nyl Loc 5/16-18
7	56367095	1	Collar
8	56393603	1	Differential
9	56467368	1	Sprocket
10	56393616	1	Guard
11	56002513	2	Scr, Hex 1/4-20 x .50
12	56030080	1	Decal, Hands Clear
13	56393738	1	Roller Chain
14	56003073	2	Scr, Hex 5/16-18 x 1.00
15	56152781	2	Washer
16	56467149	1	Drive Motor
*	56503006	1	Carbon Brush/Set 2
17	56465456	1	Sprocket

\* = Not Shown



Item	Ref. No.	Qty	Description
A	56393721	1	Speed Control
BT			Battery
D	56377525	1	Diode
F1	56454538	1	Circuit Breaker, 15 Amp
F2	56393722	1	Circuit Breaker, 70 Amp
H	56389433	1	Red Indicator Light, 24V (before February 1998)
	56393863	1	Red Indicator Light, 36V (after January 1998)
K	56395450	1	Brush Motor Solenoid
M1	56467149	1	Wheel Drive Motor
*	56503006	1	Carbon Brush/Set 2
M2	56389422	1	Brush Motor
P1	56393717	1	Battery Fuel Gauge
P2	56389527	1	Ammeter
P3	56393718	1	Hour Meter
R1	56454740	1	Potentiometer, 5K Ohm
R2	56393734	1	Resistor, 5.6K, .25W
R3	56386793	1	Shunt
R4	56389453	1	Resistor 330 Ohm .5W (before February 1998)
S1	56301636	1	Main Switch
S2	56393569	1	Tip Interlock Switch
S3	56324362	1	Brush Motor Switch
S4	56393312	1	Speed Limit Switch
S5	56462362	1	Charger Interlock Switch
X1	56393741	1	Battery Charger Connector
X2		1	Negative Terminal Stud
X3		1	Wheel Motor Disconnect
#4	56393742	1	Cable Assembly #6 AWG x 9.00
#2	56393572	1	Cable Assembly #4 AWG x 10.00
#3	56393573	1	Cable Assembly #4 AWG x 29.00
#19	56389223	1	Cable Assembly #6 AWG x 9.00
#28	56389313	1	Cable Assembly #6 AWG x 29.00
*	56393729	1	Wiring Harness (before February 1998)
	56393864	1	Wiring Harness (after January 1998)

\* = Not Shown



14600 21st Avenue North  
Plymouth, MN 55447-3408  
[www.eurocleanusa.com](http://www.eurocleanusa.com)  
Phone: 800-334-1083  
Fax: 866-261-4779

1151 Byrn Mawr Avenue  
Itasca, IL 60143  
[www.eurocleanusa.com](http://www.eurocleanusa.com)  
Phone: 800-545-4372  
Fax: 888-323-3822