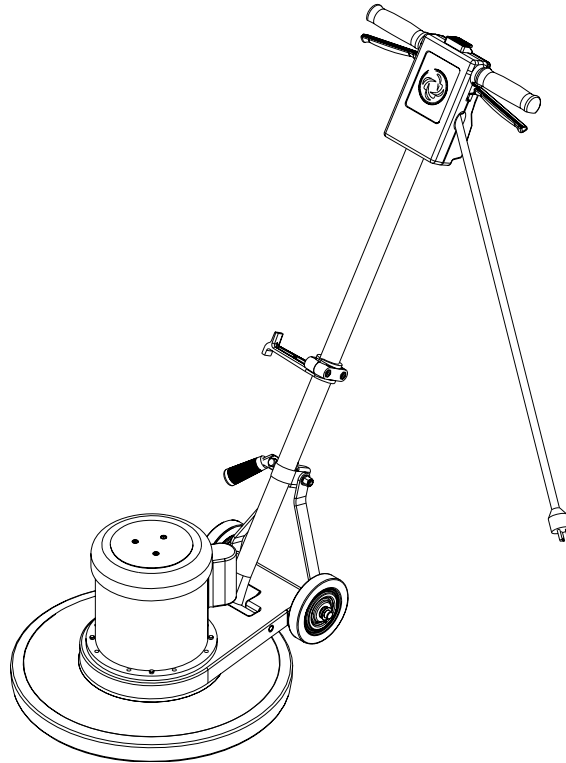


# SelectLine™ 13/17/20

---

# SelectLine™ 17HD/20HD

---



---

## **PARTS LIST**

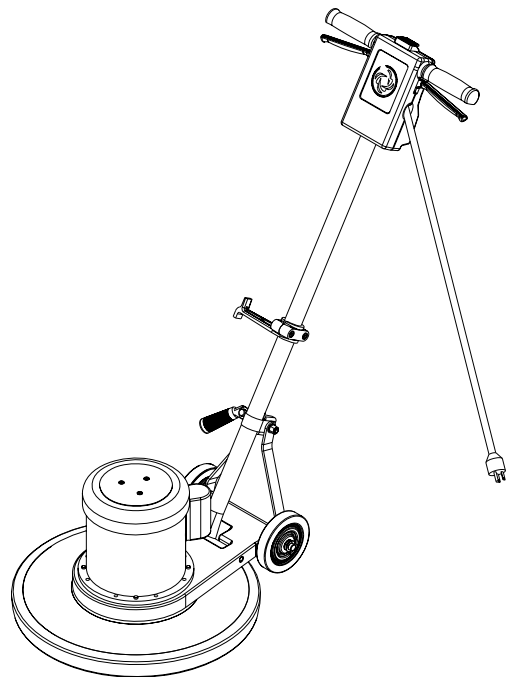
**Kent MODELS 56636943(13), 56636956(17), 56636969(20)  
56201660(17HD), 56201661(20HD)**



# **KENT**

6/99 revised 5/02 FORM NO. 56042376

99-6	<b>TABLE OF CONTENTS</b>			
02-5	<b>SelectLine™ 13 / 17 / 20 / 17HD / 20HD</b>			<b>1</b>

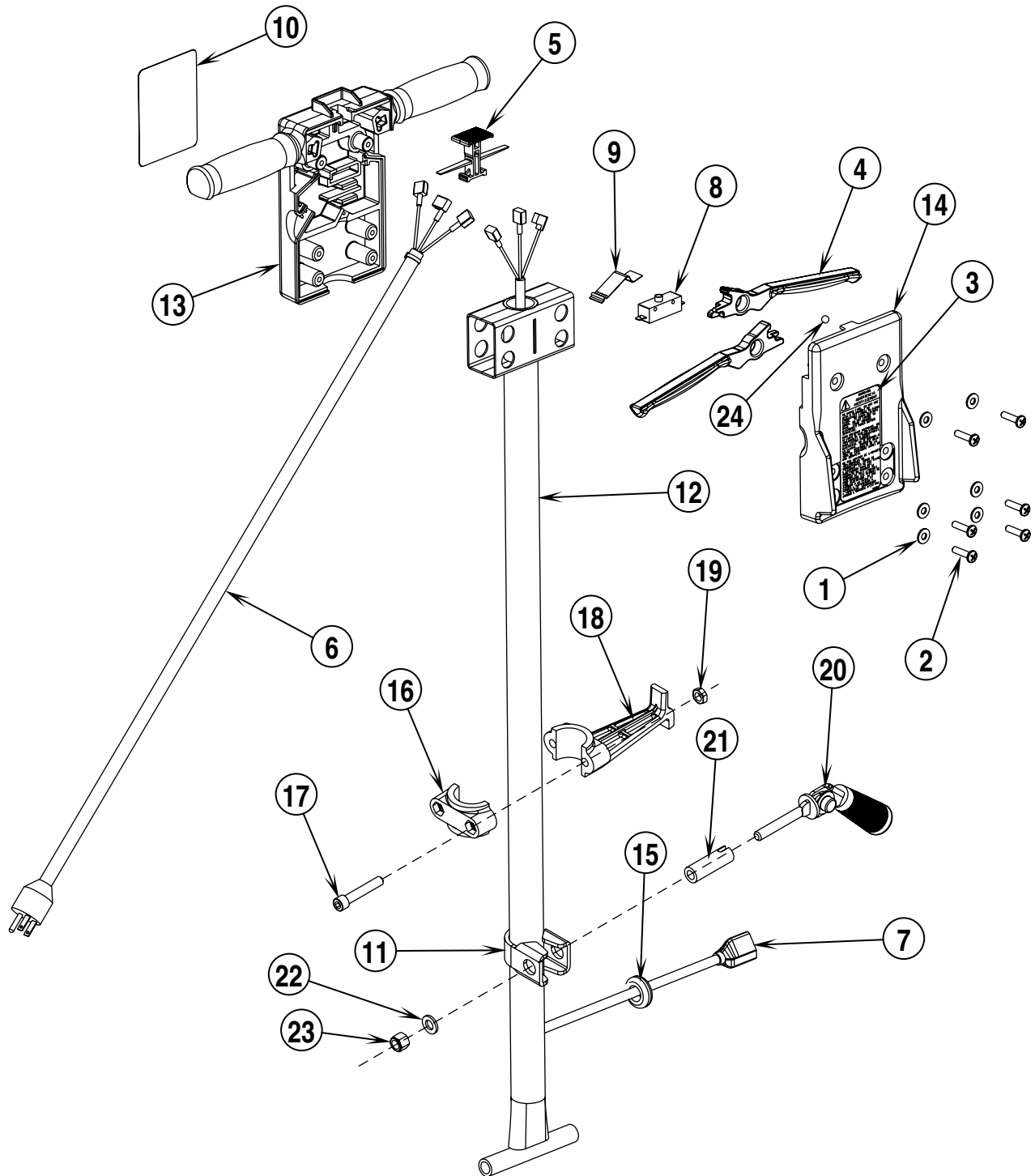


<u>DESCRIPTION</u>	<u>PAGE</u>
HANDLE ASSEMBLY .....	2-3
WIRING DIAGRAM .....	3
BASE ASSEMBLY .....	4-5
SELECTLINE 13 MOTOR REPLACEMENT PARTS .....	6-7

**WHEN ORDERING PARTS**

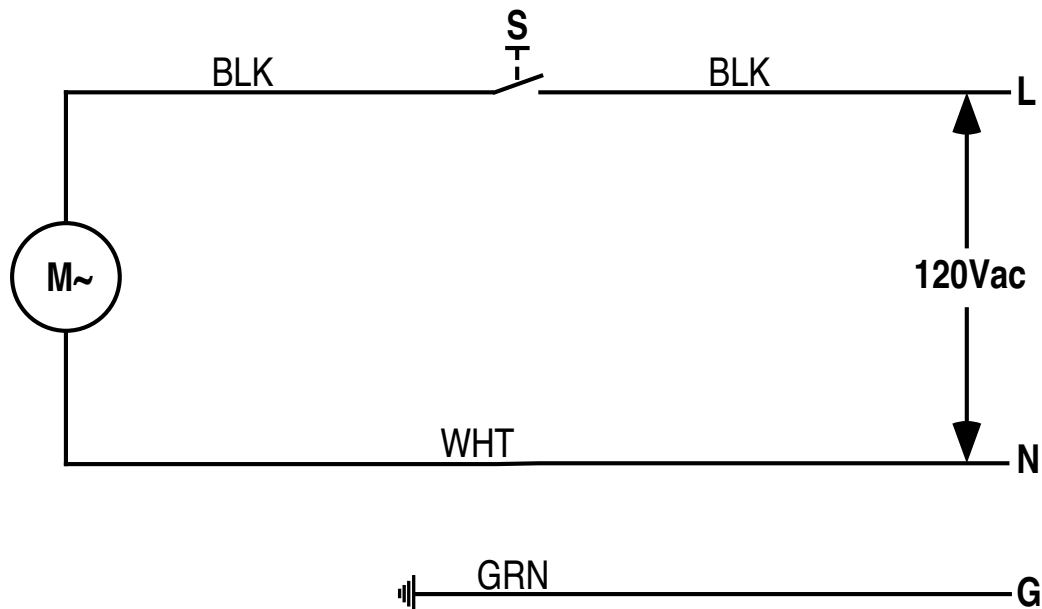
- \* Use the 8 digit numbers from the "Ref. No." columns in this parts list.
- \* Specify the model and serial number of the machine.
- \* Use the space below to record the model and serial number for future reference.

Model \_\_\_\_\_ Serial No. \_\_\_\_\_

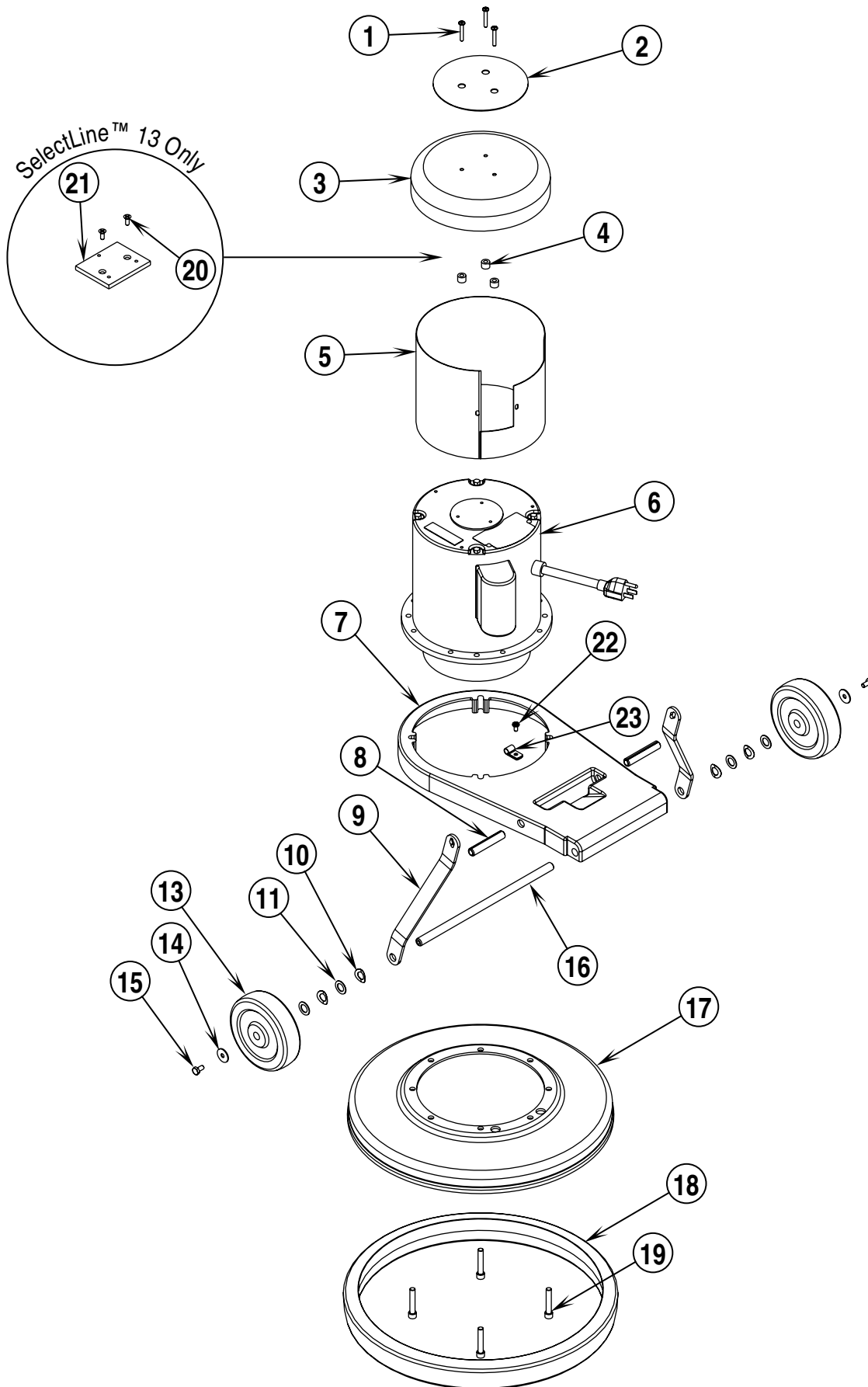


Item	Ref. No.	Qty	Description
1	56002098	6	Wsh, Flt SAE 1/4
2	56002292	6	Scr, Pan Phil 1/4-20 x 1.00
3	56014828	1	Decal, Warning
4	56201027	2	Handle Lever
5	56201031	1	Button, Lock
6	56201032	1	Cord Set, 14/3 x 50'
7	56201033	1	Cord Assembly 14/3 (17/20, 17HD/20HD)
8	56201034	1	Switch, N.O. SPST Snap
9	56263648	1	Spring, Plate
10	56016350	1	Decal, Logo
11	56046595	1	Clamp, Handle - Lock
12	56201655	1	Handle Weldment
13	56201656	1	Handle, Front
14	56201657	1	Handle, Back
15	56055868	1	Grommet
16	56048572	1	Cord Hook, Cap
17	56003508	2	Scr, Soc Hd Loc 5/16-18 x 1.75
18	56048571	1	Cord Hook, Body
19	56009086	2	Nut, Hex Jam 5/16-18
20	56032656	1	Cam Lock
21	56046606	1	Spacer Guide
22	56009214	1	Wsh, Flt .406 x .750 x .090
23	56002769	1	Nut, Hex Nyl Loc 3/8-16
*	56201769	1	Cord Assy, 14/3 (13)
24	56201592	1	Ball, 1/4 SS

\* = Not Shown



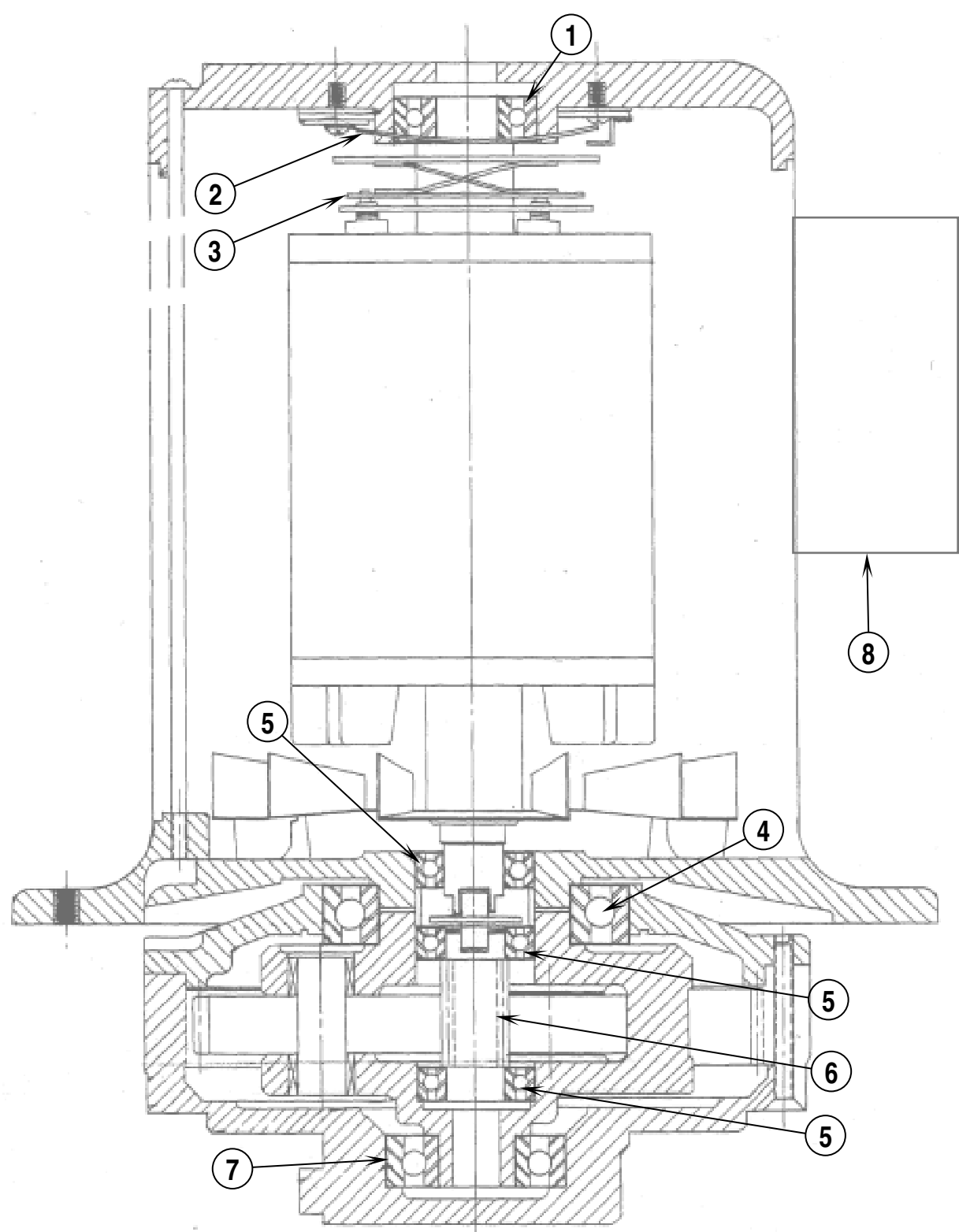
Item	Ref. No.	Qty	Description
S	56201034	1	Switch, N.O. SPST Snap
M	56026115	1	Motor .50HP (13)
	56201040	1	Motor / Gearbox, 1.25HP, 10:1 (17 / 20)
	56201627	1	Motor / Gearbox, 1.50HP, 10:1 (17HD / 20HD)



Item	Ref. No.	Qty	Description	Item	Ref. No.	Qty	Description
1	56009090	3	Scr, Pan Phil Loc 1/4-20 x 1.25	17	56096748	1	Brush Cover, 13"
2	56016513	1	Decal, SelectLine 13		56201664	1	Brush Cover, 17"
	56016654	1	Decal, SelectLine 17		56201665	1	Brush Cover, 20"
	56016655	1	Decal, SelectLine 20	18	56057224	1	Bumper, 13"
	56016661	1	Decal, SelectLine 17HD		56053729	1	Bumper, 17"
	56016662	1	Decal, SelectLine 20HD		56053331	1	Bumper, 20"
3	56646052	1	Motor Drip Cover (13)	19	56003508	4	Scr, Soc Hd Loc 5/16-18 x 1.75
	56201662	1	Motor Drip Cover (All 17 / 20 models)	20	56002569	2	Scr, Flt Phil Thd Form 10-24 x .50 (13)
4	56050872	3	Spacer, Phenolic (All 17 / 20 models)	21	56050294	1	Mounting Plate (13)
5	56057737	1	Screen, Perf. (13)	22	56009030	1	Scr, Pan Phil Thd Form 10-24 x .38 (13)
	56201650	1	Screen, Perf. (17 / 20)	23	56300152	1	Clamp, P (13)
	56201652	1	Screen, Perf. (17HD / 20HD)				
<b>Pad Holders / Pads / Brushes</b>							
6	56026115	1	Motor .50HP (13)				
	56035411	1	Gear Unit		56020371	1	Pad Holder 13 (standard)
				**	56020309	1	Grit Brush 13
	56201040	1	Motor / Gearbox, 1.25HP, 10:1 (17 / 20)	**	56020223	1	Poly Brush 13
				**	56020200	1	Steel Brush 13
*	56201037	1	Bearing, Front	**	56020196	1	Polish Brush 13
*	56201038	1	Switch, Stationary	**	56020194	1	Fiber Brush 13
*	56201039	1	Switch, Rotor	**	56637073	1	White Super Polish Pad 13
*	56201042	1	Capacitor, Start	**	56015660	1	Green Scrub Pad 13
*	56201043	1	Gear Head Assembly	**	56635154	1	Red Buff Pad 13
*	56201044	1	Pinion, 13 Teeth	**	56637071	1	Black Stripping Pad 13
*	56201045	1	Coupling				
	56201627	1	Motor / Gearbox, 1.50HP, 10:1 (17HD / 20HD)	**	56505910	1	Padholder Assembly 17 (standard)
				**	56505270	1	Level-Set Pad Holder 17
				**	56505915	1	ProLite™ Brush 17
*	56168167	1	Planetary Gear System	**	56505914	1	Prolene Brush 17
*	56201037	1	Bearing, Front	**	56505911	1	MagnaGrit™ 46 Brush 17
*	56201039	1	Switch, Rotor	**	56505912	1	DynaGrit™ 80 Brush 17
*	56201043	1	Gear Head Assembly	**	56505918	1	MidLite Grit™ 180 Brush 17
*	56201044	1	Pinion, 13 Teeth	**	56505917	1	MidGrit™ 240 Brush 17
*	56201045	1	Coupling	**	56505913	1	AgLite™ 500 Brush 17
*	56201623	1	Switch, Stationary	**	56505916	1	Union Mix Brush 17
*	56201954	1	Capacitor, Start	**	56505539	1	Soft-Touch™ Shampoo Brush 17
*	56201953	1	Capacitor, Run				
				**	56505920	1	Padholder Assembly 20 (standard)
7	56201663	1	Frame, Floor Machine	**	56505280	1	Level-Set Pad Holder 20
8	56003509	2	Pin, Spr., .50 x 2.75	**	56505925	1	ProLite™ Brush 20
9	56640341	2	Connecting Leg	**	56505924	1	Prolene Brush 20
10	56009001	4	Washer, Bowed .516 x .906 x .008 <b>NOTE #2</b>	**	56505921	1	MagnaGrit™ 46 Brush 20
11	56009266	4	Wsh, Flt .531 x .875 x .036	**	56505922	1	DynaGrit™ 80 Brush 20
12			<b>Intentionally Omitted</b>	**	56505928	1	MidLite Grit™ 180 Brush 20
13	56201018	2	Wheel, 5.00 x 1.50 <b>NOTE #2</b>	**	56505927	1	MidGrit™ 240 Brush 20
14	56009002	2	Wsh, Flt .266 x .906 x .060 <b>NOTE #2</b>	**	56505923	1	AgLite™ 500 Brush 20
15	56003039	2	Scr, Hex Hd Loc 1/4-20 x .50 <b>NOTE #2</b>	**	56505926	1	Union Mix Brush 20
16	56201089	1	Axle <b>NOTE #2</b>	**	56505540	1	Soft-Touch™ Shampoo Brush 20
				**	56506006	A/R	Clutch Plate for Above Brushes
				**	56393567	A/R	"Big Mouth" Pad Retainer

\* = Not Shown  
 \*\* = Optional

**NOTE #1:** Pad Holders and Brushes come complete with Industry Standard NP-92 Clutch Plate.  
**NOTE #2:** The axle and wheels have been changed to standardize parts. If you are replacing an old style Wheel **PN 56048058** or Axle **PN 56048067** you will need to order items (10 & 13-16), item 11 is re-used with the new assembly.



99-6	<b>SELECTLINE 13 MOTOR REPLACEMENT PARTS</b>		
02-5	<b>SelectLine™ 13 / 17 / 20 / 17HD / 20HD</b>		<b>7</b>

Item	Ref. No.	Qty	Description
1	56027177	1	Bearing, Commutator End
2	56026933	1	Switch, Stationary
3	56026932	1	Switch, Centrifugal
4	56027210	1	Bearing, Ball
5	56027213	3	Bearing, Ball
6	56038696	1	Pinion, 10:1 Ratio
7	56027212	1	Bearing, Ball
8	56028812	1	Capacitor, 375 MFD



**KENT/  
Euroclean**  
*Working For A Cleaner World*

Kent/Euroclean  
14600 21st Avenue North  
Plymouth, MN, 55447-3408  
[www.eurocleanusa.com](http://www.eurocleanusa.com)  
Phone: 800-334-1083  
Fax: 866-261-4779