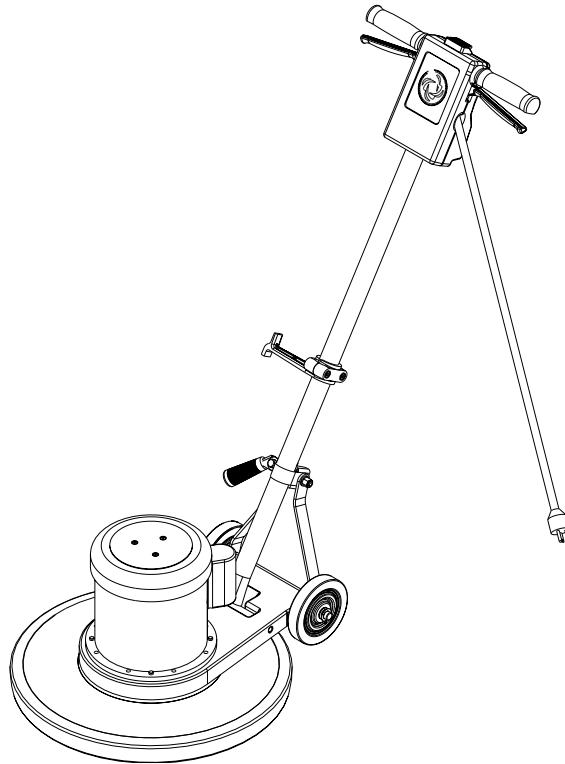


# SelectLine™ 17TS/20TS



## **PARTS LIST**

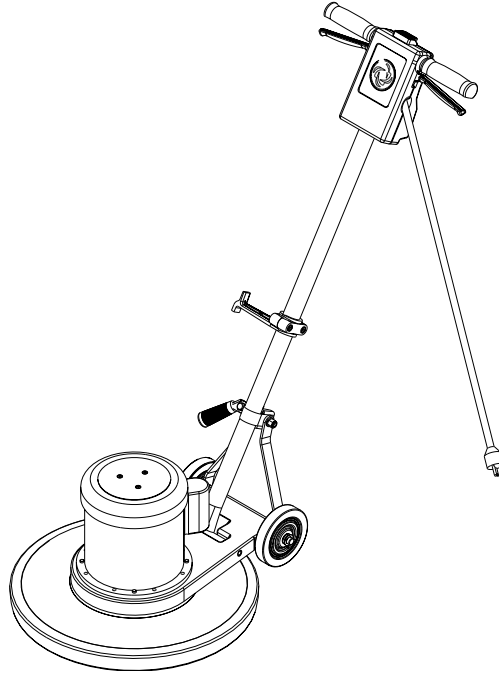
**Kent / Euroclean MODELS 56636966, 56636977**



**KENT**  
**Euroclean**

*Working For A Cleaner World*

6/99 revised 12/00 FORM NO. 56042383



| DESCRIPTION           | PAGE |
|-----------------------|------|
| HANDLE ASSEMBLY ..... | 2-3  |
| BASE ASSEMBLY .....   | 4-5  |
| WIRING DIAGRAM .....  | 5    |

#### WHEN ORDERING PARTS

- \* Use the 8 digit numbers from the "Ref. No." columns in this parts list.
- \* Specify the model and serial number of the machine.
- \* Use the space below to record the model and serial number for future reference.

Model \_\_\_\_\_ Serial No. \_\_\_\_\_

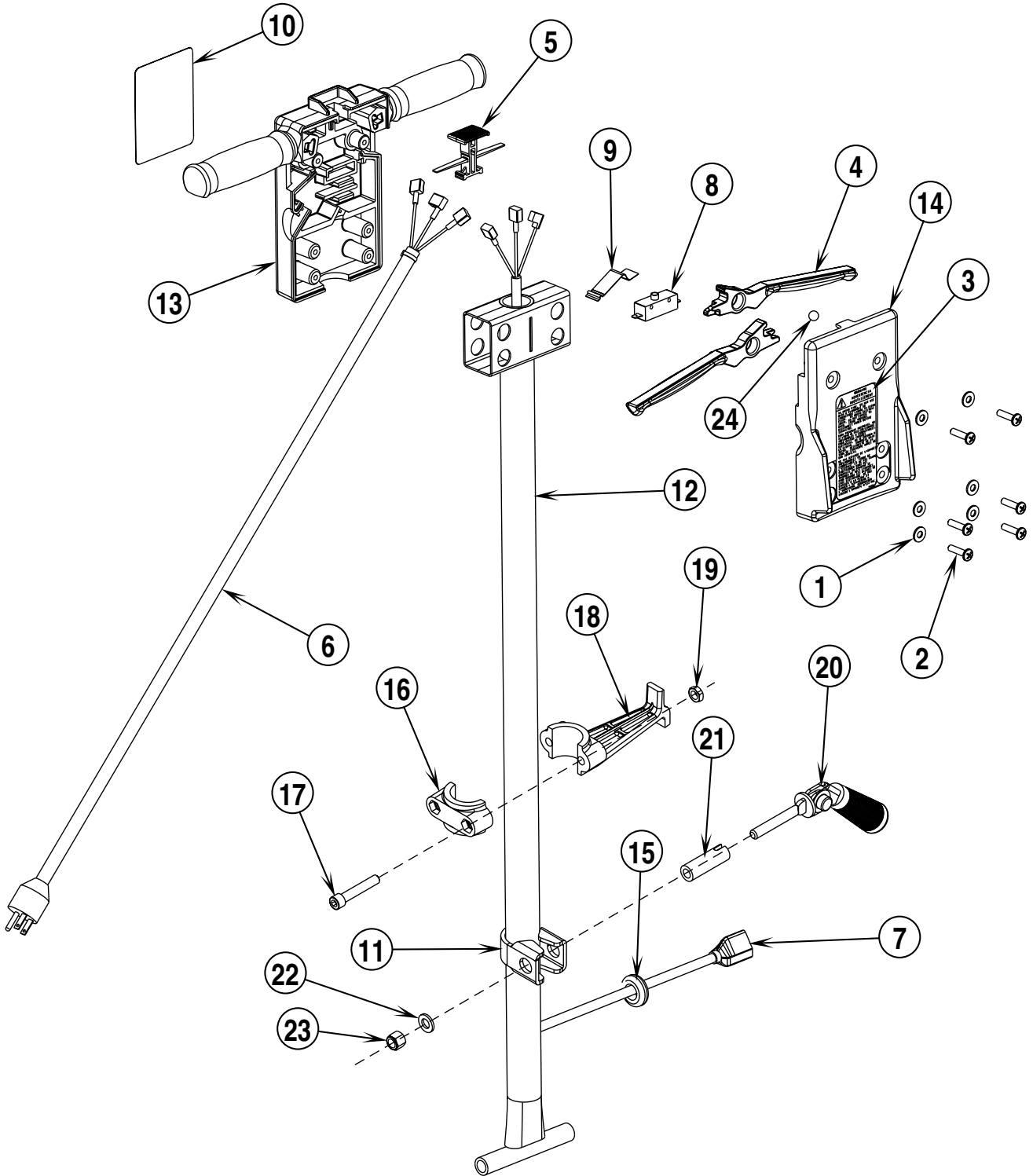
**HANDLE ASSEMBLY**

99-6

2

**SelectLine™ 17TS / 20TS**

00-3



|      |                                |  |          |
|------|--------------------------------|--|----------|
| 99-6 | <b>HANDLE ASSEMBLY</b>         |  |          |
| 00-3 | <b>SelectLine™ 17TS / 20TS</b> |  | <b>3</b> |

| Item | Ref. No. | Qty | Description                    |
|------|----------|-----|--------------------------------|
| 1    | 56002098 | 6   | Wsh, Flt SAE 1/4               |
| 2    | 56002292 | 6   | Scr, Pan Phil 1/4-20 x 1.00    |
| 3    | 56014828 | 1   | Decal, Warning                 |
| 4    | 56201027 | 2   | Handle Lever                   |
| 5    | 56201031 | 1   | Button, Lock                   |
| 6    | 56201032 | 1   | Cord Set, 14/3 x 50'           |
| 7    | 56201033 | 1   | Cord Assembly 14/3             |
| 8    | 56201034 | 1   | Switch, N.O. SPST Snap         |
| 9    | 56263648 | 1   | Spring, Plate                  |
| 10   | 56016350 | 1   | Decal, Logo                    |
| 11   | 56046595 | 1   | Clamp, Handle - Lock           |
| 12   | 56201655 | 1   | Handle Weldment                |
| 13   | 56201656 | 1   | Handle, Front                  |
| 14   | 56201657 | 1   | Handle, Back                   |
| 15   | 56760212 | 1   | Grommet                        |
| 16   | 56048572 | 1   | Cord Hook, Cap                 |
| 17   | 56003508 | 2   | Scr, Soc Hd Loc 5/16-18 x 1.75 |
| 18   | 56048571 | 1   | Cord Hook, Body                |
| 19   | 56009086 | 2   | Nut, Hex Jam 5/16-18           |
| 20   | 56032656 | 1   | Cam Lock                       |
| 21   | 56046606 | 1   | Spacer Guide                   |
| 22   | 56009214 | 1   | Wsh, Flt .406 x .750 x .090    |
| 23   | 56002769 | 1   | Nut, Hex Nyl Loc 3/8-16        |
| 24   | 56201592 | 1   | Ball, 1/4 SS                   |

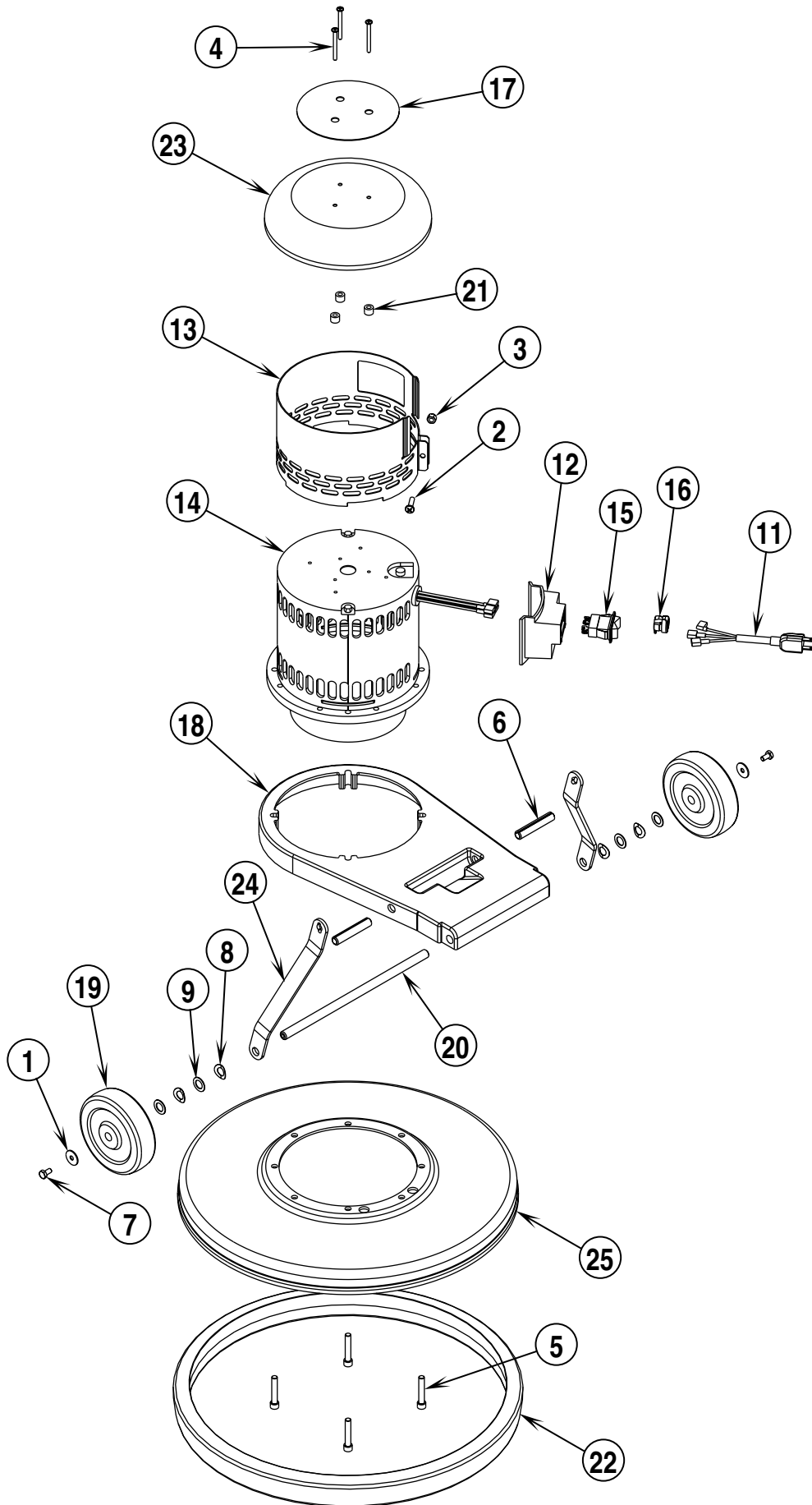
**BASE ASSEMBLY**

99-6

4

**SelectLine™ 17TS / 20TS**

00-12

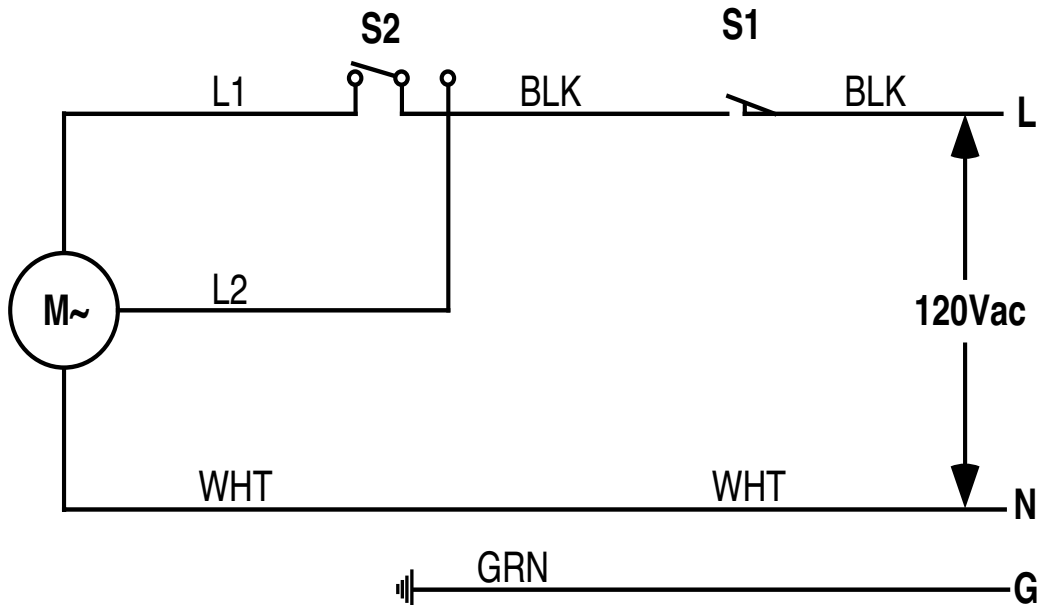


| Item | Ref. No. | Qty | Description                                  | Item | Ref. No. | Qty | Description                    |
|------|----------|-----|--|------|----------|-----|--------------------------------|
| 1    | 56009002 | 2   | Wsh, Flt .266 x .906 x .060 <b>NOTE #2</b>   | 20   | 56201089 | 1   | Axle <b>NOTE #2</b>            |
| 2    | 56002292 | 1   | Scr, Pan Phil 1/4-20 x 1.00                  | 21   | 56050872 | 3   | Spacer, Phenolic               |
| 3    | 56002708 | 1   | Nut, Hex Nyl Loc 1/4-20                      | 22   | 56053729 | 1   | Bumper, 17"                    |
| 4    | 56003507 | 3   | Scr, Pan Phil Loc 10-32 x 2.00               |      | 56053331 | 1   | Bumper, 20"                    |
| 5    | 56003508 | 6   | Scr, Soc Hd Loc 5/16-18 x 1.75               | 23   | 56201666 | 1   | Motor Drip Cover               |
| 6    | 56003509 | 2   | Pin, Spr. .50 x 2.75                         | 24   | 56640341 | 2   | Connecting Leg                 |
| 7    | 56003039 | 2   | Scr, Hex Hd Loc 1/4-20 x .50 <b>NOTE #2</b>  | 25   | 56201664 | 1   | Brush Cover, 17"               |
| 8    | 56009001 | 4   | Wsh, Bowed .516 x .906 x .008 <b>NOTE #2</b> |      | 56201665 | 1   | Brush Cover, 20"               |
| 9    | 56009266 | 4   | Wsh, Flt .531 x .875 x .036                  |      | 56505910 | 1   | Pad Holder, 17" (standard)     |
| 10   |          |     | <b>Intentionally Omitted</b>                 |      | 56505920 | 1   | Pad Holder, 20" (standard)     |
| 11   | 56201014 | 1   | Cord Set                                     | **   | 56505270 | 1   | Level-Set Pad Holder 17        |
| 12   | 56201320 | 1   | Housing, Switch                              | **   | 56505280 | 1   | Level-Set Pad Holder 20        |
| 13   | 56201322 | 1   | Screen                                       | **   | 56505915 | 1   | ProLite™ Brush 17              |
| 14   | 56201330 | 1   | Motor Assembly, 2 Speed, 115V                | **   | 56505925 | 1   | ProLite™ Brush 20              |
| *    | 56201603 | 2   | Scr, Hex Hd Mach 1/4-28 x 7.00               | **   | 56505914 | 1   | Prolene Brush 17               |
| *    | 56201604 | 1   | Bushing/Grommet Rubber                       | **   | 56505924 | 1   | Prolene Brush 20               |
| *    | 56201605 | 1   | Wash Brng Spring                             | **   | 56505911 | 1   | MagnaGrit™ 46 Brush 17         |
| *    | 56201606 | 1   | Fan Stamped                                  | **   | 56505921 | 1   | MagnaGrit™ 46 Brush 20         |
| *    | 56201607 | 1   | Bearing                                      | **   | 56505912 | 1   | DynaGrit™ 80 Brush 17          |
| *    | 56201608 | 1   | Compl. Comm Cur Assy 180                     | **   | 56505922 | 1   | DynaGrit™ 80 Brush 20          |
| *    | 56201609 | 1   | Speed Ctrl & Lead Assy                       | **   | 56505918 | 1   | MidLite Grit™ 180 Brush 17     |
| *    | 56201610 | 1   | Com Cover                                    | **   | 56505928 | 1   | MidLite Grit™ 180 Brush 20     |
| *    | 56201611 | 1   | Compl. Brush Ring & Lead                     | **   | 56505917 | 1   | MidGrit™ 240 Brush 17          |
| *    | 56201612 | 1   | Brush Ring Assy                              | **   | 56505927 | 1   | MidGrit™ 240 Brush 20          |
| *    | 56201613 | 4   | Brush Spring                                 | **   | 56505913 | 1   | AgLite™ 500 Brush 17           |
| *    | 56201614 | 2   | Brush Assy                                   | **   | 56505923 | 1   | AgLite™ 500 Brush 20           |
| *    | 56201615 | 1   | Compl. Stat. Assy                            | **   | 56505916 | 1   | Union Mix Brush 17             |
| *    | 56201616 | 1   | Compl. Arm. Assy                             | **   | 56505926 | 1   | Union Mix Brush 20             |
| *    | 56180163 | 1   | Rectifier, 35A                               | **   | 56505539 | 1   | Soft-Touch™ Shampoo Brush 17   |
| 15   | 56377003 | 1   | Switch, Rocker DPDT                          | **   | 56505540 | 1   | Soft-Touch™ Shampoo Brush 20   |
| 16   | 56382818 | 1   | Strain Relief                                | **   | 56506006 | A/R | Clutch Plate for Above Brushes |
| 17   | 56016656 | 1   | Decal, 17                                    | **   | 56393567 | A/R | "Big Mouth" Pad Retainer       |
|      | 56016657 | 1   | Decal, 20                                    |      |          |     |                                |
| 18   | 56201663 | 1   | Frame, Floor Machine                         |      |          |     |                                |
| 19   | 56201018 | 2   | Wheel, 5.00 x 1.50 <b>NOTE #2</b>            |      |          |     |                                |

\* = Not Shown  
\*\* = Optional

**NOTE #1:** Pad Holders and Brushes come complete with Industry Standard NP-92 Clutch Plate.

**NOTE #2:** The axle and wheels have been changed to standardize parts. If you are replacing an old style Wheel **PN 56048058** or Axle **PN 56048067** you will need to order items (1, 7, 8, 19 & 20), item 9 is re-used with the new assembly.



| Item | Ref. No. | Qty | Description             |
|------|----------|-----|-------------------------|
| S1   | 56201034 | 1   | Switch, N.O. SPST Snap  |
| S2   | 56377003 | 1   | Switch, Rocker          |
| M    | 56201330 | 1   | Motor Assembly, 2 Speed |



Kent/Euroclean  
14600 21st Avenue North  
Plymouth, MN, 55447-3408  
[www.eurocleanusa.com](http://www.eurocleanusa.com)  
Phone: 800-334-1083  
Fax: 866-261-4779