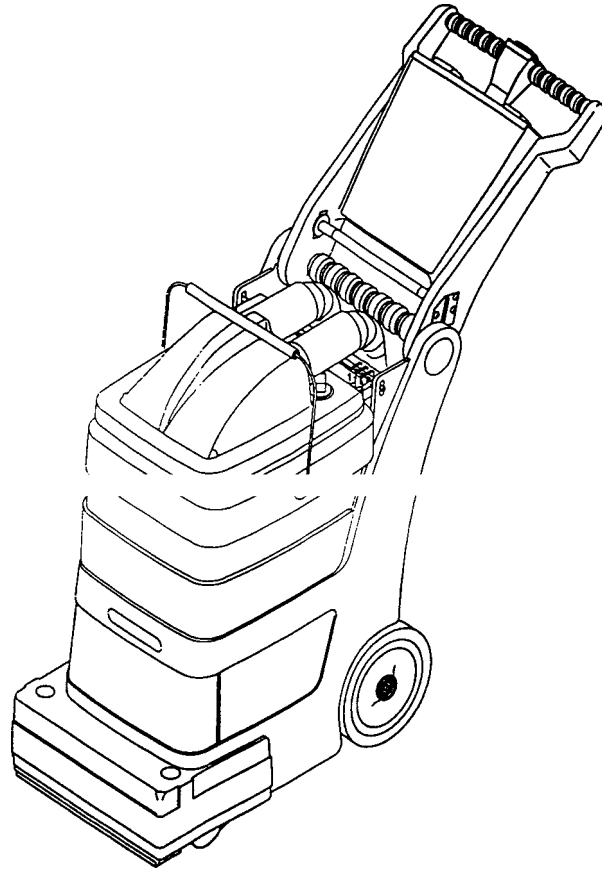


SelecTrac™ 12



PARTS LIST

Kent/Euroclean MODEL 56648044



KENT
Euroclean

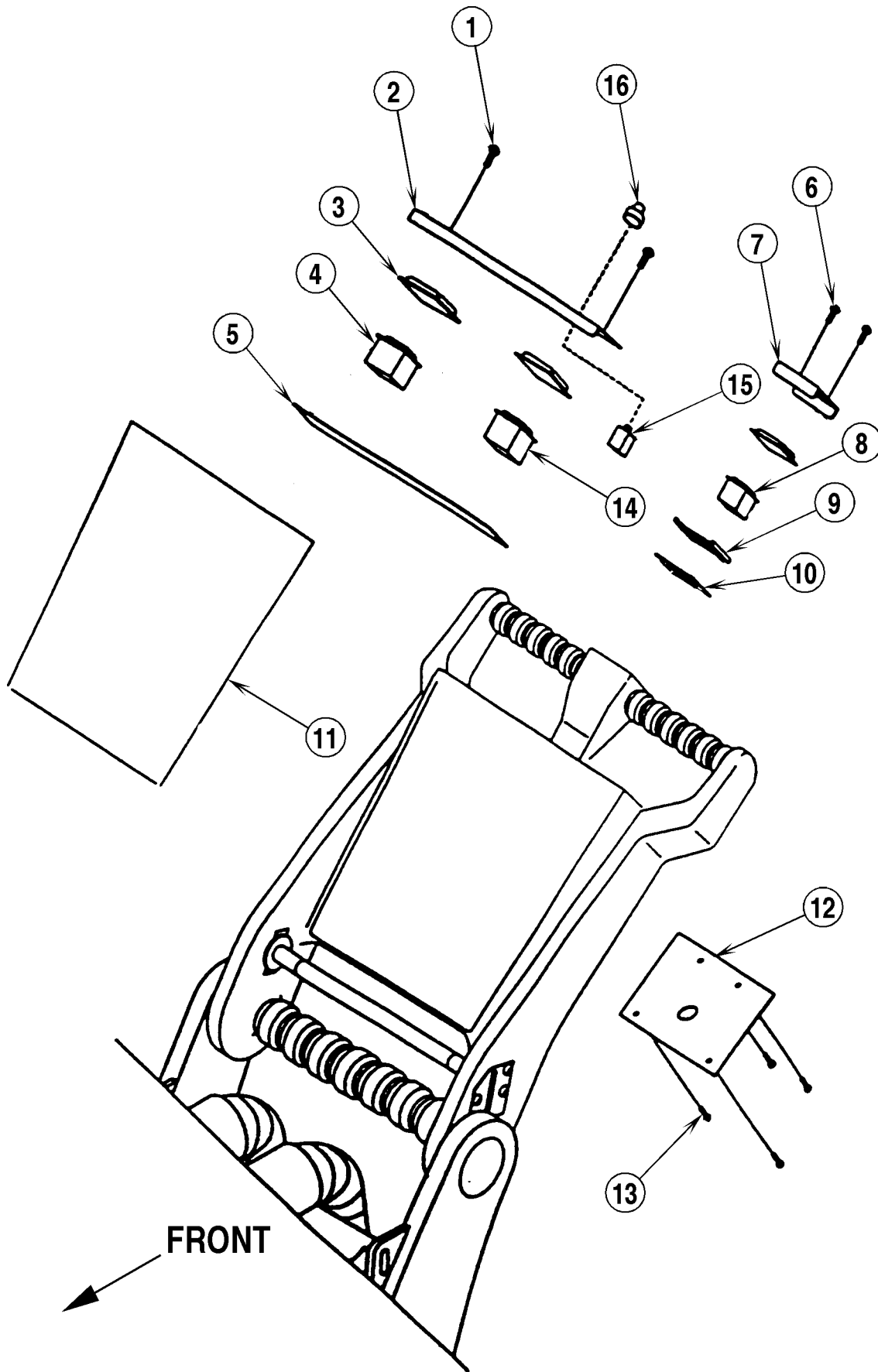
Working For A Cleaner World

DESCRIPTION	PAGE
SWITCH HOUSING	2-3
HANDLE ASSEMBLY	4-5
TANK ASSEMBLY	6-7
LID ASSEMBLY	8-9
BRUSH ROLL ASSEMBLY	10-11
MOTORS	12-13
EXTERIOR PARTS	14-15
WIRING DIAGRAM	16
RECOMMENDED SPARE PARTS	17

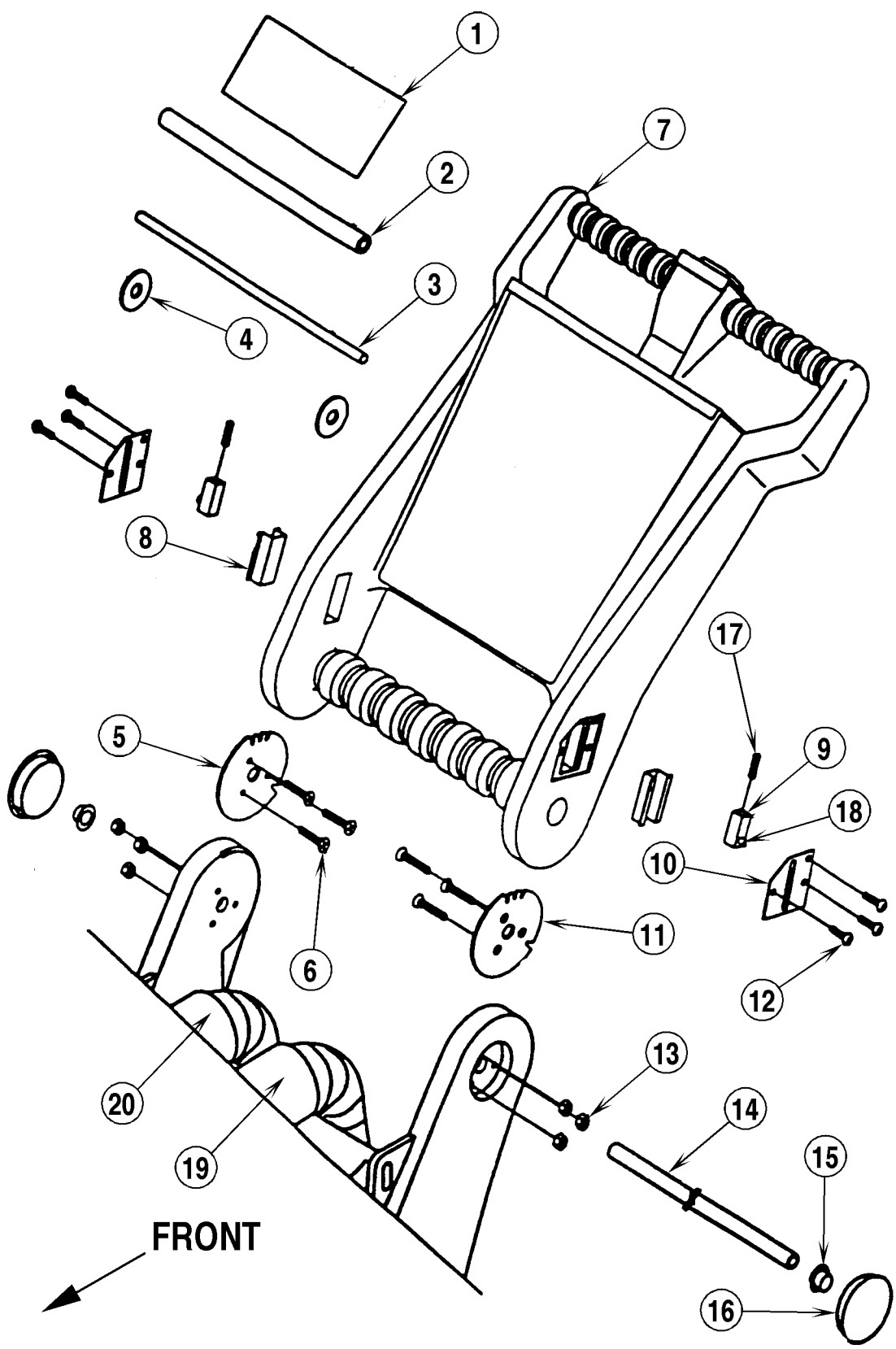
WHEN ORDERING PARTS

- * Use the 8-10 digit numbers from the "Ref. No." columns in this parts list.
- * Specify the model and serial number of the machine.
- * Use the space below to record the model and serial number for future reference.

Model _____ Serial No. _____

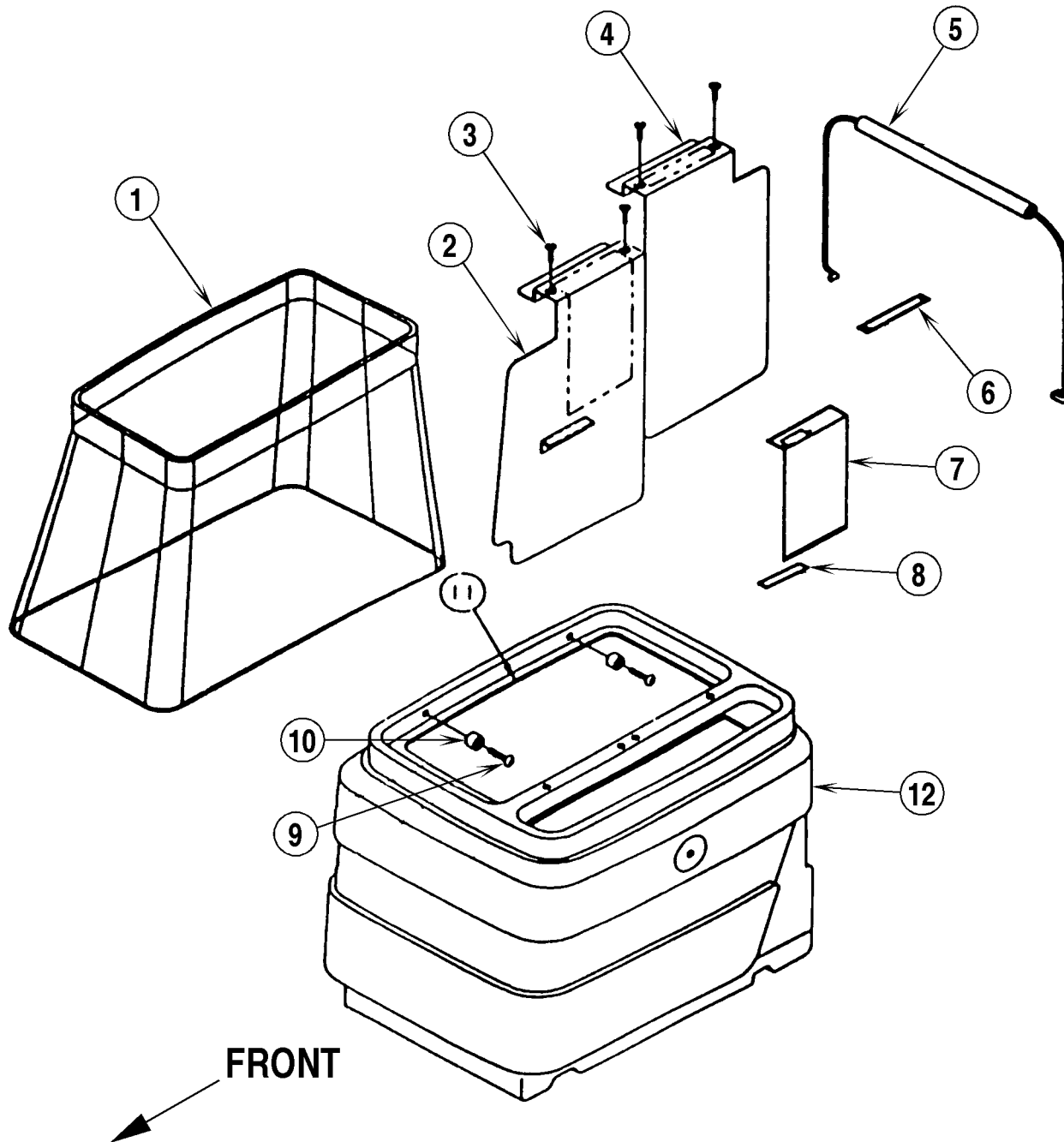


Item	Ref. No.	Qty	Description
1	56628917	2	Screw, Mach—8/32 X 3/8l
2	56628941	1	Plate,Switch Mounting
3	1410751010	3	Cover, Rocker Switch
4	56628942	1	Switch,Rocker—Dpdt Black
5	56628943	1	Gasket,Switchplate
6	56628944	2	Screw,6-32 X 5/8 Phil. Hd.
7	56628945	1	Plate,Mom. Switch Mounting
8	1410866010	1	Switch,Push Button
9	56628946	1	Plate,Mom. Switch
10	56628947	1	Gasket,Mom. Switch
11	56628948	1	Label,Instruction
12	56628949	1	Plate,Cover
13	56628917	4	Screw, Mach—8/32 X 3/8l
14	1410749010	1	Switch, Rocker—115/230, 20a
15	56628950	1	Circuit Breaker—1.2 A
16	56628951	1	Seal,Circuit Breaker



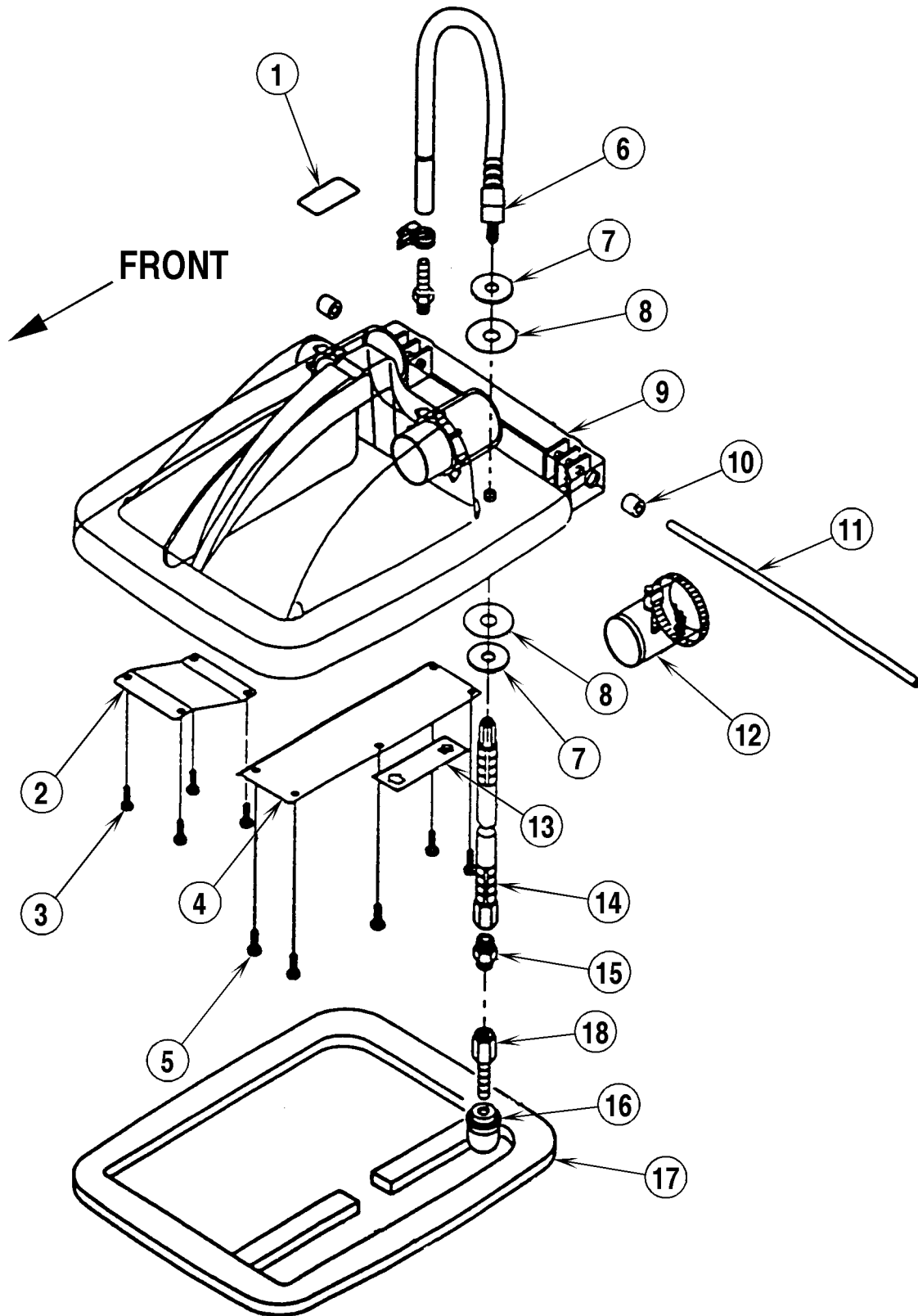
00-7	HANDLE ASSEMBLY		
02-10	SelecTrac™ 12		5

Item	Ref. No.	Qty	Description
1	56628952	1	Label,Handle Adjust.
2	56628953	1	Tube,Pull Lock
3	56628954	1	Rod,Pull Lock
4	56628955	2	Washer,Nylon—1.25" Od
5	56628956	1	Disk,Locking—Right
6	56628957	6	Screw—8-32 X 1,Flat Hd
7	56628958	1	Handle
8	56628959	2	Bracket,Guide
9	56628960	2	Slide Lock,Nylon
10	56628961	2	Plate,Cover
11	56628962	1	Disk,Locking—Left
12	56628917	6	Screw, Mach—8/32 X 3/8l
13	56628963	6	Nut,Lock—8-32 Ss
14	56628964	1	Tube,Handle
15	1410777010	2	Nut, Push—1/2" Cap
16	56628965	2	Plug,Hole—2"
17	56628966	2	Spring,Locking Mechanism
18	56628967	2	Pin,Dowel—Slide Lock
19	56649828	1	Cuff, Hose – Gray 1.5 Hose, 1.75 Tube-Left
20	1410969010	1	Cuff, Hose – Black 1.5 Hose, 1.75 Tube-Right



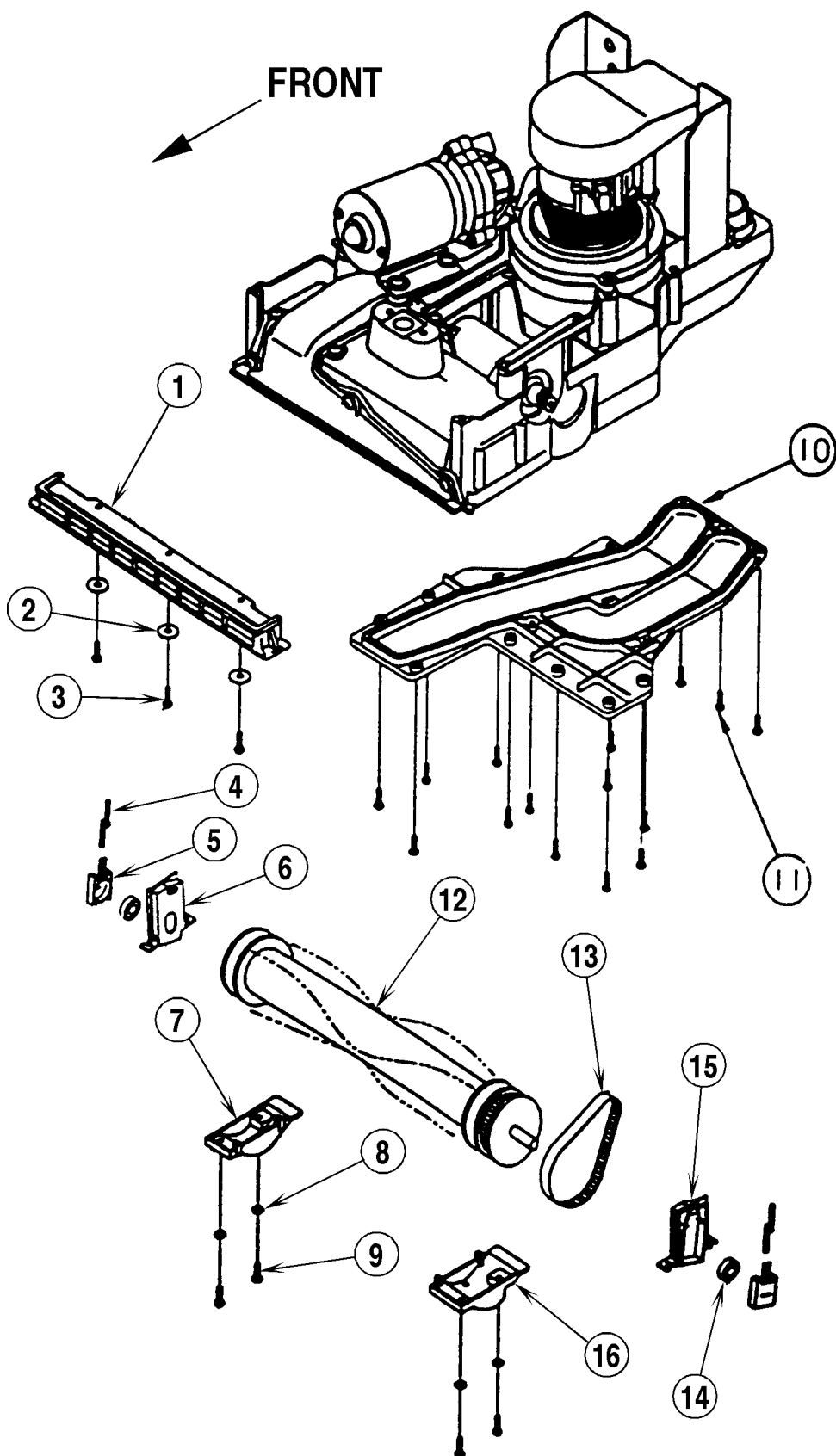
00-7	TANK ASSEMBLY		
02-10	SelecTrac™ 12		7

Item	Ref. No.	Qty	Description
	56649829	1	Bucket Complete (#1-12)
1	1410890010	1	Asm,Bladder—3 Gal
2	56628968	1	Plate,Divider—Front
3	56628969	4	Screw—8-32 X 1/2 Flat Hd Ss
4	56628970	1	Plate,Divider—Rear
5	1410894010	1	Asm,Bail Handle
6	56628971	1	Label,Anti Foam
7	56628972	1	Label,Do Not Overfill
8	56628973	1	Label,Fill Level
9	56628974	2	Screw—8-32 X 5/8 Truss Hd Ss
10	56628975	2	Spacer,Nylon
11	1410900010	1	Gasket,Bucket
12	1410901010	1	Bucket—3 Gal.



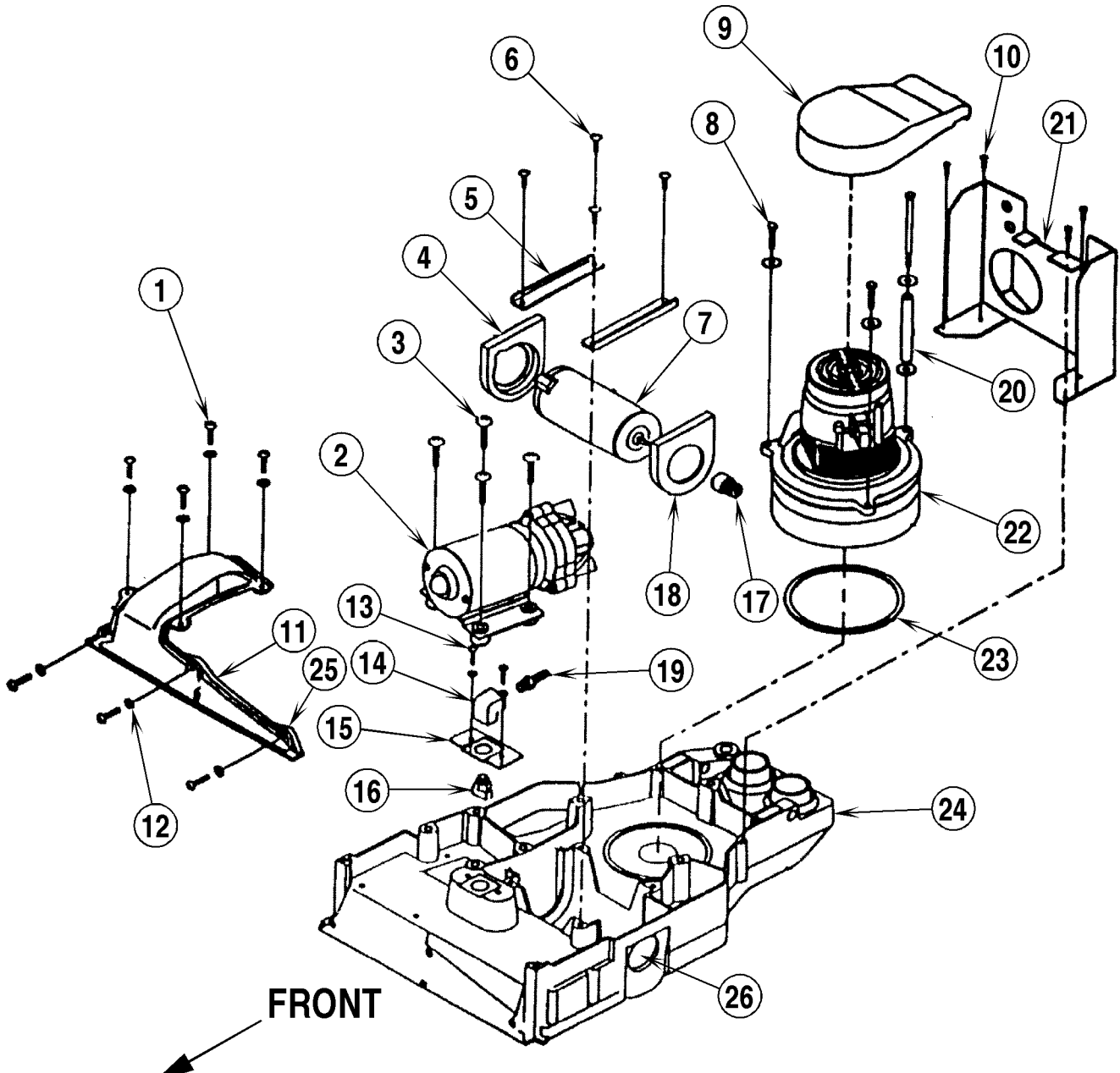
00-7	LID ASSEMBLY		
02-10	SelecTrac™ 12		9

Item	Ref. No.	Qty	Description
	56649830	1	Dome Assembly Complete
	56649831	1	Dome W/Gaskets, Inserts & Labels
	56649832	1	Dome, Inserts, Tube Only, W/O Gaskets
1	56628976	1	Label, Patents
2	56628977	1	Plate, Deflector
3	56628978	7	Screw—6-32 X 3/8 Rd Hd Ss
4	56628979	1	Plate, Lid Gasket
5	56628980	2	Screw—6-32 X 3/8 Flat Hd Ss
6	56628981	1	Asm, Hose—Pump To Dome
7	56628982	2	Washer, Flat
8	56628983	2	Gasket, Rubber
9	1410910010	1	Dome, Clear
10	56628984	2	Tube, Latex—1/2" Long
11	56628985	1	Shaft, Dome Hinge
12	56628986	1	Filter, Screen—Air
13	56628987	1	Label, Clean Filter
14	1410915010	1	Asm, Hose W/Filter & Ck. Valve
15	56628989	1	Check Valve
16	1410917010	1	Filter, Screen—Water
17	56628990	1	Gasket, Dome
18	56649737	1	Barb, 1/4 x 3/8 FP Brass



00-7	BRUSH ROLL ASSEMBLY			
02-10	SelecTrac™ 12			11

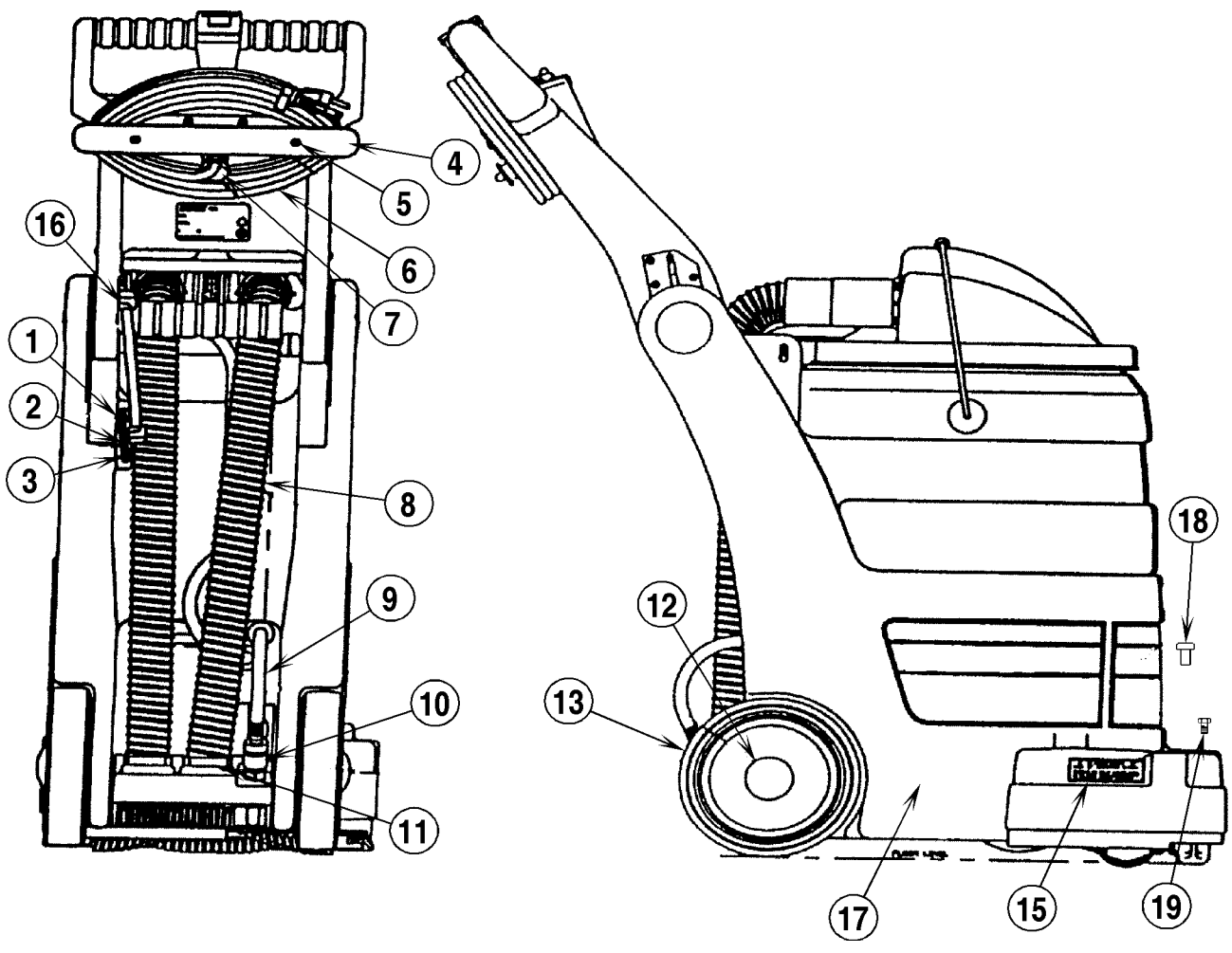
Item	Ref. No.	Qty	Description
1	1410920010	1	Shoe, Vacuum
	56649841	1	Shoe, Vacuum W/Gasket
2	56628992	3	Washer, Flat—#8 Ss
3	56628910	3	Screw, Mach—8-32 X 3/4, Ss
4	56628993	4	Spring, Brush
5	56628994	2	Block, Slide
6	1410933010	1	Retainer, Brush—Left
7	1410925010	1	Cover, Brush Retainer—Left (Before Jan 1999)
	56649809	1	Cover, Brush Retainer—Left (After Dec. 1998)
8	56628995	4	Washer, Cushion
9	56628974	4	Screw—8-32 X 5/8 Truss Hd Ss
10	56628996	1	Cover, Bottom
11	56628997	15	Screw—8-16 X 1 Plastite Pan Hd
12	1410929010	1	Asm, Brush Roll—W/Pulley (Before Jan 1999)
	56649815	1	Asm, Brush Roll—W/Pulley (After Dec. 1998)
13	1410930010	1	Belt—7mm X 300 Mm X 3mm Pitch
14	1410931010	2	Bearing, Brush
15	1410932010	1	Retainer, Brush—Right
16	1410924010	1	Cover, Brush Retainer—Right (Before Jan 1999)
	56649810	1	Cover, Brush Retainer—Right (After Dec. 1998)



00-7	MOTORS			
02-10	SelecTrac™ 12			13

Item	Ref. No.	Qty	Description
1	56628974	7	Screw—8-32 X 5/8 Truss Hd Ss
2	1410934010	1	Pump—115v,1.4 Gpm,W/Bypass
	56649738	1	Pump, Complete (includes wire connectors)
3	56628998	4	Screw—1/4-20 X 1 Rd Hd Ss
4	1410936010	1	Mount, Motor—Pump Rear
5	56628999	2	Clamp, Brush Motor
6	56628974	4	Screw—8-32 X 5/8 Truss Hd Ss
7	56629000	1	Motor, Brush—115v/60hz
8	56629001	2	Asm, Bolt 1-1/4"
9	56629002	1	Intercooler
10	56628997	4	Screw—8-16 X 1 Plastite Pan Hd
11	56629003	1	Cover, Suction
	56649834	1	Cover, Suction W/Gasket
12	56629004	7	Washer, Backup
13	56629005	2	Screw—8-32 X 1/2 Phil. Hd.
14	56629006	1	Elbow, Brs—90deg, 1/8fp X 1/8fp
15	56629007	1	Bracket, Spray Nozzle
16	56629008	1	Nozzle, Spray—1/8" X 11006
17	1410947010	1	Pulley—16 Tooth W/Screw NOTE
18	56629009	1	Mount, Motor—Front
19	1410949010	1	Barb—1/4" X 1/8" Mp, Brass
20	56629010	1	Asm, Bolt—1/4 X 4"
21	56629011	1	Backplate
22	1410952010	1	Mtr, Vac—115v/60hz
23	56629013	1	Gasket, Vac Motor
24	1410954010	1	Chassis (Before Jan 1999)
	56649811	1	Chassis (After Dec. 1998)
25	56649835	4	Lens Gasket
26	56649836	1	Ball Valve

NOTE: You must order a qty of 7 screws PN56649833 when ordering 1410947010.

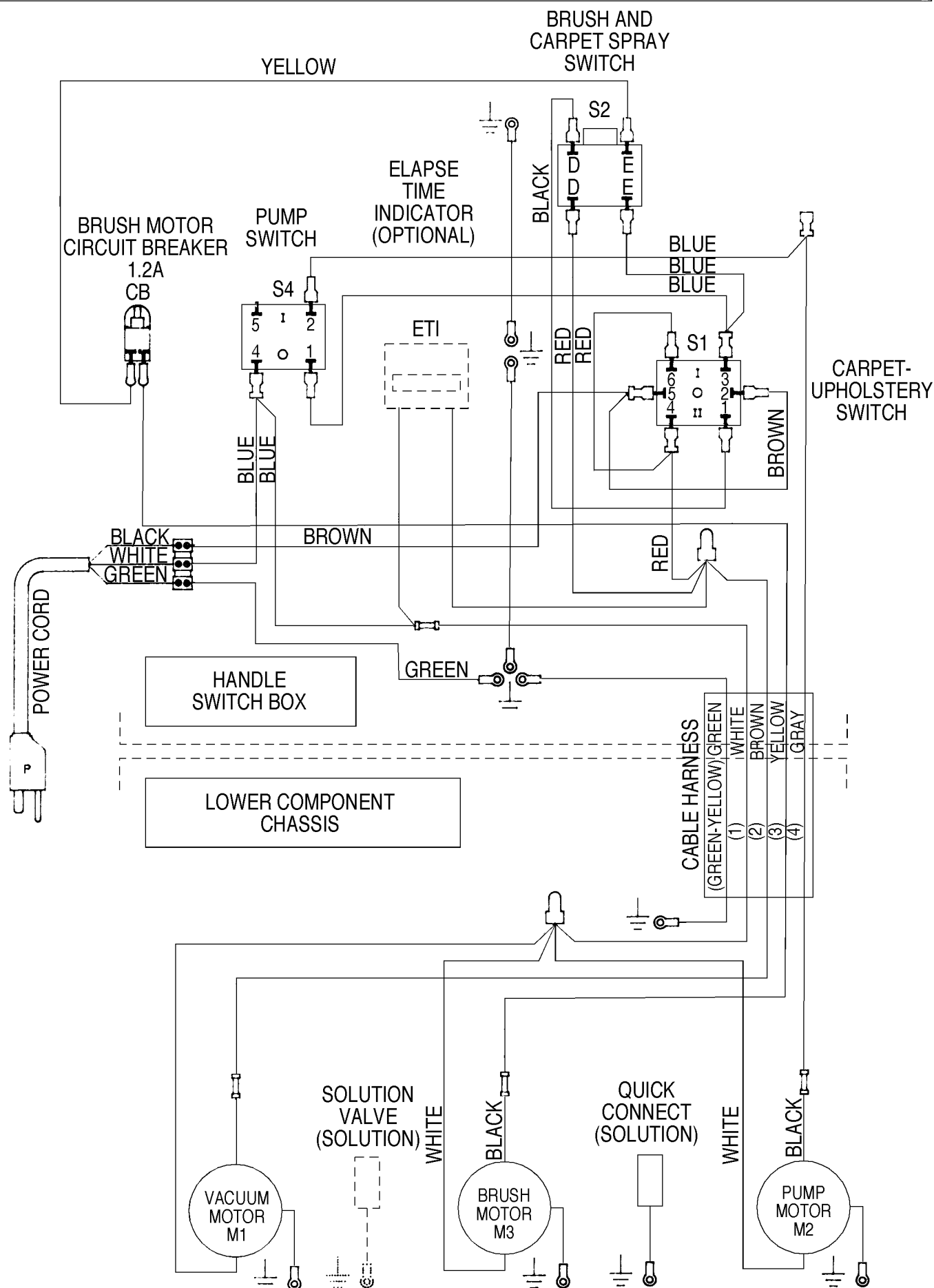


00-7	EXTERIOR PARTS			
02-10	SelectTrac™ 12			15

Item	Ref. No.	Qty	Description
1	56629014	4	Screw—6-32 X 3/4 Phil. Hd.
2	56629015	2	Plate, Strain Relief
3	56629016	2	Gasket, Strain Relief
4	56629017	1	Plate, Cord Wrap
5	56628917	2	Screw, Mach—8/32 X 3/8l
6	56629018	1	Cord, Power—16-3 Sjt, 20'
7	56629019	1	Relief, Strain
8	56629020	2	Hose, Vac—1-1/2" Wire Reinf.
9	56629021	1	Asm, Hose—Quick Connect
10	56629022	1	Quick Disconnect
11	56629023	2	Clamp, Hose—1-1/2" Nylon
12	1410965010	2	Cap, Hub
13	56629024	2	Wheel—7" Dia. X 3/8" Bore
*	56649837	1	Axle, Wheel
15	56629025	1	Label, Caution
16	56629026	2	Relief, Strain
17	56649839	1	Motor Housing
18	56649838	2	Plug, Hole 1"
19	56649840	2	Scr, Phil 10-32 x .62
**	56033224	A/R	Asm, Hose-15ft - 100 Psi Rated
**	56034053	A/R	Asm, Hose-20ft - High Press-100 Psi Rated
**	1410858010	A/R	Hose Assy Tool Package
**	56039631	A/R	Drag Tool, SS

* = Not Shown

** = Optional Accessories



00-7	RECOMMENDED SPARE PARTS		
02-10	SelecTrac™ 12		17

Ref. No.	Qty	Description
1410751010	3	Cover, Rocker Switch
56628942	1	Switch,Rocker—Dpdt, Black
1410866010	1	Switch,Push Button
1410749010	1	Switch,Rocker—115/230,20a
56628950	1	Circuit Breaker—1.2a
56628951	1	Seal,Circuit Breaker
56628960	2	Slide Lock,Nylon
56628966	2	Spring,Locking Mechanism
56628967	2	Pin,Dowel—Slide Lock
56628986	1	Filter,Screen—Air
56628989	1	Check Valve
1410917010	1	Filter,Screen—Water
56628993	4	Spring,Brush
56649815	1	Asm,Brush Roll W/Pulley
1410930010	1	Belt—7mm X 300mm X 3mm Pitch
1410931010	2	Bearing,Brush
1410934010	1	Pump—115v,1.4gpm,W/Bypass
56629008	1	Nozzle,Spray—1/8" X 11006
1410947010	1	Pulley—16 Tooth
56629020	2	Hose,Vac—1-1/2" Wire, Reinf.
56649828	1	Cuff, Hose – Gray 1.5 Hose, 1.75 Tube-Left
1410969010	1	Cuff, Hose – Black 1.5 Hose, 1.75 Tube-Right



Kent/Euroclean
14600 21st Avenue North
Plymouth, MN, 55447-3408
www.eurocleanusa.com
Phone: 800-334-1083
Fax: 866-261-4779