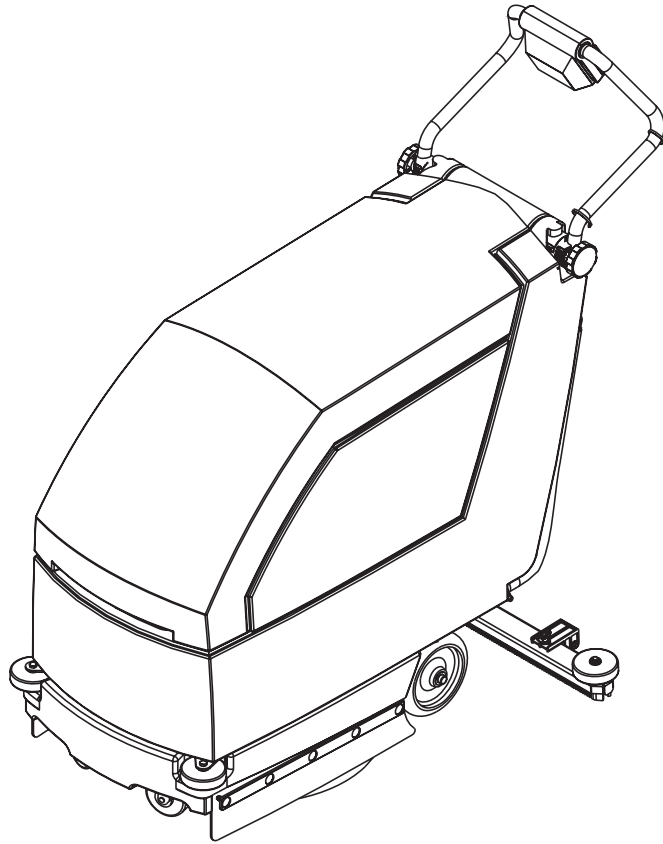


SelectScrub™ 17



PARTS LIST

Kent MODEL 56302300

This parts list is for machines after serial number 1294592



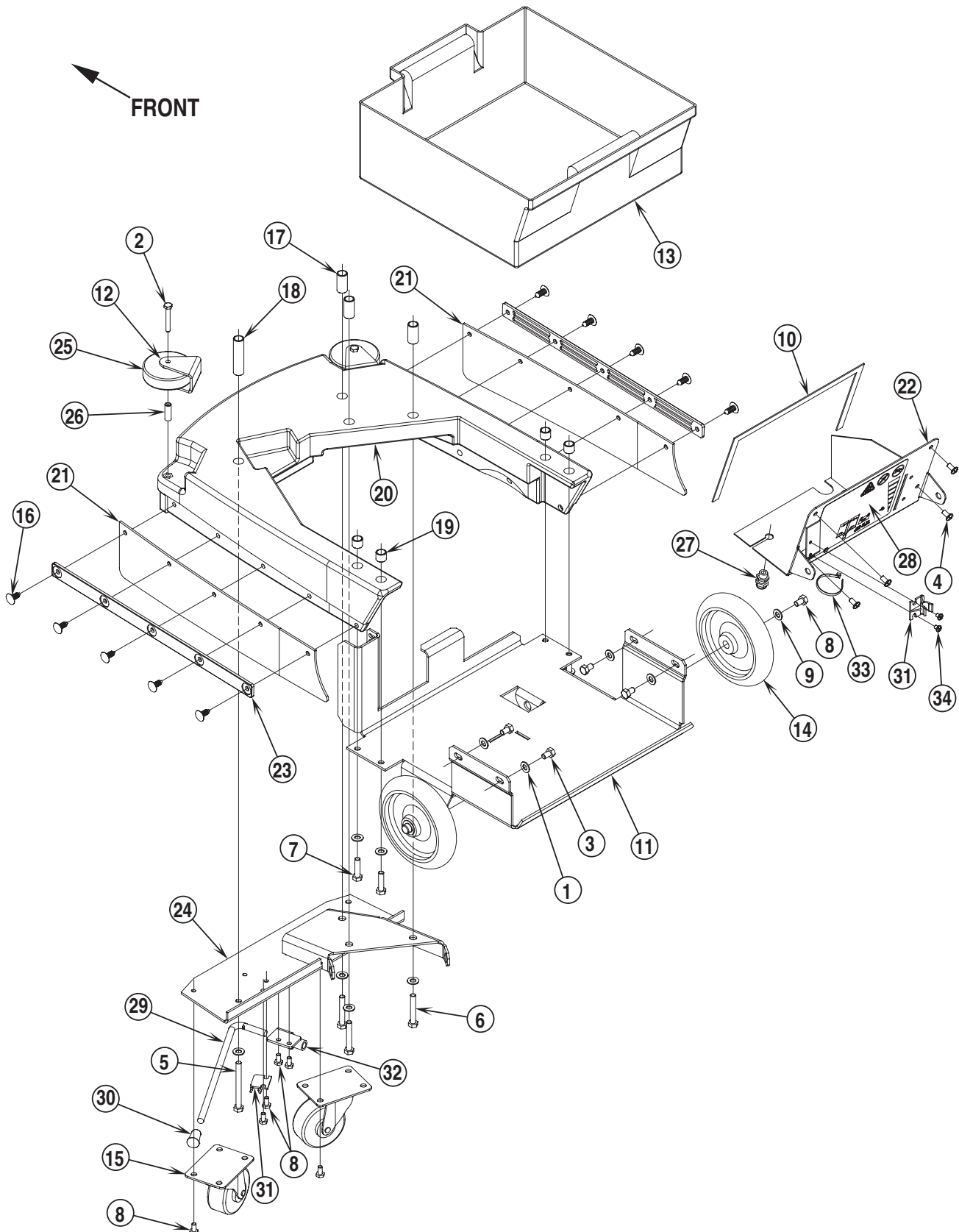
KENT

DESCRIPTION	PAGE
Chassis System	2-3
Handle System	4-5
Solution System	6-7
Recovery System	8-9
Squeegee System	10-11
Brush Drive System	12-13
Electrical System / Wiring Diagram	14-15

WHEN ORDERING PARTS

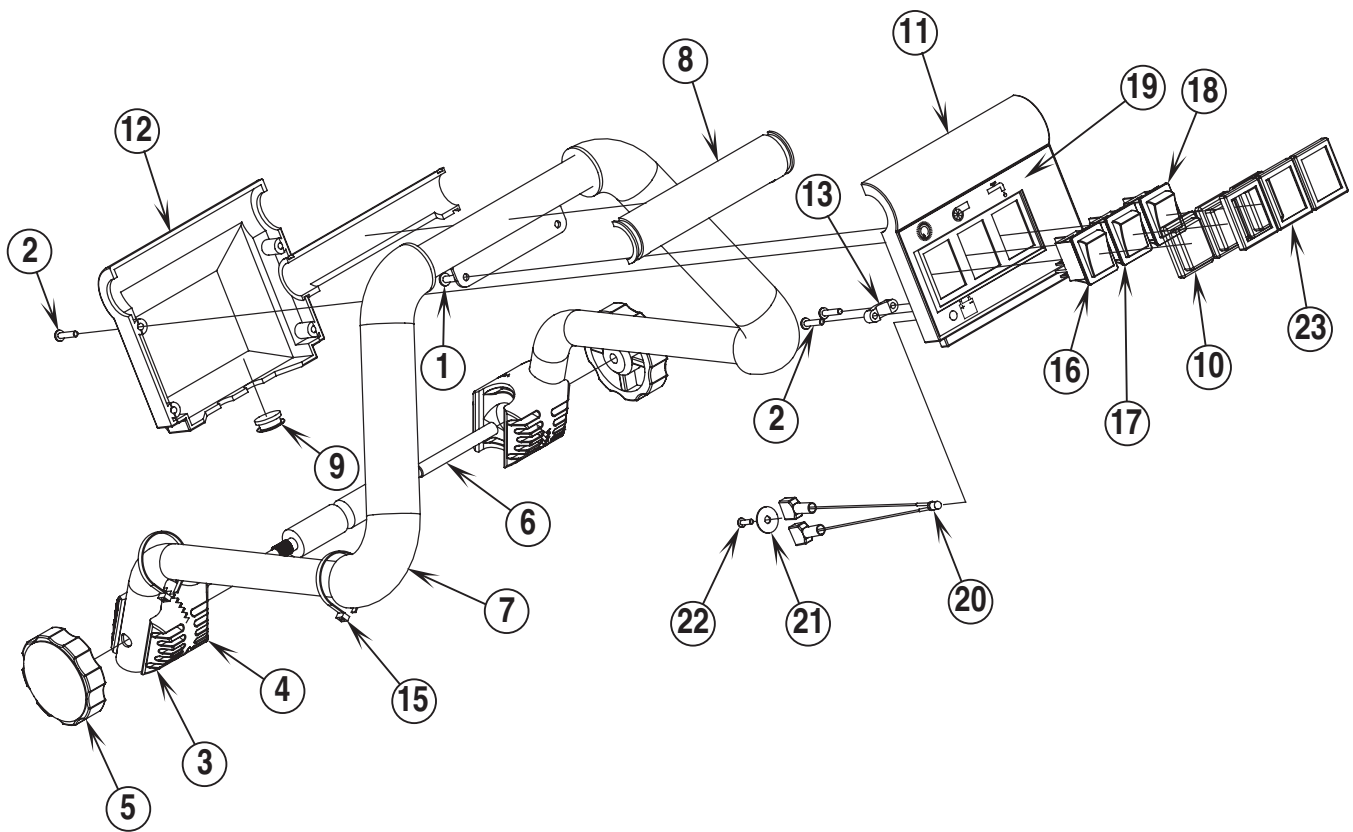
- * Use the 8 digit numbers from the "Ref. No." columns in this parts list.
- * Specify the model and serial number of the machine.
- * Use the space below to record the model and serial number for future reference.

Model _____ Serial No. _____



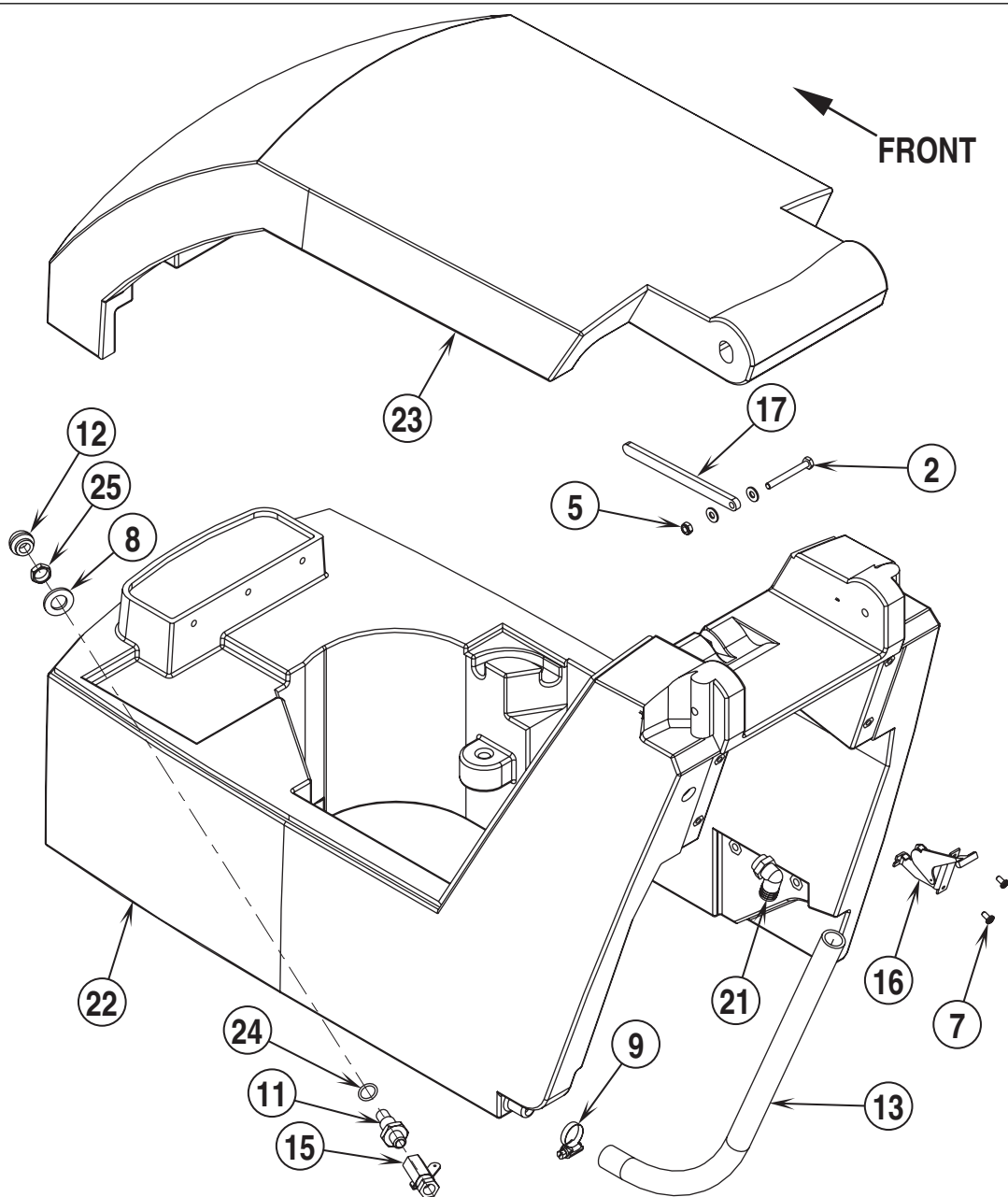
Item	Ref. No.	Qty	Description
1	56001939	12	Wsh, Flt SAE 5/16
2	56001967	2	Scr, Hex Hd 1/4-20 x 1.75
3	56002992	4	Scr, Hex Hd SS 5/16-18 x .50
4	56003119	4	Scr, Pan Phil SS 1/4-20 x .50
5	56003370	1	Scr, Hex Loc SS 5/16-18 x 3.25
6	56003371	3	Scr, Hex Loc SS 5/16-18 x 2.00
7	56003372	4	Scr, Hex Loc SS 5/16-18 x 1.25
8	56009033	10	Scr, Hex Thd Form 1/4-20 x .50
9	56009002	2	Wsh, Flt .26 x .90 x .06
10	66200754	21"	Gasket, RS Strip (53.34 cm)
11	56302116	1	Battery Box
12	56302132	2	Bracket, Wheel
13	56302143	1	Battery Tray
14	56302151	2	Wheel
15	56302152	2	Caster (before February 2000)
	56302319	2	Wheel, Caster (after January 2000)
16	56497860	10	Clip, Panel
17	56302191	3	Spacer
18	56302192	1	Spacer
19	56302193	4	Spacer
20	56302201	1	Skirt
21	56302205	2	Blade
22	56302208	1	Control Panel
23	56302211	2	Strap
24	66302213	1	Caster Mount
25	56324499	2	Wheel 3.00
26	56360139	2	Bushing
27	56456027	1	Strain Relief
28	66015939	1	Decal, Control Panel
29	56302247	1	Rod
30	56302244	1	Tip, Rubber
31	56302248	2	Clip
32	56302249	1	Kickstand Weldment
33	56478246	1	Tie, Cable
34	56009109	2	Scr, Pan Phil Thd Form 10-24 x .25

FRONT

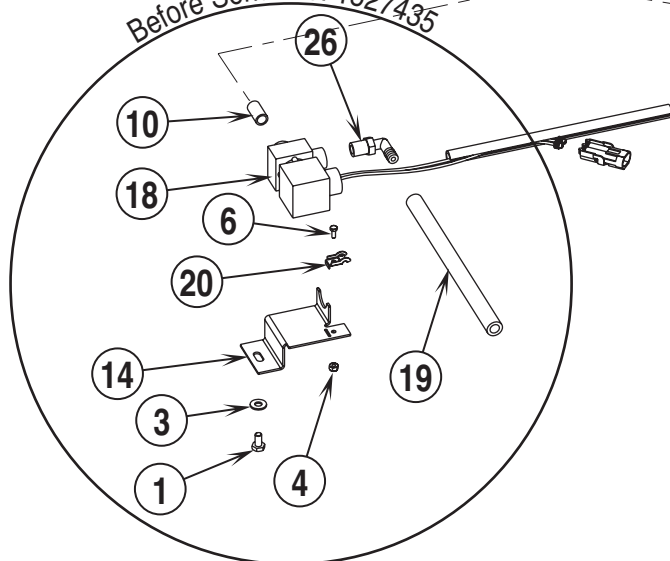


99-3	HANDLE SYSTEM		
02-8	SelectScrub™ 17		5

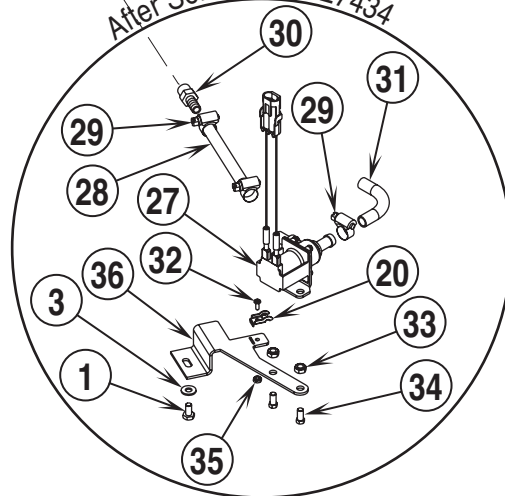
Item	Ref. No.	Qty	Description
1	56003093	2	Scr, Pan Phil Plastite 8-15 x .50
2	56003197	6	Scr, Pan Phil Plastite 6-18 x .62
3	56264118	2	Ratchet
4	56264123	2	Ratchet
5	56302167	2	Knob
6	56302227	2	Screw, Pivot
7	56302228	1	Handle Weldment
8	56302230	2	Handle Spacer
9	56302232	1	Plug
10	56340011	3	Protection Cap
11	56340076	1	Switch Housing, Front
12	56340077	1	Switch Housing, Rear
13	56340083	1	Clamp
15	56344346	2	Clamp, Handle
16	56340199	1	Brush Switch
17	56340199	1	Vacuum Motor Switch
18	56340199	1	Solution Solenoid Switch
19	56015960	1	Decal, Control Panel
20	56302240	1	LED Indicator Assembly (low battery)
21	56200190	1	Washer, Fibre
22	56003194	1	Scr, Pan Phil Plastite 4-24 x .38
23	56340195	3	Frame



Before Serial No. 1527435

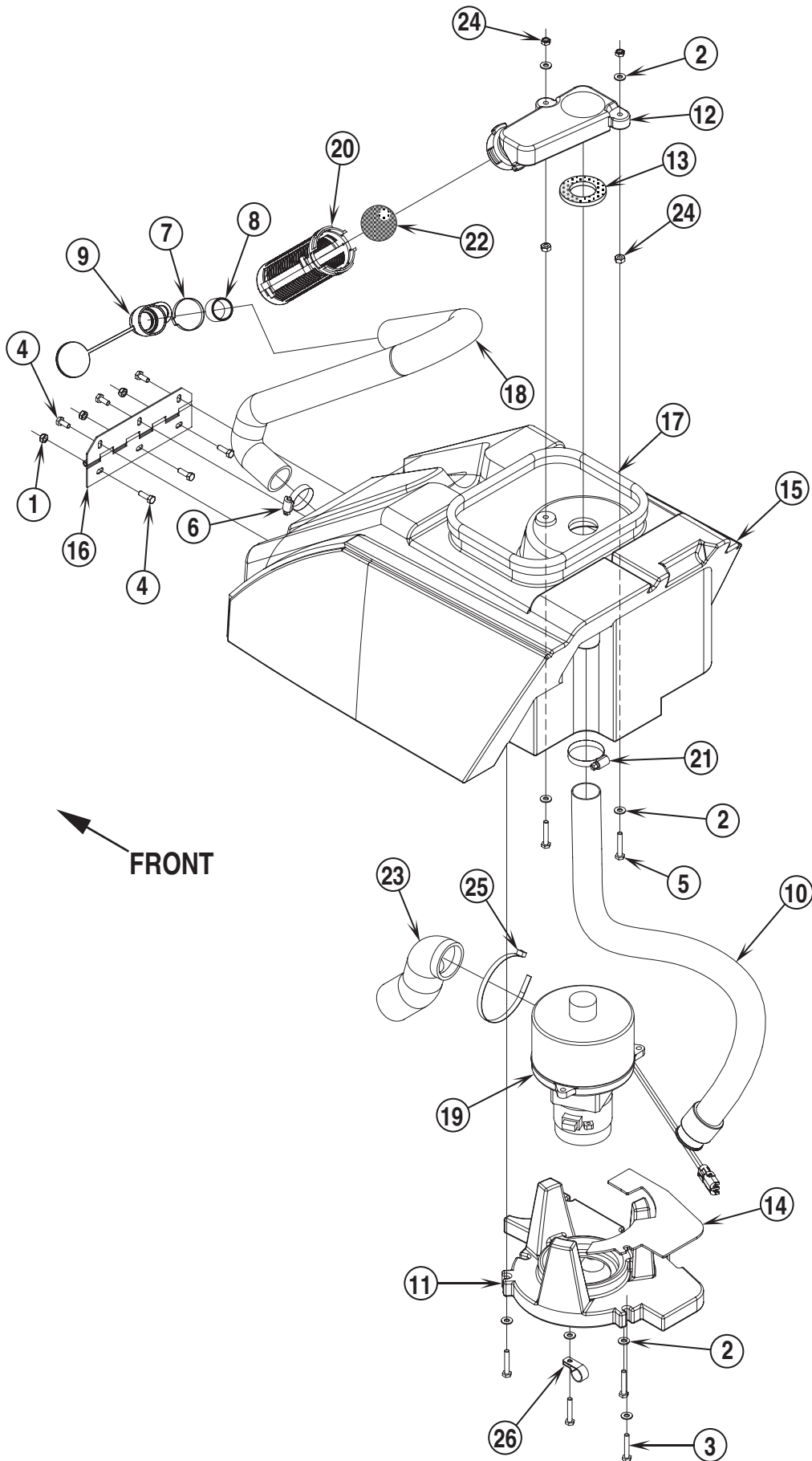


After Serial No. 1527434



Item	Ref. No.	Qty	Description
1	56001854	1	Scr, Hex Hd 1/4-20 x .50
2	56001856	1	Scr, Hex Hd 1/4-20 x 2.25
3	56002098	3	Wsh, Flt SAE 1/4
4	56002830	1	Nut, Hex Nyl Loc 6-32
5	56002840	1	Nut, Hex Nyl Loc-Thin 1/4-20
6	56003068	1	Scr, Hex Hd 6-32 x .38
7	56009030	2	Scr, Pan Phil Thd Form 10-24 x .38
8	56009218	1	Wsh, Flt .688 x 1.25 x .125
9	56112771	1	Clamp, Hose
10	56150223	1	Nipple, 1/4-18
11	56172075	1	Nipple, 1/4NPT x 5/8-18
12	56172096	1	Strainer
13	56228400	1	Solution Drain Hose
14	56302133	1	Bracket, Cable
15	56302158	1	One Way Ball Valve
16	56302159	1	Control Cable
17	56302206	1	Bar, Support
18	56302226	1	Solenoid Valve Assembly TSB 786
*	56324506	A/R	Viton Seal Kit
*	56324507	A/R	EPDM Seal Kit
19	56302260	1	Solution Drain Hose
20	56344265	1	Clamp, Cable
21	56456802	1	Barb, 90 Elbow 11/16 x 3/4NPT
22	56302203	1	Solution Tank
23	56302304	1	Tank Cover
24	56742552	1	O-Ring - 114 NBR 70
25	56745860	1	Nut, Jam 5/8-18 Brass
26	56900036	1	Barb, 90 Elbow 3/8 x 1/4NPT
After SN1527435			
27	56302013	1	Solenoid Valve Assembly TSB 786
28	56302017	1	Hose, 4.5"
29	56219932	3	Clamp, Hose SAE #4
30	56900034	1	Barb, Adapter 3/8 x 1/4NPT
31	56302015	1	Hose, 4.0"
32	56002909	1	Scr, Pan Phil SS 6-32 x .38
33	56002850	2	Nut, Hex Nyl Loc-Thin SS 1/4-20
34	56002801	2	Scr, Hex Hd SS 1/4-20 x .50
35	56002964	1	Nut, Hex Nyl; Loc-Thin SS 6-32
36	56302009	1	Bracket, Cable

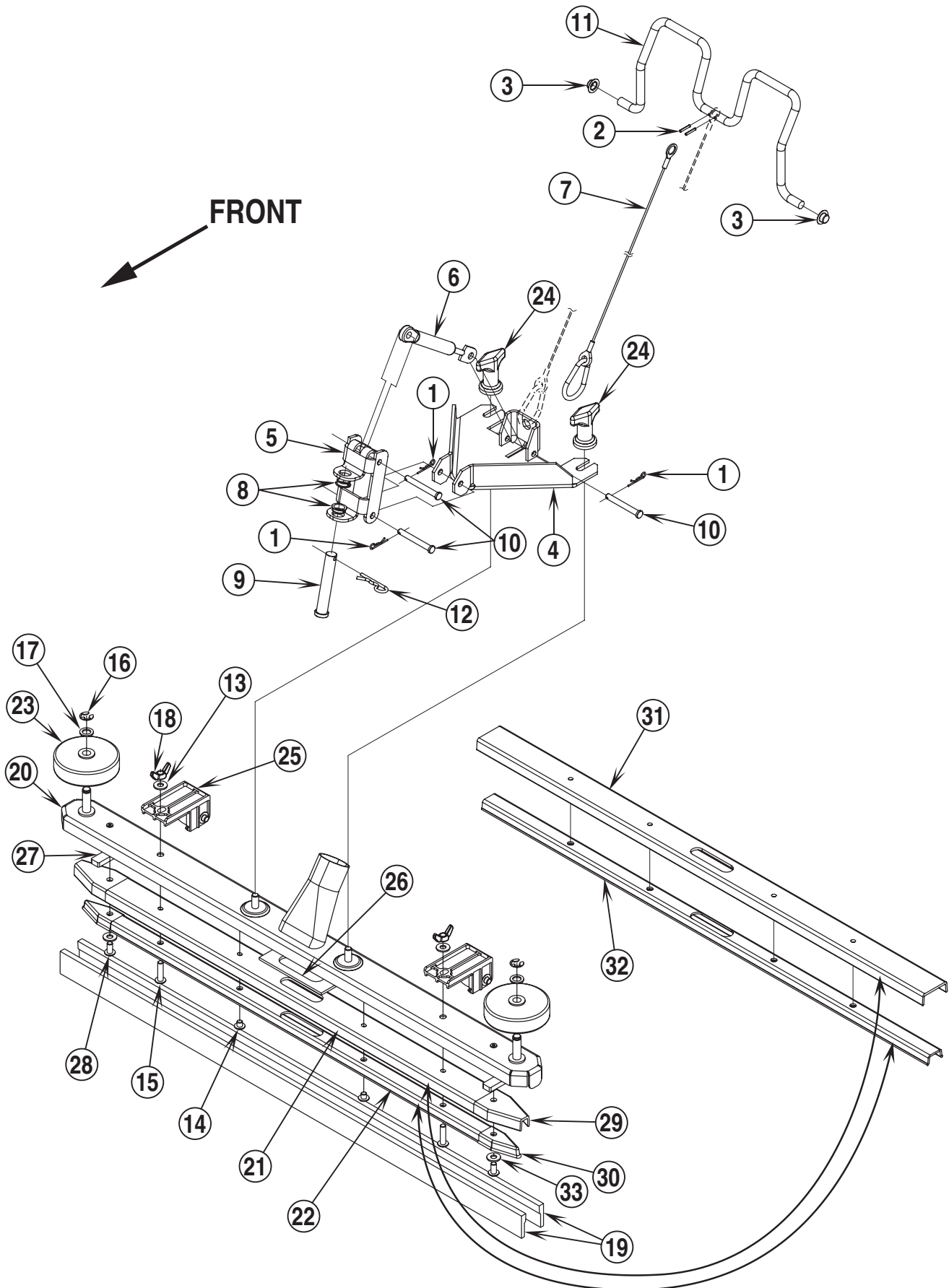
* = Not Shown



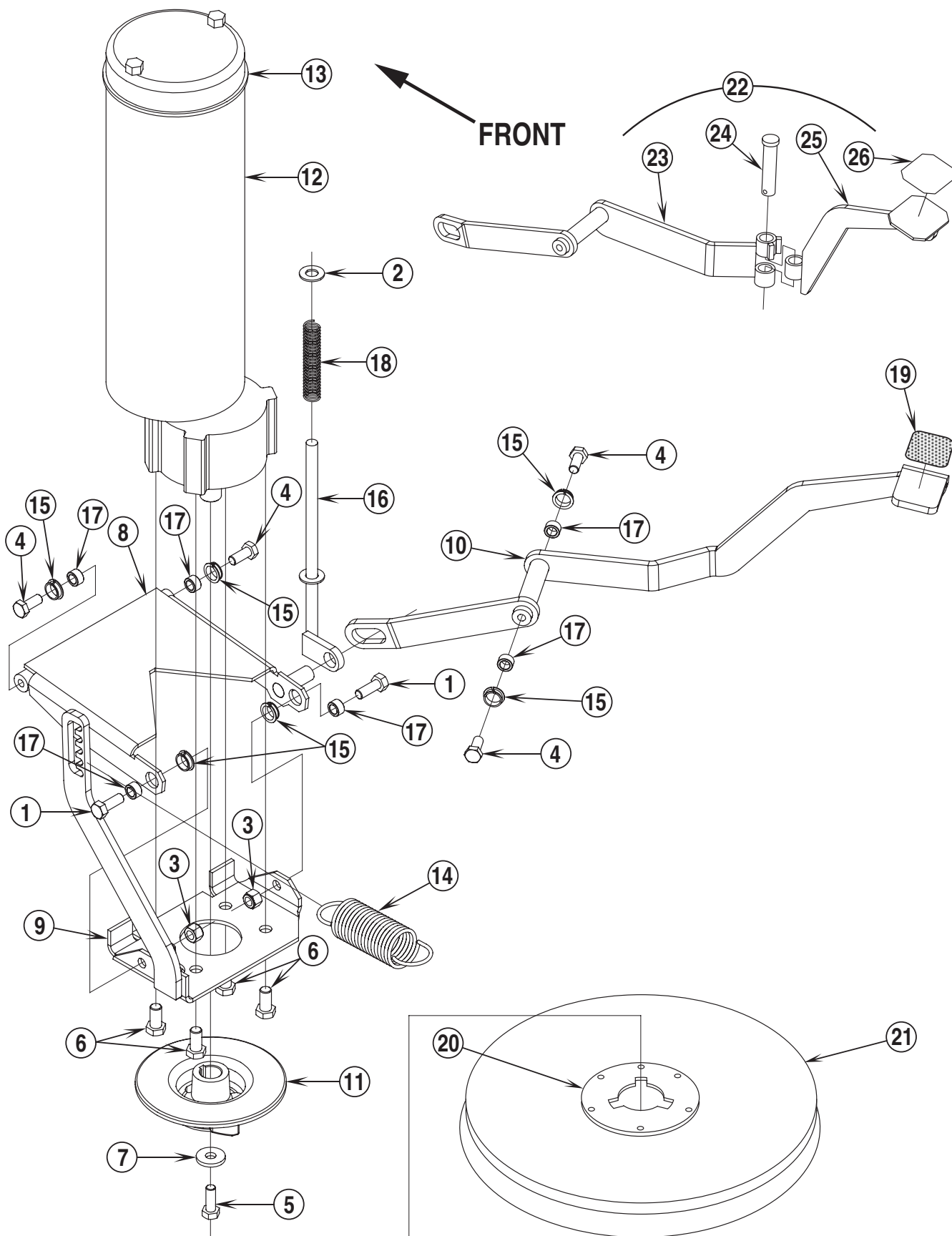
FRONT

Item	Ref. No.	Qty	Description
1	56002850	3	Nut, Hex Nyl Loc-Thin SS 1/4-20
2	56002859	8	Wsh, Flt SAE SS 1/4
3	56002901	4	Scr, Hex Hd SS 1/4-20 x 1.50
4	56003047	6	Scr, Hex Hd SS 1/4-20 x .62
5	56003125	2	Scr, Hex Thd to Hd SS 1/4-20 x 1.50
6	56131601	1	Clamp, Hose SAE #16
7	56209547	1	Clamp, One Ear, 1.75
8	56261266	1	Plug Tube
9	56209506	1	Drain Plug
10	56262574	1	Hose Assembly
11	56302141	1	Vacuum Motor Duct
12	56302142	1	Float Duct
13	56302165	1	Gasket
14	56302182	1	Gasket
15	56302302	1	Recovery Tank
16	66302214	1	Hinge
17	56302553	1	Gasket
18	66302233	1	Hose
19	66302242	1	Vacuum Motor Assembly
	56324491	1	Vacuum Motor
*	66302241	1	Filter, Capacitor
*	56462360	1	Conn. W.P. Male 2 Way
*	56459264	2	Terminal W.P. Male (for 56462360)
*	56459263	2	Seal W.P. (for 56462360)
*	56409688	2	Splice, Parallel
*	56900904	4"	Tubing, Heatshrink (10.16 cm)
*	56503003	1	Carbon Brush Set for Vac Motor
20	56324497	2	Float Cage
21	56329145	1	Clamp, Hose SAE #24
22	56391690	1	Ball, Float
23	56391807	1	Vac Exhaust Hose
24	56003145	4	Nut, Hex Jam 1/4-20
25	56477613	1	Tie, Cable
26	56486112	1	P-Clamp

* = Not Shown



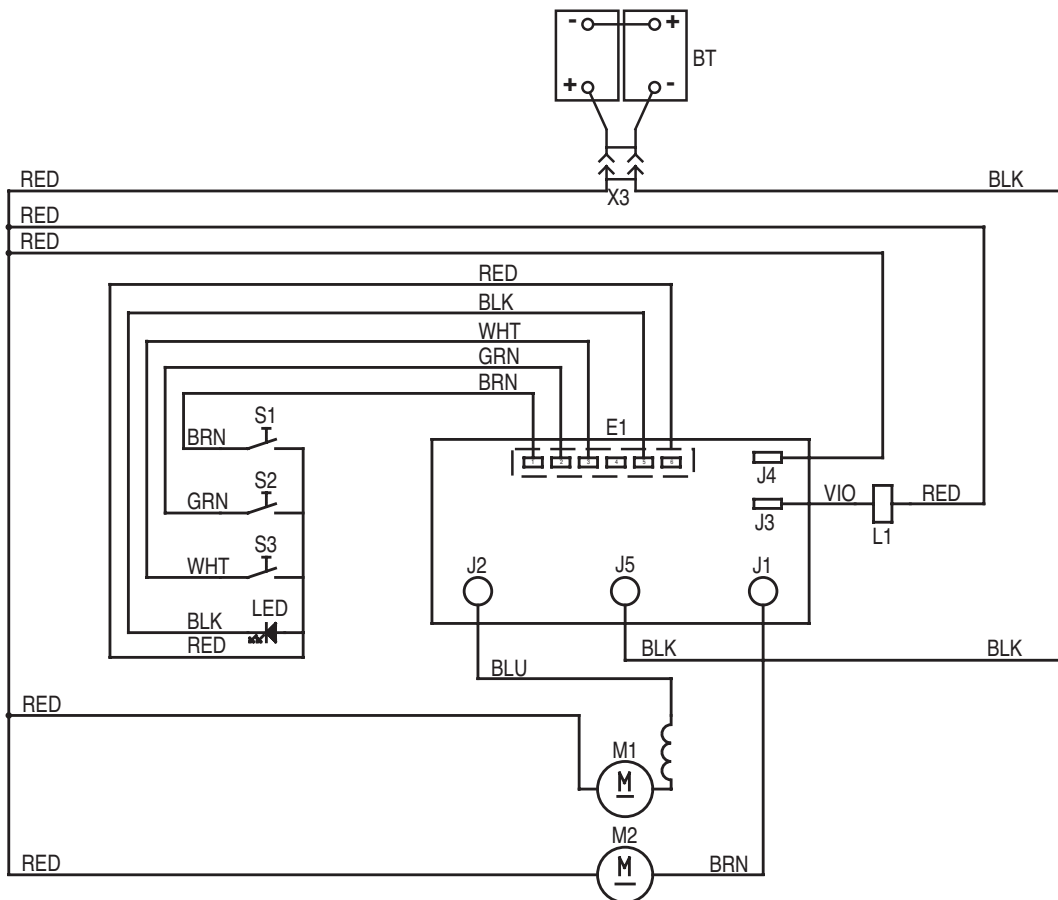
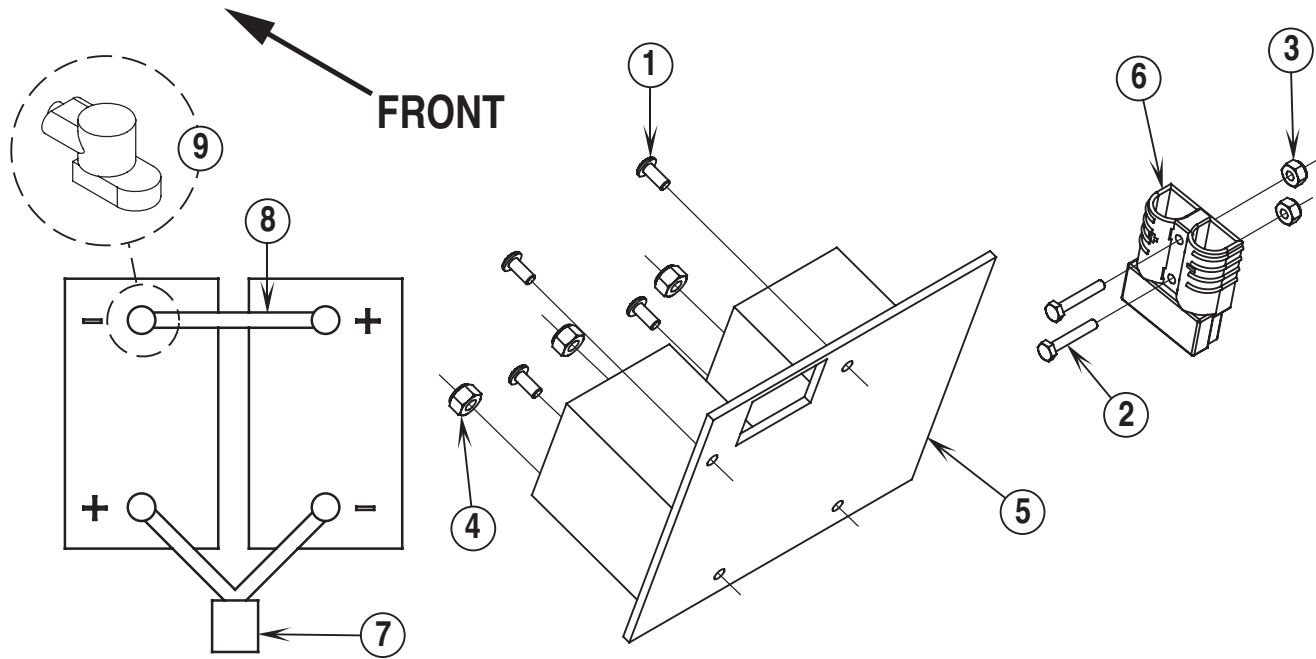
Item	Ref. No.	Qty	Description
1	56003332	3	Pin, Cotter Hair .04 x .18
2	56003391	2	Pin, Groove .09 x .62
3	56009123	2	Nut, Push Cap 3/8
4	56302127	1	Squeegee Mount
5	56302131	1	Pivot Bracket
6	56302153	1	Gas, Spring (cylinder)
7	56302162	1	Cable Assembly (squeegee lift)
8	56302164	2	Bearing, Flange
9	56003191	1	Clevis, Pin .50 x 3.00
10	56003192	3	Clevis, Pin .250 x 2.00
11	56302190	1	Handle (squeegee lift)
12	56003222	1	Pin, Cotter Hair
	56302145	1	Squeegee Assembly (#13-30)
13	56002098	2	Wsh, Flt SAE 1/4
14	56003037	2	Scr, Pan Phil SS 1/4-20 x .25
15	56003067	2	Scr, Pan Phil SS 1/4-20 x 1.00
16	56003269	2	Ring, Retainer
17	56009047	4	Wsh, Flt .39 x .62 x .06
18	56009048	2	Nut, Wing Loc 1/4-20
19	56105569	2	Blade, Molded
20	56302146	1	Squeegee Tool
21	56302323	1	Channel
22	56302324	1	Retainer
23	56324499	2	Wheel 3.00
24	56370711	2	Nut, Thumb
25	56387376	2	Roller Assembly
26	56400613	1	Gasket
27	56400614	2	Gasket
28	56003119	2	Scr, Pan Phil SS 1/4-20 x .50
29	56302316	2	Squeegee Housing
30	56302315	2	Squeegee Cartridge
31	56302180	1	Channel, Squeegee Blade (before February 2000)
32	56302181	1	Retainer, Squeegee Blade (before February 2000)
33	56002859	2	Wsh, Flt SAE SS 1/4
	56302197	A/R	Squeegee Blade Cartridge (for machines built before February 2000) (items 14, 15, 19, 26, 27, 31 & 32)
	56302326	A/R	Squeegee Cartridge Assembly (for machines built after January 2000) (items 14, 15, 18, 19, 21, 22, 28, 29, 30 & 33)



99-3	BRUSH DRIVE SYSTEM		
01-2	SelectScrub™ 17		13

Item	Ref. No.	Qty	Description
1	56002037	2	Scr, Hex Hd 5/16-18 x .88
2	56002063	1	Wsh, Flt SAE 3/8
3	56002701	2	Nut, Hex Nyl Loc 5/16-18
4	56002956	4	Scr, Hex Hd 5/16-18 x .75
5	56003335	1	Scr, Hex Loc SS 5/16-18 x .88
6	56003338	4	Scr, Hex Loc SS 3/8-16 x .75
7	56009122	1	Wsh, Flt .34 x .93 x .12
8	56302108	1	Linkage
9	56302112	1	Motor Mount
10	56302122	1	Lift Weldment (obsolete order item #22 to replace)
11	56302088	1	Drive Lug TSB 682
12	56302144	1	Brush Drive Motor
13	56302155	1	Gasket
14	56302160	1	Spring, Extension (spring hooks into second notch from bottom at both ends)
15	56302164	6	Bearing, Flange
16	56302172	1	Rod
17	56320595	6	Bushing
18	56452141	1	Spring
19	56302173	1	Grip Surface
20	56506006	1	Clutch Plate (Plastic / NP-92)
21	56505910	1	Short-Trim Pad Holder (optional)
**	56505918	1	MidLite Grit™ 180 Brush (old style)
**	56505917	1	Mid Grit™ 240 Brush (old style)
**	56505913	1	AgLite™ 500 Brush (old style)
**	56505914	1	Prolene Brush (old style)
**	56505915	1	ProLite™ Brush (old style)
**	56505916	1	Union Mix Brush (old style)
**	56505270	1	Level-Set Pad Holder (old style)
22	56302321	1	Pedal Assembly (includes items 23-26) (after January 2000)
23	56302325	1	Lower Pedal Weldment
24	56003620	1	Clevis Pin
25	56302314	1	Upper Pedal Weldment
26	56721255	1	Pad, Foot Pedal

** = Optional



Item	Ref. No.	Qty	Description
1	56009144	4	Scr, Pan Nylon Slot 8-32 x .38
2	56003395	2	Scr, Hex Hd 6-32 x .75
3	56002830	2	Nut, Hex Nyl Loc 6-32
4	56002873	3	Nut, Hex Nyl Loc 10-32
5	56302219	1	Controller Assembly
6	56324305	1	Machine Battery Connector Housing (part of Wiring Harness #56302237)
*	56302179	2	Replacement Contact for 56324305
7	56302174	1	Battery Charger Connector (w/cables)
*	56302166	2	Replacement Contact for 56302174
8	56302225	1	Battery Cable
9	56302194	4	Battery Terminal Cover
*	56302198	1	Optional Hour Meter Kit
*	56302196	1	Optional Battery Cart
*	56302237	1	Wiring Harness
*		1	Automatic Battery Charger 24V / 10A (not included)
BT		A/R	Battery, 24V (not included)
E1	56302219	1	Controller
LED	56302240	1	LED Indicator Assembly (low battery)
L1	56302226	1	Solenoid, Solution Valve (before SN1527435) TSB 786
	56302013	1	Solenoid, Solution Valve (after SN1527434) TSB 786
M1	56324489	1	Vacuum Motor
M2	56302144	1	Brush Motor
S1	56340199	1	Brush Switch
S2	56340199	1	Vacuum Switch
S3	56340199	1	Solution Switch
X3	56324305	1	Machine Battery Connector Housing (part of Wiring Harness #56302237)
*	56302179	2	Replacement Contact for 56324305



14600 21st Avenue North
Plymouth, MN 55447-3408
www.eurocleanusa.com
Phone: 800-334-1083
Fax: 866-261-4779

1151 Byrn Mawr Avenue
Itasca, IL 60143
www.eurocleanusa.com
Phone: 800-545-4372
Fax: 888-323-3822