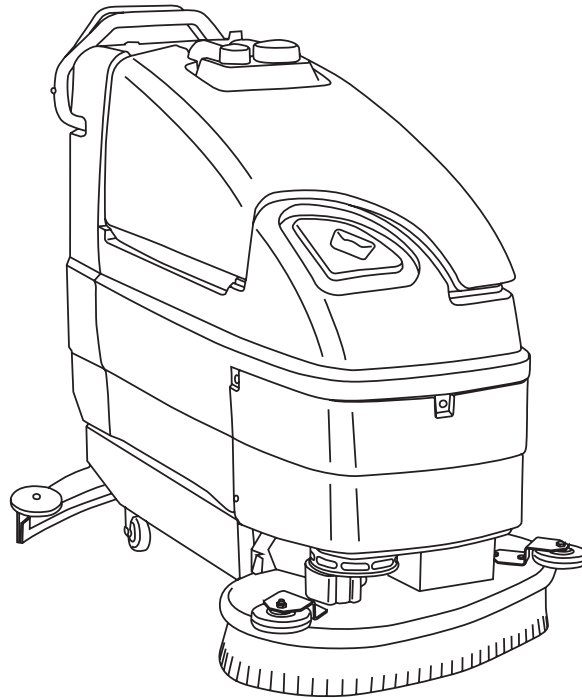


# SelectScrub™ 20/26

---



---

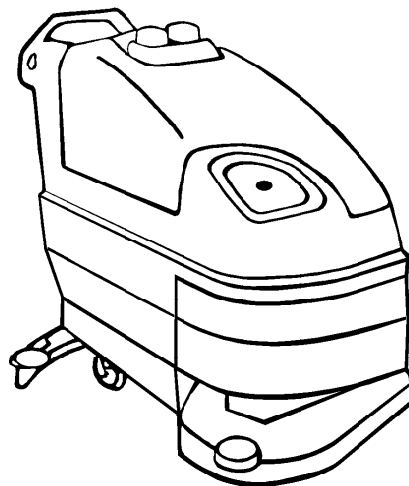
## **PARTS LIST**

**Kent/Euroclean MODELS 56637018, 56637019, 56637020**



**KENT**  
**Euroclean**

*Working For A Cleaner World*

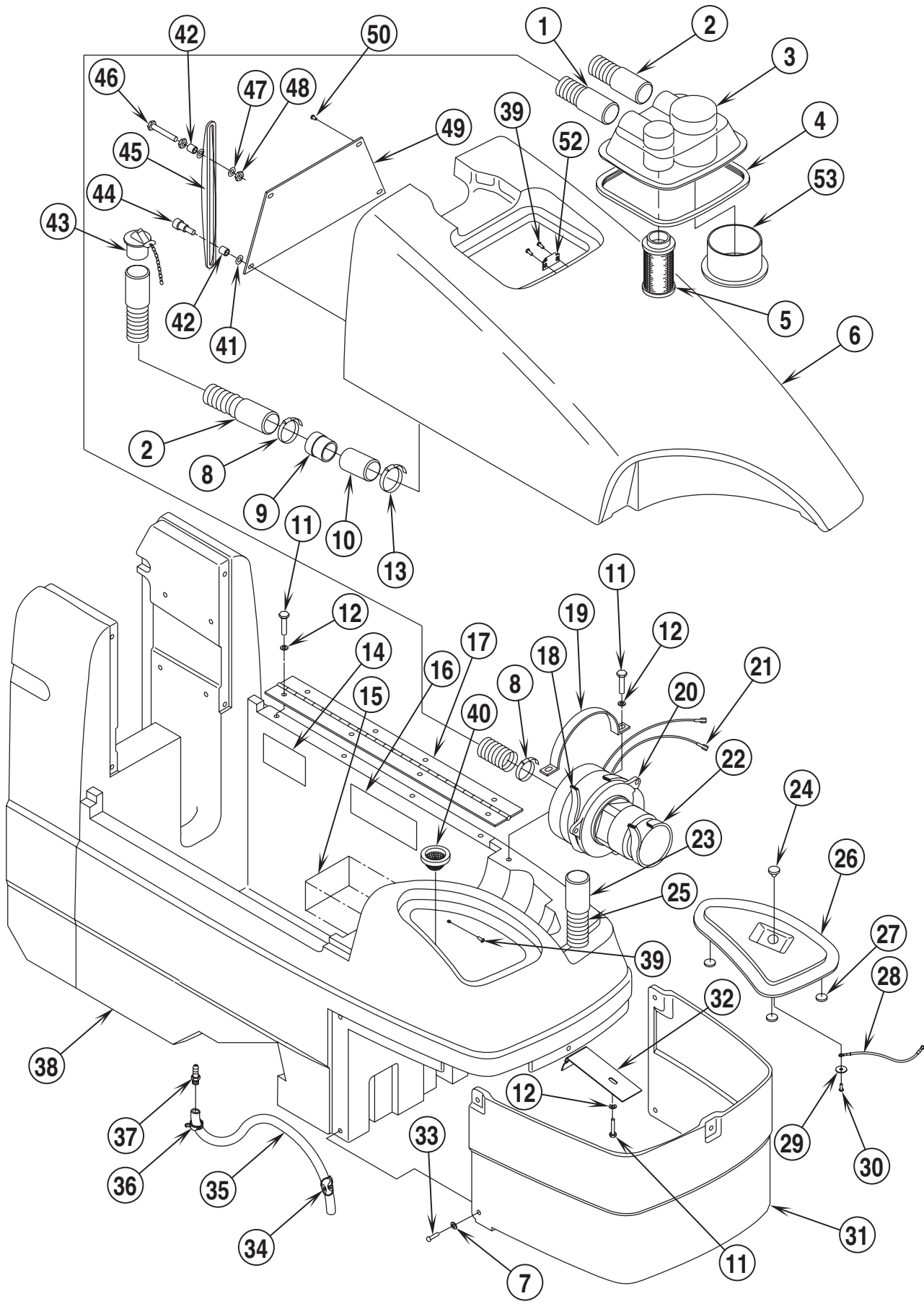


DESCRIPTION	PAGE
TANK ASSEMBLY .....	2-3
CONTROLS ASSEMBLY .....	4-5
CONTROL PANEL ASSEMBLY .....	6-7
CHASSIS ASSEMBLY .....	8-9
20" BRUSH HEAD ASSEMBLY .....	10-11
26" BRUSH HEAD ASSEMBLY .....	12-13
SQUEEGEE ASSEMBLY .....	14-15
ELECTRICAL PANEL ASSEMBLY .....	16-17
BRUSH ASSIST WIRING DIAGRAM .....	18
TRACTION DRIVE WIRING DIAGRAM .....	19
BATTERY WIRING .....	20
RECOMMENDED SPARE PARTS .....	21

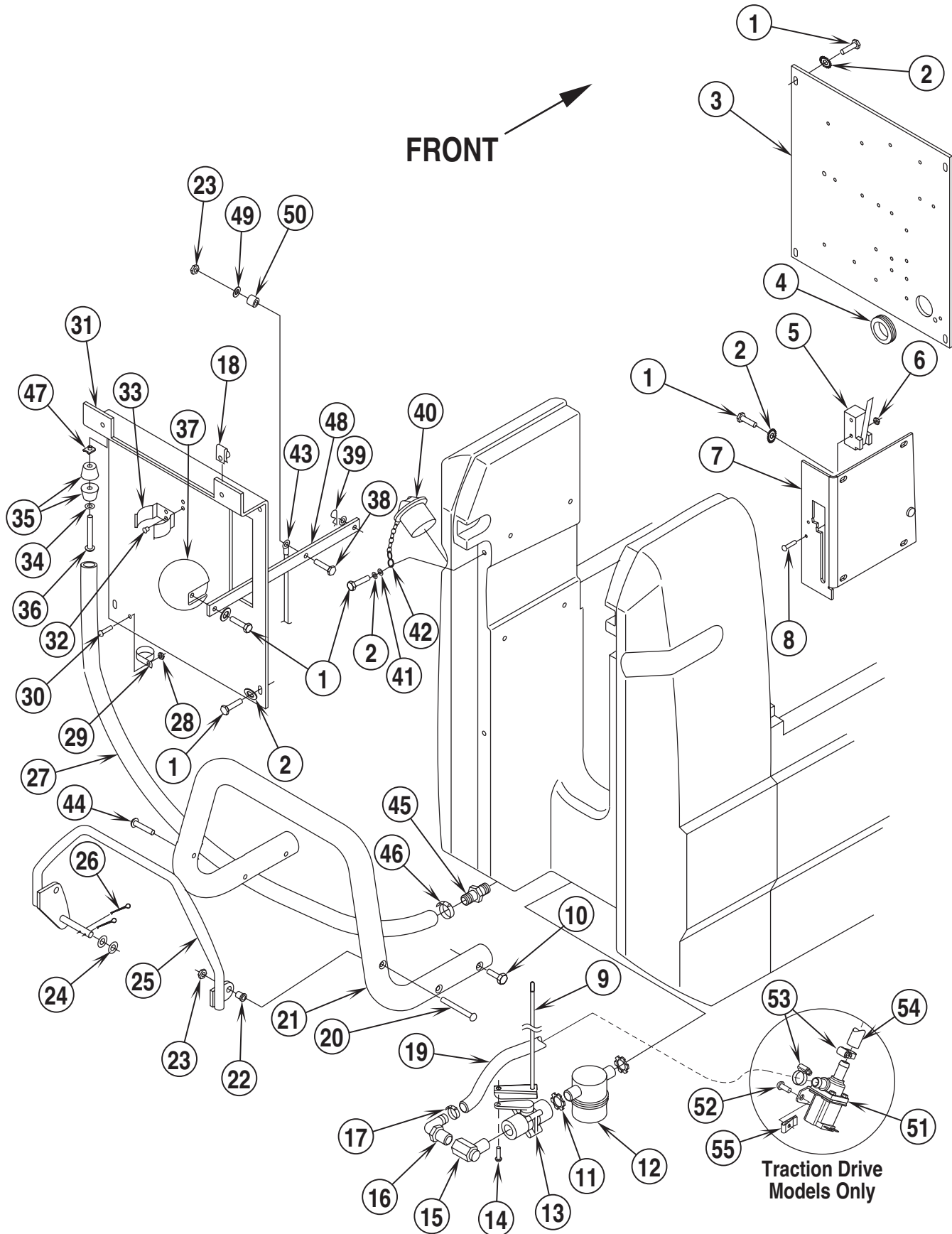
**WHEN ORDERING PARTS**

- \* Use the 8 digit numbers from the "Ref. No." columns in this parts list.
- \* Specify the model and serial number of the machine.
- \* Use the space below to record the model and serial number for future reference.

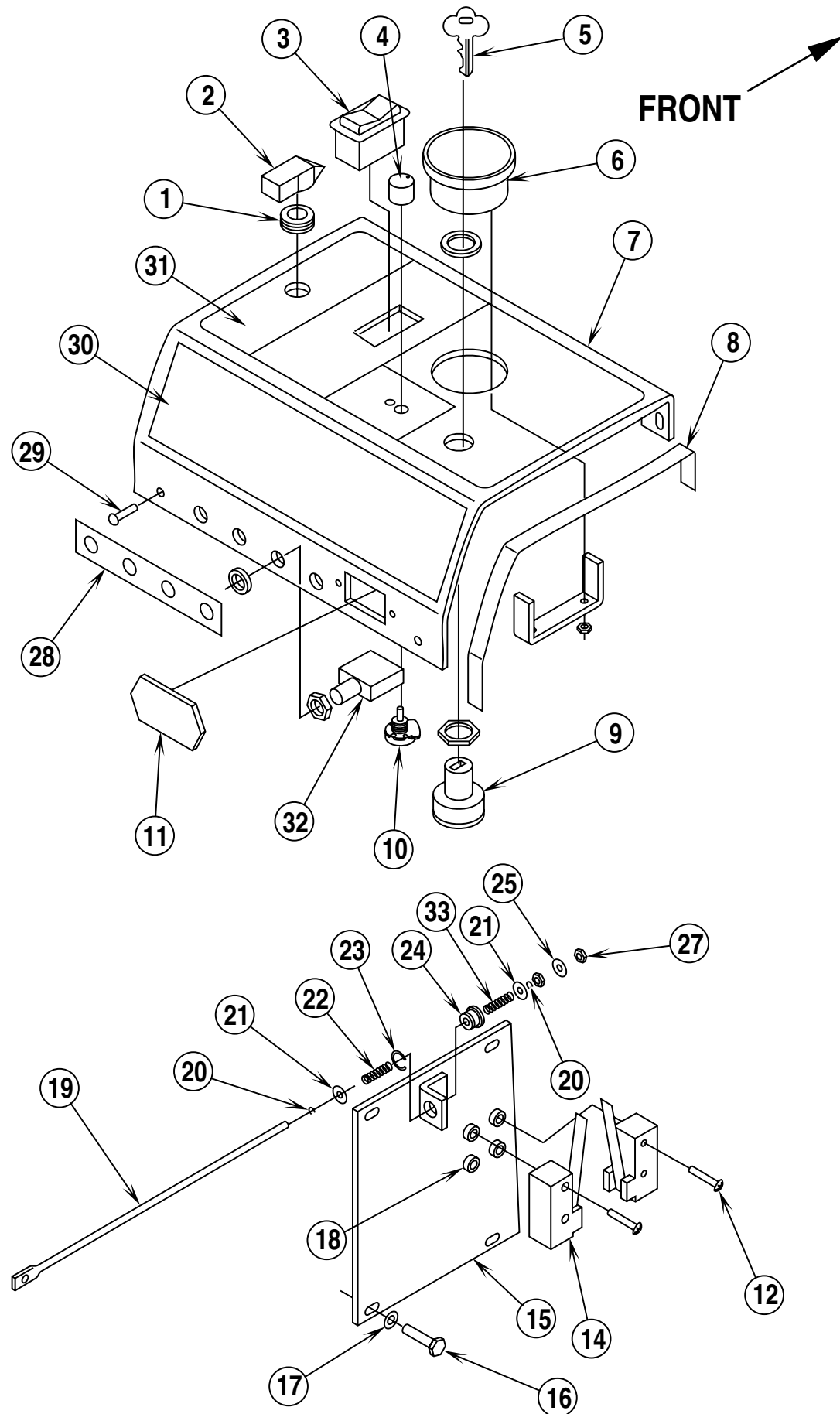
Model \_\_\_\_\_ Serial No. \_\_\_\_\_



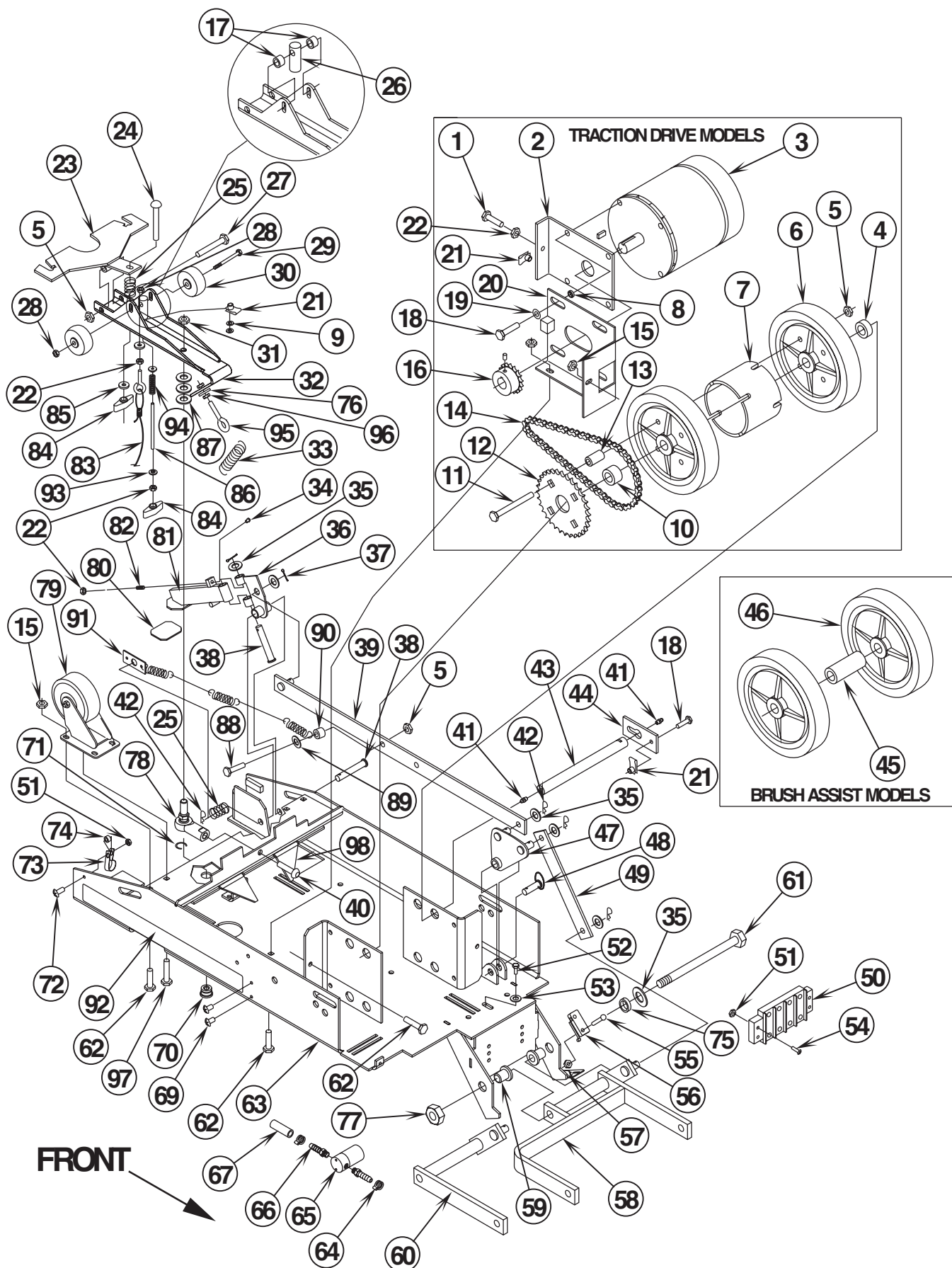
Item	Ref. No.	Qty	Description
1	56397254	1	Vac Hose 1.50" Assy.
2	56391697	2	48.00 Gray Vac Hose Asm
3	56056378	1	Cover,Rec Tank—Extr.Lid
4	56057890	1	Gasket—.375x.375x36.00l
5	56057689	1	Float,Ball—1.50 Dia W/Filter
6	56057808	1	Tank,Recovery—20/26,Machined
7	56009249	5	Washer, Flat .281id .75od .063thk
8	56131601	2	Clamp,Hose—1.75 Max Dia,Worm
9	56053894	1	Fitting—Reducer,1.66-1.50,Pls
10	56057106	1	Tube,PVC—Auto
11	56001836	7	Scr, Hex 1/4-20 x .62
12	56002098	7	Wsh, Flt SAE 1/4
13	56049999	1	Clamp,Hose—2.25 Max Dia,Worm
14	56645044	1	Label—Batt Wire,4 x 6V,SS20/26
15	56057838	1	Label—Warning,Charging Batts
16	56645045	1	Label—Batt Wire,2 x 12V,SS20/26
17	56056514	1	Hinge,Butt—Rs 056291,Black
18	56057866	1	Gasket—.375x1.00x18.00l
19	56645125	1	Bracket,U—Vac Motor,Black
20	56324491	1	Motor, Vac—24V
*	56503003	1	Carbon Brush Set for Vac Motor
21	56026240	2	Term,Qd—M,.25x.03,14-16,P,Str
22	56057867	1	Gasket—.375x1.00x 5.00l
23	56057916	1	Cuff,Hose— 3.00l
24	56048022	1	Knob, Thumb Scr—10-24,Int.
25	56057917	1	Hose,Vac—1.50dia,Blk,9.00l,Ex
26	56057828	1	Lid,Triangular—Solution Tank
27	56057859	3	Gasket,Foam—.750dia.,.125thk
28	56053793	1	Wire Rope—.062 Dia X 10.50l
29	56009060	1	Wsh, Flt SS .260 x 1.00 x .074
30	56002900	1	Scr, Pan Phil SS 10-24 x .50
31	56057809	1	Cover,Front—20/26,Machined
32	56057904	1	Bracket,Angle—16ga,Exh Hose
33	56002066	5	Scr Pan Phil 1/4-20 x .62
34	56057913	1	Clamp,Pinch—.500dia Max Tube
35	56057918	1	Tube,Vinyl—.375x.500,26.00l
36	56219932	1	Clamp,Hose—.625 Max Dia. Worm
37	56051207	1	Adptr,Pp-Hs—1/2mptx3/8hs,Pls
38	56057807	1	Tank,Solution—20/26,Machined
39	56009191	3	Scr, Pan Phil Plastite 10-14 x .50
40	56057901	1	Filter,Screen—2.00 Od,20 Mesh
41	56002859	1	Wsh, Flt SAE SS 1/4
42	56046309	2	Spacer,Phen—.250x.500, .500l
43	56376948	1	Plug,Expansion—1.50dia,W/Chai
44	56002617	1	Scr, Soc Shd .25 x .75 x 10-24
45	56057508	1	Bar,Stl—11ga,W/Slot,Plated
46	56002901	1	Scr, Hex SS 1/4-20 x 1.50
47	56009060	2	Wsh, Flt SS .260 x 1.00 x .074
48	56002491	2	Nut, Hex Nyl Loc SS 1/4-20
49	56057860	1	Panel,Stl—.065x5.92x10.51,Blk
50	56002043	3	Scr, Pan Phil 10-24 x .38
52	56057938	1	Clip,Lid—Recovery Tank,16 Ga
53	56057946	1	Fitting,Spinweld—3.50ID x 2.50l



Item	Ref. No.	Qty	Description
1	56001836	12	Scr, Hex 1/4-20 x .62
2	56002098	9	Wsh, Flt SAE 1/4
3	56057804	1	Panel, Stl—16ga,12.50 x 11.84blk
4	56900787	1	Grommet—.88ID,1.62OD
5	56026603	1	Switch, Lvr—SPDT,20A,125-250V
6	56002830	2	Nut, Hex Nyl Loc 6-32
7	56035603	1	Wdmt, Squeeze Lock—20/26, Black
8	56002858	2	Scr, Pan Phil 6-32 x 1.00
9	56397166	1	Flow Valve Weld't. ( <b>Before June 2000</b> )
	56397320	1	Flow Valve Weld't. ( <b>After May 2000</b> )
10	56001833	4	Scr, Hex 1/4-20 x 1.50
11	56009095	2	Nut, Conduit Lock 1/2-14
12	56053133	1	Filter, Water—In-Line Strainer
13	56057830	1	Valve, Ball—1/2FPT x 1/2FPT, PVC
14	56002145	1	Scr, Pan Phil 1/4-20 x .50
15	56055071	1	Elbow, Street—1/2MPT x 1/2FPT
16	56056231	1	Elbow, Plstc—1/2 MPT x 1/2hs
17	56219932	1	Clamp, Hose—.875 Max Dia, Worm
19	56056234	1	Vinyl Tube - .50 ID x .75 OD x 43"L (Brush Assist Model)
	56048819	1	Vinyl Tube - .50 x .75 x 18"l (Traction Drive Models)
20	56002997	1	Scr, Pan Phil 1/4-20 x 1.75
21	56397154	1	Handle, Fixed
22	56027224	2	Brg, Flange—.250id x .375od x .37w
23	56002491	3	Nut, Hex Nyl Loc SS 1/4-20
24	56009214	2	Wsh, Flt .406 x .750 x .090
25	56639713	1	Wdmt, Squeeze Bar—20/26, Black
26	56002038	2	Pin, Cotter—.09 x 1.00
27	56057919	1	Tube, Vinyl—.750 x 1.00,33.50l
28	56002768	1	Nut, Hex Nyl Loc 10-24
29	56056903	1	Clamp, Loop—.500 Closed Id,Nyl
30	56001993	1	Scr, Pan Phil 10-24 x .50
31	56057840	1	Panel, Stl—Back, Black
32	56003515	2	Rivet, Open End .125 x .13/.19
33	56057843	1	Clip, Spring—1.75 Dia, Black
34	56009267	1	Wsh, Flt .202 x .562 x .040
35	56057903	2	Stopper, Rubber—.781 Dia
36	56003517	1	Scr, Pan Phil 10-32 x 2.25
37	56057391	1	Handle, Ball—Alum, 2.125 Dia
38	56001821	1	Scr, Hex 1/4-20 x .88
39	56002959	1	Pin, Cot Hair SS .125 x .50/.75
40	56376948	1	Plug, Expansion—1.50dia,W/Chai
41	56009025	1	Wsh, Flt .266 x .750 x .036
42	56051836	1	Hook, 8—.105 Wire, .312 Eyes
43	56397009	1	Wire Rope <b>TSB 810</b>
44	56002108	1	Scr, Pan Phil 1/4-20 x 2.00
45	56057868	1	Adapter, Pp-Hs—1/2MPT x 3/4hs,Pls
46	56049932	1	Clamp, Hose—1.00 Max Dia, Worm
47	56263110	1	Nut, Clamp 10-32
48	56645079	1	Bar, Squeeze Lift—Black
49	56009060	1	Wsh, Flt SS .260 x 1.00 x .074
50	56054335	1	Spacer, Stl—.257id x .437od x .19l
*	56009289	2	Nut, Retainer 1/4-20
Items 51-55 Are Found Only On Traction Drive Models			
51	56057928	1	Valve, Solenoid- -24V
52	56002066	2	Scr, Pan Phil 1/4-20 x .62
53	56219932	2	Clamp, Hose SAE 6
54	56393895	1	Vinyl Tube, .50 Id x .75 Od x 24 (26" Model)
	56459064	1	Vinyl Tube, .50 Id x .75 Od x 21 (20" Model)
55	56009289	2	Nut, Retainer 1/4-20



Item	Ref. No.	Qty	Description
1	56467171	1	Grom— .38id, .562mhd, .062pa
2	56057831	1	Knob (Before June 2000)
	56396201	1	Knob (After May 2000)
3	56026129	1	Switch, Rkr— Dpst, Off/On/(On)
4	56056596	1	Knob, Plastic— Black, .92dia x .95
5	56057243	1	Key, Automatics— For P/N 441538
6	56026135	1	Voltmeter— 18-30 Vdc, Round
7	56057835	1	Panel, Stl— Instrument, Painted
8	56057310	2	Gasket— .125 x .500, 12.75l
9	56441538	1	Starter-Switch-Locking
10	56026243	1	Potentiometer Assembly
11	56721255	1	Pad, Foot Pedal
12	56002858	2	Scr, Pan Phil 6-32 x 1.00
14	56026603	1	Switch, Lvr— Spdt, 20a, 125-250V (Qty of 2 on Traction Drive Models)
15	56035599	1	Wdmt, Switch Bracket— 20/26, Blk
16	56001836	4	Scr, Hex 1/4-20 x .62
17	56002098	4	Wsh, Flt SAE 1/4
18	56046425	2	Spacer, Phen— .250 x .437, .250l
19	56057829	1	Rd, Stl— Centering, Plated
20	56630866	2	Ring, Rtng— Ext, .312 Shaft, 5304
21	56009122	2	Wsh, Flt .344 x .938 x .125
22	56056961	1	Spring, Comp .48od 2.25l .045wd
23	56054136	1	Ring, Rtng— Ext, .75shaft, .062
24	56648057	1	Bushing, Guide— .875dia, 0.53l TSB 772
25	56358959	1	Wsh, Flt .34 x 1.25 x .18
27	56009099	2	Nut, Hex Jam 5/8-18
28	56057871	1	Label— Circuit Breaker, 20/26
29	56002145	2	Scr, Pan Phil 1/4-20 x .50
30	56057836	1	Label— Warning, Automatics
31	56057839	1	Label— Instr Panel, 20/26, W/Tra
*	56057896	1	Label— Instr Panel, 20/26, W/O T
32	56026198	1	Circuit Breaker — 30amp, Vac Motor (All Models)
*	56364294	1	Circuit Breaker, Brush Motor (20" Models Only)
*	56026198	2	Circuit Breaker — 30amp, Brush Motor (26" Model Only)
*	56026198	1	Circuit Breaker — 30amp, Drive Motor (Traction Drive Models Only)
33	56048979	1	Spring, Comp.



Item	Ref. No.	Qty	Description	Item	Ref. No.	Qty	Description
1	56001833	1	Scr, Hex 1/4-20 x 1.50	50	56026111	1	Terminal Block—4 Term,50 Amp
2	56057833	1	Bracket, Tension—Trac Drv, Blk	51	56002768	3	Nut, Hex Nyl Loc 10-24
3	56026191	1	Motor, Dc—24V,.50hp,320rpm	52	56001836	3	Scr, Hex 1/4-20 x .62
4	56057886	1	Spacer, Nyl—.780x1.25x .500l	53	56002098	3	Wsh, Flt SAE 1/4
5	56002769	1	Nut, Hex Nyl Loc 3/8-16	54	56002674	2	Scr, Pan Phil 10-24 x 1.00
6	56057863	2	Wheel—Rs 057853 W/4 Holes	55	56002858	2	Scr, Pan Phil 6-32 x 1.00
7	56057834	1	Spacer, Drive Wheel—PVC	56	56026886	1	Switch, Push—Spdt,20A,125-250V
8	56100856	3	Spacer, .282 x .500 x .368l	57	56002830	2	Nut, Hex Nyl Loc 6-32
9	56002063	2	Wsh, Flt SAE 3/8	58	56035588	1	Wdmt, Brush Lift—20in Auto, Blk
10	56057885	1	Spacer, Nyl—.780x1.25x .777l	59	56027131	2	Brg, Flange—.500id.750od.500w
11	56003518	4	Scr, Carriage 3/8-16 x 6.00	60	56035587	1	Wdmt, Brush Lift—26in Auto.Blk
12	56057862	1	Sprocket—#40,32t,W/4 Holes	61	56003159	1	Scr, Hex 1/2-13 x 8.50
13	56051646	4	Spacer, Stl—.375x.750, .750l	62	56003521	7	Scr, Carriage 5/16-18 x .75
14	56057865	1	Chain, Roller—#40, 55lk & Conn	63	56035586	1	Wdmt, Frame—20/26 Autos, Black
15	56002701	3	Nut, Hex Nyl Loc 5/16-18	64	56219932	2	Clamp, Hose—.875 Max Dia, Worm
16	56741122	1	Sprocket, Chain—#40,.50p,11t,.75b	65	56027145	1	Valve, Solenoid—24V
17	56052225	2	Spacer, Phen—.250 x .500, .562l	66	56443972	2	Adapter, Barb Male
18	56002948	5	Scr, Hex Loc 1/4-20 x .75	67	56048819	1	Tube, Vinyl—.500x.750,18.00l
19	56009060	3	Wsh, Flt SS .260 x 1.00 x .074	69	56003511	2	Scr, Flt Phil Loc 10-32 x .50
20	56035602	1	Wdmt, Bracket—Drv,20/26,Black	70	56057764	1	Bushing, Guide—.875dia,0.53l
21	56009289	3	Nut, Retainer 1/4-20	71	56054136	1	Ring, Retaining—Ext,.75shaft,.062
22	56009087	3	Nut, Hex Jam 1/4-20	72	56002192	1	Scr, Pan Phil 10-24 x .75
23	56035596	1	Wdmt, Squeegee Brkt—20/26,Black	73	56046642	1	Clamp, Loop—.875dia,Vinyl Coat
24	56009276	1	Scr, Carriage 1/4-20 x 2.50	74	56046425	1	Spacer, Phen—.250 x .437, .250l
25	56056519	2	Spring, Comp .845d 1.50l .100wd	75	56054581	1	Spacer, Stl—.760 x 1.00, .250l,D
26	56057914	1	Spacer, Alum—.250 x .500,W/Hole	76	56009011	1	Wsh, Int Shprf #10
27	56002204	1	Scr, Hex 3/8-16 x 3.00	77	56002770	1	Nut, Hex Nyl Loc 1/213
28	56002491	2	Nut, Hex Nyl Loc SS 1/4-20	78	56397385	1	Rod End <b>TSBUS2003-840</b>
29	56002761	1	Scr, Hex 1/4-20 x 4.50	79	56057820	2	Caster—3.50 Dia, Plate Style
30	56053689	2	Wheel, 2.00dia,.25bore,.984hb	80	56721255	1	Pad, Foot Pedal
31	56002951	1	Nut, Hex Nyl Loc 3/8-24	81	56035594	1	Wdmt, Foot Pedal—Brush Lift
32	56648078	1	Bar, Squeegee—20/26 Auto, Black	82	56003522	1	Scr, Soc Set Loc 1/4-20 x 1.00
33	56397348	1	Spring, Ext	83	56397009	1	Wire Rope <b>TSB 810</b>
34	56057842	1	Plug, Button—.437 Mtg Hole, Blk	84	56057883	2	Knob, Wing—.250-20,Black,Nylon
35	56001879	9	Wsh, Flt SAE 1/2	85	56009025	2	Wsh, Flt .266 x .750 x .036
36	56035590	1	Wdmt, Pivot—Foot Pedal, Black	86	56057945	1	Stud—1/4-20 x 4.00l
37	56002529	2	Pin, Cotter .12 x 1.00	87	56002063	3	Wsh, Flt SAE 3/8 <b>TSBUS2003-840</b>
38	56003519	2	Pin, Clevis—.500dia,3.50 Long	88	56002095	1	Scr, Hex 3/8-16 x 1.50
39	56035595	1	Wdmt, Lift Bar—25.75l,Black	89	56009214	1	Wsh, Flt .406 x .750 x .090
40	56002597	1	Scr, Hex 3/8-24 x .75	90	56049343	1	Spacer, Stl—.375 x .500, .437l,Z
41	56369128	2	Zerk, Grease—.250-28 Thread	91	56057944	1	Plate, SS—2.25 x 1.00
42	56002959	4	Pin, Cot Hair SS .125 x .50/.75	92	56057898	2	Label—Selectscrub 20,1.5x16.5
43	56057760	1	Rd, Stl—.750dia,8.50l,Plated	93	56009282	2	Wshr Shldr .250 x .625 x .139
44	56057763	1	Bar, Stl—7 Ga,1.50 x 3.38,Blk	94	56056483	1	Spring, Comp .540d 1.50l .054wd
45	56057851	1	Spacer, Nyl—.780x1.25x3.21l	95	56009202	1	Eye Bolt .31 x 1.38
46	56057853	2	Wheel—8.00dia,.750bore,1.81hb	96	56002832	2	Nut Hex Nyl Loc-Thin 10-24
47	56035589	1	Wdmt, Linkage—Triangular, Black	97	56009208	4	Scr, Carriage Loc 5/16-18 x 1.00
48	56003520	1	Pin, Hitch Cotterless .50 x 1.50	98	56648077	1	Bracket, Squeegee Stop
49	56057771	1	Bar, Stl—.375 x 1.25 x 8.44l,Blk	99	56002093	3	Scr, Hex 1/4-20 x 1.00

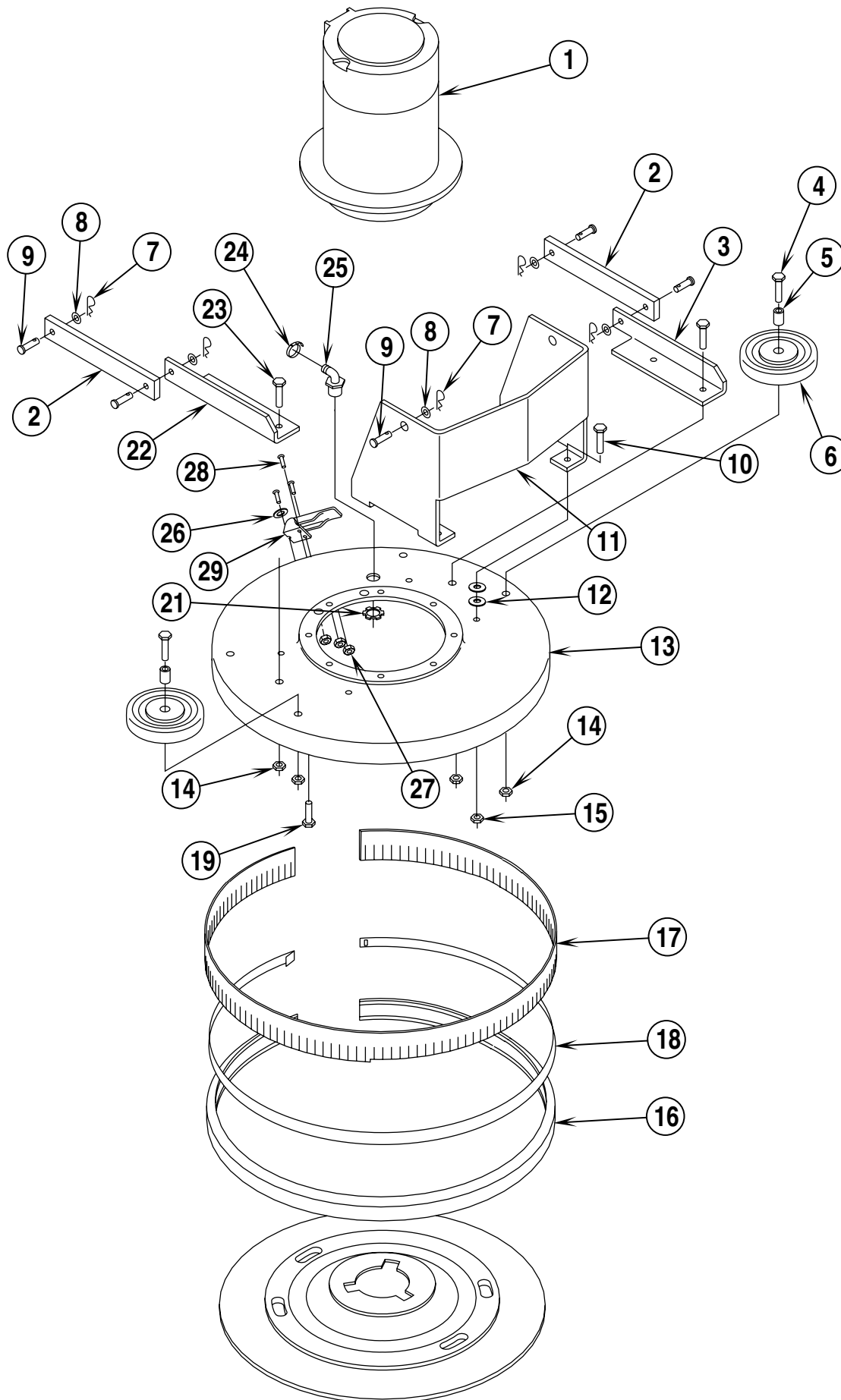
# 20" BRUSH HEAD ASSEMBLY

99-4

10

## SelectScrub™ 20 / 26

99-12



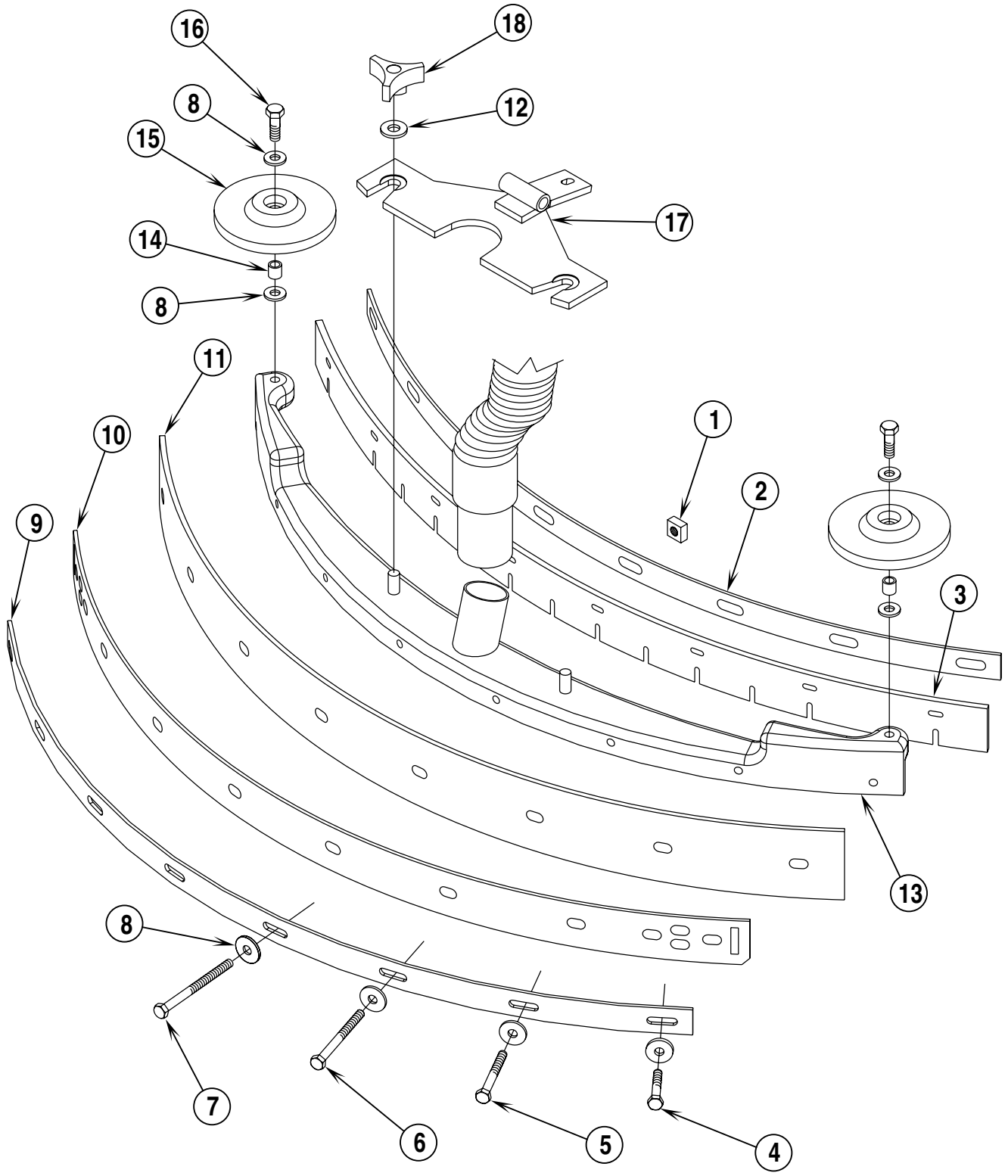
Item	Ref. No.	Qty	Description
1	56026242	1	Motor, Grc—24Vdc,1.0hp,11:1
2	56056254	2	Bar, Stl—.375 x 1.25, 9.00l
3	56057761	1	Bracket, Angle—Br Hd, Left, Blk
4	56002684	2	Scr, Hex 3/8-16 x 1.75
5	56054018	2	Spacer, Stl—.385 x .500 x 1.187l
6	56111639	2	Wheel—4.00dia,.505bore,1.12hb
7	56002959	6	Pin, Cot Hair SS .125 x .50/.75
8	56001879	6	Wsh, Flt SAE 1/2
9	56003523	6	Pin, Clevis .50 x 1.00
10	56001834	4	Scr, Hex 5/16-18 x 1.25
11	56057743	1	Bracket, U—Brush Head, 20in, Blk
12	56009122	12	Wsh, Flt .344 x .938 x .125
13	56645190	1	Cover, Brush—20"Auto,Stl,Black
14	56002769	2	Nut, Hex Nyl Loc 3/8-16
15	56002701	4	Nut, Hex Nyl Loc 5/16-18
16	56645144	1	Extrusion, Bumper—Black, 56.50l
17	56057915	1	Guard, Splash—20in Auto, Slit
18	56035617	1	Wdmt, Strap—Clamp, Splash Guard
19	56002956	4	Scr, Hex Loc 5/16-18 x .75
21	56009095	1	Nut, Conduit Lock 1/2-14
22	56057762	1	Bracket, Angle—Br Hd, Right, Blk
23	56002271	4	Scr, Hex 3/8-16 x .88
24	56219932	1	Clamp, Hose—.875 Max Dia, Worm
25	56056231	1	Elbow, Plstc—1/2 MPT x 1/2hs
26	56009025	1	Wsh, Flt .266 x .750 x .036
27	56002808	3	Nut, Hex Nyl Loc 8-32
28	56001818	3	Scr, Pan Phil 8-32 x .38
29	56057864	1	Latch, Draw—Adj, Steel, Heavy
**	56020407	1	Polypropylene Brush
**	56020408	1	Grit Brush
**	56020420	1	Pad Holder

\*\* = Optional



Item	Ref. No.	Qty	Description
1	56003521	4	Scr, Carriage 5/16-18 x .75
2	56057845	1	Bracket, Stl—Brush Lift, 26, Blk
3	56002948	4	Scr, Hex Loc 1/4-20 x .75
4	56002769	2	Nut, Hex Nyl Loc 3/8-16
5	56057850	2	Plate, Stl—11ga,3.00 x 7.02l,Blk
6	56054018	2	Spacer, Stl—.385 x .500 x 1.187l
7	56111639	2	Wheel—4.00dia.,505bore,1.12hb
8	56057873	2	Plate, Stl—7ga,3.00 x 5.87l,Blk
9	56003524	2	Scr, Flt Soc 3/8-16 x 2.00
10	56039640	1	Wdmt, Brush Hd—26 Auto, Stl, Blk
11	56002491	4	Nut, Hex Nyl Loc SS 1/4-20
12	56002701	4	Nut, Hex Nyl Loc 5/16-18
13	56057844	1	Guard, Splash—26" Auto, Slit
15	56645143	1	Extrusion, Bumper—Black, 48.50l
16	56002947	8	Scr, Hex Loc 3/8-16 x 1.00
17	56645119	1	Strap, Clamping—Splash Grd, Gal
18	56057869	2	Tube, Vinyl—.500 x .750, 5.38l
19	56262549	1	Tee, Hose—1/2 x 1/2 x 1/2,Plstc
20	56003525	2	Ring, Ret Int Type Ho
21	56009283	2	Wsh, Flt 1.75 x 2.34 x .078
22	56056464	2	Tube, SS—1.50od,16ga,1.937l
23	56056445	2	Shaft, Drive—Brush, Autos
24	56002836	12	Nut, Hex Nyl Loc SS 10-24
25	56056446	1	Hub, Drive—Brush, Autos, Left
26	56057160	1	Plate, SS—Brush Mtg Ring, Left
27	56003630	4	Scr, Flt Phil SS 10-24 x .88
28	56002907	6	Nut, Hex Nyl Loc SS 6-32
29	56057046	2	Clip, Retaining—Brush Lug, 27
30	56003026	4	Scr, Pan Phil SS 6-32 x .50
32	56002201	2	Scr, Soc Hd 5/16-18 x 1.50
33	56035367	1	Asm, Drive Hub—Auto,20ga,Clp,L
34	56035366	1	Asm, Drive Hub—Auto,20ga Clp,R
35	56057159	1	Plate, SS—Brush Mtg Ring, Right
36	56056447	1	Hub, Drive—Brush, Autos, Right
37	56057771	2	Bar, Stl—.375 x 1.25 x 8.44l,Blk
38	56057864	1	Latch, Draw—Adj, Steel, Heavy
39	56001904	2	Scr, Pan Phil 6-32 x .38
40	56003526	2	Key, Square—.250 Sq,1.437 Long
41	56027153	2	Asm, Motor & Gear Unit—24V
42	56039276	4	Brush, Mtr—For 024372&027153
43	56478246	5	Cable, Tie—6.0l,Nylon
**	56637273	2	Polypropylene Brush
**	56637274	2	Grit Brush
**	56020425	2	Pad Holder

\*\* = Optional

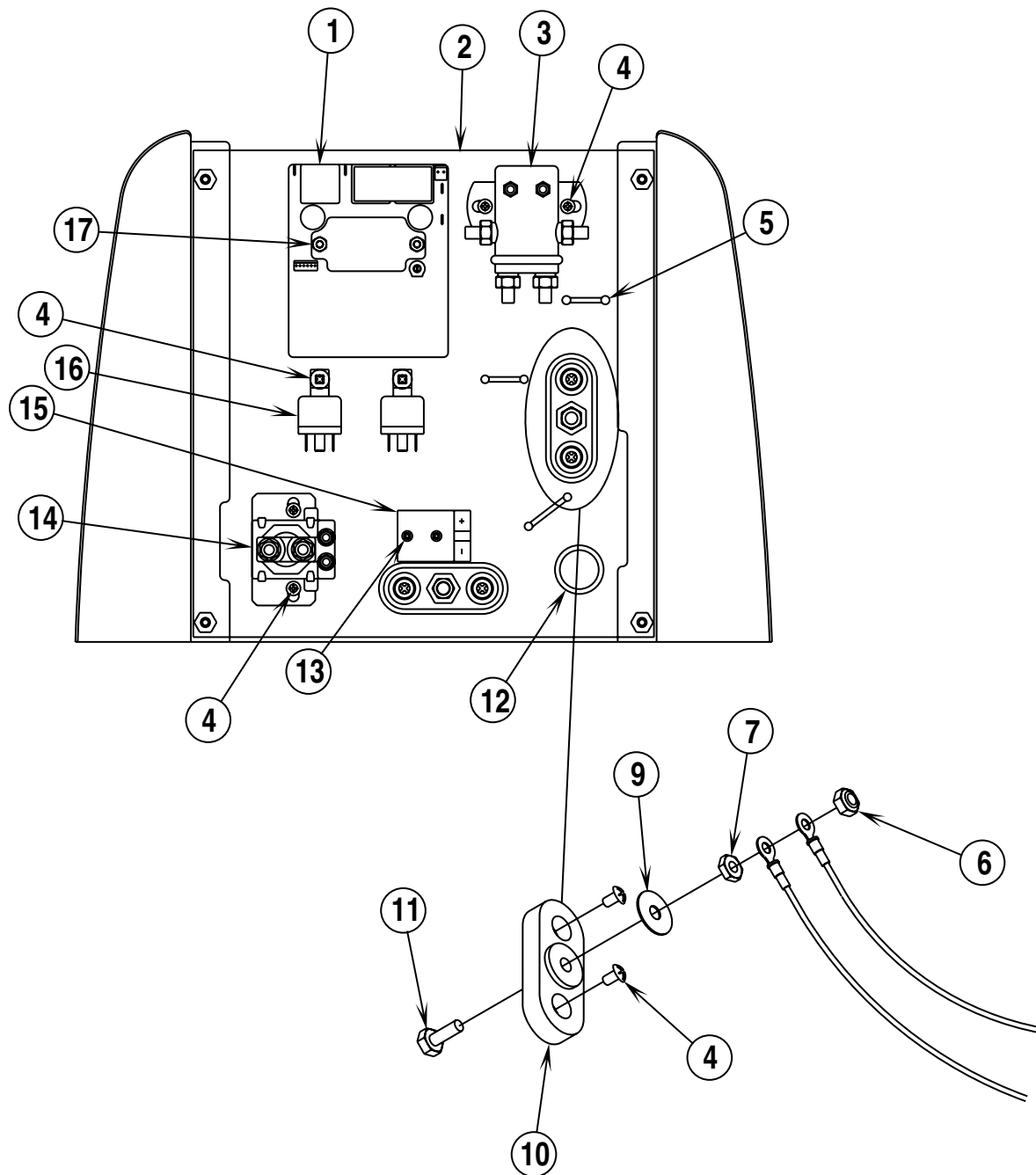


**20" MACHINE**

Item	Ref. No.	Qty	Description
1	56009280	8	Nut, Retainer 1/4-20
2	56054796	1	Bar,Stl—.125 x 1.00,26.15l,Fron
3	56054793	1	Rubber,Squeegee-Front,20 Auto
4	56001833	2	Scr, Hex 1/4-20 x 1.50
5	56001855	2	Scr, Hex 1/4-20 x 2.50
6	56002603	2	Scr, Hex 1/4-20 x 3.00
7	56002689	2	Scr, Hex 1/4-20 x 3.50
8	56001939	12	Wsh, Flt Sae 5/16
9	56054797	1	Bar,Stl—.125 x 1.00,28.41l,Rear
10	56054795	1	Rubber,Squeegee-Backup,20 Aut
11	56054794	1	Rubber,Squeegee-Rear,20 Auto
12	56002063	2	Wsh, Flt Sae 3/8
13	56054790	1	Casting,Squeegee-20 Auto
14	56053699	2	Spacer,Stl—.312 x .437, .43l
15	56053720	2	Wheel-4.00dia,.438bore,.688hb
16	56003073	2	Scr, Hex Loc 5/16-18 x 1.00
17	56035596	1	Wdmt,Squeege Brkt-20/26,Black
18	56057935	2	Knob,3-Lobe-.38-16 Int.Thd

**26" MACHINE**

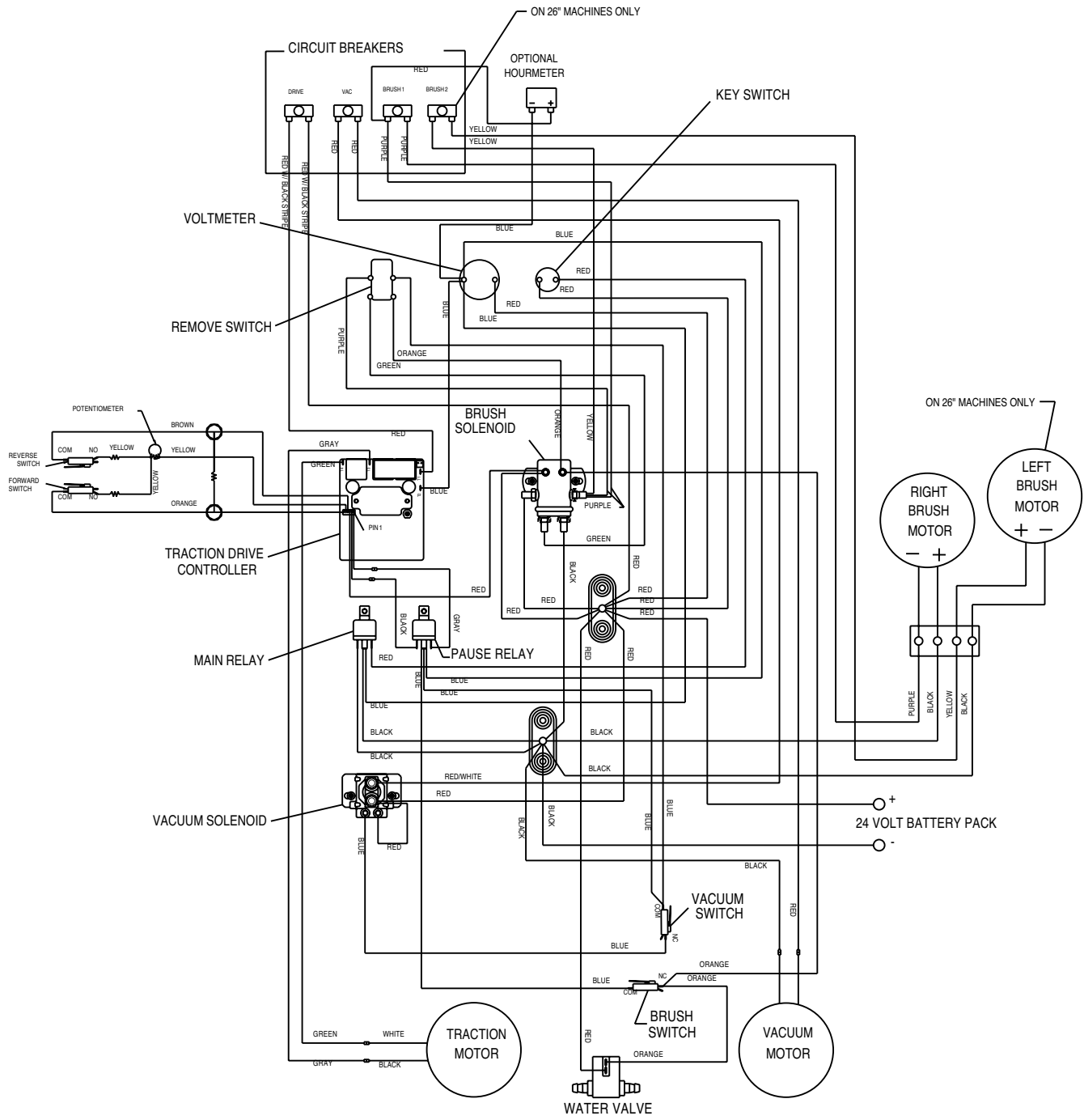
Item	Ref. No.	Qty	Description
1	56009280	8	Nut, Retainer 1/4-20
2	56054556	1	Bar,Stl—.125x1.00,31.31 Long
3	56054557	1	Rubber,Squeegee—.125x1.75,33l
4	56001833	2	Scr, Hex 1/4-20 x 1.50
5	56001855	2	Scr, Hex 1/4-20 x 2.50
6	56002603	2	Scr, Hex 1/4-20 x 3.00
7	56002689	2	Scr, Hex 1/4-20 x 3.50
8	56001939	12	Wsh, Flt Sae 5/16
9	56054560	1	Bar,Stl—.125x1.00,34.14 Long
10	56054559	1	Rubber,Backup—.125x2.00,34.4l
11	56054558	1	Rubber,Squeegee—.187x2.75,35l
12	56002063	2	Wsh, Flt Sae 3/8
13	56054554	1	Casting,Squeegee-26 Auto,Hv
14	56053699	2	Spacer,Stl—.312x.437, .43l
15	56053720	2	Wheel-4.00dia,.438bore,.688hb
16	56003073	2	Scr, Hex Loc 5/16-18 x 1.00
17	56035596	1	Wdmt,Squeege Brkt-20/26,Black
18	56057935	2	Knob,3-Lobe-.38-16 Int.Thd

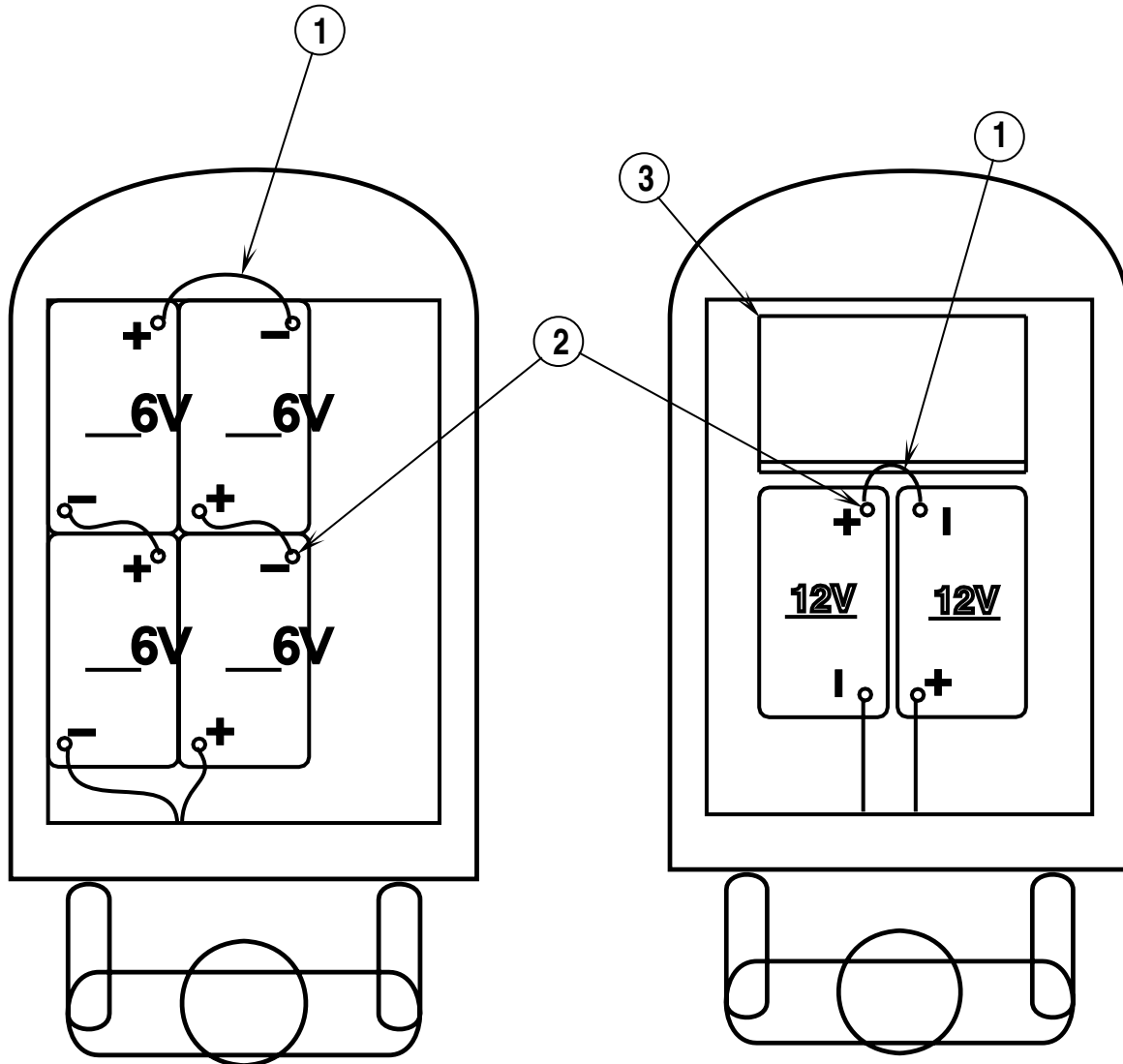


Item	Ref. No.	Qty	Description
1	56026133	1	Control—Dc,Autos,Crts,24v
2	56057804	1	Panel,Stl—16ga,12.50x11.84blk
3	56026645	1	Solenoid—24v
4	56009019	10	Scr, Hex Thd Form 1/4-20 x .38
5	56478246	3	Cable,Tie—6.0l,Nylon
6	56002701	2	Nut, Hex Nyl Loc 5/16-18
7	56009099	2	Nut,Hex Jam 5/8-18
9	56009122	2	Wsh, Flt .344 x .938 x .125
10	56057872	2	Insulator—Main Terminal
11	56001834	2	Scr, Hex 5/16-18 x 1.25
12	56900787	1	Grommet—.88id,1.62od
13	56002830	4	Nut, Hex Nyl Loc 6-32
*	56002858	2	Scr, Pan Phil 6-32 x 1.00
14	56027165	1	Solenoid—24v,Spst,Norm Open
15	56027240	1	Asm,Charger Plug—2 Cndct
16	56026180	2	Relay,Power—24vdc,40/30a,Spdt
17	56002808	2	Nut, Hex Nyl Loc 8-32
*	56001868	2	Scr, Pan Phil 8-32 x 1.00
*	56057428	2	Spacer,Alum—.187x.375, .375l
*	56026190	1	Harness,Wire—Main,20/26
*	56026244	1	Harness,Wire—Drive,Ka-20/26

\* = Not Shown







Item	Ref. No.	Qty	Description
1	56637492	3	Asm,Wire— 6ga,Blk,12.8l,Rings (Qty of 1 on 2 x 12V)
2	56372673	8	Boot,Insulator—Batt Terminals (Qty of 4 on 2 x 12V)
*	56478246	8	Cable Tie
3	56057920	1	Spacer,Angle—Batt Comp,Poly (2 x 12V Only)

99-4	<b>RECOMMENDED SPARE PARTS</b>		
99-12	<b>SelectScrub™ 20 / 26</b>		<b>21</b>

### 20" MACHINE

Item	Ref. No.	Qty	Description
1	56057243	1	Key,Automatics—For P/N 441538
2	56057901	1	Filter,Screen—2.00 Od,20 Mesh
3	56057915	1	Guard,Splash—20in Auto,Slit
4	56054793	1	Rubber,Squeegee-Front,20 Auto
5	56054794	1	Rubber,Squeegee—Rear,20 Auto
6	56057935	1	Knob,3-Lobe—.38-16 Int.Thd

### 26" MACHINE

Item	Ref. No.	Qty	Description
1	56057243	1	Key,Automatics—For P/N 441538
2	56057901	1	Filter,Screen—2.00 Od,20 Mesh
3	56057844	1	Guard,Splash—26" Auto,Slit
4	56054557	1	Rubber,Squeegee—.125x1.75,33I
5	56054558	1	Rubber,Squeegee—.187x2.75,35I
6	56057935	1	Knob, 3-Lobe—.38-16 Int.Thd



Kent/Euroclean  
14600 21st Avenue North  
Plymouth, MN, 55447-3408  
[www.eurocleanusa.com](http://www.eurocleanusa.com)  
Phone: 800-334-1083  
Fax: 866-261-4779