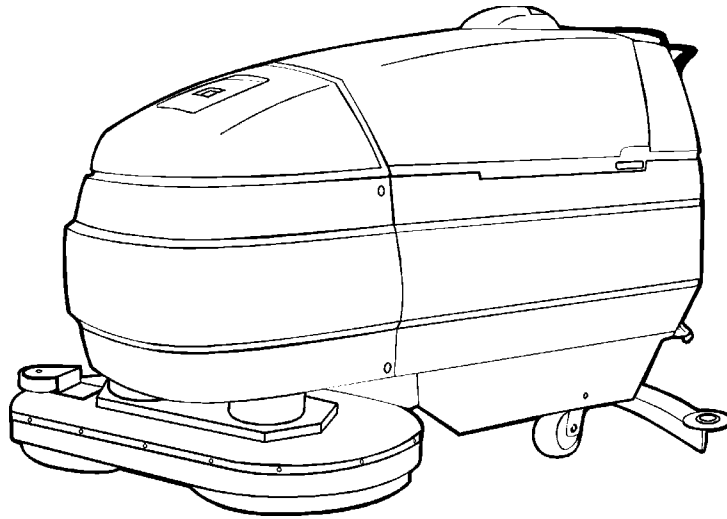


# SelectScrub™ 27

---



---

## **PARTS LIST** **Kent MODEL 56636998**

This model is obsolete.

---



**KENT**  
**Euroclean**

*Working For A Cleaner World*

4/99 revised 2/05 FORM NO. 56042365(083399P-1)

**RECOMMENDED SPARE PARTS**

99-4

**SelectScrub™ 27**

04-6

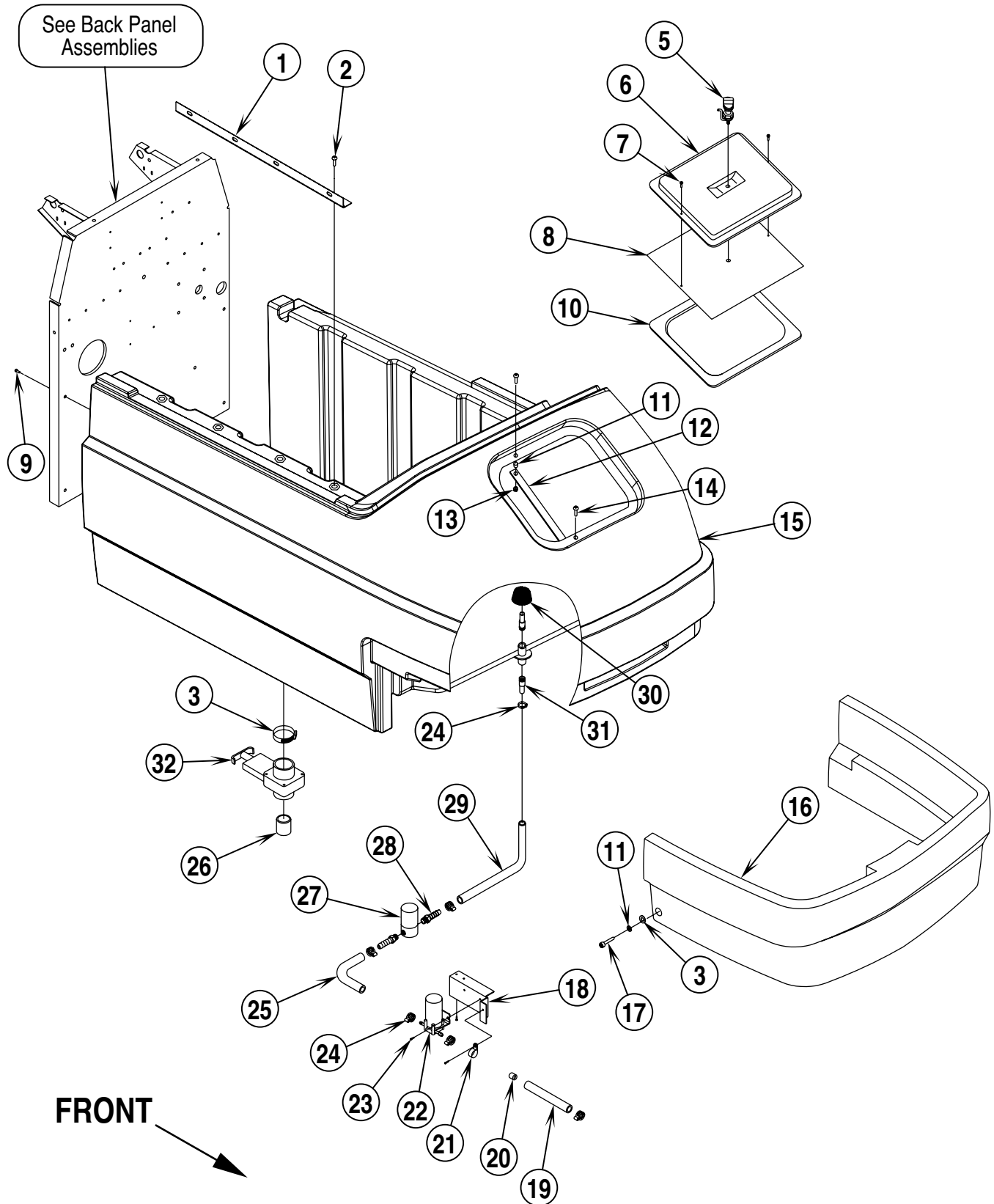
<b>Ref. No.</b>	<b>Qty</b>	<b>Description</b>
56035302	1	Hose, Squeegee Blk
56035129	1	Hose, Tank Blk
56035179	1	Hose, Dump Blk
56039276	4	Carbon Brush
56377001	1	Carbon Brush set for vac motor
56057935	1	Knob, 3-Lobe
56056425	1	Rubber, Squeegee Front
56056427	1	Rubber, Squeegee Rear
56056426	1	Rubber, Squeegee Backup
56056466	1	Gasket, Squeegee
56056793	1	Filter, Screen

DESCRIPTION	PAGE
SOLUTION TANK ASSEMBLY .....	2-3
RECOVERY TANK ASSEMBLY .....	4-5
BACK PANEL ASSEMBLY .....	6-7
SQUEEGEE ASSEMBLY .....	8-9
BRUSH HEAD ASSEMBLY .....	10-11
REAR COVER ASSEMBLY .....	12-13
BRUSH COVER ASSEMBLY .....	14-15
FRAME ASSEMBLY .....	16-17
CHASSIS ASSEMBLY .....	18-19
WIRING DIAGRAM .....	20

#### WHEN ORDERING PARTS

- \* Use the 8 digit numbers from the "Ref. No." columns in this parts list.
- \* Specify the model and serial number of the machine.
- \* Use the space below to record the model and serial number for future reference.

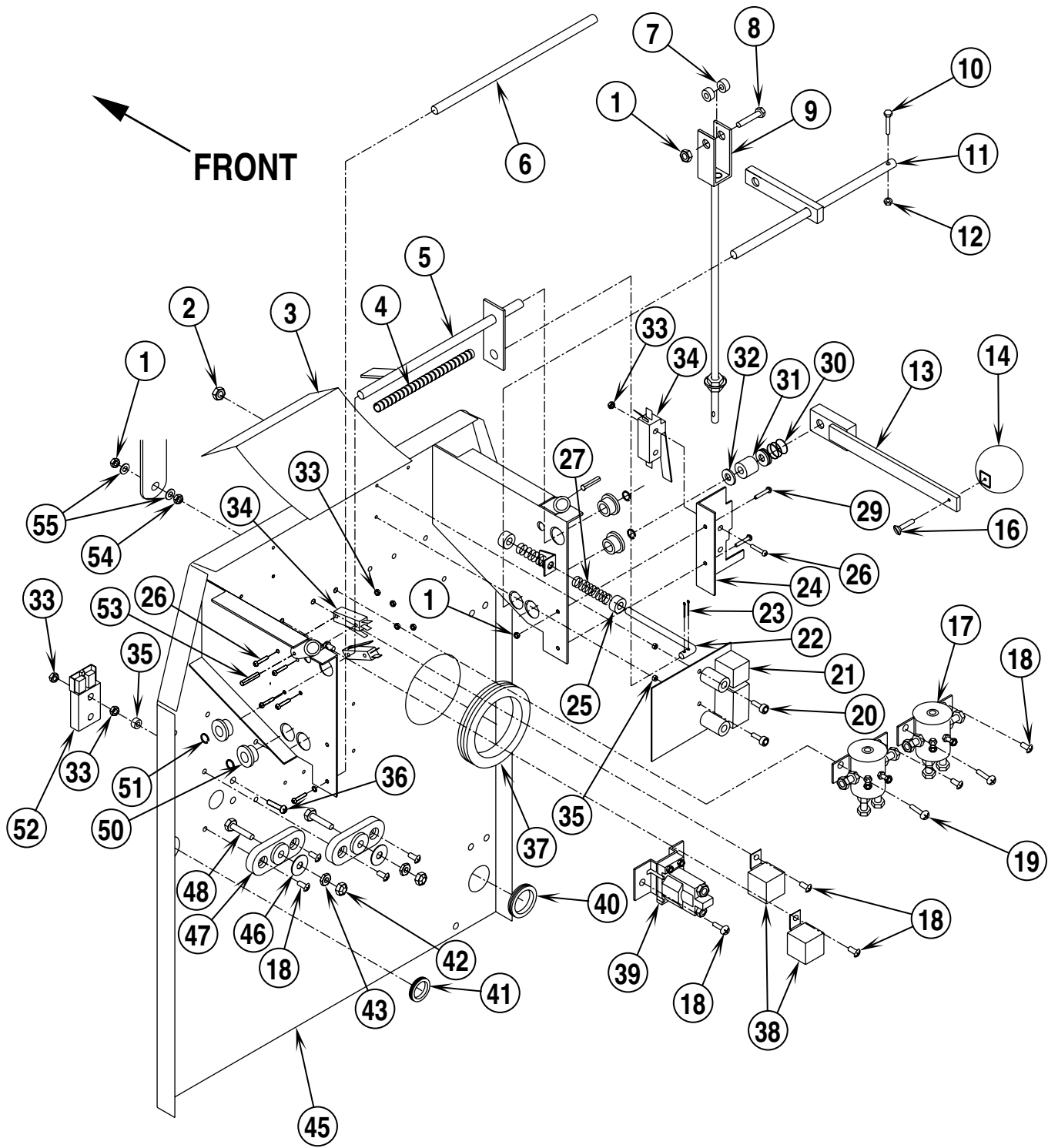
Model \_\_\_\_\_ Serial No. \_\_\_\_\_



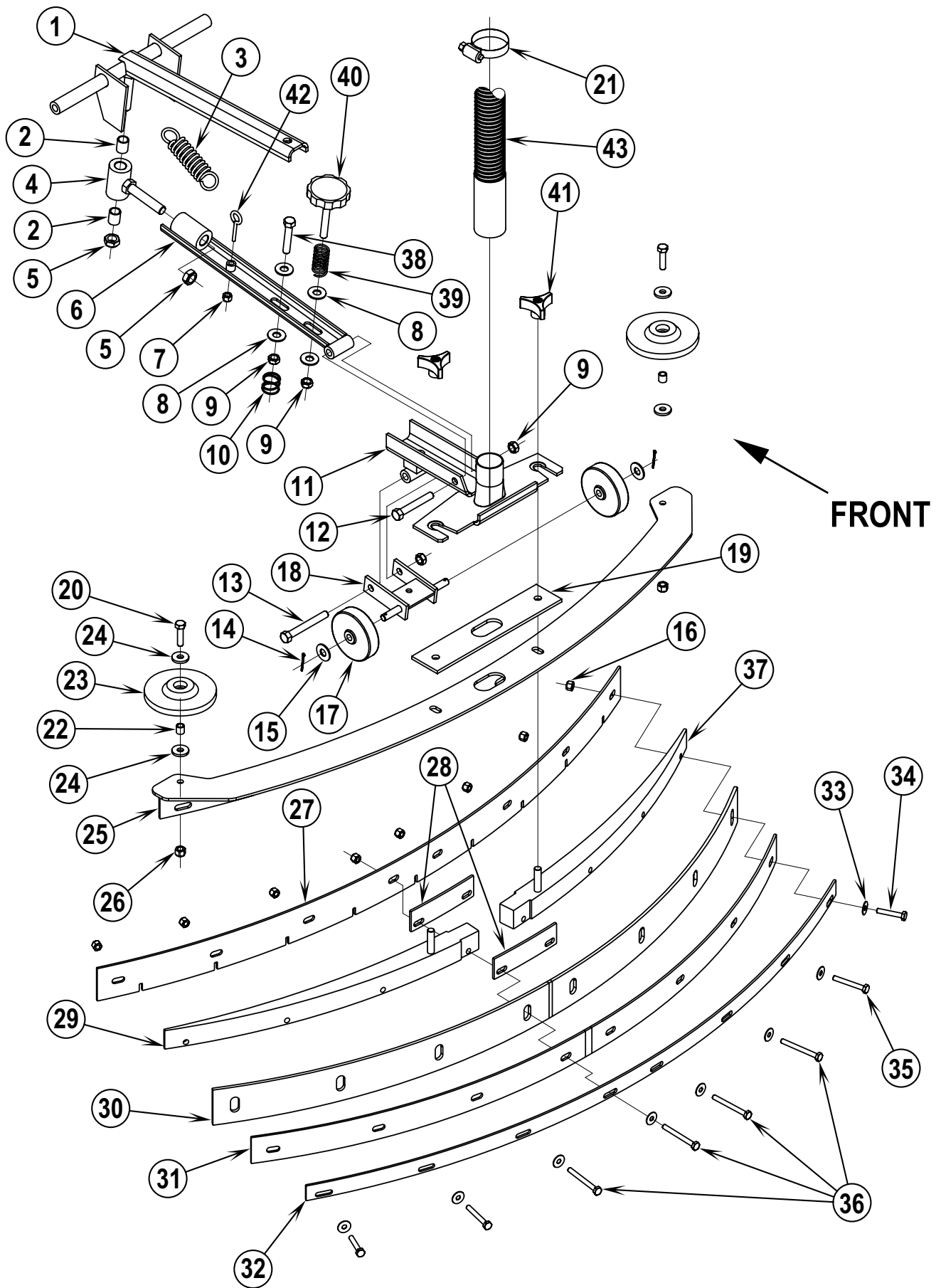
Item	Ref. No.	Qty	Description
	56035297	1	Assy, Solution Tank, Includes Items (1-2, 4-8, 10, 15, 26, 32)
	56035331	1	Assy, Lid, Solution Tank, Includes Items (5-8)
1	56056514	1	Hinge, Butt—RS 056291,Black
2	56002922	4	Scr, Hex Loc 1/4-20 x .62
3	56049999	1	Clamp, Hose Worm Drive SAE 28
5	56055222	1	Latch, Twist
6	56057040	1	Lid, Tank—Sol Tank, 27 AUTO
7	56003515	2	Rivet, Pop—.125DIA,.188MAX G.R
8	56057041	1	Plate, SS—20GA,8.25x10.75
9	56002032	4	Scr Cap Soc HD .250-20 x .625L
10	56057044	1	Seal, Trim
11	56046425	2	Spacer, Phen—.250 x .437, .250L
12	56057043	1	Bar, Stil—.120 x .750, 8.75L
13	56002836	2	Nut, Hex Nyl Loc SS 10-24
14	56002898	2	Scr Mach Pan HD 10-24 x 1.00L,SS
15	56056698	1	Tank, Solution—MACH'D, 27 AUTO
16	56056978	1	Cover, Front—Flame Treated,27
17	56001961	2	Scr Cap Soc HD—.25-20 x 1.25 L
18	56056659	1	Bracket, Water Pump
19	56052887	1	Tube, Vinyl—.375 x .625,18.00L,R
20	56057688	1	Spacer, SS—.106 x .400, .500L
21	56051474	1	Clamp, Loop—.625 Closed ID, Nyl
22	56639470	1	Assy, Pump—12V,1GPM
23	56009030	5	Scr Pan Phil Thd Form 10-24 x .375L
24	56219932	6	Clamp, Hose—.625 MAX Dia, Worm
25	56048505	1	Tube, Vinyl—.500 x .750, 6.75L
26	56056593	1	Tube, Plastic—1.58-1.50 Reducer
27	56027145	1	Valve, Solenoid—24V
28	56054691	2	Adptr, PP-HS—3/8MPT x 3/8HS,BRS
29	56392277	1	Tube, Vinyl—.375ID x .625OD x 5.00
30	56057209	1	Line Strainer—80 Micron,S.S.
31	56051207	2	Adptr, PP-HS—1/2MPT x 3/8HS,PLS
32	56055070	1	Valve, Slide—Shutoff,1.5Pipe,T



Item	Ref. No.	Qty	Description
	56035484	1	Assy, Recovery Tank, Includes Items (1-14, 16, 19, 21, 24-31, 35-46)
1	56009191	2	Scr Pan Phil Plastite 10-14 x .500L
2	56056793	1	Filter, Screen—1.85ID,SS
3	56055494	1	Pipe, PVC—1.50 SCH40 X 6.00L
4	56329145	3	Clamp, Hose—2.25 MAX DIA, Worm
5	56002917	2	Scr, Fit Phil SS 10-24X1LSS
6	56002768	4	Nut, Hex Nyl Loc 10-24
7	56057029	1	Gasket, Support—27" AUTO
8	56057033	1	Plate, Stl—Rec Tank, SS
9	56035326	1	Weldment, Support
10	56003015	2	Nut, Hex Jam SS 3/8-16
11	56035327	1	Weldment, Support—Rec Tank
12	56002959	4	Pin, Cot Hair SS .125 x Dia .50/.75
13	56057025	1	Plate, Stl—16GA,SS
14	56057026	1	Pin, Stl—3/8"OD,SS
15	56057187	1	Handle, Slide Valve—Service
16	56057504	1	Bracket, Stl—11GA,Plated
17	56057579	1	Lid, Domed—DURASCRUB, Clear
18	56002098	1	Wsh, Flt SAE 1/4
19	56002147	2	Scr Pan Phil 10-32 x .50
20	56001954	2	Wsh, Flt SAE #10
22	56003537	1	Scr, Soc Shd .250 x .38 x 10-24
23	56057508	1	Bar, Stl—11GA,W/Slot, Plated
24	56263264	1	Assy, Vacuum Motor 24V,3-STG,W/TERMS
25	56056764	3	Spacer, Phen—.265 x .500 x 3.156L
27	56503003	1	Carbon Brush Set for Vac Motor
28	56002740	3	Scr, Hex 1/4-20 x 4.00L
29	56035564	1	Assy, Hose—Blk, Cuffs & Elbow
30	56056676	1	Elbow, Pipe—RS 98402,Cut Off
31	56630382	1	Ring-Motor Mounting
32	56131601	2	Clamp, Hose—1.75 MAX Dia, Worm
33	56035129	1	Assy, Hose—Tank, 1.50 Dia, Blk
34	56035179	1	Assy, Hose—Dump, Blk, 1,50 Dia
35	56057671	1	Bracket, Steel—16GA.Taml Valve
36	56035160	1	Weldment, Drain—Recovery Tank
37	56054762	1	Gasket, Foam—.187 x 2.87 x 2.87
38	56057421	1	Valve, Slide—1-1/2Pipe, 27" Auto
39	56053894	1	Fitting—Reducer,1.66-1.50,Pls
40	56057106	1	Tube, PVC—RS098403,4.500L
41	56057437	1	Tank, Rec—Mach'd,27SS
42	56635964	1	Assy, Elbow—Recovery Tank
43	56057002	1	Switch, Float W/Wire
44	56056617	1	Wire Rope—.062DIA x 6.00L
45	56057890	1	Gasket—.375 x .375 x 36.00L



Item	Ref. No.	Qty	Description
1	56002708	4	Nut, Hex Nyl Loc 1/4-20,ZN PLT
2	56002808	2	Nut, Hex Nyl Loc 8-32,ZN
3	56026164	1	Insulator, Elec—MYLAR,11.5X7
4	56057176	1	Tube, Plstc—Slit,.81OD x 11.0"L
5	56035384	1	Weldment, Shaft Actuator
6	56057366	1	Rod, Stl—Support,Handle, KA-33SS
7	56050872	2	Spacer, Phen—.250 x .500, .375L
8	56001967	1	Scr Cap Hex Hd 1/4-20 x 1.75L
9	56035488	1	Assy, Squeegee Lift
10	56002102	1	Scr Cap Soc Hd 10-24 x 1.25L
11	56639618	1	Weldment, Squeegee 27SS,Plated
12	56002768	1	Nut, Hex Nyl Loc 10-24
13	56639643	1	Handle, Squeegee Weldment
14	56057391	1	Handle, Ball—Alum,2.125 Dia
16	56002828	1	Scr Hex Mach Pan HD 1/4-20 x .625L
17	56026645	2	Solenoid, 24V
18	56009062	12	Scr Pan Phil Thd Form 1/4-20 x .50
19	56002825	1	Scr Pan Phil 1/4-20 x 1.25L
20	56001868	2	Scr, Pan Phil 8-32 x 1.00
21	56026133	1	Control—DC,Autos,Crts,24V
22	56053296	1	Rod, Stl—.312 Dia., 6.00 Long
23	56002166	2	Pin, Cotter—.094 x .750 LONG
24	56057413	1	Bracket, Arm Stop
25	56048987	2	Collar-Centering Spring
26	56002858	6	Scr Pan Phil 6-32 x 1.00L
27	56056597	2	Spring, Comp .480D 2.75L .045WD
29	56002066	3	Scr Pan Phil 1/4-20 x .625L
30	56057388	1	Spring, Comp .975D .88 L .112WD
31	56057517	1	Spacer, Nylon—.50ID,.71OD,.39T
32	56001879	3	Wsh, Flt SAE 1/2
33	56002830	8	Nut, Hex Nyl Loc 6-32
34	56026603	3	Switch, Lvr—SPDT,20A,125-250V
35	56057428	4	Spacer, Alum .187 x .375, .375L
36	56002670	2	Scr Pan Phil 6-32 x 1.50L
37	56054845	1	Grommet—3.00ID,3.50MHD,.12PA
38	56026180	2	Relay, Power—24VDC,40/30A,SPDT
39	56027165	1	Solenoid, SPST, 24VDC
40	56262531	1	Grommet 2"ID x 2.44MHD x .12PA
41	56055434	1	Grommet 1.0ID,1.25MHD,.125PA
42	56002701	2	Nut, Hex Nyl Loc 5/16-18
43	56009086	2	Nut, Hex Jam 5/16-18,Zn Plt
45	56035481	1	Weldment, Back Panel
46	56009122	2	Wsh, Flt .344 x .938 x .125
47	56057872	2	Insulator Main Terminal
48	56001834	2	Scr Cap Hex Hd 5/16-18 x 1.25L
50	56027131	4	Bearing, Flange .500ID.750OD.500W
51	56003264	4	Ring, Ret Ext Type E
52	56027240	1	Assy, Charger Plug 2 CNDCT
53	56002734	2	Pin, Roll—.312 DIA,1.000L
54	56003145	1	Nut, Hex—1/4-20,SS
55	56002098	2	Wsh Flt .281ID.750OD.120T Stl



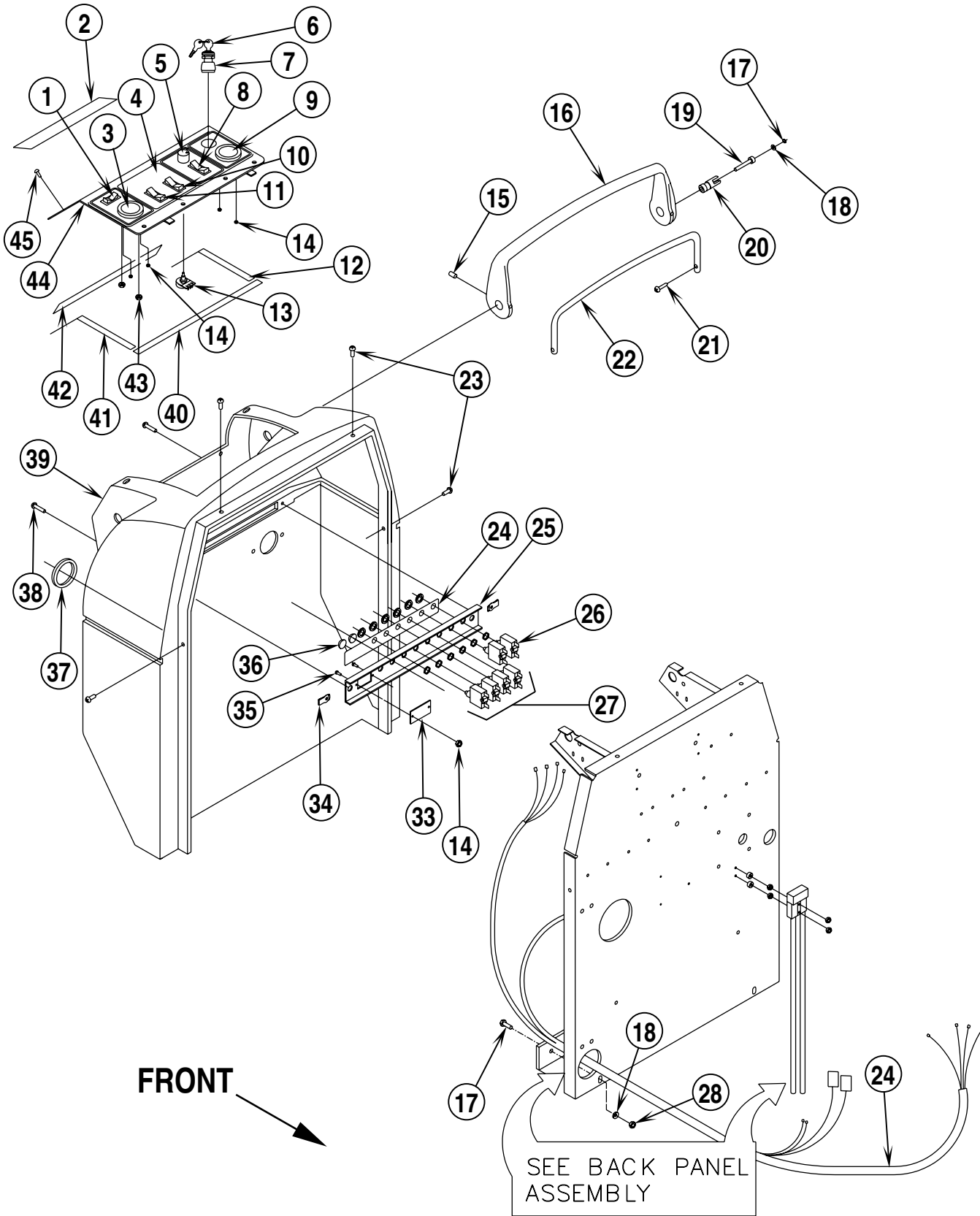
Item	Ref. No.	Qty	Description
	56035215	1	Assy, Squeegee, Includes Items (16, 19-37)
	56035309	1	Assy, Squeegee Linkage, Includes Items (1-18, 38-41)
1	56035310	1	Weldment, Squeegee Lift
2	56027171	4	Bearing, Sleeve .500ID, .625OD, .750W
3	56051136	1	Spring, Ext .750D 2.92L .104WD
4	56035150	1	Weldment, Pivot—Squeegee
5	56002843	2	Nut, Hex Nyl Loc Thin 1/2-13
6	56035137	1	Weldment, Squeegee Bar
7	56002840	1	Nut, Hex Nyl Loc Thin 1/4-20
8	56002063	4	Wsh Flt .406ID1.00OD.071T Stl
9	56002841	4	Nut, Hex Nyl Loc Thin 3/8-16
10	56056808	1	Spring, Comp .970D .750L .072WD
11	56035138	1	Weldment, Squeegee Bracket
12	56001873	1	Scr Cap Hex Hd 3/8-16 x 2.50L
13	56002204	1	Scr Cap Hex Hd 3/8-16 x 3.00L
14	56002166	2	Pin, Cotter .09 x .74 LONG
15	56002063	2	Wsh Flt .406ID.625OD.036T Stl
16	56002491	8	Nut, Hex Nyl Loc SS 1/4-20
17	56057193	2	Wheel, Plastic—3"OD, 3/8"Bore
18	56034172	1	Weldment, Bracket—Squeegee Wheel
19	56056466	1	Gasket, Squeegee—.187 x 2, 9.75L
20	56001834	2	Scr Cap Hex Hd 5/16-18 x 1.25L
21	56131601	1	Clamp, Hose—1.75 Max Dia, Worm
22	56053699	2	Spacer, Stl—.312 x .437, .43L
23	56053720	2	Wheel—4.00DIA, .438Bore,.688HB
24	56002220	4	Wsh, Flt STD 5/16
25	56035118	1	Weldment, Squeegee
26	56002826	2	Nut, Hex Nyl Loc-Thin 5/16-18
27	56056425	1	Rubber, Squeegee Front
28	56056461	2	Clamp, Squeegee—11GA,5.00L
29	56056285	1	Spacer, Squeegee Left
30	56056427	1	Rubber, Squeegee Rear
31	56056426	1	Rubber, Squeegee Backup
32	56056671	1	Strap, Squeegee—27"Auto
33	56002098	8	Wsh Flt SAE 1/4
34	56001833	2	Scr Hex 1/4-20 x 1.50
35	56001874	2	Scr Hex 1/4-20 x 2.00
36	56001855	4	Scr Hex 1/4-20 x 2.50
37	56056435	1	Spacer, Squeegee—Right
38	56002470	1	Scr Hex Thd/Hd 3/8-16 x 2.00
39	56056585	1	Spring, Comp .845D 1.75L .085WD
40	56035163	1	Assy, Knob—Adjustment
41	56057935	2	Knob, 3-Lobe
42	56009220	1	Bolt, Eye 1/4-20 x 1.00
43	56035302	1	Assy, Hose—Squeegee,1.5DIA,Blk



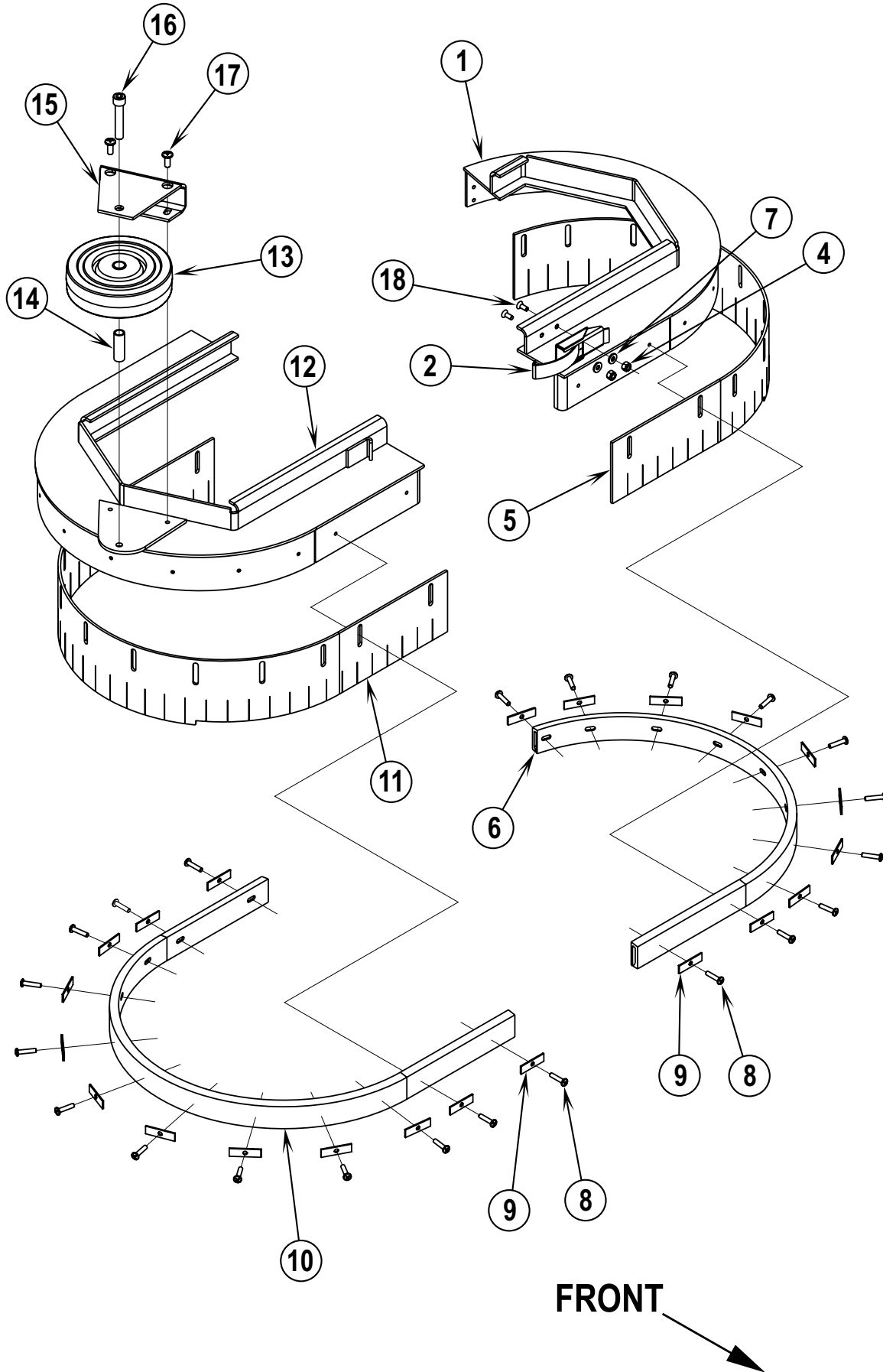
Item	Ref. No.	Qty	Description
	56035491	1	Assy, Brush Head, Includes Items (1-17, 19-45)
	56035366	1	Assy, Drive Hub, Right, Includes Items (14-15, 19-28)
	56035367	1	Assy, Drive Hub, Left, Includes Items (14-17, 19, 21-24, 26-28)
1	56026603	3	Switch, Lvr—SPDT,20A,125-250V
2	56002692	2	Scr Pan Phil 6-32 x 1.75
3	56002830	4	Nut, Hex Nyl Loc 6-32
5	56002529	2	Pin, Cotter—.125 x 1.00 Long
6	56003529	1	Ring, Ret Int Type HO
7	56001879	8	Wsh Flt SAE 1/2
8	56027153	2	Assy, Motor & Gear Unit
9	56057663	2	Key, Square—.250 SQ,1.437 Long
10	56002959	2	Pin, Lock—.125 Dia Wire
11	56035313	1	Weldment, Brush Head—27 AUTO
13	56002947	8	Scr Hex Loc 3/8-16 x 1.00L
14	56003525	2	Ring, Ret Int Type HO
15	56009283	2	Wsh Flt 1.770ID2.342OD.078T
16	56056446	1	Hub, Drive Brush Left
17	56057160	1	Plate, SS—Brush MTG Ring, Left
18	56005630	6	Lug, Brush 1/4-20 Thread
19	56002836	12	Nut, Hex Nyl Loc SS 10-24
20	56057159	1	Plate, SS—Brush Mtg Ring, Right
21	56003630	12	Scr Flt Phil SS 10-24 x .88
22	56003540	2	Scr Soc Hd Loc 5/16-18 x 1.50
24	56003026	4	Scr Pan Phil SS 6-32 x .50
25	56056447	1	Hub, Drive Brush Right
26	56057046	2	Clip, Retaining—Brush Lug
27	56056445	2	Shaft, Drive—Brush
28	56056464	2	Tube, SS—1.50OD,16GA,1.937L
29	56392277	1	Tube, Vinyl—.375 x .625, 5.00L
30	56249280	1	Tee, Hose
31	56392276	1	Tube, Vinyl—.375 x .625, 9.25L
32	56056987	1	Shaft, Stl—.375 Dia, 5.75L
33	56002063	10	Wsh Flt SAE 3/8
34	56002770	4	Nut, Hex Nyl Loc 1/2-13
35	56056254	4	Bar, Stl—.375 x 1.25, 9.00L
36	56056473	4	Spacer, Stl—.531 x .750, .218L
37	56001831	4	Scr, Hex Hd 1/2-13 x 1.25L
38	56003049	2	Scr Pan Phil 6-32 x 1.25L
39	56056155	1	Pin—Actuator
40	56046425	2	Spacer, Phen—.250 x .437, .250L
41	56035547	1	Weldment, Actuator Tube—Brush, Pltd
42	56056639	1	Plate, Stl—13GA,1.125Dia
43	56054427	1	Spring, Comp 1.09D 2.50L .035WD
44	56027154	1	Actuator, DC—24V, 500LBS, 6IN
45	56039276	4	Brush, Motor—FOR 56635644
46	56001939	2	Wsh, Flt SAE 5/16
47	56002907	4	Nut Hex Nyl Loc SS 6-32
*	56478246	5	Tie, Cable
**	56020386	2	Polypropylene Brush
**	56020390	2	Grit Brush
**	56020427	2	Pad Holder

\* = Not Shown

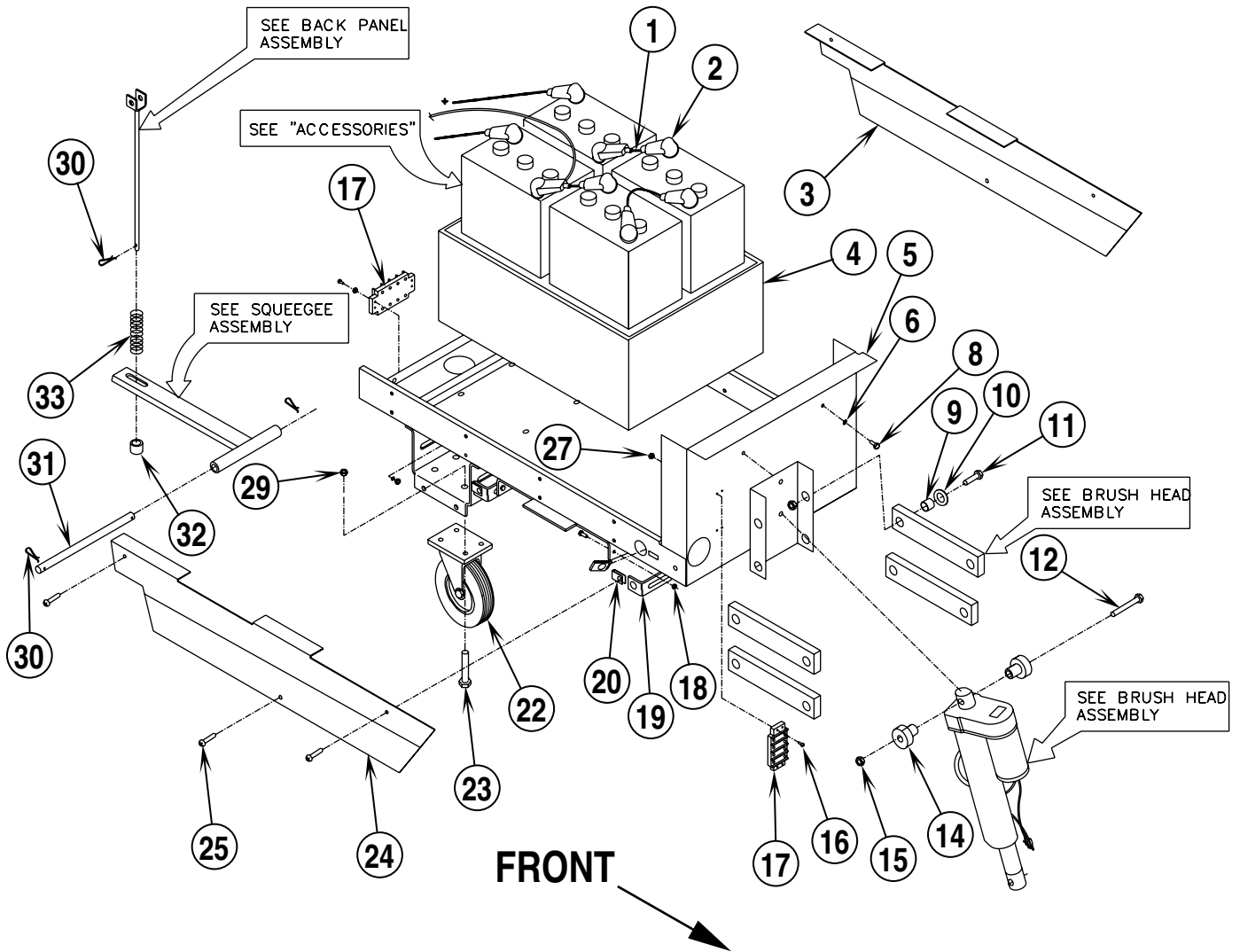
\*\* = Not Included (optional)



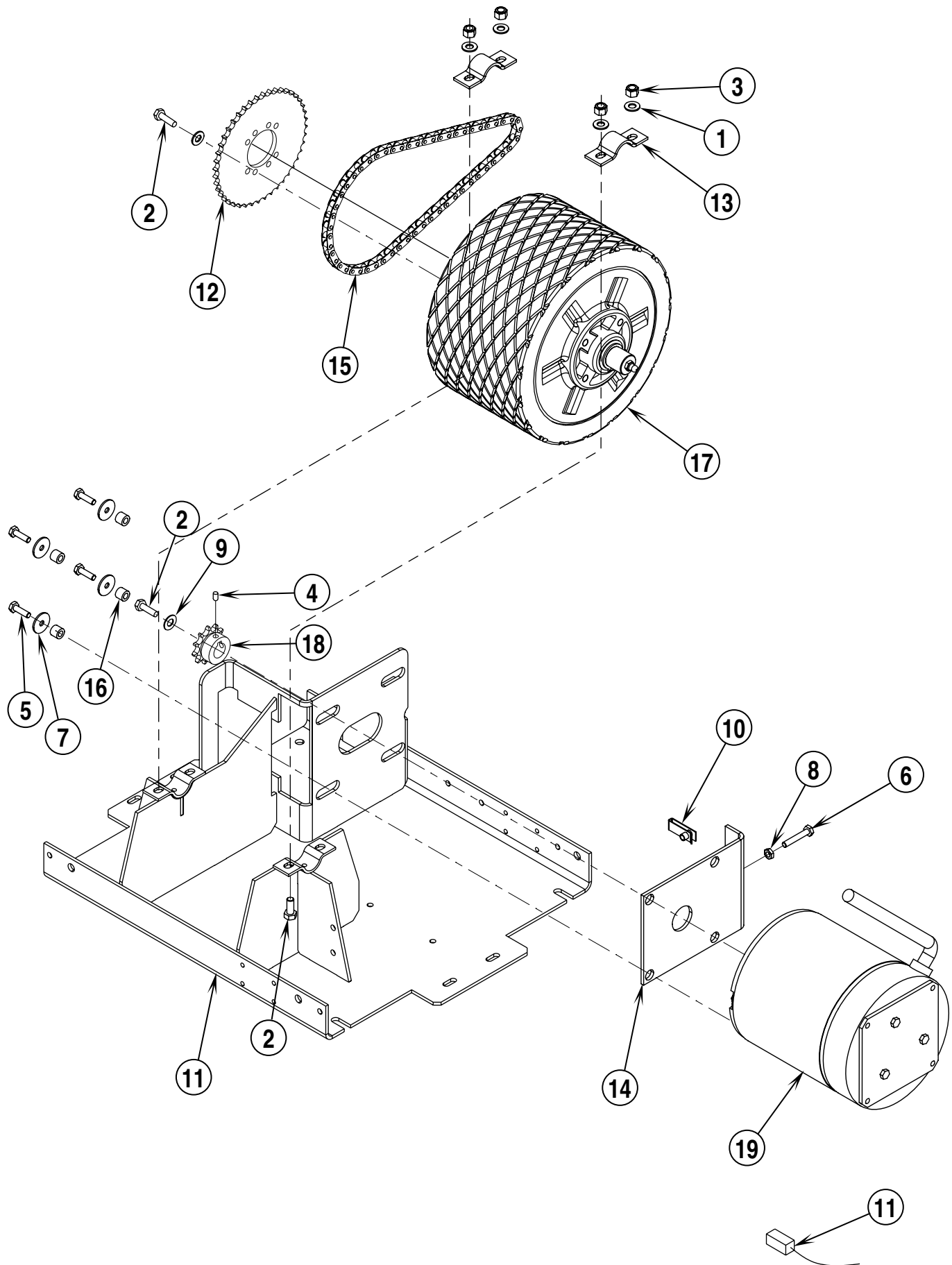
Item	Ref. No.	Qty	Description
1	56026046	1	Switch, Rocker—DPDT
2	56057836	1	Label—Warning, Automatics
3	56026131	1	Ammeter, DC—0-75A, Round, 2.0Dia
4	56057614	1	Label—Instr Panel
5	56056596	1	Knob, Plastic—Black, .92Dia x .95
6	56057243	1	Key, Automatics—for P/N 56441538
7	56441538	1	Starter-Switch-Locking
8	56026130	1	Switch, Rocker—DPDT, On/Off/On
9	56026135	1	Voltmeter—18-30 VDC, Round
10	56026129	1	Switch, Rocker—DPST, Off/On/(On)
11	56027241	1	Switch, Rocker—SPDT, On/Off Momt
12	56057308	1	Gasket—.125 x .500, 8.656L, Left
13	56026243	1	Potentiometer Assembly
14	56002830	6	Nut, Hex Nyl Loc 6-32
15	56001826	2	Scr, Soc Set Loc 5/16 -18 x .500
16	56056594	1	Handle, Painted Actuator
17	56003538	2	Ring, Ret Int Type HO
18	56002098	2	Wsh, Flt SAE 1/4
19	56003540	2	Scr Soc Hd Loc 5/16-18 x 1.50L
20	56056359	2	Shaft, Stl—.750Dia, 1.75L
21	56002145	2	Scr Pan Phil 1/4-20 x .50L
22	56056595	1	Handle, Stl—.625Dia, Painted
23	56009043	6	Scr Pan Phil Thd Form 10-24 x .750L
24	56057430	1	Label—Circuit Breaker, SS
25	56056499	1	Panel, Circuit Breaker
26	56387316	2	Circuit Breaker—10AMP
27	56454423	4	Circuit Breaker—30AMP, Scr Trm
28	56002701	2	Nut, Hex Nyl Loc 5/16-18, Zn Plt
30	56001939	2	Wsh Flt SAE 5/16
31	56002667	2	Scr Hex 5/16-18 x .750
32	56027172	1	Harness, Wire—SS/Brush Pause
33	56644681	1	Plate, Stl—Breaker Panel, Paint
34	56009289	2	Nut, U Multi-Thread 1/4-20
35	56001830	2	Scr Pan Phil 6-32 x .500L
36	56323560	2	Plug, Dome—.500Dia, Blk Plastic
37	56057058	1	Grommet—2"ID, 3"OD, .25GW
38	56002507	2	Scr Pan Phil 1/4-20 x .750
39	56057407	1	Cover, Rear—Mach'd
40	56057306	1	Gasket—.125x.500, 13.75L, TOP
41	56057309	1	Gasket—.125x.500, 8.656R
42	56057310	1	Gasket—.125x.500, 12.75L
43	56002708	2	Nut, Hex Nyl Loc 1/4-20, Zn
44	56057343	1	Panel, Instr
45	56009191	6	Scr Pan Phil Plastite 10-14 x .500



<b>Item</b>	<b>Ref. No.</b>	<b>Qty</b>	<b>Description</b>
	56035284	1	Assy, Brush Cover, Left, Includes Items (1-9, 18)
	56035283	1	Assy, Brush Cover, Right, Includes Items (8-17)
1	56035282	1	Weldment, Brush Cover Left
2	56054306	1	Clamp, Toggle—Black, 1.62 Latch
4	56002768	2	Nut, Hex Nyl Loc 10-24,Zn Plt
5	56056937	1	Guard, Splash Left
6	56056939	1	Channel, Rubber Brush
7	56009011	2	Wsh, Int Shprf .#10
8	56003505	22	Scr, Pan Thd Form 10-24 x .875L
9	56052006	22	Strap, Stl—.063 x .437 x 1.50 Long
10	56056938	1	Channel, Vinyl—Brush Cvr,27,Rt
11	56056936	1	Guard, Splash Right
12	56035281	1	Weldment, Brush Cover Rt
13	56161691	1	Wheel, Black—5" OD
14	56056684	1	Spacer, Stl—.500 x 17GA,1.50L,Z
15	56056701	1	Bracket, Bumper Wheel
16	56002133	1	Scr Soc Hd 3/8 –16 x 2.00L
17	56002066	2	Scr Pan Phil 1/4-20 x .62
18	56002178	2	Scr Flt Phil 10-24 x .50



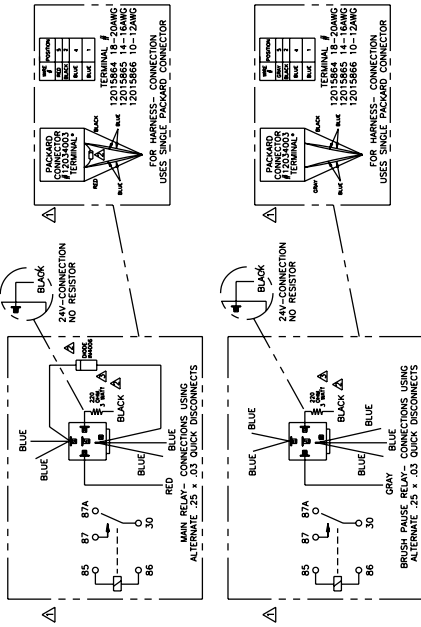
Item	Ref. No.	Qty	Description
1	56637492	3	Assy, Wire— 6GA,Blk,10.2L,Rings
2	56372673	8	Boot, Battery Post
*	56478246	8	Cable Tie
3	56056717	1	Skirt, Lower Left
4	56056727	1	Box, Batt—Mach, 27 Auto
5	56035277	1	Weldment—Upper Chassis, 27"
6	56009225	2	Wsh Flt .281ID1.25OD.063T Stl
8	56001836	2	Scr, Hex 1/4-20 x .625L
9	56056473	4	Spacer, Stl—.531 x .750, .218L
10	56001879	4	Wsh, Flt SAE 1/2
11	56001831	4	Scr Hex 1/2-13 x 1.25L
12	56001892	1	Scr Hex 3/8-16 x 2.75L
13	56002770	4	Nut, Hex Nyl Loc 1/2-13,Zn Plt
14	56054502	2	Bushing, Sleeve—.377ID.498OB1.00FLNG
15	56002769	1	Nut, Hex Nyl Loc 3/8-16
16	56002768	8	Nut, Hex Nyl Loc 10-24,Zn Plt
17	56026111	2	Terminal Block—4 Term,50 AMP
18	56002708	4	Nut Hex Nyl Loc 1/4-20,Zn Plt
19	56056715	4	Bracket, Stl Skirts
20	56009289	4	Nut, U Multi-Thread 1/4-20
22	56440450	2	Caster, Swivel—5.0 Dia, 700 lb
23	56002663	8	Scr Hex 3/8-16 x 1.00
24	56056716	1	Skirt, Lower Right
25	56002828	6	Scr Hex Mach Pan HD 1/4-20 x .625L
27	56002674	8	Scr Pan Phil 10-24 x 1.00L
29	56002769	8	Nut, Hex Nyl Loc 3/8-16
30	56002959	3	Pin, Lock—.125 Dia Wire
31	56056977	1	Shaft, Stl—.375 Dia,11.00L
32	56056683	1	Spacer, Stl—.391 x .625, .500L
33	56056618	1	Spring, Comp .845D 3.50L .100WD
34	56002155	4	Scr Hex Hd 1/4-20 x .750L



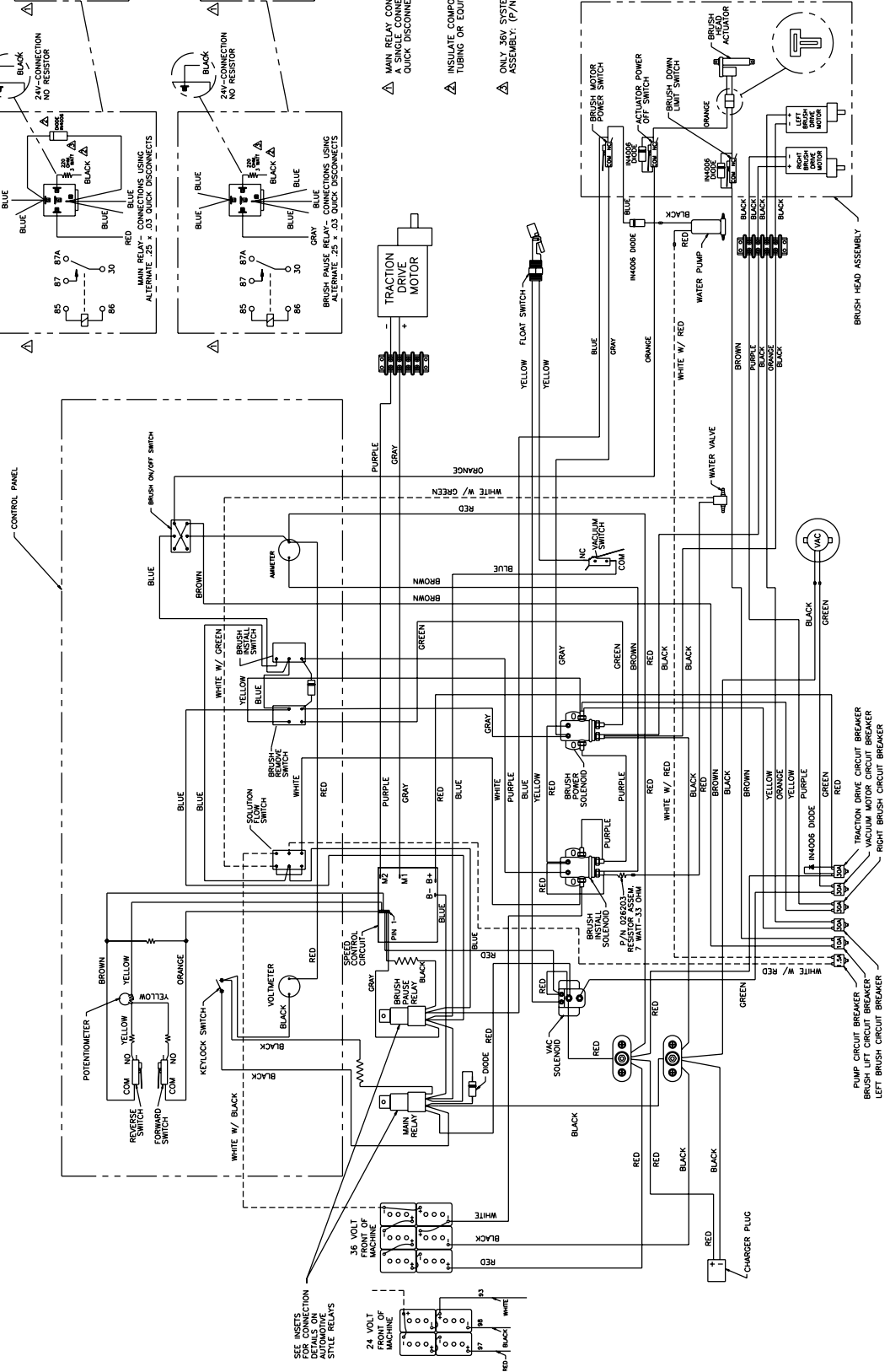
<b>Item</b>	<b>Ref. No.</b>	<b>Qty</b>	<b>Description</b>
	56639725	1	Assy, Lower Chassis
1	56001939	8	Wsh, Flt SAE 5/16
2	56002667	9	Scr, Hex Hd 5/16-18 x .75
3	56002701	4	Nut, Hex Nyl Loc 5/16-18
4	56001841	2	Scr, Soc Set Loc 1/4-20 x .50
5	56002960	4	Scr, Hex Loc 1/4-20 x .88
6	56003125	1	Scr, Hex Thd/Hd SS 1/4-20 x 1.50
7	56009060	4	Wsh, Flt SS .260 x 1.00 x .074
8	56009087	1	Nut, Hex Jam 1/4-20
9	56009214	1	Wsh, Flt .406 x .750 x .090
10	56009289	1	Nut, U Multi-Thread 1/4-20
11	56035612	1	Weldment, Base Motor and Wheel
12	56051376	1	Sprocket
13	56056327	2	Clamp, Axle
14	56057833	1	Bracket, Tension - Traction Drive
15	56057899	1	Chain, #40 - 32
16	56100856	4	Spacer
17	56648312	1	Wheel & Axle Assembly
18	56741122	1	Sprocket
19	56026191	1	Motor, 36V Drive

SelectScrub™ 27

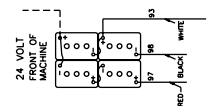
AUTOMOTIVE STYLE RELAY CONNECTION DETAIL



- △ MAIN RELAY CONNECTIONS CAN BE MADE WITH A SINGLE CONNECTOR BLOCK OR INDIVIDUAL QUICK DISCONNECTS AS SHOWN.
- △ INSULATE COMPONENTS WITH HEAT SHRINKABLE TUBING OR EQUIVALENT INSULATION.
- △ ONLY 36V SYSTEMS REQUIRE THE RESISTOR ASSEMBLY: (P/N 026203-1)



SEE INSERTS FOR CONNECTION DETAILS ON AUTOMOTIVE STYLE RELAYS





# **KENT**

14600 21st Avenue North  
Plymouth, MN, 55447-3408  
[www.kenturoclean.com](http://www.kenturoclean.com)  
Phone: 800-334-1083  
Fax: 866-261-4779  
©2005 Printed in the U.S.A.