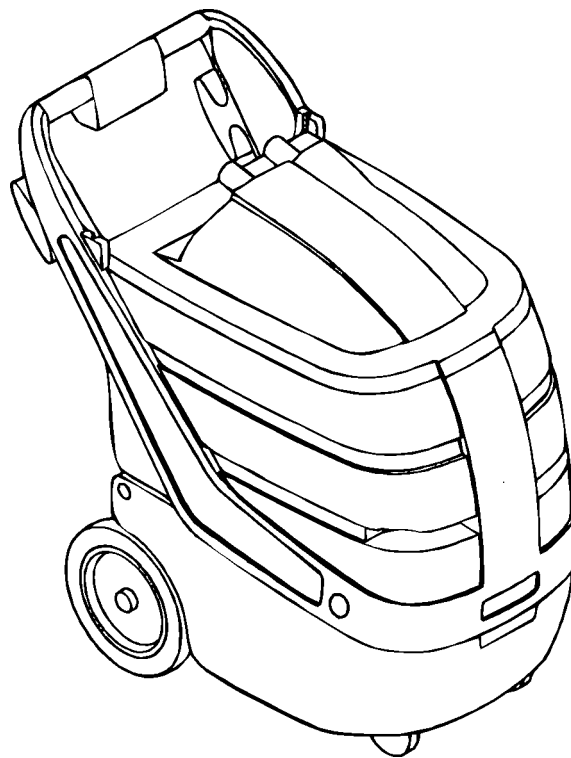


# SelecTrac™ 17T / 17THP



## **PARTS LIST** **Kent MODELS 56648033, 56648035**



**Nilfisk  
Advance**

*setting standards*

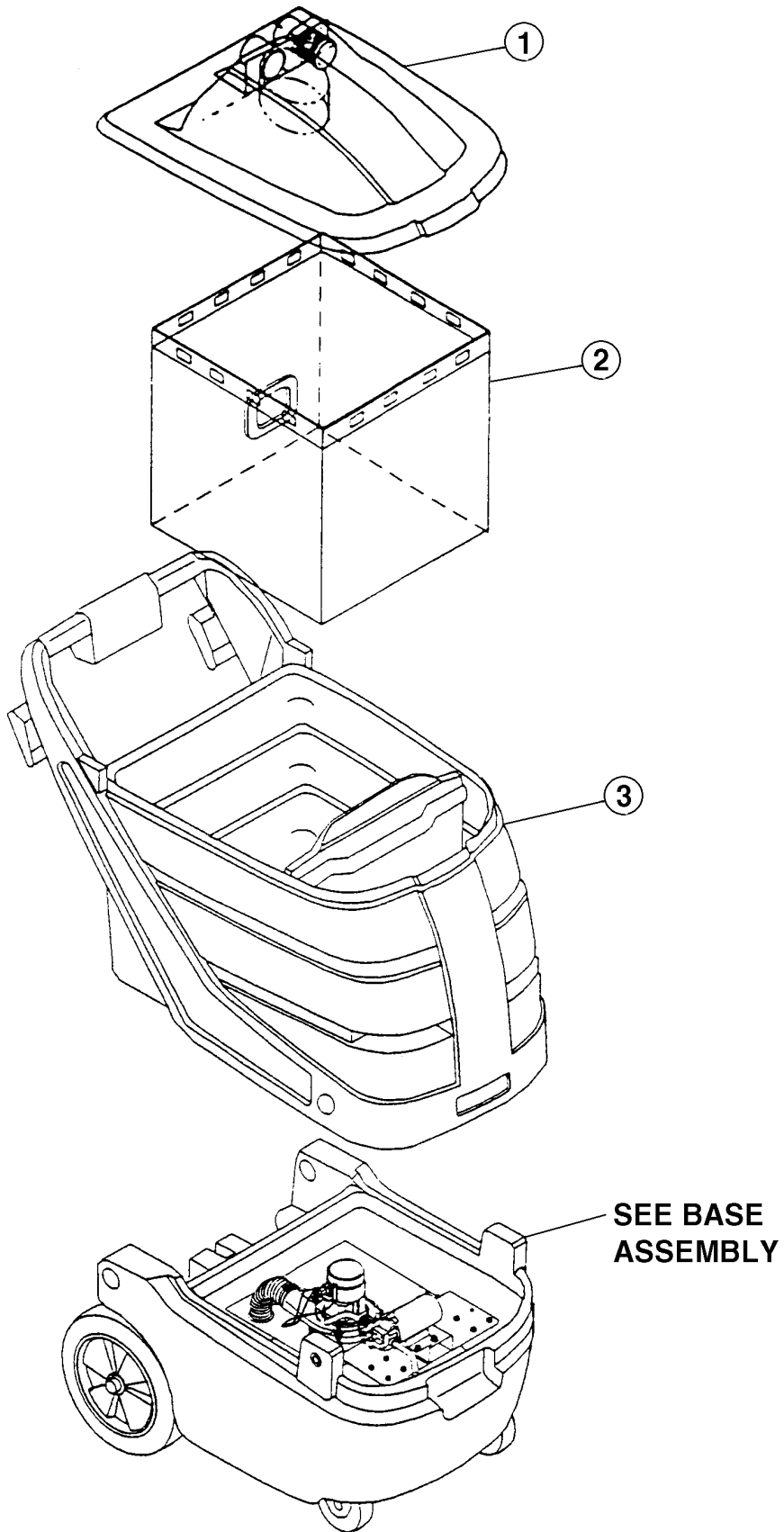
7/00 FORM NO. 56042401(083471P-1)

<b>DESCRIPTION</b>	<b>PAGE</b>
MAJOR ASSEMBLIES .....	2-3
LID AND BLADDER ASSEMBLY .....	4-5
TANK ASSEMBLY .....	6-7
BASE ASSEMBLY-17T .....	8-9
BASE ASSEMBLY-17THP .....	10-11

#### WHEN ORDERING PARTS

- \* Use the 8-10 digit numbers from the "Ref. No." columns in this parts list.
- \* Specify the model and serial number of the machine.
- \* Use the space below to record the model and serial number for future reference.

Model \_\_\_\_\_ Serial No. \_\_\_\_\_



ITEM	REF. NO.	QTY	DESCRIPTION
1	1410703010	1	ASM, LID
2	1410704010	1	ASM, BLADDER
3	1410705010	1	ASM, TANK, 17T
	56628905	1	ASM, TANK, 17THP
*	1410707010	1	ASM, HOSE 15FT (100PSI)
*	1410708010	1	ASM, HOSE 25FT (300PSI)
*	1410814010	1	HOSE, PRIMING, 17THP
**	1410700010	1	ASM, HEATER MOUNT KIT, 17T
**	1410701010	1	ASM, HEATER MOUNT KIT, 17THP
**	1410702010	1	BAG, CLOTH
**	56648036	1	HEATER-IN LINE
**	56648042	1	POWERHEAD 12
**	56039632	1	HAND TOOL, 4.25"
**	56039631	1	DRAG TOOL, SS

\* = NOT SHOWN

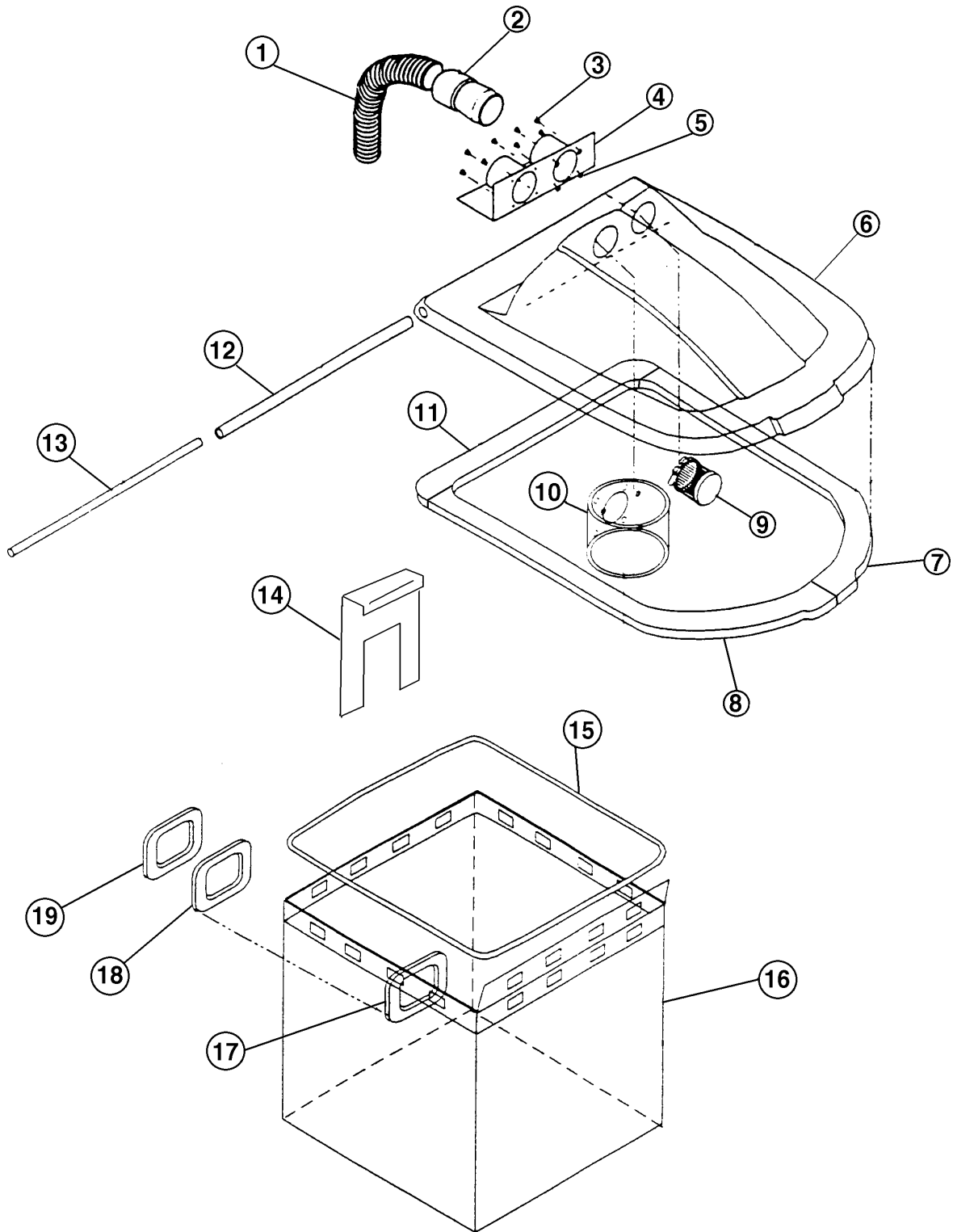
\*\* = OPTIONAL

LID AND BLADDER ASSEMBLY

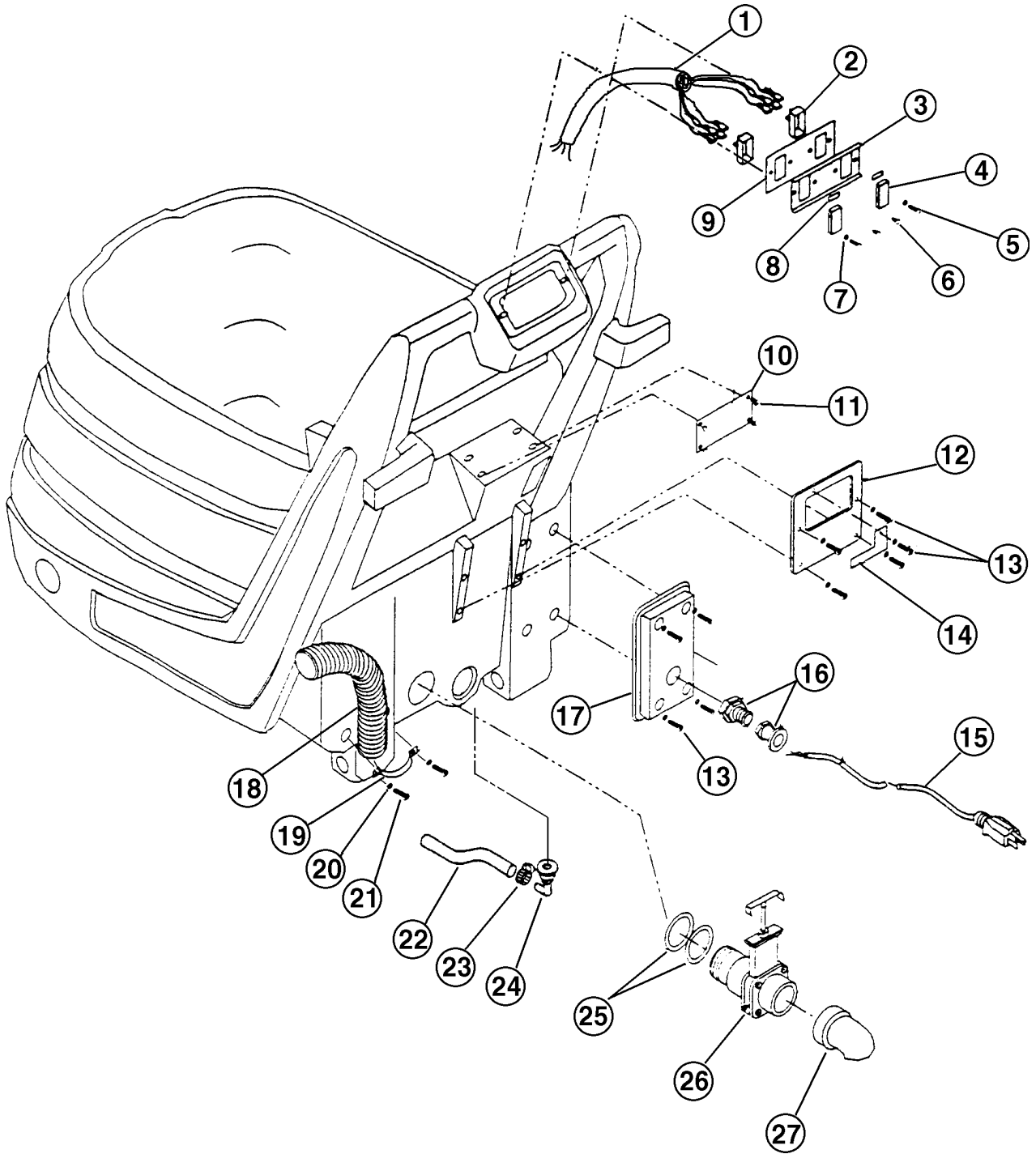
00-7

4

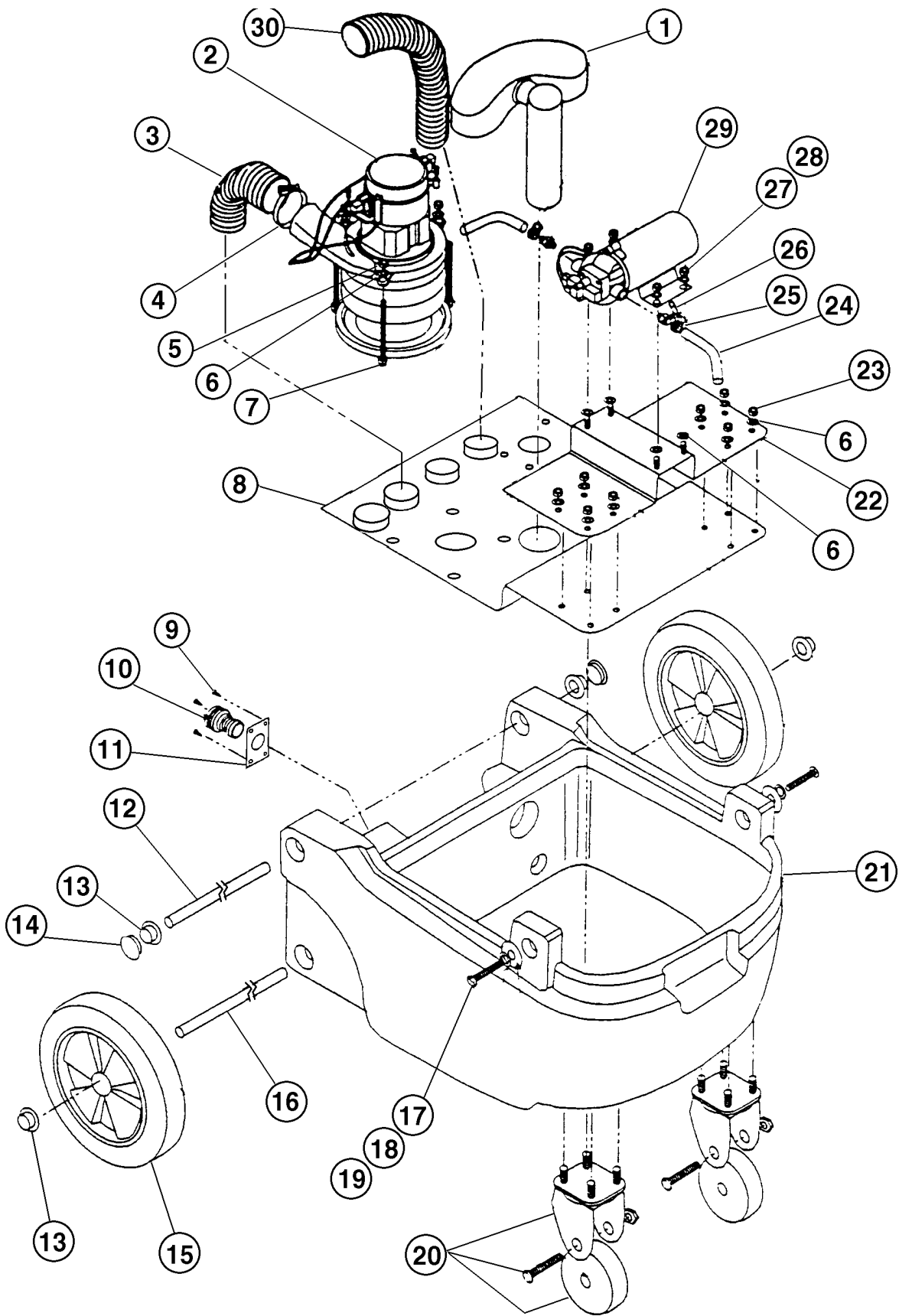
SelecTrac™ 17T / 17THP



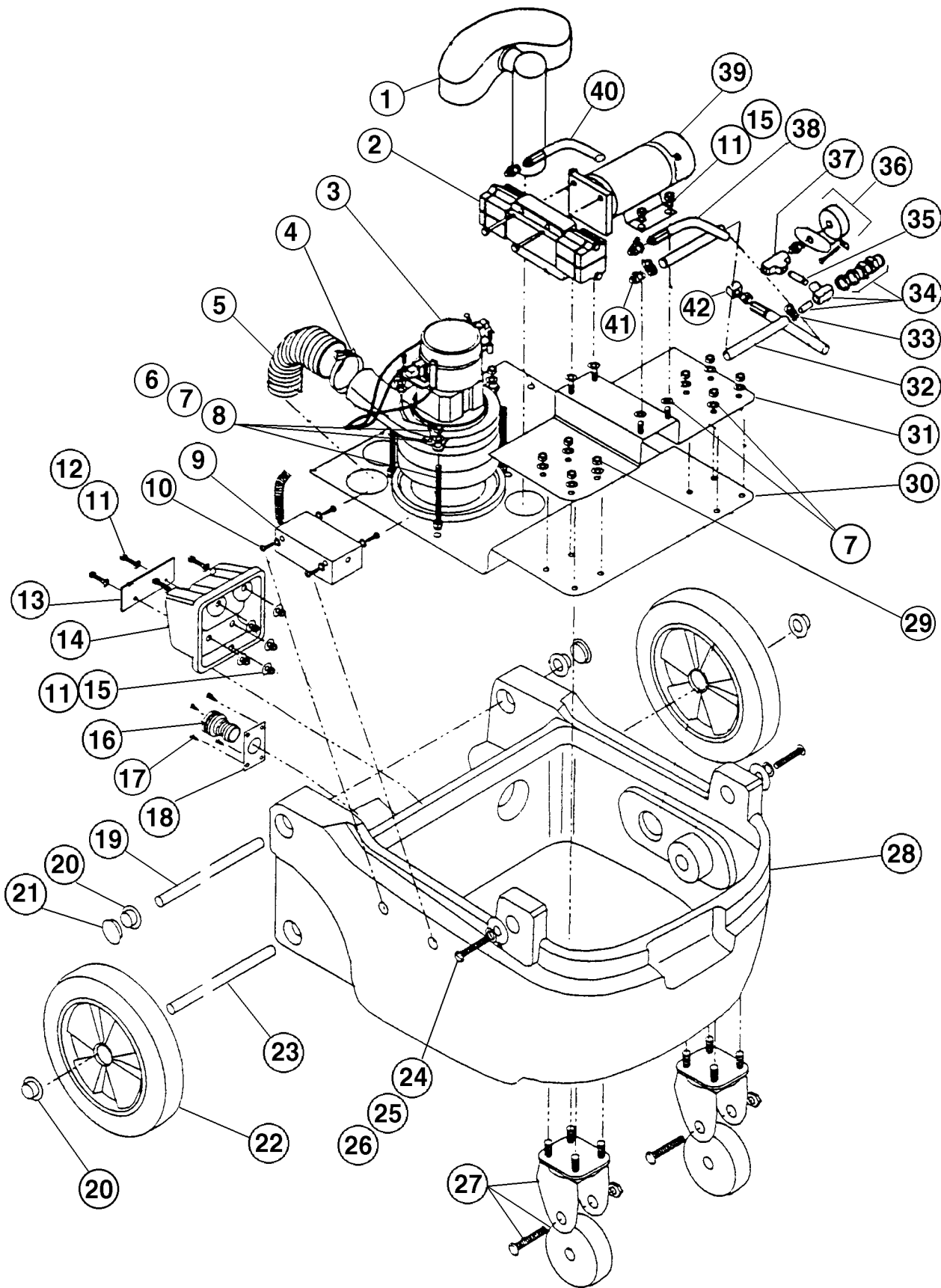
ITEM	REF. NO.	QTY	DESCRIPTION
1	1410709010	3'	HOSE, VACUUM—1.5"
2	1410710010	1	CUFF, HOSE
3	1410711010	4	RIVET—3/16 ALUMINUM
4	1410712010	1	PLATE—LID ADAPTER
5	1410711010	4	RIVET—3/16 ALUMINUM
6	1410713010	1	LID
7	1410714010	1	GASKET, LID—RIGHT SIDE
8	1410715010	1	GASKET, LID—LEFT SIDE
9	1410716010	1	ASM—SCREEN FILTER & CLAMP
10	1410717010	1	DIFFUSER, LID
11	1410718010	1	GASKET, LID—BACK EDGE
12	1410719010	1	HINGE, LID
13	1410720010	1	SHAFT—LID PIVOT
14	1410729010	1	FORK, BLADDER
15	1410721010	1	RING—BLADDER
16	1410704010	1	ASM, BLADDER
17	1410723010	1	RING, INNER—BLADDER
18	1410724010	1	GASKET, BLADDER
19	1410725010	1	RING, OUTER—BLADDER



ITEM	REF. NO.	QTY	DESCRIPTION
1	1410747010	1	HARNESS, SWITCH—KX-17T
1	1410748010	1	HARNESS, SWITCH—KX-17THP
2	1410749010	2	SWITCH, ROCKER—115/230, 20A
3	56628909	1	BRACKET, SW COVER HOLD DOWN
4	1410751010	2	COVER, ROCKER SWITCH
5	56628910	2	SCREW, MACH—8-32 X 3/4L, SS
6	56628911	2	SCREW, SHT METAL—#8 X 1/2L
7	56628912	2	WASHER, STAR—#8
8	56628913	2	LABEL, INSTR—SWITCH
9	1410756010	1	GASKET, SWITCH BRACKET
10	56628914	1	PLATE, SERIAL NO. MOUNTING
11	56628915	4	RIVET, #44
12	56628916	1	PLATE, HEATER MTG—UPPER
13	56628917	6	SCREW, MACH—8/32 X 3/8L
14	56628918	1	LATCH, HEATER MTG
15	1410762010	1	CORD, INPUT—14/3 SJTW, 25 FT
16	1410763010	1	RELIEF, STRAIN
17	56628919	1	COVER, ELECTRICAL BOX
18	1410709010	3'	HOSE, VACUUM—1.5"
19	1410764010	1	CLAMP, HOSE—1-1/4"
20	56628907	4	BOLT, HEX—1/4-20 X 3/4L
21	1410744010	6	BOLT, HEX—1/4-20 X 5/8L
22	1410745010	1	HOSE—3/8" X 5 FT
23	56628933	2	CLAMP, HOSE—5/8"
24	56628908	1	ELBOW, 90 DEG—3/8 MF X 3/8
25	1410765010	2	GASKET—2" OD X 1/8" T
26	1410766010	1	VALVE, DRAIN—1-1/2 S X S
27	1410767010	1	ELBOW, DRAIN VALVE



ITEM	REF. NO.	QTY	DESCRIPTION
1	1410769010	1	MANIFOLD, VAC MOTOR
2	1410770010	1	MTR, VAC—115V,3 STAGE,BP
	56628920	1	MTR,VAC—230V,3 STAGE,BP
3	56628921	1'	HOSE, VACUUM—2"
4	56628922	2	CLAMP, HOSE—2", NYLON
5	56628923	8	NUT, HEX-1/4"
6	56628924	14	WASHER, LOCK—5/16
7	56628925	3	BOLT, HEX—1/4-20 X 5L
8	56628928	1	PLATE, CHASSIS
9	56628917	8	SCREW, MACHINE—8-32 X 3/8L
10	1410790010	1	QUICK DISCONNECT
11	56628932	1	PLATE, MTG—QUICK DISCONNECT
12	56628931	1	SHAFT, PIVOT—MOTOR HOUSING
13	1410777010	4	NUT, PUSH—1/2" CAP
14	1410787010	2	PLUG, HOLE—1"
15	1410781010	2	WHEEL, 10"
16	1410786010	1	AXLE, WHEEL—1/2"
17	56628906	12	WASHER—9/32 X 1-1/4
18	56628930	20	WASHER, FLAT—1/4"
19	1410744010	6	BOLT, HEX—1/4-20 X 5/8L
20	1410783010	2	CASTER, 4" PLATE
21	56628929	1	HOUSING, MOTOR
22	56628927	1	PLATE, PUMP
23	56628926	8	NUT, HEX—5/16
24	1410745010	1	HOSE—3/8" X 5 FT
25	56628933	2	CLAMP, HOSE—5/8"
26	56628934	2	FITTING—3/8 BARB X 3/8 ML PIPE
27	56628930	20	WASHER, FLAT—1/4"
28	56628923	8	NUT, HEX—1/4"
29	1410796010	1	PUMP, 100PSI—115V
29	1410797010	1	PUMP, 100PSI—230V
30	1410709010	3'	HOSE, VACUUM 1-1/2"



ITEM	REF. NO.	QTY	DESCRIPTION
1	1410769010	1	MANIFOLD, VAC MOTOR
2	1410809010	1	PUMP—200 PSI,115V
2	56628937	1	PUMP—200 PSI,230V
3	1410770010	1	MTR, VAC—115V,3 STAGE,BP
3	56628920	1	MTR,VAC—230V,3 STAGE,BP
4	56628922	2	CLAMP, HOSE—2", NYLON
5	56628921	1'	HOSE, VACUUM—2"
6	56628923	8	NUT, HEX-1/4"
7	56628924	14	WASHER, LOCK—5/16
8	56628925	3	BOLT, HEX—1/4-20 X 5L
9	1410811010	1	BOX—PUMP REGULATOR
10	1410812010	6	SCREW, MACH—10-32 X 5/8L
11	56628930	20	WASHER, FLAT—1/4"
12	56628907	4	BOLT, HEX—1/4-20 X 3/4L
13	56628938	1	PLATE, HEATER MTG—LOWER
14	56628939	1	FLANGE, MOUNTING
15	56628923	8	NUT, HEX—1/4"
16	1410790010	1	QUICK DISCONNECT
17	56628917	8	SCREW, MACHINE—8-32 X 3/8L
18	56628932	1	PLATE, MTG—QUICK DISCONNECT
19	56628931	1	SHAFT, PIVOT—MOTOR HOUSING
20	1410777010	4	NUT, PUSH—1/2" CAP
21	1410787010	2	PLUG, HOLE—1"
22	1410781010	2	WHEEL, 10"
23	1410786010	1	AXLE, WHEEL—1/2"
24	56628906	12	WASHER—9/32 X 1-1/4
25	56628930	20	WASHER, FLAT—1/4"
26	1410744010	6	BOLT, HEX—1/4-20 X 5/8L
27	1410783010	2	CASTER, 4" PLATE
28	1410799010	1	HOUSING, MOTOR
29	56628926	8	NUT, HEX—5/16
30	56628928	1	PLATE, CHASSIS
31	56628935	1	PLATE, PUMP
32	1410745010	1	HOSE—3/8" X 5 FT
33	56628933	2	CLAMP, HOSE—5/8"
34	56628936	1	REGULATOR, PRESSURE
35	1410805010	1	NIPPLE, BRASS—2"
36	1410804010	1	GAUGE, PRESSURE
37	1410803010	1	FITTING—3/8 BARB X 1/4 MALE PIPE
38	1410802010	1	HOSE, PULSE
39	1410800010	1	MTR, PUMP—115V
40	1410801010	1	HOSE, PULSE
41	1410808010	1	TEE, FEMALE
42	1410807010	1	ELBOW, 90 DEG—1/4", BRASS



Nilfisk-Advance, Inc.  
14600 21st Avenue North  
Plymouth, MN, 55447-3408  
[www.nilfisk-advance.com](http://www.nilfisk-advance.com)  
Phone: 800-989-2235  
Fax: 800-989-6566  
©2000 Nilfisk-Advance, Inc.,  
Plymouth, MN 55447-3408  
Printed in the U.S.A.