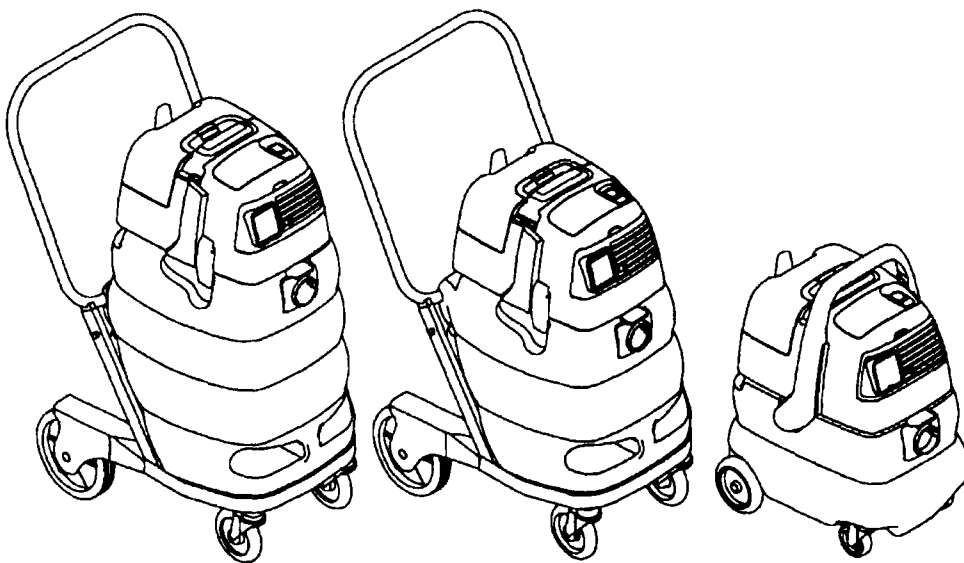


PARTS



WD 225F

WD 245F

WD 260F

SPARE PARTS LIST

Stocks classification

- 1 Indicates parts that are absolutely necessary for maintaining the primary servicing function, as well as accessory-type components.
 - 2 Indicates parts estimated to require a low rate of spare parts availability. On order (are not kept in stock).
- Indicates parts for which spare parts are not normally foreseen.
- The classification list does not include standard parts such as screws, nuts, washers etc.

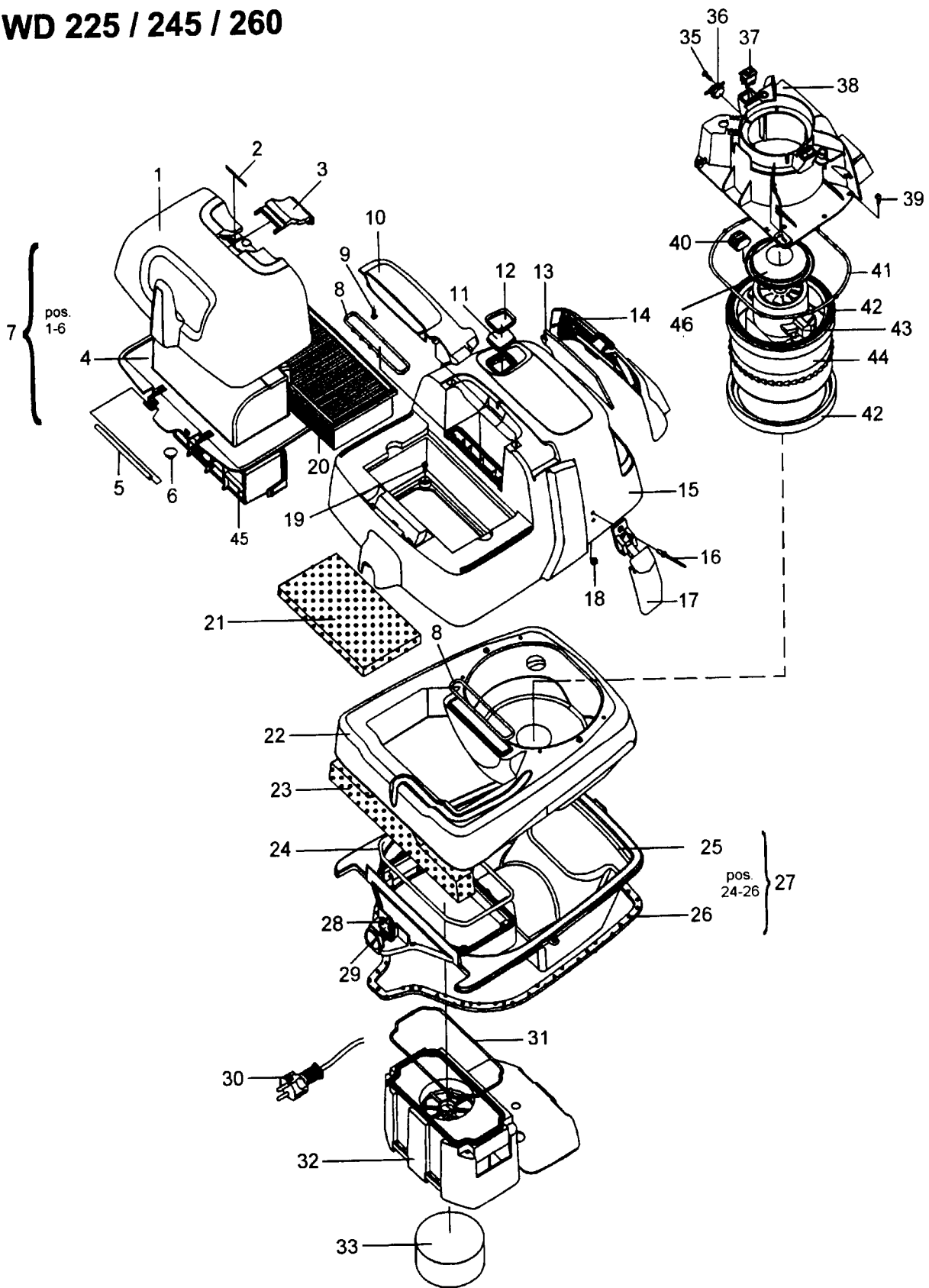
When ordering spare parts always state:

Model • Quantity • Part number • Description

For electrical details also:

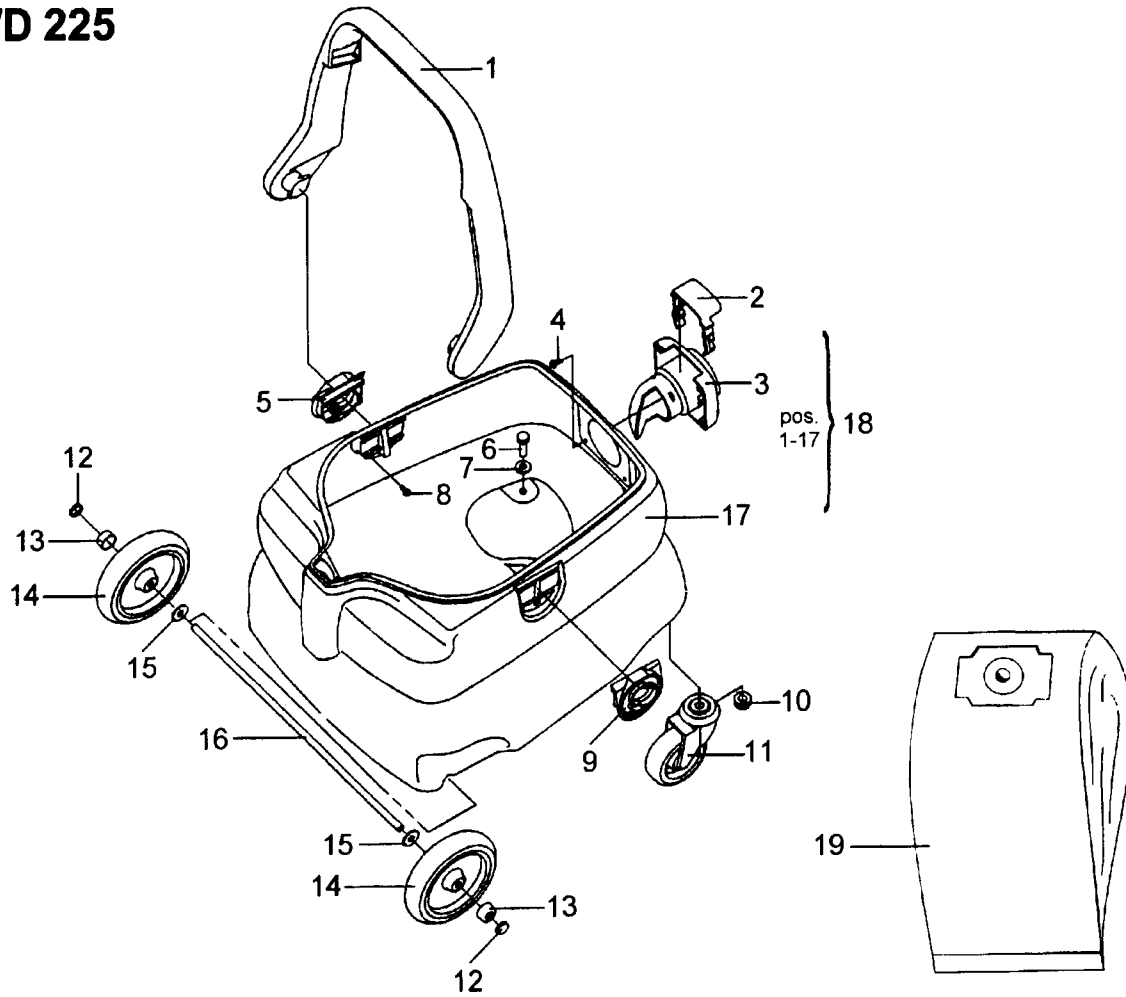
Voltage • Wattage

WD 225 / 245 / 260



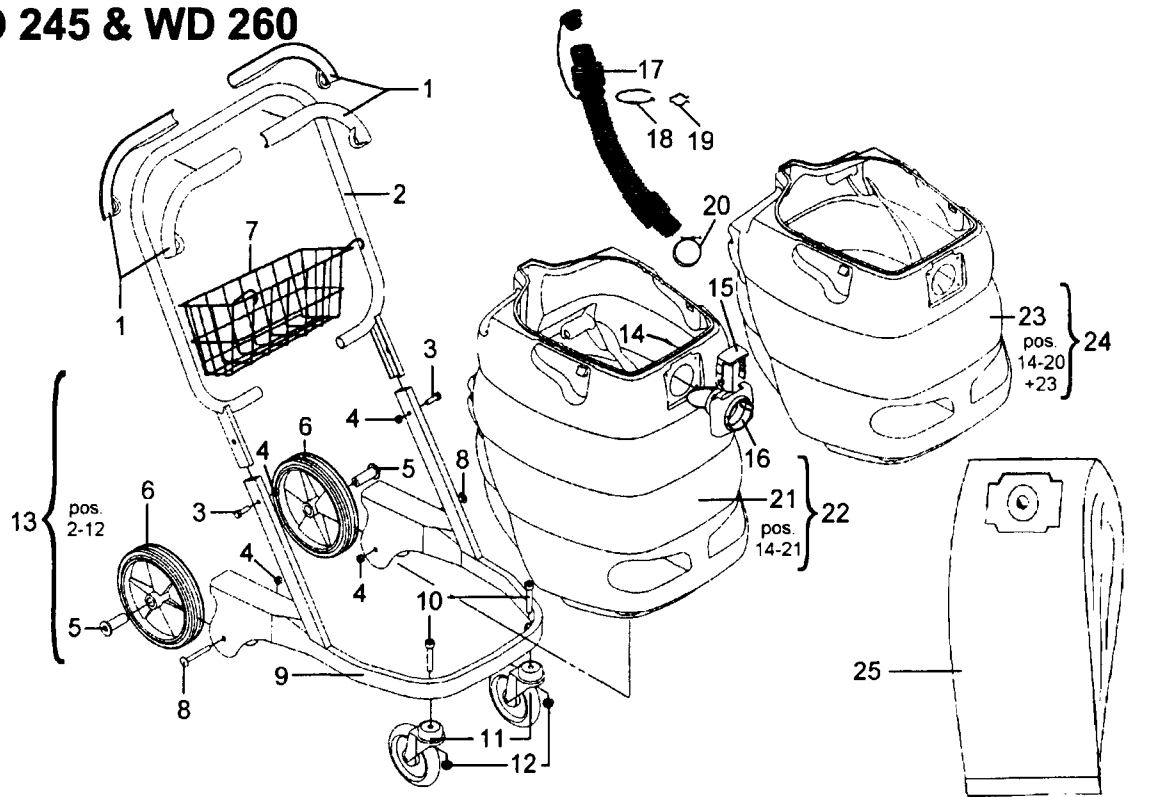
No.	Qty.	Prod.nr.	Description	Stocks class
1	1	140 7236 000	Filter lid	1
2	1	140 7250 000	Spring / Fjäder / Feder	1
3	1	140 7234 000	Lock arm	1
4	1	140 7235 000	Filter holder	1
5	1	140 6936 000	Shaft	1
6	1	140 7372 000	Rubber foot	1
7	1	140 7219 000	Filter lid cpl. pos.1-6	2
8	2	140 7249 000	Sealing ring	2
9	2	140 9214 070	Screw	2
10	1	140 7221 000	Handle	1
11	1	140 7222 040	Protection hood	1
12	1	140 7223 000	Locking ring	1
13	1	140 7231 000	Exhaust filter	1
14	1	140 7232 010	Filter holder	1
15	1	140 7214 080	Cover, KENT WD 245/260	1
15	1	140 7214 011	Cover, KENT 225	1
16	4	140 5694 050	Rivet, only for WD 245/60	-
17	2	140 7608 000	Latch, only for WD 245/60	1
18	4	734 4850 010	Washer	-
19	4	140 9214 150	Screw	2
20	1	140 7215 000	Filter, not for WD 225	1
21	1	140 7258 000	Pre-filter	1
22	1	140 7212 010	Motorbox	2
23	1	140 7253 000	Diffusor	2
24	1	140 7302 010	Sealing ring	1
25	1	140 7211 000	Middle part	1
26	1	140 0061 030	Gasket	1
27	1	140 7248 000	Middle part cpl. pos.24-26	2
28	2	140 9214 040	Screw	1
29	1	056 1014 060	Anti strain clip	1
30	1	140 3859 080	Cord	1
31	1	140 7249 010	Sealing ring	1
32	1	140 7611 000	Float basket	1
33	1	140 8231 000	Float body	1
35	1	140 6843 000	Screw	2
36	1	140 7058 000	Thermal protection	1
37	1	140 7217 000	Switch	1
38	1	140 7213 010	Cover	2
39	4	140 9214 190	Screw	2
40	1	140 7244 010	Connector	2
41	1	140 7225 000	O-ring	2
42	2	140 6909 000	Sealing ring	1
43	2	140 7169 010	Carbon brush	1
44	1	140 7154 020	Fan unit	1
45	1	140 7271 020	Hepa filter (Accessory)	1
46	1	140 7209 000	Extract damping	1

WD 225



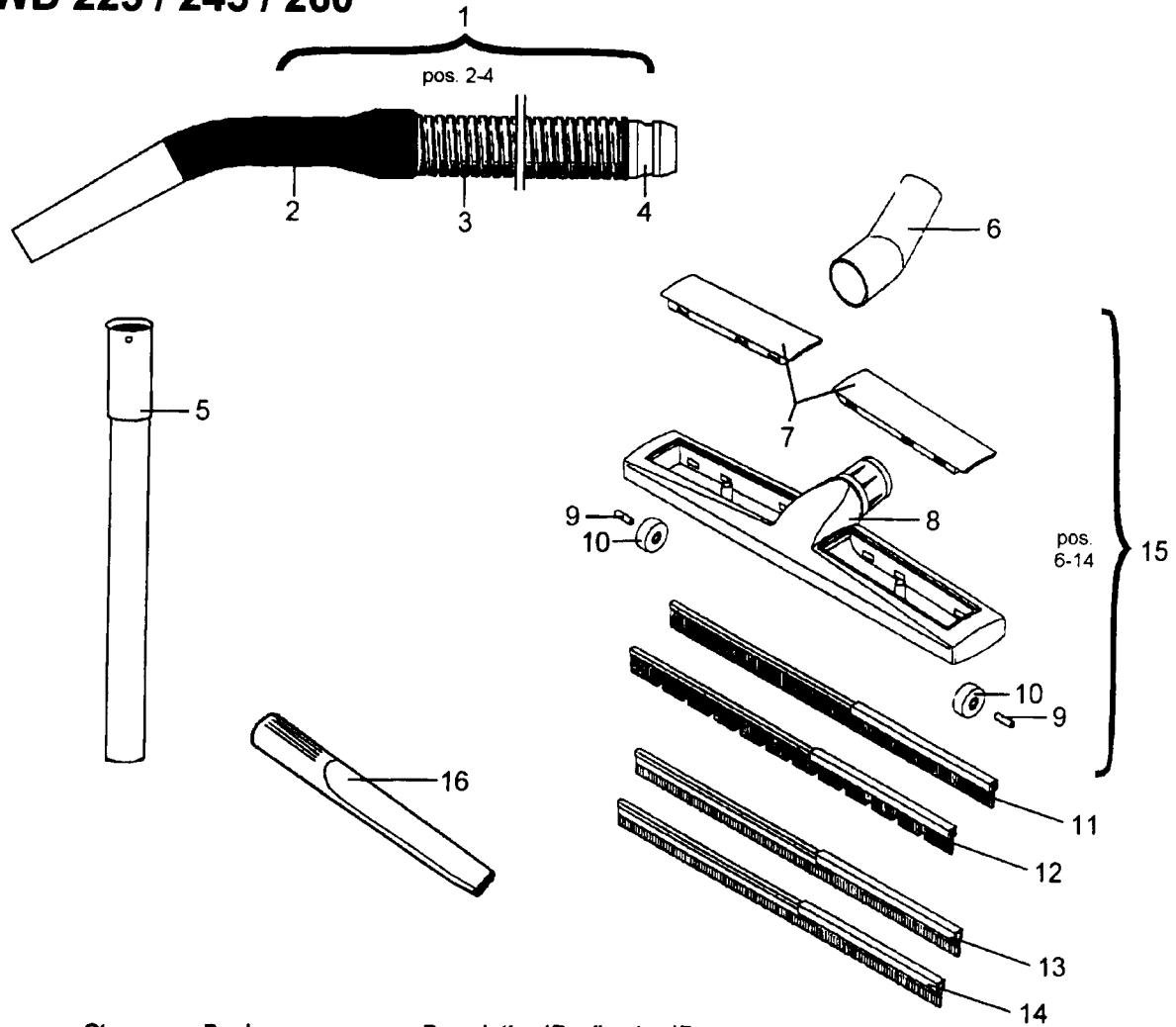
No.	Qty.	Prod.nr.	Description / Benämning / Benennung	Stocks class
1	1	140 7206 000	Handle	1
2	1	140 7205 000	Trigger	1
3	1	140 7204 000	Inlet	1
4	4	140 9214 010	Screw	2
5	1	140 7207 010	Bracket, left	2
6	2	725 2453 400	Screw	2
7	2	734 1164 090	Washer	2
8	6	140 9214 000	Screw	2
9	1	140 7207 000	Bracket, right	2
10	2	140 7594 000	Nut	2
11	2	140 5476 020	Link wheel	1
12	2	140 5058 000	Lock washer	1
13	2	140 5057 000	Protection washer	1
14	2	140 7592 000	Wheel	1
15	2	734 1822 510	Washer	2
16	1	140 5059 010	Shaft	1
17	1	140 7203 000	Tank 25L	1
18		140 7202 000	Tank cpl. pos.1-17	2
19		140 7208 000	Dust bag 1 pc.	1
20	1	140 7629 010	Floor nozzle	1

WD 245 & WD 260



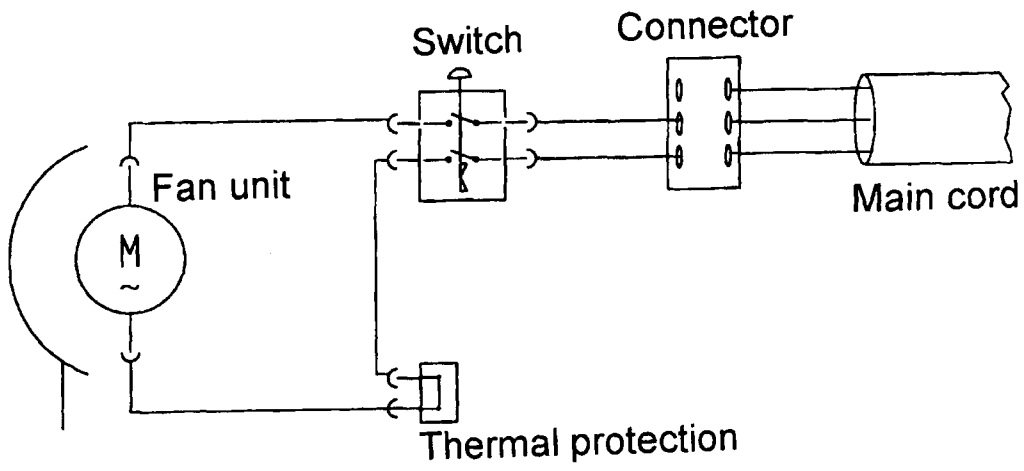
No.	Qty.	Prod.nr.	Description/Benämning/Benennung	Stocks class
1	2	140 7624 000	Rubber handle (Accessory)	2
2	1	140 7619 000	Handle	1
3	2	725 2448 510	Screw	1
4	4	732 2118 010	Locking nut	1
5	2	140 7622 000	Spacer	1
6	2	140 8156 000	Wheel	1
7	1	140 4807 010	Basket (Accessory)	1
8	2	727 6464 010	Bolt	1
9	1	140 7609 000	Bracket	1
10	2	725 5502 010	Screw	1
11	2	140 4664 000	Link wheel	1
12	2	732 2120 010	Locking nut	1
13		140 7610 000	Trolley cpl. pos.2-12	2
14	4	140 9214 010	Screw	1
15	1	140 7205 010	Trigger	1
16	1	140 7204 010	Inlet	1
17	1	140 7604 000	Drain hose	1
18	1	465 0225 040	Plastic strip	1
19	1	140 7623 000	Hose holder	1
20	1	140 7636 000	Hose clamp	1
21	1	140 7603 000	Tank 60L	1
22		140 7602 000	Tank 60L cpl. pos.14-21	2
23	1	140 7601 000	Tank 45L	1
24		140 7600 000	Tank 45L cpl. pos.14-20+23	2
25		140 7633 000	Dust bag 1 pc. WD 245/60 (Accessory)	1
	1	140 7629 010	Floor nozzle	1

WD 225 / 245 / 260



No.	Qty.	Prod.nr.	Description/Benämning/Bennennung	Stocks class
1	1	140 4001 010	Hose cpl.	1
2	1	140 5132 000	Hose handle cpl.	1
3	1	140 2148 060	Hose only 2,5m	1
4	1	140 3304 030	Inlet	1
5	2	011 6451 010	Extension tube	1
6	1	145 0772 000	Swivel elbow	2
7	2	145 0773 000	Cover	2
8	1	145 0774 000	Base unit	2
9	2	145 0776 000	Shaft	2
10	2	145 0775 000	Roll	2
11	1	145 0777 000	Brush strip, rear	1
12	1	145 0778 000	Brush strip, front	1
13	1	145 0779 000	Rubber strip, front	1
14	1	145 0780 000	Rubber strip, rear	1
15	1	140 7629 000	Wet nozzle cpl. pos 6-14	
15	1	140 7629 010	Floor nozzle	1
16		140 8258 000	Crevice nozzle, aluminium(Accessory)	1
		010 8738 020	Crevice nozzle, plastic (Accessory)	1

Wiring diagram



Electrolux Euroclean AB
P.O. Box 127, S-662 23 Åmal, Sweden
Telephone +46 532 17500
Telefax +46 532 71913

822 9370 010 Edition 1 / 9807