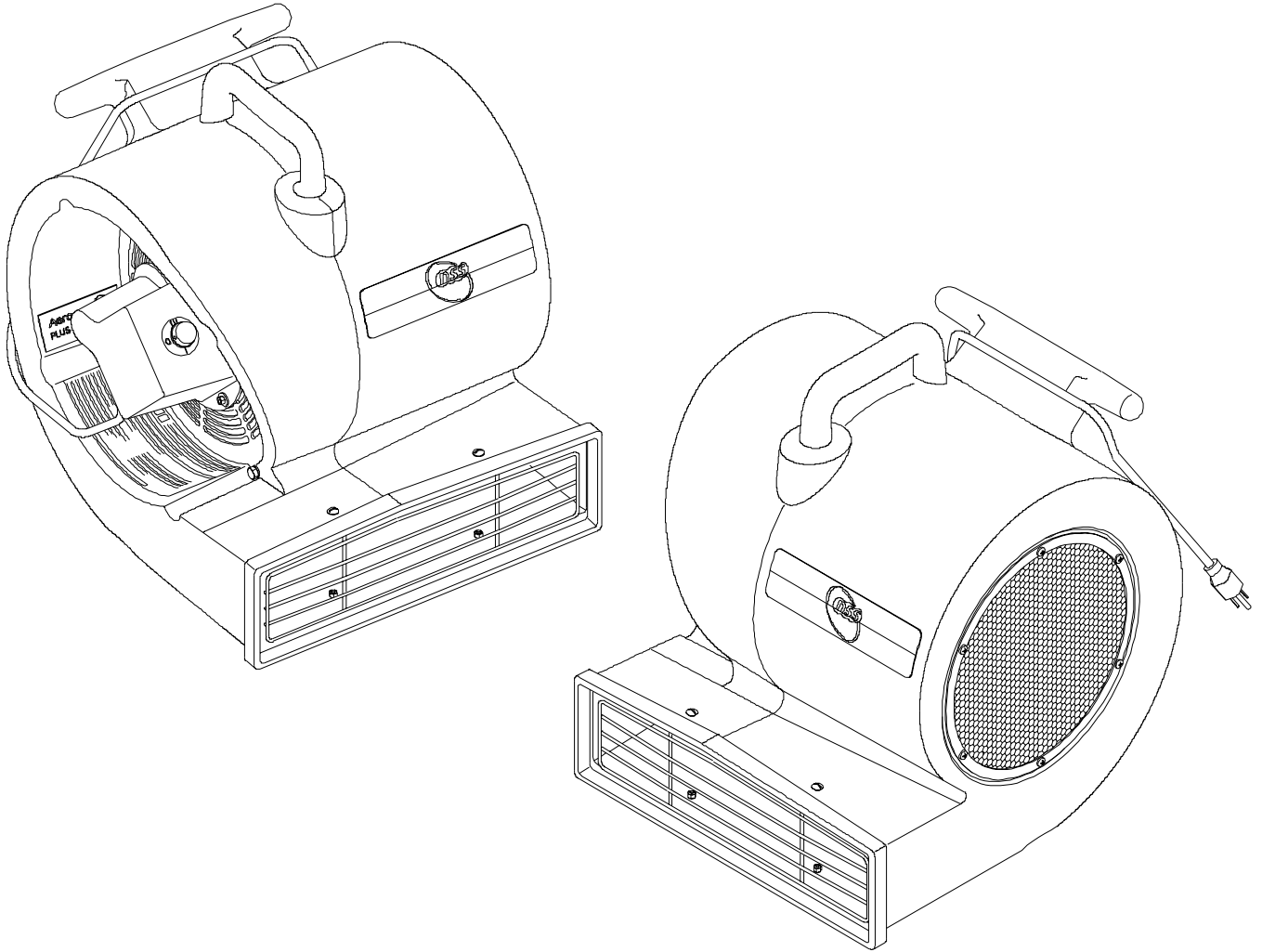
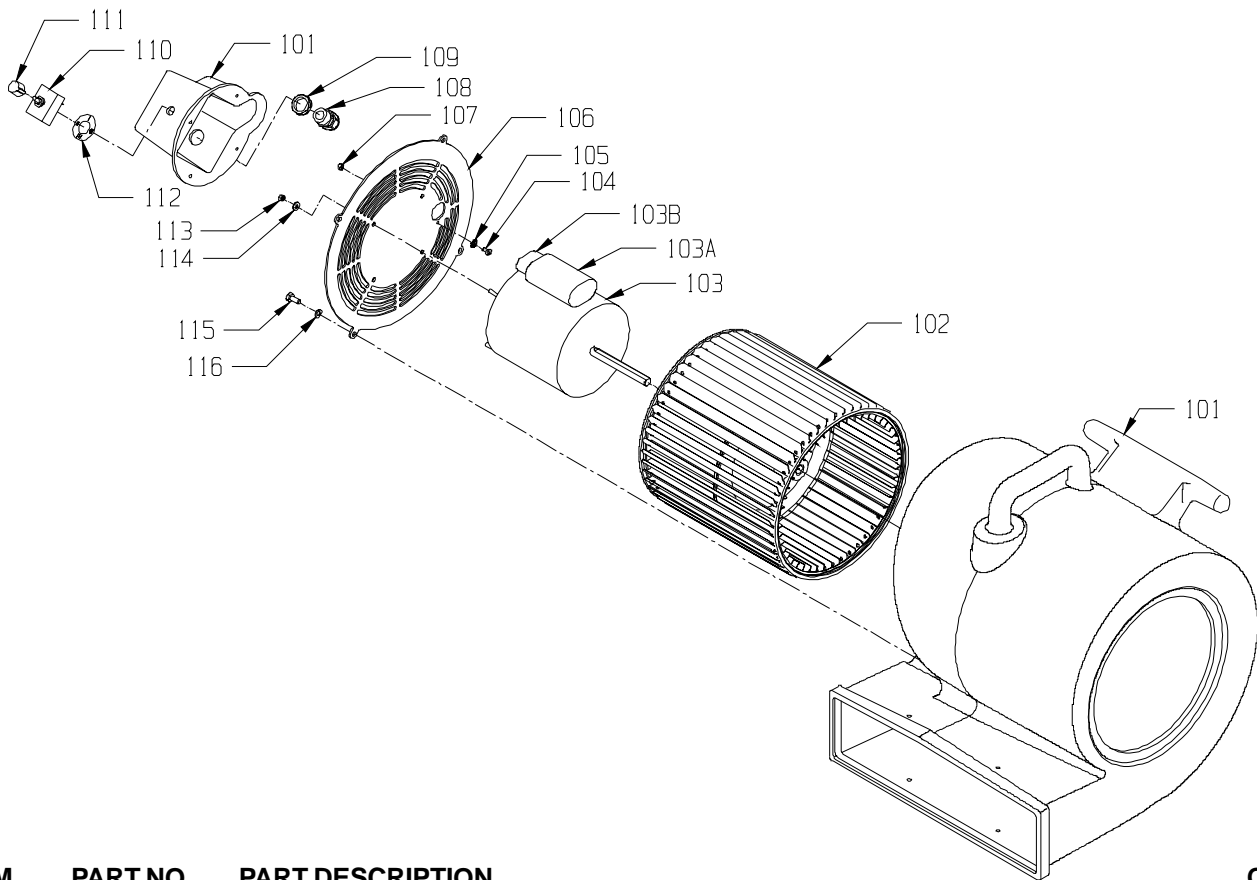


PARTS LIST  
**AERO PLUS**

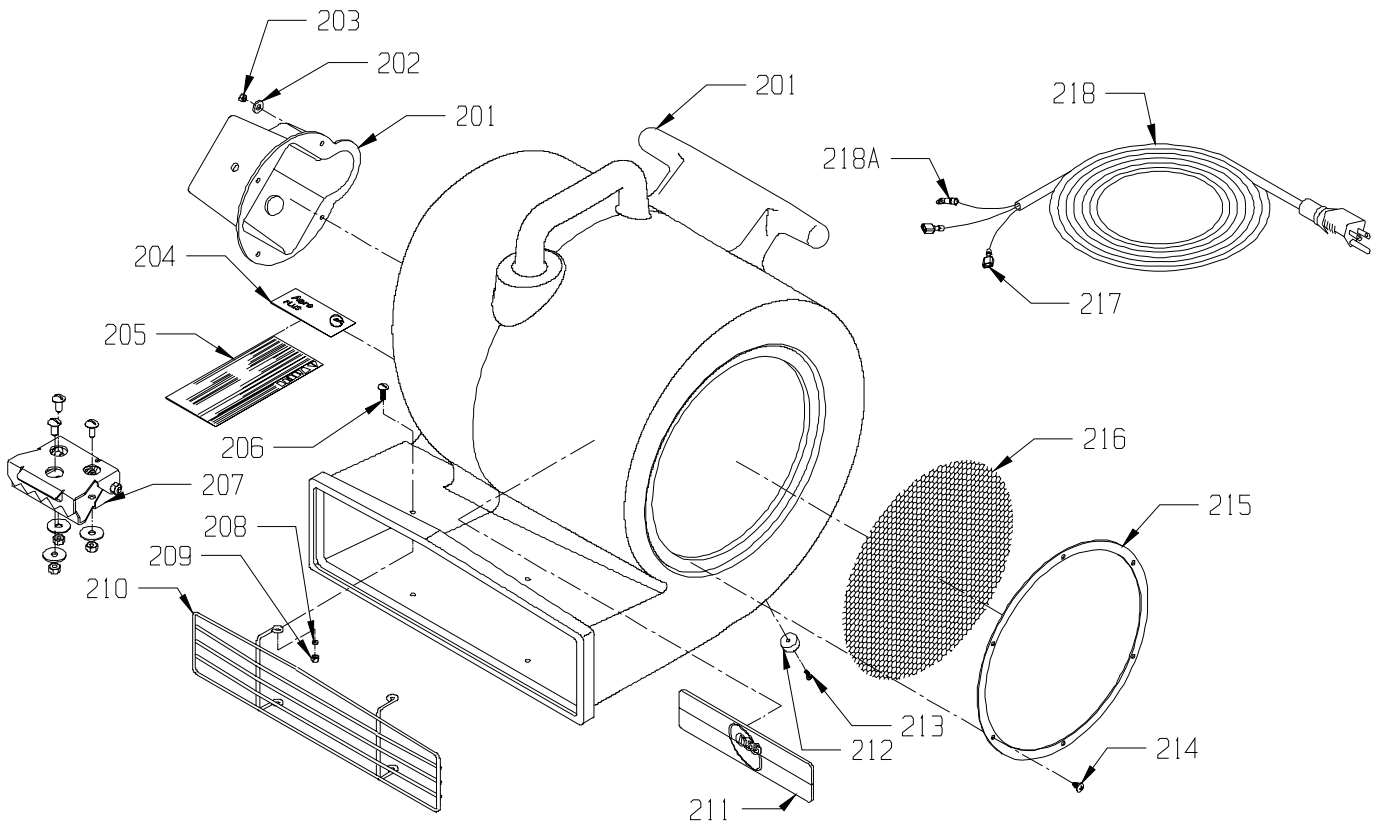


## INTERNAL COMPONENTS



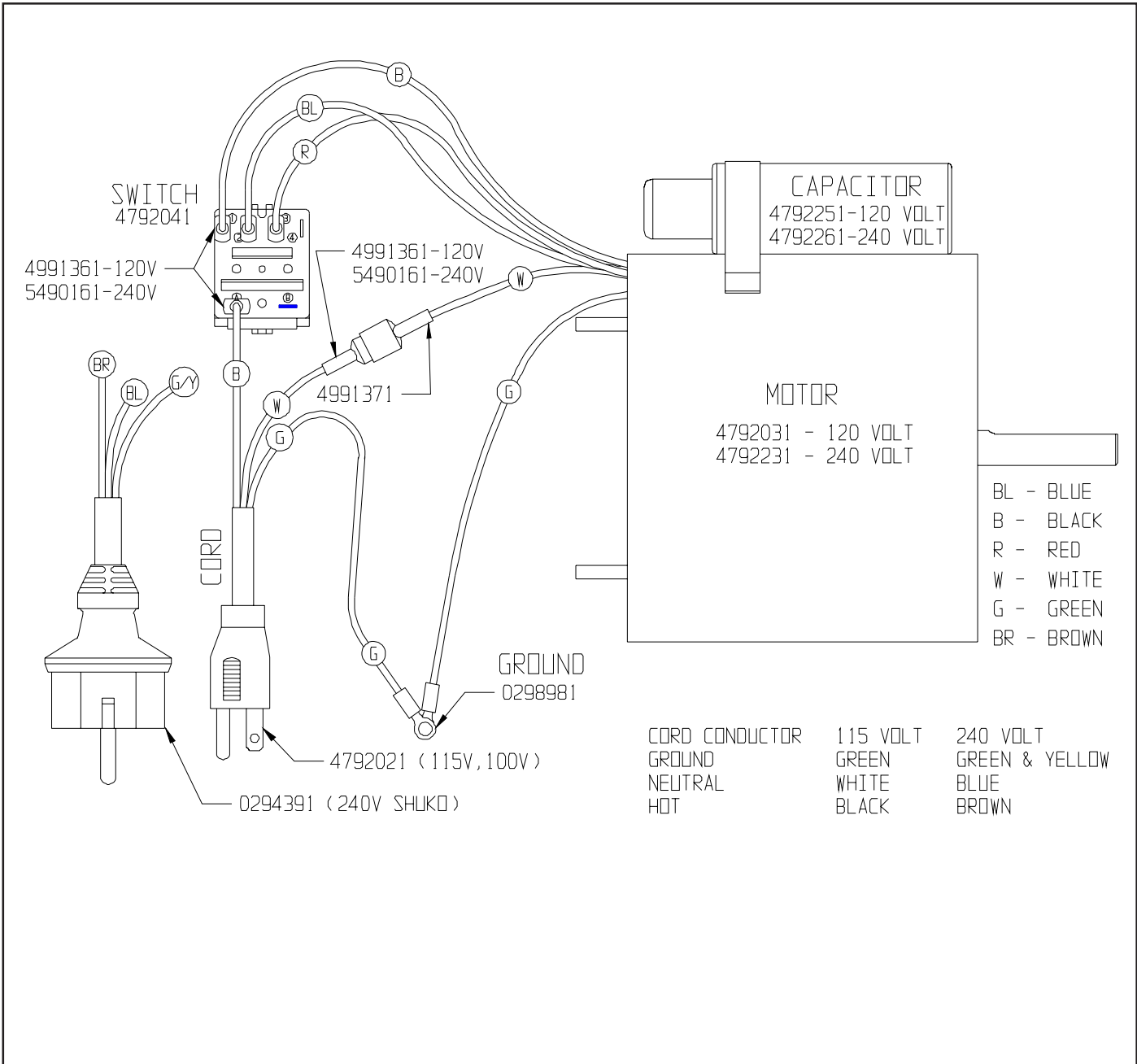
ITEM	PART NO.	PART DESCRIPTION	QTY
101	4792011	HOUSING, CENTRIFUGAL BLOWER AND SWITCH COVER	1
102	4792051	CENTRIFUGAL DOUBLE INLET IMPELLER WHEEL	1
103	4792031	MOTOR - 120 VOLT - 3 SPEED - 1/2 HP - INCLUDES:	1
103A	4792251	CAPACITOR - 120 VOLT	1
103B	4792281	CAPACITOR BOOT	1
103C	4991361	FULLY INSULATED FEMALE TERMINAL 18 - 22 GAGE	3
103D	0298981	# 10 RING TERMINAL 14-16 GAGE	1
103E	4991371	FULLY INSULATED MALE TERMINAL - 18-22 GAGE	1
103	4792231	MOTOR - 240 VOLT - 3 SPEED - 1/3 HP - INCLUDES:	1
103A	4792281	BOOT - CAPACITOR	1
103B	4792261	CAPACITOR - 240 VOLT	1
103C	4991361	FULLY INSULATED FEMALE TERMINAL 18 - 22 GAGE	3
103D	0298981	# 10 RING TERMINAL 14-16 GAGE	1
103E	4991371	FULLY INSULATED MALE TERMINAL - 18-22	1
104	9120520	10-24 X 5/8 TRUSS HEAD PHILLIPS MACHINE SCREW - PACK OF 10	1
105	9120330	# 10 EXTERNAL STAR LOCK WASHER - PACK OF 10	1
106	4792061	MOTOR MOUNT PLATE	1
107	9120360	10-24 HEX NUT WITH STAR LOCK WASHER - PACK OF 10	1
108	3190381	STRAIN RELIEF - NON-FLEXIBLE	1
109	0891131	PLASTIC STRAIN RELIEF NUT	1
110	4792041	SWITCH - 4 POSITION - ON / OFF / MEDIUM / LOW	1
111	5490131	KNOB - INCLUDES:	1
111A	9120170	8-32 X 3/16 SET SCREW - KNURL POINT	1
112	4792341	SPEED CONTROL DECAL	1
113	9120660	10-32 HEX NUT WITH NYLOK INSERT - PACK OF 10	4
114	9120370	7/32 I.D. X 1/2 O.D. X .032/.065 THICK FLAT WASHER # 10 - PACK OF 10	4
115	9121210	1/4-20 X 5/8 HEX BOLT - PACK OF 10	4
116	9120880	1/4 SPLIT LOCK WASHER - PACK OF 10	4

## EXTERNAL COMPONENTS



ITEM	PART NO.	PART DESCRIPTION	QTY.
201	4792011	HOUSING, CENTRIFUGAL BLOWER AND SWITCH COVER	1
202	9120370	7/32 I.D. X 1/2 O.D. X .032/.065 THICK FLAT WASHER # 10 - PACK OF 10	4
203	9120660	10-32 HEX NUT WITH NYLOK INSERT - PACK OF 10	4
204	4792351	IDENTIFIER DECAL - AERO	1
205	4792331	WARNING DECAL	1
206	9120520	10-24 X 5/8 TRUSS HEAD PHILLIPS MACHINE SCREW - PACK OF 10	4
207	4792169	CARPET CLAMP ASSEMBLY - OPTIONAL	1
208	9120370	7/32 I.D. X 1/2 O.D. X .032/.065 THICK FLAT WASHER # 10 - PACK OF 10	4
209	9120350	10-24 HEX NUT WITH NYLOK INSERT - PACK OF 10	4
210	4792151	GRILL - OUTLET	1
211	4792321	2 X 8 FRONT DECAL	1
212	6793371	RUBBER FOOT	2
213	9120205	8 X 1/2 PAN HEAD PHILLIPS SHEET METAL SCREW - PACK OF 3	2
214	9120785	10 X 3/8 PAN HEAD PHILLIPS SHEET METAL SCREW - PACK OF 10 - PACK OF 6	6
215	4792291	LEFT INLET PLATE GUARD RING	1
216	4792071	PLATE - LEFT INLET	1
217	4991361	FULLY INSULATED FEMALE TERMINAL 18 - 22 GAGE - 120 VOLT	2
217	5490161	FULLY INSULATED FEMALE TERMINAL 14-16 GAGE - 240 VOLT	2
218	4792021	CORD - 120 VOLT - 18/3 - 25 FEET	1
218	0294391	SHUKO CORD - 240 VOLT - 50 FEET	1
218A	0298981	# 10 RING TERMINAL 14-16 GAGE	1

# WIRING DIAGRAM



## NSS® Enterprises, Inc.

3115 Frenchmens Road, Toledo, Ohio 43607  
PHONE (419) 531-2121 FAX (419) 531-3761

**NSS® Enterprises, Inc. European Distribution Centre**  
Unit II, Pinfold Trading Estate \* 55 Nottingham Road  
STAPLEFORD, NOTTINGHAM NG9 8AD ENGLAND U.K.  
PHONE: (44) 0115 939 1568 \* FAX: (44) 0115 949 0615