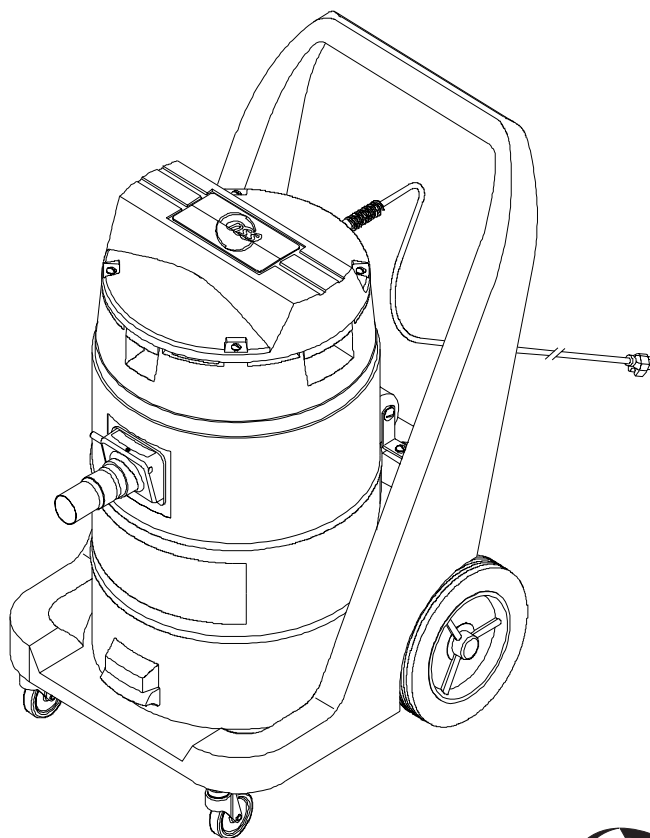
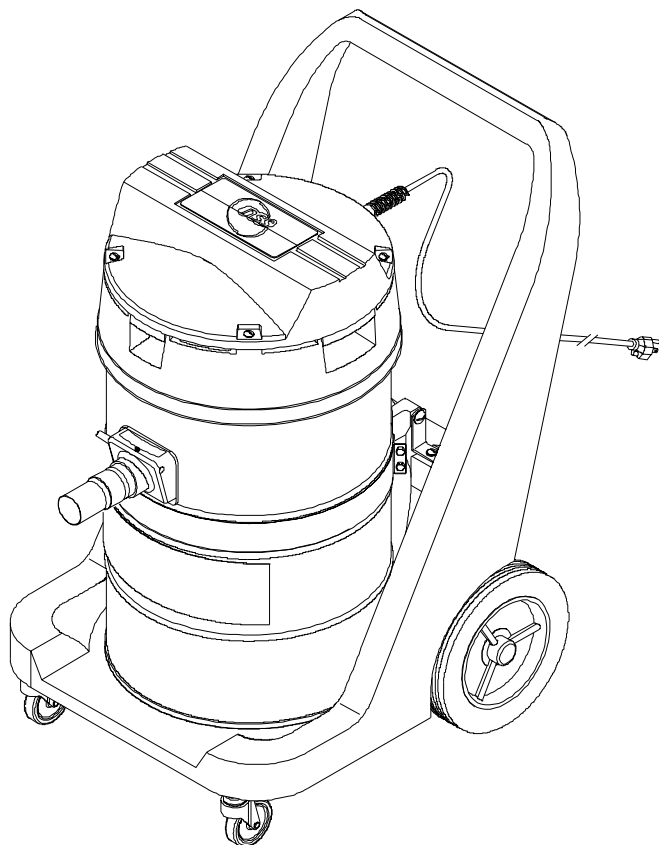
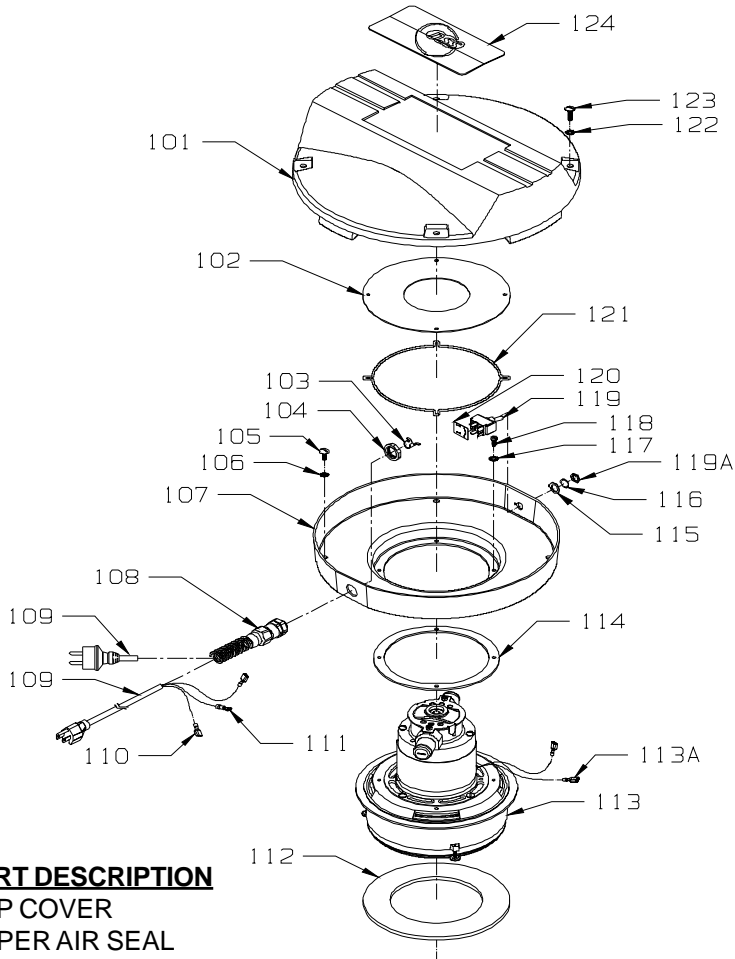


PARTS LIST
BP RANGER 1250 & 1450

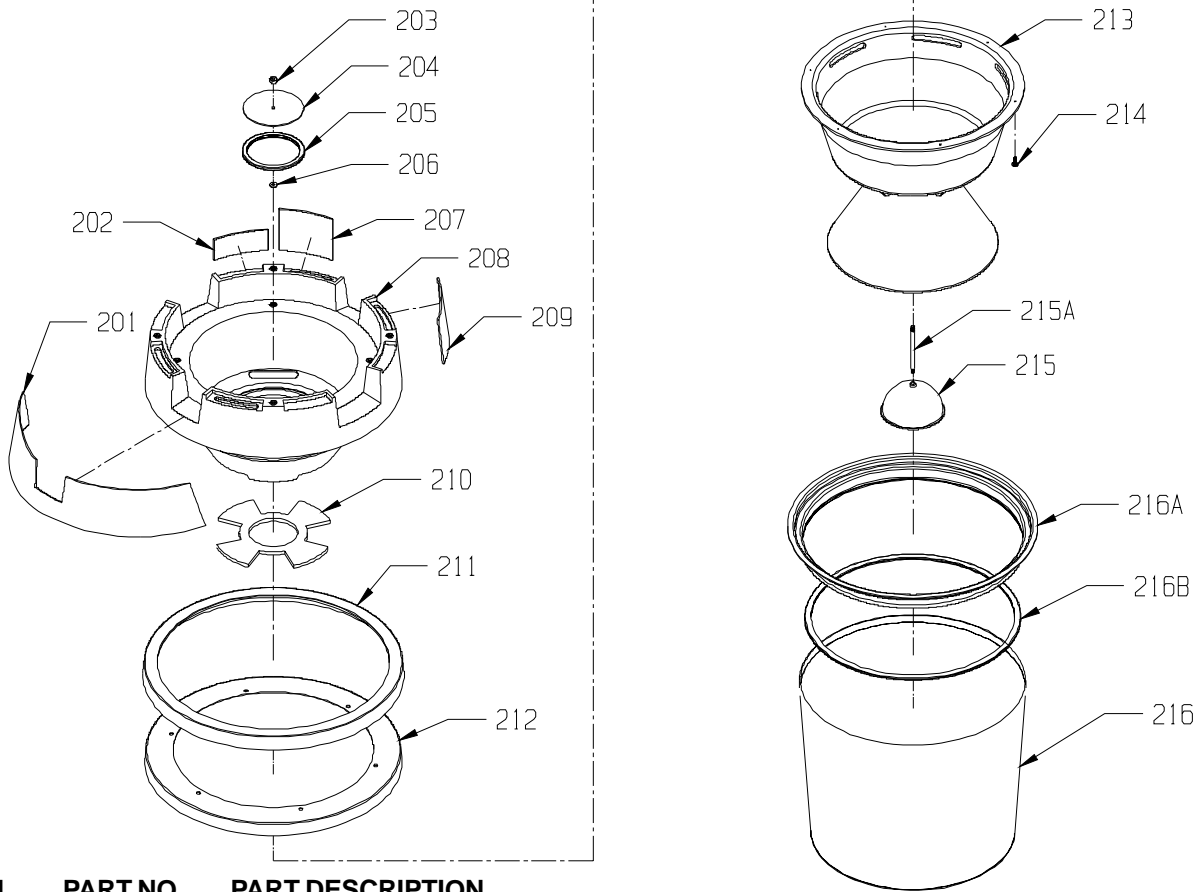


MOTOR / LID



<u>ITEM</u>	<u>PART NO.</u>	<u>PART DESCRIPTION</u>	<u>QTY.</u>
101	0891001	TOP COVER	1
102	0798691	UPPER AIR SEAL	1
103	0299661	STRAIN RELIEF CORD CLAMP	1
104	0891131	STRAIN RELIEF NUT	1
105	9121040	1/4-20 X 5/8 ROUND HEAD PHILLIPS MACHINE SCREW	4
106	9120970	1/4-20 EXTERNAL STAR LOCK WASHER	4
107	0891031	AIR SEPARATOR	1
108	0299531	STRAIN RELIEF	1
109	0693231	CORD - 120 VOLT - STWA - 50 FT.	1
109	0294391	SHUKO CORD - 240 VOLT - 50 FT.	1
110	5490161	FULLY INSULATED FEMALE TERMINAL 14-16 GAGE	2
111	0298981	#10 RING TERMINAL 14-16 GAGE	1
112	0891081	LOWER SEAL GASKET	1
113	0891169	VAC MOTOR AND FAN ASSEMBLY 115 VOLT - INCLUDES:	1
113A	5490161	FULLY INSULATED FEMALE TERMINAL 14-16 GAGE	2
113	0891159	VAC MOTOR AND FAN ASSEMBLY 240 VOLT - INCLUDES:	1
113A	5490161	FULLY INSULATED FEMALE TERMINAL 14-16 GAGE	2
114	0799201	GASKET	1
115	4691621	SWITCH LOCK RING	1
116	0691851	1/2 INTERNAL STAR LOCK WASHER	1
117	9120330	#10 EXTERNAL STAR LOCK WASHER	4
118	9120790	10 X 5/8 PAN HEAD PHILLIPS SHEET METAL SCREW	4
119	0891141	TOGGLE SWITCH - INCLUDES:	1
119A	0798941	9/16" HEX NUT	1
120	0892141	TOGGLE SWITCH INSULATOR	1
121	0798716	SEALING RING	1
122	9120970	1/4-20 EXTERNAL STAR LOCK WASHER	4
123	9121020	1/4-20 X 1 TRUSS HEAD PHILLIPS MACHINE SCREW	4
124	0892401	CLOUD BURST DECAL - 3 3/4 X 8	1

POWER HEAD

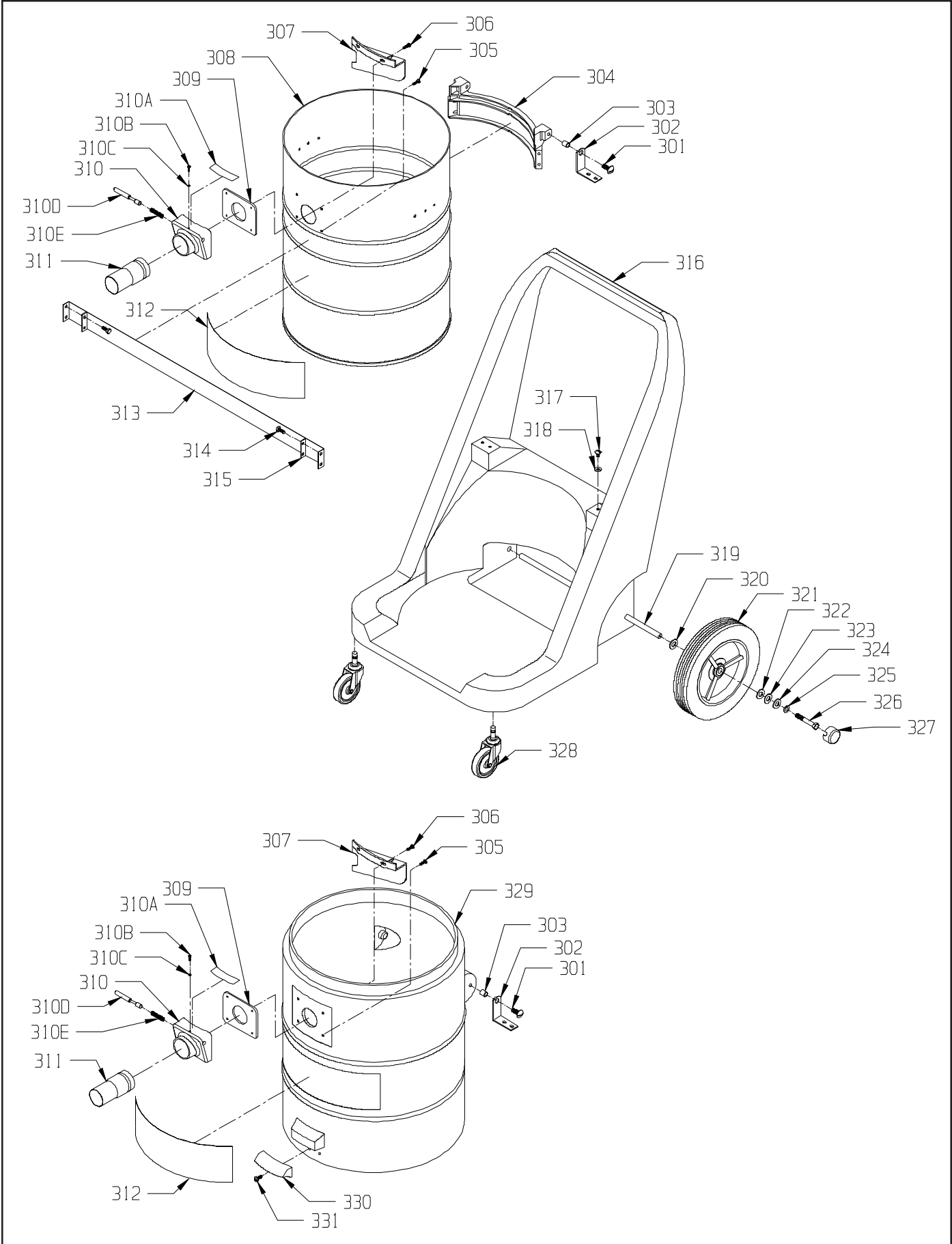


ITEM	PART NO.	PART DESCRIPTION	QTY.
201	0892501	FRONT DECAL - 1.4 X 21.5 ON 97° RADIUS	1
202	0892361	NAME IDENTIFIER DECAL - 1250 - ONLY	1
	0892371	NAME IDENTIFIER DECAL - 1450 - ONLY	1
203	9220350	10-24 HEX NUT WITH NYLOK INSERT	1
204	0691271	FLOAT DISC	1
205	0691261	FLOAT DISC GASKET	1
206	9120370	7/32 I.D. X 1/2 O.D. X .032/.065 THICK FLAT WASHER - #10	1
207	0190911	GROUNDING LABEL - 120 VOLT ONLY	1
	0190921	ICON ADAPTOR LABEL - 240 VOLT ONLY	1
208	0891011	FLOAT SUPPORT	1
209	0190901	WARNING LABEL - 120 VOLT ONLY	1
210	0891071	FLOAT STAND GASKET	1
211	0891061	LID GASKET	1
212	0891053	LID GASKET SUPPORT	1
213	0891021	FLOAT STAND	1
214	9120790	10 X 5/8 PAN HEAD SHEET METAL SCREW	6
215	0690319	FLOAT AND STEM ASSEMBLY - INCLUDES:	1
215	0690311	FLOAT	1
215A	0690811	FLOAT STEM	1
	0891939	DYNEL FILTER ASSEMBLY - INCLUDES:	1
216	0691911	DYNEL BAG - CLOTH	1
216A	0690341	BAG RING ONLY	1
261B	0691751	BAG GASKET	1
	0891949	BLUE FILTER BAG ASSEMBLY - OPTIONAL - INCLUDES:	1
216	0691921	BLUE CLOTH FILTER BAG	1
216A	0690341	BAG RING ONLY	1
216B	0691751	BAG GASKET	1

CONTAINERS WITH TIP BASES

<u>ITEM</u>	<u>PART NO.</u>	<u>PART DESCRIPTION</u>	<u>QTY.</u>
301	9122040	3/8-16 X 1 ROUND HEAD PHILLIPS MACHINE SCREW	2
302	0891623	PIVOT BRACKET	2
303	0290971	SPACER	2
304	0690325	HINGE BRACKET - 1250 ONLY	1
305	9120620	10-24 X 3/4 PAN HEAD THREAD CUTTING SCREW	2
306	9120630	10-24 X 7/8 PAN HEAD THREAD CUTTING SCREW	2
307	0297101	BAFFLE - INTAKE	1
308	0690375	12.5 GALLON CAN - STAINLESS STEEL - 1250 ONLY	1
	0297029	INTAKE ASSEMBLY AND GASKET - INCLUDES:	1
309	4690531	INTAKE GASKET	1
	0297019	INTAKE ASSEMBLY - INCLUDES:	1
310	0297015	INTAKE ONLY	1
310A	0892441	BAG INSTRUCTION LABEL	1
310B	9120230	8-32 X 1/2 PAN HEAD PHILLIPS MACHINE SCREW	1
310C	9120200	8 SPLIT WASHER	1
310D	0299271	PLUNGER PIN	1
310E	0299261	PLUNGER SPRING	1
311	2590801	HOSE COUPLING	1
312	4792321	FRONT DECAL - 2 X 7	1
313	0690522	BAND CLAMP - 1250 ONLY	1
314	9121250	1/4-20 X 3/4 HEX BOLT WITH NYLON PATCH - 1250 ONLY	4
315	0690532	BAND CLAMP PLATE - 1250 ONLY	2
316	0891661	TIP BASE	1
317	9121090	1/4-20 X 1/2 TRUSS HEAD PHILLIPS MACHINE SCREW	4
318	9120970	1/4 EXTERNAL STAR LOCK WASHER	4
319	0891611	AXLE	1
320	5390811	1/2 I.D. X 1 O.D. X .07 THICK FLAT WASHER - NYLATRON	2
321	4892731	10 INCH WHITE PLASTIC WHEEL	2
322	5390811	1/2 I.D. X 1 O.D. X .07 THICK FLAT WASHER - NYLATRON	2
323	9122465	.516 I.D. X .813 O.D. X .027/.030 THICK FLAT WASHER	2
324	9120930	9/32 I.D. X 5/8 O.D. X .051/.080 THICK FLAT WASHER (1/4)	2
325	9120880	1/4 SPLIT LOCK WASHER	2
326	9121210	1/4-20 X 5/8 HEX BOLT	2
327	0599311	HUBCAP - PLASTIC	2
328	0290491	CASTER	2
329	0891501	14.5 GALLON CAN - 1450 ONLY	1
330	0798685	HANDLE - 1450 ONLY	1
331	9120540	10-24 X 1/2 FLAT HEAD PHILLIPS MACHINE SCREW - 1450 ONLY	3

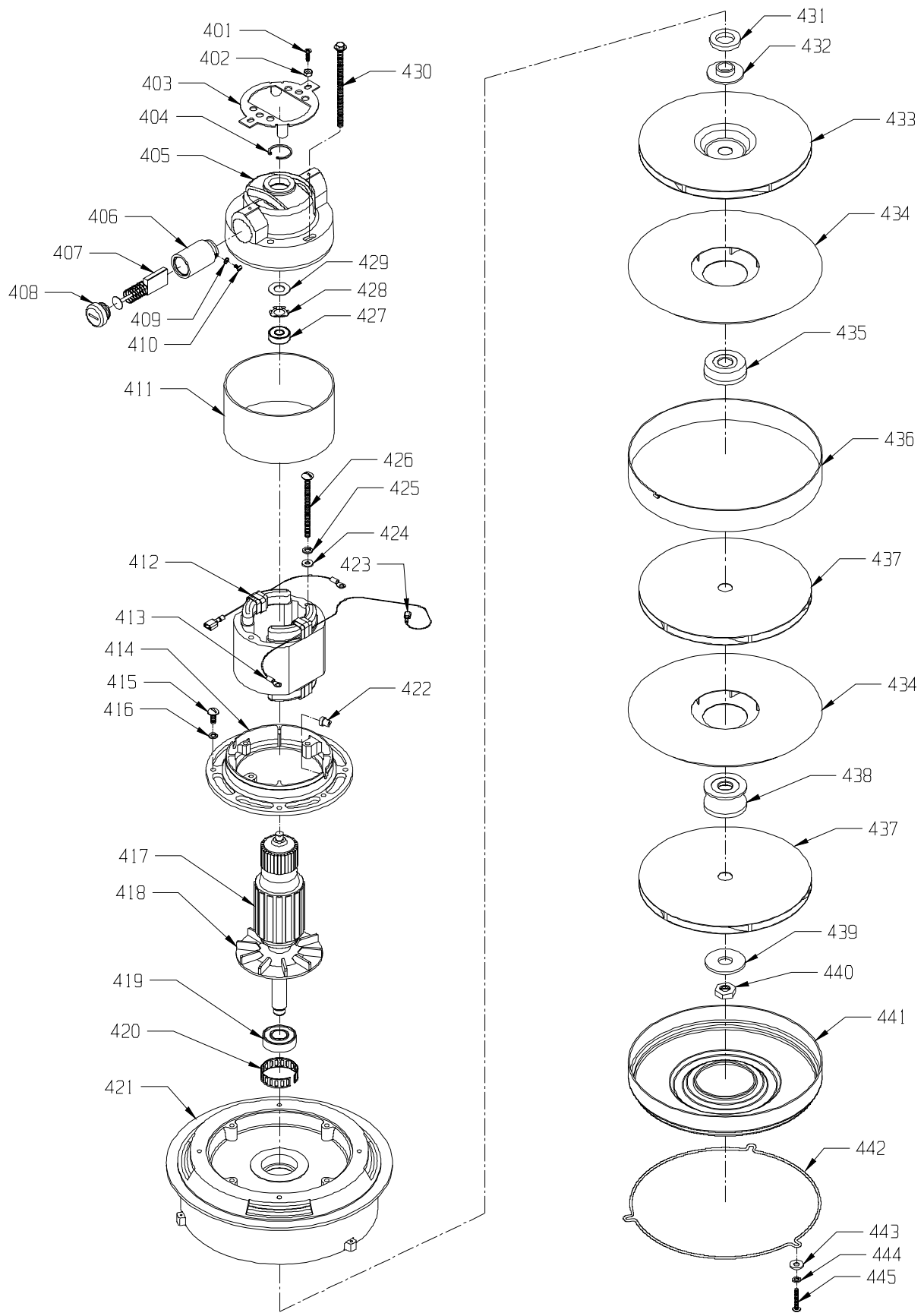
CONTAINERS WITH TIP BASES



MOTOR

ITEM	PART NO.	PART DESCRIPTION	QTY.
401	9120260	8-32 X 3/4 ROUND HEAD PHILLIPS MACHINE SCREW - PACK OF 10	2
402	9120190	8-32 HEX NUT WITH STAR LOCK WASHER - PACK OF 10	2
403	0693071	COVER - TOP MOTOR FRAME	1
404	0690821	RETAINING RING	1
405	0690062	UPPER END BELL	1
406	0690842	CARBON BRUSH HOLDER	2
407	0690431	CARBON BRUSH	2
408	0691991	CARBON BRUSH CAP	2
409	9120130	# 6 EXTERNAL STAR LOCK WASHER - PACK OF 10	2
410	9120060	6-32 X 5/16 PAN HEAD SLOT MACHINE SCREW - BRASS - PACK OF 10	2
411	0690741	FRAME RING	1
412	0690241	FIELD CORE AND COILS ASSEMBLY - 120 VOLT - INCLUDES:	1
413	0692231	# 6 RING TERMINAL - 14 - 16 GAGE	2
412	0692041	FIELD CORE AND COILS ASSEMBLY - 240 VOLT	1
413	0692231	# 6 RING TERMINAL - 14 - 16 GAGE	2
414	0690082	LOWER END BELL	1
415	9120410	10-24 X 1/2 ROUND HEAD PHILLIPS MACHINE SCREW - PACK OF 10	4
416	9120320	# 10 SPLIT LOCK WASHER - PACK OF 10	4
417	0690239	ARMATURE AND VENT FAN ASSEMBLY - 120 VOLT - INCLUDES:	1
418	0691361	VENT FAN	1
417	0692039	ARMATURE AND VENT FAN ASSEMBLY - 240 VOLT	1
418	0691361	VENT FAN	1
419	0690131	BEARING - LOWER	1
420	0690121	STAR TOLERANCE RING	1
421	0690102	END PLATE FAN HOUSING	1
422	0691471	FIELD LEAD GROMMET	2
423	5490161	FULLY INSULATED FEMALE TERMINAL 14-16 GAGE	2
424	9120370	7/32 I.D. X 1/2 O.D. X .032/.065 THICK FLAT WASHER #10 - PACK OF 10	2
425	9120320	# 10 SPLIT LOCK WASHER - PACK OF 10	2
426	9120493	10-24 X 3 ROUND HEAD SLOT MACHINE SCREW - PACK OF 2	2
427	0690731	BEARING - UPPER	1
428	0690831	7/16 I.D. X 13/16 O.D. FINGERED SPRING WASHER - PACK OF 1	1
429	0690771	THRUST WASHER - PACK OF 1	1
430	0690671	10-24 X 4 HEX WASHER HEAD THRU BOLT - PACK OF 1	2
431	0691151	SHAFT SEAL	1
432	0690151	BEARING SPACER	1
433	0690148	OFFSET FAN	1
434	0690182	BAFFLE - FAN	2
435	0690351	FAN SPACER - CONE	1
436	0690751	BAFFLE HOLDING STRIP	1
437	0690178	FAN - 7"	2
438	0690501	FAN SPACER - SPOOL	1
439	0690512	FAN WASHER - PACK OF 1	1
440	0694271	SHAFT NUT - PACK OF 1	1
441	0692121	FAN COVER	1
442	0692116	HOLDING RING	1
443	9120370	7/32 I.D. X 1/2 O.D. X .032/.065 THICK FLAT WASHER #10 - PACK OF 10	3
444	9120320	# 10 SPLIT LOCK WASHER - PACK OF 10	3
445	9120280	8-32 X 1 ROUND HEAD PHILLIPS MACHINE SCREW - PACK OF 10	3

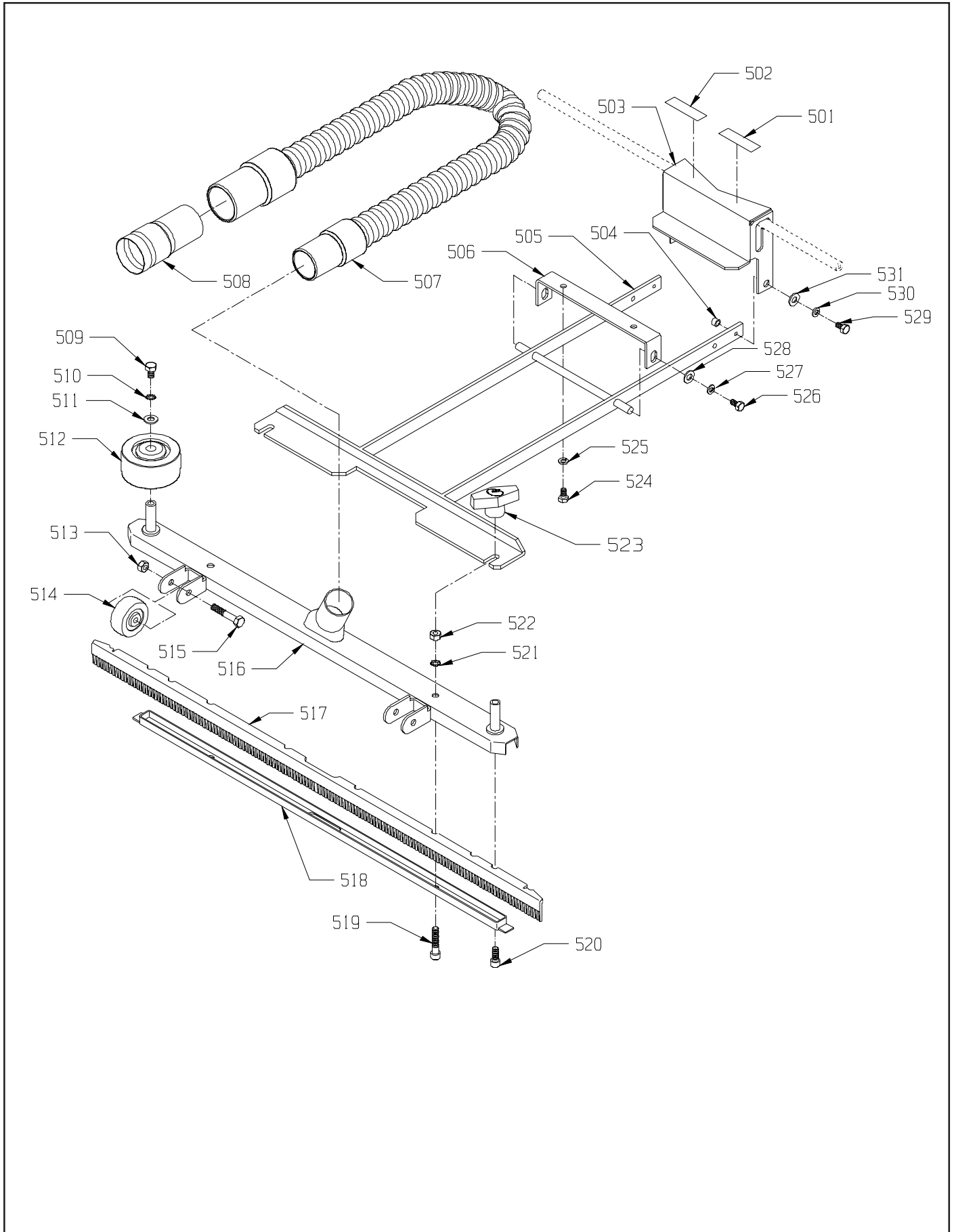
MOTOR



FRONT MOUNT SQUEEGEE ASSEMBLY

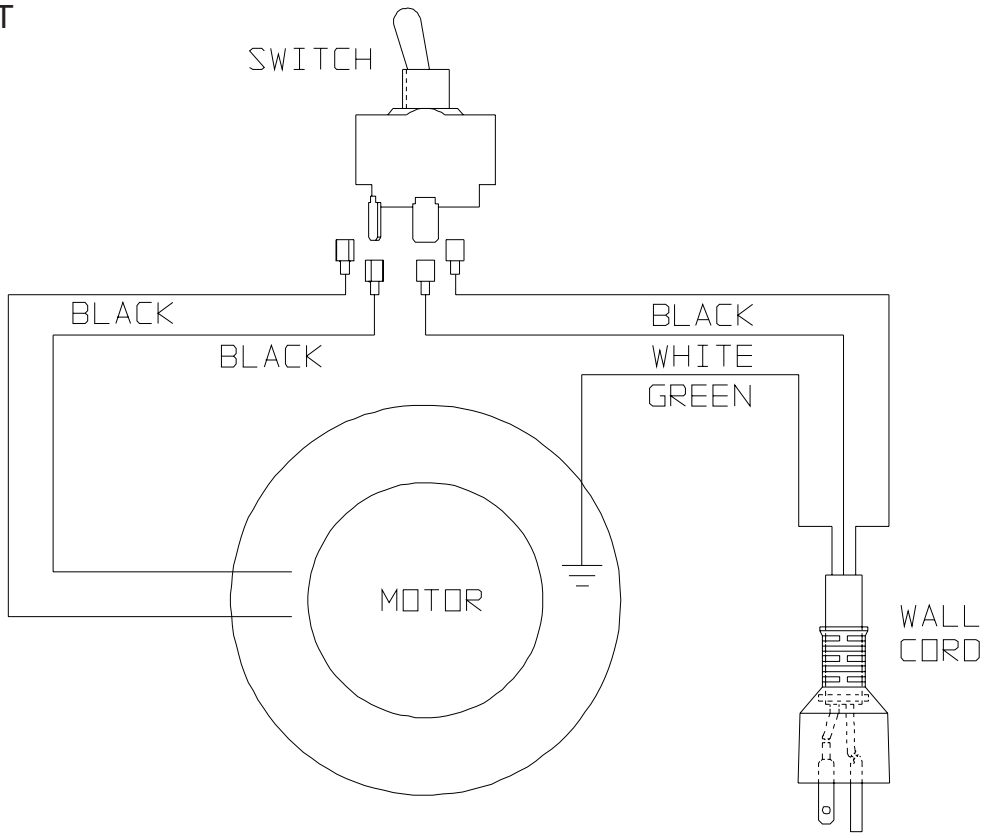
ITEM	PART NO.	PART DESCRIPTION	QTY.
	3098259	FRONT MOUNT SQUEEGEE - INCLUDES:	1
501	0891731	DECAL - PRESS TO RAISE	1
502	0891741	DECAL - PUSH TO LOWER	1
503	0891703	FOOT PEDAL WITH LATCH	1
504	2791281	BUSHING SPACER	2
505	0891723	MOUNTING PLATE	1
506	0891713	LOWER PIVOT BRACKET	1
507	0891751	2 FOOT HOSE WITH CUFFS	1
508	2590801	HOSE COUPLING 1 1/2"	1
509	9121560	5/16-18 X 1/2 HEX BOLT	2
510	9121410	5/16 EXTERNAL STAR LOCK WASHER	2
511	9121390	11/32 I.D. X 11/16 O.D. X .051/.080 THICK FLAT WASHER (5/16)	2
512	2790281	3" BUMPER WHEEL	2
513	9121450	5/16-18 HEX NUT WITH NYLOK INSERT	2
514	3096741	WHEEL - BUMPER - SMALL GRAY	2
515	9121760	5/16 X 1 3/4 HEX BOLT	2
516	2391273	OUTER CHANNEL	1
517	2791061	32" REPLACEMENT SQUEEGEE BLADES - SET OF 2	1
518	2391283	INNER CHANNEL	1
519	9121920	5/16-18 X 1 1/2 SOCKET HEAD CAP SCREW	2
520	9121880	5/16-18 X 3/4 SOCKET HEAD CAP SCREW	2
521	9121410	5/16 EXTERNAL STAR LOCK WASHER	2
522	9121420	5/16-18 HEX NUT	2
523	3392971	T-KNOB - SQUEEGEE	2
524	9121171	1/4-20 X 1/2 HEX BOLT	2
525	9120880	1/4 SPLIT LOCK WASHER	2
526	9121171	1/4-20 X 1/2 HEX BOLT	2
527	9120880	1/4 SPLIT LOCK WASHER	2
528	9120930	9/32 I.D. X 5/8 O.D. X .051/.080 THICK FLAT WASHER (1/4)	2
529	9121250	1/4-20 X 3/4 HEX BOLT WITH NYLON PATCH	2
530	9120880	1/4 SPLIT LOCK WASHER	2
531	9120930	9/32 I.D. X 5/8 O.D. X .051/.080 THICK FLAT WASHER (1/4)	2

FRONT MOUNT SQUEEGEE ASSEMBLY

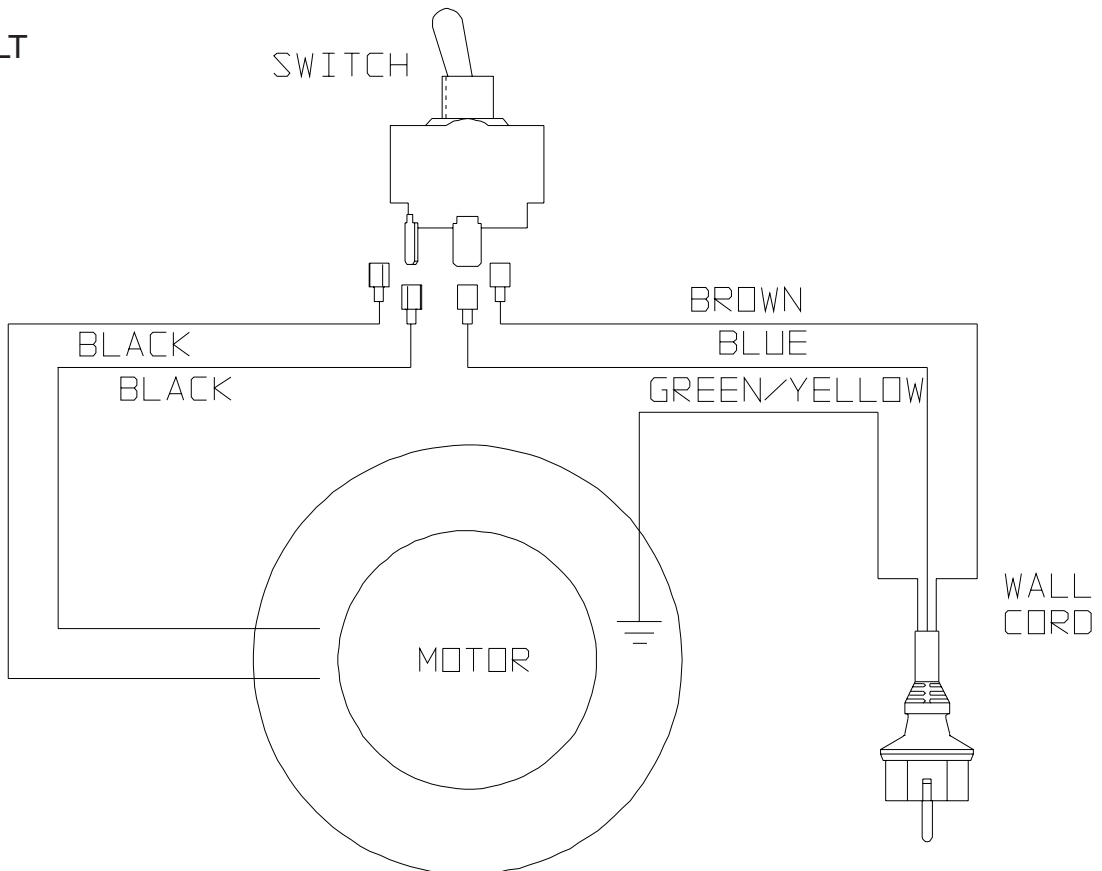


WIRING DIAGRAM

120 VOLT



240 VOLT

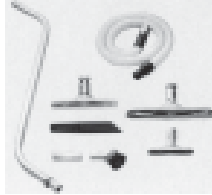


ACCESSORIES



PART NO.
1801802
1801803

PART DESCRIPTION
BP RANGER POWERHEAD 115 VOLT
BP RANGER POWERHEAD 240 VOLT



3098309
2594011
5790331
5797011
5790241
5790271
5790111
5790291
5790301
5790311
3191469

ALL PURPOSE WET / DRY TOOL KIT - INCLUDES:
10 FOOT SPIRAL FLEX HOSE
2 PIECE STEEL WAND
15" SQUEEGEE TOOL WITH WHEELS
16" BARE FLOOR TOOL
16" CARPET TOOL
2 1/2 ROUND BRUSH
CREVICE TOOL
9" WALL BRUSH
UTILITY NOZZLE
HI-UP EXTENSION TUBE KIT - PLASTIC (2-PIECES)



3098329
3092179
2290209
2595101

BASIC WET PICK-UP KIT - INCLUDES:
14" URETHANE SQUEEGEE TOOL
STEEL WAND
10 FOOT SUPER FLEX HOSE WITH SWIVEL CUFF

3098259

FRONT MOUNT SQUEEGEE ASSEMBLY



0891939
0891949

DYNEL FILTER BAG ASSEMBLY
BLUE FILTER BAG ASSEMBLY





NSS[®] Enterprises, Inc.

3115 Frenchmens Road, Toledo, Ohio 43607
PHONE (419) 531-2121 FAX (419) 531-3761

NSS[®] Enterprises, Inc. European Distribution Centre
Unit II, Pinfold Trading Estate * 55 Nottingham Road
STAPLEFORD, NOTTINGHAM NG9 8AD ENGLAND U.K.
PHONE: (44) 0115 939 1568 * FAX: (44) 0115 949 0615