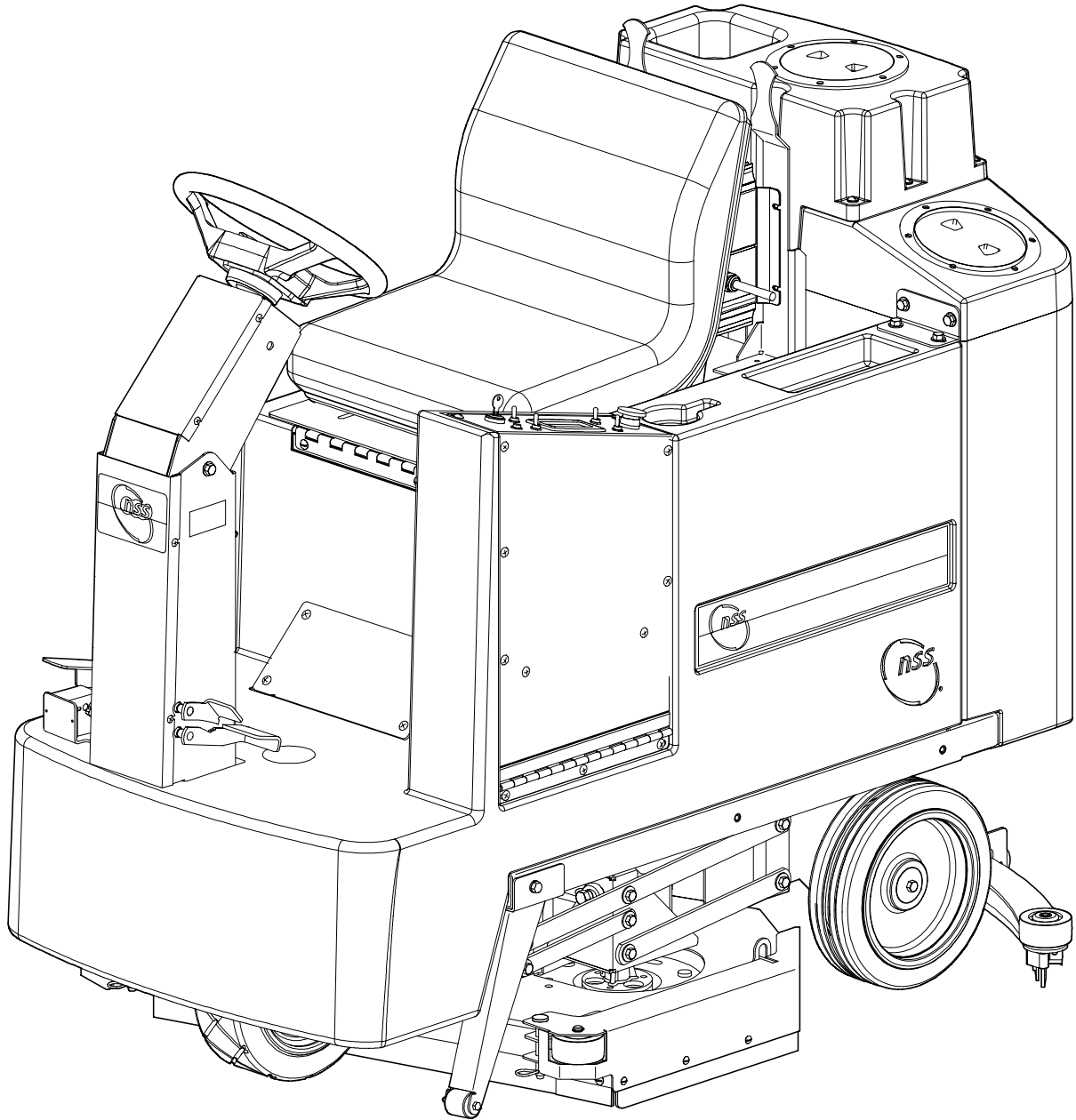
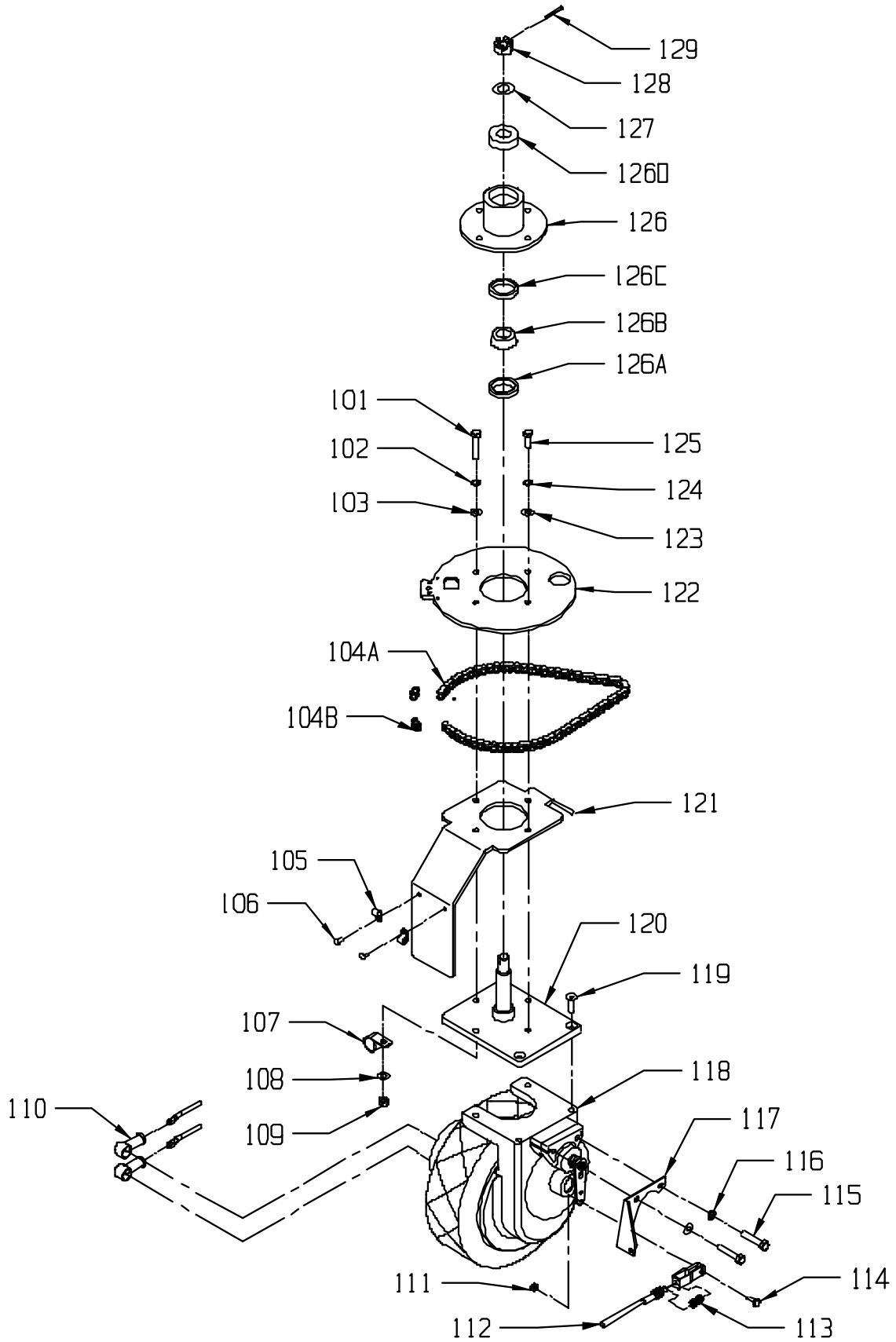


PARTS LIST  
**CHAMP 2929 RB**



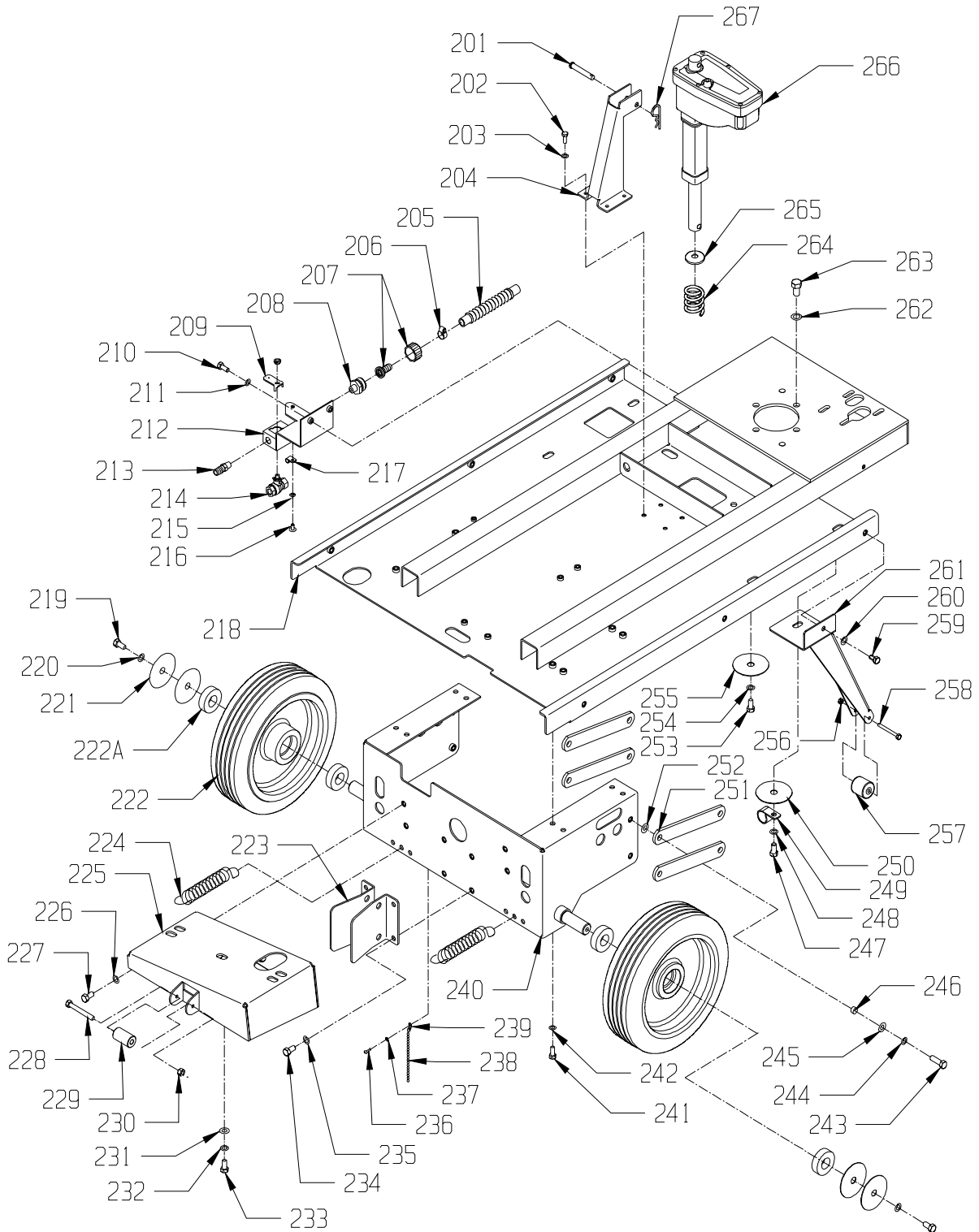
<u>ITEM</u>	<u>PART NO.</u>	<u>DESCRIPTION</u>	<u>QTY.</u>
101	9122343	3/8-16 X 2 HEX HEAD FULL THREADED BOLT	3
102	9122100	3/8 SPLIT LOCK WASHER	3
103	9121400	3/8 I.D. X 7/8 O.D. X .064/.104 THICK WROUGHT WASHER (5/16)	3
104	7691259	CHAIN KIT - CHAIN WITH TWO MASTERS - INCLUDES:	1
104A	2790341	ROLLER CHAIN 67 LINKS WITHOUT MASTER	1
104B	2795211	LINK - MASTER #40 CHAIN NICKEL	2
105	5294201	NYLON CABLE CLAMP	2
106	9120510	10-24 X 1/2 TRUSS HEAD PHILLIPS MACHINE SCREW	2
107	2395761	CLAMP, TUBE	1
108	9121400	3/8 I.D. X 7/8 O.D. X .064/.104 THICK WROUGHT WASHER (5/16)	1
109	9122140	3/8-16 HEX NUT WITH NY-LOK INSERT	1
110	6492051	STUD TERMINAL BOOT - RUBBER	2
111	9120900	1/4-20 HEX NUT WITH NY-LOK INSERT	1
112	7690971	BRAKE CABLE	1
113	3695581	HEIGHT ADJUSTING SPRING	1
114	9121250	1/4-20 X 3/4 HEX BOLT WITH NYLON PATCH	1
115	9122371	3/8-24 X 2 1/8 HEX BOLT	2
116	9121400	3/8 I.D. X 7/8 O.D. X .064/.104 THICK WROUGHT WASHER (5/16)	2
117	7694221	LOWER BRAKE CABLE BRACKET	1
118	7690071	12 X 4 DRIVE WHEEL - INCLUDES:	1
118A	7692061	WHEEL / TIRE	1
118B	7692131	WHEEL BOLTS	10
118C	7692121	DRIVE MOTOR	1
118D	7692051	DRIVE MOTOR CARBON BRUSH KIT	1
118E	7692081	BRAKE ROTOR	1
118F	7692071	BRAKE CALAPER	1
119	9122323	3/8-16 X 1 1/4 FLAT HEAD SOCKET CAP SCREW	2
120	7690581	STEERING YOKE	1
121	7690563	FENDER / TOW HOOK / SPACER	1
122	7690571	DRIVEN SPROCKET - STEERING	1
123	9121400	3/8 I.D. X 7/8 O.D. X .064/.104 THICK WROUGHT WASHER (5/16)	1
124	9122100	3/8 SPLIT LOCK WASHER	1
125	9122300	3/8-16 X 1 1/4 HEX BOLT	1
126	7690509	BEARING BLOCK - STEERING ASSEMBLY - INCLUDES:	1
126A	7690591	SEAL - STEERING	1
126B	7690671	BEARING CONE - STEERING BOTTOM	1
126C	7690681	BEARING CUP - STEERING BOTTOM	1
126D	2790311	BEARING, BOTTOM END	1
127	9123105	3/4 I.D. X 1 1/4 O.D. X .071/.082 THICK FLAT WASHER (11 GAGE)	1
128	9123100	3/4-16 HEX SLOTTED NUT - STEEL	1
129	9120314	1/8 X 1 1/4 COTTER PIN - STEEL	1

# DRIVE WHEEL ASSEMBLY



<u>ITEM</u>	<u>PART NO.</u>	<u>DESCRIPTION</u>	<u>QTY.</u>
201	7690311	3/8" DIAMETER X 2.505 LONG CLEVIS PIN - PACK OF 1	1
202	9121210	1/4-20 X 5/8 HEX BOLT - PACK OF 10	4
203	9120880	1/4 SPLIT LOCK WASHER - PACK OF 10	4
204	7690301	BRUSH ACTUATOR BRACKET	1
205	7693781	6 1/2 X 3/4 CONVOLUTED HOSE	1
206	7693811	HOSE CLAMP 9/16" TO 1 1/16"	1
207	7693771	FILTER FITTING 3/4 HOSE BARB AND COLLAR	1
208	2690232	FILTER FITTING, VALVE	1
209	7691041	VALVE LEVER	1
210	9121600	5/16-18 X 5/8 HEX BOLT - PACK OF 5	2
211	9121520	5/16 SPLIT LOCK WASHER - PACK OF 10	2
212	7691031	SOLUTION VALVE HANGER	1
213	2495161	1/2 HOSE BARB X 1/4 MPT	1
214	1391531	SOLUTION VALVE	1
215	9120370	7/32 I.D. X 1/2 O.D. X .032/.065 THICK SAE FLAT WASHER (#10)-PACK OF 10	1
216	9120510	10-24 X 1/2 TRUSS HEAD PHILLIPS MACHINE SCREW - PACK OF 5	1
217	7691061	CONDUIT CLAMP	1
218	7693931	MAIN FRAME	1
219	9122220	3/8-16 X 3/4 HEX BOLT - PACK OF 5	2
220	9122100	3/8 SPLIT LOCK WASHER - PACK OF 10	2
221	9122110	3/8 X 1 1/2 FENDER WASHER - PACK OF 10	4
222	7690089	12 X 3 WHEEL - ASSEMBLY - INCLUDES:	2
	7690081	12 X 3 WHEEL	1
222A	2790311	BEARING, BOTTOM END	2
223	7690211	SQUEEGEE MOUNT / STOP BRACKET	2
224	7690291	EXTENSION SPRING, SQUEEGEE	2
225	7694013	MOUNTING BRACKET - LOWER RECOVERY TANK	1
226	9122100	3/8 SPLIT LOCK WASHER - PACK OF 10	4
227	9122220	3/8-16 X 3/4 HEX BOLT - PACK OF 5	4
228	9122350	3/8-16 X 3 HEX BOLT - PACK OF 1	1
229	7690811	GUIDE	1
230	9122140	3/8-16 HEX NUT WITH NY-LOK INSERT - PACK OF 5	1
231	9121400	3/8 I.D.X 7/8 O.D.X .064/.104 THICK WROUGHT WASHER (5/16)-PACK OF 10	2
232	9122100	3/8 SPLIT LOCK WASHER - PACK OF 10	2
233	9122220	3/8-16 X 3/4 HEX BOLT - PACK OF 5	2
234	9122220	3/8-16 X 3/4 HEX BOLT - PACK OF 5	4
235	9122100	3/8 SPLIT LOCK WASHER - PACK OF 10	4
236	9120380	10-24 X 3/8 ROUND HEAD PHILLIPS MACHINE SCREW - PACK OF 10	1
237	9120320	#10 SPLIT LOCK WASHER - PACK OF 10	1
238	6491860	ROUND BEAD CHAIN (CUT TO 6")	0.5
239	6491871	END COUPLING - ROUND BEAD CHAIN	1
240	7690173	AXLE BRACKET	1
241	9122220	3/8-16 X 3/4 HEX BOLT - PACK OF 5	8
242	9122100	3/8 SPLIT LOCK WASHER - PACK OF 10	8
243	9122300	3/8-16 X 1 1/4 HEX BOLT - PACK OF 2	8
244	9122100	3/8 SPLIT LOCK WASHER - PACK OF 10	8
245	9121400	3/8 I.D.X 7/8 O.D.X .064/.104 THICK WROUGHT WASHER (5/16)-PACK OF 10	8
246	2691181	PIVOT SPACER, STABILIZER BAR	8
247	9122260	3/8-16 X 1 HEX BOLT - PACK OF 2	1
248	9122100	3/8 SPLIT LOCK WASHER - PACK OF 10	1
249	2395761	CLAMP, TUBE	1
250	9122110	3/8 X 1 1/2 FENDER WASHER - PACK OF 10	1
251	2691171	STABILIZER BAR	4
252	9121400	3/8 I.D.X 7/8 O.D.X .064/.104 THICK WROUGHT WASHER (5/16)- PACK OF 10	8
253	9122220	3/8-16 X 3/4 HEX BOLT - PACK OF 5	3
254	9122100	3/8 SPLIT LOCK WASHER - PACK OF 10	3
255	9122110	3/8 1 1/2 FENDER WASHER - PACK OF 10	3
256	9120900	1/4-20 HEX NUT WITH NY-LOK INSERT- PACK OF 10	2
257	1390321	ROLLER	2
258	9121287	1/4-20 X 2 1/2 HEX BOLT - PACK OF 2	2
259	9122220	3/8-16 X 3/4 HEX BOLT - PACK OF 5	2
260	9122100	3/8 SPLIT LOCK WASHER - PACK OF 10	2

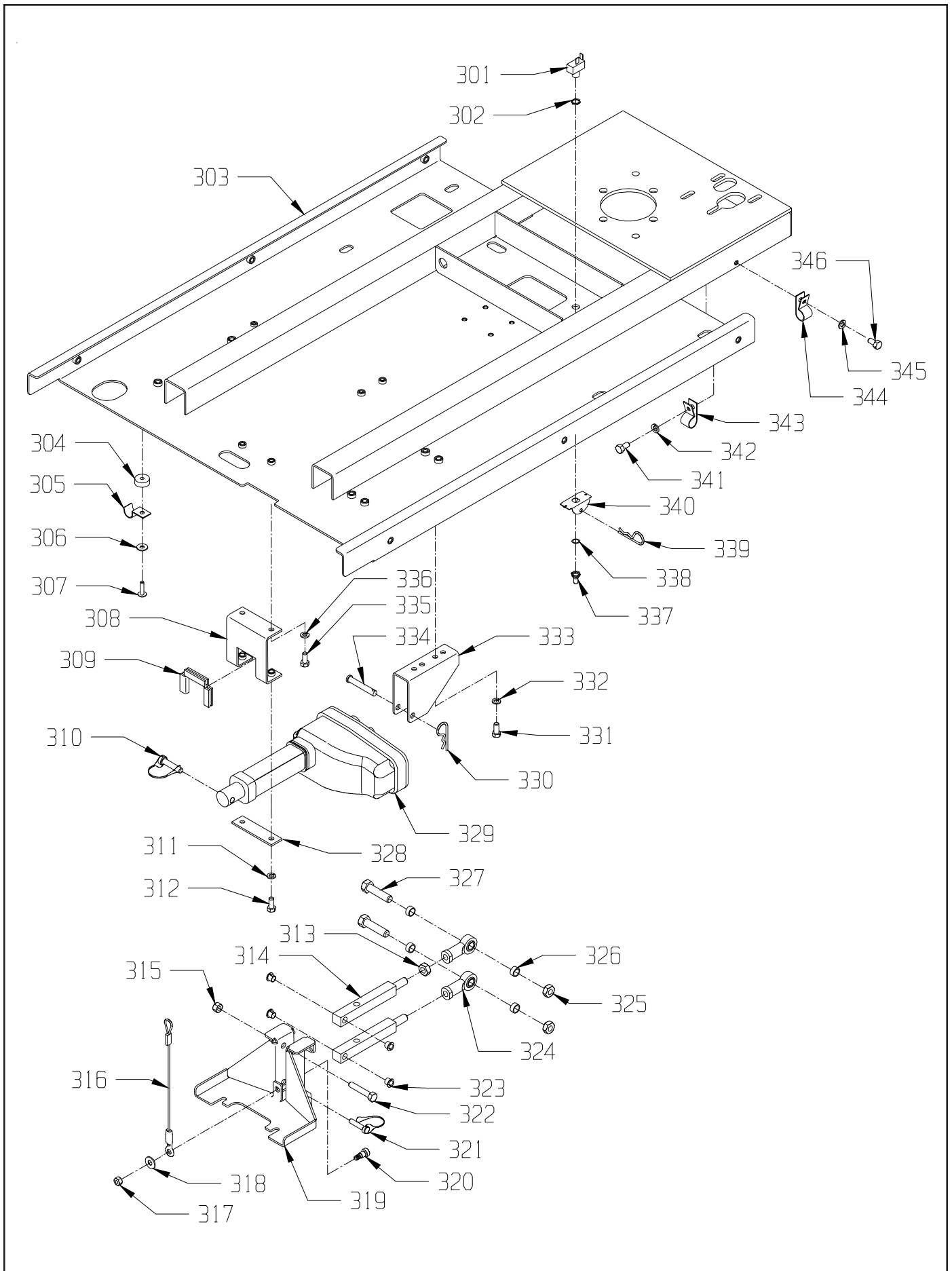
# CHASSIS ASSEMBLY



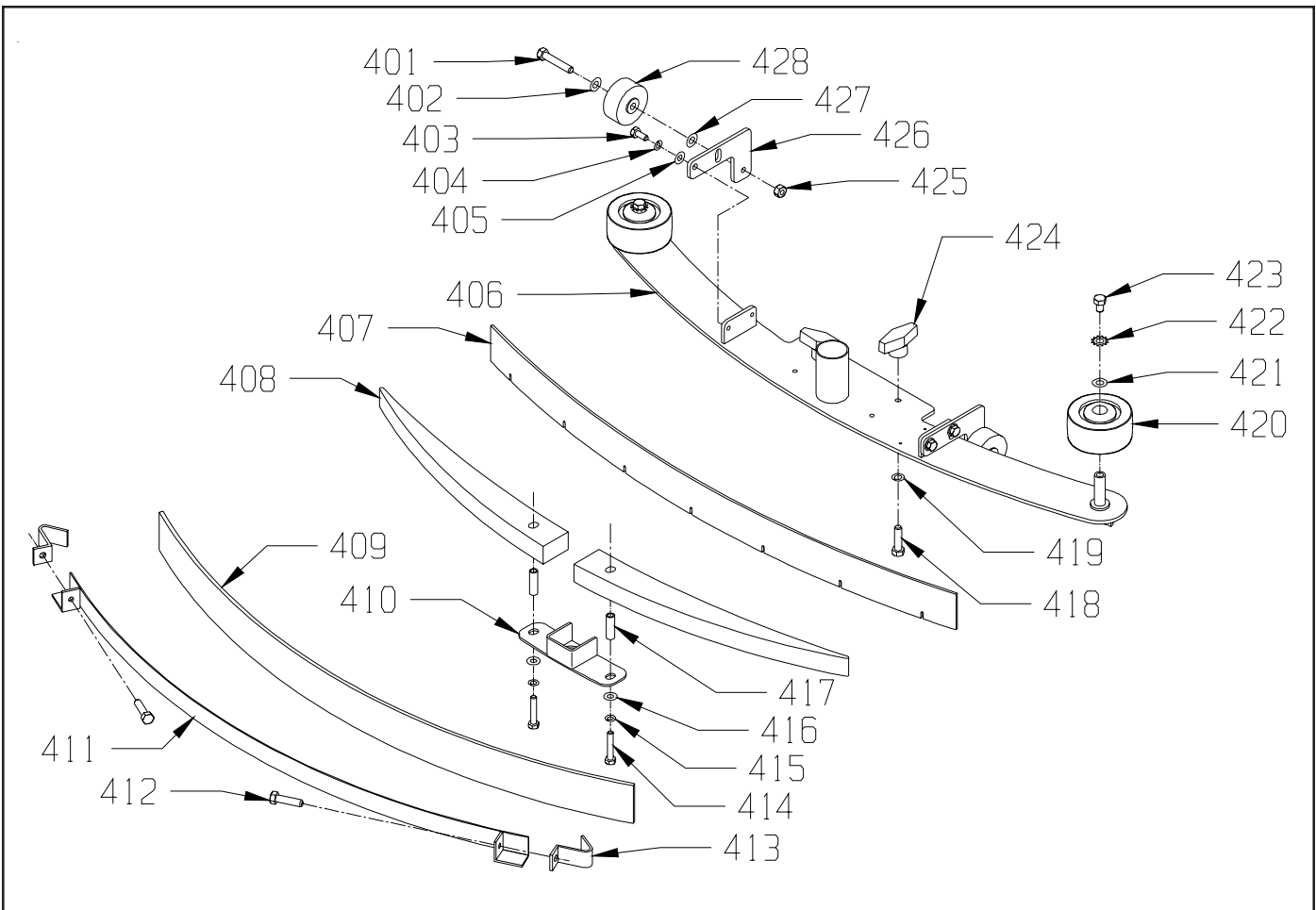
261	7692363	LEFT ROLLER LEG	1
	7692353	RIGHT ROLLER LEG	1
262	9122420	1/2 SPLIT LOCK WASHER - PACK OF 5	4
263	9122500	1/2-13 X 7/8 HEX BOLT - PACK OF 2	4
264	7691171	COMPRESSION SPRING	1
265	3190191	STRING GUARD	1
266	7690549	BRUSH / SQUEEGEE ACTUATOR KIT	1
	7692209	ACTUATOR LIMIT SWITCH KIT	1
267	7690491	#6 HAIR COTTER PIN	1

<u>ITEM</u>	<u>PART NO.</u>	<u>DESCRIPTION</u>	<u>QTY.</u>
301	3390411	FORWARD - REVERSE SWITCH	1
302	0798821	5/8" HEX NUT (LARGE NUT)	1
303	7693931	MAIN FRAME	1
304	7691361	ACTUATOR SPRING GUIDE	1
305	2690971	HOSE CLIP	1
306	9120930	9/32 I.D. X 5/8 O.D. X .051/.080 THICK SAE FLAT WASHER (1/4)	1
307	9121270	1/4-20 X 1 HEX BOLT	1
308	7690191	ACTUATOR MOUNT - REAR	1
309	9997590	METAL CORE QUICKEDGE TRIM (CUT TO 4")	.3
310	9121950	3/8 X 1 5/8 CLEVIS PIN WITH RETAINER	1
311	9121520	5/16 SPLIT LOCK WASHER	2
312	9121640	5/16-18 X 3/4 HEX BOLT	2
313	9122670	1/2-20 HEX JAM NUT	1
314	1390156	SQUEEGEE SHAFT	2
315	9122140	3/8-16 HEX NUT WITH NY-LOK INSERT	1
316	7691071	SQUEEGEE LIFT CABLE	1
317	9121450	5/16-18 HEX NUT WITH NY-LOK INSERT	1
318	9121400	3/8 I.D. X 7/8 O.D. X .064/.104 THICK WROUGHT WASHER (5/16)	1
319	7693831	SQUEEGEE BRACKET	1
320	9122020	3/8 DIA. X 3/8 LONG SOCKET HEAD SHOULDER BOLT 5/16-18	1
321	9121950	3/8 X 1 5/8 CLEVIS PIN WITH RETAINER	1
322	9122340	3/8-16 X 2 HEX BOLT	1
323	1391171	3/8 FLANGE NYLINER	4
324	2391941	BALL JOINT	2
325	9122495	1/2-13 HEX NUT WITH NY-LOK INSERT - THIN	2
326	2391461	BUSHING - LIFT LEVER	4
327	9122580	1/2-13 X 2 HEX BOLT	2
328	7690201	ACTUATOR MOUNT CLAMP	1
329	7690549	BRUSH / SQUEEGEE ACTUATOR KIT	1
	7692209	ACTUATOR LIMIT SWITCH KIT	1
330	7690491	#6 HAIR COTTER PIN	1
331	9121640	5/16-18 X 3/4 HEX BOLT	2
332	9121520	5/16 SPLIT LOCK WASHER	2
333	7694061	FRONT MOUNT - SQUEEGEE ACTUATOR	1
334	7690311	3/8" DIAMETER X 2.505" LONG CLEVIS PIN	1
335	9121640	5/16-18 X 3/4 HEX BOLT	2
336	9121520	5/16 SPLIT LOCK WASHER	2
337	0693141	RUBBER SWITCH BOOT	1
338	0691851	1/2" INTERNAL STAR LOCK WASHER	1
339	7690491	#6 HAIR COTTER PIN	1
340	7691791	SWITCH GUARD	1
341	9121210	1/4-20 X 5/8 HEX BOLT	2
342	9120880	1/4 SPLIT LOCK WASHER	2
343	3291111	CORD CLAMP	2
344	2395761	CLAMP, TUBE	1
345	9120880	1/4 SPLIT LOCK WASHER	1
346	9121210	1/4-20 X 5/8 HEX BOLT	1

# SQUEEGEE ACTUATOR ASSEMBLY

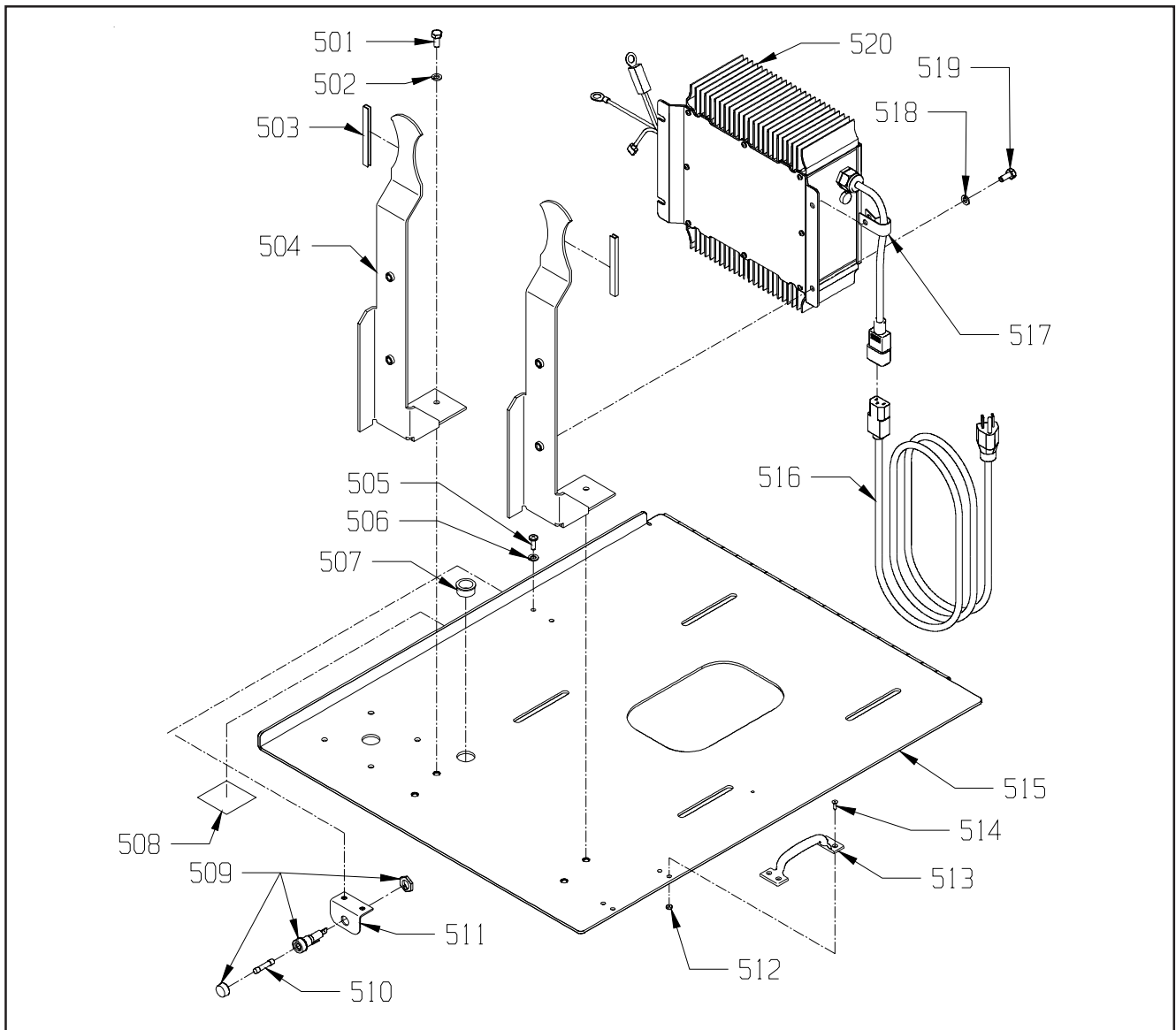


## CURVED SQUEEGEE ASSEMBLY



ITEM	PART NO.	DESCRIPTION	QTY.
	7694409	CURVED SQUEEGEE ASSEMBLY - INCLUDES:	1
401	9121760	5/16-18 X 1 3/4 HEX BOLT	2
402	9121390	11/32 I.D. X 11/16 O.D. X .051/.080 THICK SAE FLAT WASHER (5/16)	2
403	9121210	1/4-20 X 5/8 HEX BOLT	4
404	9120880	1/4 SPLIT LOCK WASHER	4
405	9120930	9/32 I.D. X 5/8 O.D. X .051/.080 THICK SAE FLAT WASHER (1/4)	4
406	7694413	SQUEEGEE HOUSING	1
407	7694421	FRONT SQUEEGEE BLADE	1
408	7694441	WEDGY	2
409	7694461	REAR SQUEEGEE BLADE - LINATEX	1
410	7694471	WEDGY CONTAINMENT BRACKET	1
411	7694451	BLADE SECURING STRAP	1
412	9121720	5/16-18 X 1 1/4 HEX HEAD FULL THREADED BOLT	2
413	2492561	HOOKED END	2
414	9121280	1/4-20 X 1 1/2 HEX BOLT	2
415	9120880	1/4 SPLIT LOCK WASHER	2
416	9120930	9/32 I.D. X 5/8 O.D. X .051/.080 THICK SAE FLAT WASHER (1/4)	2
417	2492591	CENTER HOLD DOWN SPACER	2
418	9121720	5/16-18 X 1 1/4 HEX HEAD FULL THREADED BOLT	2
419	9121520	5/16 SPLIT LOCK WASHER	2
420	2790281	BUMPER WHEEL	2
421	9121390	11/32 I.D. X 11/16 O.D. X .051/.080 THICK SAE FLAT WASHER (5/16)	2
422	9121410	5/16 EXTERNAL STAR LOCK WASHER	2
423	9121560	5/16-18 X 1/2 HEX BOLT	2
424	3392971	T-KNOB - SQUEEGEE	2
425	9121450	5/16-18 HEX NUT WITH NY-LOK INSERT	2
426	2492571	DOLLY WHEEL MOUNTING BRACKET	2
427	9121390	11/32 I.D. X 11/16 O.D. X .051/.080 THICK SAE FLAT WASHER (5/16)	2
428	3096741	ROLLER WHEEL	2

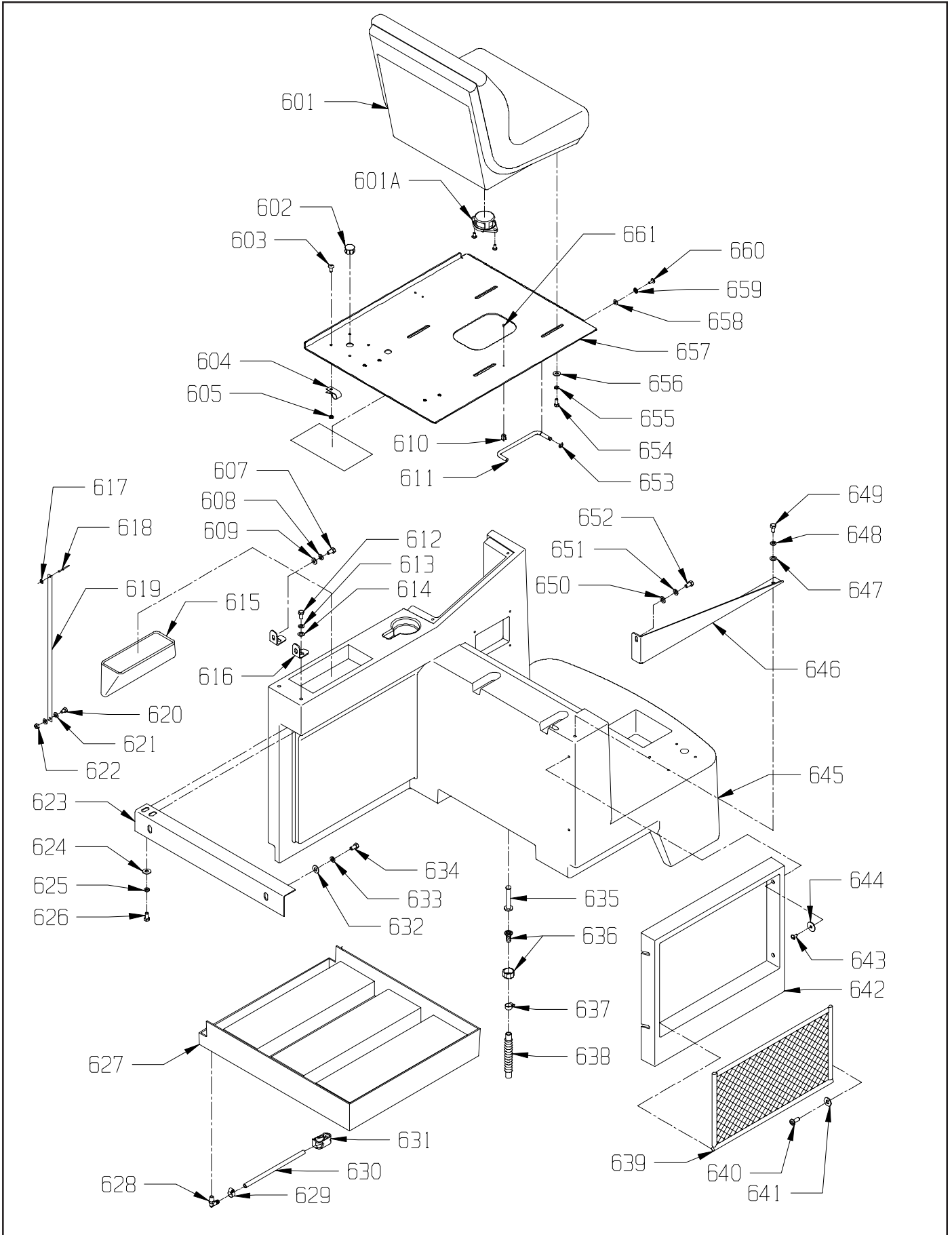
## ONBOARD CHARGER



<b>ITEM</b>	<b>PART NO.</b>	<b>DESCRIPTION</b>	<b>QTY.</b>
501	9121210	1/4-20 X 5/8 HEX BOLT	4
502	9120880	1/4 SPLIT LOCK WASHER	4
503	9997590	METAL CORE QUICKEDGE TRIM (CUT TO 3.5" X 2)	.6
504	7692243	ONBOARDER CHARGER MOUNT	2
505	9120500	10-24 X 3/8 TRUSS HEAD PHILLIPS MACHINE SCREW	2
506	9120330	10 EXTERNAL STAR LOCK WASHER	2
507	4890451	BUSHING, SNAP IN #SB87511 HEYCO	1
508	3393481	FUSE DECAL	1
509	4990321	FUSE HOLDER WITH NUT & WASHER	1
510	6495741	3AG FAST-ACTING FUSE 4 AMP	1
511	7692253	FUSE HOLDER MOUNT	1
512	9120350	10-24 HEX NUT WITH NY-LOK INSERT	4
513	7692271	LIFT HANDLE	1
514	9120550	10-24 X 5/8 FLAT HEAD PHILLIPS MACHINE SCREW	4
515	7690133	BATTERY COVER/SEAT PLATE	1
516	6495701	120 VOLT ONBOARD CHARGER CORD	1
	6495711	240 VOLT ONBOARD CHARGER CORD	1
517	3291111	CABLE CLAMP	1
518	9120880	1/4 SPLIT LOCK WASHER	4
519	9121210	1/4-20 X 5/8 HEX BOLT	4
520	6495691	36 VOLT ONBOARD CHARGER 120/240 VOLT 21AMP	1

<u>ITEM</u>	<u>PART NO.</u>	<u>DESCRIPTION</u>	<u>QTY.</u>
601	7690601	SEAT - INCLUDES:	1
601A	7691801	SEAT SWITCH	1
602	0690761	BUTTON, PLUG	1
603	9121000	1/4-20 X 5/8 TRUSS HEAD PHILLIPS MACHINE SCREW	4
604	4890851	CABLE CLAMP	1
605	9120900	1/4-20 HEX NUT WITH NY-LOK INSERT	4
606	3392811	BATTERY WARNING DECAL	1
607	9122220	3/8-16 X 3/4 HEX BOLT	2
608	9122100	3/8 SPLIT LOCK WASHER	2
609	9121400	3/8 I.D. X 7/8 O.D. X .064/.104 THICK WROUGHT WASHER (5/16)	2
610	7691081	3/8 STOWAGE CLIP	1
611	7691191	PROP ROD - BATTERY COVER / SEAT PLATE	1
612	9122220	3/8-16 X 3/4 HEX BOLT	2
613	9122100	3/8 SPLIT LOCK WASHER	2
614	9121400	3/8 I.D. X 7/8 O.D. X .064/.104 THICK WROUGHT WASHER (5/16)	2
615	7691249	FILTER SCREEN ASSEMBLY	1
616	7692373	SOLUTION TANK MOUNTING BRACKET - LEFT	2
617	9120370	7/32 I.D. X 1/2 O.D. X .032/.065 THICK FLAT WASHER (#10)	1
618	9120817	3/16 X 11/16 DOME HEAD POP RIVET - ALUMINUM	1
619	7691911	SOLUTION GAGE	1
620	9121600	5/16-18 X 5/8 HEX BOLT	1
621	9121400	3/8 I.D. X 7/8 O.D. X .064/.104 THICK WROUGHT WASHER (5/16)	2
622	9121450	5/16-18 HEX NUT WITH NY-LOK INSERT	1
623	7690163	UPPER MOUNTING BRACKET - RECOVERY TANK	1
624	9121400	3/8 I.D. X 7/8 O.D. X .064/.104 THICK WROUGHT WASHER (5/16)	2
625	9122100	3/8 SPLIT LOCK WASHER	2
626	9122220	3/8-16 X 3/4 HEX BOLT	2
627	7690051	BATTERY BOX	1
628	2490601	FITTING, ELL 3/8 BARB X 1/4 MNPT	1
629	5092371	CORD CLAMP	1
630	8791070	3/8" I.D. X 1/2" O.D. VINYL HOSE - (CUT TO 18")	1.5'
631	3390661	TUBING CONTROL VALVE	1
632	9121400	3/8 I.D. X 7/8 O.D. X .064/.104 THICK WROUGHT WASHER (5/16)	2
633	9122100	3/8 SPLIT LOCK WASHER	2
634	9122220	3/8-16 X 3/4 HEX BOLT	2
635	2692471	FILTER, LONG LINE	1
636	7693771	FILTER FITTING 3/4 HOSE BARB AND COLLAR	1
637	7693811	HOSE CLAMP - 9/16" TO 1 1/16"	1
638	7693781	3/4" DIAMETER X 6 1/2" LONG CONVOLUTED HOSE	1
639	7691391	CARGO NET	1
640	9120790	10 X 5/8 PAN HEAD PHILLIPS SHEET METAL SCREW	4
641	9120370	7/32 I.D. X 1/2 O.D. X .032/.065 THICK FLAT WASHER (#10)	4
642	7690061	SIDE COVER	1
643	9121000	1/4-20 X 5/8 TRUSS HEAD PHILLIPS MACHINE SCREW	4
644	9120950	1/4 I.D. X 1 1/4 O.D. FENDER WASHER	4
645	7690011	SOLUTION TANK	1
646	7691013	SOLUTION TANK MOUNTING BRACKET - RIGHT	1
647	9121400	3/8 I.D. X 7/8 O.D. X .064/.104 THICK WROUGHT WASHER (5/16)	1
648	9122100	3/8 SPLIT LOCK WASHER	1
649	9122220	3/8-16 X 3/4 HEX BOLT	1
650	9121400	3/8 I.D. X 7/8 O.D. X .064/.104 THICK WROUGHT WASHER (5/16)	1
651	9122100	3/8 SPLIT LOCK WASHER	1
652	9122220	3/8-16 X 3/4 HEX BOLT	1
653	7691091	3/8 EXTERNAL E-RING - PROP ROD	2
654	9121640	5/16-18 X 3/4 HEX BOLT	4

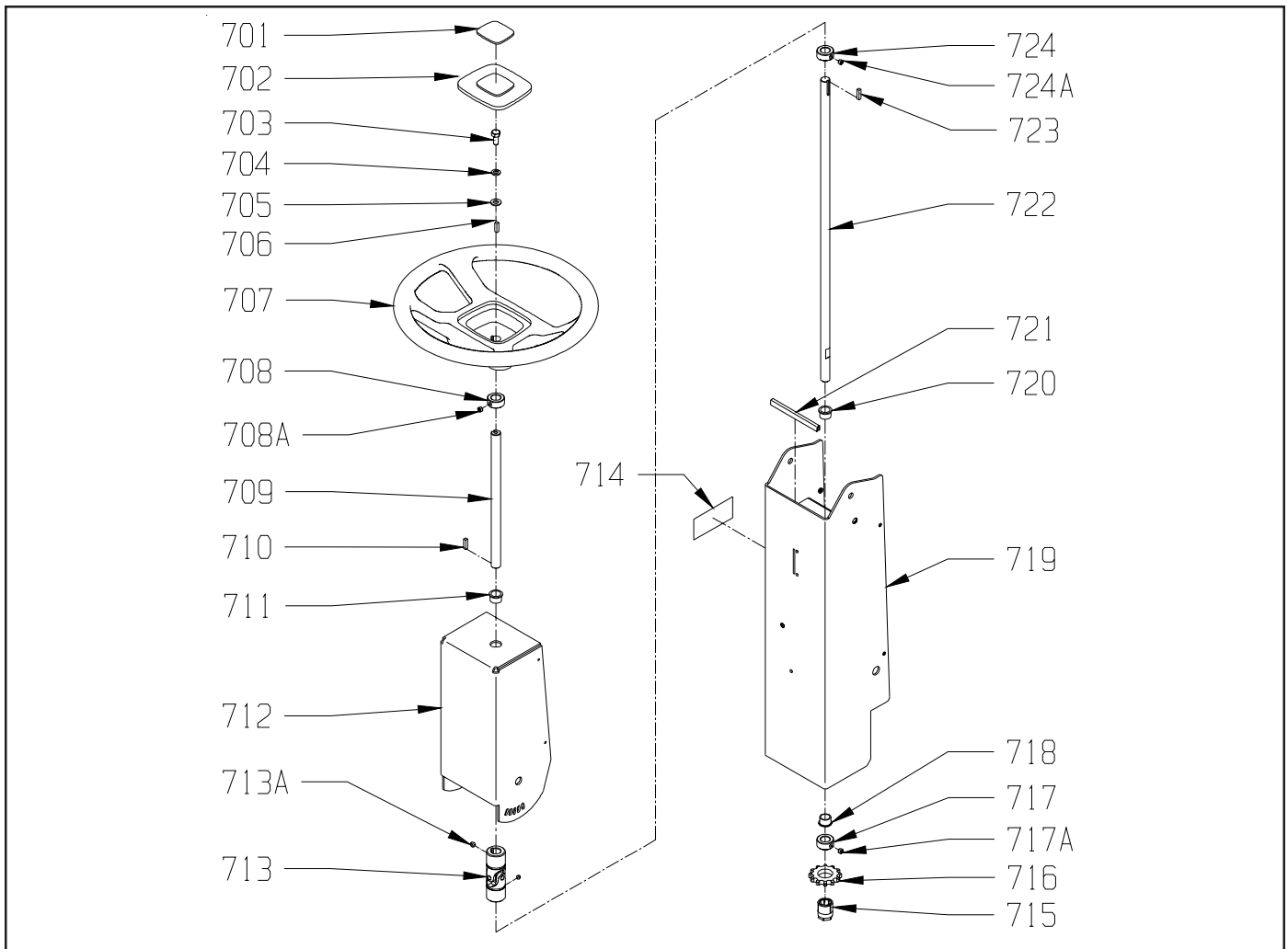
# SOLUTION TANK ASSEMBLY



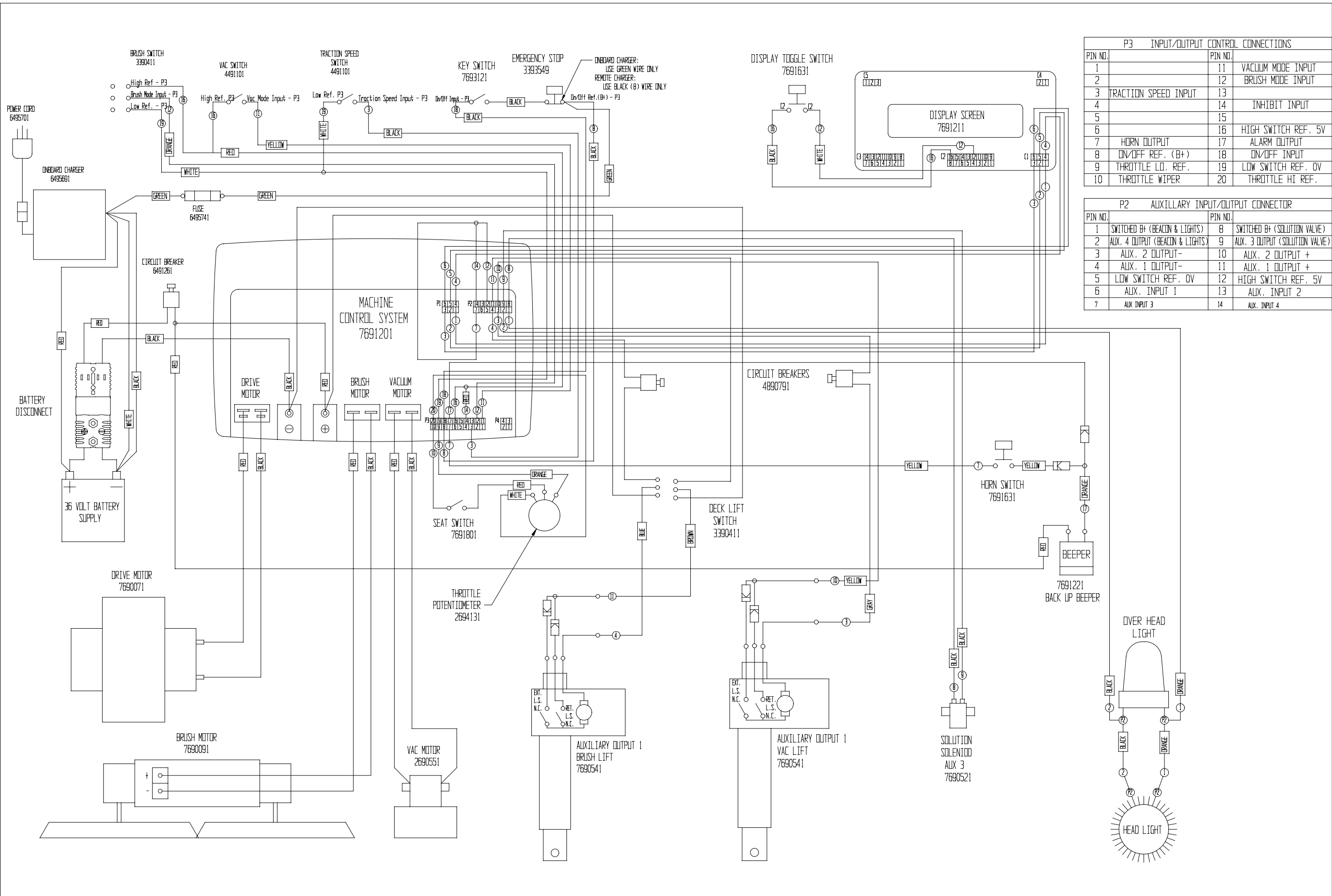
## ELECTRICAL COMPONENTS

<u>PART NO.</u>	<u>DESCRIPTION</u>	<u>QTY.</u>
2391981	BATTERY JUMPER 3/8" RING	5
2690551	VAC MOTOR, 36 VOLT	1
2690951	BATTERY, DRY, 6 VOLT, 325 AMP / HOUR	6
2691501	BATTERY, WET, 6 VOLT, 325 AMP / HOUR	6
2694131	POTENTIOMETER, CURTIS SPEED CONTROLLER	1
2792571	REPLACEMENT CARBON BRUSH - VAC MOTOR	2
2795711	KEY SWITCH WITH KEY	1
2796131	REPLACEMENT KEY FOR 2795711	1
3390361	BATTERY, WET, 6VOLT, 225 AMP/HR	6
3390951	BATTERY, DRY 6 VOLT, 225 AMP/HR	6
3390411	FORWARD - REVERSE SWITCH	2
3393549	EMERGENCY STOP KIT	1
4491101	TOGGLE SWITCH, MOTOR	2
4890791	CIRCUIT BREAKER - 2 AMP	2
4990321	FUSE HOLDER WITH NUT & WASHER	1
6491261	CIRCUIT BREAKER - 90 AMP	1
6495691	36V ONBOARD CHARGER 120/240 VOLT 21 AMP	1
6495701	120V ONBOARD CHARGER CORD	1
6495741	3AG FAST-ACTING FUSE 4 AMP	1
7690071	12 X 4 DRIVE WHEEL	1
7690091	BRUSH MOTOR	1
7690521	SOLUTION SOLENOID VALVE	1
7690541	BRUSH / SQUEEGEE ACTUATOR MOTOR	2
7691201	MACHINE CONTROL SYSTEM	1
7691211	LCD MODULE	1
7691221	BACK UP ALARM	1
7691301	EMERGENCY STOP BLOCK	1
7691401	BATTERY - 395 AMP HOUR - 6 VOLT DC - WET	6
7691421	BATTERY - 395 AMP HOUR - 6 VOLT DC - DRY	6
7691621	CIRCUIT BREAKER TO CONTROLLER	1
7691631	PUSH BUTTON SWITCH	2
7691641	EMERGENCY STOP TO KEY SWITCH	1
7691651	CONTROLLER TO LCD	1
7691661	WIRING ASSEMBLY, ANDERSON TO +/- BATTERY	1
7691671	CONTROLLER TO BRUSH	1
7691681	CONTROLLER TO DRIVE MOTOR	1
7691691	WIRING HARNESS: BATTERIES TO CONTROLLER	1
7691701	MAIN WIRING HARNESS	1
7691721	LCD TO SWITCH	1
7691731	GROUND WIRE	2
7691741	BACK-UP ALARM WIRE	1
7691751	WIRE ASSEMBLY - HIGH REFERENCE	1
7691761	WIRE ASSEMBLY - LOW REFERENCE	1
7691781	WIRE ASSEMBLY - OVERRIDE SWITCH TO BRUSH ACTUATOR	1
7691801	SEAT SWITCH	1
7691821	STROBE LIGHT (OPTIONAL)	1
7691831	HEADLIGHT (OPTIONAL)	1
7691871	AUXILIARY HARNESS TO CONTROLER	1
7692021	HEADLIGHT BULB	1
7692031	STROBE LIGHT BULB	1
7692041	CARBON BRUSH - BRUSH MOTOR	4
7692051	CARBON BRUSH - DRIVE WHEEL	4
7692091	ACTUATOR SETTING INSTRUCTIONS	1
9123000	1/8 X 11" WIRE TIE	1
9123005	5 1/2" LONG WIRE TIE	5

## INNER STEERING COLUMN ASSEMBLY



<b>ITEM</b>	<b>PART NO.</b>	<b>DESCRIPTION</b>	<b>QTY.</b>
701	7690931	DECAL - STEERING WHEEL	1
702	7690631	CAP - STEERING WHEEL	1
703	9121640	5/16-18 X 3/4 HEX BOLT	1
704	9121520	5/16 SPLIT LOCK WASHER	1
705	9121985	13/32 I.D. X 1 O.D. X .12 THICK FLAT WASHER (11 GAGE)	1
706	9120827	3/16 SQUARE X 1 LONG KEY - STEEL	1
707	7690611	STEERING WHEEL	1
708	7690661	5/8 SET COLLAR / STEERING SHAFT - INCLUDES:	1
708A	9121380	5/16-18 X 3/8 SET SCREW - KNURL POINT	1
709	7690921	UPPER STEERING SHAFT	1
710	9120827	3/16 SQUARE X 1 LONG KEY - STEEL	1
711	2790761	BEARING, FLANGE FF-71	1
712	7690733	UPPER COLUMN	1
713	7690621	UNIVERSAL JOINT - STEERING - INCLUDES:	1
713A	9121380	5/16-18 X 3/8 SET SCREW - KNURL POINT	2
714	7692281	NAMING IDENTIFICATION LABEL	1
715	7691311	TRAN - TORQUE KEYLESS BUSHING	1
716	7691321	SPROCKET	1
717	7690661	5/8 SET COLLAR / STEERING SHAFT - INCLUDES:	1
717A	9121380	5/16-18 X 3/8 SET SCREW - KNURL POINT	1
718	2790761	BEARING, FLANGE FF-71	1
719	7690713	STEERING COLUMN - BASE	1
720	2790761	BEARING, FLANGE FF-71	1
721	9997590	METAL CORE QUICKEDGE TRIM (CUT TO 6")	.5'
722	7690911	LOWER STEERING SHAFT	1
723	9120827	3/16 SQUARE X 1 LONG KEY - STEEL	1
724	7690661	5/8 SET COLLAR / STEERING SHAFT - INCLUDES:	1
724A	9121380	5/16-18 X 3/8 SET SCREW - KNURL POINT	1



**P3 INPUT/OUTPUT CONTROL CONNECTIONS**

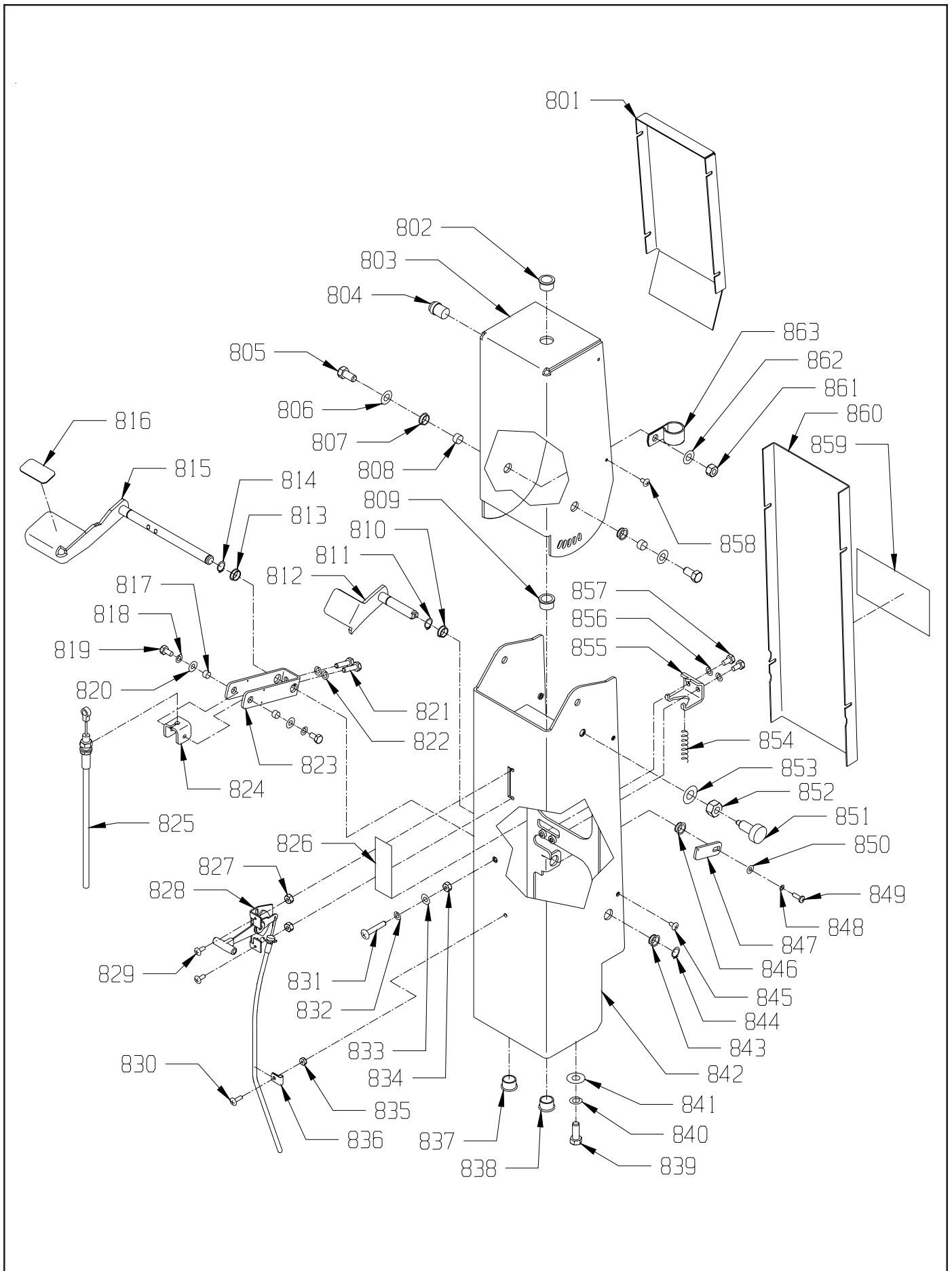
PIN NO.	PIN NO.
1	11 VACUUM MODE INPUT
2	12 BRUSH MODE INPUT
3 TRACTION SPEED INPUT	13
4	14 INHIBIT INPUT
5	15
6	16 HIGH SWITCH REF. 5V
7 HORN OUTPUT	17 ALARM OUTPUT
8 ON/OFF REF. (B+)	18 ON/OFF INPUT
9 THROTTLE LD. REF.	19 LOW SWITCH REF. 0V
10 THROTTLE WIPER	20 THROTTLE HI REF.

**P2 AUXILIARY INPUT/OUTPUT CONNECTOR**

PIN NO.	PIN NO.
1 SWITCHED B+ (BEACON & LIGHTS)	8 SWITCHED B+ (SOLUTION VALVE)
2 AUX. 4 OUTPUT (BEACON & LIGHTS)	9 AUX. 3 OUTPUT (SOLUTION VALVE)
3 AUX. 2 OUTPUT-	10 AUX. 2 OUTPUT +
4 AUX. 1 OUTPUT-	11 AUX. 1 OUTPUT +
5 LOW SWITCH REF. 0V	12 HIGH SWITCH REF. 5V
6 AUX. INPUT 1	13 AUX. INPUT 2
7 AUX INPUT 3	14 AUX. INPUT 4

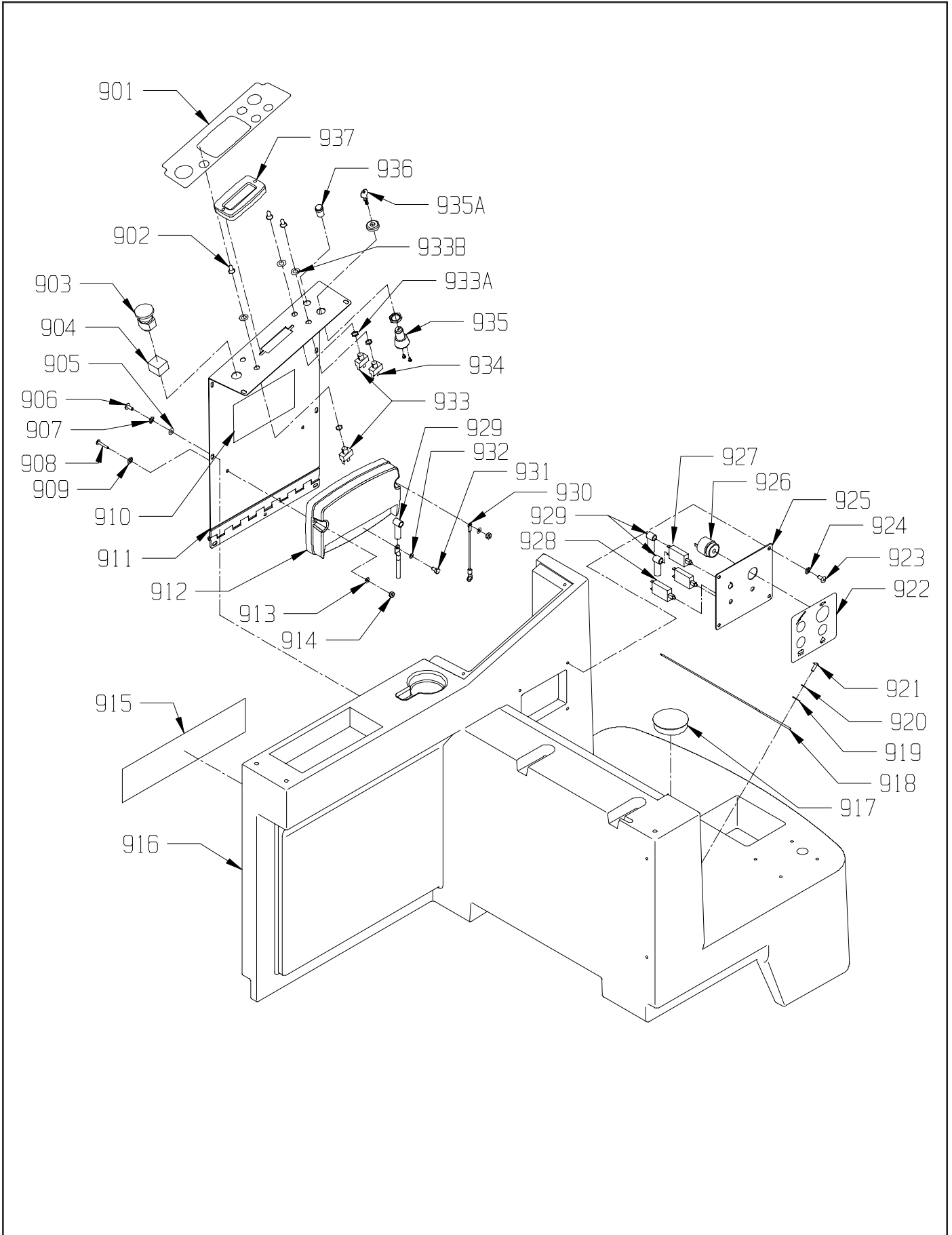
<b>ITEM</b>	<b>PART NO.</b>	<b>DESCRIPTION</b>	<b>QTY.</b>
801	7690743	TILT COLUMN COVER	1
802	2790761	BEARING, FLANGE FF-71	1
803	7690733	UPPER COLUMN	1
804	7691631	PUSH BUTTON SWITCH	1
805	9122300	3/8-16 X 1 1/4 HEX BOLT	2
806	9121400	3/8 I.D. X 7/8 O.D. X .064/.104 THICK WROUGHT WASHER (5/16)	2
807	7690691	NYLINER - STEERING TILT	2
808	2691181	PIVOT SPACER, STABILIZER BAR	2
809	2790761	BEARING, FLANGE FF-71	1
810	7690691	NYLINER - STEERING TILT	1
811	5091701	RETAINING RING	1
812	7691131	PARKING BRAKE PEDAL	1
813	7690691	NYLINER - STEERING TILT	1
814	5091701	RETAINING RING	1
815	7691101	BRAKE PEDAL	1
816	1390571	STEP TREAD	1
817	2791281	BUSHING SPACER	2
818	9120880	1/4 SPLIT LOCK WASHER	2
819	9121170	1/4-20 X 1/2 HEX BOLT	2
820	9120930	9/32 I.D. X 5/8 O.D. X .051/.080 THICK SAE FLAT WASHER (1/4)	2
821	9121270	1/4-20 X 1 HEX BOLT	2
822	9120880	1/4 SPLIT LOCK WASHER	2
823	7691111	BRAKE CABLE ARM	1
824	7691121	BRAKE CABLE PIVOT BRACKET	1
825	7690971	BRAKE CABLE	1
826	7692301	BLACK AND WHITE MINI KIT	1
827	9120360	10-24 HEX NUT WITH STAR LOCK WASHER	2
828	7691051	SOLUTION LEVER AND CABLE ASSEMBLY	1
829	9120420	10-24 X 5/8 ROUND HEAD PHILLIPS MACHINE SCREW	2
830	9120420	10-24 X 5/8 ROUND HEAD PHILLIPS MACHINE SCREW	1
831	9121130	1/4-20 X 1 1/2 TRUSS HEAD PHILLIPS MACHINE SCREW	1
832	9120880	1/4 SPLIT LOCK WASHER	1
833	9120930	9/32 I.D. X 5/8 O.D. X .051/.080 THICK SAE FLAT WASHER (1/4)	1
834	9120900	1/4-20 HEX NUT WITH NY-LOCK INSERT	1
835	9120360	10-24 HEX NUT WITH STAR LOCK WASHER	1
836	5294201	NYLON CABLE CLAMP	1
837	4890451	BUSHING, SNAP IN, #SB87511 HEYCO	1
838	2790761	BEARING, FLANGE FF-71	1
839	9122260	3/8-16 X 1 HEX BOLT	4
840	9122100	3/8 SPLIT LOCK WASHER	4
841	9121400	3/8 I.D. X 7/8 O.D. X .064/.104 THICK WROUGHT WASHER (5/16)	4
842	7690713	STEERING COLUMN - BASE	1
843	7690691	NYLINER - STEERING TILT	1
844	5091701	RETAINING RING	1
845	9120500	10-24 X 3/8 TRUSS HEAD PHILLIPS MACHINE SCREW	4
846	7690691	NYLINER - STEERING TILT	1
847	7691141	PARKING BRAKE SPRING ARM	1
848	9120320	#10 SPLIT LOCK WASHER	1
849	9120420	10-24 X 5/8 ROUND HEAD PHILLIPS MACHINE SCREW	1
850	9120370	7/32 I.D. X 1/2 O.D. X .032/.065 THICK SAE FLAT WASHER (#10)	1
851	7690701	RETRACTABLE PLUNGER - TILT STEERING	1
852	9122680	1/2-13 HEX JAM NUT	1
853	9122450	17/32 I.D. X 1 1/16 O.D. X .074/.121 THICK SAE FLAT WASHER (1/2)	1
854	4490641	EXTENSION SPRING	3
855	7691151	BRAKE RETURN SPRING BRACKET	1
856	9120880	1/4 SPLIT LOCK WASHER	2
857	9121170	1/4-20 X 1/2 HEX BOLT	2
858	9120500	10-24 X 3/8 TRUSS HEAD PHILLIPS MACHINE SCREW	4
859	7692311	CLOUD BURST DECAL 3.5 X 5.5	1
860	7690723	COVER - BASE	1
861	9122140	3/8-16 HEX NUT WITH NY-LOCK INSERT	2
862	9121400	3/8 I.D. X 7/8 O.D. X .064/.104 THICK WROUGHT WASHER (5/16)	2
863	2395761	CLAMP, TUBE	1

# STEERING COLUMN ASSEMBLY



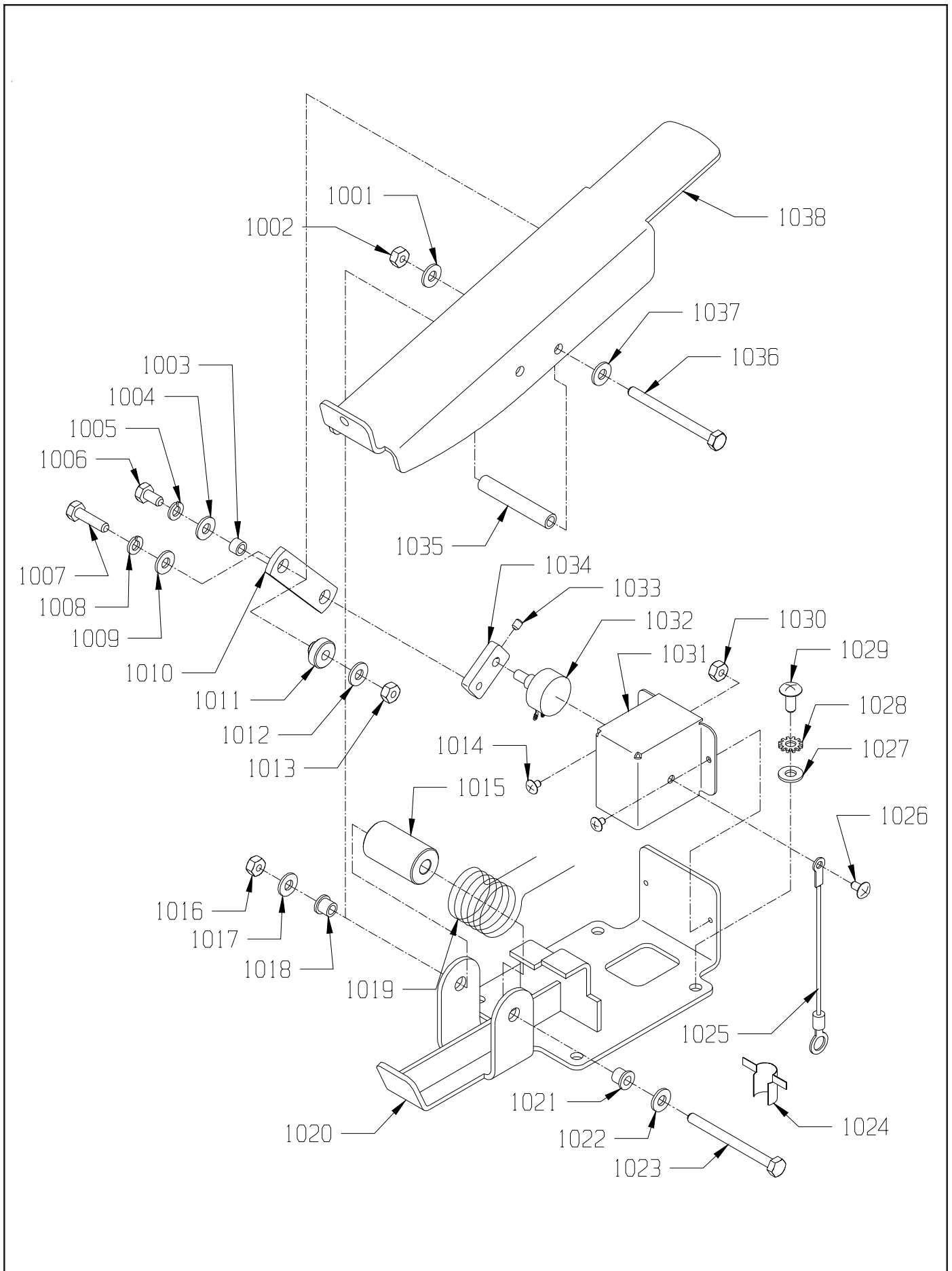
<u>ITEM</u>	<u>PART NO.</u>	<u>DESCRIPTION</u>	<u>QTY.</u>
901	7691811	ELECTRICAL PANEL - DECAL	1
902	0693141	RUBBER SWITCH BOOT	3
903	3393549	EMERGENCY STOP KIT	1
904	7691301	EMERGENCY STOP BLOCK	1
905	9120930	9/32 I.D. X 5/8 O.D. X .051/.080 THICK SAE FLAT WASHER (1/4)	7
906	9121000	1/4-20 X 5/8 TRUSS HEAD PHILLIPS MACHINE SCREW	7
907	9120970	1/4 EXTERNAL STAR LOCK WASHER	7
908	9120460	10-24 X 1 1/4 ROUND HEAD PHILLIPS MACHINE SCREW	2
909	9120330	#10 EXTERNAL STAR LOCK WASHER	2
910	7692391	WIRING DIAGRAM DECAL	1
911	7690113	ELECTRICAL PANEL	1
912	7691201	MACHINE CONTROL SYSTEM	1
913	9120370	7/32 I.D. X 1/2 O.D. X .032/.065 THICK SAE FLAT WASHER (#10)	2
914	9120350	10-24 HEX NUT WITH NY-LOK INSERT	2
915	7691891	CLOUD BURST DECAL - 3.5 X 20	1
916	7690011	SOLUTION TANK	1
917	6490791	PLUG 3"	1
918	7690123	ACTUATOR COVER PANEL	1
919	9120930	9/32 I.D. X 5/8 O.D. X .051/.080 THICK SAE FLAT WASHER (1/4)	4
920	9120970	1/4 EXTERNAL STAR LOCK WASHER	4
921	9121000	1/4-20 X 5/8 TRUSS HEAD PHILLIPS MACHINE SCREW	4
922	7692301	BLACK AND WHITE MINI KIT	1
923	9121000	1/4-20 X 5/8 TRUSS HEAD PHILLIPS MACHINE SCREW	4
924	9120970	1/4 EXTERNAL STAR LOCK WASHER	4
925	7690103	PANEL - CIRCUIT BREAKER	1
926	7691221	BACK UP ALARM	1
927	6491261	CIRCUIT BREAKER - 90 AMP	1
928	4890791	CIRCUIT BREAKER - 2 AMP	2
929	7692421	TERMINAL BOOT	3
930	7691731	GROUND WIRE	1
931	9120835	M6 X 12.7 HEX HEAD BOLT	2
932	9120970	1/4 EXTERNAL STAR LOCK WASHER	2
933	4491101	TOGGLE SWITCH, MOTOR - INCLUDES:	2
933A	0798821	5/8 HEX NUT (LARGE NUT)	3
933B	0691851	1/2" INTERNAL STAR LOCK WASHER	3
934	3390411	FORWARD - REVERSE SWITCH - INCLUDES:	1
933A	0798821	5/8 HEX NUT (LARGE NUT)	3
933B	0691851	1/2" INTERNAL STAR LOCK WASHER	3
935	2795711	KEY SWITCH WITH KEY - INCLUDES:	1
935A	2796131	REPLACEMENT KEY FOR 2795711	1
936	7691631	PUSH BUTTON SWITCH	1
937	7691211	LCD MODULE	1

# ELECTRICAL PANEL ASSEMBLY



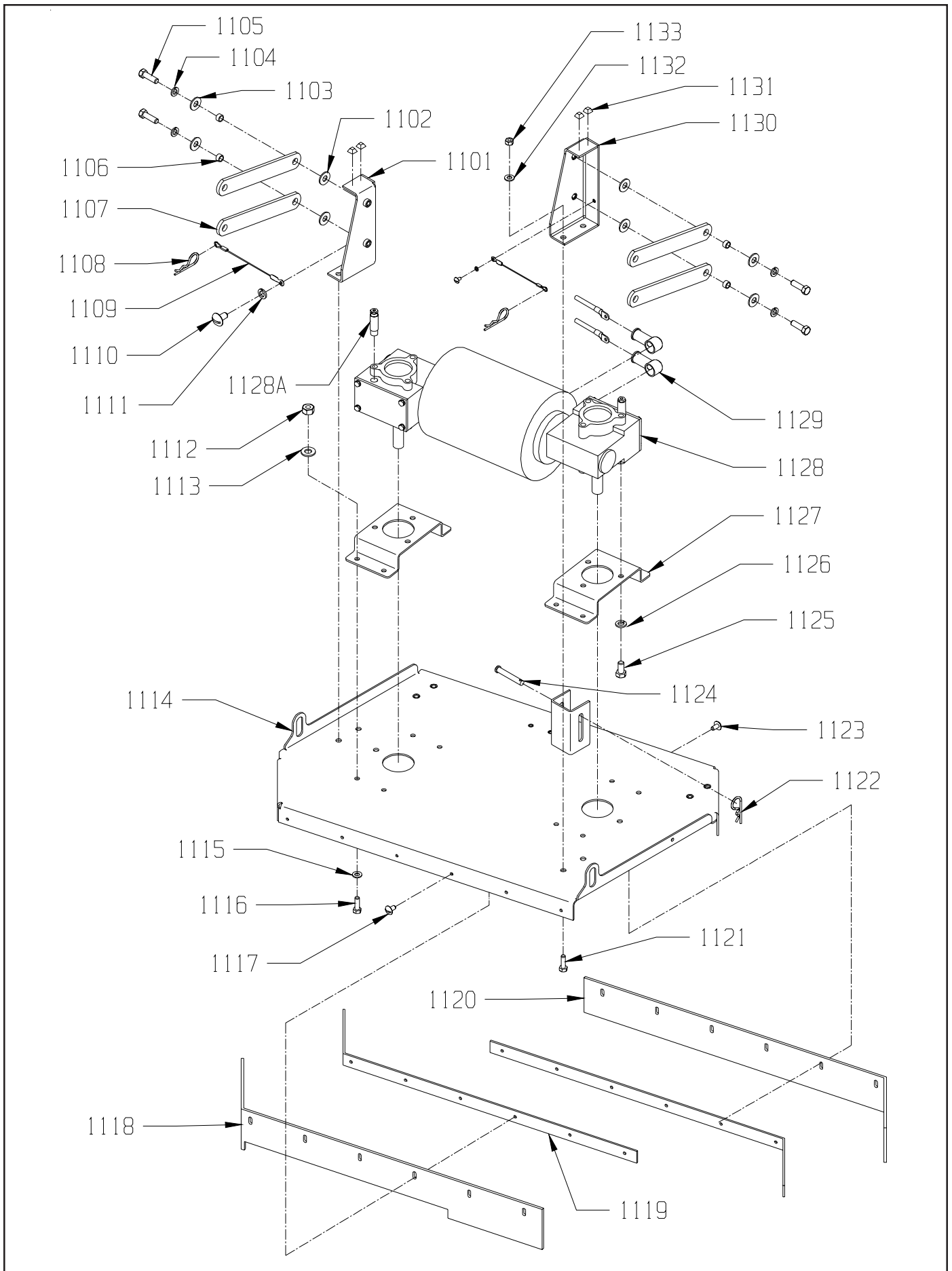
<b>ITEM</b>	<b>PART NO.</b>	<b>DESCRIPTION</b>	<b>QTY.</b>
1001	9120930	9/32 I.D. X 5/8 O.D. X .051/.080 THICK SAE FLAT WASHER (1/4)	1
1002	9120900	1/4-20 HEX NUT WITH NY-LOK INSERT	1
1003	2791281	BUSHING SPACER	1
1004	9120930	9/32 I.D. X 5/8 O.D. X .051/.080 THICK SAE FLAT WASHER (1/4)	1
1005	9120880	1/4 SPLIT LOCK WASHER	1
1006	9121210	1/4-20 X 5/8 HEX BOLT	1
1007	9121060	1/4-20 X 1 1/4 HEX BOLT	1
1008	9120880	1/4 SPLIT LOCK WASHER	1
1009	9120930	9/32 I.D. X 5/8 O.D. X .051/.080 THICK SAE FLAT WASHER (1/4)	1
1010	7690891	ACCELERATOR PEDAL ARM	1
1011	2691771	PIN, SKIRT LATCH	1
1012	9120930	9/32 I.D. X 5/8 O.D. X .051/.080 THICK SAE FLAT WASHER (1/4)	1
1013	9120900	1/4-20 HEX NUT WITH NY-LOK INSERT	1
1014	9120210	8-32 X 1/4 TRUSS HEAD PHILLIPS MACHINE SCREW	2
1015	7690811	GUIDE	1
1016	9120900	1/4-20 HEX NUT WITH NY-LOK INSERT	1
1017	9120930	9/32 I.D. X 5/8 O.D. X .051/.080 THICK SAE FLAT WASHER (1/4)	1
1018	7690801	1/4 I.D. X 3/8 O.D. X 3/8 LONG FLANGE BEARING - THROTTLE PEDAL	1
1019	7690821	TORSION SPRING - ACCELERATOR PEDAL	1
1020	7691961	PIVOT BRACKET - ACCELERATOR	1
1021	7690801	1/4 I.D. X 3/8 O.D. X 3/8 LONG FLANGE BEARING - THROTTLE PEDAL	1
1022	9120930	9/32 I.D. X 5/8 O.D. X .051/.080 THICK SAE FLAT WASHER (1/4)	1
1023	9121350	1/4-20 X 3 HEX HEAD BOLT	1
1024	5091661	CORD CLAMP	1
1025	7691731	GROUND WIRE	1
1026	9120500	10-24 X 3/8 TRUSS HEAD PHILLIPS MACHINE SCREW	1
1027	9120930	9/32 I.D. X 5/8 O.D. X .051/.080 THICK SAE FLAT WASHER (1/4)	4
1028	9120970	1/4 EXTERNAL STAR LOCK WASHER	4
1029	9121000	1/4-20 X 5/8 TRUSS HEAD PHILLIPS MACHINE SCREW	1
1030	9120350	10-24 HEX NUT WITH NY-LOK INSERT	1
1031	7690851	COVER - POTENTIOMETER	1
1032	2694131	POTENTIOMETER - CURTIS SPEED CONTROL	1
1033	9120225	8-32 X 1/4 SET SCREW - KNURL POINT - ALLOY	1
1034	7690881	POTENTIOMETER ARM	1
1035	7691951	ACCELERATOR SPRING SPACER	1
1036	9121350	1/4-20 X 3 HEX HEAD BOLT	1
1037	9120930	9/32 I.D. X 5/8 O.D. X .051/.080 THICK SAE FLAT WASHER (1/4)	1
1038	7690833	PEDAL - ACCELERATOR	1

# ACCELERATOR PEDAL ASSEMBLY



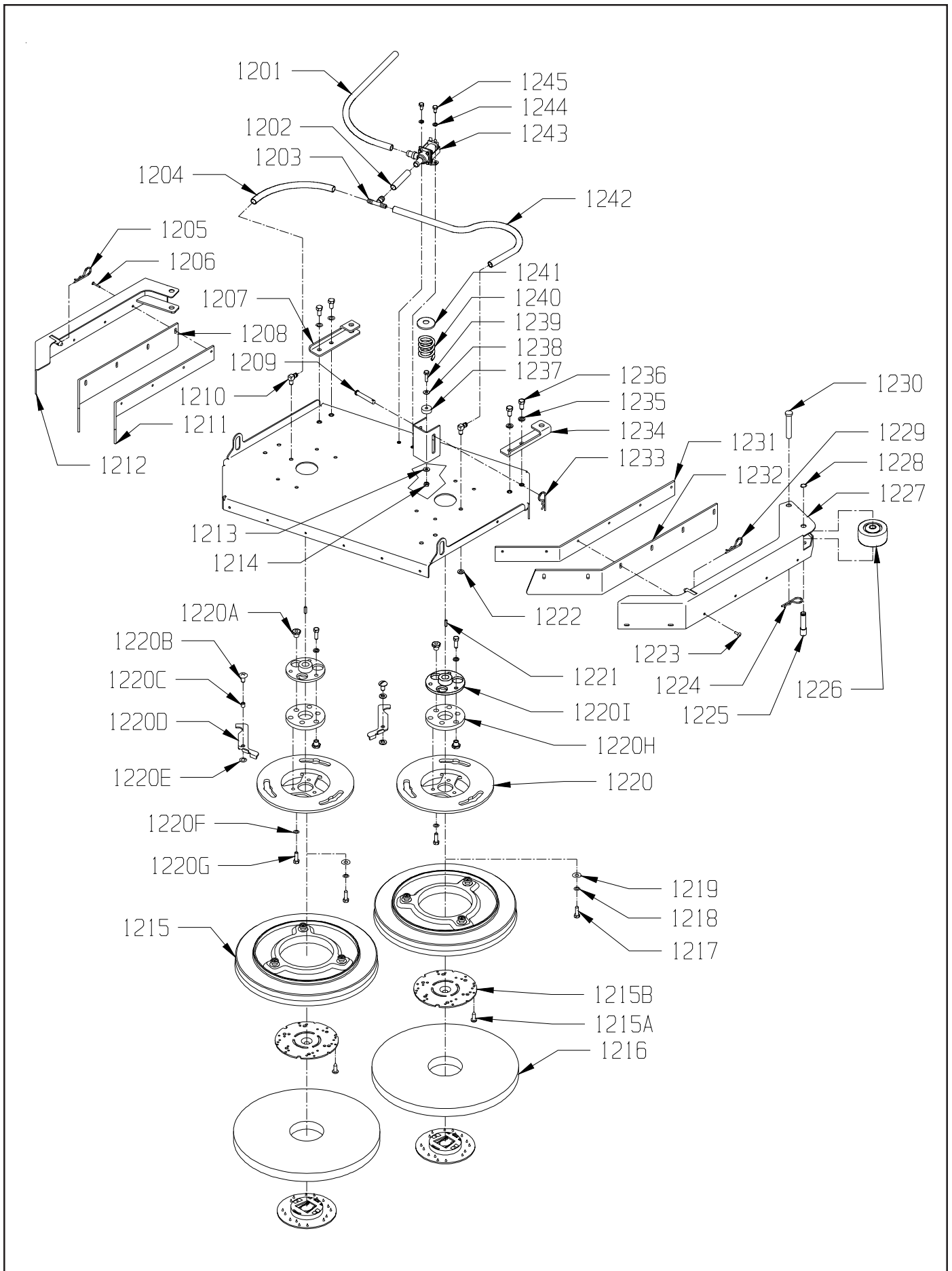
<u>ITEM</u>	<u>PART NO.</u>	<u>DESCRIPTION</u>	<u>QTY.</u>
1101	7690461	BRUSH PLATE MOUNT BRACKET - LEFT HAND	1
1102	9121400	3/8 I.D. X 7/8 O.D. X .064/.104 THICK WROUGHT WASHER (5/16)	4
1103	9121400	3/8 I.D. X 7/8 O.D. X .064/.104 THICK WROUGHT WASHER (5/16)	4
1104	9122100	3/8 SPLIT LOCK WASHER	4
1105	9122300	3/8-16 X 1 1/4 HEX BOLT	4
1106	2691181	PIVOT SPACER, STABILIZER BAR	8
1107	2691171	STABILIZER BAR	4
1108	7690491	#6 HAIR COTTER PIN	2
1109	7691331	LANYARD	2
1110	9120380	10-24 X 3/8 ROUND HEAD PHILLIPS MACHINE SCREW	2
1111	9120320	#10 SPLIT LOCK WASHER	2
1112	9121450	5/16-18 HEX NUT WITH NY-LOK INSERT	8
1113	9120940	5/16 I.D. X 3/4 O.D. X .051/.080 THICK WROUGHT WASHER (1/4)	8
1114	7690403	BRUSH MOTOR PLATE	1
1115	9120940	5/16 I.D. X 3/4 O.D. X .051/.080 THICK WROUGHT WASHER (1/4)	8
1116	9121680	5/16-18 X 1 HEX BOLT	8
1117	9120510	10-24 X 1/2 TRUSS HEAD PHILLIPS MACHINE SCREW	8
1118	7690421	REAR SKIRT RUBBER	1
1119	7690431	SKIRT RUBBER SECURING STRAP	2
1120	7690411	FRONT SKIRT RUBBER	1
1121	9122260	3/8-16 X 1 HEX BOLT	4
1122	7690491	#6 HAIR COTTER PIN	1
1123	9120510	10-24 X 1/2 TRUSS HEAD PHILLIPS MACHINE SCREW	8
1124	7690311	3/8" DIAMETER X 2.505" LONG CLEVIS PIN	1
1125	9122220	3/8-16 X 3/4 HEX BOLT	6
1126	9122100	3/8 SPLIT LOCK WASHER	6
1127	7690441	BRUSH MOTOR MOUNT	2
1128	7690091	BRUSH MOTOR - INCLUDES:	1
	7691841	BRUSH MOTOR GEAR BOX	2
	7692041	REPLACEMENT CARBON BRUSH - BRUSH MOTOR	4
1128A	7691771	BREATHER ASSEMBLY	2
1129	6492051	STUD TERMINAL BOOT - RUBBER	2
1130	7690451	BRUSH PLATE MOUNT BRACKET - RIGHT HAND	1
1131	2392261	BUMPER BUTTON	4
1132	9121400	3/8 I.D. X 7/8 O.D. X .064/.104 THICK WROUGHT WASHER (5/16)	4
1133	9122140	3/8-16 HEX NUT WITH NY-LOK INSERT	4

# UPPER BRUSH DRIVE ASSEMBLY



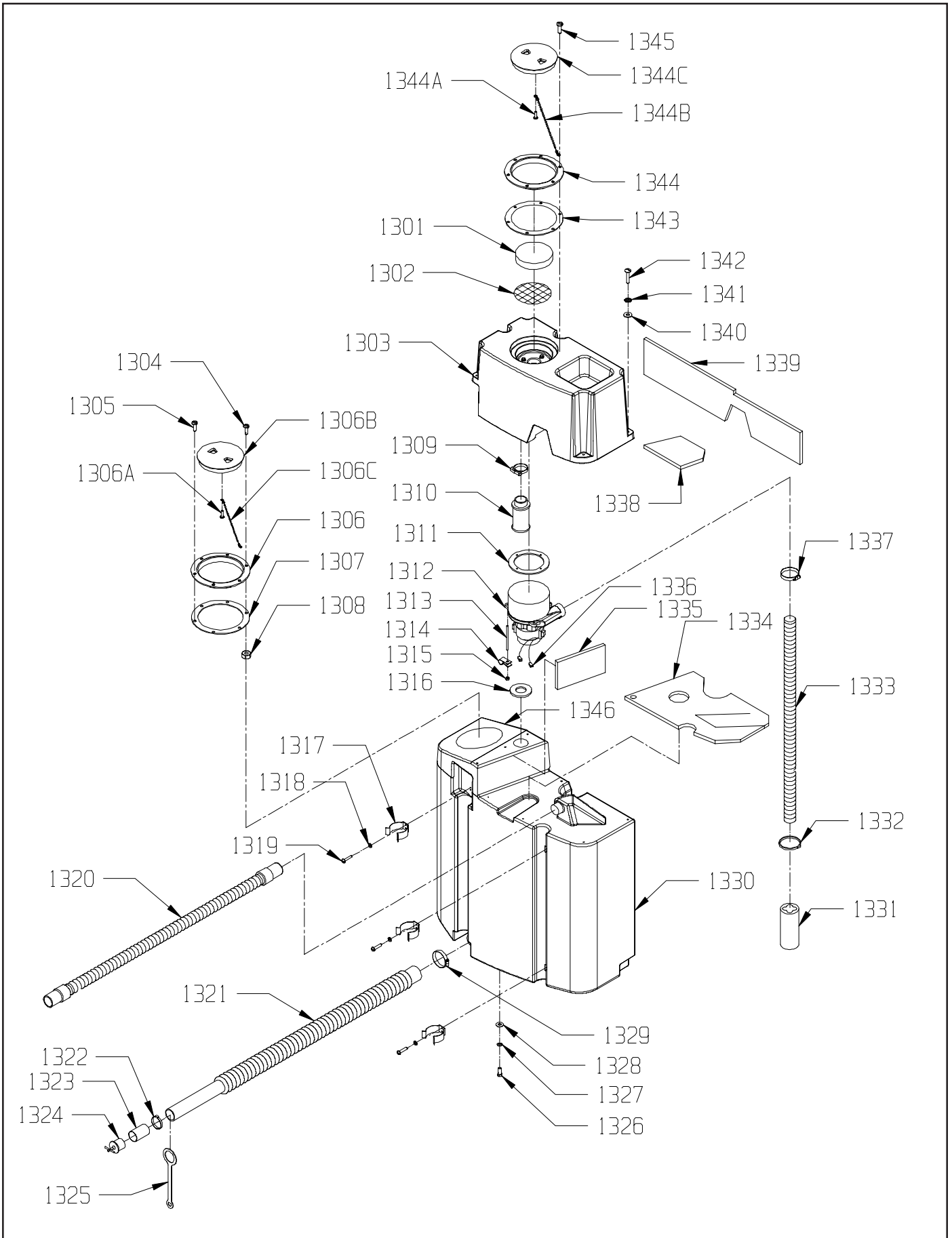
<b>ITEM</b>	<b>PART NO.</b>	<b>DESCRIPTION</b>	<b>QTY.</b>
1201	8791180	HOSE - VINYL 1/2" I.D. X 3/4" O.D. (CUT TO 30")	2.5
1202	8791180	HOSE - VINYL 1/2" I.D. X 3/4" O.D. (CUT TO 2")	.2
1203	7691371	TEE - 3/8 X 3/8 X 1/2	1
1204	8791070	HOSE - VINYL 3/8" I.D. X 1/2" O.D. (CUT TO 12")	1
1205	7690491	#6 HAIR COTTER PIN	1
1206	9120510	10-24 X 1/2 TRUSS HEAD PHILLIPS MACHINE SCREW	6
1207	7690481	SKIRT MOUNT BRACKET - LEFT HAND	1
1208	7690271	SIDE SKIRT BLADE - LEFT HAND	1
1209	7690311	3/8" DIAMETER X 2.505" LONG CLEVIS PIN	1
1210	5092632	90 DEGREE SOLUTION FEED TUBE	2
1211	7690281	SIDE SKIRT STRAP - LEFT HAND	1
1212	7690263	LEFT SIDE SKIRT	1
1213	9120930	9/32 I.D. X 5/8 O.D. X .051/.080 THICK SAE FLAT WASHER (1/4)	1
1214	9120900	1/4-20 HEX NUT WITH NY-LOK INSERT	1
1215	7691491	PAD DRIVER 15" - INCLUDES:	2
1215B	5990731	SPRING CLIP PAD HOLDER SET	1
1215A	9120790	10 X 5/8 PAN HEAD PHILLIPS SHEET METAL SCREW	3
1215	7691501	BASSINE BRUSH 14" POLY BLOCK (OPTIONAL)	2
	7691511	NYLON BRUSH 14" POLY BLOCK (OPTIONAL)	2
	7691521	STRATAGRIT BRUSH 14" POLY BLOCK (OPTIONAL)	2
1216	-----	PAD - SEE ACCESSORIES PAGE FOR TYPES	2
1217	9121680	5/16-18 X 1 HEX BOLT	2
1218	9121520	5/16 SPLIT LOCK WASHER	2
1219	9121985	13/32 I.D. X 1 O.D. X .12 THICK FLAT WASHER (11 GAGE)	2
1220	7691449	LEFT DRIVE CASTING ASSEMBLY	1
	7691459	RIGHT DRIVE CASTING ASSEMBLY	1
	2698072	DRIVE CASTING	2
1220A	2698081	DRIVE LUG	12
1220B	9121090	1/4-20 X 1/2 TRUSS HEAD PHILLIPS MACHINE SCREW	2
1220C	2791281	BUSHING SPACER	2
1220D	2790211	DRIVE PLATE LATCH	2
1220E	9122120	3/8 I.D. X 5/8 O.D. X .031 THICK WAVE SPRING WASHER	2
1220F	9121520	5/16 SPLIT LOCK WASHER	12
1220G	9121680	5/16-18 X 1 HEX BOLT	12
1220H	2698061	RUBBER MOUNT	2
1220I	7691382	DRIVE HUB	2
1221	9120827	3/6" SQUARE X 1" LONG KEY	2
1222	5092641	RETAINING RING	2
1223	9120510	10-24 X 1/2 TRUSS HEAD PHILLIPS MACHINE SCREW	6
1224	7690491	#6 HAIR COTTER PIN	2
1225	7690941	BUMPER WHEEL AXLE	1
1226	2790281	BUMPER WHEEL	1
1227	7690233	RIGHT SIDE SKIRT	1
1228	5091701	RETAINING RING	1
1229	7690491	#6 HAIR COTTER PIN	1
1230	9122685	1/2 X 2 7/8 CLEVIS PIN	2
1231	7690241	SIDE SKIRT BLADE - RIGHT HAND	1
1232	7690251	SIDE SKIRT STRAP - RIGHT HAND	1
1233	7690491	#6 HAIR COTTER PIN	1
1234	7690471	SKIRT MOUNT BRACKET - RIGHT HAND	1
1235	9122100	3/8 SPLIT LOCK WASHER	4
1236	9122220	3/8-16 X 3/4 HEX BOLT	4
1237	7691361	ACTUATOR SPRING GUIDE	1
1238	9120930	9/32 I.D. X 5/8 O.D. X .051/.080 THICK SAE FLAT WASHER (1/4)	1
1239	9121270	1/4-20 X 1 HEX BOLT	1
1240	7691171	COMPRESSION SPRING	1
1241	3190191	STRING GUARD	1
1242	8791070	HOSE - VINYL 3/8" I.D. X 1/2" O.D. (CUT TO 18")	1.5
1243	7690521	SOLUTION SOLENOID VALVE	1
1244	9120880	1/4 SPLIT LOCK WASHER	2
1245	9121170	1/4-20 X 1/2 HEX BOLT	2

# LOWER BRUSH DRIVE ASSEMBLY



<b>ITEM</b>	<b>PART NO.</b>	<b>DESCRIPTION</b>	<b>QTY.</b>
1301	7690791	VAC MOTOR FILTER	1
1302	7690781	VAC MOTOR SCREEN	1
1303	7693861	VAC MOTOR COVER	1
1304	9120450	10-24 X 1 ROUND HEAD PHILLIPS MACHINE SCREW	1
1305	9120790	10 X 5/8 PAN HEAD PHILLIPS SHEET METAL SCREW	5
1306	2690881	RECOVERY TANK LID ASSEMBLY	1
	2690921	BLACK RING, RECOVERY TANK	1
1306A	9120205	#8 X 1/2 PAN HEAD PHILLIPS SHEET METAL SCREW	1
1306B	2690911	LID - CLEAR, RECOVERY TANK	1
1306C	2690931	LID CHAIN, RECOVERY TANK	1
1307	2690891	RECOVERY TANK LID GASKET	1
1308	9120350	10-24 HEX NUT WITH NY-LOK INSERT	1
1309	4894081	NYLON HOSE CLAMP - 1 19/32" TO 1 13/16" DIAMETER	1
1310	2391541	FLOAT SCREEN ASSEMBLY	1
1311	2490561	GASKET - VAC MOTOR	1
1312	2690551	VAC MOTOR, 36 VOLT	1
	2792571	REPLACEMENT CARBON BRUSH	2
1313	9121363	1/4-20 X 4 1/2" FULLY THREADED STUD	3
1314	4890851	CABLE CLAMP	1
	9120930	9/32 I.D. X 5/8 O.D. X .051/0080 THICK SAE FLAT WASHER (1/4)	2
1315	9121360	1/4-20 HEX NUT WITH NY-LOK INSERT	3
1316	7691351	GASKET - 1 1/2" I.D. X 3" O.D.	1
1317	7691921	SPRING CLIP - HOSE	3
1318	9120030	#6 SPLIT LOCK WASHER	6
1319	9120070	6-32 X 3/8 ROUND HEAD PHILLIPS MACHINE SCREW	6
1320	7690951	VACUUM HOSE WITH CUFFS	1
1321	2391671	DRAIN HOSE, CRUSHPROOF	1
1322	2392161	TUBE HOSE CLAMP - CRIMP TYPE	1
1323	2391661	HOSE TUBE	1
1324	2795621	DRAIN PLUG	1
1325	2791881	PLUG STRAP	1
1326	9122220	3/8-16 X 3/4 HEX HEAD BOLT	2
1327	9122100	3/8 SPLIT LOCK WASHER	2
1328	9121400	3/8 I.D. X 7/8 O.D. X .064/.104 THICK WROUGHT WASHER (5/16)	2
1329	4495441	HOSE CLAMP - 1 9/16" TO 2 1/2" DIAMETER	1
1330	7690021	RECOVERY TANK	1
1331	7691261	EXHAUST MUFFLER TUBE	1
1332	9123000	1/8 X 11" WIRE TIE	1
1333	7693901	FLEXIBLE VACUUM MOTOR DISCHARGE HOSE	1
1334	7693841	VAC COVER INSULATION - BOTTOM	1
1335	7693871	VAC COVER INSULATION - SIDE - SMALL	1
1336	2690581	1/4 SPADE MALE TERMINAL 10 X 12 YELLOW	2
1337	4495441	HOSE CLAMP - 1 9/16" TO 2 1/2" DIAMETER	1
1338	7693891	VAC COVER INSULATION - TOP	1
1339	7693881	VAC COVER INSULATION - SIDE - LARGE	1
1340	9120933	.250 I.D. X .875 O.D. X .075 THICK FLAT WASHER	6
1341	9120330	#10 EXTERNAL STAR LOCK WASHER	6
1342	9120535	10-24 X 1 1/2 TRUSS HEAD PHILLIPS MACHINE SCREW	6
1343	2690891	RECOVERY TANK LID GASKET	1
1344	2690881	RECOVERY TANK LID ASSEMBLY	1
	2690921	BLACK RING, RECOVERY TANK	1
1344A	9120205	#8 X 1/2 PAN HEAD PHILLIPS SHEET METAL SCREW	1
1344B	2690931	LID CHAIN, RECOVERY TANK	1
1344C	2690911	LID - CLEAR, RECOVERY TANK	1
1345	9120790	10 X 5/8 PAN HEAD PHILLIPS SHEET METAL SCREW	7
1346	8891180	GASKET - 1" X 1/4"	2

# RECOVERY TANK



# ACCESSORIES



7991501, 7991521  
7991541, 7991551



7691839

7691829



7692181



2691501, 3390361,  
7691401



7693851



7692141



2392179



2392129

**PART NO.**

**DESCRIPTION**

- 7991501 15" BLACK STRIP PAD - CASE 5
- 7991521 15" GREEN SCRUB PAD - CASE 5
- 7991541 15" UHS CLEANBUFF PAD - CASE 5
- 7991551 15" LITE BLUE FINISH PAD - CASE 5
- 7691839 HEADLIGHT KIT
- 7691829 OVERHEAD LIGHT KIT
- 2691501 BATTERY - 325 AMP HOUR - 6 VOLT DC - WET
- 3390361 BATTERY - 225 AMP HOUR - 6 VOLT DC - WET
- 7691401 BATTERY - 395 AMP HOUR - 6 VOLT DC - WET
- 7692141 AUTO FILL BATTERY SYSTEM
- 7692181 LOW WATER BATTERY ALARM
- 7693851 VAC MOTOR, 36VOLT
- 2392129 WET PICKUP KIT, INCLUDES:
  - 2291211 5" CONNECTOR, ALUMINUM
  - 2391231 VACUUM HOSE, 7 FOOT
  - 2391241 HOSE STRAP
  - 5797011 TOOL - SQUEEGEE WITH WHEELS - 15"
  - 5790469 WAND SET 1 1/2 - INCLUDES
  - 5790471 LOWER WAND - 1 1/2"
  - 5790481 UPPER WAND - 1 1/2"
- 2392179 BRUSH / SQUEEGEE KIT, INCLUDES:
  - 2291211 5" CONNECTOR, ALUMINUM
  - 2290209 STEEL WAND, 1 PIECE
  - 2391231 VACUUM HOSE, 7 FOOT
  - 3097849 14" BRUSH / SQUEEGEE TOOL
- 7691889 SLIP RESISTANT 12 X 3 1/2 WHEEL ASSEMBLY
- 7691881 SLIP RESISTANT 12 X3 1/2 WHEEL



**NSS ® Enterprises, Inc.**

3115 Frenchmens Road, Toledo, Ohio 43607  
 PHONE (419) 531-2121 FAX (419) 531-3761  
**NSS® Enterprises, Inc. European Distribution Centre**  
 Unit II, Pinfold Trading Estate \* 55 Nottingham Road  
 STAPLEFORD, NOTTINGHAM NG9 8AD ENGLAND U.K.  
 PHONE: (44) 0115 939 1568 \* FAX: (44) 0115 949 0615