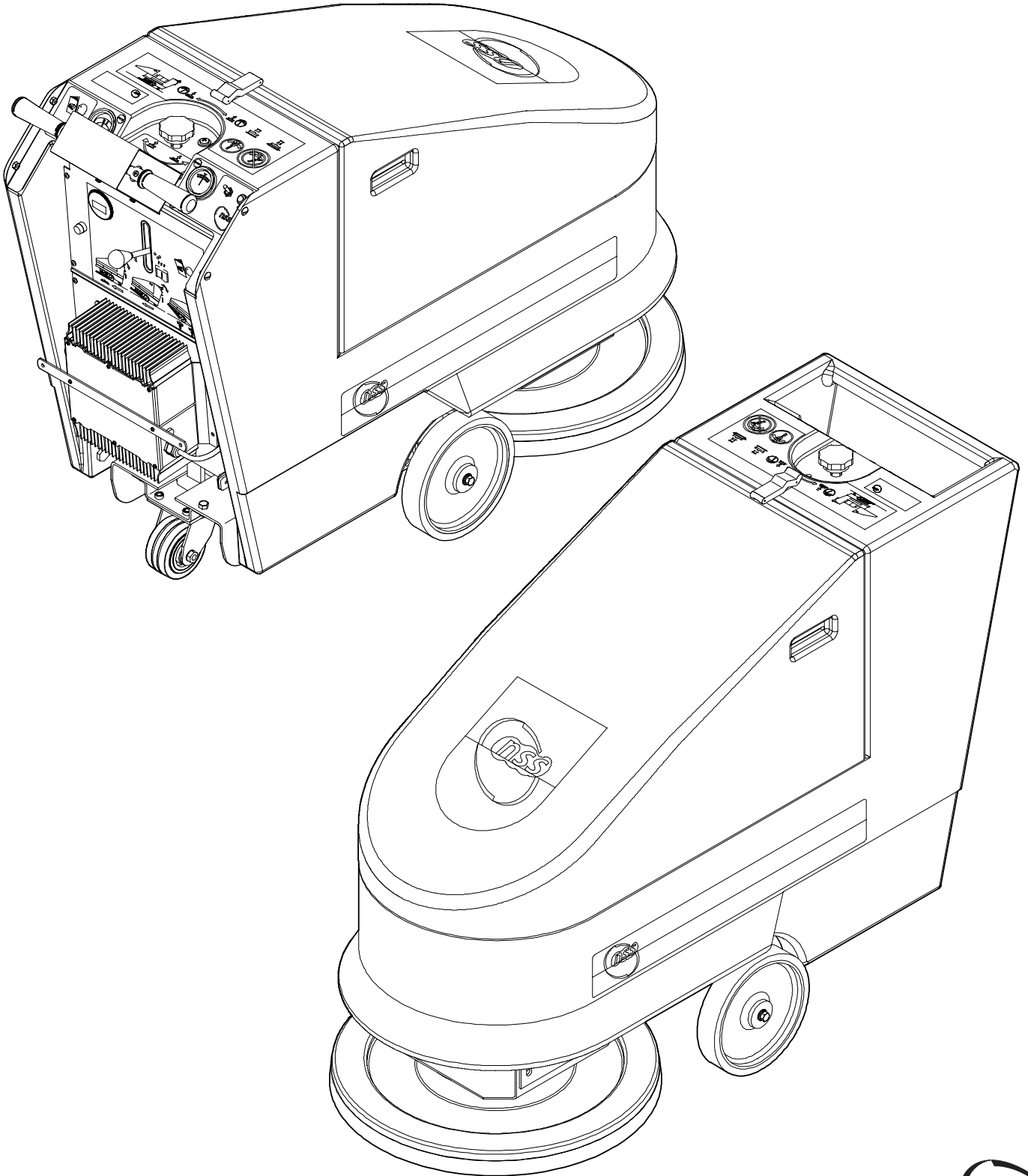


PARTS LIST

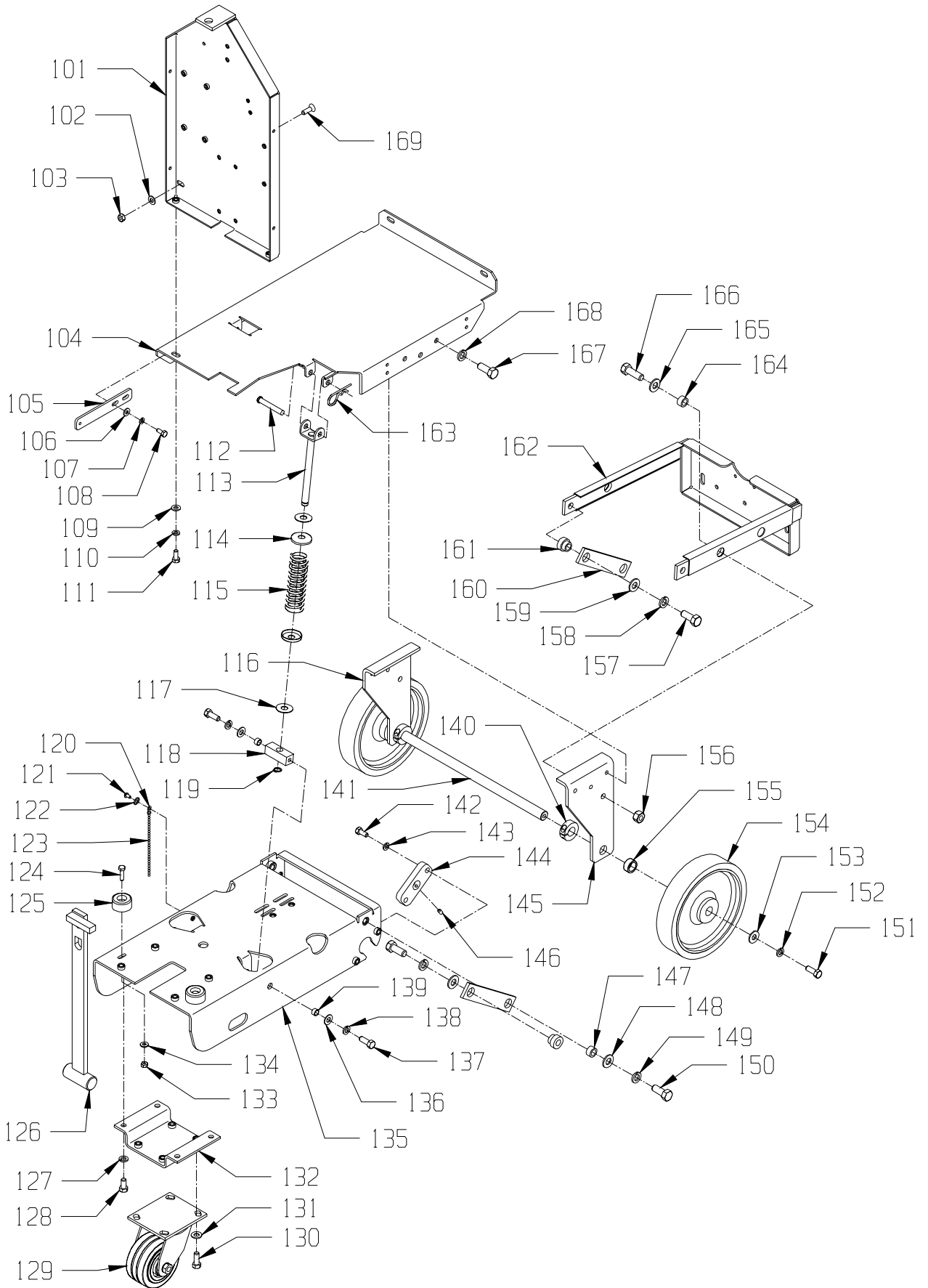
# CHARGER 2025 AB

# CHARGER 2025 DB



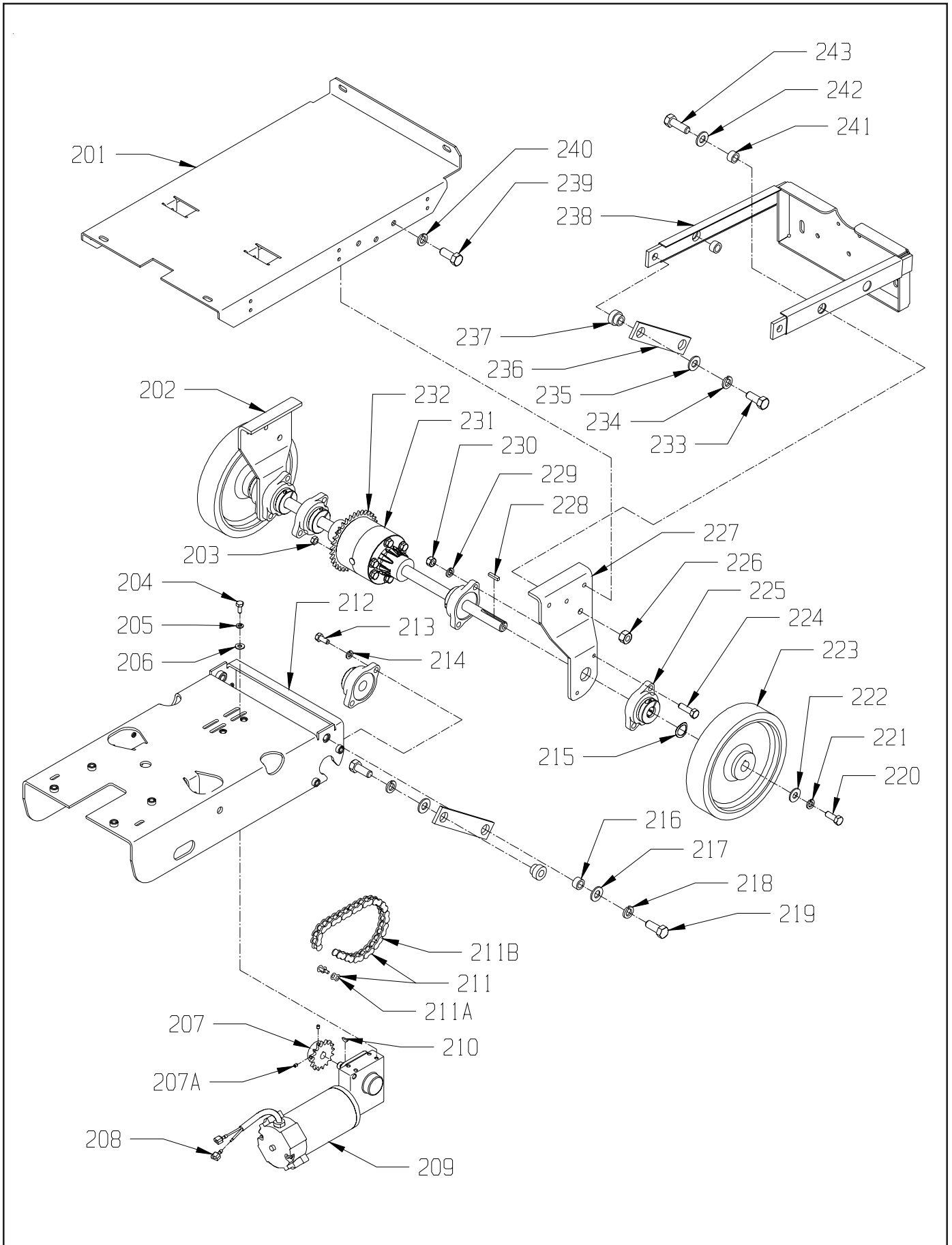
<u>ITEM</u>	<u>PART NO.</u>	<u>DESCRIPTION</u>	<u>QTY.</u>
101	6495511	CONTROL FRAME WELDMENT	1
102	9121390	11/32 I.D. X 11/16 O.D. X .051/.080 THICK SAE FLAT WASHER (5/16) - PACK OF 10	2
103	9121450	5/16-18 HEX NUT WITH NY-LOK INSERT - PACK OF 5	2
104	6495071	BASE PLATE	1
105	6495831	HINGE PLATE	2
106	9120930	9/32 I.D. X 5/8 O.D. X .051/.080 THICK SAE FLAT WASHER (1/4) - PACK OF 10	4
107	9120880	1/4 SPLIT LOCK WASHER - PACK OF 10	4
108	9121210	1/4-20 X 5/8 HEX BOLT - PACK OF 10	4
109	9121390	11/32 I.D. X 11/16 O.D. X .051/.080 THICK SAE FLAT WASHER (5/16) - PACK OF 10	2
110	9121520	5/16 SPLIT LOCK WASHER - PACK OF 10	2
111	9121640	5/16-18 X 3/4 HEX BOLT - PACK OF 5	2
112	7690311	3/8 DIAMETER X 2.5 CLEVIS PIN	2
113	6495881	SPRING GUIDE	2
114	3190191	STRING GUARD	4
115	6495871	COMPRESION SPRING	2
116	6495241	BASE LEG CHARGER - LEFT	1
117	5390811	1/2 X 1 X .07 THICK FLAT WASHER - NYLATRON	4
118	6495891	PIVOT	2
119	5091701	RETAINING RING	1
120	6491871	END COUPLING ROUND BEAD CHAIN	1
121	9120380	10-24 X 3/8 ROUND HEAD PHILLIPS MACHINE SCREW - PACK OF 10	1
122	9120330	10 EXTERNAL STAR LOCK WASHER - PACK OF 10	1
123	6491860	ROUND BEAD CHAIN (CUT LENGTH 6")	.5'
124	9121270	1/4-20 X 1 HEX BOLT - PACK OF 10	2
125	4894461	RUBBER STOP	2
126	6490701	CATCH ASSEMBLY	1
127	9122100	3/8 SPLIT LOCK WASHER - PACK OF 10	4
128	9122220	3/8-16 X 3/4 HEX BOLT - PACK OF 5	4
129	6492061	RED 4 INCH CASTER - INCLUDES:	1
	4490391	CASTER WHEEL WITH BEARING	1
130	9122260	3/8-16 X 1 HEX BOLT - PACK OF 2	4
131	9122100	3/8 SPLIT LOCK WASHER - PACK OF 10	4
132	6495141	CASTER MOUNT	1
133	9120900	1/4-20 HEX NUT WITH NY-LOK INSERT - PACK OF 10	2
134	9120930	9/32 I.D. X 5/8 O.D. X .051/.080 THICK SAE FLAT WASHER (1/4) - PACK OF 10	2
135	6495151	FRAME	1
136	9122180	13/32 I.D. X 13/16 O.D. X .051/.080 THICK WROUGHT WASHER (3/8) - PACK OF 10	4
137	9122260	3/8-16 X 1 HEX BOLT - PACK OF 2	4
138	9122100	3/8 SPLIT LOCK WASHER - PACK OF 10	4
139	2691181	PIVOT SPACER, STABILIZER BAR	4
140	6490201	SUPPORT-LEG, SHAFT COLLAR	2
141	4492546	AXLE, BASE PLATED	1
142	9122260	3/8-16 X 1 HEX BOLT - PACK OF 2	4
143	9122100	3/8 SPLIT LOCK WASHER - PACK OF 10	4
144	6495271	AXLE BLOCK	2
145	6495231	BASE LEG CHARGER - RIGHT	1
146	9120637	1/4-20 X 1/4 SET SCREW - CUP POINT - PACK OF 5	2
147	4492791	BUSHING, PIVOT	2
148	9122450	17/32 I.D. X 1 1/16 O.D. X .074/.121 THICK SAE FLAT WASHER (1/2) - PACK OF 5	2
149	9122420	1/2 SPLIT LOCK WASHER - PACK OF 5	2
150	9122540	1/2-13 X 1 1/4 HEX BOLT - PACK OF 1 - PACK OF 1	2
151	9122260	3/8-16 X 1 HEX BOLT - PACK OF 2	2
152	9122100	3/8 SPLIT LOCK WASHER - PACK OF 10	2
153	9122180	13/32 I.D. X 13/16 O.D. X .051/.080 THICK WROUGHT WASHER (3/8) - PACK OF 10	2
154	4490511	WHEEL - 8"	2
155	4492921	WHEEL SPACER	2
156	9122495	1/2-13 HEX NUT WITH NY-LOK INSERT - THIN - PACK OF 1	2
157	9122540	1/2-13 X 1 1/4 HEX BOLT - PACK OF 1	2
158	9122420	1/2 SPLIT LOCK WASHER - PACK OF 5	2
159	9122450	17/32 I.D. X 1 1/16 O.D. X .074/.121 THICK SAE FLAT WASHER (1/2) - PACK OF 5	2
160	6490691	LIFT ARM	2
161	4495141	LIFT ARM SPACER	2
162	6495501	PIVOT WELDMENT	1
163	7690491	#6 HAIR COTTER PIN	2
164	4492791	BUSHING, PIVOT	2
165	9122450	17/32 I.D. X 1 1/16 O.D. X .074/.121 THICK SAE FLAT WASHER (1/2) - PACK OF 5	2
166	9122540	1/2-13 X 1 1/4 HEX BOLT - PACK OF 1	2
167	9122220	3/8-16 X 3/4 HEX BOLT - PACK OF 5	6
168	9122100	3/8 SPLIT LOCK WASHER - PACK OF 10	6
169	9121470	5/16-18 X 1 FLAT HEAD PHILLIPS MACHINE SCREW - PACK OF 5	4

# BASE - AB



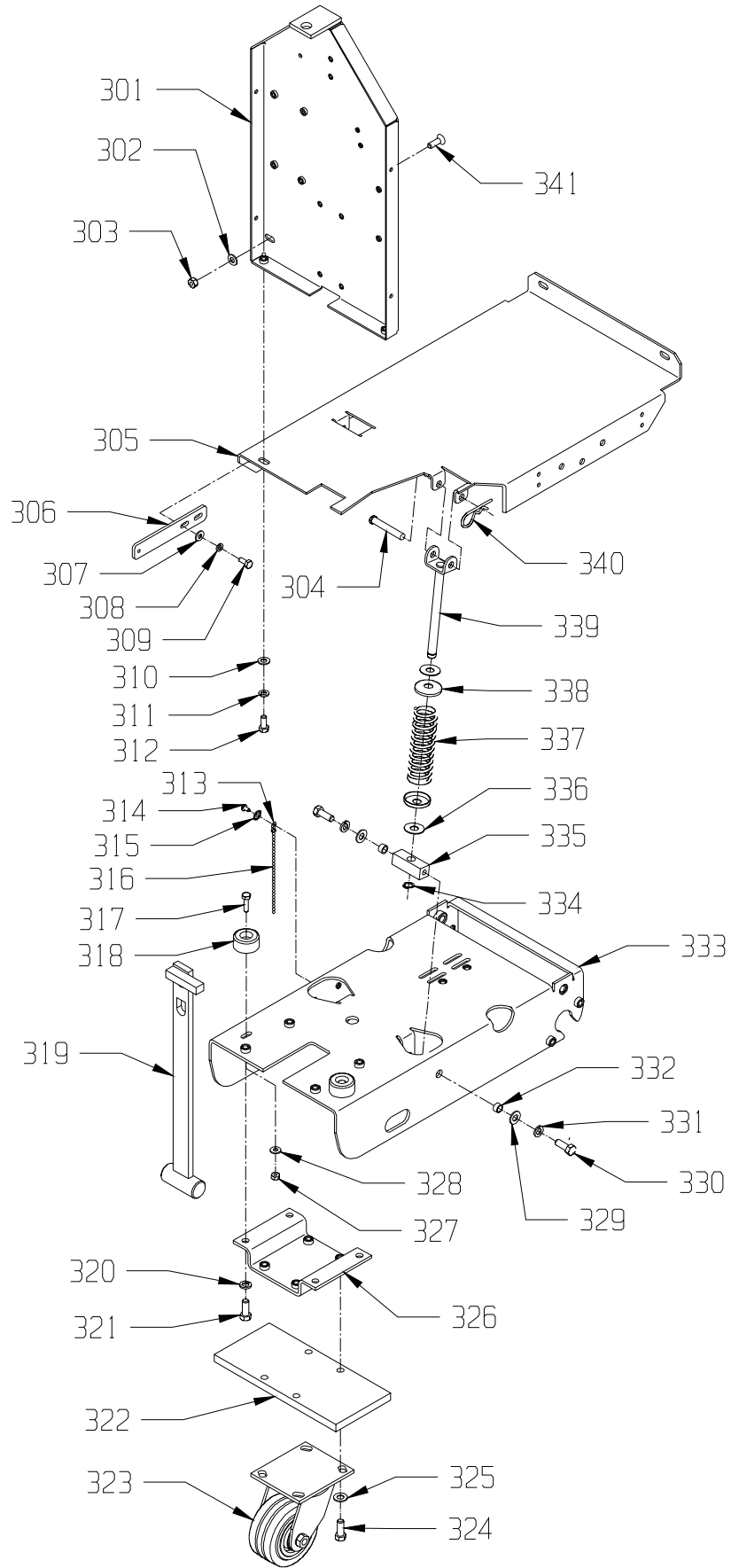
<b>ITEM</b>	<b>PART NO.</b>	<b>DESCRIPTION</b>	<b>QTY.</b>
201	6495071	BASE PLATE	1
202	6495261	BASE LEG CHARGER WHEEL DRIVE - LEFT	1
203	9121450	5/16-18 HEX NUT WITH NY-LOK INSERT - PACK OF 5	4
204	9121210	1/4-20 X 5/8 HEX BOLT - PACK OF 10	4
205	9120880	1/4 SPLIT LOCK WASHER - PACK OF 10	4
206	9120930	9/32 I.D. X 5/8 O.D. X .051/.080 THICK SAE FLAT WASHER (1/4) - PACK OF 10	4
207	6495531	SPROCKET 40BS12H - INCLUDES:	1
207A	9120860	1/4-20 X 3/8 SET SCREW - CUP POINT - PACK OF 5	2
208	5490161	FULLY INSULATED FEMALE TERMINAL 14-16 GAGE	2
209	6495291	DRIVE MOTOR 36 VOLT - INCLUDES:	1
209A	6496411	CARBON BRUSH	2
210	9120311	1/8 X 1/2 WOODRUFF KEY - ALLOY - PACK OF 1	1
211	6495569	#40 ROLLER CHAIN 33 LINKS + MASTER - INCLUDES:	1
211A	2795211	LINK - MASTER #40 CHAIN	1
211B	6495541	#40 ROLLER CHAIN 33 LINKS NO MASTER	1
212	6495151	FRAME	1
213	9122260	3/8-16 X 1 HEX BOLT - PACK OF 2	4
214	9122100	3/8 SPLIT LOCK WASHER - PACK OF 10	4
215	9123110	13/16 I.D. X 1 1/8 O.D. X .13 THICK WAVE SPRING WASHER (3/4) - PK OF 1	2
216	4492791	BUSHING, PIVOT	2
217	9122450	17/32 I.D. X 1 1/16 O.D. X .074/.121 THICK SAE FLAT WASHER (1/2)-PK OF 5	2
218	9122420	1/2 SPLIT LOCK WASHER - PACK OF 5	2
219	9122540	1/2-13 X 1 1/4 HEX BOLT - PACK OF 1	2
220	9121640	5/16-18 X 3/4 HEX BOLT - PACK OF 5	2
221	9121520	5/16 SPLIT LOCK WASHER - PACK OF 10	2
222	9121985	13/32 I.D. X 1 O.D. X .12 THICK FLAT WASHER (11 GAGE) - PACK OF 1	2
223	6495391	DRIVE WHEEL 9 X 1 5/8	2
224	9122321	3/8-16 X 1 3/4 SOCKET HEAD CAP SCREW - PACK OF 2	4
225	6495061	PILLOW BLOCK BEARING WITH GRIP-IT BEARING RING	6
226	9122495	1/2-13 HEX NUT WITH NY-LOK INSERT - THIN - PACK OF 1	2
227	6495251	BASE LEG CHARGER WHEEL DRIVE - RIGHT	1
228	9120829	3/16 SQUARE X 1 1/2 LONG KEY - STEEL - PACK OF 1	2
229	9122100	3/8 SPLIT LOCK WASHER - PACK OF 10	4
230	9121990	3/8-16 HEX JAM NUT - PACK OF 10	4
231	6495101	DIFFERENTIAL - SHORT	1
232	6495521	SPROCKET 40A26	1
233	9122540	1/2-13 X 1 1/4 HEX BOLT - PACK OF 1	2
234	9122420	1/2 SPLIT LOCK WASHER - PACK OF 5	2
235	9122450	17/32 I.D. X 1 1/16 O.D. X .074/.121 THICK SAE FLAT WASHER (1/2)-PK OF 5	2
236	6490691	LIFT ARM	2
237	4495141	LIFT ARM SPACER	2
238	6495501	PIVOT WELDMENT	1
239	9122220	3/8-16 X 3/4 HEX BOLT - PACK OF 5	6
240	9122100	3/8 SPLIT LOCK WASHER - PACK OF 10	6
241	4492791	BUSHING, PIVOT	2
242	9122450	17/32 I.D. X 1 1/16 O.D. X .074/.121 THICK SAE FLAT WASHER (1/2)-PK OF 5	2
243	9122540	1/2-13 X 1 1/4 HEX BOLT - PACK OF 1	2

# DRIVE - DB



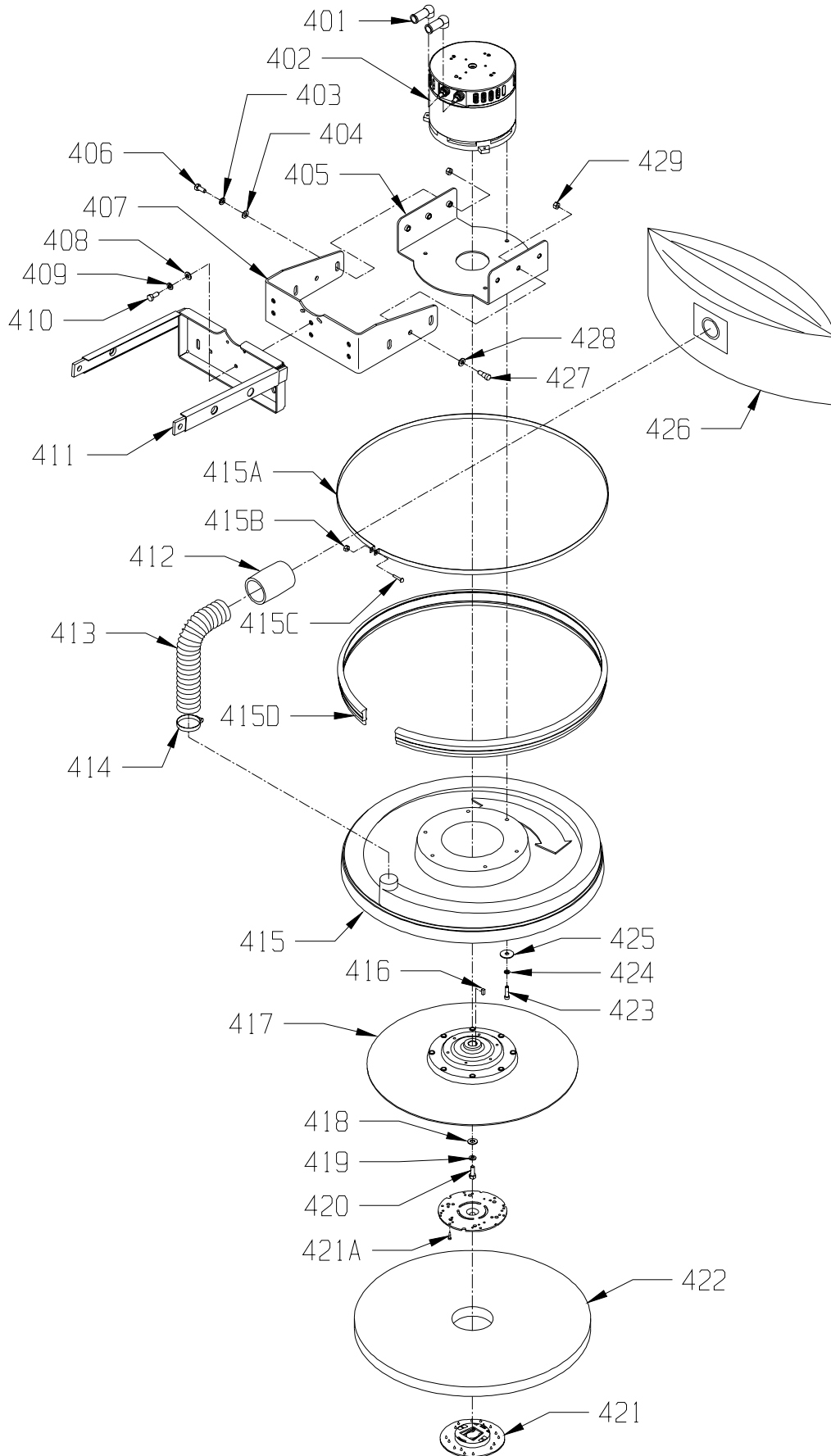
<u>ITEM</u>	<u>PART NO.</u>	<u>DESCRIPTION</u>	<u>QTY.</u>
301	6495511	CONTROL FRAME WELDMENT	1
302	9121390	11/32 ID X 11/16 OD X .051/.080 THICK SAE FLAT WASHER (5/16) - PK OF 10	2
303	9121450	5/16-18 HEX NUT WITH NY-LOK INSERT - PACK OF 5	2
304	7690311	3/8 DIAMETER X 2.5 CLEVIS PIN	2
305	6495071	BASE PLATE	1
306	6495831	HINGE PLATE	2
307	9120930	9/32 I.D. X 5/8 O.D. X .051/.080 THICK SAE FLAT WASHER (1/4) - PACK OF 10	4
308	9120880	1/4 SPLIT LOCK WASHER - PACK OF 10	4
309	9121210	1/4-20 X 5/8 HEX BOLT - PACK OF 10	4
310	9121390	11/32 ID X 11/16 OD X .051/.080 THICK SAE FLAT WASHER (5/16) - PK OF 10	2
311	9121520	5/16 SPLIT LOCK WASHER - PACK OF 10	2
312	9121640	5/16-18 X 3/4 HEX BOLT - PACK OF 5	2
313	6491871	END COUPLING ROUND BEAD CHAIN	1
314	9120380	10-24 X 3/8 ROUND HEAD PHILLIPS MACHINE SCREW - PACK OF 10	1
315	9120330	10 EXTERNAL STAR LOCK WASHER - PACK OF 10	1
316	6491860	ROUND BEAD CHAIN (CUT LENGTH 6")	.5'
317	9121270	1/4-20 X 1 HEX BOLT - PACK OF 10	2
318	4894461	RUBBER STOP	2
319	6490701	CATCH ASSEMBLY	1
320	9122100	3/8 SPLIT LOCK WASHER - PACK OF 10	4
321	9122220	3/8-16 X 3/4 HEX BOLT - PACK OF 5	4
322	6495461	CASTER BLOCK	1
323	6492061	RED 4 INCH CASTER - INCLUDES:	1
	4490391	CASTER WHEEL WITH BEARING	1
324	9122075	3/8-16 X 1 1/2 HEX BOLT - PACK OF 2	4
325	9122100	3/8 SPLIT LOCK WASHER - PACK OF 10	4
326	6495141	CASTER MOUNT	1
327	9120900	1/4-20 HEX NUT WITH NY-LOK INSERT - PACK OF 10	2
328	9120930	9/32 I.D. X 5/8 O.D. X .051/.080 THICK SAE FLAT WASHER (1/4) - PACK OF 10	2
329	9122180	13/32 I.D. X 13/16 O.D. X .051/.080 THICK - PACK OF 10 (3/8)	4
330	9122260	3/8-16 X 1 HEX BOLT - PACK OF 2	4
331	9122100	3/8 SPLIT LOCK WASHER - PACK OF 10	4
332	2691181	PIVOT SPACER, STABILIZER BAR	4
333	6495151	FRAME	1
334	5091701	RETAINING RING	2
335	6495891	PIVOT	2
336	5390811	1/2 X 1 X .07 THICK FLAT WASHER - NYLATRON	4
337	6495871	COMPRESION SPRING	2
338	3190191	STRING GUARD	4
339	6495881	SPRING GUIDE	2
340	7690491	#6 HAIR COTTER PIN	2
341	9121470	5/16-18 X 1 FLAT HEAD PHILLIPS MACHINE SCREW - PACK OF 5	2

# BASE - DB



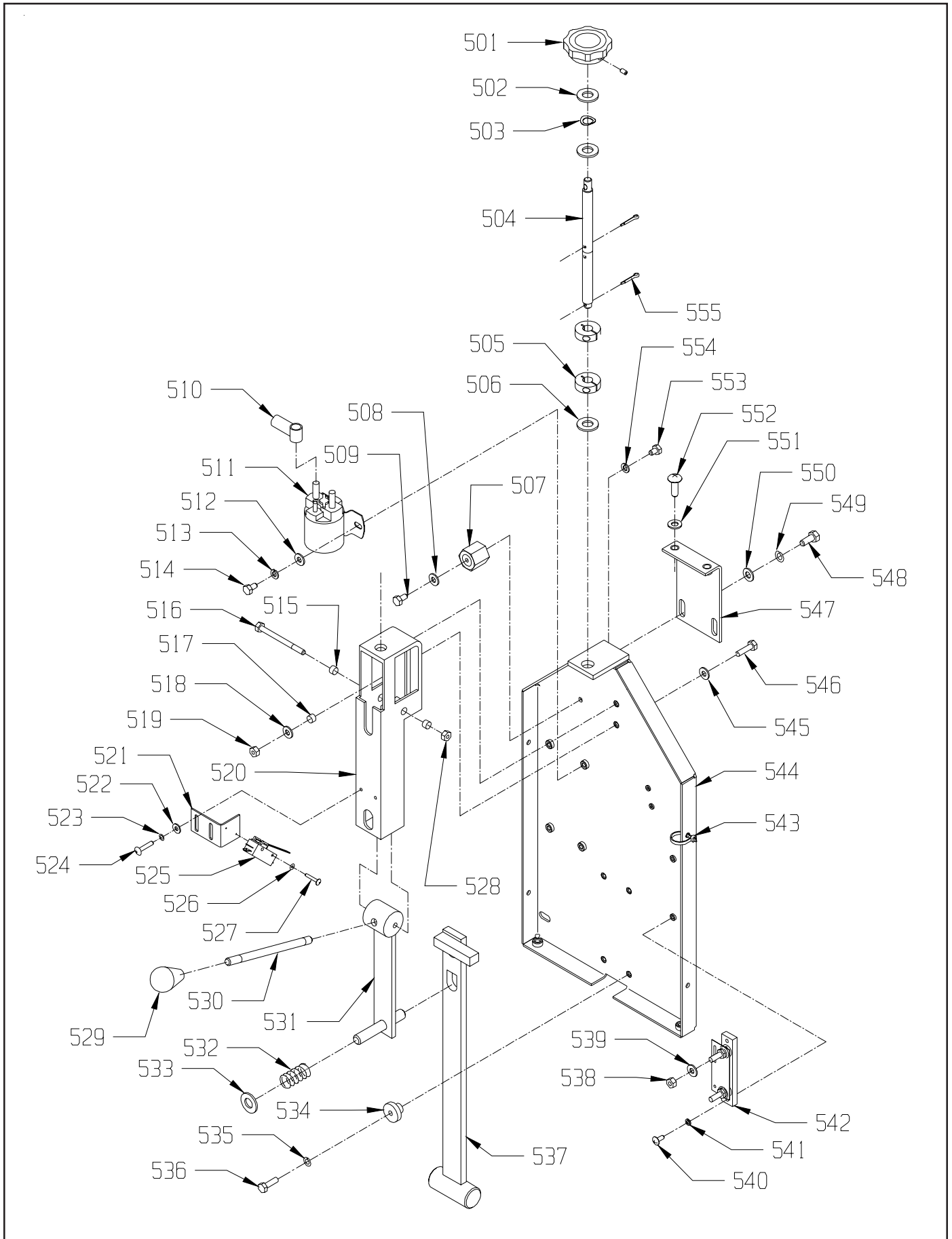
<b>ITEM</b>	<b>PART NO.</b>	<b>DESCRIPTION</b>	<b>QTY.</b>
401	6492051	STUD TERMINAL BOOT - RUBBER	2
402	6493521	MOTOR 36 VOLT - 2500 PRM - 2HP	1
	6496231	MOTOR 36 VOLT - 2200 RPM - 3HP	1
403	9121520	5/16 SPLIT LOCK WASHER -PK OF 10- AB MODEL ONLY	6
404	9121400	3/8 ID X 7/8 OD X .064/.104 THK WROUGHT WASHER-PK10-AB MODEL ONLY	4
405	6495841	MOTOR MOUNT	1
406	9121680	5/16-18 X 1 HEX BOLT - PACK OF 5 - AB MODEL ONLY	4
407	6495601	MOTOR MOUNT MOUNTING FORK - CHARGER 2025 DB	1
408	9121390	11/32 I.D. X 11/16 O.D. X .051/.080 THICK SAE FLAT WASHER (5/16)-PK OF 10	3
409	9121520	5/16 SPLIT LOCK WASHER - PACK OF 10	3
410	9121640	5/16-18 X 3/4 HEX BOLT - PACK OF 5	3
411	6495501	PIVOT WELDMENT	1
412	4495531	END CUFF - 2"	1
413	3392561	VAC EXHAUST HOSE	1
414	4495441	HOSE CLAMP, 1 9/16" - 2 1/2" DIAMETER	1
415	6490729	CW-FLEXIWALL SHIELD ASSEMBLY - INCLUDES:	1
415A	6490732	BUMPER STRAP	1
415B	9120350	10-24 HEX NUT WITH NY-LOK INSERT - PACK OF 10	1
415C	9120450	10-24 X 1 ROUND HEAD PHILLIPS MACHINE SCREW - PACK OF 10	1
415D	6490191	BUMPER / BRUSH	1
416	9120815	3/16 SQUARE X 1/2 LONG KEY - STEEL - PACK OF 1	1
417	6492568	PAD DRIVER - 20" ASSEMBLED & BALANCED	1
418	9121985	13/32 I.D. X 1 O.D. X .12 THICK FLAT WASHER (11 GAGE) - PACK OF 1	1
419	9121520	5/16 SPLIT LOCK WASHER - PACK OF 10	1
420	9121490	5/16-24 X 7/8 HEX BOLT - PACK OF 2	1
421	5990731	SPRING CLIP PAD HOLDER SET - INCLUDES:	1
421A	9120506	#8 X 1/2 PAN HEAD PHILLIPS SHEET METAL SCREW - PACK OF 10	3
422	6492001	20" LUST LITE BURNISH PAD - CASE (5)	1
423	9120980	1/4-20 X 1 SOCKET HEAD CAP SCREW - PACK OF 5	3
424	9120880	1/4 SPLIT LOCK WASHER - PACK OF 10	3
425	9120950	1/4 X 1 1/4 FENDER WASHER - PACK OF 10	3
426	5796101	PAPER BAG - 5 PACK	1
	6592801	VAC TRAC COLLECTION BAG - OPTIONAL	1
427	9122020	3/8 DIAMETER X 3/8 LONG SOCKET HEAD SHOULDER BOLT (5/16-18)-PK-1 (QTY. 6 ON DB MODEL)	2
428	9121400	3/8 IDX7/8 ODX.064/.104 THK WROUGHT WASHER-PK-10-AB MODEL ONLY	2
429	9121430	5/16-18 THIN HEX NUT WITH NY-LOK INSERT-PK-5 (QTY. 6 ON DB MODEL)	2

# SHIELD AND PAD DRIVER



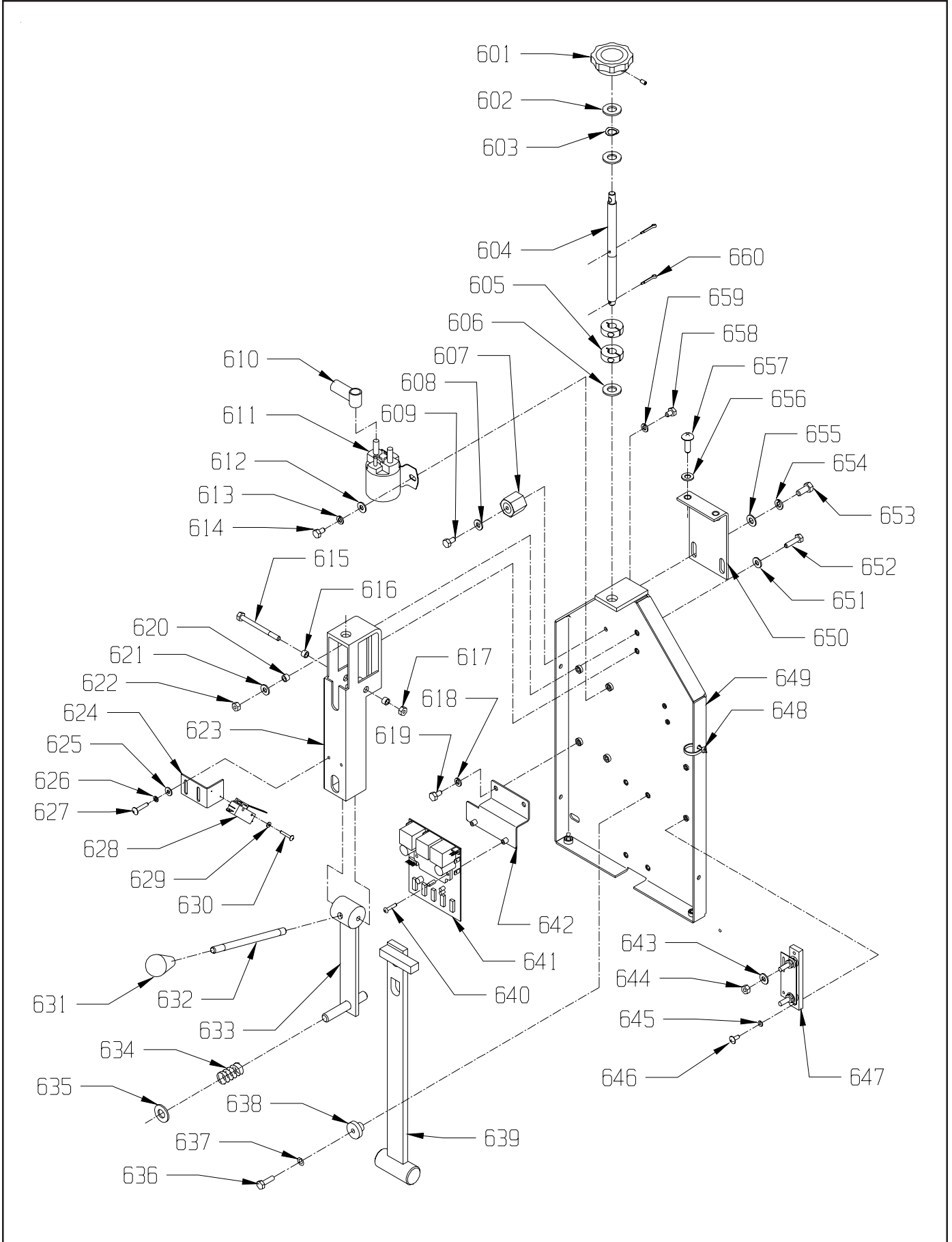
<b>ITEM</b>	<b>PART NO.</b>	<b>DESCRIPTION</b>	<b>QTY.</b>
501	4490521	LOAD ADJUST KNOB (INCLUDES SET SCREW)	1
502	9122450	17/32 I.D. X 1 1/16 O.D. X .074/.121 THICK SAE FLAT WASHER (1/2) - PK-5	2
503	9122705	1/2 I.D. X 3/4 O.D. X .01 THICK 1 WAVE SPRING WASHER (1/2) - PACK OF 5	1
504	6490611	ADJUSTMENT ROD	1
505	6490621	ADJUSTMENT ROD COLLAR	2
506	9122180	13/32 I.D. X 13/16 O.D. X .051/.080 THICK SAE FLAT WASHER (3/8) - PK-10	1
507	4490561	INSULATED STANDOFF	1
508	9120970	1/4 EXTERNAL STAR LOCK WASHER - PACK OF 10	1
509	9121210	1/4-20 X 5/8 HEX BOLT - PACK OF 10	1
510	7692421	TERMINAL BOOT	1
511	4491011	SOLENOID, 36 VOLT	1
512	9120930	9/32 I.D. X 5/8 O.D. X .051/.080 THICK SAE FLAT WASHER (1/4) - PACK OF 10	2
513	9120880	1/4 SPLIT LOCK WASHER - PACK OF 10	2
514	9121170	1/4-20 X 1/2 HEX BOLT - PACK OF 10	2
515	2791281	BUSHING SPACER	2
516	9121287	1/4-20 X 2 1/2 HEX BOLT - STEEL - PACK OF 2	1
517	2791281	BUSHING SPACER	2
518	9120930	9/32 I.D. X 5/8 O.D. X .051/.080 THICK SAE FLAT WASHER (1/4) - PACK OF 10	2
519	9120900	1/4-20 HEX NUT WITH NY-LOK INSERT - PACK OF 10	2
520	6490601	ADJUSTMENT BRACKET	1
521	4495326	SWITCH BRACKET	1
522	9120370	7/32 I.D. X 1/2 O.D. X .032/.065 THICK SAE FLAT WASHER (10) - PACK OF 10	2
523	9120320	10 SPLIT LOCK WASHER - PACK OF 10	2
524	9120460	10-24 X 1 1/4 ROUND HEAD PHILLIPS MACHINE SCREW - PACK OF 10	2
525	4491071	SNAP SWITCH	1
526	9120130	6 EXTERNAL STAR LOCK WASHER - PACK OF 10	2
527	9120090	6-32 X 7/8 PAN HEAD PHILLIPS MACHINE SCREW	2
528	9120900	1/4-20 HEX NUT WITH NY-LOK INSERT - PACK OF 10	2
529	4490601	KNOB, RAISE / LOWER ROD	1
530	6490101	LATCH HANDLE	1
531	6490091	LATCH ASSEMBLY	1
532	4490631	COMPRESSION SPRING	1
533	9122450	17/32 I.D. X 1 1/16 O.D. X .074/.121 THICK SAE FLAT WASHER (1/2) - PK-5	2
534	4495351	SPACER GUIDE	4
535	9120880	1/4 SPLIT LOCK WASHER - PACK OF 10	4
536	9121270	1/4-20 X 1 HEX BOLT - PACK OF 10	4
537	6490701	CATCH ASSEMBLY	1
538	9120920	1/4-20 HEX NUT - PACK OF 10	2
539	9120970	1/4 EXTERNAL STAR LOCK WASHER - PACK OF 10	2
540	9120410	10-24 X 1/2 ROUND HEAD PHILLIPS MACHINE SCREW - PACK OF 10	2
541	9120320	10 SPLIT LOCK WASHER - PACK OF 10	2
542	4491031	SHUNT	1
543	9123005	1/8 X 5 1/2 WIRE TIE - PACK OF 5	4
544	6495511	CONTROL FRAME WELDMENT	1
545	9120970	1/4 EXTERNAL STAR LOCK WASHER - PACK OF 10	2
546	9121270	1/4-20 X 1 HEX BOLT - PACK OF 10	2
547	4492801	TOP SUPPORT BRACKET	1
548	9121640	5/16-18 X 3/4 HEX BOLT - PACK OF 5	2
549	9121520	5/16 SPLIT LOCK WASHER - PACK OF 10	2
550	9121390	11/32 I.D. X 11/16 O.D. X .051/.080 THICK SAE FLAT WASHER (5/16) - PK-10	2
551	9121400	3/8 I.D. X 7/8 O.D. X .064/.104 THICK WROUGHT WASHER (5/16) - PK OF 10	2
552	9121480	5/16-18 X 1 ROUND HEAD PHILLIPS MACHINE SCREW - PACK OF 2	2
553	9121160	1/4-20 X 3/8 HEX BOLT - PACK OF 10	1
554	9120880	1/4 SPLIT LOCK WASHER - PACK OF 10	4
555	9120310	1/8 X 3/4 COTTER PIN - PACK OF 10	2

# CONTROL FRAME - AB



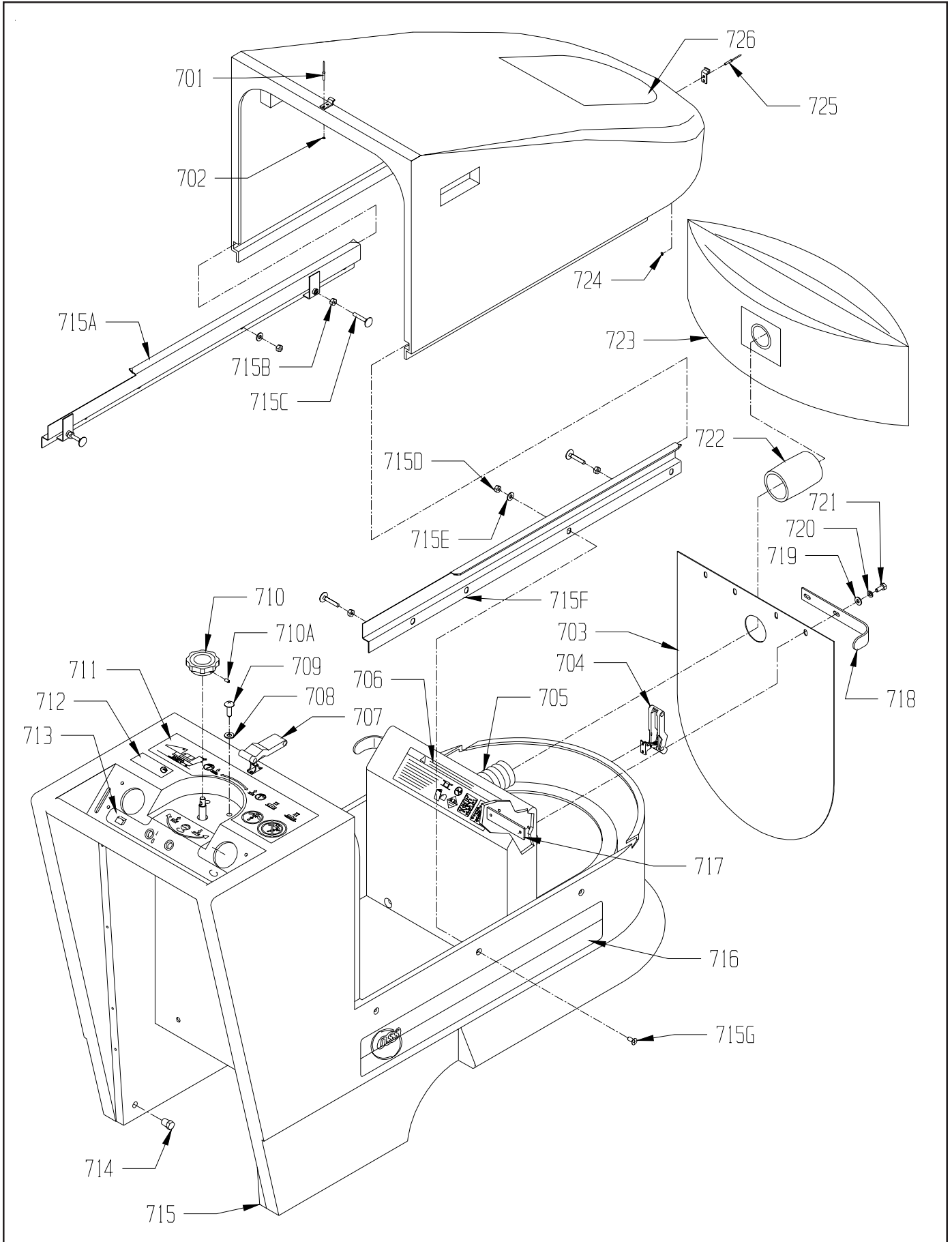
<u>ITEM</u>	<u>PART NO.</u>	<u>DESCRIPTION</u>	<u>QTY.</u>
601	4490521	LOAD ADJUST KNOB (INCLUDES SET SCREW)	1
602	9122450	17/32 I.D. X 1 1/16 O.D. X .074/.121 THICK SAE FLAT WASHER (1/2) - PK-5	2
603	9122705	1/2 I.D. X 3/4 O.D. X .01 THICK 1 WAVE SPRING WASHER (1/2) - PK OF 2	1
604	6490611	ADJUSTMENT ROD	1
605	6490621	ADJUSTMENT ROD COLLAR	2
606	9122180	13/32 ID X 13/16 OD X .051/.080 THK WROUGHT WASHER (3/8)-PK-10	1
607	4490561	INSULATED STANDOFF	1
608	9120970	1/4 EXTERNAL STAR LOCK WASHER - PACK OF 10	1
609	9121250	1/4-20 X 3/4 HEX BOLT - PACK OF 10	1
610	7692421	TERMINAL BOOT	1
611	4491011	SOLENOID, 36 VOLT	1
612	9120930	9/32 I.D. X 5/8 O.D. X .051/.080 THICK SAE FLAT WASHER (1/4) - PACK OF 10	2
613	9120880	1/4 SPLIT LOCK WASHER - PACK OF 10	2
614	9121170	1/4-20 X 1/2 HEX BOLT - PACK OF 10	2
615	9121287	1/4-20 X 2 1/2 HEX HEAD BOLT - STEEL - PACK OF 2	1
616	2791281	BUSHING SPACER	2
617	9120900	1/4-20 HEX NUT WITH NY-LOK INSERT - PACK OF 10	1
618	9120880	1/4 SPLIT LOCK WASHER - PACK OF 10	2
619	9121170	1/4-20 X 1/2 HEX BOLT - PACK OF 10	2
620	2791281	BUSHING SPACER	2
621	9120930	9/32 I.D. X 5/8 O.D. X .051/.080 THICK SAE FLAT WASHER (1/4) - PACK OF 10	2
622	9120900	1/4-20 HEX NUT WITH NY-LOK INSERT - PACK OF 10	2
623	6490601	ADJUSTMENT BRACKET WELDMENT	1
624	4495326	SWITCH BRACKET	1
625	9120370	7/32 I.D. X 1/2 O.D. X .032/.065 THICK SAE FLAT WASHER (#10) - PK-10	2
626	9120320	10 SPLIT LOCK WASHER - PACK OF 10	2
627	9120460	10-24 X 1 1/4 ROUND HEAD PHILLIPS MACHINE SCREW - PACK OF 10	2
628	4491071	SNAP SWITCH	1
629	9120130	6 EXTERNAL STAR LOCK WASHER - PACK OF 10	2
630	9120090	6-32 X 7/8 PAN HEAD PHILLIPS MACHINE SCREW - PACK OF 10	2
631	4490601	KNOB, RAISE / LOWER ROD	1
632	6490101	LATCH HANDLE	1
633	6490091	LATCH ASSEMBLY	1
634	4490631	COMPRESSION SPRING	1
635	9122450	17/32 I.D. X 1 1/16 O.D. X .074/.121 THICK SAE FLAT WASHER (1/2) - PK-5	1
636	9121145	1/4-20 X 2 HEX BOLT - PACK OF 5	4
637	9120880	1/4 SPLIT LOCK WASHER - PACK OF 10	4
638	4495351	SPACER GUIDE	4
639	6490701	CATCH ASSEMBLY	1
640	9120260	8-32 X 3/4 ROUND HEAD PHILLIPS MACHINE SCREW - PACK OF 10	2
641	2690021	SPEED CONTROL, CURTIS	1
642	6492471	SPEED CONTROL MOUNTING BRACKET	1
643	9120970	1/4 EXTERNAL STAR LOCK WASHER - PACK OF 10	2
644	9120920	1/4-20 HEX NUT - PACK OF 10	2
645	9120320	10 SPLIT LOCK WASHER - PACK OF 10	2
646	9120410	10-24 X 1/2 ROUND HEAD PHILLIPS MACHINE SCREW - PACK OF 10	2
647	4491031	SHUNT	1
648	9123005	1/8 X 5 1/2 WIRE TIE - PACK OF 5	4
649	6495511	CONTROL FRAME WELDMENT	1
650	4492801	TOP SUPPORT BRACKET	1
651	9120970	1/4 EXTERNAL STAR LOCK WASHER - PACK OF 10	2
652	9121270	1/4-20 X 1 HEX BOLT - PACK OF 10	2
653	9121640	5/16-18 X 3/4 HEX BOLT - PACK OF 5	2
654	9121520	5/16 SPLIT LOCK WASHER - PACK OF 10	2
655	9121390	11/32 I.D. X 11/16 O.D. X .051/.080 THICK SAE FLAT WASHER (5/16) - PK-10	2
656	9121400	3/8 I.D. X 7/8 O.D. X .064/.104 THICK WROUGHT WASHER (5/16) - PK-10	2
657	9121480	5/16-18 X 1 ROUND HEAD PHILLIPS MACHINE SCREW - PACK OF 2	2
658	9121170	1/4-20 X 1/2 HEX BOLT - PACK OF 10	1
659	9120880	1/4 SPLIT LOCK WASHER - PACK OF 10	1
660	9120310	1/8 X 3/4 COTTER PIN - PACK OF 10	2

# CONTROL FRAME - DB



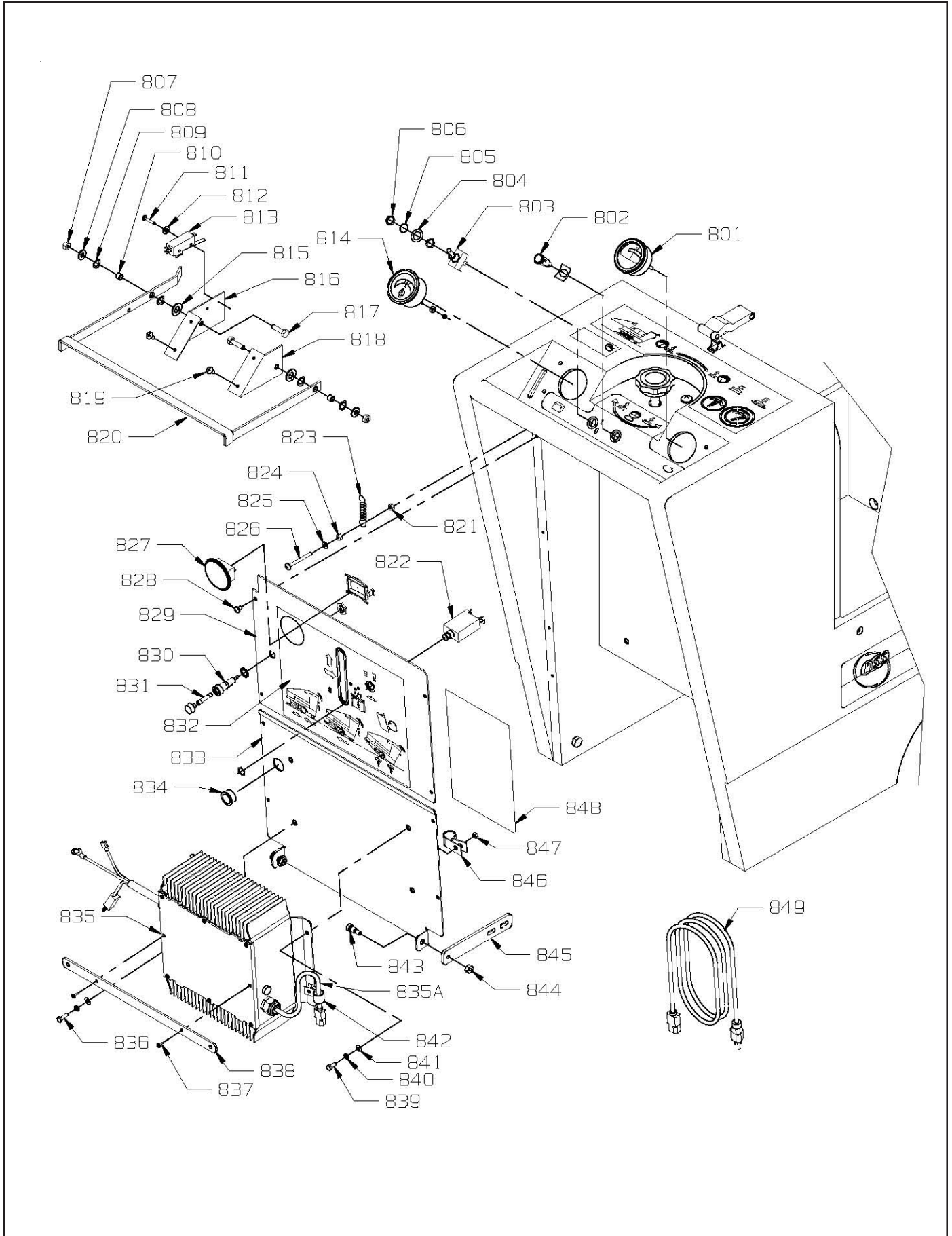
<b>ITEM</b>	<b>PART NO.</b>	<b>DESCRIPTION</b>	<b>QTY.</b>
701	9120317	5/32 X 5/8 DOME HEAD POP RIVET - STEEL - PACK OF 5	4
702	9120185	5/32 I.D. X 1/2 O.D. WASHER - STEEL - ZINC PLATE - PACK OF 6	4
703	6492261	RUBBER MOTOR COVER	1
704	6491171	SOFT DRAW LATCH WITH CONCEALED KEEPER	1
705	3392561	VAC EXHAUST HOSE	1
706	6495851	BATTERY WARNING DECAL - OBC	1
707	6491171	SOFT DRAW LATCH WITH CONCEALED KEEPER	1
708	9121400	3/8 I.D. X 7/8 O.D. X .064/.104 THICK WROUGHT WASHER (5/16) - PK-10	2
709	9121480	5/16-18 X 1 ROUND HEAD PHILLIPS MACHINE SCREW - PACK OF 2	2
710	4490521	LOAD ADJUST KNOB - INCLUDES:	1
710A	9120650	10-32 X 3/4 SET SCREW - PACK OF 5	1
711	6495791	ENGLISH/SPANISH OPERATION DECAL	1
712	6493081	NAME IDENTIFIER DECAL CHARGER 2025 AB	1
713	6492801	DASH PANEL DECAL	1
714	6490951	1/4 MIPT PLUG	2
715	6490011	HOUSING WITH SLIDE RAILS	1
715A	6495441	SLIDE RAIL, LEFT	1
715B	9120920	1/4-20 HEX NUT - PACK OF 10	4
715C	9121039	1/4-20 X 1 1/2 ELEVATOR BOLT - ZINC PLATED - PACK OF 1	4
715D	9120900	1/4-20 HEX NUT WITH NY-LOK INSERT - PACK OF 10	6
715E	9120930	9/32 I.D. X 5/8 O.D. X .051/.080 THICK SAE FLAT WASHER (1/4) - PK-10	6
715F	6495431	SLIDE RAIL, RIGHT	1
715G	9121037	1/4-20 X 5/8 FLAT HEAD PHILLIPS HEAD MACHINE SCREW - PK-10	6
716	6493061	SIDE DECAL - 3.5 X 26	2
717	6491211	TAPPING PLATE	2
718	6491191	HOOD STOP / SUPPORT BRACKET	2
719	9120930	9/32 I.D. X 5/8 O.D. X .051/.080 THICK SAE FLAT WASHER (1/4) - PK-10	4
720	9120880	1/4 SPLIT LOCK WASHER - PACK OF 10	4
721	9121270	1/4-20 X 1 HEX BOLT - PACK OF 10	4
722	4495531	END CUFF - 2"	1
723	5796101	PAPER BAG - 5 PACK	1
	6592801	CLOTH FILTER BAG (OPTIONAL)	1
724	9120185	5/32 I.D. X 1/2 O.D. WASHER - STEEL - ZINC PLATE - PACK OF 6	4
725	9120317	5/32 X 5/8 DOME HEAD POP RIVET - STEEL - PACK OF 5	4
726	6492871	HOOD DECAL	1

# HOUSING - AB



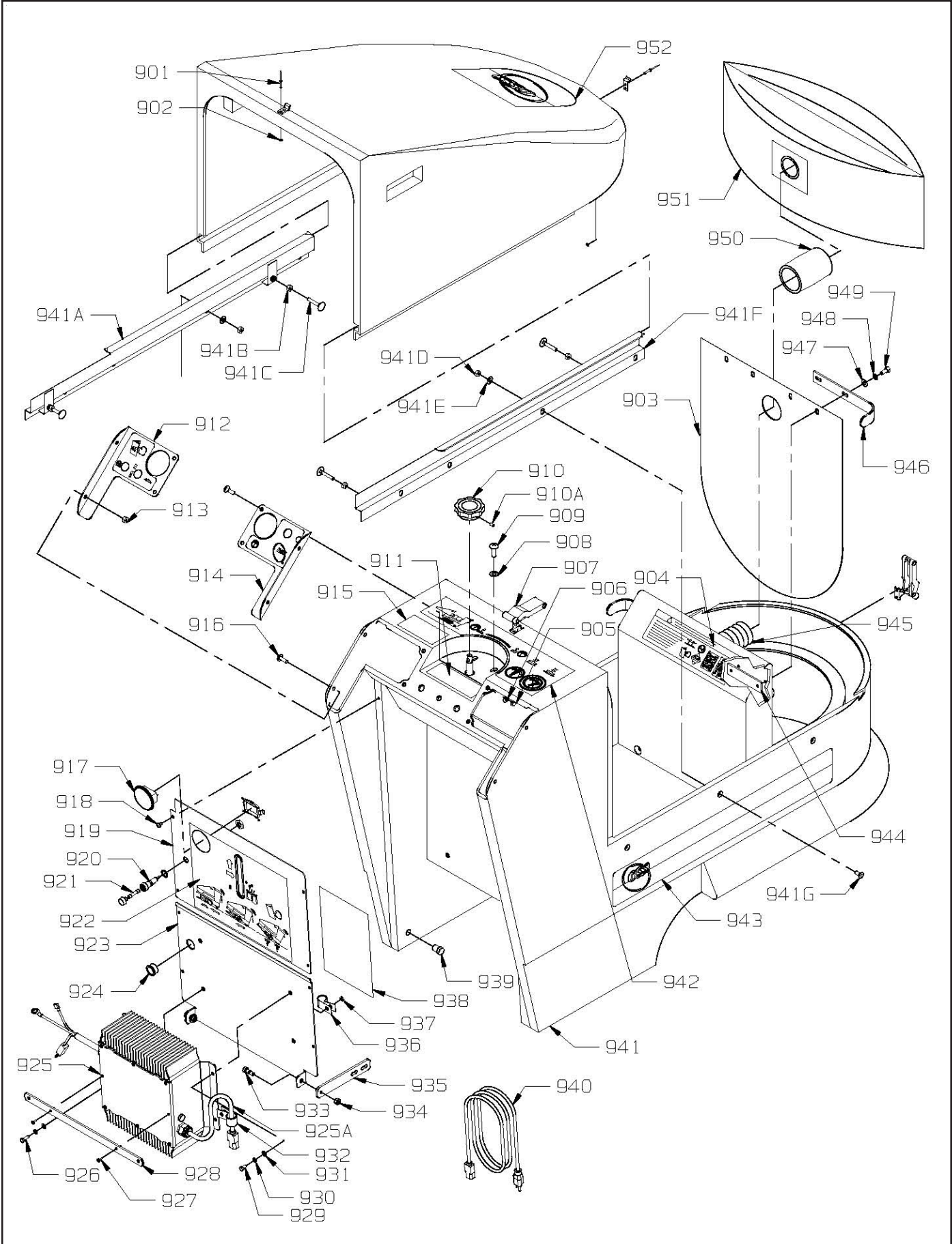
<b>ITEM</b>	<b>PART NO.</b>	<b>DESCRIPTION</b>	<b>QTY.</b>
801	4491041	RPM METER WITH HARDWARE	1
802	2691981	LIGHT - INDICATOR, GREEN, 35 VOLT, WITH CLIP	1
803	4491101	TOGGLE SWITCH, MOTOR	1
804	9122465	.516 I.D. X .813 O.D. X .027/.030 THICK FLAT WASHER - PACK OF 2	1
805	0691851	1/2 INTERNAL STAR LOCK WASHER	1
806	0798821	5/8 HEX NUT	1
807	9120900	1/4-20 HEX NUT WITH NY-LOK INSERT - PACK OF 10	2
808	9120930	9/32 I.D. X 5/8 O.D. X .051/.080 THICK SAE FLAT WASHER (1/4) - PK-10	2
809	9122120	3/8 I.D. X 5/8 O.D. X .031 THICK 1 WAVE SPRING WASHER (3/8) - PK-5	4
810	2791281	BUSHING SPACER	2
811	9120090	6-32 X 7/8 PAN HEAD PHILLIPS MACHINE SCREW - PACK OF 10	2
812	9120040	6 INTERNAL STAR LOCK WASHER - PACK OF 10	2
813	4491071	SNAP SWITCH	1
814	4491051	BATTERY METER 36 VOLT	1
815	9122180	13/32 I.D. X 13/16 O.D. X .051/.080 THICK - PK-10 SAE FLAT WASHER (3/8)	2
816	4492881	SWITCH PLATE - LEFT	1
817	9121270	1/4-20 X 1 HEX BOLT - PACK OF 10	2
818	4492901	SWITCH PLATE - RIGHT	1
819	9120510	10-24 X 1/2 TRUSS HEAD PHILLIPS MACHINE SCREW - PACK OF 10	4
820	4493046	HANDLE	1
821	9120350	10-24 HEX NUT WITH NY-LOK INSERT - PACK OF 10	1
822	4490701	CIRCUIT BREAKER - 70 AMP/ETA - MACHINES WITH 2 HP MOTOR	1
	6491261	CIRCUIT BREAKER - 90 AMP - MACHINES WITH 3 HP MOTOR	1
823	4490641	EXTENSION SPRING	1
824	9120360	10-24 HEX NUT WITH STAR LOCK WASHER - PACK OF 10	1
825	9120370	7/32 I.D. X 1/2 O.D. X .032/.065 THICK SAE FLAT WASHER (10) - PACK OF 10	1
826	9120480	10-24 X 1 3/4 ROUND HEAD PHILLIPS MACHINE SCREW - PACK OF 5	1
827	2397361	HOUR METER (OPTIONAL)	1
828	9120790	10 X 5/8 PAN HEAD PHILLIPS SHEET METAL SCREW - PACK OF 10	8
829	6495813	UPPER REAR PANEL	1
830	4990321	FUSE HOLDER W/NUT & WASHER	1
831	6495741	3AG FAST-ACTING FUSE 4AMP	1
832	6492891	DECAL PAD POSITION	1
833	6495823	LOWER REAR PANEL	1
834	4890451	BUSHING, SNAP, #SB87511 HEYCO	1
835	6495691	36 VOLT ONBOARD CHARGER 120/240 VOLT 21 AMP - INCLUDES:	1
835A	2491311	REPLACEMENT AC CORD AND PANEL ASSEMBLY	1
836	9121020	1/4-20 X 1 TRUSS HEAD PHILLIPS MACHINE SCREW - PACK OF 5	1
837	9120085	M3.5 X 19 PAN HEAD PHILLIPS MACHINE SCREW - PACK OF 1	2
838	2491283	CORD WRAP	1
839	9121000	1/4-20 X 5/8 TRUSS HEAD PHILLIPS MACHINE SCREW - PACK OF 5	3
840	9120880	1/4 SPLIT LOCK WASHER - PACK OF 10	4
841	9120930	9/32 I.D. X 5/8 O.D. X .051/.080 THICK SAE FLAT WASHER (1/4) - PK-10	4
842	3291111	CABLE CLAMP	1
843	9121550	5/16 DIA. X 3/8 LONG SOCKET HEAD SHOULDER BOLT - PACK OF 1	2
844	9120890	1/4-20 HEX NUT WITH NY-LOK INSERT - PACK OF 10 - THIN	2
845	6495831	HINGE PLATE	2
846	4890851	CABLE CLAMP, #COV-090 KMC	1
847	9120900	1/4-20 HEX NUT WITH NY-LOK INSERT - PACK OF 10	1
848	6495861	WIRING DECAL AB WITH ONBOARD CHARGER	1
849	6495701	120 VOLT ONBOARD CHARGER CORD	1
	6495711	240 VOLT ONBOARD CHARGER CORD	1

# CONTROL PANEL - AB



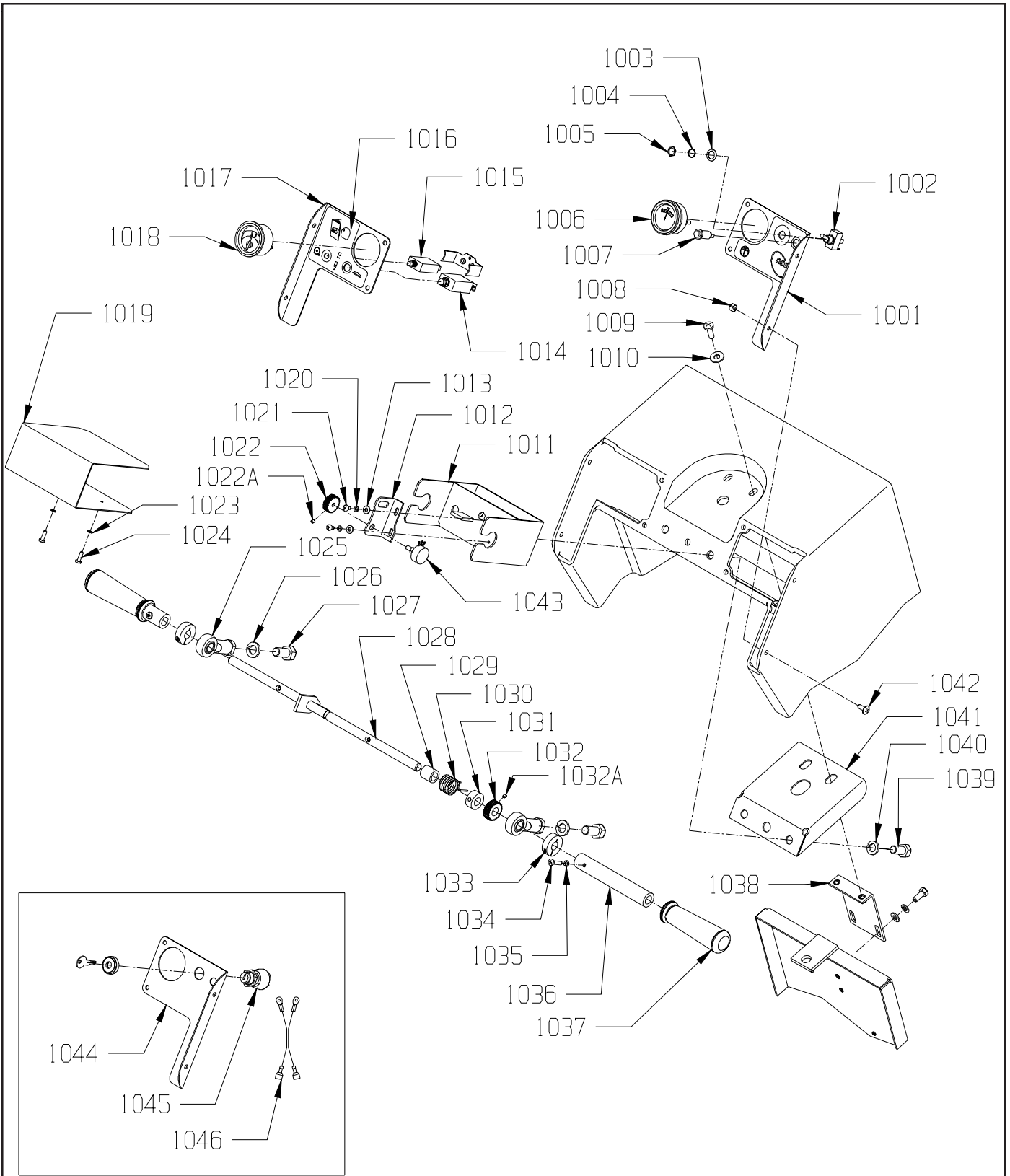
<b>ITEM</b>	<b>PART NO.</b>	<b>DESCRIPTION</b>	<b>QTY.</b>
901	9120317	5/32 X 5/8 DOME HEAD POP RIVET - STEEL - PACK OF 5	8
902	9120185	5/32 I.D. X 1/2 O.D. WASHER - STEEL - ZINC PLATE - PACK OF 6	8
903	6492261	RUBBER MOTOR COVER	1
904	6495851	BATTERY WARNING DECAL OBC	1
905	9120900	1/4-20 HEX NUT WITH NY-LOK INSERT - PACK OF 10	4
906	9120930	9/32 I.D. X 5/8 O.D. X .051/.080 THICK SAE FLAT WASHER (1/4) - PACK OF 10	4
907	6491171	SOFT DRAW LATCH WITH CONCEALED KEEPER	2
908	9121400	3/8 I.D. X 7/8 O.D. X .064/.104 THICK WROUGHT WASHER (5/16) - PK-10	2
909	9121480	5/16-18 X 1 ROUND HEAD PHILLIPS MACHINE SCREW - PACK OF 2	2
910	4490521	LOAD ADJUST KNOB (INCLUDES SET SCREW)	1
911	6495191	CONTROL PANEL DECAL KIT	1
912	6495181	CONTROL PANEL - LEFT	1
913	9120900	1/4-20 HEX NUT WITH NY-LOK INSERT - PACK OF 10	4
914	6495171	CONTROL PANEL - RIGHT	1
915	6493091	IDENTIFIER DECAL CHARGER 2025 DB	1
916	9121000	1/4-20 X 5/8 TRUSS HEAD PHILLIPS MACHINE SCREW - PACK OF 5	4
917	2397361	HOUR METER (OPTIONAL)	1
918	9120790	10 X 5/8 PAN HEAD PHILLIPS SHEET METAL SCREW - PACK OF 10	8
919	6495813	UPPER REAR PANEL	1
920	4990321	FUSE HOLDER WITH NUT AND WASHER	1
921	6495741	3AG FAST-ACTING FUSE 4AMP	1
922	6495201	REAR PANEL DECAL	1
923	6495823	LOWER REAR PANEL	1
924	4890451	BUSHING, SNAP, #SB87511 HEYCO	1
925	6495691	36 VOLT ONBOARD CHARGER 120/240 VOLT 21AMP - INCLUDES:	1
925A	2491311	REPLACEMENT AC CORD AND PANEL ASSEMBLY	1
926	9121020	1/4-20 X 1 TRUSS HEAD PHILLIPS MACHINE SCREW - PACK OF 5	1
927	9120085	M3.5 X 19 PAN HEAD PHILLIPS MACHINE SCREW - PACK OF 1	2
928	2491283	CORD WRAP	1
929	9121000	1/4-20 X 5/8 TRUSS HEAD PHILLIPS MACHINE SCREW - PACK OF 5	3
930	9120880	1/4 SPLIT LOCK WASHER - PACK OF 10	4
931	9120930	9/32 I.D. X 5/8 O.D. X .051/.080 THICK FLAT WASHER (1/4) - PACK OF 10	4
932	3291111	CABLE CLAMP	1
933	9121550	5/16 DIA. X 3/8 LONG SOCKET HEAD SHOULDER BOLT 1/4-20 - PACK OF 1	2
934	9120890	1/4-20 HEX NUT WITH NY-LOK INSERT - PACK OF 10 - THIN	2
935	6495831	HINGE PLATE	2
936	4890851	CABLE CLAMP, #COV-090 KMC	1
937	9120910	1/4-20 HEX NUT WITH STAR LOCK WASHER - PACK OF 10	1
938	6495751	WIRING DECAL - DB WITH ONBOARD CHARGER	1
939	6490951	1/4 MPT PLUG	2
940	6495701	120 VOLT ONBOARD CHARGER CORD	1
941	6495081	HOUSING WITH SLIDE RAILS - INCLUDES:	1
941A	6495441	SLIDE RAIL, LEFT	1
941B	9120920	1/4-20 HEX NUT - PACK OF 10	4
941C	9121039	1/4-20 X 1 1/2 ELEVATOR BOLT - ZINC PLATED - PACK OF 1	4
941D	9120900	1/4-20 HEX NUT WITH NY-LOK INSERT - PACK OF 10	6
941E	9120930	9/32 I.D. X 5/8 O.D. X .051/.080 THICK (1/4) SAE FLAT WASHER - PK-10	6
941F	9121362	1/4-20 X 2 1/2 FULL THREADED STUD - PACK OF 1	2
941G	9120923	1/4-20 X 7/8 LONG HEX COUPLING NUT - PACK OF 1	2
941H	6495431	SLIDE RAIL, RIGHT	1
941I	9121037	1/4-20 X 5/8 FLAT HEAD PHILLIPS MACHINE SCREW - PACK OF 10	6
942	6495791	ENGLISH / SPANISH OPERATION DECAL	1
943	6493061	SIDE DECAL 3.5 X 26	2
944	6491211	TAPPING PLATE	2
945	3392561	VAC EXHAUST HOSE	1
946	6491191	HOOD STOP / SUPPORT BRACKET	2
947	9120930	9/32 I.D. X 5/8 O.D. X .051/.080 THICK (1/4) SAE FLAT WASHER - PACK OF 10	4
948	9120880	1/4 SPLIT LOCK WASHER - PACK OF 10	4
949	9121270	1/4-20 X 1 HEX BOLT - PACK OF 10	4
950	4495531	END CUFF - 2"	1
951	5796101	PAPER BAG - 5 PACK	1
	6592801	CLOTH FILTER BAG (OPTIONAL)	1
952	6492871	HOOD DECAL	1

# HOUSING - DB



<b>ITEM</b>	<b>PART NO.</b>	<b>DESCRIPTION</b>	<b>QTY.</b>
1001	6495171	CONTROL PANEL - RIGHT	1
1002	4491101	TOGGLE SWITCH, MOTOR	1
1003	9122465	.516 I.D. X .813 O.D. X .027/.030 THICK FLAT WASHER - PACK OF 2	1
1004	0691851	1/2 INTERNAL STAR LOCK WASHER	1
1005	0798821	5/8" HEX NUT (LARGE NUT)	1
1006	4491041	RPM METER WITH HARDWARE	1
1007	2691981	LIGHT - INDICATOR, GREEN, 36 VOLT, WITH CLIP	1
1008	9120900	1/4-20 HEX NUT WITH NY-LOK INSERT - PACK OF 10	8
1009	9121480	5/16-18 X 1 ROUND HEAD PHILLIPS MACHINE SCREW - PACK OF 2	2
1010	9121400	3/8 I.D. X 7/8 O.D. X .064/.104 THICK WROUGHT WASHER (5/16) -PK-10	2
1011	6496201	BRACKET, HANDLE MOUNT	1
1012	6495051	POTENTIOMETER MOUNTING BRACKET	1
1013	9120370	7/32 I.D. X 1/2 O.D. X .032/.065 THICK FLAT WASHER (#10) - PACK OF 10	2
1014	4490701	CIRCUIT BREAKER - 70 AMP/ETA - MACHINES WITH 2 HP MOTOR	1
	6491261	CIRCUIT BREAKER - 90 AMP - MACHINES WITH 3 HP MOTOR	1
1015	2392201	CIRCUIT BREAKER, 10 AMP	1
1016	6495191	CONTROL PANEL DECAL KIT	1
1017	6495181	CONTROL PANEL - LEFT	1
1018	4491051	BATTERY METER WITH HARDWARE	1
1019	6495033	HANDLE BOX COVER	1
1020	9120320	10 SPLIT LOCK WASHER - PACK OF 10	2
1021	9120410	10-24 X 1/2 ROUND HEAD PHILLIPS MACHINE SCREW - PACK OF 10	2
1022	2691941	DRIVEN GEAR, POTENTIOMETER - INCLUDES:	1
1022A	9120170	8-32 X 3/16 SET SCREW - KNURL POINT - STEEL - PACK OF 5	2
1023	9120320	#10 SPLIT LOCK WASHER - PACK OF 10	2
1024	9120410	10-24 X 1/2 ROUND HEAD PHILLIPS MACHINE SCREW - PACK OF 10	2
1025	2391941	BALL JOINT	2
1026	9122420	1/2 SPLIT LOCK WASHER - PACK OF 5	2
1027	9122530	1/2-13 X 1 HEX BOLT - PACK OF 1	2
1028	6496191	HANDLE BAR	1
1029	6496081	BEARING PLAIN SLEEVE .5 X .75 X .75 LONG	1
1030	6496091	TORSION SPRING .81 I.D. X .067 WIRE DIAMETER	1
1031	6496171	COLLAR, 1/2" I.D. - INCLUDES SET SCREW	1
1032	2691931	DRIVE GEAR, HANDLE BAR - INCLUDES:	1
1032A	9120170	8-32 X 3/16 SET SCREW - KNURL POINT - STEEL - PACK OF 5	2
1033	3393891	COLLAR, SHAFT 1/2" - INCLUDES CLAMPING SCREW	2
1034	9120270	8-32 X 7/8 ROUND HEAD PHILLIPS MACHINE SCREW - PACK OF 10	2
1035	9120200	#8 SPLIT LOCK WASHER - PACK OF 10	2
1036	2691871	HANDLE GRIP BASE	2
1037	3392901	HANDLE GRIP	2
1038	4492801	TOP SUPPORT BRACKET	1
1039	9122700	1/2-20 X 1 HEX BOLT - PACK OF 2	2
1040	9122420	1/2 SPLIT LOCK WASHER - PACK OF 5	2
1041	6495041	HANDLE BOX MOUNTING PLATE	1
1042	9121000	1/4-20 X 5/8 TRUSS HEAD PHILLIPS MACHINE SCREW - PACK OF 5	8
1043	2694131	POTENTIOMETER, CURTIS SPEED CONTROL	1
1044	6495161	KEY SWITCH CONTROL PANEL - RIGHT	1
1045	2795711	KEY SWITCH & KEY	1
	2796131	REPLACEMENT KEY	1
1046	6495571	WIRE ASSEMBLY - KEY SWITCH ADAPTOR	1

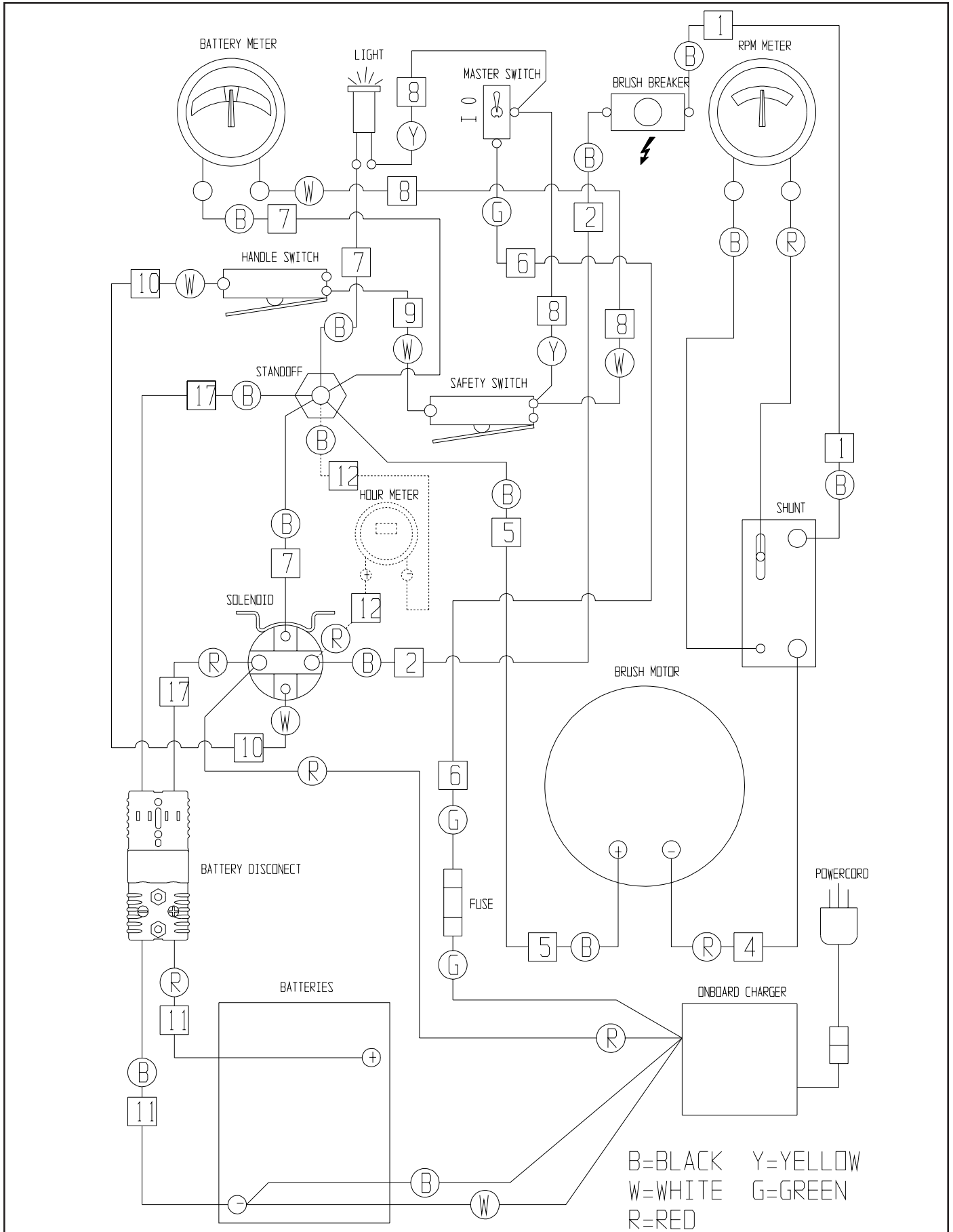
# CONTROL PANEL - DB



OPTIONAL KEY SWITCH

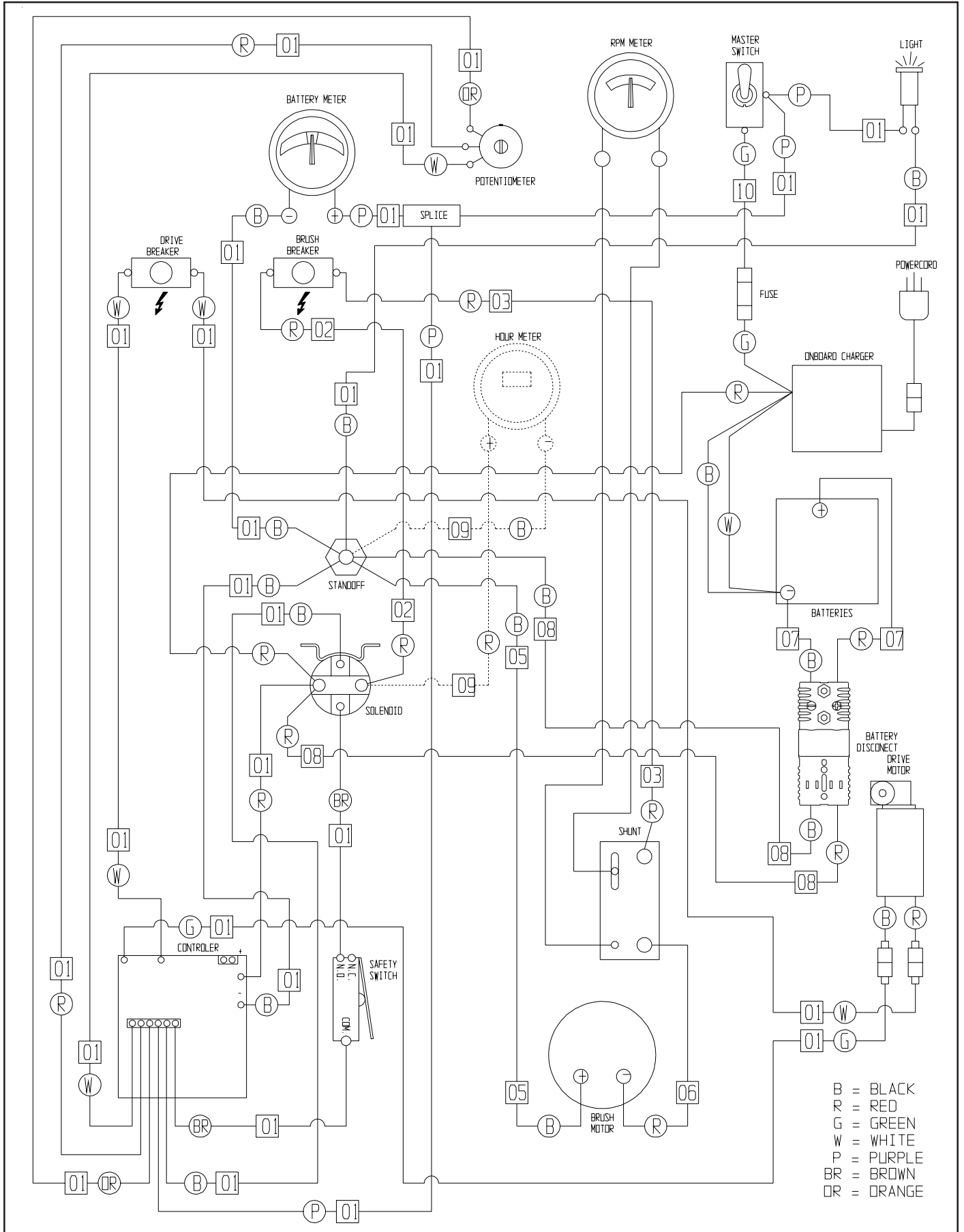
<b>ITEM</b>	<b>PART NO.</b>	<b>DESCRIPTION</b>	<b>QTY.</b>
1	6490801	WIRE ASSEMBLY, BREAKER TO SHUNT	1
2	6490811	WIRE ASSEMBLY, SOLENOID TO BREAKER	1
4	6495121	WIRE ASSEMBLY, SHUNT TO MOTOR	1
5	6495131	WIRE ASSEMBLY, MOTOR TO STANDOFF	1
6	6495721	WIRE ASSEMBLY, FUSE TO SWITCH	1
7	6490861	WIRE ASSEMBLY, SOLENOID / LIGHT / VOLT METER TO STANDOFF	1
8	6490871	WIRE ASSEMBLY, SAFETY SWITCH TO VOLT METER / SWITCH TO LIGHT	1
9	6490881	WIRE ASSEMBLY, HANDLE SWITCH TO SAFETY SWITCH	1
10	6490891	WIRE ASSEMBLY, SOLENOID TO HANDLE SWITCH	1
11	7691661	WIRE ASSEMBLY, ANDERSON - POS./NEG. BATTERY 36 VOLT	1
17	6491831	WIRE ASSEMBLY, ANDERSON TO SOLENOID / STANDOFF	1
97	2391981	BATTERY JUMPER 3/8" RING #97	2
—	2397361	HOUR METER - OPTIONAL	1
—	2691981	INDICATOR LIGHT - GREEN LENS / 35 VOLT WITH CLIP	1
—	4490561	INSULATED STANDOFF	1
—	4490701	CIRCUIT BREAKER - 70 AMP/ETA - MACHINES WITH 2 HP MOTOR	1
—	6491261	CIRCUIT BREAKER - 90 AMP - MACHINES WITH 3 HP MOTOR	1
—	4491011	SOLENOID, 36 VOLT	1
—	4491031	SHUNT	1
—	4491041	RPM METER WITH HARDWARE	1
—	4491051	BATTERY METER 36 VOLT WITH HARDWARE	1
—	4491061	BATTERY, 185 AMP/HR, 12 VOLT	3
—	4491071	SNAP SWITCH	2
—	4491101	TOGGLE SWITCH, MOTOR	1
—	4990321	FUSE HOLDER WITH NUT & WASHER	1
—	6491841	175 AMP ANDERSON WITH CONTACTS GRAY 36 VOLT	2
—	6493521	MOTOR, 36 VOLT - 2500 RPM - 2 HP	1
—	6496231	MOTOR, 36 VOLT - 2200 RPM - 3 HP	1
—	6495621	HOUR METER LEADS - OPTIONAL	1
—	6495691	36V ONBOARD CHARGER 120/240V 21AMP	1
—	6495701	120V ONBOARD CHARGER CORD	1
—	6495711	240V ONBOARD CHARGER CORD - SHUKO	1
—	6495741	3AG FAST-ACTING FUSE 4AMP	1
—	9123005	1/8 X 5 1/2 WIRE TIE - PACK OF 5	6

# WIRING DIAGRAM - AB



<u>ITEM</u>	<u>PART NO.</u>	<u>DESCRIPTION</u>	<u>QTY.</u>
1	6495321	WIRE HARNESS	1
2	6495331	WIRE ASSEMBLY, SOLENOID TO BRUSH BREAKER	1
3	6495341	WIRE ASSEMBLY, BRUSH BREAKER TO SHUNT	1
5	6495131	WIRE ASSEMBLY, MOTOR TO STANDOFF	1
6	6495121	WIRE ASSEMBLY, SHUNT TO MOTOR	1
7	7691661	WIRE ASSEMBLY, ANDERSON - POS./NEG. BATTERY 36 VOLT	1
8	6491831	WIRE ASSEMBLY, ANDERSON - SOLENOID / STANDOFF 36 VOLT	1
10	6495721	WIRE ASSEMBLY, FUSE TO SWITCH	1
97	2391981	BATTERY JUMPER 3/8" RING #97	2
—	2392201	CIRCUIT BREAKER, 10 AMP (DRIVE)	1
—	2397361	HOUR METER - OPTIONAL	1
—	2690021	SPEED CONTROL, CURTIS	1
—	2691981	INDICATOR LIGHT - GREEN LENS, 36 VOLT WITH CLIP	1
—	2694131	POTENTIOMETER, CURTIS CONTROL	1
—	2795711	KEY SWITCH & KEY - OPTIONAL	1
—	4490561	INSULATED STANDOFF	1
—	4490701	CIRCUIT BREAKER - 70 AMP/ETA (BRUSH) - MACHINES WITH 2 HP MOTOR	1
—	6491261	CIRCUIT BREAKER - 90 AMP - MACHINES WITH 3 HP MOTOR	1
—	4491011	SOLENOID, 36 VOLT	1
—	4491031	SHUNT	1
—	4491041	RPM METER WITH HARDWARE	1
—	4491051	BATTERY METER WITH HARDWARE	1
—	4491061	BATTERY, 205 AMP/HR, 12 VOLT	3
—	4491071	SNAP SWITCH (SAFETY)	1
—	4491101	TOGGLE SWITCH, MOTOR	1
—	4990321	FUSE HOLDER WITH NUT AND WASHER	1
—	6491841	175 AMP ANDERSON WITH CONTACTS GRAY 36 VOLT	2
—	6493521	MOTOR 36 VOLT - 2500 RPM, 2.5 HP	1
—	6496231	MOTOR, 36 VOLT - 2200 RPM - 3 HP	1
—	6495291	DRIVE MOTOR 36 VOLT	1
—	6496411	CARBON BRUSH	1
—	6495571	WIRE ASSEMBLY - KEY SWITCH ADAPTOR - OPTIONAL	1
—	6495621	HOUR METER LEADS - OPTIONAL	1
—	6495691	36V ONBOARD CHARGER 120/240V 21AMP	1
—	6495701	120V ONBOARD CHARGER CORD	1
—	6495711	240V ONBOARD CHARGER CORD - SHUKO	1
—	6495741	3AG FAST-ACTING FUSE 4AMP	1
—	9123005	1/8 X 5 1/2 WIRE TIE - PACK OF 5	1

# WIRING DIAGRAM - DB

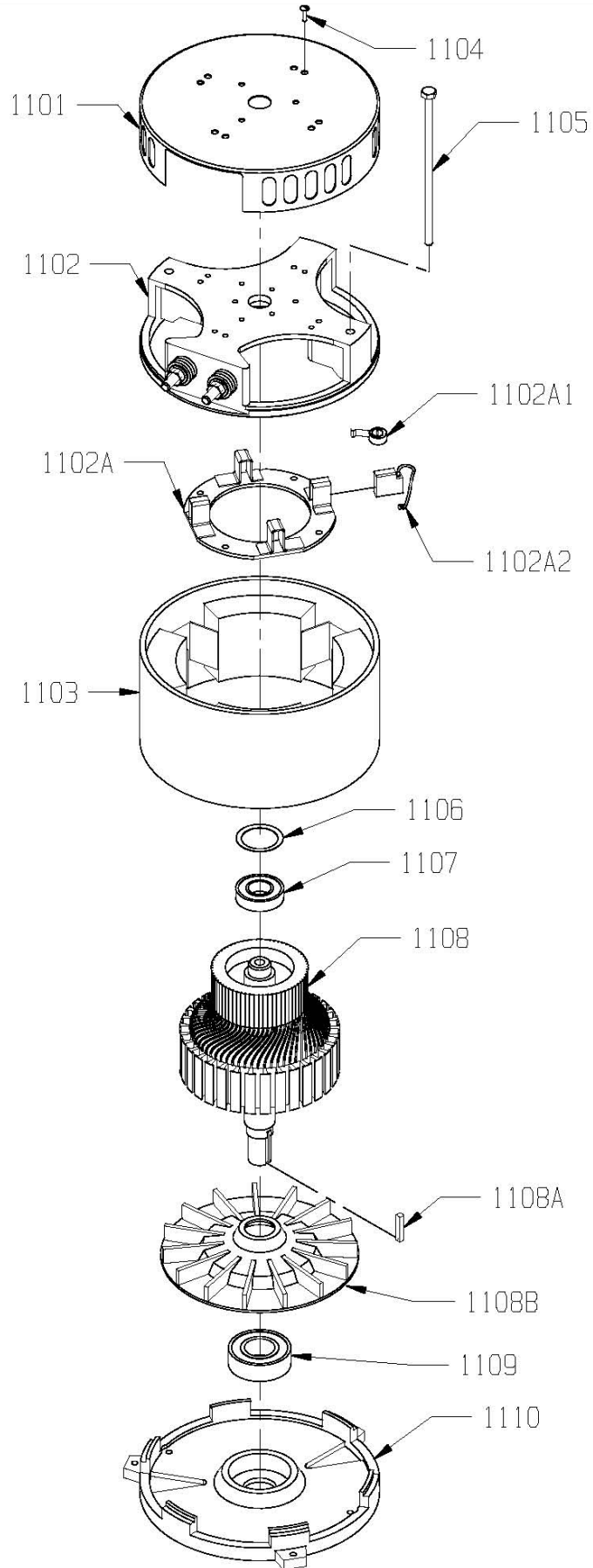


- B = BLACK
- R = RED
- G = GREEN
- W = WHITE
- P = PURPLE
- BR = BROWN
- OR = ORANGE

## MOTOR

<u>ITEM</u>	<u>PART NO.</u>	<u>DESCRIPTION</u>	<u>QTY.</u>
	<b><u>6493521</u></b>	<b><u>MOTOR 2500 RPM, 36 VOLT - 2HP - INCLUDES:</u></b>	1
1101	6496351	COMMUTATOR BRACKET COVER	1
	6496361	COMMUTATOR BRACKET ASSEMBLY - INCLUDES:	1
1102	6496371	COMMUTATOR BRACKET	1
1102A	6493601	BRUSH BOARD ASSEMBLY - INCLUDES:	1
1102A1	6493591	SPRING	2
1102A2	7692041	CARBON BRUSH	2
1103	5991521	STATOR FRAME ASSEMBLY - WITH CLIPS AND MAGNETS	1
1104	9120600	10-24 X 1/2 PAN HEAD PHILLIPS THREAD CUTTING SCREW - PK-10	4
1105	5991701	THRU BOLT	2
1106	5991741	HELICAL WASHER - LARGE	1
1107	5991551	BEARING - TOP END	1
1108	6493611	ARMATURE - 2500 RPM - INCLUDES:	1
1108A	9120827	3/16 SQUARE X 1 LONG KEY - STEEL - PACK OF 1	1
1108B	6493571	ALUMINUM FAN	1
1109	5991541	BEARING - BOTTOM END	1
1110	6493551	BEARING END BRACKET	1
	<b><u>6496231</u></b>	<b><u>MOTOR 2200 RPM, 36 VOLT - 3HP - INCLUDES:</u></b>	1
1101	6496351	COMMUTATOR BRACKET COVER	1
	6496361	COMMUTATOR BRACKET ASSEMBLY - INCLUDES:	1
1102	6496371	COMMUTATOR BRACKET	1
1102A	6493601	BRUSH BOARD ASSEMBLY - INCLUDES:	1
1102A1	6493591	SPRING	2
1102A2	7692041	CARBON BRUSH	2
1103	6496381	STATOR FRAME ASSEMBLY - WITH CLIPS AND MAGNETS	1
1104	9120600	10-24 X 1/2 PAN HEAD PHILLIPS THREAD CUTTING SCREW - PK-10	4
1105	6496391	THRU BOLT	2
1106	5991741	HELICAL WASHER - LARGE	1
1107	5991551	BEARING - TOP END	1
1108	6496401	ARMATURE - 2500 RPM - INCLUDES:	1
1108A	9120827	3/16 SQUARE X 1 LONG KEY - STEEL - PACK OF 1	1
1108B	6493571	ALUMINUM FAN	1
1109	5991541	BEARING - BOTTOM END	1
1110	6493551	BEARING END BRACKET	1

# MOTOR





**NSS® Enterprises, Inc.**

3115 Frenchmens Road, Toledo, Ohio 43607  
PHONE (419) 531-2121 FAX (419) 531-3761

**NSS® Enterprises, Inc. European Distribution Centre**  
Unit II, Pinfold Trading Estate \* 55 Nottingham Road  
STAPLEFORD, NOTTINGHAM NG9 8AD ENGLAND U.K.  
PHONE: (44) 0115 939 1568 \* FAX: (44) 0115 949 0615