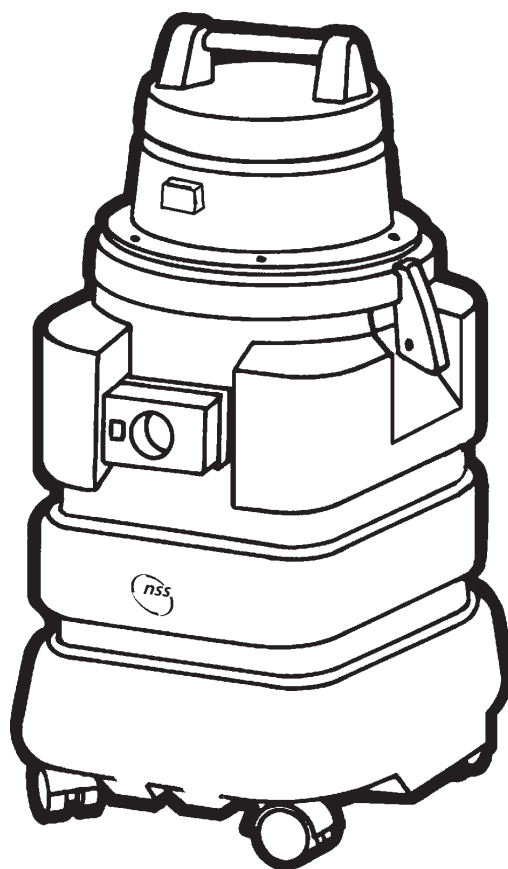


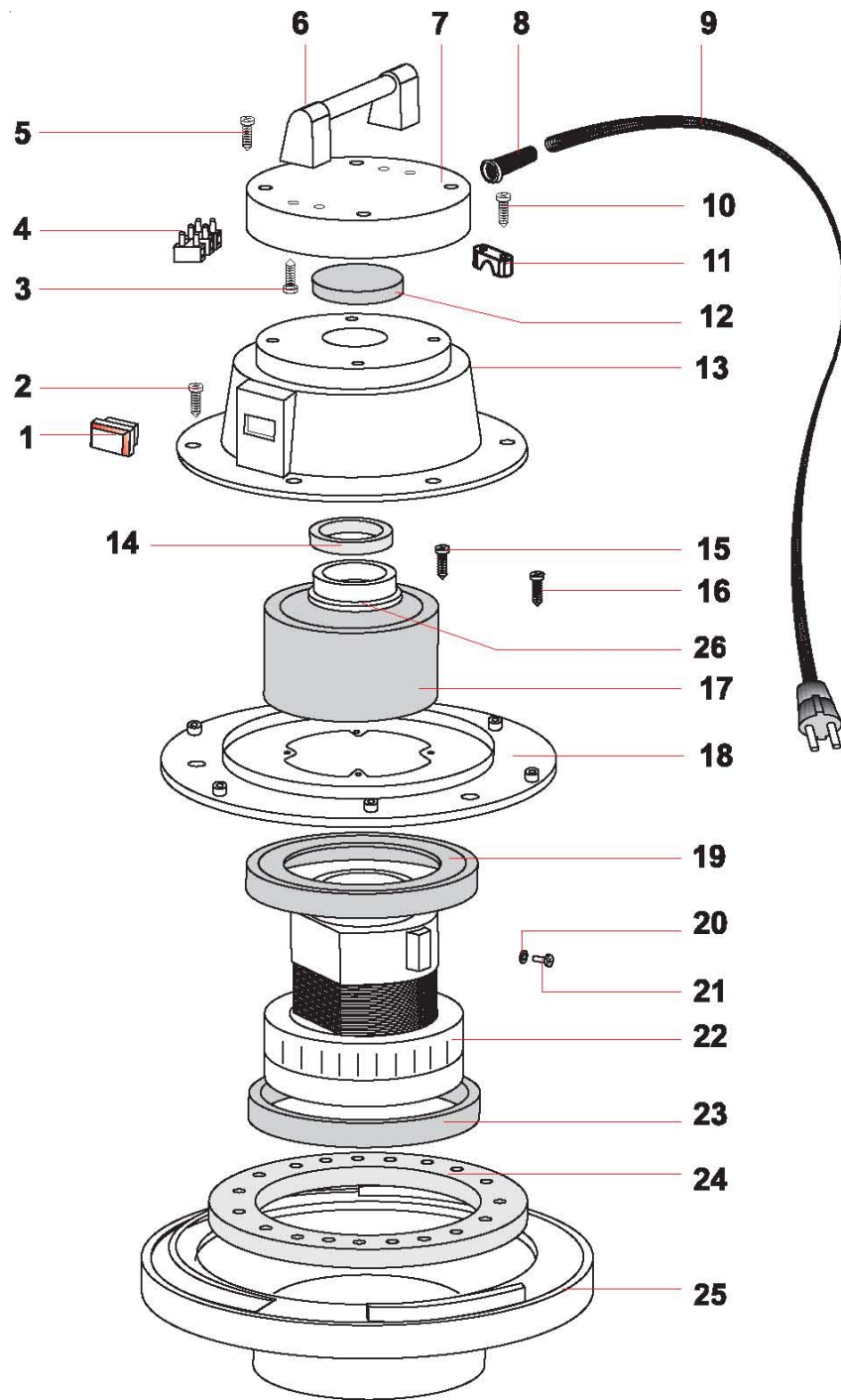
PARTS LIST
DESIGNER 7 WET / DRY VACUUM



MOTOR ASSEMBLY

<u>ITEM</u>	<u>PART #</u>	<u>DESCRIPTION</u>	<u>QTY</u>
1	5791411	SWITCH	1
2	5791441	M5 X 20 THREAD CUTTING SCREW	6
3	5791441	M5 X 20 THREAD CUTTING SCREW	2
4	5791431	TERMINAL BLOCK	1
5	5791451	M5 X 30 THREAD CUTTING SCREW	4
6	5791481	LIFT HANDLE ASSEMBLY	1
7	5790551	TOP COVER - 120 VOLT	1
	5791971	TOP COVER - 240 VOLT	1
8	5791771	STRAIN RELIEF - 120 VOLT	1
	5791021	STRAIN RELIEF - 240 VOLT	1
9	5794001	CORD 16-3 SJTW - 50 FOOT - 120 VOLT	1
	0294391	SHUKO CORD - 50 FOOT - 240 VOLT	1
10	5791441	M5 X 20 THREAD CUTTING SCREW	2
11	5791041	CORD CLAMP	1
12	5791731	FILTER	1
13	5790511	LOWER COVER - 120 VOLT	1
	5791951	LOWER COVER - 240 VOLT	1
14	5791741	WASHER - H8 D 85 X 65	1
15	5791441	M5 X 20 THREAD CUTTING SCREW	4
16	5797161	M5 X 14 PHILLIPS HEAD SCREW	2
17	5791711	FOAM FILTER	1
18	5791881	MOTOR SEPARATOR - 120 VOLT	1
	5792021	MOTOR SEPARATOR - 240 VOLT	1
19	5791721	"L" GASKET	1
20	5792651	M4 HEX NUT WITH STAR LOCK WASHER - 120 VOLT ONLY	1
21	5792551	M4 X 8 SCREW - 120 VOLT - ONLY	1
22	0296439	MOTOR 120 VOLT - 60 HZ - REPLACEMENT - LAMB - INCLUDES:	1
22A	5791561	CARBON BRUSH REPLACEMENT FOR ORIGINAL MOTOR	2
	0299331	CARBON BRUSH REPLACEMENT FOR LAMB MOTOR	2
22	0296459	MOTOR 240 VOLT - 50/60 HZ - REPLACEMENT - LAMB - INCLUDES:	1
22A	5791601	CARBON BRUSH REPLACEMENT FOR ORIGINAL MOTOR	2
	0299331	CARBON BRUSH REPLACEMENT FOR LAMB MOTOR	2
23	5791721	"L" GASKET	1
24	5791691	WASHER MTP 65MM 18D 230 X 145	1
25	5791901	BASE WITH GASKET	1
26	5791781	PLASTIC RING FOR MOTOR - 120 VOLT	1
	5790261	PLASTIC RING FOR MOTOR - 240 VOLT	1
*	5798361	CONNECT WIRES - BLUE / BROWN - SET OF 2	2
*	5798371	GROUND WIRES - GREEN / YELLOW - 120 VOLT ONLY	1
*	5798381	WIRE TERMINAL	2
*	5798391	WIRE TIES	2
N/S	5790971	WARNING DECAL - 120 VOLT ONLY	1
N/S	5790981	GROUNDING DECAL - 120 VOLT ONLY	1
N/S	5790991	ICON ADAPTOR DECAL - 240 VOLT ONLY	1
N/S	5790951	NSS LOGO - DECAL 3.5 X 7	2
N/S	5790961	WET / DRY DECAL	1
N/S	5790931	NAME IDENTIFIER DECAL	1

MOTOR ASSEMBLY



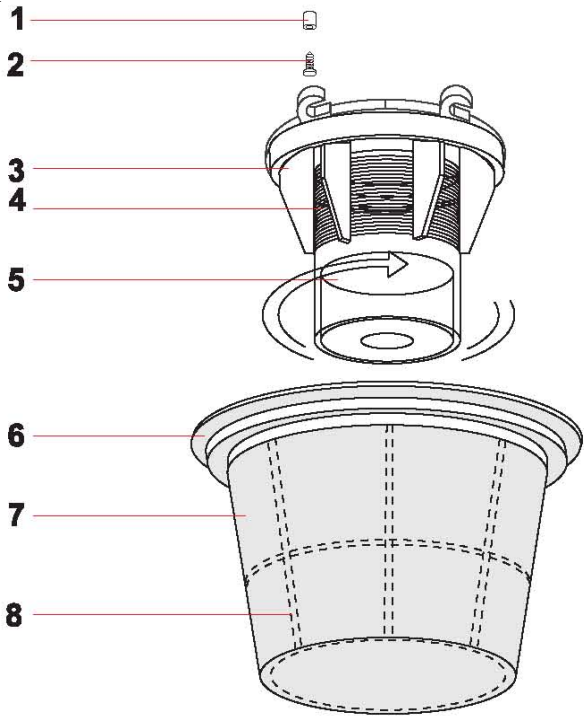
FILTER ASSEMBLY

<u>ITEM</u>	<u>PART #</u>	<u>DESCRIPTION</u>	<u>QTY</u>
1	5790871	SLEEVE	4
2	5791641	M5 X 25 PHILLIPS THREAD CUTTING SCREW	4
3	5792239	FLOAT ASSEMBLY	1
4	5795011	FLOAT SCREEN	1
5	5792191	FLOAT	1
	5795001	FILTER ASSEMBLY - INCLUDES:	1
6	5798021	FILTER RING	1
7	5792201	FILTER BAG	1
8	5790841	BASKET	1

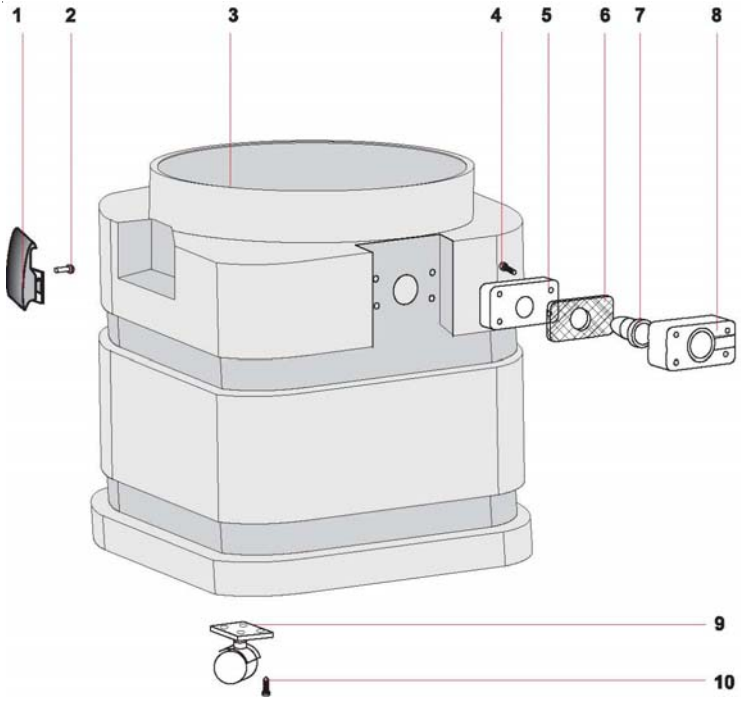
TANK ASSEMBLY

<u>ITEM</u>	<u>PART #</u>	<u>DESCRIPTION</u>	<u>QTY</u>
1	5792531	LID CLAMP	2
2	5792671	LID CLAMP RIVET	4
3	5796001	TANK	1
4	5792631	M5 X 35 THREAD CUTTING SCREW	4
5	5796551	INTAKE SUPPORT	1
6	5796021	INTAKE GASKET	1
7	5793381	INTAKE DEFLECTOR	1
8	5796031	PLASTIC INTAKE COMPLETE - INCLUDES:	1
8A	5793411	INTAKE, PLASTIC	1
8B	5793371	SPRING	1
8C	5793361	BUTTON - INTAKE	1
9	5796041	PLATE - CASTER	4
10	5792581	M4 X 15 THREAD CUTTING SCREW	16

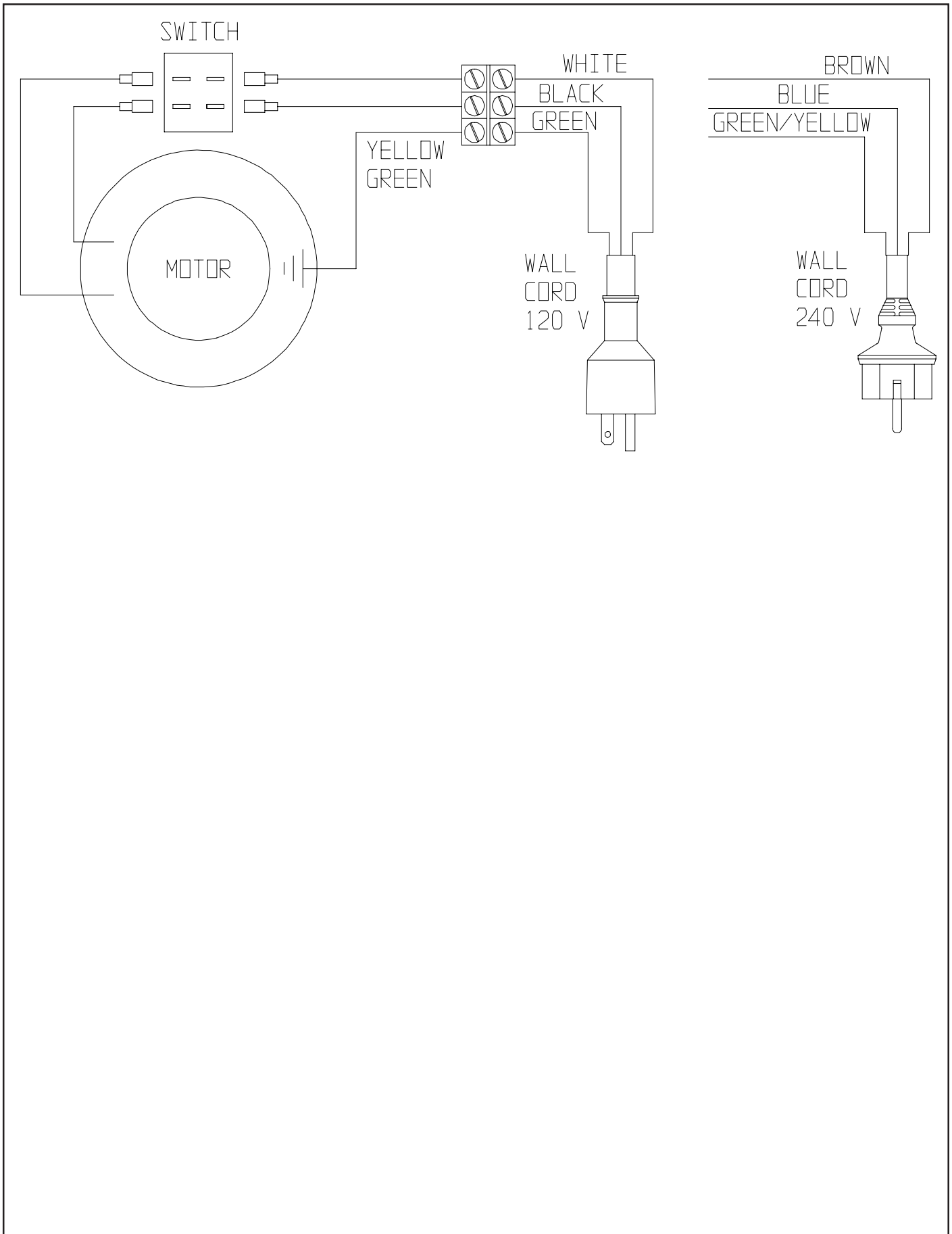
FILTER ASSEMBLY



TANK ASSEMBLY



WIRING DIAGRAM



ACCESSORIES



5797071 WET / DRY TOOL KIT INCLUDES:
5797061 HOSE - 1 1/2" X 8 FEET LONG
5797011 15" SQUEEGEE TOOL WITH WHEELS
5797021 15" BARE FLOOR TOOL WITH WHEELS
5797031 15" CARPET TOOL WITH WHEELS
5790111 2 1/2" ROUND BRUSH
5790291 CREVICE TOOL
5790301 9" WALL BRUSH TOOL
5790311 UTILITY NOZZLE
5790331 2 - PIECE STEEL WAND
3191469 HI-UP EXTENSION TUBE KIT - PLASTIC - 2 PIECE

5795001 FILTER ASSEMBLY - INCLUDES:
5792131 BAG RING, FILTER BAG, FILTER STAND (BASKET)
POLYESTER FILTER ASSEMBLY



5797061 1 1/2" X 8' HOSE
5797081 1 1/2" WAND HOSE CUFF
5797091 INTAKE HOSE CUFF
2590309 1 1/2" EXTENSION HOSE CONNECTOR
5790021 HOSE COUPLING FOR USE WITH TOOLS



5790331 2 PIECE STEEL WAND

3191469 PLASTIC HI-UP EXTENSION TUBE KIT (2PIECES)





NSS ® Enterprises, Inc.

3115 Frenchmens Road, Toledo, Ohio 43607
PHONE (419) 531-2121 FAX (419) 531-3761

NSS ® Enterprises, Inc. European Distribution Centre
Unit II, Pinfold Trading Estate * 55 Nottingham Road
STAPLEFORD, NOTTINGHAM NG9 8AD ENGLAND U.K.
PHONE: (44) 0115 939 1568 * FAX: (44) 0115 949 0615