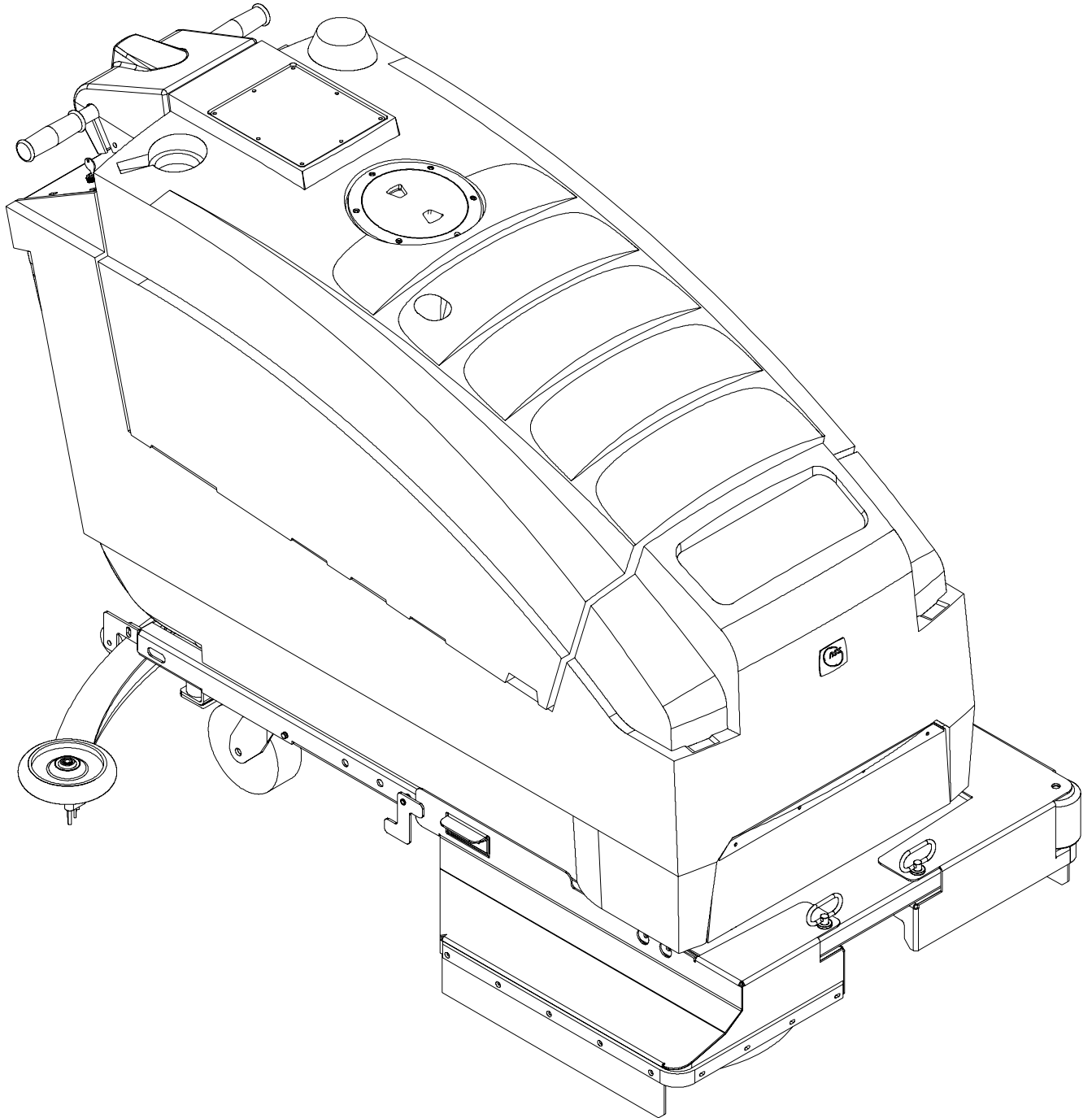


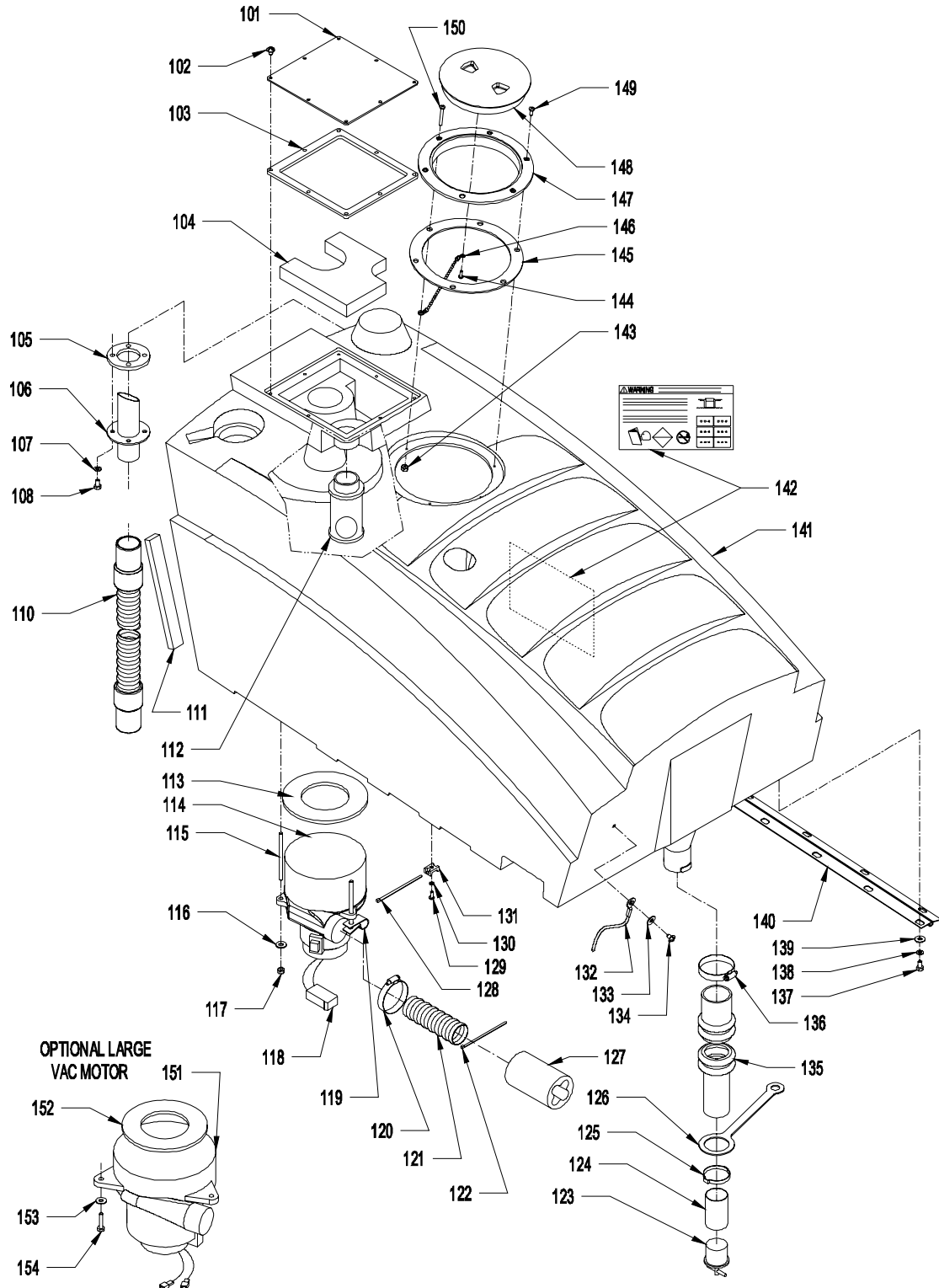
PARTS LIST
WRANGLER 2730 & 3330



RECOVERY TANK ASSEMBLY

ITEM	PART NO.	DESCRIPTION	QTY
101	3392051	TOP PLATE	1
102	9120500	10-24 X 3/8 TRUSS HEAD PHILLIPS SCREW	8
103	3392061	GASKET, TOP PLATE	1
104	3392041	FILTER, VAC MOTOR INTAKE	1
105	3392081	GASKET, INLET VAC TUBE	1
106	3392071	INLET VAC TUBE	1
107	9120880	1/4 SPLIT LOCK WASHER	4
108	9121170	1/4-20 X 1/2 HEX BOLT	4
110	2690591	SQUEEGEE VAC HOSE WITH CUFFS	1
111	3393040	GASKET - .75" X 1" [50" LONG]	1
112	2391541	FLOAT SCREEN	1
113	2490561	GASKET, VAC MOTOR	1
114	3393361	VAC MOTOR WITH MALE PLUG - INCLUDES:	1
	2792571	CARBON BRUSH	2
115	9121363	1/4-20 X 4 1/2 LONG FULL THREADED STUD	3
116	9120930	9/32 I.D. X 5/8 O.D. X .051/.080 THICK SAE FLAT WASHER (1/4)	3
117	9120900	1/4-20 HEX NUT WITH NY-LOK INSERT	3
118	3393469	OB KIT, MALE PLUG CONNECTOR-VAC MOTOR (INCLUDES THE FOLLOWING)	1
118A	3393371	MALE PLUG CONNECTOR	1
118B	3393381	MALE TERMINAL	1
118C	3393321	CABLE SEAL	2
118D	3393331	TERMINAL LOCATOR	1
119	3291111	CORD CLAMP	1
120	4495441	HOSE CLAMP, 1 9/16" TO 2 1/2" DIAMETER	1
121	3392561	VAC EXHAUST HOSE	1
122	9123000	1/8 X 11" WIRE TIE	1
123	2795621	DRAIN PLUG	1
124	2391661	HOSE TUBE	1
125	2392161	TUBE HOSE CLAMP	2
126	2791881	PLUG STRAP	1
127	7691261	EXHAUST MUFFLER TUBE	1
128	9123000	1/8 X 11" WIRE TIE	2
129	9120510	10-24 X 1/2 TRUSS HEAD PHILLIPS MACHINE SCREW	2
130	9120330	#10 EXTERNAL STAR LOCK WASHER	2
131	2397671	CLIP, TIE STRAP	2
132	2690961	STRAP, RECOVERY TANK	1
133	9120930	9/32 I.D. X 5/8 O.D. X .051/.080 THICK SAE FLAT WASHER (1/4)	1
134	9120990	1/4-20 X 3/8 TRUSS HEAD PHILLIPS MACHINE SCREW	1
135	2691121	DRAIN HOSE	1
136	4495441	HOSE CLAMP, 1 9/16" TO 2 1/2" DIAMETER	1
137	9121170	1/4-20 X 1/2 HEX BOLT	13
138	9120880	1/4 SPLIT LOCK WASHER	13
139	9120940	5/16 I.D. X 3/4 O.D. X .051/.080 THICK WROUGHT WASHER (1/4)	13
140	2691071	HINGE	1
141	3392011	RECOVERY TANK	1
142	3392811	BATTERY WARNING DECAL	1
143	9120360	10-24 HEX NUT WITH STAR LOCK WASHER	1
	2690889	RECOVERY TANK LID ASSEMBLY - INCLUDES:	1
145	2690891	RECOVERY TANK LID GASKET	1
	2690881	RECOVERY TANK LID ASSEMBLY - ALSO INCLUDES:	1
144	9120205	#8 X 1/2 PAN HEAD PHILLIPS SHEET METAL SCREW	1
146	2690931	LID CHAIN	1
147	2690921	BLACK RING	1
148	2690911	LID CLEAR	1
149	9120790	10 X 5/8 PAN HEAD PHILLIPS SHEET METAL SCREW	5
150	9120460	10-24 X 1 1/4" ROUND HEAD PHILLIPS MACHINE SCREW	1

RECOVERY TANK ASSEMBLY

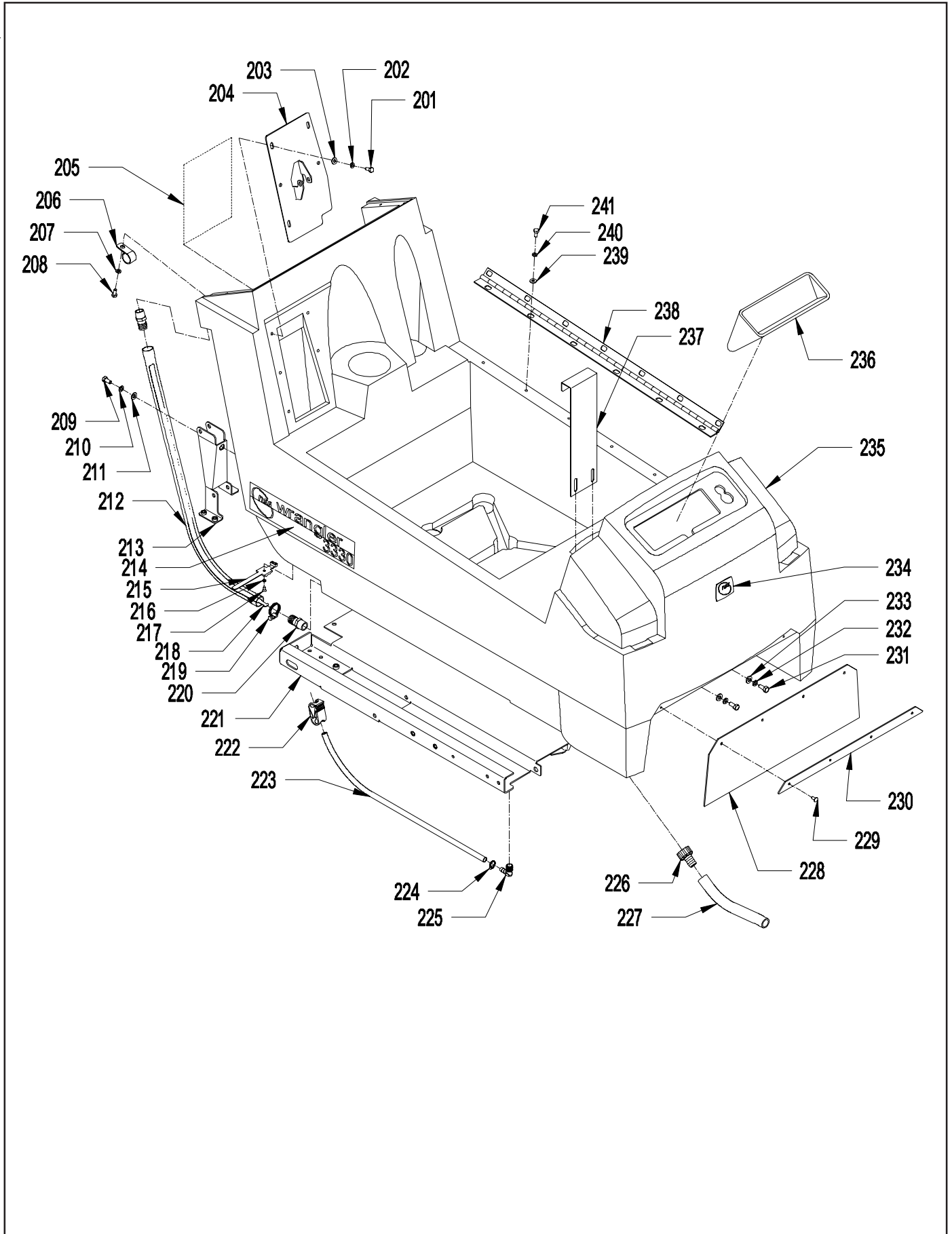


ITEM	PART NO.	DESCRIPTION	QTY
151	3393219	1 H.P. VAC MOTOR KIT - OPTIONAL LARGE VAC MOTOR - INCLUDES:	1
	7693851	1 H.P. VAC MOTOR	1
	7694031	CARBON BRUSH	2
152	2490561	GASKET, VAC MOTOR	1
	3393161	INSTRUCTIONS 1 H.P. VAC MOTOR KIT	1
153	9120930	9/32 I.D. X 5/8 O.D. X .051/.080 THICK SAE FLAT WASHER (1/4)	3
154	9121270	1/4-20 X 1 HEX BOLT	3

SOLUTION TANK ASSEMBLY

<u>ITEM</u>	<u>PART NO.</u>	<u>DESCRIPTION</u>	<u>QTY.</u>
201	9121210	1/4-20 X 5/8 HEX BOLT	5
202	9120880	1/4 SPLIT LOCK WASHER	5
203	9120930	9/32 I.D. X 5/8 O.D. X .051/.080 THICK SAE FLAT WASHER (1/4)	5
204	3392241	BRUSH LIFT HANDLE MOUNT	1
205	3392781	DECAL WIRING DIAGRAM	1
206	2395761	CLAMP, TUBE	1
207	9120880	1/4 SPLIT LOCK WASHER	1
208	9121170	1/4-20 X 1/2 HEX BOLT	1
209	9121600	5/16-18 X 5/8 HEX BOLT	1
210	9121520	5/16 SPLIT LOCK WASHER	1
211	9121390	11/32 I.D. X 11/16 O.D. X .051/.080 THICK SAE FLAT WASHER (5/16)	1
212	8791030	VINYL HOSE, 3/4" ID X 1" O.D. [30" LONG]	1
213	3392251	BRUSHACTUATOR BRACKET	1
214	3392091	SIDE DECAL - 2730	2
	3392101	SIDE DECAL - 3330	2
215	2397271	UNIVERSAL MOUNTING STRAP	1
216	9120330	#10 EXTERNAL STAR LOCK WASHER	1
217	9120540	10-24 X 1/2 FLAT HEAD PHILLIPS MACHINE SCREW	1
218	3392681	SIGHT GAUGE	1
219	2392141	HOSE CLAMP, 11/16" TO 1 1/4" DIAMETER	1
220	2691731	SOLUTION TANK DRAIN FITTING	2
221	3392301	FRAME	1
222	3390661	TUBING CONTROL VALVE	1
223	8791070	VINYL HOSE, 3/8" ID X 1/2" OD [29" LONG]	1
224	2392481	HOSE CLAMP, 7/32" TO 5/8" DIAMETER	1
225	2490601	FITTING, ELBOW 3/8 BARB X 1/4 NPT - POLY BLACK	1
226	2690251	FILTER FITTING HOSE BARB AND COLLAR	1
227	8791180	1/2 I.D. X 3/4 O.D. VINYL TUBING [10" LONG]	1
228	3392631	FRONT CONCEALMENT FLAP	1
229	9120510	10-24 X 1/2 TRUSS HEAD PHILLIPS MACHINE SCREW	4
230	3392641	STRAP, FRONT CONCEALMENT FLAP	1
231	9121640	5/16-18 X 3/4 HEX BOLT	2
232	9121520	5/16 SPLIT LOCK WASHER	2
233	9121390	11/32 I.D. X 11/16 O.D. X .051/.080 THICK SAE FLAT WASHER (5/16)	2
234	7690931	NSS LOGO DECAL	1
235	3392001	SOLUTION TANK	1
236	7691249	FILTER SCREEN ASSEMBLY - INCLUDES:	1
	7691231	FILTER SCREEN BAG FRAME	1
	4891311	FILTER SCREEN BAG	1
237	3393011	FRONT TANK TIE DOWN STRAP	1
238	2691071	HINGE, RECOVERY TANK	1
239	9120940	5/16 I.D. X 3/4 O.D. X .051/.080 THICK WROUGHT WASHER (1/4)	13
240	9120880	1/4 SPLIT LOCK WASHER	13
241	9121170	1/4-20 X 1/2 HEX BOLT	13

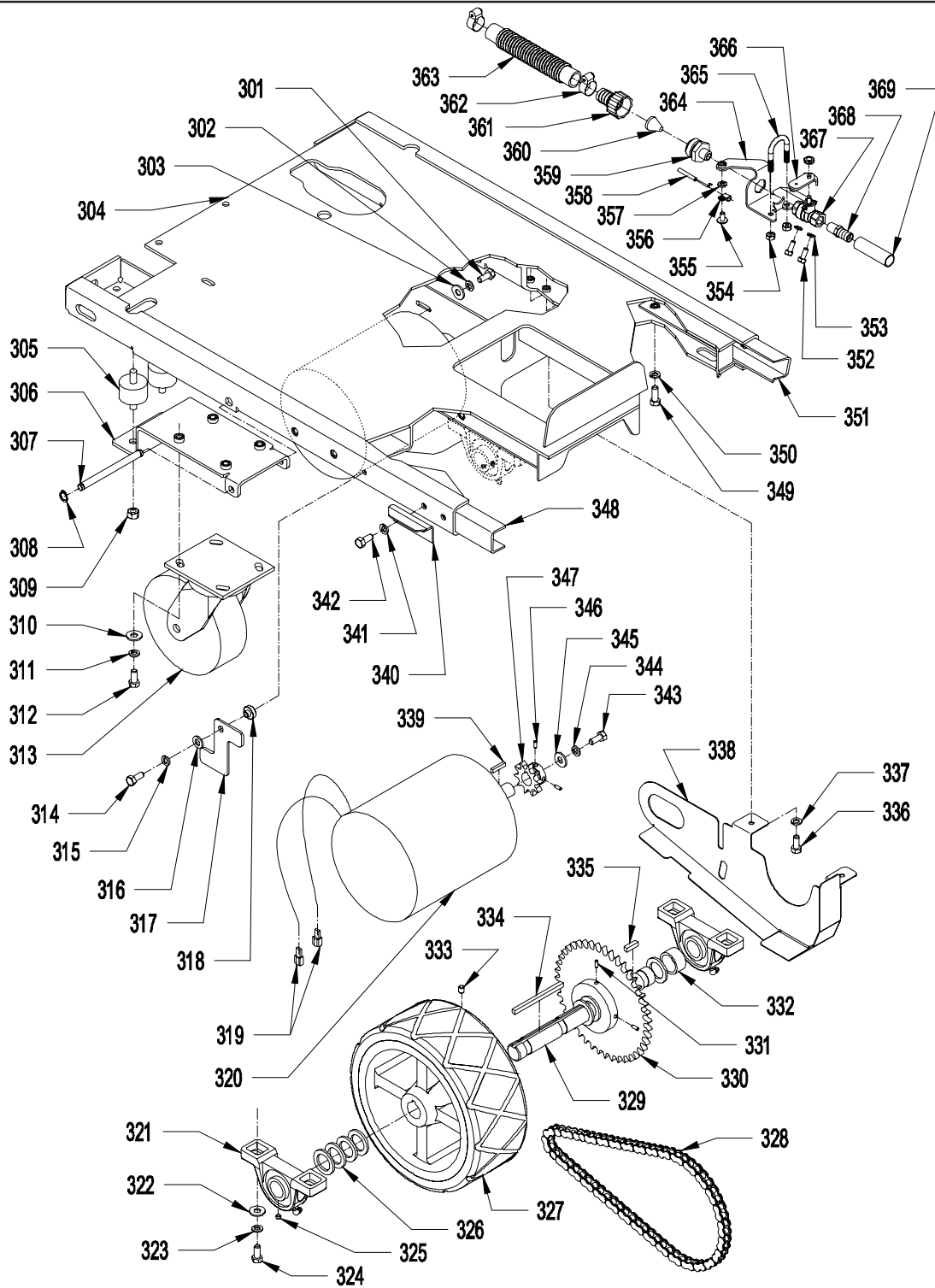
SOLUTION TANK ASSEMBLY



FRAME & DRIVE WHEEL ASSEMBLY

<u>ITEM</u>	<u>PART NO.</u>	<u>DESCRIPTION</u>	<u>QTY.</u>
301	9121250	1/4-20 X 3/4 HEX BOLT WITH NYLON PATCH	4
302	9120880	1/4 SPLIT LOCK WASHER	4
303	9120930	9/32 I.D. X 5/8 O.D. X .051/.080 THICK SAE FLAT WASHER (1/4)	4
304	3392301	FRAME	1
305	2691391	VIBRATION MOUNT, CASTER BRACKET	4
306	3392521	CASTER MOUNT	2
307	3392541	BUMPER WHEEL PIN / CASTER MOUNT	2
308	5091701	RETAINING RING	4
309	9122140	3/8-16 HEX NUT WITH NY-LOK INSERT	4
310	9121980	7/16 I.D. X 1 O.D. X .075/.080 THICK SAE FLAT WASHER (3/8)	8
311	9122100	3/8 SPLIT LOCK WASHER	8
312	9122220	3/8-16 X 3/4 HEX BOLT	8
313	3392591	CASTER 6 X 2 - RED	2
	3392601	RED CASTER WHEEL - ONLY	2
314	9121270	1/4-20 X 1 HEX BOLT	2
315	9120880	1/4 SPLIT LOCK WASHER	2
316	9120930	9/32 I.D. X 5/8 O.D. X .051/.080 THICK SAE FLAT WASHER (1/4)	2
317	2490651	SKIRT LATCH	2
318	2691771	SKIRT LATCH PIN	2
319	2690581	1/4 SPADE MALE TERMINAL 10-12 GA. YELLOW	2
320	2790101	DRIVE MOTOR 36 VOLT	1
321	2691241	PILLOW BLOCK BEARING - INCLUDES:	2
325	9120840	1/4-20 X 3/16 SET SCREW - KNURL POINT	4
322	9121980	7/16 I.D. X 1 O.D. X .075/.080 THICK SAE FLAT WASHER (3/8)	4
323	9122100	3/8 SPLIT LOCK WASHER	4
324	9122300	3/8-16 X 1 1/4 HEX BOLT	4
326	6590521	1 I.D. X 1.5 O.D. X .13 THICK FLAT WASHER - 10 GAGE	7
327	3392031	10" DRIVE WHEEL	1
328	3392949	#40 ROLLER CHAIN - 63 LINKS + MASTER LINK - INCLUDES:	1
	3392931	#40 ROLLER CHAIN - 63 LINKS - NO MASTER LINK	1
	2795211	MASTER LINK #40 CHAIN, NICKEL PLATED	1
329	3392571	DRIVE AXLE	1
330	3392581	DRIVEN SPROCKET 43 TEETH - INCLUDES:	1
331	9120850	1/4-20 X 5/16 SET SCREW - KNURL POINT	2
332	2692271	DRIVE WHEEL SPACER 1" I.D. X .6875	1
333	9121380	5/16-18 X 3/8 SET SCREW - KNURL POINT	
334	9121317	1/4 SQUARE X 3 3/4 LONG KEY	1
335	9121310	1/4 SQUARE X 7/8 LONG KEY - STEEL	1
336	9121210	1/4-20 X 5/8 HEX BOLT	2
337	9120880	1/4 SPLIT LOCK WASHER	2
338	3392411	CHAIN GUARD	1
339	2792681	1/4" X 1/4" X 1" MOTOR KEY	1
340	3392491	SKIRT SUPPORT	2
341	9121520	5/16 SPLIT LOCK WASHER	4
342	9121640	5/16-18 X 3/4 HEX BOLT	4
343	9121640	5/16-18 X 3/4 HEX BOLT	1
344	9121520	5/16 SPLIT LOCK WASHER	1
345	9121400	3/8 I.D. X 7/8 O.D. X .064/.104 THICK WROUGHT WASHER (5/16)	1
347	2695011	DRIVE SPROCKET, MOTOR WITH SET SCREW - INCLUDES:	1
346	9120850	1/4-20 X 5/16 SET SCREW - KNURL POINT	2
348	3393023	FRAME CHANNEL, RIGHT SIDE	1
349	9121600	5/16-18 X 5/8 HEX BOLT	2
350	9121520	5/16 SPLIT LOCK WASHER	2
351	3393033	FRAME CHANNEL, LEFT SIDE	1
352	9121210	1/4-20 X 5/8 HEX BOLT	2
353	9120880	1/4 SPLIT LOCK WASHER	2
354	9120910	1/4-20 HEX NUT WITH STAR LOCK WASHER	2
355	9121090	1/4-20 X 1/2 TRUSS HEAD PHILLIPS MACHINE SCREW	1
356	7691061	CONDUIT CLAMP	1
357	9120970	1/4 EXTERNAL STAR LOCK WASHER	1
358	7691051	SOLUTION LEVER AND CABLE ASSEMBLY	1
359	2690232	FILTER FITTING VALVE	1

FRAME & DRIVE WHEEL ASSEMBLY

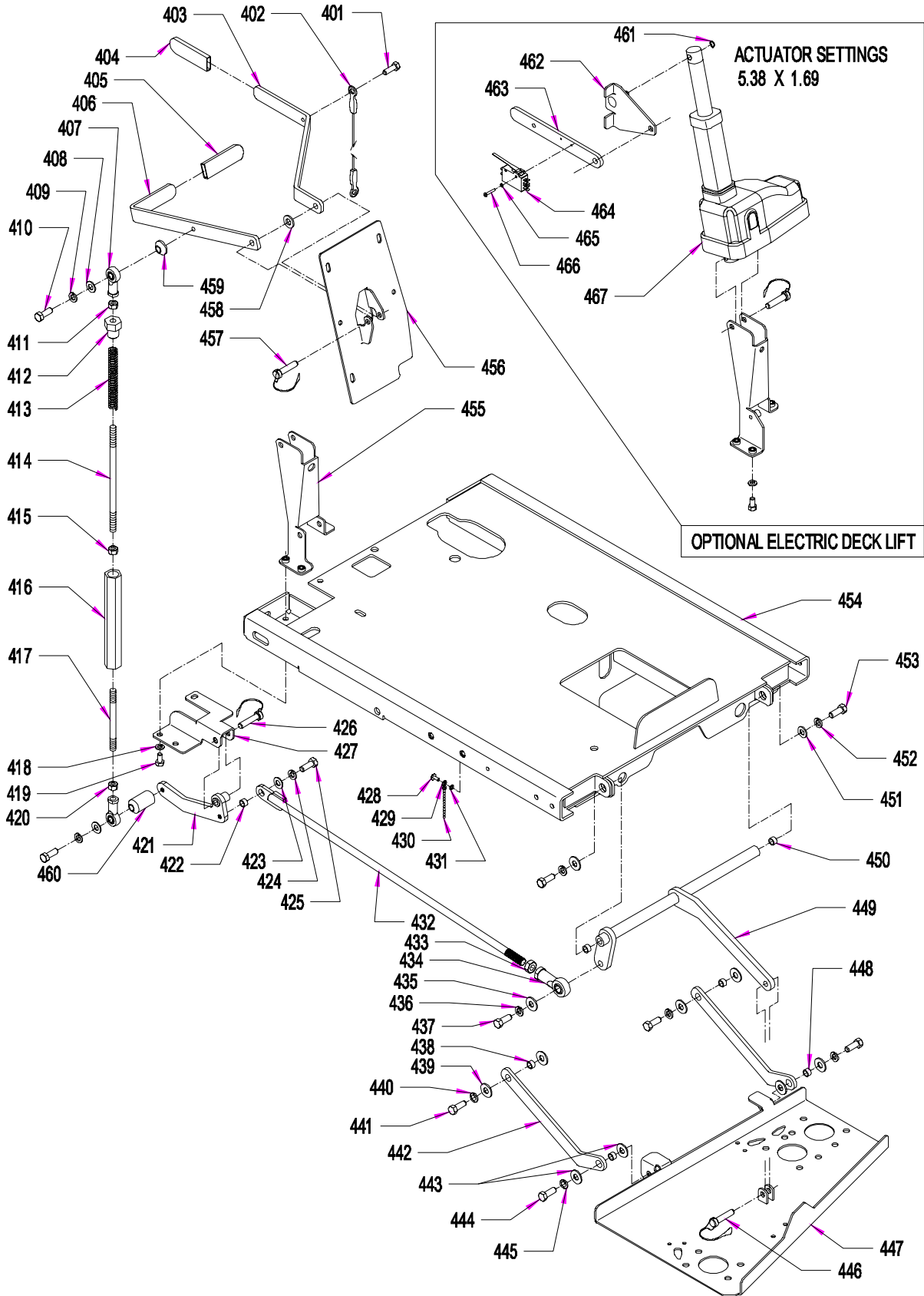


ITEM	PART NO.	DESCRIPTION	QTY.
360	2690241	SCREEN FILTER	1
361	7693771	FILTER FITTING, 3/4" HOSE BARB	1
362	7693811	HOSE CLAMP - 9/16" TO 1 1/16"	2
363	7693781	6.5 X 3/4 CONVOLUTED TUBING	1
364	3393131	SOLUTION VALVE BRACKET	1
365	9123140	1/4-20 X 1 3/4 X 1 3/4 "U" BOLT	1
366	7691041	VALVE LEVER	1
367	1391531	SOLUTION VALVE	1
368	2495161	FITTING, 1/2 HOSE BARB X 1/4 MNPT	1
369	8791180	1/2 X 3/4 VINYL TUBING [28" LONG]	1

BRUSH DECK LIFT ASSEMBLY

ITEM	PART NO.	DESCRIPTION	QTY.
401	9122020	3/8 X 3/8 SOCKET HEAD SHOULDER BOLT (5/16-18)	1
402	3392141	SQUEEGEE LIFT CABLE	1
403	3392121	SQUEEGEE LIFT HANDLE	1
404	3393001	SQUEEGEE LIFT HANDLE GRIP	1
405	2690981	LIFT HANDLE GRIP	1
406	3392171	BRUSH LIFT HANDLE	1
407	4490531	3/8" ROD END	2
408	9121980	7/16 I.D. X 1 O.D. X .075/.080 THICK SAE FLAT WASHER (3/8)	2
409	9122100	3/8 SPLIT LOCK WASHER	2
410	9122260	3/8-16 X 1 HEX BOLT	2
411	9122010	3/8-24 HEX NUT	1
412	2691831	SPRING HOUSING RETAINER	1
413	3392401	SPRING BRUSH LIFT	1
414	2397581	LIFT ROD 13"	1
415	9122140	3/8-16 HEX NUT WITH NY-LOK INSERT	1
416	3392181	SPRING HOUSING BRUSH LIFT	1
417	2691811	SHORT LIFT ROD	1
418	9121520	5/16 SPLIT LOCK WASHER	3
419	9121640	5/16-18 X 3/4 HEX BOLT	3
420	9122010	3/8-24 HEX NUT	1
421	3393411	BRUSH LIFT PIVOT ARM	1
422	2691181	PIVOT SPACER, STABILIZER BAR	1
423	9121980	7/16 I.D. X 1 O.D. X .075/.080 THICK SAE FLAT WASHER (3/8)	1
424	9122100	3/8 SPLIT LOCK WASHER	1
425	9122220	3/8-16 X 3/4 HEX HEAD BOLT	1
426	9121950	3/8 X 1 5/8 CLEVIS PIN - STEEL - ZINC PLATE (WITH RETAINER)	1
427	3393421	BRUSH LIFT PIVOT BRACKET	1
428	9120510	10-24 X 1/2 TRUSS HEAD PHILLIPS MACHINE SCREW	1
429	6491871	END COUPLING ROUND BEAD CHAIN	1
430	6491860	ROUND BEAD CHAIN (CUT TO 3")	1
431	9120330	#10 EXTERNAL STAR LOCK WASHER	1
432	3393401	BRUSH LIFT ROD	1
433	9122680	1/2 13 HEX JAM NUT	1
434	2391941	BALL JOINT	1
435	9122450	17/32 I.D. X 1 1/16 O.D. X .074/.121 THICK SAE FLAT WASHER (1/2)	2
436	9122420	1/2 SPLIT LOCK WASHER	2
437	9122540	1/2-13 X 1 1/4 HEX BOLT	2
438	2691181	PIVOT SPACER, STABILIZER BAR	2
439	9121980	7/16 I.D. X 1 O.D. X .075/.080 THICK SAE FLAT WASHER (3/8)	4
440	9122100	3/8 SPLIT LOCK WASHER	2
441	9122260	3/8-16 X 1 HEX BOLT	2
442	3392211	BRUSH DECK ARM	2
443	9121980	7/16 I.D. X 1 O.D. X .075/.080 THICK SAE FLAT WASHER (3/8)	4
444	9122260	3/8-16 X 1 HEX BOLT	2
445	9122100	3/8 SPLIT LOCK WASHER	2
446	9121950	3/8 X 1 5/8 CLEVIS PIN - STEEL - ZINC PLATE (WITH RETAINER)	1
447	3392233	BRUSH DECK	1
448	2691181	PIVOT SPACER, STABILIZER BAR	2
449	3392191	BRUSH LIFT SHAFT FRONT	1
450	2790751	BUSHING SPACER	2
451	9122450	17/32 I.D. X 1 1/16 O.D. X .074/.121 THICK SAE FLAT WASHER (1/2)	2
452	9122420	1/2 SPLIT LOCK WASHER	2
453	9122540	1/2-13 X 1 1/4 HEX BOLT	2
454	3392301	FRAME	1
455	3392251	BRUSH ACTUATOR BRACKET	1
456	3392241	BRUSH LIFT HANDLE MOUNT	1
457	9121950	3/8 X 1 5/8 CLEVIS PIN - STEEL - ZINC PLATE (WITH RETAINER)	1
458	9122470	9/16 I.D. X 1 3/8 O.D. X .086/.132 THICK WROUGHT WASHER (1/2)	1
459	3393391	SPACER, UPPER ACTUATOR - OPTIONAL ELECTRIC DECK LIFT	1
460	3393351	SPACER, LOWER ACTUATOR - OPTIONAL ELECTRIC DECK LIFT	1
461	1391261	3/8 RETAINING RING	1
462	3392271	BRUSH ACTUATOR STOP ARM	1
463	3392261	BRUSH ACTUATOR SWITCH ARM	1
464	4991271	LIMIT SWITCH	1
465	9120130	#6 EXTERNAL STAR LOCK WASHER	2

BRUSH DECK LIFT ASSEMBLY



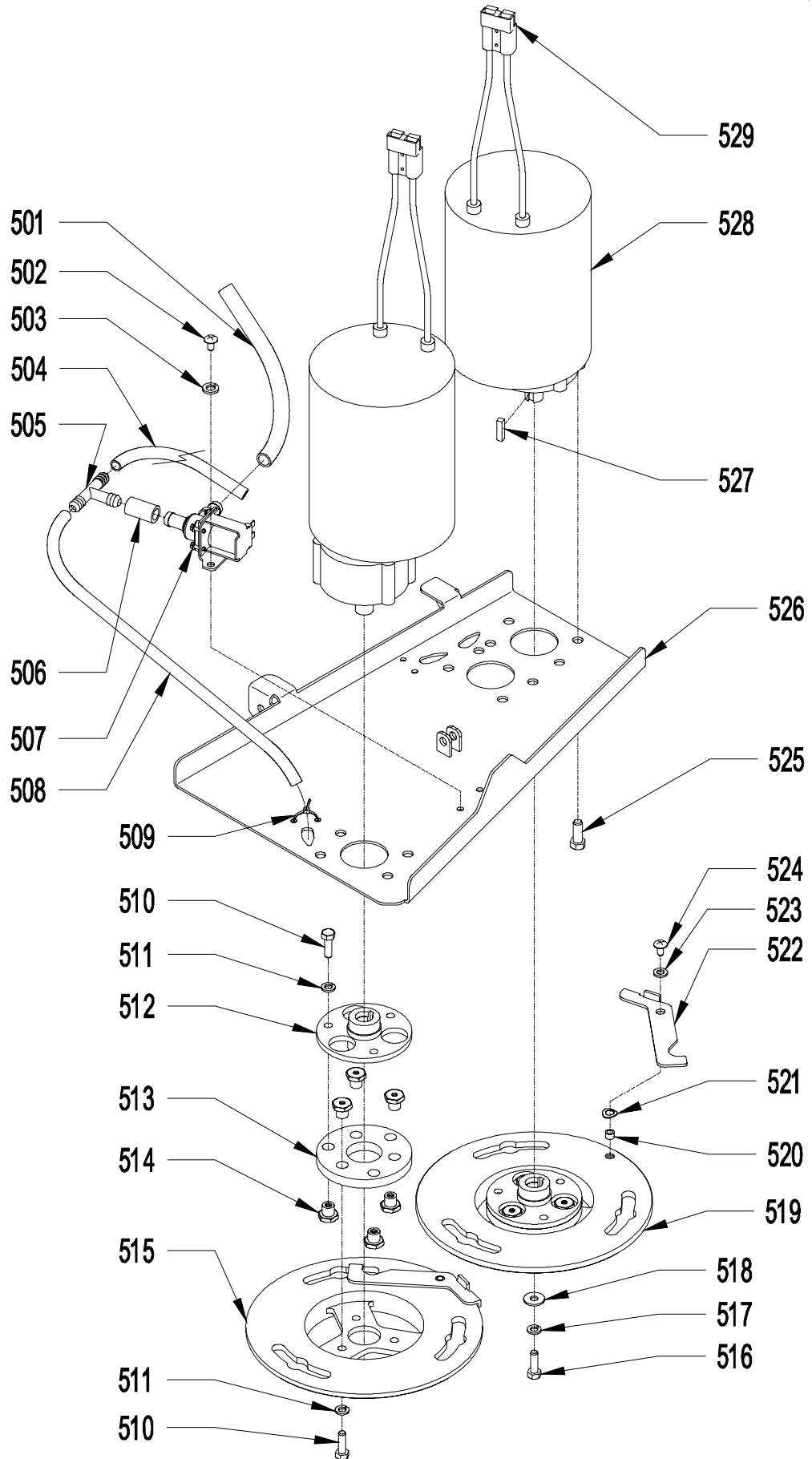
ITEM	PART NO.	DESCRIPTION
466	9120090	6-32 X 7/8 PAN HEAD PHILLIPS MACHINE SCREW
467	7690541	BRUSH/SQUEEGEEACTUATOR MOTOR

QTY.
2
1

BRUSH MOTOR ASSEMBLY

ITEM	PART NO.	DESCRIPTION	QTY.
501	8791180	1/2 X 3/4 VINYL TUBING [28" LONG]	1
502	9121090	1/4-20 X 1/2 TRUSS HEAD PHILLIPS MACHINE SCREW	2
503	9120880	1/4 SPLIT LOCK WASHER	2
504	8791070	VINYL HOSE, 3/8" I.D. X 1/2" O.D. [11" FOR WRANGLER 3330 & 9.5" FOR WRANGLER 2730]	1
505	7691371	TEE 3/8" X 3/8" X 1/2"	1
506	8791180	1/2 X 3/4 VINYL TUBING [2" LONG]	1
507	7690521	SOLUTION SOLENOID VALVE	1
508	8791070	VINYL HOSE, 3/8" I.D. X 1/2" O.D. [7.5" LONG]	1
509	9123005	1/8" X 11" WIRE TIE	2
515	2699059	RIGHT DRIVE CASTING ASSEMBLY - INCLUDES:	1
	2698072	DRIVE CASTING	1
510	9121680	5/16-18 X 1 HEX BOLT	6
511	9121520	5/16 SPLIT LOCK WASHER	6
512	2698052	DRIVE HUB	1
513	2698061	RUBBER MOUNT	1
514	2698081	DRIVE LUG	6
520	2791281	BUSHING SPACER	1
521	9122120	3/8 I.D. X 5/8 O.D. X .031 THICK 1 WAVE SPRING WASHER (3/8)	1
522	2790211	BRUSH PLATE LATCH	1
523	9121390	11/32 I.D. X 11/16 O.D. X .051/.080 THICK SAE FLAT WASHER (5/16)	2
524	9121090	1/4-20 X 1/2 TRUSS HEAD PHILLIPS MACHINE SCREW	1
516	9121680	5/16-18 X 1 HEX BOLT	2
517	9121520	5/16 SPLIT LOCK WASHER	2
518	9121985	13/32 I.D. X 1 O.D. X .12 THICK FLAT WASHER (11 GAGE)	2
519	2699069	LEFT DRIVE CASTING ASSEMBLY - INCLUDES:	1
	2698072	DRIVE CASTING	1
510	9121680	5/16-18 X 1 HEX BOLT	6
511	9120520	5/16 SPLIT LOCK WASHER	6
512	2698052	DRIVE HUB	1
513	2698061	RUBBER MOUNT	1
514	2698081	DRIVE LUG	6
520	2791281	BUSHING SPACER	1
521	9122120	3/8 I.D. X 5/8 O.D. X .031 THICK 1 WAVE SPRING WASHER (3/8)	1
522	2790211	BRUSH PLATE LATCH	1
523	9121390	11/32 I.D. X 11/16 O.D. X .051/.080 THICK SAE FLAT WASHER (5/16)	2
524	9121090	1/4-20 X 1/2 TRUSS HEAD PHILLIPS MACHINE SCREW	1
525	9122200	3/8-16 X 3/4 HEX BOLT	8
526	3392233	BRUSH DECK	1
527	2792681	1/4" X 1/4" X 1" MOTOR KEY	2
528	2699179	BRUSH GEAR MOTOR ASSEMBLY - INCLUDES:	2
	3390771	BRUSH GEAR MOTOR	2
	3391081	CARBON BRUSH (REPLACEMENT PART)	4
529	2690471	ANDERSON CONNECTOR - ONLY [GREY]	2
	4490721	CONTACT PINS - ANDERSON [10-12 GAGE]	4

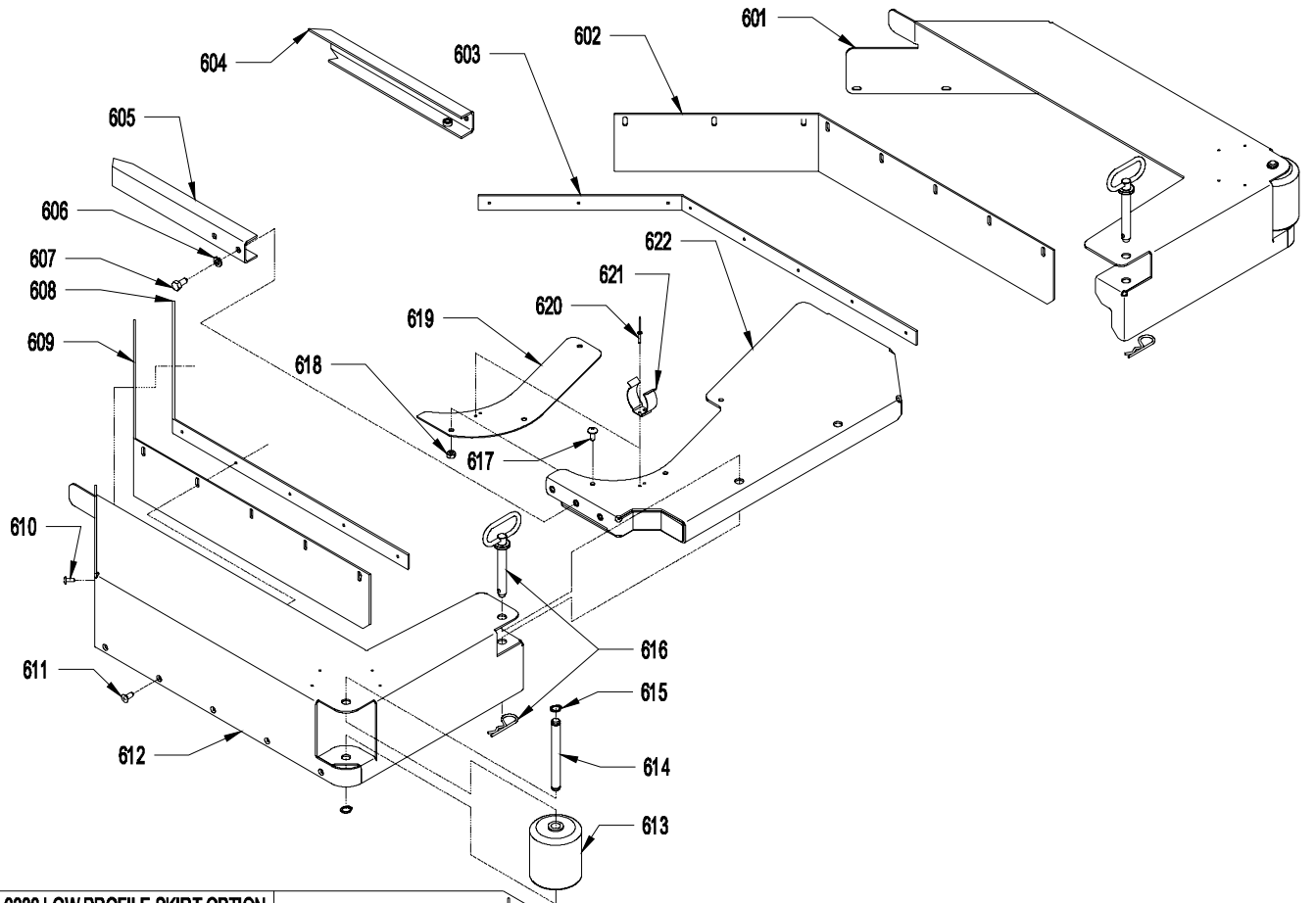
BRUSH MOTOR ASSEMBLY



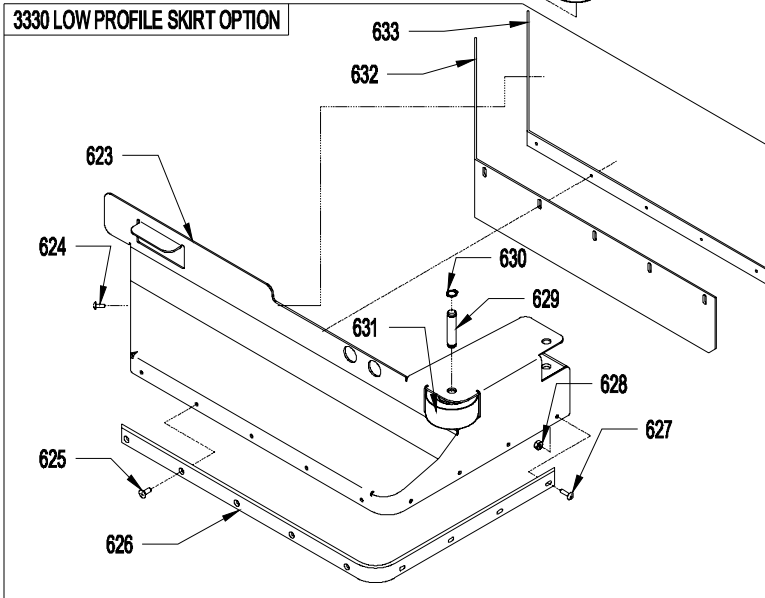
SKIRT ASSEMBLY

<u>ITEM</u>	<u>PART NO.</u>	<u>DESCRIPTION</u>	<u>QTY.</u>
<i>SIDE SKIRT ASSEMBLIES INCLUDE THE FOLLOWING PARTS:</i>			
610	9120500	10-24 X 3/8 TRUSS HEAD PHILLIPS MACHINE SCREW (Pack of 10)	1
611	9120540	10-24 X 1/2 FLAT HEAD PHILLIPS MACHINE SCREW (Pack of 10)	1
613	3392551	BUMPER WHEEL	1
614	3392541	CASTER MOUNT / BUMPER WHEEL PIN	1
615	5091701	RETAINING RING	2
616	2691491	PIN, SKIRT - WITH HAIRPIN	1
601	3392709	LEFT SIDE SKIRT ASSEMBLY [WRANGLER 2730] Also Includes:	1
	3392323	LEFT SIDE SKIRT [WRANGLER 2730]	1
602	3392331	LEFT WIPER [WRANGLER 2730]	1
603	3392341	LEFT WIPER STRAP [WRANGLER 2730]	1
601	3392739	LEFT SIDE SKIRT ASSEMBLY [WRANGLER 3330] Also Includes:	1
	3392423	LEFT SIDE SKIRT [WRANGLER 3330]	1
602	3392431	WIPER [WRANGLER 3330 - RIGHT AND LEFT SIDE]	1
603	3392441	WIPER STRAP [WRANGLER 3330 - RIGHT AND LEFT SIDE]	1
612	3392719	RIGHT SIDE SKIRT ASSEMBLY [WRANGLER 2730] Also Includes:	1
	3392353	RIGHT SIDE SKIRT [WRANGLER 2730]	1
608	3392371	RIGHT WIPER STRAP [WRANGLER 2730]	1
609	3392361	RIGHT WIPER [WRANGLER 2730]	1
612	3392749	RIGHT SIDE SKIRT ASSEMBLY [WRANGLER 3330] Also Includes:	1
	3392453	RIGHT SIDE SKIRT [WRANGLER 3330]	1
608	3392441	WIPER STRAP [WRANGLER 3330 - RIGHT AND LEFT SIDE]	1
609	3392431	WIPER [WRANGLER 3330 - RIGHT AND LEFT SIDE]	1
604	3393033	FRAME CHANNEL, LEFT SIDE	1
605	3393023	FRAME CHANNEL, RIGHT SIDE	1
606	9121520	5/16 SPLIT LOCK WASHER (Pack of 10)	1
607	9121600	5/16-18 X 5/8 HEX BOLT (Pack of 5)	1
617	9121000	1/4-20 X 5/8 TRUSS HD. PHILLIPS SCREW [WRANGLER 3330 ONLY] (Pack of 5)	1
618	9120900	1/4-20 HEX NUT WITH NY-LOK INSERT [WRANGLER 3330 ONLY] (Pack of 10)	1
619	3392921	BUMPER EXTENSION [WRANGLER 3330 ONLY]	1
620	2391751	POP RIVET 1/8" x 5/8"	2
621	2392131	SPRING CLIP, HOSE	1
622	3392393	BUMPER / SKIRT MOUNT	1
623	3392759	LOW PROFILE SKIRT ASSEMBLY [WRANGLER 3330]	1
	3392483	RIGHT LOW PROFILE SKIRT	1
624	9120500	10-24 X 3/8 TRUSS HEAD PHILLIPS MACHINE SCREW (Pack of 10)	1
625	9120550	10-24 X 5/8 FLAT HEAD PHILLIPS MACHINE SCREW (Pack of 10)	1
626	3392471	BUMPER, LOW PROFILE SKIRT [WRANGLER 3330]	1
627	9120510	10-24 X 1/2 TRUSS HEAD PHILLIPS MACHINE SCREW (Pack of 10)	1
628	9120350	10-24 HEX NUT WITH NY-LOK INSERT (Pack of 10)	1
629	2490311	AXLE, BUMPER WHEEL	1
630	5091701	RETAINING RING	2
631	2790281	3" BUMPER WHEEL	1
632	3392431	WIPER [WRANGLER 3330 - RIGHT AND LEFT SIDE]	1
633	3392441	WIPER STRAP [WRANGLER 3330 - RIGHT AND LEFT SIDE]	1
	3392809	HIGH-ROLLER KIT [WRANGLER 3330 OPTION 1 PER SKIRT]	
634	3392773	BRACKET ROLLER PIN [1 PER SKIRT - OPTIONAL]	1
635	5091701	RETAINING RING	2
636	9121600	5/16-18 X 5/8 HEX BOLT (Pack of 5)	1
637	9121520	5/16 SPLIT LOCK WASHER (Pack of 10)	1
638	9121420	5/16-18 HEX NUT (Pack of 10)	1
639	2691151	SKIRT, BUMPER WHEEL	1
640	3392651	BUMPER AXLE	1

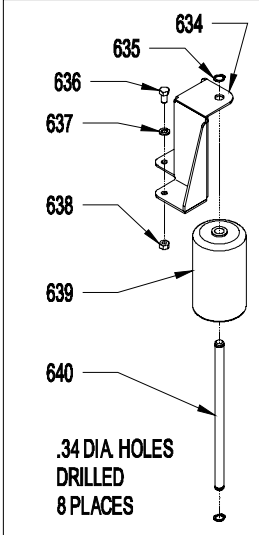
SKIRT ASSEMBLY



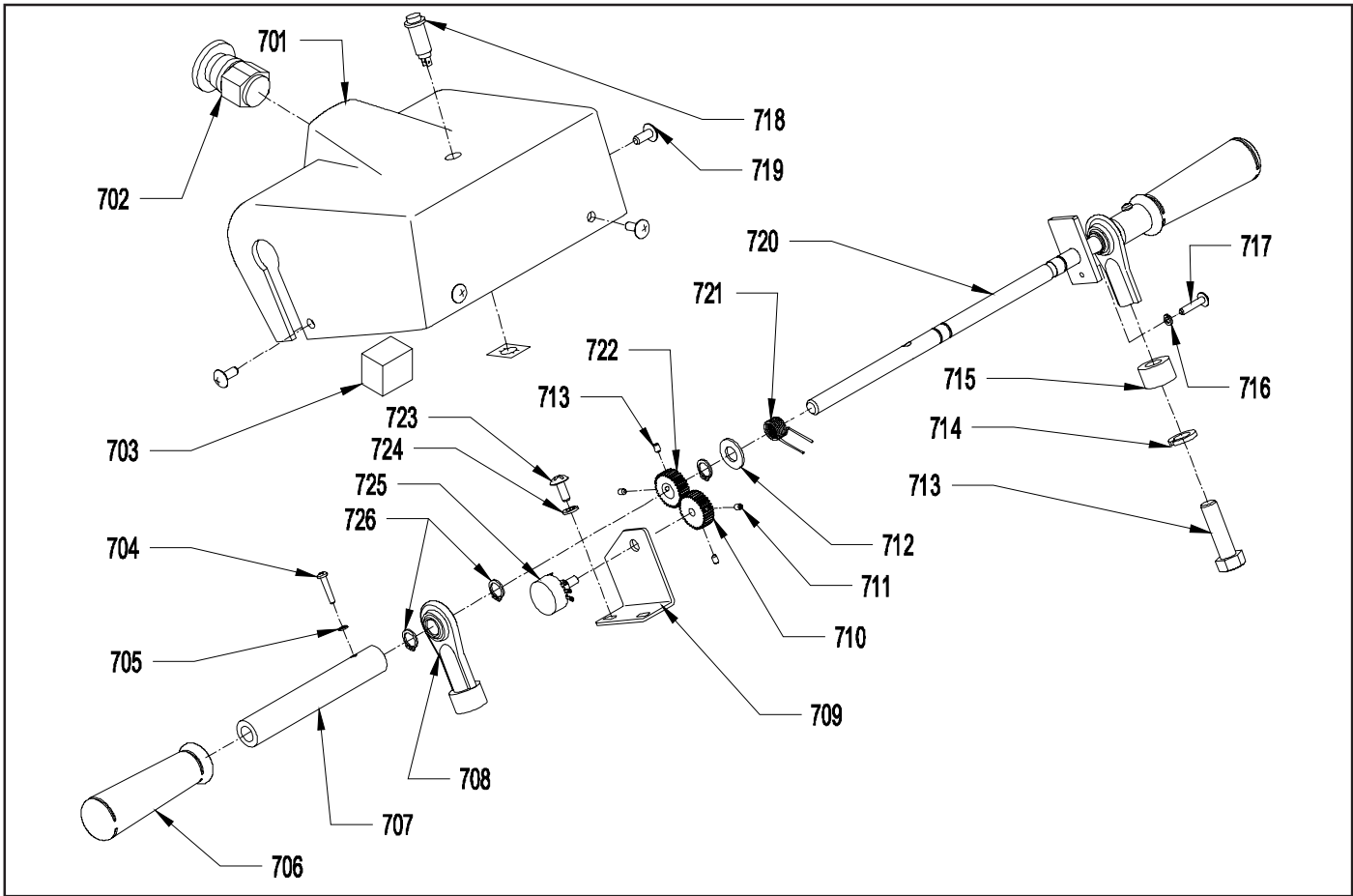
3330 LOW PROFILE SKIRT OPTION



3330 HIGH-ROLLER OPTION



HANDLE BAR & COVER ASSEMBLY

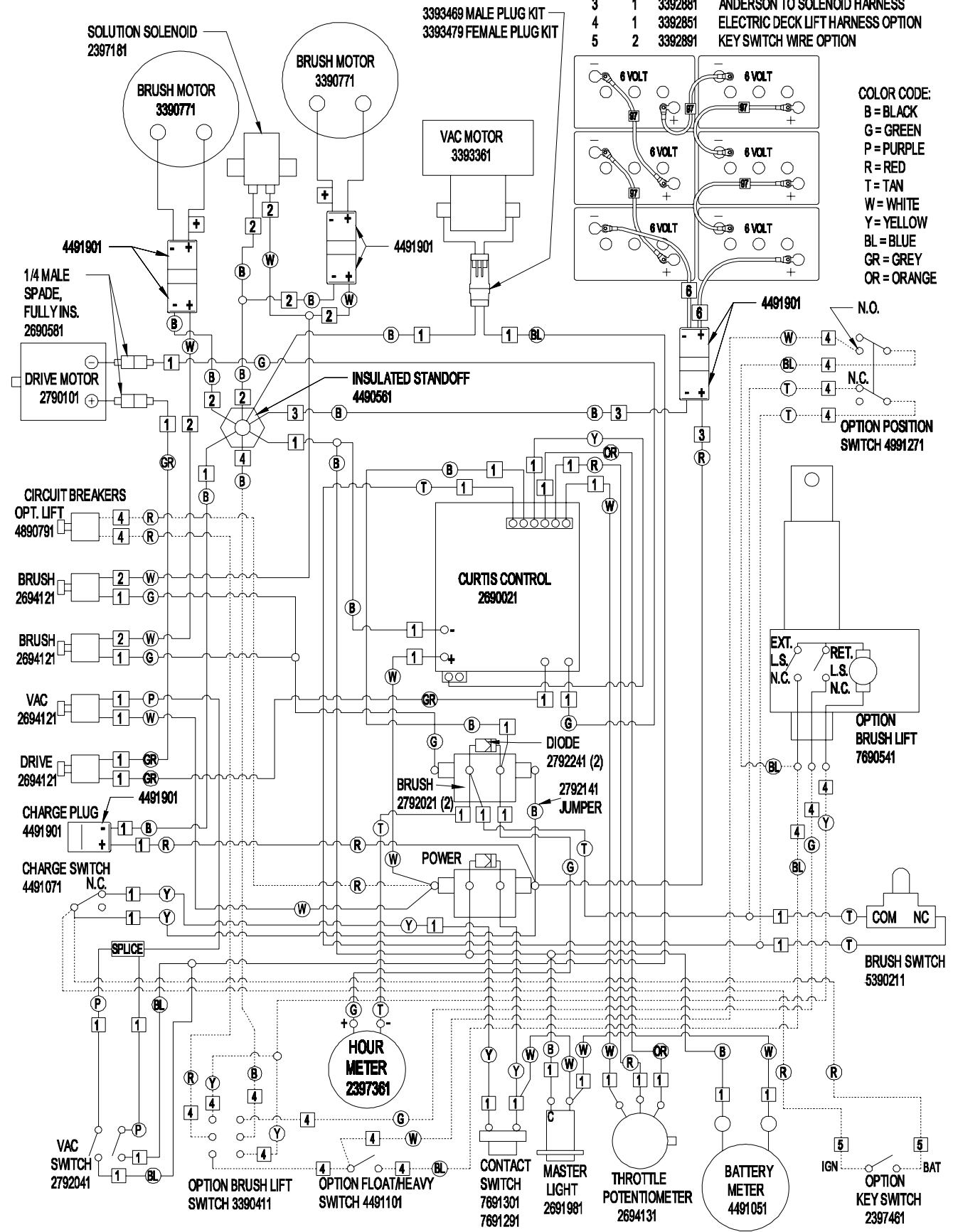


<u>ITEM</u>	<u>PART NO.</u>	<u>DESCRIPTION</u>	<u>QTY.</u>
701	3392021	HANDLE COVER	1
702	7691291	EMERGENCY STOP	1
703	7691301	EMERGENCY STOP BLOCK	1
704	9120270	8-32 X 7/8 ROUND HEAD PHILLIPS MACHINE SCREW	2
705	9120200	#8 SPLIT LOCK WASHER	2
706	3392901	HANDLE GRIP	2
707	2691871	HANDLE GRIP BASE	2
708	2391941	1/2-20 FEMALE ROD END - BALL JOINT	2
709	3393141	ADJUSTABLE BRACKET, TORSION SPRING	1
710	2691941	DRIVEN GEAR, POTENTIOMETER - INCLUDES:	1
711	9120170	8-32 X 3/16 SET SCREW - KNURL POINT - STEEL	2
712	9122450	17/32 I.D. X 1 1/16 O.D. X .074/.121 THICK SAE FLAT WASHER (1/2)	1
713	9122710	1/2-20 X 1 3/4 HEX BOLT	2
714	9122420	1/2 SPLIT LOCK WASHER	2
715	2691891	HANDLE BAR SPACER	2
716	9120320	#10 SPLIT LOCK WASHER	1
717	9120530	10-24 X 7/8 TRUSS HEAD PHILLIPS MACHINE SCREW	1
718	2691981	LIGHT-INDICATOR, GREEN 36V WITH CLIP	1
719	9120990	1/4-20 X 3/8 TRUSS HEAD PHILLIPS MACHINE SCREW	4
720	3392691	HANDLE BAR	1
721	3392661	TORSION SPRING	1
722	2691931	DRIVEN GEAR, HANDLE BAR - INCLUDES:	1
711	9120170	8-32 X 3/16 SET SCREW - KNURL POINT - STEEL	2
723	9120990	1/4-20 X 3/8 TRUSS HEAD PHILLIPS MACHINE SCREW	2
724	9120970	1/4 EXTERNAL STAR LOCK WASHER	2
725	2694131	POTENTIOMETER, CURTIS SPEED CONTROL	1
726	5091701	RETAINING RING	3

WIRING DIAGRAM

ITEM#	QTY	PART #	DESCRIPTION
1	1	3392831	REAR PANEL HARNESS
2	1	3392841	MACHINE HARNESS
3	1	3392881	ANDERSON TO SOLENOID HARNESS
4	1	3392851	ELECTRIC DECK LIFT HARNESS OPTION
5	2	3392891	KEY SWITCH WIRE OPTION

COLOR CODE:
 B = BLACK
 G = GREEN
 P = PURPLE
 R = RED
 T = TAN
 W = WHITE
 Y = YELLOW
 BL = BLUE
 GR = GREY
 OR = ORANGE



3393469 MALE PLUG KIT
 3393479 FEMALE PLUG KIT

1/4 MALE
 SPADE,
 FULLY INS.
 2690581

VAC MOTOR
 3393361

DRIVE MOTOR
 2790101

INSULATED STANDOFF
 4490561

CURTIS CONTROL
 2690021

CIRCUIT BREAKERS
 OPT. LIFT
 4890791

BRUSH
 2694121

BRUSH
 2694121

VAC
 2694121

DRIVE
 2694121

CHARGE PLUG
 4491901

CHARGE SWITCH
 N.C.
 4491071

SPLICE

HOUR
 METER
 2397361

CONTACT
 SWITCH
 7691301
 7691291

MASTER
 LIGHT
 2691981

THROTTLE
 POTENTIOMETER
 2694131

BATTERY
 METER
 4491051

OPTION BRUSH LIFT
 SWITCH 3390411

OPTION FLOAT/HEAVY
 SWITCH 4491101

EXT.
 L.S.
 N.C.
 RET.
 L.S.
 N.C.
 OPTION
 BRUSH LIFT
 7690541

BRUSH SWITCH
 5390211

IGN
 OPTION
 KEY SWITCH
 2397461

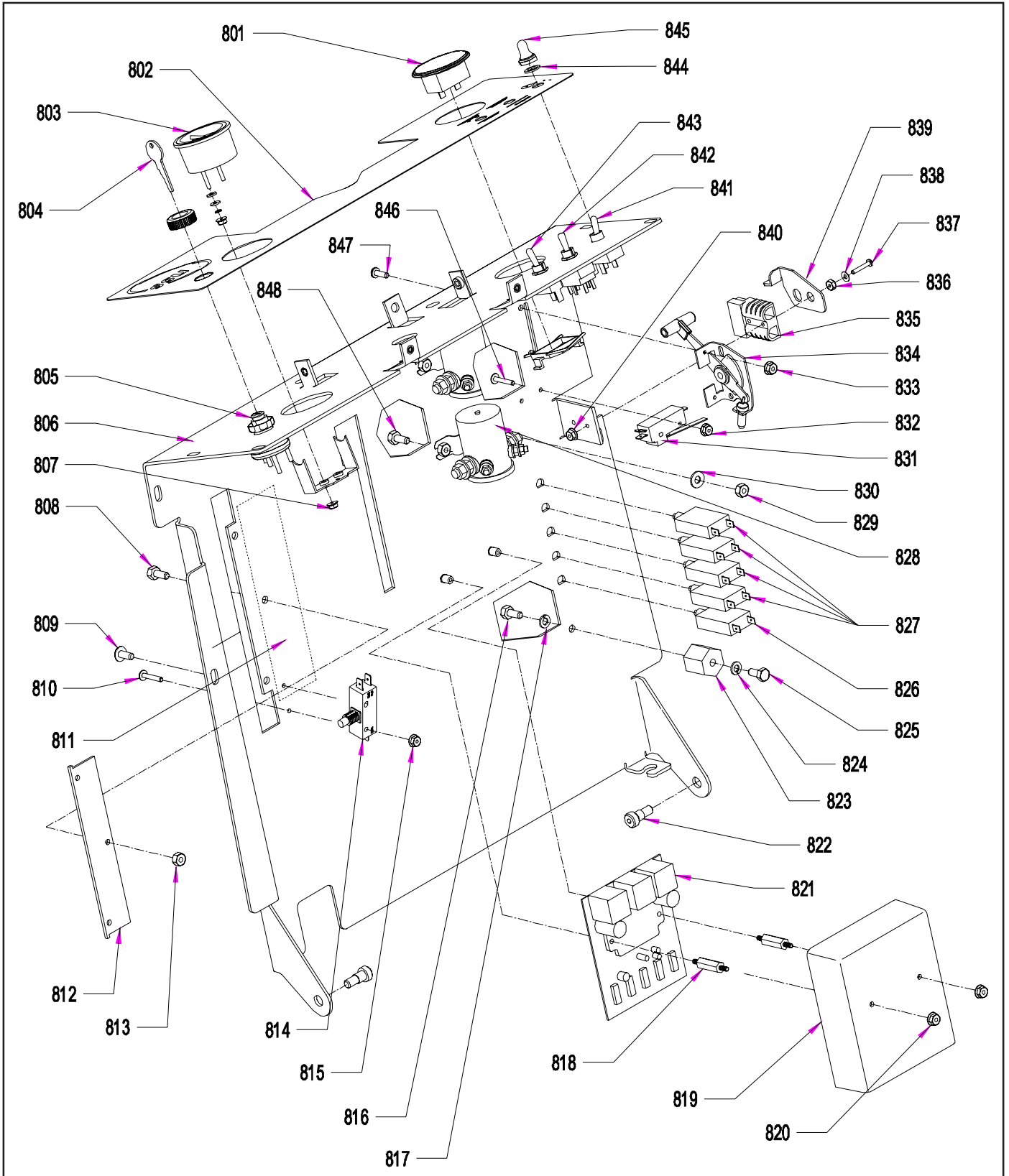
N.O.
 N.C.
 OPTION POSITION
 SWITCH 4891271

COM NC

REAR PANEL ASSEMBLY

ITEM	PART NO.	DESCRIPTION	QTY.
801	2397361	HOUR METER	1
802	3392821	CONTROL PLATE	1
803	4491051	BATTERY METER WITH HARDWARE	1
804	2397471	REPLACEMENT KEY - OPTIONAL	1
	3393239	KEY SWITCH KIT INCLUDES:	1
805	2397461	KEY SWITCH WITH KEY - OPTIONAL	1
	3393181	KEY SWITCH KIT INSTRUCTIONS	1
	3392891	WIRE ASSEMBLY, KEY SWITCH OPTION	1
806	3393433	REAR PANEL	1
807	9120020	6-32 HEX NUT WITH STAR LOCK WASHER	2
808	9121210	1/4-20 X 5/8 HEX BOLT	3
809	9121000	1/4-20 X 5/8 TRUSS HEAD PHILLIPS MACHINE SCREW	8
810	9120110	6-32 X 1 1/8 PAN HEAD PHILLIPS MACHINE SCREW	2
811	3392861	DECAL KIT - REAR PANEL	1
812	3392281	BRUSH HANDLE LOCK PLATE	1
813	9120900	1/4-20 HEX NUT WITH NY-LOK INSERT	3
814	5390211	SNAP SWITCH	1
815	9120020	6-32 HEX NUT WITH STAR LOCK WASHER	2
816	9121170	1/4-20 X 1/2 HEX BOLT	1
817	9120880	1/4 SPLIT LOCK WASHER	1
818	2694031	STANDOFF, SPEED CONTROL COVER	2
819	2694021	COVER, SPEED CONTROL	1
820	9120190	8-32 HEX NUT WITH STAR LOCK WASHER	2
821	2690021	SPEED CONTROL, CURTIS	1
822	9122020	3/8 X 3/8 SOCKET HEAD SHOULDER BOLT (5/16-18)	2
823	4490561	INSULATED STANDOFF	1
824	9120880	1/4 SPLIT LOCK WASHER	1
825	9121210	1/4-20 X 5/8 HEX BOLT	1
826	4890791	CIRCUIT BREAKER	1
827	2694121	CIRCUIT BREAKER 25 AMP	4
828	2792021	CONTACTOR, SOLENOID	2
829	9120900	1/4-20 HEX NUT WITH NY-LOK INSERT	4
830	9120930	9/32 I.D. X 5/8 O.D. X .051/.080 THICK SAE FLAT WASHER (1/4)	4
831	4491071	SNAP SWITCH	1
832	9120020	6-32 HEX NUT WITH STAR LOCK WASHER	2
833	9120360	10-24 HEX NUT WITH STAR LOCK WASHER	2
834	7691051	SOLUTION LEVER AND CABLE ASSEMBLY	1
835	3392831	WIRE HARNESS REAR PANEL - INCLUDES:	1
	2690471	ANDERSON CONNECTOR ONLY -GREY	1
	4491901	CHARGER PLUG, GREY, 36V, WITH CON. PINS	1
836	9120020	6-32 HEX NUT WITH STAR LOCK WASHER	2
837	9120110	6-32 X 1 1/8 PAN HEAD PHILLIPS MACHINE SCREW	2
838	9120370	7/32 I.D. X 1/2 O.D. X .032/.065 THICK SAE FLAT WASHER (#10)	2
839	3392871	COVER, CHARGE PLUG	1
840	9120020	6-32 HEX NUT WITH STAR LOCK WASHER	2
841	2792041	SWITCH, TOGGLE VAC	1
842	3390411	SWITCH, BRUSH DECK UP AND DOWN - OPTIONAL	1
843	4491101	SWITCH, BRUSH DECK LIGHT AND HEAVY - OPTIONAL	1
844	0691851	1/2 INTERNAL STAR LOCK WASHER	3
845	0693141	RUBBER SWITCH BOOT	3
846	9120110	6-32 X 1 1/8 PAN HEAD PHILLIPS MACHINE SCREW	2
847	9120420	10-24 X 5/8 ROUND HEAD PHILLIPS MACHINE SCREW	2
848	9121210	1/4-20 X 5/8 HEX BOLT	4

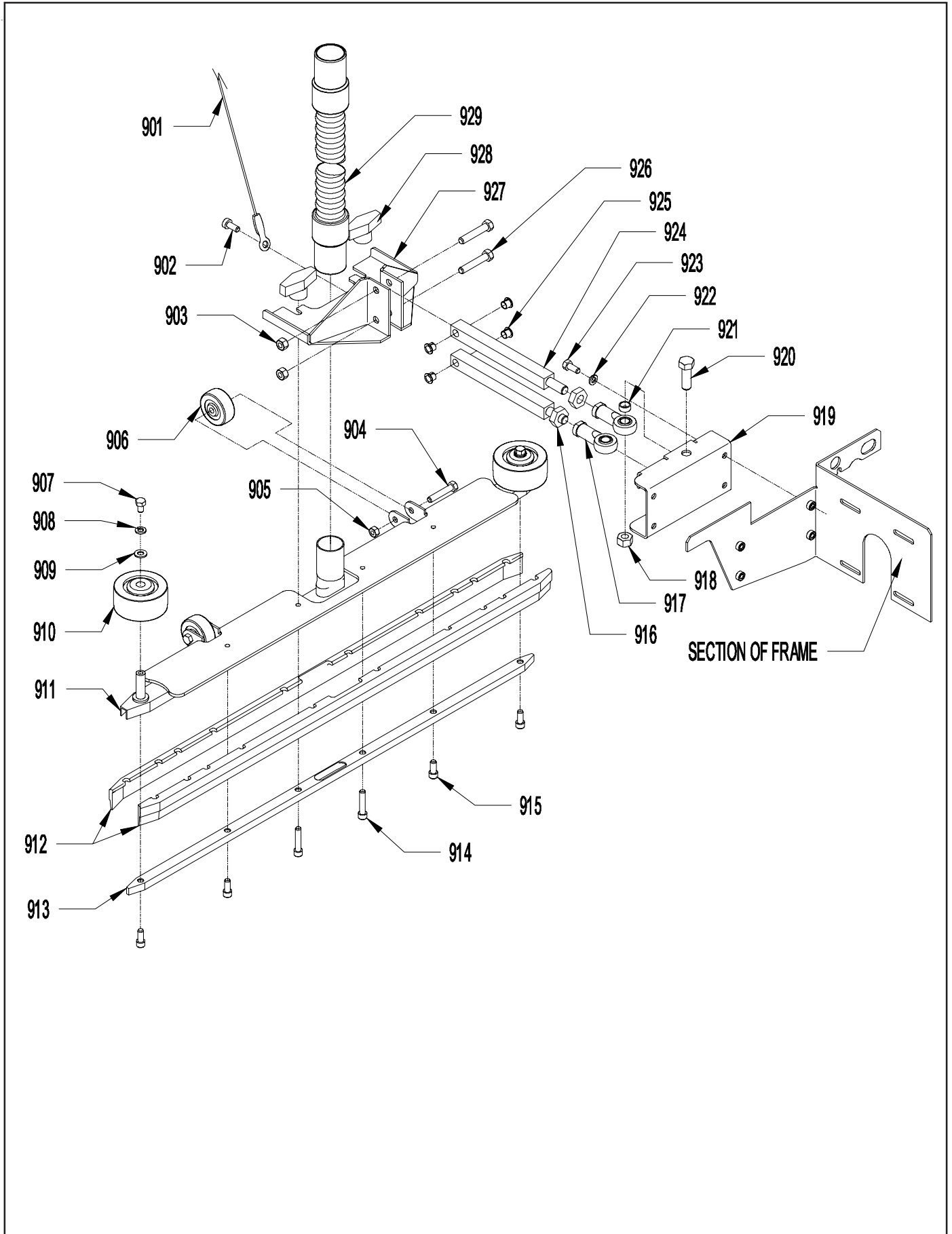
REAR PANEL ASSEMBLY



STRAIGHT SQUEEGEE ASSEMBLY

ITEM	PART NO.	DESCRIPTION	QTY.
		<i>SQUEEGEE ASSEMBLIES INCLUDE THE FOLLOWING PARTS:</i>	
904	9121720	5/16-18 X 1 1/4 FULL THREADED HEX BOLT	2
905	9121450	5/16-18 HEX NUT WITH NY-LOK INSERT	2
906	3096741	WHEEL, BUMPER-SMALL GRAY	2
907	9121560	5/16-18 X 1/2 HEX BOLT	2
908	9121410	5/16 EXTERNAL STAR LOCK WASHER	2
909	9121390	11/32 I.D. X 11/16 O.D. X .051/.080 THICK SAE FLAT WASHER (5/16)	2
910	2790281	3" BUMPER WHEEL	2
914	9121920	5/16-18 X 1 1/2 SOCKET HEAD CAP SCREW	2
915	9121880	5/16-18 X 3/4 SOCKET HEAD CAP SCREW	4
928	2791002	KNOB, SQUEEGEE	2
911	2692539	SQUEEGEE ASSEMBLY NARROW MOUNT [WRANGLER 2730] Also includes:	1
	2692523	HOUSING NARROW MOUNT SQUEEGEE [WRANGLER 2730]	1
912	2791061	32" REPLACEMENT SQUEEGEE BLADES SET OF 2 [WRANGLER 2730]	1
913	2692533	INNER CHANNEL [WRANGLER 2730]	1
911	2693539	SQUEEGEE ASSEMBLY NARROW MOUNT [WRANGLER 3330] Also includes:	1
	2693523	HOUSING NARROW MOUNT SQUEEGEE [WRANGLER 3330]	1
912	3390261	38" REPLACEMENT SQUEEGEE BLADES SET OF 2 [WRANGLER 3330]	1
913	2693533	INNER CHANNEL [WRANGLER 3330]	1
901	3392141	SQUEEGEE LIFT CABLE	1
902	9121505	5/16 X 1/8 (1/4-20) SOCKET HEAD SHOULDER BOLT	1
903	9122140	3/8-16 HEX NUT WITH NY-LOK INSERT	2
916	9122670	1/2-20 HEX JAM NUT	2
917	2391941	BALL JOINT	2
918	9122495	1/2-13 THIN HEX NUT WITH NY-LOK INSERT	2
919	3392131	SQUEEGEE MOUNT BRACKET	1
920	9122550	1/2-13 X 1 1/2 HEX BOLT	2
921	2391461	BUSHING - LIFT LEVER	2
922	9121520	5/16 SPLIT LOCK WASHER	4
923	9121640	5/16-18 X 3/4 HEX BOLT	4
924	3392161	SQUEEGEE PIVOT ROD	2
925	1391171	3/8 FLANGE NYLINER	4
926	9122340	3/8-16 X 2 HEX BOLT	2
927	3392151	SQUEEGEE MOUNT BRACKET	1
928	3393071	T - KNOB	2
929	2690591	SQUEEGEE VAC HOSE WITH CUFFS	1

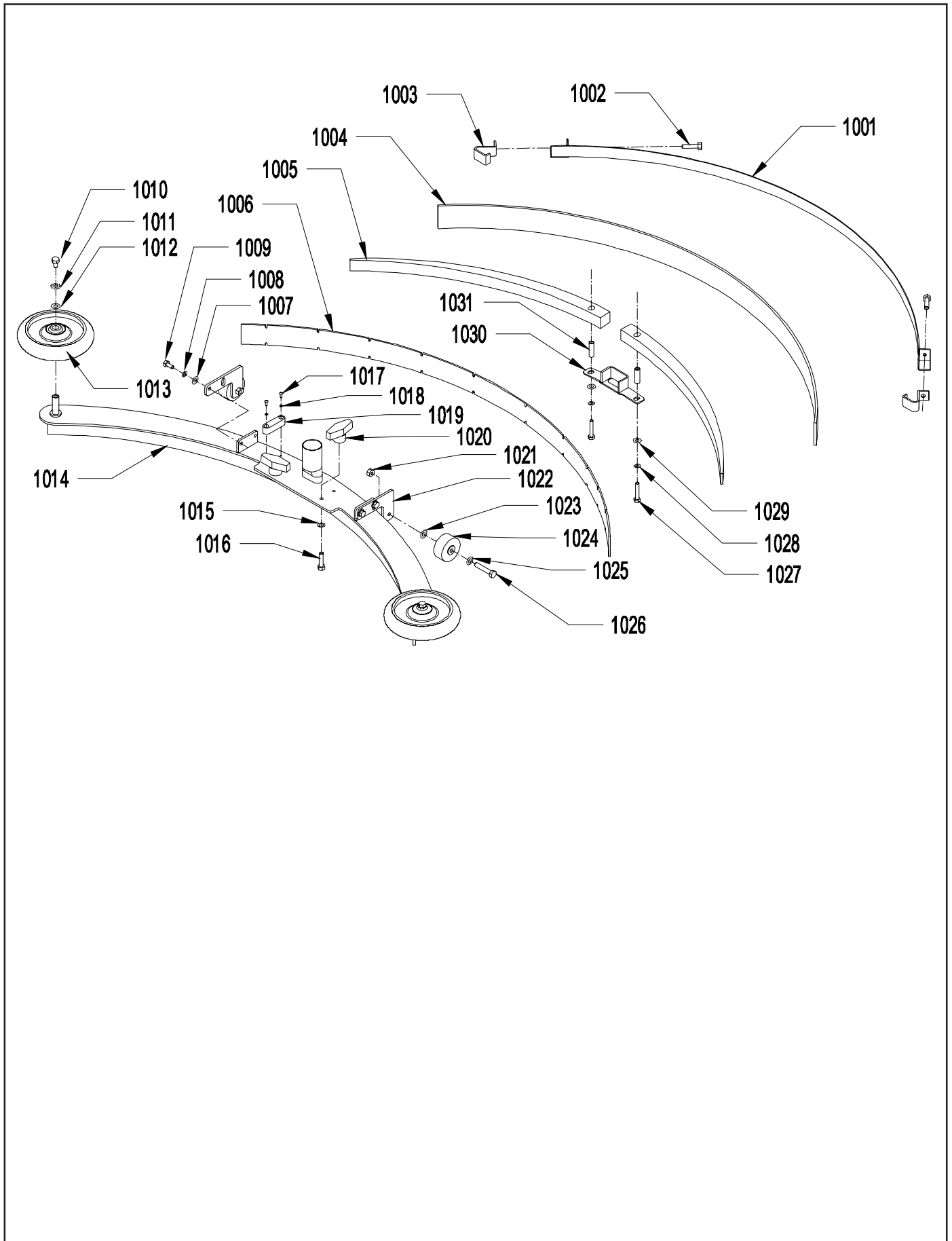
STRAIGHT SQUEEGEE ASSEMBLY



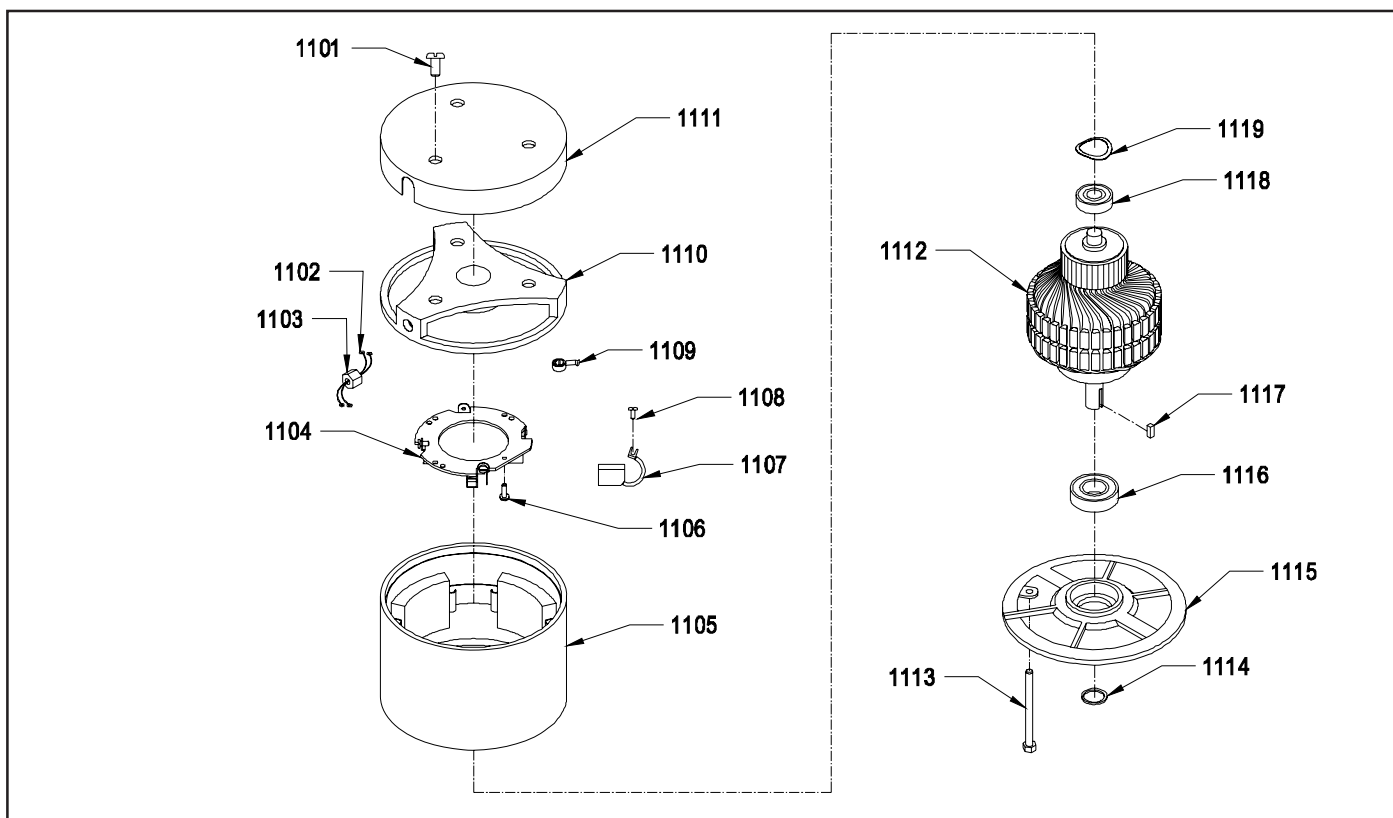
CURVED SQUEEGEE ASSEMBLY

ITEM	PART NO.	DESCRIPTION	QTY.
<i>SQUEEGEE ASSEMBLIES INCLUDE THE FOLLOWING PARTS:</i>			
1002	9121720	5/16-18 X 1 1/4 FULL THREADED HEX BOLT	2
1003	2492561	HOOKEED END	2
1007	9120930	9/32 I.D. X 5/8 O.D. X .051/.080 THICK SAE FLAT WASHER (1/4)	4
1008	9120880	1/4 SPLIT LOCK WASHER	4
1009	9121210	1/4-20 X 5/8 HEX BOLT	4
1010	9121560	5/16-18 X 1/2 HEX BOLT	2
1011	9121410	5/16 EXTERNAL STAR LOCK WASHER	2
1012	9121390	11/32 I.D. X 11/16 O.D. X .051/.080 THICK SAE FLAT WASHER (5/16)	2
1013	3392991	SQUEEGEE BUMPER WHEEL - 6" O.D.	2
1015	9121520	5/16 SPLIT LOCK WASHER	2
1016	9121720	5/16-18 X 1 1/4 FULL THREADED HEX BOLT	2
1017	9120070	6-32 X 3/8 ROUND HEAD PHILLIPS MACHINE SCREW	2
1018	9120030	#6 SPLIT LOCK WASHER	2
1019	2492581	SQUEEGEE LEVEL	1
1020	3393071	T - KNOB	2
1021	9121450	5/16-18 HEX NUT WITH NY-LOK INSERT	2
1022	2492571	DOLLY WHEEL MOUNTING BRACKET	2
1023	9121390	11/32 I.D. X 11/16 O.D. X .051/.080 THICK SAE FLAT WASHER (5/16)	2
1024	3092674	WHEEL, BUMPER-SMALL GRAY	2
1025	9121390	11/32 I.D. X 11/16 O.D. X .051/.080 THICK SAE FLAT WASHER (5/16)	2
1026	9121760	5/16-18 X 1 3/4 HEX BOLT	2
1027	9121280	1/4-20 X 1 1/2 HEX BOLT	2
1028	9120880	1/4 SPLIT LOCK WASHER	2
1029	9120930	9/32 I.D. X 5/8 O.D. X .051/.080 THICK SAE FLAT WASHER (1/4)	2
1030	2492541	CENTER HOLD DOWN	1
1031	2492591	CENTER HOLD DOWN SPACER	2
1001	3392959	CURVED SQUEEGEE ASSEMBLY BIG WHEELS [WRANGLER 2730] Also includes:	1
	2692841	REAR SECURING STRAP [WRANGLER 2730]	1
1004	2692831	REAR BLADE [WRANGLER 2730]	1
1005	2692811	CENTER WEDGE [WRANGLER 2730]	2
1006	2692821	FRONT BLADE [WRANGLER 2730]	1
1014	3392963	CURVED SQUEEGEE HOUSING [WRANGLER 2730]	1
1001	3392979	CURVED SQUEEGEE ASSEMBLY BIG WHEELS [WRANGLER 3330] Also includes:	1
	2693841	REAR SECURING STRAP [WRANGLER 3330]	1
1004	2693831	REAR BLADE [WRANGLER 3330]	1
1005	2693811	CENTER WEDGE [WRANGLER 3330]	2
1006	2693821	FRONT BLADE [WRANGLER 3330]	1
1014	3392983	CURVED SQUEEGEE HOUSING [WRANGLER 3330]	1

CURVED SQUEEGEE ASSEMBLY

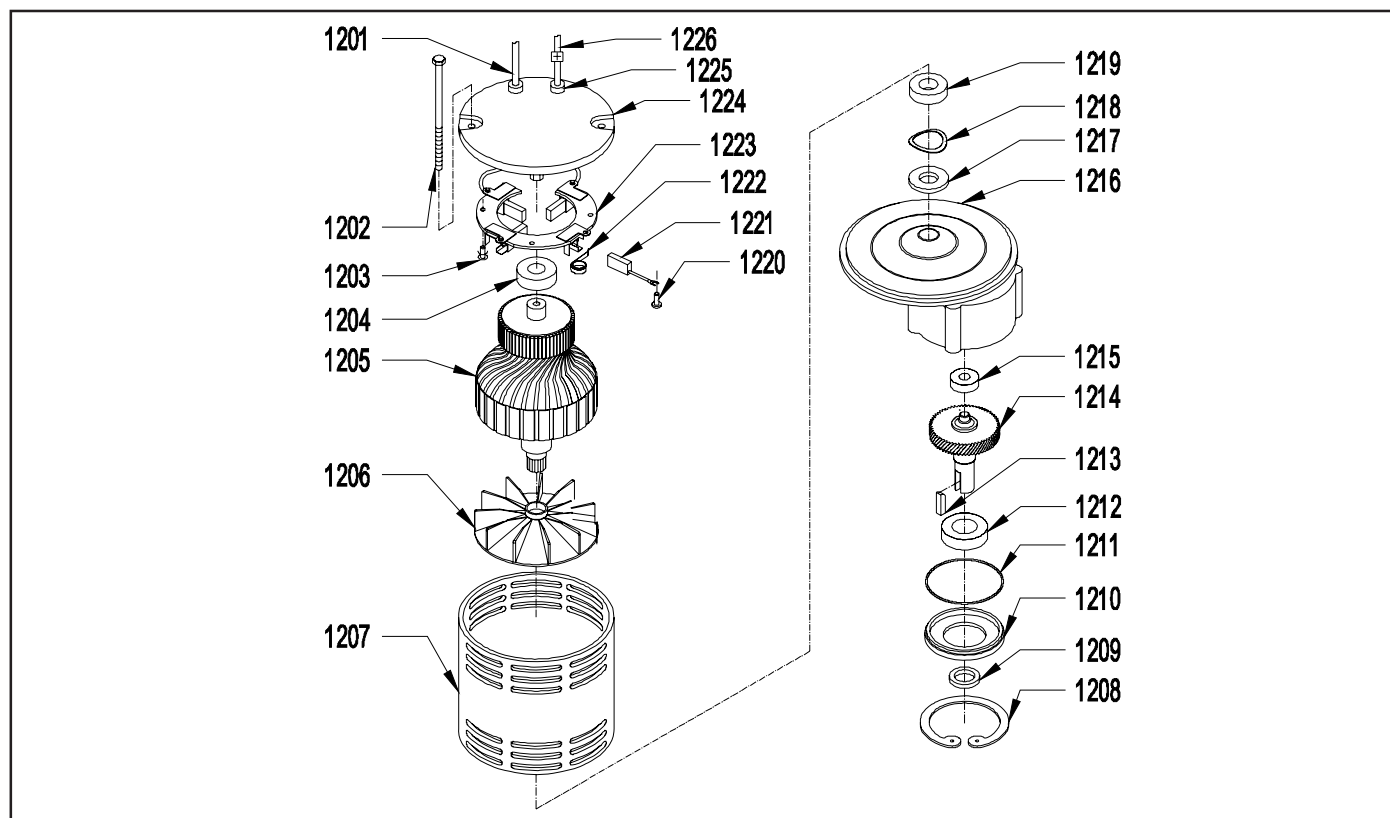


DRIVE MOTOR ASSEMBLY



<u>ITEM</u>	<u>PART NO.</u>	<u>DESCRIPTION</u>	<u>QTY</u>
	2790101	DRIVE MOTOR ASSEMBLY 36 VOLT Includes the following:	1
1101	-----	PAN HEAD SCREW	3
1102	2797581	LEAD ASSEMBLY (1 WIRE WITH TERMINALS)	2
1103	2797631	HEYCO STRAIN RELIEF	1
1105	2797651	STATOR FRAME ASSEMBLY WITH MAGNETS	1
1106	9120600	10-24 X 1/2 SELF TAPPING ROUND HEAD SCREW	3
1113	2797701	THRU BOLT	2
1114	2797731	SHAFT SEAL	1
1115	2797711	BOTTOM END BELL	1
1119	2797591	HELICAL WASHER	1
	2797691	BRUSH ASSEMBLY - CARBON BRUSH WITH LEAD AND TERMINAL	4
1110	2797671	TOP END BELL ASSEMBLY - INCLUDES:	1
1104	2797681	BRUSH BOARD ASSEMBLY - INCLUDES:	1
1108	-----	10-32 X 3/8 BRASS PAN HEAD SCREW	4
1107	2797691	CARBON BRUSH WITH LEAD AND TERMINAL	4
1109	2797571	BRUSH SPRING	4
1111	2797721	TOP COVER	1
1112	2797661	ARMATURE ASSEMBLY - INCLUDES:	1
1116	2790311	BEARING, BOTTOM END (SHAFT END)	1
1117	2792681	SHAFT KEY	1
1118	5092041	BEARING TOP END - COMMUTATOR END	1

BRUSH GEAR MOTOR ASSEMBLY



<u>ITEM</u>	<u>PART NO.</u>	<u>DESCRIPTION</u>	<u>QTY.</u>
	3390771	BRUSH GEAR MOTOR ASSEMBLY Includes the following:	1
1201	3391221	NEGATIVE LEAD	1
1202	3391201	THRU BOLT 1/4-20 X 7 3/4	2
1203	9120600	10-24 X 1/2 PAN HEAD PHILLIPS THREAD CUTTING SCREW	2
1205	3391031	ARMATURE ASSEMBLY - INCLUDES:	1
1206	3391191	ARMATURE VENT FAN	1
1204	5092041	TOP END BEARING	1
1219	3391051	BOTTOM END BEARING	1
1207	3391041	STATOR FRAME ASSEMBLY WITH MAGNETS	1
1216	3391181	GEAR BOX ASSEMBLY - INCLUDES:	1
	3391101	GEAR BOX - HOUSING ONLY	1
1208	3391171	SNAP RING	1
1209	3391161	OIL SEAL, SMALL	1
1210	3391151	END CAP	1
1211	3391141	"O" RING	1
1212	3391131	BOTTOM BEARING, LARGE	1
1213	2792681	MOTOR KEY, 1/4 X 1/4 X 1	1
1214	3391121	GEAR SHAFT	1
1215	3391111	TOP BEARING, SMALL	1
1217	3391091	OIL SEAL, LARGE	1
1218	2797591	HELICAL WASHER	1
1220	—	10-32 X 1/2 PAN HEAD SLOTTED SCREW, BRASS	4
1224	3391011	TOP END BELL ASSEMBLY INCLUDES:	1
	3391001	TOP END BELL ONLY	1
1223	3391021	BRUSH BOARD ASSEMBLY - INCLUDES:	1
1221	3391081	CARBON BRUSH - 120 VOLT	4
1222	2797571	CARBON BRUSH SPRING	4
1225	3391071	STRAIN RELIEF	2
1226	3391211	POSITIVE LEAD	1

ACCESSORIES



7692181

BATTERY ACCESSORIES

- 7692141 Auto Fill Battery System
- 7692181 Low Water Battery Alarm

PAD CUP

- 2795231 Split Retainer Ring Pad Cup



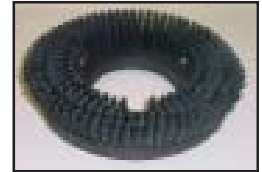
5990731



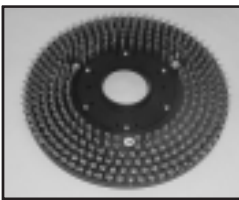
7692141

WRANGLER 2730

- 2792891 14" Polyblock Tuft Pad Driver
- 2792511 14" Polyblock Nylon Brush - Light to medium Scrubbing.
- 2792521 14" Polyblock Nylon Grit-Filled Brush - Heavy Concrete Scrubbing.
- 2792531 14" Polyblock Wire Brush.
- 2792901 14" Polyblock Scrub Grit Brush - Mild to Medium Scrubbing.



Scrub Brush



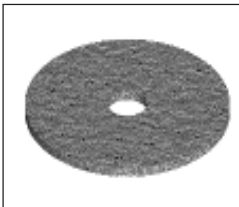
Pad Driver

WRANGLER 3330

- 3390891 17" Polyblock Tuft Pad Driver
- 3390511 17" Polyblock Nylon Brush - Light to Medium Scrubbing.
- 3390521 17" Polyblock Nylon Grit-Filled Brush - Heavy Concrete Scrubbing.
- 3390531 17" Polyblock Wire Scrub Brush.
- 3390901 17" Polyblock Scrub Grit Brush - Mild to Medium Scrubbing.



3393361 Vac Motor
7693851 Optional - Large Vac Motor



Pad

BURNISHING FLOOR PADS

For soft finishes: Use to scrub at low rpm's.

- 7991451 14" NSS Lite Blue Polish/Burnish Pad
- 7991751 17" NSS Lite Blue Polish/Burnish Pad

SCRUBBING FLOOR PADS

For all finishes: Characteristics of a Blue & Red pad. Remove scuff marks, not finish. Use for light cleaning & polishing. Use Wet.

- 7991441 14" NSS UHS CleanBuff Pad
- 7991741 17" NSS UHS CleanBuff Pad



3390361 225 A.H. Battery
2691501 325 A.H. Battery
7691401 395 A.H. Battery



2392129

STRIPPING (150 TO 300 RPM) FLOOR PADS

For all finishes: Removes finish completely.

- 7991401 14" NSS Black Strip Pad
- 7991701 17" NSS Black Strip Pad

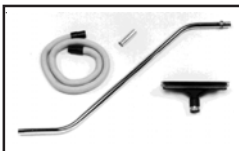
TOOL KITS

2392129 Wet Pick Up Tool Kit

- 5790331 Wand - 2 Piece
- 2391231 Vacuum Hose
- 5797011 Squeegee Tool
- 2291211 Aluminum Connector
- 2391241 Hose Strap
- 9997561 Velcro Loop
- 9997551 Velcro Hook

2392179 Brush Squeegee Kit

- 2290209 1.5" Steel Tube Handle
- 2391231 Vacuum Hose
- 3097849 Squeegee Tool w/ Brush
- 2291211 Aluminum Connector



2392179



4491771 120V
2698041 120V
Charger



NSS ® Enterprises, Inc.

3115 Frenchmens Road, Toledo, Ohio 43607
PHONE (419) 531-2121 FAX (419) 531-3761
NSS ® Enterprises, Inc. European Distribution Centre
Unit II, Pinfold Trading Estate * 55 Nottingham Road
STAPLEFORD, NOTTINGHAM NG9 8AD ENGLAND U.K.
PHONE: (44) 0115 939 1568 * FAX: (44) 0115 949 0615