

Castex®

Power Eagle 1000

Self-contained Carpet Extractor

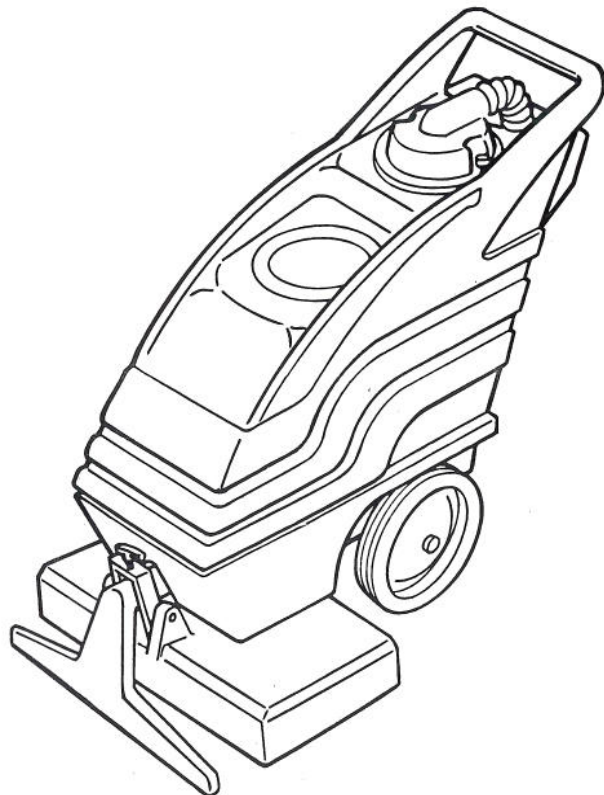
MODEL: PE1000 & OSPE1000

Operator & Parts Manual

Record Serial No. Here: _____

U.S. Patent No. 4,956,891

Solenoid Retro Kit - 190806
Viton Valve Kit - 190171
Water Lift Gauge - 700129
130311 - Feet Kit



CASTEX INCORPORATED
12875 RANSOM STREET
HOLLAND MI 49424

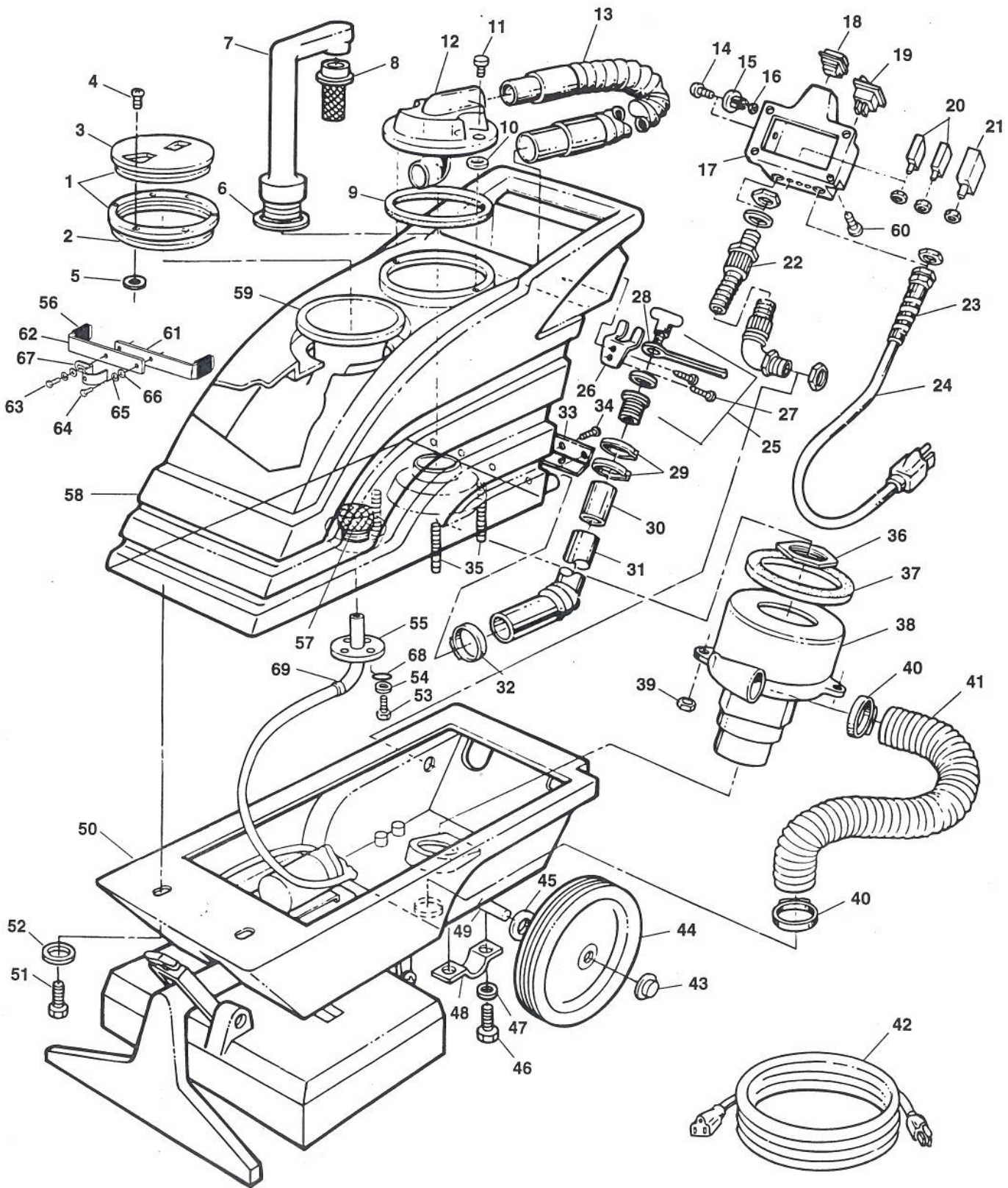
A **TENNANT** COMPANY

1-800-522-7839
616-786-2330
FAX: 1-800-678-4240
CUSTOMER SERVICE: 1-800-365-6625

173251

Rev. 04 (10-96)

MAIN CHASSIS PARTS DIAGRAM



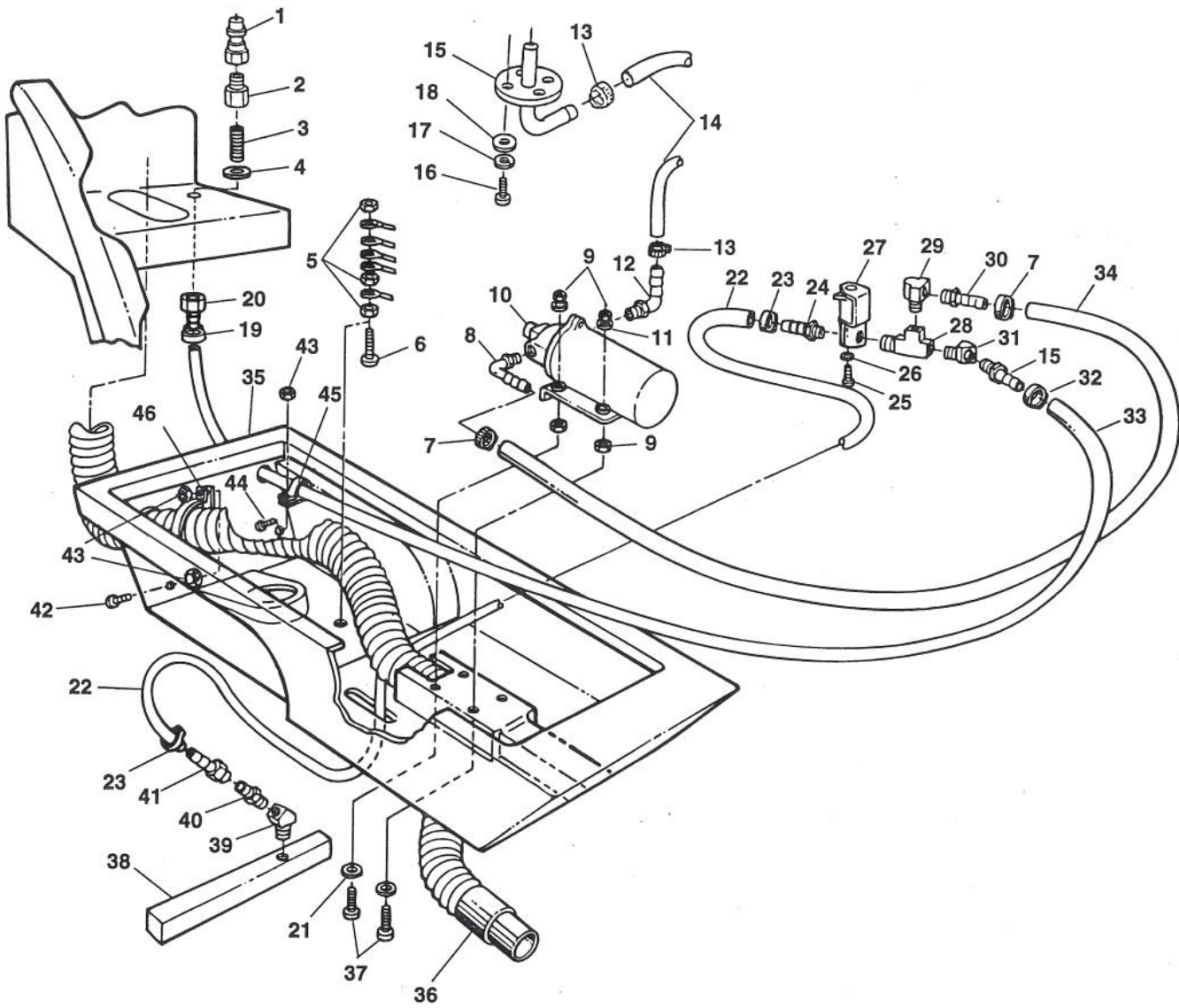
MAIN CHASSIS PARTS LIST

ITEM #	DESCRIPTION	PART #	QTY.	ITEM #	DESCRIPTION	PART #	QTY.
1.	LID, ASSEMBLY COMPLETE (MTS)	100103	1	38.	MOTOR, VAC 5.7/3 STAGE - 120V	130996	1
2.	LID, OUTER RING ONLY (BLACK)	100109	1		CARBON BRUSH	600177	1
3.	LID, CENTER ONLY CLEAR	100105	1		MOTOR, VAC 5.7/2 STAGE - 230V	130403	1
4.	SCREW, MCH 10-24 X 3/4	140900	6		CARBON BRUSH	190158	1
5.	WASHER, FLAT	140000	6	39.	NUT, LOCK	140501	4
6.	GASKET, WASTE AIR CHAMBER	101714	2	40.	CLAMP, HOSE	140308	2
7.	STANDPIPE RM-NAT 10 GAL PE	101255	1	41.	HOSE, EXHAUST 2" BLACK (2')	160441	1
8.	FLOAT, SHUT-OFF	180613	1	42.	CORD, 16/3 X 50' YLW SMOOTH	130250	1
9.	GASKET, RECOVERY DOME	100042	1		CORD, 16/3 X 75' BK EURO 16X1.5MM	130936	1
10.	WASHER, NYL	140037	2	43.	CAP, HUB	103019	2
11.	KNOB, DOME W/STAINLESS STEEL	240217	2	44.	WHEEL, 10" X 1.75 GRAY TREAD	103059	2
12.	ASM DOME (INCLUDES 9,10,11&12)	701005	1	45.	WASHER, FLAT	140008	2
13.	HOSE, VAC 1-1/2 X 51" W/CUFFS	160464	1	46.	SCREW, 1/4-20 X 5/8	140259	4
14.	SCREW, MCH 6-32 X 3/4	140879	1	47.	WASHER, LOCK	140016	4
15.	RECTIFIER, MINIBRIDGE - 600V	130304	1	48.	BRACKET, AXLE OFFSET	230746	2
16.	NUT, NYLON	140534	1	49.	AXLE, .50" DIA. X 13.12" LONG	230739	1
17.	SWITCHBOX, EAGLE (120V)	100611	1	50.	CHASSIS, EAGLE RM-BL	101363	1
	SWITCHBOX, EAGLE (220V)	100832	1		CHASSIS, EAGLE RM-NDG	101367	1
18.	SWITCH, MOMENTARY PULSE (120V)	130441	1	51.	SCREW, 3/8-16 X 1-1/4	140232	2
	SWITCH, PULSE (220V)	130716	1	52.	WASHER, FLAT	140028	2
19.	SWITCH, ROCKER ON/OFF (120V)	130717	1	53.	SCREW, MCH 1/4-20 X 3/4	140259	4
	SWITCH, ROCKER W/SPLSHGD (220V)	130065	1	54.	WASHER, LOCK	140016	4
20.	BREAKER, CIRCUIT 1.5 AMP(120V)	130743	2	55.	PLATE, BLADDER	600451	1
	BREAKER, CIRCUIT 1.2 AMP (220V)	130747	1	56.	GASKET	102569	1
21.	BREAKER, CIRCUIT 12 AMP(120V)	130670	1	57.	SCREEN, CLEAN WATER TANK	180628	1
22.	HARNESS, WIRING	130977	1	58.	RECOVERY TANK RM-NAT (120V)	101252	1
23.	CORD GRIP, LIQTGHT FLXNYL (120V)	130166	1		RECOVERY TANK RM-NLG (220V)	100470	1
	CORD GRIP, LIQTGHT 3/8 NYL (220V)	130137	1	59.	BLADDER RM-BK 10 GAL PE	101253	1
24.	CORD, 16/3 X 18" YELLOW SJTO	130237	1	60.	SCREW, MCH 1/4-20 X 1/2	140885	4
	CORD, 3X1.0MM2X12M BLK (220V)	600398	1	61.	BRACKET, TANK BRACE W/THDS	230843	1
25.	ASM, DRAINHOSE STOPPER	701061	1	62.	BRACKET, TANK BRACE W/HOLES	230844	1
26.	BRACKET, DRAIN HOSE HNGR BK	230696.BK	1	63.	SCREW, 1/4-20X5/8	140259	1
27.	SCREW, SHTMTL #6 X 3/4	140826	2	64.	SCREW, 1/4-20X1/2	140553	1
28.	STRAP, RUBBER	230882	1	65.	WASHER, LOCK 1/4	140016	2
29.	CLAMP, EAR	140072	2	66.	WASHER, FLAT 1/4	140000	2
30.	SLEEVE, DRAIN HOSE	140921	1	67.	CLAMP	230955	1
31.	HOSE, DRAIN	160416	1	68.	WASHER, FLAT	140000	4
32.	CLAMP, HOSE	140307	1	69.	CLAMP	140310	1
33.	HINGE, SOLUTION/RECOVERY TANK	230390	1		NOT SHOWN IN PARTS DIA FOR 220V:		
34.	SCREW, MCH 1/4-20 X 1/2	140885	7		TERMINAL STRIP (INSIDE SWITCHBOX #17)		
35.	STUD, FULL THRD	140238	3				
36.	NUT, FLANGED METAL	210240	1				
37.	GASKET, VAC MTR (120V)	100118	1				
	GASKET, VAC MTR (220V)	100038	1				

DECAL LIST (NOT SHOWN)

DESCRIPTION	PART #	QTY
INSTRUCTION	120592	1
IMPORTANT-ALWAYS...	120907	1
IMPORTANT-DRAIN	120906	1
WARNING EXTRACTORS	120619	1
HEIGHT ADJUSTMENT	120617	1
NOBLES LOGO (OSNPE1000)	120240	1
CASTEX SIDELINE RT (PE1000)	120184	1
CASTEX SIDELINE LT (PE1000)	120185	1
CASTEX LOGO (PE1000)	120104	1

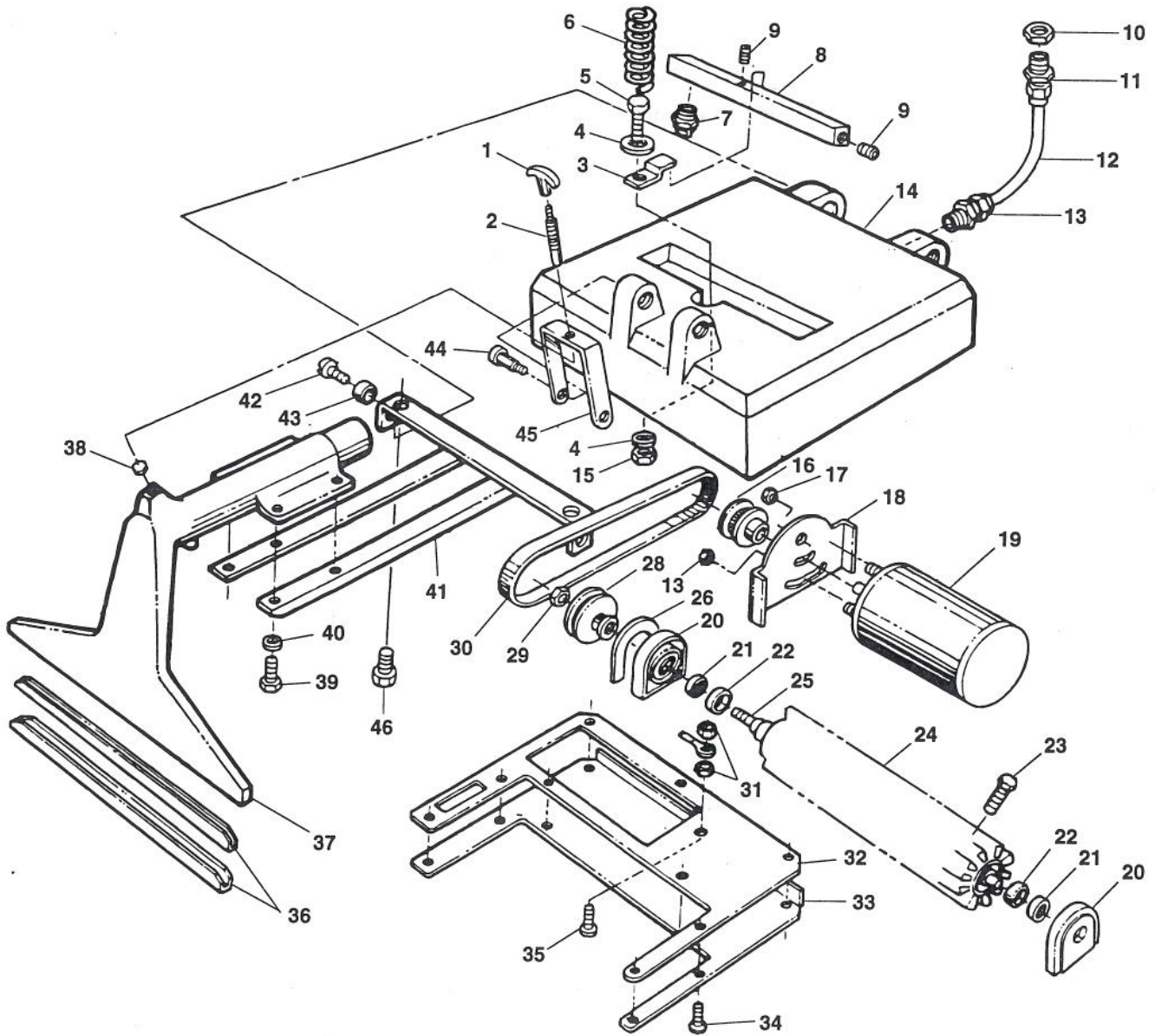
PUMP SYSTEM PARTS DIAGRAM



PUMP SYSTEM PARTS LIST

ITEM #	DESCRIPTION	PART #	QTY.	ITEM #	DESCRIPTION	PART #	QTY.
1.	PLUG, QCK COUP BRASS - SER 60	150933	1	27.	VALVE, SOLENOID 120 VOLT 60 HZ	210033	1
2.	ADAPTER, 1/4FX1/4M	150000	1		VALVE, SOLENOID 220 VOLT 50 HZ	210036	1
3.	NIPPLE, HX 1/4 X 2	150606	1		VALVE, SOLENOID 100 VOLT 50 HZ	210037	1
4.	WASHER, FLAT	140008	1		VALVE, SOLENOID 240 VOLT 50 HZ	210260	1
5.	NUT, KEP	140519	3	28.	TEE, STRT 1/4FX1/4FX1/4M	150709	1
6.	SCREW, MCH 10-24 X1 1/4	140899	1	29.	ELBOW, STRT	150406	1
7.	CLAMP, HOSE	140306	2	30.	HOSE BARB	150517	1
8.	ELBOW	150425	1	31.	ELBOW, STRT	150403	1
9.	NUT, KEP	140519	8	32.	CLAMP, EAR	140301	1
10.	PUMP, 100 PSI - 120V	180103	1	33.	HOSE, 3/8 LP GRAY (4.33')	160207	1
	PUMP, 100 PSI - 220V & 240V	180109	1	34.	HOSE, CONTENDER 1/2" RED-BULK	160220	2'
11.	WASHER, FLAT	140012	4	35.	CHASSIS, EAGLE RM-BL (120V)	101363	1
12.	ELBOW	150412	1		CHASSIS, EAGLE RM-NDG (220V)	101367	1
13.	CLAMP	140310	2	36.	HOSE, VAC 1-1/2 X 51" W/CUFFS	160464	1
14.	HOSE, 3/8 LP GRAY (2.58')	160207	1	37.	SCREW, MCH 10 - 24 X 1-1/4 RDPH SS	140899	4
15.	PLATE, BLADDER	600451	1	38.	MANIFOLD, SPRAYBAR 20" (SEE POWER BRUSH PARTS DIAGRAM)	230379	1
16.	SCREW, 1/4-20X5/8	140259	4	39.	ELBOW, STRT 1/8MX1/8F	150422	1
17.	WASHER, LOCK	140016	4	40.	ADAPTER, 1/8NPTMX1/4	150616	1
18.	WASHER, FLAT	140000	4	41.	HOSE BARB, 1/8NPTFX1/4H	150526	1
19.	CLAMP, HOSE	140310	1	42.	SCREW, MCH 10 - 24 X 1	140804	1
20.	HOSE BARB	150511	1	43.	NUT, NYLON LOCK	140552	3
21.	WASHER, FLAT	140011	4	44.	SCREW, MCH 10-24X5/8	140891	1
22.	HOSE, 1/4" LP GRAY (1.33')	160204	1	45.	CLAMP, NYLON 1/2" ID NATURAL	140323	1
23.	CLAMP, EAR	140325	2	46.	CLAMP, 1 1/2" DIA NYLON	140327	1
24.	HOSE BARB	150515	1				
25.	SCREW, MCH 8-32 X 3/8	140801	2				
26.	WASHER, INT LCK	140023	2				

POWER BRUSH PARTS DIAGRAM



POWER BRUSH PARTS LIST

ITEM #	DESCRIPTION	PART #	QTY.	ITEM #	DESCRIPTION	PART #	QTY.
1.	KNOB, HEIGHT ADJUSTMENT	240194	1	24.	BRUSH, CYLINDER 20"	240050	1
2.	STUD, THREADED	230258	1	25.	SHAFT, BRUSH 20"	230362	1
3.	CLAMP, SPRAYBAR MANIFOLD BK	230264.BK	1	26.	GASKET	100005	1
4.	WASHER, FLAT	140028	2	27.	SPACER	230363	1
5.	SCREW, 3/8-16X1-1/4	140232	1	28.	PULLEY, BRUSH	230505	1
6.	SPRING	140441	1	29.	NUT, FINISHED JAM	140548	1
7.	NOZZLE, BRASS <i>Tip 201013</i>	201011	5	30.	BELT, BRUSH DRIVE	230507	1
8.	MANIFOLD, SPRAYBAR 20"	230379	1	31.	NUT, KEP 10-24	140519	2
9.	PLUG	150208	3	32.	GASKET	100015	1
10.	NUT, CONDUIT	140504	1	33.	PLATE, BRUSH BASE 20" BLACK	230367.BK	1
11.	CORD GRIP (FOR SERVICE ONLY)	130137	1	34.	SCREW, 10-24X3/8	140887	12
12.	CORD, 18/3 X 24" BLACK SJTO	130662	1	35.	SCREW, 10-24X1/2	140890	1
13.	CORD GRIP, LIQTGHT 1/2N NYL BK	130181	1	36.	SHOE, 20" FLOOR TOOL	200825	2
14.	HOUSING, BRUSH 20" RM-BL (120V)	100859	1	37.	TOOL,PICKUP 20" EAGLE (120V)	230840.BL	1
	HOUSING, BRUSH 20" RM-NDG (220V)	100873	1		TOOL,PICKUP 20" EAGLE (220V)	230840.BK	1
15.	NUT, LOCK	140515	1	38.	SPACER	140919	1
16.	PULLEY, MOTOR	230506	1	39.	SCREW, 5/16-18X1"	140219	4
17.	NUT, KEP 10-32	140518	2	40.	WASHER, LOCK	140015	6
18.	PLATE, MOTOR MOUNT	230366	1	41.	BRACKET,BRUSH MTG	230459.BK	1
19.	MOTOR, BRUSH DRIVE 120 VOLT	130471	1	42.	SCREW, 3/8-16X3/4	140898	2
	MOTOR, BRUSH DRIVE 220VOLT	130472	1	43.	SPACER	140914	2
20.	BLOCK, BEARING	230261	2	44.	BOLT, SHOULDER	140564	2
21.	BEARING	140125	2	45.	BRACKET HEIGHT ADJ BLUE (120V)	230461.BL	1
22.	SEAL, BRUSH BEARING	100049	2		BRACKET HEIGHT ADJ BLACK (220V)	230461.BK	1
23.	SCREW, 1/4-20X3/4	140554	4	46.	SCREW, 5/16-18 X 5/8	140226	2

WIRING DIAGRAM

