

Castex[®]

SCX-900/SCX-900R

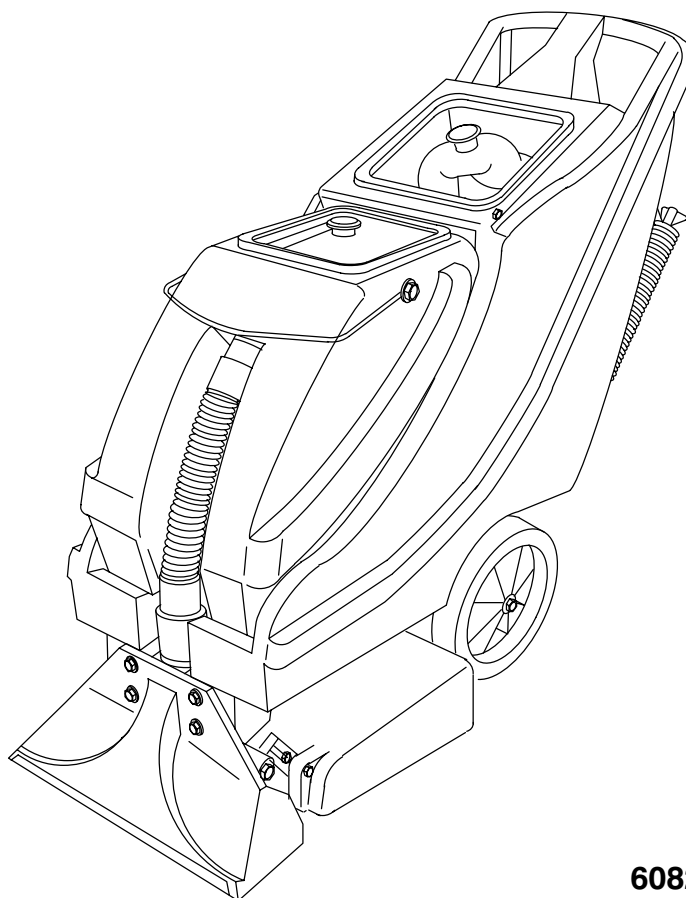
Self-Contained Carpet Extractor

Model:

607434 – SCX-900

608209 – SCX-900R

Operator and Parts Manual



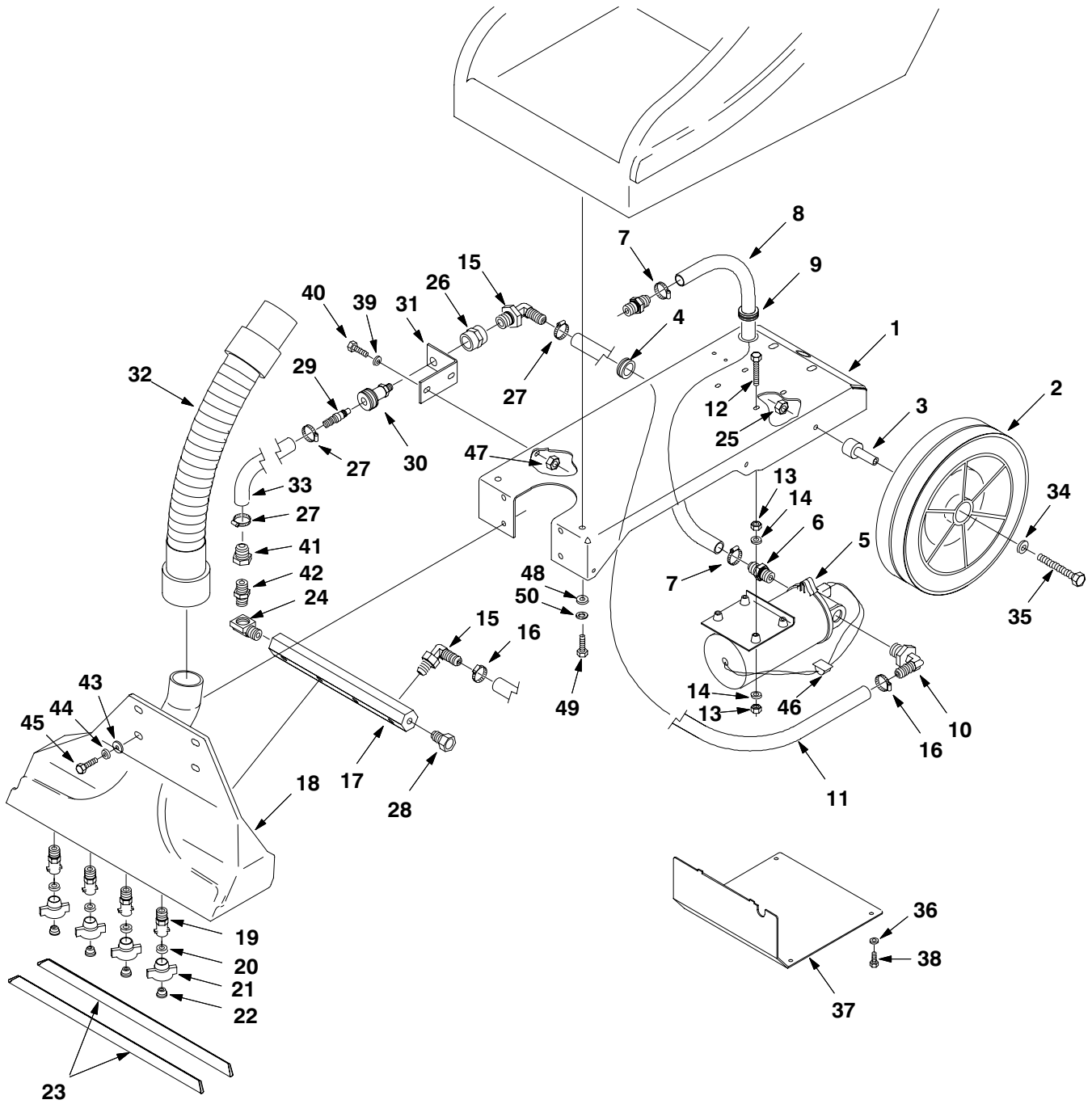
CASTEX INCORPORATED
12875 RANSOM STREET
HOLLAND MI 49424 U.S.A.

A TENNANT COMPANY

1-800-522-7839
616-786-2330
FAX: 1-800-678-4240
CUSTOMER SERVICE: 1-800-964-9644

608262
Rev. 00 (07-99)

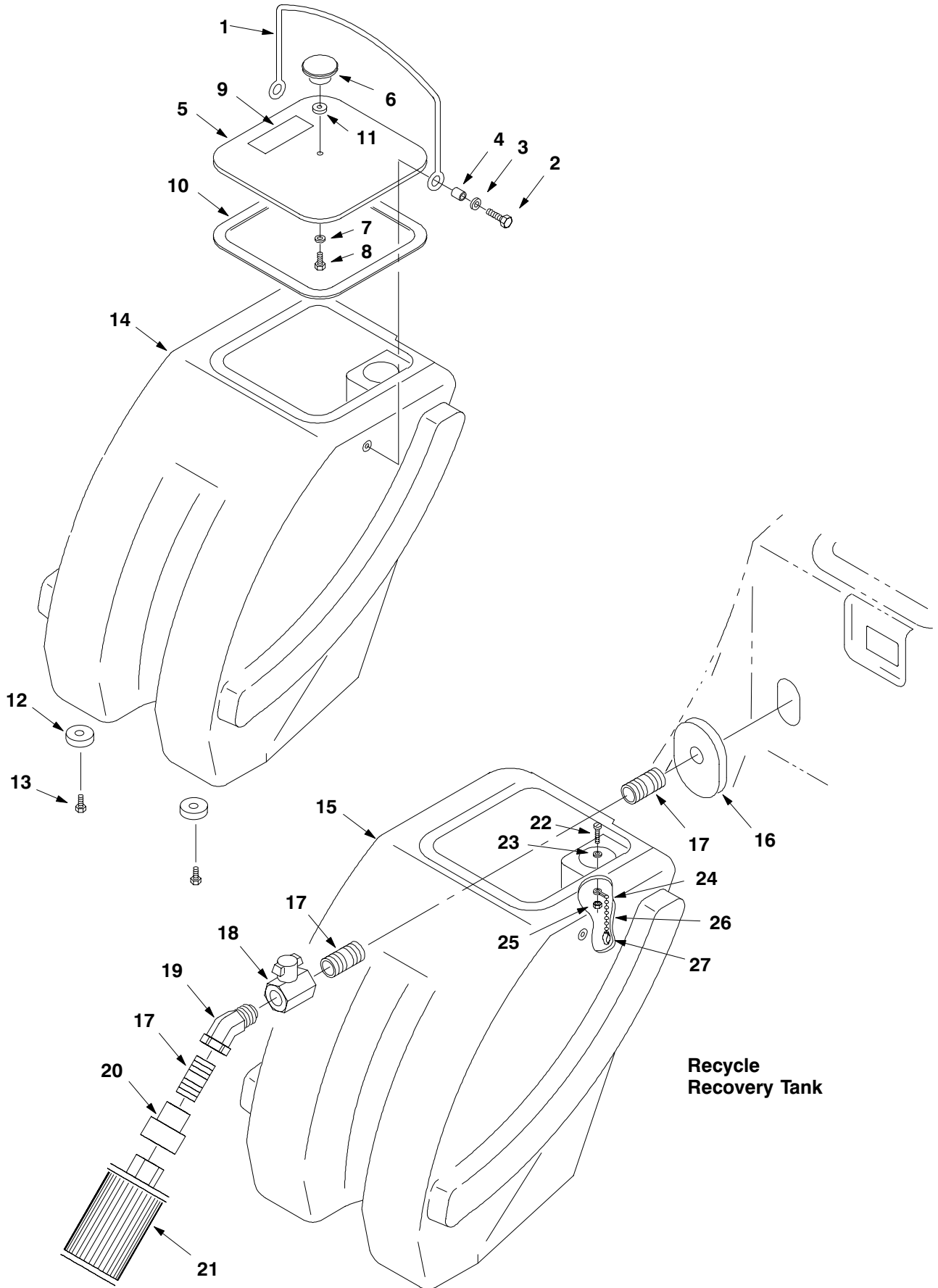
Main Frame and Plumbing Group



Main Frame and Plumbing Group

Ref	Part No.	Description	Qty.
1	575718	Frame	1
2	575234000	Wheel	2
3	575252000	Axle Spacer	2
4	575417	Grommet	1
5	180103	Pump, Solution 120V	1
5	180109	Pump, Solution 230V	1
6	150538	Hose Barb	1
7	140310	Clamp, Hose	2
8	25160	Hose, Braided	1
9	575505000	Grommet	1
10	575036	Fitting, Elbow	1
11	575416	Hose, Black	1
12	575323000	Screw, m05x30	4
13	140283	Nut, Lock m05	8
14	200315016	Washer, Flat	8
15	575038	Fitting, Elbow	2
16	140305	Clamp, Hose	2
17	575278000	Manifold	1
18	575236000	Shoe, Water Pickup	1
19	575281000	Body, QuickJet	5
20	575276000	Gasket, QuickJet	5
21	575282000	Cap, QuickJet	4
22	200960	Nozzle, Spray	4
23	575239000	Glide, Vac Shoe	2
24	150420	Elbow, Street	1
25	200160017	Nut, Lock	2
26	150300	Connector, Anchor	1
27	140301	Clamp, Hose	3
28	575318000	Plug, Pipe	1
29	575521000	Fitting, Quick Conn	1
30	575520000	Quick Connect	1
31	575265000	Angle, Coupling	1
32	575235000	Hose, Vacuum	1
33	25160	Hose, Braided	1
34	200313012	Washer, Flat	4
35	575544000	Screw, m8x80mm	2
36	140018	Washer, Lock	2
37	575719	Cover	1
38	039706105	Screw, S-tap #10	2
39	140012	Washer, Plain	2
40	200031436	Screw, m06x16mm	2
41	575522000	Fitting, 3/8Fx3/8H	1
42	575217000	Valve, Check	1
43	200313012	Washer, Flat	4
44	575533000	Washer, Lock	4
45	200607491	Screw, m08x25mm	4
46	575037	Clip, Wire	1
47	579028	Nut, Lock	1
48	14880.5	Washer, Flat	4
49	200031486	Screw, m08x16mm	4
50	200370019	Washer, Lock	4

Recovery Tank Group

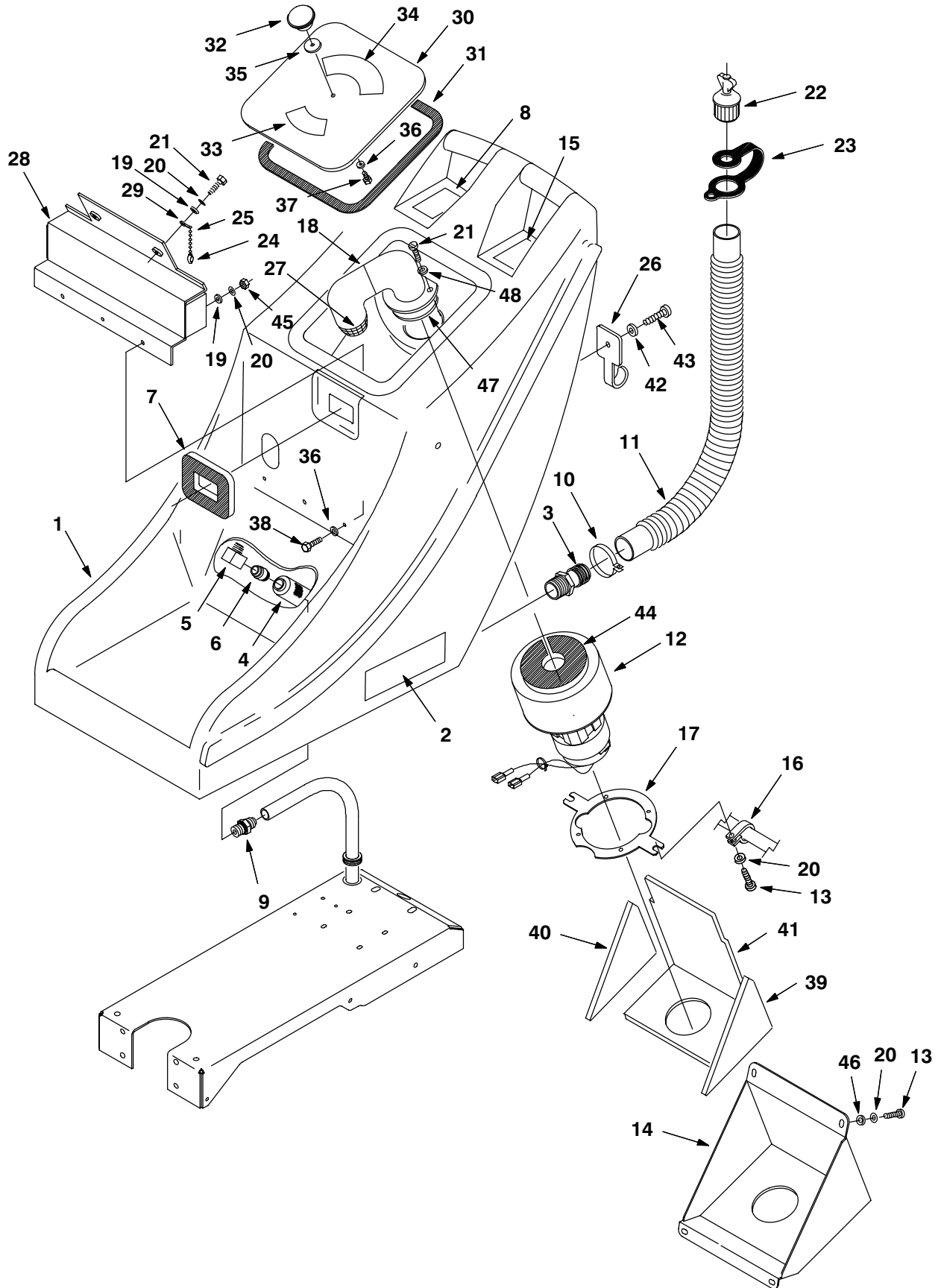


**Recycle
Recovery Tank**

Recovery Tank Group

Ref	Part No.	Description	Qty.
1	575220000	Handle, Tank	1
2	575029000	Screw,m8x20mm	2
3	200313012	Washer, Flat	2
4	575524000	Washer, Nylon	2
▽ 5	575223000	Cover, Rec. Tank	1
▲ 6	578032000	Knob, Fill Cover	1
▲ 7	25183.4	Washer, Flat	1
▲ 8	578235000	Screw, .25–20x.75	1
▲ 9	575105	Label, Recycle	1
▲ 10	575224000	Gasket, Cover	1
▲ 11	575600	Washer, Rubber	1
12	575531	Spacer	2
13	575569000	Screw	2
14	608005	Tank, Recovery Pail, Blue, (non–recycle model)	1
▽ 15		Asm., Recovery Tank, Pail, Teal (recycle model)	1
	609163	Tank, Recovery, Pail, Teal (recycle model)	1
15	608211	Tank, Recovery, Pail, Blue (recycle model)	1
▲ 16	575228000	Seal, Water	1
▲ 17	575535000	Fitting, Nipple	3
▲ 18	575340000	Valve, Ball	1
▲ 19	150404	Street, Elbow, 45°	1
▲ 20	575545000	Fitting, Reducer	1
▲ 21	578014000	Screen	1
22	200613384	Screw, m5x14mm	1
23	575541000	Washer, Flat	1
24	575536	Coupling, End	1
25	575540000	Nut, Jam	1
26	575537	Chain, Ball	1
27	575538000	Link, Spacing	1

Solution Tank Group



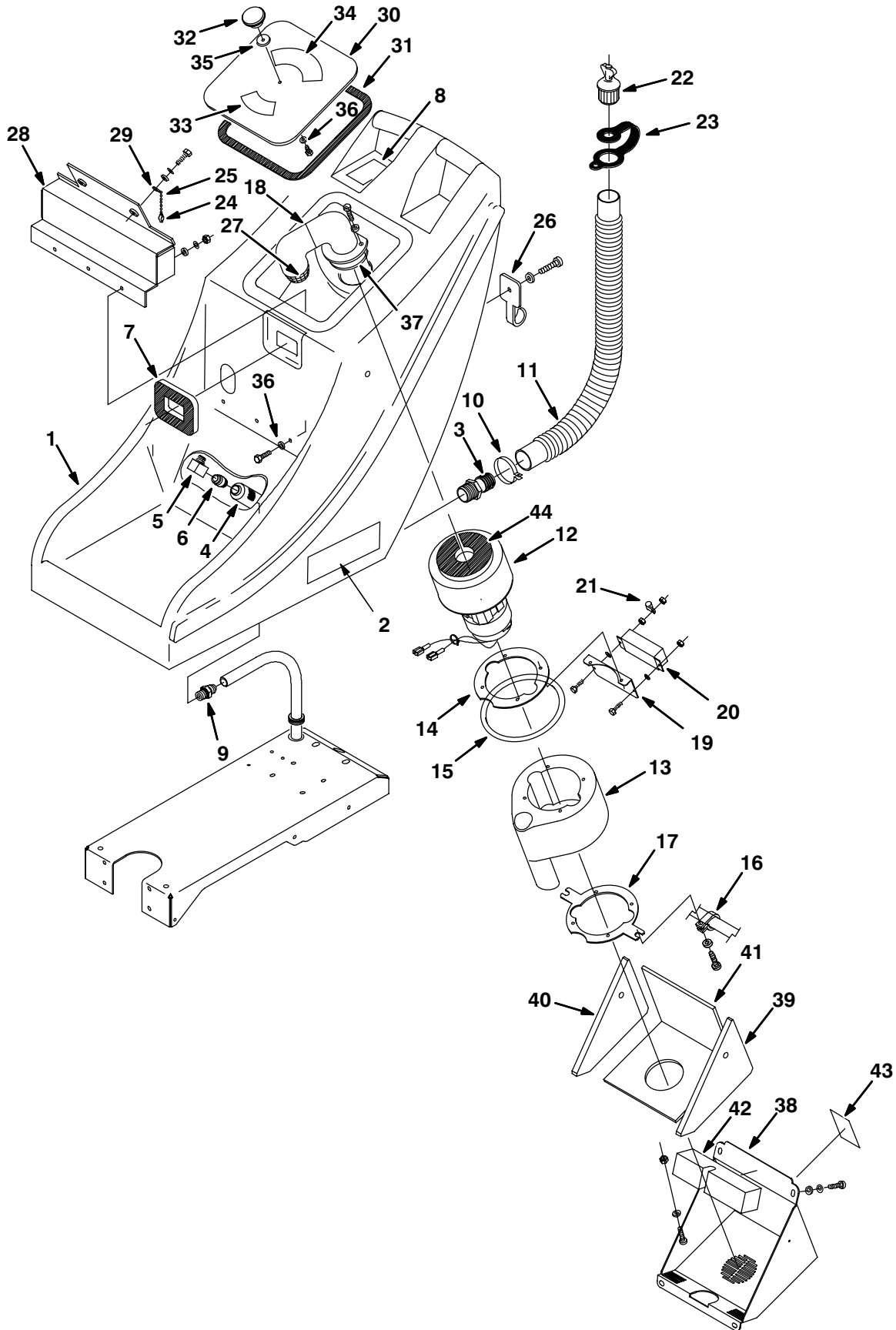
Solution Tank Group

Ref	Part No.	Description	Qty.
1	600580	Tank, Solution, Blue	1
2	608007	Decal, "SCX-900"	2
	608210	Decal, "SCX-900R"	2
3	621277000	Fitting, Straight	1
4	575055	Filter, Pump	1
5	150420	Fitting, 90°	1
6	150617	Fitting, Nipple	1
7	575250000	Gasket, Tank	1
8	578729	Decal, Read Manual	1
9	150538	Adaptor	2
10	140308	Clamp, Hose	1
11	578031000	Hose, Drain	1
12	575243000	Motor, Vacuum 120V	1
	575034	Motor, Vacuum 230V/240V	1
13	578321000	Screw, 6mx16mm	6
14	575245000	Cover, Vacuum Motor	1
15	575345000	Decal, After Use	1
16	575329000	Clamp, Wire	1
17	575701	Bracket, Vac Motor	1
18	575411000	Elbow, Inlet	1
19	059650283	Washer, Flat	6
20	200662017	Washer, Lock	11
21	578302	Screw, m5x14mm	2
22	621324	Plug, Expansion	1
23	578441	Strap, Hose Drain	1
24	575538000	Spacing Link	1
25	575537	Chain, Ball	1
26	575502000	Clip, Hose Drain	1
27	575246000	Screen, Inlet	1
28	575511000	Baffle, Tank	1
29	575536	Coupling, End	1
∇ 30	575221000	Cover, Tank	1
▲ 31	575222000	Gasket, Cover	1
▲ 32	578032000	Knob, Fill Cover	1
▲ 33	575104	Decal, Fill Tank (textless)	1
▲ 34	578767	Decal, 'Flam. Mat.'	1
▲ 35	575600	Washer, Rubber	1
▲ 36	25183.4	Washer, Sealing	4
▲ 37	578235000	Screw, .25-20x.75	1
38	200609438	Screw, m6x20mm	3
39	575247000	Foam, Sound	1
40	575248000	Foam, Sound	1
41	575249000	Foam, Sound	1
42	200315016	Washer, Flat	1
43	200051384	Screw, m5x14mm	1
44	100038	Gasket	1
45	200634016	Nut	3
46	579210	Washer, Flat 6.4mm	4
47	575561000	O Ring	1
48	575541000	Washer, Flat	1

∇ Assembly

▲ Included in Assembly

Solution Tank Group – EMC Model



Solution Tank Group – EMC Model

Ref	Part No.	Description	Qty.
1	575210000	Tank, Solution, Teal (recycle model)	1
2	609072	Decal, "1230"	1
3	621277000	Fitting, Straight	1
4	575055	Filter, Pump	1
5	150420	Fitting, 90°	1
6	150617	Fitting, Nipple	1
7	575250000	Gasket, Tank	1
8	578729	Decal, Read Manual	1
9	150538	Adaptor	2
10	140308	Clamp, Hose	1
11	578031000	Hose, Drain	1
12	575034	Motor, Vacuum 240V	1
13	575700	Shroud	1
14	575707	Gasket	1
15	575706	Gasket	1
16	575329000	Clamp, Wire	1
17	575701	Bracket, Vac Motor	1
18	575411000	Elbow, Inlet	1
19	578865	Bracket	1
20	578869	Filter, RFI	3
21	578849	Clamp	1
22	621324	Plug, Expansion	1
23	578441	Strap, Hose Drain	1
24	575538000	Spacing Link	1
25	575537	Chain, Ball	105
26	575502000	Clip, Hose Drain	1
27	575246000	Screen, Inlet	1
28	575511000	Baffle, Tank	1
29	575536	Coupling, End	1
▽ 30	575221000	Cover, Tank	1
▲ 31	575222000	Gasket, Cover	1
▲ 32	578032000	Knob, Fill Cover	1
▲ 33	575104	Decal, "Fill"	1
▲ 34	578767	Decal, 'Flam. Mat.'	1
▲ 35	575600	Washer, Rubber	1
▲ 36	25183.4	Washer, Sealing	1
37	575561000	O Ring	1
▽ 38	575705	Cover Assy., Vac	1
▲ 39	575721	Foam, Sound	1
▲ 40	575722	Foam, Sound	1
▲ 41	575723	Foam, Sound	1
▲ 42	575724	Foam, Sound	1
▲ 43	578768	Decal, Hazard Volt.	1
▲ 44	100038	Gasket	1

▽ Assembly

▲ Included in Assembly

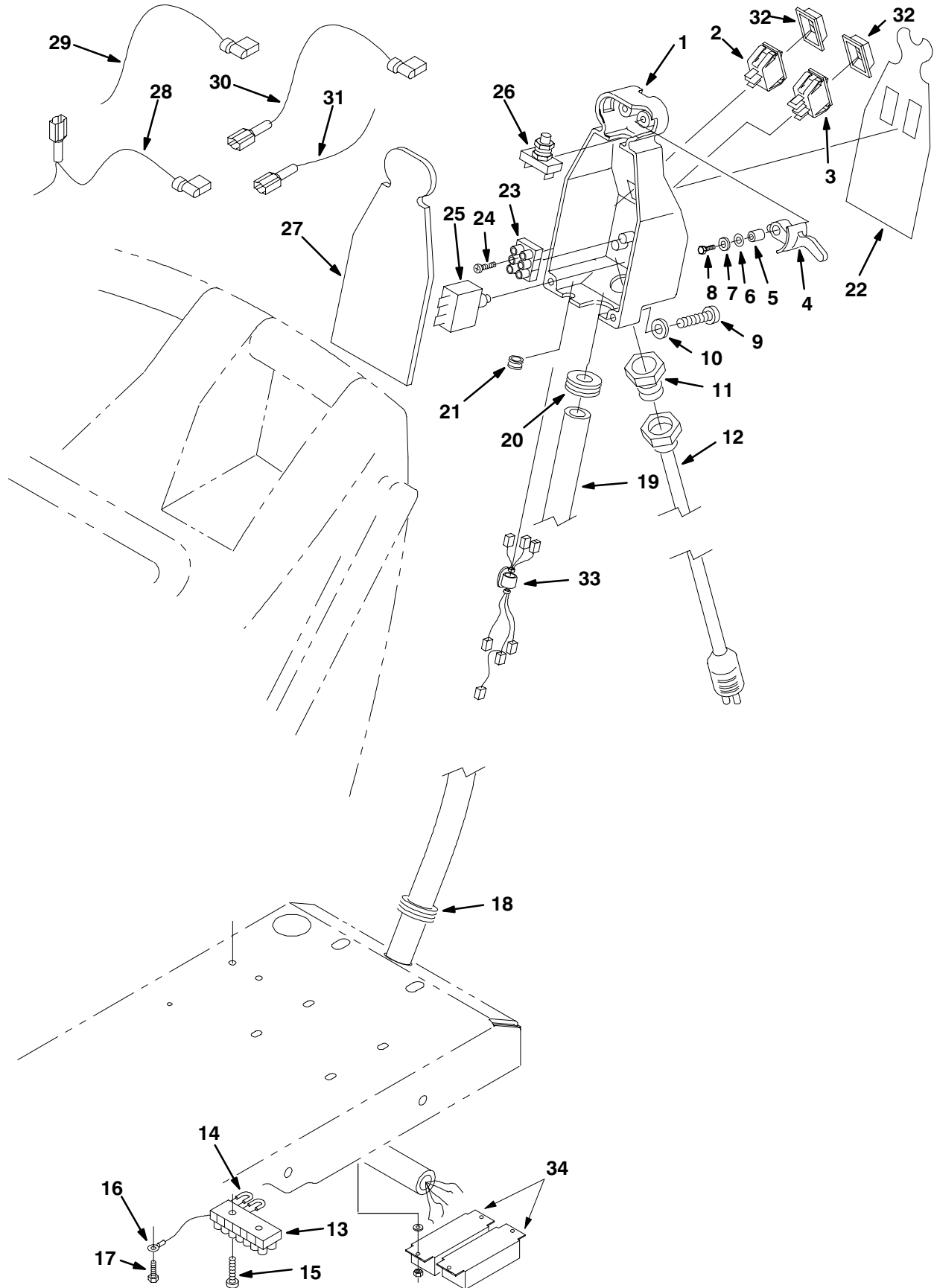
Powerbrush Group

Ref	Part No.	Description	Qty.
▽ 1	600626	Housing, Brush, Blue	1
▲ 2	575542000	Bearing, Flange	2
3	200304017	Washer, Flat	2
4	575543000	Screw, M06-45	1
5	575314000	Angle, Head Lift	1
6	579028	Nut, Lock	2
7	575570	Spring, Extension	1
8	575316000	Spacer	1
9	069764140	Screw, M05-16mm	1
10	575546000	Screw, .31-18x2.25"	1
11	630095	Bearing, Flange	2
12	630470	Screw, Shoulder	2
13	21497	Strain Relief	1
14	575304000	Harness, Wire	1
15	21497	Strain Relief	2
16	575038	Fitting, Elbow	1
17	140305	Clamp, Hose	1
18	575341000	Hose, Black	1
19	140546	Nut, Lock	1
20	575268000	Retainer, Strap	1
21	200785014	Washer, Flat	10
22	575539000	Washer, Lock	10
23	200630342	Screw, M04x10mm	10
24	575530000	Cap, Plug	1
25	575281000	Body, QuickJet	1
26	575276000	Gasket, QuickJet	1
27	575571000	Cap, QuickJet	1
28	575568000	Tip, QuickJet	1
29	575254000	Motor, Brush Assy 120v	1
	575375000	Brush Card Assembly Replacement, 120v (not shown)	Set/2
	575373	Armature with Bearings, 120v (not shown)	1
29	575581	Motor, Brush Assy 230v	1
	190154	Brush Card Assembly Replacement, 230v (not shown)	Set/2
30	575259000	Sheave, Motor	1
31	575261000	Belt	1
32	575380	Nut, #10-32	4
33	140012	Washer, Plain	6
34	575256000	Angle, Motor Mount	1
35	069777319	Washer, Lock	2
36	200031433	Screw, M06x12mm	2
37	575540000	Nut, Lock	1
38	130780	Bridge Rectifier	1
▽ 39	575272000	Plate, Base Assy	1
▲ 40	575273000	Gasket, Floor Plate	1
▽ 41	575260000	Pulley, Brush Assy	1
▲ 42	575266000	Seal, Brush	1
▲ 43	140125	Bearing, Brush	1
▲ 44	575264000	Mount, Bearing	1
▲ 45	575269000	Cap, Plug	1
46	575267000	Washer, Wavy	2
▽ 47	575387000	Brush Assembly	1
▲	575262000	Brush Only	1
▲ 48	140125	Bearing, Brush	1
▲ 49	575266000	Seal, Brush	1
▲ 50	575264000	Mount, Bearing	1
Optional Brush			
	578322	Brush, Grit, 17" Optional (not shown)	1

▽ Assembly

▲ Included in Assembly

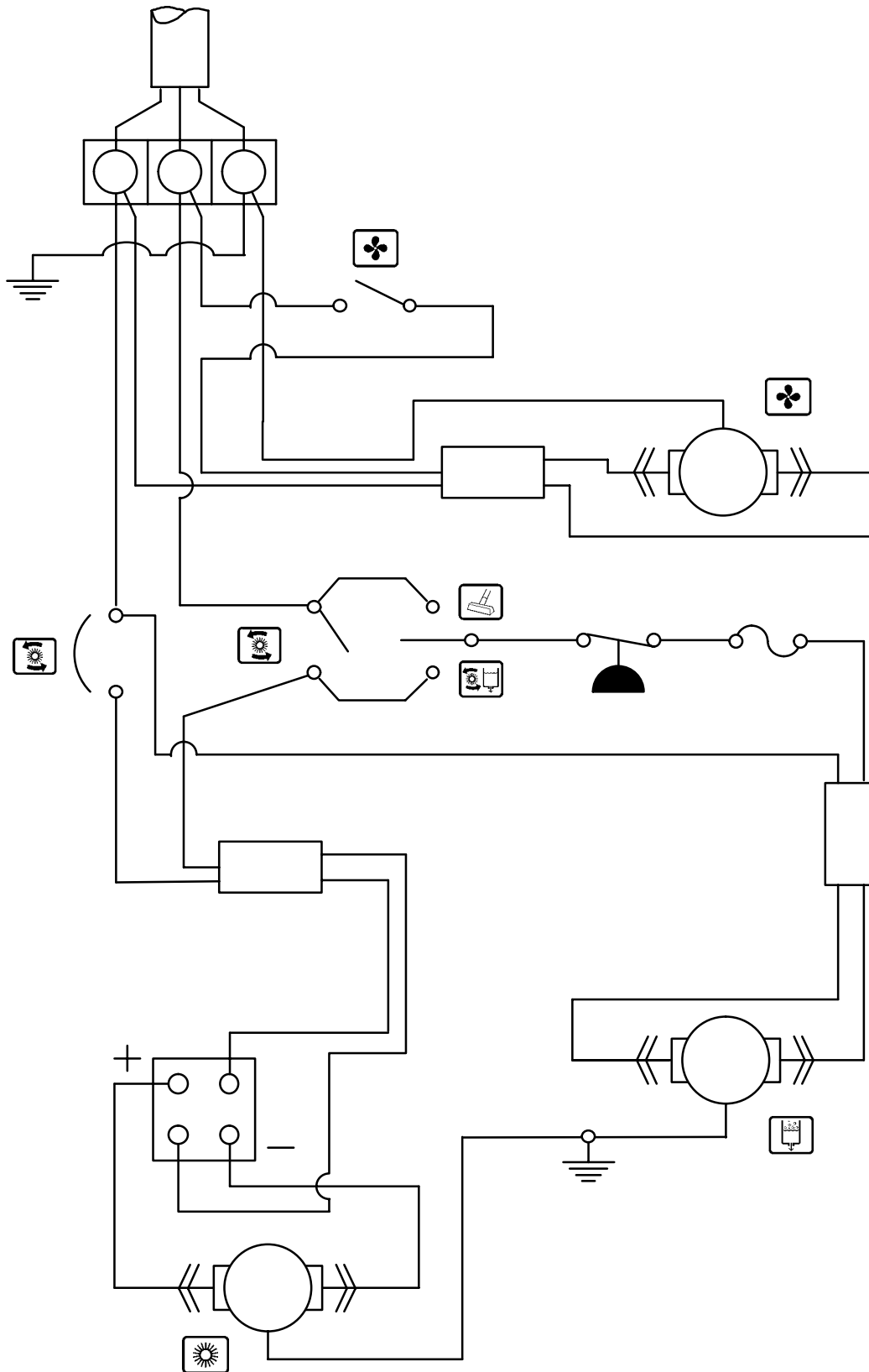
Electrical Panel Group



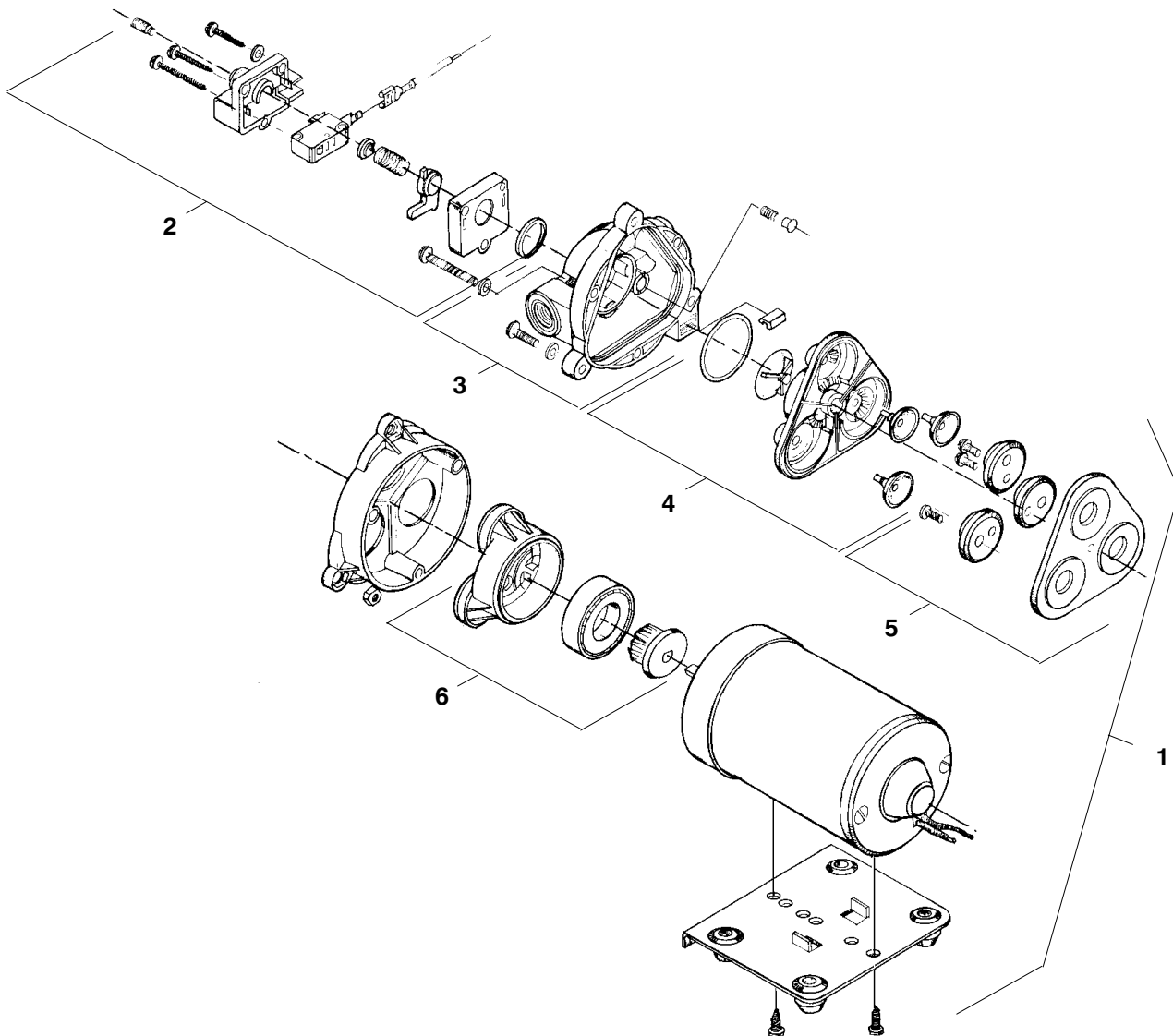
Electrical Panel Group

Ref	Part No.	Description	Qty.
1	575577	Cover Console	1
2	575300000	Switch, Rocker	1
	578719	Switch, Rocker (EMC Model)	1
3	578005000	Switch, Rocker	1
	575750	Switch, Rocker (EMC Model)	1
4	578002000	Arm Trigger	2
5	578082000	Spacer, Trigger	2
6	578186000	Washer, Flat	2
7	200662012	Washer, Lock	2
8	069764190	Screw, M03x16	2
9	578008000	Screw, M5x31.3	3
10	140018	Washer, Lock	3
11	130167	Strain Relief, Pigtail	1
12	578023000	Cord Set	1
13	578013000	Block, Terminal	1
14	578259000	Wire, Jumper	2
15	578011000	Screw, Self Tap	2
16	575513000	Ground Wire Assy	1
17	140897	Screw, F, Slot	1
18	579124	Strain Relief	1
19	575303000	Harness, Wire	1
20	578009000	Grommet	1
21	578080000	Grommet	1
22	575101	Decal, Console	1
23	578007000	Block, Terminal	1
24	578011000	Screw, Self Tap	2
25	578004000	Circuit Breaker, 3A, 120V	1
25	578337000	Circuit Breaker, 1.5A, 230V	1
26	130712	Switch, Pushbutton	1
27	575576000	Gasket	1
28	575305000	Wire Assy, Console	1
29	575306000	Wire Assy, Acc Sw	1
30	575308000	Wire Assy, Vac Sw	1
31	575309000	Wire Assy, Vac Mtr	1
32	578720	Splash Guard (EMC Model)	2
33	575712	Wire Assy (EMC Model)	1
34	578869	Filter, RFI (EMC Model)	1

Electrical Schematic

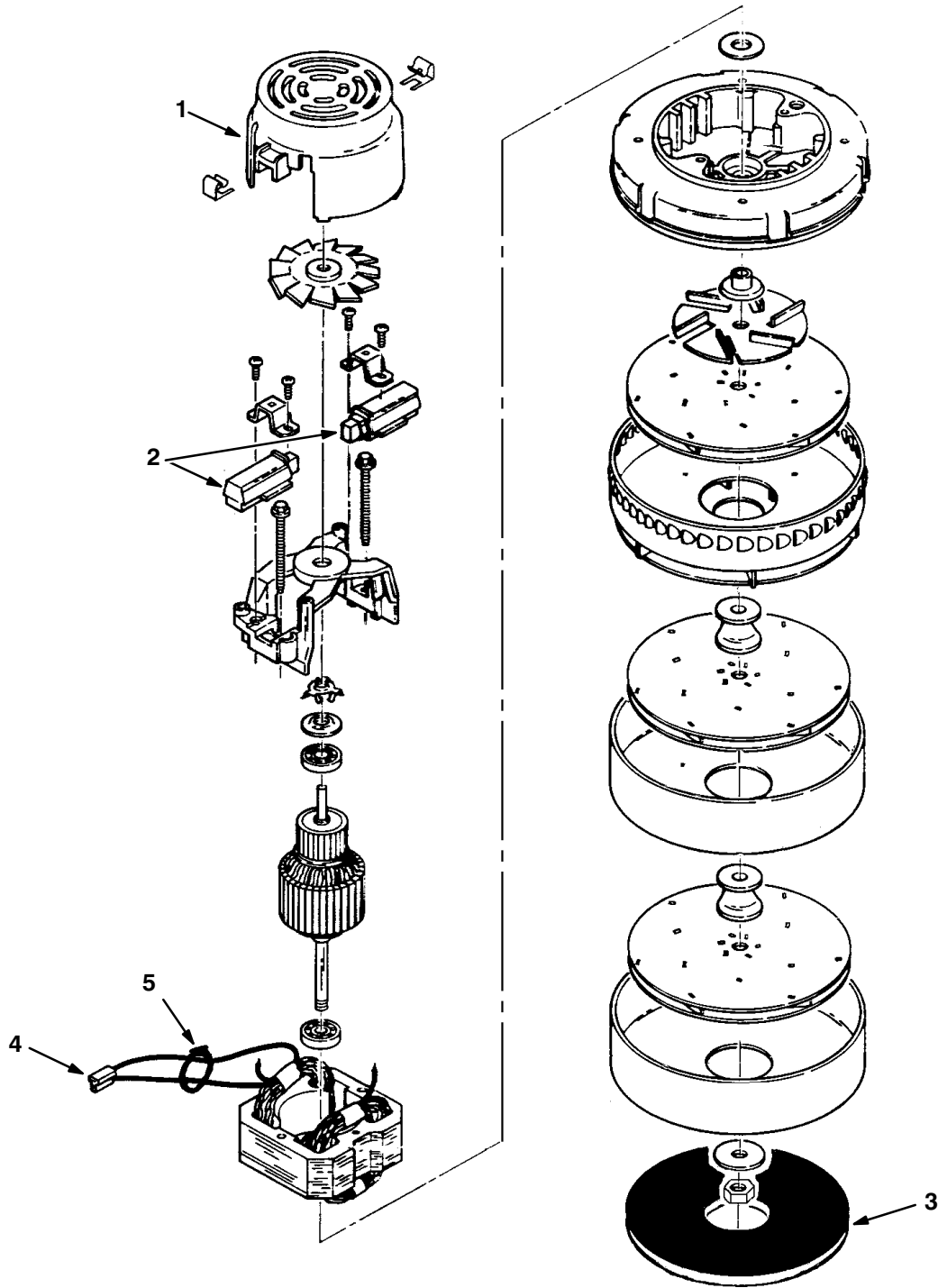


Pump Motor



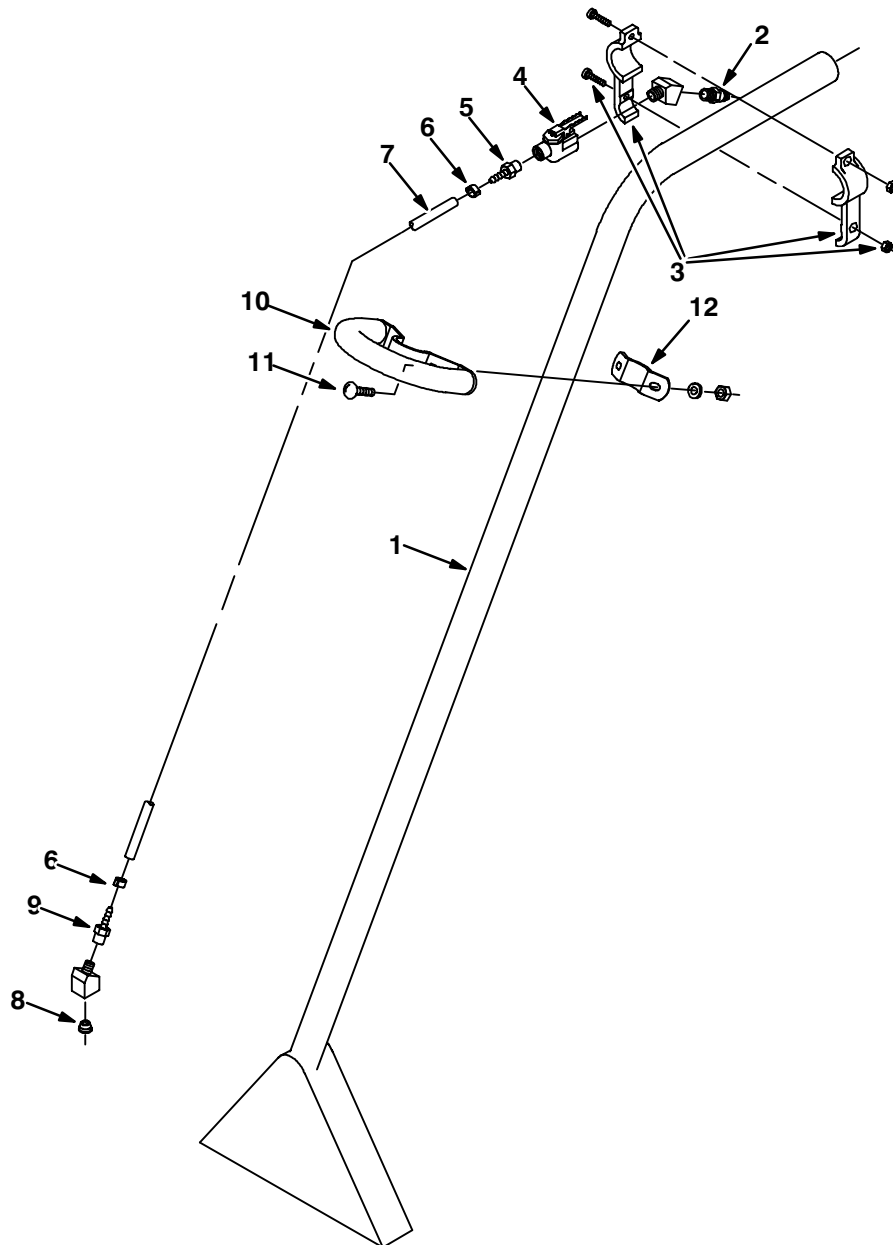
Ref	Part No.	Description	Qty.
1	180103	Pump, Solution Asm., 120V	1
1	180109	Pump, Solution Asm., 230V	1
2	190129	Kit, Pressure Switch	1
	190172	Kit Pressure Switch (Viton)	1
	190134	Kit, Diaphragm Only	1
3	190128	Kit, Upper Pump Housing	1
	190124	Kit, Check Valve Only	1
4	190171	Kit, Valve (Viton)	1
5	190131	Kit, Service	1
6	190130	Kit, Lower Pump Housing	1

Vacuum Motor



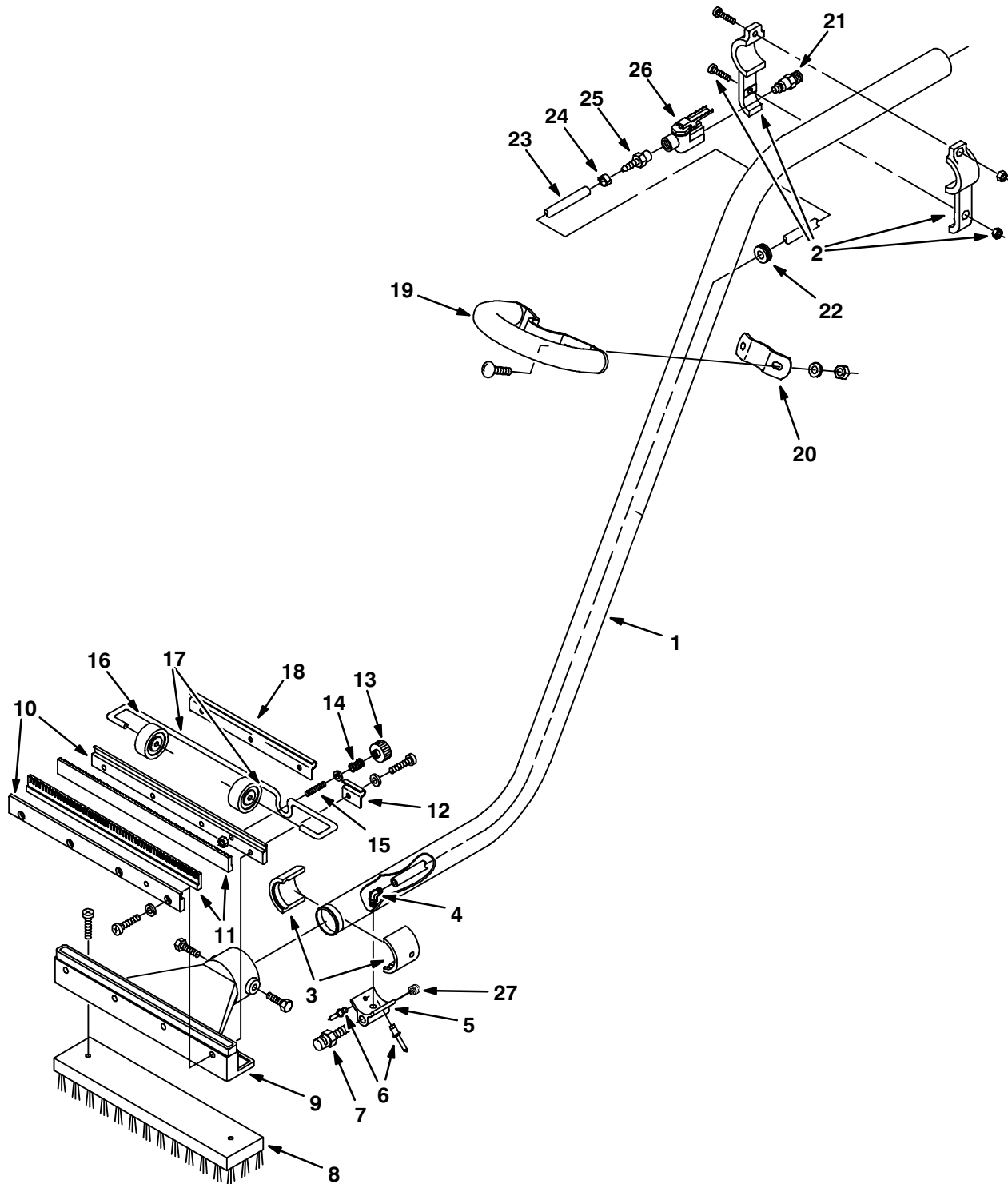
Ref	Part No.	Description	Qty.
▽	575243000	Vacuum Fan Assy 120V	1
▽	575034	Vacuum Fan Assy 230V	1
▲ 1	130487	Cover, Fan Motor	1
▲ 2	575381000	Brush, Fan Motor 120V	2
	575592	Brush, Fan Motor 230V	2
▲ 3	100038	Gasket, Foam	1
▲ 4	130096	Terminal	2
▲ 5	130040	Wire, Tie	1

Carpet Wand



Ref	Part No.	Description	Qty.
1	575905000	Carpet Wand Assy	1
1	575907	Carpet Wand Assy w/ Handle	1
2	578091000	Plug, Quick Connect	1
3	578077000	Bracket, Valve	1
4	578064000	Valve, Water	1
5	578094000	Fitting, Hose Barb	1
6	578160000	Clamp, Hose	2
7	575523000	Hose, Reinforced	1
8	575529000	Tip, Spray	1
9	150510	Fitting, Hose	1
	578904000	Handle, Assy	1
10	578155000	Handle, Wand	1
11	578211000	Screw	2
12	578154000	Bracket, Handle	1

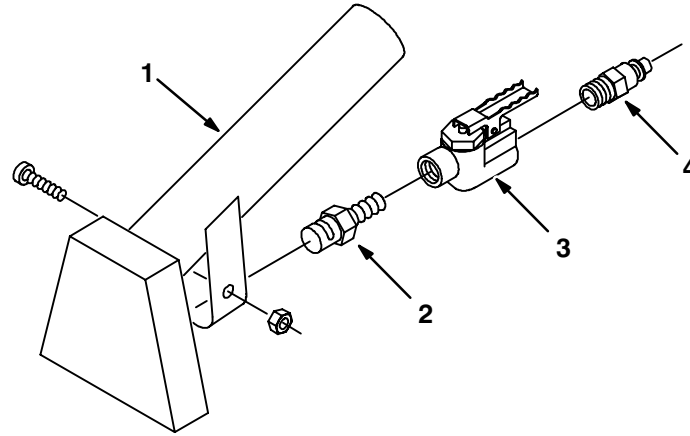
Hard Floor Wand



Hard Floor Wand

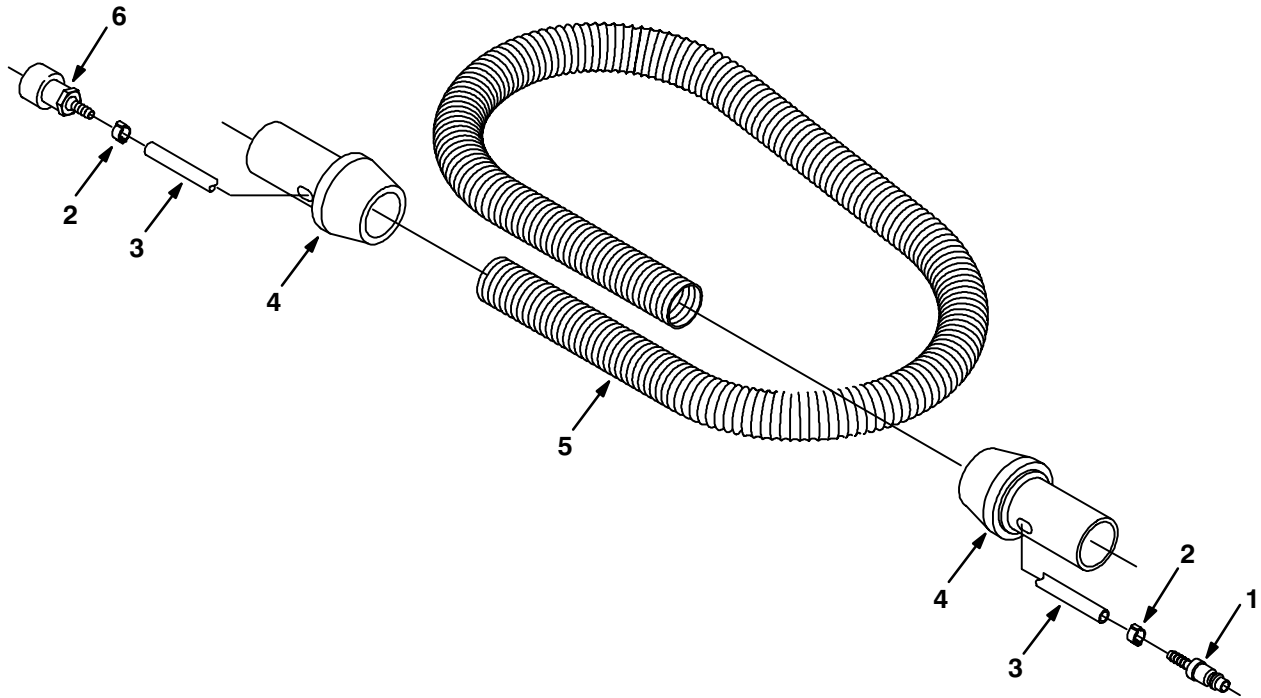
Ref	Part No.	Description	Qty.
▽	578905000	Wand Assy	1
▲ 1	578060000	Wand, Double Bend	1
▲ 2	578077000	Bracket, Valve	1
▲ 3	578061000	Adapter	2
▲ 4	578214000	Fitting, Elbow	1
▲ 5	579112	Adapter, Nozzle	1
▲ 6	579198	Rivet, Pop	2
▲ 7	578066000	Nozzle, Spray	1
▲ 8	578073000	Brush, Wand Att.	1
▲ 9	578063000	Head, Wand	1
▲ 10	578078000	Retainer, Squeegee	2
▲ 11	578074000	Blade, Squeegee	2
▲ 12	578124000	Bracket, Axle	1
▲ 13	578439	Nut, Thumb	1
▲ 14	578228000	Spring, Compres	1
▲ 15	578143000	Stud, Adjust.	1
▲ 16	578126000	Axle, Wand	1
▲ 17	578125000	Wheel, Guide	2
▲ 18	578123000	Bracket, Axle	1
▲ 19	578155000	Handle, Wand	1
▲ 20	578154000	Bracket, Handle	1
▲ 21	578091000	Male Quick-Conn.	1
▲ 22	578164000	Grommet	1
▲ 23	578821000	Hose, Solution	1
▲ 24	578161000	Clamp, Hose	2
▲ 25	578094000	Pipe, barb	1
▲ 26	578064000	Valve, Water	1
▲ 27	150208	Fitting, Plug	1

Upholstery Tool



Ref	Part No.	Description	Qty.
▽ 1	575584	Upholstery Tool	1
▲ 2	575519000	Nozzle	1
▲ 3	578064000	Valve, Water	1
▲ 4	578091000	Plug, Quick Conn.	1

Hose Assembly



Ref	Part No.	Description	Qty.
▽	578903000	Hose Assy	1
▲ 1	578318000	Fitting, Quick conn.	1
▲ 2	578160000	Clamp, hose	2
▲ 3	578820000	Hose	1
▲ 4	578072000	Cuff, swivel	2
▲ 5	578276000	Hose, vacuum	1
▲ 6	578071000	Connector, quick F.	1