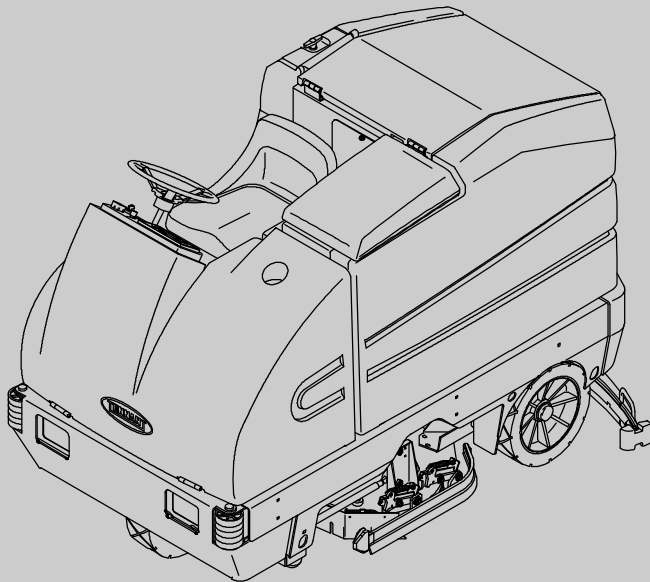




7300

Rider Scrubber Parts Manual



FAST
Foam Scrubbing Technology

The Safe Scrubbing Alternative®

ES® Extended Scrub System

TennantTrue™ Parts and Supplies

ecH2O™
ELECTRICALLY CONVERTED WATER

North America / International

www.tennantco.com

330610
Rev. 14 (2-2010)



When ordering replacement parts, use the illustrated parts list section in this manual. Before ordering parts or supplies, be sure to have your machine model number and serial number available. Only use TENNANT Company supplied or equivalent parts. Parts and supplies may be ordered online, by phone, or mail from any authorized parts and service center, distributor or from any of the manufacturer's subsidiaries.

This machine will provide excellent service. However, the best results will be obtained at minimum costs if:

- The machine is operated with reasonable care.
- The machine is maintained regularly - per the machine maintenance instructions provided.
- The machine is maintained with manufacturer supplied or equivalent parts.

MACHINE DATA

Please fill out at time of installation for future reference.

Model No.- _____

Serial No.- _____

Machine Options - _____

Sales Rep. - _____

Sales Rep. phone no. - _____

Customer Number - _____

Installation Date - _____

Machine Data Plate



Tennant Company
PO Box 1452
Minneapolis, MN 55440
Phone: (800) 553-8033 or (763) 513-2850
www.tennantco.com

Thermo-Sentry, SmartRelease, SuperScrub, and MaxPro are US registered and unregistered trademarks of Tennant Company.

Specifications and parts are subject to change without notice.

Copyright © 2000 - 2002, 2004 - 2010 TENNANT Company, Printed in U.S.A.

HOW TO USE THIS MANUAL

This section on *HOW TO USE THIS MANUAL* will tell you how to:

- Find important machine information for ordering correct repair parts.
- Find TENNANT part numbers.
- Order TENNANT parts and supplies.

IMPORTANT INFORMATION

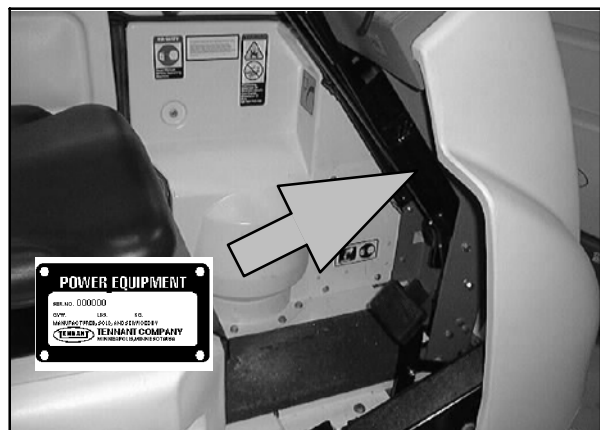
When placing an order for parts, the machine model and machine serial number are important. Refer to the *MACHINE DATA* box which is filled out during the installation of your machine. The *MACHINE DATA* box is located on the inside of the front cover of this manual.

MACHINE DATA - MASCHINEN-DATEN - DONNEES CONCERNANT LA MACHINE
<small>Please fill out at time of installation for future reference. Bitte bei Inbetriebnahme der Maschine ausfüllen für zukünftige Referenz. Veuillez compléter au moment de la mise en service comme référence future.</small>
Machine Model Number - 7300 Maschinen Modell - 7300 Numéro de modèle de la machine - 7300
Machine Serial Number - _____ Maschinen Serien Nummer - _____ Numéro de série de la machine - _____
Machine Options - _____ Maschinen Optionen - _____ Options de la machine - _____
TENNANT Representative Name - _____ TENNANT Vertretung (Cf. fig. 2) - _____ Nom de l'installateur représentant TENNANT - _____
Customer ID Number - _____ Kunden Nummer - _____ Numéro d'identification du client - _____
Date of Installation - _____ Installationsdatum - _____ Date d'installation - _____
Manual Number - 330610 Handbuch Bestell Nummer - 330610 Numéro du manuel - 330610
Revision: 00 Print Number: 00 Révision: 00
Published: 5-00 Ausgabe: 5-00 Date de publication: 5-00

The model number of your machine is on the side of the machine.



The serial number of your machine is printed on the machine data plate located as shown.



HOW TO USE THIS MANUAL

FINDING A TENNANT PART NUMBER

This manual contains the following sections:

- HOW TO USE THIS MANUAL
- STANDARD PARTS
- OPTIONS
- BREAKDOWNS
- CROSS REFERENCE

The STANDARD PARTS section lists repair parts for standard machines. They are grouped in this general order:

- General wear parts.
- Machine frame and related parts.
- Machine propelling system.
- Scrubbing components.
- Electrical parts.

The OPTION section lists repair parts of options.

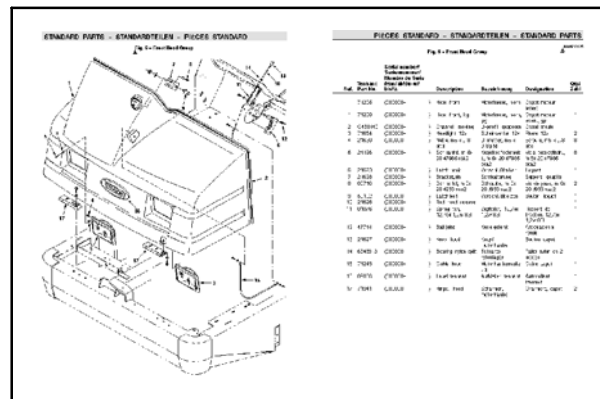
The BREAKDOWN section lists available repair parts of major components.

All sections in this manual consist of parts illustrations and corresponding parts lists.

The parts illustrations are numbered with **Ref** numbers which refer to corresponding parts lists.

The parts lists include a number of columns of information:

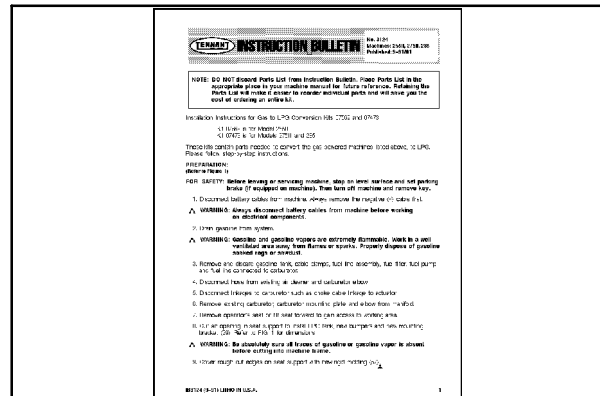
- **Ref** - column refers to the reference number on the parts illustration.
- ▽ - indicates the part is an assembly.
- ▲ - indicates the part is included in the assembly listed just before it.
- **TENNANT Part No.** - column lists the TENNANT part number for the part.
- **Serial Number** - column indicates the set of machines the part number is applicable to. Serial numbers change when the machine design has been modified. The most current design of the machine is shown in the main illustration, older designs are boxed in a corner of the illustration.
- **Description** - column is a brief description of the part.
- **Qty.** - column lists the quantity of that part used in that area of the machine.



Ref.	Tennant Part No.	Serial number/ Seriennummer/ Número de Serie from/ab/du-to/ bis/à	Description	Bezeichnung	Designation	Qty/ Zahl
▽	1 87365	(000000-)	Gearbox	Getriebe	Boîte de vitesses	1
▲	2 87040	(000000-)	O-ring	O-ring	Joint torique	2
▲	3 87041	(000000-)	Flug	Stopfen	Douillon	2
▲	4 87839	(000000-)	Flg-ansa, 106.997	Schmierrippe, 106.997	Graisseur, 106.997	2
▲	6 87849	(000000-)	Driving gear	Getriebe	Mécanisme d'entraînement	1
▲	6 12640	(000000-)	Bolt, wheel	Radbolzen	Boulon roue	6
▲	7 81791	(000000-)	Bearing and housing	Lagergehäuse	Boîtier roulement	1
6	12646	(000000-)	Seal o-ring	O-ring-dichtung	Joint torique d'étanchéité	1
9	80198	(000000-)	Motor, traction 36v	Motor traction 36v	Motor traction 36v	1
10	02076	(000000-)	Cover, terminal ung	Batteriepolabdeck ung	Cache pôle batterie	4

NOTE: If a service kit is installed on your machine, be sure to keep the **INSTRUCTION BULLETIN** which came with the kit. It contains repair parts numbers needed for ordering future parts.

NOTE: Fasteners used in this machine may be metric or non-metric. Take care when replacing hardware to replace with same thread size.



PLACING AN ORDER

Orders may be placed by phone, fax, or by mail. Phone orders may need written confirmation. Follow the steps below to insure prompt delivery:

1. Identify the model number of your machine.
2. Identify the serial number of your machine.
3. Find the part number of the part you need. Do not order by page number or reference number. If you are not able to find the part number, call your TENNANT representative for help or send the old part as a sample.
4. Determine the quantity of the part you need.
5. Provide the following company information:
 - Company name
 - Customer ID Number
 - Shipping address
 - Billing address
 - First and last name of person ordering parts
 - Telephone number
 - Purchase order number
6. Provide definitive shipping instructions.

HOW TO USE THIS MANUAL

Any claim for loss or damage to a shipment in transit should be filed promptly with the transportation company making the delivery. Shipments will be complete unless the packing list or order acknowledgement indicates items back ordered.

If parts received are suspected to be incorrect or defective, please contact the TENNANT representative from whom you ordered the part. They will give authorization for return and/or handle replacement shipments when required.

SECTION 2

Contents	Page
Fig. 1 - General Recommended Maintenance Items	2-2
Fig. 2 - Brushes, Replacement for MaxPro 1000	2-4
Fig. 3 - Brushes, Replacement for MaxPro 1200	2-6
Fig. 4 - Main Frame Group	2-8
Fig. 5 - Covers Group, Front	2-10
Fig. 6 - Covers Group, Rear	2-12
Fig. 7 - Electrical Instrument Panel Group	2-14
Fig. 8 - Steering Group	2-16
Fig. 9 - Seat Group	2-18
Fig. 10 - Directional Control Group	2-20
Fig. 11 - Wheel Group, Front Drive	2-22
Fig. 12 - Brake Pedal Group	2-24
Fig. 13 - Wheel And Brake Group, Rear	2-26
Fig. 14 - Solution Tank Group	2-28
Fig. 15 - FaST Solution Pump Group (000000-003746)	2-30
Fig. 16 - FaST Air Pump and Detergent Group (000000-003746)	2-32
Fig. 17 - FaST Foam Filter Group (000000-003746)	2-34
Fig. 18 - FaST Pumps and Detergent Group (003747-)	2-36
Fig. 19 - Solution Control Group	2-38
Fig. 20 - Recovery Tank Group	2-40
Fig. 21 - Recovery Tank Drain Assembly	2-42
Fig. 22 - Vacuum Fan Group	2-44
Fig. 23 - Scrub Head Lift Group	2-46
Fig. 24 - Max Pro 1000 (Disc-Brush) Scrub Head Frame Group	2-48
Fig. 25 - Max Pro 1000 (Disc-Brush) Scrub Head Linkage Group	2-50
Fig. 26 - Max Pro 1000 (Disc-Brush) Solution Valve Group	2-52
Fig. 27 - Max Pro 1000 (Disc-Brush) Solution Valve Group (FaST/ec-H2O)	2-54
Fig. 28 - Max Pro 1000 (Disc-Brush) Edge Scrub Group	2-56
Fig. 29 - Max Pro 1000 (Disc-Brush) Right Side Squeegee Group	2-58
Fig. 30 - Max Pro 1000 (Disc-Brush) Left Side Squeegee Group	2-60
Fig. 31 - Squeegee Linkage Group, Rear	2-62
Fig. 32 - Squeegee Lift Group, Rear	2-64

Contents	Page
Fig. 33 - Max Pro 1000 Rear Squeegee Group (000000-004999)	2-66
Fig. 34 - Max Pro 1000 Rear Squeegee Group (005000-)	2-68
Fig. 35 - Electrical Control Box Circuit Breaker Group	2-70
Fig. 36 - Electrical Control Box Contactor Group (000000- 001705)	2-72
Fig. 37 - Electrical Control Box Contactor Group (001706-)	2-74
Fig. 38 - Electrical Control Box Wires Group (000000- 001705)	2-76
Fig. 39 - Eleactrical Control Box Wires Group (001706-)	2-78
Fig. 40 - Electrical Circuit Board Group	2-80
Fig. 41 - Electrical Group, FaST (000000-003746)	2-82
Fig. 42 - Electrical Group, FaST (003747-)	2-83
Fig. 43 - Electrical Schematic (000000-003746)	2-84
Fig. 44 - Electrical Schematic (003747-)	2-88
Fig. 45 - Electrical Wire Harness Group, Main	2-93
Fig. 46 - Electrical Wire Harness Group, FaST (000000-003746)	2-103
Fig. 47 - Electrical Wire Harness Group, FaST (003747-)	2-104
Fig. 48 - Label Group	2-105

STANDARD PARTS

Fig. 1 - General Recommended Maintenance Items

Ref.	Tennant Part No.	Machine Serial Number	Description	Qty.
	387660	(000000-) Tire Assy, Solid, 16.2x6.0 5.7bc/5bolt	1
	387014	(000000-) Tire Assy, 16 X 5 X 12.12	2
	66213	(000000-) Kit, Brake	2
	66211	(000000-) Brake Shoes	2
	1037822	(000000-) Filter, Panl, Dust, 2.0 X 06.1 X 07.6	1
	387023	(000000-) Hose, Vacuum	1
	386267	(000000-) Hose, Vacuum, 91.0l	1
	20833	(000000-) Wheel, 3.0d 1.38w 0.50b	2
	223044	(000000-) Headlight, 36vdc, 15cp 0.7a [#0534242]	2
	386053	(000000-) Belt, Drive (Cylindrical Brush)	1
	71101	(000000-) Cable, .12d, 13.3l, .2clevis/.2clevis	1
▽	386020	(000000-) Kit, Maint, 800hr, [7300-Mp1000-Disk]	1
▲	386284	(000000-) Blade, Sqge, Rear	1
▲	386283	(000000-) Blade, Sqge, Front	1
▲	386387	(000000-) Skirt, Front, Scrub Head, 2-Brush, Ele	1
▲	386388	(000000-) Skirt, Rear, Scrub Head, 2-Brush, Ele	1
▲	387294	(000000-) Skirt, Side, Scrbr Head, Ele	1
▲	386260	(000000-) Squeegee, Side	1
▲	20833	(000000-) Wheel, 3.0d 1.38w 0.50b	1
▲	71101	(000000-) Cable, .12d, 13.3l, .2clevis/.2clevis	1
▲	387023	(000000-) Hose, Vacuum	1
▲	386267	(000000-) Hose, Vacuum, 91.0l	1
▲	1037822	(000000-) Filter, Panl, Dust, 2.0 X 06.1 X 07.6	1
▲	66213	(000000-) Kit, Brake	1
▲	386223	(000000-) Gasket, Tank, Recovery	1
▲	79320	(000000-) Gasket, Cap, Drain	1
▲	223264	(000000-) Seal, Rbr, Clsd, 0.25th, 5.8d 03.3h	1
▲	386323	(000000-) Gasket, Mtg, Fan	1
▽	386021	(000000-) Kit, Maint, 800hr, [7300-Mp1200-Disk]	1
▲	386834	(000000-) Blade, Sqge, Rear 48.0l	1
▲	386833	(000000-) Blade, Sqge, Front 48.0l	1
▲	386825	(000000-) Skirt, Front, Scrub Head, 3-Brush, Ele	1
▲	386826	(000000-) Skirt, Rear, Scrub Head, 3-Brush, Ele	1
▲	386260	(000000-) Squeegee, Side	1
▲	20833	(000000-) Wheel, 3.0d 1.38w 0.50b	1
▲	71101	(000000-) Cable, .12d, 13.3l, .2clevis/.2clevis	1
▲	387023	(000000-) Hose, Vacuum	1
▲	386267	(000000-) Hose, Vacuum, 91.0l	1
▲	1037822	(000000-) Filter, Panl, Dust, 2.0 X 06.1 X 07.6	1
▲	66213	(000000-) Kit, Brake	1
▲	386223	(000000-) Gasket, Tank, Recovery	1
▲	79320	(000000-) Gasket, Cap, Drain	1
▲	223264	(000000-) Seal, Rbr, Clsd, 0.25th, 5.8d 03.3h	1
▲	386323	(000000-) Gasket, Mtg, Fan	1

Fig. 1 - General Recommended Maintenance Items

Ref.	Tennant Part No.	Machine Serial Number	Description	Qty.
▽	386022	(000000-) Kit, Maint, 800hr, [7300-Mp1000-Cyl]	1
▲	386284	(000000-) Blade, Sqge, Rear	1
▲	386283	(000000-) Blade, Sqge, Front	1
▲	20833	(000000-) Wheel, 3.0d 1.38w 0.50b	1
▲	71101	(000000-) Cable, .12d, 13.3l, .2clevis/.2clevis	1
▲	387023	(000000-) Hose, Vacuum	1
▲	386267	(000000-) Hose, Vacuum, 91.0l	1
▲	386053	(000000-) Belt, Drive	1
▲	1037822	(000000-) Filter, Panl, Dust, 2.0 X 06.1 X 07.6	1
▲	66213	(000000-) Kit, Brake	1
▲	386223	(000000-) Gasket, Tank, Recovery	1
▲	79320	(000000-) Gasket, Cap, Drain	1
▲	223264	(000000-) Seal, Rbr, Clsd, 0.25th, 5.8d 03.3h	1
▲	386323	(000000-) Gasket, Mtg, Fan	1
▽	386023	(000000-) Kit, Maint, 800hr, [7300-Mp1200-Cyl]	1
▲	386834	(000000-) Blade, Sqge, Rear 48.0l	1
▲	386833	(000000-) Blade, Sqge, Front 48.0l	1
▲	20833	(000000-) Wheel, 3.0d 1.38w 0.50b	1
▲	71101	(000000-) Cable, .12d, 13.3l, .2clevis/.2clevis	1
▲	387023	(000000-) Hose, Vacuum	1
▲	386267	(000000-) Hose, Vacuum, 91.0l	1
▲	386053	(000000-) Belt, Drive	1
▲	1037822	(000000-) Filter, Panl, Dust, 2.0 X 06.1 X 07.6	1
▲	66213	(000000-) Kit, Brake	1
▲	386223	(000000-) Gasket, Tank, Recovery	1
▲	79320	(000000-) Gasket, Cap, Drain	1
▲	223264	(000000-) Seal, Rbr, Clsd, 0.25th, 5.8d 03.3h	1
▲	386323	(000000-) Gasket, Mtg, Fan	1
▽	387506	(000000-) Kit, Maint, 800hr [7300-Mp1200-Disk-Vac]	1
▲	386284	(000000-) Blade, Sqge, Rear	1
▲	386283	(000000-) Blade, Sqge, Front	1
▲	386285	(000000-) Clamp Wldt, Front	1
▲	386286	(000000-) Clamp Wldt, Rear	1
▲	386260	(000000-) Squeegee, Side	1
▲	20833	(000000-) Wheel, 3.0d 1.38w 0.50b	1
▲	71101	(000000-) Cable, .12d, 13.3l, .2clevis/.2clevis	1
▲	387023	(000000-) Hose, Vacuum	1
▲	386514	(000000-) Hose, Vacuum, 58.5l	1
▲	1005026	(001703-) Kit, Modif, Ftg Location, [Discvac]	1
▲	11399	(000000-) Clamp, Hose, Wormdrive, 0.81-1.50d	1
▲	387545	(000000-) Blade Assy, Sqge, Side	1
▲	387546	(000000-) Blade, Squeegee	1
▲	386326	(000000-) Filter, Fan	1
▲	66213	(000000-) Kit, Brake	1
▲	386223	(000000-) Gasket, Tank, Recovery	1
▲	79320	(000000-) Gasket, Cap, Drain	2
▲	223264	(000000-) Seal, Rbr, Clsd, 0.25th, 5.8d 03.3h	1
▲	386323	(000000-) Gasket, Mtg, Fan	1
▲	387256	(000000-001702)) Hose, Vacuum, 35.0l	1
▲	387517	(000000-001702)) Hose Assy, W/2 Cuff, 1.0d 41.0l	1

Fig. 2 - Brushes, Replacement for MaxPro 1000

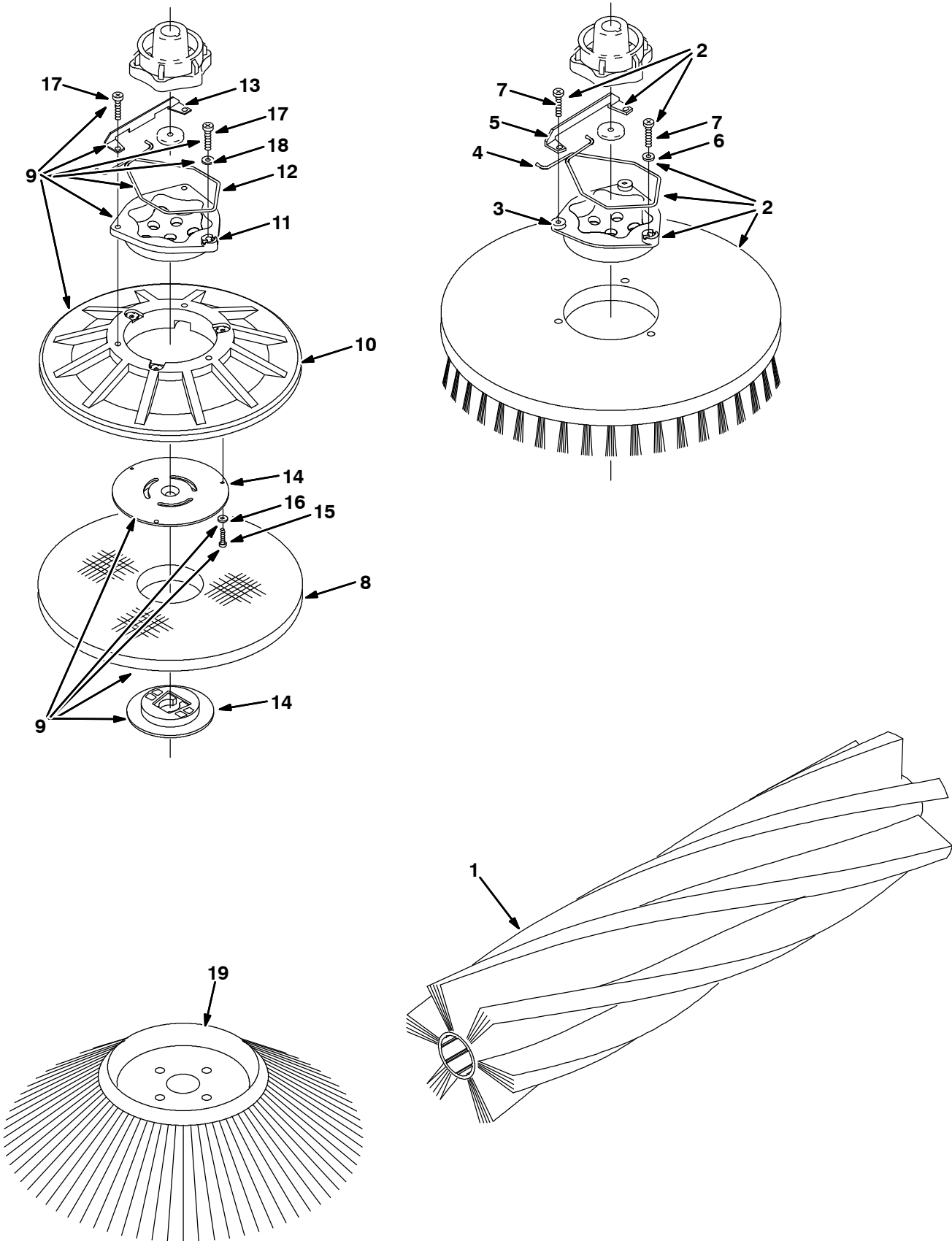


Fig. 2 - Brushes, Replacement for MaxPro 1000

Ref.	Tennant Part No.	Machine Serial Number	Description	Qty.
	1 386230	(000000-) Brush, Scrub, 39l, 20sr, Pyp, Spl	2
	1 386240	(000000-) Brush, Scrub, 39l, 20sr, Super Abr, Spl	2
	1 386250	(000000-) Brush, Scrub, 39l, 20sr, Nyl, Spl	2
▽	2 14967	(000000-) Brush Assy, Disk, Scb, 20.0 D, Nyl	2
▲	3 15539	(000000-) Adaptor, Brush	1
▲	4 14838	(000000-) Spring, Wir, 0.16d, Brush Retaining	1
▲	5 24299	(000000-) Bracket, Retainer, Spring	1
▲	6 01684	(000000-) Washer, Flt, .25 Ss	1
▲	7 32746	(000000-) Screw, Pan, M06 X 1.0 X 35, Ss	3
▽	2 14953	(000000-) Brush Assy, Disk, Scb, 20.0 D, Pyp	2
▲	3 15539	(000000-) Adaptor, Brush	1
▲	4 14838	(000000-) Spring, Wir, 0.16d, Brush Retaining	1
▲	5 24299	(000000-) Bracket, Retainer, Spring	1
▲	6 01684	(000000-) Washer, Flt, .25 Ss	1
▲	7 32746	(000000-) Screw, Pan, M06 X 1.0 X 35, Ss	3
▽	2 378951	(000000-) Brush Assy, Disk, Scb, 20.0 D, Super Abr	2
▲	3 15539	(000000-) Adaptor, Brush	1
▲	4 14838	(000000-) Spring, Wir, 0.16d, Brush Retaining	1
▲	5 24299	(000000-) Bracket, Retainer, Spring	1
▲	6 01684	(000000-) Washer, Flt, .25 Ss	1
▲	7 32746	(000000-) Screw, Pan, M06 X 1.0 X 35, Ss	3
	8 17260	(000000-) Pad, Polish, 20.0d, White	2
	8 17261	(000000-) Pad, Buff, 20.0d, Red	2
	8 17262	(000000-) Pad, Scrub, 20.0d, Blue	2
	8 17263	(000000-) Pad, Strip, 20.0d, Brown	2
	8 370094	(000000-) Pad, Stripping, 20.0D[Hi Prod,Black	2
	8 1051030	(000000-) Pad, Surf Prep, 20.0D [Mar, 1Pick=1Pad]	2
▽	9 397920	(000000-) Driver Assy, Pad, 20.0D	2
▲	10 370080	(000000-) Disk, Pad Drive, W/ Face, 20d	1
▲	11 15539	(000000-) Adaptor, Brush	1
▲	12 14838	(000000-) Spring, Wir, 0.16d, Brush Retaining	1
▲	13 24299	(000000-) Bracket, Retainer, Spring	1
▲	14 370090	(000000-) Device, Centering	1
▲	15 09198	(000000-) Screw, Pan, M04 X 0.7 X 35, Ss	3
▲	16 41579	(000000-) Washer, Flt, #08 Ss	3
▲	17 32746	(000000-) Screw, Pan, M06 X 1.0 X 35, Ss	3
▲	18 01684	(000000-) Washer, Flt, .25 Ss	1
	19 87419	(000000-) Brush, Disk, Swp, 19.0D, Pyp (Option)	1

Fig. 3 - Brushes, Replacement for MaxPro 1200

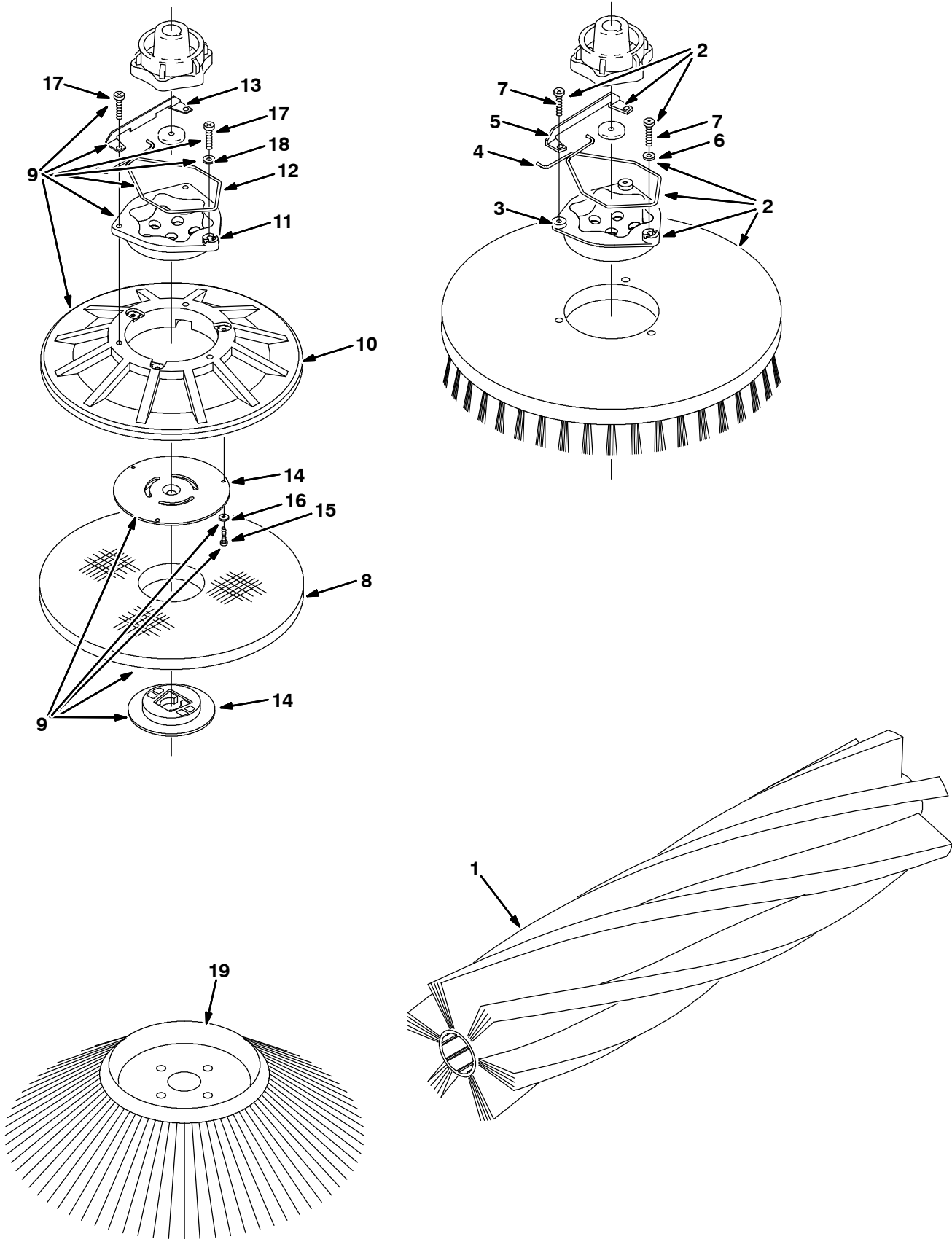


Fig. 3 - Brushes, Replacement for MaxPro 1200

Ref.	Tennant Part No.	Machine Serial Number	Description	Qty.
	1	386231	(000000-) Brush, Scrub, 47l, 20sr, Pyp, Spl	2
	1	386241	(000000-) Brush, Scrub, 47l, 20sr, Super Abr, Spl	2
	1	386251	(000000-) Brush, Scrub, 47l, 20sr, Nyl, Spl	2
▽	2	1042504	(000000-) Brush Assy, Disk, Scb, 16.0D, Super Abrasive	3
▲	3	1017368	(000000-) Hub, Drive, Brush, Disk, 3 Hole 5.8Bc	1
▲	4	14838	(000000-) Spring, Wir, 0.16d, Brush Retaining	1
▲	5	24299	(000000-) Bracket, Retainer, Spring	1
▲	6	01684	(000000-) Washer, Flt, .25 Ss	1
▲	7	32746	(000000-) Screw, Pan, M06 X 1.0 X 35, Ss	3
▽	2	1042499	(000000-) Brush Assy, Disk, Scb, 16.0D, Nylon	3
▲	3	1017368	(000000-) Hub, Drive, Brush, Disk, 3 Hole 5.8Bc	1
▲	4	14838	(000000-) Spring, Wir, 0.16d, Brush Retaining	1
▲	5	24299	(000000-) Bracket, Retainer, Spring	1
▲	6	01684	(000000-) Washer, Flt, .25 Ss	1
▲	7	32746	(000000-) Screw, Pan, M06 X 1.0 X 35, Ss	3
▽	2	30241	(000000-) Brush Assy, Disk, Scb, 16.0 D, Pyp	3
▲	3	1017368	(000000-) Hub, Drive, Brush, Disk, 3 Hole 5.8Bc	1
▲	4	14838	(000000-) Spring, Wir, 0.16d, Brush Retaining	1
▲	5	24299	(000000-) Bracket, Retainer, Spring	1
▲	6	01684	(000000-) Washer, Flt, .25 Ss	1
▲	7	32746	(000000-) Screw, Pan, M06 X 1.0 X 35, Ss	3
	8	63248-1	(000000-) Pad, Strip, 16.0d, Brown	3
	8	63248-2	(000000-) Pad, Scrub, 16.0d, Blue	3
	8	63248-3	(000000-) Pad, Buff, 16.0d, Red	3
	8	63248-4	(000000-) Pad, Polish, 16.0d, White	3
	8	370092	(000000-) Pad, Stripping, 16.0d[Hi Prod,Black	3
	8	1051027	(000000-) Pad, Surf Prep, 16.0d [Mar, 1pick=1pad]	3
▽	9	397916	(000000-) Driver Assy, Pad, 16D	3
▲	10	397976	(000000-) Disk, Pad Driver, W/Face, 16D	1
▲	11	15539	(000000-) Adaptor, Brush	1
▲	12	14838	(000000-) Spring, Wir, 0.16d, Brush Retaining	1
▲	13	24299	(000000-) Bracket, Retainer, Spring	1
▲	14	370095	(000000-) Device, Centering	1
▲	15	09198	(000000-) Screw, Pan, M04 X 0.7 X 35, Ss	3
▲	16	41579	(000000-) Washer, Flt, #08 Ss	3
▲	17	32746	(000000-) Screw, Pan, M06 X 1.0 X 35, Ss	3
▲	18	01684	(000000-) Washer, Flt, .25 Ss	1
	19	87419	(000000-) Brush, Disk, Swp, 19.0D, Pyp (Option)	1

Fig. 4 - Main Frame Group

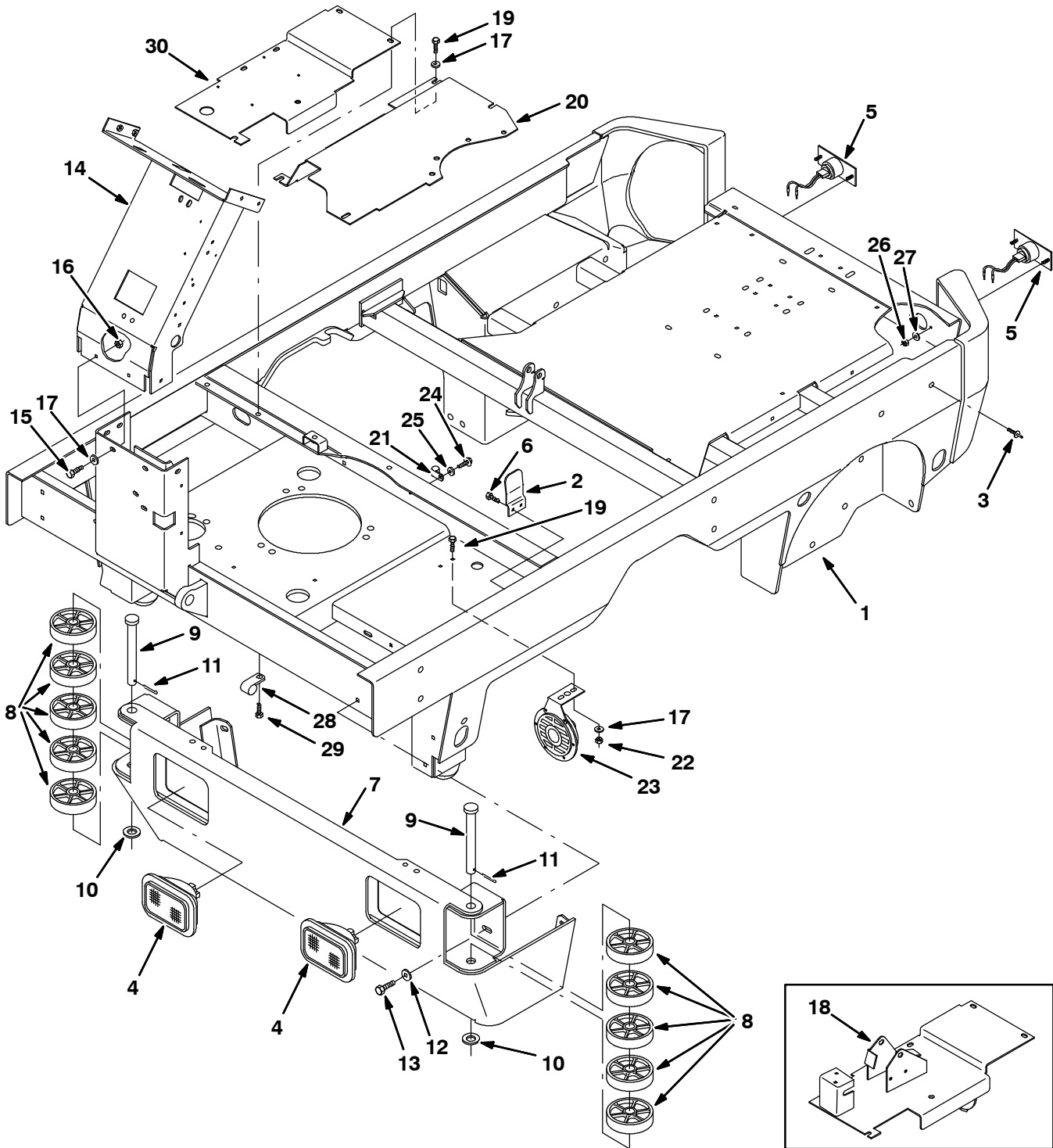


Fig. 4 - Main Frame Group

Ref.	Tennant Part No.	Machine Serial Number	Description	Qty.	
1	386200	(000000-004999)	Frame	1	
1	1056383	(005000-	Frame Wldt, Main, Iron Gray [7300/8300]	1	
2	386923	(000000-004999)	Plate, Cover	1	
2	1056496	(005000-	Plate, Cover, Iron Gray	1	
3	365252	(000000-	Rivet, Plstc, .25 D X 0.75	24	
▽	4	223044	(000000-	Headlight, 36vdc, 15cp, 0.7a	2
▲		360518	(000000-	Lamp, 36vdc, 32cp, .72a	1
▽	5	87346	(000000-	Taillight, 12vdc, 3.6 X 1.9, Rework 87277	2
▲		87948	(000000-	Lamp	1
▲		87949	(000000-	Lampholder	1
	6	06943	(000000-	Screw, Hex, M06 X 1.0 X 20, 8.8	2
	7	386480	(000000-004999)	Bumper Wldt	1
	7	1056786	(005000-	Bumper Wldt, Iron Gray	1
	8	364085	(000000-	Wheel, 4.0d 0.98w 0.78b	10
	9	51414	(000000-	Pin, Clevis, 0.75 D X 6.50l	2
	10	39350	(000000-	Washer, Flt, .75 Sae	2
	11	08236	(000000-	Pin, Cotter, .156 X 1.25	2
	12	01685	(000000-	Washer, Flt, .31 Ss	8
	13	09740	(000000-	Screw, Hex, M08 X 1.25 X 20, Ss	8
	14	386450	(000000-004999)	Channel Wldt, Steering	1
	14	1056387	(005000-	Channel Wldt, Steering, Iron Gray	1
	15	16931	(000000-	Screw, Hex, M08 X 1.25 X 20, 8.8	5
	16	08709	(000000-	Nut, Hex, Lock, M08 X 1.25,NI	5
	17	32491	(000000-	Washer, Flt, .31 Std	12
	18	386157	(000000-001946)	Plate Wldt, Floor	1
	19	16735	(000000-	Screw, Hex, M08 X 1.25 X 16, 8.8	12
	20	386159	(000000-004999)	Plate, Floor, Upper	1
	20	1056465	(005000-	Plate, Floor, Upper, Iron Gray	1
	21	67767	(000000-	Clamp, Cable, Stl, 0.69d X 0.62w, 1h	1
	22	07791	(000000-	Nut, Hex, Flng, M08 X 1.25	2
	23	369702	(000000-	Horn, 36vdc, Dba	1
	24	12459	(000000-	Screw, Hex, M06 X 1.0 X 20, Fmg	1
	25	01684	(000000-	Washer, Flt, .25 Ss	1
	26	01713	(000000-	Nut, Hex, Lock, M05 X 0.8, Ni	4
	27	32980	(000000-	Washer, Lock, Int, #10	4
	28	67767	(000000-	Clamp, Cable, Stl, 0.69d X 0.62w, 1h	2
	29	361339	(000000-	Screw, Hex, M06 X 1.0 X 16, Fmg	2
	30	387654	(001947-004999)	Plate, Floor	1
	30	1056809	(005000-	Plate, Floor, Iron Gray	1

Fig. 5 - Covers Group, Front

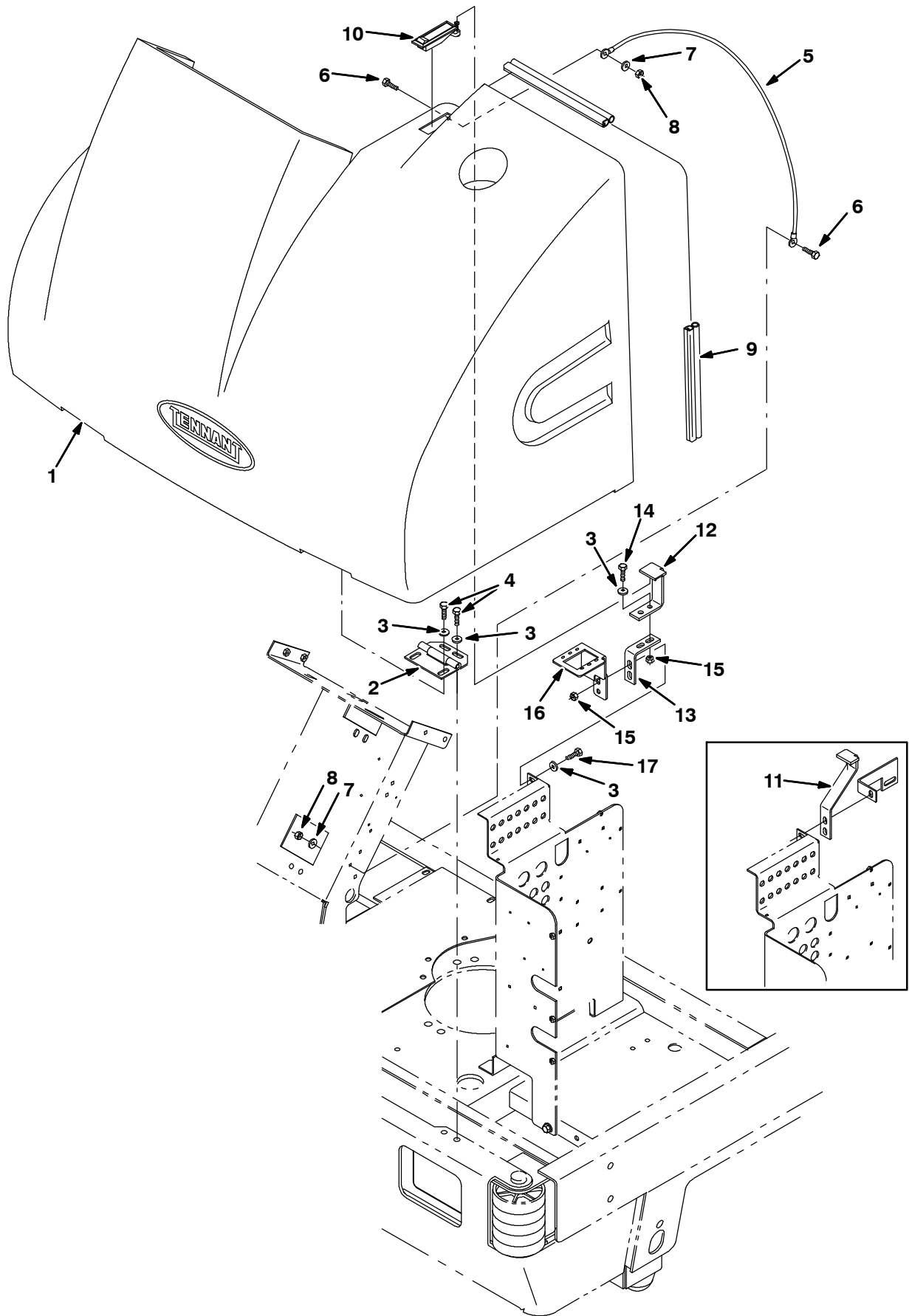


Fig. 5 - Covers Group, Front

Ref.	Tennant Part No.	Machine Serial Number	Description	Qty.
1	386120	(000000-004999)	Cover, Front	1
1	1056432	(005000-	Cover, Front, Teal	1
2	386124	(000000-	Hinge, .38pin .11 3.5w 04.0l 4/0.38slot	2
3	32491	(000000-	Washer, Flt, .31 Std	12
4	49826	(000000-	Screw, Hex, M08 X 1.25 X 16, Ss, NI	8
5	387021	(000000-	Cable Assy	1
6	06943	(000000-	Screw, Hex, M06 X 1.0 X 20, 8.8	2
7	32483	(000000-	Washer, Flt, .25 Sae	2
8	08708	(000000-	Nut, Hex, Lock, M06 X 1.0, NI	2
9	387033	(000000-	Seal, Bulb, [Sd-504], 48.70l	1
10	64533	(000000-	Latch, Trigger	1
11	387460	(000000-001154)	Kit, Replmt, Bracket, F/386211	1
12	387450	(001155-004999)	Bracket, Latch, Cover	1
12	1056483	(005000-	Bracket, Latch, Cover, Iron Gray	1
13	387451	(001155-004999)	Bracket, Latch, Cover	1
13	1056484	(005000-	Bracket, Latch, Cover, Iron Gray	1
14	16931	(001155-	Screw, Hex, M08 X 1.25 X 20, 8.8	2
15	08709	(001155-	Nut, Hex, Lock, M08 X 1.25,NI	2
16	387634	(001706-004999)	Bracket, Mtg, Circuitbreaker, [Hi-Mag]	1
16	1056487	(005000-	Bracket, Mtg, Circuitbreaker [Hi-Mag]	1
17	76570	(001706-	Screw, Hex, M 8 X 1.25 X 30, 8.8	2

Fig. 6 - Covers Group, Rear

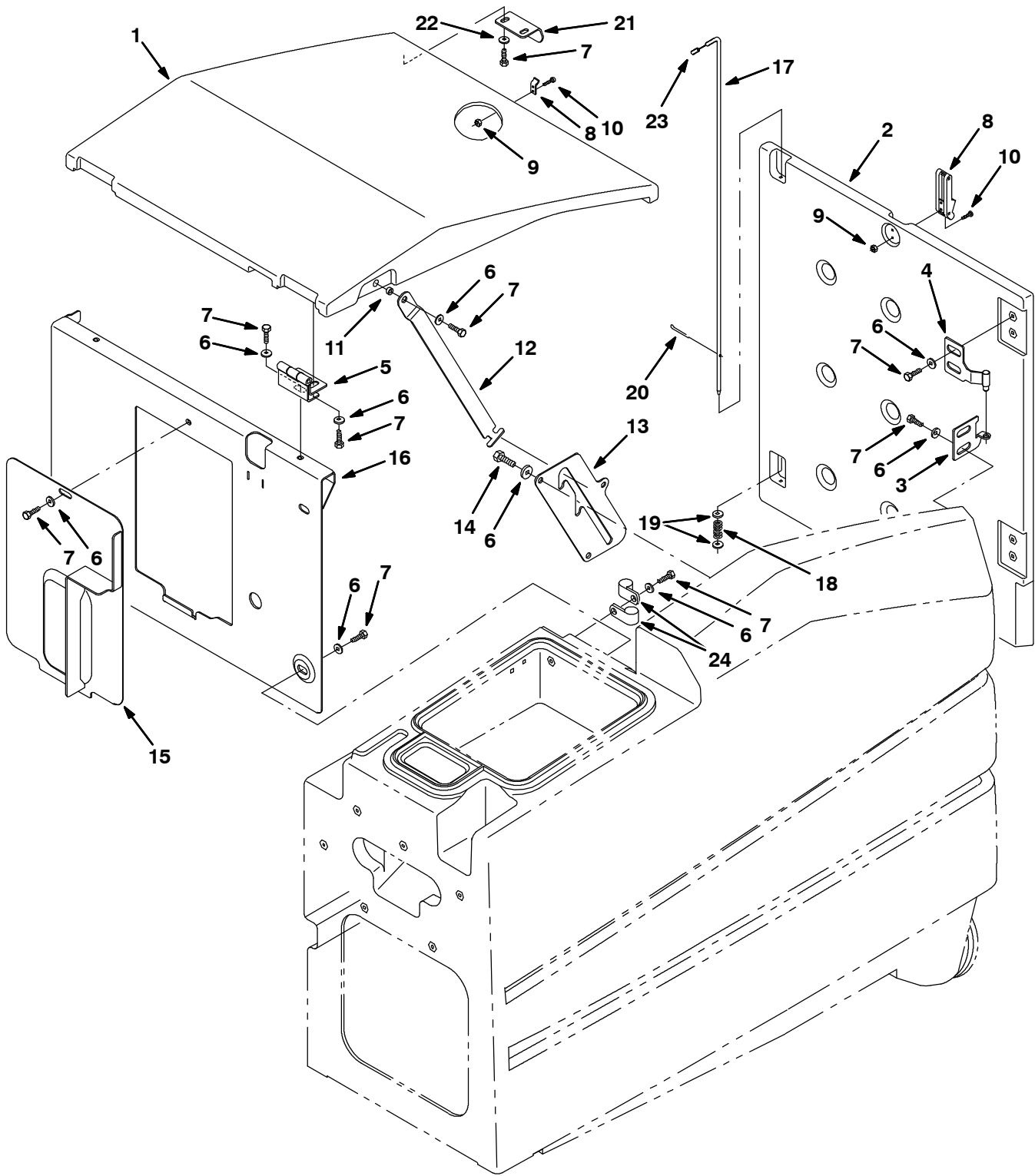


Fig. 6 - Covers Group, Rear

Ref.	Tennant Part No.	Machine Serial Number	Description	Qty.
1	386201	(000000-004999)	Cover, Tank, Top	1
1	1056433	(005000-	Cover, Tank, Top, Teal	1
2	386202	(000000-004999)	Cover, Rear	1
2	1056434	(005000-	Cover, Rear, Teal	1
3	386993	(000000-004999)	Plate, Hinge	2
3	1056479	(005000-	Plate, Hinge, Iron Gray	2
4	386995	(000000-004999)	Hinge Wldt, W/ Pin	2
4	1056388	(005000-	Hinge Wldt, W/ Pin, Iron Gray	2
5	386437	(000000-004999)	Hinge Assy	2
5	1056475	(005000-	Hinge Assy, Iron Gray	2
6	01685	(000000-	Washer, Flt, .31 Ss	24
7	09740	(000000-	Screw, Hex, M08 X 1.25 X 20, Ss	23
8	49800	(000000-	Latch	1
9	02850	(000000-	Nut, Hex, Lock, M04 X 0.7, NI	4
10	49697	(000000-	Screw, Pan, M04 X 0.7 X 10, Ss	4
11	360801	(000000-	Sleeve	1
12	386461	(000000-	Rod	1
13	386413	(000000-004999)	Plate	1
13	1056472	(005000-	Plate, Iron Gray	1
14	09010	(000000-	Screw, Hex, M08 X 1.25 X 25, Ss	3
15	386433	(000000-004999)	Cover Wldt	1
15	1056386	(005000-	Cover Wldt, Iron Gray	1
16	387348	(000000-	Panel Wldt, Front W/ Label	1
17	386761	(000000-	Rod, Rear Door	1
18	54743	(000000-	Spring, Cmpr, 0.36od .04wir 2.5l	1
19	01684	(000000-	Washer, Flt, .25 Ss	2
20	08178	(000000-	Pin, Cotter, .062 X 0.75	1
21	386634	(000000-	Bracket	1
22	01684	(000000-	Washer, Flt, .25 Ss	2
23	386973	(000000-	Cap, Vyl, .234id .750l .04	1
24	82829	(000000-	Clamp, Cable, Stl, 0.63d X 0.75w, 1h	2

Fig. 7 - Electrical Instrument Panel Group

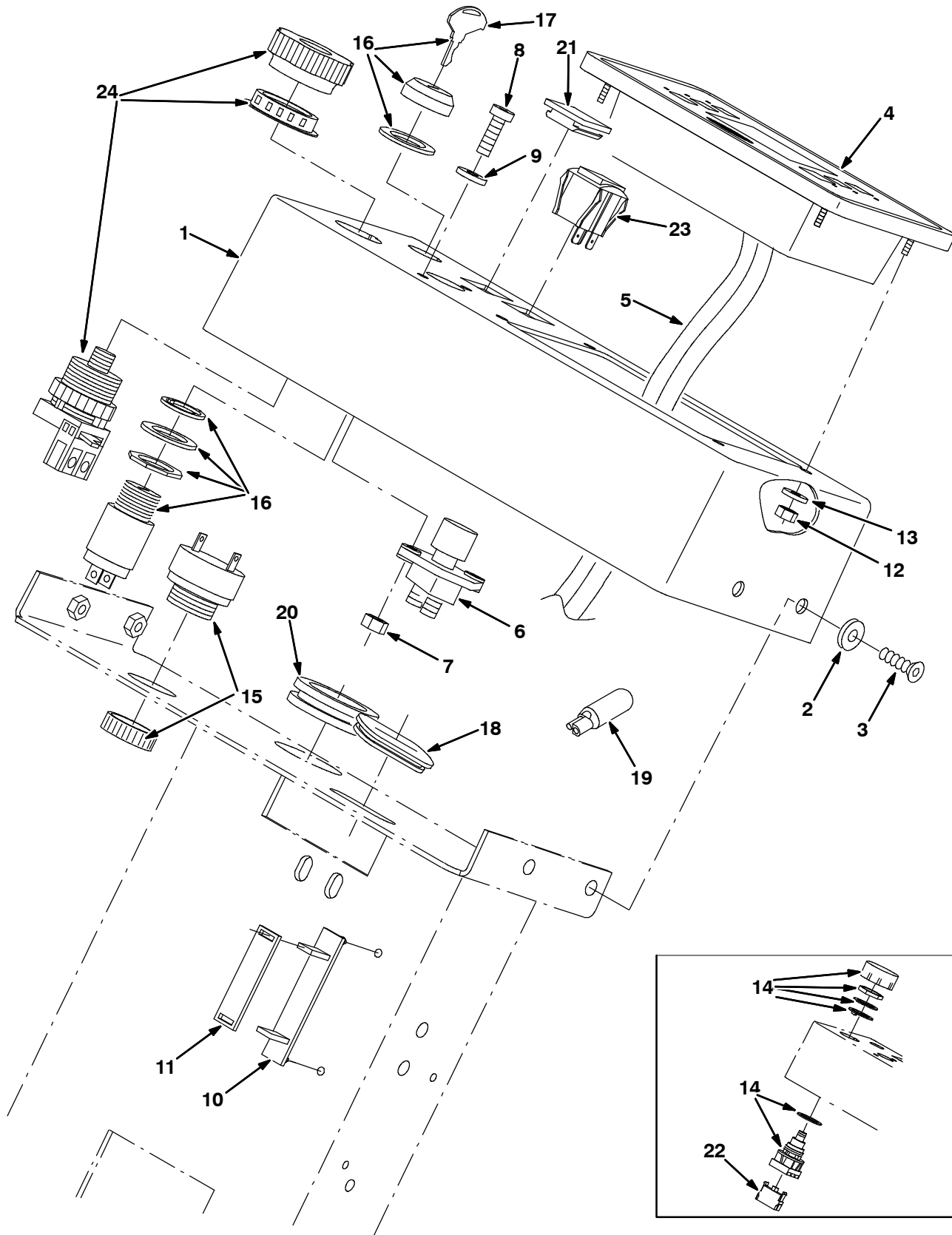


Fig. 7 - Electrical Instrument Panel Group

Ref.	Tennant Part No.	Machine Serial Number	Description	Qty.
1	386129	(000000-) Panel, Instmt	1
2	386924	(000000-) Washer, Finish, M06, PI	4
3	16879	(000000-) Screw, Flat, M06 X 1.0 X 20, 10.9	4
▽ 4	391954	(000000-) Panel Assy, Touch [7300]	1
▲ 5	386311	(000000-) Cable, Ribbon, 34 Conductor	1
6	44078	(000000-) Switch	1
7	08708	(000000-) Nut, Hex, Lock, M06 X 1.0, NI	2
8	09007	(000000-) Screw, Hex, M06 X 1.0 X 25, Ss	2
9	32483	(000000-) Washer, Flt, .25 Sae	2
10	386808	(000000-) Clamp, Ribbon Cable	1
11	386809	(000000-) Clamp, Ribbon Cable, Hold-Down	1
12	06549	(000000-) Nut, Hex, Lock, M05 X 0.8, NI	4
13	19066	(000000-) Washer, Flt, #10	4
14	78553	(000000-005030) Switch	1
15	386346	(000000-) Alarm, Warning, 10-48vdc	1
▽ 16	361076	(000000-) Switch, Start	1
▲ 17	361144	(000000-) Key, Ignition	1
18	27928	(000000-) Grommet, Ribbon Cable, .63 X 1.81	1
19	222290	(000000-) Diode, Ele, Plug	7
20	10632-13	(000000-) Grommet, Rbr, 1.50id, F/ 1.8h, .31matl	1
21	222534	(000000-) Button, Plug, 1.1 X 1.1h, Black, Plstc	2
22	65665	(000000-005030) Contact, Switch	1
23	360520	(000000-) Switch, Rocker	1
24	1053842	(005031-) Switch, Safety, Shutoff	1

Fig. 8 - Steering Group

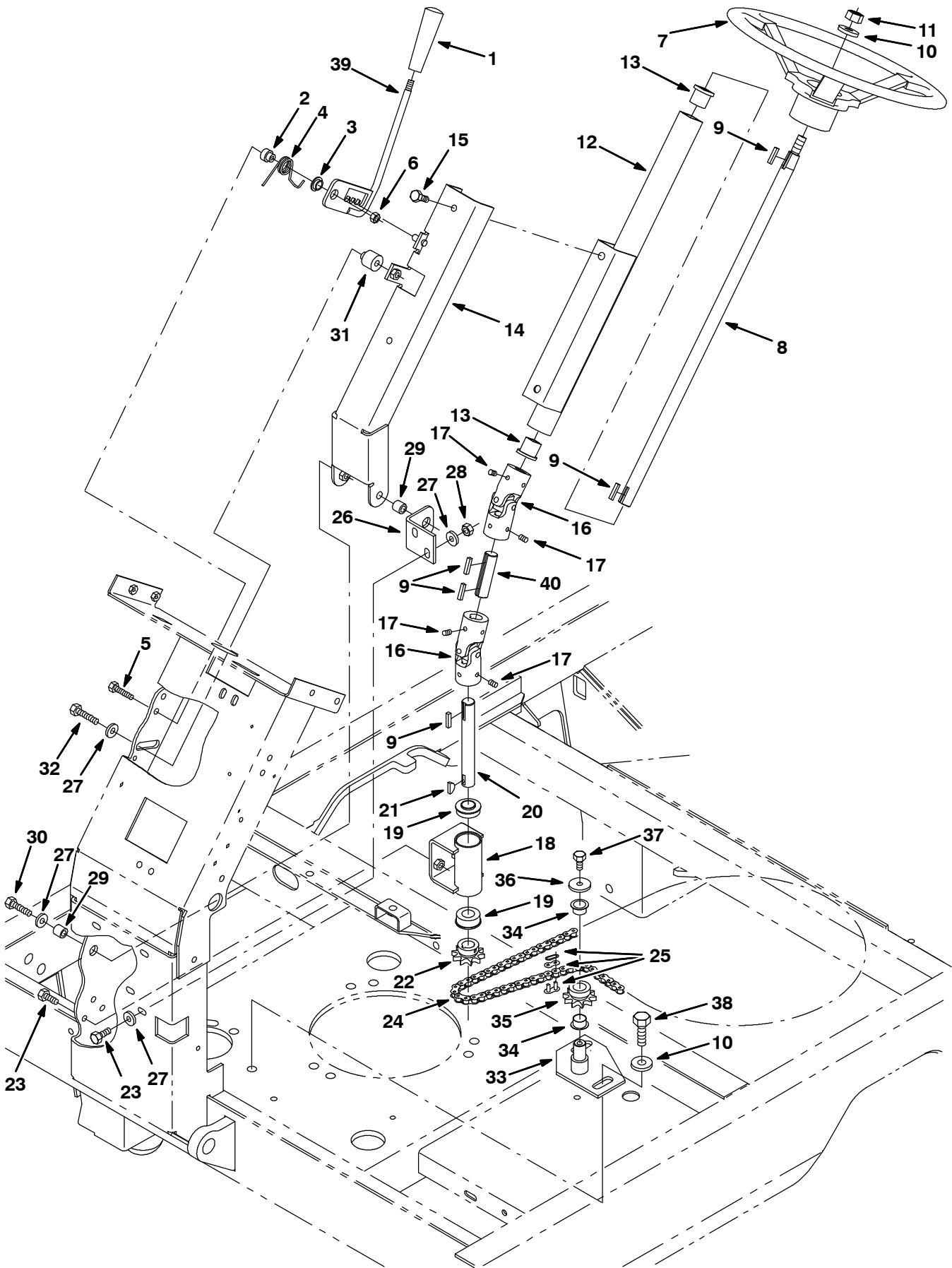


Fig. 8 - Steering Group

Ref.	Tennant Part No.	Machine Serial Number	Description	Qty.	
1	59940	(000000-) Knob	1	
2	386149	(000000-) Pin	1	
3	386217	(000000-) Bearing, Flange	1	
4	386150	(000000-) Spring, Torsion	1	
5	06946	(000000-) Screw, Hex, M06 X 1.0 X 35, 8.8	1	
6	08708	(000000-) Nut, Hex, Lock, M06 X 1.0, NI	1	
7	1036490	(000000-) Wheel, Steering, 14.0d, Taper Bore	1	
8	223061	(000000-) Shaft, Steering, Upper, Mach, .75d 24.1l	1	
9	00912	(000000-) Key, Sq, 0.19 X 0.19, 01.00l	5	
10	32493	(000000-) Washer, Flt, .50 Std	2	
11	08711	(000000-) Nut, Hex, Lock, M12 X 1.75, NI	1	
12	1056917	(000000-) Column Wldt, Steering, Iron Gray	1	
13	16367	(000000-) Bushing, Flng, 0.75b 1.00d 1.00l, Nyl	2	
14	1056851	(000000-) Bracket Wldt, Steering, Tilt, Iron Gray	1	
15	16735	(000000-) Screw, Hex, M08 X 1.25 X 16, 8.8	2	
▽	16	1040295	(000000-) Joint, U, 0.75ld	2
▲	17	39338	(000000-) Screw, Set, .31-18 X 0.50, Soc	8
	18	1056914	(000000-) Housing Wldt, Brg, Iron Gray	1
	19	223073	(000000-) Bearing, Ball, 0.75b 1.38d 0.50w	2
	20	386975	(000000-) Shaft, Steering, Lower	1
	21	00500-10	(000000-) Key, Woodruff, 0.19 0.75, [Asa#0606]	1
	22	35996	(000000-) Sprocket, #40, 10tooth, 0.750b	1
	23	16931	(000000-) Screw, Hex, M08 X 1.25 X 20, 8.8	5
	24	386447	(000000-) Chain, Roller, #40 X 130 Pitches	1
	25	07112	(000000-) Link, Chain, Roller, #40	1
	26	1056852	(000000-) Bracket, Sppt, Tilt, Iron Gray	1
	27	32491	(000000-) Washer, Flt, .31 Std	6
	28	08709	(000000-) Nut, Hex, Lock, M08 X 1.25, NI	2
	29	386154	(000000-) Bushing, Sleeve, 0.38b 0.63d 0.57l, Stl	2
	30	76570	(000000-) Screw, Hex, M08 X 1.25 X 30, 8.8	2
	31	386152	(000000-) Sleeve, Support, Tilt	1
	32	74440	(000000-) Screw, Hex, M08-1.25 X 40, Ss	1
	33	386143	(000000-) Plate Wldt, Mtg, Idler	1
	34	16370	(000000-) Bushing, Flng, 0.71b 0.79d 0.47l	2
	35	14271	(000000-) Sprocket, #40, 10tooth, 0.787b	1
	36	30013	(000000-) Washer, Flat, .31 Fender	1
	37	50388	(000000-) Screw, Hex, M08 X 1.25 X 12, 8.8	1
	38	39285	(000000-) Screw, Hex, M10 X 1.5 X 40, 8.8	2
	39	386140	(000000-) Handle Wldt, Steering, Tilt	1
	40	386976	(000000-) Shaft, Steering	1

Fig. 9 - Seat Group

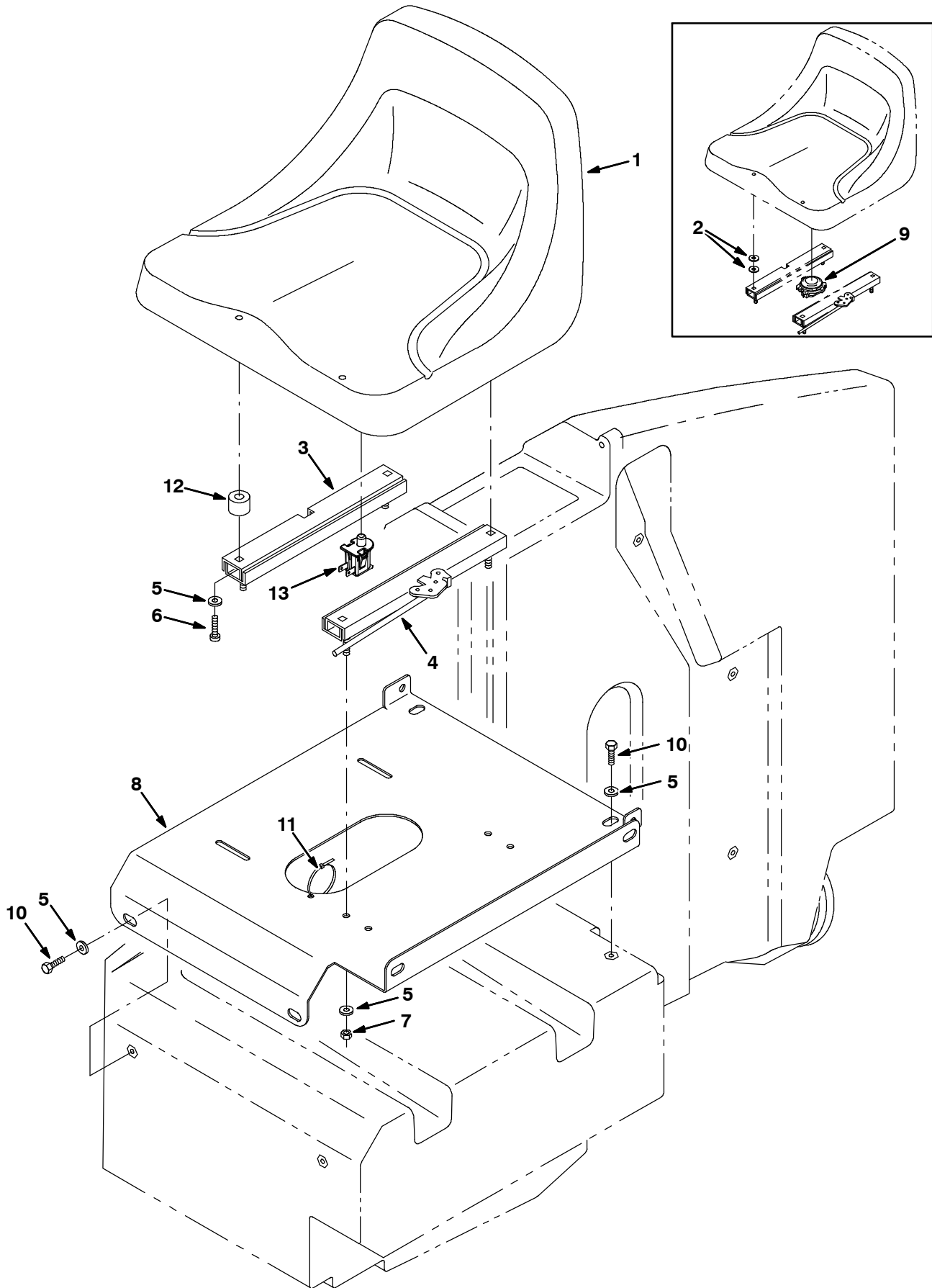


Fig. 9 - Seat Group

Ref.	Tennant Part No.	Machine Serial Number	Description	Qty.
1	375411	(000000-003621)	Seat (Replaced by 9005082)	1
1	1048932	(003622-	Seat, Std [Michigan, Model V-2505]	1
2	13248	(000000-003621)	Washer	8
3	360369	(000000-	Rail	1
4	360370	(000000-	Rail	1
5	01685	(000000-	Washer, Flt, .31 Ss	14
6	25537	(000000-003621)	Screw, Pan, .31-18 X 0.75, G1	4
6	49177	(003622-	Screw, Pan, Phl, .31-18 X 1.00, G2	4
7	32983	(000000-	Nut, Hex, Lock, .31-18, NI	4
8	1056855	(000000-	Plate, Seat, Iron Gray	1
9	223078	(000000-003621)	Switch, Seat	1
10	15675	(000000-	Screw, Hex, M08 X 1.25 X 16, Ss	6
11	49266	(000000-	Tie, Cable, Nyl, 07.3l .19w 1.8 Max D	1
12	1049092	(003622-	Spacer, Rnd, .38B .88D .63L	4
13	1048955	(003622-	Switch, Seat, No [Delta 6440-04]	1

Fig. 10 - Directional Control Group

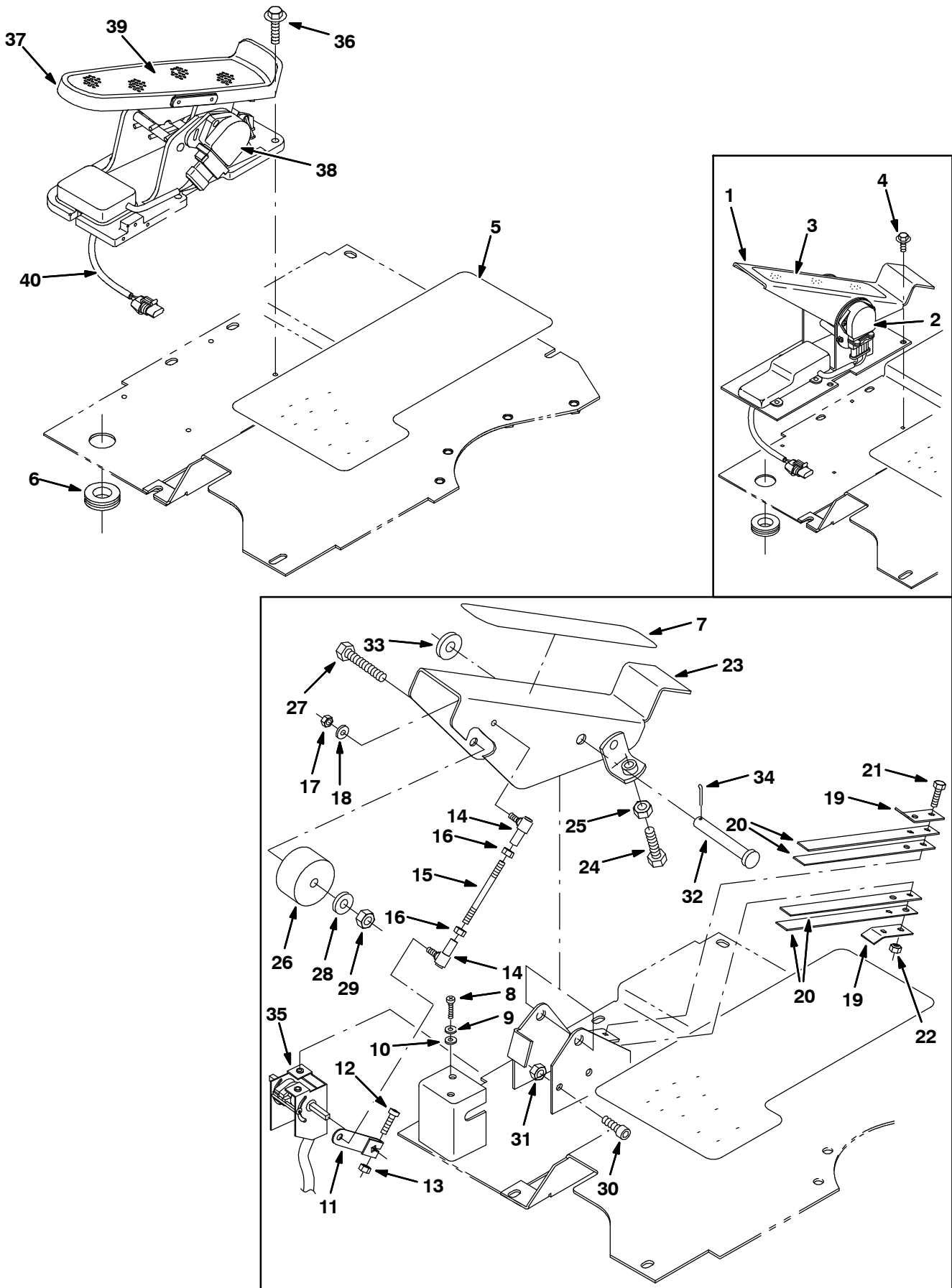


Fig. 10 - Directional Control Group

	Ref.	Tennant Part No.	Machine Serial Number	Description	Qty.
▽	1	387700	(001947-003394)	Pedal Assy, Foot (Replaced by 1042524)	1
▲	2	385726	(001947-003394)	Sensor, Pedal Position	1
▲	3	82839	(001947-003394)	Tread, Non Skid, 2.2w 11.5l	1
	4	74455	(001947-003394)	Screw, Hex, M06-1.0 X 12, Fmg	4
	5	387392	(001947-)	Tread, Non-Skid, 06.0w X 15.5l	1
	6	10632	(001947-)	Grommet, Rbr, 0.89id, F/ 1.2h, .14matl	1
	7	82839	(000000-001946)	Tread, Non-Skid, 02.2 11.5	1
	8	06931	(000000-001946)	Screw, Pan, M05 X 0.8 X 6, 4.8	2
	9	01683	(000000-001946)	Washer, Flt, #10 Ss	2
	10	32980	(000000-001946)	Washer, Lock, Int, #10	2
	11	223239	(000000-001946)	Arm, Cntrl, Throttle, Electronic	1
	12	39717	(000000-001946)	Screw, Pan, .25-20 X 1.00, 2	1
	13	32981	(000000-001946)	Nut, Hex, Lock, .25-20, NI	1
	14	14601	(000000-001946)	Balljoint, .25-28 Fem/.25-28mal	2
	15	223090	(000000-001946)	Rod, Thrld, 2 End, .25-28 04.4l	1
	16	01714	(000000-001946)	Nut, Hex, Std, .25-28	2
	17	13513	(000000-001946)	Nut, Hex, Lock, .25-28, NI	2
	18	32490	(000000-001946)	Washer, Flt, .25 Std	2
	19	223601	(000000-001946)	Retainer, Spring	2
	20	223600	(000000-001946)	Strip, Stl, 0.05th X 00.75w, 07.80l	4
	21	06944	(000000-001946)	Screw, Hex, M06 X 1.0 X 25, 8.8	2
	22	08708	(000000-001946)	Nut, Hex, Lock, M06 X 1.0, NI	2
	23	223320	(000000-001946)	Pedal Wldt, Accelerator	1
	24	39284	(000000-001946)	Screw, Hex, M10 X 1.5 X 35, 8.8	1
	25	39312	(000000-001946)	Nut, Hex, Std, M10 X 1.5	1
	26	87725	(000000-001946)	Spacer	1
	27	06963	(000000-001946)	Screw, Hex, M10 X 1.5 X 60, 8.8	1
	28	32485	(000000-001946)	Washer, Flt, .38 Sae	1
	29	41430	(000000-001946)	Nut, Hex, Lock, M10 X 1.5, NI	1
	30	39308	(000000-001946)	Screw, Soc, M08 X 1.25 X 25, 12.9	1
	31	08709	(000000-001946)	Nut, Hex, Lock, M08 X 1.25, NI	1
	32	06474A	(000000-001946)	Pin, Clevis, 0.50 D X 3.50l	1
	33	32486	(000000-001946)	Washer, Flt, .50 Sae	1
	34	08182	(000000-001946)	Pin, Cotter, .125 X 1.00	1
	35	223094	(000000-001946)	Box, Accelerator	1
	36	222159	(003395-)	Screw, Hex, M6 X 1.00 X 25, Fmg	4
▽	37	1034891	(003395-)	Pedal Assy, Propel, 36vdc	1
▲	38	385726	(003395-)	Sensor, Position, Pedal	1
▲	39	1042514	(003395-)	Tread, Non-Skid	1
▲	40	1042513	(003395-)	Circuitboard, Pedal	1

Fig. 11 - Wheel Group, Front Drive

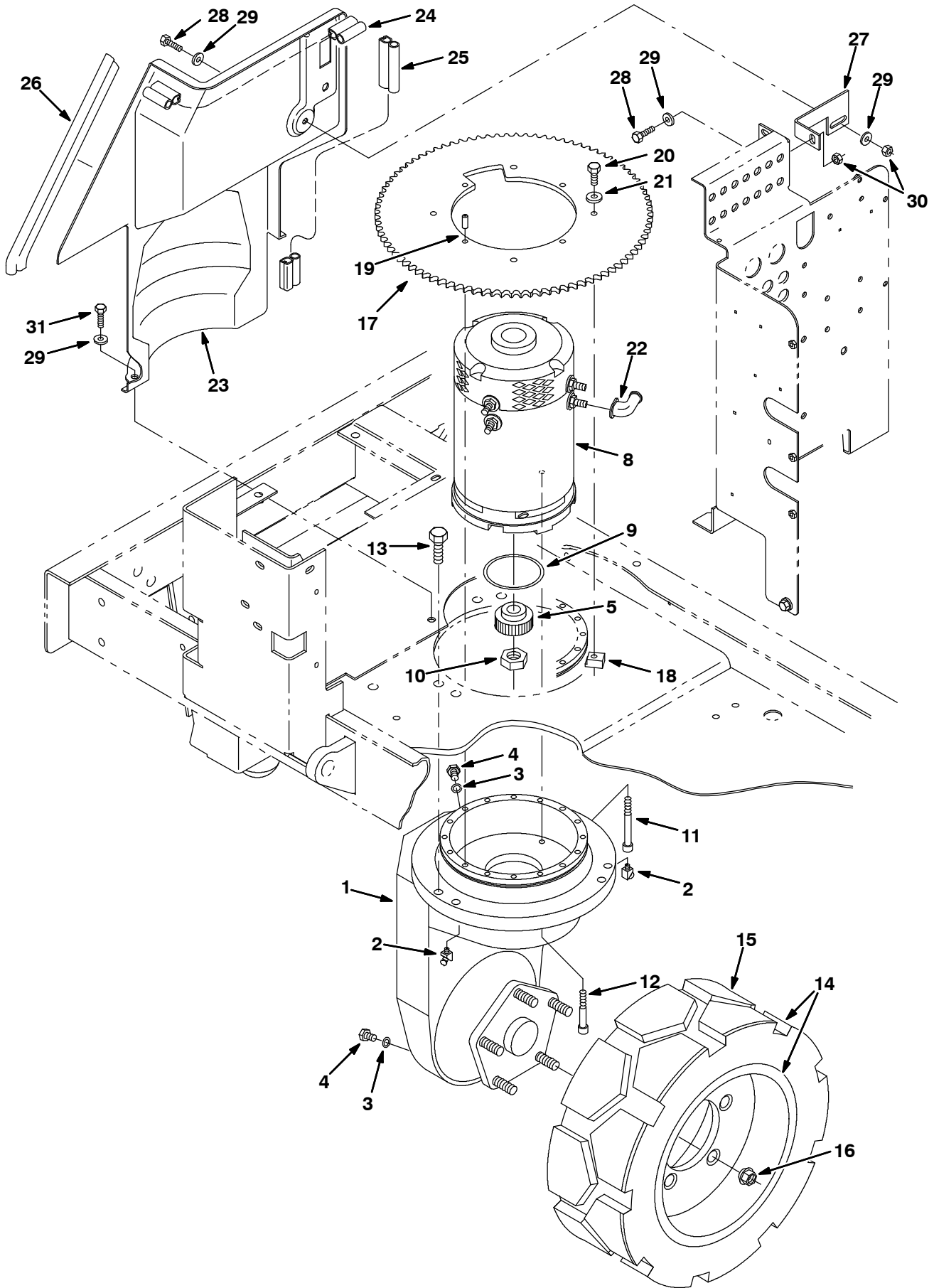


Fig. 11 - Group, Front Drive

	Ref.	Tennant Part No.	Machine Serial Number	Description	Qty.
▽	1	87355	(000000-) Gearbox, 90, Drive Wheel, Rear, [Hu]	1
▲	2	87839	(000000-) Fitting, Grease	2
▲	3	87840	(000000-) Seal, O-Ring	2
▲	4	87841	(000000-) Plug	2
▲	5	87849	(000000-) Gear, Drive	1
▲	6	12540	(000000-) Bolt	5
▲	7	61791	(000000-) Bearing	1
	8	60198	(000000-) Motor, Ele, Vdc 3.0hp Traction,[201] (See Breakdown)	1
	9	360980	(000000-) Seal, O-Ring, .139 X 2.98id	1
	10	43957	(000000-) Nut, Hex, Std, .50-20	1
	11	09030	(000000-) Screw, Soc, M08 X 1.25 X 80, 12.9	2
	12	09294	(000000-) Screw, Soc, M08 X 1.25 X 60, 12.9	1
	13	41345	(000000-) Screw, Hex, M12 X 1.75 X 25, 8.8	6
▽	14	387660	(000000-) Tire Assy, Solid, 16.2X6.0 5.7Bc/5 Bolt	1
▲	15	387659	(000000-) Tire, Solid, 16.2X6.0X11.2	1
	16	87750	(000000-) Nut, Wheel, M14-1.5	5
	17	363385	(000000-) Sprocket Wldt, #40, 96tooth, 7.00 B	1
	18	14150	(000000-) Clip, Sprocket	4
	19	14296	(000000-) Pin, Roll, .310 D X 0.75l, .312/.318	4
	20	16931	(000000-) Screw, Hex, M08 X 1.25 X 20, 8.8	4
	21	41187	(000000-) Washer, Belleville, .38	4
	22	02076	(000000-) Boot, 90deg .50d .57d X .84	4
▽	23	387346	(000000-004999) Panel, Motor, Cover W/ Label	1
▲	24	386458	(000000-004999) Seal, Bulb, [Sd-504], 15.52l	1
▲	25	386459	(000000-004999) Seal, Bulb, [Sd-504], 27.90l	1
▲	26	386558	(000000-004999) Seal, Bulb, [Sd-168], 12.50l	1
▽	23	9006951	(005000-) Panel, Motor, Cover, W/ Label, Teal	1
▲	24	386458	(005000-) Seal, Bulb, [Sd-504], 15.52l	1
▲	25	386459	(005000-) Seal, Bulb, [Sd-504], 27.90l	1
▲	26	386558	(005000-) Seal, Bulb, [Sd-168], 12.50l	1
	27	387035	(000000-004999) Bracket, Panel	1
	27	1056675	(005000-) Bracket, Panel	1
	28	16931	(000000-) Screw, Hex, M08 X 1.25 X 20, 8.8	2
	29	32491	(000000-) Washer, Flt, .31 Std	8
	30	08709	(000000-) Nut, Hex, Lock, M08 X 1.25,NI	2
	31	16735	(000000-) Screw, Hex, M08 X 1.25 X 16, 8.8	4

Fig. 12 - Brake Pedal Group

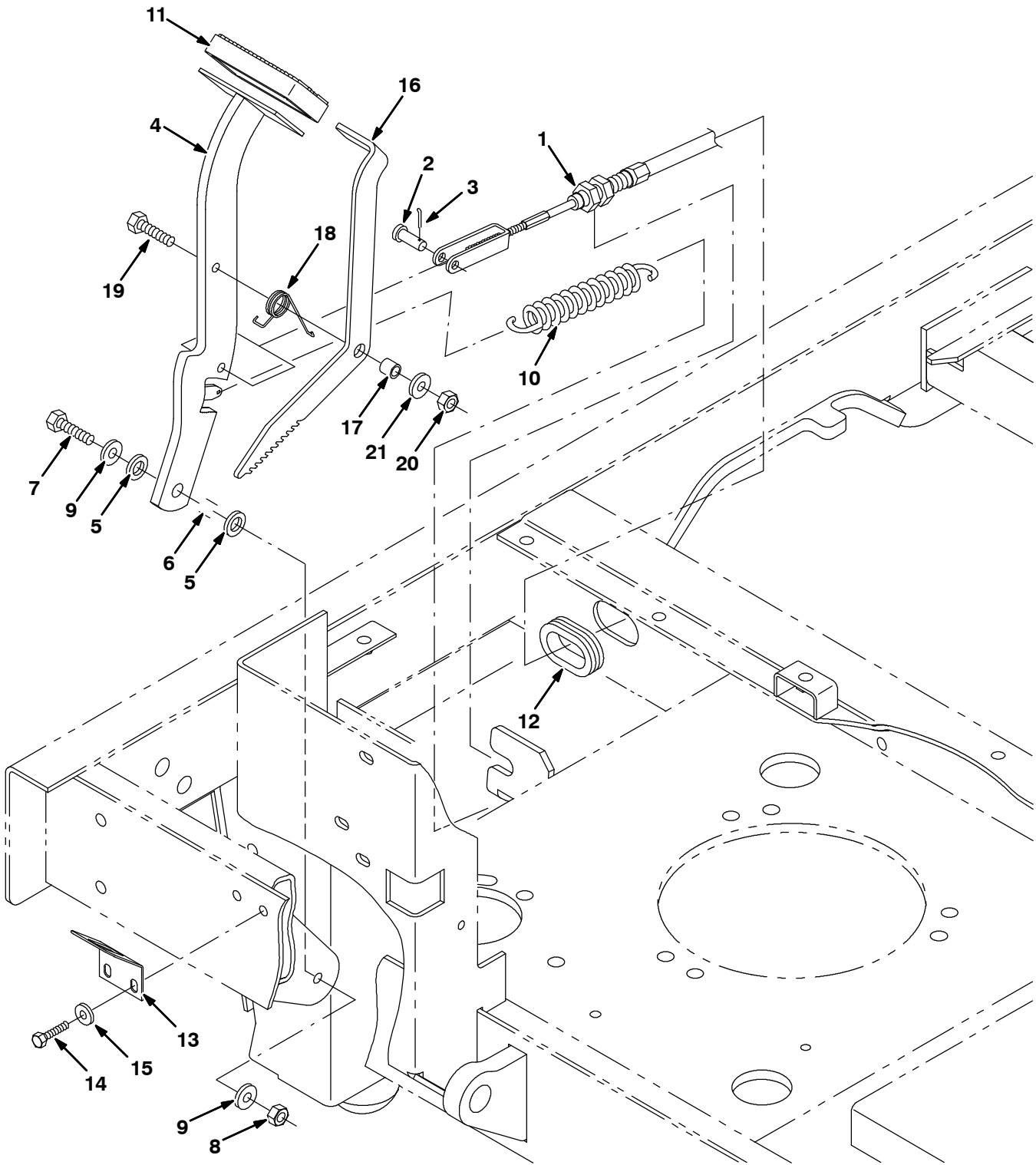


Fig. 12 - Brake Pedal Group

Ref.	Tennant Part No.	Machine Serial Number	Description	Qty.
1	386229	(000000-) Cable, Pull	1
2	69582	(000000-) Pin, Clevis, 0.31 D X 1.00l	1
3	39005	(000000-) Pin, Cotter, .094 X 0.75	1
4	1056860	(000000-) Lever Wldt, Iron Gray	1
5	86860	(000000-) Bearing, Thrust	2
6	222460	(000000-) Sleeve	1
7	09026	(000000-) Screw, Hex, M08 X 1.25 X 40, Ss	1
8	08713	(000000-) Nut, Hex, Lock, M08 X 1.25,NI, Ss	1
9	01685	(000000-) Washer, Flt, .31 Ss	2
10	379217	(000000-) Spring, Extn, 1.00od X 0.11wir, 5.5l	1
11	51109	(000000-) Pad	1
12	10632-13	(000000-) Grommet, Rbr, 1.50id, F/ 1.8h, .31matl	1
13	386915	(000000-) Plate, Stop	1
14	06943	(000000-) Screw, Hex, M06 X 1.0 X 20, 8.8	2
15	32490	(000000-) Washer, Flt, .25 Std	2
16	1056937	(000000-) Pedal, Brake, Parking, Iron Gray	1
17	46563	(000000-) Bushing, Sleeve, 0.37b 0.50d 0.50l	1
18	59009	(000000-) Spring, Tors, 0.75id .06wir 02.8coil	1
19	06955	(000000-) Screw, Hex, M08 X 1.25 X 35, 8.8	1
20	08709	(000000-) Nut, Hex, Lock, M08 X 1.25,NI	1
21	39349	(000000-) Washer, Flt, .31 Sae	1

Fig. 13 - Wheel And Brake Group, Rear

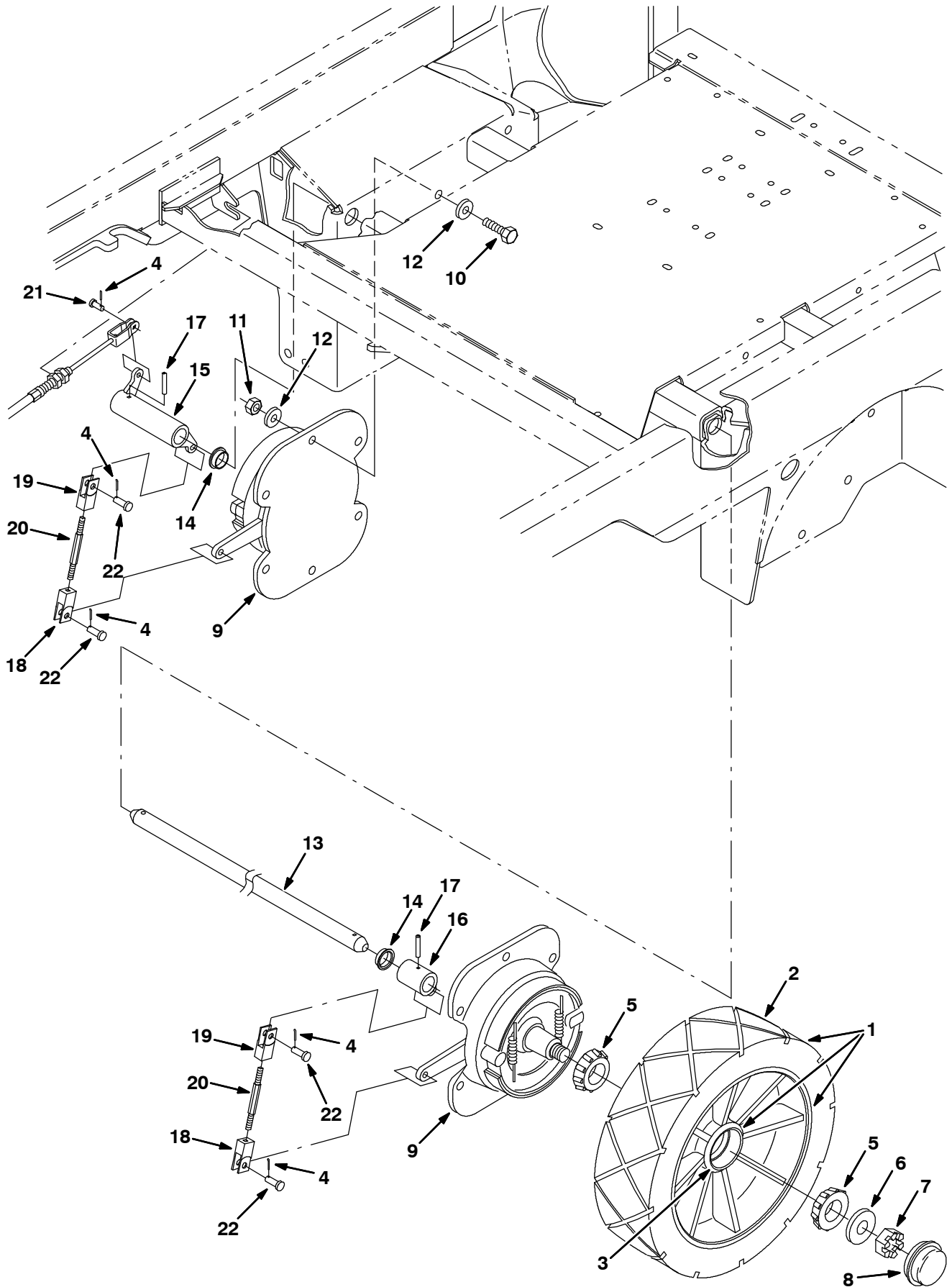


Fig. 13 - Wheel And Brake Group, Rear

	Ref.	Tennant Part No.	Machine Serial Number	Description	Qty.
▽	1	387014	(000000-) Tire Assy, 16 X 5 X 12.12	2
▲	2	387010	(000000-) Tire, Solid, 16 X 5 X 12.12	1
▲	3	51338	(000000-) Bearing, Cup, 2.56d 0.55w	2
	4	39005	(000000-) Pin, Cotter, .094 X 0.75	5
	5	51339	(000000-) Bearing, Cone, 1.38b 0.71w	4
	6	32969	(000000-) Washer, Flat, 1.00 Sae Hard	2
	7	14242	(000000-) Nut, Hex, Sltd, 1.00-20	2
	8	54390	(000000-) Cap, Hub 2.567 Hole	2
▽	9	54577	(000000-) Brake Assy	2
▲		66211	(000000-) Brake Shoes	2
▲		66213	(000000-) Brake Repair Kit	1
▲		70161	(000000-) Chrome Pltd Cam Shaft	1
▲		70158	(000000-) Return Spring-Brakes	2
	10	06969	(000000-) Screw, Hex, M12 X 1.75 X 40, 8.8	12
	11	08711	(000000-) Nut, Hex, Lock, M12 X 1.75,NI	12
	12	32486	(000000-) Washer, Flt, .50 Sae	24
	13	386367	(000000-) Shaft	1
	14	83733	(000000-) Bushing, Flng, 1.00b 1.13d 0.38l	2
	15	1056859	(000000-) Arm Wldt, Brake, Rh, Iron Gray [7200]	1
	16	1056861	(000000-) Arm Wldt, Brake, Lh, Iron Gray [7200]	1
	17	26315	(000000-) Pin, Roll, .250 D X 1.50l, .250/.256	2
	18	1023676	(000000-) Clevis, Adj, 0.38pin, 0.31-24, PI	2
	19	1023677	(000000-) Clevis, Adj, 0.38pin, 0.31-24, Lh, PI	2
	20	386378	(000000-) Rod, Threaded	2
	21	10120	(000000-) Pin, Clevis, 0.31 D X 0.75l	1
	22	09088	(000000-) Pin, Clevis, 0.37 D X 1.00l	4

Fig. 14 - Solution Tank Group

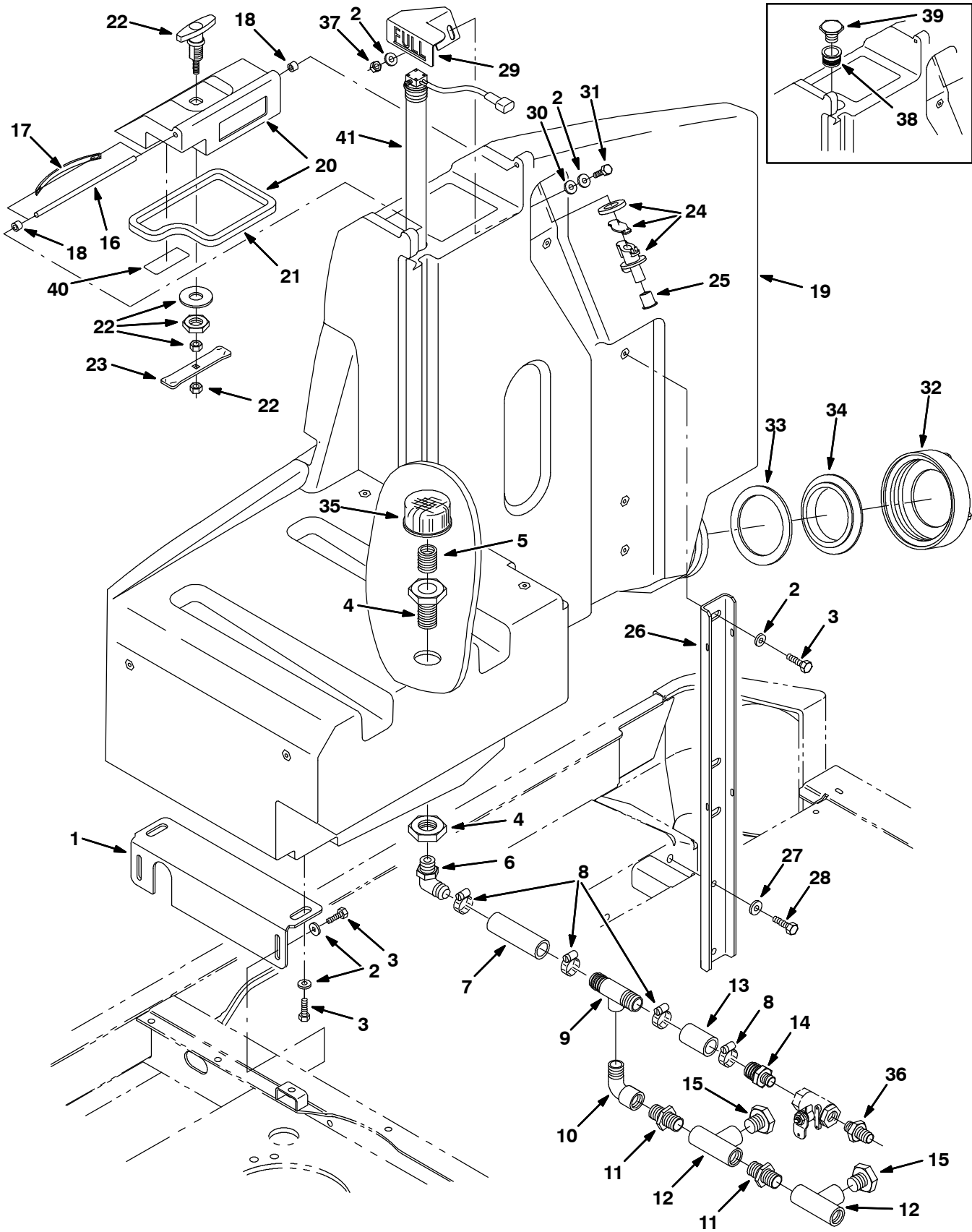


Fig. 14 - Solution Tank Group

Ref.	Tennant Part No.	Machine Serial Number	Description	Qty.	
1	1056849	(000000-) Bracket, Mtg, Tank, Iron Gray	1	
2	01685	(000000-) Washer, Flt, .31 Ss	9	
3	12273	(000000-) Screw, Hex, M08 X 1.25 X 20, Ss, NI	7	
4	386224	(000000-) Fitting, Plstc, Bkhd, Pf16/Pf16	1	
5	223499	(000000-) Fitting, Plstc, Str, Pm16/Pm16 Close	1	
6	365093	(000000-) Fitting, Plstc, E90, 16bm/16pm	1	
7	386420	(000000-) Hose, Water, 1.0id 4.5l	1	
8	11399	(000000-) Clamp, Hose, Wormdrive, 0.81-1.50d	4	
9	365096	(000000-) Fitting, Plstc, Tee, Bm16/Pf12/Bm16	1	
10	69785	(000000-) Fitting, Plstc, E90, Pm12/Pf12	1	
11	24544	(000000-) Fitting, Plstc, Str, Pm12/Pm12	2	
12	42133A	(000000-) Fitting, Plstc, Tee, Pf12/Pf12/Pf12	2	
13	386421	(000000-) Hose, Water, 1.0id 2.25l	1	
14	57379	(000000-) Fitting, Plstc, Str, Pm12/Bm16	1	
15	75611	(000000-) Fitting, Plstc, Plug, Pm12	2	
16	386419	(000000-) Pin, Hinge, Cover	1	
17	386643	(000000-) Spring, Cover	1	
18	49740	(000000-) Cap, Plastic	2	
19	387683	(000000-004999)) Tank Kit, Soltn, W/ Label, Replmt [7300]	1	
19	9006972	(005000-) Tank Kit, Soltn, W/ Label, Teal, Replmt	1	
▽	20	387594	(000000-004999)) Cover Kit, Soltn, W/ Gasket	1
▲	21	386320	(000000-004999)) Gasket, Celr Ure, .50, 05.94w 08.88l,Adh	1
▽	20	9006967	(005000-) Cover Kit, Soltn, W/ Gasket, Teal	1
▲	21	386320	(005000-) Gasket, Celr Ure, .50, 05.94w 08.88l,Adh	1
	21	386162	(000000-) Cover, Tank, Solution	1
	22	386324	(000000-) Handle	1
	23	386222	(000000-) Bar	1
	24	78842	(000000-) Kit, Valve, Check	1
	25	78740	(000000-) Plug, Cap	1
	26	386160	(000000-004999)) Channel	1
	26	1056382	(005000-) Channel, .19, 2.5w 1.0 29.3l, H&S, Gray	1
	27	01686	(000000-) Washer, Flt, .38 Ss	2
	28	77347	(000000-) Screw, Hex, M10 X 1.5 X 35, Ss	2
	29	387061	(000000-) Bracket, Full	1
	30	63416	(000000-) Washer, 0.31b 0.88d .12, Rbr	1
	31	09011	(000000-) Screw, Hex, M08 X 1.25 X 30, Ss	1
	32	23456	(000000-) Cap, Tank, Drain, 6.17 Thread Pye	1
	33	1031699	(000000-) Gasket, .19, 4.05id 5.29od [Buna]	1
	34	86636	(000000-) Cover, Tank	1
	35	20810	(000000-) Filter, Soltn, 20mesh, Pf16 3.1d 02.3l	1
	36	79273-2	(000000-) Fitting, Plstc, Str, Bm12/Pm12	1
	37	08713	(000000-) Nut, Hex, Lock, M08 X 1.25,NI, Ss	1
	38	223528	(000000-001986)) Grommet, Level Sensing 1.6 D 9.6L	1
	39	49745	(000000-001986)) Fitting, Plstc, Plug, PM16	1
	40	391451	(001987-) Label, Attention Fast Users	1
	41	375431	(001987-) Kit, Replmt, Press Switch/34" Tube	1

Fig. 15 - FaST Solution Pump Group (000000-003746)

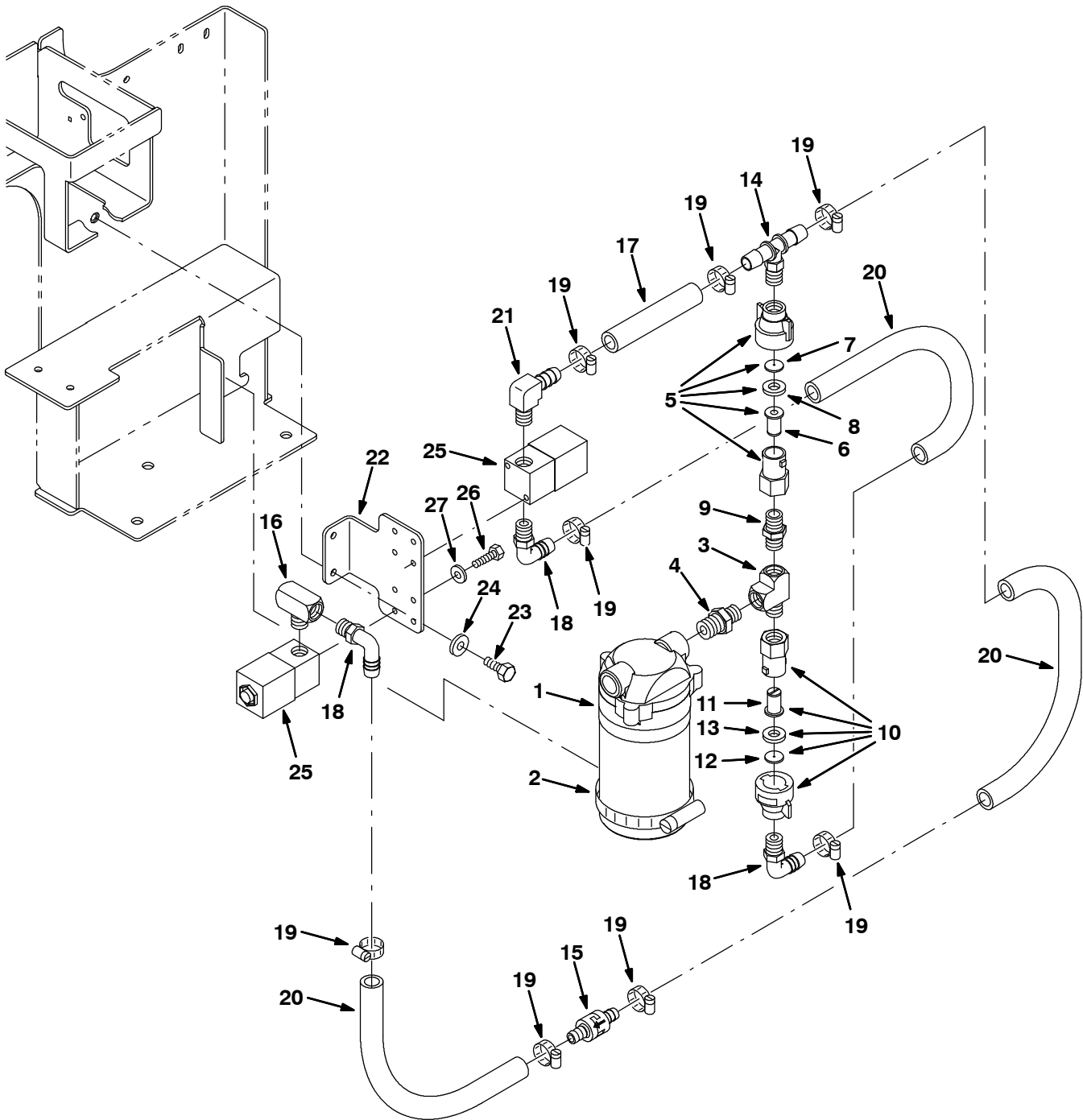


Fig. 15 - FaST Solution Pump Group (000000-003746)

Ref.	Tennant Part No.	Machine Serial Number	Description	Qty.
1	1005866	(000000-003746)	Pump, Soltn, Ele, 36vdc	1
2	43555	(000000-003746)	Clamp, Hose, Wormdrive, 1.62-3.50d	1
3	24929	(000000-003746)	Fitting, Brs, Tee, Pf04/Pf04/Pm04	1
4	1010835	(000000-003746)	Fitting, Brs, Str, Pm04/Pm06	1
▽	5	1010655	(000000-003746) Fitting Assy, Cap, 0.067b, Pf04	1
▲	6	1006447	(000000-003746) Screen, 50 Mesh, Ss	1
▲	7	1010658	(000000-003746) Plate, Orifice, 0.067id	1
▲	8	1005508	(000000-003746) Washer, Flat, 0.34b 0.75d 0.12, Viton	1
	9	398468	(000000-003746) Fitting, Brs, Str, Pm04/Pm04	1
▽	10	1010660	(000000-003746) Fitting Assy, Cap, 0.086b, Pf04	1
▲	11	1006447	(000000-003746) Screen, 50 Mesh, Ss	1
▲	12	1010661	(000000-003746) Plate, Orifice, 0.086id	1
▲	13	1005508	(000000-003746) Washer, Flat, 0.34b 0.75d 0.12, Viton	1
	14	1010791	(000000-003746) Fitting, Plstc, Tee, Bm08/Pm04/Bm08 Nyl	1
	15	1010614	(000000-003746) Valve, Check, 2 Gpm 3" 06bm/08bm	1
	16	53268	(000000-003746) Fitting, Brs, Tee, Pf04/Pm04/Pf04	1
	17	1011403	(000000-003746) Hose, Afmkt Replmt, Pvc, Brd 0.50id 1 Ft	1
	18	1010713	(000000-003746) Fitting, Plstc, E90, Bm08/Pm04 Nyl	3
	19	54333	(000000-003746) Clamp, Hose, Wormdrive, 0.31-0.88d	8
	20	1011521	(000000-003746) Hose, Afmkt Replmt, Pvc, Brd 0.50id 2 Ft	3
	21	1010836	(000000-003746) Fitting, Brs, E90, Pm04/Bm08	1
	22	1013857	(000000-003746) Bracket, Mtg, Valve, Solenoid	1
	23	06942	(000000-003746) Screw, Hex, M6 X 1.0 X 16, 8.8	2
	24	32490	(000000-003746) Washer, Flat, 0.25 Std	2
	25	1028581	(000000-003746) Valve, Water, 36vdc, 6.0mm, 04pf	2
	26	09252	(000000-003746) Screw, Hex, M5 X 0.8 X 20, 8.8	4
	27	19066	(000000-003746) Washer, Flat, #10	4

Fig. 16 - FaST Air Pump and Detergent Group (000000-003746)

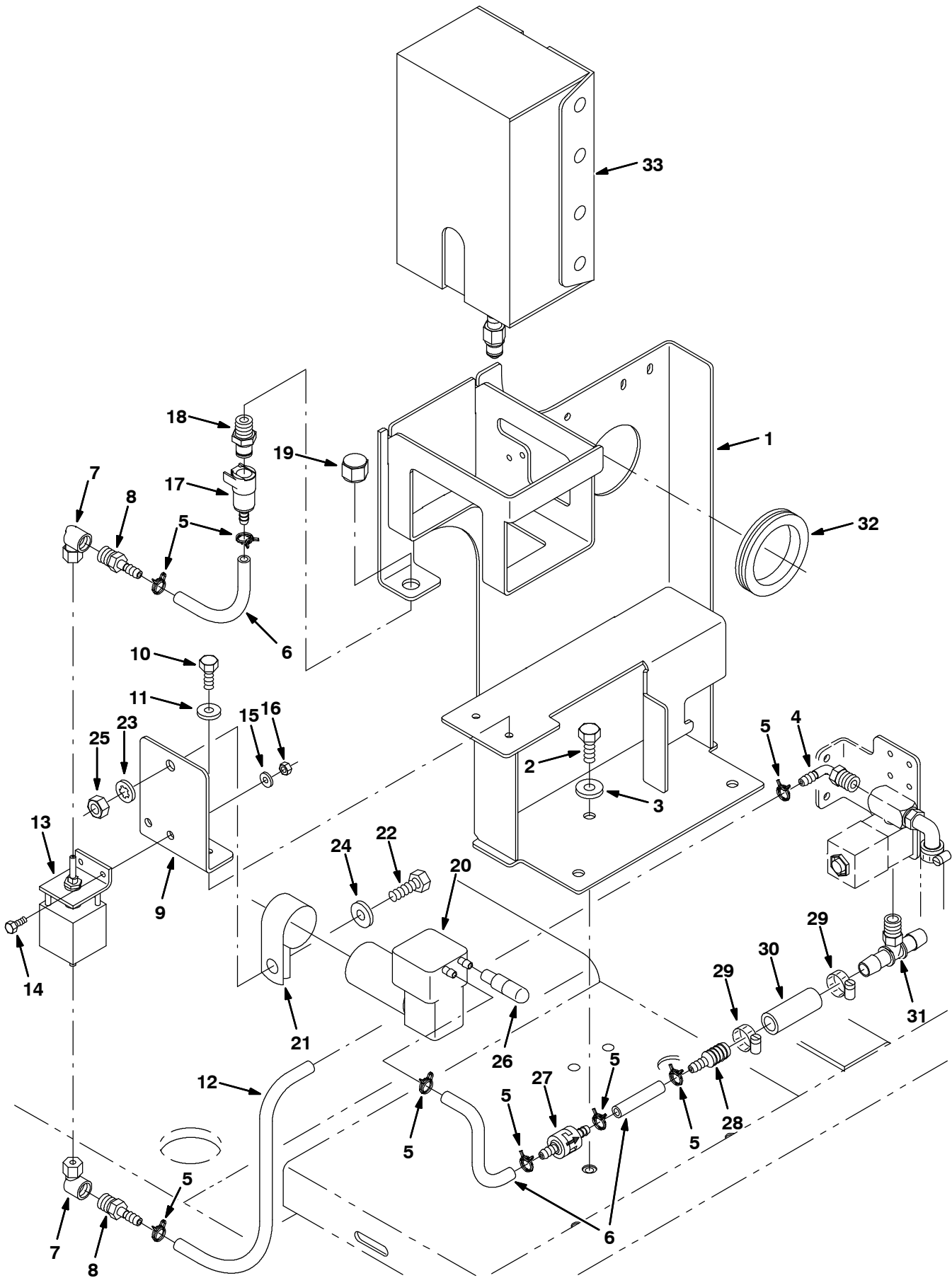


Fig. 16 - FaST Air Pump and Detergent Group (000000-003746)

Ref.	Tennant Part No.	Machine Serial Number	Description	Qty.
1	1010797	(000000-002447)	Bracket Wldt [7300/8300-FaST]	1
1	1024009	(002448-003746)	Bracket Wldt [7300/8300 FaST]	1
2	16931	(000000-003746)	Screw, Hex, M8 X 1.25 X 20, 8.8	3
3	32491	(000000-003746)	Washer, Flat, 0.31 Std	3
4	1011170	(000000-003746)	Fitting, Plstc, E90, Bm04/Pm04 Nyl	1
5	613735	(000000-003746)	Clamp, Hose .40 - .42 2 Wire	8
6	1014987	(000000-003746)	Hose, Afmkt, Pvc, Clr 0.25id 1 Ft	2
7	1014082	(000000-003746)	Fitting, Brs, E90, Cf03/Pf02	2
8	150525	(000000-003746)	Fitting 1/8mx1/4h Barb Brs	2
9	1013866	(000000-003746)	Bracket, Mtg, Pump, Detgt [7300/8300]	1
10	06942	(000000-003746)	Screw, Hex, M6 X 1.0 X 16, 8.8	2
11	32490	(000000-003746)	Washer, Flat, 0.25 Std	2
12	1014986	(000000-003746)	Hose, Afmkt, Pvc, Clr 0.25id 2 Ft	1
13	1014056	(000000-003746)	Pump, Detgt, 560s	1
14	09206	(000000-003746)	Screw, Hex, M4 X 0.7 X 12, 8.8	2
15	19064	(000000-003746)	Washer, Flat, #06	2
16	02850	(000000-003746)	Nut, Hex, Lock, M 4 X 0.7, NI	2
17	1002898	(000000-003746)	Coupling, Fem, W/ Valve, .25 Brb	1
18	1002899	(000000-003746)	Coupling, Mal, .25 Npt	1
19	1005435	(000000-003746)	Fitting, Plstc, Cap, Pf04	1
20	1008211	(000000-003746)	Pump, Air, Ele, 36vdc	1
21	53466	(000000-003746)	Clamp, Cable, Stl, 1.50d X 1.00w, 1h	1
22	09010	(000000-003746)	Screw, Hex, M8 X 1.25 X 25, Ss	1
23	32984	(000000-003746)	Washer, Lock, Int, .31	1
24	32491	(000000-003746)	Washer, Flat, 0.31 Std	1
25	08709	(000000-003746)	Nut, Hex, Lock, M8 X 1.25, NI	1
26	1005255	(000000-003746)	Filter Assy, Air, Molded Ure	1
27	1010871	(000000-003746)	Valve, Check, 2 Gpm 0.5psi Bm04/Bm04	1
28	25620	(000000-003746)	Fitting, Plstc, Str, Bm04/Bm08	1
29	54333	(000000-003746)	Clamp, Hose, Wormdrive, 0.31-0.88d	2
30	1011403	(000000-003746)	Hose, Afmkt Replmt, Pvc, Brd 0.50id 1 Ft	1
31	1010791	(000000-003746)	Fitting, Plstc, Tee, Bm08/Pm04/Bm08 Nyl	1
32	10632-19	(000000-003746)	Grommet, Rbr, 2.13id, F/ 2.5h, .12 Matl	1
33	1017015	(000000-003746)	Detergent Pkg, 2 Liter, Sgl, 365	1
33	1017022	(000000-003746)	Detergent Pkg, 2 Liter, Sgl, 665	1
33	1021878	(000000-003746)	Detergent Pkg, 4 Liter, Sgl [Tco 665]	1

Fig. 17 - FaST Foam Filter Group (000000-003746)

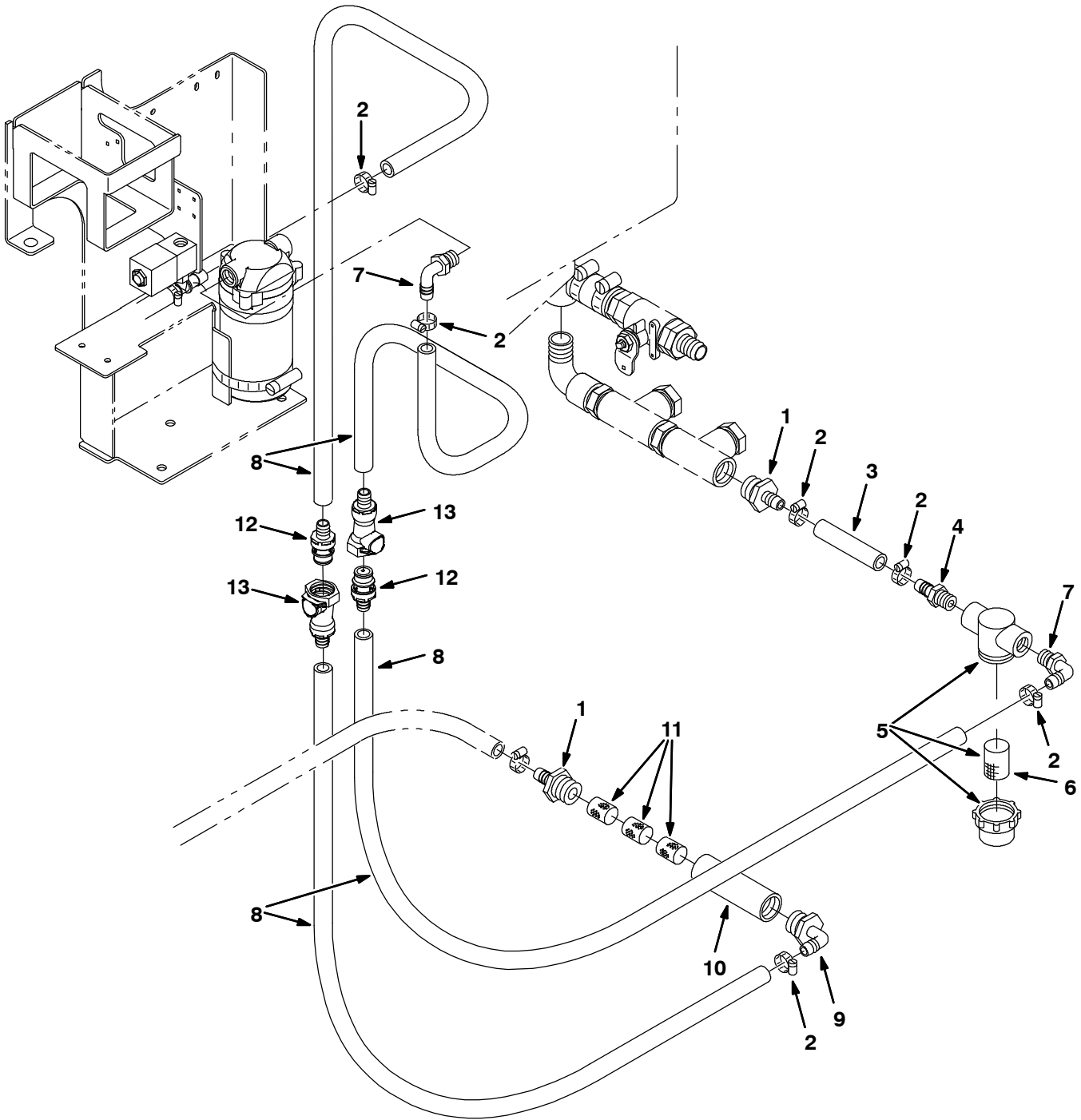


Fig. 17 - FaST Foam Filter Group (000000-003746)

Ref.	Tenant Part No.	Machine Serial Number	Description	Qty.	
1	79273-1	(000000-003746)	Fitting, Plstc, Str, Bm08/Pm12	1	
2	54333	(000000-003746)	Clamp, Hose, Wormdrive, 0.31-0.88d	6	
3	1011403	(000000-003746)	Hose, Afmkt Replmt, Pvc, Brd 0.50id 1 Ft	1	
4	64743	(000000-003746)	Fitting, Plstc, Str, Bm08/Pm06	1	
▽	5	1005302	(000000-003746)	Filter, Inline, Pf06/Pf06, 80 Mesh	1
▲	6	1005304	(000000-003746)	Screen, Filter, 80 Mesh	1
7	64778	(000000-003746)	Fitting, Plstc, E90, Bm08/Pm06	2	
8	1011835	(000000-003746)	Hose, Afmkt Replmt, Pvc, Brd 0.50id 20ft	1	
9	1005552	(000000-003746)	Fitting, Plstc, E90, Bm08/Pm12, Nyl	1	
10	1005086	(000000-003746)	Tube, Pvc, Shc80, Clear, 4.0l	1	
11	1002789	(000000-003746)	Filter, Foam	3	
12	1017415	(000000-003746)	Coupling Insert, Qm, Bm08	1	
13	1017413	(000000-003746)	Coupling Body, Qf, Pm08	1	

Fig. 18 - FaST Pumps and Detergent Group (003747-)

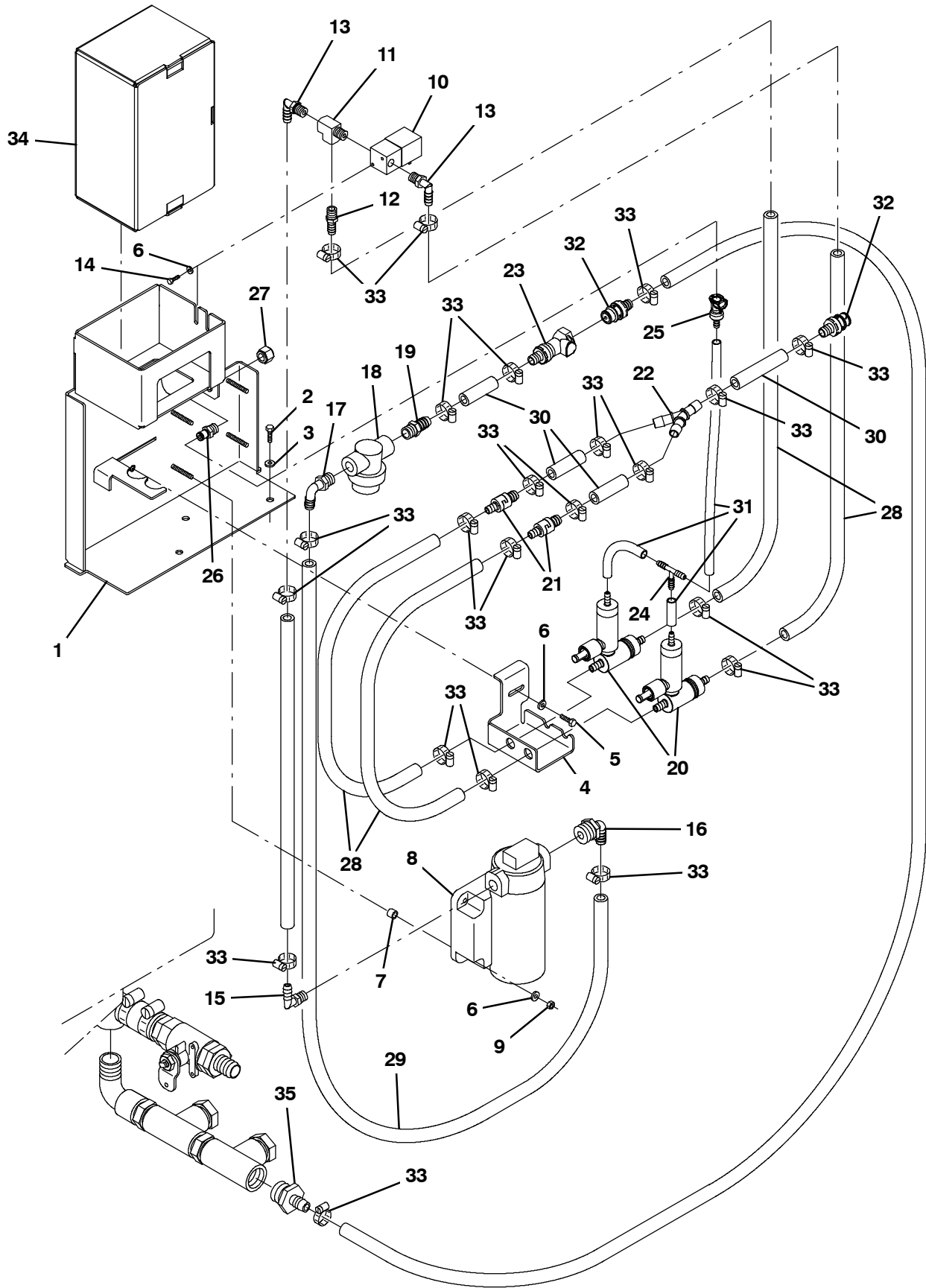


Fig. 18 - FaST Pumps and Detergent Group (003747-)

Ref.	Tennant Part No.	Machine Serial Number	Description	Qty.
1	1050771	(003747-)	Bracket Wldt [7300/8300 Fast li+]	1
2	16735	(003747-)	Screw, Hex, M8 X 1.25 X 16, 8.8	3
3	32491	(003747-)	Washer, Flat, 0.31, Std	3
4	1050805	(003747-)	Bracket, Mtg [Fast li+]	1
5	06942	(003747-)	Screw, Hex, M6 X 1.00 X 16, 8.8	1
6	01683	(003747-)	Washer, Flat, 10, Ss	7
7	360801	(003747-)	Sleeve, 0.32b 0.50d 0.3l, 2cham, Ss	4
8	1045633	(003747-)	Pump, Soltn, 36vdc, 65psi [Fast li+]	1
9	06549	(003747-)	Nut, Hex, Lock, M5 X 0.80, NI	4
10	1028581	(003747-)	Valve, Water, Solenoid, 36vdc 6.0mm Pf04	1
11	150709	(003747-)	Fitting, Brs, Tee, Pm04/Pf04/Pf04, Run	1
12	150540	(003747-)	Fitting, Plstc, Str, Bm06/Pm04	1
13	57248	(003747-)	Fitting, Plstc, E90, Bm06/Pm04, Nyl	2
14	12312	(003747-)	Screw, Hex, M5 X 0.80 X 12, 8.8	2
15	1049259	(003747-)	Fitting, Nyl, Qdc, E90, Bm06/ Qm10	1
16	1049254	(003747-)	Fitting, Nyl, Qdc, E90, Bm08/ Qm10	1
17	64778	(003747-)	Fitting, Plstc, E90, Bm08/Pm06	1
18	1005302	(003747-)	Filter, In-Line, Pf06/Pf06 080mesh 02.6l	1
19	64743	(003747-)	Fitting, Plstc, Str, Bm08/Pm06	1
20	9006118	(003747-)	Fast Kit, Injector, Ci [7300/8300] (See Breakdowns)	2
21	1035794	(003747-)	Valve, Check, 0005psi Bm06/Bm08	2
22	1010668	(003747-)	Fitting, Plstc, Y, Bm08/Bm08/Bm08, Nyl	1
23	1017413	(003747-)	Housing, Cplg, Qf / Pm08	2
24	150713	(003747-)	Fitting, Plstc, Tee, Bm04/Bm04/Bm04	1
25	1002898	(003747-)	Fitting, Plstc, Str, Bm04, Cplg, Fem	1
26	1002899	(003747-)	Fitting, Plstc, Str, Pm04, Cplg, Mal	1
27	1005435	(003747-)	Fitting, Plstc, Pipe, Cap, Pf04	1
28	1006400	(003747-)	Hose, Afmkt, Pvc, Brd, 0.38id, 03ft, Clr	2
29	1011521	(003747-)	Hose, Afmkt, Pvc, Brd, 0.50id, 02ft, Clr	1
30	1011403	(003747-)	Hose, Afmkt, Pvc, Brd, 0.50id, 01ft, Clr	1
31	1014986	(003747-)	Hose, Afmkt, Pvc, Clr, 0.25id, 02ft	1
32	1017415	(003747-)	Insert, Cplg, Qm, Bm08	2
33	54333	(003747-)	Clamp, Hose, Wormdrive, 0.31-0.88d, .31w	22
34	1021878	(003747-)	Fast 665 4 Ltr, Detergent	1
34	9002022	(003747-)	Fast 965 4 Ltr, Detergent	1
35	79273-1	(003747-)	Fitting, Plstc, Str, Bm08/Pm12	1

Fig. 19 - Solution Control Group

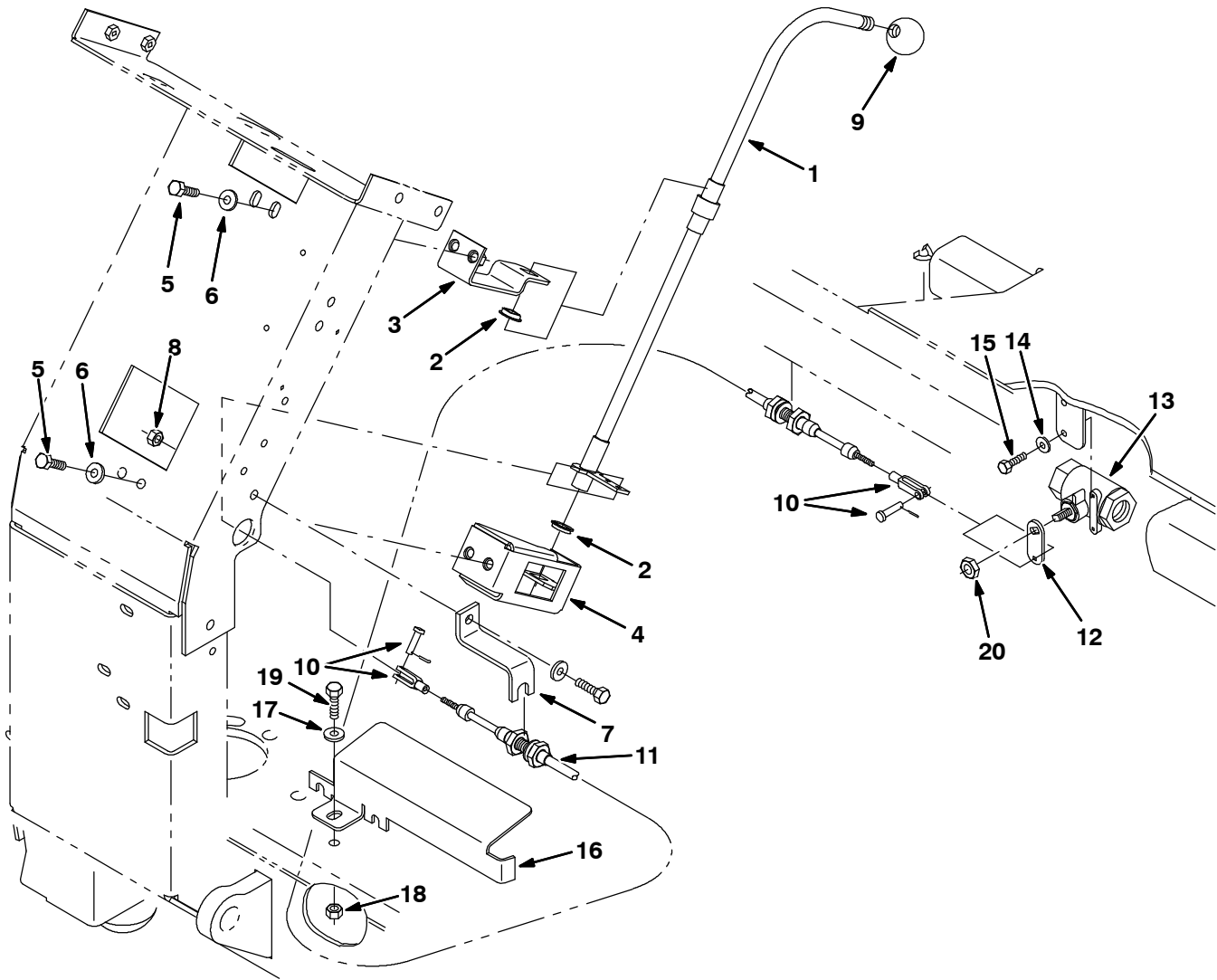


Fig. 19 - Solution Control Group

Ref.	Tennant Part No.	Machine Serial Number	Description	Qty.
1	386116	(000000-) Rod Wldt	1
2	04843	(000000-) Bushing, Flng, 0.63b 0.72d 0.25l	2
3	1056929	(000000-) Bracket, Handle, Water, Iron Gray	1
4	1056928	(000000-) Bracket Wldt, Hose, Water, Iron Gray	1
5	16735	(000000-) Screw, Hex, M08 X 1.25 X 16, 8.8	5
6	32491	(000000-) Washer, Flt, .31 Std	4
7	1056850	(000000-) Bracket, Cntrl, Cable, Iron Gray	1
8	08709	(000000-) Nut, Hex, Lock, M08 X 1.25,NI	1
9	26156	(000000-) Knob, 0.50-20, 1.38d, Plstc	1
10	27880	(000000-) Clevis, Adj, 0.19pin, #10-32	2
11	386351	(000000-) Cable, Push Pull	1
12	1057068	(000000-) Lever, Valve, Water, Iron Gray	1
13	79350	(000000-) Valve, Water	1
14	01683	(000000-) Washer, Flt, #10 Ss	2
15	42011	(000000-) Screw, Hex, #10-24 X 0.50, Ss	2
16	387425	(000000-004999) Bracket, Guard	1
16	1056481	(005000-) Bracket, Guard, Iron Gray	1
17	01684	(000000-) Washer, Flt, .25 Ss	1
18	08712	(000000-) Nut, Hex, Lock, M06 X 1.0, NI, Ss	1
19	09007	(000000-) Screw, Hex, M06 X 1.0 X 25, Ss	1
20	363453	(000000-) Nut, Hex, Lock, .44-20, NI, Thin	1

Fig. 20 - Recovery Tank Group

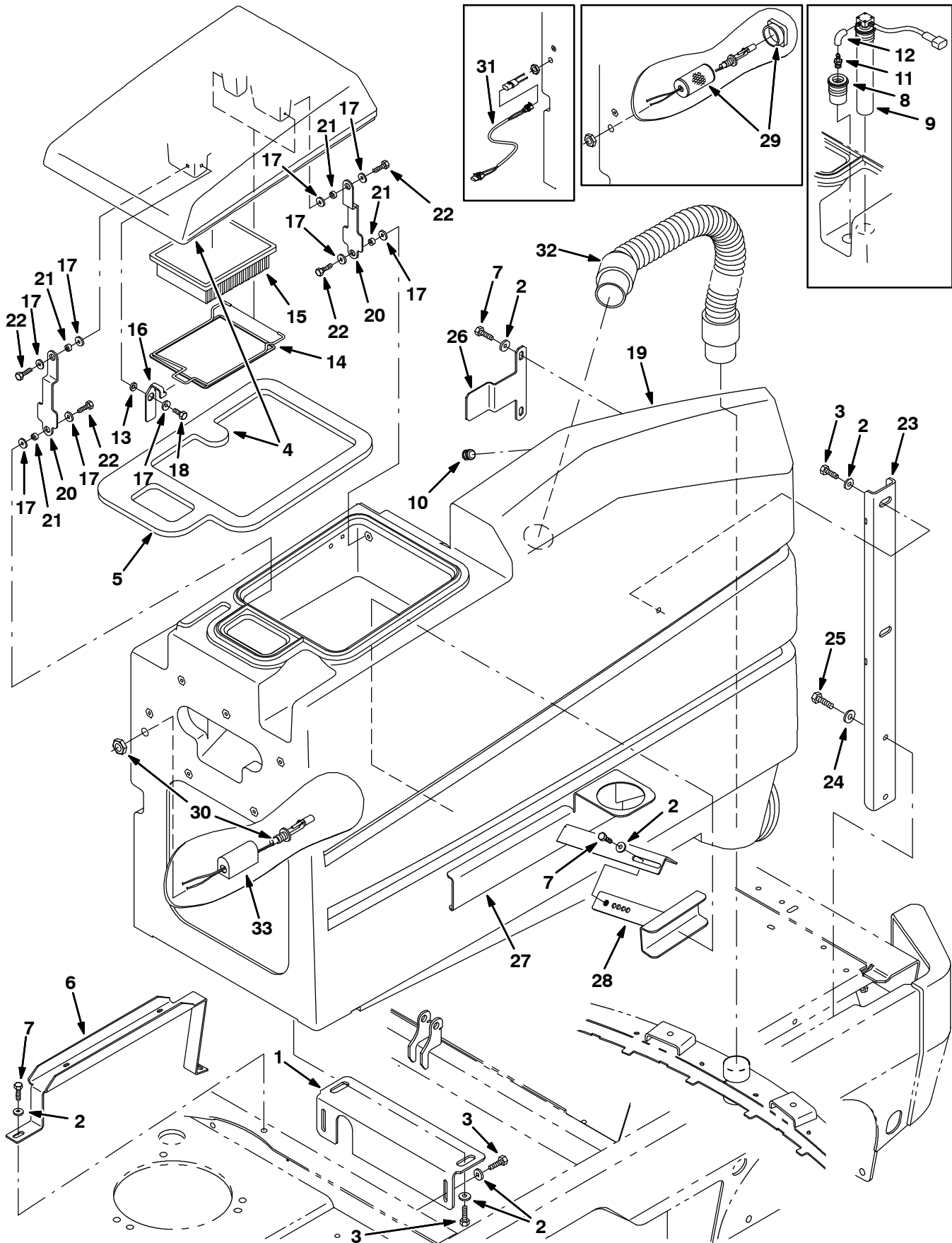


Fig. 20 - Recovery Tank Group

Ref.	Tennant Part No.	Machine Serial Number	Description	Qty.	
1	1056849	(000000-) Bracket, Mtg, Tank, Iron Gray	1	
2	01685	(000000-) Washer, Flt, .31 Ss	14	
3	12273	(000000-) Screw, Hex, M08 X 1.25 X 20, Ss, NI	6	
▽	4	387593	(000000-004999) Kit, Cover, Recvy, W/Gasket	1	
▲	5	386223	(000000-004999) Gasket, Tank, Recovery	1	
▽	4	9006966	(005000-) Cover Kit, Recvy, W/ Gasket, Teal	1
▲	5	386223	(005000-) Gasket, Ure, .50, 12.65w 18.89l, Adh	1
6	1056857	(000000-) Bracket, Harness, Iron Gray	1	
7	09740	(000000-) Screw, Hex, M08 X 1.25 X 20, Ss	6	
8	385750	(000000-001541)	Tube Assy, 2 Inch	1	
9	375429	(000000-001541)	Switch Assy, Press, 4 Inch	1	
10	386424	(000000-) Plug, Cap	1	
11	386425	(000000-001541)	Fitting, Plstc, [90 Bm03/Pm02]	1	
12	13292	(000000-001541)	Hose, Vacuum, 0.16id X 05.0l	2	
13	386785	(000000-) Spacer, Latch, Filter	1	
14	387615	(000000-) Bracket, Retainer, Filter	1	
15	1037822	(000000-) Filter, Panl, Dust, 2.0 X 06.1 X 07.6	1	
16	386325	(000000-) Bracket, Retaining, Filter	1	
17	01683	(000000-) Washer, Flt, #10 Ss	9	
18	15675	(000000-) Screw, Hex, M08 X 1.25 X 16, Ss	1	
19	387685	(000000-004999)	Tank Kit, Recvy, W/ Label, Replmt [7300]	1	
19	9006974	(005000-) Tank Kit, Recvy, W/ Label, Teal, Replmt	1	
20	386108	(000000-) Bar	2	
21	360801	(000000-) Sleeve	4	
22	12273	(000000-) Screw, Hex, M08 X 1.25 X 20, Ss, NI	4	
23	386160	(000000-) Channel	1	
24	01686	(000000-) Washer, Flt, .38 Ss	2	
25	77347	(000000-) Screw, Hex, M10 X 1.5 X 35, Ss	2	
26	1056868	(000000-) Bracket, Retaining, Iron Gray	1	
27	386444	(000000-) Bracket Wldt, Tank	1	
28	386445	(000000-) Bracket Wldt, Tank	1	
29	375302	(001542-002264)	Strainer, Soltn, Switch Guard (Repl. By 387649)	1	
30	222822	(001542-002036)	Sensor, Level, Liquid [Magnetic]	1	
30	385685	(002037-) Sensor, Level, Liquid, 14vdc 01a .62-11	1	
31	369766	(001542-002036)	Harness, Sensor, Jumper	1	
32	386267	(000000-) Hose, Vacuum, 89.0l	1	
33	1019285	(002265-) Bracket, Protector, Float Switch	1	

Fig. 21 - Recovery Tank Drain Assembly

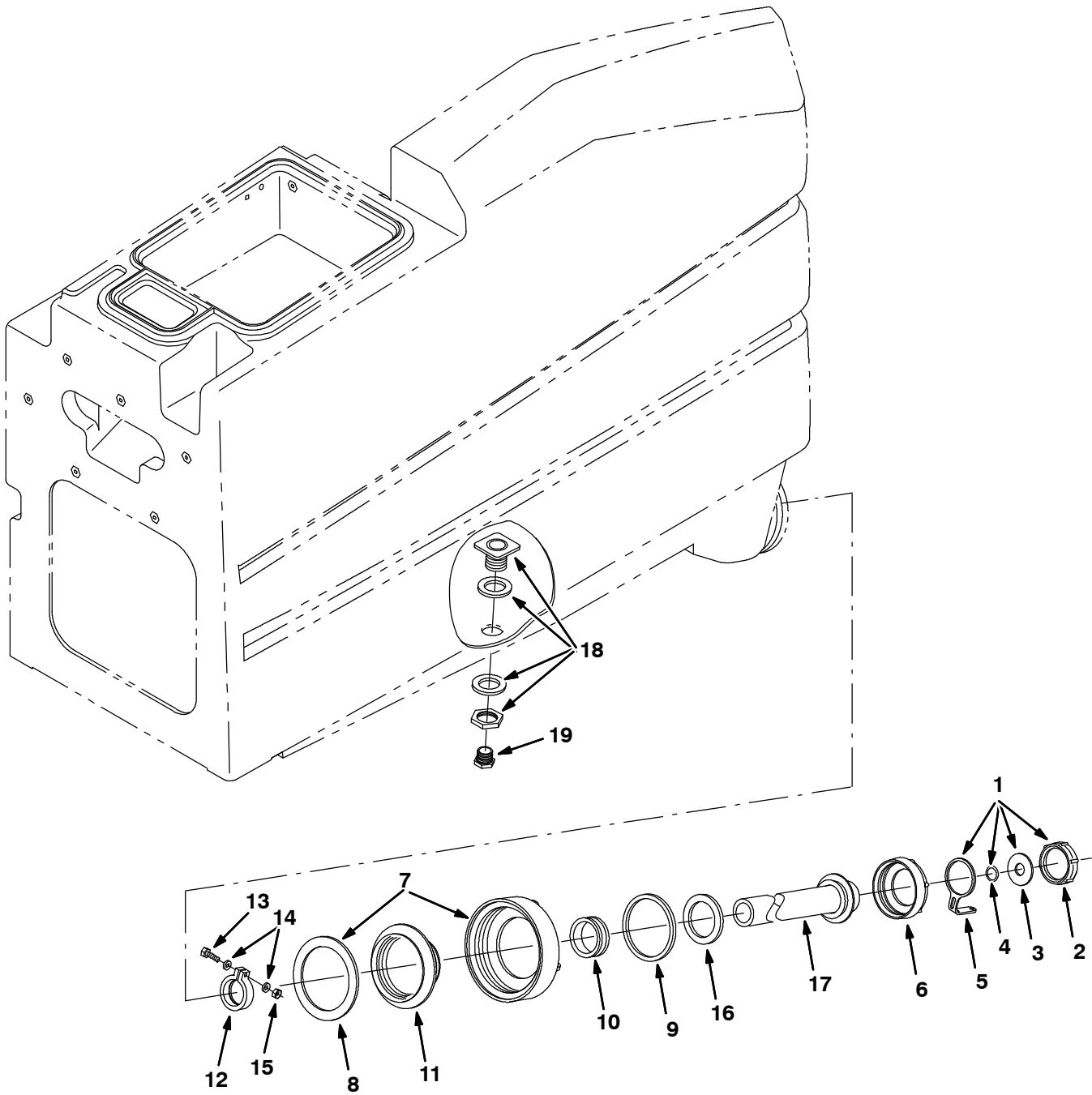


Fig. 21 - Recovery Tank Drain Assembly

Ref.	Tennant Part No.	Machine Serial Number	Description	Qty.
▽	387201	(000000-) Hose Assy, Drain	1
▲▽	1 32501	(000000-) Kit, Cap, Drain	1
▲▲	2 32613	(000000-) Cap, Tank, Drain, 2.25 Thread Pye	1
▲▲	3 32614	(000000-) Gasket, Cap	1
▲▲	4 32669	(000000-) Ring, Retaining, Ext, 0.75d, Ss	1
▲▲	5 32508	(000000-) Strap	1
▲	6 14880	(000000-) Cap, Tank, Drain, 3.85 Thread Pye	1
▲▽	7 24358	(000000-) Cap, Tank	1
▲▲	8 1031699	(000000-) Gasket, .19, 4.05id 5.29od [Buna]	1
▲	9 79320	(000000-) Gasket, Cap, Drain	1
▲	10 41421	(000000-) Seal	1
▲	11 14864	(000000-) Cover, Insert	1
▲	12 41454	(000000-) Clamp, Hose, Plstc, 1.60d X 0.62w	1
▲	13 12316	(000000-) Screw, Hex, M05 X 0.8 X 25, Ss	1
▲	14 01683	(000000-) Washer, Flt, #10 Ss	1
▲	15 09739	(000000-) Nut, Hex, Lock, M05 X 0.8, NI, Ss	1
▲	16 41451	(000000-) Gasket, Lid	1
▲	17 386423	(000000-) Hose Assy, Drain	1
	18 377349	(000000-) Fitting, Plstc, Bkhd, Pf12/Pf12	1
	19 75611	(000000-) Fitting, Plstc, Plug, Pm12	1

Fig. 22 - Vacuum Fan Group

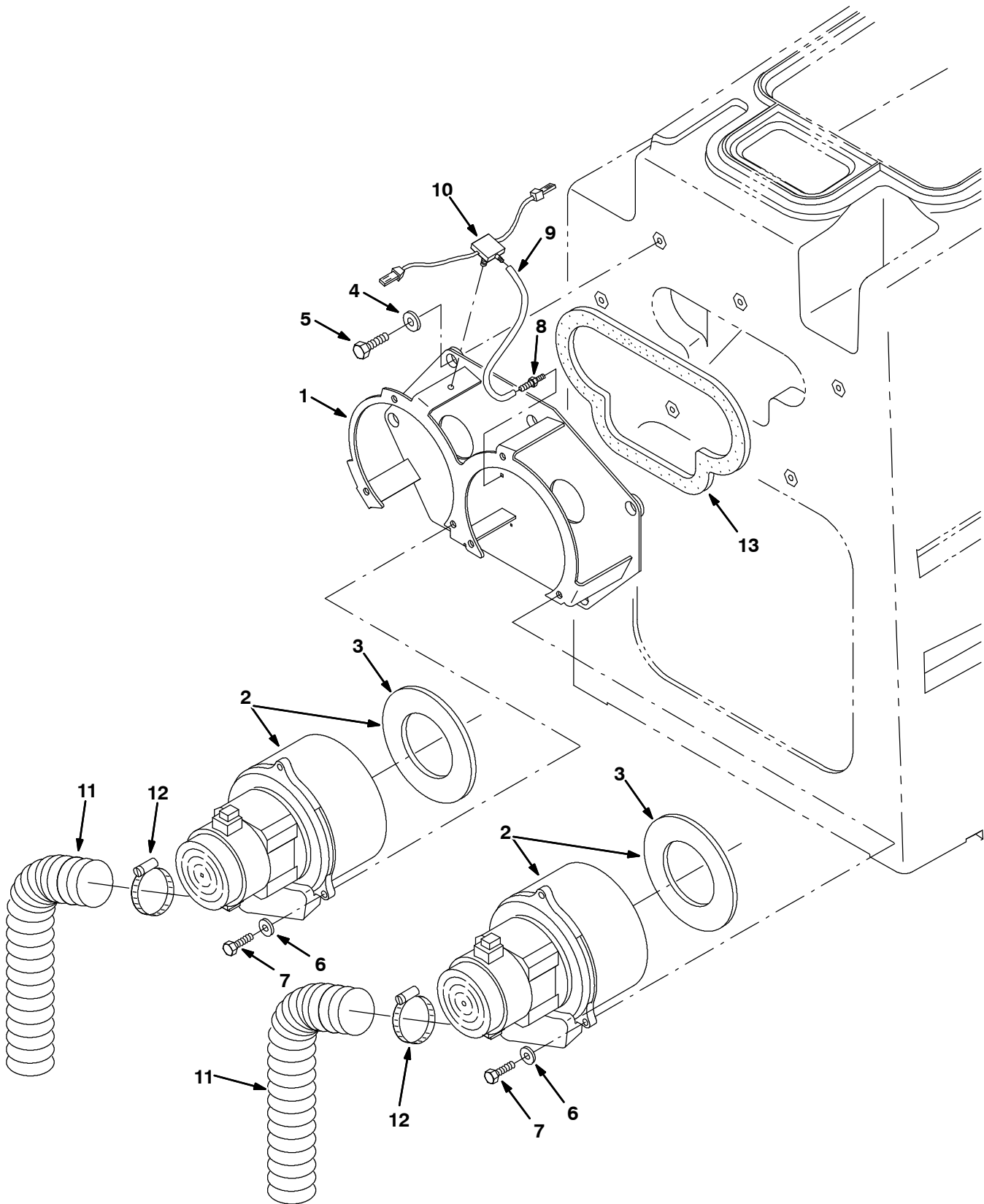


Fig. 22 - Vacuum Fan Group

Ref.	Tenant Part No.	Machine Serial Number	Description	Qty.
	1	386321	(000000-003472) Bracket Wldt, Mtg, Fan	1
	1	1056941	(003473-) Bracket Wldt, Mtg, Fan, Iron Gray	1
▽	2	17363	(000000-001557) Fan Assy, Vacuum (See Breakdown) (Replaced by 398520)	2
▲	3	223264	(000000-001557) Seal, Rbr, Clsd, 0.25th, 5.8d 03.3h	1
▽	2	398520	(001558-003472) Fan Assy, Vacuum (See Breakdown)	2
▲	3	223264	(001558-003472) Seal, Rbr, Clsd, 0.25th, 5.8d 03.3h	1
▽	2	1039617	(003473-) Fan, Vacuum, 5.7D, 036Vdc, 3 Stage	1
▲	3	10912	(003473-) Seal, Rbr, Clsd, 0.375, 5.0D 2.5H	1
	4	13248	(000000-) Washer, 0.40b 1.12d .12, Stl, PI	6
	5	15675	(000000-) Screw, Hex, M08 X 1.25 X 16, Ss	6
	6	32483	(000000-) Washer, Flat, 0.25, Sae	6
	7	06943	(000000-) Screw, Hex, M6 X 1.00 X 20, 8.8	6
	8	40607	(000000-) Fitting, Brs, Str, Pm02/Bm03	1
	9	13292	(000000-) Hose, Vacuum, 0.16id X 05.0l	1
	10	386349	(000000-) Switch, Vacuum, Dual Level	1
	11	387499	(000000-) Hose, Vacuum	2
	12	22297	(000000-) Clamp, Hose, Wormdrive, 1.56-2.50d	2
	13	386323	(000000-) Gasket, Mtg, Fan	1

Fig. 23 - Scrub Head Lift Group

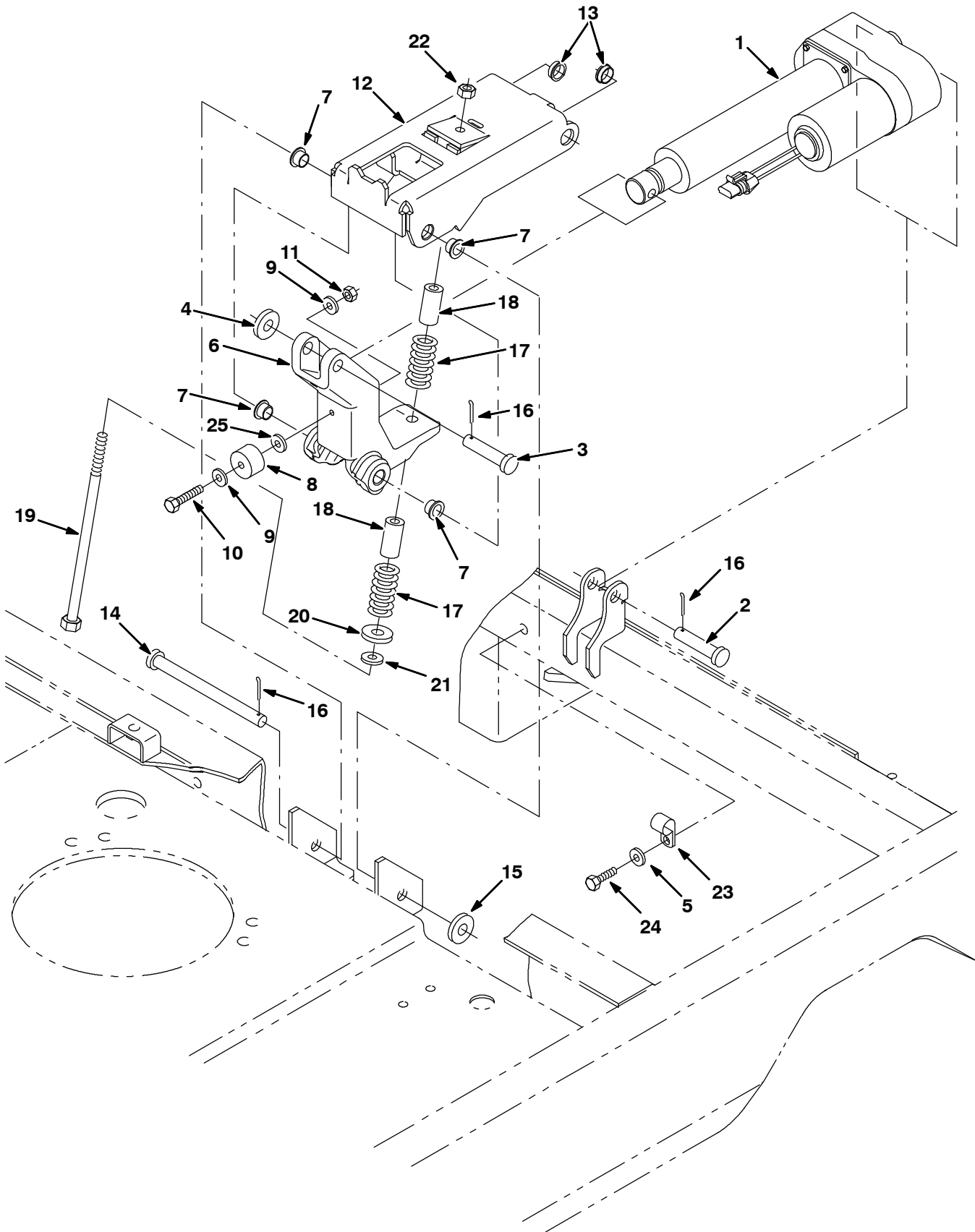


Fig. 23 - Scrub Head Lift Group

Ref.	Tennant Part No.	Machine Serial Number	Description	Qty.
1	386985	(000000-) Actuator, 36vdc, 7.0stroke, 700lb	1
2	43290	(000000-) Pin, Clevis, 0.50 D X 1.75l	1
3	06279	(000000-) Pin, Clevis, 0.50 D X 2.50l	1
4	32493	(000000-) Washer, Flt, .50 Std	1
5	01684	(000000-) Washer, Flt, .25 Ss	1
6	1056919	(000000-) Bellcrank, Lift, Head, Iron Gray	1
7	15648	(000000-) Bushing, Flng, 0.50b 0.59d 0.38l	4
8	386988	(000000-) Bumper, Rbr, 1.19d .72l	1
9	01683	(000000-) Washer, Flt, #10 Ss	2
10	12316	(000000-) Screw, Hex, M05 X 0.8 X 25, Ss	1
11	09739	(000000-) Nut, Hex, Lock, M05 X 0.8, NI, Ss	1
12	1056842	(000000-) Arm Wldt, Lift, Scb Head, Gray [7300]	1
13	04843	(000000-) Bushing, Flng, 0.63b 0.72d 0.25l	2
14	51225	(000000-) Pin, Clevis, 0.50 D X 5.50l	1
15	41619	(000000-) Washer, Flt, .50 Ss	1
16	08182	(000000-) Pin, Cotter, .125 X 1.00	3
17	386049	(000000-) Spring, Cmpr, 1.5 Od .75id X 2.5l	2
18	386961	(000000-) Sleeve, .38b X .75d X 1.5l, Bronze	2
19	14455	(000000-) Screw, Hex, M08 X 1.25 X 160, 8.8	1
20	41619	(000000-) Washer, Flt, .50 Ss	1
21	01685	(000000-) Washer, Flt, .31 Ss	1
22	08713	(000000-) Nut, Hex, Lock, M08 X 1.25,NI, Ss	1
23	26395-1	(000000-) Clamp, Cable, Stl, 0.56d X 0.38w, 1h	1
24	12459	(000000-) Screw, Hex, M06 X 1.0 X 20, Fmg	1
25	13248	(000000-) Washer, Flat, 0.40b 1.12d .12, Stl, PI	1

Fig. 24 - Max Pro 1000 (Disc-Brush) Scrub Head Frame Group

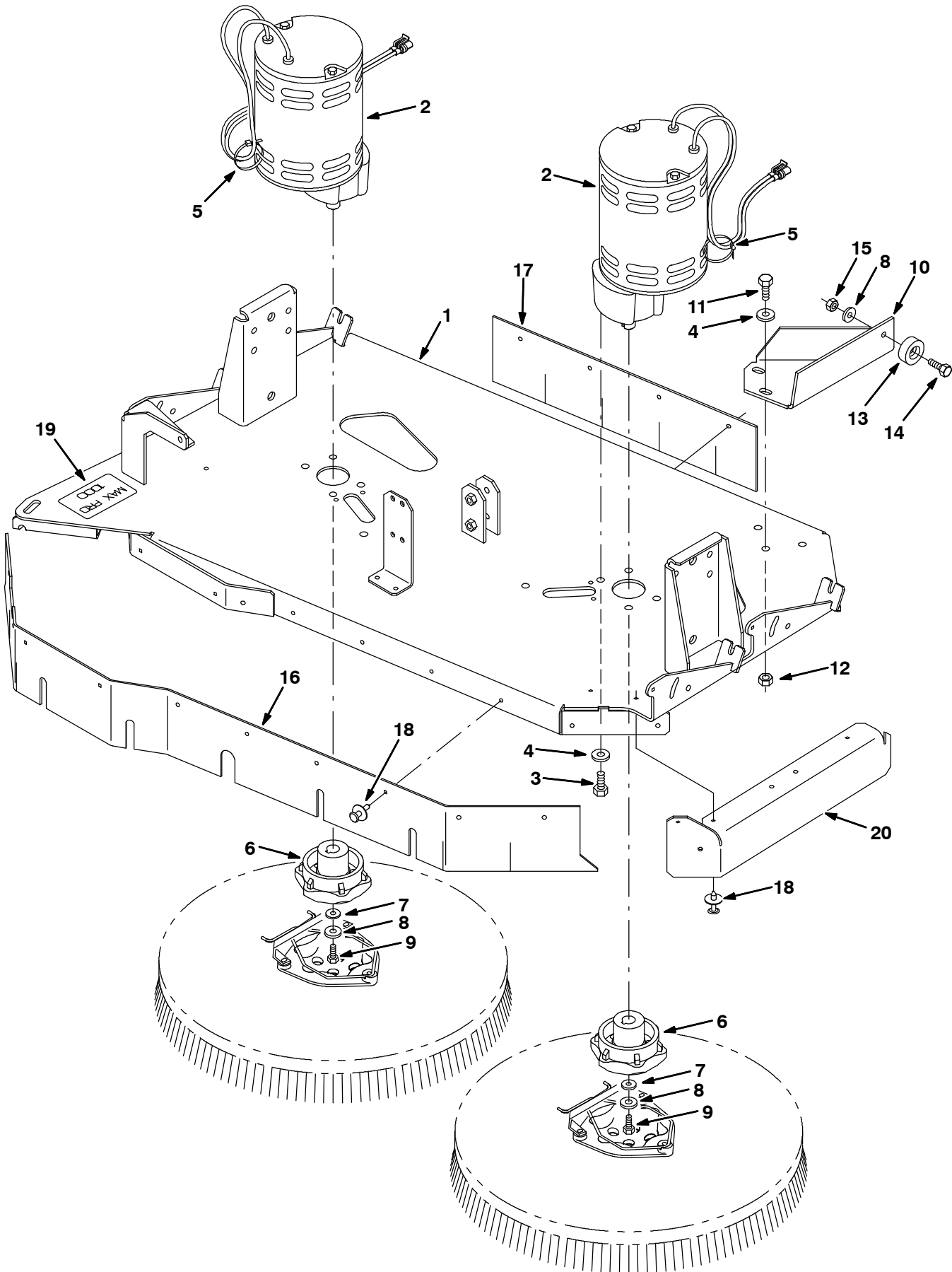


Fig. 24 - Max Pro 1000 (Disc-Brush) Scrub Head Frame Group

Ref.	Tennant Part No.	Machine Serial Number	Description	Qty.
1	1056862	(000000-) Frame Wldt, Scb Head, 2 Brush, Ele, Gray	1
2	386687	(000000-) Motor, Ele, 36vdc 1.00hp 0300rpm, Gear (Standard) (See Breakdown)	2
2	386679	(000000-003244) Motor, Gear, Ele, 1.5hp, 36vdc, 300rpm (Heavy Duty) (See Breakdown) (Replaced by 387585AM)	2
2	387585	(003245-) Motor, Ele, 36vdc 1.50hp 0300rpm, Gear (Heavy Duty) (See Breakdown)	2
3	34195	(000000-) Screw, Hex, .38-16 X 1.00, NI	8
4	01686	(000000-) Washer, Flt, .38 Ss	11
5	49263	(000000-) Tie, Cable, Nyl, 11.4l .19w 3.0 Max D	2
6	377364	(000000-) Hub, Drive, Brush, Disk, 0.75B 6T	2
7	41186	(000000-) Washer, Belleville, .31	2
8	01685	(000000-) Washer, Flt, .31 Ss	3
9	32124	(000000-) Screw, Hex, .31-18 X 1.00, Ss, NI	2
10	387976	(000000-) Bracket, Stop, Frame	1
11	09028	(000000-) Screw, Hex, M10 X 1.5 X 25, Ss	3
12	08714	(000000-) Nut, Hex, Lock, M10 X 1.5, NI, Ss	3
13	15023	(000000-) Bumper, Pye	1
14	09010	(000000-) Screw, Hex, M08 X 1.25 X 25, Ss	1
15	08713	(000000-) Nut, Hex, Lock, M08 X 1.25,NI, Ss	1
16	386387	(000000-) Skirt, Front, Scrub Head, 2-Brush, Ele	1
17	386388	(000000-) Skirt, Rear, Scrub Head, 2-Brush, Ele	1
18	72968	(000000-) Rivet, Plstc, .250 X 0.898	24
19	365156	(000000-) Label Set, Info/Hzrd, [Maxpro]	1
20	387294	(000000-) Skirt, Side, Scrub Head, 2-Brush, Ele	2

Fig. 25 - Max Pro 1000 (Disc-Brush) Scrub Head Linkage Group

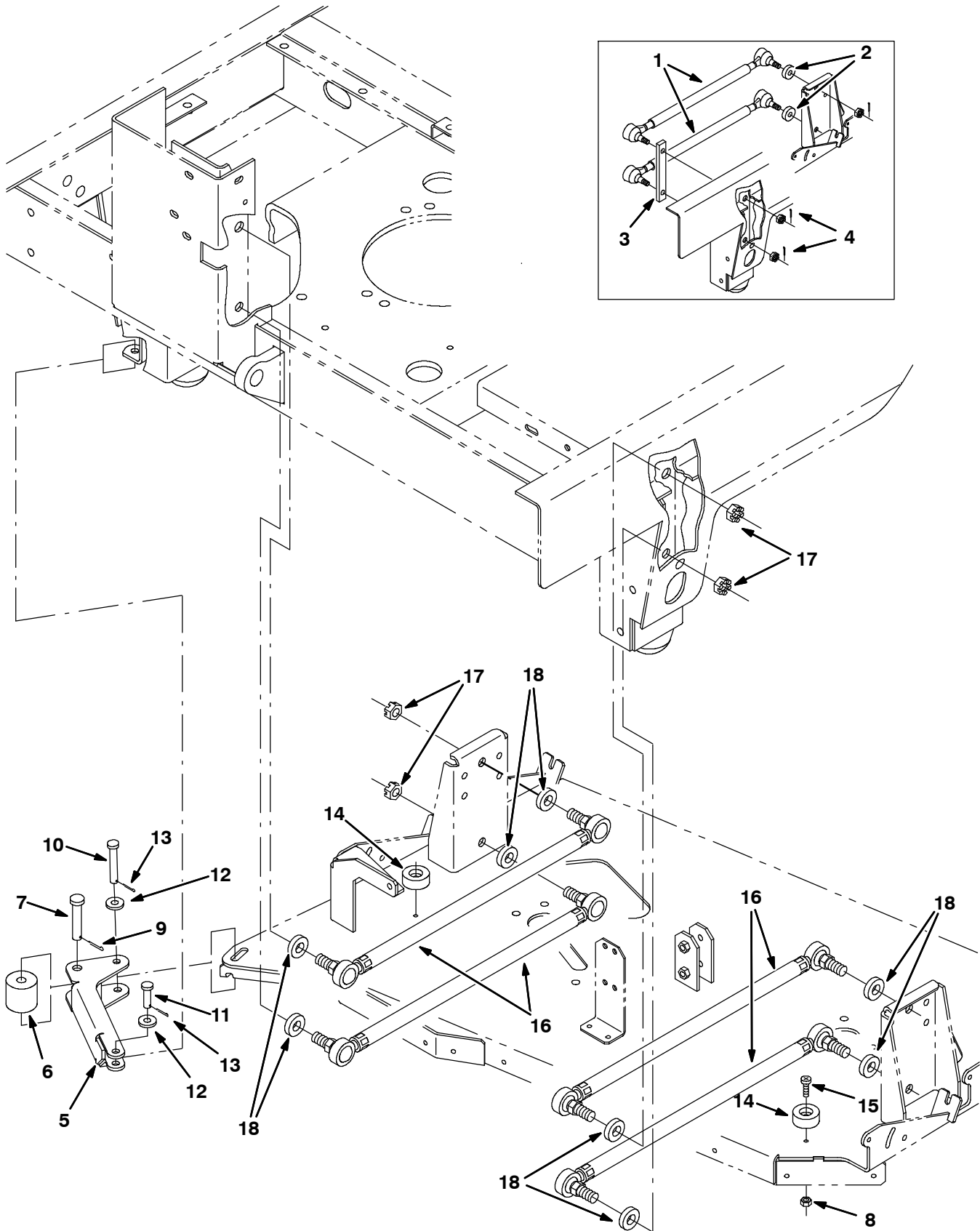


Fig. 25 - Max Pro 1000 (Disc-Brush) Scrub Head Linkage Group

Ref.	Tennant Part No.	Machine Serial Number	Description	Qty.
1	14523	(000000-003695)	Link, Lift, Squeegee (Replaced by 9005752)	4
2	14524	(000000-003695)	Spacer, Washer	4
3	24254	(000000-003695)	Link, .38 1.0w 07.5l 2/1.5h	2
4	08346	(000000-003695)	Pin, Cotter, .125 X 0.75	8
5	1001099	(000000-004999)	Guard, Kick In, Scb Head	1
5	1056390	(005000-	Guard, Kick In, Scb Head, Iron Gray	1
6	72946	(000000-	Roller	1
7	06279	(000000-	Pin, Clevis, 0.50 D X 2.50l	1
8	08712	(000000-	Nut, Hex, Lock, M06 X 1.0, NI, Ss	2
9	08182	(000000-	Pin, Cotter, .125 X 1.00	1
10	365180	(000000-	Pin, Clevis, 0.38 D X 2.50l	1
11	29557	(000000-	Pin, Clevis, 0.37 D X 1.31l	1
12	01686	(000000-	Washer, Flt, .38 Ss	2
13	39005	(000000-	Pin, Cotter, .094 X 0.75	2
14	364614	(000000-	Bumper, Neo, 1.5d .63t .31h	2
15	08716	(000000-	Screw, Hex, M06 X 1.0 X 20, Ss	2
16	1050195	(003696-	Link Assy, Rod-End, .63-18	4
17	40814	(003696-	Nut, Hex, Lock, .62-18, NI, Thin	8
18	1057066	(003696-	Tube, 0.69ld 1.25Od 00.4L, Rod-End, Gray	8

STANDARD PARTS

Fig. 26 - Max Pro 1000 (Disc-Brush) Solution Valve Group

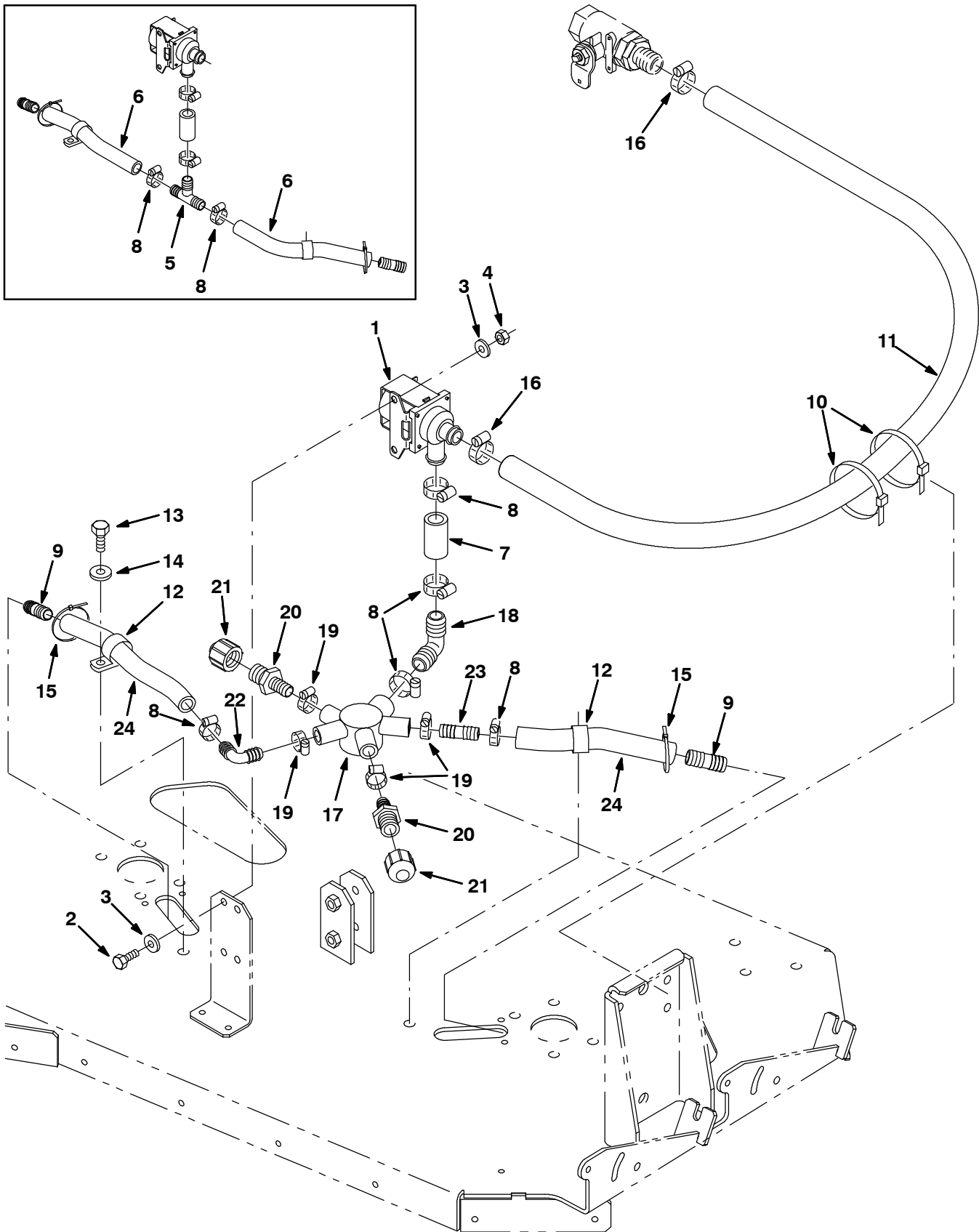


Fig. 26 - Max Pro 1000 (Disc-Brush) Solution Valve Group

Ref.	Tennant Part No.	Machine Serial Number	Description	Qty.
1	84028	(000000-) Valve, Water	1
2	15678	(000000-) Screw, Hex, M06 X 1.0 X 16, Ss	2
3	32490	(000000-) Washer, Flt, .25 Std	4
4	08712	(000000-) Nut, Hex, Lock, M06 X 1.0, NI, Ss	2
5	16356	(000000-001986) Fitting, Plstc, Tee, Bm10/Bm10/Bm10	1
6	223699	(000000-001986) Hose, Pvc, Brd, 0.62id 0.91od 10.30l	1
7	16914	(000000-) Hose, Pvc, Brd, 0.75id 1.03od 02.00l	1
8	63810	(000000-) Clamp, Hose, Wormdrive, 0.56-1.06d, .56w	6
9	365164	(000000-) Fitting, Plstc, Str, Bm10/Bm10	2
10	44961	(000000-) Tie, Cable, Nyl, 14.5l .30w 4.0 Max D	2
11	73474	(000000-) Hose, Pvc, Brd, 0.75id 1.03od 44.50l	1
12	40678-1	(000000-) Clamp, Cable, Stl, 0.88d X 0.62w, 1h	2
13	12273	(000000-) Screw, Hex, M08 X 1.25 X 20, Ss, NI	2
14	01685	(000000-) Washer, Flt, .31 Ss	2
15	49266	(000000-) Tie, Cable, Nyl, 07.3l .19w 1.8 Max D	2
16	11399	(000000-) Clamp, Hose, Wormdrive, 0.81-1.50d	2
17	1012528	(001987-) Manifold, Soltn, Cntrl	1
18	40566	(001987-) Fitting, Plstc, E90, Bm12/Bm12	1
19	54333	(001987-) Clamp, Hose, Wormdrive, 0.31-0.88d, .31w	4
20	79273-4	(001987-) Fitting, Plstc, Str, Bm08/Pm08	2
21	1015558	(001987-) Fitting, Plstc, Cap, Pf08	2
22	63987-1	(001987-) Fitting, Plstc, E90, Bm08/Bm08	1
23	364631	(001987-) Fitting, Plstc, Str, Bm08/Bm08	1
24	1011521	(001987-) Hose, Afmkt, Pvc, Brd 0.50id 2ft	1

STANDARD PARTS

Fig. 27 - Max Pro 1000 (Disc-Brush) Solution Valve Group (FaST/ec-H2O)

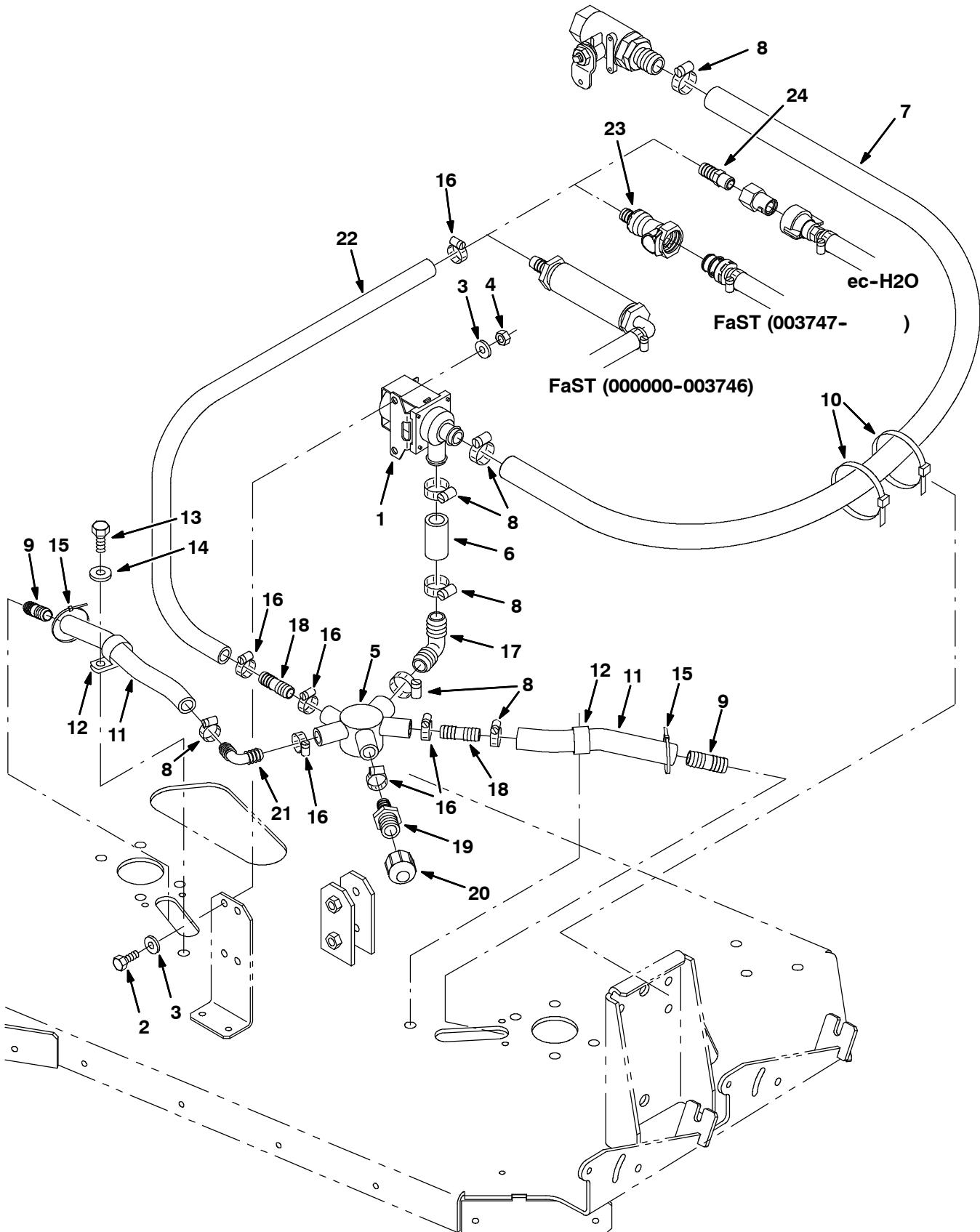


Fig. 27 - Max Pro 1000 (Disc-Brush) Solution Valve Group (FaST/ec-H2O)

Ref.	Tennant Part No.	Machine Serial Number	Description	Qty.
1	84028	(000000-) Valve, Water	1
2	15678	(000000-) Screw, Hex, M06 X 1.0 X 16, Ss	2
3	32490	(000000-) Washer, Flt, .25 Std	4
4	08712	(000000-) Nut, Hex, Lock, M06 X 1.0, NI, Ss	2
5	1012528	(000000-) Manifold, Soltn, Cntrl	1
6	16914	(000000-) Hose, Pvc, Brd, 0.75id 1.03od 02.00l	1
7	1015045	(000000-) Hose, Afmkt, Pvc, Brd, 0.75id 8 Ft	1
8	63810	(000000-) Clamp, Hose, Wormdrive, 0.56-1.06d, .56w	10
9	365164	(000000-) Fitting, Plstc, Str, Bm10/Bm10	2
10	44961	(000000-) Tie, Cable, Nyl, 14.5l .30w 4.0 Max D	2
11	73474	(000000-) Hose, Pvc, Brd, 0.75id 1.03od 44.50l	2
12	40678-1	(000000-) Clamp, Cable, Stl, 0.88d X 0.62w, 1h	2
13	12273	(000000-) Screw, Hex, M08 X 1.25 X 20, Ss, NI	2
14	01685	(000000-) Washer, Flt, .31 Ss	2
15	49266	(000000-) Tie, Cable, Nyl, 07.3l .19w 1.8 Max D	2
16	54333	(000000-) Clamp, Hose, Wormdrive, 0.31-0.88d	6
17	40566	(000000-) Fitting, Plstc, E90, Bm12/Bm12	1
18	364631	(000000-) Fitting, Plstc, Str, Bm08/Bm08	2
19	79273-4	(000000-) Fitting, Plstc, Str, Bm08/Pm08	1
20	1015558	(000000-) Fitting, Plstc, Cap, Pf08	1
21	63987-1	(000000-) Fitting, Plstc, E90, Bm08/Bm08	1
22	1011403	(000000-) Hose, Afmkt, Pvc, Brd 0.50id 1ft	1
23	48610	(003747-) Fitting, Plstc, Str, Bm08/Pm04 (FaST)	1
24	1017413	(000000-) Housing, Cplg, Qf / Pm08 (ec-H2O)	1

Fig. 28 - Max Pro 1000 (Disc-Brush) Edge Scrub Group

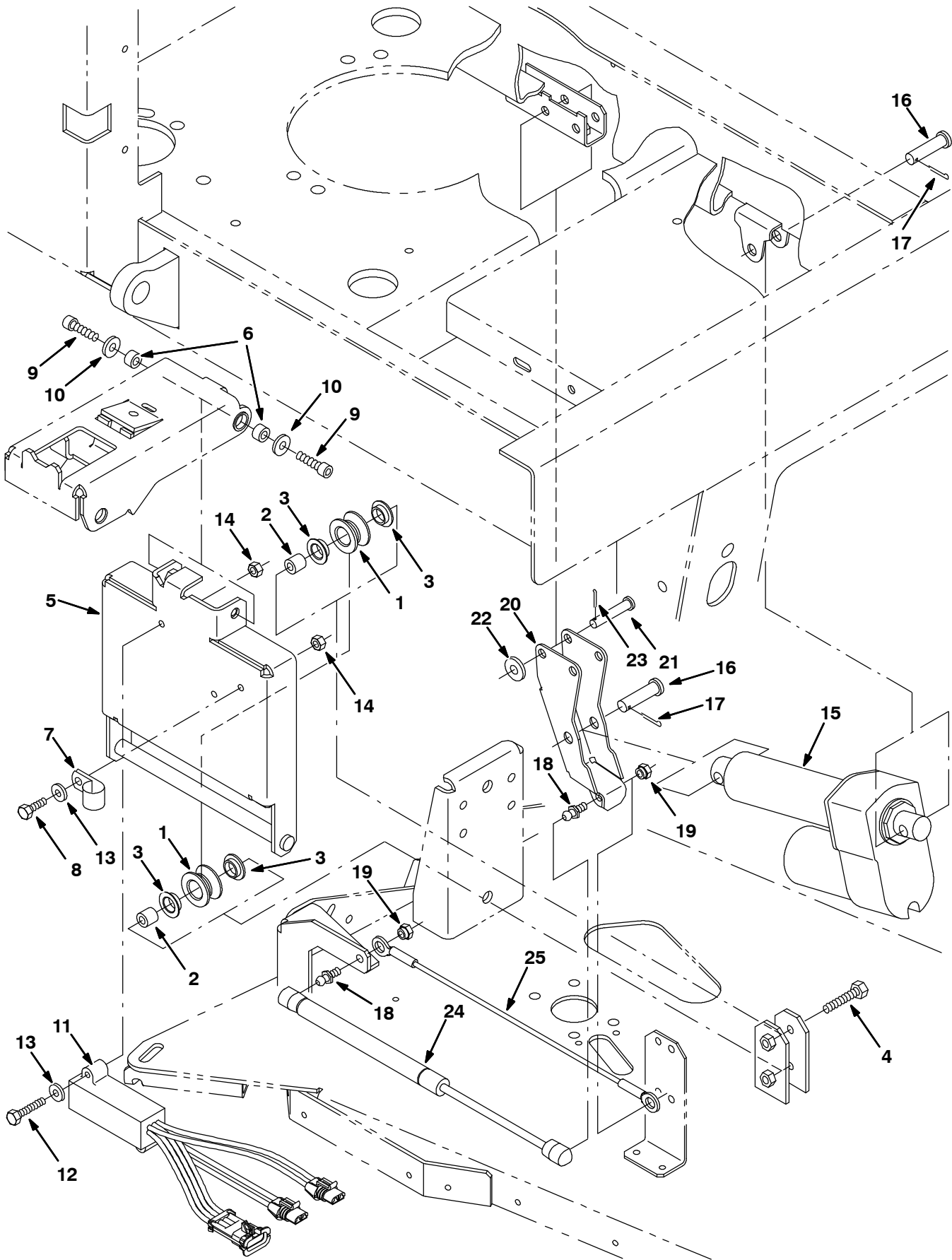


Fig. 28 - Max Pro 1000 (Disc-Brush) Edge Scrub Group

Ref.	Tennant Part No.	Machine Serial Number	Description	Qty.
1	363120	(000000-) Roller	2
2	222277	(000000-) Sleeve	2
3	04843	(000000-) Bushing, Flng, 0.63b 0.72d 0.25l	4
4	222505	(000000-) Screw, Hex, M08 X 1.25 X 45, Ss	2
5	1056844	(000000-) Rail Wldt, Lift, Disk Head, Iron Gray	1
6	222556	(000000-) Sleeve	2
7	67767	(000000-) Clamp, Cable, Stl, 0.69d X 0.62w, 1h	1
8	08716	(000000-) Screw, Hex, M06 X 1.25 X 25, Ss, NI	1
9	39308	(000000-) Screw, Soc, M08 X 1.25 X 25, 12.9	2
10	01685	(000000-) Washer, Flt, .31 Ss	2
11	363236	(000000-) Shunt, 2 Std Motor, Blk [SCB 515] (For Standard Motor)	1
11	363237	(000000-) Shunt, 2 Hd Motor, Red [SCB 515] (For Heavy Duty Motor)	1
12	33930	(000000-) Screw, Hex, M06 X 1.0 X 40, Ss	2
13	01684	(000000-) Washer, Flt, .25 Ss	3
14	08712	(000000-) Nut, Hex, Lock, M06 X 1.0, NI, Ss	3
15	363152	(000000-) Actuator, 36vdc, 02.7stroke 500lb	1
16	63147	(000000-) Pin, Clevis, 0.50 D X 1.87l	2
17	08182	(000000-) Pin, Cotter, .125 X 1.00	2
18	58494	(000000-) Stud, Ball, .39d .31-16, Gasspring	2
19	14725	(000000-) Nut, Retainer, .31-18	2
20	1056845	(000000-) Arm Wldt, Pivot, Side, Gray [7300/8300]	1
21	29584	(000000-) Pin, Clevis, 0.37 D X 2.00l	1
22	01686	(000000-) Washer, Flt, .38 Ss	1
23	39005	(000000-) Pin, Cotter, .094 X 0.75	1
24	364858	(000000-) Gasspring, 56lb, 6.3strk	1
25	364404	(000000-) Cable, .13d, 15.5l, .50eye /.50eye	1

Fig. 29 - Max Pro 1000 (Disc-Brush) Right Side Squeegee Group

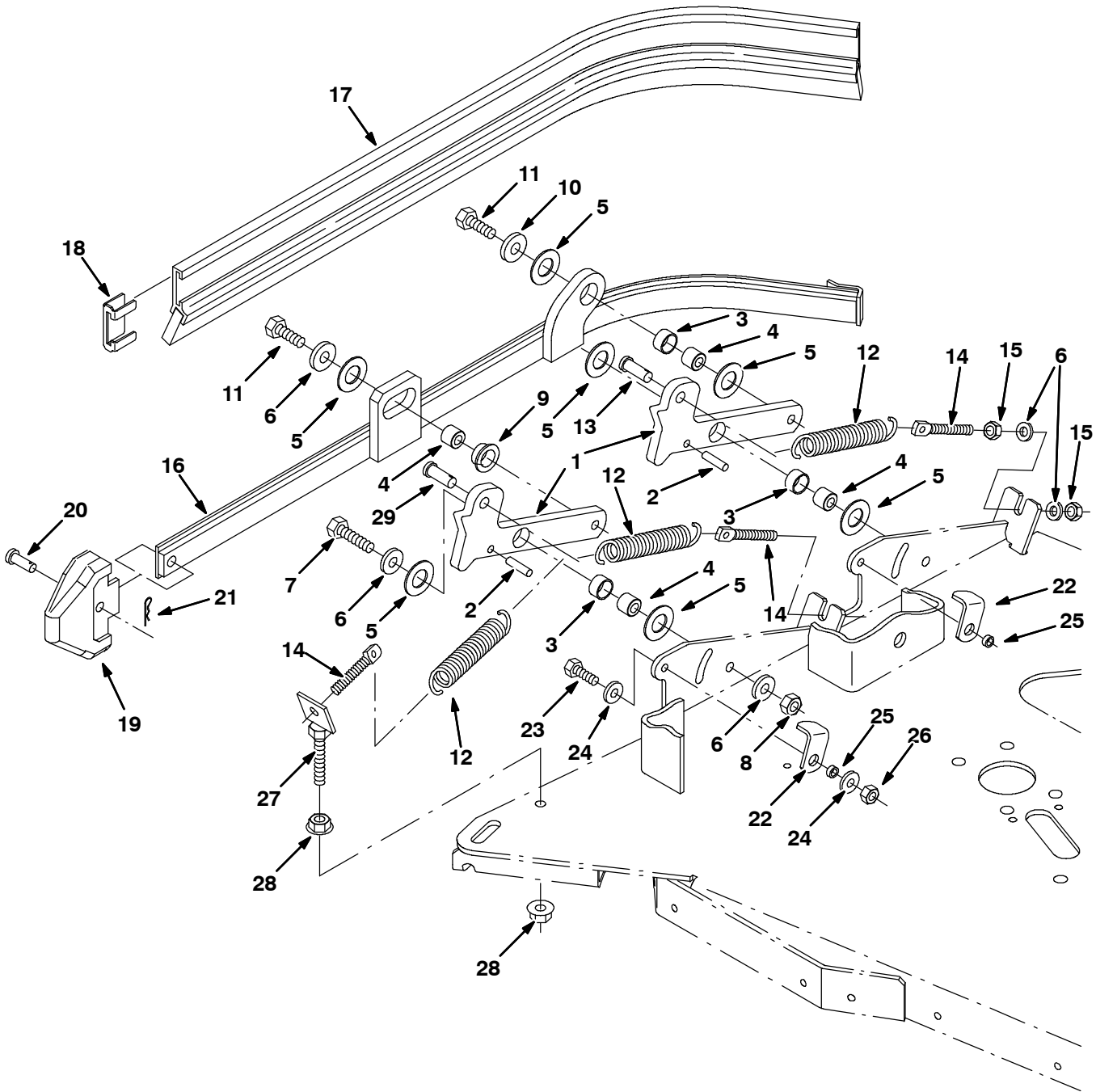


Fig. 29 - Max Pro 1000 (Disc-Brush) Right Side Squeegee Group

Ref.	Tennant Part No.	Machine Serial Number	Description	Qty.
1	1056863	(000000-) Arm, Mtg, Side Sqge Frame, Ele, Gray	2
2	17404	(000000-) Pin, Roll, .250 D X 0.75l, .250/.256	2
3	71607	(000000-) Bushing, Sleeve, 0.63b 0.72d 0.38l	3
4	386356	(000000-) Sleeve, P/M, 0.625d 0.335b 0.52l Ss	4
5	64425	(000000-) Washer, Thrust, 0.61b 1.25d .06, Fgl	7
6	01685	(000000-) Washer, Flt, .31 Ss	7
7	09023	(000000-) Screw, Hex, M08 X 1.25 X 35, Ss	2
8	08713	(000000-) Nut, Hex, Lock, M08 X 1.25, NI, Ss	2
9	25735	(000000-) Bushing, Flng, 0.63b 0.75d 0.38l	2
10	01686	(000000-) Washer, Flt, .38 Ss	1
11	12333	(000000-) Screw, Hex, M08 X 1.25 X 25, Ss, NI	2
12	87816	(000000-) Spring, Extn, 0.75od X 0.09wir, 2.5l	3
13	76653	(000000-) Pin, Clevis, 0.37 D X 1.00l	1
14	386088	(000000-) Bolt, Eye, M8 X 1.25, 2.75l	3
15	07786	(000000-) Nut, Hex, Std, M08 X 1.25, Ss	6
16	386263	(000000-) Frame Wldt, Sqge, Side, Rh	1
17	386260	(000000-) Squeegee, Side	1
18	86759	(000000-) Retainer, Sqge	1
19	386986	(000000-) Guide, Point, Side Sqge	1
20	386987	(000000-) Pin, Clevis, 0.31d 0.88l	1
21	86866	(000000-) Pin, Hair Cotter, 0.38 D .072 Wir	1
22	386391	(000000-) Latch, Double Scrub, Side Sqge	2
23	08716	(000000-) Screw, Hex, M06 X 1.0 X 20, Ss	2
24	01684	(000000-) Washer, Flt, .25 Ss	4
25	80491	(000000-) Sleeve	2
26	08712	(000000-) Nut, Hex, Lock, M06 X 1.0, NI, Ss	2
27	1007632	(000000-) Bracket Wldt, Mtg, Spring	1
28	27980	(000000-) Nut, Hex, Flng, .38-16	2
29	29558	(000000-) Pin, Clevis, 0.37 D X 1.50l	1

Fig. 30 - Max Pro 1000 (Disc-Brush) Left Side Squeegee Group

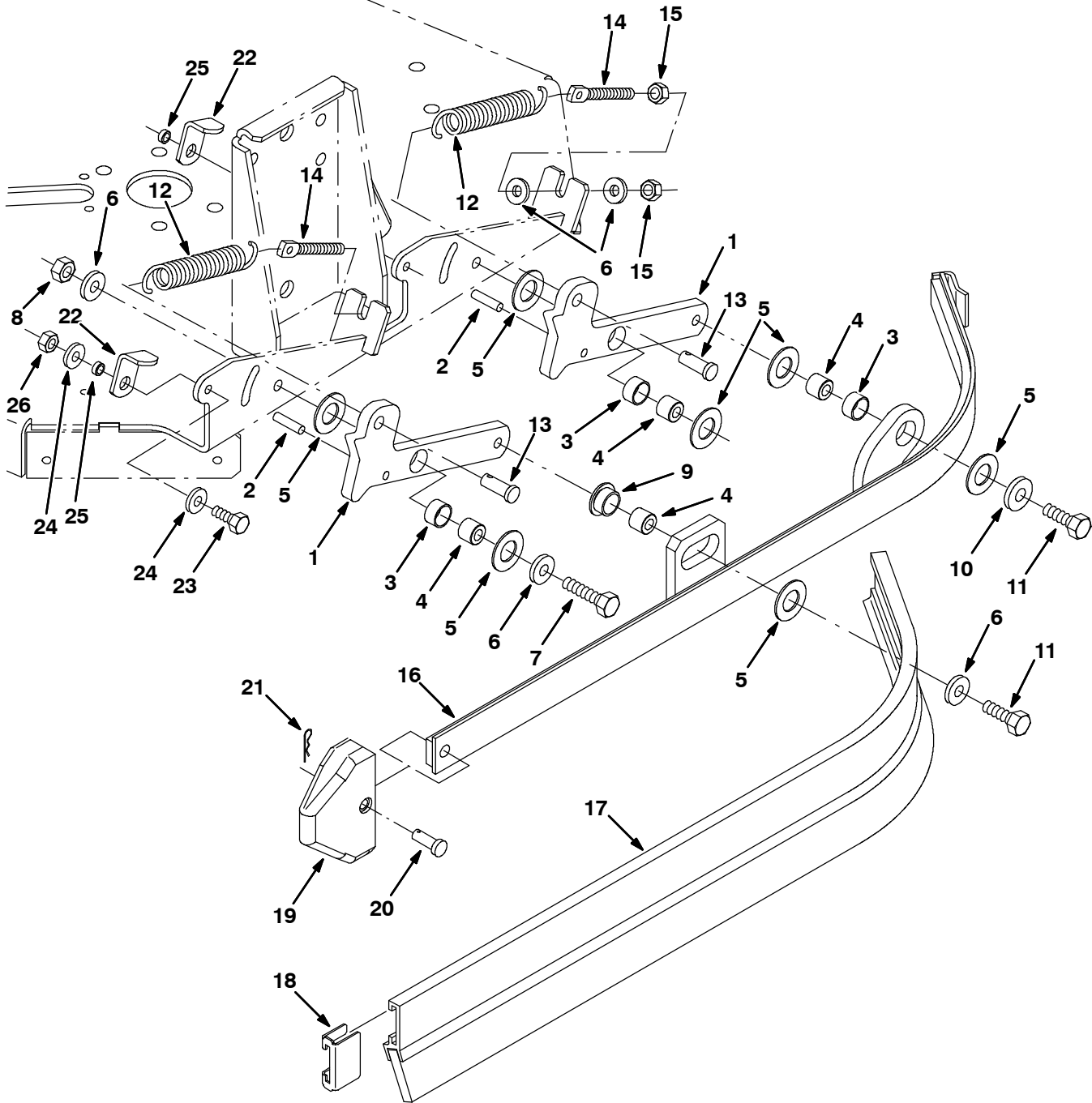


Fig. 30 - Max Pro 1000 (Disc-Brush) Left Side Squeegee Group

Ref.	Tennant Part No.	Machine Serial Number	Description	Qty.
1	1056863	(000000-) Arm, Mtg, Side Sqge Frame, Ele, Gray	2
2	17404	(000000-) Pin, Roll, .250 D X 0.75l, .250/.256	2
3	71607	(000000-) Bushing, Sleeve, 0.63b 0.72d 0.38l	3
4	386356	(000000-) Sleeve, P/M, 0.625d 0.335b 0.52l Ss	4
5	64425	(000000-) Washer, Thrust, 0.61b 1.25d .06, Fgl	7
6	01685	(000000-) Washer, Flt, .31 Ss	7
7	09023	(000000-) Screw, Hex, M08 X 1.25 X 35, Ss	2
8	08713	(000000-) Nut, Hex, Lock, M08 X 1.25, NI, Ss	2
9	25735	(000000-) Bushing, Flng, 0.63b 0.75d 0.38l	1
10	01686	(000000-) Washer, Flt, .38 Ss	2
11	12333	(000000-) Screw, Hex, M08 X 1.25 X 25, Ss, NI	2
12	87816	(000000-) Spring, Extn, 0.75od X 0.09wir, 2.5l	2
13	76653	(000000-) Pin, Clevis, 0.37 D X 1.00l	2
14	386088	(000000-) Bolt, Eye, M8 X 1.25, 2.75l	2
15	07786	(000000-) Nut, Hex, Std, M08 X 1.25, Ss	4
16	386262	(000000-) Frame Wldt, Sqge, Side, Lh	1
17	386260	(000000-) Squeegee, Side	1
18	86759	(000000-) Retainer, Sqge	1
19	386986	(000000-) Guide, Point, Side Sqge	1
20	386987	(000000-) Pin, Clevis, 0.31d 0.88l	1
21	86866	(000000-) Pin, Hair Cotter, 0.38 D .072 Wir	1
22	386391	(000000-) Latch, Double Scrub, Side Sqge	2
23	08716	(000000-) Screw, Hex, M06 X 1.0 X 20, Ss	2
24	01684	(000000-) Washer, Flt, .25 Ss	4
25	80491	(000000-) Sleeve	2
26	08712	(000000-) Nut, Hex, Lock, M06 X 1.0, NI, Ss	2

Fig. 31 - Squeegee Linkage Group, Rear

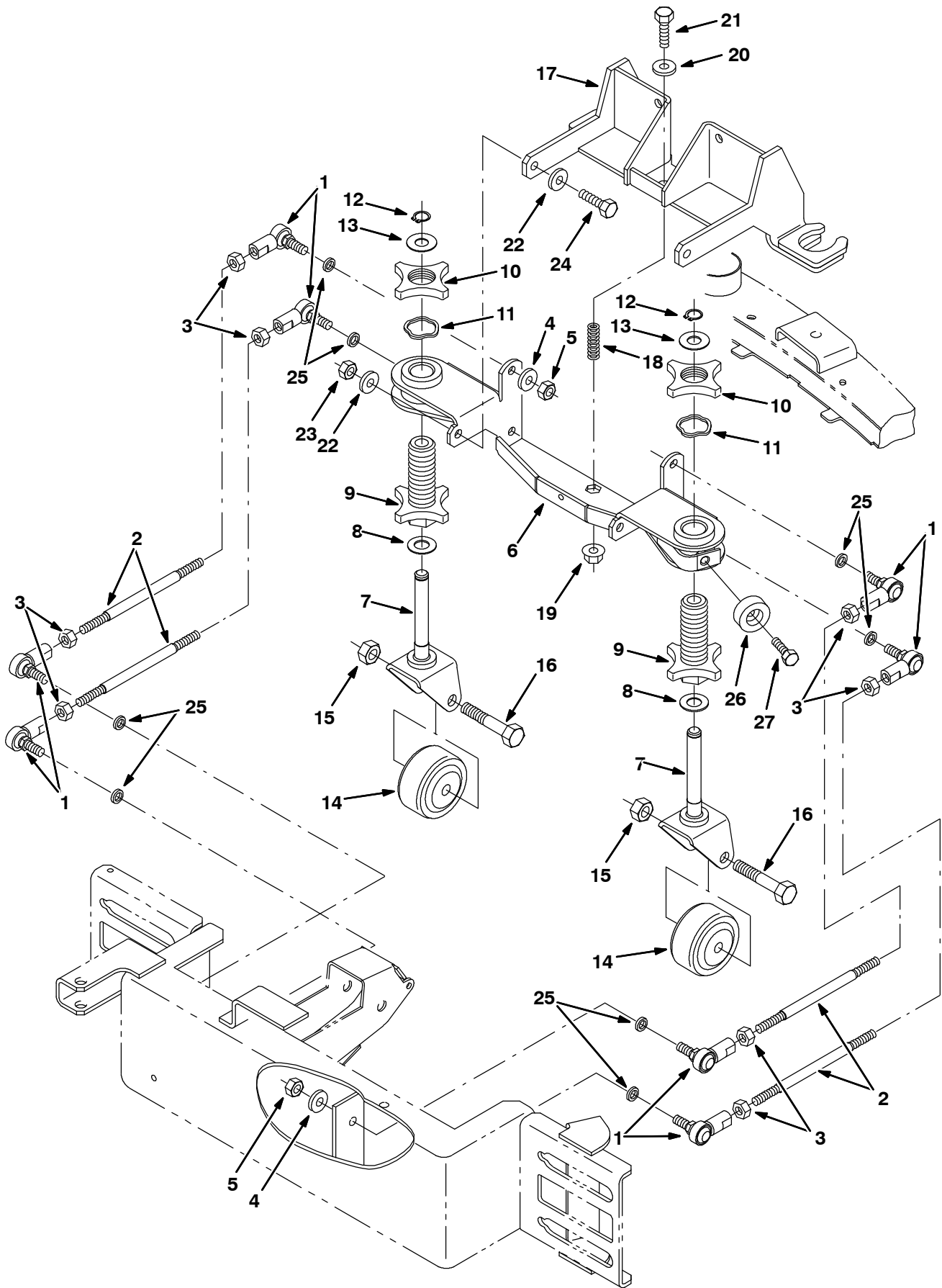


Fig. 31 - Squeegee Linkage Group, Rear

Ref.	Tennant Part No.	Machine Serial Number	Description	Qty.	
1	05686	(000000-) Rod-End, M10 X 1.5rh Fem M10 X 1.5stud	8	
2	14555	(000000-) Rod, Thrd, 2 End M10x1.5 07.4	4	
3	32716	(000000-) Nut, Hex, Jam, M10 X 1.5, Ss	8	
4	01686	(000000-) Washer, Flt, .38 Ss	8	
5	08714	(000000-) Nut, Hex, Lock, M10 X 1.5, NI, Ss	8	
6	386256	(000000-004999) Channel Wldt	1	
6	1056468	(005000-) Channel Wldt, Iron Gray	1	
▽	78979	(000000-) Caster Kit, Sqge, Replmt	2	
▲	7	84593	(000000-) Pivot Wldt, Sqge Caster	1
▲	8	07450	(000000-) Bearing, Thrust, 0.66b 1.25d 0.06w	1
▲	9	77228	(000000-) Knob, Adj	1
▲	10	77227	(000000-) Knob	1
▲	11	79217	(000000-) Washer	1
▲	12	01516	(000000-) Ring, Retaining, Ext, 0.59d, Basic	1
▲	13	77272	(000000-) Washer, 0.60b 1.31d .10, Ss	1
▲	14	20833	(000000-) Wheel, 3.0d 1.38w 0.50b	1
▲	15	02931	(000000-) Nut, Hex, Lock, .50-13, NI, Ss	1
▲	16	81952	(000000-) Screw, Hex, .50-13 X 3.00, Ss	1
17	386252	(000000-004999) Bracket Wldt, Pivot	1	
17	1056467	(005000-) Channel Wldt, Iron Gray	1	
18	16816	(000000-) Spring, Die, 1.00od 0.50id 2.00l	1	
19	07792	(000000-) Nut, Hex, Flng, M10 X 1.5	1	
20	01686	(000000-) Washer, Flt, .38 Ss	1	
21	04417	(000000-) Screw, Hex, M10 X 1.5 X 60, Ss	1	
22	01686	(000000-) Washer, Flt, .38 Ss	4	
23	08714	(000000-) Nut, Hex, Lock, M10 X 1.5, NI, Ss	2	
24	12317	(000000-) Screw, Hex, M10 X 1.5 X 30, Ss	2	
25	390880	(000000-) Spacer, .41b .63d .13l, Ss 430pm	8	
26	364614	(000000-) Bumper, Neo, 1.5d .63t .31h	1	
27	09010	(000000-) Screw, Hex, M08 X 1.25 X 25, Ss	1	

Fig. 32 - Squeegee Lift Group, Rear

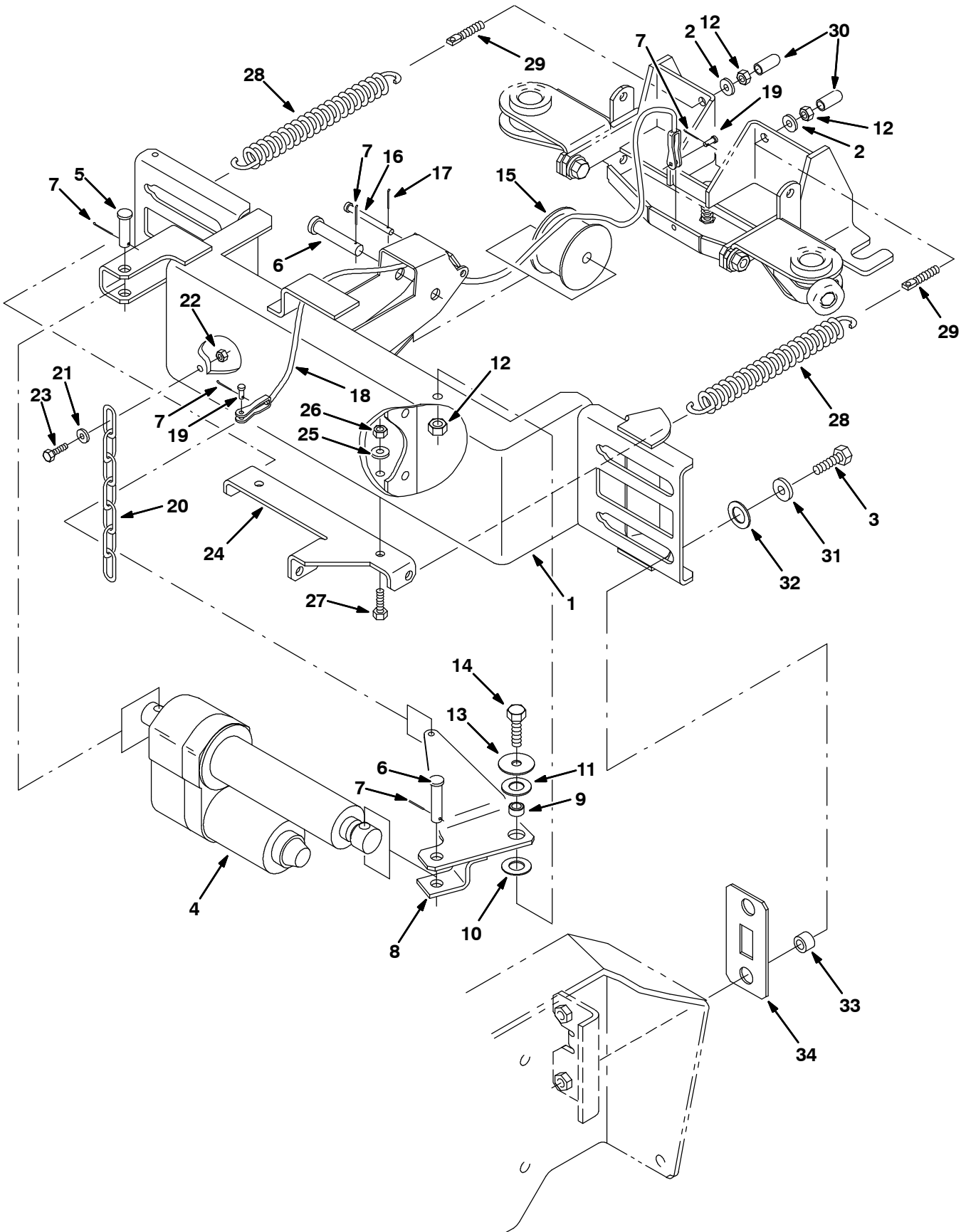


Fig. 32 - Squeegee Lift Group, Rear

Ref.	Tennant Part No.	Machine Serial Number	Description	Qty.
1	387426	(000000-004999)	Support Wldt	1
1	1056389	(005000-	Support Wldt, Iron Gray	1
2	01686	(000000-	Washer, Flt, .38 Ss	2
3	12317	(000000-	Screw, Hex, M10 X 1.5 X 30, Ss	4
4	363151	(000000-	Actuator, 36vdc, 02.1stroke 500lb	1
5	51534	(000000-	Pin, Clevis, 0.50 D X 2.00l	1
6	06279	(000000-	Pin, Clevis, 0.50 D X 2.50l	2
7	39005	(000000-	Pin, Cotter, .094 X 0.75	5
8	386279	(000000-	Arm Wldt	1
9	71658	(000000-	Sleeve	1
10	64425	(000000-	Washer, Thrust, 0.61b 1.25d .06, Fgl	1
11	07450	(000000-	Bearing, Thrust, 0.66b 1.25d 0.06w	1
12	08714	(000000-	Nut, Hex, Lock, M10 X 1.5, NI, Ss	3
13	33948	(000000-	Washer, Flat	1
14	04417	(000000-	Screw, Hex, M10 X 1.5 X 60, Ss	1
15	223054	(000000-	Drum, Cable, Lift	1
16	04733-10	(000000-	Pin, Clevis, 0.25 D X 2.44l	1
17	08178	(000000-	Pin, Cotter, .062 X 0.75	1
18	71101	(000000-	Cable, .12d, 13.3l, .2clevis/.2clevis	1
19	77488	(000000-	Pin, Clevis, 0.19 D X 0.63l	2
20	43500	(000000-	Chain, Coil, Str, #210, 09.0l 07 Link	1
21	01684	(000000-	Washer, Flt, .25 Ss	1
22	08712	(000000-	Nut, Hex, Lock, M06 X 1.0, NI, Ss	1
23	08716	(000000-	Screw, Hex, M06 X 1.0 X 20, Ss	1
24	387432	(000000-004999)	Channel, Spring	1
24	1056482	(005000-	Bracket, Spring, Iron Gray	1
25	01685	(000000-	Washer, Flt, .31 Ss	2
26	08713	(000000-	Nut, Hex, Lock, M08 X 1.25,NI, Ss	2
27	09010	(000000-	Screw, Hex, M08 X 1.25 X 25, Ss	2
28	71100	(000000-	Spring, Extn, 1.69od X 0.20wir, 9.5l	2
29	386847	(000000-	Bolt, Eye, M10x1.5 X 2.0 X .28 Eye	2
30	20806	(000000-	Cap, Neoprene Black	2
31	32492	(000000-	Washer, Flat, .38 Std	4
32	53782	(000000-	Bearing, Thrust, 0.75b 1.25d 0.06w	4
33	387429	(000000-	Sleeve, P/M, 0.745d 0.438b 0.50l 430ss	4
34	387430	(000000-	Plate, Slide	2

STANDARD PARTS

Fig. 33 - Max Pro 1000 Rear Squeegee Group (000000-004999)

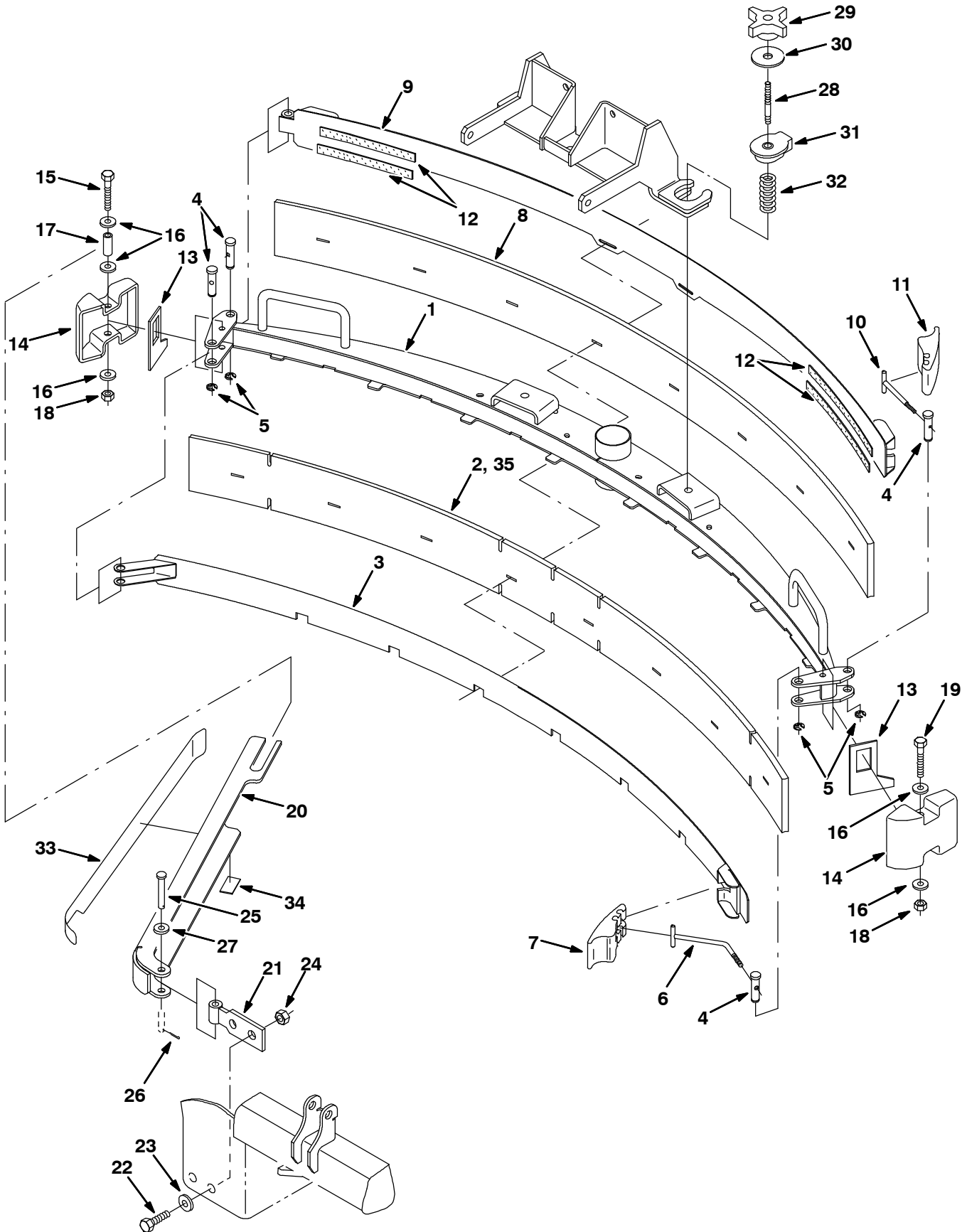


Fig. 33 - Max Pro 1000 Rear Squeegee Group (000000-004999)

Ref.	Tennant Part No.	Machine Serial Number	Description	Qty.
▽	386860	(000000-004999)	Kit, Cl, Squeegee, Rear (Max Pro 1000)	1
▲	1 1056856	(000000-004999)	Frame Wldt, Sqge, Iron Gray	1
▲	2 386283	(000000-004999)	Blade, Sqge, Front	1
▲	3 386285	(000000-004999)	Clamp Wldt, Front	1
▲	4 21603	(000000-004999)	Pin	4
▲	5 24555	(000000-004999)	Ring, Retaining, Ext	4
▲	6 386298	(000000-004999)	Pin Wldt, Front	1
▲	7 21601	(000000-004999)	Cam	1
▲	8 386284	(000000-004999)	Blade, Sqge, Rear	1
▲	9 386286	(000000-004999)	Clamp Wldt, Rear	1
▲	10 21606	(000000-004999)	Bar Wldt, Retainer, Sqge, Rear	1
▲	11 21602	(000000-004999)	Cam, Rear	1
▲	12 03495	(000000-004999)	Strip, Nonslip	4
▲	13 83874	(000000-004999)	Gasket, Sqge	2
▲	14 386264	(000000-004999)	Bumper, Sqge	2
▲	15 386299	(000000-004999)	Screw, Hex, M08 X 1.25 X 100, Ss	1
▲	16 01685	(000000-004999)	Washer, Flt, .31 Ss	5
▲	17 222497	(000000-004999)	Sleeve	1
▲	18 08713	(000000-004999)	Nut, Hex, Lock, M08 X 1.25,NI, Ss	2
▲	19 09767	(000000-004999)	Screw, Hex, M08 X 1.25 X 70, Ss	1
▲	20 386266	(000000-004999)	Channel Wldt	1
▲	21 386234	(000000-004999)	Pivot Wldt, Guard	1
▲	22 12309	(000000-004999)	Screw, Hex, M12 X 1.75 X 30, Ss	2
▲	23 41619	(000000-004999)	Washer, Flt, .50 Ss	2
▲	24 09741	(000000-004999)	Nut, Hex, Lock, M12 X 1.75,NI, Ss	2
▲	25 1039190	(000000-004999)	Pin, Clevis, 0.25d X 2.00l	1
▲	26 08178	(000000-004999)	Pin, Cotter, .062 X 0.75	1
▲	27 01684	(000000-004999)	Washer, Flt, .25 Ss	2
▲	28 387237	(000000-004999)	Stud, .31-18 2.75l M8 X 1.25, Ss	2
▲	29 370100	(000000-004999)	Knob, 4-Prong W/.31-18, Insert	2
▲	30 04414	(000000-004999)	Washer, 0.53b 1.88d .12, Stl, Pl	2
▲	31 387433	(000000-004999)	Ring, Mtg, Sqge, .50l	2
▲	32 387500	(000000-004999)	Spring, Cmpr, .87od .042wir 2.0l	2
▲	33 387448	(000000-004999)	Bumper, Poly-E	1
▲	34 387438	(000000-004999)	Bumper, Poly-E	1
▲	35 387257	(000000-)	Blade, Sqge, Front, Mp1000, Tile	1

STANDARD PARTS

Fig. 34 - Max Pro 1000 Rear Squeegee Group (005000-)

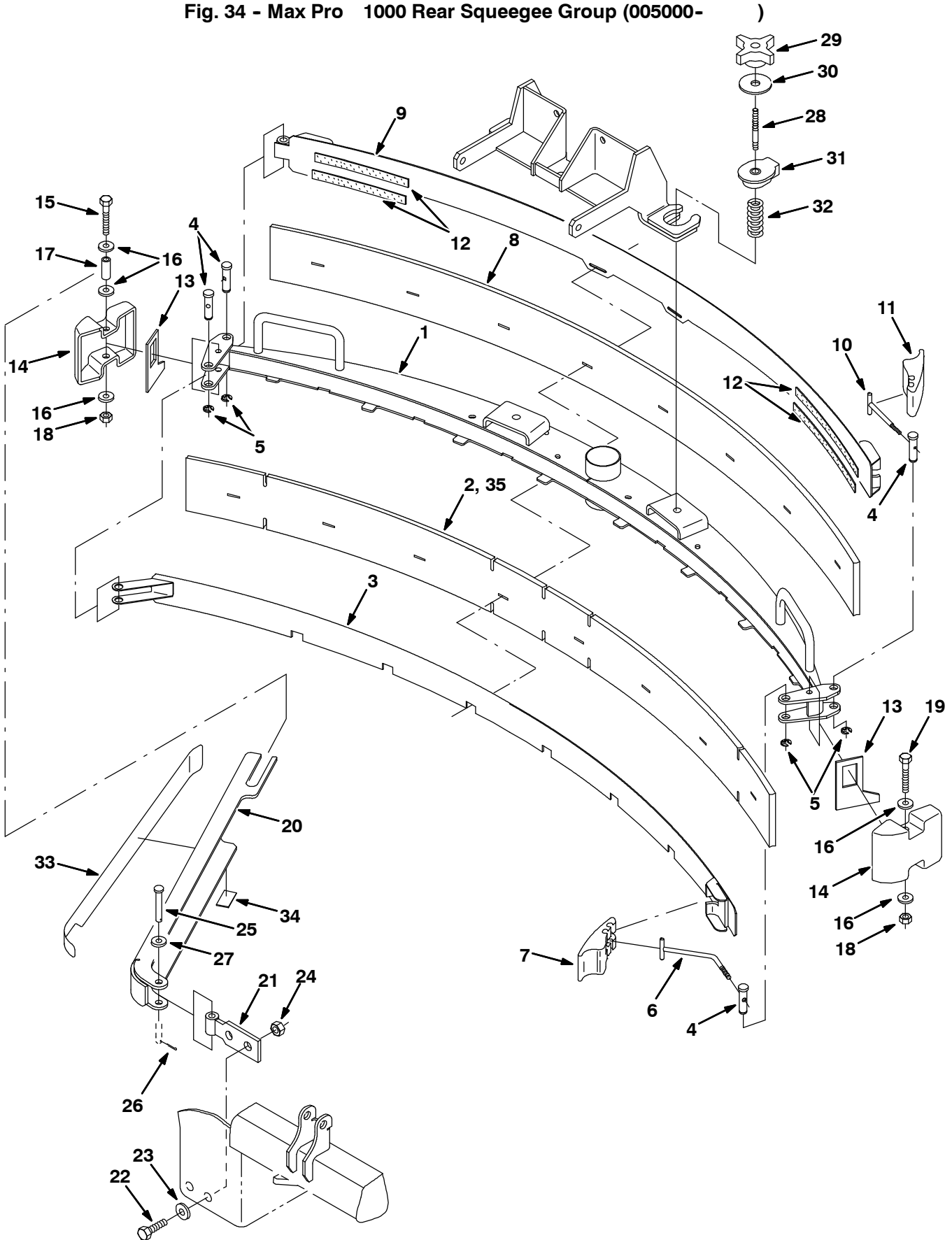


Fig. 34 - Max Pro 1000 Rear Squeegee Group (005000-)

Ref.	Tennant Part No.	Machine Serial Number	Description	Qty.
▽	9006930	(005000-)	Squeegee Assy Kit, Rear, Ci [Mp1000]	1
▲	1 1056856	(005000-)	Frame Wldt, Sqge, Iron Gray	1
▲	2 386283	(005000-)	Blade, Sqge, Front	1
▲	3 386285	(005000-)	Clamp Wldt, Front	1
▲	4 21603	(005000-)	Pin	4
▲	5 24555	(005000-)	Ring, Retaining, Ext	4
▲	6 386298	(005000-)	Pin Wldt, Front	1
▲	7 21601	(005000-)	Cam	1
▲	8 386284	(005000-)	Blade, Sqge, Rear	1
▲	9 386286	(005000-)	Clamp Wldt, Rear	1
▲	10 21606	(005000-)	Bar Wldt, Retainer, Sqge, Rear	1
▲	11 21602	(005000-)	Cam, Rear	1
▲	12 03495	(005000-)	Strip, Nonslip	4
▲	13 83874	(005000-)	Gasket, Sqge	2
▲	14 386264	(005000-)	Bumper, Sqge	2
▲	15 386299	(005000-)	Screw, Hex, M08 X 1.25 X 100, Ss	1
▲	16 01685	(005000-)	Washer, Flt, .31 Ss	5
▲	17 222497	(005000-)	Sleeve	1
▲	18 08713	(005000-)	Nut, Hex, Lock, M08 X 1.25,NI, Ss	2
▲	19 09767	(005000-)	Screw, Hex, M08 X 1.25 X 70, Ss	1
▲	20 1056471	(005000-)	Channel Wldt, Guard, Rh, Iron Gray	1
▲	21 1056466	(005000-)	Plate Wldt, Pivot, Guard, Iron Gray	1
▲	22 12309	(005000-)	Screw, Hex, M12 X 1.75 X 30, Ss	2
▲	23 41619	(005000-)	Washer, Flt, .50 Ss	2
▲	24 09741	(005000-)	Nut, Hex, Lock, M12 X 1.75,NI, Ss	2
▲	25 1039190	(005000-)	Pin, Clevis, 0.25d X 2.00l	1
▲	26 08178	(005000-)	Pin, Cotter, .062 X 0.75	1
▲	27 01684	(005000-)	Washer, Flt, .25 Ss	2
▲	28 387237	(005000-)	Stud, .31-18 2.75l M8 X 1.25, Ss	2
▲	29 370100	(005000-)	Knob, 4-Prong W/.31-18, Insert	2
▲	30 04414	(005000-)	Washer, 0.53b 1.88d .12, Stl, Pl	2
▲	31 387433	(005000-)	Ring, Mtg, Sqge, .50l	2
▲	32 387500	(005000-)	Spring, Cmpr, .87od .042wir 2.0l	2
▲	33 387448	(005000-)	Bumper, Poly-E	1
▲	34 387438	(005000-)	Bumper, Poly-E	1
▲	35 387257	(000000-)	Blade, Sqge, Front, Mp1000, Tile	1

Fig. 35 - Electrical Control Box Circuit Breaker Group

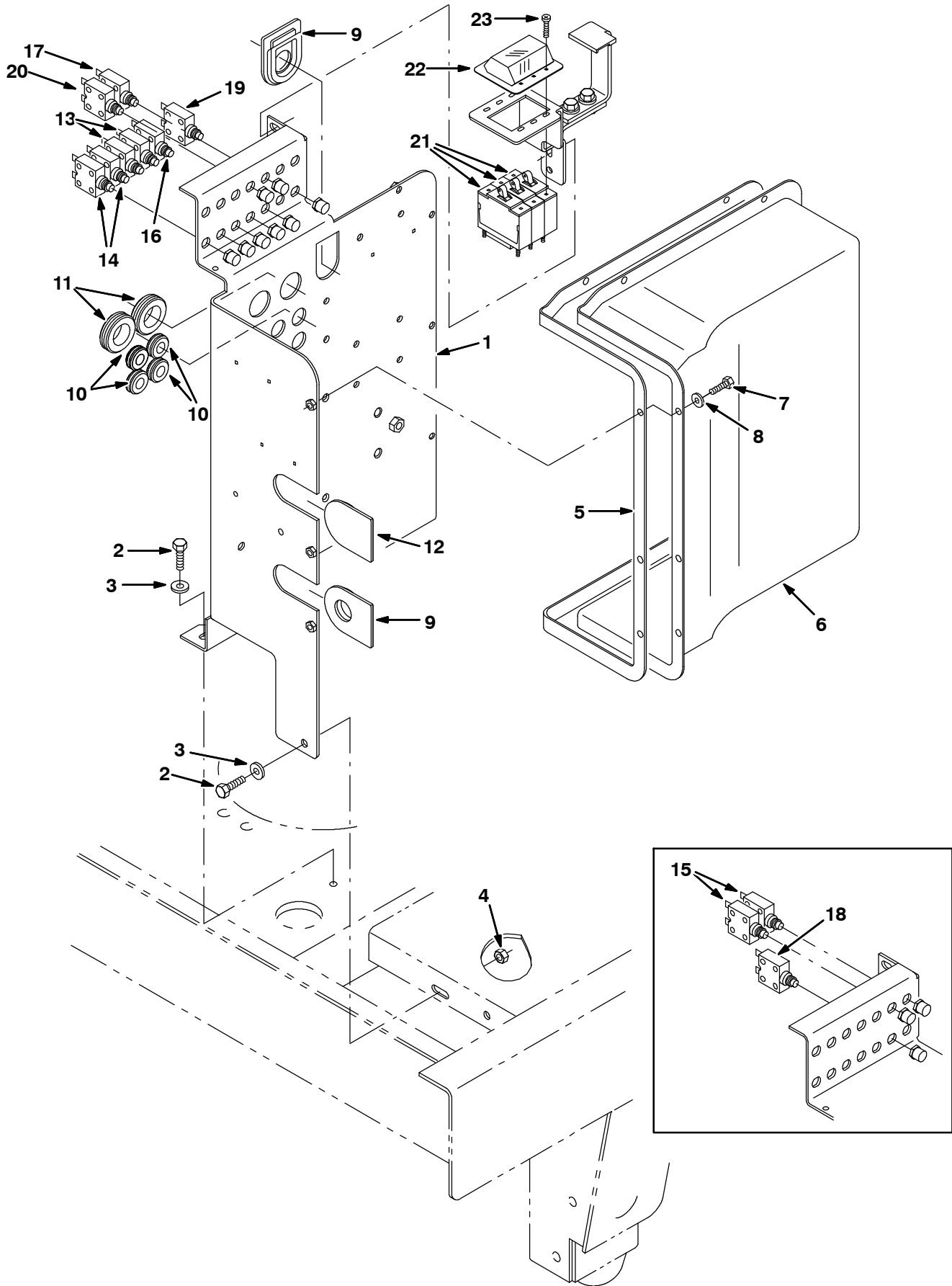


Fig. 35 - Electrical Control Box Circuit Breaker Group

Ref.	Tennant Part No.	Machine Serial Number	Description	Qty.
1	387453	(000000-004999)	Plate, Controlbox	1
1	1056486	(005000-	Plate, Controlbox, Iron Gray	1
2	16931	(000000-	Screw, Hex, M08 X 1.25 X 20, 8.8	3
3	32491	(000000-	Washer, Flt, .31 Std	3
4	08709	(000000-	Nut, Hex, Lock, M08 X 1.25,Nl	1
5	386127	(000000-	Gasket, Cover, Controller	1
6	386128	(000000-	Cover, Controlbox	1
7	09244	(000000-	Screw, Hex, M05 X 0.8 X 16, 8.8	8
8	01683	(000000-	Washer, Flt, #10 Ss	8
9	386563	(000000-	Grommet, Rbr, 1.0b	2
10	10632-17	(000000-	Grommet, Rbr, 0.50id, F/ 0.8h, .12matl	4
11	10632-14	(000000-	Grommet, Rbr, 1.00id, F/ 1.4h, .12matl	2
12	386564	(000000-	Plug, Rbr	1
13	383723	(000000-001705)	Circuitbreaker, 20.0a	2
13	383725	(001706-	Circuitbreaker, 30.0a	2
14	383722	(000000-	Circuitbreaker, 15.0a	2
15	383728	(000000-001705)	Circuitbreaker, 50.0a	2
16	383724	(000000-	Circuitbreaker, 25.0a	1
17	383721	(000000-	Circuitbreaker, 10.0a	1
18	383728	(000000-001705)	Circuitbreaker, 50.0a (Center Brush Option)	1
19	383727	(000000-	Circuitbreaker, 40.0a (Power Steering Option)	1
20	383722	(000000-	Circuitbreaker, 15.0a (Power Wand / Side Sweep Option)	1
21	387636	(001706-	Circuitbreaker, 40a, (Max Pro™ 1200 Disk)	3
21	387636	(001706-	Circuitbreaker, 40a, (Max Pro™ 1000 Disk W/Std Motor)	2
21	387637	(001706-	Circuitbreaker, 45a, (Max Pro™ 1000 Disk W/Hd Motor)	2
21	387637	(001706-	Circuitbreaker, 45a, (Max Pro™ 1000 Cylindrical)	2
21	387637	(001706-	Circuitbreaker, 45a, (Max Pro™ 1200 Cylindrical)	2
22	387640	(001706-	Boot, Protector, Circuitbreaker	1
23	19320	(001706-	Screw, Pan, #06-32X0.38, 1	6

STANDARD PARTS

Fig. 36 - Electrical Control Box Contactor Group (00000- 001705)

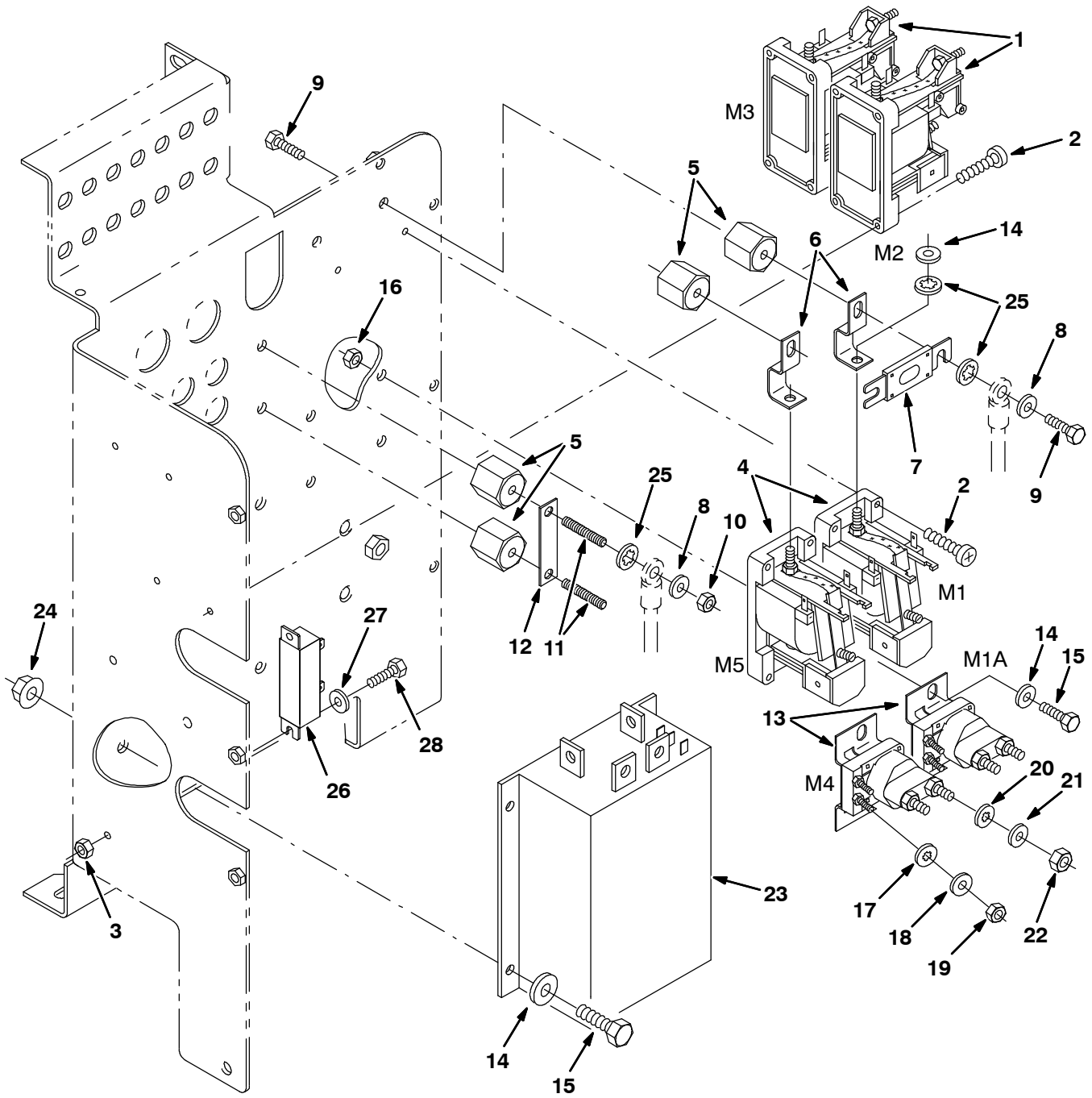


Fig. 36 - Electrical Control Box Contactor Group (000000- 001705)

Ref.	Tennant Part No.	Machine Serial Number	Description	Qty.
1	87482	(000000-001705)	Contactora, 36vdc, Spdt	2
2	71026	(000000-001705)	Screw, Pan, M04 X 0.7 X 30, 4.8	8
3	06549	(000000-001705)	Nut, Hex, Lock, M05 X 0.8, NI	2
4	86375	(000000-001705)	Contactora, 36vdc, [Spno]	2
5	76062	(000000-001705)	Insulator, Panel	4
6	87507	(000000-001705)	Busbar, Fuse, .6 0.6w 0.8h 2.0l	2
7	386807	(000000-001705)	Fuse, 150amp	1
8	32490	(000000-001705)	Washer, Flt, .25 Std	4
9	19314	(000000-001705)	Screw, Hex, .25-20 X 0.38, 5	6
10	19312	(000000-001705)	Nut, Hex, Std, .25-20	2
11	41702	(000000-001705)	Rod, Thrd, Full, .25-20 01.5l	2
12	87483	(000000-001705)	Busbar, .06 0.6w 2.5l 2/.28h	1
13	386810	(000000-001705)	Contactora, 36vdc	2
14	32483	(000000-001705)	Washer, Flt, .25 Sae	9
15	06942	(000000-001705)	Screw, Hex, M06 X 1.0 X 16, 8.8	6
16	08708	(000000-001705)	Nut, Hex, Lock, M06 X 1.0, NI	4
17	32980	(000000-001705)	Washer, Lock, Int, #10	4
18	19066	(000000-001705)	Washer, Flt, #10	4
19	01713	(000000-001705)	Nut, Hex, Std, #10-32, 2	4
20	32984	(000000-001705)	Washer, Lock, Int, .31	4
21	39349	(000000-001705)	Washer, Flt, .31 Sae	4
22	01715	(000000-001705)	Nut, Hex, Std, .31-24	4
23	386302	(000000-001705)	Controller, Motor, 36vdc, 1204	1
24	07790	(000000-001705)	Nut, Hex, Flng, M06 X 1.0	4
25	32982	(000000-001705)	Washer, Lock, Int, .25	9
26	87349	(000000-001705)	Resistor, 040.00ohm, 40watt	1
27	01683	(000000-001705)	Washer, Flt, #10 Ss	2
28	12312	(000000-001705)	Screw, Hex, M05 X 0.8 X 12, 8.8	2

Fig. 37 - Electrical Control Box Contactor Group (001706-)

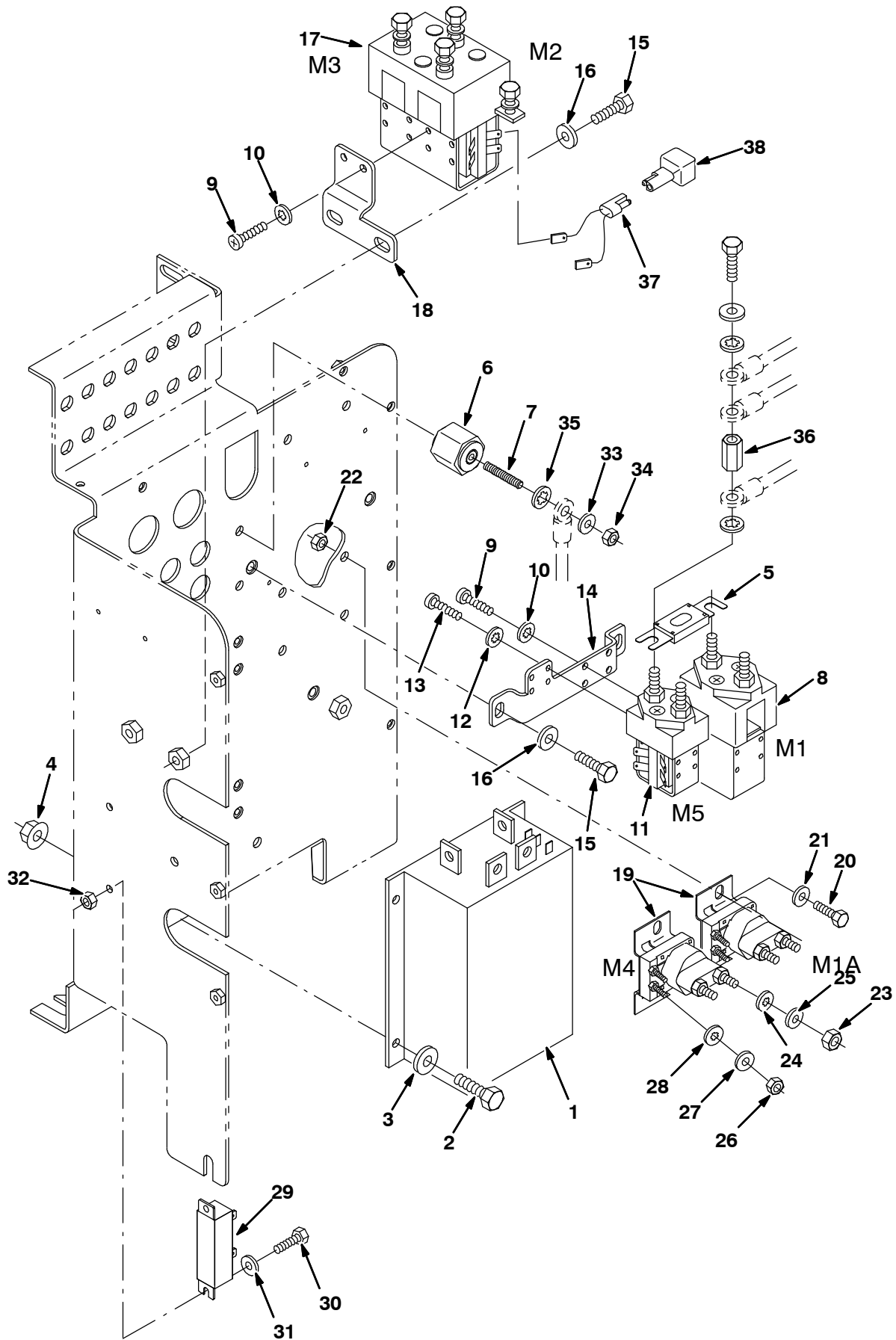


Fig. 37 - Eleactrical Control Box Contactor Group (001706-)

Ref.	Tennant Part No.	Machine Serial Number	Description	Qty.
1	386302	(001706-) Controller, Motor, 36vdc, 1204	1
2	06942	(001706-) Screw, Hex, M 6 X 1.0 X 16, 8.8	4
3	32483	(001706-) Washer, Flat, 0.25 Sae	4
4	07790	(001706-) Nut, Hex, Flng, M06 X 1.0	4
5	386807	(001706-) Fuse, 150amp	1
6	76062	(001706-) Insulator, Panel & Switchboard	1
7	41702	(001706-) Rod, Thrd, Full, .25-20 01.5l	1
8	1007337	(001706-) Contactor, 36vdc, 200a, Spst	1
9	06931	(001706-) Screw, Pan, M 5 X 0.8 X 6, 4.8	6
10	07514	(001706-) Washer, Lock, Int, #10, Ss	6
11	387639	(001706-) Contactor, 36vdc, 100a, Spst	1
12	02938	(001706-) Washer, Lock, Int, #08, Ss	4
13	06925	(001706-) Screw, Pan, M 4 X 0.7 X 6, 4.8	4
14	1007344	(001706-004999) Bracket, Mtg, Controller, Sgl	1
14	1056488	(005000-) Bracket, Mtg, Controller, Sgl, Iron Gray	1
15	12274	(001706-) Screw, Hex, M 6 X 1.0 X 20, NI	4
16	32491	(001706-) Washer, Flat, 0.31 Std	4
17	1007349	(001706-) Contactor, 36vdc, 200a, Dpdt	1
18	1007353	(001706-004999) Bracket, Mtg, Relay	1
18	1056489	(005000-) Bracket, Mtg, Relay, Iron Gray	1
19	386810	(001706-) Relay, 36vdc, 100a, Sp N/O [White]	2
20	06942	(001706-) Screw, Hex, M 6 X 1.0 X 16, 8.8	4
21	32483	(001706-) Washer, Flat, 0.25 Sae	4
22	08708	(001706-) Nut, Hex, Lock, M 6 X 1.0, NI	4
23	01715	(001706-) Nut, Hex, Std, .31-24	4
24	32984	(001706-) Washer, Lock, Int, .31	4
25	39349	(001706-) Washer, Flat, 0.31 Sae	4
26	01713	(001706-) Nut, Hex, Std, #10-32, 2	4
27	19066	(001706-) Washer, Flt, #10	4
28	32980	(001706-) Washer, Lock, Int, #10	4
29	87349	(001706-) Resistor, 040.00 0hm, 40watt	1
30	12312	(001706-) Screw, Hex, M 5 X 0.8 X 12, 8.8	2
31	01683	(001706-) Washer, Flat, #10 Ss	2
32	06549	(001706-) Nut, Hex, Lock, M 5 X 0.8, NI	2
33	32490	(001706-) Washer, Flat, 0.25 Std	1
34	19312	(001706-) Nut, Hex, Std, .25-20	1
35	32982	(001706-) Washer, Lock, Int, .25	1
36	387648	(001706-) Nut, Hex, Cplg, M08X1.25	1
37	370156	(001706-) Harness, Switch, Key, Diode	2
38	222290	(001706-) Diode, Ele, Plug	2

Fig. 38 - Electrical Control Box Wires Group (000000- 001705)

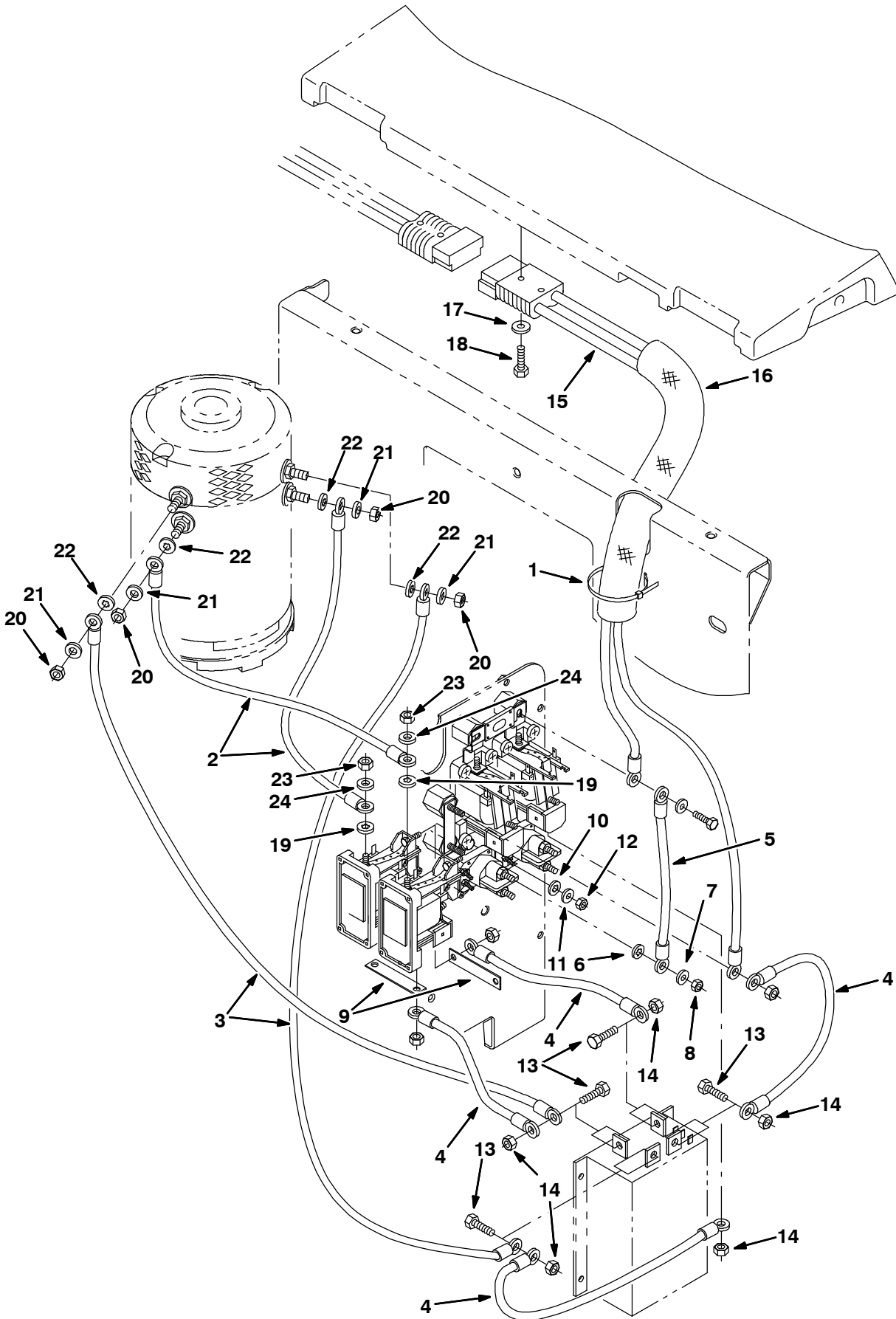


Fig. 38 - Electrical Control Box Wires Group (000000- 001705)

Ref.	Tennant Part No.	Machine Serial Number	Description	Qty.
1	32815	(000000-001705)	Tie, Cable, Nyl, 28.5l .50w 8.0 Max D	4
2	71529	(000000-001705)	Wire, 04ga 32.0l Blk .31ring /.31ring	1
3	386804	(000000-001705)	Wire Assy, 02ga 27.0l Blk .34h /.34h	2
4	86393	(000000-001705)	Wire, 04ga 09.0l Blk .34ring /.28ring	4
5	15846	(000000-001705)	Wire, 06ga 11.0l Blk .34ring /.28ring	1
6	32984	(000000-001705)	Washer, Lock, Int, .31	4
7	39348	(000000-001705)	Washer, Flat, 1.50 Std Hard	4
8	01715	(000000-001705)	Nut, Hex, Std, .31-24	4
9	87483	(000000-001705)	Busbar, .06 0.6w 2.5l 2/.28h	2
10	07514	(000000-001705)	Washer, Lock, Int, #10, Ss	4
11	19066	(000000-001705)	Washer, Flt, #10	4
12	01713	(000000-001705)	Nut, Hex, Std, #10-32, 2	4
13	16931	(000000-001705)	Screw, Hex, M08 X 1.25 X 20, 8.8	4
14	08709	(000000-001705)	Nut, Hex, Lock, M08 X 1.25, NI	4
15	386610	(000000-001705)	Harness, Battery, Connecting	1
16	31647	(000000-001705)	Sleeve, Nyl, #15 14.0l	1
17	01684	(000000-001705)	Washer, Flt, .25 Ss	2
18	33930	(000000-001705)	Screw, Hex, M06 X 1.0 X 40, Ss	2
19	32982	(000000-001705)	Washer, Lock, Int, .25	2
20	39311	(000000-001705)	Nut, Hex, Std, M08 X 1.25	4
21	32490	(000000-001705)	Washer, Flt, .25 Std	4
22	32988	(000000-001705)	Washer, Lock, Int, .38	2
23	41359	(000000-001705)	Nut, Hex, Std, M06 X 1.0	2
24	32483	(000000-001705)	Washer, Flt, .25 Sae	4

Fig. 39 - Electrical Control Box Wires Group (001706-)

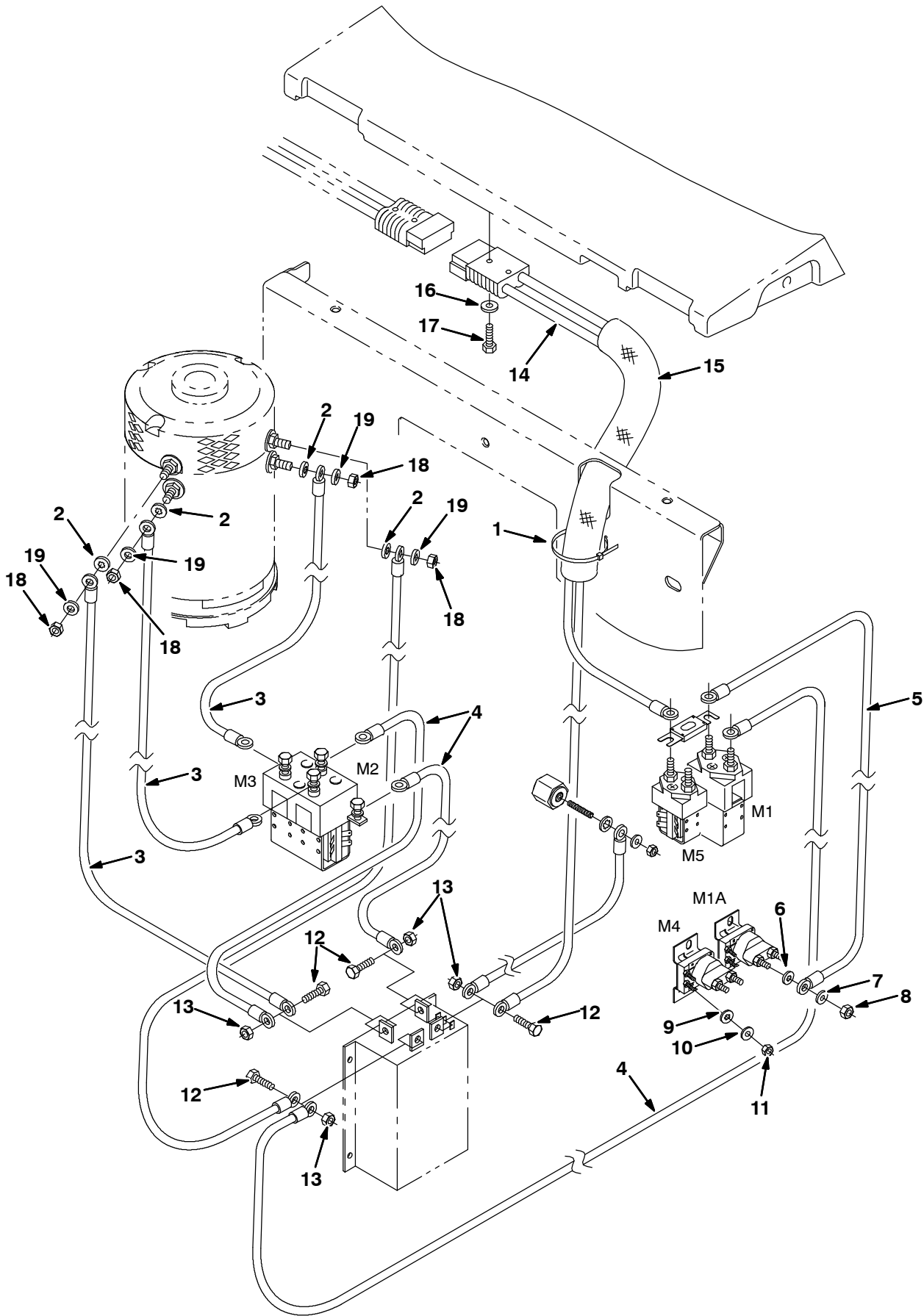


Fig. 39 - Electrical Control Box Wires Group (001706-)

Ref.	Tennant Part No.	Machine Serial Number	Description	Qty.
1	32815	(001706-) Tie, Cable, Nyl, 28.5l .50w 8.0 Max D	4
2	32988	(001706-) Washer, Lock, Int, .38	2
3	386804	(001706-) Wire Assy, 02ga 27.0l Blk .34h /.34h	4
4	387641	(001706-) Wire Assy, 02ga, 10.0l, Blk	4
5	63740	(001706-) Wire, 06Ga 09.0L Blk .34 Ring/.34 Ring	1
6	32984	(001706-) Washer, Lock, Int, .31	4
7	39348	(001706-) Washer, Flat, 1.50 Std Hard	4
8	01715	(001706-) Nut, Hex, Std, .31-24	4
9	07514	(001706-) Washer, Lock, Int, #10, Ss	4
10	19066	(001706-) Washer, Flt, #10	4
11	01713	(001706-) Nut, Hex, Std, #10-32, 2	4
12	16931	(001706-) Screw, Hex, M 8 X 1.25 X 20, 8.8	4
13	08709	(001706-) Nut, Hex, Lock, M 8 X 1.25 NI	4
14	386610	(001706-) Harness, Battery, Connecting	1
15	31647	(001706-) Sleeve, Nyl, #15 14.0l	1
16	01684	(001706-) Washer, Flat, 0.25 Ss	2
17	33930	(001706-) Screw, Hex, M 6 X 1.0 X 40, Ss	2
18	39311	(001706-) Nut, Hex, Std, M08 X 1.25	4
19	32490	(001706-) Washer, Flat, 0.25 Std	4

Fig. 40 - Electrical Circuit Board Group

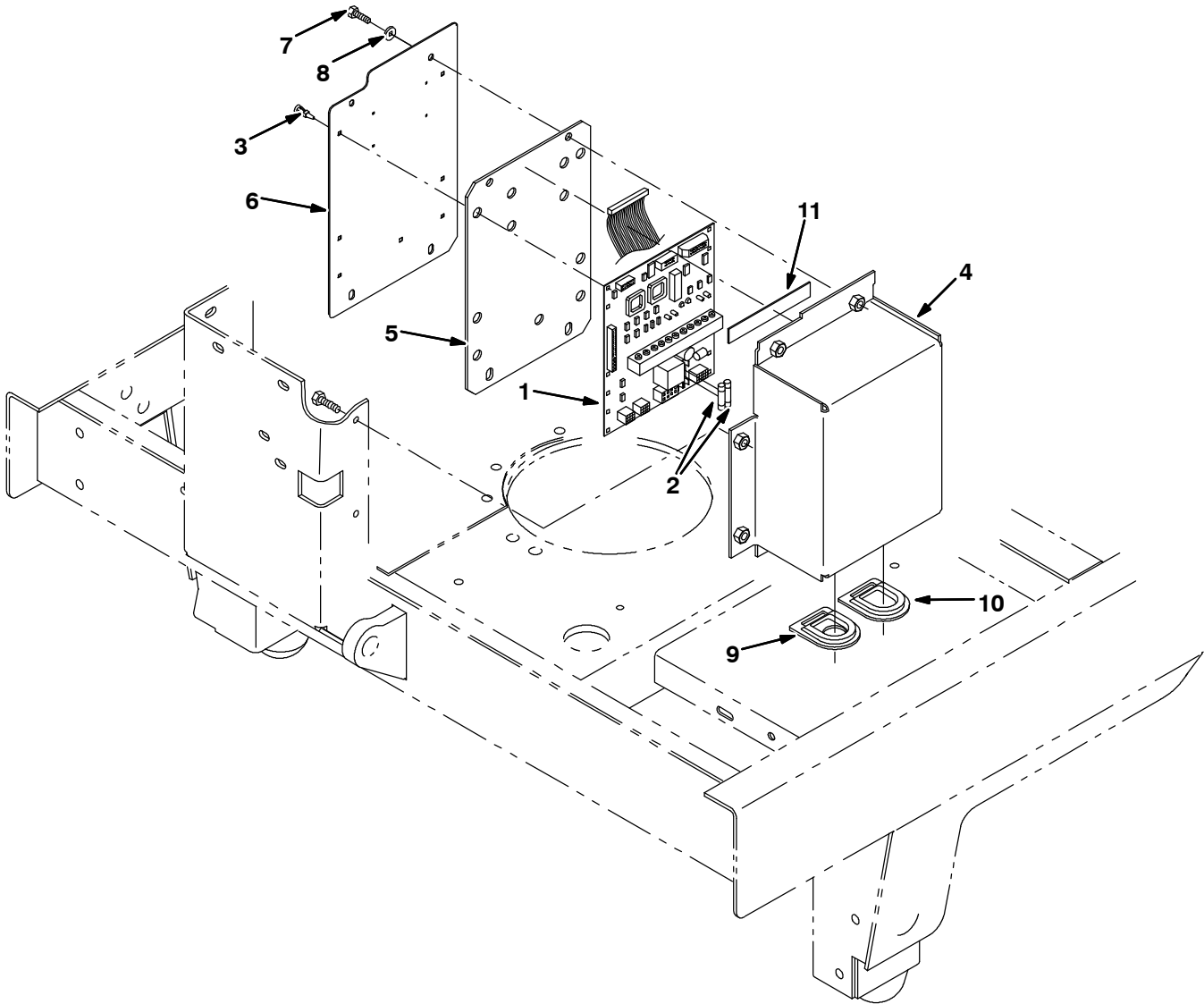
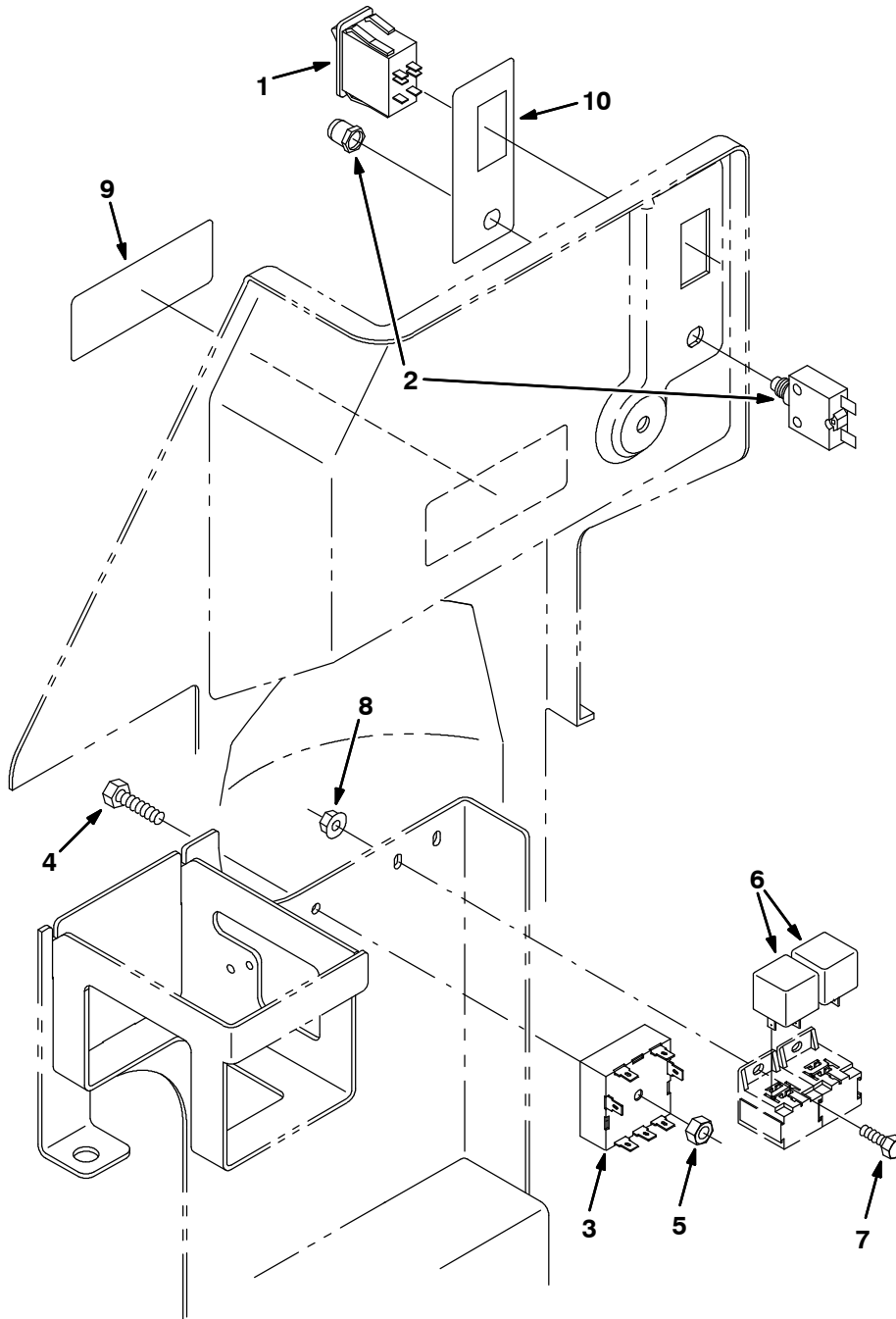


Fig. 40 - Electrical Circuit Board Group

	Ref.	Tenant Part No.	Machine Serial Number	Description	Qty.
▽	1	374204	(000000-) Circuitboard, Assy, [7300/8300]	1
▲	2	603103000	(000000-) Fuse, .20A, 3Ag, Slo-Blo	2
	3	15840	(000000-) Pin, Prong	7
	4	386922	(000000-004999) Box, Circuitboard	1
	4	1056478	(005000-) Box, Circuitboard, Iron Gray	1
	5	386921	(000000-) Gasket	1
	6	386920	(000000-004999) Cover	1
	6	1056477	(005000-) Cover, Iron Gray	1
	7	06942	(000000-) Screw, Hex, M06 X 1.0 X 16, 8.8	6
	8	32483	(000000-) Washer, Flt, .25 Sae	4
	9	386563	(000000-) Grommet, Rbr, 1.0b	1
	10	386564	(000000-) Plug, Rbr	1
	11	387529	(000000-) Tape, Foam	1

STANDARD PARTS

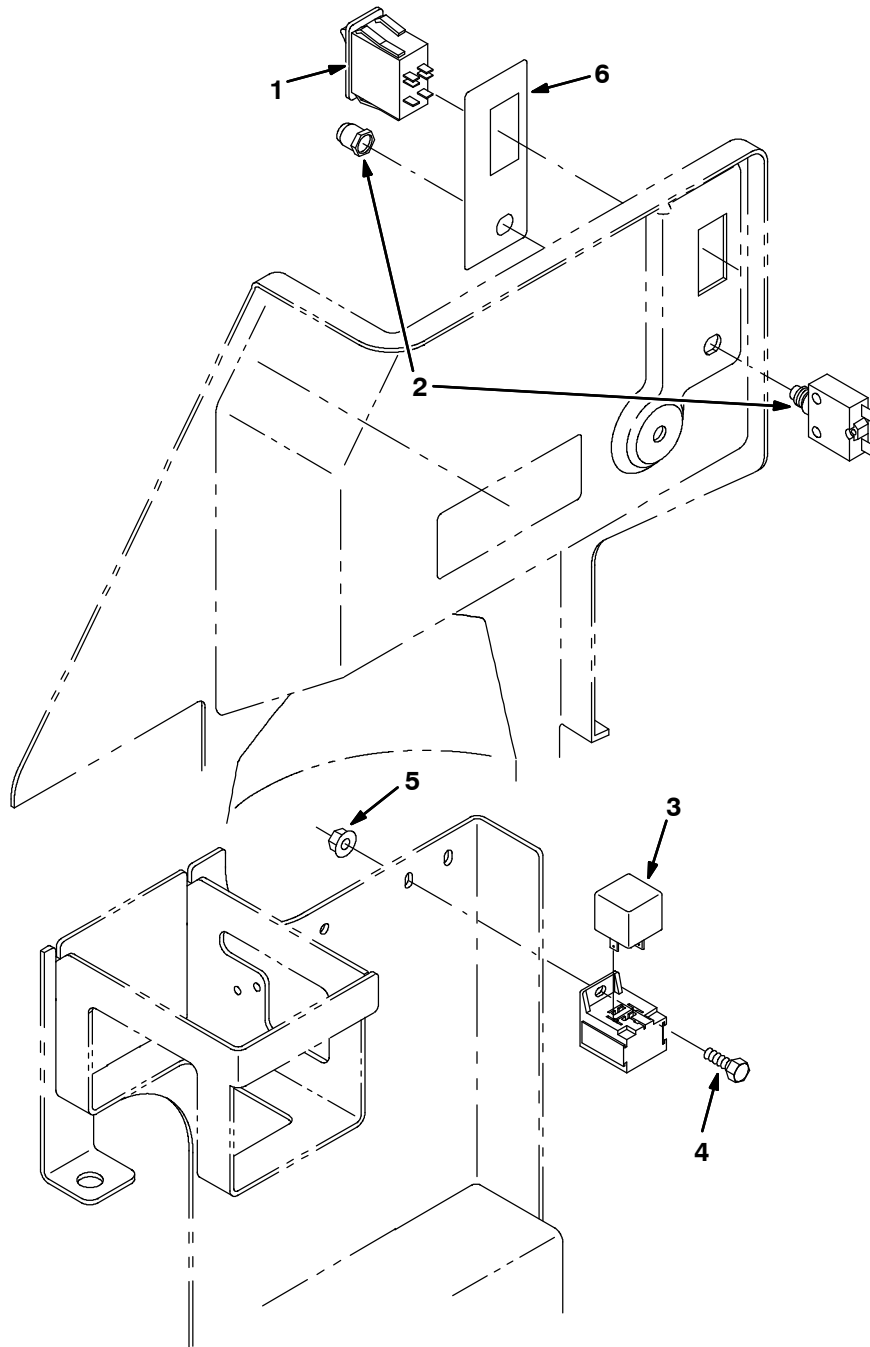
Fig. 41 - Electrical Group, FaST (000000-003746)



354204- 7300

Ref.	Tennant Part No.	Machine Serial Number	Description	Qty.
1	377084	(000000-003746)	Switch, Rocker, 36vdc 05a Progressive	1
2	383721	(000000-003746)	Circuitbreaker, 10.0a	1
3	1028580	(000000-003746)	Timer, 9-41vdc, Recycling	1
4	06945	(000000-003746)	Screw, Hex, M6 X 1.0 X 30, 8.8	1
5	08708	(000000-003746)	Nut, Hex, Lock, M 6 X 1.0, NI	1
6	398526	(000000-003746)	Relay, 36vdc, 05a, Spdt N/O [Greenwich]	2
7	09244	(000000-003746)	Screw, Hex, M5 X 0.8 X 16, 8.8	2
8	07789	(000000-003746)	Nut, Hex, Flng, M5 X 0.8	2
9	1005416	(000000-003746)	Label, Fast	1
10	1011276	(000000-003746)	Label, Switch, Fast	1

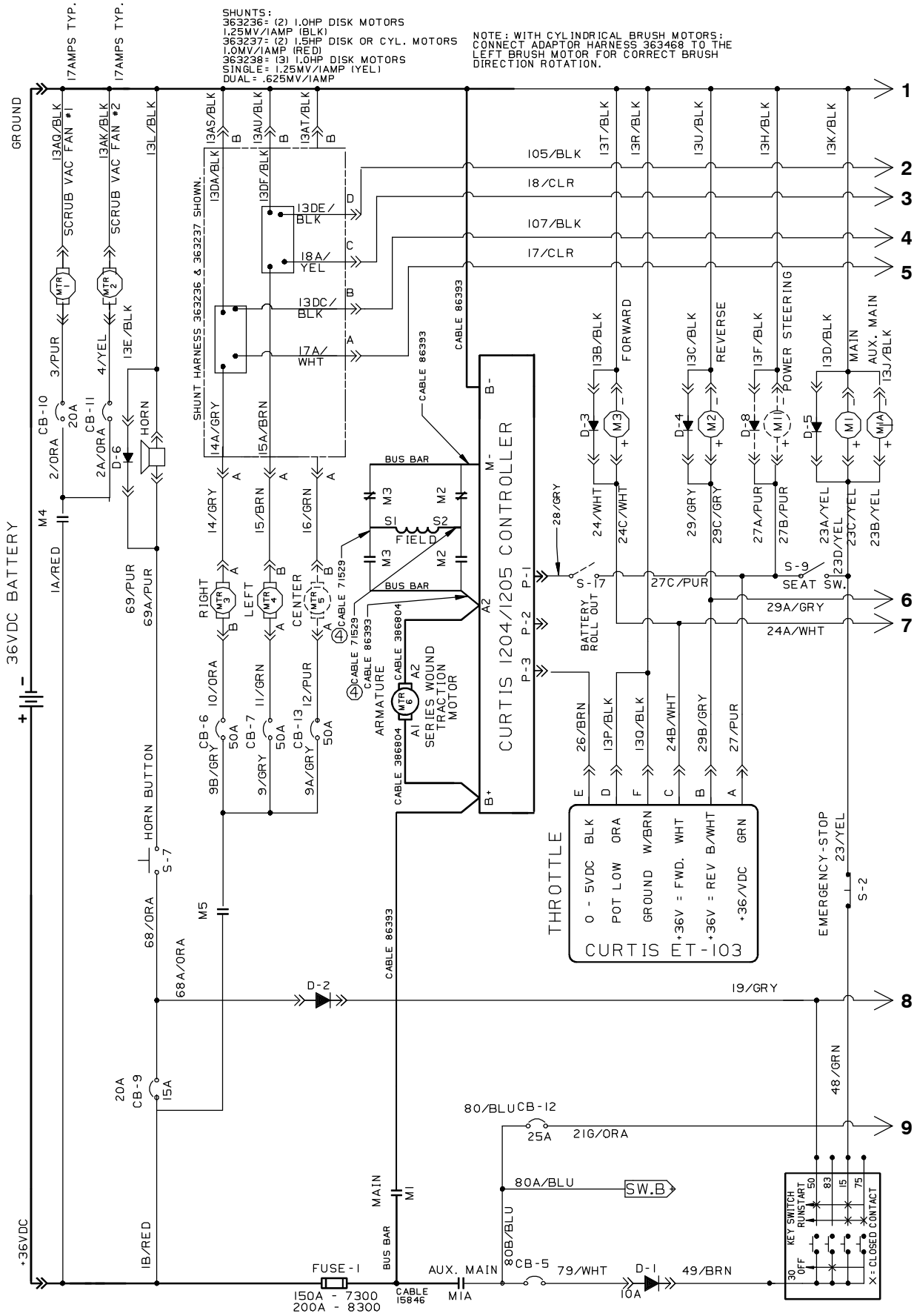
Fig. 42 - Electrical Group, FaST (003747-)



354204- 7300

Ref.	Tenant Part No.	Machine Serial Number	Description	Qty.
1	377084	(003747-)	Switch, Rocker, Prgrsv	1
2	383720	(003747-)	Circuitbreaker, 05.0A, Resetable	1
3	398526	(003747-)	Relay, 36Vdc, 005A, Spdt No [Greenwich]	1
4	12312	(003747-)	Screw, Hex, M5 X 0.80 X 12, 8.8	1
5	19066	(003747-)	Washer, Flat, 10	1
6	1011276	(003747-)	Label, Switch [7300/8300 FaST]	1

Fig. 43 - Electrical Schematic (000000-003746)



SHUNTS:
 363236: (2) 1.0HP DISK MOTORS
 1.25MV/IAMP (BLK)
 363237: (2) 1.5HP DISK OR CYL. MOTORS
 1.0MV/IAMP (RED)
 363238: (3) 1.0HP DISK MOTORS
 95IN6/E: 1.25MV/IAMP (YEL)
 DUAL: 6.25MV/IAMP

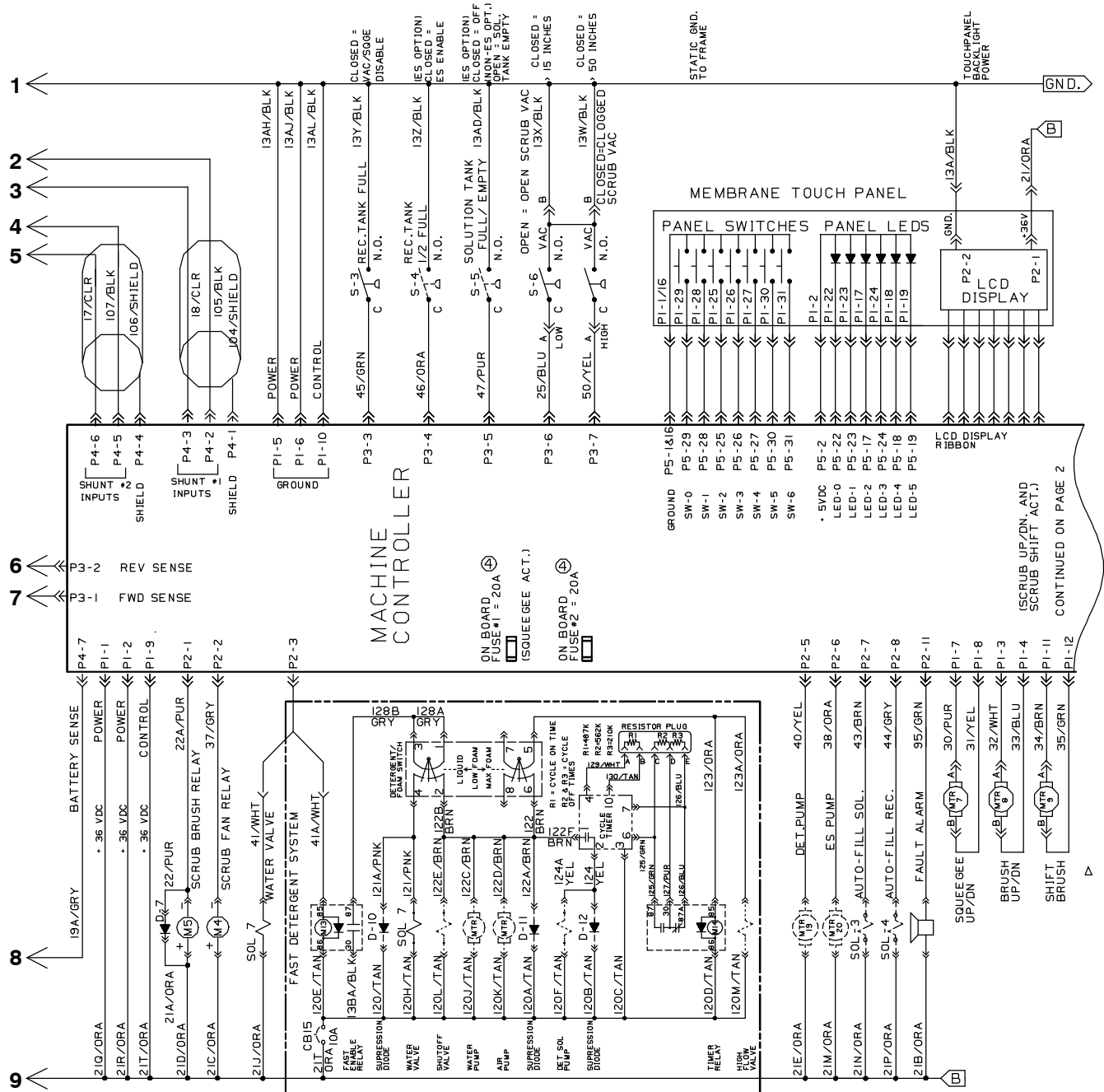
NOTE: WITH CYLINDRICAL BRUSH MOTORS;
 CONNECT ADAPTOR HARNESS 363468 TO THE
 LEFT BRUSH MOTOR FOR CORRECT BRUSH
 DIRECTION ROTATION.

THROTTLE
 0 - 5VDC BLK
 POT LOW ORA
 GROUND W/BRN
 +36V = FWD. WHT
 +36V = REV B/WHT
 +36V/DC GRN

CURTIS FT-103

353346, 386300

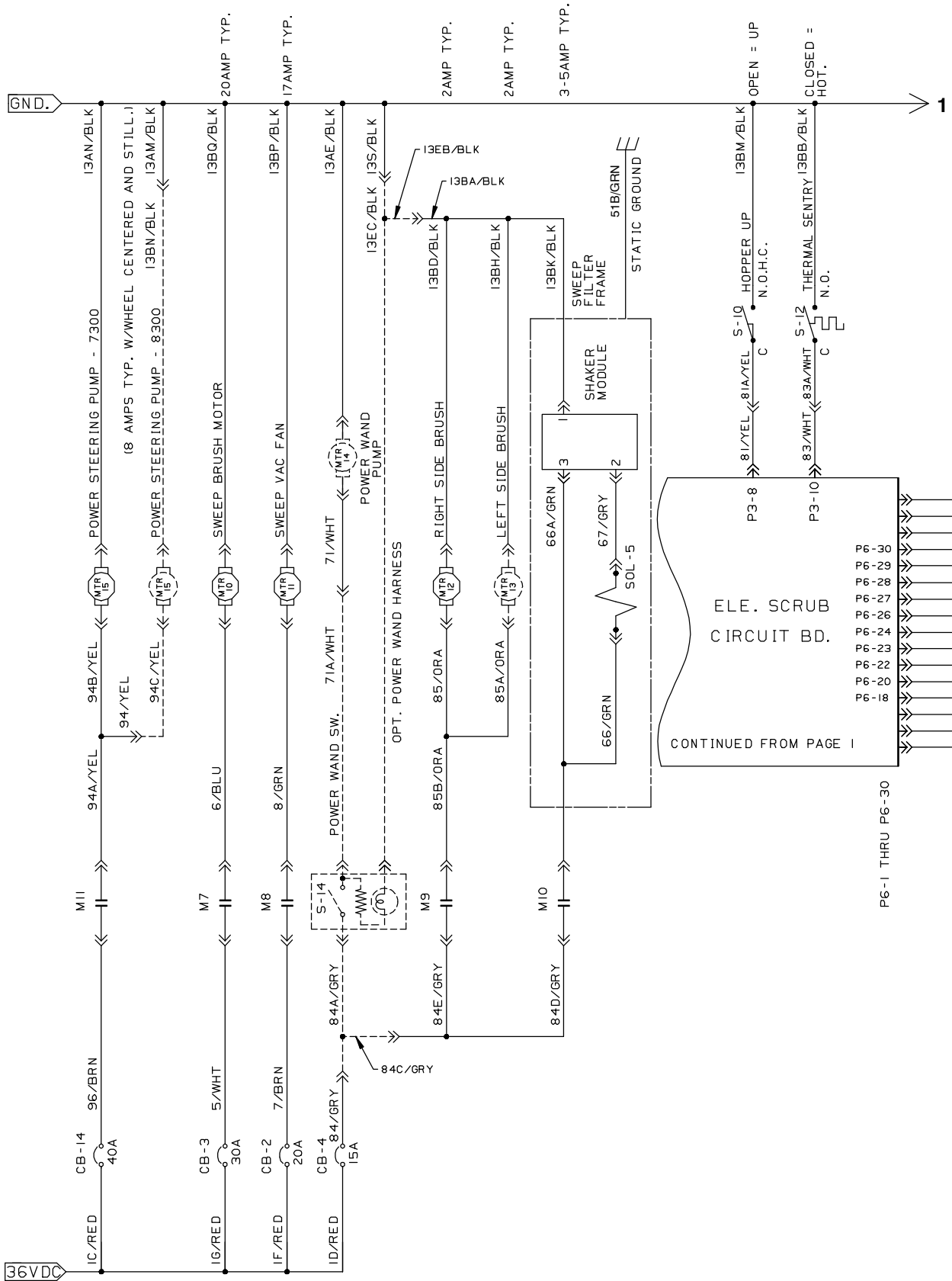
Fig. 43 - Electrical Schematic (00000-003746)



CB	CIRCUIT BREAKER	FU	FUSE
MTR	MOTOR	D	DIODE
P	CONNECTOR PIN	M	RELAY COIL
S	SWITCH	R	RESISTOR
ARM	ARMATURE	HM	HOURLMETER
N.O.	NORM.OPEN CONTACT	C	COMMON CONTACT
SV	HYD.SOLENOID VALVE	SOL.	ELE. MECH. VALVE

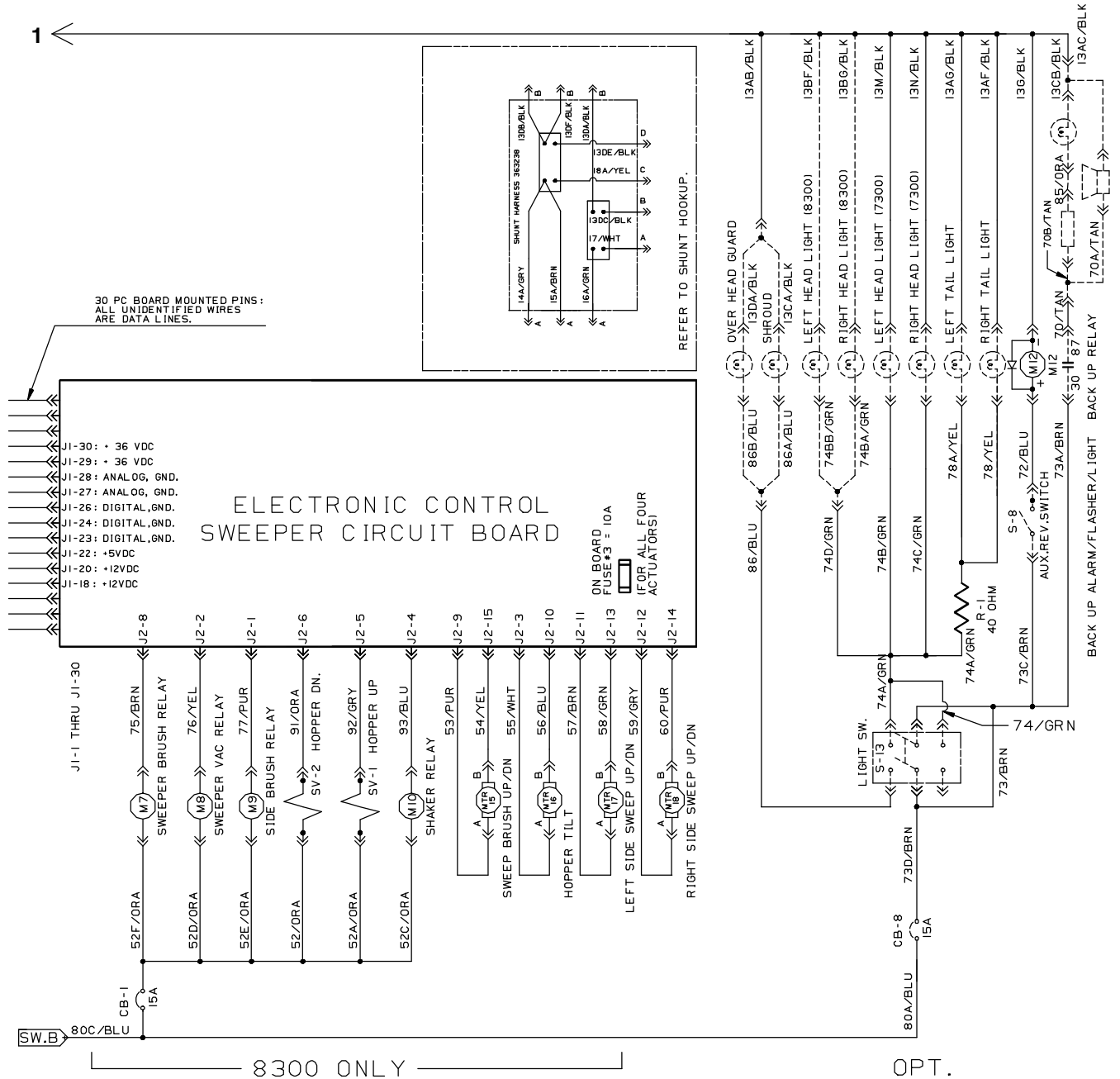
353346, 386300

Fig. 43 - Electrical Schematic (000000-003746)



8300 ONLY OPT.

Fig. 43 - Electrical Schematic (000000-003746)

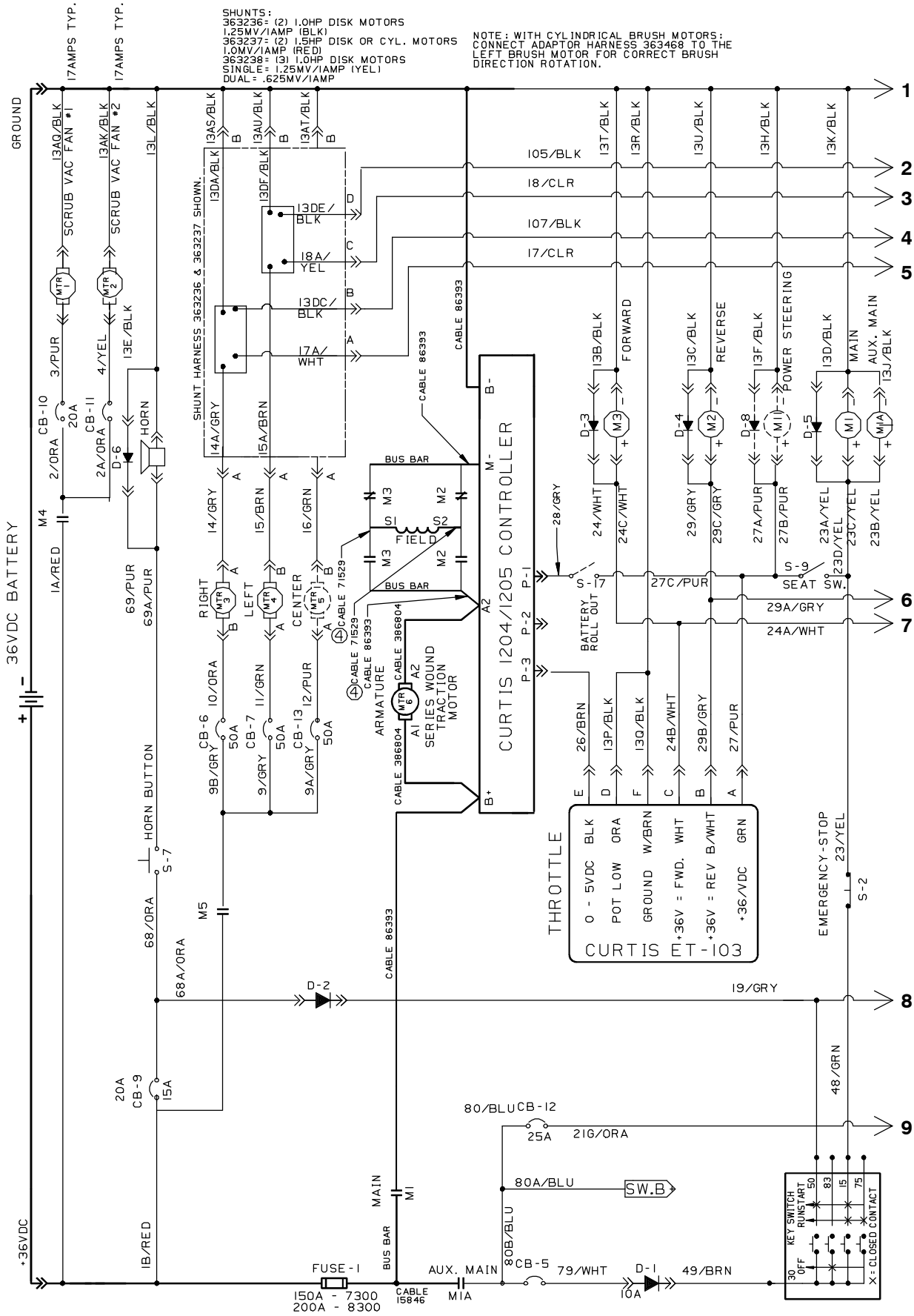


LEGEND

CB	CIRCUIT BREAKER	FU	FUSE
MTR	MOTOR	D	DIODE
P	CONNECTOR PIN	M	RELAY COIL
S	SWITCH	R	RESISTOR
ARM	ARMATURE	HM	HOURLMETER
N.O.	NORM. OPEN CONTACT	C	COMMON CONTACT

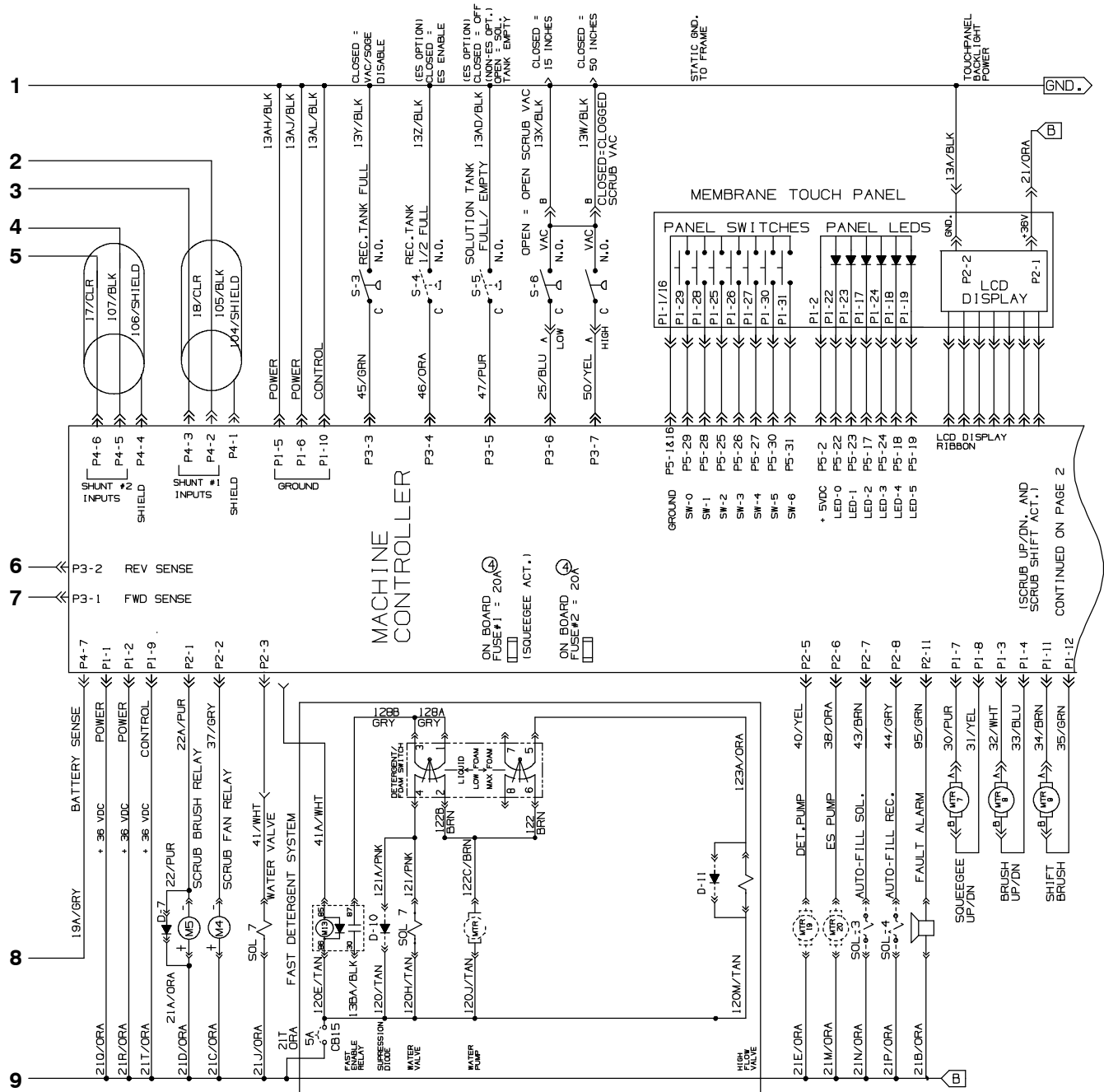
353346, 386300

Fig. 44 - Electrical Schematic (003747-)



353346, 386300

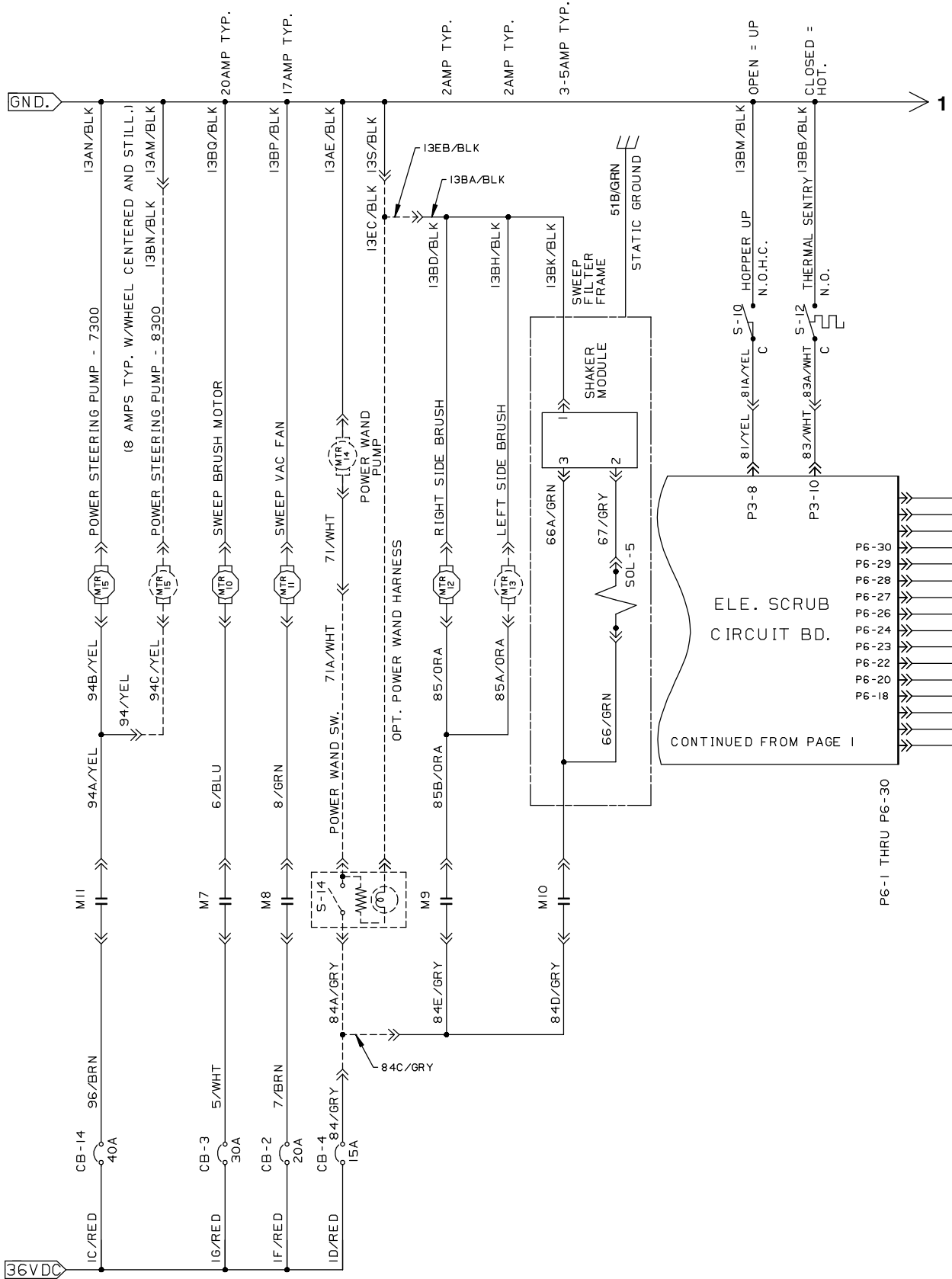
Fig. 44 - Electrical Schematic (003747-)



CB	CIRCUIT BREAKER	FU	FUSE
MTR	MOTOR	D	DIODE
P	CONNECTOR PIN	M	RELAY COIL
S	SWITCH	R	RESISTOR
ARM	ARMATURE	HM	HOURMETER
N.O.	NORM. OPEN CONTACT	C	COMMON CONTACT
SV	HYD. SOLENOID VALVE	SOL.	ELE. MECH. VALVE

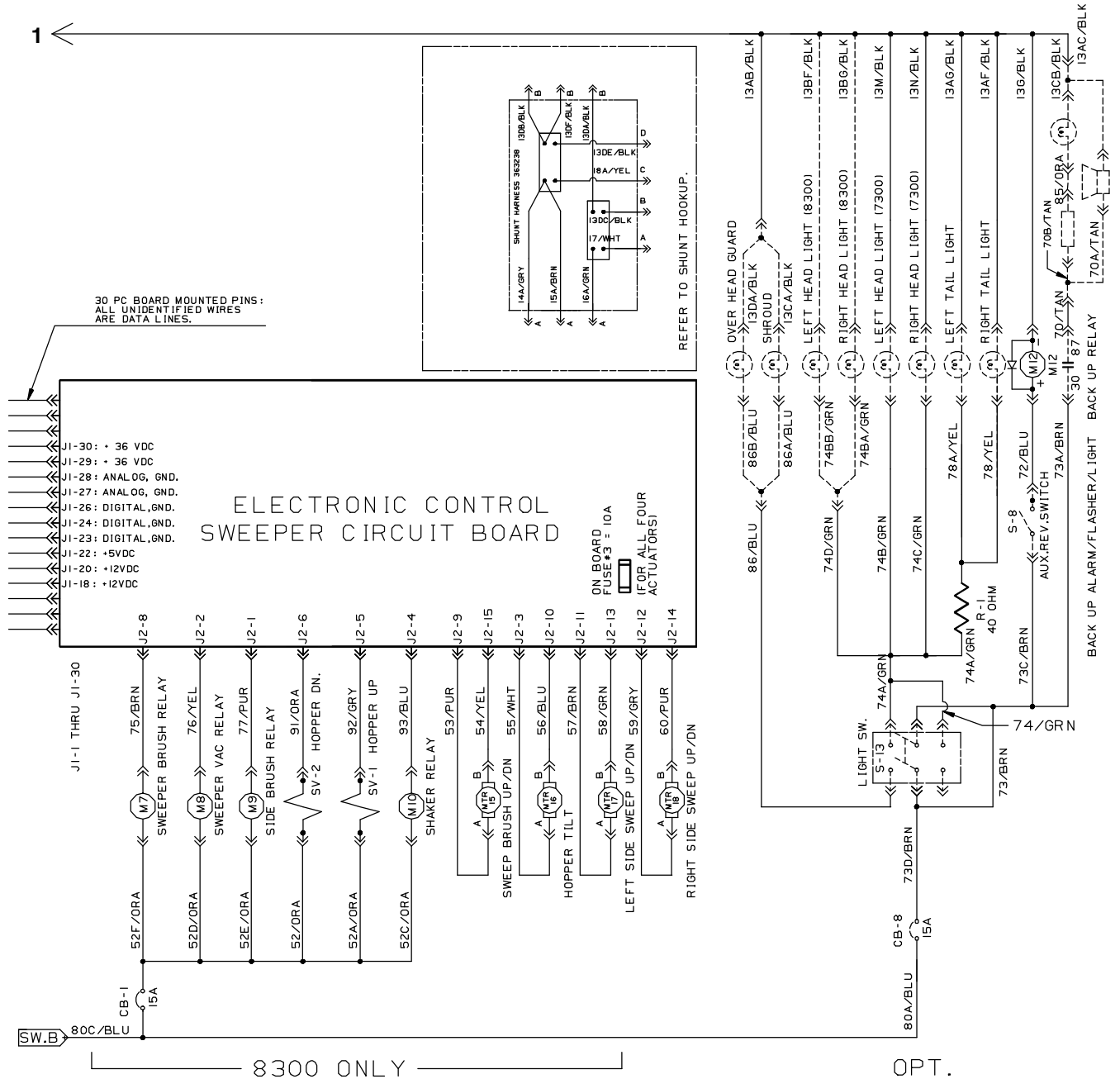
353346, 386300

Fig. 44 - Electrical Schematic (003747-)



8300 ONLY OPT.

Fig. 44 - Electrical Schematic (003747-)



8300 ONLY

OPT.

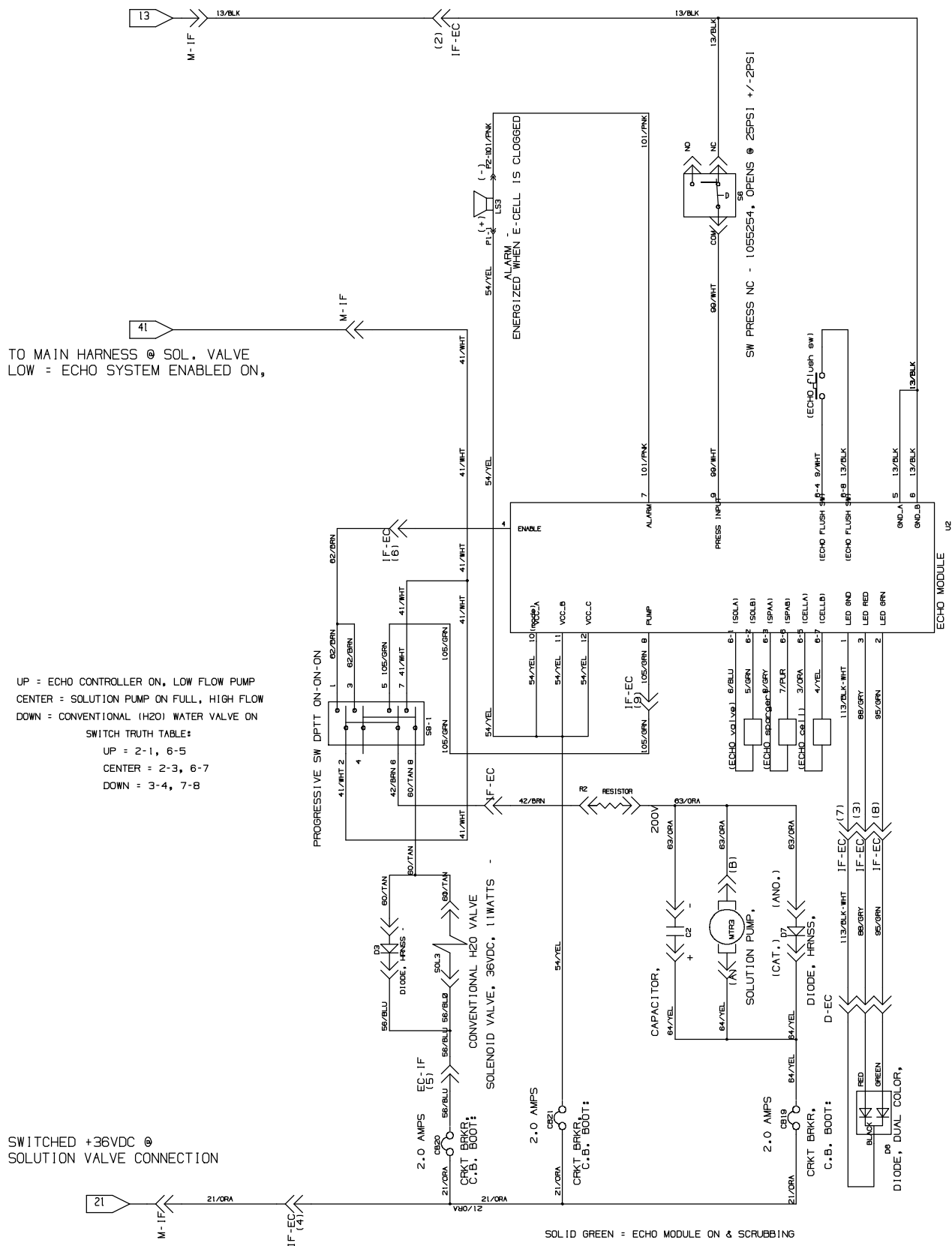
LEGEND

CB	CIRCUIT BREAKER	FU	FUSE
MTR	MOTOR	D	DIODE
P	CONNECTOR PIN	M	RELAY COIL
S	SWITCH	R	RESISTOR
ARM	ARMATURE	HM	HOURLMETER
N.O.	NORM. OPEN CONTACT	C	COMMON CONTACT

353346, 386300

Fig. 44 - Electrical Schematic (003747-)

GROUND @ NEG. STANDOFF



353346, 386300

Fig. 45 - Electrical Wire Harness Group, Main

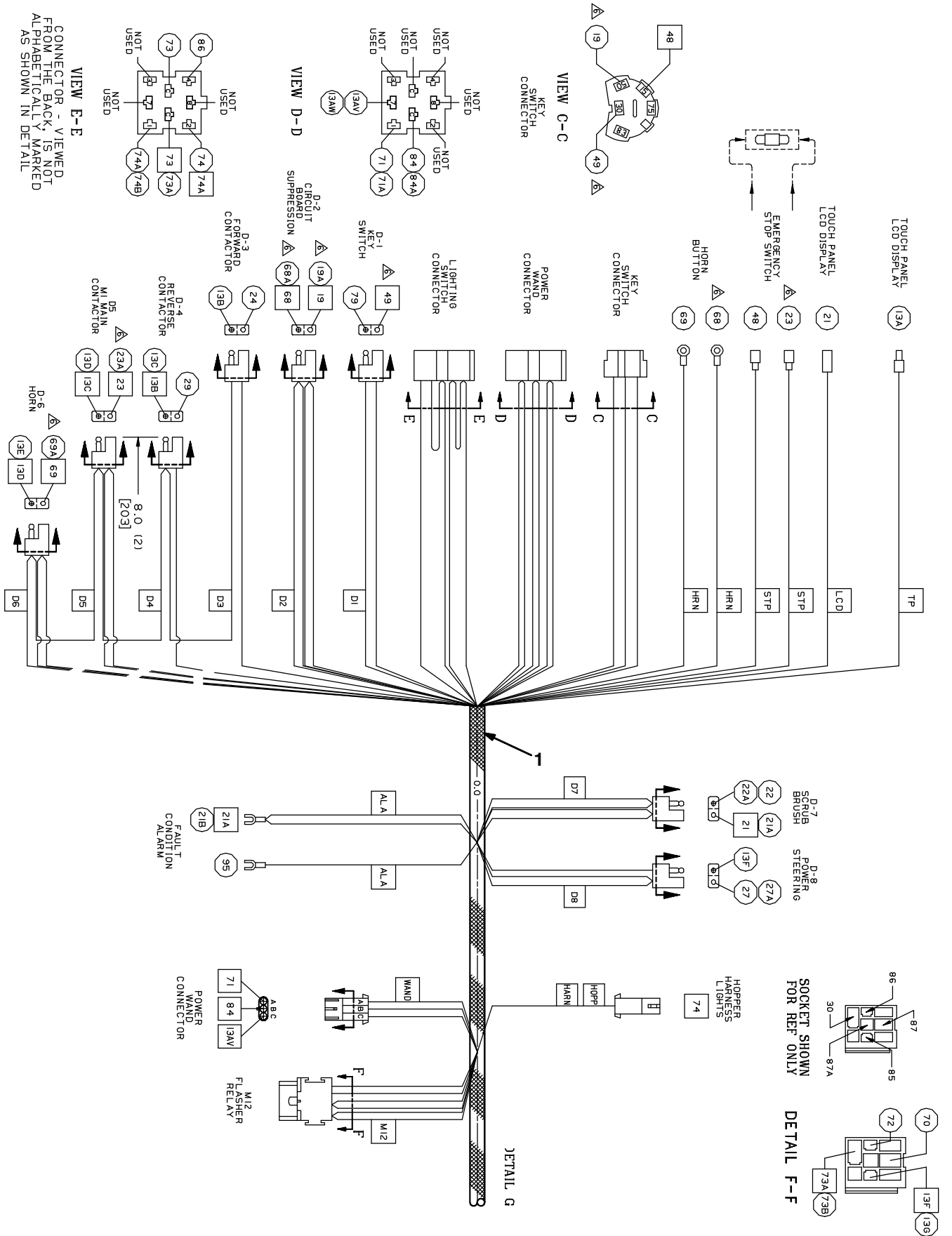


Fig. 45 - Electrical Wire Harness Group, Main

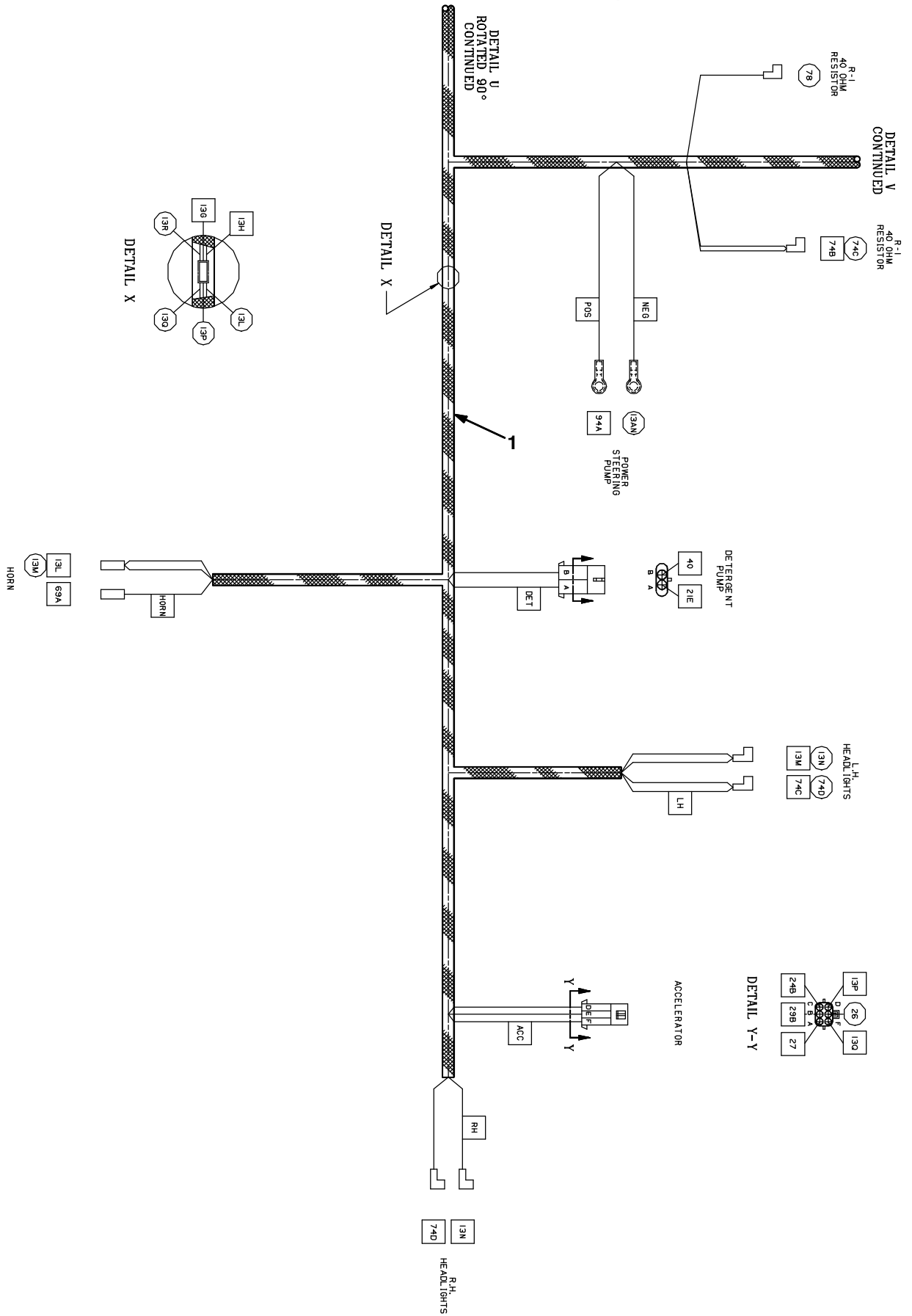


Fig. 45 - Electrical Wire Harness Group, Main

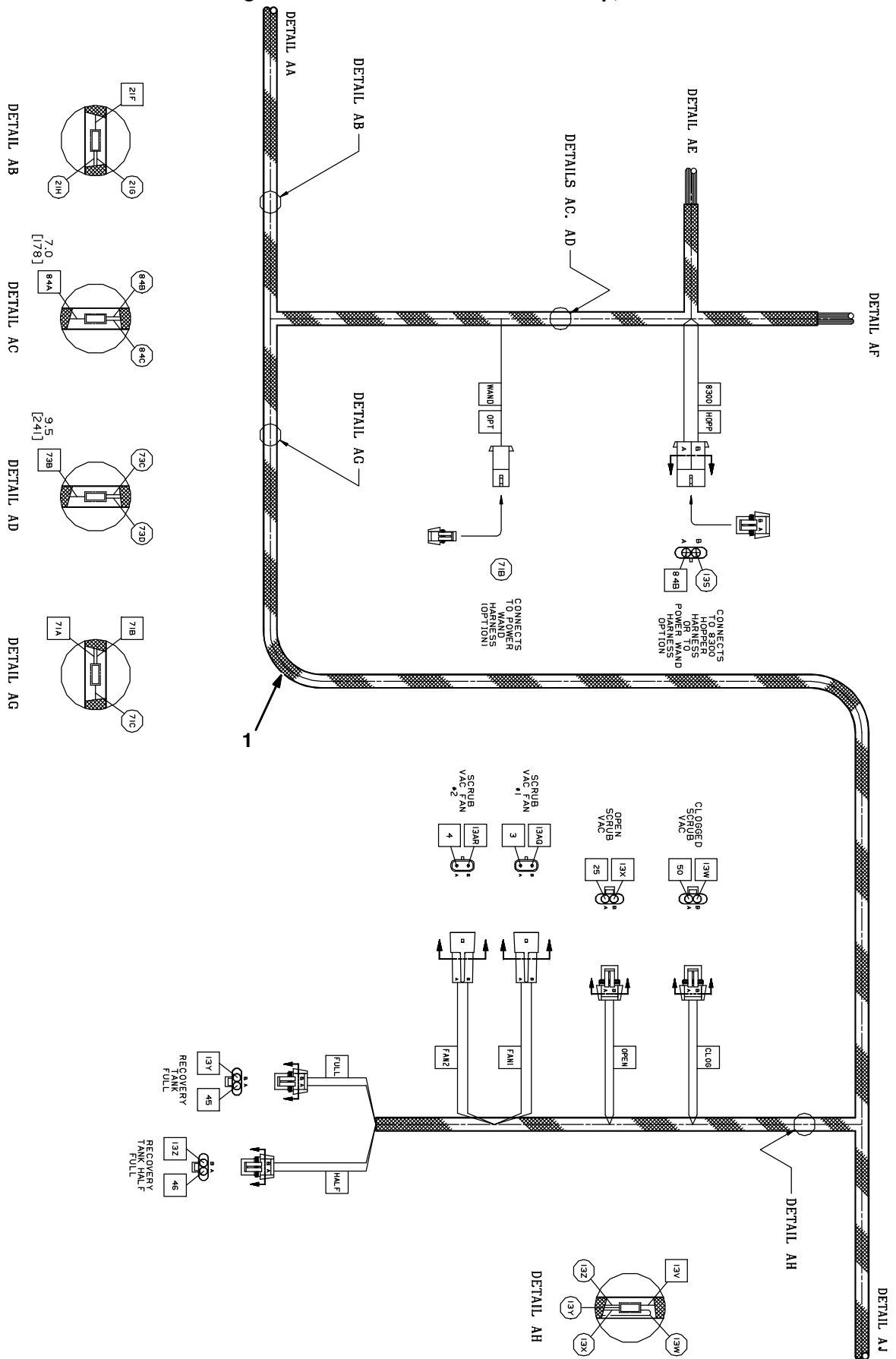


Fig. 45 - Electrical Wire Harness Group, Main

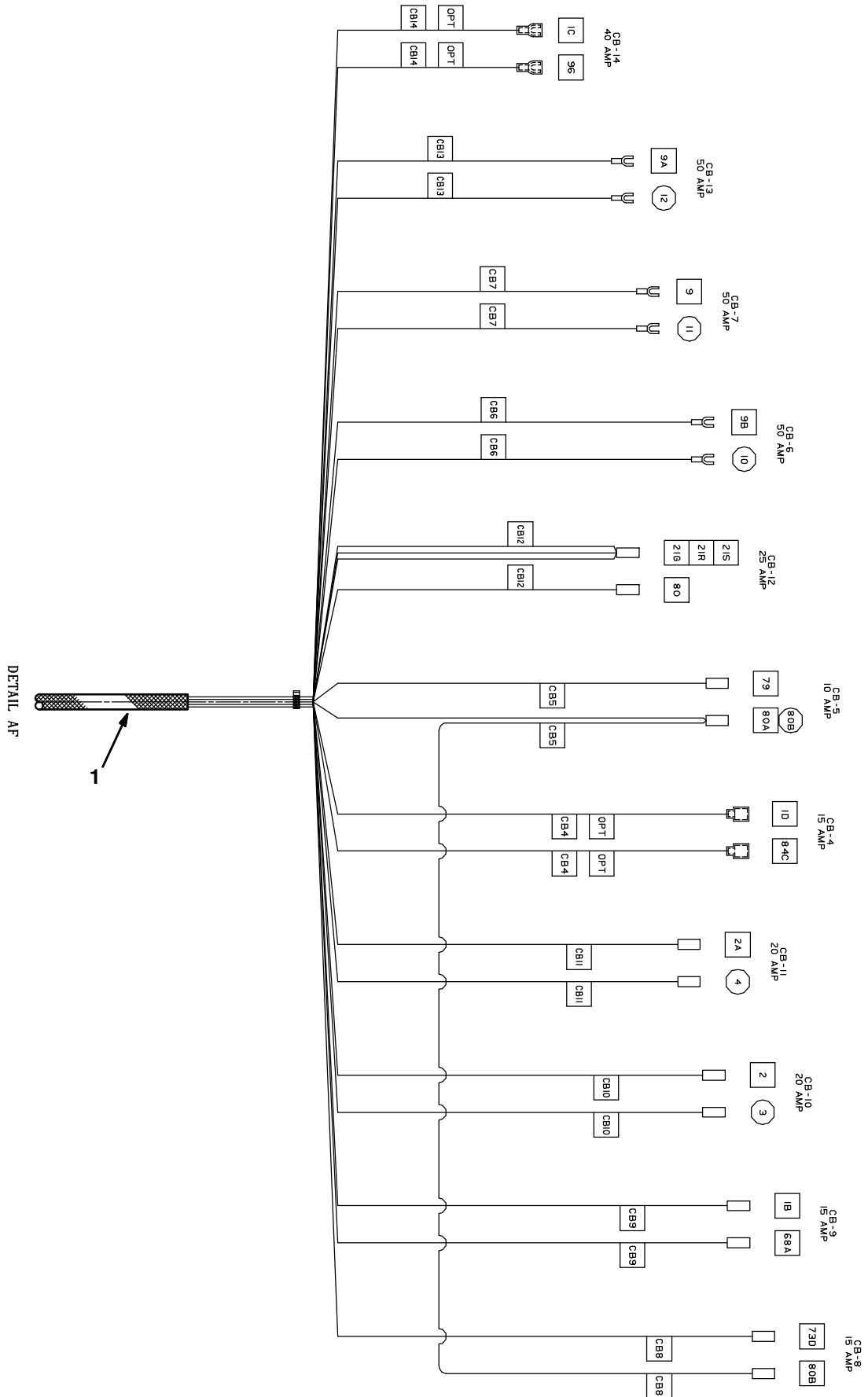


Fig. 45 - Electrical Wire Harness Group, Main

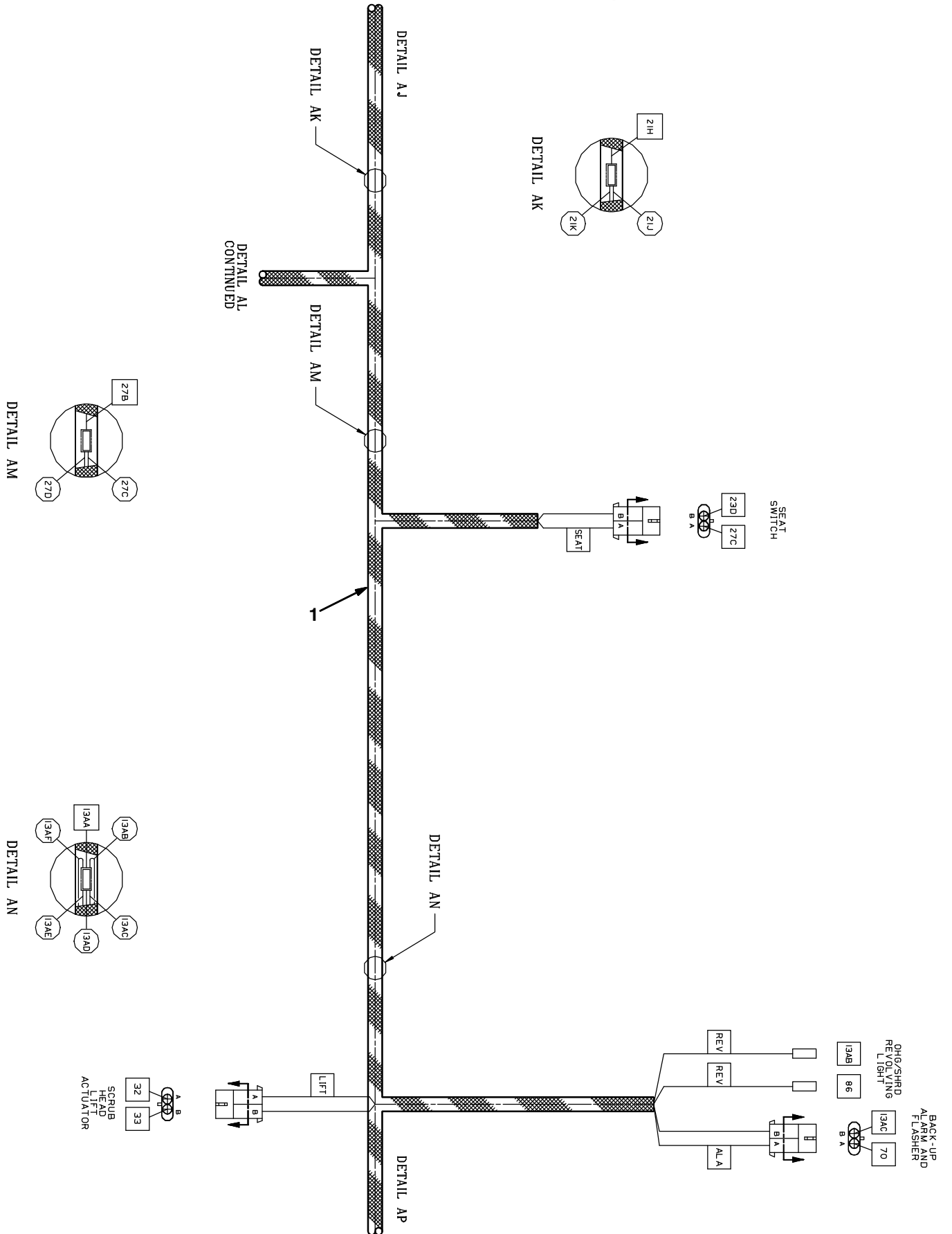


Fig. 45 - Electrical Wire Harness Group, Main

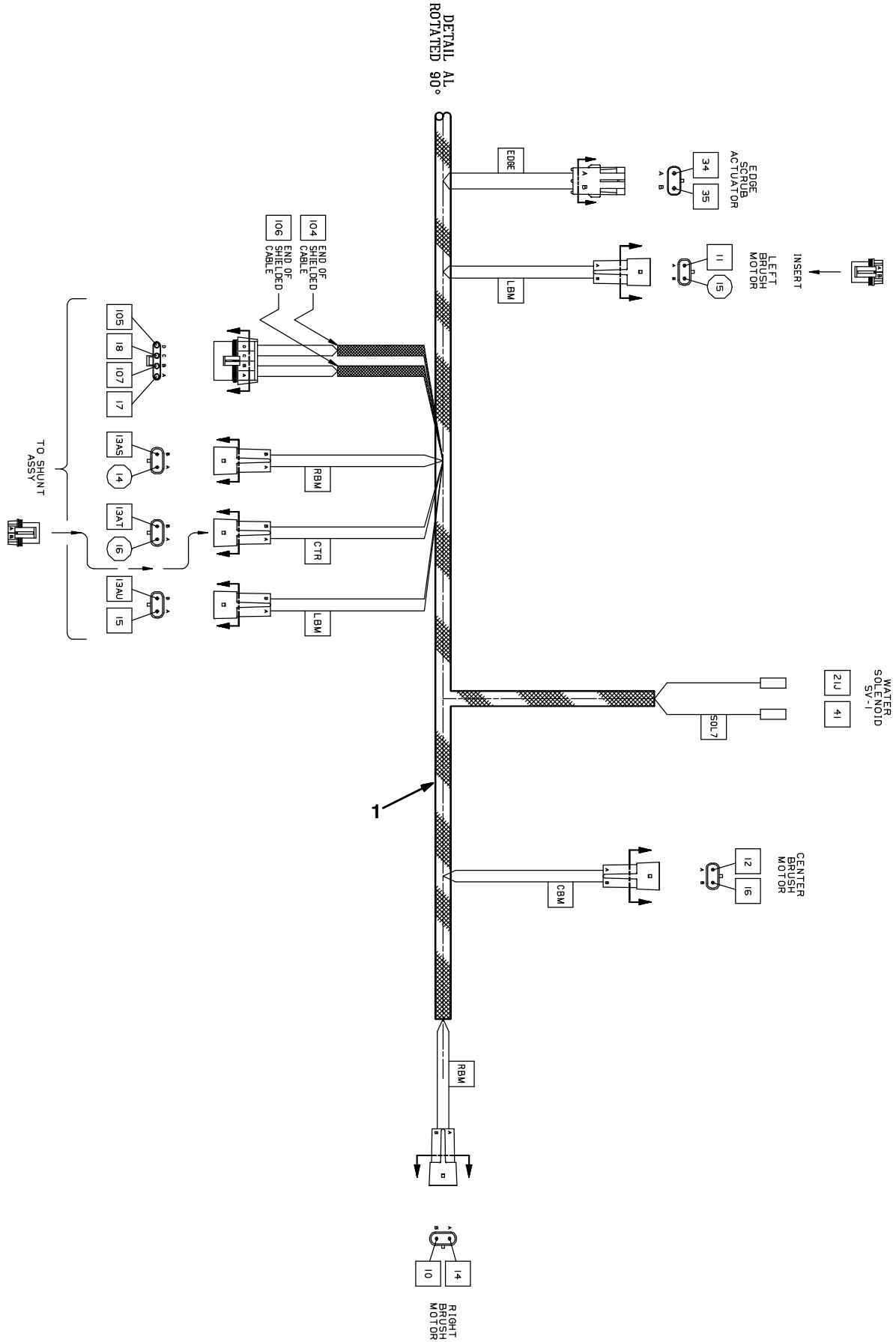


Fig. 45 - Electrical Wire Harness Group, Main

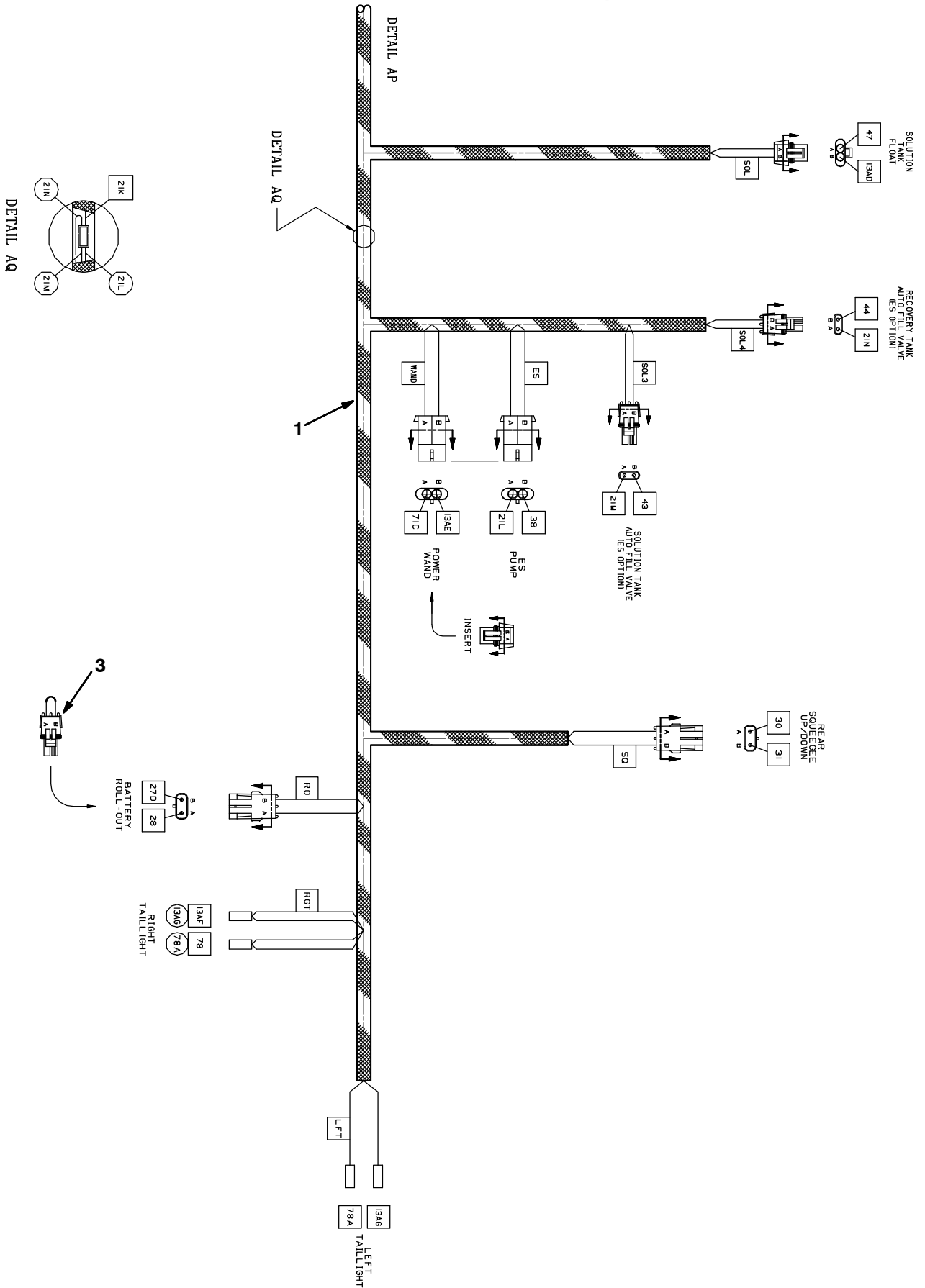
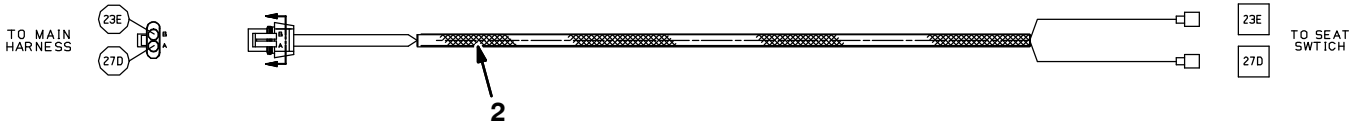
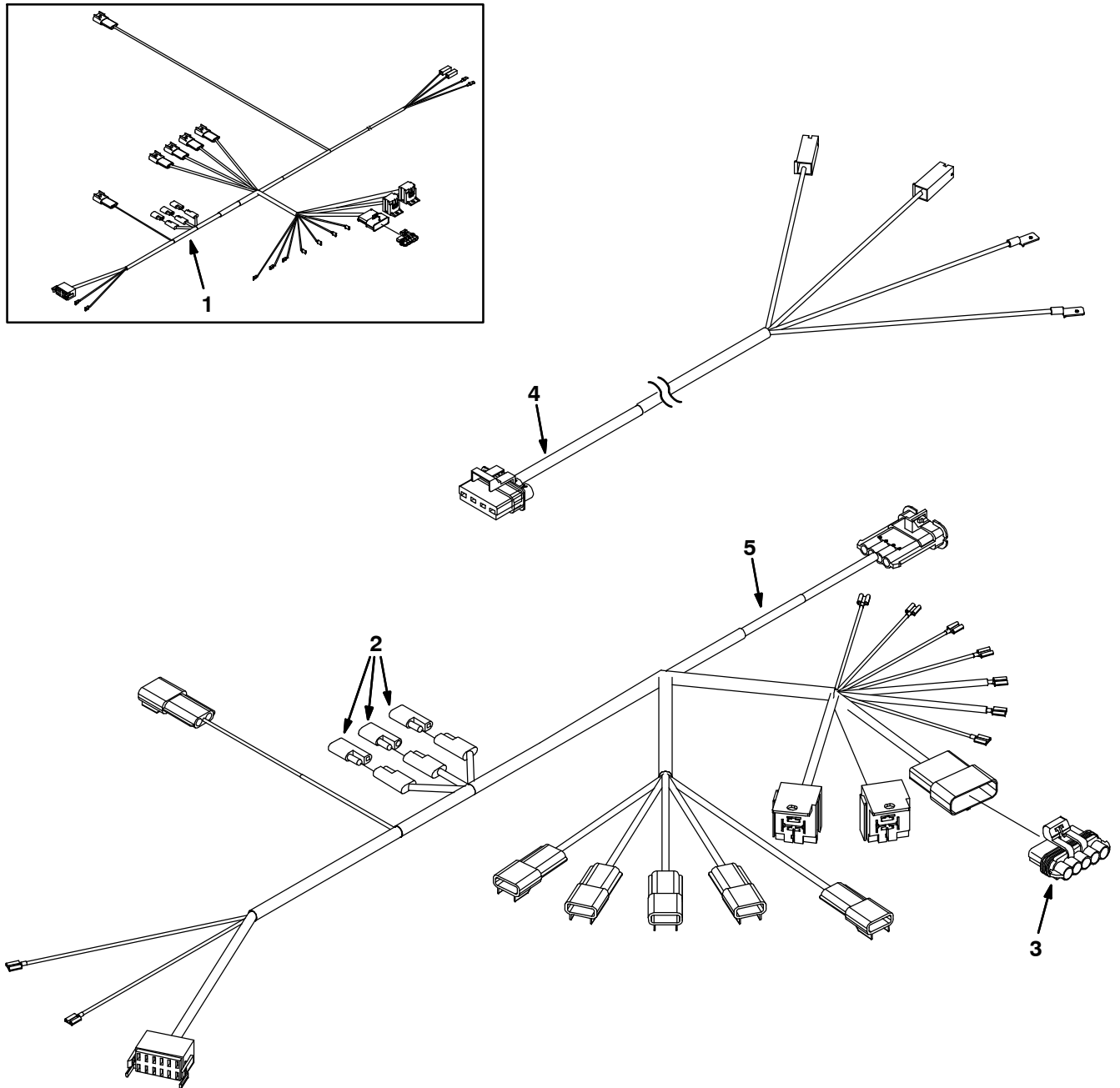


Fig. 45 - Electrical Wire Harness Group, Main



Ref.	Tennant Part No.	Machine Serial Number	Description	Qty.
1	386600	(000000-001405)	Harness, Main, 7300, 8300	1
1	387424	(001406-) Harness, Main, 7300, 8300	1
2	387302	(000000-) Harness, Wire, Jumper, Seat Switch	1
3	60278	(000000-) Harness, Jumper, Arm	2

Fig. 46 - Electrical Wire Harness Group, FaST (000000-003746)

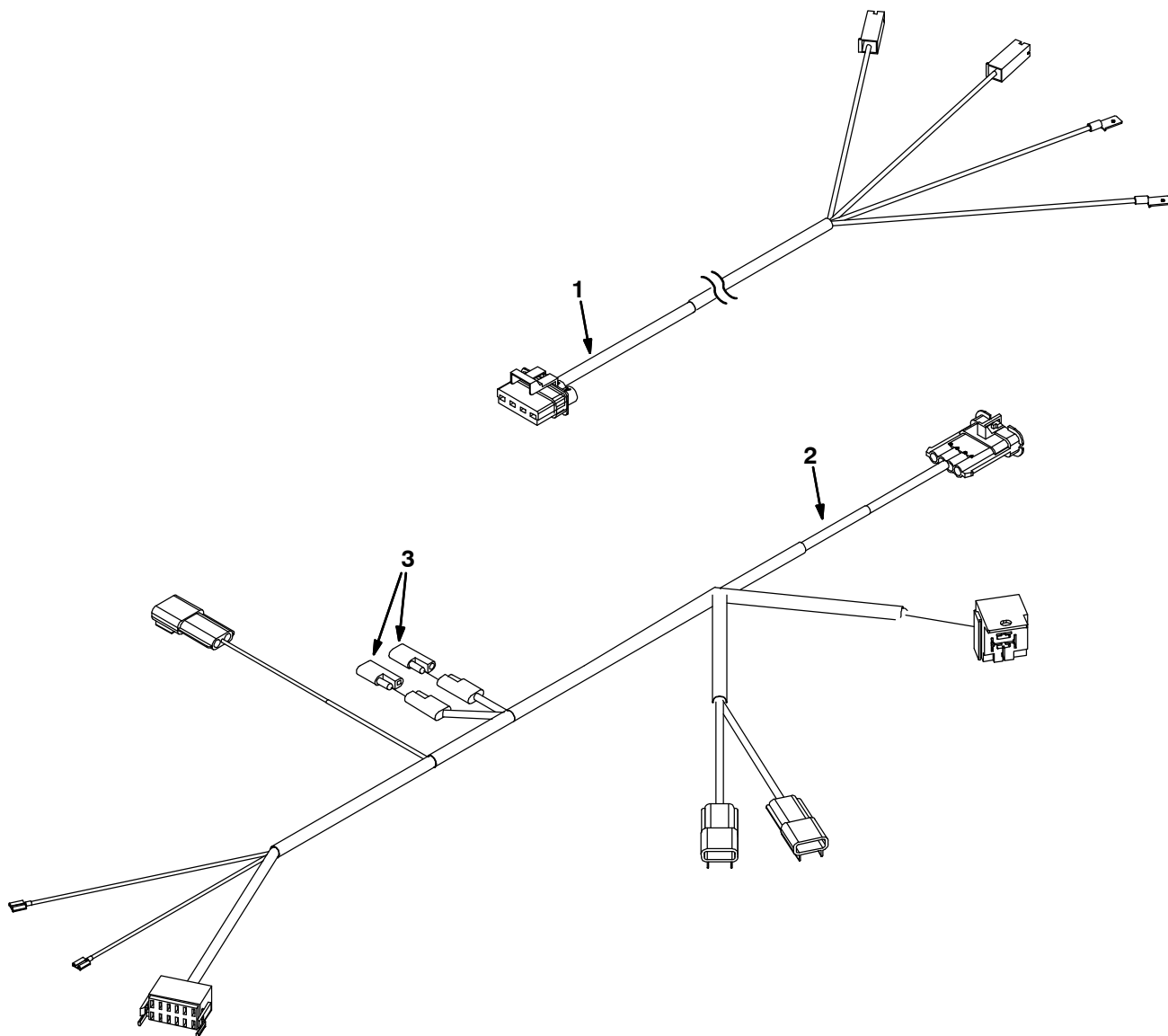


354203 - 7300

Ref.	Tenant Part No.	Machine Serial Number	Description	Qty.
1	1010325	(000000-002252)	Harness, Fast, 7300/8300	1
2	222290	(000000-003746)	Diode, Ele, Plug	3
3	1015096	(000000-003746)	Plug, Resistor	1
4	1017288	(002253-003746)	Harness, Rear, [Fast 7300/8300]	1
5	1017289	(002253-003746)	Harness [Fast 7300/8300]	1

STANDARD PARTS

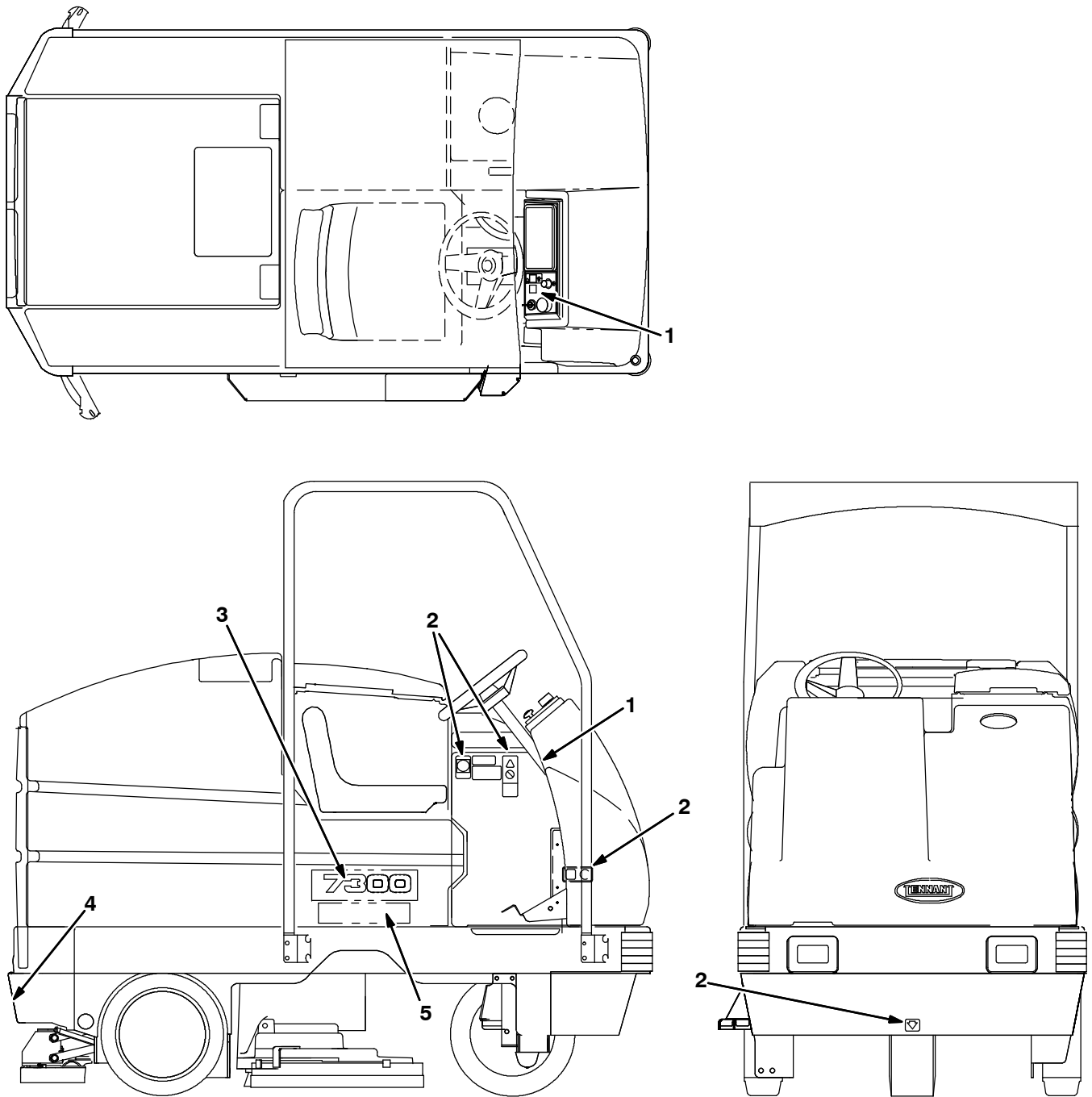
Fig. 47 - Electrical Wire Harness Group, FaST (003747-)



354203 - 7300

Ref.	Tenant Part No.	Machine Serial Number	Description	Qty.
1	1017288	(003747-)	Harness, Rear [FaST 7300/8300]	1
2	1052588	(003747-)	Harness [FaST II+ 7300/8300]	1
3	222290	(003747-)	Diode, Ele, Plug	2

Fig. 48 - Label Group



353345 - 7300, NA

Ref.	Tennant Part No.	Machine Serial Number	Description	Qty.
1	386130	(000000-)	Label Set, Operational, 7300/8300	1
2	387032	(000000-)	Label Set, Info & Hzd	1
3	1059037	(000000-)	Label, Tank, BI-Gr [7300]	2
4	387525	(000000-)	Label, Sqge	1
5	1056944	(000000-)	Label, Tank [ec-H2O]	2
5	1056945	(000000-)	Label, Tank [ES]	2
5	1056947	(000000-)	Label, Logo, BI-Gr [FaST]	2

SECTION 3

Contents	Page
Fig. 1 - Revolving Light Kit (000000-004999)	3-4
Fig. 2 - Revolving Light Kit (005000-)	3-6
Fig. 3 - Revolving Light Kit, Overhead Guard (000000-004999)	3-8
Fig. 4 - Revolving Light Kit, Overhead Guard (005000-)	3-10
Fig. 5 - Backup Alarm Kit (000000-004999)	3-12
Fig. 6 - Backup Alarm Kit (005000-)	3-14
Fig. 7 - Rear Bumper Kit (000000-004999)	3-16
Fig. 8 - Rear Bumper Kit (005000-) .	3-17
Fig. 9 - Overhead Guard Kit (000000-004999)	3-18
Fig. 10 - Overhead Guard Kit (005000-)	3-20
Fig. 11 - Seat Belt Kit	3-22
Fig. 12 - Suspension Seat Kit	3-24
Fig. 13 - Power Steering Group	3-26
Fig. 14 - Power Steering Hydraulic Hose Group	3-28
Fig. 15 - Power Steering Hydraulic Schematic	3-29
Fig. 16 - Right Side Brush Motor And Pivot Group	3-30
Fig. 17 - Right Side Brush Lift Group	3-32
Fig. 18 - Right Side Brush Bumper And Electrical Group	3-34
Fig. 19 - Left Side Brush Motor And Pivot Group	3-36
Fig. 20 - Left Side Brush Lift Group	3-38
Fig. 21 - Left Side Brush Mount Group	3-40
Fig. 22 - Max Pro 1200 (Disc-Brush) Scrub Head Frame Group	3-42
Fig. 23 - Max Pro 1200 (Disc-Brush) Scrub Head Linkage Group	3-44
Fig. 24 - Max Pro 1200 (Disc-Brush) Solution Valve Group	3-46
Fig. 25 - Max Pro 1200 (Disc-Brush) Solution Valve Group (FaST/ec-H2O)	3-48
Fig. 26 - Max Pro 1200 (Disc-Brush) Edge Scrub Group	3-50
Fig. 27 - Max Pro 1200 (Disc-Brush) Right Side Squeegee Group	3-52
Fig. 28 - Max Pro 1200 (Disc-Brush) Right Side Vacuumized Squeegee Group	3-54
Fig. 29 - Max Pro 1200 (Disc-Brush) Left Side Squeegee Group	3-56
Fig. 30 - Max Pro 1000 (Cylindrical Brush) Scrub Head Frame and Linkage Group	3-58

Contents	Page
Fig. 31 - Max Pro 1000 (Cylindrical Brush) Scrub Head Drive Group	3-60
Fig. 32 - Max Pro 1000 (Cylindrical Brush) Solution Valve Group	3-62
Fig. 33 - Max Pro 1000 (Cylindrical Brush) Solution Valve Group (FaST/ec-H2O)	3-64
Fig. 34 - Max Pro 1000 (Cylindrical Brush) Edge Scrub Group	3-66
Fig. 35 - Max Pro 1000 (Cylindrical Brush) Right Side Squeegee Group	3-68
Fig. 36 - Max Pro 1000 (Cylindrical Brush) Left Side Squeegee Group	3-70
Fig. 37 - Max Pro 1000 (Cylindrical Brush) Debris Tray Group	3-72
Fig. 38 - Max Pro 1000 (Cylindrical Brush) Vacuumized Debris Tray Group .	3-74
Fig. 39 - Max Pro 1200 (Cylindrical Brush) Scrub Head Frame and Linkage Group	3-76
Fig. 40 - Max Pro 1200 (Cylindrical Brush) Scrub Head Drive Group	3-78
Fig. 41 - Max Pro 1200 (Cylindrical Brush) Solution Valve Group	3-80
Fig. 42 - Max Pro 1200 (Cylindrical Brush) Solution Valve Group (FaST/ec-H2O)	3-82
Fig. 43 - Max Pro 1200 (Cylindrical Brush) Edge Scrub Group	3-84
Fig. 44 - Max Pro 1200 (Cylindrical Brush) Right Side Squeegee Group	3-86
Fig. 45 - Max Pro 1200 (Cylindrical Brush) Left Side Squeegee Group	3-88
Fig. 46 - Max Pro 1200 (Cylindrical Brush) Debris Tray Group	3-90
Fig. 47 - Max Pro 1200 (Cylindrical Brush) Vacuumized Debris Tray Group .	3-92
Fig. 48 - ES Pump Group	3-94
Fig. 49 - ES Tank Goup	3-96
Fig. 50 - ES Drain Assembly	3-98
Fig. 51 - ec-H2O Solution Pump Group ..	3-100
Fig. 52 - ec-H2O Switch and Label Group	3-102
Fig. 53 - ec-H2O Wire Harnesses Group .	3-104
Fig. 54 - ec-H2O Install Kits	3-105
Fig. 55 - Positive Solution Control Drain Kit, Recovery Tank (000000-004999)	3-106
Fig. 56 - Positive Solution Control Drain Kit, Recovery Tank (005000-)	3-108
Fig. 57 - Positive Solution Control Drain Kit, Solution Tank (000000-004999)	3-110
Fig. 58 - Positive Solution Control Drain Kit, Solution Tank (005000-) .	3-112

OPTIONS

Contents	Page
Fig. 59 - Low Water Level Kit	3-114
Fig. 60 - Detergent Metering Kit	3-116
Fig. 61 - Power Wand Hose Assembly . . .	3-118
Fig. 62 - Power Wand Assembly	3-120
Fig. 63 - Power Wand Pump and Fittings Group	3-122
Fig. 64 - Power Wand Mount Group	3-124
Fig. 65 - Vacuum Wand Kit	3-126
Fig. 66 - Max Pro 1200 Rear Squeegee Group (000000-004999)	3-128
Fig. 67 - Max Pro 1200 Rear Squeegee Group (005000-)	3-130
Fig. 68 - Max Pro 1200 Rear Squeegee Group for Vacuumized Side Squeegee (000000-004999) . . .	3-132
Fig. 69 - Max Pro 1200 Rear Squeegee Group for Vacuumized Side Squeegee (005000-)	3-134
Fig. 70 - Max Pro 1000 Urethane Squeegee Kit	3-136
Fig. 71 - Max Pro 1200 Urethane Squeegee Kit	3-137
Fig. 72 - Battery Rollout Kit	3-138
Fig. 73 - Battery Forklift Kit	3-140
Fig. 74 - Battery Kit, 380AH Wet	3-142
Fig. 75 - Battery Kit, 500AH Wet	3-144
Fig. 76 - Battery Kit, 600AH (000000-004999)	3-146
Fig. 77 - Battery Kit, 600AH (005000-)	3-148
Fig. 78 - Battery Kit, 750AH Wet	3-150
Fig. 79 - Battery Charger Group, 75A, 36V, 60Hz 1PH (380Ah Batteries)	3-152
Fig. 80 - Battery Charger Group, 75A, 36V, 60Hz 3Ph (380Ah Batteries)	3-153
Fig. 81 - Battery Charger Group, 120A, 36V, 60Hz 1Ph (500Ah Batteries)	3-154
Fig. 82 - Battery Charger Group, 120A, 36V, 60Hz 3Ph (500Ah Batteries)	3-155
Fig. 83 - Battery Charger Group, 150A, 36V, 60Hz (750Ah Batteries)	3-156
Fig. 84 - Battery Charger Group, 93A, 36V, 60Hz 1Ph (600Ah Batteries)	3-157
Fig. 85 - Battery Charger Group, 93A, 36V, 60Hz 3Ph (600Ah Batteries)	3-158
Fig. 86 - Tire, Non-Mark, Non-Skid, Front Drive	3-159
Fig. 87 - Tire, Non-Mark, Non-Skid, Rear	3-160
Fig. 88 - Fire Extinguisher Kit	3-161
Fig. 89 - Documentation Group	3-162

Fig. 1 - Revolving Light Kit (000000-004999)

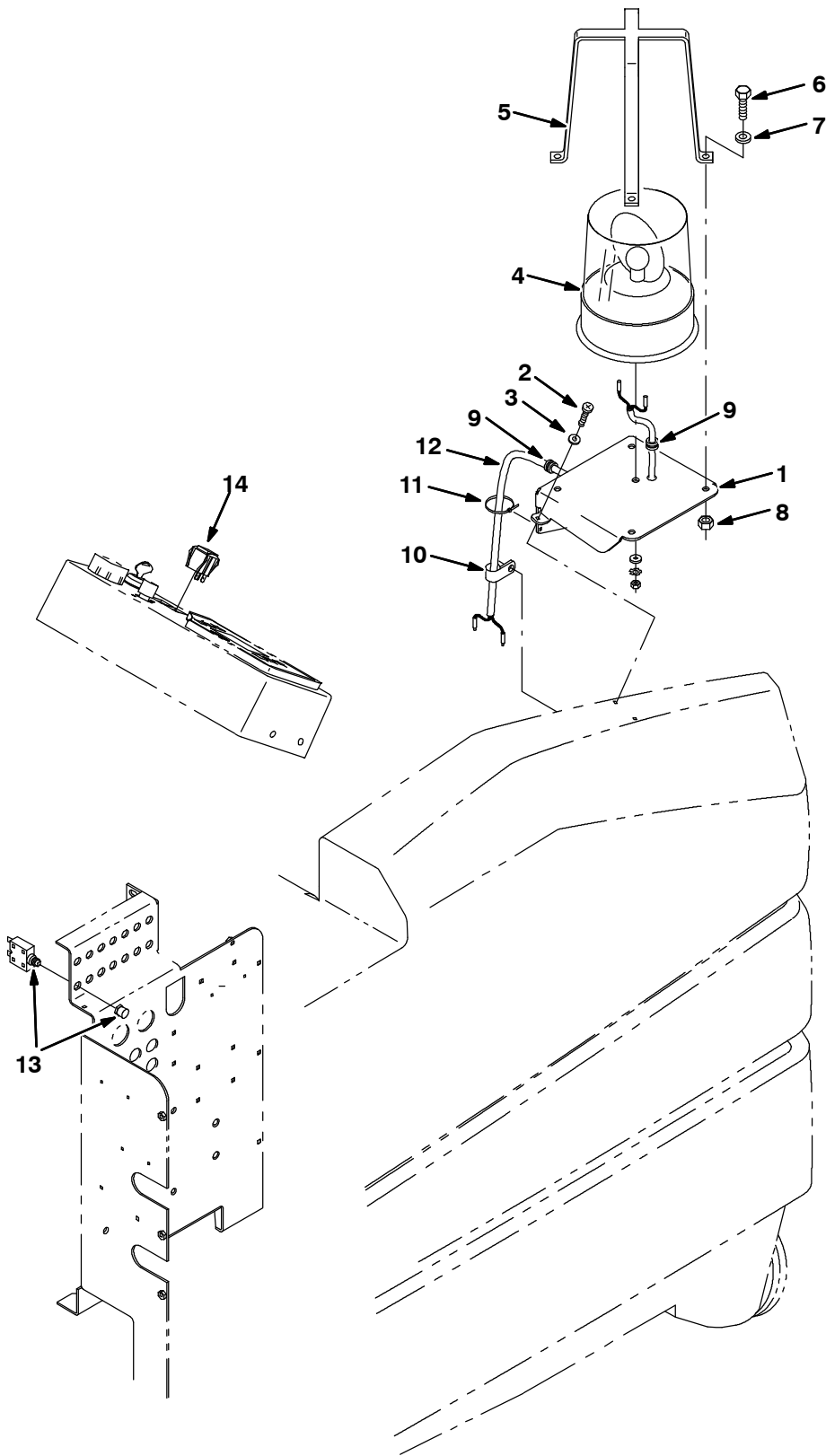


Fig. 1 - Revolving Light Kit (000000-004999)

Ref.	Tennant Part No.	Machine Serial Number	Description	Qty.
▽	387301	(000000-004999)	Kit, Cl, Light, Revl W/O OHG	1
▲	1 387157	(000000-004999)	Bracket, Mtg	1
▲	2 360943	(000000-004999)	Screw, Pan, #10-14 X 0.75, F/Plstc	5
▲	3 19066	(000000-004999)	Washer, Flt, #10	4
▲▽	4 87709	(000000-004999)	Light, Revl, 36vdc, Amb, Rework 44684	1
▲▲	44681-1	(000000-004999)	Lens, Amber, Light, Revl	1
▲▲	45283	(000000-004999)	Lamp, 40vdc, 0.9a, [50cp#1062]	1
▲	5 45272	(000000-004999)	Guard Wldt, Light, Revl/Fish	1
▲	6 39277	(000000-004999)	Screw, Hex, M08 X 1.25 X 25, 8.8	4
▲	7 39349	(000000-004999)	Washer, Flt, .31 Sae	4
▲	8 07791	(000000-004999)	Nut, Hex, Flng, M08 X 1.25	4
▲	9 10632-12	(000000-004999)	Grommet, Rbr, 0.38id, F/ 0.5h, .12matl	2
▲	10 26395-2	(000000-004999)	Clamp, Cable, Stl, 0.38d X 0.38w, 1h	1
▲	11 49266	(000000-004999)	Tie, Cable, Nyl, 07.3l .19w 1.8 Max D	1
▲	12 386609	(000000-004999)	Harness, Light, Revl, Shrd	1
▲	13 383722	(000000-004999)	Circuitbreaker, 15.0 A	1
▲	14 360520	(000000-004999)	Switch, Rocker	1
	44681	(000000-004999)	Lens, Rev. Light, Red	1
	44681-2	(000000-004999)	Lens, Rev. Light, Blue	1

Fig. 2 - Revolving Light Kit (005000-)

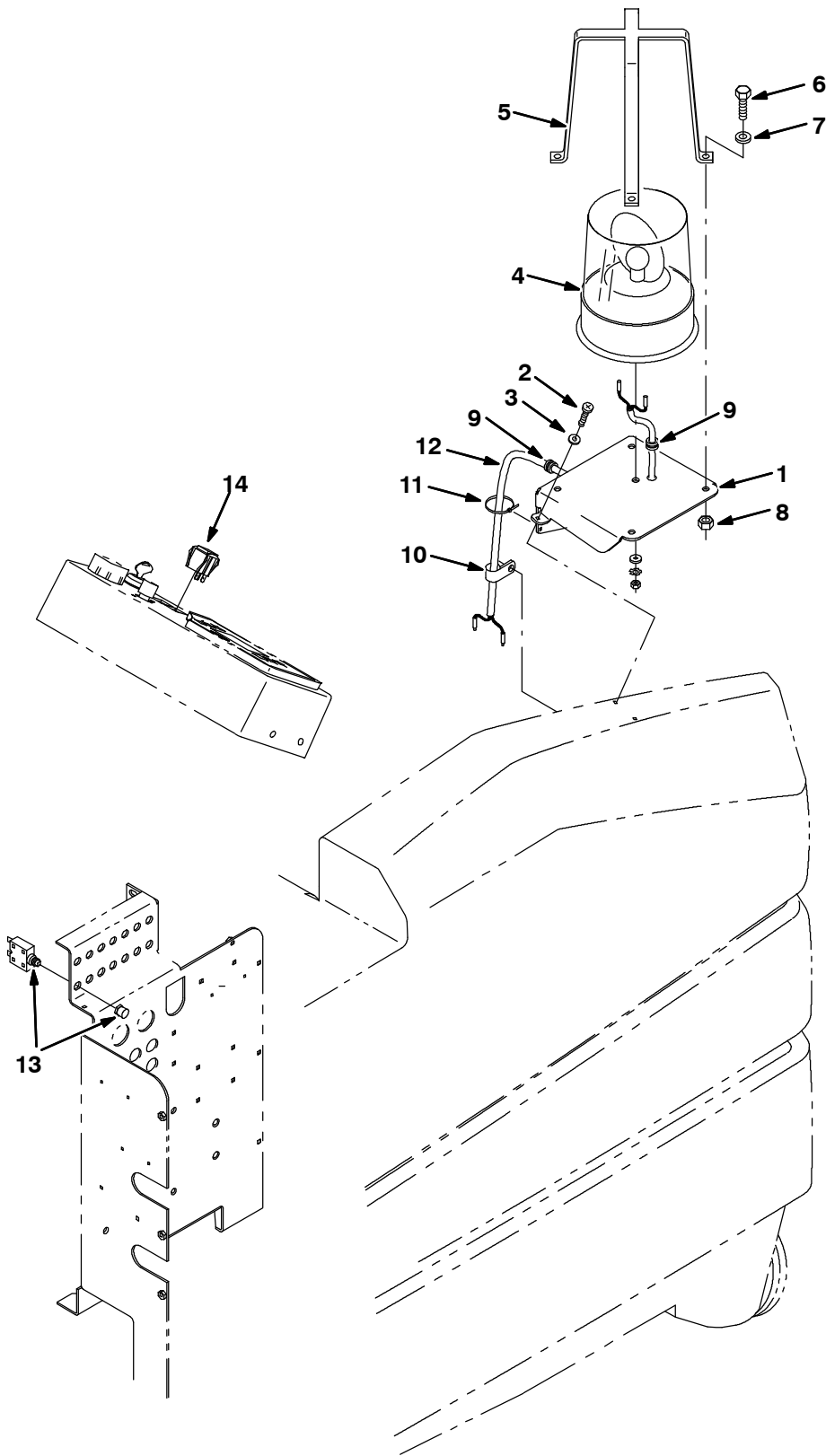


Fig. 2 - Revolving Light Kit (005000-)

	Ref.	Tennant Part No.	Machine Serial Number	Description	Qty.
▽		9006949	(005000-) Light Kit, Revl, W/O Ohg, Iron Gray, Ci	1
▲	1	1057069	(005000-) Bracket, Mtg, Iron Gray	1
▲	2	360943	(005000-) Screw, Pan, #10-14 X 0.75, F/Plstc	5
▲	3	19066	(005000-) Washer, Flt, #10	4
▲▽	4	87709	(005000-) Light, Revl, 36vdc, Amb, Rework 44684	1
▲▲		44681-1	(005000-) Lens, Amber, Light, Revl	1
▲▲		45283	(005000-) Lamp, 40vdc, 0.9a, [50cp#1062]	1
▲	5	1056464	(005000-) Guard Wldt, Light, Revl/Flsh, Iron Gray	1
▲	6	39277	(005000-) Screw, Hex, M08 X 1.25 X 25, 8.8	4
▲	7	39349	(005000-) Washer, Flt, .31 Sae	4
▲	8	07791	(005000-) Nut, Hex, Flng, M08 X 1.25	4
▲	9	10632-12	(005000-) Grommet, Rbr, 0.38id, F/ 0.5h, .12matl	2
▲	10	26395-2	(005000-) Clamp, Cable, Stl, 0.38d X 0.38w, 1h	1
▲	11	49266	(005000-) Tie, Cable, Nyl, 07.3l .19w 1.8 Max D	1
▲	12	386609	(005000-) Harness, Light, Revl, Shrd	1
▲	13	383722	(005000-) Circuitbreaker, 15.0 A	1
▲	14	360520	(005000-) Switch, Rocker	1
		44681	(005000-) Lens, Rev. Light, Red	1
		44681-2	(005000-) Lens, Rev. Light, Blue	1

Fig. 3 - Revolving Light Kit, Overhead Guard (000000-0049999)

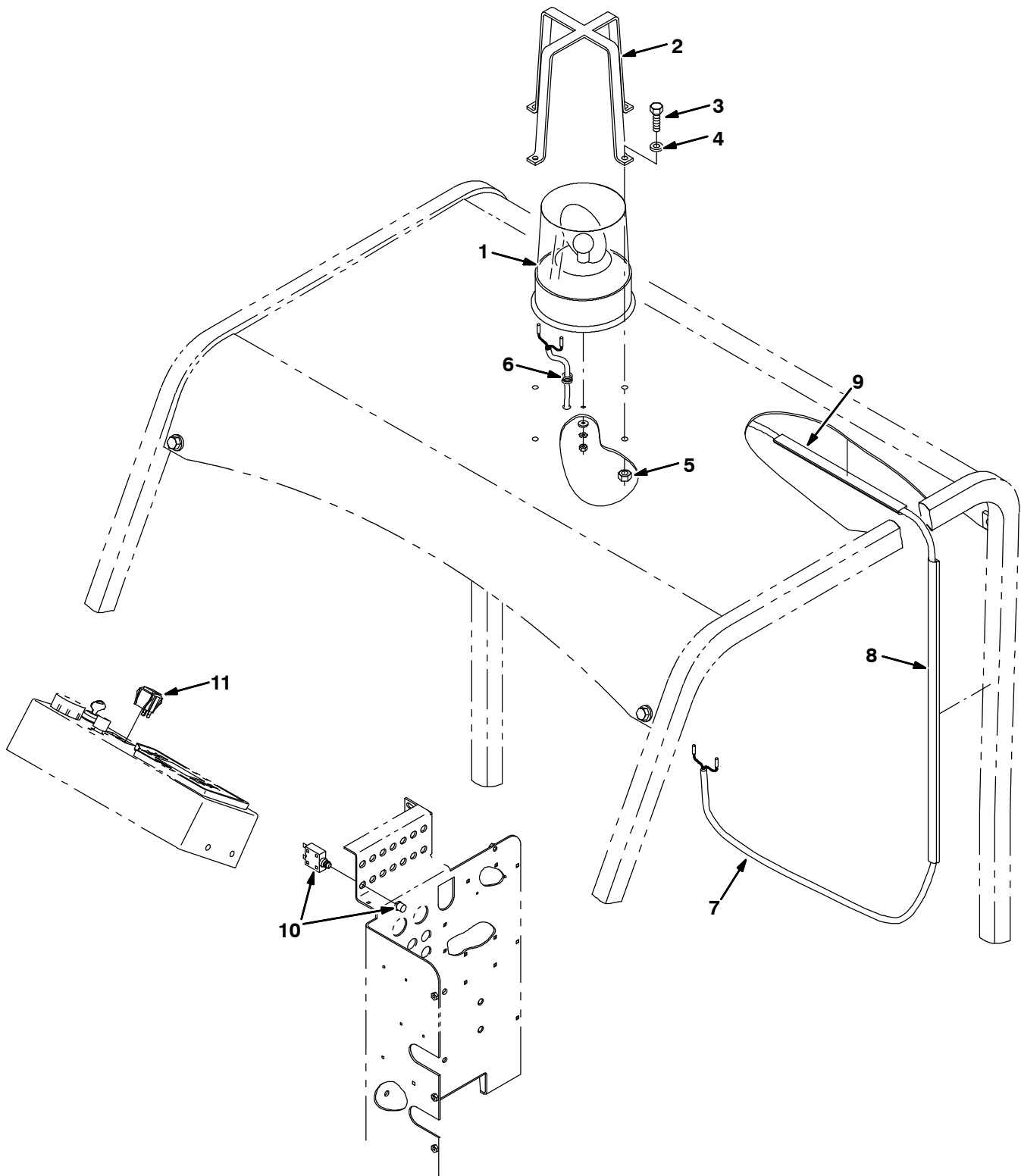


Fig. 3 - Revolving Light Kit, Overhead Guard (000000-004999)

	Ref.	Tennant Part No.	Machine Serial Number	Description	Qty.
▽		387300	(000000-004999)	Light Kit, Revl, W/ Ohg, Ci [7300/8300]	1
▲▽	1	87709	(000000-004999)	Light, Revl, 36vdc, Amb, Rework 44684	1
▲▲		44681-1	(000000-004999)	Lens, Amber, Light, Revl	1
▲▲		45283	(000000-004999)	Lamp, 40vdc, 0.9a, [50cp#1062]	1
▲	2	45272	(000000-004999)	Guard Wldt, Light, Revl/Flsh	1
▲	3	39277	(000000-004999)	Screw, Hex, M08 X 1.25 X 25, 8.8	4
▲	4	39349	(000000-004999)	Washer, Flt, .31 Sae	4
▲	5	07791	(000000-004999)	Nut, Hex, Flng, M08 X 1.25	4
▲	6	10632-12	(000000-004999)	Grommet, Rbr, 0.38id, F/ 0.5h, .12matl	1
▲	7	386605	(000000-004999)	Harness, Warning Light, Alarm	1
▲	8	365032	(000000-004999)	Duct, Vyl, 0.40 X 0.75 .25d 48.0l	1
▲	9	365033	(000000-004999)	Duct, Vyl, 0.40 X 0.75 .25d 23.0l	1
▲	10	383722	(000000-004999)	Circuitbreaker, 15.0 A	1
▲	11	360520	(000000-004999)	Switch, Rocker	1
		44681	(000000-004999)	Lens, Rev. Light, Red	1
		44681-2	(000000-004999)	Lens, Rev. Light, Blue	1

Fig. 4 - Revolving Light Kit, Overhead Guard (005000-)

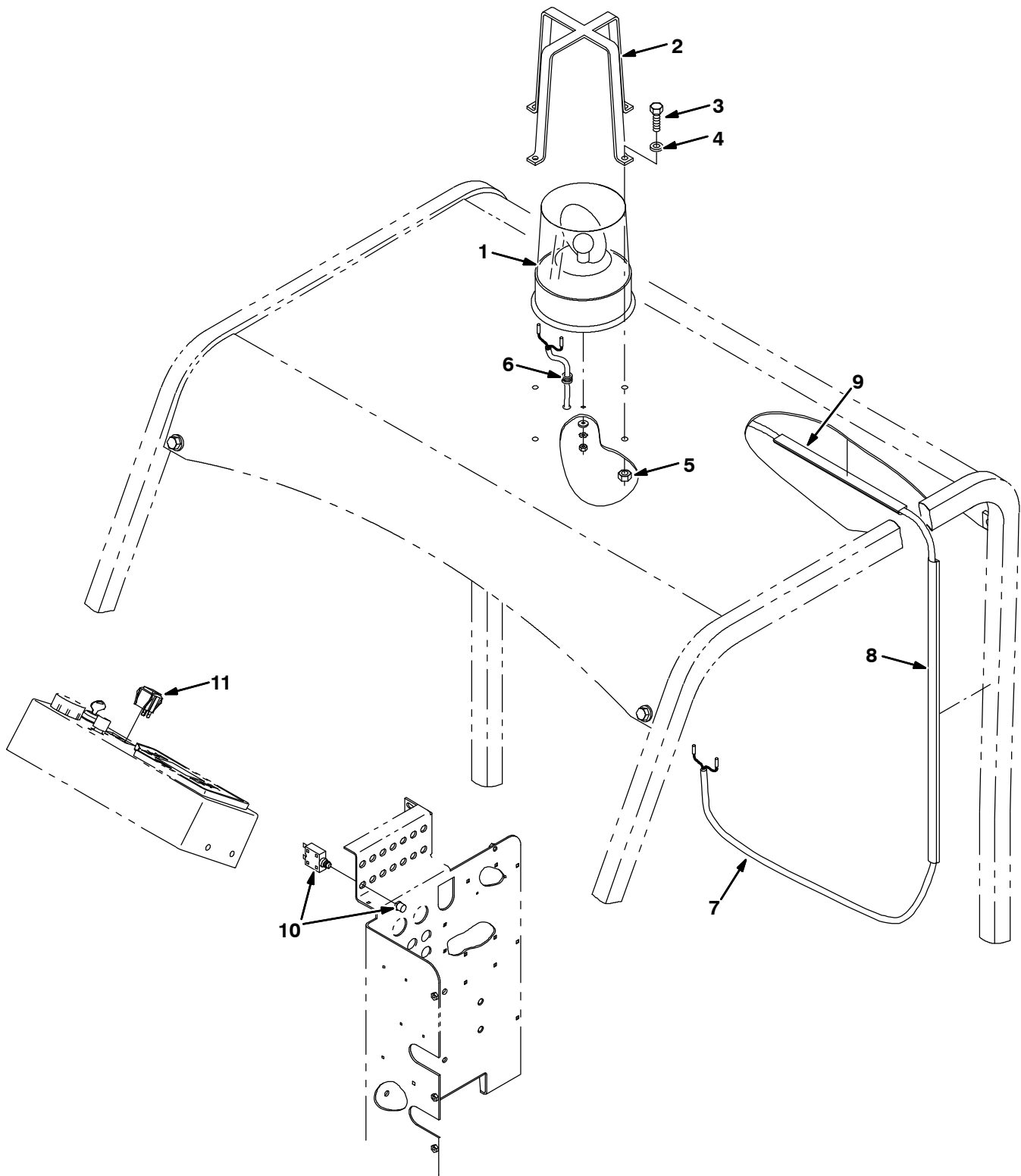


Fig. 4 - Revolving Light Kit, Overhead Guard (005000-)

	Ref.	Tennant Part No.	Machine Serial Number	Description	Qty.
▽		9006948	(005000-) Kit, Cl, Light, Revl W/ Ohg	1
▲▽	1	87709	(005000-) Light, Revl, 36vdc, Amb, Rework 44684	1
▲▲		44681-1	(005000-) Lens, Amber, Light, Revl	1
▲▲		45283	(005000-) Lamp, 40vdc, 0.9a, [50cp#1062]	1
▲	2	1056464	(005000-) Guard Wldt, Light, Revl/Flsh	1
▲	3	39277	(005000-) Screw, Hex, M08 X 1.25 X 25, 8.8	4
▲	4	39349	(005000-) Washer, Flt, .31 Sae	4
▲	5	07791	(005000-) Nut, Hex, Flng, M08 X 1.25	4
▲	6	10632-12	(005000-) Grommet, Rbr, 0.38id, F/ 0.5h, .12matl	1
▲	7	386605	(005000-) Harness, Warning Light, Alarm	1
▲	8	365032	(005000-) Duct, Vyl, 0.40 X 0.75 .25d 48.0l	1
▲	9	365033	(005000-) Duct, Vyl, 0.40 X 0.75 .25d 23.0l	1
▲	10	383722	(005000-) Circuitbreaker, 15.0 A	1
▲	11	360520	(005000-) Switch, Rocker	1
		44681	(005000-) Lens, Rev. Light, Red	1
		44681-2	(005000-) Lens, Rev. Light, Blue	1

Fig. 5 - Backup Alarm Kit (000000-004999)

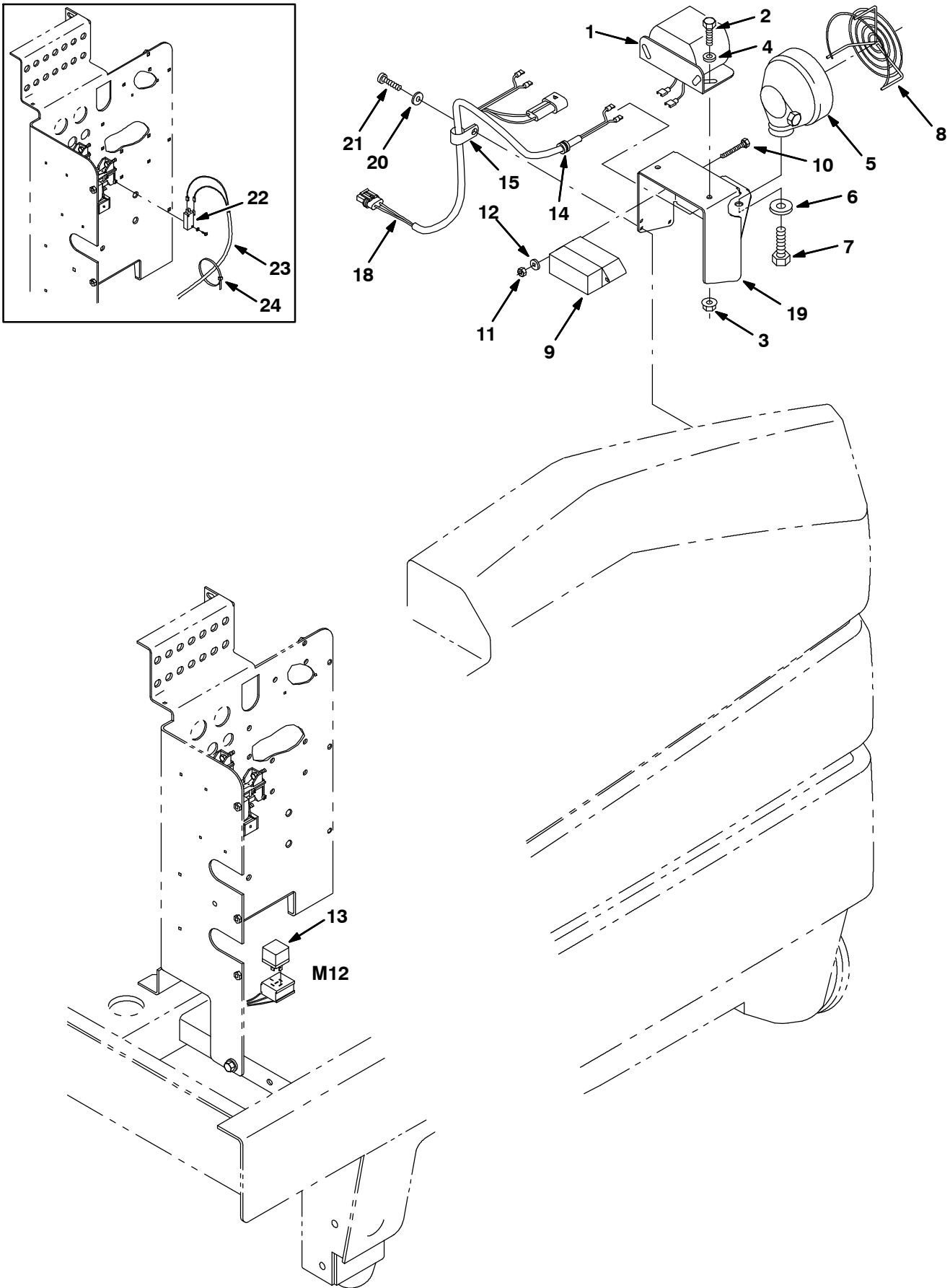


Fig. 5 - Backup Alarm Kit (000000-004999)

Ref.	Tennant Part No.	Machine Serial Number	Description	Qty.
▽	387208	(000000-004999)	Kit, Cl, Alarm, Backup, 36Vdc	1
▲	1 72171	(000000-004999)	Alarm Assy, Backup, 12-48vdc 82-102dba	1
▲	2 06943	(000000-004999)	Screw, Hex, M06 X 1.0 X 20, 8.8	2
▲	3 07790	(000000-004999)	Nut, Hex, Flng, M06 X 1.0	2
▲	4 19066	(000000-004999)	Washer, Flt, #10	2
▲▽	5 72172	(000000-004999)	Light, Spot, 36vdc, 60w Rework 72173	1
▲▲	45391	(000000-004999)	Headlight, 36Vdc, 60 Watt 1.7A	1
▲	6 32486	(000000-004999)	Washer, Flt, .50 Sae	1
▲	7 39807	(000000-004999)	Screw, Hex, .50-13 X 0.75, 5	1
▲	8 72174	(000000-004999)	Guard, Light	1
▲	9 72164	(000000-004999)	Flasher, 12/48vdc 5a #6309/12-48vdc	1
▲	10 06949	(000000-004999)	Screw, Hex, M06 X 1.0 X 50, 8.8	2
▲	11 08708	(000000-004999)	Nut, Hex, Lock, M06 X 1.0, NI	2
▲	12 32483	(000000-004999)	Washer, Flt, .25 Sae	2
▲	13 398526	(000000-004999)	Relay, 36vdc, 5a, Spdt, [Greenwich]	1
▲	14 10632-12	(000000-004999)	Grommet, Rbr, 0.38id, F/ 0.5h, .12matl	1
▲	15 26395-2	(000000-004999)	Clamp, Cable, Stl, 0.38d X 0.38w, 1h	1
▲	16 32980	(000000-004999)	Washer, Lock, Int, #10	2
▲	17 38622	(000000-004999)	Spring	1
▲	18 386606	(000000-004999)	Harness, Backup Alarm, Shrd	1
▲	19 387158	(000000-004999)	Bracket, Mtg	1
▲	20 19066	(000000-004999)	Washer, Flt, #10	5
▲	21 360943	(000000-004999)	Screw, Pan, #10-14 X 0.75, F/Plstc	6
▲	22 28622	(000000-001705)	Kit, Switch, Micro	1
▲	23 387344	(000000-001705)	Harness, Wire, Jumper, Reverse Switch	1
▲	24 49266	(000000-001705)	Tie, Cable, Nyl, 07.3l .19w 1.8 Max D	4

Fig. 6 - Backup Alarm Kit (005000-)

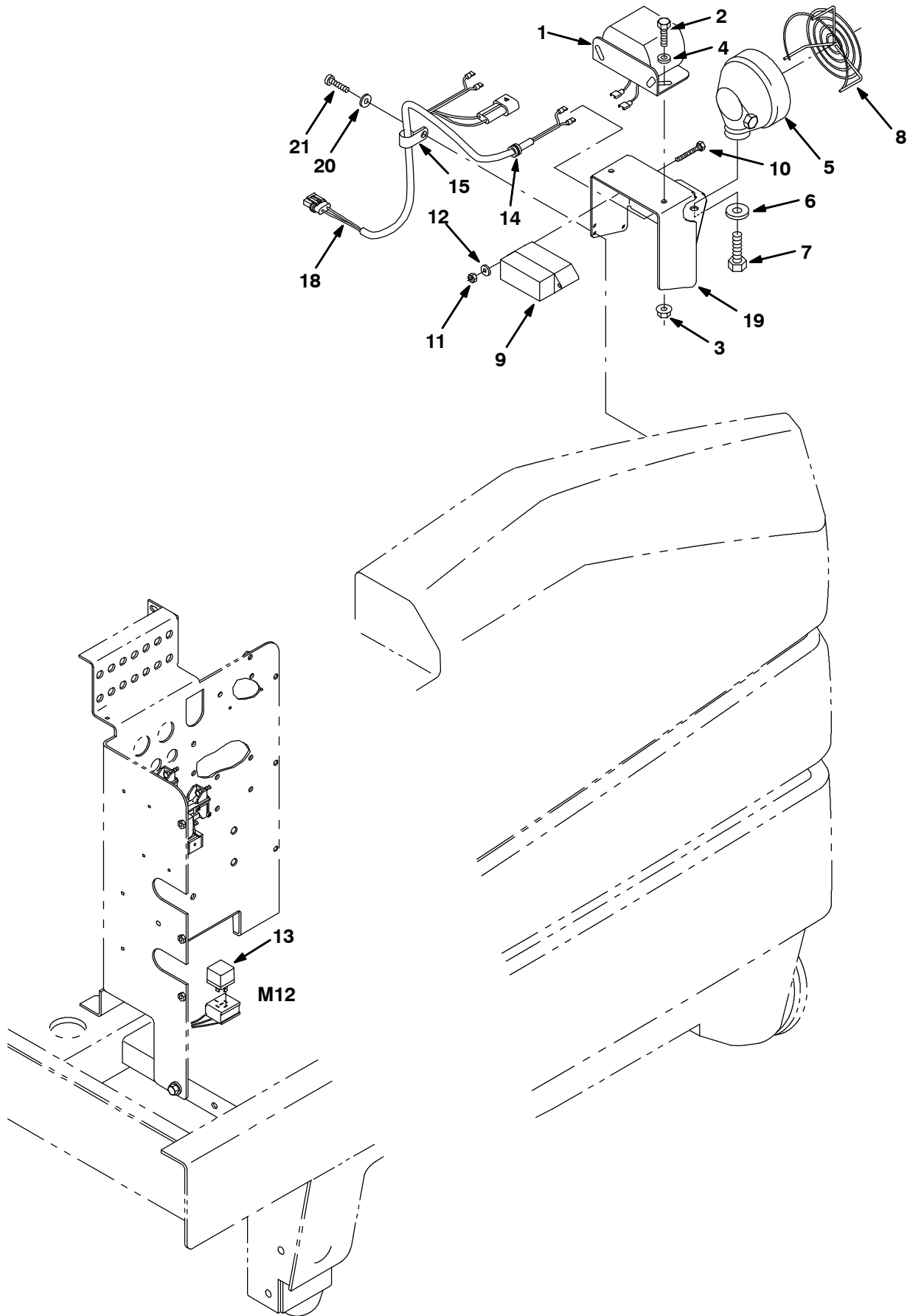
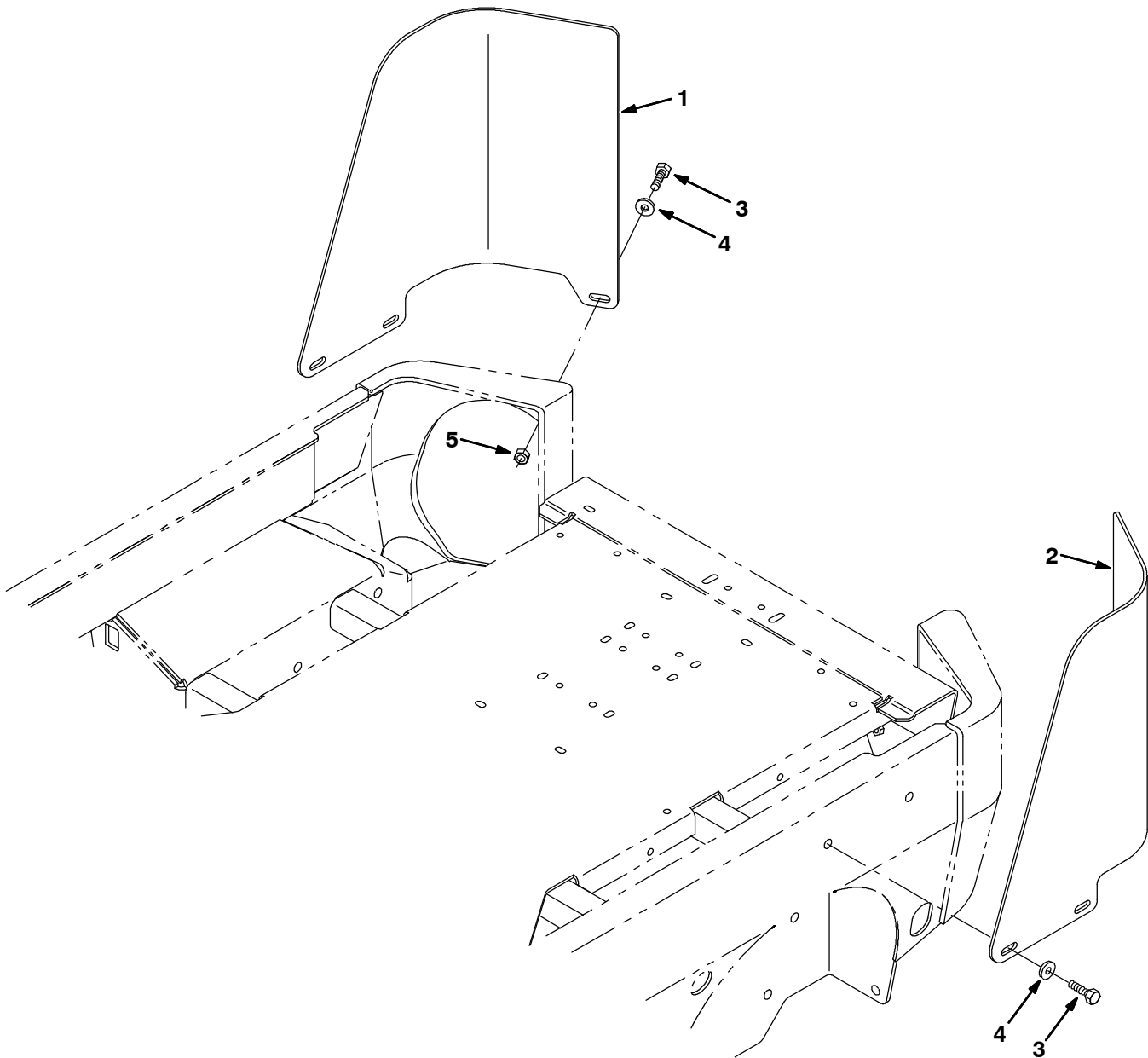


Fig. 6 - Backup Alarm Kit (005000-)

Ref.	Tennant Part No.	Machine Serial Number	Description	Qty.
▽	9006947	(005000-) Alarm Kit, Backup / A/V, Iron Gray, Ci	1
▲	1 72171	(005000-) Alarm Assy, Backup, 12-48vdc 82-102dba	1
▲	2 06943	(005000-) Screw, Hex, M06 X 1.0 X 20, 8.8	2
▲	3 07790	(005000-) Nut, Hex, Flng, M06 X 1.0	2
▲	4 19066	(005000-) Washer, Flt, #10	2
▲▽	5 72172	(005000-) Light, Spot, 36vdc, 60w Rework 72173	1
▲▲	45391	(005000-) Headlight, 36Vdc, 60 Watt 1.7A	1
▲	6 32486	(005000-) Washer, Flt, .50 Sae	1
▲	7 39807	(005000-) Screw, Hex, .50-13 X 0.75, 5	1
▲	8 72174	(005000-) Guard, Light	1
▲	9 72164	(005000-) Flasher, 12/48vdc 5a #6309/12-48vdc	1
▲	10 06949	(005000-) Screw, Hex, M06 X 1.0 X 50, 8.8	2
▲	11 08708	(005000-) Nut, Hex, Lock, M06 X 1.0, NI	2
▲	12 32483	(005000-) Washer, Flt, .25 Sae	2
▲	13 398526	(005000-) Relay, 36vdc, 5a, Spdt, [Greenwich]	1
▲	14 10632-12	(005000-) Grommet, Rbr, 0.38id, F/ 0.5h, .12matl	1
▲	15 26395-2	(005000-) Clamp, Cable, Stl, 0.38d X 0.38w, 1h	1
▲	16 32980	(005000-) Washer, Lock, Int, #10	2
▲	17 38622	(005000-) Spring	1
▲	18 386606	(005000-) Harness, Backup Alarm, Shrd	1
▲	19 1056480	(005000-) Bracket, Mtg, Iron Gray	1
▲	20 19066	(005000-) Washer, Flt, #10	5
▲	21 360943	(005000-) Screw, Pan, #10-14 X 0.75, F/Plstc	6

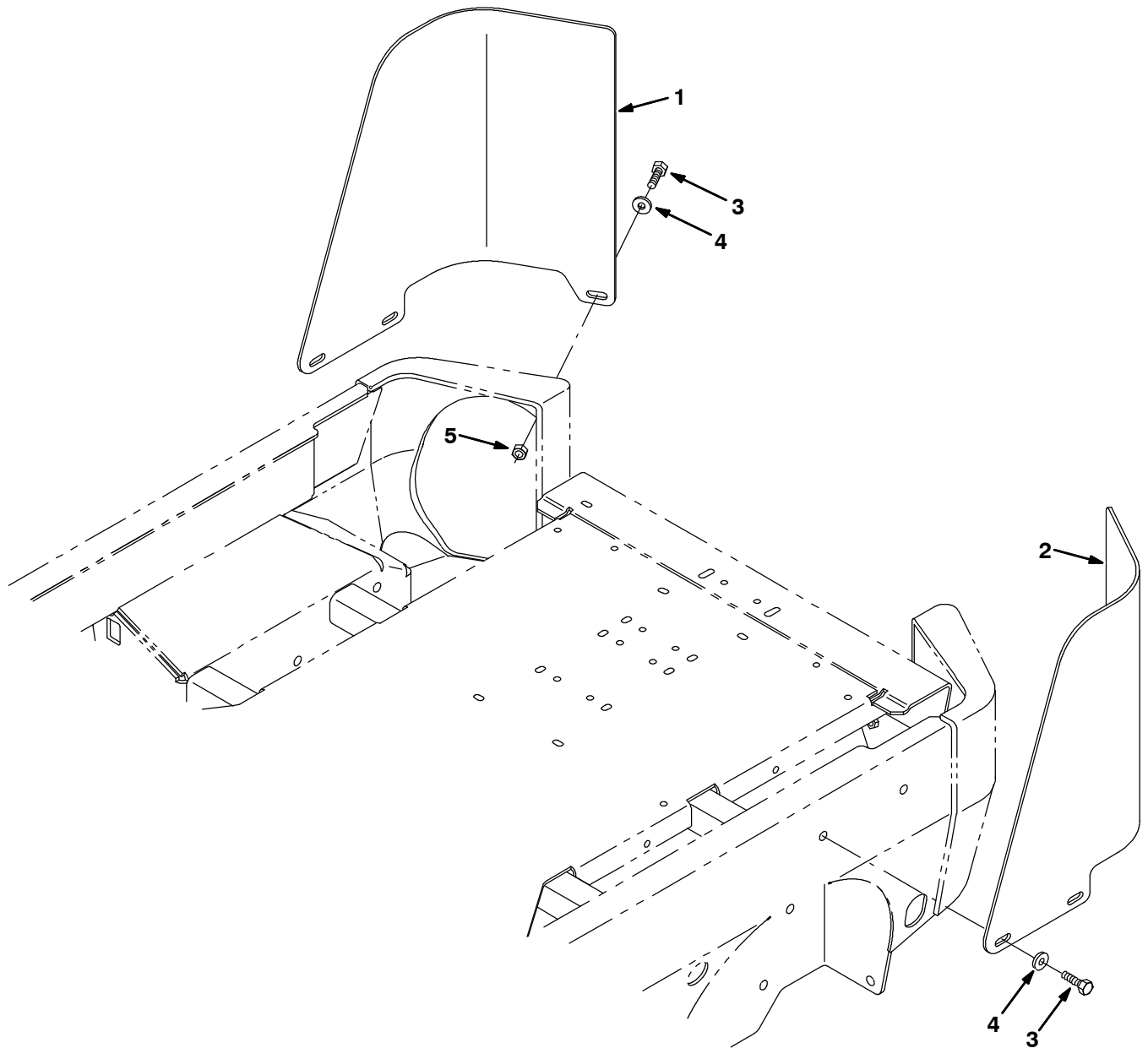
Fig. 7 - Rear Bumper Kit (000000-004999)



353353

Ref.	Tennant Part No.	Machine Serial Number	Description	Qty.
▽	386417	(000000-004999)	Kit, Ci, Bumper, Rear	1
▲	1 386415	(000000-004999)	Bumper, Rear, Rh	1
▲	2 386416	(000000-004999)	Bumper, Rear, Lh	1
▲	3 09028	(000000-004999)	Screw, Hex, M10 X 1.5 X 25, Ss	6
▲	4 01686	(000000-004999)	Washer, Flt, .38 Ss	6
▲	5 08714	(000000-004999)	Nut, Hex, Lock, M10 X 1.5, NI, Ss	2

Fig. 8 - Rear Bumper Kit (005000-)



353353

Ref.	Tennant Part No.	Machine Serial Number	Description	Qty.
▽	9006925	(005000-)	Kit, Ci, Bumper, Rear	1
▲	1 1056473	(005000-)	Bumper, Rear, Rh, Iron Gray	1
▲	2 1056474	(005000-)	Bumper, Rear, Lh, Iron Gray	1
▲	3 09028	(005000-)	Screw, Hex, M10 X 1.5 X 25, Ss	6
▲	4 01686	(005000-)	Washer, Flt, .38 Ss	6
▲	5 08714	(005000-)	Nut, Hex, Lock, M10 X 1.5, NI, Ss	2

Fig. 9 - Overhead Guard Kit (000000-004999)

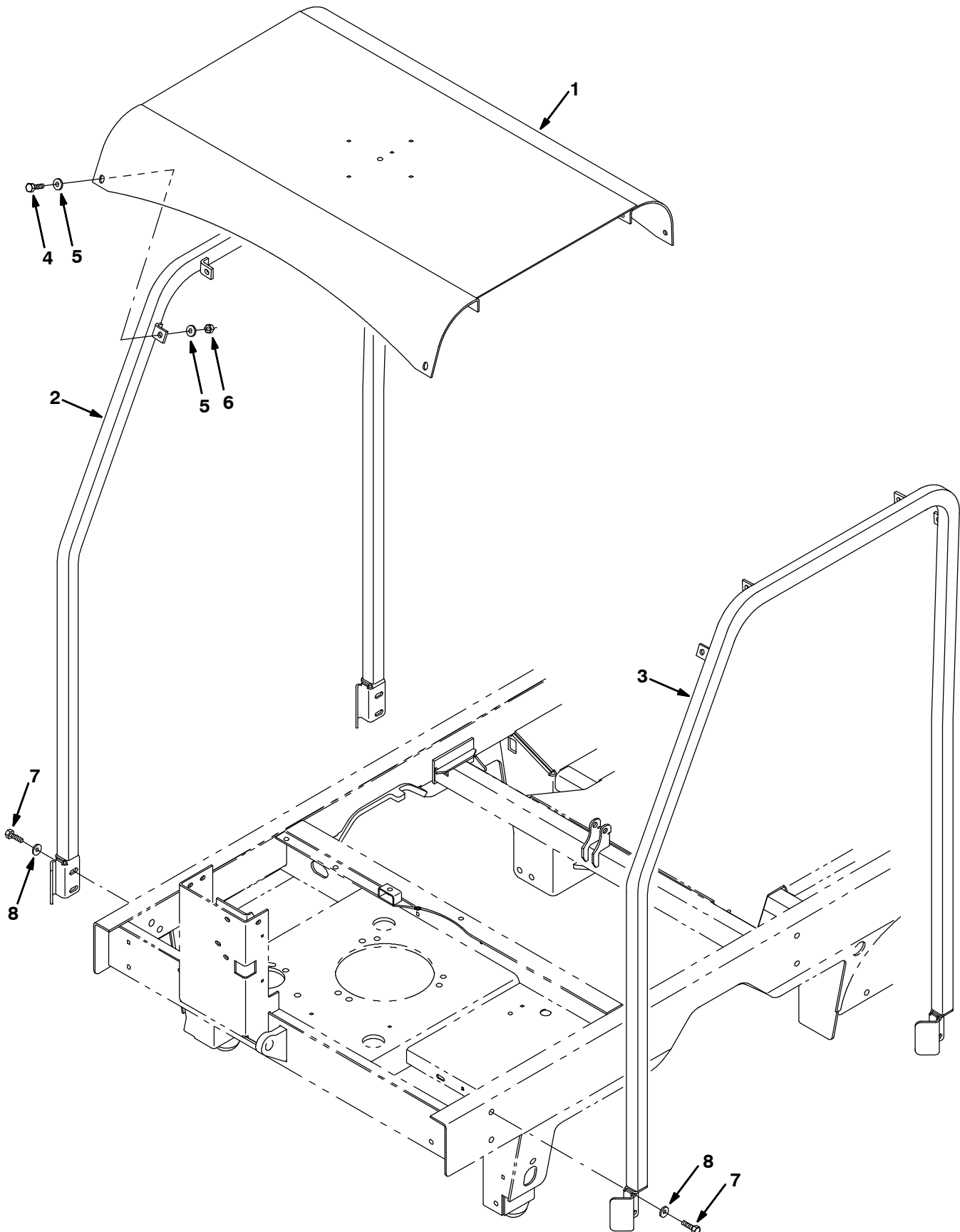


Fig. 9 - Overhead Guard Kit (000000-004999)

	Tennant	Machine			
Ref.	Part No.	Serial Number	Description		Qty.
▽	386875	(000000-004999)	Kit, Ci, Ohg, [7300/8300]		1
▲	1 386642	(000000-004999)	Guard Wldt, Oprtr, Top		1
▲	2 386983	(000000-004999)	Tube, Guard, Oprtr, Pnt, Rh		1
▲	3 386984	(000000-004999)	Tube, Guard, Oprtr, Pnt, Lh		1
▲	4 06961	(000000-004999)	Screw, Hex, M10 X 1.5 X 20, 8.8		8
▲	5 32492	(000000-004999)	Washer, Flt, .38 Std		16
▲	6 41430	(000000-004999)	Nut, Hex, Lock, M10 X 1.5, NI		8
▲	7 09028	(000000-004999)	Screw, Hex, M10 X 1.5 X 25, Ss		8
▲	8 01686	(000000-004999)	Washer, Flt, .38 Ss		8

Fig. 10 - Overhead Guard Kit (005000-)

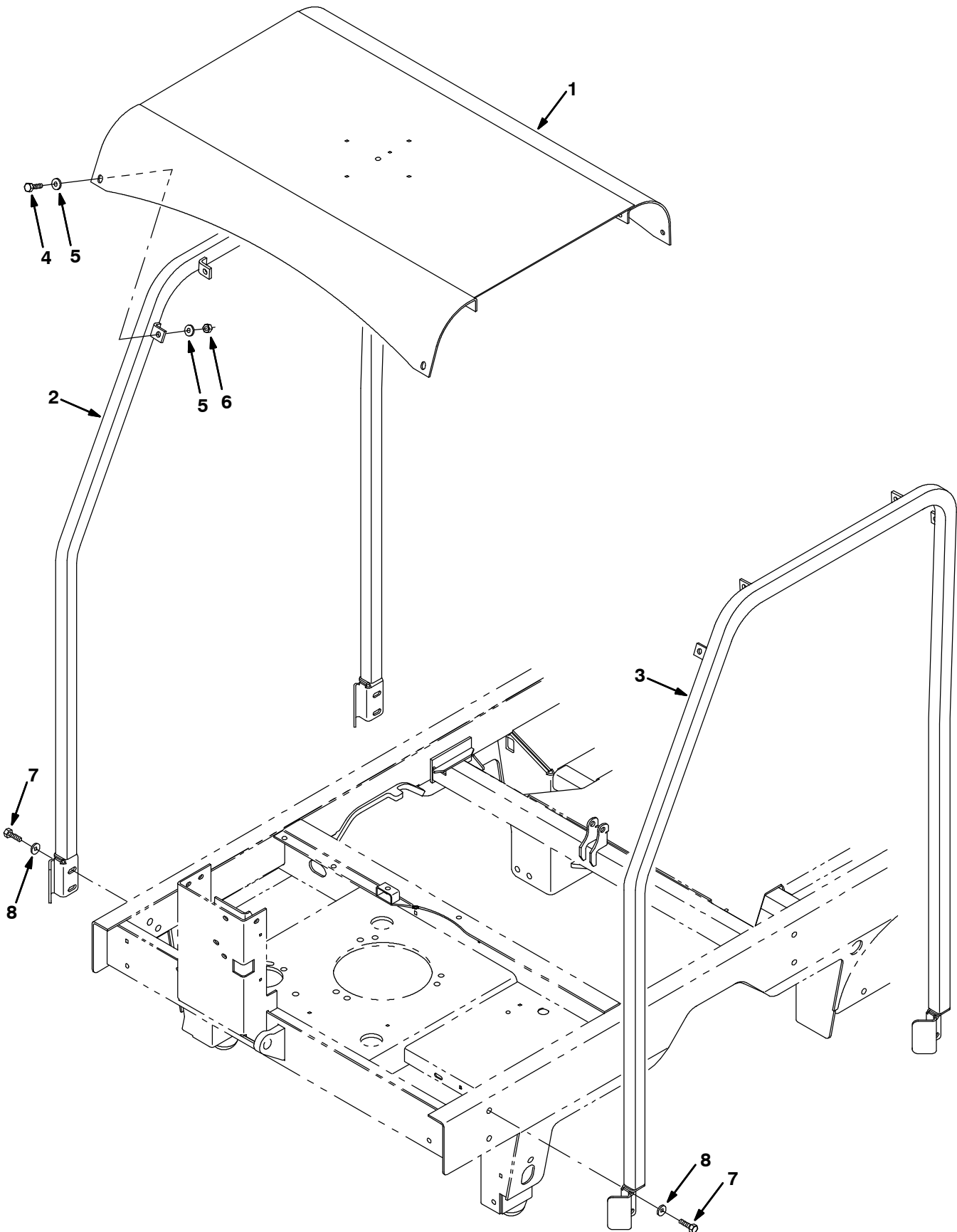


Fig. 10 - Overhead Guard Kit (005000-)

	Tennant Ref.	Part No.	Machine Serial Number	Description	Qty.
▽		9006935	(005000-) Ohg Kit, Iron Gray, Ci [7300/8300]	1
▲	1	1056476	(005000-) Guard Wldt, Oprtr, Top, Iron Gray	1
▲	2	1056673	(005000-) Tube, Ohg, Oprtr, Rh, Pntd, Iron Gray	1
▲	3	1056674	(005000-) Tube, Ohg, Oprtr, Lh, Pntd, Iron Gray	1
▲	4	06961	(005000-) Screw, Hex, M10 X 1.5 X 20, 8.8	8
▲	5	32492	(005000-) Washer, Flt, .38 Std	16
▲	6	41430	(005000-) Nut, Hex, Lock, M10 X 1.5, NI	8
▲	7	09028	(005000-) Screw, Hex, M10 X 1.5 X 25, Ss	8
▲	8	01686	(005000-) Washer, Flt, .38 Ss	8

Fig. 11 - Seat Belt Kit

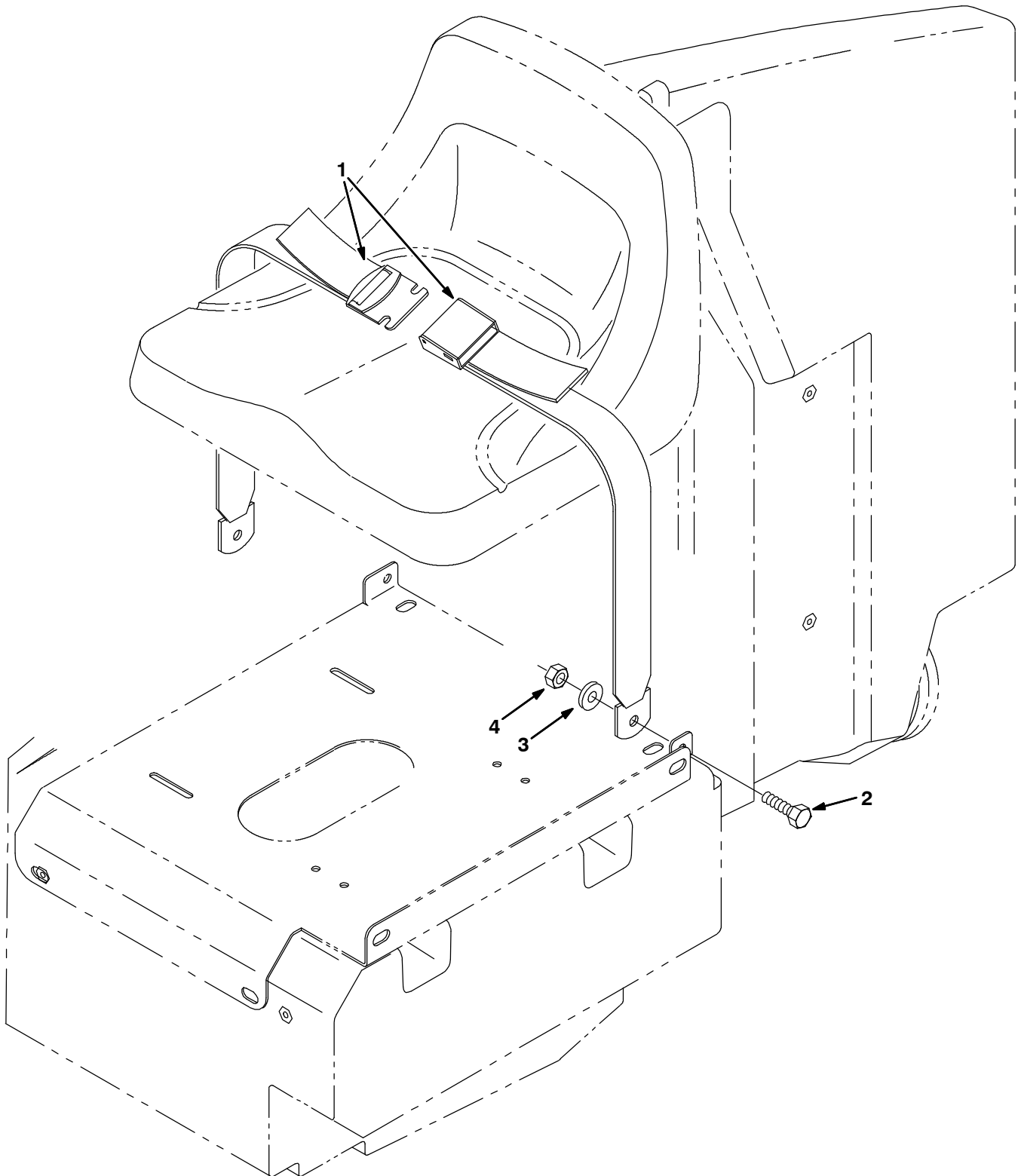


Fig. 11 - Seat Belt Kit

	Ref.	Tennant Part No.	Machine Serial Number	Description	Qty.
▽		386958	(000000-) Kit, Ci, Seatbelt	1
▲	1	30533	(000000-) Seatbelt	1
▲	2	06961	(000000-) Screw, Hex, M10 X 1.5 X 20, 8.8	2
▲	3	32493	(000000-) Washer, Flt, .50 Std	2
▲	4	41430	(000000-) Nut, Hex, Lock, M10 X 1.5, NI	2

Fig. 12 - Suspension Seat Kit

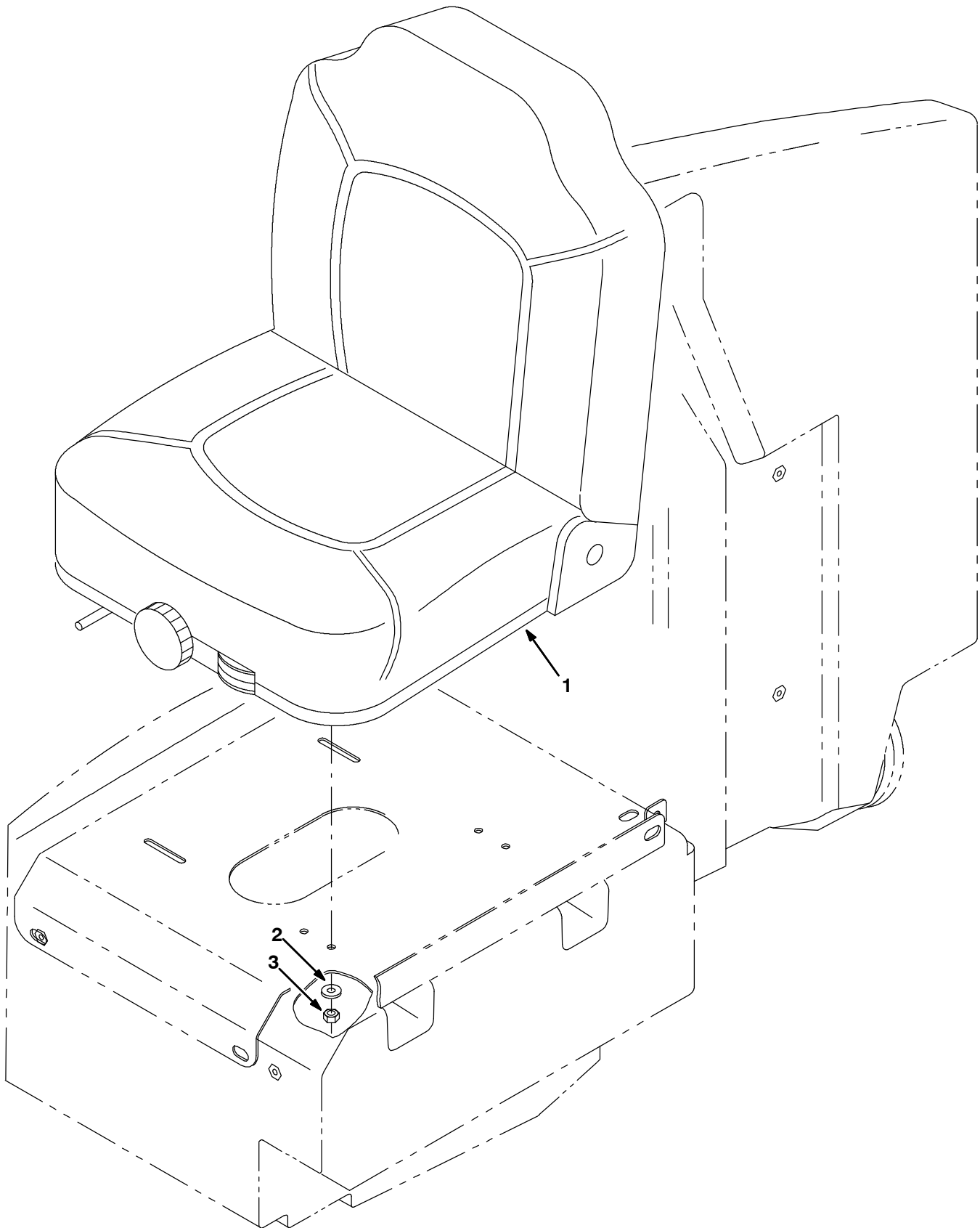


Fig. 12 - Suspension Seat Kit

	Ref.	Tennant Part No.	Machine Serial Number	Description	Qty.
▽		386963	(000000-) Kit, Ci, Seat, Suspension	1
▲	1	223595	(000000-) Seat, Suspension	1
▲	2	32491	(000000-) Washer, Flt, .31 Std	4
▲	3	32983	(000000-) Nut, Hex, Lock, .31-18, NI	4

Fig. 13 - Power Steering Group

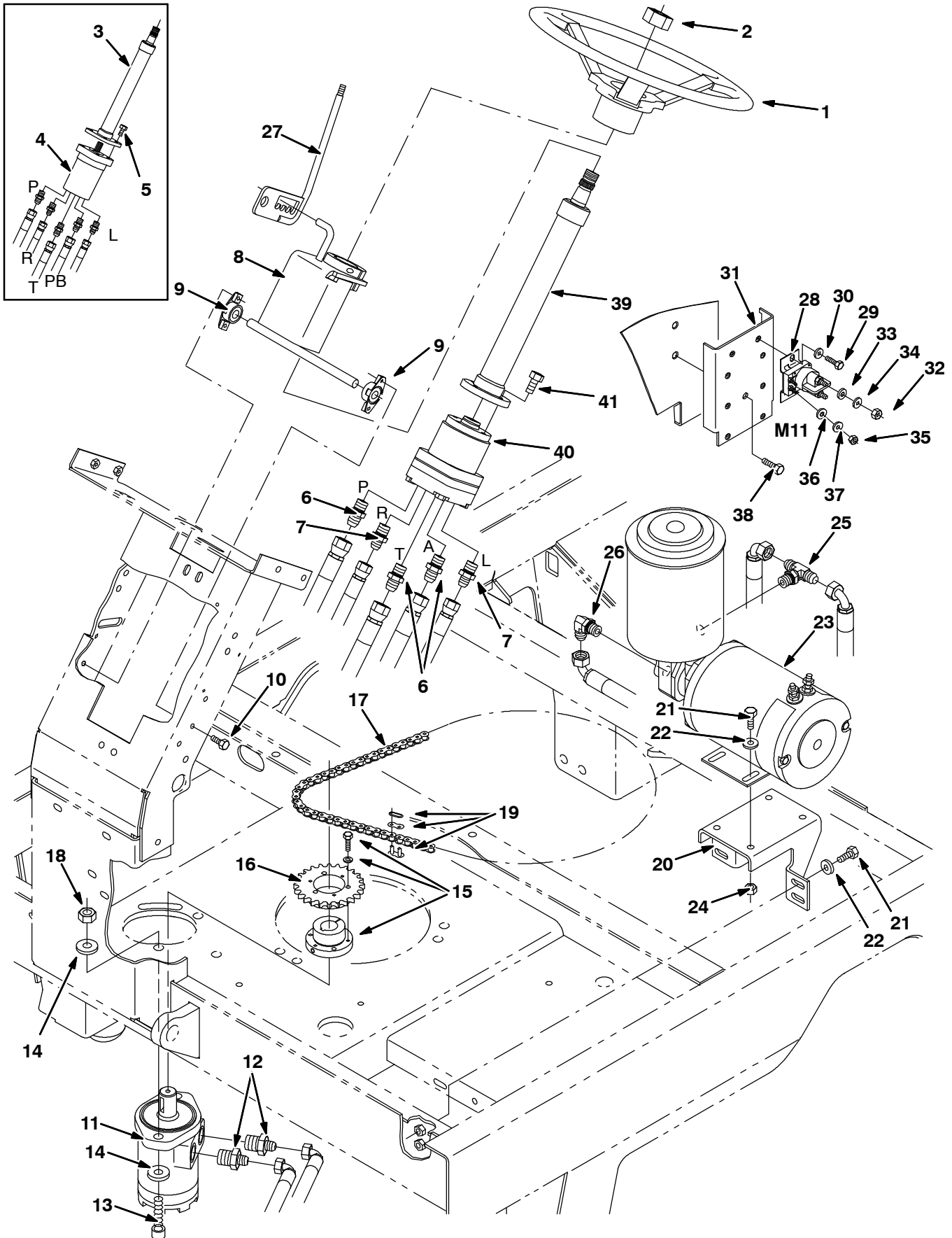
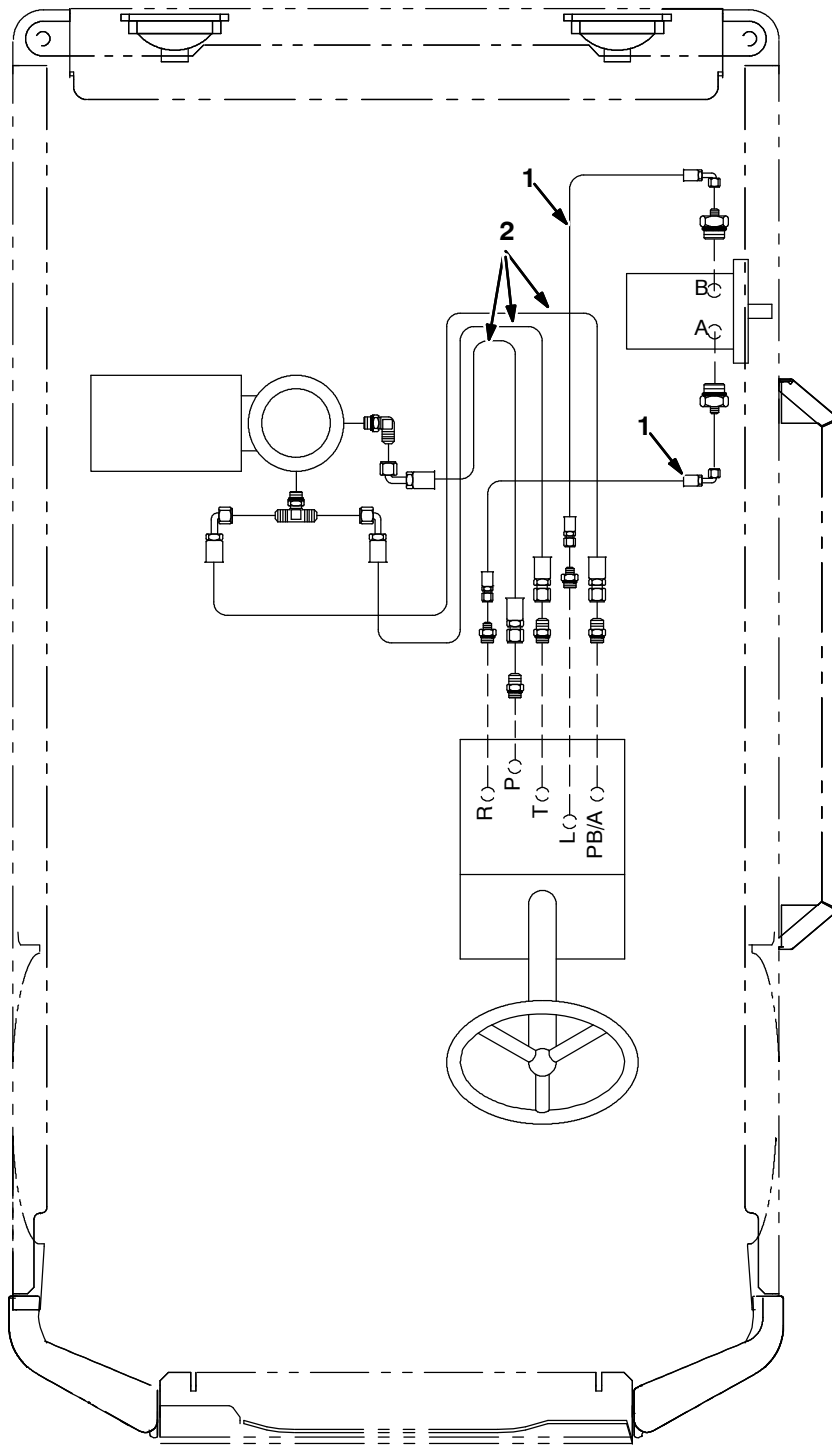


Fig. 13 - Power Steering Group

Ref.	Tennant Part No.	Machine Serial Number	Description	Qty.	
1	56398	(000000-) Wheel, Steering, 14.0d, Taper Bore	1	
2	56185	(000000-) Nut, Hex, Jam, M20 X 1.5	1	
▽	3	386702	(000000-001837) Column, Steering (Replaced by 387653)	1	
▲	74142	(000000-001837)	Cap, Tube	1	
▽	4	386701	(000000-001837) Steer-Control, Hyd (Replaced by 387653)	1	
▲	373424	(000000-001837)	Kit, Seal, Scu	1	
5	06960	(000000-001837)	Screw, Hex, M10 X 1.5 X 16, 8.8	3	
6	56690	(000000-) Fitting, Hyd, Str, Jm06/Om06	3	
7	55685	(000000-) Fitting, Hyd, Str, Jm04/Om06	2	
8	1056854	(000000-) Bracket Wldt, Steering, Tilt, Iron Gray	1	
9	70709	(000000-) Bushing Assy, Flng, 2 Hole, 0.50b	2	
10	06942	(000000-) Screw, Hex, M06 X 1.0 X 16, 8.8	4	
11	386703	(000000-) Motor, Hyd (See Breakdowns)	1	
12	57984	(000000-) Fitting, Hyd, Str, Jm04/Om10	2	
13	387393	(000000-) Screw, Soc, M12 X 1.75 X 45	2	
14	32486	(000000-) Washer, Flt, .50 Sae	4	
15	386215	(000000-) Bushing, Taper Lock	1	
16	386214	(000000-) Sprocket, #40 24-Tooth	1	
17	386216	(000000-) Chain, Roller, #40 X 109 Pitches	1	
18	08711	(000000-) Nut, Hex, Lock, M12 X 1.75,NI	2	
19	07112	(000000-) Link, Chain, Roller, #40	1	
20	1056853	(000000-) Plate, Mtg, Hyd, Iron Gray	1	
21	16931	(000000-) Screw, Hex, M08 X 1.25 X 20, 8.8	8	
22	32491	(000000-) Washer, Flt, .31 Std	8	
23	386704	(000000-) Powerunit, Hyd, 36vdc (See Breakdowns)	1	
24	08709	(000000-) Nut, Hex, Lock, M08 X 1.25,NI	4	
25	67683	(000000-) Fitting, Hyd, Tee, Jm06/Om06/Jm06	1	
26	56820	(000000-) Fitting, Hyd, E90, Jm06/Om06	1	
27	386209	(000000-) Handle Wldt, Steering, Tilt	1	
28	386810	(000000-) Contactor, 36vdc	1	
29	06942	(000000-) Screw, Hex, M06 X 1.0 X 16, 8.8	2	
30	32483	(000000-) Washer, Flt, .25 Sae	2	
31	387452	(000000-004999)	Plate, Mtg, Contactor	1	
31	1056485	(005000-) Plate, Mtg, Contactor, Iron Gray	1	
32	01715	(000000-) Nut, Hex, Std, .31-24	2	
33	32984	(000000-) Washer, Lock, Int, .31	2	
34	39349	(000000-) Washer, Flt, .31 Sae	2	
35	01713	(000000-) Nut, Hex, Std, #10-32, 2	2	
36	07514	(000000-) Washer, Lock, Int, #10, Ss	2	
37	19066	(000000-) Washer, Flt, #10	2	
38	41342	(000000-) Screw, Hex, M08 X 1.25 X 40, 8.8	1	
▽	39	373496	(001838-) Column, Steering, #14.0L .81D 36Tooth	1
▲	74142	(001838-) Cap, Tube	1	
40	373495	(001838-) Steer-Control, Hyd (See Breakdowns)	1	
41	11329	(001838-) Screw, Hex, M6X1.0X16, Ss, NI	4	

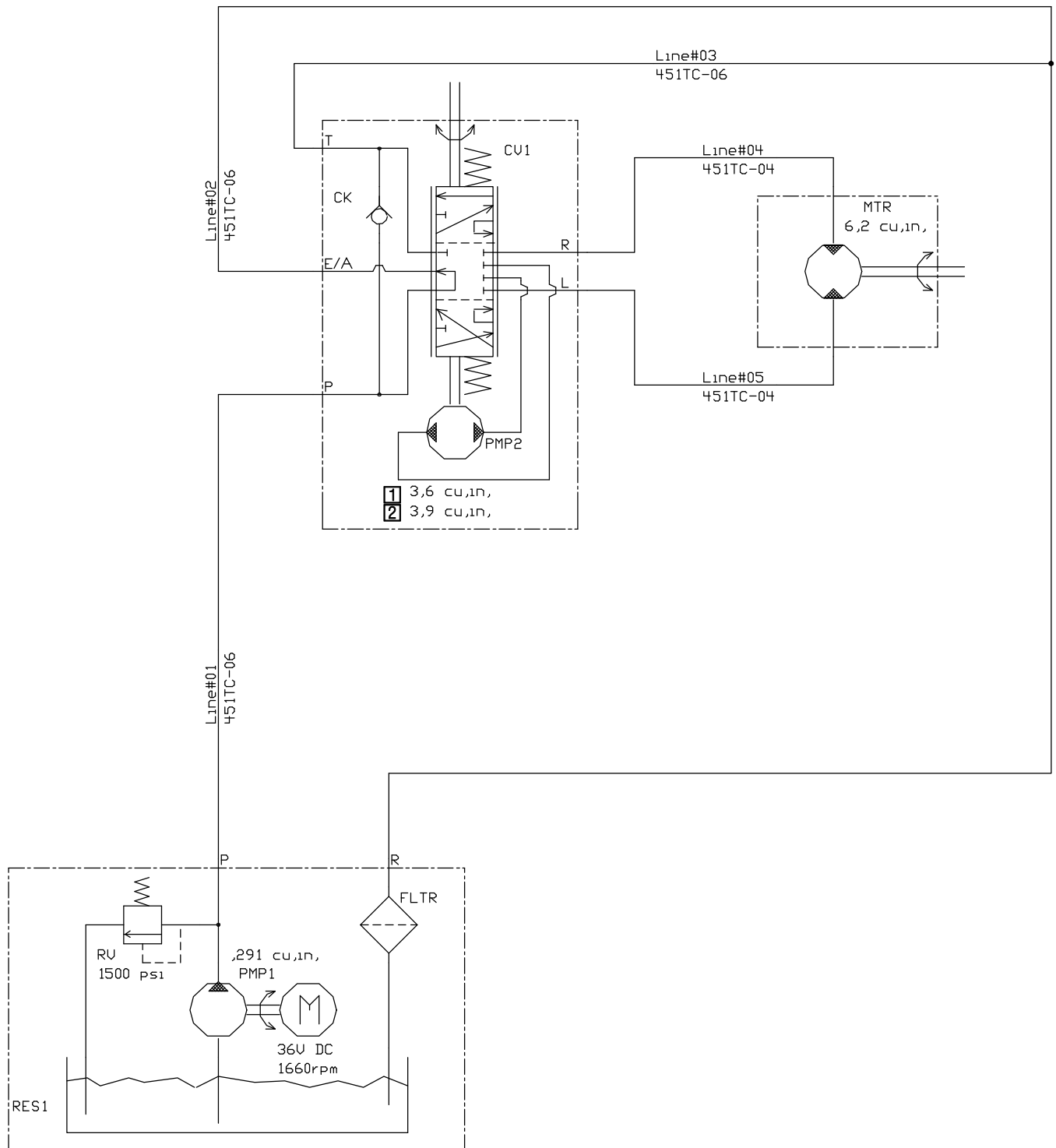
Fig. 14 - Power Steering Hydraulic Hose Group



353373 - 7300

Ref.	Tennant Part No.	Machine Serial Number	Description	Qty.
1	381867	(000000-)	Hose, Hyd,Tc 04, Jf04str /Jf04e90 , 30.0	2
2	386711	(000000-)	Hose, Hyd, Tc 06, Jf Str/E90 , 48.0l	3

Fig. 15 - Power Steering Hydraulic Schematic



353372 - 7300

- 1 Serial number (000000-001837)
- 2 Serial number (001838-)

Fig. 16 - Right Side Brush Motor And Pivot Group

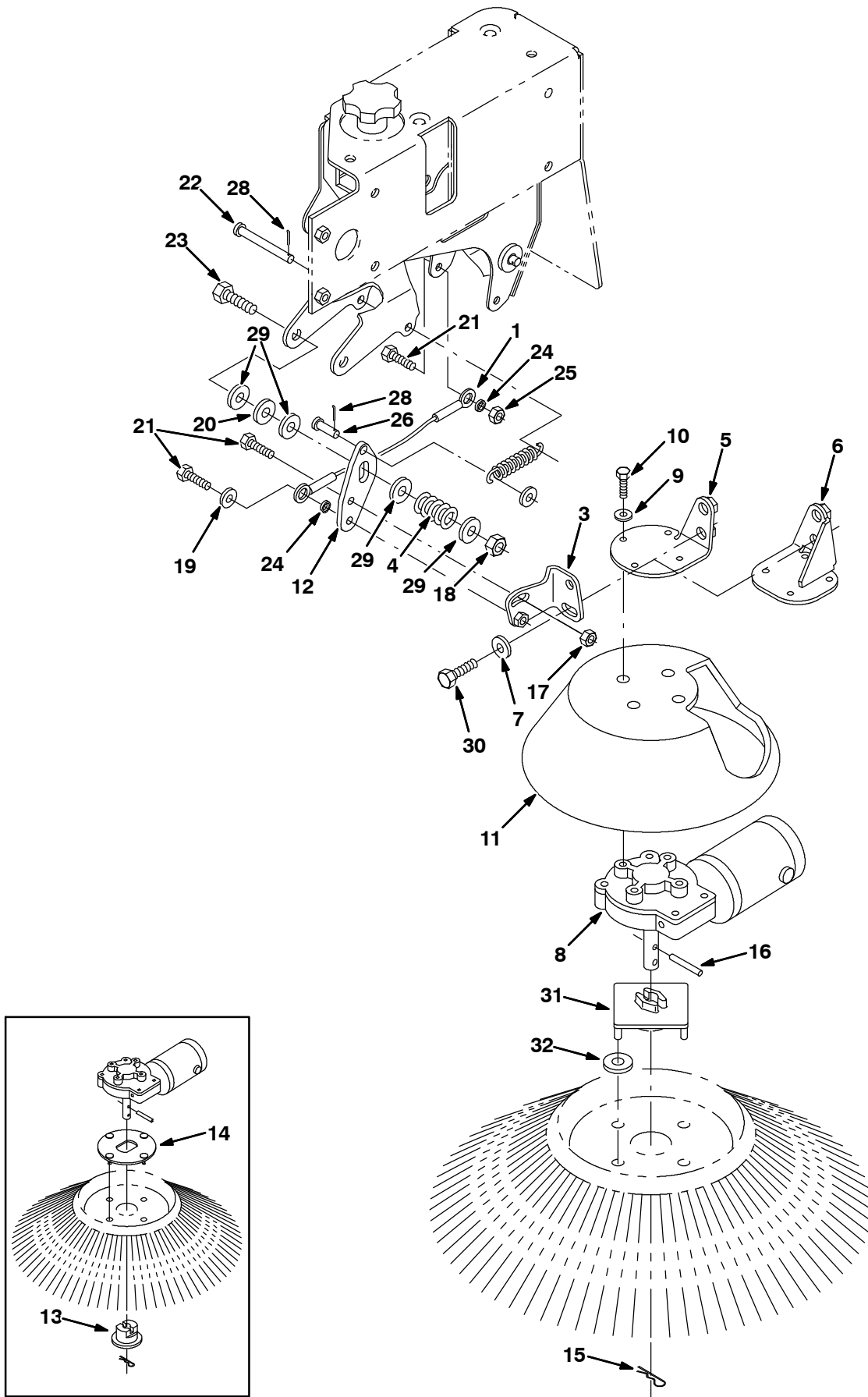


Fig. 16 - Right Side Brush Motor And Pivot Group

Ref.	Tennant Part No.	Machine Serial Number	Description	Qty.	
1	87172	(000000-) Cable, .13d, 10.0l, .51eye /.51eye	1	
2	09480	(000000-) Spring, Extn, 1.10od X 0.15wir, 3.2l	1	
3	1056891	(000000-) Bracket, Mtg, Motor, Iron Gray	2	
4	360357	(000000-) Spring, Die, 1.00od 0.50id 1.25l	2	
5	1056911	(000000-) Bracket, Mtg, Motor, Iron Gray	1	
6	387577	(000000-) Bracket, Motor, Mtg	1	
7	32492	(000000-) Washer, Flat, .38 Ss	2	
▽	8	1008274	(000000-) Motor, Ele, 36Vdc 0.08Hp 0068Rpm 04.5A	1
▲		81919	(000000-) Kit, Brush, Motor, Ele	1
▲		80127	(000000-) Cap, Brush, Motor, Ele	2
▲		369795	(000000-) Brushholder, Motor, Ele	2
▲		369796	(000000-) Clip, Motor, Ele	2
9	01684	(000000-) Washer, Flt, .25 Ss	4	
10	08716	(000000-) Screw, Hex, M06 X 1.0 X 20, Ss	4	
11	386666	(000000-) Guard, Brush, Side	1	
12	1056909	(000000-) Plate, Iron Gray	1	
13	386664	(000000-002346) Adapter, Brush	1	
14	386663	(000000-002346) Plate, Adapter, Brush	1	
15	02942	(000000-) Pin, Hair Cotter, 0.62 D .120 Wir	1	
16	11398	(000000-) Pin, Roll, .250 D X 2.00l, .250/.256	1	
17	07791	(000000-) Nut, Hex, Flng, M08 X 1.25	1	
18	08711	(000000-) Nut, Hex, Lock, M12 X 1.75, NI	1	
19	32491	(000000-) Washer, Flt, .31 Std	1	
20	86860	(000000-) Bearing, Thrust	1	
21	39277	(000000-) Screw, Hex, M08 X 1.25 X 25, 8.8	3	
22	57598	(000000-) Pin, Clevis, 0.37 D X 3.25l	1	
23	06974	(000000-) Screw, Hex, M12 X 1.75 X 80, 8.8	1	
24	360801	(000000-) Sleeve	2	
25	08709	(000000-) Nut, Hex, Lock, M08 X 1.25,NI	1	
26	04733-2	(000000-) Pin, Clevis, 0.37 D X 0.62l	1	
27	01685	(000000-) Washer, Flt, .31 Ss	1	
28	39005	(000000-) Pin, Cotter, .094 X 0.75	2	
29	32486	(000000-) Washer, Flt, .50 Sae	4	
30	39283	(000000-) Screw, Hex, M10 X 1.5 X 25, 8.8	2	
31	1017441	(002347-) Plate, Adapter, Brush	1	
32	1017802	(002347-) Washer, .625 B, 2.50 Od, .211 T, Ss	4	

Fig. 17 - Right Side Brush Lift Group

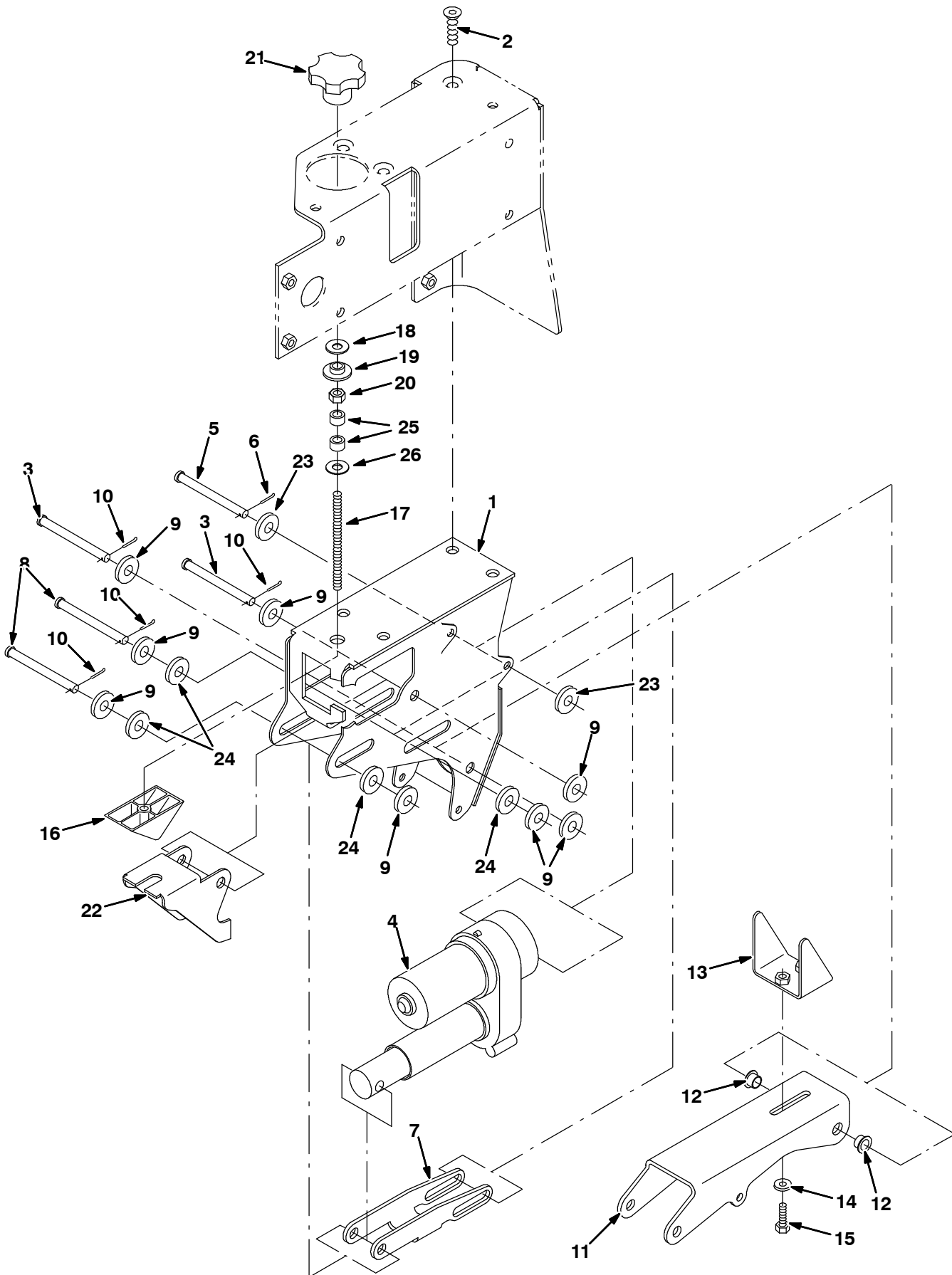


Fig. 17 - Right Side Brush Lift Group

Ref.	Tennant Part No.	Machine Serial Number	Description	Qty.
1	1056887	(000000-) Housing Wldt, Brush, Side, Iron Gray	1
2	04373	(000000-) Screw, Flt, M10 X 1.5 X 20, 10.9	3
3	222196	(000000-) Pin, Clevis, 0.50 D X 4.00l	2
4	1054296	(000000-) Actuator, 36vdc, 01.8strk, 300lb	1
5	49914	(000000-) Pin, Clevis, 0.37 D X 4.00l	1
6	39005	(000000-) Pin, Cotter, .094 X 0.75	1
7	1056888	(000000-) Bracket, Iron Gray	1
8	51528	(000000-) Pin, Clevis, 0.50 D X 4.00l	2
9	32486	(000000-) Washer, Flt, .50 Std	8
10	08182	(000000-) Pin, Cotter, .125 X 1.00	4
11	1056889	(000000-) Channel, Iron Gray	1
12	15648	(000000-) Bushing, Flng, 0.50b 0.59d 0.38l	2
13	1056890	(000000-) Bracket, Iron Gray	1
14	32491	(000000-) Washer, Flt, .31 Std	2
15	16931	(000000-) Screw, Hex, M08 X 1.25 X 20, 8.8	2
16	386658	(000000-) Block, Adj	1
17	387151	(000000-) Shaft, Threaded	1
18	64489	(000000-) Washer, 0.81b 1.24d .03, Stl, Pl	1
19	363087	(000000-) Spacer, Flanged	1
20	25014	(000000-) Nut, Hex, Std, M10 X 1.25	1
21	41341	(000000-) Knob, Plastic	1
22	1056910	(000000-) Bracket, Pivot, Iron Gray	1
23	32485	(000000-) Washer, Flt, .38 Sae	2
24	07450	(000000-) Bearing, Thrust, 0.66b 1.25d 0.06w	4
25	390879	(000000-) Sleeve, P/M, 0.625d 0.406b 0.38l 430ss	2
26	32492	(000000-) Washer, Flat, 0.38 Std	1

Fig. 18 - Right Side Brush Bumper And Electrical Group

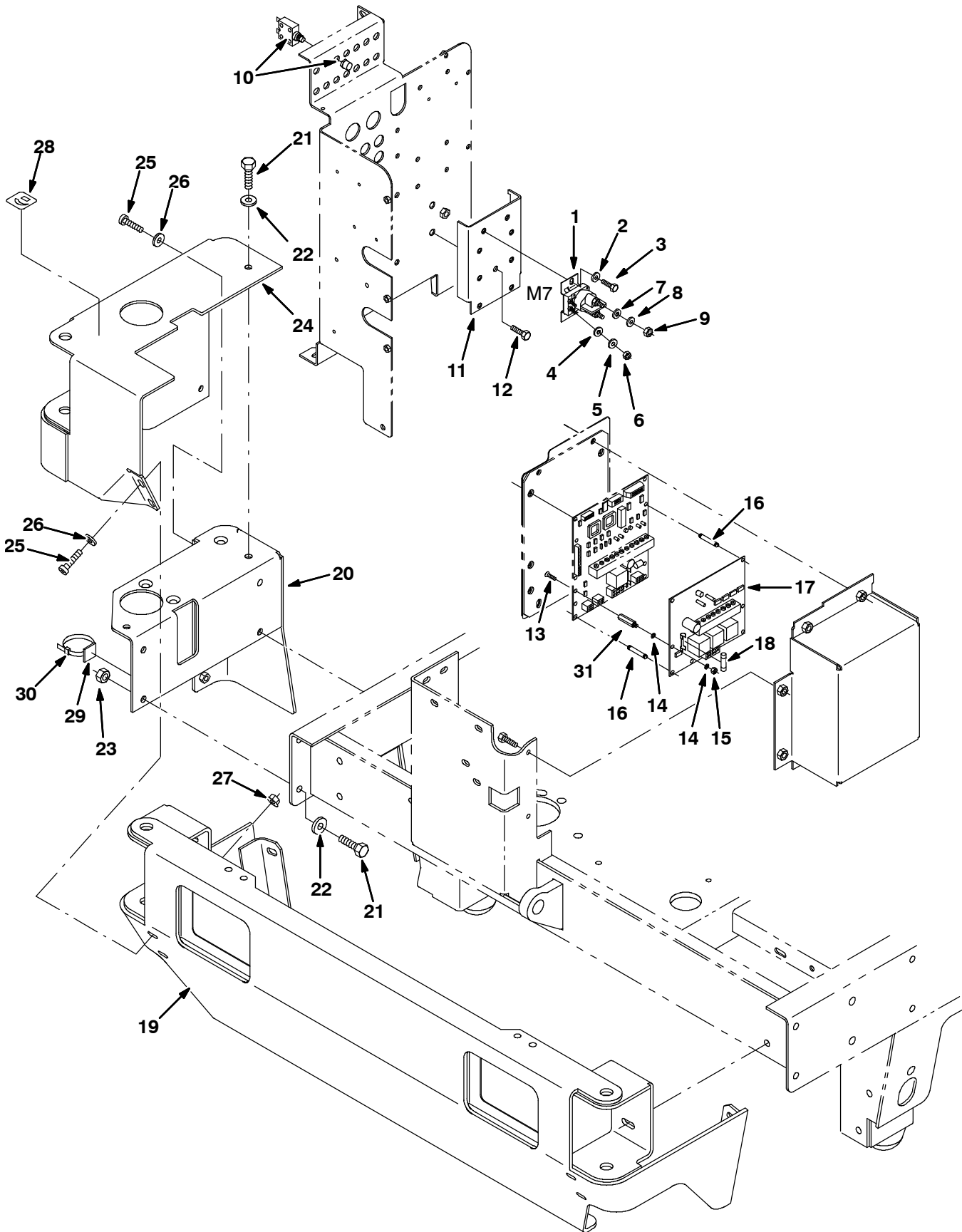


Fig. 18 - Right Side Brush Bumper And Electrical Group

Ref.	Tennant Part No.	Machine Serial Number	Description	Qty.	
1	386810	(000000-) Relay, 36vdc, 100a, Sp N/O [White]	1	
2	32483	(000000-) Washer, Flat, .25 Sae	2	
3	06942	(000000-) Screw, Hex, M06 X 1.0 X 16, 8.8	2	
4	32980	(000000-) Washer, Lock, Int, #10	2	
5	19066	(000000-) Washer, Flt, #10	2	
6	01713	(000000-) Nut, Hex, Std, #10-32, 2	2	
7	32984	(000000-) Washer, Lock, Int, .31	2	
8	39349	(000000-) Washer, Flat, .31 Sae	2	
9	01715	(000000-) Nut, Hex, Std, .31-24	2	
10	383722	(000000-) Circuitbreaker, 15.0a	2	
11	387452	(000000-004999) Plate, Mtg, Contactor	1	
11	1056485	(005000-) Plate, Mtg, Contactor, Iron Gray	1	
12	41342	(000000-) Screw, Hex, M08 X 1.25 X 40, 8.8	1	
13	25538	(000000-) Screw, Flt, #06-32 X 0.38, Al	2	
14	41401	(000000-) Washer, Lock, Int, #06, Ss	4	
15	75939	(000000-) Nut, Hex, Lock, #06-32, NI	2	
16	386307	(000000-) Stand-Off, 1.25, Plstc	5	
▽	17	386308	(000000-) Circuitboard, Sweeper, [8300]	1
▲	18	45595	(000000-) Fuse, 010A 032Vdc 0.25D	1
19	387562	(000000-004999) Bumper Wldt	1	
19	1056688	(005000-) Bumper Wldt, Iron Gray	1	
20	387531	(000000-004999) Bracket, Hsng, Brush	1	
20	1056397	(005000-) Bracket, Hsng, Brush, Iron Gray	1	
21	09028	(000000-) Screw, Hex, M10 X 1.5 X 25, Ss	5	
22	01686	(000000-) Washer, Flat, .38 Ss	5	
23	41430	(000000-) Nut, Hex, Lock, M10 X 1.5, NI	2	
24	387536	(000000-004999) Housing Wldt, Brush	1	
24	1056399	(005000-) Housing Wldt, Brush, Iron Gray	1	
25	223470	(000000-) Screw, Btn, M08 X 1.25 X 25, Ss	4	
26	01685	(000000-) Washer, Flat, .31 Ss	4	
27	07791	(000000-) Nut, Hex, Flng, M08 X 1.25	2	
28	387405	(000000-) Label, Brush, Side, Adj	1	
29	55248	(000000-) Mount, Cable Tie	1	
30	49266	(000000-) Tie, Cable, Nyl, 07.3l .19w 1.8 Max D	2	
31	386806	(000000-) Stand-Off, 1.25, Metal	2	

Fig. 19 - Left Side Brush Motor And Pivot Group

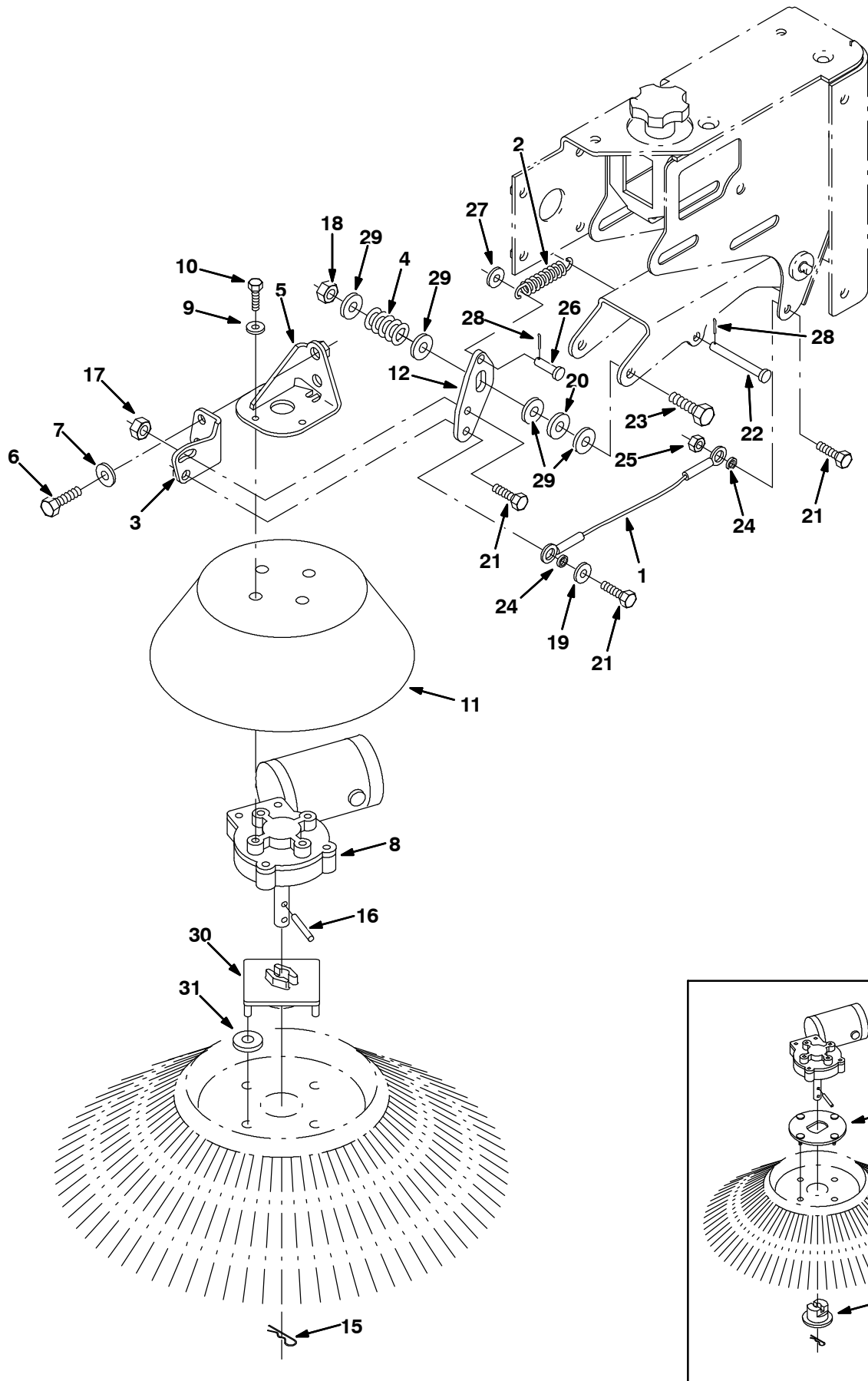


Fig. 19 - Left Side Brush Motor And Pivot Group

Ref.	Tennant Part No.	Machine Serial Number	Description	Qty.	
1	87172	(000000-) Cable, .13d, 10.0l, .51eye /.51eye	1	
2	09480	(000000-) Spring, Extn, 1.10od X 0.15wir, 3.2l	1	
3	1056894	(000000-) Bracket, Mtg, Motor, Iron Gray	2	
4	360357	(000000-) Spring, Die, 1.00od 0.50id 1.25l	2	
5	1056892	(000000-) Bracket, Mtg, Motor, Iron Gray	1	
6	39283	(000000-) Screw, Hex, M10 X 1.5 X 25, 8.8	2	
7	32492	(000000-) Washer, Flat, .38 Std	2	
▽	8	1008275	(000000-) Motor, Ele, 36Vdc 0.08Hp 0068Rpm 04.5A	1
▲		81919	(000000-) Kit, Brush, Motor, Ele	1
▲		80127	(000000-) Cap, Brush, Motor, Ele	2
▲		369795	(000000-) Brushholder, Motor, Ele	2
▲		369796	(000000-) Clip, Motor, Ele	2
9	01684	(000000-) Washer, Flt, .25 Ss	4	
10	08716	(000000-) Screw, Hex, M06 X 1.0 X 20, Ss	4	
11	386666	(000000-) Guard, Brush, Side	1	
12	1056909	(000000-) Plate, Iron Gray	1	
13	386664	(000000-002346) Adapter, Brush	1	
14	386663	(000000-002346) Plate, Adapter, Brush	1	
15	02942	(000000-) Pin, Hair Cotter, 0.62 D .120 Wir	1	
16	11398	(000000-) Pin, Roll, .250 D X 2.00l, .250/.256	1	
17	07791	(000000-) Nut, Hex, Flng, M08 X 1.25	1	
18	08711	(000000-) Nut, Hex, Lock, M12 X 1.75,NI	1	
19	32491	(000000-) Washer, Flt, .31 Std	1	
20	86860	(000000-) Bearing, Thrust	1	
21	39277	(000000-) Screw, Hex, M08 X 1.25 X 25, 8.8	3	
22	57598	(000000-) Pin, Clevis, 0.37 D X 3.25l	1	
23	06974	(000000-) Screw, Hex, M12 X 1.75 X 80, 8.8	1	
24	360801	(000000-) Sleeve	2	
25	08709	(000000-) Nut, Hex, Lock, M08 X 1.25,NI	1	
26	04733-2	(000000-) Pin, Clevis, 0.37 D X 0.62l	1	
27	01685	(000000-) Washer, Flt, .31 Ss	1	
28	39005	(000000-) Pin, Cotter, .094 X 0.75	2	
29	32486	(000000-) Washer, Flt, .50 Sae	4	
30	1017441	(002347-) Plate, Adapter, Brush	1	
31	1017802	(002347-) Washer, .625 B, 2.50 Od, .211 T, Ss	4	

Fig. 20 - Left Side Brush Lift Group

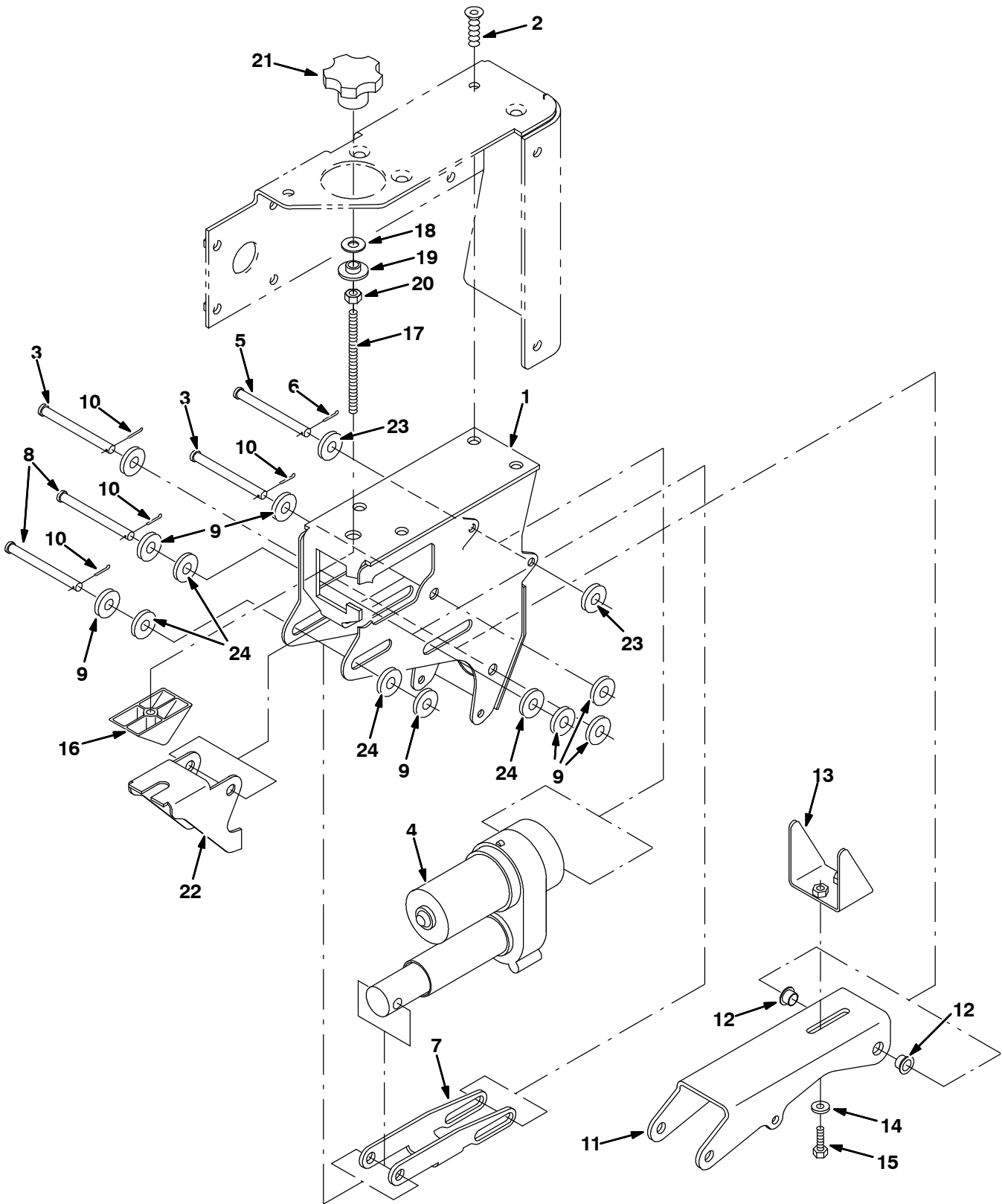


Fig. 20 - Left Side Brush Lift Group

Ref.	Tennant Part No.	Machine Serial Number	Description	Qty.
1	1056887	(000000-) Housing Wldt, Brush, Side, Iron Gray	1
2	04373	(000000-) Screw, Flt, M10 X 1.5 X 20, 10.9	3
3	222196	(000000-) Pin, Clevis, 0.50 D X 4.00l	2
4	1054296	(000000-) Actuator, 36vdc, 01.8strk, 300lb	1
5	49914	(000000-) Pin, Clevis, 0.37 D X 4.00l	1
6	39005	(000000-) Pin, Cotter, .125 X 1.00	1
7	1056888	(000000-) Bracket, Iron Gray	1
8	51528	(000000-) Pin, Clevis, 0.50 D X 4.00l	2
9	32486	(000000-) Washer, Flt, .50 Std	8
10	08182	(000000-) Pin, Cotter, .125 X 1.00	4
11	1056889	(000000-) Channel, Iron Gray	1
12	15648	(000000-) Bushing, Flng, 0.50b 0.59d 0.38l	2
13	1056890	(000000-) Bracket, Iron Gray	1
14	32491	(000000-) Washer, Flt, .31 Std	2
15	16931	(000000-) Screw, Hex, M08 X 1.25 X 20, 8.8	2
16	386658	(000000-) Block, Adj	1
17	387151	(000000-) Shaft, Threaded	1
18	64489	(000000-) Washer, 0.81b 1.24d .03, Stl, Pl	1
19	363087	(000000-) Spacer, Flanged	1
20	25014	(000000-) Nut, Hex, Std, M10 X 1.25	1
21	41341	(000000-) Knob, Plastic	1
22	386909	(000000-) Bracket, Pivot	1
23	32485	(000000-) Washer, Flt, .38 Sae	2
24	07450	(000000-) Bearing, Thrust, 0.66b 1.25d 0.06w	4

Fig. 21 - Left Side Brush Mount Group

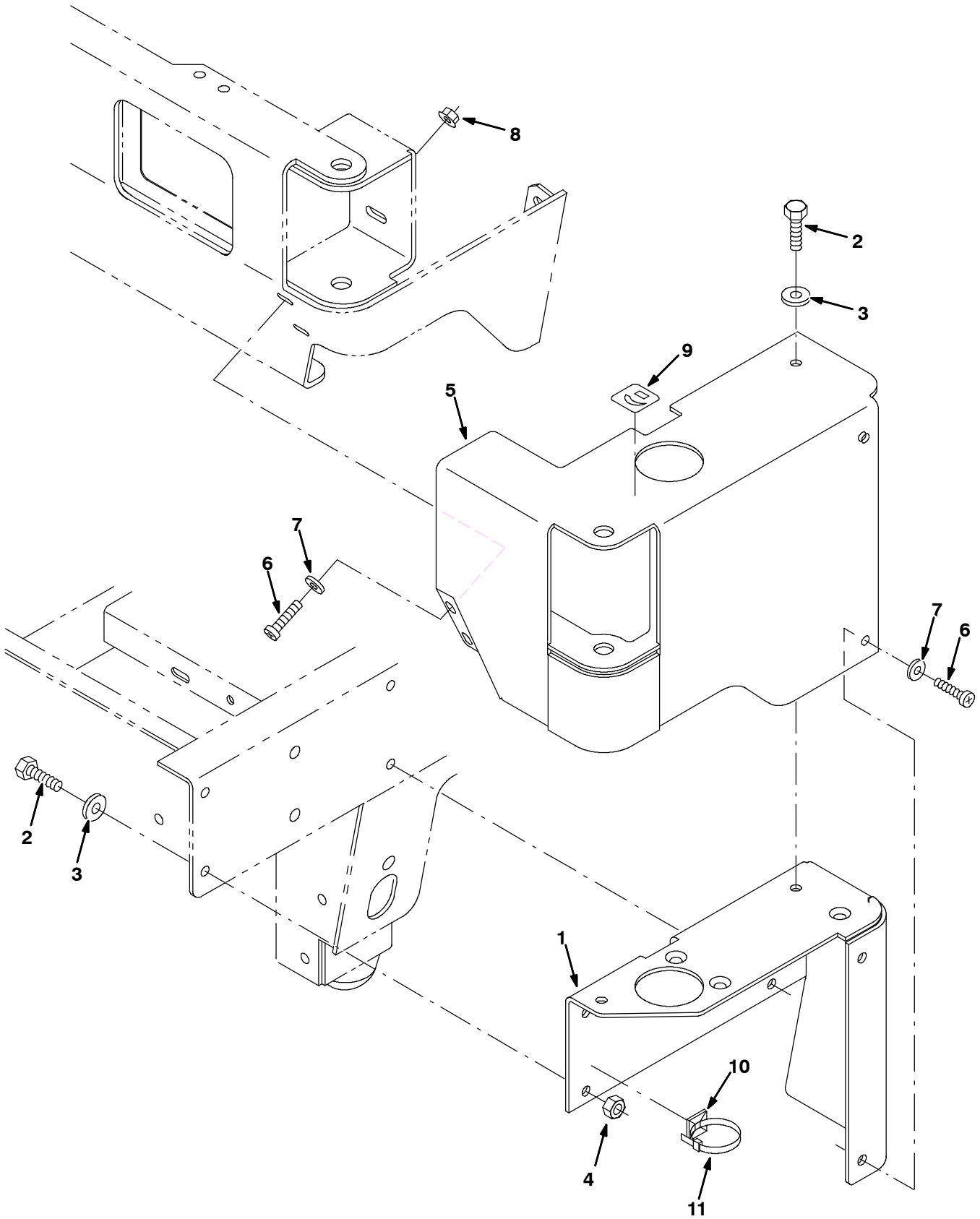


Fig. 21 - Left Side Brush Mount Group

Ref.	Tennant Part No.	Machine Serial Number	Description	Qty.
1	387560	(000000-004999)	Bracket, Hsng, Brush	1
1	1056398	(005000-	Bracket, Hsng, Brush, Iron Gray	1
2	09028	(000000-	Screw, Hex, M10 X 1.5 X 25, Ss	5
3	01686	(000000-	Washer, Flat, .38 Ss	5
4	41430	(000000-	Nut, Hex, Lock, M10 X 1.5, NI	2
5	387530	(000000-004999)	Housing Wldt, Brush	1
5	1056396	(005000-	Housing Wldt, Brush, Iron Gray	1
6	223470	(000000-	Screw, Btn, M08 X 1.25 X 25, Ss	4
7	01685	(000000-	Washer, Flat, .31 Ss	4
8	07791	(000000-	Nut, Hex, Fing, M08 X 1.25	2
9	387405	(000000-	Label, Brush, Side, Adj	1
10	55248	(000000-	Mount, Cable Tie	1
11	49266	(000000-	Tie, Cable, Nyl, 07.3l .19w 1.8 Max D	2

Fig. 22 - Max Pro 1200 (Disc-Brush) Scrub Head Frame Group

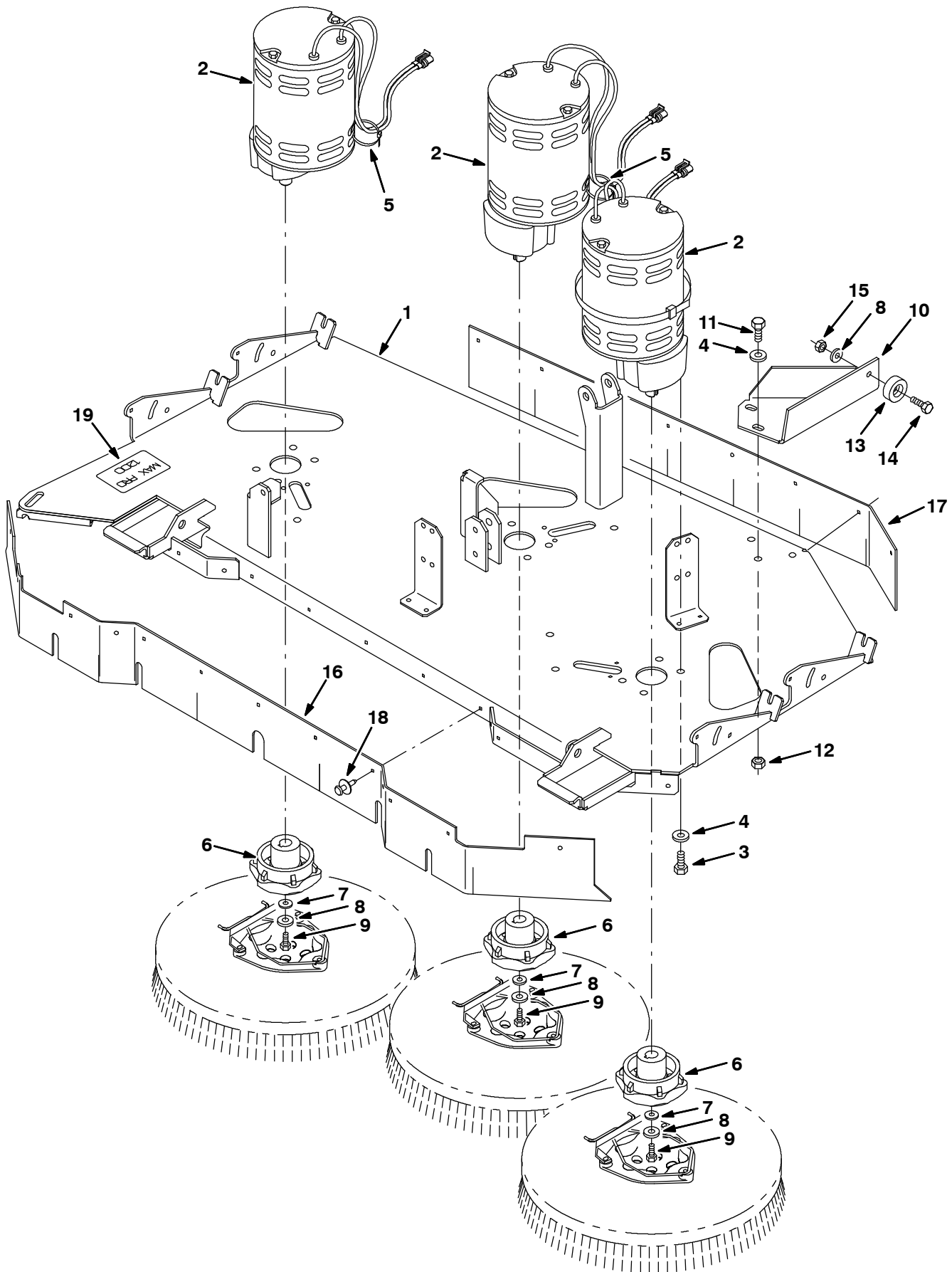


Fig. 22 - Max Pro 1200 (Disc-Brush) Scrub Head Frame Group

Ref.	Tennant Part No.	Machine Serial Number	Description	Qty.
1	1056902	(000000-) Frame Wldt, Scb Head, 3 Brush, Ele, Gray	1
2	386687	(000000-) Motor, Gear, Ele, 1.0hp, 36vdc, 300rpm (See Breakdown)	3
3	34195	(000000-) Screw, Hex, .38-16 X 1.00, NI	12
4	01686	(000000-) Washer, Flt, .38 Ss	15
5	49263	(000000-) Tie, Cable, Nyl, 11.4l .19w 3.0 Max D	3
6	377364	(000000-) Hub, Drive, Brush, Disk, 0.75B 6T	3
7	41186	(000000-) Washer, Belleville, .31	3
8	01685	(000000-) Washer, Flt, .31 Ss	4
9	32124	(000000-) Screw, Hex, .31-18 X 1.00, Ss, NI	3
10	1056841	(000000-) Bracket, Stop, Frame, Iron Gray	1
11	09028	(000000-) Screw, Hex, M10 X 1.5 X 25, Ss	3
12	08714	(000000-) Nut, Hex, Lock, M10 X 1.5, NI, Ss	3
13	15023	(000000-) Bumper, Pye	1
14	09010	(000000-) Screw, Hex, M08 X 1.25 X 25, Ss	1
15	08713	(000000-) Nut, Hex, Lock, M08 X 1.25,NI, Ss	1
16	386825	(000000-) Skirt, Front, Scrub Head, 3-Brush, Ele	1
17	386826	(000000-) Skirt, Rear, Scrub Head, 3-Brush, Ele	1
18	72968	(000000-) Rivet, Plstc, .250 X 0.898	21
19	365156	(000000-) Label Set, Info/Hzrd, [Maxpro]	1

Fig. 23 - Max Pro 1200 (Disc-Brush) Scrub Head Linkage Group

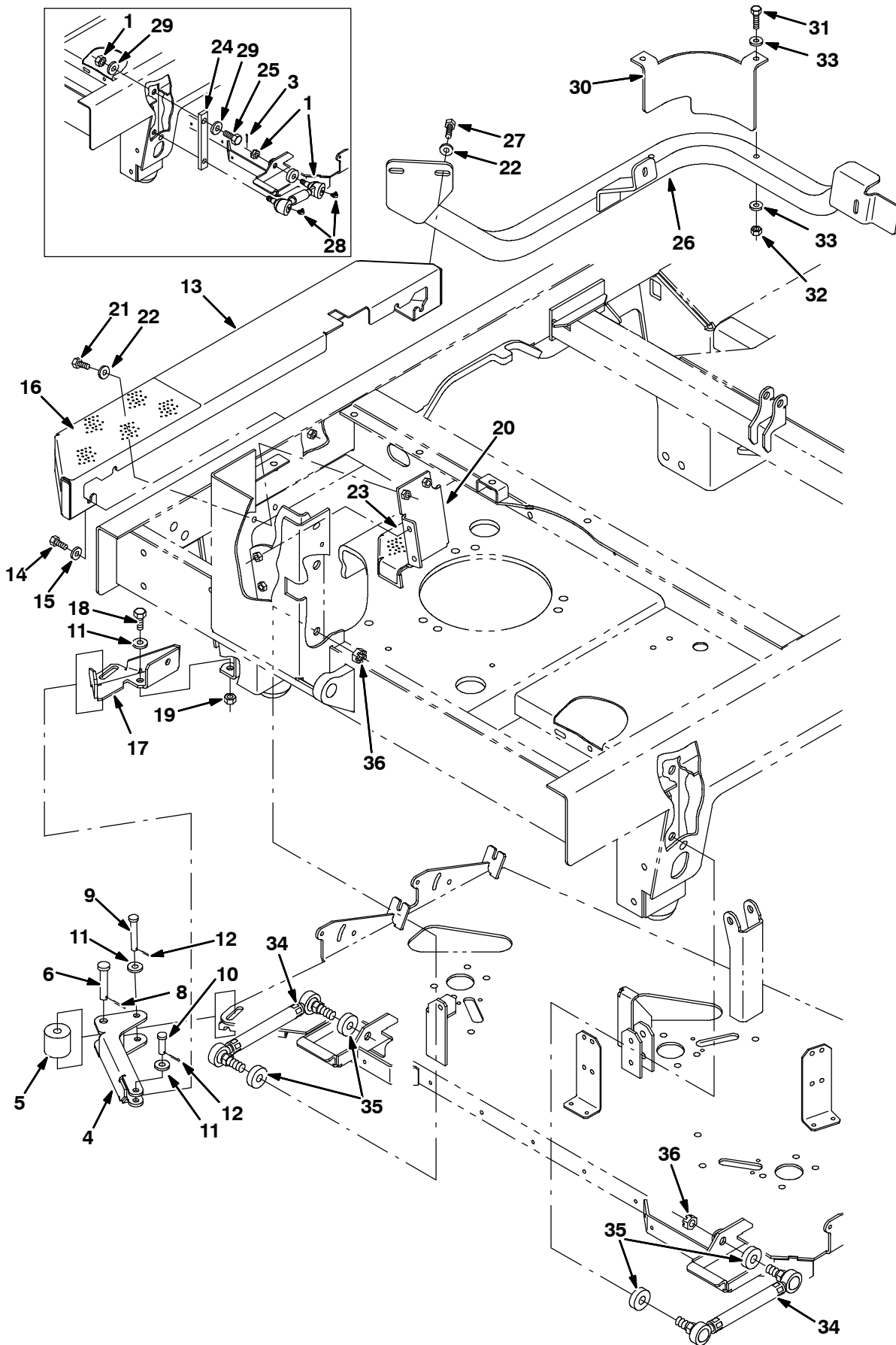


Fig. 23 - Max Pro 1200 (Disc-Brush) Scrub Head Linkage Group

Ref.	Tennant Part No.	Machine Serial Number	Description	Qty.
1	363113	(000000-003695)	Link Wldt, Head, Drag (Replaced by 9005751)	2
2	14524	(000000-003695)	Spacer, Washer	2
3	08346	(000000-003695)	Pin, Cotter, .125 X 0.75	4
4	1001099	(000000-004999)	Guard, Kick In, Scb Head	1
4	1056390	(005000-)	Guard, Kick In, Scb Head, Iron Gray	1
5	72946	(000000-)	Roller	1
6	06279	(000000-)	Pin, Clevis, 0.50 D X 2.50l	1
7	08711	(000000-003695)	Nut, Hex, Std, M12 X 2.0	2
8	08182	(000000-)	Pin, Cotter, .125 X 1.00	1
9	365180	(000000-)	Pin, Clevis, 0.38 D X 2.50l	1
10	29557	(000000-)	Pin, Clevis, 0.37 D X 1.31l	1
11	01686	(000000-)	Washer, Flt, .38 Ss	4
12	39005	(000000-)	Pin, Cotter, .094 X 0.75	2
13	386827	(000000-004999)	Bumper, Side, Scb Head, Wide	1
13	1056681	(005000-)	Bumper, Side, Scb Head, Wide, Iron Gray	1
14	09740	(000000-)	Screw, Hex, M08 X 1.25 X 20, Ss	4
15	32491	(000000-)	Washer, Flt, .31 Std	6
16	387080	(000000-)	Tread, Floor, 12.5 X 5.75	1
17	386876	(000000-004999)	Bracket, Adaptor, Mtg, Kick In, Frame	1
17	1056505	(005000-)	Bracket, Adapter, Mtg, Kick In, Frame	1
18	09028	(000000-)	Screw, Hex, M10 X 1.5 X 25, Ss	2
19	08714	(000000-)	Nut, Hex, Lock, M10 X 1.5, NI, Ss	1
20	387162	(000000-004999)	Bracket	1
20	1056516	(005000-)	Bracket, Step, Iron Gray	1
21	09740	(000000-)	Screw, Hex, M08 X 1.25 X 20, Ss	4
22	01685	(000000-)	Washer, Flt, .31 Ss	8
23	387230	(000000-)	Tread, Step	1
24	24254	(000000-003695)	Spacer, Plate	2
25	06969	(000000-003695)	Screw, Hex, M12 X 1.75 X 40, 8.8	2
26	387245	(000000-004999)	Guard Wldt, Sqge (MP 20)	1
26	1056517	(005000-)	Guard Wldt, Sqge, Rear, Gray	1
27	09010	(000000-)	Screw, Hex, M08 X 1.25 X 25, Ss	4
28	09718	(000000-003695)	Fitting, Grease, E90 Pm04 .75L	4
29	32486	(000000-003695)	Washer, Flt, .50 Sae	4
▽	374250	(000000-004999)	Guard Kit, Sqge, Rear, Ci [7300/8300]	1
▲	30 1007486	(000000-004999)	Guard, Bumper	1
▲	31 39278	(000000-004999)	Screw, Hex, M8 X 1.25 X 50, 8.8	2
▲	32 08713	(000000-004999)	Nut, Hex, Lock, M8 X 1.25, NI, Ss	2
▲	33 32491	(000000-004999)	Washer, Flat, 0.31, Std	4
▽	9006924	(005000-)	Guard Kit, Sqge, Rear, Iron Gray, Ci	1
▲	30 1057073	(005000-)	Guard, Bumper	1
▲	31 39278	(005000-)	Screw, Hex, M8 X 1.25 X 50, 8.8	2
▲	32 08713	(005000-)	Nut, Hex, Lock, M8 X 1.25, NI, Ss	2
▲	33 32491	(005000-)	Washer, Flat, 0.31, Std	4
▲	34 1050193	(003696-)	Link Assy, Rod-End, .63-18	2
▲	35 1057066	(003696-)	Tube, 0.69id 1.25od 00.4l, Rod-End, Gray	4
▲	36 40814	(003696-)	Nut, Hex, Lock, .62-18, NI, Thin	4

Fig. 24 - Max Pro 1200 (Disc-Brush) Solution Valve Group

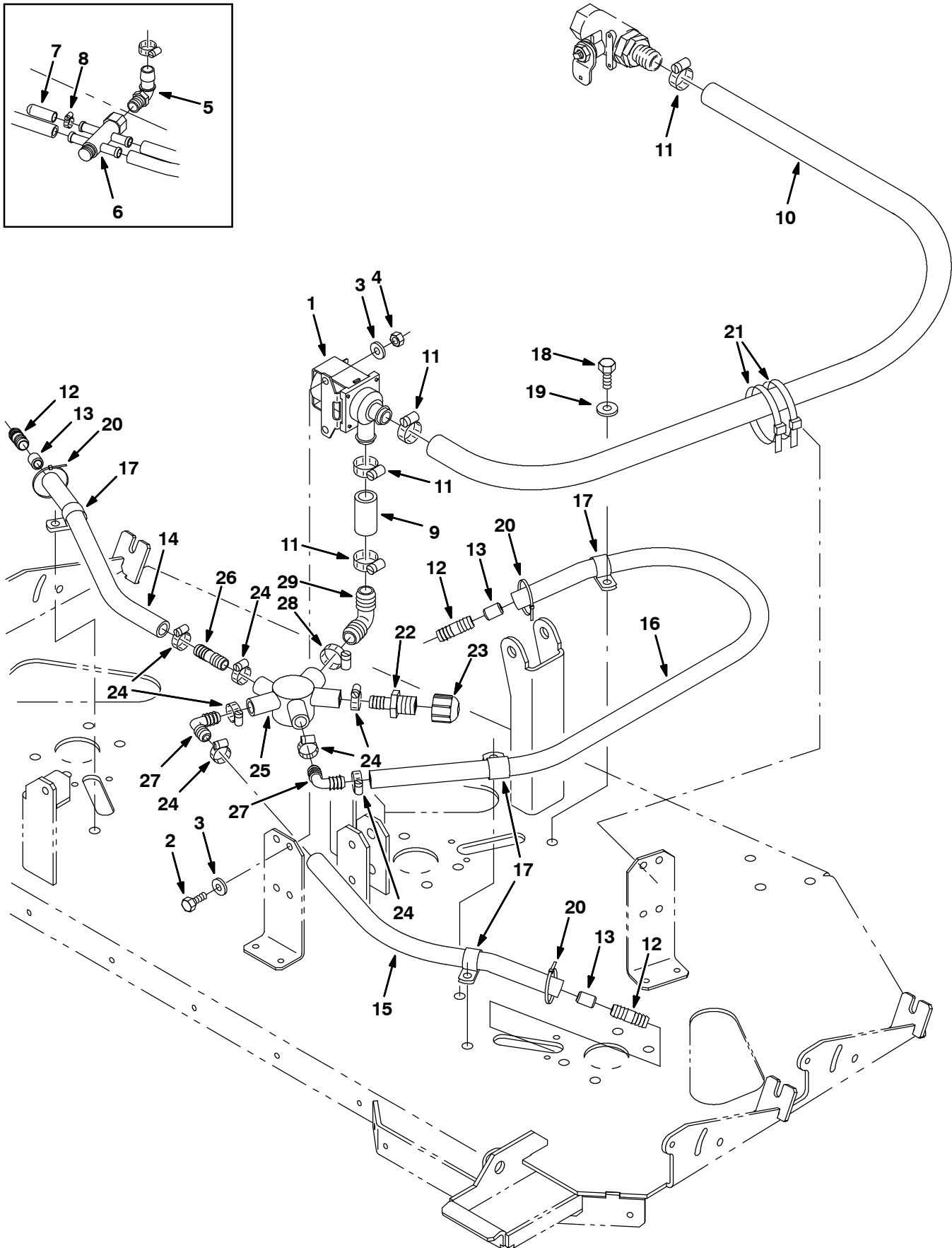


Fig. 24 - Max Pro 1200 (Disc-Brush) Solution Valve Group

Ref.	Tennant Part No.	Machine Serial Number	Description	Qty.
1	84028	(000000-) Valve, Water	1
2	15678	(000000-) Screw, Hex, M06 X 1.0 X 16, Ss	2
3	32490	(000000-) Washer, Flt, .25 Std	4
4	08712	(000000-) Nut, Hex, Lock, M06 X 1.0, NI, Ss	2
5	63244-2	(000000-001986) Fitting, Plstc, E90, Bm12/Pm08	1
6	72950	(000000-001986) Manifold, Plastic	1
7	20807	(000000-001986) Cap, Neoprene Black	1
8	54333	(000000-001986) Clamp, Hose, Wormdrive, 0.31-0.88d	1
9	16914	(000000-) Hose, Pvc, Brd, 0.75id 1.00od 02.00l	1
10	73474	(000000-) Hose, Pvc, Brd, 0.75id 1.00od 44.50l	1
11	63810	(000000-) Clamp, Hose, Wormdrive, 0.56-1.06d, .56w	4
12	364631	(000000-) Fitting, Plstc, Str, Bm08/Bm08	3
13	77334	(000000-) Fitting, Plstc, Rst, .50od/.31id	3
14	49142	(000000-) Hose, Pvc, Brd, 0.50id 0.80od 18.00l	1
15	223515	(000000-) Hose, Pvc, Brd, 0.50id 0.75od 14.00l	1
16	385682	(000000-) Hose, Pvc, Brd, 0.50id 0.73od 33.00l	1
17	67767	(000000-) Clamp, Cable, Stl, 0.69d X 0.62w, 1h	4
18	12273	(000000-) Screw, Hex, M08 X 1.25 X 20, Ss, NI	4
19	01685	(000000-) Washer, Flt, .31 Ss	4
20	49266	(000000-) Tie, Cable, Nyl, 07.3l .19w 1.8 Max D	3
21	44961	(000000-) Tie, Cable, Nyl, 14.5l .30w 4.0 Max D	2
22	79273-4	(001987-) Fitting, Plstc, Str, Bm08/Pm08	1
23	1015558	(001987-) Fitting, Plstc, Cap, Pf08	1
24	54333	(001987-) Clamp, Hose, Wormdrive, 0.31-0.88d	7
25	1012528	(001987-) Manifold, Soltn, Cntrl	1
26	364631	(001987-) Fitting, Plstc, Str, Bm08/Bm08	1
27	63987-1	(001987-) Fitting, Plstc, E90, Bm08/Bm08	2
28	86824	(001987-) Clamp, Hose, Wormdrive, 0.50-1.06d	1
29	40566	(001987-) Fitting, Plstc, E90, Bm12/Bm12	1

Fig. 25 - Max Pro 1200 (Disc-Brush) Solution Valve Group (FaST/ec-H2O)

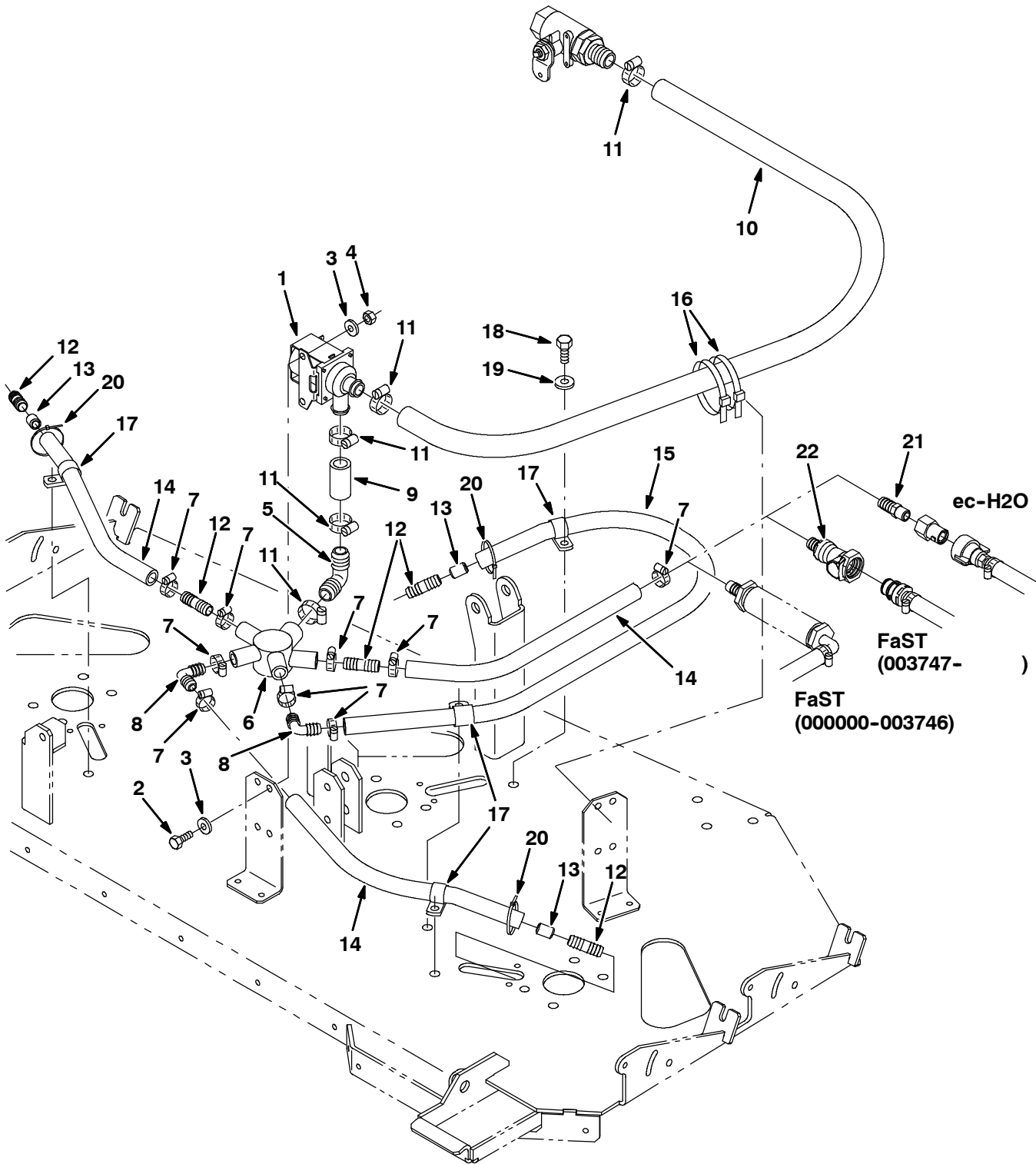


Fig. 25 - Max Pro 1200 (Disc-Brush) Solution Valve Group (FaST/ec-H2O)

Ref.	Tennant Part No.	Machine Serial Number	Description	Qty.
1	84028	(000000-) Valve, Water	1
2	15678	(000000-) Screw, Hex, M06 X 1.0 X 16, Ss	2
3	32490	(000000-) Washer, Flt, .25 Std	4
4	08712	(000000-) Nut, Hex, Lock, M06 X 1.0, NI, Ss	2
5	40566	(000000-) Fitting, Plstc, E90, Bm12/Bm12	1
6	1012528	(000000-) Manifold, Soltn, Cntrl	1
7	54333	(000000-) Clamp, Hose, Wormdrive, 0.31-0.88d	9
8	63987-1	(000000-) Fitting, Plstc, E90, Bm08/Bm08	2
9	1015048	(000000-) Hose, Afmkt, Pvc, Brd 0.75id 1 Ft	1
10	1015045	(000000-) Hose, Afmkt, Pvc, Brd 0.75id 8 Ft	1
11	63810	(000000-) Clamp, Hose, Wormdrive, 0.56-1.06d, .56w	5
12	364631	(000000-) Fitting, Plstc, Str, Bm08/Bm08	5
13	77334	(000000-) Fitting, Plstc, Rst, .50od/.31id	3
14	1011521	(000000-) Hose, Afmkt Replmt, Pvc, Brd 0.50id 2 Ft	3
15	1006401	(000000-) Hose, Afmkt Replmt, Pvc, Brd 0.50id 3 Ft	1
16	44961	(000000-) Tie, Cable, Nyl, 14.5l .30w 4.0 Max D	2
17	67767	(000000-) Clamp, Cable, Stl, 0.69d X 0.62w, 1h	4
18	12273	(000000-) Screw, Hex, M08 X 1.25 X 20, Ss, NI	4
19	01685	(000000-) Washer, Flt, .31 Ss	4
20	49266	(000000-) Tie, Cable, Nyl, 07.3l .19w 1.8 Max D	3
21	48610	(000000-) Fitting, Plstc, Str, Bm08/Pm04 (ec-H2O)	1
22	1017413	(003747-) Housing, Cplg, Qf / Pm08 (FaST)	1

Fig. 26 - Max Pro 1200 (Disc-Brush) Edge Scrub Group

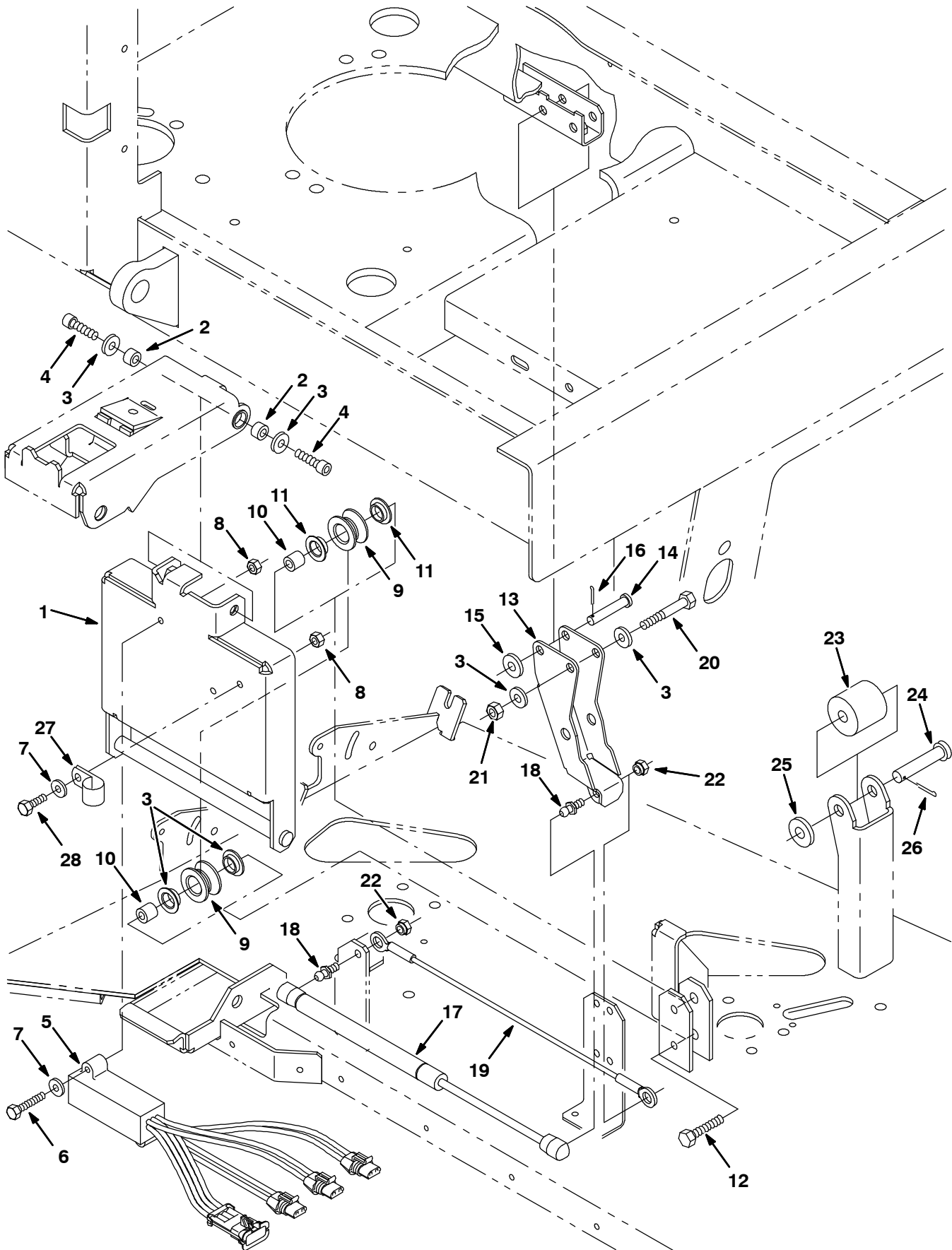


Fig. 26 - Max Pro 1200 (Disc-Brush) Edge Scrub Group

Ref.	Tennant Part No.	Machine Serial Number	Description	Qty.
1	1056844	(000000-) Rail Wldt, Lift, Disk Head, Iron Gray	1
2	222556	(000000-) Sleeve	2
3	01685	(000000-) Washer, Flt, .31 Ss	4
4	39308	(000000-) Screw, Hex, M08 X 1.25 X 25, Ss, NI	2
5	363238	(000000-) Shunt, 3 Std Mtrs, Scrub 515, Yellow	1
6	33930	(000000-) Screw, Hex, M06 X 1.0 X 40, Ss	2
7	01684	(000000-) Washer, Flt, .25 Ss	3
8	08712	(000000-) Nut, Hex, Lock, M06 X 1.0, NI, Ss	3
9	363120	(000000-) Roller	2
10	222277	(000000-) Sleeve	2
11	04843	(000000-) Bushing, Flng, 0.63b 0.72d 0.25l	4
12	222505	(000000-) Screw, Hex, M08 X 1.25 X 45, Ss	2
13	1056845	(000000-) Arm Wldt, Pivot, Side, Gray [7300/8300]	1
14	29584	(000000-) Pin, Clevis, 0.37 D X 2.00l	1
15	01686	(000000-) Washer, Flt, .38 Ss	1
16	39005	(000000-) Pin, Cotter, .094 X 0.75	1
17	364858	(000000-) Gasspring, 56lb, 6.3strk	1
18	58494	(000000-) Stud, Ball, .39d .31-16, Gasspring	2
19	364404	(000000-) Cable, .13d, 15.5l, .50eye /.50eye	1
20	77270	(000000-) Screw, Hex, M08 X 1.25 X 60, Ss	1
21	08713	(000000-) Nut, Hex, Lock, M08 X 1.25,NI, Ss	1
22	14725	(000000-) Nut, Retainer, .31-18	2
23	72946	(000000-) Roller	1
24	06279	(000000-) Pin, Clevis, 0.50 D X 2.50l	1
25	32493	(000000-) Washer, Flt, .50 Std	1
26	08182	(000000-) Pin, Cotter, .125 X 1.00	1
27	67767	(000000-) Clamp, Cable, Stl, 0.69d X 0.62w, 1h	1
28	08716	(000000-) Screw, Hex, M06 X 1.0 X 20, Ss	1

Fig. 27 - Max Pro 1200 (Disc-Brush) Right Side Squeegee Group

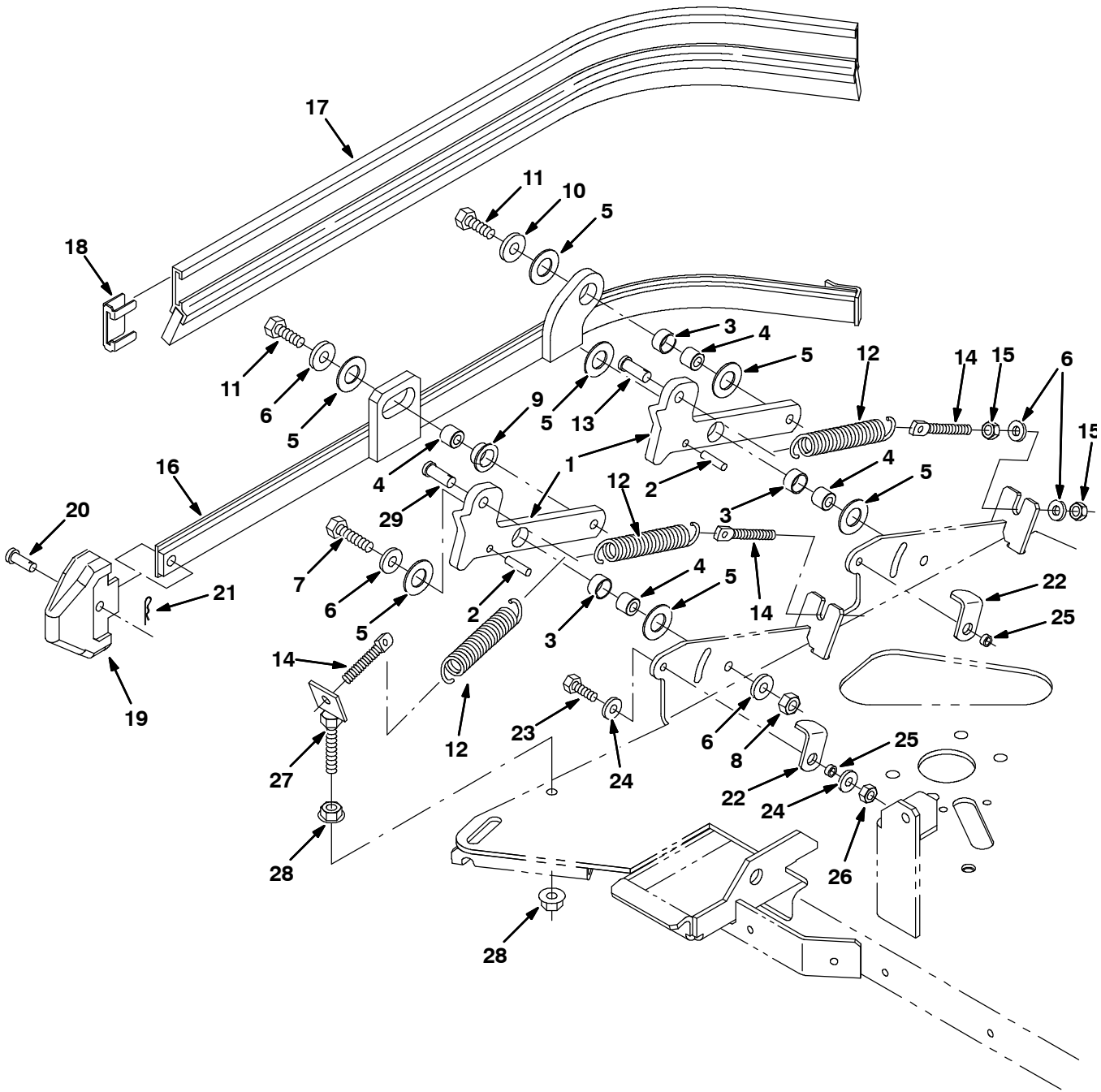


Fig. 27 - Max Pro 1200 (Disc-Brush) Right Side Squeegee Group

Ref.	Tennant Part No.	Machine Serial Number	Description	Qty.
1	1056863	(000000-) Arm, Mtg, Side Sqge Frame, Ele	2
2	17404	(000000-) Pin, Roll, .250 D X 0.75l, .250/.256	2
3	71607	(000000-) Bushing, Sleeve, 0.63b 0.72d 0.38l	3
4	386356	(000000-) Sleeve, .335b X .62d X .52l, Sst	4
5	64425	(000000-) Washer, Thrust, 0.61b 1.25d .06, Fgl	7
6	01685	(000000-) Washer, Flt, .31 Ss	7
7	09023	(000000-) Screw, Hex, M08 X 1.25 X 35, Ss	2
8	08713	(000000-) Nut, Hex, Lock, M08 X 1.25, NI, Ss	2
9	25735	(000000-) Bushing, Flng, 0.63b 0.75d 0.38l	1
10	01686	(000000-) Washer, Flt, .38 Ss	2
11	12333	(000000-) Screw, Hex, M08 X 1.25 X 25, Ss, NI	2
12	87816	(000000-) Spring, Extn, 0.75od X 0.09wir, 2.5l	3
13	76653	(000000-) Pin, Clevis, 0.37 D X 1.00l	1
14	386088	(000000-) Bolt, Eye, M8 X 1.25, 2.75l	3
15	07786	(000000-) Nut, Hex, Std, M08 X 1.25, Ss	6
16	386263	(000000-) Frame Wldt, Sqge, Side, Rh	1
17	386260	(000000-) Squeegee, Side	1
18	86759	(000000-) Retainer, Sqge	1
19	386986	(000000-) Guide, Point, Side Sqge	1
20	386987	(000000-) Pin, Clevis, 0.31d 0.88l	1
21	86866	(000000-) Pin, Hair Cotter, 0.38 D .072 Wir	1
22	386391	(000000-) Latch, Double Scrub, Side Sqge	2
23	08716	(000000-) Screw, Hex, M06 X 1.0 X 20, Ss	2
24	01684	(000000-) Washer, Flt, .25 Ss	4
25	80491	(000000-) Sleeve	2
26	08712	(000000-) Nut, Hex, Lock, M06 X 1.0, NI, Ss	2
27	1007632	(000000-) Bracket Wldt, Mtg, Spring	1
28	27980	(000000-) Nut, Hex, Flng, .38-16	2
29	29568	(000000-) Angle, 1.00 0.75 .12t 00.8l Hr	1

Fig. 28 - Max Pro 1200 (Disc-Brush) Right Side Vacuumized Squeegee Group

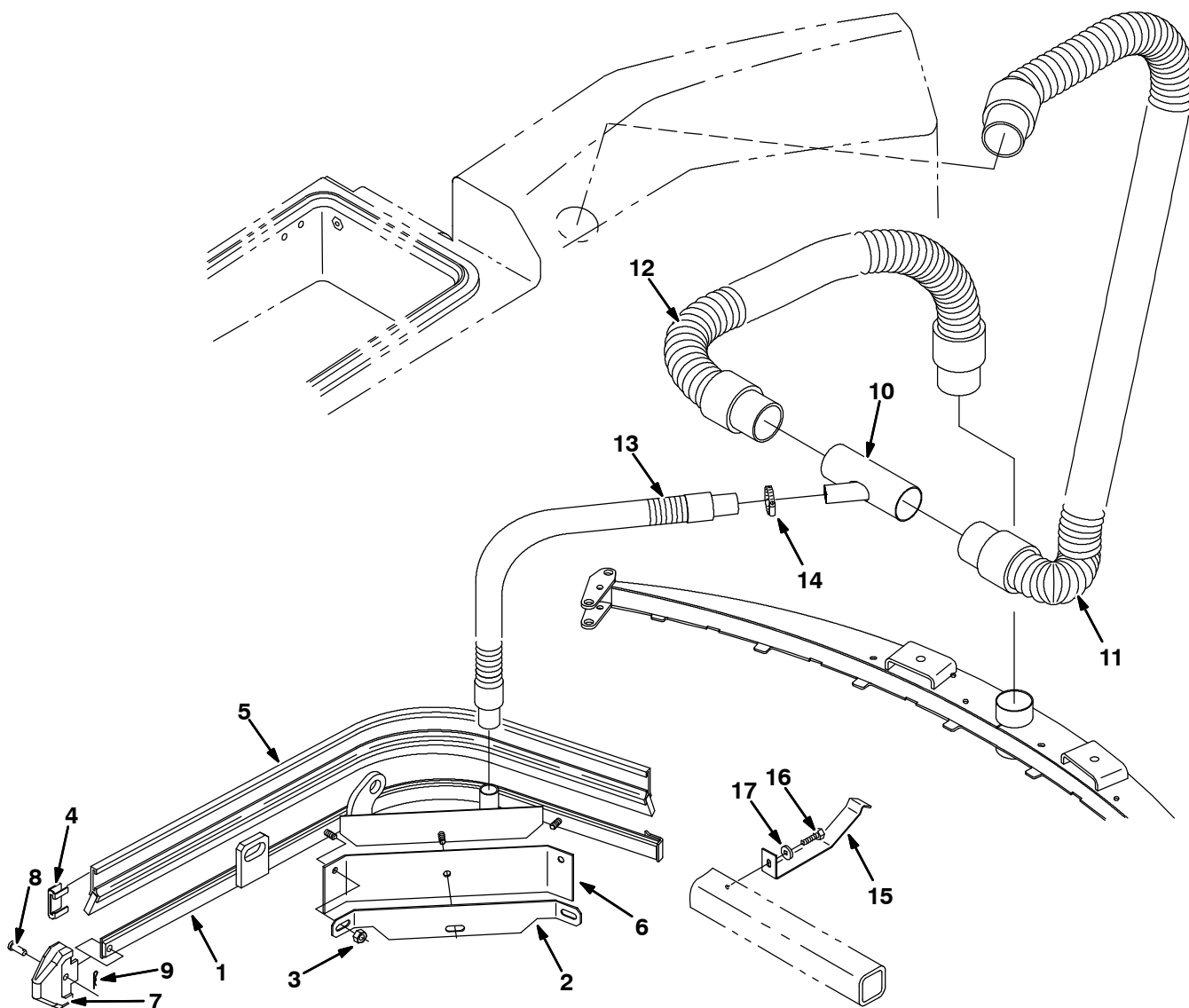


Fig. 28 - Max Pro 1200 (Disc-Brush) Right Side Vacuumized Squeegee Group

Ref.	Tennant Part No.	Machine Serial Number	Description	Qty.
1	387509	(000000-) Frame Assy, Sqge, Side, Vacuum, Rh	1
2	387516	(000000-) Retainer, Blade, Front	1
3	08713	(000000-) Nut, Hex, Lock, M08 X 1.25,NI, Ss	3
4	86759	(000000-) Retainer, Sqge	1
5	387545	(000000-) Blade Assy, Sqge, Side	1
6	387546	(000000-) Blade, Squeegee	1
7	386986	(000000-) Guide, Point, Side Sqge	1
8	386987	(000000-) Pin, Clevis, 0.31 D X 0.88l	1
9	86866	(000000-) Pin, Hair Cotter, 0.38 D .072 Wir	1
10	386518	(000000-) Tube Wldt	1
11	386514	(000000-001702) Hose, Vacuum, 58.5l	1
11	1005133	(001703-) Hose Assy, W/2cuff, 2.0d 75l	1
12	387256	(000000-001702) Hose, Vacuum, 35.0l	1
12	1005135	(001703-) Hose Assy, W/2cuff, 2.0d 26l	1
13	387517	(000000-001702) Hose Assy, W/2 Cuff, 1.0d 41.0l	1
13	398802	(001703-) Hose Assy, W/2 Cuff, 1.0D 44L 1.0/1.0	1
14	11399	(000000-) Clamp, Hose, Wormdrive, 0.81-1.50d	1
15	1002464	(001703-) Bracket, Tube , Tee	1
16	361339	(001703-) Screw, Hex, M 6 X 1.0 X 16, Fmg	1
17	32483	(001703-) Washer, Flat, 0.25 Sae	1

Fig. 29 - Max Pro 1200 (Disc-Brush) Left Side Squeegee Group

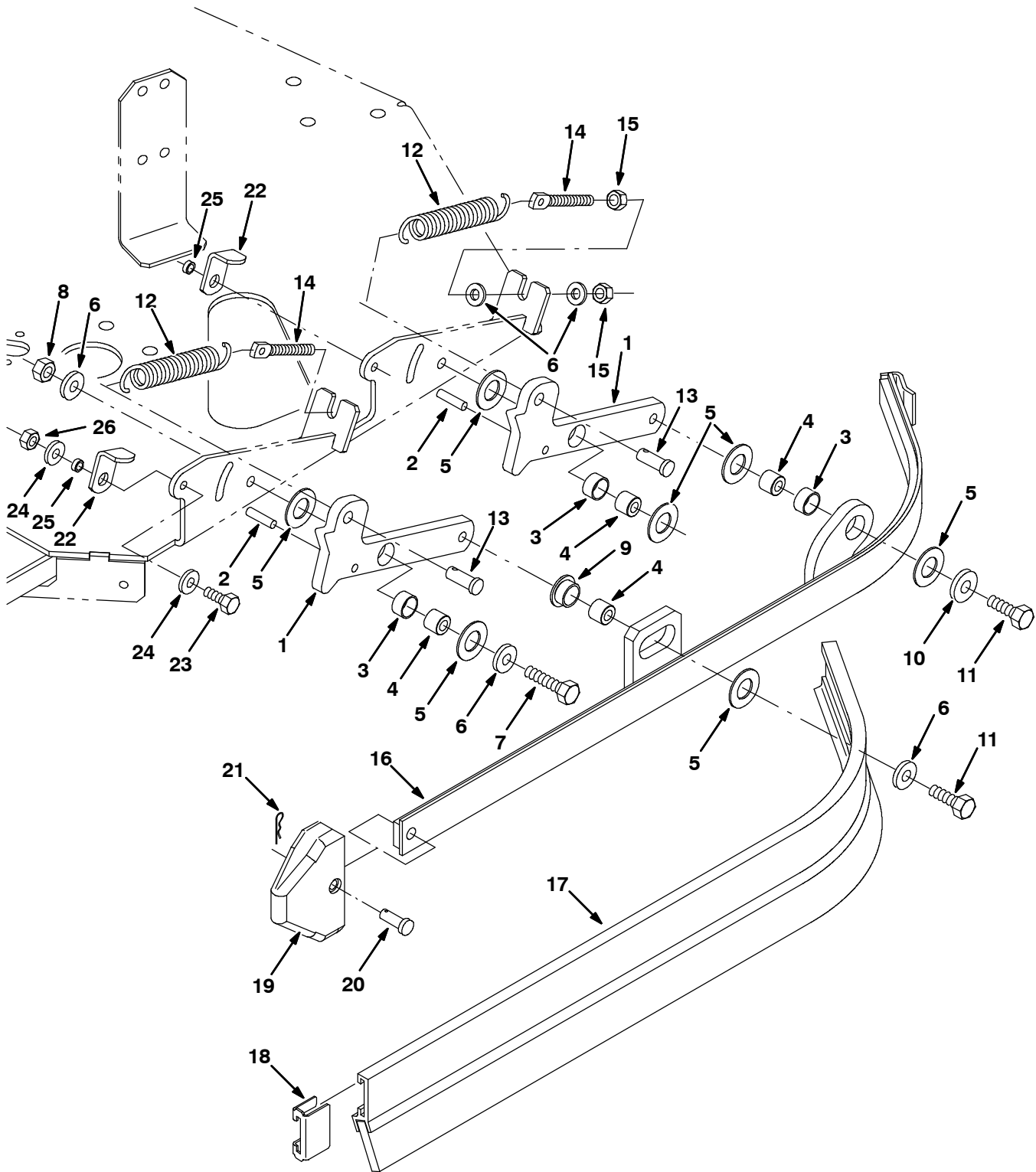


Fig. 29 - Max Pro 1200 (Disc-Brush) Left Side Squeegee Group

Ref.	Tennant Part No.	Machine Serial Number	Description	Qty.
1	1056863	(000000-) Arm, Mtg, Side Sqge Frame, Ele, Gray	2
2	17404	(000000-) Pin, Roll, .250 D X 0.75l, .250/.256	2
3	71607	(000000-) Bushing, Sleeve, 0.63b 0.72d 0.38l	3
4	386356	(000000-) Sleeve, .335b X .62d X .52l, Sst	4
5	64425	(000000-) Washer, Thrust, 0.61b 1.25d .06, Fgl	7
6	01685	(000000-) Washer, Flt, .31 Ss	7
7	09023	(000000-) Screw, Hex, M08 X 1.25 X 35, Ss	2
8	08713	(000000-) Nut, Hex, Lock, M08 X 1.25, NI, Ss	2
9	25735	(000000-) Bushing, Flng, 0.63b 0.75d 0.38l	1
10	01686	(000000-) Washer, Flt, .38 Ss	2
11	12333	(000000-) Screw, Hex, M08 X 1.25 X 25, Ss, NI	2
12	87816	(000000-) Spring, Extn, 0.75od X 0.09wir, 2.5l	2
13	76653	(000000-) Pin, Clevis, 0.37 D X 1.00l	2
14	386088	(000000-) Bolt, Eye, M8 X 1.25, 2.75l	2
15	07786	(000000-) Nut, Hex, Std, M08 X 1.25, Ss	4
16	386262	(000000-) Frame Wldt, Sqge, Side, Lh	1
17	386260	(000000-) Squeegee, Side	1
18	86759	(000000-) Retainer, Sqge	1
19	386986	(000000-) Guide, Point, Side Sqge	1
20	386987	(000000-) Pin, Clevis, 0.31d 0.88l	1
21	86866	(000000-) Pin, Hair Cotter, 0.38 D .072 Wir	1
22	386391	(000000-) Latch, Double Scrub, Side Sqge	2
23	08716	(000000-) Screw, Hex, M06 X 1.0 X 20, Ss	2
24	01684	(000000-) Washer, Flt, .25 Ss	4
25	80491	(000000-) Sleeve	2
26	08712	(000000-) Nut, Hex, Lock, M06 X 1.0, NI, Ss	2

Fig. 30 - Max Pro 1000 (Cylindrical Brush) Scrub Head Frame and Linkage Group

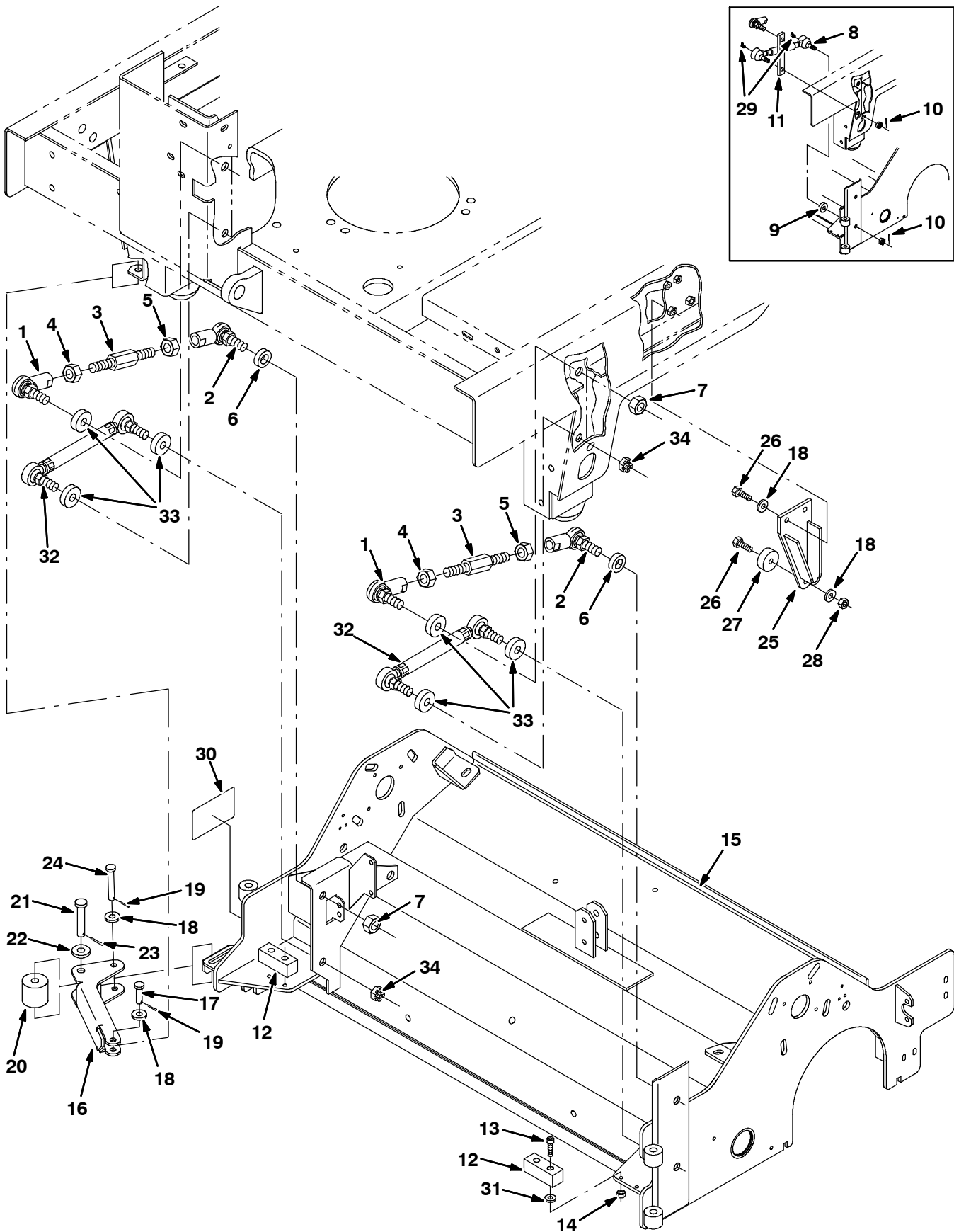


Fig. 30 - Max Pro 1000 (Cylindrical Brush) Scrub Head Frame and Linkage Group

Ref.	Tennant Part No.	Machine Serial Number	Description	Qty.
1	77275	(000000-) Rod-End, .62-18rh Fem 0.50-18stud	2
2	386070	(000000-) Rod-End, .625-18, Lh	2
3	386071	(000000-) Rod, Link	2
4	77276	(000000-) Nut, Hex, Jam, .62-18, Ss	2
5	77277	(000000-) Nut, Hex, Jam, .62-18, Ss, Lh	2
6	386081	(000000-) Spacer, Rod-End	2
7	40814	(000000-) Nut, Hex, Lock, .62-18, NI, Thin	4
8	363113	(000000-003695) Link Wldt, Head, Drag (Replaced by 9005751)	2
9	14524	(000000-003695) Spacer, Washer	2
10	08346	(000000-003695) Pin, Cotter, .125 X 0.75	4
11	386844	(000000-003695) Spacer, Plate	2
12	386865	(000000-) Bumper	2
13	24198	(000000-) Screw, Pan, M05 X 0.8 X 25, Ss	4
14	09739	(000000-) Nut, Hex, Lock, M05 X 0.8, NI, Ss	4
15	1056848	(000000-) Housing Wldt, Brush, Iron Gray	1
16	1001099	(000000-004999) Guard, Kick In, Scb Head	1
16	1056390	(005000-) Guard, Kick In, Scb Head, Iron Gray	1
17	29557	(000000-) Pin, Clevis, 0.37 D X 1.31l	1
18	01686	(000000-) Washer, Flt, .38 Ss	5
19	39005	(000000-) Pin, Cotter, .094 X 0.75	2
20	72946	(000000-) Roller	1
21	06279	(000000-) Pin, Clevis, 0.50 D X 2.50l	1
22	32493	(000000-) Washer, Flt, .50 Std	1
23	08182	(000000-) Pin, Cotter, .125 X 1.00	1
24	365180	(000000-) Pin, Clevis, 0.38 D X 2.50l	1
25	1056494	(000000-) Plate Wldt, Stop, Iron Gray	1
26	09010	(000000-) Screw, Hex, M08 X 1.25 X 25, Ss	3
27	15023	(000000-) Bumper, Pye	1
28	08713	(000000-) Nut, Hex, Lock, M08 X 1.25,NI, Ss	1
29	09718	(000000-003695) Fitting, Grease, E90 Pm04 .75L	4
30	365156	(000000-) Label Set, Info/Hzrd, [Max Pro]	1
31	13248	(000000-) Washer, 0.40B 1.12D .12, Stl, PI	4
32	1050193	(003696-) Link Assy, Rod-End, .63-18	2
33	1057066	(003696-) Tube, 0.69id 1.25od 00.4l, Rod-End, Gray	6
34	40814	(003696-) Nut, Hex, Lock, .62-18, NI, Thin	4

Fig. 31 - Max Pro 1000 (Cylindrical Brush) Scrub Head Drive Group

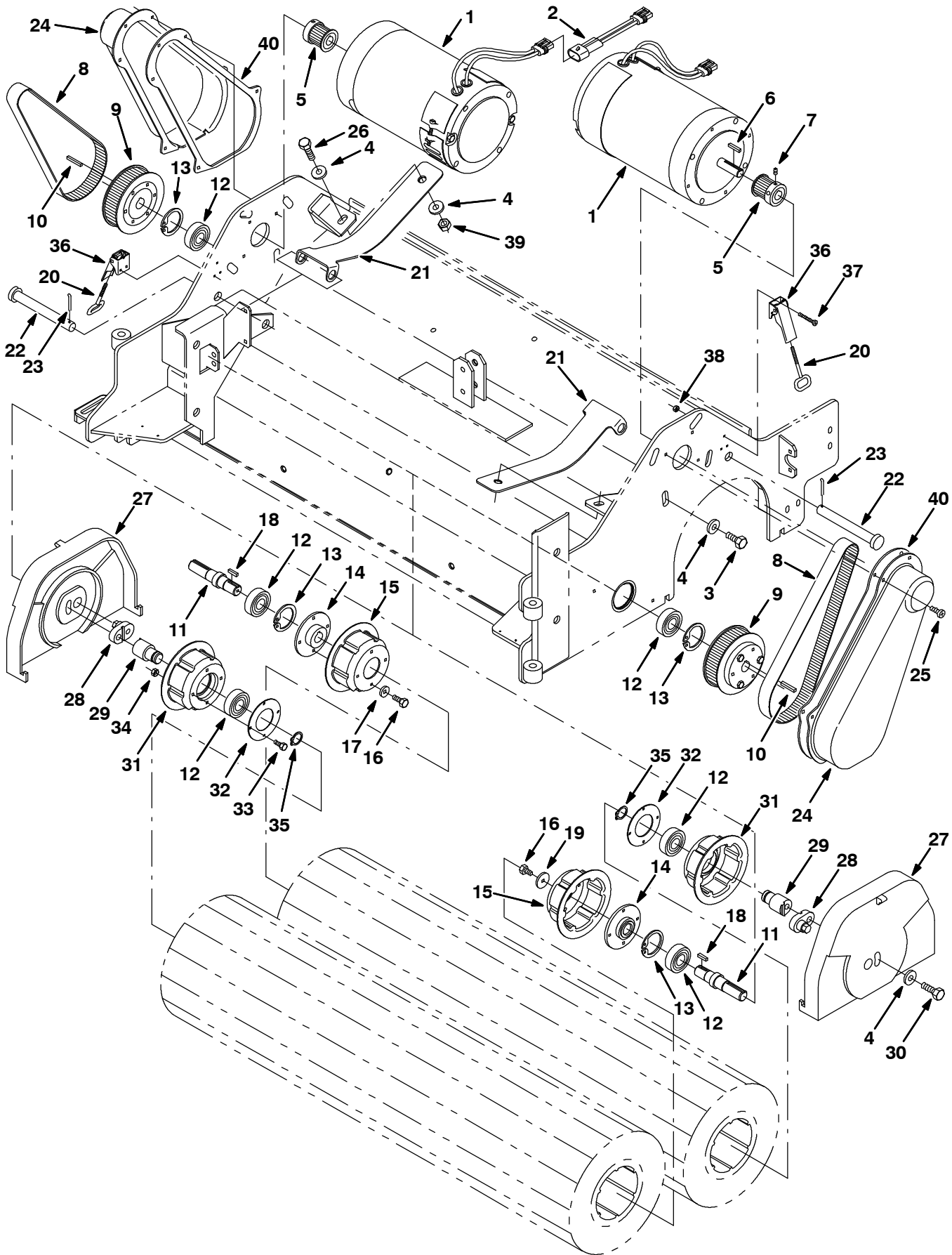


Fig. 31 - Max Pro 1000 (Cylindrical Brush) Scrub Head Drive Group

Ref.	Tennant Part No.	Machine Serial Number	Description	Qty.	
1	386050	(000000-002093)	Motor, Ele, 36vdc 1500rpm 1.5hp (See Breakdown) (Repl By 377398)	2	
▽	1	377398	(002094-)	Motor, Ele, 36vdc 1.50hp 1500rpm 43.0a	2
▲	621478	(002094-)	Brush, Carbon	2	
2	363468	(000000-)	Wire Assy, Jumper Reverse, [515]	1	
3	09291	(000000-)	Screw, Hex, M10 X 1.5 X 20, Ss	8	
4	01686	(000000-)	Washer, Flt, .38 Ss	14	
5	83052	(000000-)	Sprocket, Timing, 23tooth, 0.625b	2	
6	00912	(000000-)	Key, Sq, 0.19 X 0.19, 01.00l	2	
7	39323	(000000-)	Screw, Set, #10-32 X 0.38, Al	4	
8	386053	(000000-)	Belt, Drive (Cylindrical Brush)	2	
9	375301	(000000-)	Sprocket, Timing, 4.261pd, 68 Grv, Pl	2	
10	00918	(000000-)	Key, Sq, 0.19 X 0.19, 01.25l	2	
11	386058	(000000-)	Shaft, Drive, Brush	2	
12	46390	(000000-)	Bearing, Ball, 0.79b 1.85d 0.55w	6	
13	10464	(000000-)	Ring, Retaining, Int, 1.85d, Basic	4	
14	1056846	(000000-)	Hub Wldt, Drive, Brush, Iron Gray	2	
15	1056847	(000000-)	Plug, Drive, Brush, Spl, Iron Gray	2	
16	15678	(000000-)	Screw, Hex, M06 X 1.0 X 16, Ss	10	
17	01684	(000000-)	Washer, Flt, .25 Ss	8	
18	00911	(000000-)	Key, Sq, 0.19 X 0.19, 00.75l	2	
19	386063	(000000-)	Washer, 0.25b 1.12d .12, Ss	2	
20	386274	(000000-)	Hook Wldt, Latch	2	
21	1057089	(000000-)	Spring, Motor, Iron Gray	2	
22	386072	(000000-)	Pin, Clevis, .625 Dia X 5.25l	2	
23	02942	(000000-)	Pin, Hair Cotter, 0.62 D .120 Wir	2	
24	386066	(000000-)	Cover, Drive	2	
25	48732	(000000-)	Screw, Pan, M06 X 1.0 X 10, Ss	10	
26	12317	(000000-)	Screw, Hex, M10 X 1.5 X 30, Ss	2	
27	386080	(000000-)	Cover, Idler	2	
28	386841	(000000-)	Cam, Front	2	
29	386842	(000000-)	Cam, Rear	2	
30	12317	(000000-)	Screw, Hex, M10 X 1.5 X 30, Ss	2	
31	1057512	(000000-)	Plug, Drive, Brush, Spl, Iron Gray	2	
32	1056838	(000000-)	Retainer, Brg, Iron Gray	2	
33	09738	(000000-)	Screw, Hex, M05 X 0.8 X 12, Ss	8	
34	06549	(000000-)	Nut, Hex, Lock, M05 X 0.8, NI	8	
35	26428	(000000-)	Ring, Retaining, Ext, 0.75d, Hd	2	
36	386257	(000000-)	Latch	2	
37	09198	(000000-)	Screw, Pan, M04 X 0.7 X 35, Ss	6	
38	33932	(000000-)	Nut, Hex, Lock, M04 X 0.7, NI, Ss	6	
39	08714	(000000-)	Nut, Hex, Lock, M10 X 1.5, NI, SS	2	
40	1001062	(000000-)	Gasket, Cover	2	

Fig. 32 - Max Pro 1000 (Cylindrical Brush) Solution Valve Group

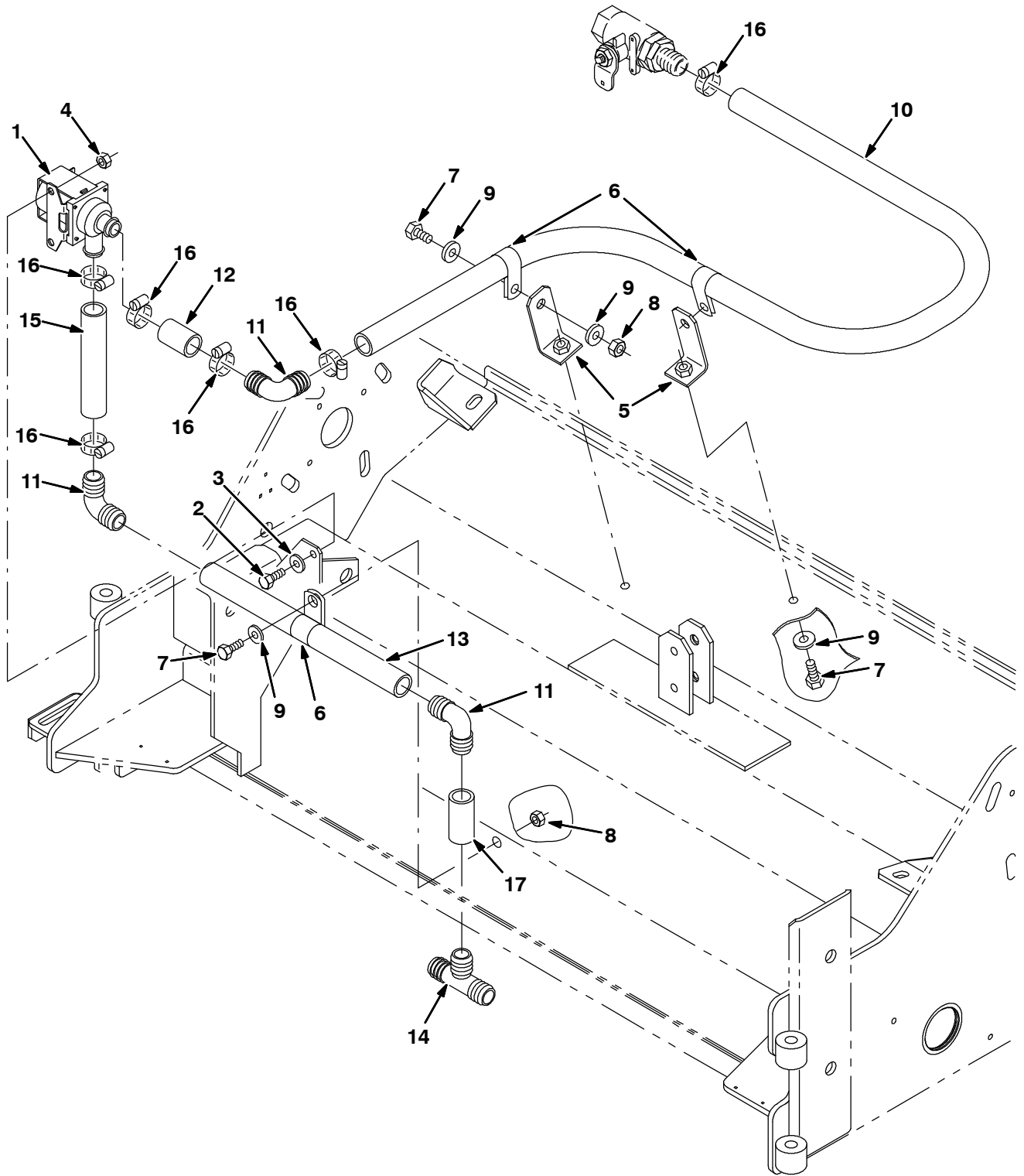


Fig. 32 - Max Pro 1000 (Cylindrical Brush) Solution Valve Group

Ref.	Tennant Part No.	Machine Serial Number	Description	Qty.
1	84028	(000000-) Valve, Water	1
2	15678	(000000-) Screw, Hex, M06 X 1.0 X 16, Ss	2
3	01684	(000000-) Washer, Flt, .25 Ss	2
4	08712	(000000-) Nut, Hex, Lock, M06 X 1.0, NI, Ss	2
5	1056873	(000000-) Angle, Iron Gray	2
6	69234	(000000-) Clamp, Cable, Stl, 1.00d X 0.62w, 1h	3
7	15675	(000000-) Screw, Hex, M08 X 1.25 X 16, Ss	7
8	08709	(000000-) Nut, Hex, Lock, M08 X 1.25,NI	5
9	01685	(000000-) Washer, Flt, .31 Ss	9
10	73474	(000000-) Hose, Pvc, Brd, 0.75id 1.00od 44.50l	1
11	40566	(000000-) Fitting, Plstc, E90, Bm12/Bm12	3
12	364899	(000000-) Hose, Pvc, Brd, 0.75id 1.03od 01.50l	1
13	364896	(000000-) Hose, Pvc, Brd, 0.75id 1.03od 11.00l	1
14	41315	(000000-) Fitting, Plstc, Tee, Bm12/Bm12/Bm12	1
15	364895	(000000-) Hose, Pvc, Brd, 0.75ID 1.03OD 05.00L	1
16	11399	(000000-) Clamp, Hose, Wormdrive, 0.81-1.50d	6
17	16914	(000000-) Hose, Pvc, Brd, 0.75ID 1.00OD 02.00L	1

OPTIONS

Fig. 33 - Max Pro 1000 (Cylindrical Brush) Solution Valve Group (FaST/ec-H2O)

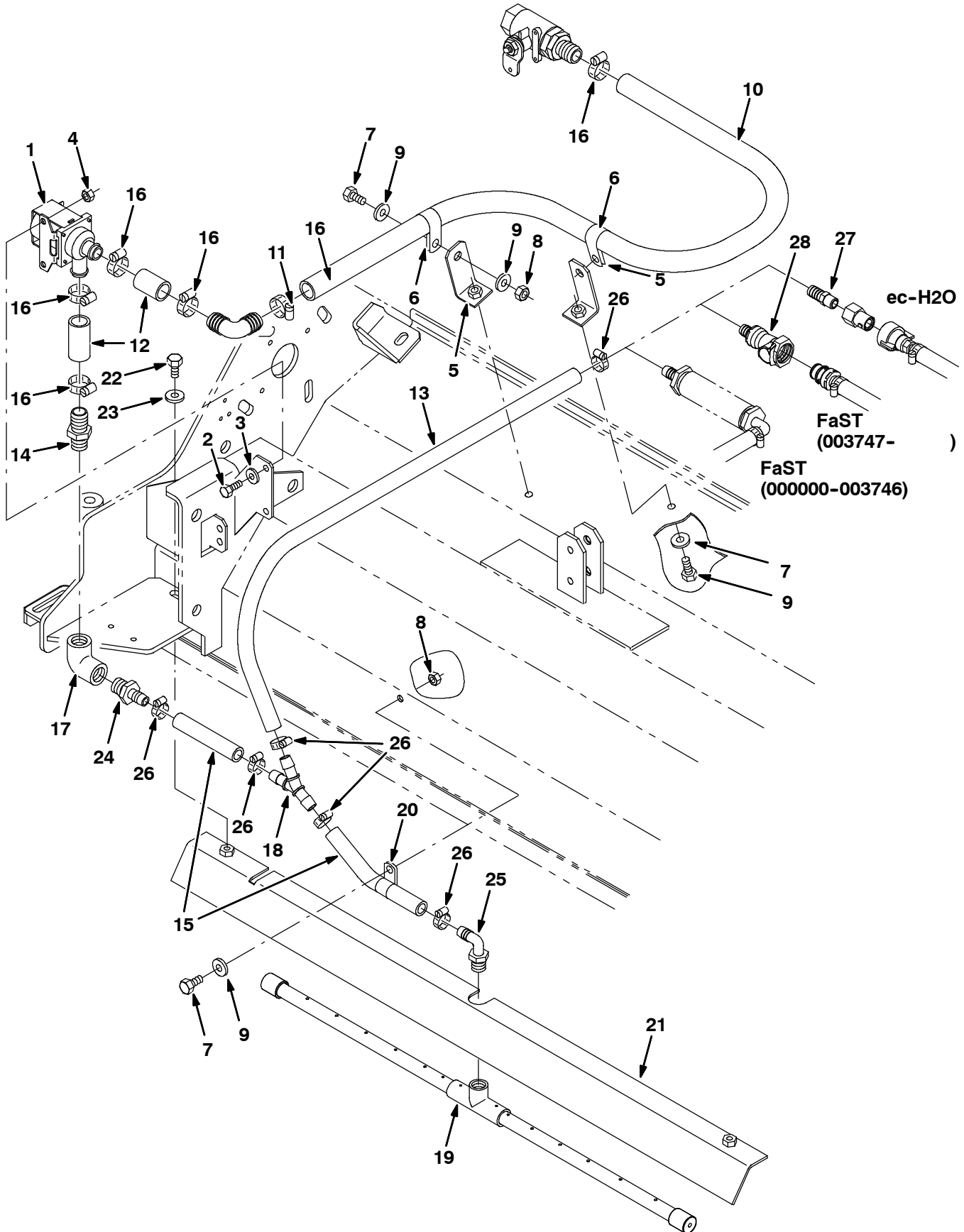


Fig. 33 - Max Pro 1000 (Cylindrical Brush) Solution Valve Group (FaST/ec-H2O)

Ref.	Tennant Part No.	Machine Serial Number	Description	Qty.
1	84028	(000000-) Valve, Water	1
2	15678	(000000-) Screw, Hex, M06 X 1.0 X 16, Ss	2
3	01684	(000000-) Washer, Flt, .25 Ss	2
4	08712	(000000-) Nut, Hex, Lock, M06 X 1.0, NI, Ss	2
5	1056873	(000000-) Angle, Iron Gray	2
6	69234	(000000-) Clamp, Cable, Stl, 1.00d X 0.62w, 1h	2
7	15675	(000000-) Screw, Hex, M08 X 1.25 X 16, Ss	5
8	08709	(000000-) Nut, Hex, Lock, M08 X 1.25, NI	3
9	01685	(000000-) Washer, Flt, .31 Ss	7
10	1015045	(000000-) Hose, Afmkt, Pvc, Brd 0.75id 8 Ft	1
11	40566	(000000-) Fitting, Plstc, E90, Bm12/Bm12	3
12	1015048	(000000-) Hose, Afmkt, Pvc, Brd 0.75id 1 Ft	1
13	1011521	(000000-) Hose, Afmkt Replmt, Pvc, Brd 0.50id 2 Ft	1
14	78398	(000000-) Fitting, Plstc, Str, Bm12/Pm08, Nyl	1
15	1011403	(000000-) Hose, Afmkt Replmt, Pvc, Brd 0.50id 1 Ft	1
16	11399	(000000-) Clamp, Hose, Wormdrive, 0.81-1.50d	6
17	79572	(000000-) Fitting, Plstc, E90, Pf08/Pf08	1
18	1010668	(000000-) Fitting, Plstc, Y, Bm08/Bm08/Bm08 Nyl	1
19	1015097	(000000-) Tube Assy, Spray Bar 40" [7300/8300]	1
20	07471	(000000-) Clamp, Cable, Stl, 0.75d X 0.75w, 1h	1
21	1057531	(000000-) Bracket, Bar, Spray, 40.0 [7300/8300]	1
22	49826	(000000-) Screw, Hex, M8 X 1.25 X 16, Ss, NI	2
23	32492	(000000-) Washer, Flat, 0.38 Std	2
24	79273-4	(000000-) Fitting, Plstc, Str, Bm08/Pm08	1
25	64778	(000000-) Fitting, Plstc, E90, Bm08/Pm06	1
26	54333	(000000-) Clamp, Hose, Wormdrive, 0.31-0.88d	6
27	48610	(000000-) Fitting, Plstc, Str, Bm08/Pm04 (ec-H2O)	1
28	1017413	(003747-) Housing, Cplg, Qf / Pm08 (FaST)	1

Fig. 34 - Max Pro 1000 (Cylindrical Brush) Edge Scrub Group

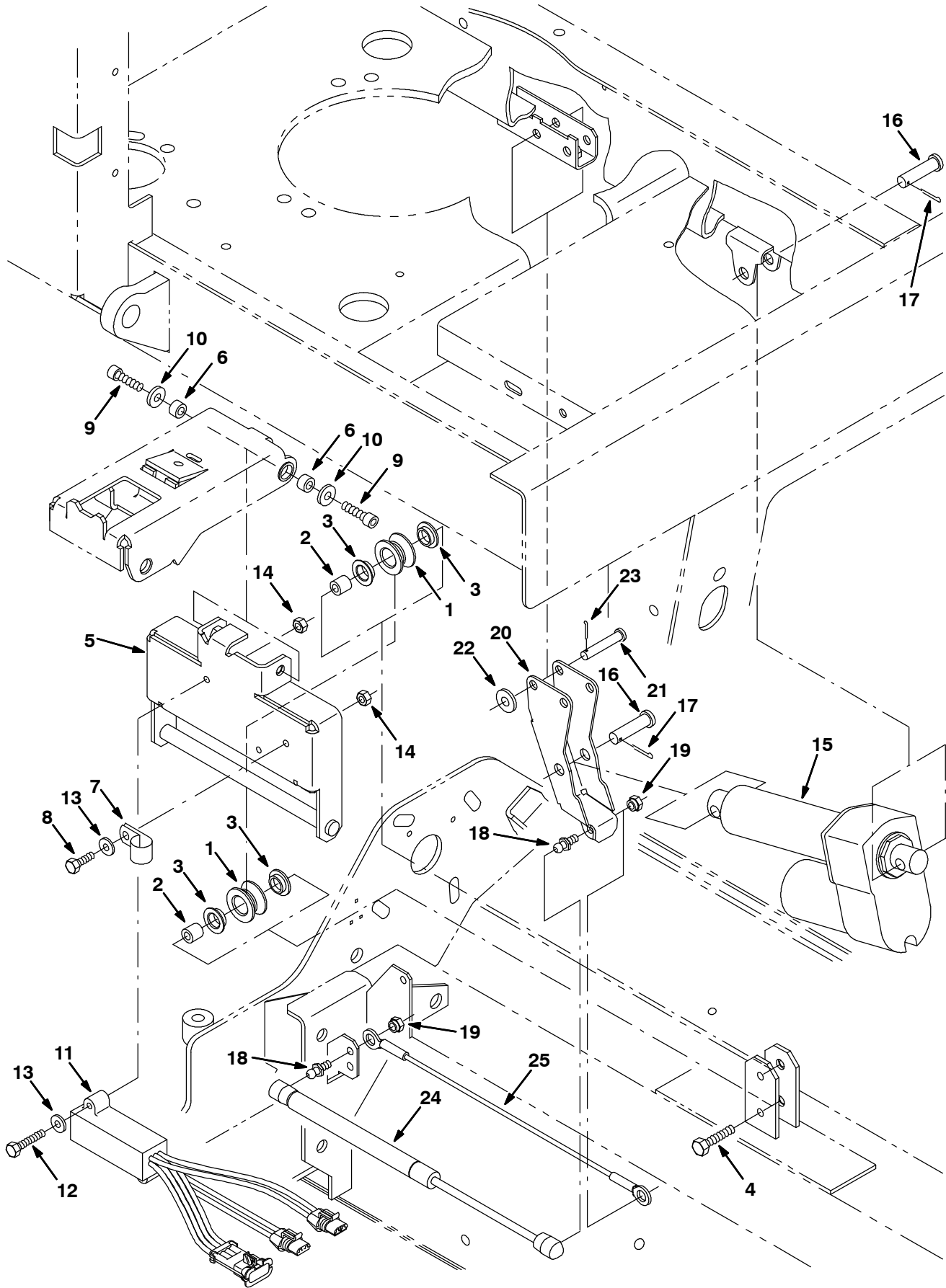


Fig. 34 - Max Pro 1000 (Cylindrical Brush) Edge Scrub Group

Ref.	Tennant Part No.	Machine Serial Number	Description	Qty.
1	363120	(000000-) Roller	2
2	222277	(000000-) Sleeve	2
3	04843	(000000-) Bushing, Flng, 0.63b 0.72d 0.25l	4
4	222505	(000000-) Screw, Hex, M08 X 1.25 X 45, Ss	2
5	1056843	(000000-) Rail Wldt, Lift, Cyl Head, Iron Gray	1
6	222556	(000000-) Sleeve	2
7	67767	(000000-) Clamp, Cable, Stl, 0.69d X 0.62w, 1h	1
8	08716	(000000-) Screw, Hex, M06 X 1.0 X 20, Ss	1
9	39308	(000000-) Screw, Hex	2
10	01685	(000000-) Washer, Flt, .31 Ss	2
11	363237	(000000-) Shunt, 2Hd Mtrs, Scrub 515, Red	1
12	33930	(000000-) Screw, Hex, M06 X 1.0 X 40, Ss	2
13	01684	(000000-) Washer, Flt, .25 Ss	3
14	08712	(000000-) Nut, Hex, Lock, M06 X 1.0, NI, Ss	3
15	363152	(000000-) Actuator, 36vdc, 02.7stroke 500lb	1
16	63147	(000000-) Pin, Clevis, 0.50 D X 1.87l	2
17	08182	(000000-) Pin, Cotter, .125 X 1.00	2
18	58494	(000000-) Stud, Ball, .39d .31-16, Gasspring	2
19	14725	(000000-) Nut, Retainer, .31-18	2
20	1056845	(000000-) Arm Wldt, Pivot, Side, Gray [7300/8300]	1
21	29584	(000000-) Pin, Clevis, 0.37 D X 2.00l	1
22	01686	(000000-) Washer, Flt, .38 Ss	1
23	39005	(000000-) Pin, Cotter, .094 X 0.75	1
24	364858	(000000-) Gasspring, 56lb, 6.3strk	1
25	364404	(000000-) Cable, .13d, 15.5l, .50eye /.50eye	1

Fig. 35 - Max Pro 1000 (Cylindrical Brush) Right Side Squeegee Group

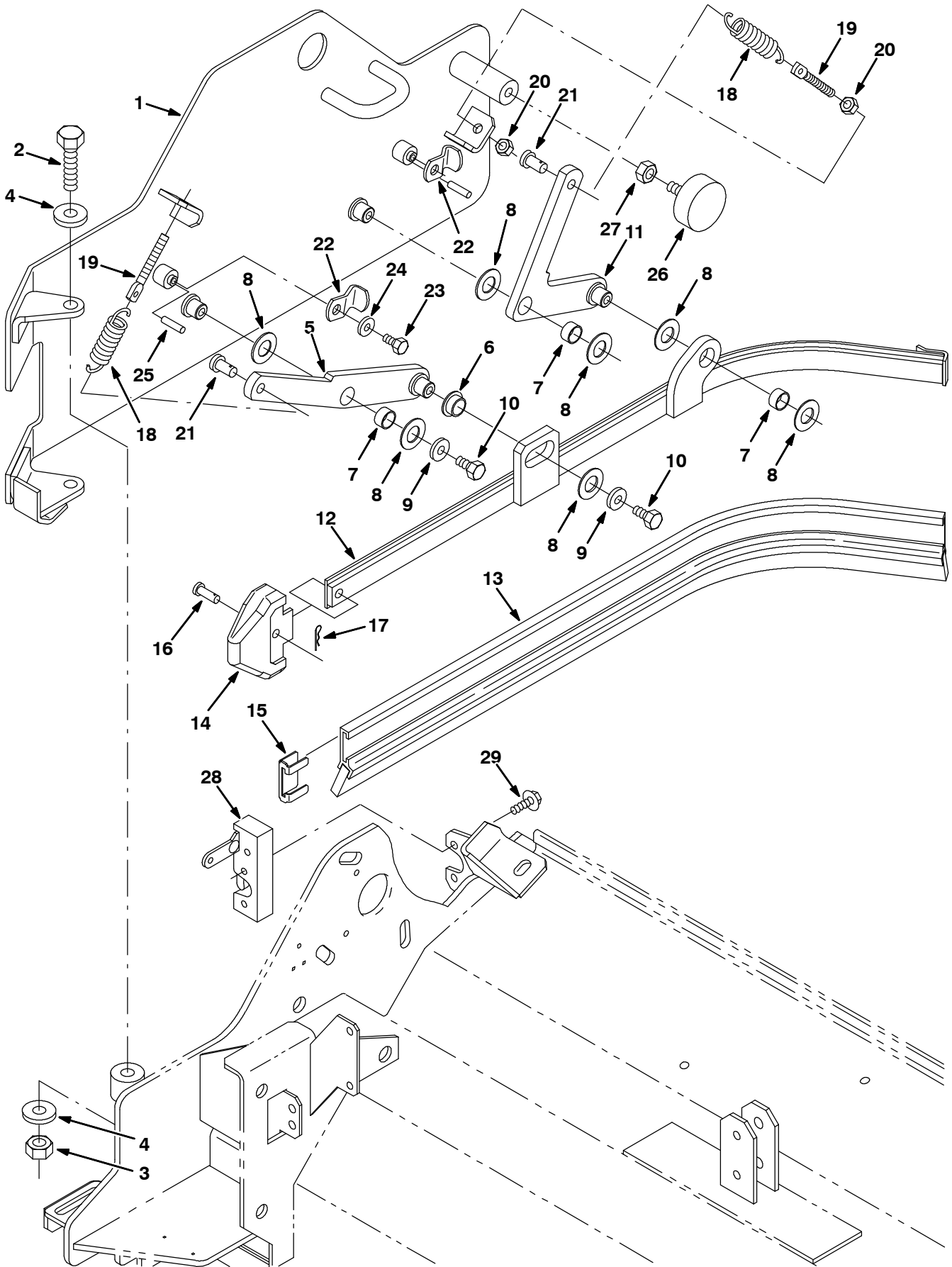


Fig. 35 - Max Pro 1000 (Cylindrical Brush) Right Side Squeegee Group

Ref.	Tennant Part No.	Machine Serial Number	Description	Qty.
1	1056874	(000000-) Guard Wldt, Rh, Iron Gray	1
2	09774	(000000-) Screw, Hex, M12 X 1.75 X 50, Ss	2
3	09741	(000000-) Nut, Hex, Lock, M12 X 1.75,NI, Ss	2
4	33925	(000000-) Washer, Flat, M12, 13x24x2.5ss	4
5	386269	(000000-004999) Arm Wldt, Front, Rh	1
5	1056491	(005000-) Arm Wldt, Front, Rh, Iron Gray	1
6	25735	(000000-) Bushing, Flng, 0.63b 0.75d 0.38l	1
7	71607	(000000-) Bushing, Sleeve, 0.63b 0.72d 0.38l	3
8	64425	(000000-) Washer, Thrust, 0.61b 1.25d .06, Fgl	7
9	01686	(000000-) Washer, Flt, .38 Ss	4
10	386868	(000000-) Screw, Hex, M08x1.25 X12,Ss	4
11	386268	(000000-) Arm Wldt, Rear, Rh	1
11	1056490	(000000-004999) Arm Wldt, Rear, Rh, Iron Gray	1
12	386263	(005000-) Frame Wldt, Sqge, Side, Rh	1
13	386260	(000000-) Squeegee, Side	1
14	386986	(000000-) Guide, Point, Side Sqge	1
15	86759	(000000-) Retainer, Sqge	1
16	386987	(000000-) Pin, Clevis, 0.31d 0.88l	1
17	08085	(000000-) Pin, Hair Cotter, 0.31 D .058 Wir	1
18	87816	(000000-) Spring, Extn, 0.75od X 0.09wir, 2.5l	2
19	386088	(000000-) Bolt, Eye, M8 X 1.25, 2.75l	2
20	07786	(000000-) Nut, Hex, Std, M08 X 1.25, Ss	4
21	41305	(000000-) Pin, Clevis, 0.37 D X 0.75l	2
22	1056875	(000000-) Arm, Latch, Iron Gray	2
23	09744	(000000-) Screw, Hex, M06 X 1.0 X 12, Ss	2
24	01684	(000000-) Washer, Flt, .25 Ss	2
25	17404	(000000-) Pin, Roll, .250 D X 0.75l, .250/.256	2
26	70756	(000000-) Bumper, Rbr, 2.0d 0.75t .38-16	1
27	01692	(000000-) Nut, Hex, Std, .38-16, Ss	1
28	72439	(000000-) Latch	1
29	16949	(000000-) Screw, Hex, .25-20 X 0.75, Sems	4

Fig. 36 - Max Pro 1000 (Cylindrical Brush) Left Side Squeegee Group

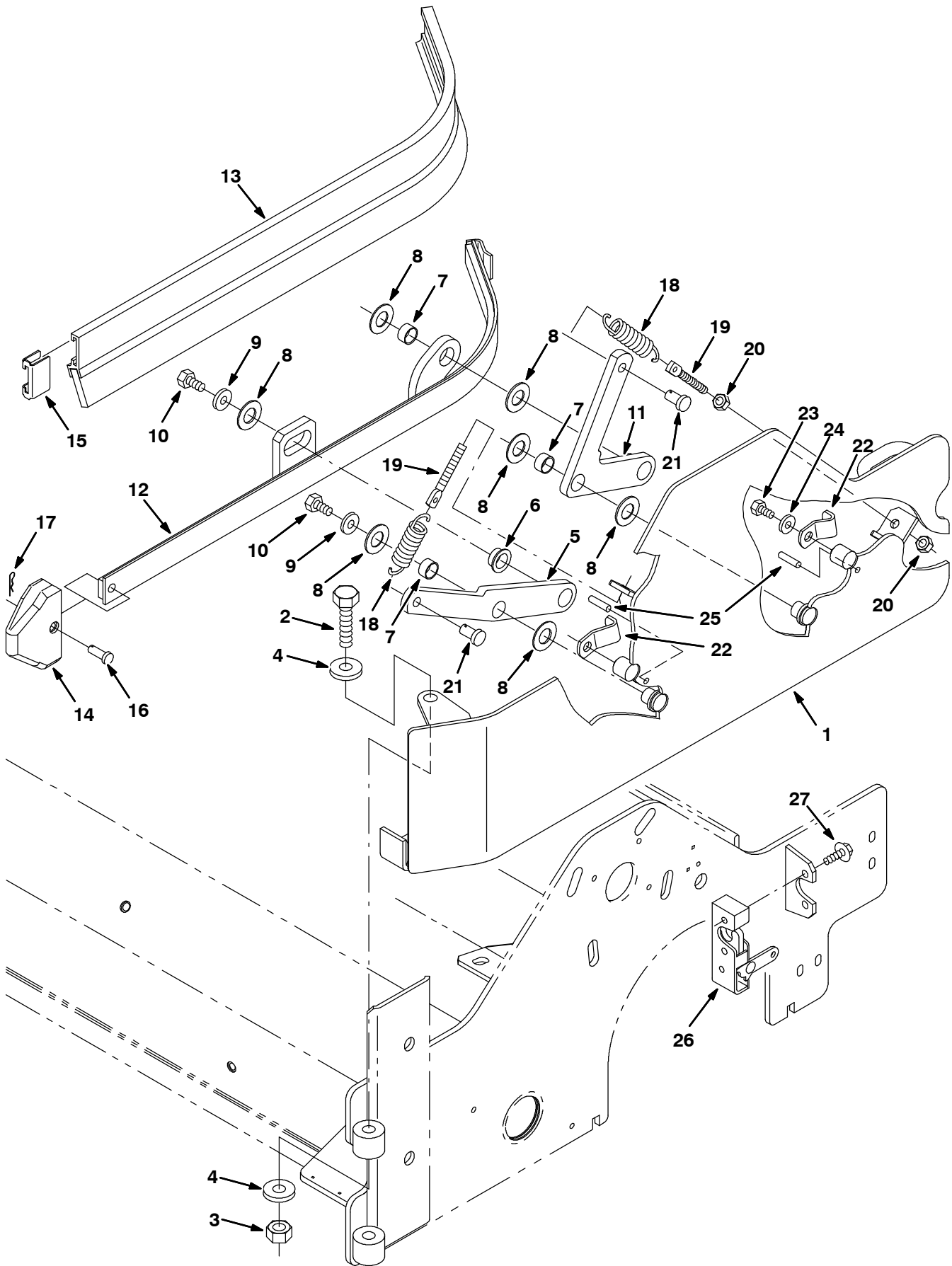


Fig. 36 - Max Pro 1000 (Cylindrical Brush) Left Side Squeegee Group

Ref.	Tennant Part No.	Machine Serial Number	Description	Qty.
1	386496	(000000-004999)	Guard Wldt, Lh	1
1	1056495	(005000-	Guard Wldt, Lh, Iron Gray	1
2	09774	(000000-	Screw, Hex, M12 X 1.75 X 50, Ss	2
3	09741	(000000-	Nut, Hex, Lock, M12 X 1.75,NI, Ss	2
4	33925	(000000-	Washer, Flat, M12, 13x24x2.5ss	4
5	386276	(000000-004999)	Arm Wldt, Front, Lh	1
5	1056493	(005000-	Arm Wldt, Front, Lh, Iron Gray	1
6	25735	(000000-	Bushing, Flng, 0.63b 0.75d 0.38l	1
7	71607	(000000-	Bushing, Sleeve, 0.63b 0.72d 0.38l	3
8	64425	(000000-	Washer, Thrust, 0.61b 1.25d .06, Fgl	7
9	01686	(000000-	Washer, Flt, .38 Ss	4
10	386868	(000000-	Screw, Hex, M08x1.25 X12,Ss	4
11	386275	(000000-004999)	Arm Wldt, Rear, Lh	1
11	1056492	(005000-	Arm Wldt, Rear, Lh, Iron Gray	1
12	386262	(000000-	Frame Wldt, Sqge, Side, Lh	1
13	386260	(000000-	Squeegee, Side	1
14	386986	(000000-	Guide, Point, Side Sqge	1
15	86759	(000000-	Retainer, Sqge	1
16	386987	(000000-	Pin, Clevis, 0.31d 0.88l	1
17	08085	(000000-	Pin, Hair Cotter, 0.31 D .058 Wir	1
18	87816	(000000-	Spring, Extn, 0.75od X 0.09wir, 2.5l	2
19	386088	(000000-	Bolt, Eye, M8 X 1.25, 2.75l	2
20	07786	(000000-	Nut, Hex, Std, M08 X 1.25, Ss	4
21	41305	(000000-	Pin, Clevis, 0.37 D X 0.75l	2
22	1056875	(000000-	Arm, Latch, Iron Gray	2
23	09744	(000000-	Screw, Hex, M06 X 1.0 X 12, Ss	2
24	01684	(000000-	Washer, Flt, .25 Ss	2
25	17404	(000000-	Pin, Roll, .250 D X 0.75l, .250/.256	2
26	59661	(000000-	Latch	1
27	16949	(000000-	Screw, Hex, .25-20 X 0.75, Sems	4

Fig. 37 - Max Pro 1000 (Cylindrical Brush) Debris Tray Group

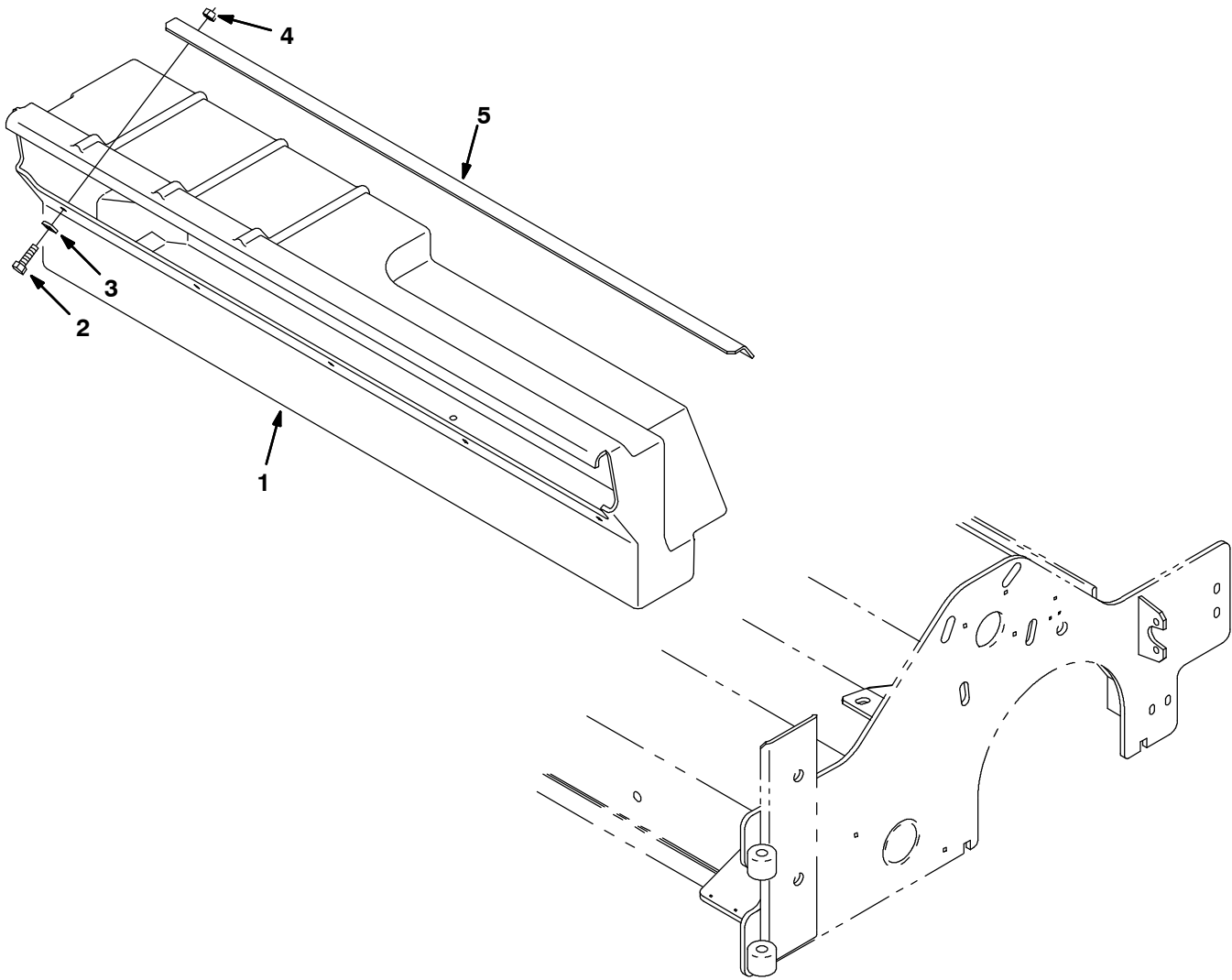


Fig. 37 - Max Pro 1000 (Cylindrical Brush) Debris Tray Group

Ref.	Tennant Part No.	Machine Serial Number	Description	Qty.
1	387671	(000000-) Tray, Debris, 40L, W/Holes	1
2	08716	(000000-) Screw, Hex, M6X1.0X20, Ss	5
3	01684	(000000-) Washer, Flat, 0.25 Ss	5
4	08712	(000000-) Nut, Hex, Lock, M6X1.0, Ss, NI	5
5	1057526	(000000-) Angle, Iron Gray	1

Fig. 38 - Max Pro 1000 (Cylindrical Brush) Vacuumized Debris Tray Group

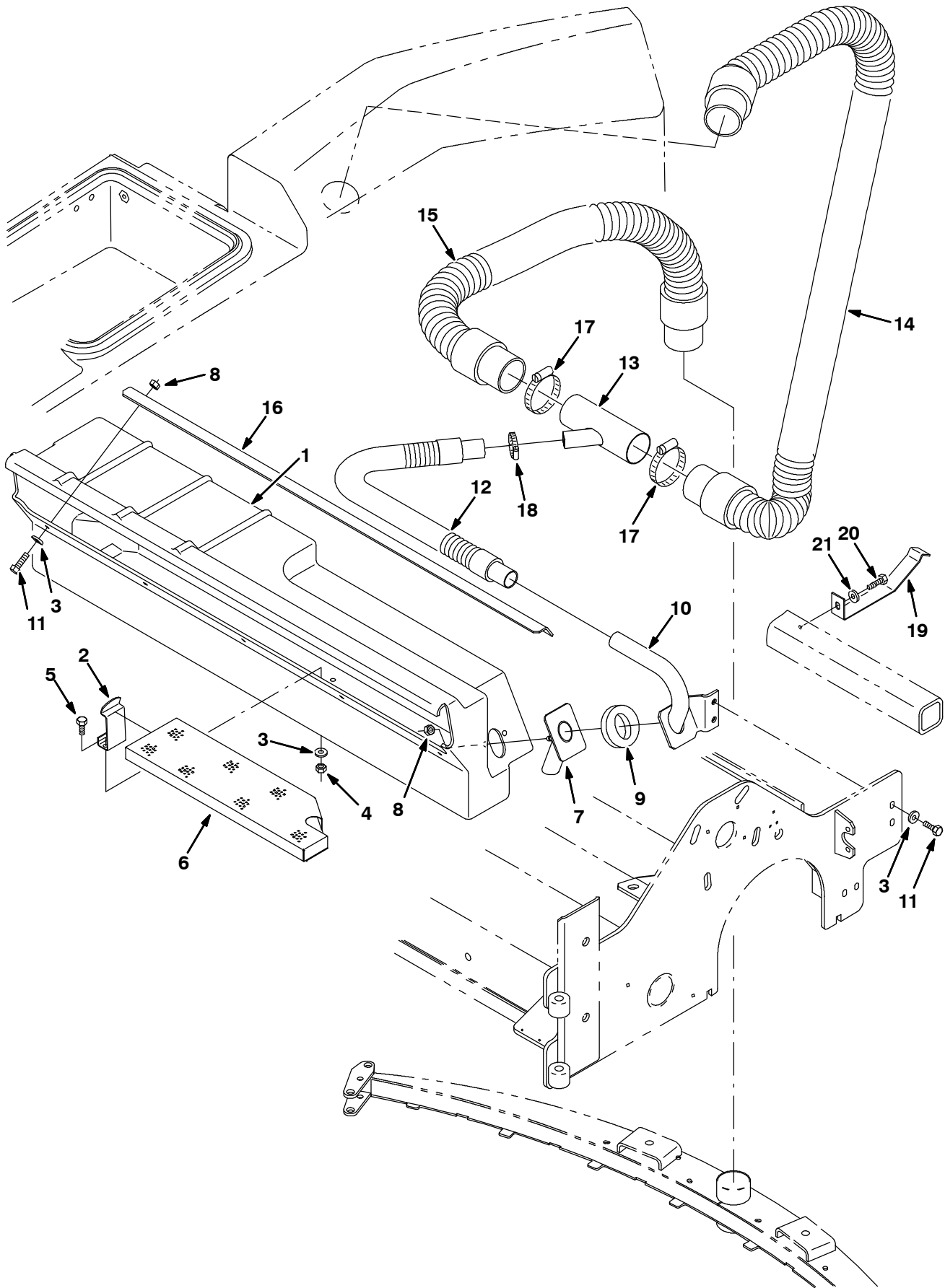


Fig. 38 - Max Pro 1000 (Cylindrical Brush) Vacuumized Debris Tray Group

Ref.	Tennant Part No.	Machine Serial Number	Description	Qty.
1	386282	(000000-) Tray, Debris, 40.0l	1
2	87244	(000000-) Clip, Spring, Prop Arm	1
3	01684	(000000-) Washer, Flt, .25 Ss	14
4	08712	(000000-) Nut, Hex, Lock, M06 X 1.0, NI, Ss	2
5	09744	(000000-) Screw, Hex, M06 X 1.0 X 12, Ss	2
6	386500	(000000-) Screen Wldt	1
7	1057520	(000000-) Tube Wldt, Vacuum, Scrbr Head, Iron Gray	1
8	08712	(000000-) Nut, Hex, Lock, M06 X 1.0, NI, Ss	7
9	386504	(000000-) Gasket, Foam	1
10	1057521	(000000-) Tube Wldt, Upper, Iron Gray	1
11	08716	(000000-) Screw, Hex, M06 X 1.0 X 20, Ss	7
12	222788	(000000-001702) Hose Assy, W/2cuff, 1.0d, 23l	1
12	387517	(001703-) Hose Assy, W/2cuff, 1.0d, 41l	1
13	386518	(000000-) Tube Wldt	1
14	386514	(000000-001702) Hose, Vacuum, 58.5l	1
14	1005133	(001703-) Hose Assy, W/2cuff, 2.0d 75l	1
15	387256	(000000-001702) Hose, Vacuum, 35.0l	1
15	1005135	(001703-) Hose Assy, W/2cuff, 2.0d 26l	1
16	1057526	(000000-) Angle, Iron Gray	1
17	14432	(000000-) Clamp, Hose, Wormdrive, 1.81-2.75d	2
18	11399	(000000-) Clamp, Hose, Wormdrive, 0.81-1.50d	1
19	1002464	(001703-) Bracket, Tube , Tee	1
20	361339	(001703-) Screw, Hex, M 6 X 1.0 X 16, Fmg	1
21	32483	(001703-) Washer, Flat, 0.25 Sae	1

Fig. 39 - Max Pro 1200 (Cylindrical Brush) Scrub Head Frame and Linkage Group

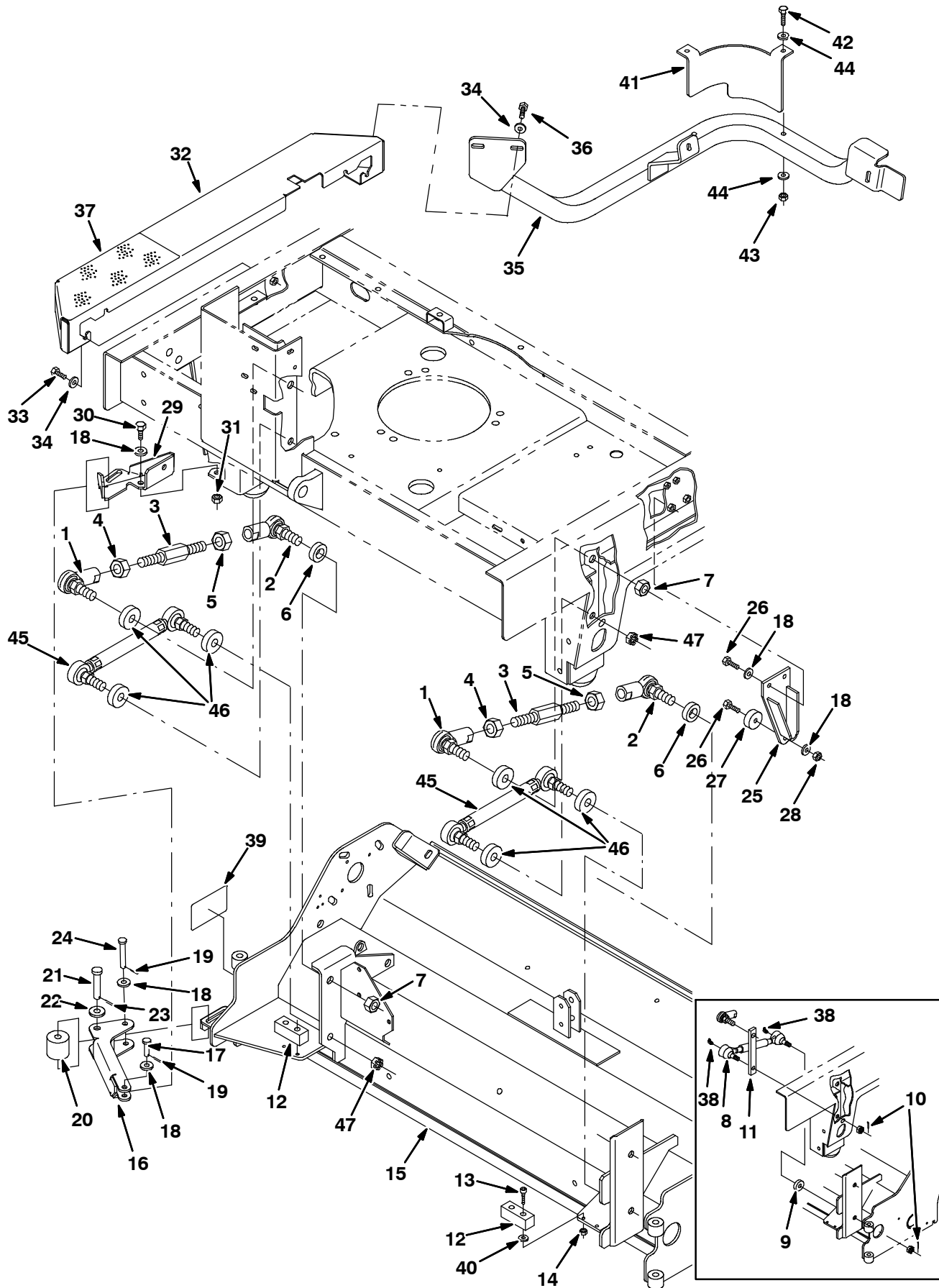


Fig. 39 - Max Pro 1200 (Cylindrical Brush) Scrub Head Frame and Linkage Group

Ref.	Tennant Part No.	Machine Serial Number	Description	Qty.	
1	77275	(000000-	Rod-End, .62-18rh Fem 0.50-18stud	2	
2	386070	(000000-	Rod-End, .625-18, Lh	2	
3	386071	(000000-	Rod, Link	2	
4	77276	(000000-	Nut, Hex, Jam, .62-18, Ss	2	
5	77277	(000000-	Nut, Hex, Jam, .62-18, Ss, Lh	2	
6	386081	(000000-	Spacer, Rod-End	2	
7	40814	(000000-	Nut, Hex, Lock, .62-18, NI, Thin	4	
8	363113	(000000-003695	Link Wldt, Head, Drag (Replaced by 9005751)	2	
9	14524	(000000-003695	Spacer, Washer	2	
10	08346	(000000-003695	Pin, Cotter, .125 X 0.75	4	
11	386844	(000000-003695	Spacer, Plate	2	
12	386865	(000000-	Bumper	2	
13	24198	(000000-	Screw, Pan, M05 X 0.8 X 25, Ss	4	
14	09739	(000000-	Nut, Hex, Lock, M05 X 0.8, NI, Ss	4	
15	1056903	(000000-	Housing Wldt, Brush, Iron Gray	1	
16	1001099	(000000-004999	Guard, Kick In, Scb Head	1	
16	1056390	(005000-	Guard, Kick In, Scb Head, Iron Gray	1	
17	29557	(000000-	Pin, Clevis, 0.37 D X 1.31l	1	
18	01686	(000000-	Washer, Flt, .38 Ss	7	
19	39005	(000000-	Pin, Cotter, .094 X 0.75	2	
20	72946	(000000-	Roller	1	
21	06279	(000000-	Pin, Clevis, 0.50 D X 2.50l	1	
22	32493	(000000-	Washer, Flt, .50 Std	1	
23	08182	(000000-	Pin, Cotter, .125 X 1.00	1	
24	365180	(000000-	Pin, Clevis, 0.38 D X 2.50l	1	
25	1056494	(000000-	Plate Wldt, Stop, Iron Gray	2	
26	09010	(000000-	Screw, Hex, M08 X 1.25 X 25, Ss	3	
27	15023	(000000-	Bumper, Pye	1	
28	08713	(000000-	Nut, Hex, Lock, M08 X 1.25, NI, Ss	1	
29	386876	(000000-004999	Bracket, Adaptor, Mtg, Kick In, Frame	1	
29	1056505	(005000-	Bracket, Adapter, Mtg, Kick In, Frame	1	
30	09028	(000000-	Screw, Hex, M10 X 1.5 X 25, Ss	1	
31	08714	(000000-	Nut, Hex, Lock, M10 X 1.5, NI, Ss	1	
32	386827	(000000-004999	Bumper, Side, Scb Head, Wide	1	
32	1056681	(005000-	Bumper, Side, Scb Head, Wide, Iron Gray	1	
33	09740	(000000-	Screw, Hex, M08 X 1.25 X 20, Ss	4	
34	01685	(000000-	Screw, Hex, M08 X 1.25 X 20, Ss	8	
35	387245	(000000-004999	Guard Wldt, Sqge (MP 20)	1	
35	1056517	(005000-	Guard Wldt, Sqge, Rear, Gray	1	
36	09010	(000000-	Screw, Hex, M08 X 1.25 X 25, Ss	4	
37	387080	(000000-	Tread, Floor, 12.5 X 5.75	1	
38	09718	(000000-003695	Fitting, Grease, E90 Pm04 .75L	4	
39	365156	(000000-	Label Set, Info/Hzrd, [Max Pro]	1	
40	13248	(000000-	Washer, 0.40B 1.12D .12, Stl, Pl	4	
▽	374250	(000000-004999	Guard Kit, Sqge, Rear, Ci [7300/8300]	1	
▲	41	1007486	(000000-004999	Guard, Bumper	1
▲	42	39278	(000000-004999	Screw, Hex, M8 X 1.25 X 50, 8.8	2
▲	43	08713	(000000-004999	Nut, Hex, Lock, M8 X 1.25, NI, Ss	2
▲	44	32491	(000000-004999	Washer, Flat, 0.31, Std	4
▽	9006924	(005000-	Guard Kit, Sqge, Rear, Iron Gray, Ci	1	
▲	41	1057073	(005000-	Guard, Bumper	1
▲	42	39278	(005000-	Screw, Hex, M8 X 1.25 X 50, 8.8	2
▲	43	08713	(005000-	Nut, Hex, Lock, M8 X 1.25, NI, Ss	2
▲	44	32491	(005000-	Washer, Flat, 0.31, Std	4
45	1050193	(000000-	Link Assy, Rod-End, .63-18	2	
46	386081	(000000-	Tube, 0.69ld 1.25Od 00.4L, Blk, Rod-End	6	
47	40814	(000000-	Nut, Hex, Lock, .62-18, NI, Thin	4	

Fig. 40 - Max Pro 1200 (Cylindrical Brush) Scrub Head Drive Group

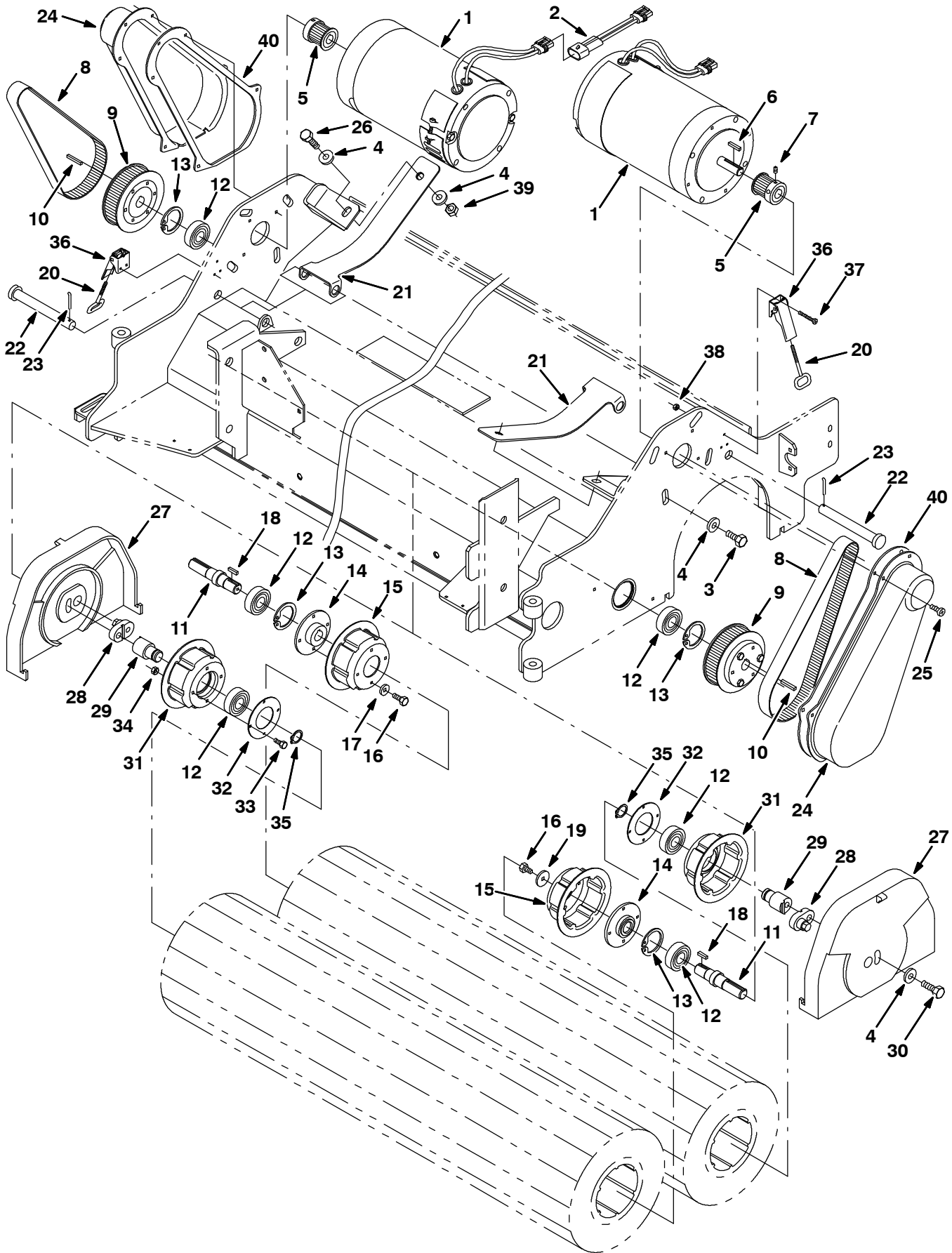


Fig. 40 - Max Pro 1200 (Cylindrical Brush) Scrub Head Drive Group

Ref.	Tennant Part No.	Machine Serial Number	Description	Qty.	
1	386050	(000000-002093)	Motor, Ele, 36vdc 1500rpm 1.5hp (See Breakdown) (Repl By 377398AM)	2	
▽	1	377398	(002094-)	Motor, Ele, 36vdc 1.50hp 1500rpm 43.0a	2
▲	621478	(002094-)	Brush, Carbon	2	
2	363468	(000000-)	Wire Assy, Jumper Reverse, [515]	1	
3	09291	(000000-)	Screw, Hex, M10 X 1.5 X 20, Ss	8	
4	01686	(000000-)	Washer, Flt, .38 Ss	14	
5	83052	(000000-)	Sprocket, Timing, 23tooth, 0.625b	2	
6	00912	(000000-)	Key, Sq, 0.19 X 0.19, 01.00l	2	
7	39323	(000000-)	Screw, Set, #10-32 X 0.38, Al	4	
8	386053	(000000-)	Belt, Drive (Cylindrical Brush)	2	
9	375301	(000000-)	Sprocket, Timing, 4.261pd, 68 Grv, Pl	2	
10	00918	(000000-)	Key, Sq, 0.19 X 0.19, 01.25l	2	
11	386058	(000000-)	Shaft, Drive, Brush	2	
12	46390	(000000-)	Bearing, Ball, 0.79b 1.85d 0.55w	6	
13	10464	(000000-)	Ring, Retaining, Int, 1.85d, Basic	4	
14	1056846	(000000-)	Hub Wldt, Drive, Brush, Iron Gray	2	
15	1056847	(000000-)	Plug, Drive, Brush, Spl, Iron Gray	2	
16	15678	(000000-)	Screw, Hex, M06 X 1.0 X 16, Ss	10	
17	01684	(000000-)	Washer, Flt, .25 Ss	8	
18	00911	(000000-)	Key, Sq, 0.19 X 0.19, 00.75l	2	
19	386063	(000000-)	Washer, 0.25b 1.12d .12, Ss	2	
20	386274	(000000-)	Hook Wldt, Latch	2	
21	1057089	(000000-)	Spring, Motor, Iron Gray	2	
22	386072	(000000-)	Pin, Clevis, .625 Dia X 5.25l	2	
23	02942	(000000-)	Pin, Hair Cotter, 0.62 D .120 Wir	2	
24	386066	(000000-)	Cover, Drive	2	
25	48732	(000000-)	Screw, Pan, M06 X 1.0 X 10, Ss	10	
26	12317	(000000-)	Screw, Hex, M10 X 1.5 X 30, Ss	2	
27	386080	(000000-)	Cover, Idler	2	
28	386841	(000000-)	Cam, Front	2	
29	386842	(000000-)	Cam, Rear	2	
30	12317	(000000-)	Screw, Hex, M10 X 1.5 X 30, Ss	2	
31	81771	(000000-)	Plug, Drive, Brush, Splined	2	
32	1056838	(000000-)	Retainer, Brg, Iron Gray	2	
33	09738	(000000-)	Screw, Hex, M05 X 0.8 X 12, Ss	8	
34	06549	(000000-)	Nut, Hex, Lock, M05 X 0.8, NI	8	
35	26428	(000000-)	Ring, Retaining, Ext, 0.75d, Hd	2	
36	386257	(000000-)	Latch	2	
37	09198	(000000-)	Screw, Pan, M04 X 0.7 X 35, Ss	6	
38	33932	(000000-)	Nut, Hex, Lock, M04 X 0.7, NI, Ss	6	
39	08714	(000000-)	Nut, Hex, Lock, M10 X 1.5, NI, SS	2	
40	1001062	(000000-)	Gasket, Cover	2	

Fig. 41 - Max Pro 1200 (Cylindrical Brush) Solution Valve Group

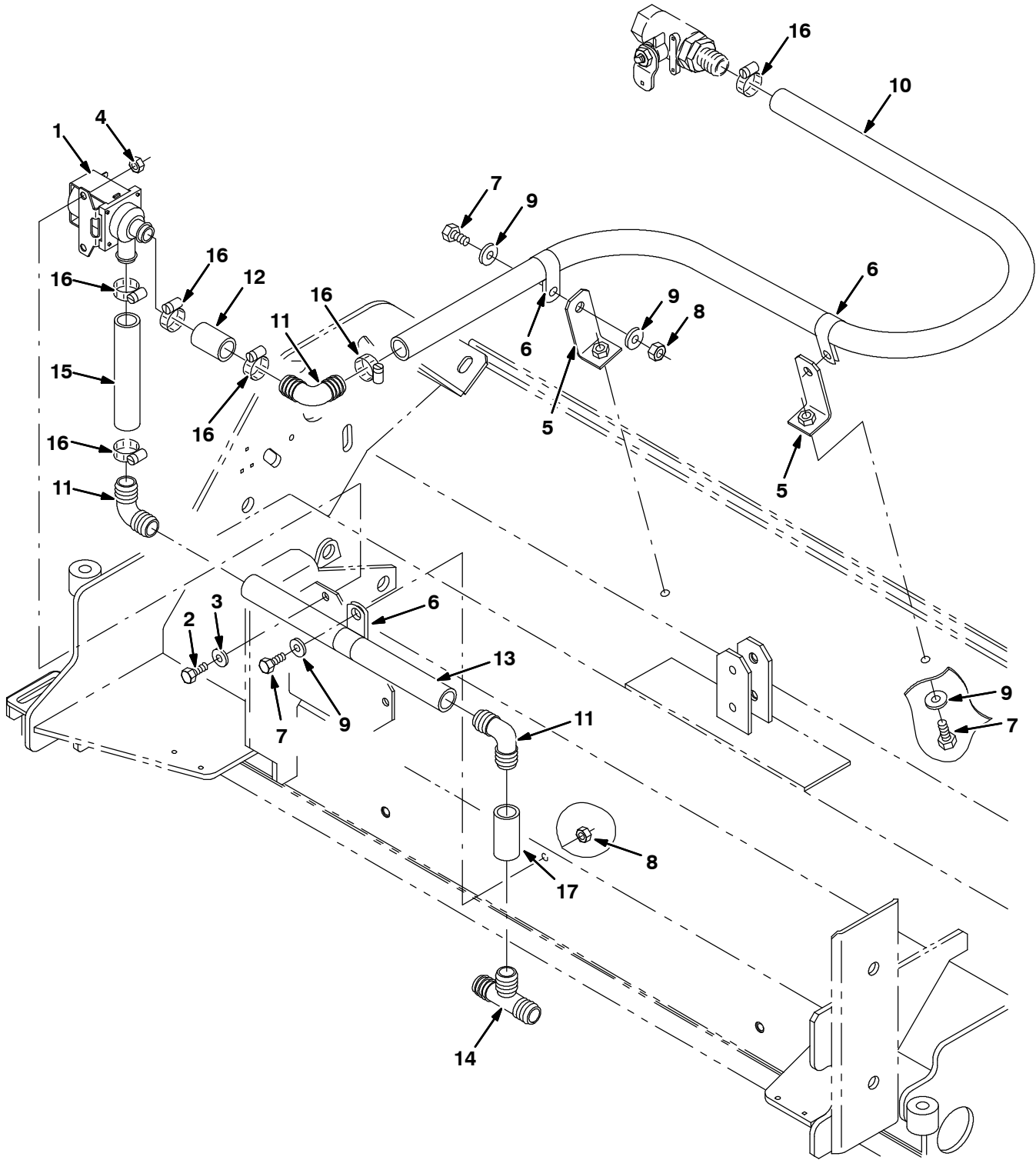


Fig. 41 - Max Pro 1200 (Cylindrical Brush) Solution Valve Group

Ref.	Tennant Part No.	Machine Serial Number	Description	Qty.
1	84028	(000000-) Valve, Water	1
2	15678	(000000-) Screw, Hex, M06 X 1.0 X 16, Ss	2
3	01684	(000000-) Washer, Flt, .25 Ss	2
4	08712	(000000-) Nut, Hex, Lock, M06 X 1.0, NI, Ss	2
5	1056873	(000000-) Angle, Iron Gray	2
6	69234	(000000-) Clamp, Cable, Stl, 1.00d X 0.62w, 1h	3
7	15675	(000000-) Screw, Hex, M08 X 1.25 X 16, Ss	7
8	08709	(000000-) Nut, Hex, Lock, M08 X 1.25,NI	5
9	01685	(000000-) Washer, Flt, .31 Ss	9
10	73474	(000000-) Hose, Pvc, Brd, 0.75id 1.00od 44.50l	1
11	40566	(000000-) Fitting, Plstc, E90, Bm12/Bm12	3
12	364899	(000000-) Hose, Pvc, Brd, 0.75id 1.03od 01.50l	1
13	364896	(000000-) Hose, Pvc, Brd, 0.75id 1.03od 11.00l	1
14	41315	(000000-) Fitting, Plstc, Tee, Bm12/Bm12/Bm12	1
15	364895	(000000-) Hose, Pvc, Brd, 0.75id 1.03od 05.00l	1
16	11399	(000000-) Clamp, Hose, Wormdrive, 0.81-1.50d	6
17	16914	(000000-) Hose, Pvc, Brd, 0.75id 1.00od 2.00l	1

OPTIONS

Fig. 42 - Max Pro 1200 (Cylindrical Brush) Solution Valve Group (FaST/ec-H2O)

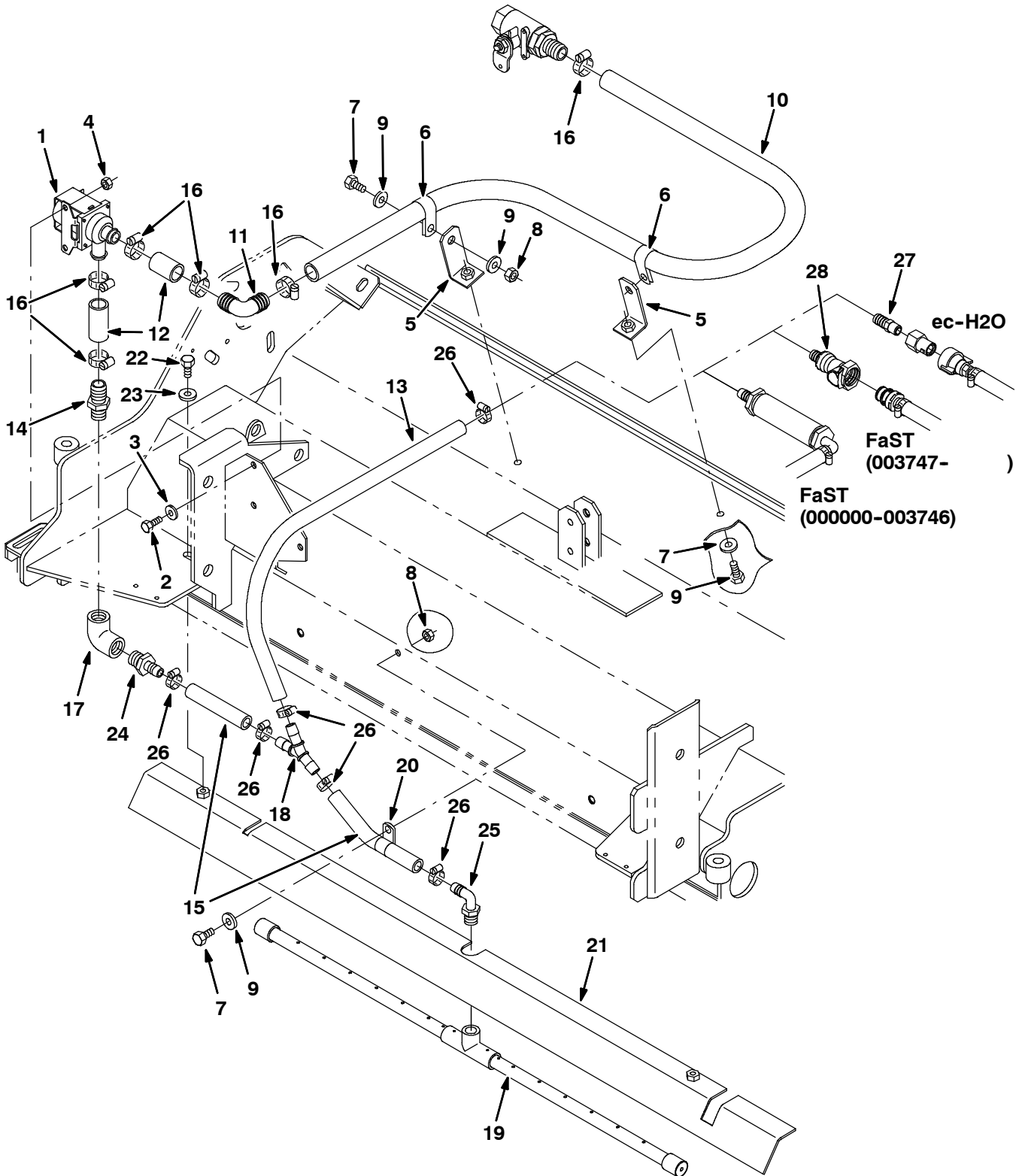


Fig. 42 - Max Pro 1200 (Cylindrical Brush) Solution Valve Group (FaST/ec-H2O)

Ref.	Tennant Part No.	Machine Serial Number	Description	Qty.
1	84028	(000000-) Valve, Water	1
2	15678	(000000-) Screw, Hex, M06 X 1.0 X 16, Ss	2
3	01684	(000000-) Washer, Flt, .25 Ss	2
4	08712	(000000-) Nut, Hex, Lock, M06 X 1.0, NI, Ss	2
5	1056873	(000000-) Angle, Iron Gray	2
6	69234	(000000-) Clamp, Cable, Stl, 1.00d X 0.62w, 1h	2
7	15675	(000000-) Screw, Hex, M08 X 1.25 X 16, Ss	5
8	08709	(000000-) Nut, Hex, Lock, M08 X 1.25,NI	3
9	01685	(000000-) Washer, Flt, .31 Ss	7
10	1015045	(000000-) Hose, Afmkt, Pvc, Brd 0.75id 8 Ft	1
11	40566	(000000-) Fitting, Plstc, E90, Bm12/Bm12	3
12	1015048	(000000-) Hose, Afmkt, Pvc, Brd 0.75id 1 Ft	1
13	1011521	(000000-) Hose, Afmkt Replmt, Pvc, Brd 0.50id 2 Ft	1
14	78398	(000000-) Fitting, Plstc, Str, Bm12/Pm08, Nyl	1
15	1011403	(000000-) Hose, Afmkt Replmt, Pvc, Brd 0.50id 1 Ft	1
16	11399	(000000-) Clamp, Hose, Wormdrive, 0.81-1.50d	6
17	79572	(000000-) Fitting, Plstc, E90, Pf08/Pf08	1
18	1010668	(000000-) Fitting, Plstc, Y, Bm08/Bm08/Bm08 Nyl	1
19	1010832	(000000-) Bar Assy, Spray [7300/8300]	1
20	07471	(000000-) Clamp, Cable, Stl, 0.75d X 0.75w, 1h	1
21	1057530	(000000-) Bracket, Bar, Spray, 48.0 [7300/8300]	1
22	49826	(000000-) Screw, Hex, M8 X 1.25 X 16, Ss, NI	2
23	32492	(000000-) Washer, Flat, 0.38 Std	2
24	79273-4	(000000-) Fitting, Plstc, Str, Bm08/Pm08	1
25	64778	(000000-) Fitting, Plstc, E90, Bm08/Pm06	1
26	54333	(000000-) Clamp, Hose, Wormdrive, 0.31-0.88d	6
27	48610	(000000-) Fitting, Plstc, Str, Bm08/Pm04 (ec-H2O)	1
28	1017413	(003747-) Housing, Cplg, Qf / Pm08 (FaST)	1

Fig. 43 - Max Pro 1200 (Cylindrical Brush) Edge Scrub Group

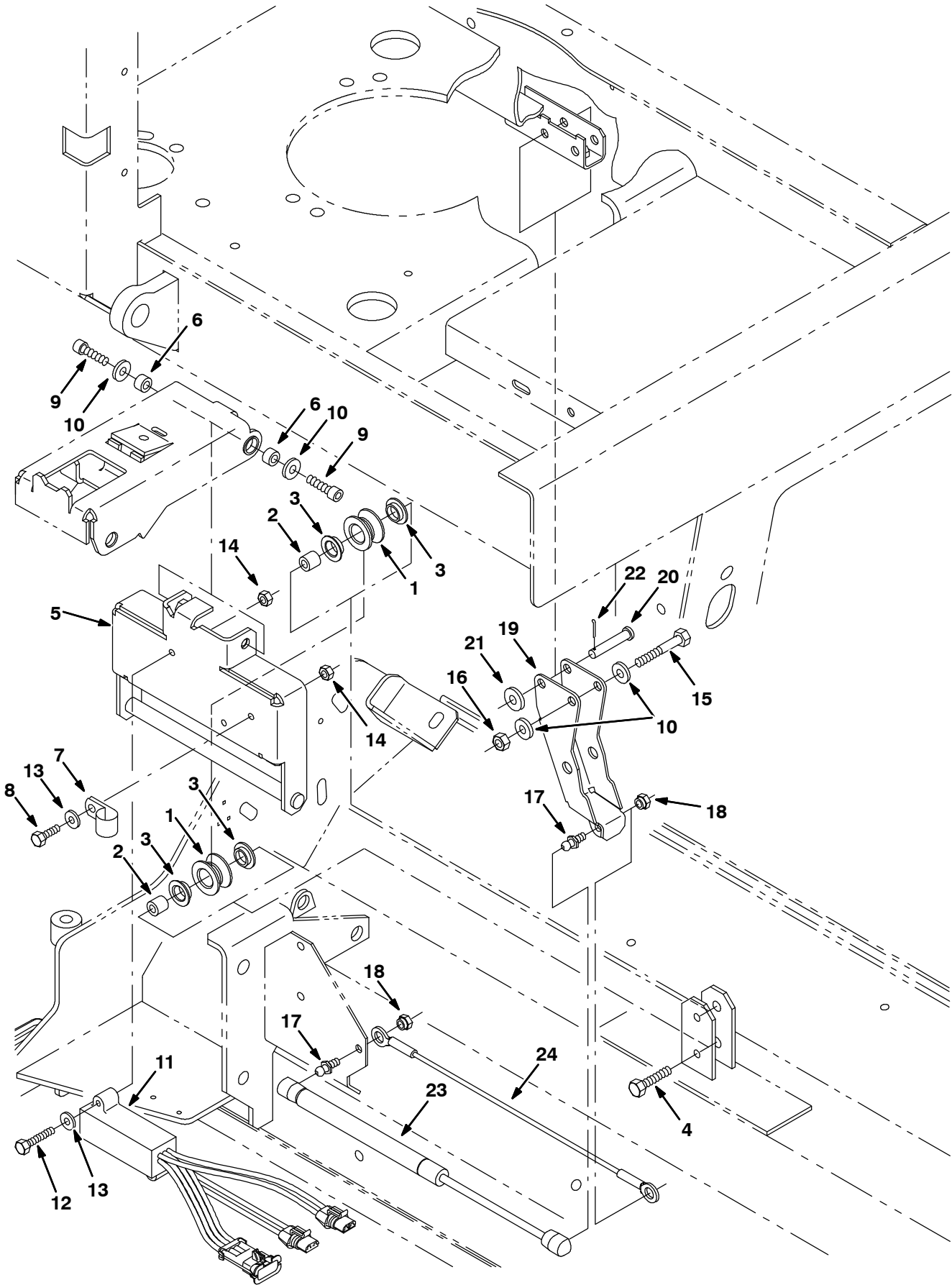


Fig. 43 - Max Pro 1200 (Cylindrical Brush) Edge Scrub Group

Ref.	Tennant Part No.	Machine Serial Number	Description	Qty.
1	363120	(000000-) Roller	2
2	222277	(000000-) Sleeve	2
3	04843	(000000-) Bushing, Flng, 0.63b 0.72d 0.25l	4
4	222505	(000000-) Screw, Hex, M08 X 1.25 X 45, Ss	2
5	1056843	(000000-) Rail Wldt, Lift, Cyl Head, Iron Gray	1
6	222556	(000000-) Sleeve	2
7	67767	(000000-) Clamp, Cable, Stl, 0.69d X 0.62w, 1h	1
8	08716	(000000-) Screw, Hex, M06 X 1.0 X 20, Ss	1
9	39308	(000000-) Screw, Soc, M08 X 1.25 X 25, 12.9	2
10	01685	(000000-) Washer, Flt, .31 Ss	4
11	363237	(000000-) Shunt, 2Hd Mtrs, Scrub 515, Red	1
12	33930	(000000-) Screw, Hex, M06 X 1.0 X 40, Ss	2
13	01684	(000000-) Washer, Flt, .25 Ss	3
14	08712	(000000-) Nut, Hex, Lock, M06 X 1.0, NI, Ss	3
15	77270	(000000-) Screw, Hex, M08 X 1.25 X 60, Ss	1
16	08713	(000000-) Nut, Hex, Lock, M08 X 1.25,NI, Ss	1
17	58494	(000000-) Stud, Ball, .39d .31-16, Gasspring	2
18	14725	(000000-) Nut, Retainer, .31-18	2
19	1056845	(000000-) Arm Wldt, Pivot, Side, Gray [7300/8300]	1
20	29584	(000000-) Pin, Clevis, 0.37 D X 2.00l	1
21	01686	(000000-) Washer, Flt, .38 Ss	1
22	39005	(000000-) Pin, Cotter, .094 X 0.75	1
23	364858	(000000-) Gasspring, 56lb, 6.3strk	1
24	364404	(000000-) Cable, .13d, 15.5l, .50eye /.50eye	1

Fig. 44 - Max Pro 1200 (Cylindrical Brush) Right Side Squeegee Group

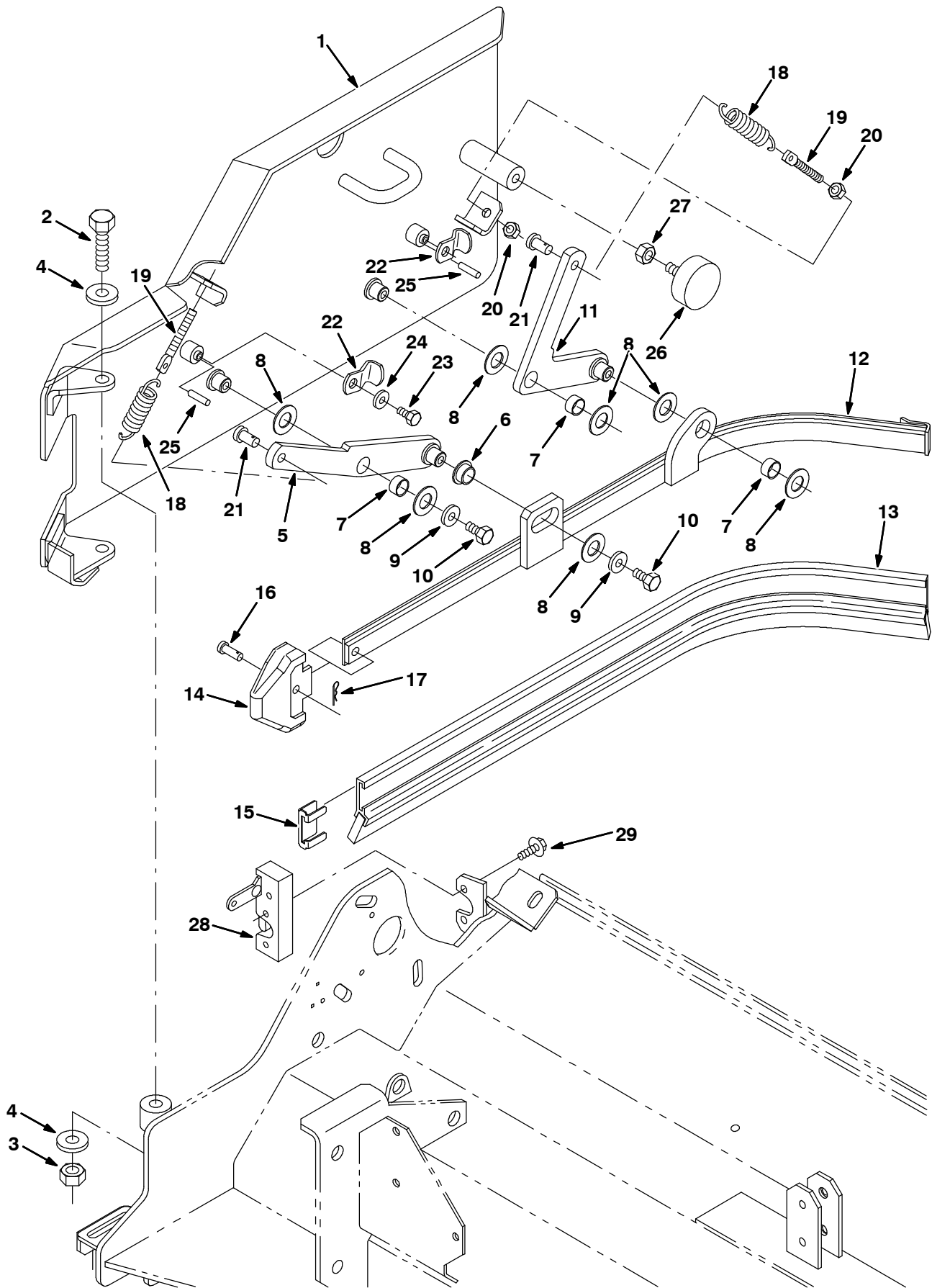


Fig. 44 - Max Pro 1200 (Cylindrical Brush) Right Side Squeegee Group

Ref.	Tennant Part No.	Machine Serial Number	Description	Qty.
1	387271	(000000-004999)	Guard Wldt, Rh, [Mp1200]	1
1	1056800	(005000-	Guard Wldt, Rh, Iron Gray	1
2	09774	(000000-	Screw, Hex, M12 X 1.75 X 50, Ss	2
3	09741	(000000-	Nut, Hex, Lock, M12 X 1.75,NI, Ss	2
4	33925	(000000-	Washer, Flat, M12, 13x24x2.5ss	4
5	386269	(000000-004999)	Arm Wldt, Front, Rh	1
5	1056491	(005000-	Arm Wldt, Front, Rh, Iron Gray	1
6	25735	(000000-	Bushing, Flng, 0.63b 0.75d 0.38l	1
7	71607	(000000-	Bushing, Sleeve, 0.63b 0.72d 0.38l	3
8	64425	(000000-	Washer, Thrust, 0.61b 1.25d .06, Fgl	7
9	01686	(000000-	Washer, Flt, .38 Ss	4
10	386868	(000000-	Screw, Hex, M08x1.25 X12,Ss	4
11	386268	(000000-004999)	Arm Wldt, Rear, Rh	1
11	1056490	(005000-	Arm Wldt, Rear, Rh, Iron Gray	1
12	386263	(000000-	Frame Wldt, Sqge, Side, Rh	1
13	386260	(000000-	Squeegee, Side	1
14	386986	(000000-	Guide, Point, Side Sqge	1
15	86759	(000000-	Retainer, Sqge	1
16	386987	(000000-	Pin, Clevis, 0.31d 0.88l	1
17	08085	(000000-	Pin, Hair Cotter, 0.31 D .058 Wir	1
18	87816	(000000-	Spring, Extn, 0.75od X 0.09wir, 2.5l	2
19	386088	(000000-	Bolt, Eye, M8 X 1.25, 2.75l	2
20	07786	(000000-	Nut, Hex, Std, M08 X 1.25, Ss	4
21	41305	(000000-	Pin, Clevis, 0.37 D X 0.75l	2
22	1056875	(000000-	Arm, Latch, Iron Gray	2
23	09744	(000000-	Screw, Hex, M06 X 1.0 X 12, Ss	2
24	01684	(000000-	Washer, Flt, .25 Ss	2
25	17404	(000000-	Pin, Roll, .250 D X 0.75l, .250/.256	2
26	70756	(000000-	Bumper, Rbr, 2.0d 0.75t .38-16	1
27	01692	(000000-	Nut, Hex, Std, .38-16, Ss	1
28	72439	(000000-	Latch	1
29	16949	(000000-	Screw, Hex, .25-20 X 0.75, Sems	4

Fig. 45 - Max Pro 1200 (Cylindrical Brush) Left Side Squeegee Group

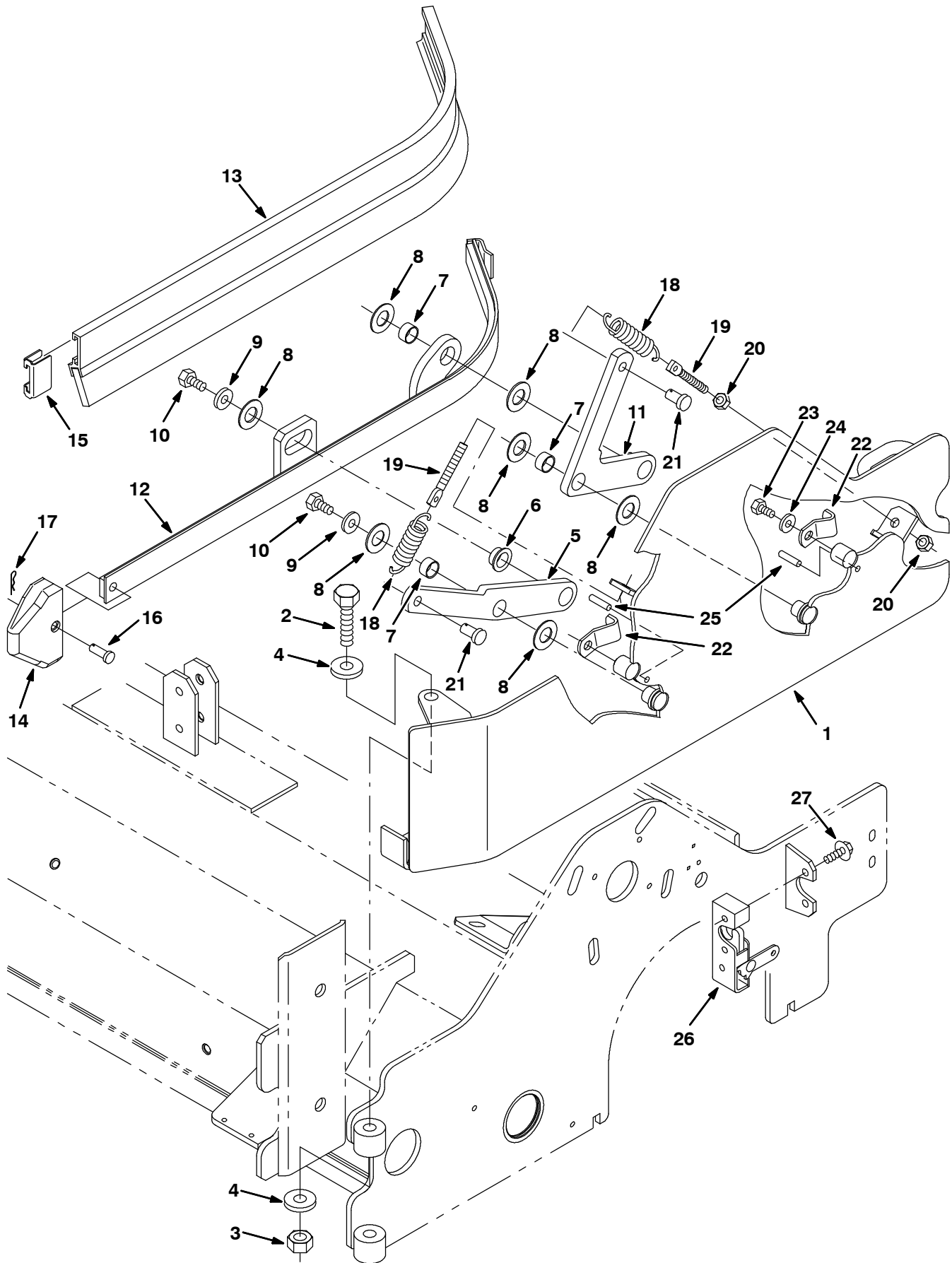


Fig. 45 - Max Pro 1200 (Cylindrical Brush) Left Side Squeegee Group

Ref.	Tennant Part No.	Machine Serial Number	Description	Qty.
1	386496	(000000-004999)	Guard Wldt, Lh	1
1	1056495	(005000-	Guard Wldt, Lh, Iron Gray	1
2	09774	(000000-	Screw, Hex, M12 X 1.75 X 50, Ss	2
3	09741	(000000-	Nut, Hex, Lock, M12 X 1.75,Nl, Ss	2
4	33925	(000000-	Washer, Flat, M12, 13x24x2.5ss	4
5	386276	(000000-004999)	Arm Wldt, Front, Lh	1
5	1056493	(005000-	Arm Wldt, Front, Lh, Iron Gray	1
6	25735	(000000-	Bushing, FIng, 0.63b 0.75d 0.38l	1
7	71607	(000000-	Bushing, Sleeve, 0.63b 0.72d 0.38l	3
8	64425	(000000-	Washer, Thrust, 0.61b 1.25d .06, Fgl	7
9	01686	(000000-	Washer, Flt, .38 Ss	4
10	386868	(000000-	Screw, Hex, M08x1.25 X12,Ss	4
11	386275	(000000-004999)	Arm Wldt, Rear, Lh	1
11	1056492	(005000-	Arm Wldt, Rear, Lh, Iron Gray	1
12	386262	(000000-	Frame Wldt, Sqge, Side, Lh	1
13	386260	(000000-	Squeegee, Side	1
14	386986	(000000-	Guide, Point, Side Sqge	1
15	86759	(000000-	Retainer, Sqge	1
16	386987	(000000-	Pin, Clevis, 0.31d 0.88l	1
17	08085	(000000-	Pin, Hair Cotter, 0.31 D .058 Wir	1
18	87816	(000000-	Spring, Extn, 0.75od X 0.09wir, 2.5l	2
19	386088	(000000-	Bolt, Eye, M8 X 1.25, 2.75l	2
20	07786	(000000-	Nut, Hex, Std, M08 X 1.25, Ss	4
21	41305	(000000-	Pin, Clevis, 0.37 D X 0.75l	2
22	1056875	(000000-	Arm, Latch, Iron Gray	2
23	09744	(000000-	Screw, Hex, M06 X 1.0 X 12, Ss	2
24	01684	(000000-	Washer, Flt, .25 Ss	2
25	17404	(000000-	Pin, Roll, .250 D X 0.75l, .250/.256	2
26	59661	(000000-	Latch	1
27	16949	(000000-	Screw, Hex, .25-20 X 0.75, Sems	4

Fig. 46 - Max Pro 1200 (Cylindrical Brush) Debris Tray Group

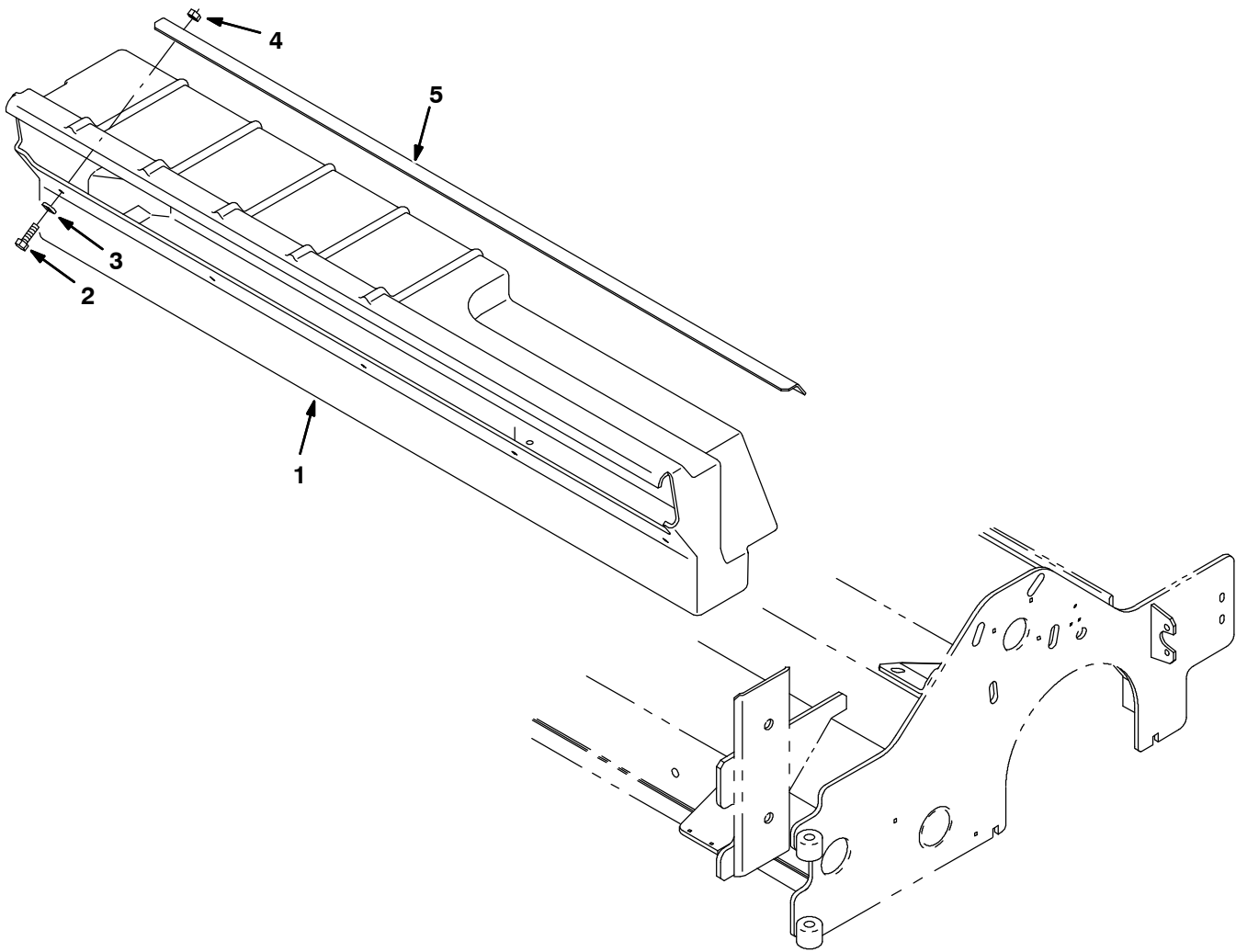


Fig. 46 - Max Pro 1200 (Cylindrical Brush) Debris Tray Group

Ref.	Tennant Part No.	Machine Serial Number	Description	Qty.
1	387672	(000000-) Tray, Debris, 48L, W/Holes	1
2	08716	(000000-) Screw, Hex, M6X1.0X20, Ss	5
3	01684	(000000-) Washer, Flat, 0.25 Ss	5
4	08712	(000000-) Nut, Hex, Lock, M6X1.0, Ss, NI	5
5	1057527	(000000-) Angle, Iron Gray	1

Fig. 47 - Max Pro 1200 (Cylindrical Brush) Vacuumized Debris Tray Group

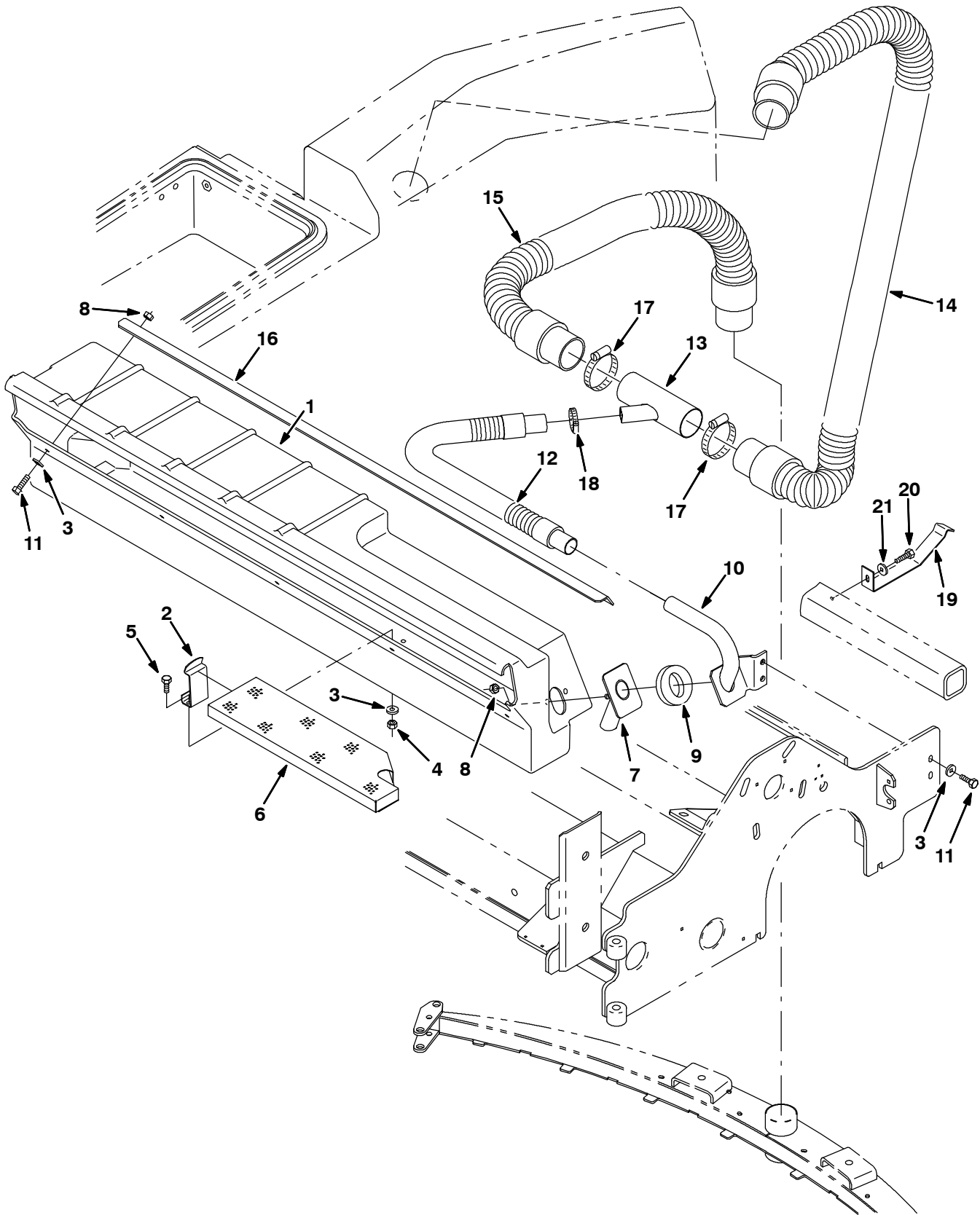


Fig. 47 - Max Pro 1200 (Cylindrical Brush) Vacuumized Debris Tray Group

Ref.	Tennant Part No.	Machine Serial Number	Description	Qty.
1	386513	(000000-) Tray, Debris, 48.0l	1
2	87244	(000000-) Clip, Spring, Prop Arm	1
3	01684	(000000-) Washer, Flt, .25 Ss	14
4	08712	(000000-) Nut, Hex, Lock, M06 X 1.0, NI, Ss	2
5	09744	(000000-) Screw, Hex, M06 X 1.0 X 12, Ss	2
6	386500	(000000-) Screen Wldt	1
7	1057520	(000000-) Tube Wldt, Vacuum, Scrbr Head, Iron Gray	1
8	08712	(000000-) Nut, Hex, Lock, M06 X 1.0, NI, Ss	7
9	386504	(000000-) Gasket, Foam	1
10	1057521	(000000-) Tube Wldt, Upper, Iron Gray	1
11	08716	(000000-) Screw, Hex, M06 X 1.0 X 20, Ss	7
12	222788	(000000-001702) Hose Assy, W/2cuff, 1.0d, 23l	1
12	387517	(001703-) Hose Assy, W/2cuff, 1.0d, 41l	1
13	386518	(000000-) Tube Wldt	1
14	386514	(000000-001702) Hose, Vacuum, 58.5l	1
14	1005133	(001703-) Hose Assy, W/2cuff, 2.0d 75l	1
15	387256	(000000-001702) Hose, Vacuum, 35.0l	1
15	1005135	(001703-) Hose Assy, W/2cuff, 2.0d 26l	1
16	1057527	(000000-) Angle, Iron Gray	1
17	14432	(000000-) Clamp, Hose, Wormdrive, 1.81-2.75d	2
18	11399	(000000-) Clamp, Hose, Wormdrive, 0.81-1.50d	1
19	1002464	(001703-) Bracket, Tube , Tee	1
20	361339	(001703-) Screw, Hex, M 6 X 1.0 X 16, Fmg	1
21	32483	(001703-) Washer, Flat, 0.25 Sae	1

Fig. 48 - ES Pump Group

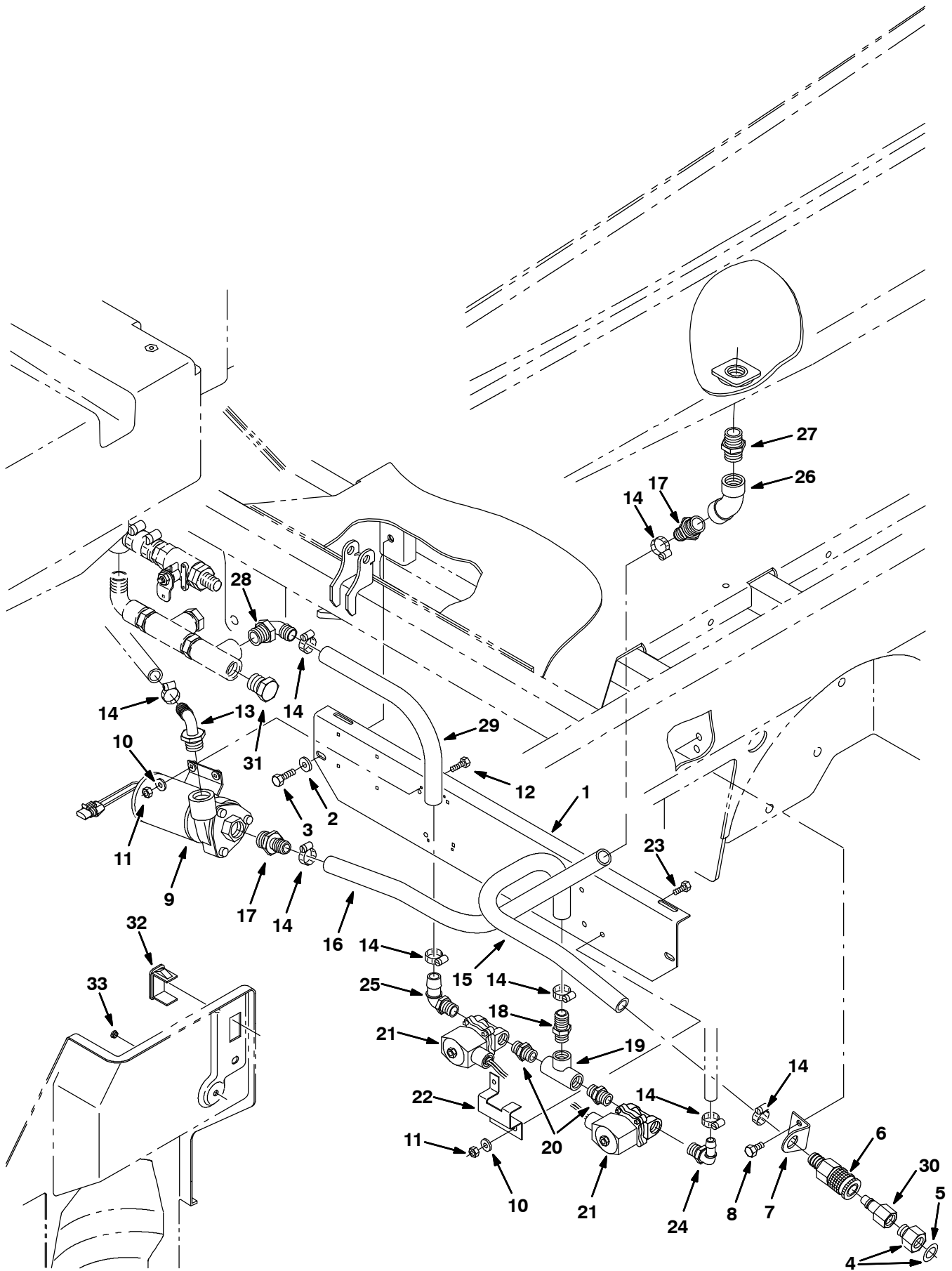


Fig. 48 - ES Pump Group

NOTE: ES™ Kit, TENNANT Part Number 386557, includes Fig. 48, Fig. 49, and Fig. 50.

Ref.	Tennant Part No.	Machine Serial Number	Description	Qty.
1	1056864	(000000-) Angle, Mtg, Es, Iron Gray	1
2	01685	(000000-) Washer, Flt, .31 Ss	2
3	09010	(000000-) Screw, Hex, M08 X 1.25 X 25, Ss	2
▽ 4	375322	(000000-) Kit, Fitting, Garden Hose	1
▲ 5	01316	(000000-) Washer, Rbr, .12 0.66b 1.00d	1
6	24105	(000000-) Fitting, Brs, Qdc, Bm12/Qf08	1
7	1056866	(000000-) Bracket, Mtg, Es, Iron Gray	1
8	15675	(000000-) Screw, Hex, M08 X 1.25 X 16, Ss	2
9	369865	(000000-) Pump, Solution, Impeller, 36vdc	1
10	01684	(000000-) Washer, Flt, .25 Ss	7
11	08712	(000000-) Nut, Hex, Lock, M06 X 1.0, NI, Ss	7
12	09007	(000000-) Screw, Hex, M06 X 1.0 X 25, Ss	4
13	73468	(000000-) Fitting, Plstc, E90, Bm10/Pm12	1
14	63810	(000000-) Clamp, Hose, Wormdrive, 0.56-1.06d	8
15	73475	(000000-) Hose, Pvc, Brd, 0.75id 1.00od 19.00l	1
16	385666	(000000-) Hose, Pvc, Brd, 0.75id 1.00od 26.00l	1
17	79273-2	(000000-) Fitting, Plstc, Str, Bm12/Pm12	2
18	78398	(000000-) Fitting, Plstc, Str, Bm12/Pm08	1
19	79497	(000000-) Fitting, Plstc, Tee, Pf08/Pf08/Pf08	1
20	86508	(000000-) Fitting, Plstc, Str, Pm08/Pm08	2
21	41410	(000000-) Valve, Solenoid, 36vdc	2
22	1056839	(000000-) Bracket, Sppt, Auto Fill, Iron Gray	1
23	15678	(000000-) Screw, Hex, M06 X 1.0 X 16, Ss	3
24	63244-1	(000000-) Fitting, Plstc, E90, Bm08/Pm08	1
25	63244-2	(000000-) Fitting, Plstc, E90, Bm12/Pm08	1
26	10575	(000000-) Fitting, Plstc, E45, Pf12/Pf12	1
27	24544	(000000-) Fitting, Plstc, Str, Pm12/Pm12	1
28	14877	(000000-) Fitting, Plstc, E90, Bm12/Pm12	1
29	387340	(000000-) Hose, Water, Vyl, Brd, .75ld 14.0L	1
30	33295	(000000-) Fitting, Qm, Male	1
31	75611	(000000-) Fitting, Plstc, Plug, Pm12	1
32	398501	(000000-) Plug, Hole, Rt, Rocker Switch, .87 X 1.7	1
33	33807	(000000-) Plug, Hole, Rnd, 0.44h .03-.12, Blk Nyl	1

Fig. 49 - ES Tank Goup

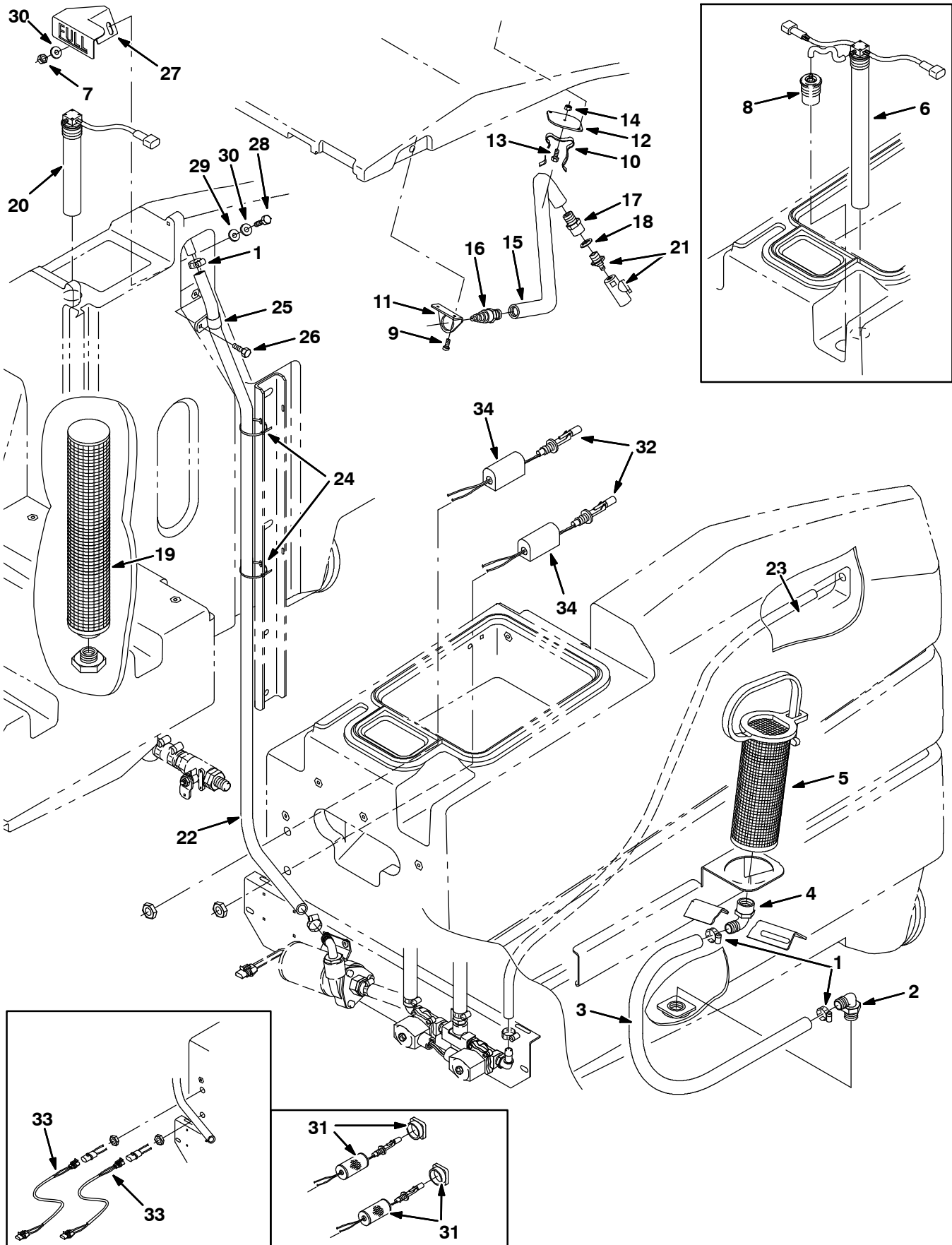


Fig. 49 - ES Tank Group

NOTE: ES™ Kit, TENNANT Part Number 386557, includes Fig. 48, Fig. 49, and Fig. 50.

Ref.	Tennant Part No.	Machine Serial Number	Description	Qty.
1	63810	(000000-) Clamp, Hose, Wormdrive, 0.56-1.06d, .56w	3
2	14877	(000000-) Fitting, Plstc, E90, Bm12/Pm12	2
3	387266	(000000-) Hose, Vyl, Brd, .75id 28.0l	1
4	24543	(000000-) Fitting, Plstc, E90, Bm12/Pf12	1
5	386652	(000000-) Strainer, Pump, Es	1
6	375427	(000000-001541) Switch Assy, Dual Press, 14" Tube	1
7	08713	(000000-) Nut, Hex, Lock, M08 X 1.25,NI, Ss	1
8	13292	(000000-001541) Hose, Vacuum, 0.16id X 05.0l	1
9	360943	(000000-) Screw, Pan, #10-14 X 0.75, F/ Plstc	4
10	67004	(000000-) Clip, Finger Grip	1
11	1056923	(000000-) Angle, Wand, Clean-Out, Iron Gray	1
12	1056924	(000000-) Plate, Wand, Clean-Out, Iron Gray	1
13	09206	(000000-) Screw, Hex, M04 X 0.7 X 12, 8.8	1
14	02850	(000000-) Nut, Hex, Lock, M04 X 0.7, NI	1
15	387109	(000000-) Wand, Clean-Out	1
16	387159	(000000-) Nozzle, Water	1
17	387160	(000000-) Fitting, Plstc, Str, 08pmtxgarden	1
18	387161	(000000-) Washer, Rbr, .68idx1.0od	1
19	387045	(000000-) Strainer, Tank, Solution	1
20	375426	(000000-) Switch Assy, Press, 3 Inch, 8" Tube	1
21	382991	(000000-) Valve, Flow Control, Hose Adapter	1
22	387236	(000000-) Hose, Vyl, Brd, .62id 55.0l	1
23	375308	(000000-) Hose, Pvc, Clr, 0.50id 0.69od 50.00l	1
24	49266	(000000-) Tie, Cable, Nyl, 07.3l .19w 1.8 Max D	2
25	69234	(000000-) Clamp, Cable, Stl, 1.00d X 0.62w, 1h	1
26	49826	(000000-) Screw, Hex, M08 X 1.25 X 16, Ss, NI	1
27	387061	(000000-) Bracket, Full	1
28	09011	(000000-) Screw, Hex, M08 X 1.25 X 30, Ss	1
29	63416	(000000-) Washer, 0.31b 0.88d .12, Rbr	1
30	01685	(000000-) Washer, Flt, .31 Ss	2
31	375302	(001542-002264) Strainer, Soltn, Switch Guard (Repl By 1019285)	2
32	222822	(001542-002036) Sensor, Level, Liquid [Magnetic]	2
32	385685	(002037-) Sensor, Level, Liquid [Magnetic]	2
33	369766	(001542-002036) Harness, Sensor, Jumper	2
34	1019285	(002265-) Bracket, Protector, Float Switch	2

Fig. 50 - ES Drain Assembly

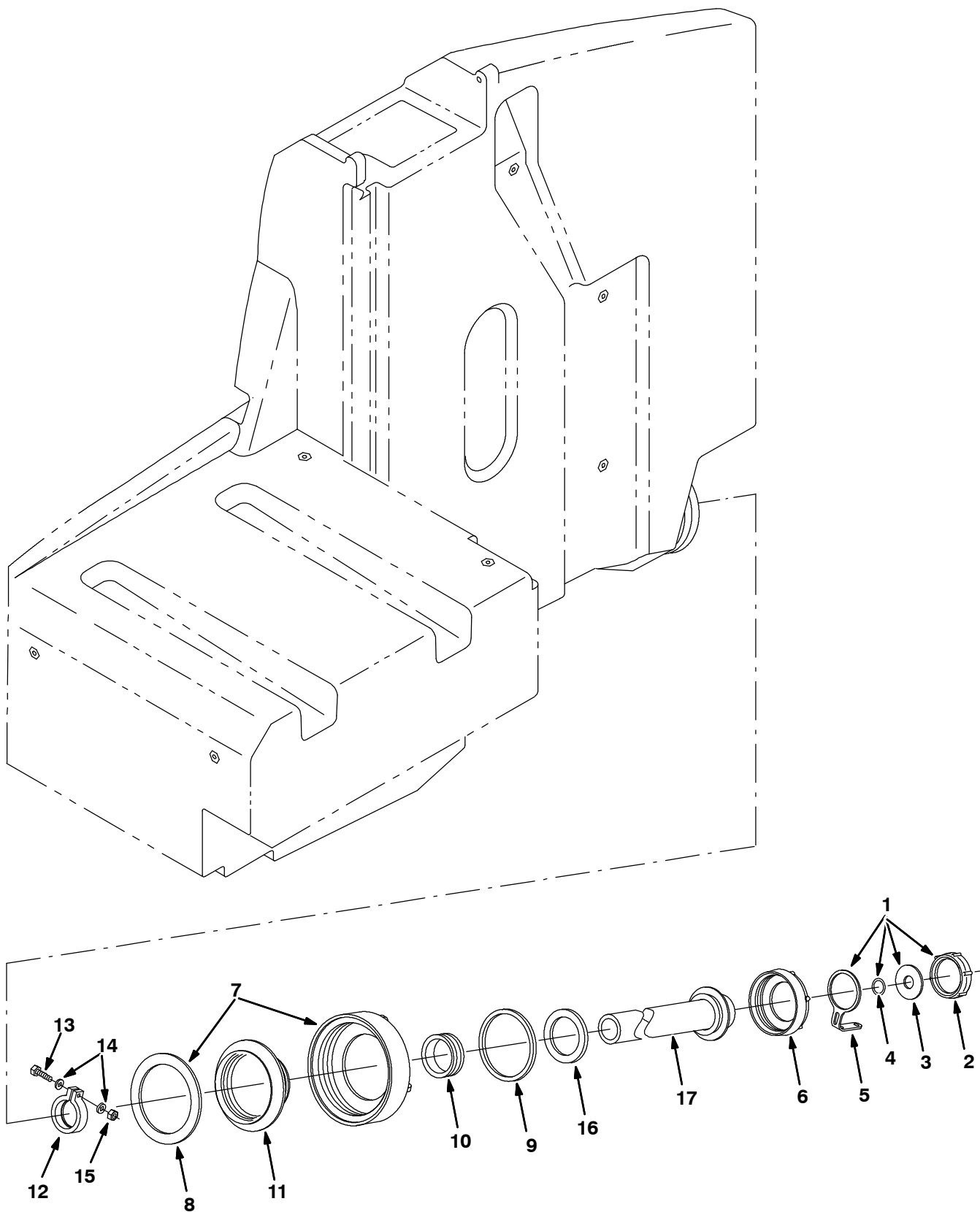


Fig. 50 - ES Drain Assembly

NOTE: ES™ Kit, TENNANT Part Number 386557, includes Fig. 48, Fig. 49, and Fig. 50.

	Ref.	Tennant Part No.	Machine Serial Number	Description	Qty.
▽		387467	(000000-) Kit, Drain Hose, Solution Side	1
▲▽	1	32501	(000000-) Kit, Cap, Drain	1
▲▲	2	32613	(000000-) Cap, Tank, Drain, 2.25 Thread Pye	1
▲▲	3	32614	(000000-) Gasket, Cap	1
▲▲	4	32669	(000000-) Ring, Retaining, Ext, 0.75d, Ss	1
▲▲	5	32508	(000000-) Strap	1
▲	6	14880	(000000-) Cap, Tank, Drain, 3.85 Thread Pye	1
▲▽	7	24358	(000000-) Cap, Tank	1
▲▲	8	1031699	(000000-) Gasket, .19, 4.05id 5.29od [Buna]	1
▲	9	79320	(000000-) Gasket, Cap, Drain	1
▲	10	41421	(000000-) Seal	1
▲	11	14864	(000000-) Cover, Insert	1
▲	12	41454	(000000-) Clamp, Hose, Plstc, 1.60d X 0.62w	1
▲	13	12316	(000000-) Screw, Hex, M05 X 0.8 X 25, Ss	1
▲	14	01683	(000000-) Washer, Flt, #10 Ss	1
▲	15	09739	(000000-) Nut, Hex, Lock, M05 X 0.8, NI, Ss	1
▲	16	41451	(000000-) Gasket, Lid	1
▲	17	386423	(000000-) Hose Assy, Drain	1

Fig. 51 - ec-H2O Solution Pump Group

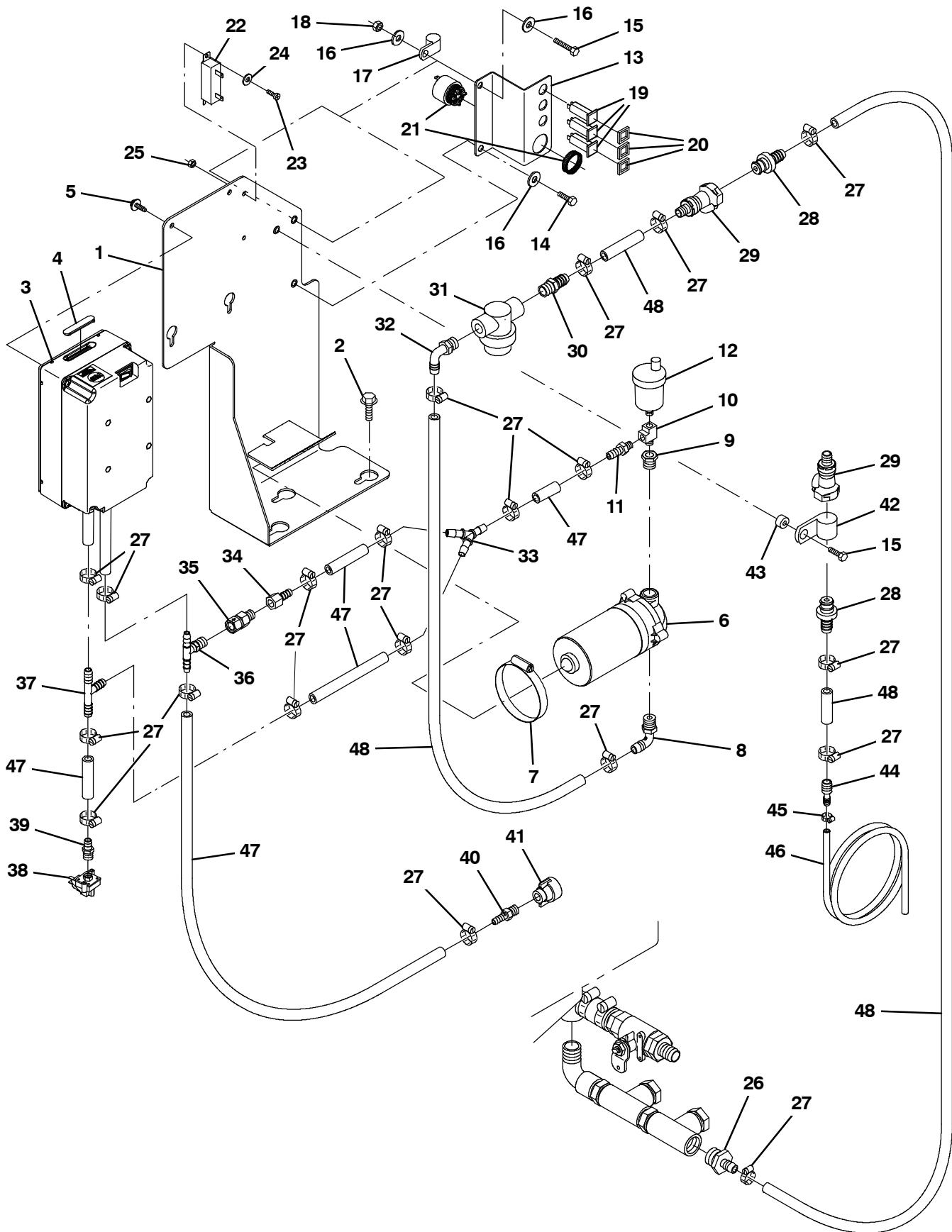


Fig. 51 - ec-H2O Solution Pump Group

Ref.	Tennant Part No.	Machine Serial Number	Description	Qty.
1	1055336	(000000-) Bracket Wldt, Module	1
2	1037346	(000000-) Screw, Hex, M8 X 1.25 X 25, 9.8, Sems	3
3	9006270	(000000-) Module Kit, Replmt [ec-H2O] (See Breakdowns)	1
4	1054776	(000000-) Grommet, Blind	1
5	1040467	(000000-) Screw, Hex, M6 X 1.00 X 20, 9.8, Sems	4
6	1005866	(000000-) Pump, Soltn, Ele, 36vdc (See Breakdowns)	1
7	17188	(000000-) Clamp, Hose, Wormdrive, 2.50-3.50d, .50w	1
8	64778	(000000-) Fitting, Plstc, E90, Bm08/Pm06	1
9	24698	(000000-) Fitting, Brs, Str, Pf02/Pm06	1
10	26426	(000000-) Fitting, Brs, Tee, Pf02/Pf02/Pm02, Run	1
11	1005375	(000000-) Fitting, Plstc, Str, Bm06/Pm02, Nyl	1
12	1017386	(000000-) Valve, Vent, Air, Float Type	1
13	1052683	(000000-) Bracket, Component	1
14	16735	(000000-) Screw, Hex, M8 X 1.25 X 16, 8.8	1
15	76570	(000000-) Screw, Hex, M8 X 1.25 X 30, 8.8	2
16	32490	(000000-) Washer, Flat, 0.25, Std	3
17	82829	(000000-) Clamp, Cable, Stl, 0.63d X 0.75w, 1hole	1
18	08709	(000000-) Nut, Hex, Lock, M8 X 1.25, NI	1
19	1053078	(000000-) Circuitbreaker, 2.0a, Resetable	3
20	1046173	(000000-) Boot, Circuitbreaker	3
21	1052726	(000000-) Alarm, 9-48vdc, 95 Db(A) [Ec-H2O]	1
22	1056416	(000000-) Resistor, 011.00 Ohm, 0040Watt [5%]	1
23	12312	(000000-) Screw, Hex, M5 X 0.80 X 12, 8.8	2
24	01683	(000000-) Washer, Flat, 10, Ss	2
25	07789	(000000-) Nut, Hex, Flng, M5 X 0.80	2
26	79273-1	(000000-) Fitting, Plstc, Str, Bm08/Pm12	1
27	54333	(000000-) Clamp, Hose, Wormdrive, 0.31-0.88d, .31w	19
28	1017415	(000000-) Insert, Cplg, Qm, Bm08	2
29	1017413	(000000-) Housing, Cplg, Qf / Pm08	2
30	64743	(000000-) Fitting, Plstc, Str, Bm08/Pm06	1
31	1005302	(000000-) Filter, In-Line, Pf06/Pf06 080mesh 02.6l	1
32	64778	(000000-) Fitting, Plstc, E90, Bm08/Pm06	1
33	1017255	(000000-) Fitting, Plstc, Y, Bm06/Bm06/Bm06, Nyl	1
34	150511	(000000-) Fitting, Brs, Str, Bm06/Pf04	1
35	1055255	(000000-) Valve, Check, 0030psi Pm04/Pf04	1
36	1052832	(000000-) Fitting, Plstc, Tee, Bm05/Bm05/Pm04	1
37	87173	(000000-) Fitting, Plstc, Tee, Bm06/Bm06/Bm06	1
38	1055254	(000000-) Switch, Press, 25 Psi, Pm02	1
39	150016	(000000-) Fitting, Brs, Str, Bm06/Pf02, Spcl	1
40	1052017	(000000-) Fitting, Plstc, Str, Bm05/Pm04	1
41	1043866	(000000-) Fitting Assy, Qdc, Pf04	1
42	40678-1	(000000-) Clamp, Cable, Stl, 0.88d X 0.62w, 1hole	1
43	360352	(000000-) Tube, 0.34id 0.62od 00.2l, Stl	1
44	630164	(000000-) Fitting, Plstc, Str, Bm04/Bm08	1
45	43844	(000000-) Clamp, Hose, Wormdrive, 0.25-0.62d, .31w	1
46	1011411	(000000-) Hose, Afmkt, Pvc, Brd, 0.25id, 03ft	1
47	1014976	(000000-) Hose, Afmkt, Pvc, Brd, 0.38id, 08ft, Clr	1
48	1011412	(000000-) Hose, Afmkt, Pvc, Brd, 0.50id, 08ft, Clr	1

Fig. 52 - ec-H2O Switch and Label Group

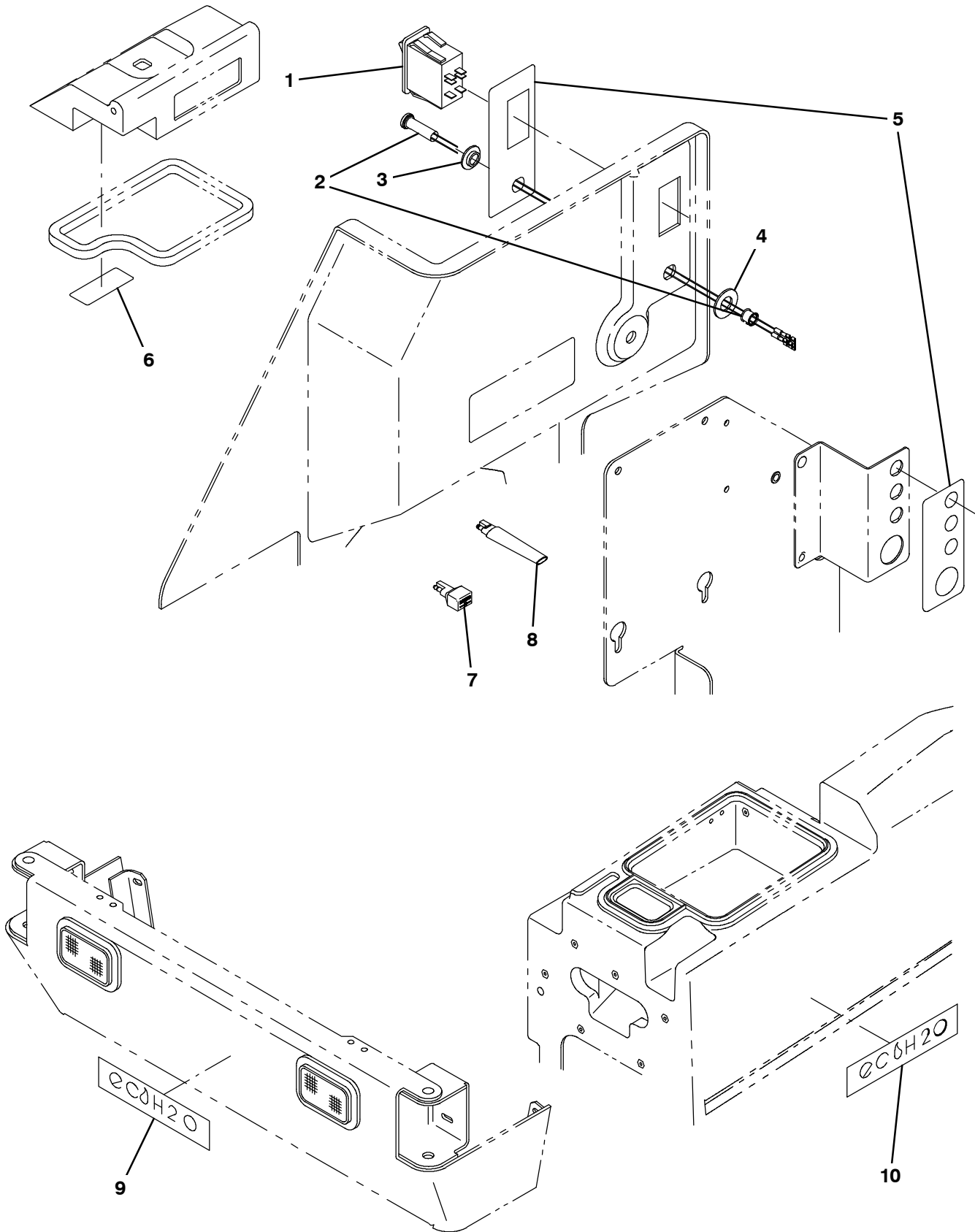
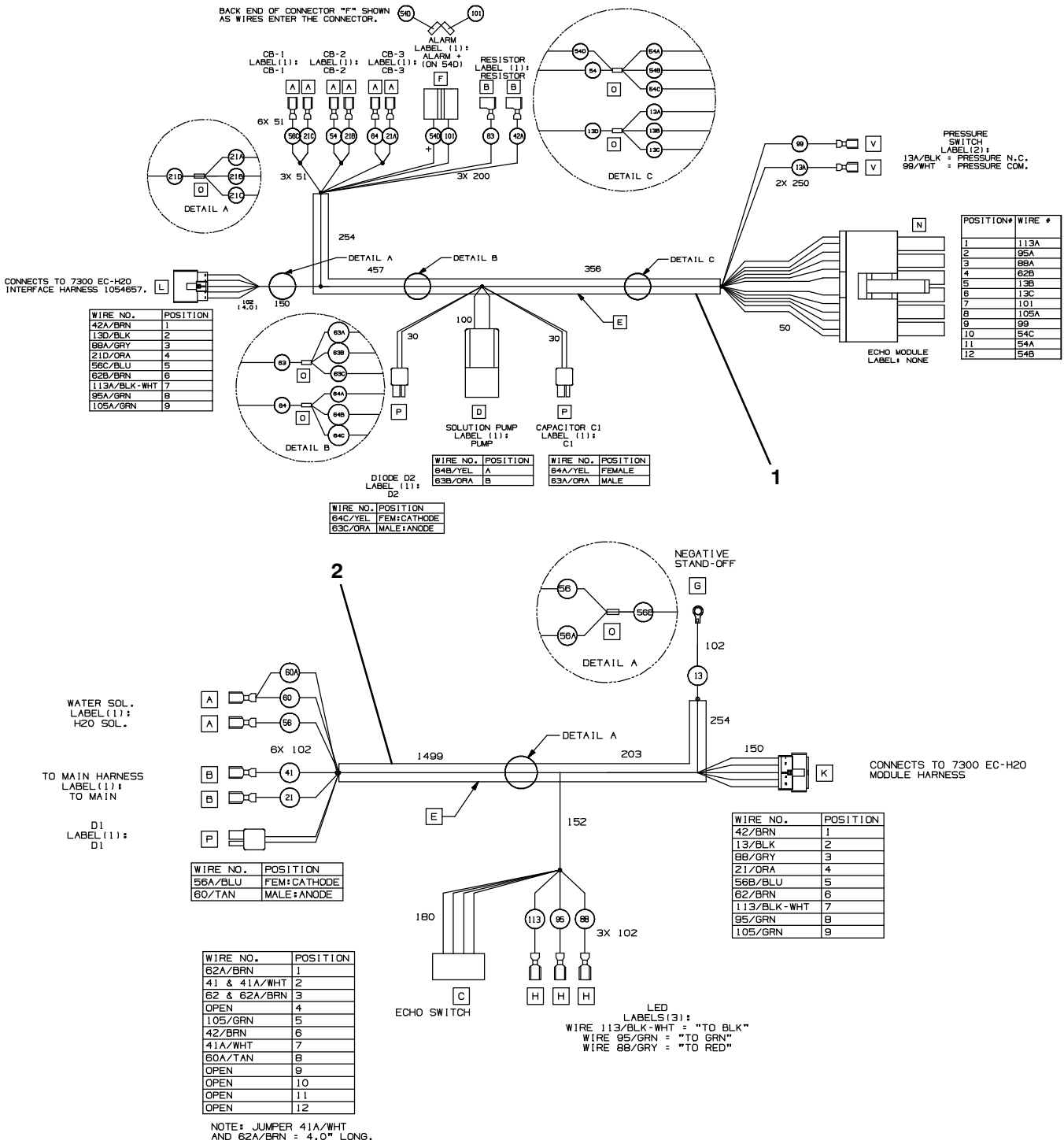


Fig. 52 - ec-H20 Switch and Label Group

Ref.	Tenant Part No.	Machine Serial Number	Description	Qty.
1	377084	(000000-) Switch, Rocker, Prgrsv	1
2	1041822	(000000-) Light, Led, .312d, 2 Volt [Tri-Color]	1
3	1055883	(000000-) Bushing, Light, Led	1
4	43454	(000000-) Washer, Flat, 0.34b 0.69d .06, Nyl	1
5	1056331	(000000-) Label Set, Opertnl [7300 ec-H2O]	1
6	1050003	(000000-) Label [User, Attention, Ec-H2o]	1
7	222290	(000000-) Diode, Ele, Plug	1
8	1040868	(000000-) Capacitor, Plug [.01 Uf, 200v]	1
9	1052755	(000000-) Label, Front [Ec-H2o, T15]	1
10	1056944	(000000-) Label, Tank [ec-H20]	2

Fig. 53 - ec-H20 Wire Harnesses Group



354909

Ref.	Tennant Part No.	Machine Serial Number	Description	Qty.
1	1050664	(000000-) Harness, Wire [7300 Ec-H2o, Module]	1
2	1054657	(000000-) Harness, Wire [7300, Ec-H2o Interface]	1

Fig. 54 - ec-H20 Install Kits

Ref.	Tenant Part No.	Machine Serial Number	Description	Qty.
1	9006106	(000000-) Ec-H2o Kit, Cylrcl, 1000mm, Ci [73/8300]	1
2	9006107	(000000-) Ec-H2o Kit, Cylrcl, 1200mm, Ci[73/8300]	1
2	9006108	(000000-) Ec-H2o Kit, Disk, Ci [7300/8300]	1

Fig. 55 - Positive Solution Control Drain Kit, Recovery Tank (000000-004999)

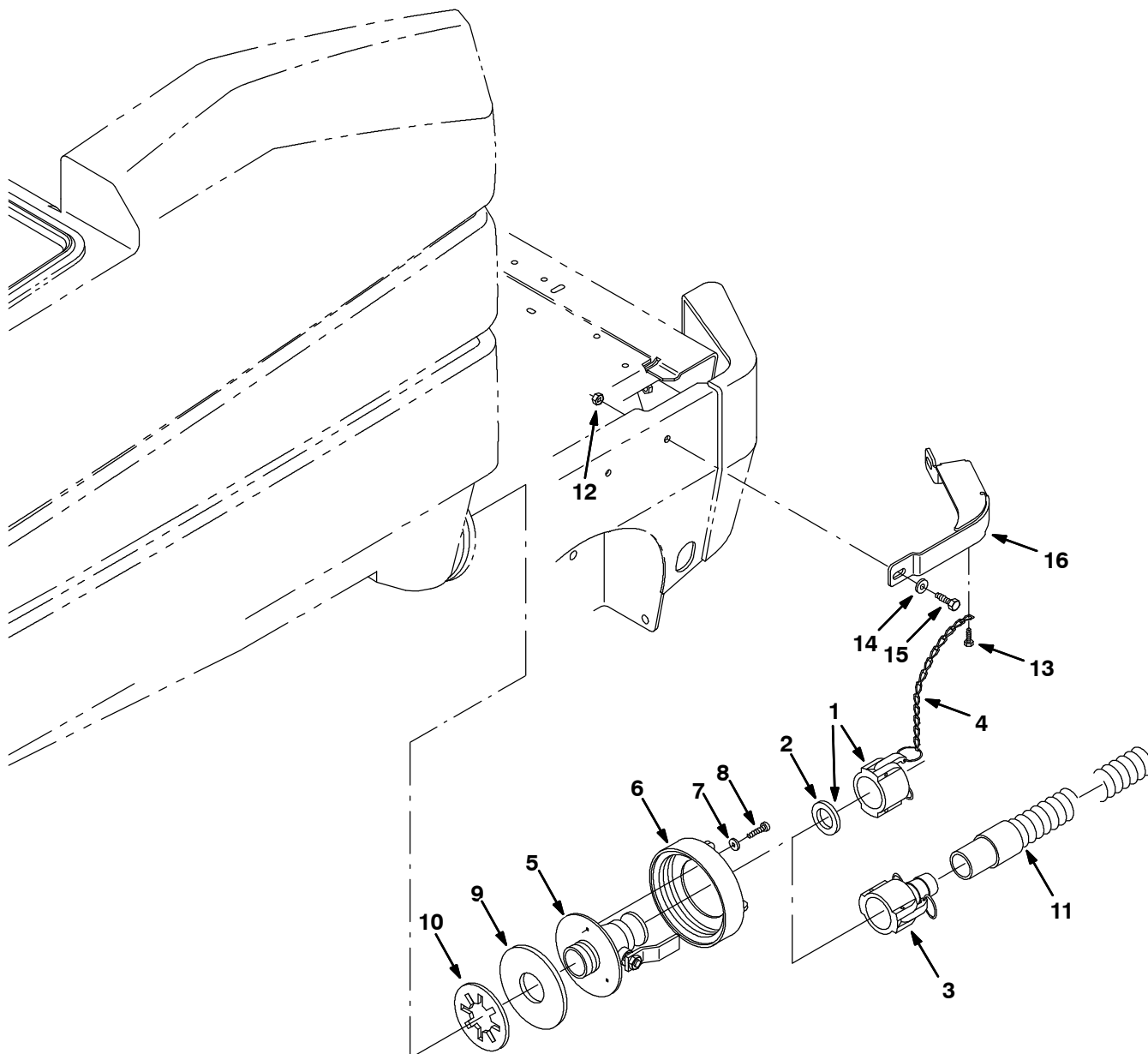


Fig. 55 - Positive Solution Control Drain Kit, Recovery Tank (000000-004999)

	Ref.	Tennant Part No.	Machine Serial Number	Description	Qty.
▽		387127	(000000-004999)	Kit, Ci, Drain, Soltn, Pos, Cntrl, Recvy	1
▲▽		387221	(000000-004999)	Cap Assy	1
▲▲	1	48733	(000000-004999)	Cap, Dust	1
▲▲	2	371905	(000000-004999)	Gasket, Cap, Dust	1
▲	3	48734	(000000-004999)	Fitting, Coupler, Hose, Shank, Fem	1
▲	4	19903	(000000-004999)	Chain, Sash, #35, 07.2l 13 Link	1
▲	5	1049269	(000000-004999)	Valve, Ball, Drain, 1.50ID, Ss, Rwk	1
▲	6	23456	(000000-004999)	Cap, Tank, Drain, 6.17 Thread Pye	1
▲	7	01684	(000000-004999)	Washer, Flt, .25 Ss	3
▲	8	09744	(000000-004999)	Screw, Hex, M6 X 1.00 X 12, Ss	3
▲	9	1031700	(000000-004999)	Gasket, .19, 2.00ld 5.38OD [BUNA]	1
▲	10	20932	(000000-004999)	Washer, Polye	1
▲	11	75635	(000000-004999)	Hose Assy, W/1cuff, 1.5d 120l 1.5/	1
▲	12	07792	(000000-004999)	Nut, Hex, Flng, M10 X 1.5	2
▲	13	74455	(000000-004999)	Screw, Hex, M6 X 1.0 X 12, Fmg	1
▲	14	32492	(000000-004999)	Washer, Flt, .38 Std	2
▲	15	39284	(000000-004999)	Screw, Hex, M10 X 1.5 X 35, 8.8	2
▲	16	387213	(000000-004999)	Bumper, Posi Drain, Recvy Side	1

Fig. 56 - Positive Solution Control Drain Kit, Recovery Tank (005000-)

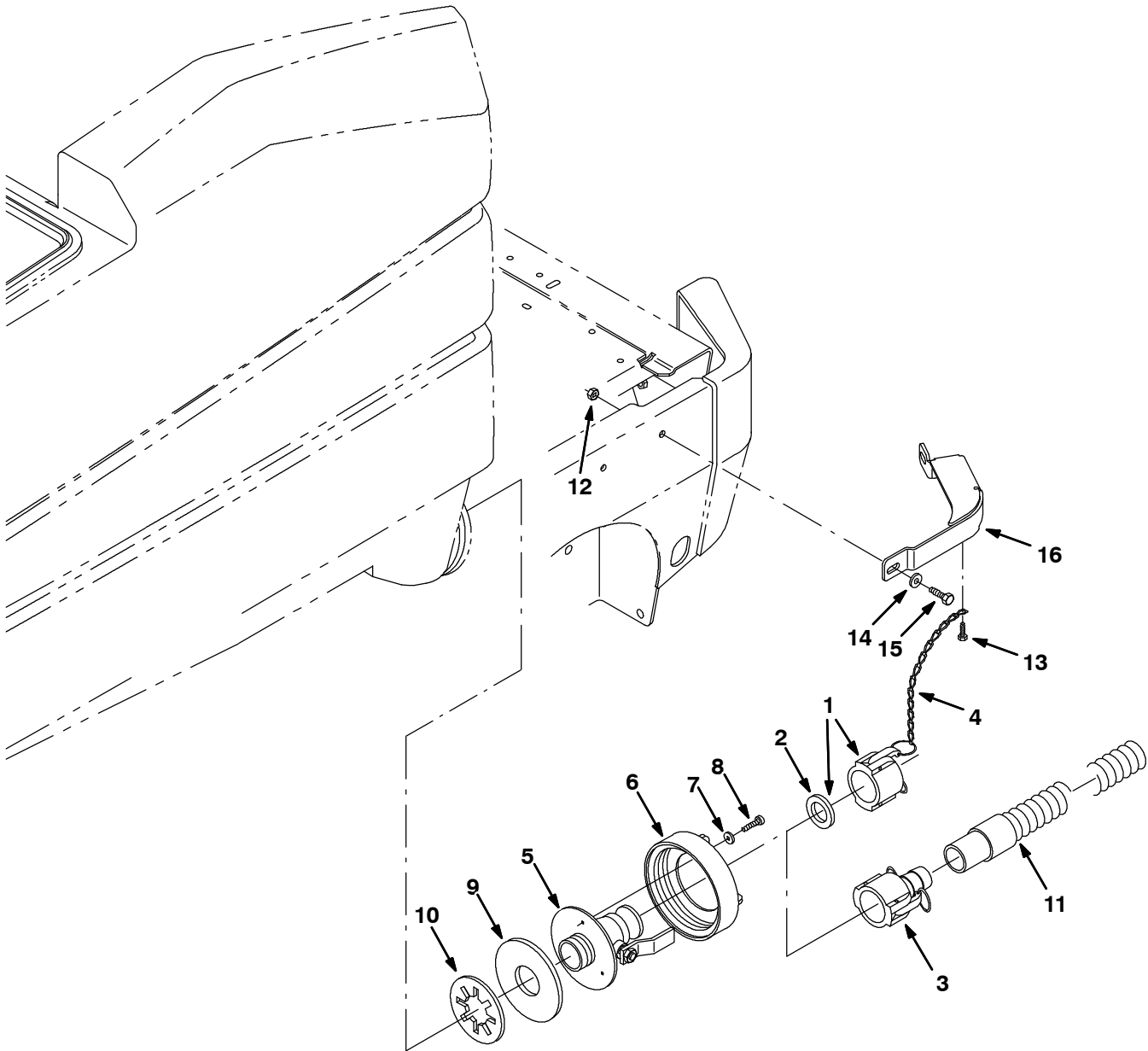


Fig. 56 - Positive Solution Control Drain Kit, Recovery Tank (005000-)

	Ref.	Tennant Part No.	Machine Serial Number	Description	Qty.
▽		9006940	(005000-) Drain Kit, Gray, Ci [Posi Cntrl/Recvy]	1
▲▽		387221	(005000-) Cap Assy	1
▲▲	1	48733	(005000-) Cap, Dust	1
▲▲	2	371905	(005000-) Gasket, Cap, Dust	1
▲	3	48734	(005000-) Fitting, Coupler, Hose, Shank, Fem	1
▲	4	19903	(005000-) Chain, Sash, #35, 07.2l 13 Link	1
▲	5	1049269	(005000-) Valve, Ball, Drain, 1.50ID, Ss, Rwk	1
▲	6	23456	(005000-) Cap, Tank, Drain, 6.17 Thread Pye	1
▲	7	01684	(005000-) Washer, Flt, .25 Ss	3
▲	8	09744	(005000-) Screw, Hex, M6 X 1.00 X 12, Ss	3
▲	9	1031700	(005000-) Gasket, .19, 2.00ld 5.38OD [BUNA]	1
▲	10	20932	(005000-) Washer, Polye	1
▲	11	75635	(005000-) Hose Assy, W/1cuff, 1.5d 120l 1.5/	1
▲	12	07792	(005000-) Nut, Hex, Flng, M10 X 1.5	2
▲	13	74455	(005000-) Screw, Hex, M6 X 1.0 X 12, Fmg	1
▲	14	32492	(005000-) Washer, Flt, .38 Std	2
▲	15	39284	(005000-) Screw, Hex, M10 X 1.5 X 35, 8.8	2
▲	16	1056799	(005000-) Bumper, Side, Recvy, Gray [Posi Drain]	1

Fig. 57 - Positive Solution Control Drain Kit, Solution Tank (000000-004999)

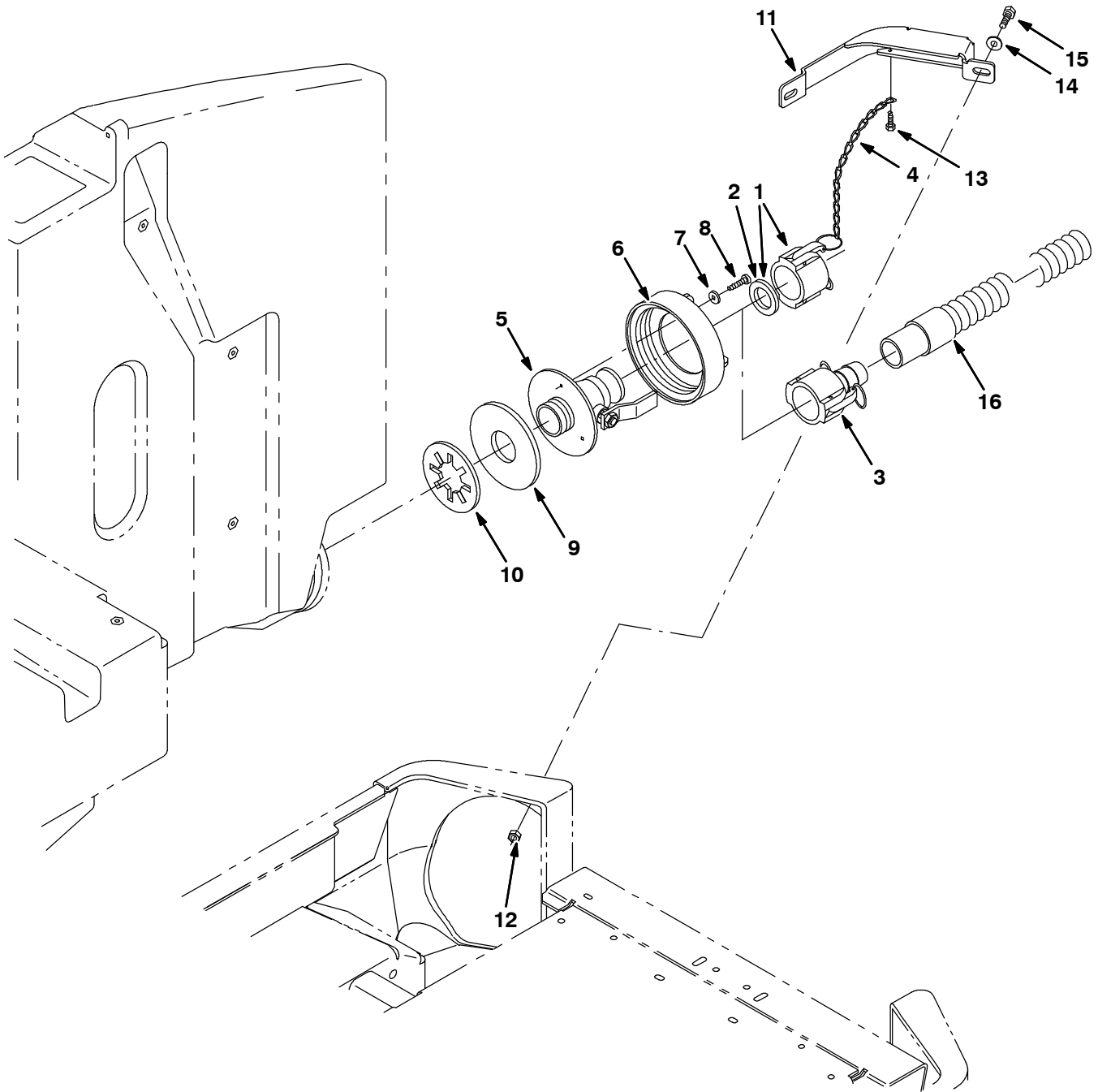


Fig. 57 - Positive Solution Control Drain Kit, Solution Tank (000000-004999)

Ref.	Tennant Part No.	Machine Serial Number	Description	Qty.
▽	387483	(000000-004999)	Kit, Ci, Drain, Soltn, Pos Cntrl, Soltn	1
▲▽	1 48733	(000000-004999)	Cap, Dust	1
▲▲	2 371905	(000000-004999)	Gasket, Cap, Dust	1
▲	3 48734	(000000-004999)	Fitting, Coupler, Hose, Shank, Fem	1
▲	4 19903	(000000-004999)	Chain, Sash, #35, 07.2l 13 Link	1
▲	5 1049269	(000000-004999)	Valve, Ball, Drain, 1.50ID, Ss, Rwk	1
▲	6 23456	(000000-004999)	Cap, Tank, Drain, 6.17 Thread Pye	1
▲	7 01684	(000000-004999)	Washer, Flt, .25 Ss	3
▲	8 09744	(000000-004999)	Screw, Hex, M6 X 1.00 X 12, Ss	3
▲	9 1031700	(000000-004999)	Gasket, .19, 2.00ld 5.38OD [BUNA]	1
▲	10 20932	(000000-004999)	Washer, Polye	1
▲	11 387126	(000000-004999)	Bumper, Posi Drain, Recvy Side	1
▲	12 07792	(000000-004999)	Nut, Hex, Flng, M10 X 1.5	2
▲	13 74455	(000000-004999)	Screw, Hex, M6 X 1.0 X 12, Fmg	1
▲	14 32492	(000000-004999)	Washer, Flt, .38 Std	2
▲	15 39284	(000000-004999)	Screw, Hex, M10 X 1.5 X 35, 8.8	2
▲	16 75635	(000000-004999)	Hose Assy, W/1cuff, 1.5d 120l 1.5/	1

Fig. 58 - Positive Solution Control Drain Kit, Solution Tank (005000-)

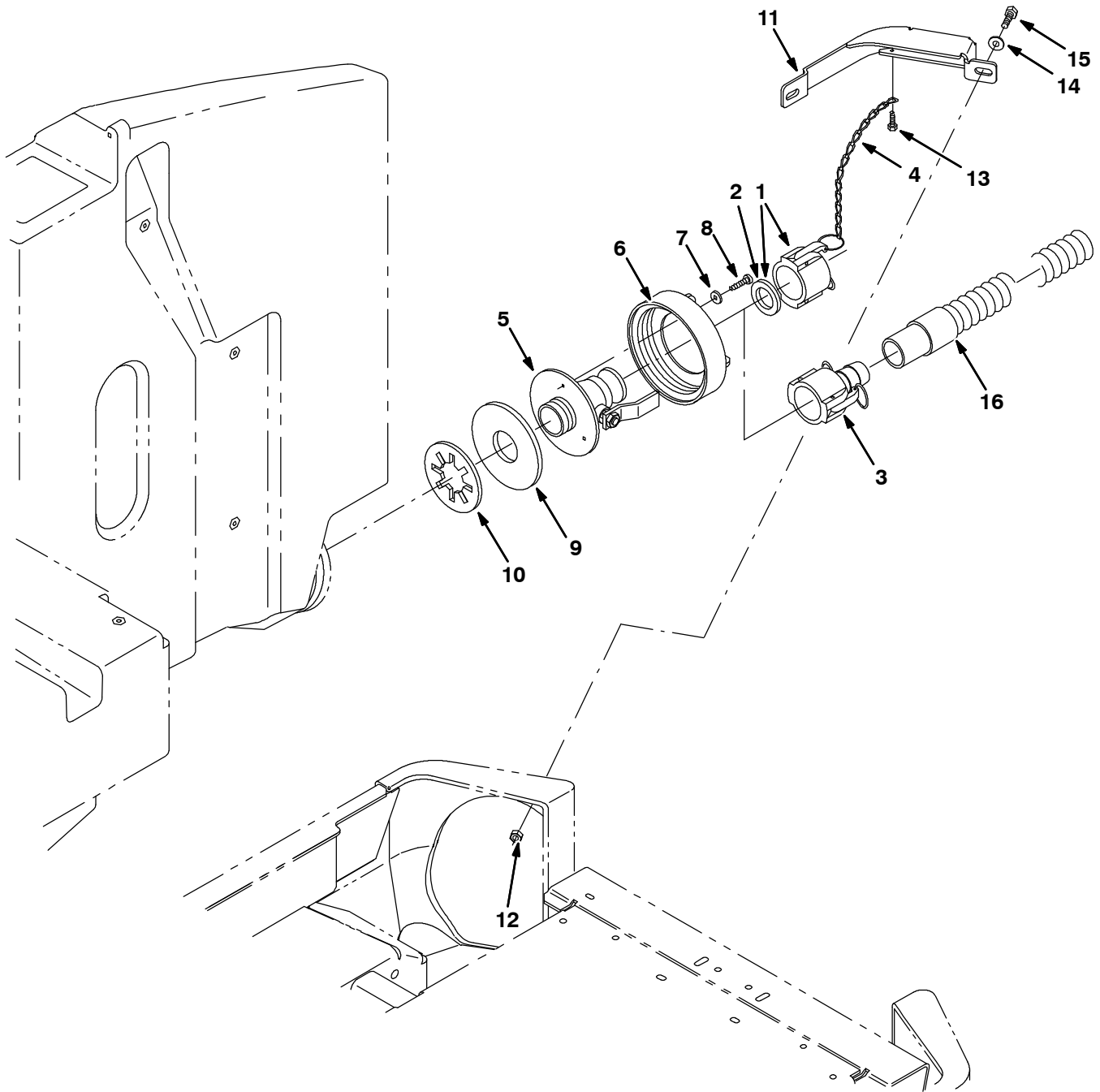


Fig. 58 - Positive Solution Control Drain Kit, Solution Tank (005000-)

Ref.	Tennant Part No.	Machine Serial Number	Description	Qty.
▽	9006959	(005000-) Drain Kit, Gray, Ci [Posi Cntrl/Soltn]	1
▲▽	1 48733	(005000-) Cap, Dust	1
▲▲	2 371905	(005000-) Gasket, Cap, Dust	1
▲	3 48734	(005000-) Fitting, Coupler, Hose, Shank, Fem	1
▲	4 19903	(005000-) Chain, Sash, #35, 07.2l 13 Link	1
▲	5 1049269	(005000-) Valve, Ball, Drain, 1.50ID, Ss, Rwk	1
▲	6 23456	(005000-) Cap, Tank, Drain, 6.17 Thread Pye	1
▲	7 01684	(005000-) Washer, Flt, .25 Ss	3
▲	8 09744	(005000-) Screw, Hex, M6 X 1.00 X 12, Ss	3
▲	9 1031700	(005000-) Gasket, .19, 2.00ld 5.38OD [BUNA]	1
▲	10 20932	(005000-) Washer, Polye	1
▲	11 1056796	(005000-) Bumper, Side, Soltn, Gray [Posi Drain]	1
▲	12 07792	(005000-) Nut, Hex, Flng, M10 X 1.5	2
▲	13 74455	(005000-) Screw, Hex, M6 X 1.0 X 12, Fmg	1
▲	14 32492	(005000-) Washer, Flt, .38 Std	2
▲	15 39284	(005000-) Screw, Hex, M10 X 1.5 X 35, 8.8	2
▲	16 75635	(005000-) Hose Assy, W/1cuff, 1.5d 120l 1.5/	1

Fig. 59 - Low Water Level Kit

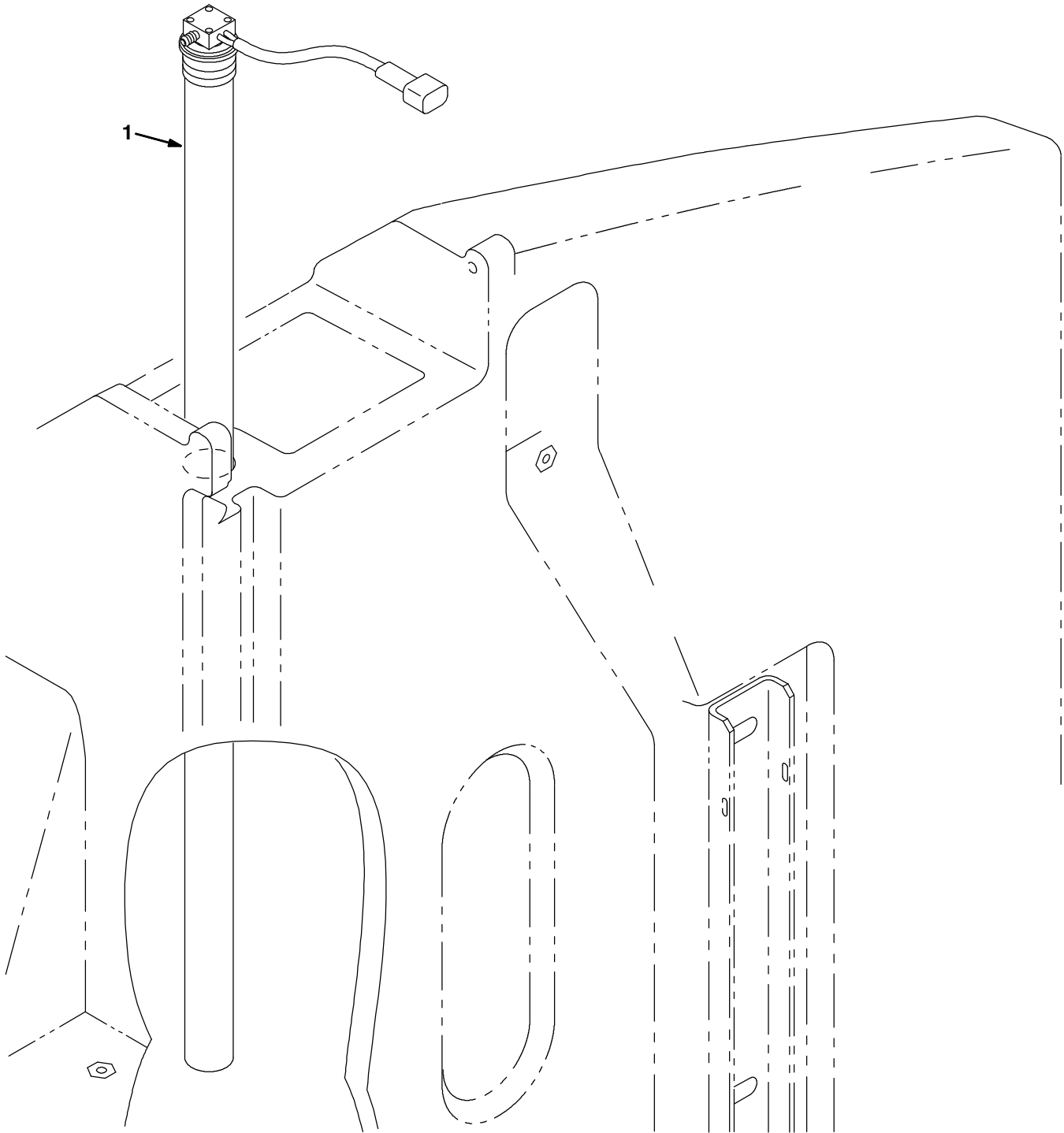


Fig. 59 - Low Water Level Kit

	Ref.	Tennant Part No.	Machine Serial Number	Description	Qty.
▽		387003	(000000-) Kit, Ci, Indicator, Low Water Level	1
▲	1	375431	(000000-) Kit, Replmt, Press Switch/34" Tube	1

Fig. 60 - Detergent Metering Kit

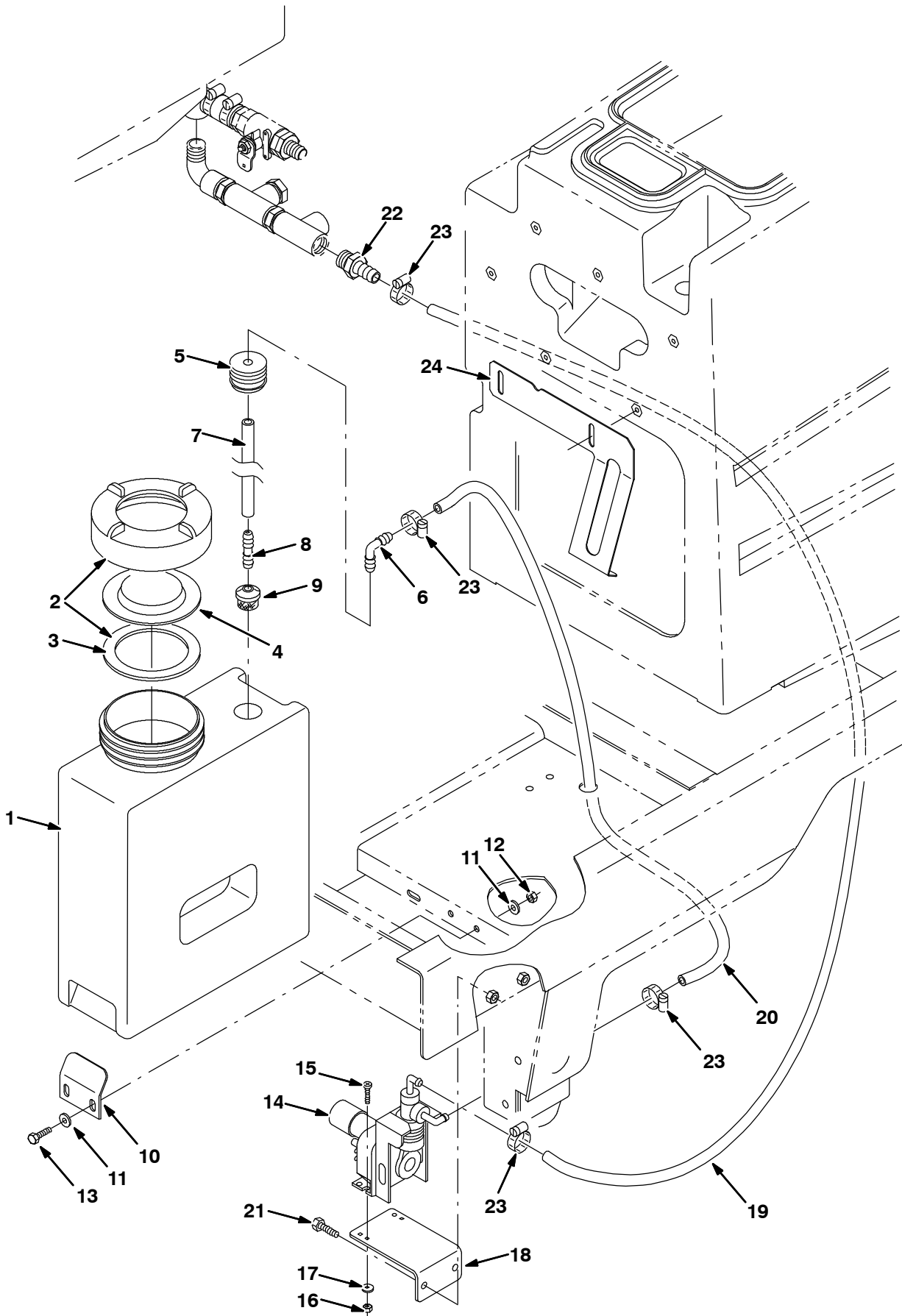


Fig. 60 - Detergent Metering Kit

Ref.	Tennant Part No.	Machine Serial Number	Description	Qty.
▽	386482	(000000-) Kit, Ci, Detgt Metering	1
▲	1 386163	(000000-) Tank, Detergent	1
▲▽	2 24358	(000000-) Cap, Tank	1
▲▲	3 1031699	(000000-) Gasket, .19, 4.05id 5.29od [Buna]	1
▲	4 86636	(000000-) Cover, Tank	1
▲	5 20944	(000000-) Grommet, Pye, 0.37id, F/ 1.5h, .13matl	2
▲	6 20951	(000000-) Fitting, Plstc, E90, 06bm/06bm	1
▲	7 382452	(000000-) Hose, Pvc, Brd, 0.38id 0.60od 15.00l	1
▲	8 20950	(000000-) Fitting, Plstc, Str, Bm06/Bm06	1
▲	9 20952	(000000-) Screen, Pump	1
▲	10 1056867	(000000-) Plate, Mtg, Tank, Detgt, Iron Gray	1
▲	11 01685	(000000-) Washer, Flt, .31 Ss	4
▲	12 08713	(000000-) Nut, Hex, Lock, M08 X 1.25,NI, Ss	2
▲	13 09023	(000000-) Screw, Hex, M08 X 1.25 X 35, Ss	2
▲	14 386364	(000000-) Pump, Detgt, 36vdc (See Breakdown)	1
▲	15 12323	(000000-) Screw, Pan, M04 X 0.7 X 20, Ss	4
▲	16 33932	(000000-) Nut, Hex, Lock, M04 X 0.7, NI, Ss	4
▲	17 41579	(000000-) Washer, Flt, #08 Ss	4
▲	18 1056872	(000000-) Angle, Mtg, Pump, Detgt, Iron Gray	1
▲	19 387049	(000000-) Hose, Vyl, Brd .38id .60od 45.0l	1
▲	20 364669	(000000-) Hose, Pvc, Brd, 0.38id 0.60od 66.00l	1
▲	21 09023	(000000-) Screw, Hex, M08 X 1.25 X 35, Ss	2
▲	22 73467	(000000-) Fitting, Plstc, Str, Bm06/Pm12	1
▲	23 43844	(000000-) Clamp, Hose, Wormdrive, 0.25-0.62d	4
▲	24 386432	(000000-) Bracket, Retaining, Tank, Detgt	1

Fig. 61 - Power Wand Hose Assembly

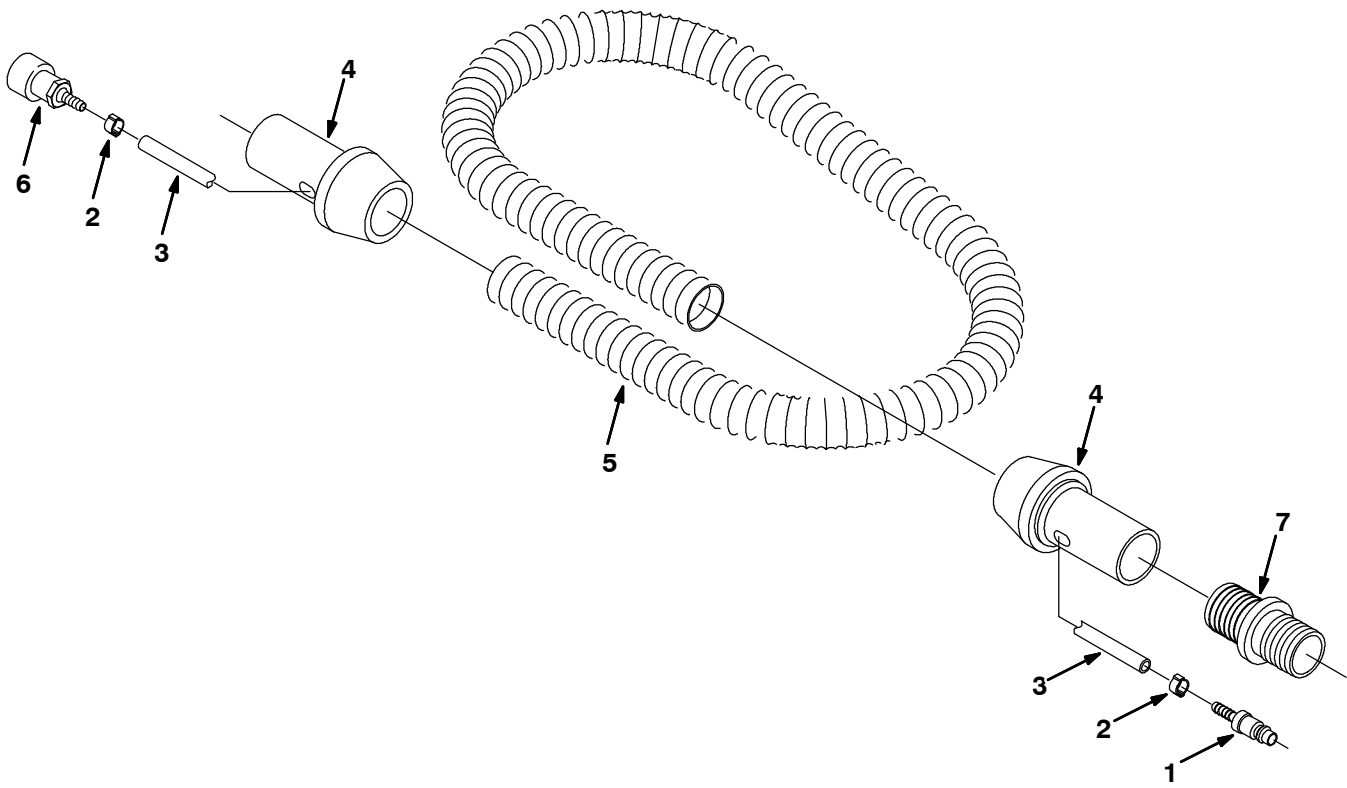


Fig. 61 - Power Wand Hose Assembly

NOTE: Power Wand Kit (000000-004999), Part Number 387147, includes; Fig. 61, Fig. 62, Fig. 63, and Fig. 64.

NOTE: Power Wand Kit (005000-), Part Number 9006944, includes; Fig. 61, Fig. 62, Fig. 63, and Fig. 64.

	Ref.	Tennant Part No.	Machine Serial Number	Description	Qty.
▽		65341	(000000-) Hose Assembly	1
▲	1	578318000	(000000-) Fitting, Quick Disconnect	1
▲	2	578160000	(000000-) Clamp, Hose	2
▲	3	578820000	(000000-) Hose	1
▲	4	578072000	(000000-) Cuff, Swivel	2
▲	5	578276000	(000000-) Hose, Vacuum	1
▲	6	578071000	(000000-) Fitting, Quick Disconnect	1
	7	48609	(000000-) Fitting, Plstc, Str, Bm24/Bm32	1

Fig. 62 - Power Wand Assembly

NOTE: Power Wand Kit (000000-004999), Part Number 387147, includes; Fig. 61, Fig. 62, Fig. 63, and Fig. 64.
 NOTE: Power Wand Kit (005000-), Part Number 9006944, includes; Fig. 61, Fig. 62, Fig. 63, and Fig. 64.

Ref.	Tennant Part No.	Machine Serial Number	Description	Qty.
▽	65340	(000000-) Kit, Wand, Power [5400]	1
▲ 1	578077000	(000000-) Bracket, Mtg	1
▲ 2	578061000	(000000-) Adaptor	2
▲ 3	578214000	(000000-) Fitting, Elbow	1
▲ 4	579112	(000000-) Adaptor	1
▲ 5	602036000	(000000-) Rivet, Pop	2
▲ 6	578066000	(000000-) Nozzle, Spray	1
▲ 7	65610	(000000-) Brush, Block, Scrub, Poly	1
▲ 8	578063000	(000000-) Head, Wand	1
▲ 9	578078000	(000000-) Strip, Retainer	2
▲ 10	578074000	(000000-) Blade, Squeegee	2
▲ 11	578124000	(000000-) Bracket	1
▲ 12	578439	(000000-) Nut, Thumb, M6 X 30mm Dia	1
▲ 13	578228000	(000000-) Spring, Compression	1
▲ 14	578143000	(000000-) Stud, Adj	1
▲ 15	578126000	(000000-) Axle, Wand	1
▲ 16	578125000	(000000-) Wheel	2
▲ 17	578123000	(000000-) Bracket	1
▲ 18	578155000	(000000-) Handle, Wand	1
▲ 19	578154000	(000000-) Handle, Wand	1
▲ 20	578091000	(000000-) Plug, Qm, .25npt	1
▲ 21	578164000	(000000-) Grommet	1
▲ 22	578821000	(000000-) Hose, Wand	1
▲ 23	578161000	(000000-) Clamp, Hose	2
▲ 24	578094000	(000000-) Fitting, Hose, Barbed, .25npt Mal	1
▲ 25	578064000	(000000-) Valve, Water	1
▲ 26	150208	(000000-) Plug	1
▲ 27	578060000	(000000-) Wand	1
▲ 28	65582	(000000-) Brush, Block, Scrub, Ab	1

Fig. 63 - Power Wand Pump and Fittings Group

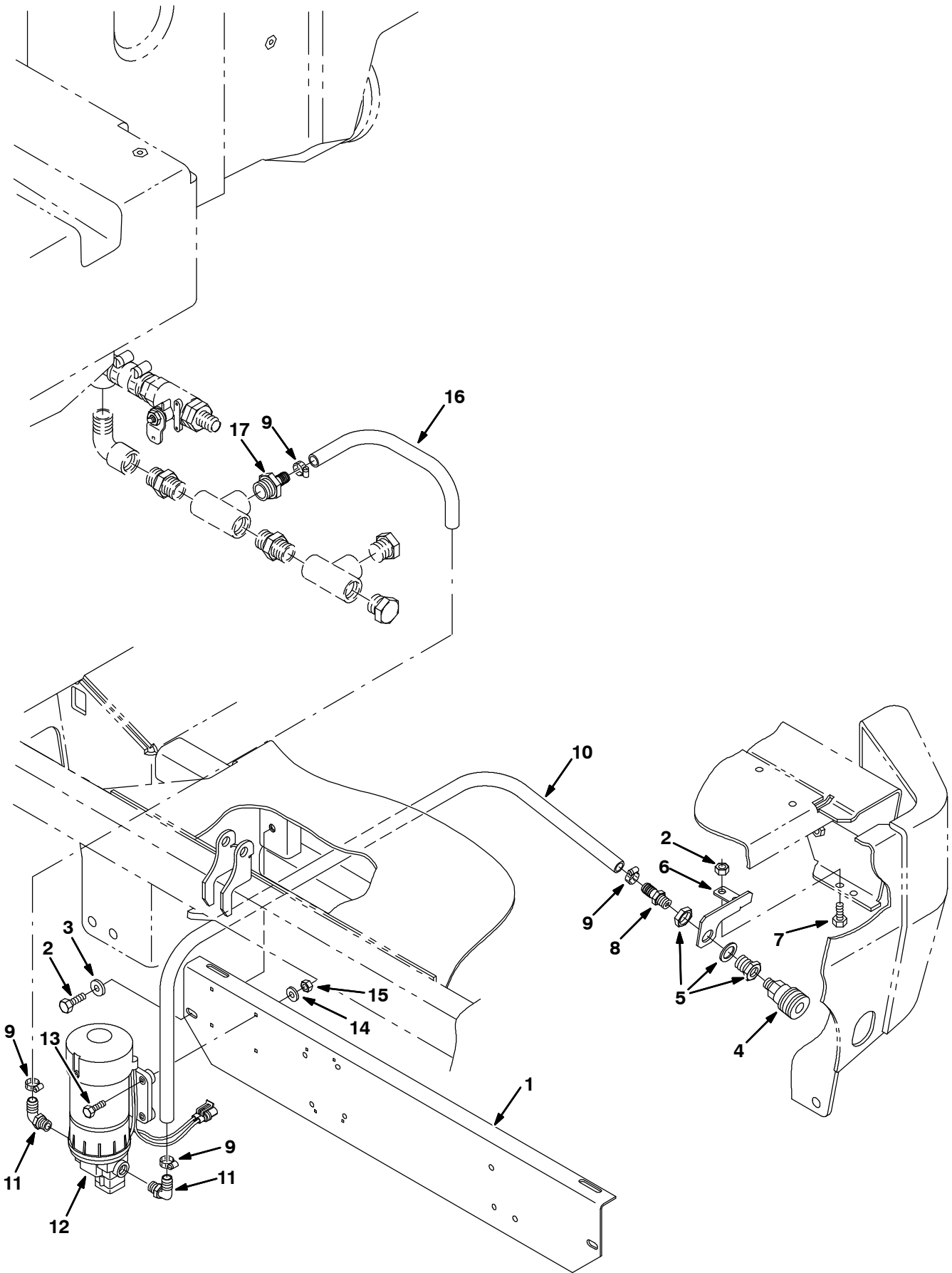


Fig. 63 - Power Wand Pump and Fittings Group

NOTE: Power Wand Kit (000000-004999), Part Number 387147, includes; Fig. 61, Fig. 62, Fig. 63, and Fig. 64.

NOTE: Power Wand Kit (005000-), Part Number 9006944, includes; Fig. 61, Fig. 62, Fig. 63, and Fig. 64.

Ref.	Tennant Part No.	Machine Serial Number	Description	Qty.
1	1056864	(000000-) Angle, Mtg, Es, Iron Gray	1
2	09010	(000000-) Screw, Hex, M08 X 1.25 X 25, Ss	4
3	01685	(000000-) Washer, Flt, .31 Ss	2
4	65342	(000000-) Fitting, Brs, Qdc, Pm04/Qf06	1
5	78122	(000000-) Fitting, Brs, Str, Pf04/Pf04 Bkhd	1
6	1056865	(000000-) Bracket, Wand, Power, Iron Gray	1
7	08713	(000000-) Nut, Hex, Lock, M08 X 1.25,NI, Ss	2
8	48610	(000000-) Fitting, Plstc, Str, Bm08/Pm04	1
9	54333	(000000-) Clamp, Hose, Wormdrive, 0.31-0.88d	4
10	84057	(000000-) Hose, Pvc, Wir, 0.50id 0.74od 47.00l	1
11	65581	(000000-) Fitting, Plstc, E90, Bm08/Pm04	2
12	387321	(000000-) Pump Assy, Power Wand (See Breakdown)	1
13	09007	(000000-) Screw, Hex, M06 X 1.0 X 25, Ss	4
14	01684	(000000-) Washer, Flt, .25 Ss	4
15	08712	(000000-) Nut, Hex, Lock, M06 X 1.0, NI, Ss	4
16	63184	(000000-) Hose, Pvc, Wir, 0.50id 0.75od 15.50l	1
17	79273-1	(000000-) Fitting, Plstc, Str, Bm08/Pm12	1

Fig. 64 - Power Wand Mount Group

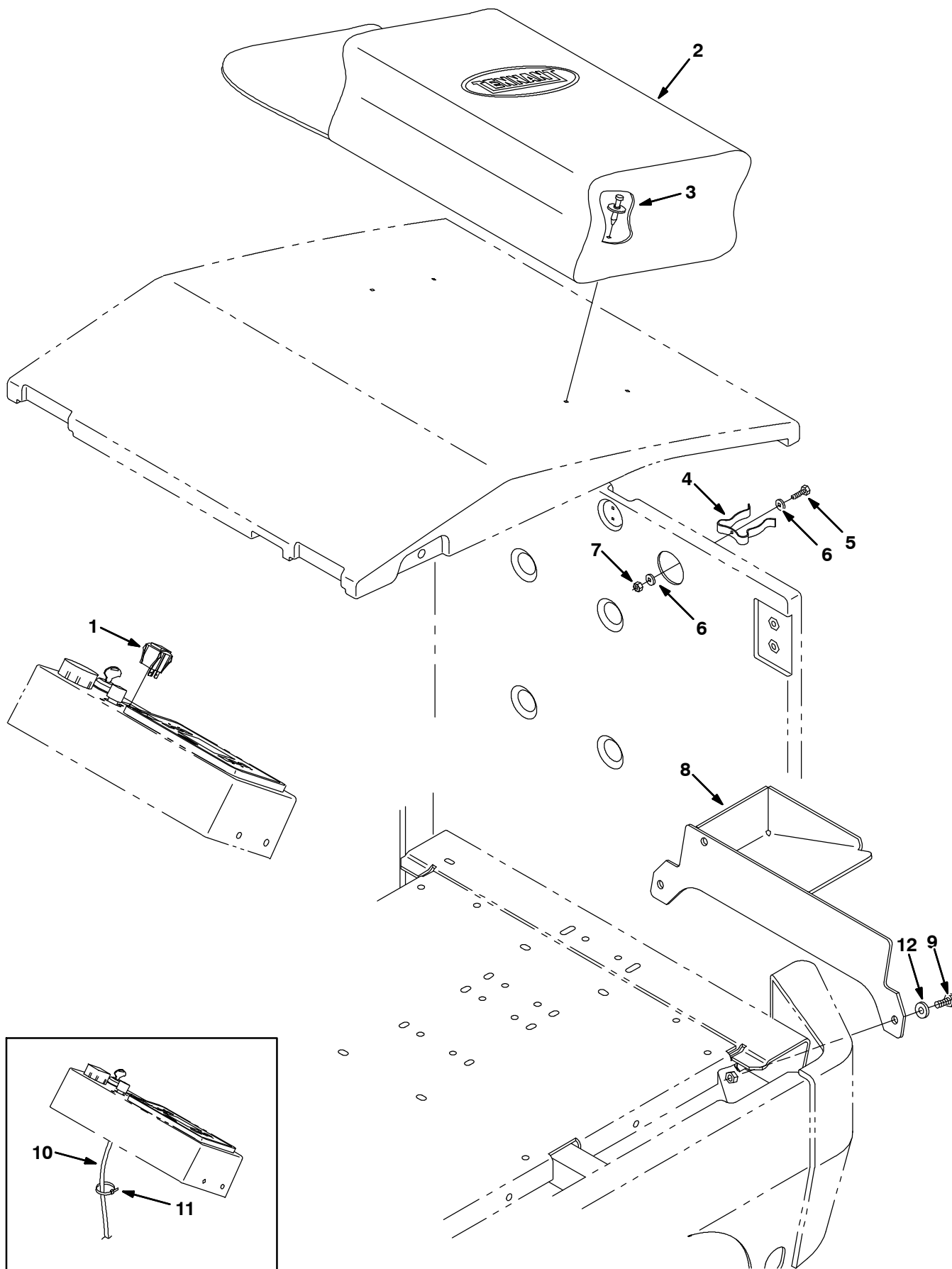


Fig. 64 - Power Wand Mount Group

NOTE: Power Wand Kit (000000-004999), Part Number 387147, includes; Fig. 61, Fig. 62, Fig. 63, and Fig. 64.
 NOTE: Power Wand Kit (005000-), Part Number 9006944, includes; Fig. 61, Fig. 62, Fig. 63, and Fig. 64.

Ref.	Tennant Part No.	Machine Serial Number	Description	Qty.
1	222117	(000000-) Switch, Rocker	1
2	65580	(000000-) Bag, Power	1
3	72968	(000000-) Rivet, Plstc, .250 X 0.898	2
4	67004	(000000-) Clip, Finger Grip	1
5	09228	(000000-) Screw, Hex, M04 X 0.7 X 20, 8.8	1
6	19064	(000000-) Washer, Flt, #06	2
7	02850	(000000-) Nut, Hex, Lock, M04 X 0.7, NI	1
8	387050	(000000-004999) Tray Wldt, Power Wand	1
8	1056793	(005000-) Tray Wldt, Power Wand, Iron Gray	1
9	12273	(000000-) Screw, Hex, M08 X 1.25 X 20, Ss, NI	3
10	386608	(000000- xxxxxx) Harness, Power Wand, [7300/8300]	1
10	387422	(xxxxxx-001705) Harness, Power Wand, [7300/8300]	1
11	49266	(000000-001705) Tie, Cable, Nyl, 07.3l .19w 1.8 Max D	4
12	01685	(000000-) Washer, Flt, .31	3

Fig. 65 - Vacuum Wand Kit

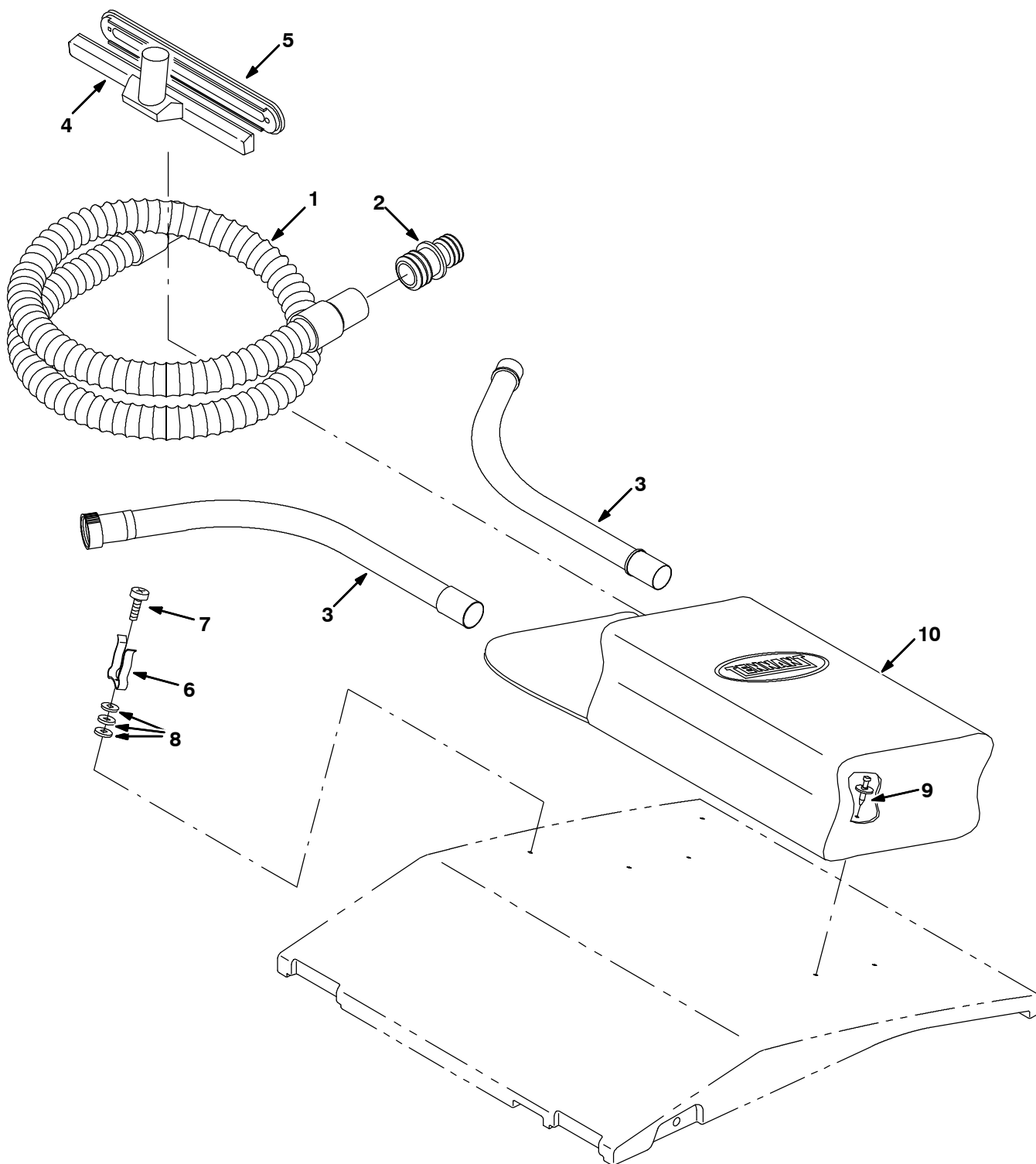


Fig. 65 - Vacuum Wand Kit

	Ref.	Tennant Part No.	Machine Serial Number	Description	Qty.
▽		387262	(000000-) Kit, Ci, Vacuum Wand, [7300/8300]	1
▲	1	86767	(000000-) Hose Assy, Pvc, W/ Cuff, 1.5d, 90.0l	1
▲	2	48609	(000000-) Fitting, Plstc, Str, Bm24/Bm32	1
▲	3	63448	(000000-) Tube, Wand, Vacuum, Metal	1
▲	4	63451	(000000-) Nozzle, Wand, Plstc, 14.0lg	1
▲	5	63430	(000000-) Shoe, Plstc, Sqge, 14inch	1
▲	6	67004	(000000-) Clip, Finger Grip	2
▲	7	360943	(000000-) Screw, Pan, #10-14X0.75, F/Plstc	2
▲	8	19064	(000000-) Washer, Flt, #06	6
▲	9	72968	(000000-) Rivet, Plstc, .250 X 0.898	4
▲	10	65580	(000000-) Bag, Power	1

Fig. 66 - Max Pro 1200 Rear Squeegee Group (000000-004999)

Ref.	Tennant Part No.	Machine Serial Number	Description	Qty.
▽	386861	(000000-004999)	Kit, Cl, Squeegee, Rear [Max Pro 1200]	1
▲	1 1056877	(000000-004999)	Frame Wldt, Sqge 48.0l	1
▲	2 386833	(000000-004999)	Blade, Sqge, Front 48.0l	1
▲	3 386835	(000000-004999)	Clamp Wldt, Front 48.0l	1
▲	4 21603	(000000-004999)	Pin	4
▲	5 24555	(000000-004999)	Ring, Retaining, Ext	4
▲	6 386298	(000000-004999)	Pin Wldt, Front	1
▲	7 21601	(000000-004999)	Cam	1
▲	8 386834	(000000-004999)	Blade, Sqge, Rear 48.0l	1
▲	9 386836	(000000-004999)	Clamp Wldt, Rear 48.0l	1
▲	10 21606	(000000-004999)	Bar Wldt, Retainer, Sqge, Rear	1
▲	11 21602	(000000-004999)	Cam, Rear	1
▲	12 03495	(000000-004999)	Strip, Nonslip	4
▲	13 83874	(000000-004999)	Gasket, Sqge	2
▲	14 386264	(000000-004999)	Bumper, Sqge	2
▲	15 387431	(000000-004999)	Screw, Hex, M08 X 1.25 X 130 Ss	1
▲	16 01685	(000000-004999)	Washer, Flt, .31 Ss	5
▲	17 222497	(000000-004999)	Sleeve	1
▲	18 08713	(000000-004999)	Nut, Hex, Lock, M08 X 1.25,NI, Ss	4
▲	19 09767	(000000-004999)	Screw, Hex, M08 X 1.25 X 70, Ss	1
▲	20 387435	(000000-004999)	Channel Wldt	1
▲	21 386234	(000000-004999)	Pivot Wldt, Guard	1
▲	22 12309	(000000-004999)	Screw, Hex, M12 X 1.75 X 30, Ss	2
▲	23 41619	(000000-004999)	Washer, Flt, .50 Ss	2
▲	24 09741	(000000-004999)	Nut, Hex, Lock, M12 X 1.75,NI, Ss	2
▲	25 1039190	(000000-004999)	Pin, Clevis, 0.25d X 2.00l	1
▲	26 08178	(000000-004999)	Pin, Cotter, .062 X 0.75	1
▲	27 01684	(000000-004999)	Washer, Flat, 0.27b 0.69d .05, Ss	2
▲	28 387237	(000000-004999)	Stud, .31-18 2.75l M8 X 1.25, Ss	2
▲	29 370100	(000000-004999)	Knob, 4-Prong W/.31-18, Insert	2
▲	30 04414	(000000-004999)	Washer, 0.53b 1.88d .12, Stl, Pl	2
▲	31 387433	(000000-004999)	Ring, Mtg, Sqge, .50l	2
▲	32 387436	(000000-004999)	Bumper, Poly-E	1
▲	33 387438	(000000-004999)	Bumper, Poly-E	1
▲	34 387500	(000000-004999)	Spring, Cmpr, .87od .042wir 2.0l	2
▲	35 363301	(000000-004999)	Sleeve, 0.62d 0.34b 1.19l Bnz	1
▲	36 363162	(000000-004999)	Wheel, 4.0d 0.89w 0.64b	1
▲	37 09010	(000000-004999)	Screw, Hex, M08 X 1.25 X 25, Ss	2
▲	38 386847	(000000-004999)	Bolt, Eye, M10x1.5 X 2.0 X .28 Eye	1
▲	39 71100	(000000-004999)	Spring, Extn, 1.69od X 0.20wir, 9.5l	1
▲	40 32716	(000000-004999)	Nut, Hex, Jam, M10 X 1.5, Ss	2
▲	41 387446	(000000-004999)	Channel, Stop, Lh	1
▲	42 387447	(000000-004999)	Channel, Stop, Rh	1
▲	43 364614	(000000-004999)	Bumper, Neo, 1.5d .63t .31h	2
▲	44 387429	(000000-004999)	Sleeve, P/M, 0.44b 0.75d 0.5l [430ss]	4
▲	45 53782	(000000-004999)	Washer, Thrust, 0.75b 1.25d 0.06w	4
▲	46 387430	(000000-004999)	Plate, Slide	2
▲	47 387258	(000000-004999)	Blade, Sqge, Front, Mp1200, Tile	1

OPTIONS

Fig. 67 - Max Pro 1200 Rear Squeegee Group (005000-)

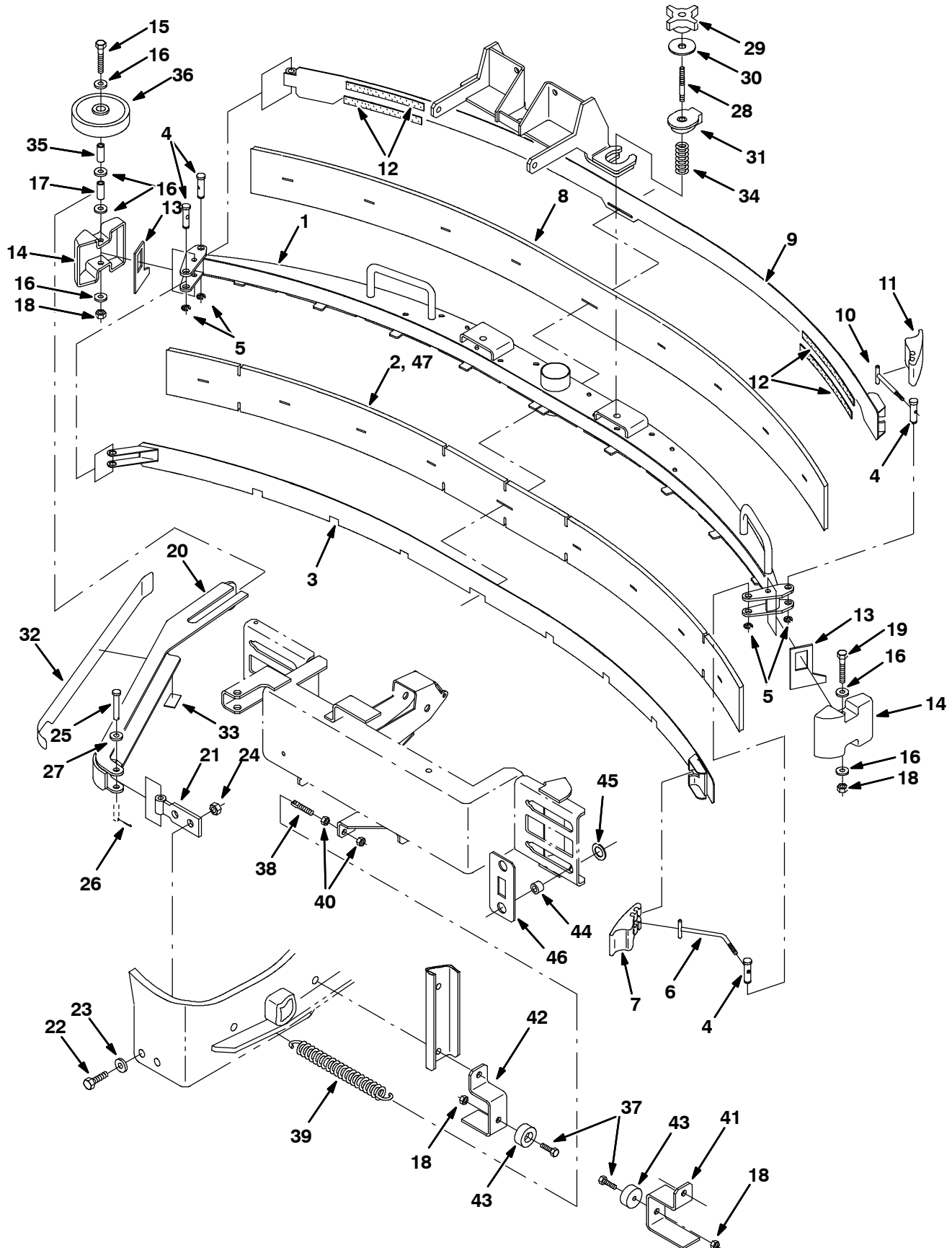


Fig. 67 - Max Pro 1200 Rear Squeegee Group (005000-)

Ref.	Tennant Part No.	Machine Serial Number	Description	Qty.
▽	9006931	(005000-) Squeegee Assy Kit, Rear, Ci [Mp1200]	1
▲	1 1056877	(005000-) Frame Wldt, Sqge 48.0l	1
▲	2 386833	(005000-) Blade, Sqge, Front 48.0l	1
▲	3 386835	(005000-) Clamp Wldt, Front 48.0l	1
▲	4 21603	(005000-) Pin	4
▲	5 24555	(005000-) Ring, Retaining, Ext	4
▲	6 386298	(005000-) Pin Wldt, Front	1
▲	7 21601	(005000-) Cam	1
▲	8 386834	(005000-) Blade, Sqge, Rear 48.0l	1
▲	9 386836	(005000-) Clamp Wldt, Rear 48.0l	1
▲	10 21606	(005000-) Bar Wldt, Retainer, Sqge, Rear	1
▲	11 21602	(005000-) Cam, Rear	1
▲	12 03495	(005000-) Strip, Nonslip	4
▲	13 83874	(005000-) Gasket, Sqge	2
▲	14 386264	(005000-) Bumper, Sqge	2
▲	15 387431	(005000-) Screw, Hex, M08 X 1.25 X 130 Ss	1
▲	16 01685	(005000-) Washer, Flt, .31 Ss	5
▲	17 222497	(005000-) Sleeve	1
▲	18 08713	(005000-) Nut, Hex, Lock, M08 X 1.25,NI, Ss	4
▲	19 09767	(005000-) Screw, Hex, M08 X 1.25 X 70, Ss	1
▲	20 1056805	(005000-) Channel Wldt, Iron Gray	1
▲	21 1056466	(005000-) Plate Wldt, Pivot, Guard, Iron Gray	1
▲	22 12309	(005000-) Screw, Hex, M12 X 1.75 X 30, Ss	2
▲	23 41619	(005000-) Washer, Flt, .50 Ss	2
▲	24 09741	(005000-) Nut, Hex, Lock, M12 X 1.75,NI, Ss	2
▲	25 1039190	(005000-) Pin, Clevis, 0.25d X 2.00l	1
▲	26 08178	(005000-) Pin, Cotter, .062 X 0.75	1
▲	27 01684	(005000-) Washer, Flat, 0.27b 0.69d .05, Ss	2
▲	28 387237	(005000-) Stud, .31-18 2.75l M8 X 1.25, Ss	2
▲	29 370100	(005000-) Knob, 4-Prong W/.31-18, Insert	2
▲	30 04414	(005000-) Washer, 0.53b 1.88d .12, Stl, PI	2
▲	31 387433	(005000-) Ring, Mtg, Sqge, .50l	2
▲	32 387436	(005000-) Bumper, Poly-E	1
▲	33 387438	(005000-) Bumper, Poly-E	1
▲	34 387500	(005000-) Spring, Cmpr, .87od .042wir 2.0l	2
▲	35 363301	(005000-) Sleeve, 0.62d 0.34b 1.19l Bnz	1
▲	36 363162	(005000-) Wheel, 4.0d 0.89w 0.64b	1
▲	37 09010	(005000-) Screw, Hex, M08 X 1.25 X 25, Ss	2
▲	38 386847	(005000-) Bolt, Eye, M10x1.5 X 2.0 X .28 Eye	1
▲	39 71100	(005000-) Spring, Extn, 1.69od X 0.20wir, 9.5l	1
▲	40 32716	(005000-) Nut, Hex, Jam, M10 X 1.5, Ss	2
▲	41 1056806	(005000-) Bracket, Stop, Bar, Lh, Iron Gray	1
▲	42 1056807	(005000-) Bracket, Stop, Bar, Rh, Iron Gray	1
▲	43 364614	(005000-) Bumper, Neo, 1.5d .63t .31h	2
▲	44 387429	(005000-) Sleeve, P/M, 0.44b 0.75d 0.5l [430ss]	4
▲	45 53782	(005000-) Washer, Thrust, 0.75b 1.25d 0.06w	4
▲	46 387430	(005000-) Plate, Slide	2
▲	47 387258	(005000-) Blade, Sqge, Front, Mp1200, Tile	1

OPTIONS

Fig. 68 - Max Pro 1200 Rear Squeegee Group for Vacuumized Side Squeegee (000000-004999)

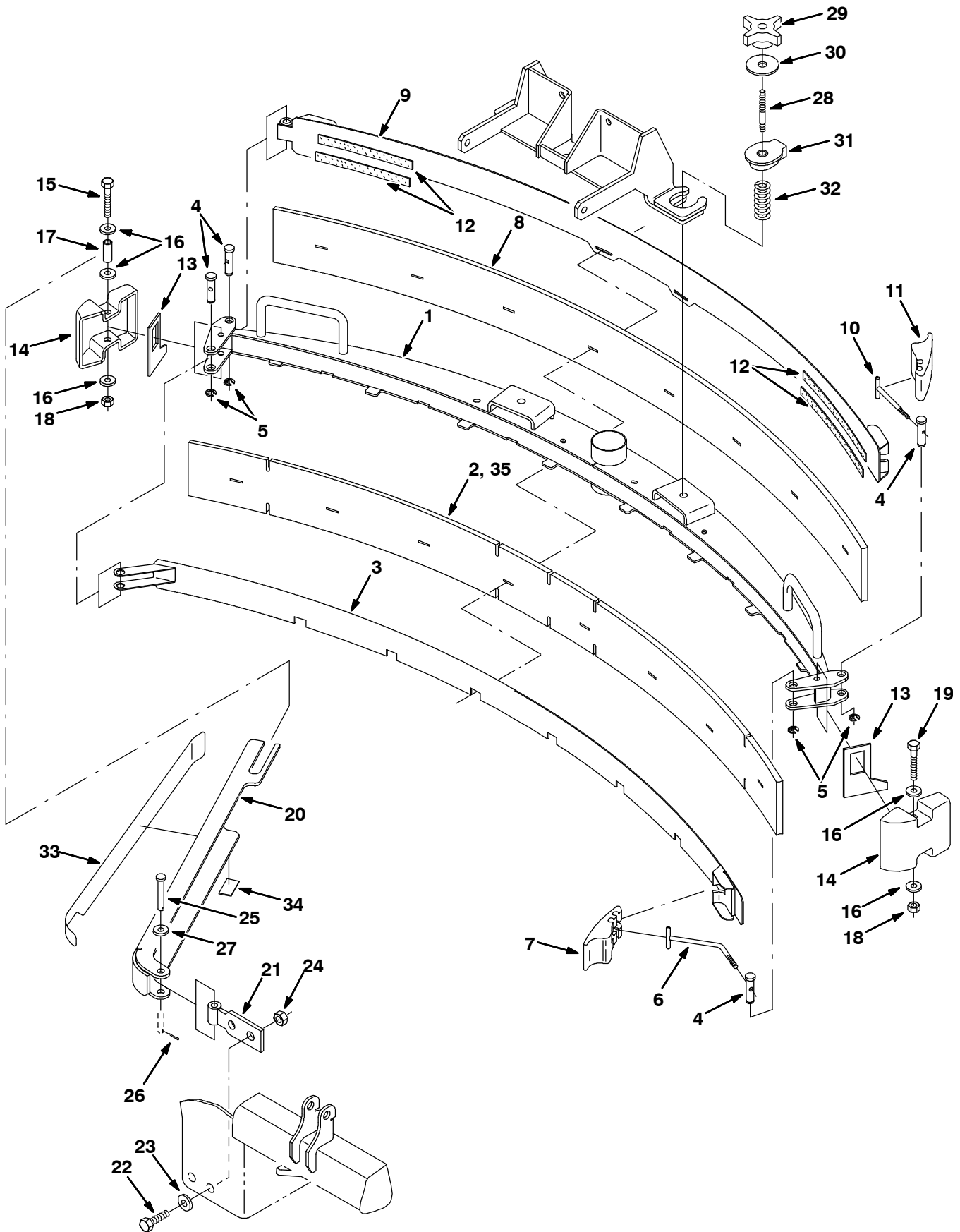


Fig. 68 - Max Pro 1200 Rear Squeegee Group for Vacuumized Side Squeegee (000000-004999)

Ref.	Tennant Part No.	Machine Serial Number	Description	Qty.
▽	386860	(000000-004999)	Kit, Cl, Squeegee, Rear (Max Pro™ 1000)	1
▲	1 1056856	(000000-004999)	Frame Wldt, Sqge, Iron Gray	1
▲	2 386283	(000000-004999)	Blade, Sqge, Front	1
▲	3 386285	(000000-004999)	Clamp Wldt, Front	1
▲	4 21603	(000000-004999)	Pin	4
▲	5 24555	(000000-004999)	Ring, Retaining, Ext	4
▲	6 386298	(000000-004999)	Pin Wldt, Front	1
▲	7 21601	(000000-004999)	Cam	1
▲	8 386284	(000000-004999)	Blade, Sqge, Rear	1
▲	9 386286	(000000-004999)	Clamp Wldt, Rear	1
▲	10 21606	(000000-004999)	Bar Wldt, Retainer, Sqge, Rear	1
▲	11 21602	(000000-004999)	Cam, Rear	1
▲	12 03495	(000000-004999)	Strip, Nonslip	4
▲	13 83874	(000000-004999)	Gasket, Sqge	2
▲	14 386264	(000000-004999)	Bumper, Sqge	2
▲	15 386299	(000000-004999)	Screw, Hex, M08 X 1.25 X 100, Ss	1
▲	16 01685	(000000-004999)	Washer, Flt, .31 Ss	5
▲	17 222497	(000000-004999)	Sleeve	1
▲	18 08713	(000000-004999)	Nut, Hex, Lock, M08 X 1.25,NI, Ss	2
▲	19 09767	(000000-004999)	Screw, Hex, M08 X 1.25 X 70, Ss	1
▲	20 386266	(000000-004999)	Channel Wldt	1
▲	21 386234	(000000-004999)	Pivot Wldt, Guard	1
▲	22 12309	(000000-004999)	Screw, Hex, M12 X 1.75 X 30, Ss	2
▲	23 41619	(000000-004999)	Washer, Flt, .50 Ss	2
▲	24 09741	(000000-004999)	Nut, Hex, Lock, M12 X 1.75,NI, Ss	2
▲	25 1039190	(000000-004999)	Pin, Clevis, 0.25d X 2.00l	1
▲	26 08178	(000000-004999)	Pin, Cotter, .062 X 0.75	1
▲	27 01684	(000000-004999)	Washer, Flt, .25 Ss	2
▲	28 387237	(000000-004999)	Stud, .31-18 2.75l M8 X 1.25, Ss	2
▲	29 370100	(000000-004999)	Knob, 4-Prong W/.31-18, Insert	2
▲	30 04414	(000000-004999)	Washer, 0.53b 1.88d .12, Stl, Pl	2
▲	31 387433	(000000-004999)	Ring, Mtg, Sqge, .50l	2
▲	32 387500	(000000-004999)	Spring, Cmpr, .87od .042wir 2.0l	2
▲	33 387448	(000000-004999)	Bumper, Poly-E	1
▲	34 387438	(000000-004999)	Bumper, Poly-E	1
▲	35 387257	(000000-) Blade, Sqge, Front, Mp1000, Tile	1

OPTIONS

Fig. 69 - Max Pro 1200 Rear Squeegee Group for Vacuumized Side Squeegee (005000-)

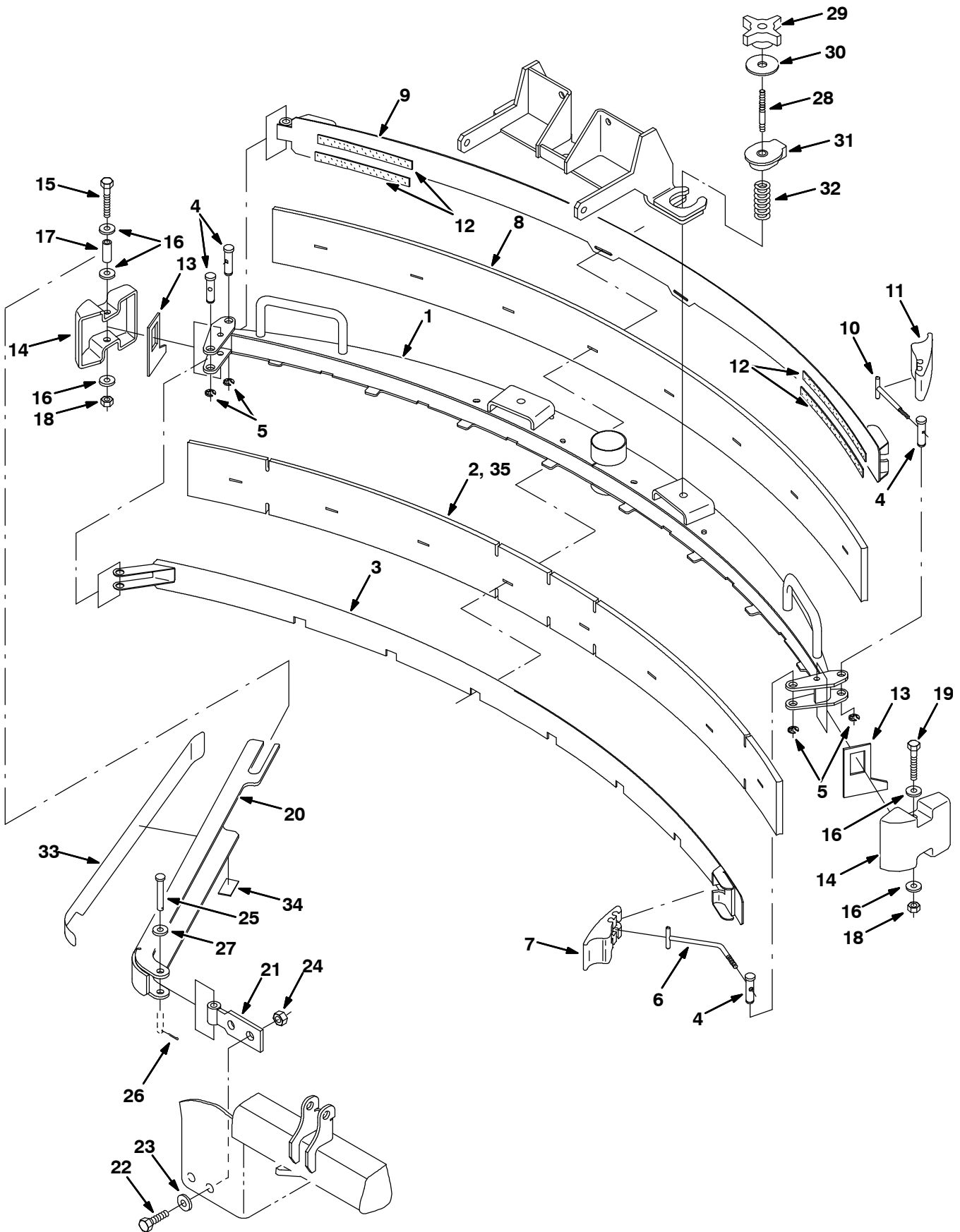
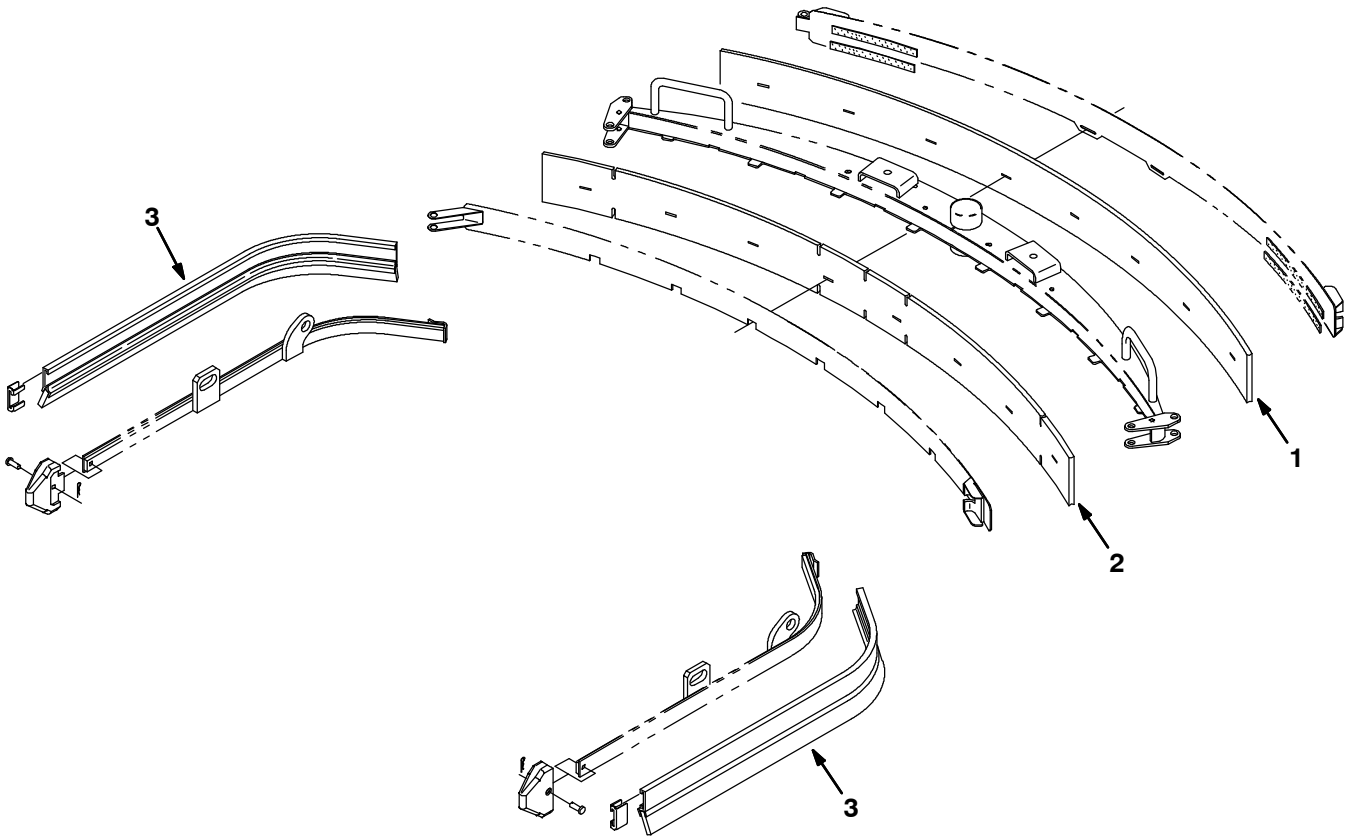


Fig. 69 - Max Pro 1200 Rear Squeegee Group for Vacuumized Side Squeegee (005000-)

Ref.	Tennant Part No.	Machine Serial Number	Description	Qty.
▽	9006930	(005000-) Squeegee Assy Kit, Rear, Ci [Mp1000]	1
▲	1 1056856	(005000-) Frame Wldt, Sqge, Iron Gray	1
▲	2 386283	(005000-) Blade, Sqge, Front	1
▲	3 386285	(005000-) Clamp Wldt, Front	1
▲	4 21603	(005000-) Pin	4
▲	5 24555	(005000-) Ring, Retaining, Ext	4
▲	6 386298	(005000-) Pin Wldt, Front	1
▲	7 21601	(005000-) Cam	1
▲	8 386284	(005000-) Blade, Sqge, Rear	1
▲	9 386286	(005000-) Clamp Wldt, Rear	1
▲	10 21606	(005000-) Bar Wldt, Retainer, Sqge, Rear	1
▲	11 21602	(005000-) Cam, Rear	1
▲	12 03495	(005000-) Strip, Nonslip	4
▲	13 83874	(005000-) Gasket, Sqge	2
▲	14 386264	(005000-) Bumper, Sqge	2
▲	15 386299	(005000-) Screw, Hex, M08 X 1.25 X 100, Ss	1
▲	16 01685	(005000-) Washer, Flt, .31 Ss	5
▲	17 222497	(005000-) Sleeve	1
▲	18 08713	(005000-) Nut, Hex, Lock, M08 X 1.25,NI, Ss	2
▲	19 09767	(005000-) Screw, Hex, M08 X 1.25 X 70, Ss	1
▲	20 1056471	(005000-) Channel Wldt, Guard, Rh, Iron Gray	1
▲	21 1056466	(005000-) Plate Wldt, Pivot, Guard, Iron Gray	1
▲	22 12309	(005000-) Screw, Hex, M12 X 1.75 X 30, Ss	2
▲	23 41619	(005000-) Washer, Flt, .50 Ss	2
▲	24 09741	(005000-) Nut, Hex, Lock, M12 X 1.75,NI, Ss	2
▲	25 1039190	(005000-) Pin, Clevis, 0.25d X 2.00l	1
▲	26 08178	(005000-) Pin, Cotter, .062 X 0.75	1
▲	27 01684	(005000-) Washer, Flt, .25 Ss	2
▲	28 387237	(005000-) Stud, .31-18 2.75l M8 X 1.25, Ss	2
▲	29 370100	(005000-) Knob, 4-Prong W/.31-18, Insert	2
▲	30 04414	(005000-) Washer, 0.53b 1.88d .12, Stl, Pl	2
▲	31 387433	(005000-) Ring, Mtg, Sqge, .50l	2
▲	32 387500	(005000-) Spring, Cmpr, .87od .042wir 2.0l	2
▲	33 387448	(005000-) Bumper, Poly-E	1
▲	34 387438	(005000-) Bumper, Poly-E	1
▲	35 387257	(000000-) Blade, Sqge, Front, Mp1000, Tile	1

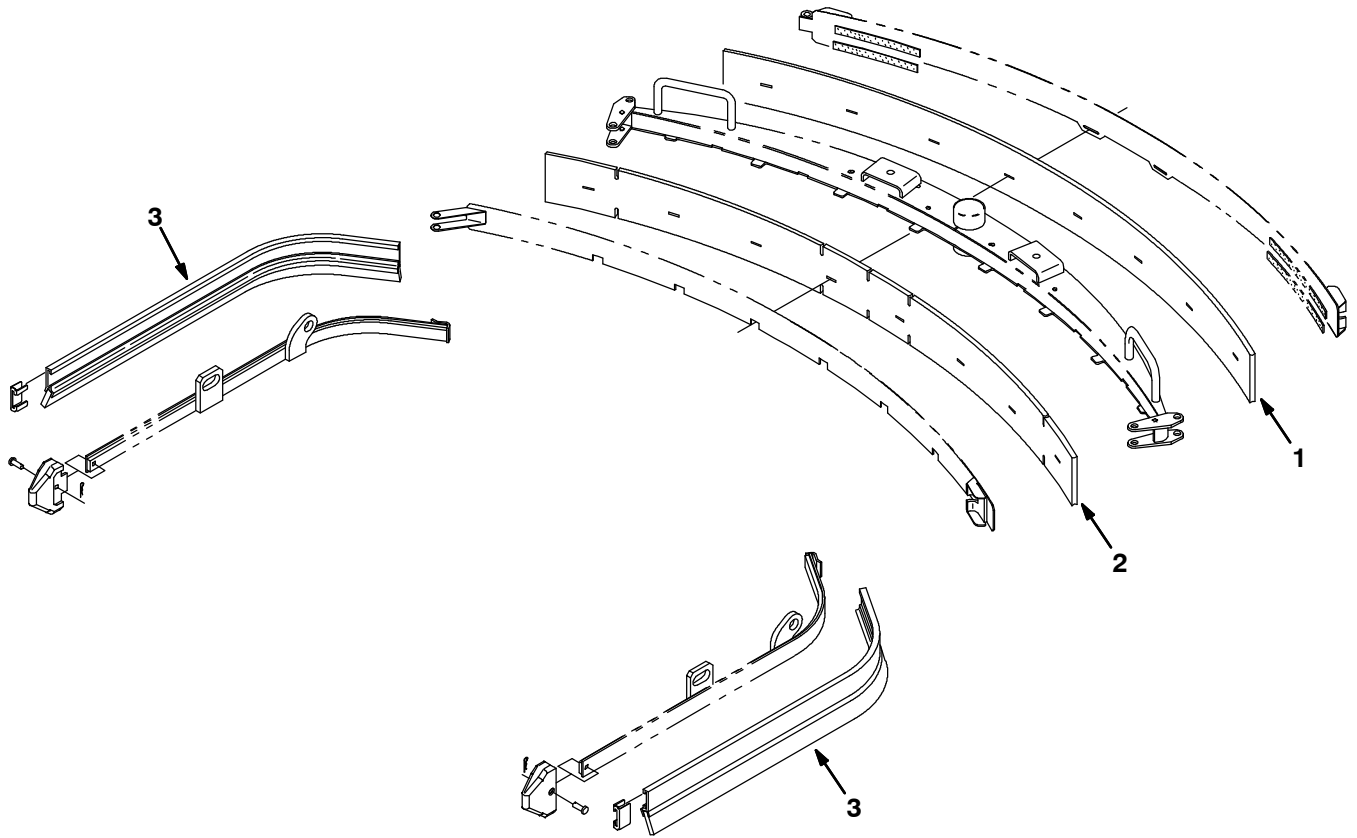
Fig. 70 - Max Pro 1000 Urethane Squeegee Kit



354351

Ref.	Tenant Part No.	Machine Serial Number	Description	Qty.
▽	9001397	(000000-) Blade Kit, Sqge, Ure, [Mp1000]	1
▲ 1	1022564	(000000-) Blade, Sqge, Rear	1
▲ 2	1022565	(000000-) Blade, Sqge, Front	1
▲ 3	1019344	(000000-) Squeegee, Side, Ure, [7300/830]	2

Fig. 71 - Max Pro 1200 Urethane Squeegee Kit



354351

	Ref.	Tennant Part No.	Machine Serial Number	Description	Qty.
▽		9001398	(000000-) Blade Kit, Sqge, Ure, [Mp1200]	1
▲	1	1022558	(000000-) Blade, Sqge, Rear	1
▲	2	1022465	(000000-) Blade, Sqge, Front	1
▲	3	1019344	(000000-) Squeegee, Side, Ure, [7300/830]	2

Fig. 72 - Battery Rollout Kit

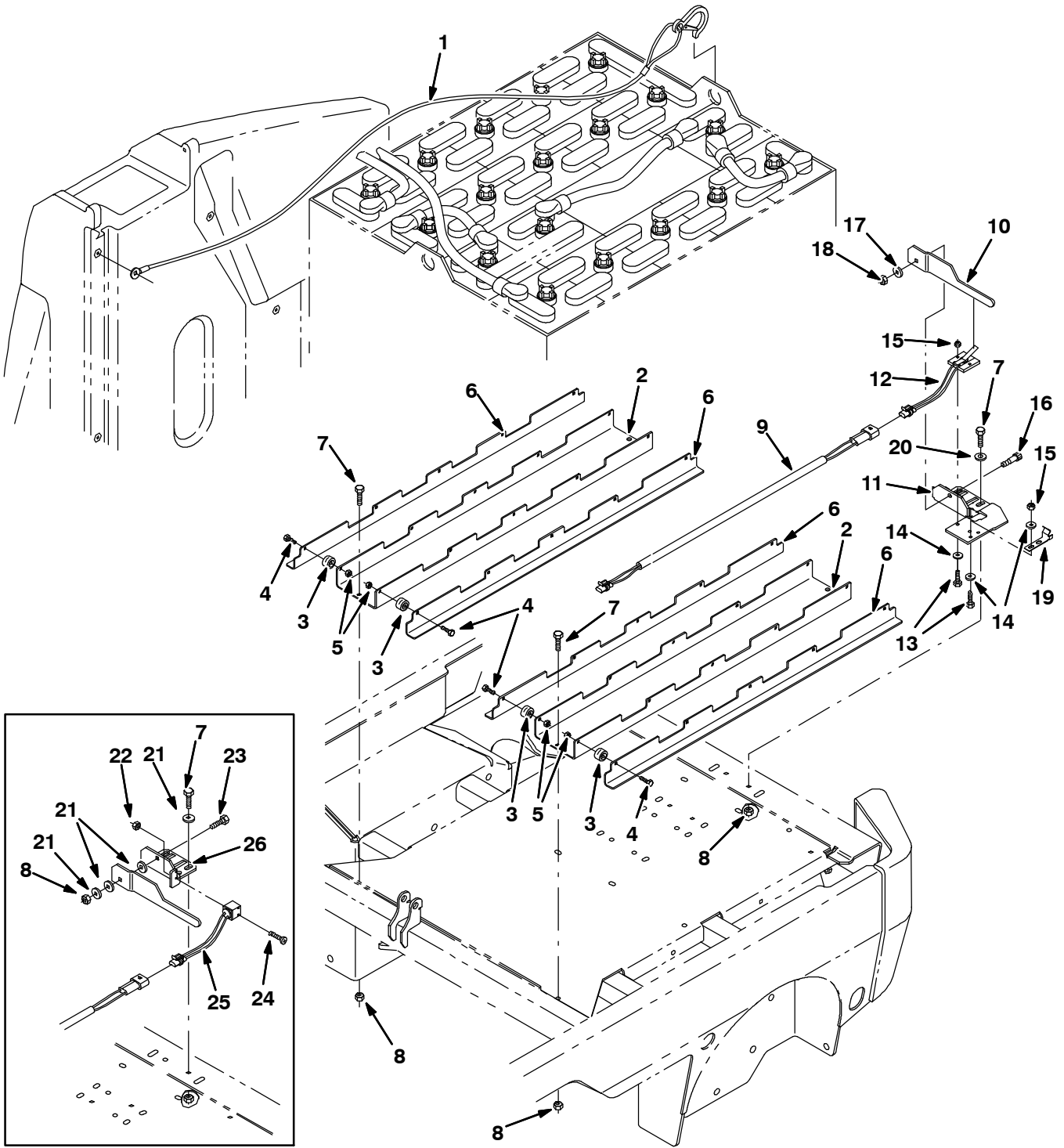


Fig. 72 - Battery Rollout Kit

Ref.	Tennant Part No.	Machine Serial Number	Description	Qty.
▽	387043	(000000-) Kit, Ci, Battery, Rollout	1
▲	1 386968	(000000-) Cable, Safety, Battery	1
▲	2 1056916	(000000-) Channel, Battery, R/O, Iron Gray	2
▲	3 369415	(000000-) Bearing, Needle, 0.25b 0.88d 0.50w	20
▲	4 07805	(000000-) Screw, Hex, M06 X 1.0 X 35, Ss	20
▲	5 08712	(000000-) Nut, Hex, Lock, M06 X 1.0, NI, Ss	20
▲	6 1056915	(000000-) Angle, Battery, R/O, Iron Gray	4
▲	7 09740	(000000-) Screw, Hex, M08 X 1.25 X 20, Ss	6
▲	8 08713	(000000-) Nut, Hex, Lock, M08 X 1.25,NI, Ss	6
▲	9 386607	(000000-) Harness, Battery, Rollout [7300/8300]	1
▲	10 1057644	(000000-) Bar Wldt, Battery, R/O	1
▲	11 1056940	(001793-) Stop Wldt, Iron Gray	1
▲	12 377341	(001793-) Switch, Limit, No	1
▲	13 24199	(001793-) Screw, Hex, M5 X 0.8 X 16, Ss	4
▲	14 01683	(001793-) Washer, Flat, #10 Ss	4
▲	15 09739	(001793-) Nut, Hex, Lock, M 5 X 0,8, NI, Ss	4
▲	16 02129	(001793-) Bolt, Shld, .38DX0.38, .31-18	1
▲	17 39349	(001793-) Washer, Flat, 0.31 Sae	1
▲	18 01760	(001793-) Nut, Hex, Lock, .31-18, NI, Thin	1
▲	19 1007107	(001793-) Latch, Handle	1
▲	20 01685	(001793-) Washer, Flat, 0.31 Ss	2
	21 01685	(000000-001792) Washer, Flt, .31 Ss	5
	22 33932	(000000-001792) Nut, Hex, Lock, M 4 X 0.7, NI Ss	5
	23 09023	(000000-001792) Screw, Hex, M08 X 1.25 X 35, Ss	1
	24 09198	(000000-001792) Screw, Pan, M04 X 0.7 X 35, Ss	2
	25 387027	(000000-001792) Switch, No (Replaced by 398454)	1
	26 387441	(000000-001792) Stop Wldt (Replaced by 398454)	1

Fig. 73 - Battery Forklift Kit

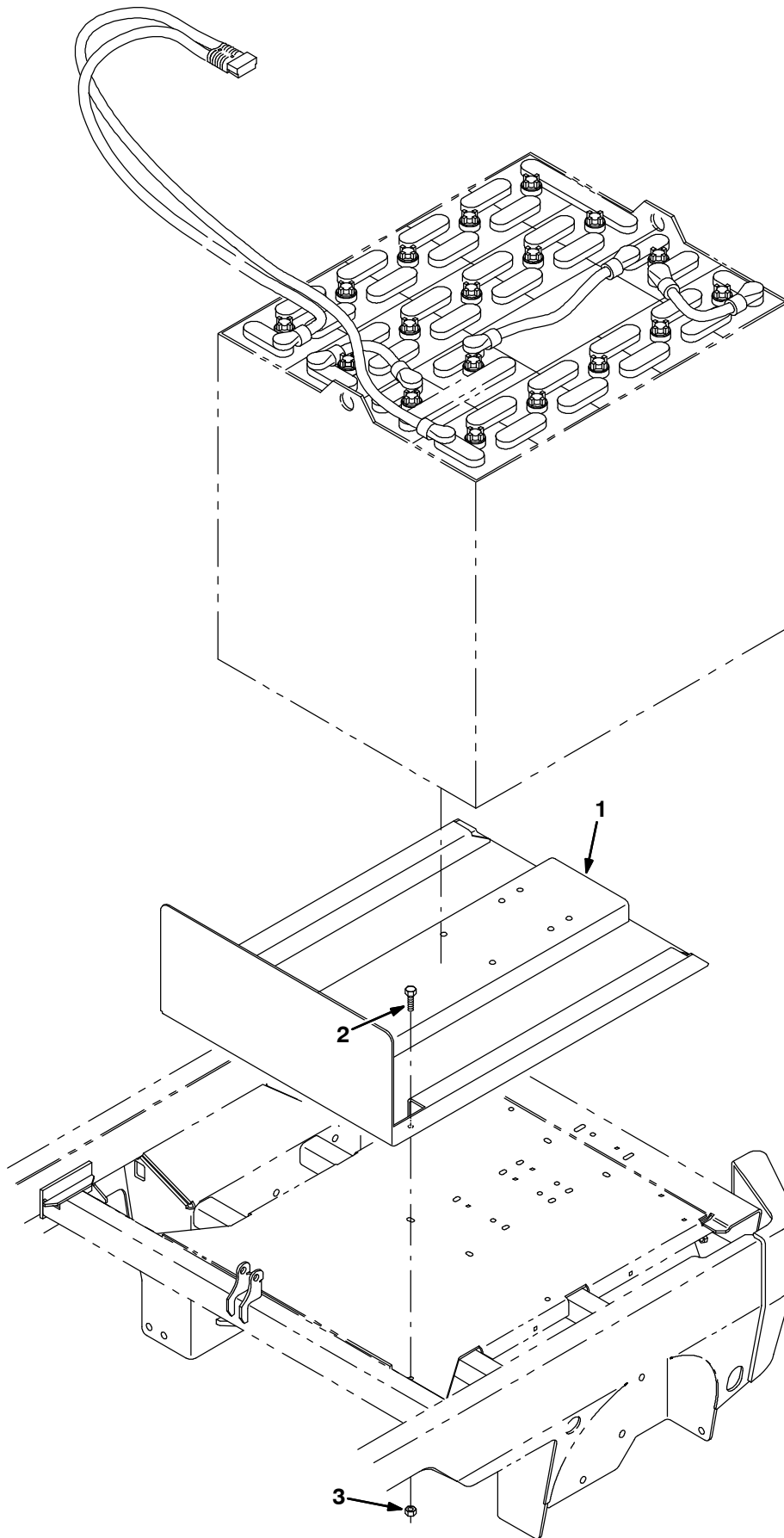


Fig. 73 - Battery Forklift Kit

	Ref.	Tennant Part No.	Machine Serial Number	Description	Qty.
▽		387000	(000000-) Kit, Ci, Fork Lift, Battery	1
▲	1	1056883	(000000-) Cradle Wldt, Battery, Iron Gray	1
▲	2	09740	(000000-) Screw, Hex, M08 X 1.25 X 20, Ss	4
▲	3	08713	(000000-) Nut, Hex, Lock, M08 X 1.25,NI, Ss	4

Fig. 74 - Battery Kit, 380AH Wet

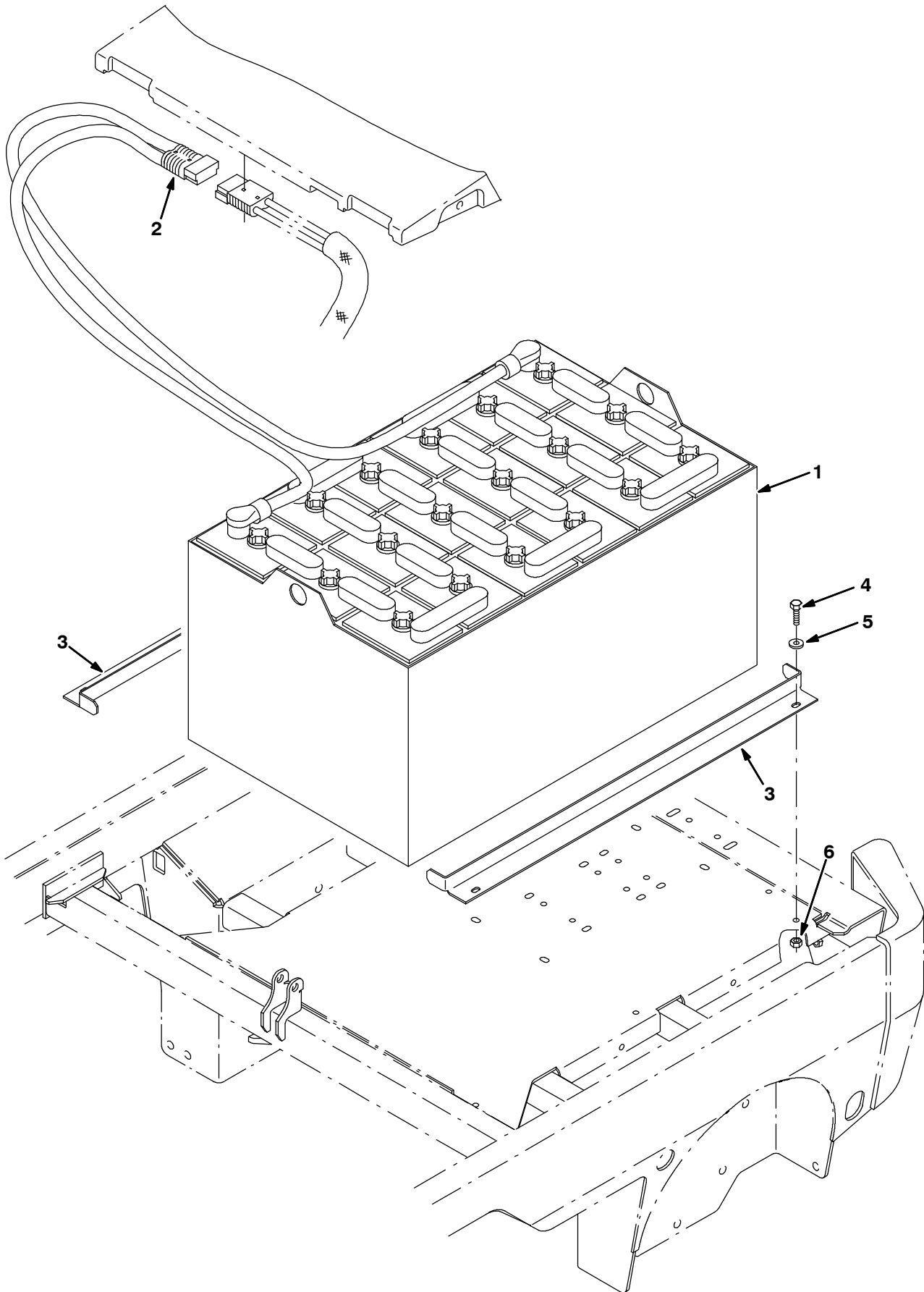


Fig. 74 - Battery Kit, 380AH Wet

	Ref.	Tennant Part No.	Machine Serial Number	Description	Qty.
▽		387324	(000000-) Kit, Ci, Battery, 36vdc, 380ah, Wet	1
▲▽	1	387322	(000000-) Battery, 36Vdc, 380Ah, Wet	1
▲▲	2	01726	(000000-) Connector, Anderson, 350A, Gray	1
▲	3	1056927	(000000-) Spacer, Battery, Stl, Iron Gray	2
▲	4	09740	(000000-) Screw, Hex, M08-1.25 X 20, Ss	4
▲	5	01685	(000000-) Washer, Flat, .31 Ss	4
▲	6	08713	(000000-) Nut, Hex, Lock, M08-1.25, NI, Ss	4

Fig. 75 - Battery Kit, 500AH Wet

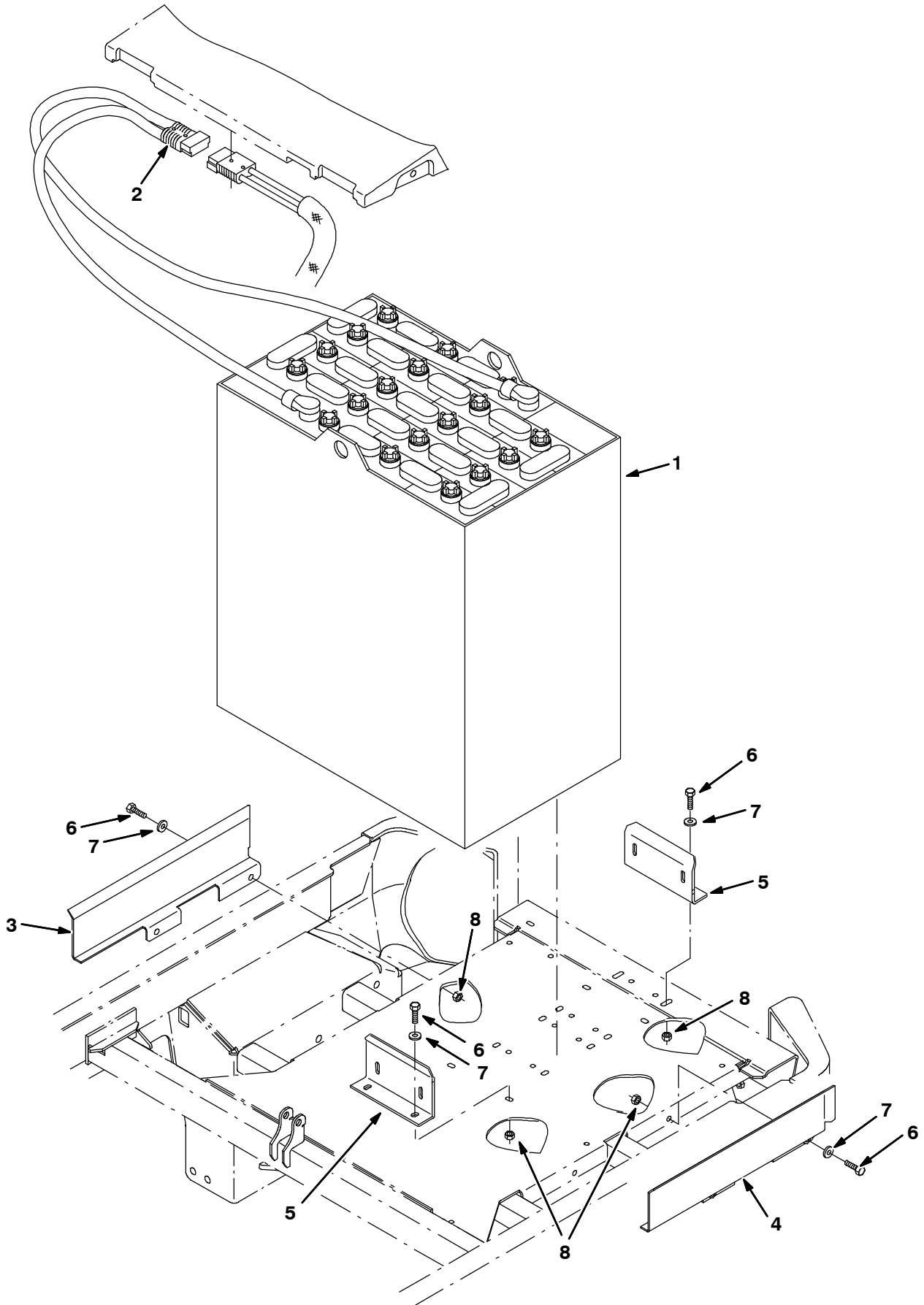


Fig. 75 - Battery Kit, 500AH Wet

	Ref.	Tennant Part No.	Machine Serial Number	Description	Qty.
▽		386932	(000000-) Battery Kit, Wet, 36vdc 0500ah, Ci	1
▲▽	1	386335	(000000-) Battery, Wet, 36vdc 0500ah	1
▲▲	2	01726	(000000-) Connector, 350a, Gray [Anderson]	1
▲	3	1056895	(000000-) Spacer, Battery, Rh, Iron Gray	1
▲	4	1056896	(000000-) Spacer, Battery, Lh, Iron Gray	1
▲	5	1056878	(000000-) Spacer, Battery, Rear, Iron Gray	2
▲	6	09740	(000000-) Screw, Hex, M8 X 1.25 X 20, Ss	8
▲	7	01685	(000000-) Washer, Flat, 0.38b 0.88d .08, Ss	8
▲	8	08713	(000000-) Nut, Hex, Lock, M8 X 1.25, NI, Ss	8

Fig. 76 - Battery Kit, 600AH (000000-004999)

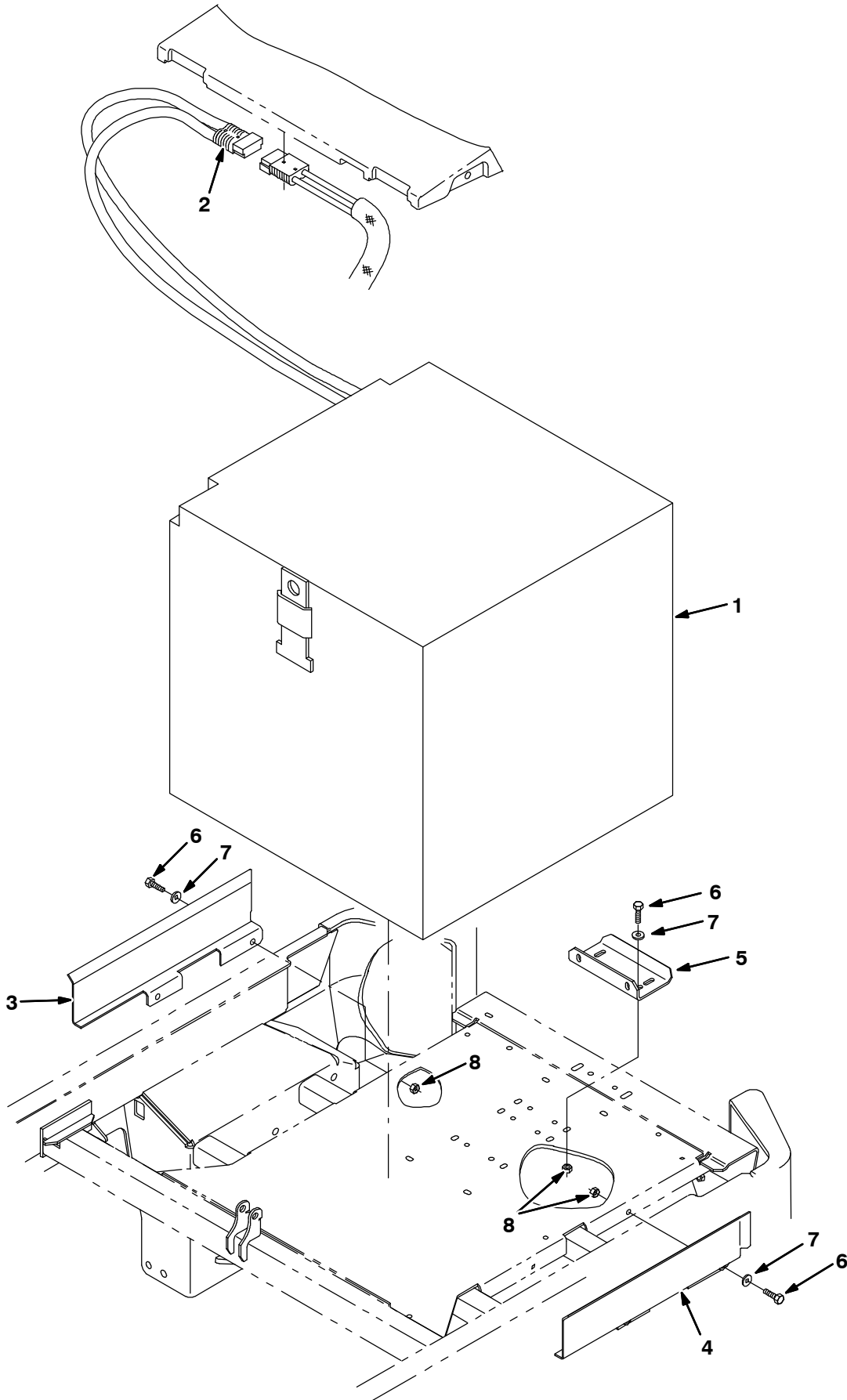


Fig. 76 - Battery Kit, 600AH (000000-004999)

	Tennant	Machine			
Ref.	Part No.	Serial Number	Description	Qty.	
▽	386934	(000000-004999)	Kit, Ci, Battery, 36vdc, 600ah, Sealed	1	
▲▽	1 386334	(000000-004999)	Battery, 36vdc, 600ah, Sealed	1	
▲▲	2 01726	(000000-004999)	Connector, Anderson, 350A, Gray	1	
▲	3 386573	(000000-004999)	Spacer, Battery, Rh	1	
▲	4 386574	(000000-004999)	Spacer, Battery, Lh	1	
▲	5 1056878	(000000-004999)	Spacer, Battery, Rear, Iron Gray	1	
▲	6 09740	(000000-004999)	Screw, Hex, M08 X 1.25 X 20, Ss	6	
▲	7 01685	(000000-004999)	Washer, Flt, .31 Ss	6	
▲	8 08713	(000000-004999)	Nut, Hex, Lock, M08 X 1.25,NI, Ss	6	

Fig. 77 - Battery Kit, 600AH (005000-)

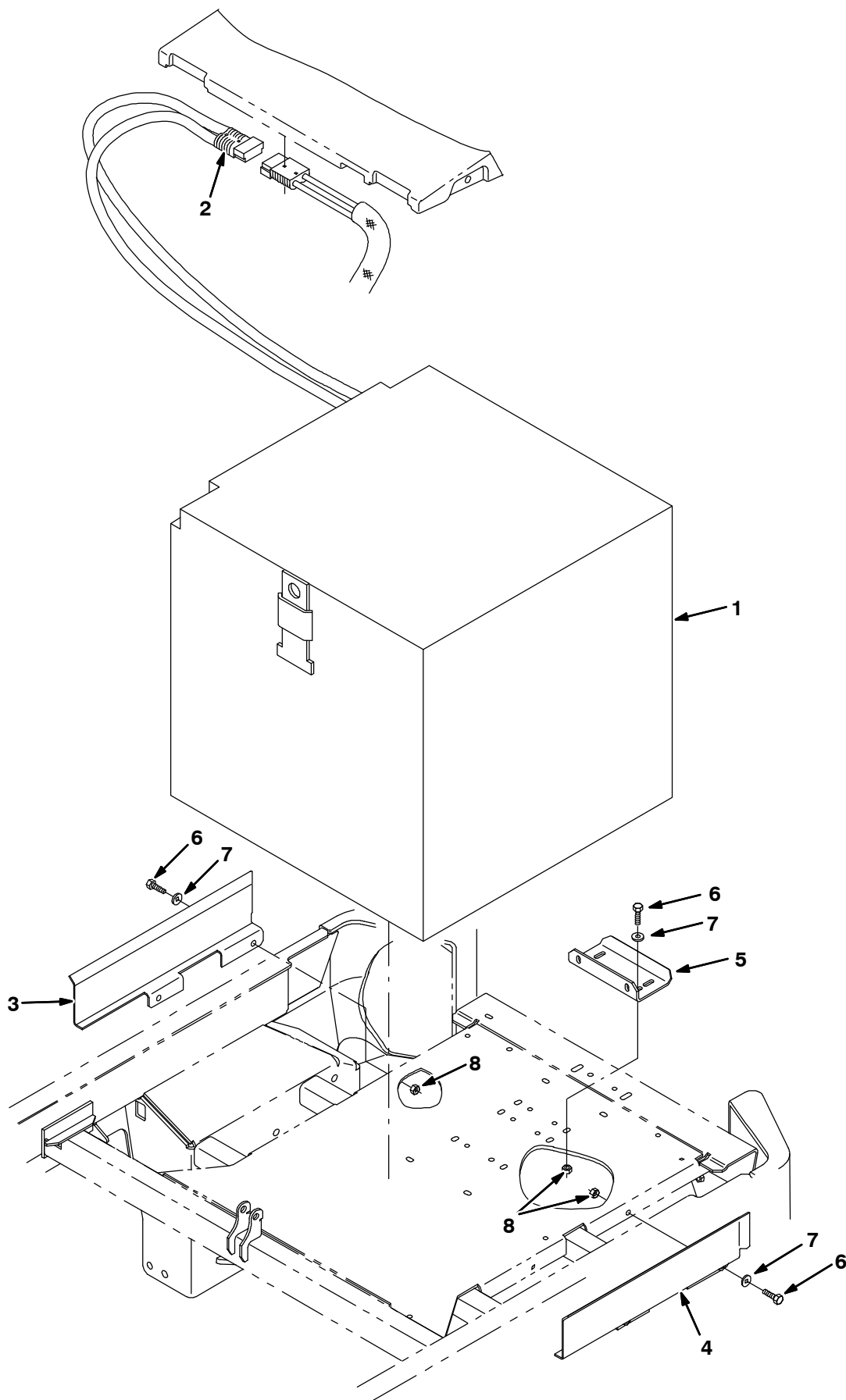


Fig. 77 - Battery Kit, 600AH (005000-)

	Tennant Ref.	Part No.	Machine Serial Number	Description	Qty.
▽		9006938	(000000-005000)	Battery Kit, 36vdc 0600ah, Sealed, Ci	1
▲▽	1	386334	(000000-005000)	Battery, 36vdc, 600ah, Sealed	1
▲▲	2	01726	(000000-005000)	Connector, Anderson, 350A, Gray	1
▲	3	1056787	(000000-005000)	Spacer, Battery, Rh, Iron Gray	1
▲	4	1056788	(000000-005000)	Spacer, Battery, Lh, Iron Gray	1
▲	5	1056878	(000000-005000)	Spacer, Battery, Rear, Iron Gray	1
▲	6	09740	(000000-005000)	Screw, Hex, M08 X 1.25 X 20, Ss	6
▲	7	01685	(000000-005000)	Washer, Flt, .31 Ss	6
▲	8	08713	(000000-005000)	Nut, Hex, Lock, M08 X 1.25,NI, Ss	6

Fig. 78 - Battery Kit, 750AH Wet

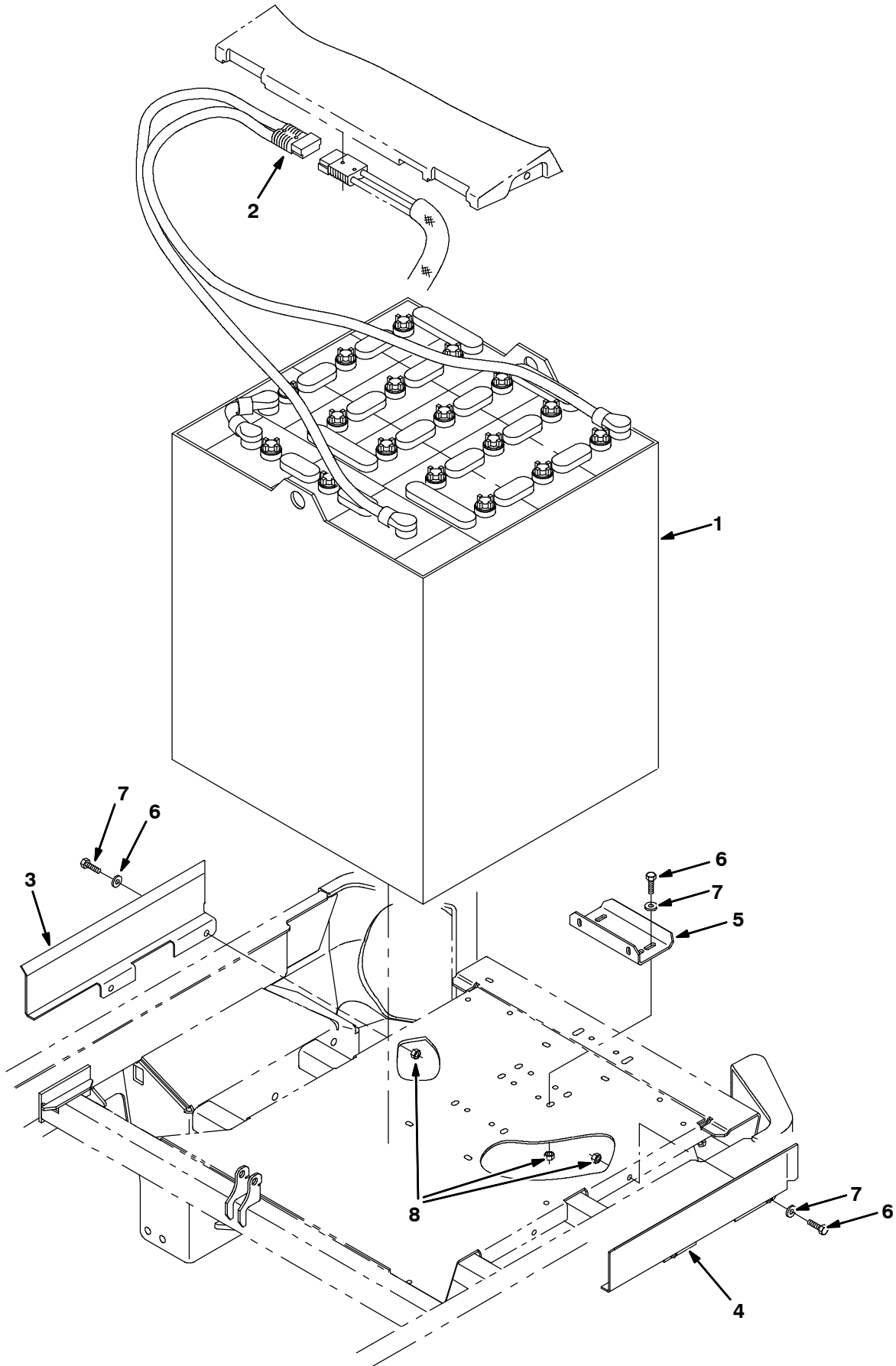
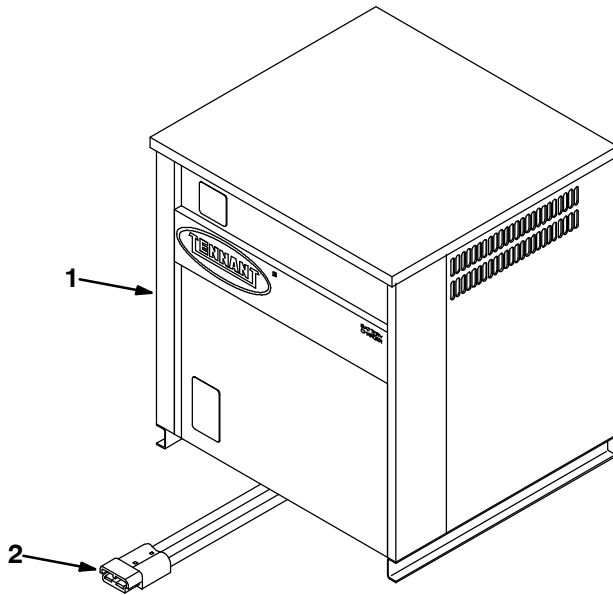


Fig. 78 - Battery Kit, 750AH Wet

	Ref.	Tennant Part No.	Machine Serial Number	Description	Qty.
▽		386936	(000000-) Kit, Ci, Battery, 36vdc, 750ah, Wet	1
▲▽	1	1018515	(000000-) Battery, Wet, 36vdc 0750ah	1
▲▲	2	01726	(000000-) Connector, 350a, Gray [Anderson]	1
▲	3	1056895	(000000-) Spacer, Battery, Rh, Iron Gray	1
▲	4	1056896	(000000-) Spacer, Battery, Lh, Iron Gray	1
▲	5	1056878	(000000-) Spacer, Battery, Rear, Iron Gray	1
▲	6	09740	(000000-) Screw, Hex, M8 X 1.25 X 20, Ss	6
▲	7	01685	(000000-) Washer, Flat, 0.38b 0.88d .08, Ss	6
▲	8	08713	(000000-) Nut, Hex, Lock, M8 X 1.25, NI, Ss	6

OPTIONS

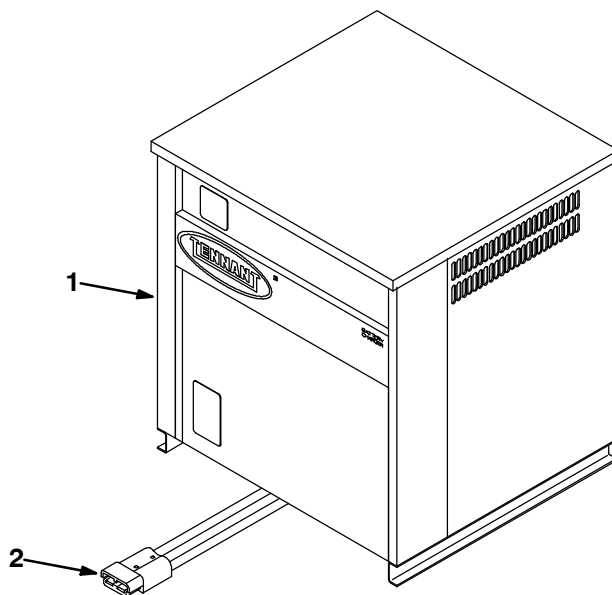
Fig. 79 - Battery Charger Group, 75A, 36V, 60Hz 1PH (380Ah Batteries)



353364 - 7300, NA

	Ref.	Tennant Part No.	Machine Serial Number	Description	Qty.
▽	1	398281	(000000-) Charger, 36V/75A 60Hz/1Ph	1
▲	2	01726	(000000-) Connector, Anderson, 350A, Gray	1

Fig. 80 - Battery Charger Group, 75A, 36V, 60Hz 3Ph (380Ah Batteries)

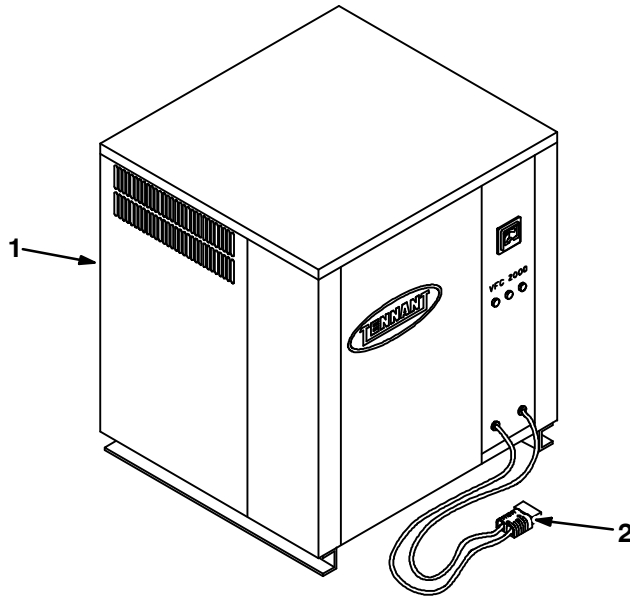


353364 - 7300, NA

	Ref.	Tennant Part No.	Machine Serial Number	Description	Qty.
▽	1	398283	(000000-) Charger, 36V/75A 60Hz/3Ph	1
▲	2	01726	(000000-) Connector, Anderson, 350A, Gray	1

OPTIONS

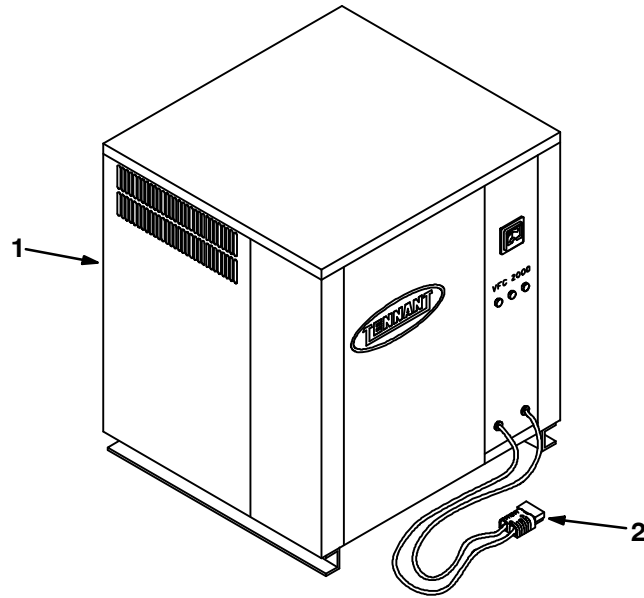
Fig. 81 - Battery Charger Group, 120A, 36V, 60Hz 1Ph (500Ah Batteries)



06051 - NA

	Ref.	Tennant Part No.	Machine Serial Number	Description	Qty.
▽	1	398285	(000000-) Charger, 36V/120A 60H/1Ph 480V	1
▲	2	01726	(000000-) Connector, Andersn 350A, Gray	1

Fig. 82 - Battery Charger Group, 120A, 36V, 60Hz 3Ph (500Ah Batteries)

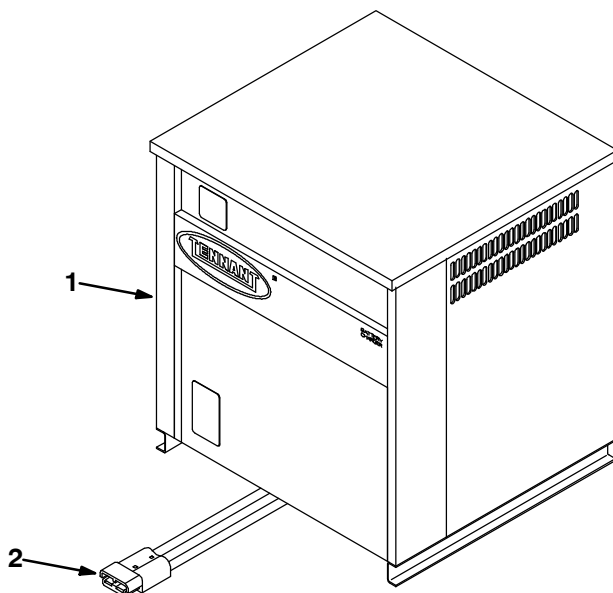


06051 - NA

	Ref.	Tennant Part No.	Machine Serial Number	Description	Qty.
▽	1	398288	(000000-) Charger, 36V/120A 60H/3Ph 480V	1
▲	2	01726	(000000-) Connector, Andersn 350A,Gray	1

OPTIONS

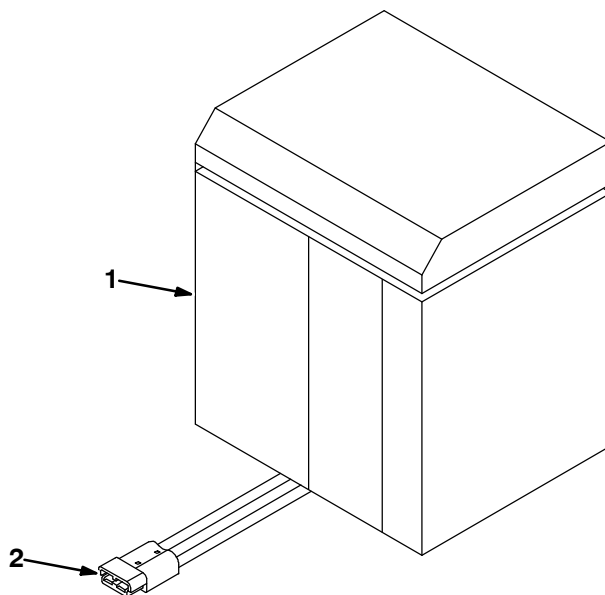
Fig. 83 - Battery Charger Group, 150A, 36V, 60Hz (750Ah Batteries)



353364 - NA

	Ref.	Tennant Part No.	Machine Serial Number	Description	Qty.
▽	1	398292	(000000-) Charger, 36V/150A 60Hz	1
▲	2	01726	(000000-) Connector, Anderson, 350A, Gray	1

Fig. 84 - Battery Charger Group, 93A, 36V, 60Hz 1Ph (600Ah Batteries)

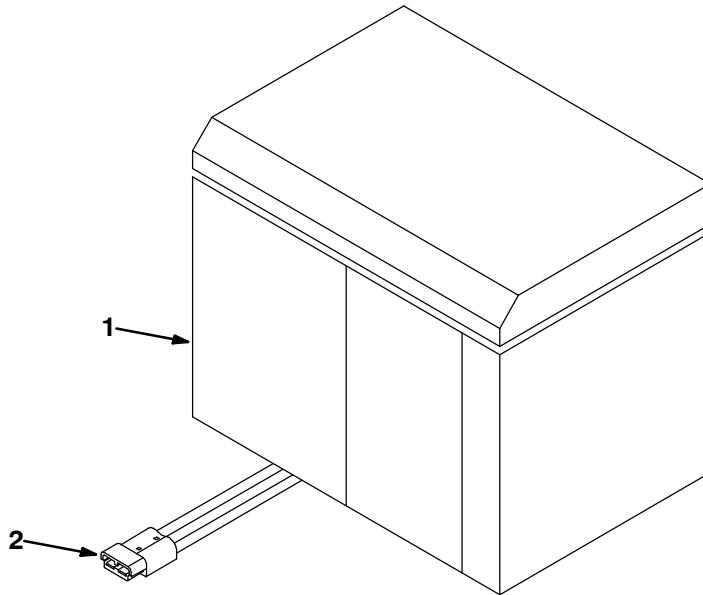


353365 - NA

	Ref.	Tenant Part No.	Machine Serial Number	Description	Qty.
▽	1	386338	(000000-) Charger, 36V/93A 60Hz, 1Ph, Sealed	1
▲	2	01726	(000000-) Connector, Anderson, 350A, Gray	1

OPTIONS

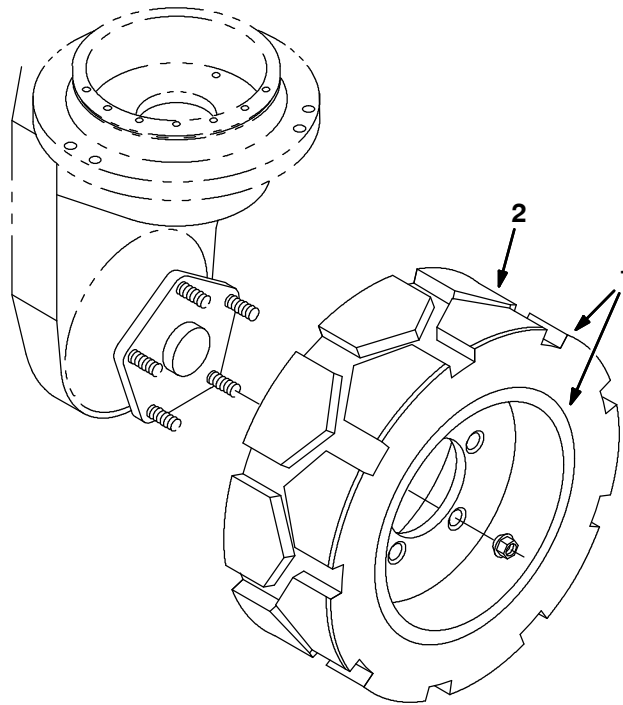
Fig. 85 - Battery Charger Group, 93A, 36V, 60Hz 3Ph (600Ah Batteries)



353366 - NA

	Ref.	Tennant Part No.	Machine Serial Number	Description	Qty.
▽	1	386344	(000000-) Charger, 36V/93A 60Hz, 3Ph, Sealed	1
▲	2	01726	(000000-) Connector, Anderson, 350A, Gray	1

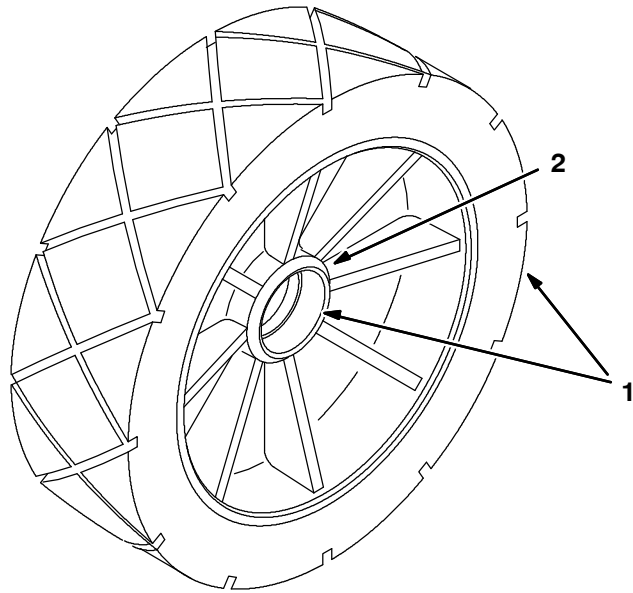
Fig. 86 - Tire, Non-Mark, Non-Skid, Front Drive



353308-1 - NA

	Ref.	Tennant Part No.	Machine Serial Number	Description	Qty.
▽	1	48591	(000000-) Tire Assy, Solid, 16.3x6.0 5.7bc/5bolt	1
▲	2	48589	(000000-) Tire, Non-Skid 16.25x6x11.25	1

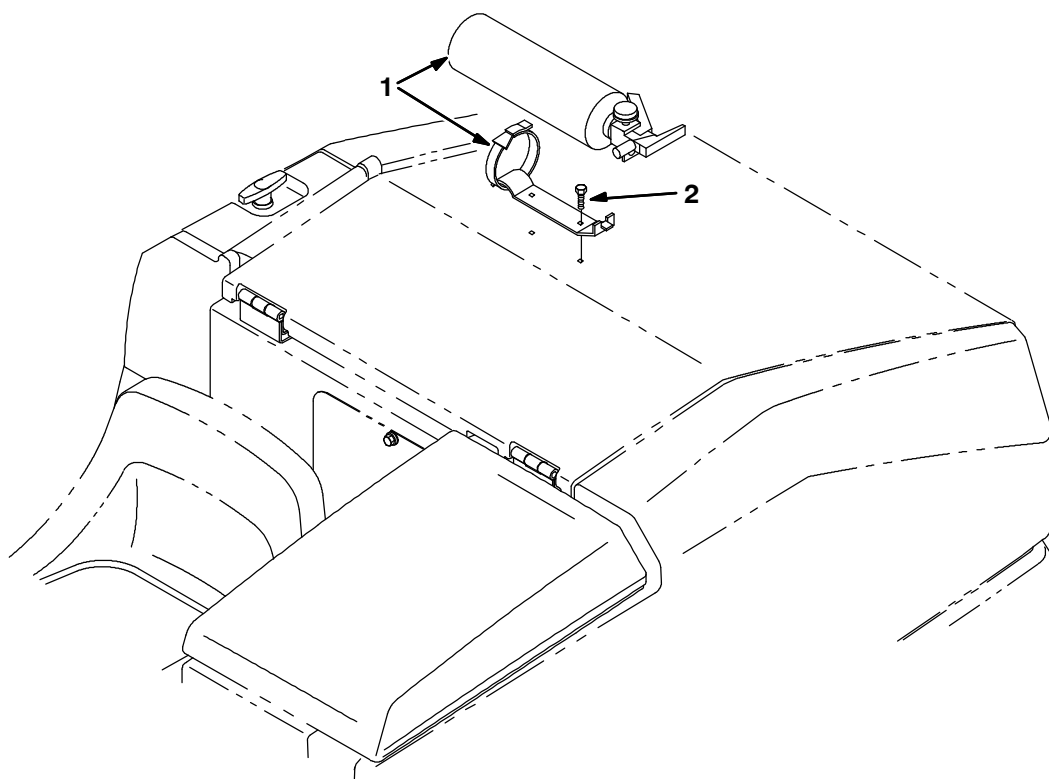
Fig. 87 - Tire, Non-Mark, Non-Skid, Rear



353369 - NA

	Ref.	Tennant Part No.	Machine Serial Number	Description	Qty.
▽	1	387015	(000000-)	Tire Assy, 16 X 5 X 12.12 Non-Skid	2
▲	2	51338	(000000-)	Bearing, Cup, 2.56D 0.55W	1

Fig. 88 - Fire Extinguisher Kit



353282 - NA

	Ref.	Tennant Part No.	Machine Serial Number	Description	Qty.
▽		387457	(000000-) Kit, CI, Extinguisher, Fire, [7300/8300]	1
▲▽	1	25312	(000000-) Extinguisher, Fire	1
▲▲	2	360973	(000000-) Screw, Pan, #12-16 x 0.50, F/Plstc	2

Fig. 89 - Documentation Group

07501 - 7300, NA

Ref.	Tennant Part No.	Machine Serial Number	Description	Qty.
	330610	(000000-) Manual Pkg, (7300 Ele Na)	1
	330611	(000000-) Manual, Fiche, (7300 Ele)	1
	330615	(000000-) Manual, Service, (7300 Ele Na)	1
	330612	(000000-) Manual, Oprtr, (7300 Ele Es Na)	1
	330613	(000000-) Manual, Oprtr, (7300 Ele Fr Na)	1
	387494	(000000-) Video, Operator, Vhs, Ntsc [7300]	1
	1041884	(000000-) Video, Oprtr, Training, Dvd [7300]	1
	9006257	(000000-) Media, Cd-Rom, Training [ec-H2O TENNANT]	1

SECTION 4

Contents	Page
Fig. 1 - Electric Motor Breakdown, 17363 ..	4-2
Fig. 2 - Electric Motor Breakdown, 398520 .	4-4
Fig. 3 - Electric Motor Breakdown, 60198 ..	4-6
Fig. 4 - Electric Motor Breakdown, 386050 .	4-7
Fig. 5 - Electric Motor Breakdown, 386679 .	4-8
Fig. 6 - Electric Motor Breakdown, 387585 .	4-9
Fig. 7 - Electric Motor Breakdown, 386687	4-10
Fig. 8 - Water Pump Breakdown, 387321 ..	4-11
Fig. 9 - Metering Solution Pump Breakdown, 386364	4-12
Fig. 10 - Hydraulic Powerunit Breakdown, 368704	4-13
Fig. 11 - Hydraulic Motor Breakdown, 386703	4-14
Fig. 12 - Steering Control Valve Breakdown, 373495	4-15
Fig. 13 - ec-H2O Module Assembly Breakdown, 9006270	4-16
Fig. 14 - ec-H2O Solution Pump Breakdown, 1005866	4-18
Fig. 15 - FaST Injector Assebmly Breakdown, 9006118	4-19

Fig. 1 - Electric Motor Breakdown, 17363

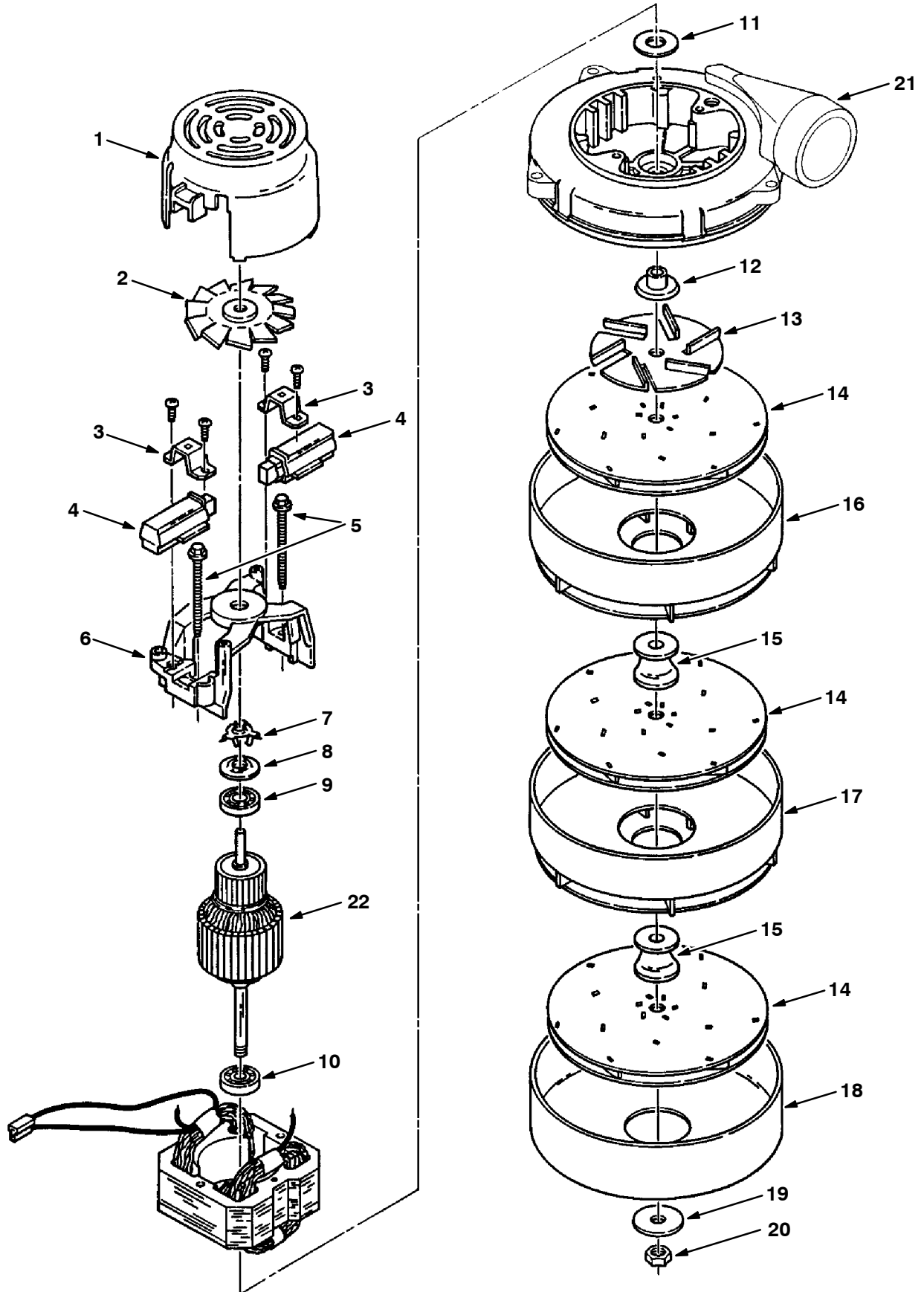


Fig. 1 - Electric Motor Breakdown, 17363

Ref.	Tenant Part No.	Machine Serial Number	Description	Qty.
▽	17363	(000000-) Fan vacuum, 36v	1
▲	1 37926	(000000-) Housing	1
▲	2 61298	(000000-) Fan	1
▲	3 01982	(000000-) Clamp	2
▲	4 11756	(000000-) Brush mechanism	2
▲	5 01969	(000000-) Screw	2
▲	6 01983	(000000-) Comm. bracket	1
▲	7 01856	(000000-) Spring, load	1
▲	8 37909	(000000-) Disc	1
▲	9 01842	(000000-) Bearing	1
▲	10 01837	(000000-) Bearing	1
▲	11 37912	(000000-) Washer, fl neo, 10.8x22x1.5	1
▲	12 18627	(000000-) Spacer	1
▲	13 01971	(000000-) Fan	1
▲	14 18628	(000000-) Fan, rotating	3
▲	15 18630	(000000-) Spacer	2
▲	16 61300	(000000-) Fan, stationary	1
▲	17 61297	(000000-) Fan, stationary	1
▲	18 61301	(000000-) Shell	1
▲	19 378983	(000000-) Washer	1
▲	20 37929	(000000-) Nut	1
▲	21 60386	(000000-) Bracket, Fan End	1
▲	22 21765	(000000-) Armature	1
▲	223264	(000000-) Seal, Fan	1
▲	10925	(000000-) Connector, 2 Conductor	1
▲	10926	(000000-) Terminal, Female	2

Fig. 2 - Electric Motor Breakdown, 398520

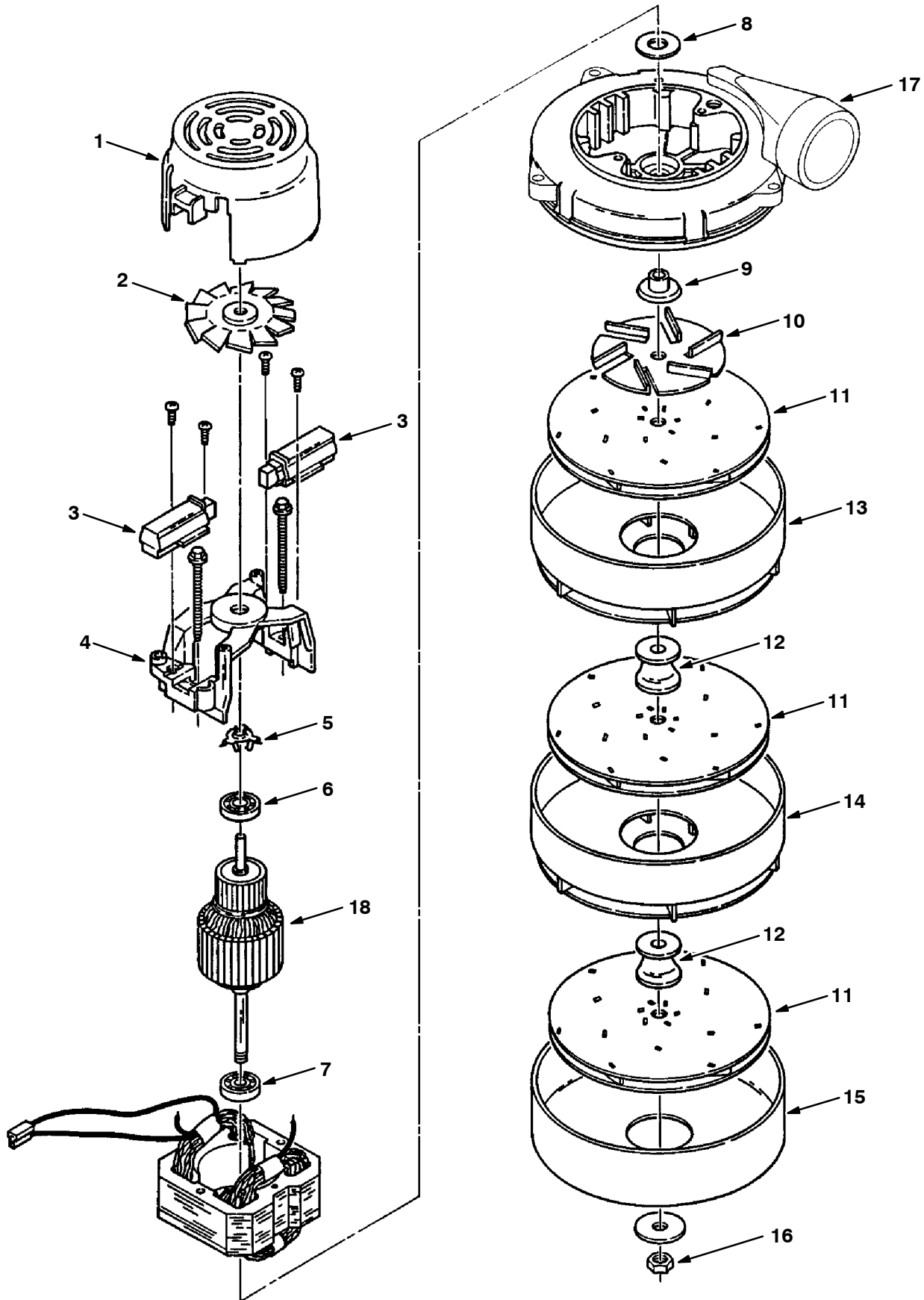
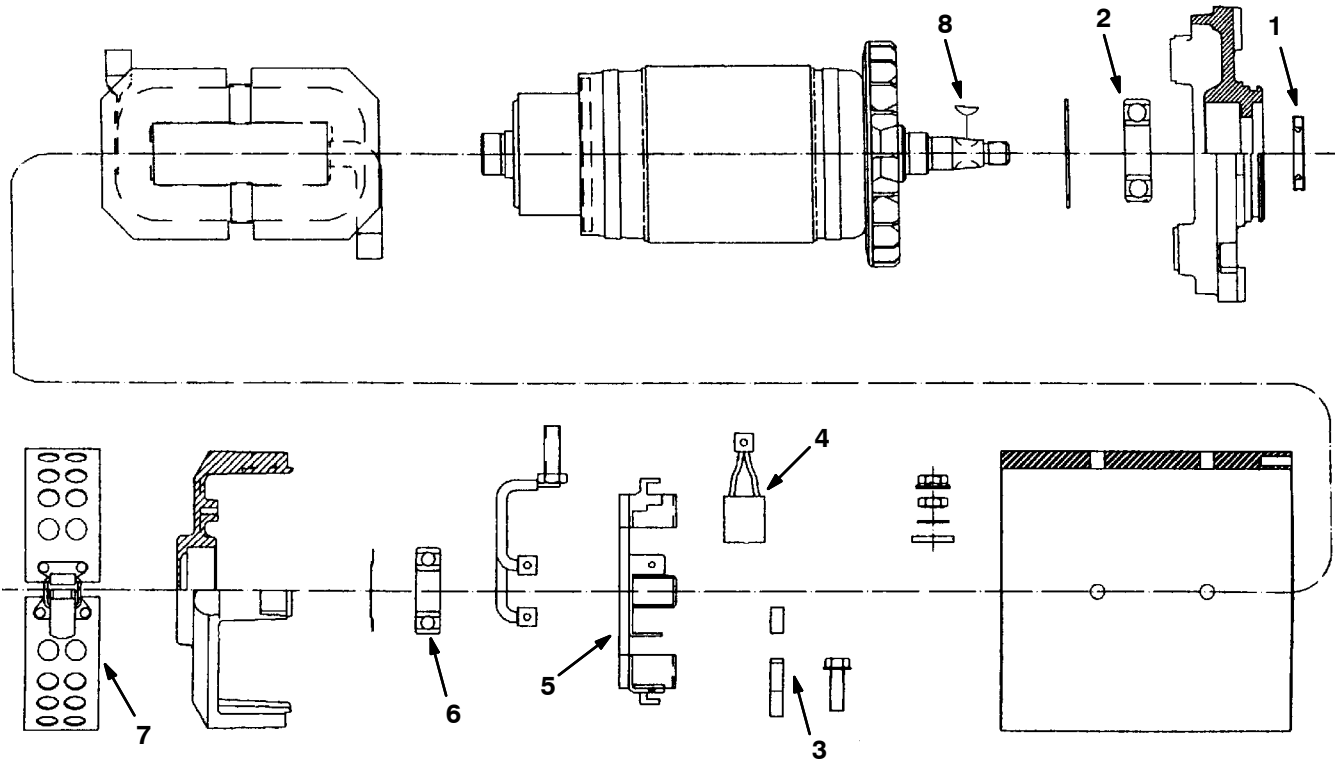


Fig. 2 - Electric Motor Breakdown, 398520

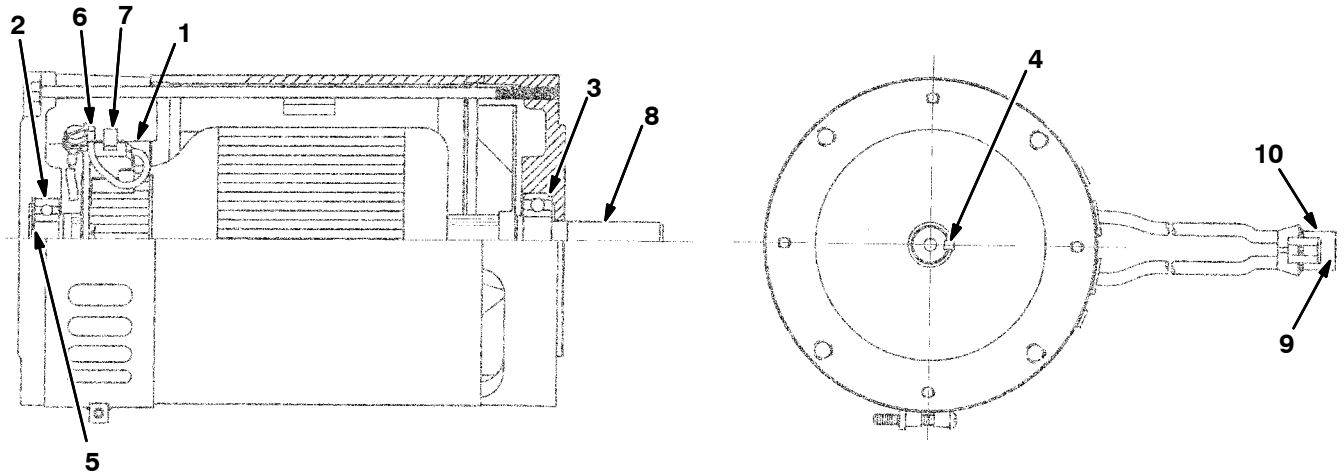
	Ref.	Tenant Part No.	Manufacturer Serial Number	Description	Qty.
▽		398520	(000000-) Fan, Vacuum	1
▲	1	398511	(000000-) Housing	1
▲	2	398512	(000000-) Fan	1
▲	3	398513	(000000-) Brush Mechanism	2
▲	4	398514	(000000-) Comm. Bracket	1
▲	5	01856	(000000-) Spring	1
▲	6	398515	(000000-) Bearing	1
▲	7	01837	(000000-) Bearing	1
▲	8	37912	(000000-) Washer, Neo.	1
▲	9	398516	(000000-) Spacer	1
▲	10	01971	(000000-) Fan	1
▲	11	18628	(000000-) Vacuum Fan	3
▲	12	398517	(000000-) Spacer	2
▲	13	61300	(000000-) Stationary Fan	1
▲	14	61297	(000000-) Stationary Fan	1
▲	15	398518	(000000-) Shell	1
▲	16	37929	(000000-) Nut	1
▲	17	60386	(000000-) Bracket, Fan End	1
▲	18	398519	(000000-) Armature	1
▲		223264	(000000-) Seal, Fan	1
▲		10925	(000000-) Connector, 2 Conductor	1
▲		10926	(000000-) Terminal, Female	2

Fig. 3 - Electric Motor Breakdown, 60198



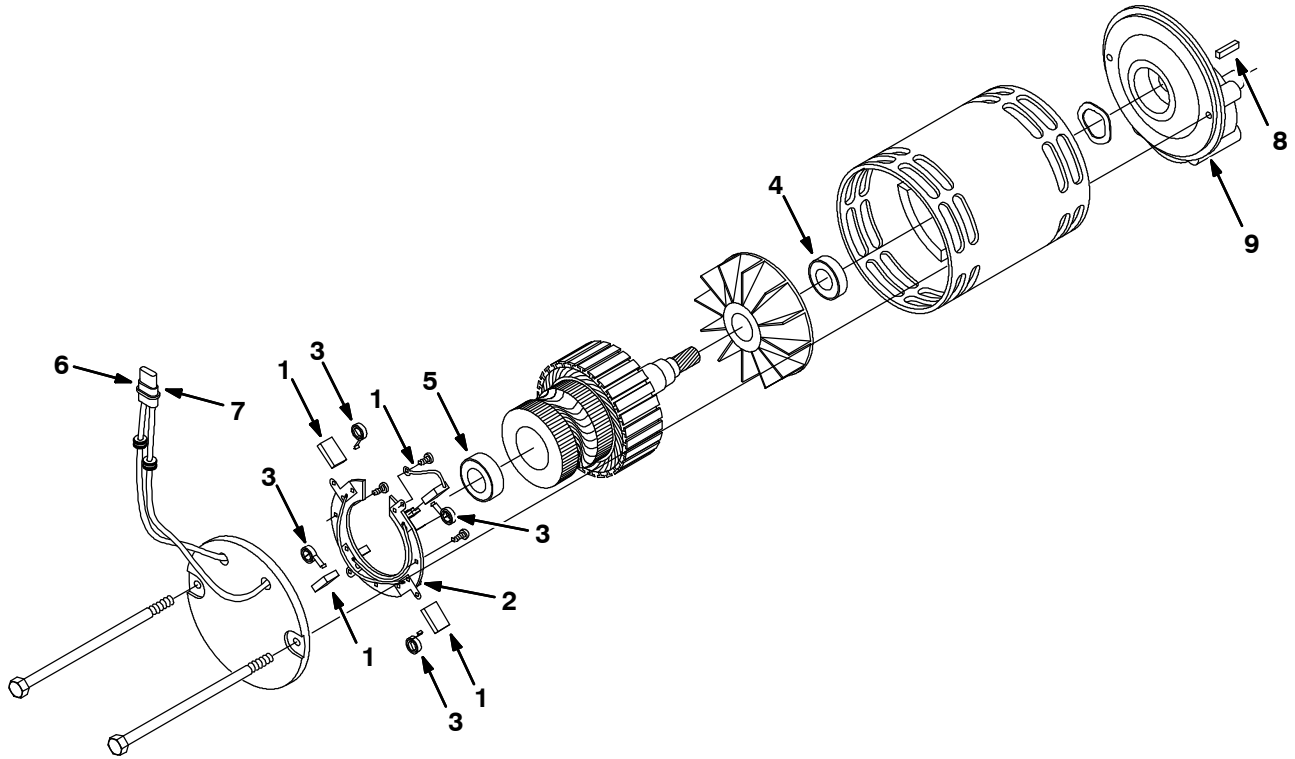
Ref.	Tenant Part No.	Machine Serial Number	Description	Qty.
▽	60198	(000000-) Motor, traction 36v	
▲	1 48753	(000000-) Seal	1
▲	2 48754	(000000-) Bearing	1
▲	3 48755	(000000-) Spring, brush	4
▲▽	4 363491	(000000-) Brush kit, propelling motor	1
▲▲	48756	(000000-) Brush	4
▲	5 48757	(000000-) Brush, box & plate assy	1
▲	6 48758	(000000-) Bearing	1
▲	7 361973	(000000-) Band, Brush Cover	1
▲	8 00500-7	(000000-) Key, Woodruff, 0.16 0.62	1

Fig. 4 - Electric Motor Breakdown, 386050



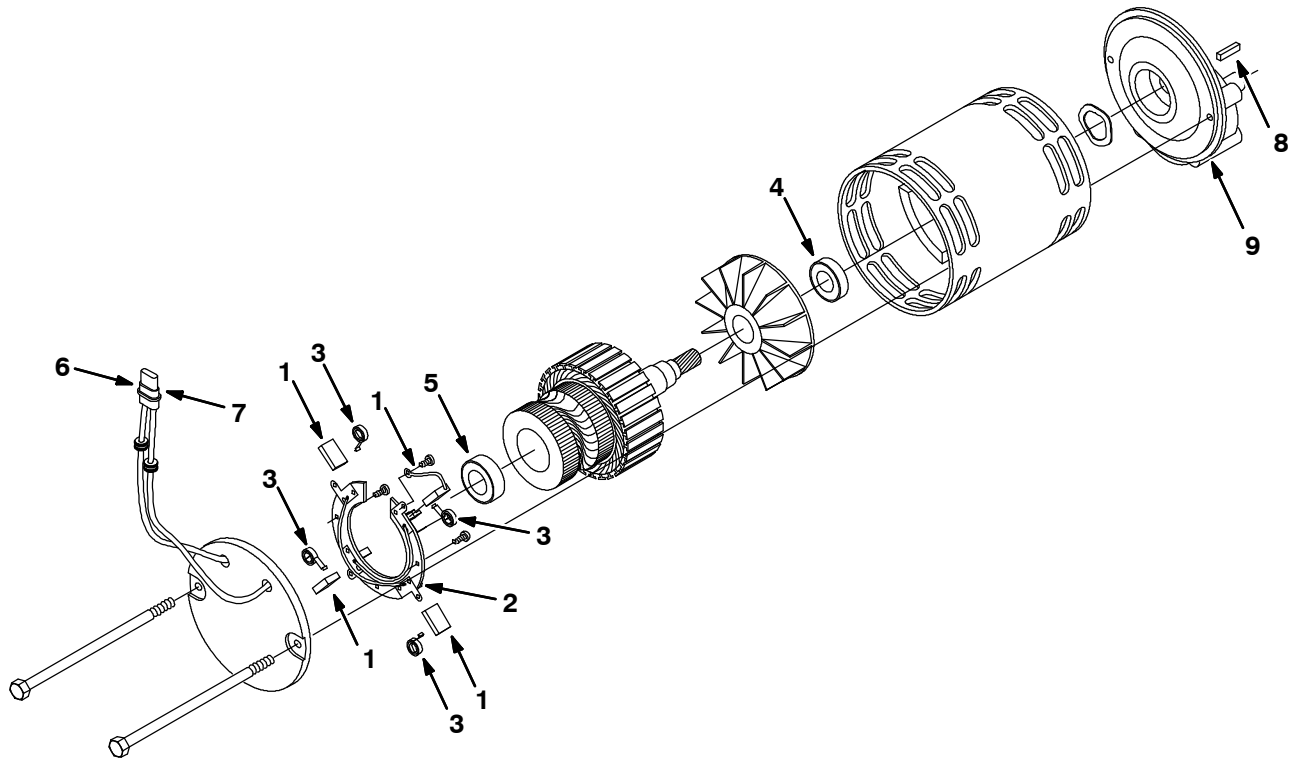
Ref.	Tennant Part No.	Machine Serial Number	Description	Qty.
▽	386050	(000000-) Motor, Ele, 36 Vdc 1500 Rpm 1.5 Hp	
▲	1 41367	(000000-) Brush	4
▲	2 41368	(000000-) Bearing	1
▲	3 41371	(000000-) Bearing	1
▲	4 00918	(000000-) Key, Sq, 0.19 X 0.19, 01.25L	1
▲	5 387250	(000000-) Spring, Bearing	1
▲	6 21800	(000000-) Ring, Brush	1
▲	7 60189	(000000-) Spring	4
▲	8 387251	(000000-) Armature Assy, Complt	1
▲	9 24537	(000000-) Terminal, [Metripk630], Fem 10	2
▲	10 10925	(000000-) Connector, 2-Conductor	1

Fig. 5 - Electric Motor Breakdown, 386679



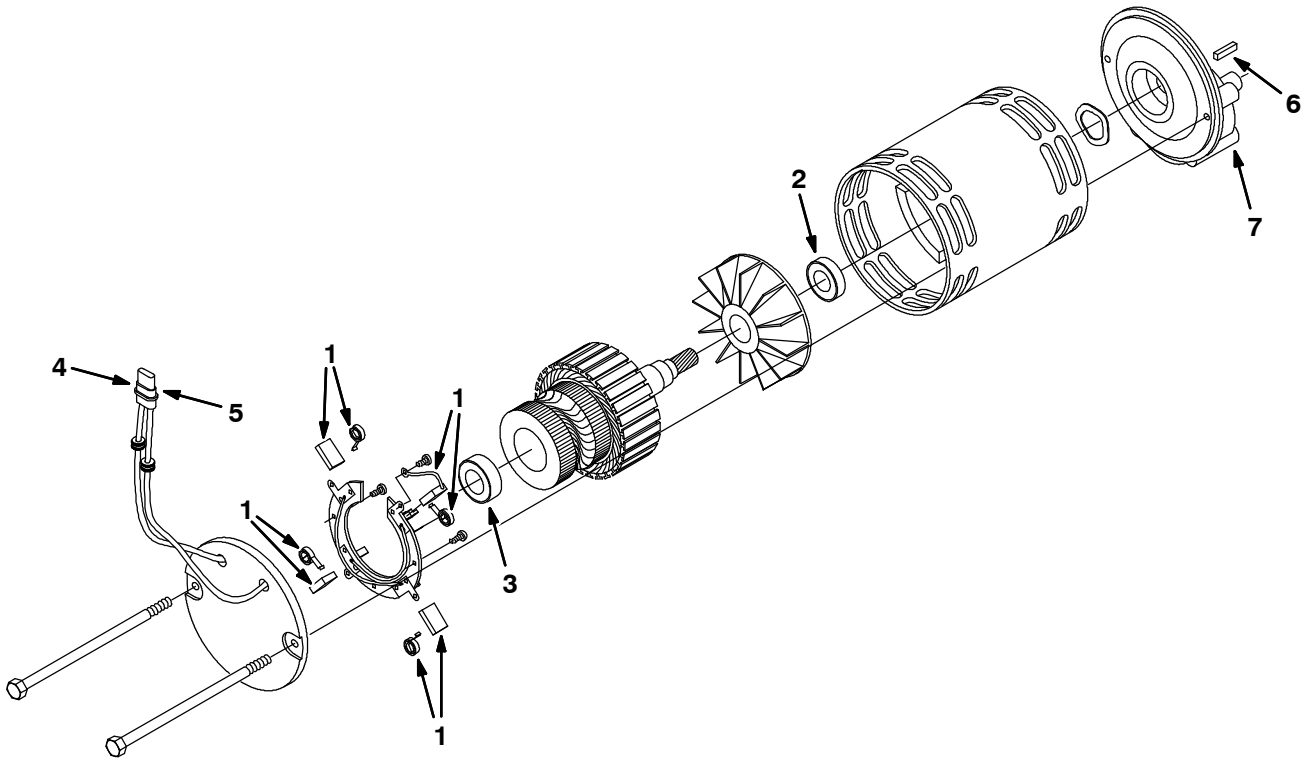
Ref.	Tennant Part No.	Machine Serial Number	Description	Qty.
▽	386679	(000000-) Motor, Gear, Ele, 1.5Hp, 36Vdc, 300Rpm	
▲	1 387371	(000000-) Brush Kit	1
▲▽	2 387373	(000000-) Brush Holder Assy	1
▲▲	3 387374	(000000-) Spring, Brush	4
▲	4 41371	(000000-) Bearing	1
▲	5 41368	(000000-) Bearing	1
▲	6 10925	(000000-) Connector Body	1
▲	7 24537	(000000-) Terminal	2
▲	8 00928	(000000-) Key Square 0.25 X 0.25, 01.00L	1
▲	9 387372	(000000-) Gearbox, Motor	1

Fig. 6 - Electric Motor Breakdown, 387585



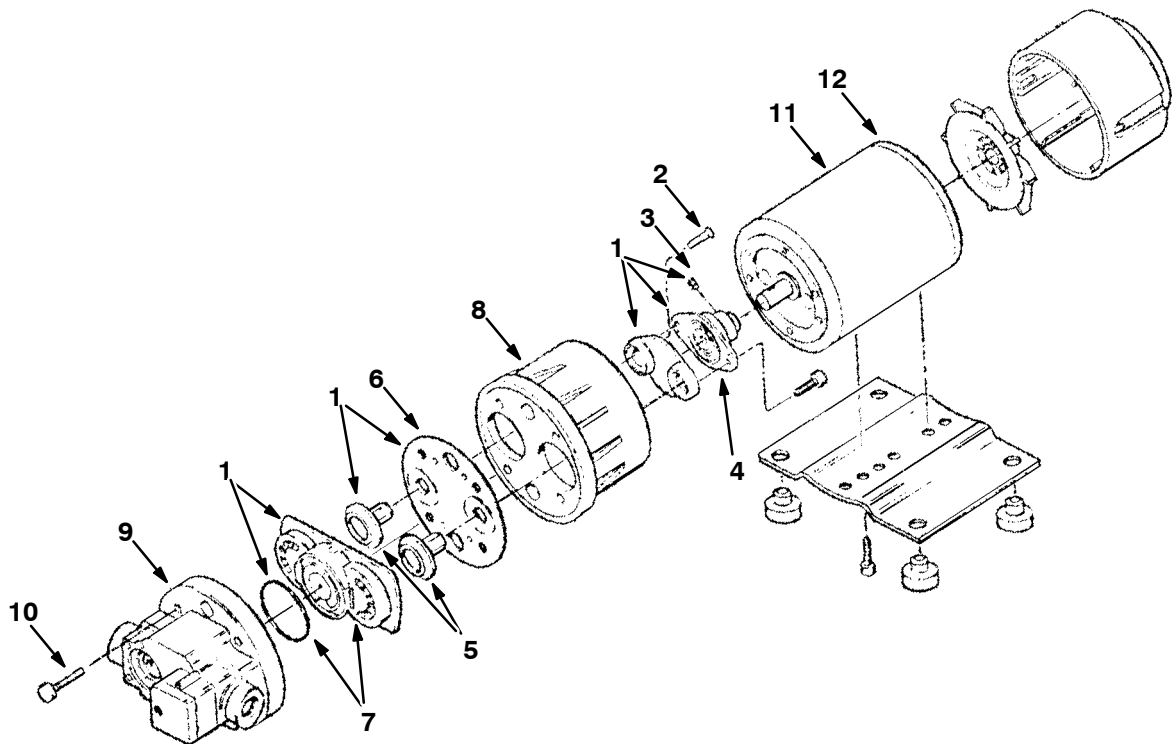
Ref.	Tennant Part No.	Machine Serial Number	Description	Qty.
▽	387585	(000000-) Motor, Gear, Ele, 1.5Hp, 36Vdc, 300Rpm	
▲	1 387589	(000000-) Brush	4
▲	2 387590	(000000-) Brush, Board, Assy	1
▲	3 387592	(000000-) Spring, Brush	4
▲	4 387587	(000000-) Bearing	1
▲	5 387588	(000000-) Bearing	1
▲	6 10925	(000000-) Connector Body	1
▲	7 24537	(000000-) Terminal	2
▲	8 00928	(000000-) Key Square 0.25 X 0.25, 01.00L	1
▲	9 374005	(000000-) Gearbox, Motor	1

Fig. 7 - Electric Motor Breakdown, 386687



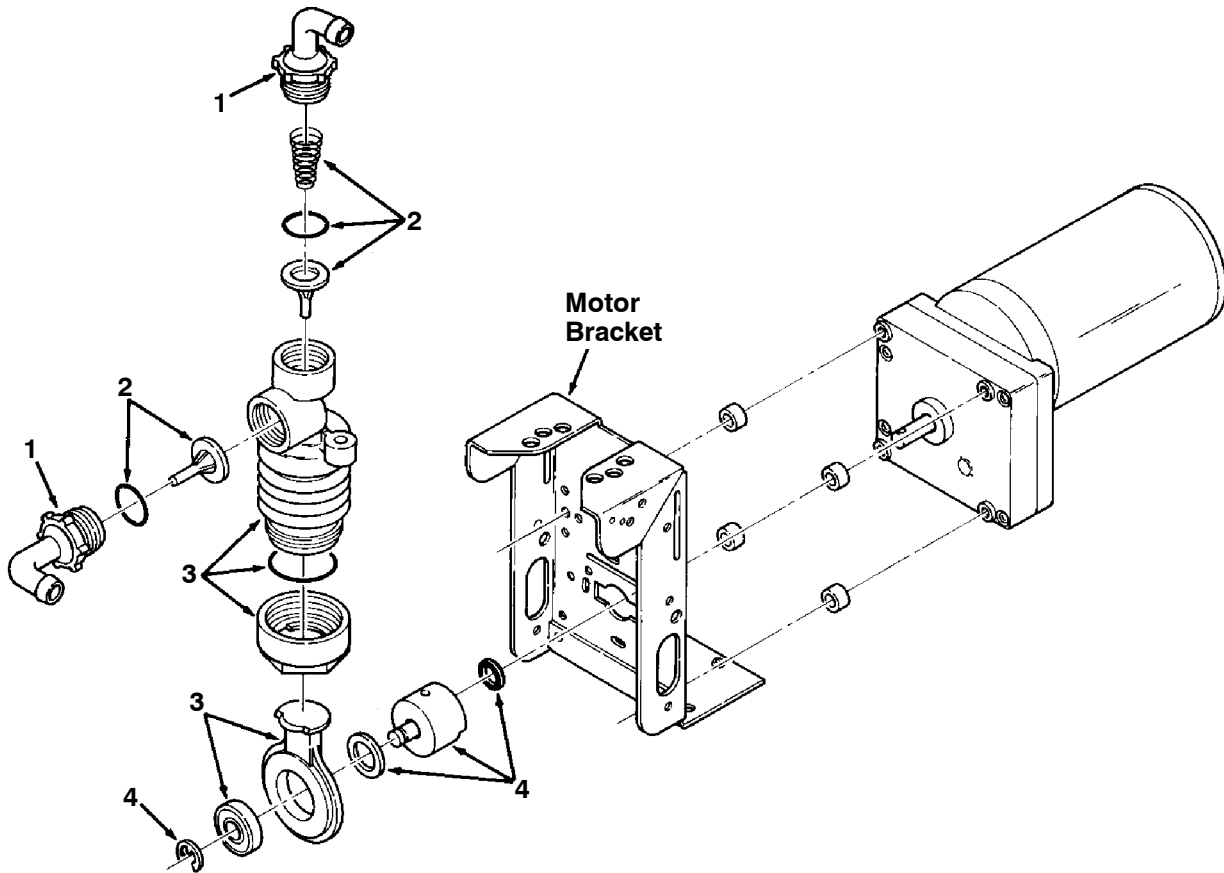
Ref.	Tennant Part No.	Manufacturer Serial Number	Description	Qty.
▽	386687	(000000-) Motor, Gear, 1.0Hp 36V	1
▲	1	222606	(000000-) Brush Kit	1
▲	2	222618	(000000-) Bearing	1
▲	3	222617	(000000-) Bearing	1
▲	4	10925	(000000-) Connector Body	1
▲	5	24537	(000000-) Terminal	2
▲	6	00928	(000000-) Key Square 0.25 0.25 01.00 Lg	1
▲	7	374005	(000000-) Gearbox, Motor	1

Fig. 8 - Water Pump Breakdown, 387321



Ref.	Tennant Part No.	Machine Serial Number	Description	Qty.
▽	387321	(000000-) Pump kit, power wand	1
▲	1 65678	(000000-) Seal kit	1
▲	2 65667	(000000-) Screw	1
▲	3 65668	(000000-) Screw	1
▲	4 370923	(000000-) Cam/bearing\Diaphragm Kit	1
▲	5 65671	(000000-) Piston	1
▲	6 65672	(000000-) Diaphragm kit	1
▲	7 65673	(000000-) Check valve assy	1
▲	8 65670	(000000-) Bearing cover	1
▲	9 65674	(000000-) Switch assy	1
▲	10 65675	(000000-) Pump screw	1
▲	11 65676	(000000-) Motor	1
▲	12 65677	(000000-) Brush/rectifier Assy	1
▲	78950	(000000-) Connector assy	2
▲	78951	(000000-) Terminal female	2
▲	10917	(000000-) Seal connector	2

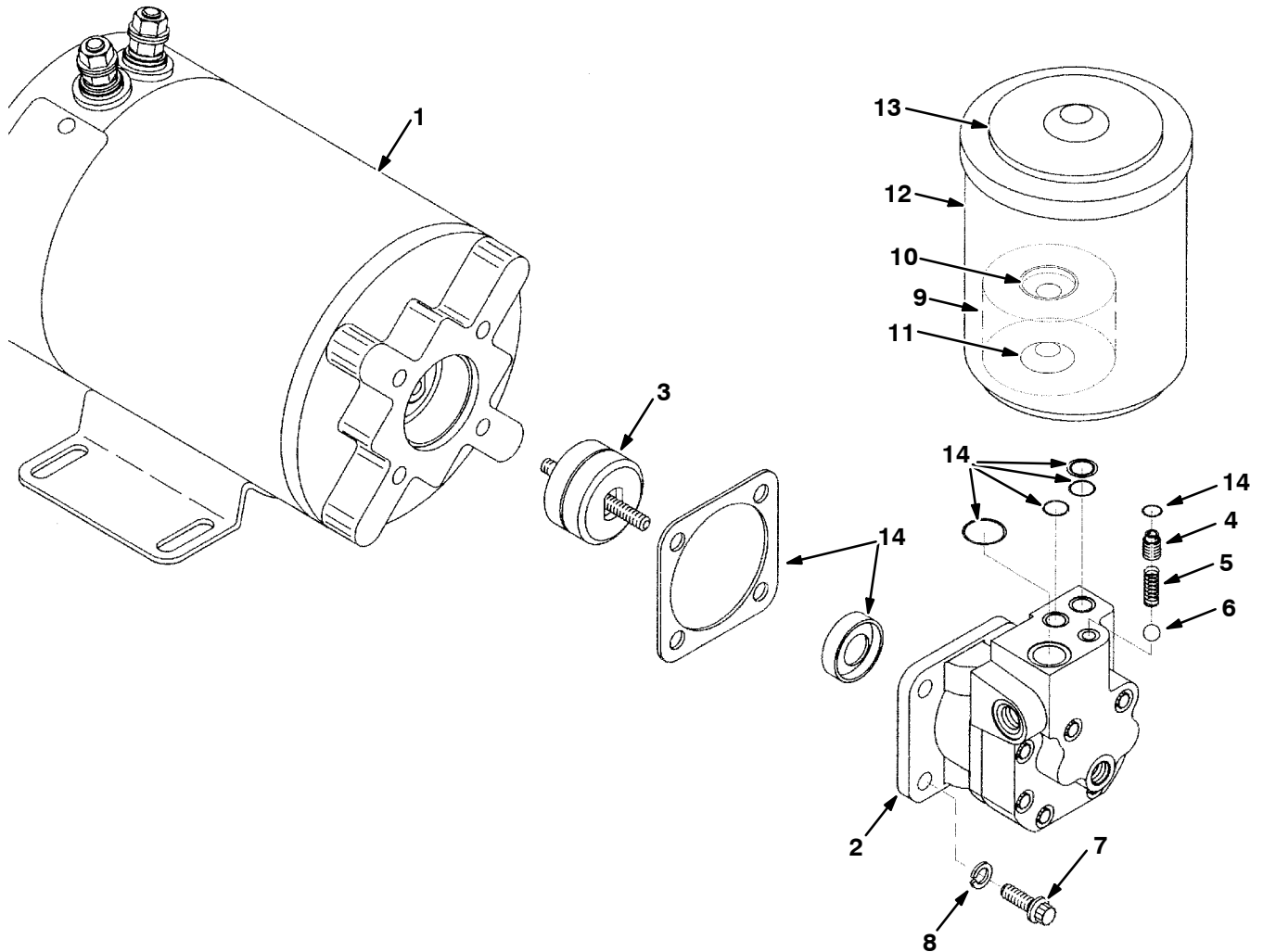
Fig. 9 - Metering Solution Pump Breakdown, 386364



00112 - ALL

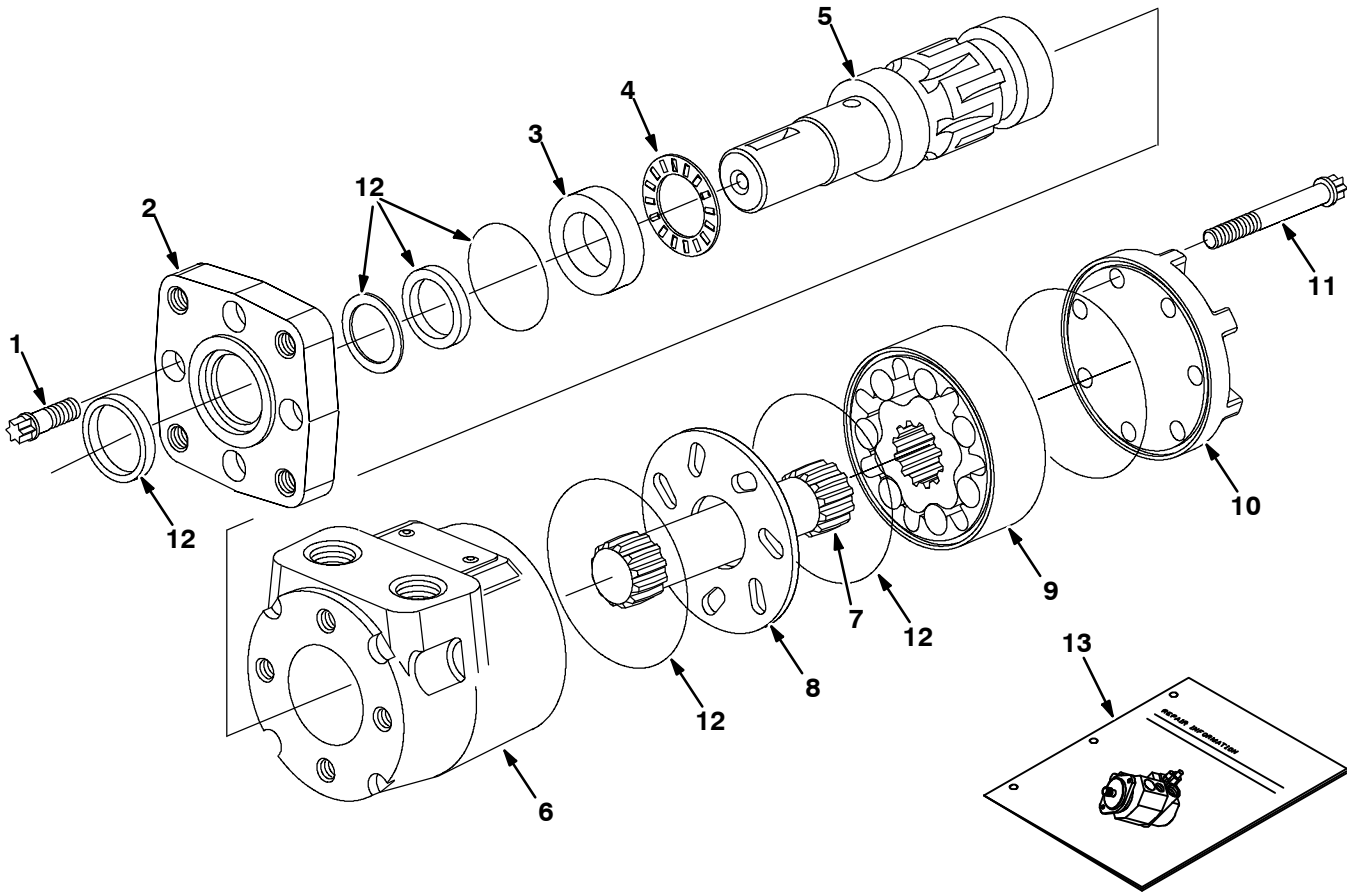
Ref.	Tennant Part No.	Manufacturer Serial Number	Description	Qty.
▽	386364	(000000-) Pump, Metering Solution	1
▲	1 63923	(000000-) Connector Kit, Tubing	1
▲	2 21659	(000000-) Valve Kit, Pump	1
▲	3 21661	(000000-) Replacement Kit, Bellows	1
▲	4 02430	(000000-) Crank Replacement Kit	1

Fig. 10 - Hydraulic Powerunit Breakdown, 368704



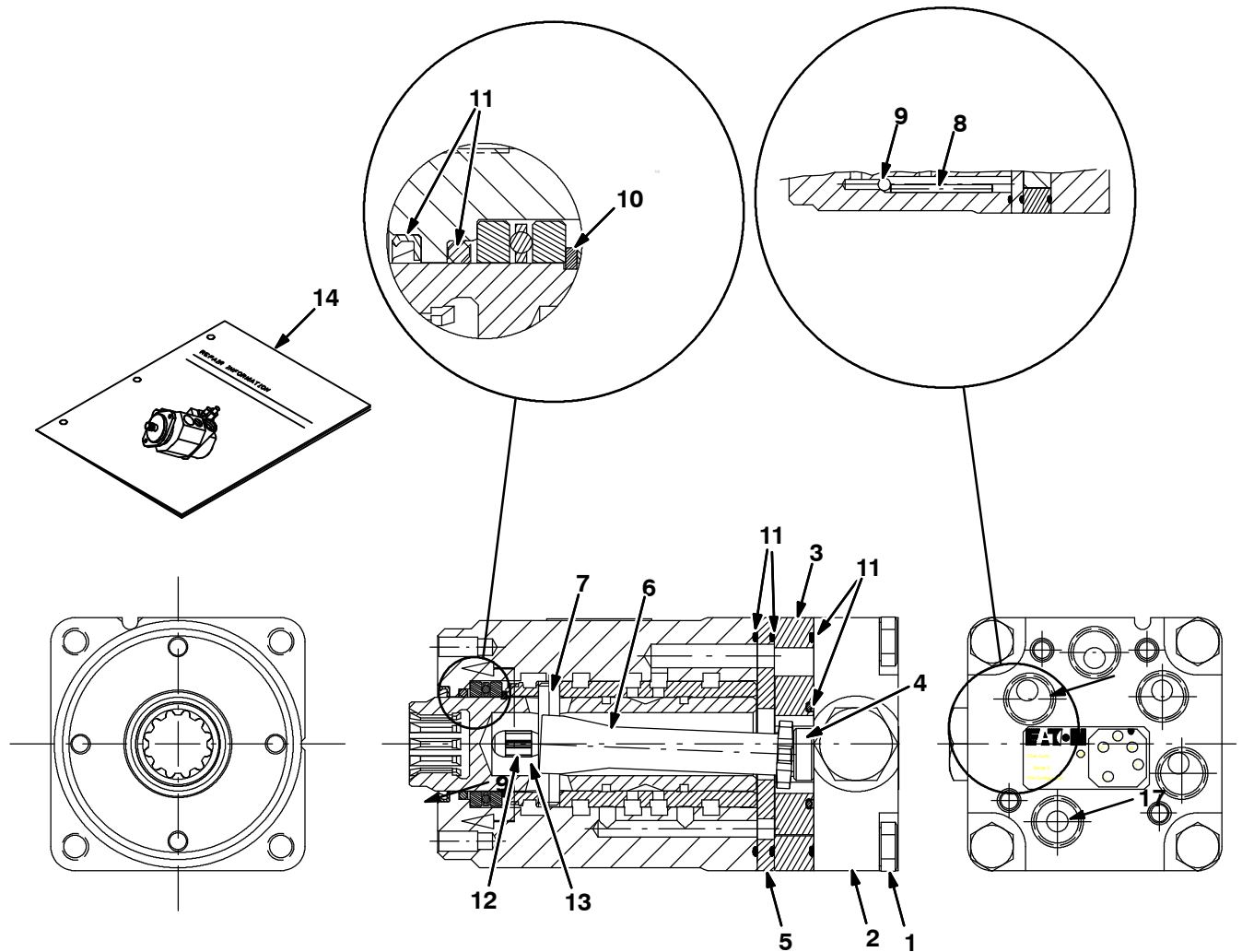
Ref.	Tennant Part No.	Machine Serial Number	Description	Qty.
▽	386704	(000000-) Powerunit, Hyd, 36Vdc	1
▲	1 387597	(000000-) Motor, Elect	1
▲	2 387598	(000000-) Pump assy	1
▲	3 387599	(000000-) Coupling, Flexible	1
▲	4 387600	(000000-) Screw, Adjuster	1
▲	5 387607	(000000-) Spring	1
▲	6 387608	(000000-) Ball, Check	1
▲	7 387609	(000000-) Screw, Mtg	4
▲	8 387610	(000000-) Washer	4
▲	9 387602	(000000-) Element, Fltr	1
▲	10 387603	(000000-) Seal, Cup, Upper	1
▲	11 387604	(000000-) Seal, Cup, Lower	1
▲	12 387605	(000000-) Reservoir	1
▲	13 387606	(000000-) Cover, Reservoir	1
▲	14 387601	(000000-) Kit, Seal	1

Fig. 11 - Hydraulic Motor Breakdown, 386703



Ref.	Tennant Part No.	Machine Serial Number	Description	Qty.	
▽	386703	(000000-) Motor, Hyd	1	
▲	1	37555	(000000-) Screw	4
▲	2	763504	(000000-) Flange	1
▲	3	16695	(000000-) Race Thrust	1
▲	4	45628	(000000-) Bearing, Thrust	1
▲	5	763508	(000000-) Shaft, Output	1
▲	6	22655	(000000-) Housing	1
▲	7	373344	(000000-) Drive, Main	1
▲	8	22658	(000000-) Spacer	1
▲	9	373343	(000000-) Geroler S/A	1
▲	10	373422	(000000-) Cap, End	1
▲	11	21958	(000000-) Cap Screw	7
▲	12	373423	(000000-) Kit, Seal, Motor	1
▲	13	22661	(000000-) Instruction, Repair	1

Fig. 12 - Steering Control Valve Breakdown, 373495



Ref.	Tennant Part No.	Machine Serial Number	Description	Qty.
▽	373495	(000000-) Steer-Control, Hyd	4
▲	1 373567	(000000-) Screw, Cap	1
▲	2 373568	(000000-) Cap, End	1
▲	3 373569	(000000-) Geroter	1
▲	4 373570	(000000-) Spacer	1
▲	5 373571	(000000-) Plate, Wear	1
▲	6 74231	(000000-) Drive, Valve, Strg	1
▲	7 74232	(000000-) Pin, Valve, Strg	1
▲	8 373572	(000000-) Pin	1
▲	9 74114	(000000-) Ball, Check, Strg Valve	1
▲	10 74243	(000000-) Ring, Retainer, Valve, Strg	1
▲	11 74244	(000000-) Kit, Seal, Hyd, Valve, Strg	1
▲	12 74196	(000000-) Kit, Spring, Valve, Strg	1
▲	13 21935	(000000-) Bearing Kit	1
▲	14 74245	(000000-) Instruction, Repair, Valve, Strg	1

Fig. 13 - ec-H2O Module Assembly Breakdown, 9006270

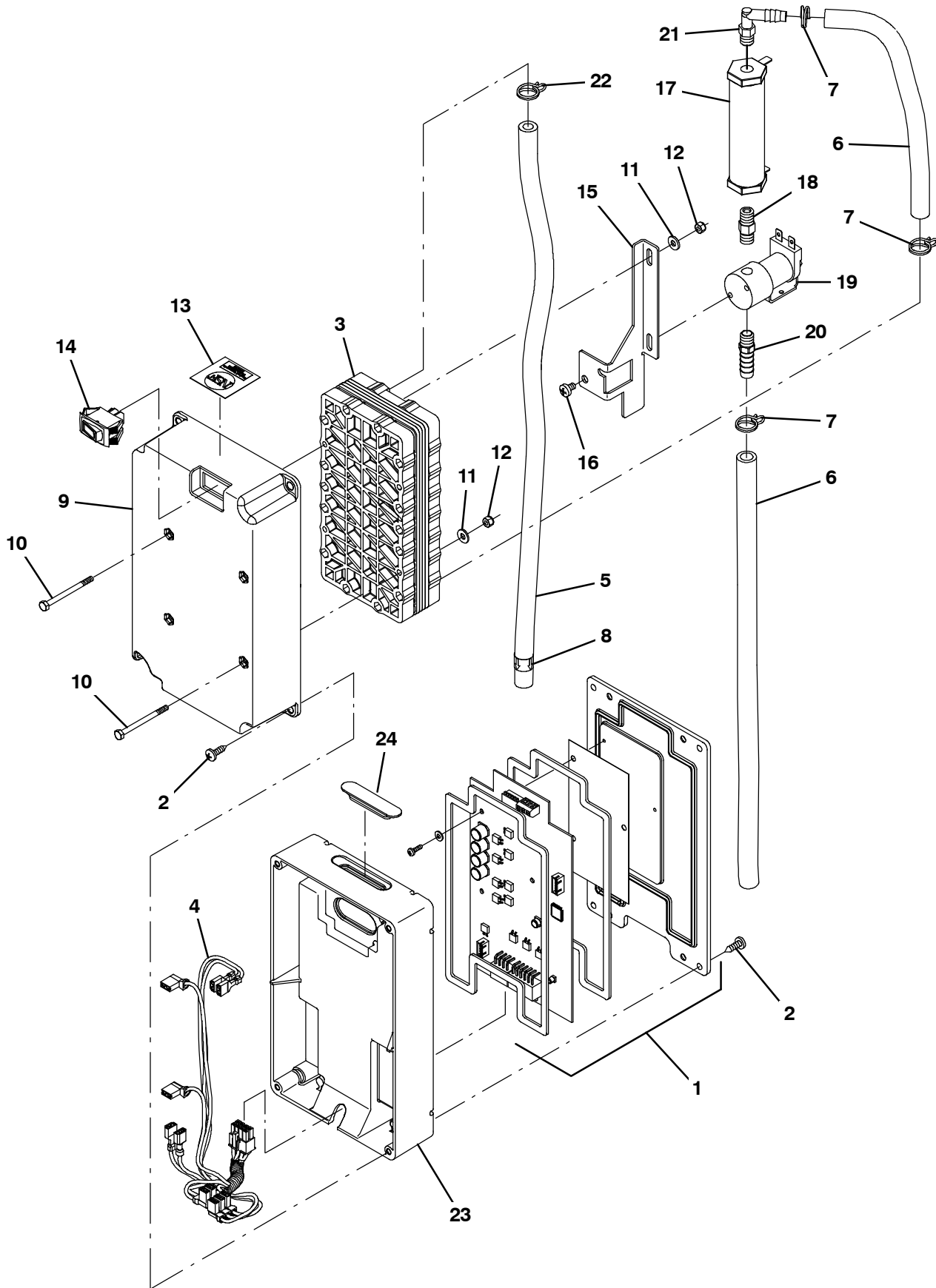
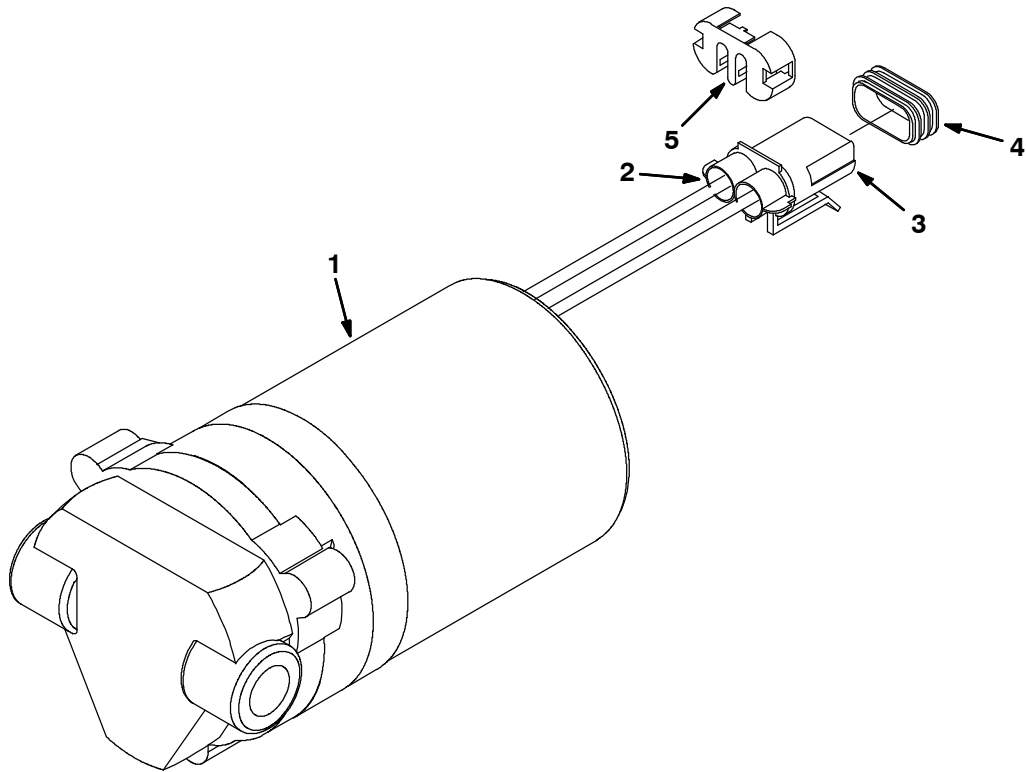


Fig. 13 - ec-H2O Module Assembly Breakdown, 9006270

Ref.	Part No.	Serial Number	Description	Qty.
▽	9006270	(000000-) Module Kit, Replmt [Ec-H2o]	1
▲	1 9006159	(000000-) Controller Kit, Replmt [Ec-H2o]	1
▲	2 1018155	(000000-) Screw, Pan, Phl, M5 X 0.80 X 16, Tcut,Ss	8
▲▽	9006325	(000000-) Ec-H2o Kit, Module C, Plumbing	1
▲▲	3 1050767	(000000-) Electrode, 5 Plate, High Flow	1
▲▲	4 1049489	(000000-) Harness, Main,Controlboard[Ec-H2o 5cell]	1
▲▲	5 1014971	(000000-) Hose, Afmkt, Pvc, Brd, 0.38id, 01ft, Clr	1
▲▲	6 9006268	(000000-) Hose, Pvc, Brd, 0.31id 0.53od, 2ft, Clr	1
▲▲	7 1053464	(000000-) Clamp, Hose, Wir, .56 - .56, Yel	3
▲▲	8 1049637	(000000-) Label, Direction [Ec-H2o]	1
▲▲	9 1021219	(000000-) Assy, Rod-End, .50	1
▲▲	10 32509	(000000-) Screw, Hex, M4 X 0.70 X 50, Ss	4
▲▲	11 41579	(000000-) Washer, Flat, 08, Ss	4
▲▲	12 33932	(000000-) Nut, Hex, Lock, M4 X 0.70, NI, Ss	4
▲▲	13 1046041	(000000-) Label, Module [Nsf, Ec-H2o]	1
▲▲	14 1044393	(000000-) Switch, Rocker, Spst, Mom	1
▲▲	15 1048741	(000000-) Bracket, Valve, Large	1
▲▲	16 578856	(000000-) Screw, Flt, Phl, 10-32 X 0.31	2
▲▲	17 1038159	(000000-) Electrode, Cylindrical	1
▲▲	18 1045030	(000000-) Fitting, Brs, Str, Pm02/Pm02	1
▲▲	19 1048643	(000000-) Valve, Solenoid, 0.25" Orifice, 24vdc	1
▲▲	20 1005375	(000000-) Fitting, Plstc, Str, Bm06/Pm02, Nyl	1
▲▲	21 1051268	(000000-) Fitting, Plstc, E90, Bm05/Pm02, Nyl	1
▲▲	22 607775	(000000-) Clamp, Hose, Wir, .63 - .66, Blk	1
▲	23 1037032	(000000-) Housing, Bottom	1
▲	24 1050431	(000000-) Grommet, Blind	1

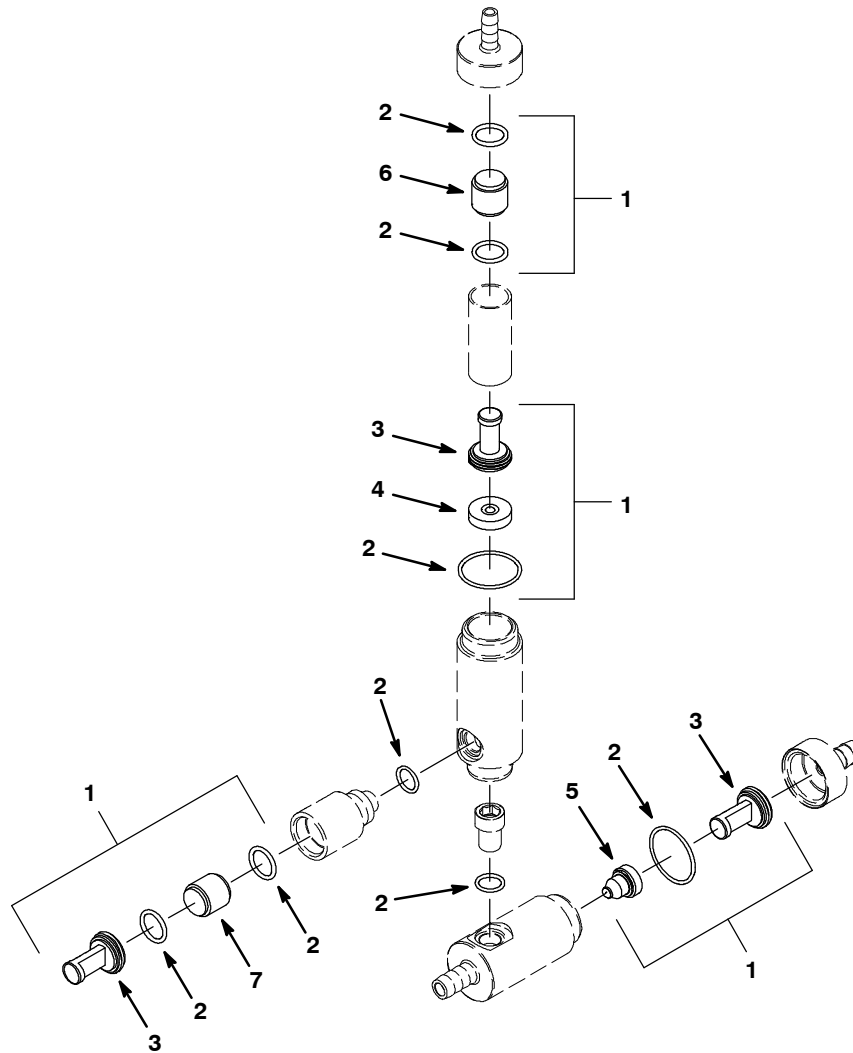
Fig. 14 - ec-H2O Solution Pump Breakdown, 1005866



- ALL

Ref.	Part No.	Serial Number	Description	Qty.
▽	1005866	(000000-) Pump, Soltn, Ele, 36vdc	1
▲	1 391433	(000000-) Head Kit, Pump, Water, Repair	1
▲	2 78950	(000000-) Connector, Fem, 2cav, Mp280 Sealed	1
▲	3 78951	(000000-) Terminal, Fem, Mp280, Sealed, 18-16ga	1
▲	4 10917	(000000-) Seal, Wire, 14/16ga [Wp / Mp280 Sealed]	1
▲	5 78952	(000000-) Lock, Secondary, 2cav, Mp280 Sealed	1

Fig. 15 - FaST Injector Assembly Breakdown, 9006118



354649

Ref.	Part No.	Serial Number	Description	Qty.	
▽	9006118	(000000-) FaST Kit, Injector, Ci [7300/8300]	1	
▲▽	1	9006119	(000000-) FaST Kit, Ci [Inj Rebl, 7300/8300]	1
▲▲	2	9003008	(000000-) Fast Kit, Ci, Injector Seals [Fast li+]	1
▲▲	3	9003009	(000000-) Fast Kit, Ci, Injector Filters[Fast li+]	1
▲▲	4	1050342	(000000-) Plate Assy, Orifice, 0.010ld, Purple	1
▲▲	5	1050336	(000000-) Plug, Orifice, 0.052, Ss [FaST II+]	1
▲▲	6	1030444	(000000-) Valve, Check, 0002psi [Fast li+]	1
▲▲	7	1030441	(000000-) Valve, Check, 0005psi [Fast li+]	1

SECTION 5

CONTENTS

PAGE

PART NUMBER TO PAGE NUMBER CROSS REFERENCE LIST 5-2
PART DESCRIPTION TO PAGE NUMBER CROSS REFERENCE LIST 5-12

CROSS REFERENCE

PART NUMBER TO PAGE NUMBER CROSS REFERENCE LIST

Part Number	Page Number	Part Number	Page Number	Part Number	Page Number
00500-10	2-17	01842	4-3	07792	2-63, 3-107, 3-109, 3-111, 3-113
00500-7	4-6	01856	4-3, 4-5	07805	3-139
00911	3-61, 3-79	01969	4-3	08085	3-69, 3-71, 3-87, 3-89
00912	2-17, 3-61, 3-79	01971	4-3, 4-5	08178	2-13, 2-65, 2-67, 2-69, 3-129, 3-131, 3-133, 3-135
00918	3-61, 3-79, 4-7	01982	4-3	08182	2-21, 2-47, 2-51, 2-57, 3-33, 3-39, 3-45, 3-51, 3-59, 3-67, 3-77
00928	4-8, 4-9, 4-10	01983	4-3	08236	2-9
01316	3-95	02076	2-23	08346	2-51, 3-45, 3-59, 3-77
01516	2-63	02129	3-139	08708	2-11, 2-15, 2-17, 2-21, 2-73, 2-75, 2-82, 3-13, 3-15
01683	2-21, 2-37, 2-39, 2-41, 2-43, 2-47, 2-71, 2-73, 2-75, 3-99, 3-101, 3-139	02430	4-12	08709	2-9, 2-11, 2-17, 2-21, 2-23, 2-25, 2-33, 2-39, 2-71, 2-77, 2-79, 3-27, 3-31, 3-37, 3-63, 3-65, 3-81, 3-83, 3-101
01684	2-5, 2-7, 2-9, 2-13, 2-39, 2-47, 2-57, 2-59, 2-61, 2-65, 2-67, 2-69, 2-77, 2-79, 3-31, 3-37, 3-51, 3-53, 3-57, 3-61, 3-63, 3-65, 3-67, 3-69, 3-71, 3-73, 3-75, 3-79, 3-81, 3-83, 3-85, 3-87, 3-89, 3-91, 3-93, 3-95, 3-107, 3-109, 3-111, 3-113, 3-123, 3-129, 3-131, 3-133, 3-135	02850	2-13, 2-33, 3-97, 3-125	08711	2-17, 2-27, 3-27, 3-31, 3-37, 3-45
01685	2-9, 2-13, 2-19, 2-25, 2-29, 2-41, 2-47, 2-49, 2-53, 2-55, 2-57, 2-59, 2-61, 2-65, 2-67, 2-69, 3-31, 3-35, 3-37, 3-41, 3-43, 3-45, 3-47, 3-49, 3-51, 3-53, 3-57, 3-63, 3-65, 3-67, 3-77, 3-81, 3-83, 3-85, 3-95, 3-97, 3-117, 3-123, 3-125, 3-129, 3-131, 3-133, 3-135, 3-139, 3-143, 3-145, 3-147, 3-149, 3-151	02931	2-63	08712	2-39, 2-51, 2-53, 2-55, 2-57, 2-59, 2-61, 2-65, 3-47, 3-49, 3-51, 3-53, 3-57, 3-63, 3-65, 3-67, 3-73, 3-75, 3-81, 3-83, 3-85, 3-91, 3-93, 3-95, 3-123, 3-139
01686	2-29, 2-41, 2-49, 2-51, 2-57, 2-59, 2-61, 2-63, 2-65, 3-16, 3-17, 3-19, 3-21, 3-35, 3-41, 3-43, 3-45, 3-51, 3-53, 3-57, 3-59, 3-61, 3-67, 3-69, 3-71, 3-77, 3-79, 3-85, 3-87, 3-89	02938	2-75	08713	2-25, 2-29, 2-47, 2-49, 2-59, 2-61, 2-65, 2-67, 2-69, 3-43, 3-45, 3-51, 3-53, 3-55, 3-57, 3-59, 3-77, 3-85, 3-97, 3-117, 3-123, 3-129, 3-131, 3-133, 3-135, 3-139, 3-141, 3-143, 3-145, 3-147, 3-149, 3-151
01692	3-69, 3-87	02942	3-31, 3-37, 3-61, 3-79	08714	2-49, 2-63, 2-65, 3-16, 3-17, 3-43, 3-45, 3-61, 3-77, 3-79
01713	2-9, 2-73, 2-75, 2-77, 2-79, 3-27, 3-35	03495	2-67, 2-69, 3-129, 3-131, 3-133, 3-135	08716	2-51, 2-57, 2-59, 2-61, 2-65, 3-31, 3-37, 3-51, 3-53, 3-57, 3-67, 3-73, 3-75, 3-85, 3-91, 3-93
01714	2-21	04373	3-33, 3-39	09007	2-15, 2-39, 3-95, 3-123
01715	2-73, 2-75, 2-77, 2-79, 3-27, 3-35	04414	2-67, 2-69, 3-129, 3-131, 3-133, 3-135	09010	2-13, 2-33, 2-49, 2-63, 2-65, 3-43, 3-45, 3-59, 3-77, 3-95, 3-123, 3-129, 3-131
01726	3-143, 3-145, 3-147, 3-149, 3-151, 3-152, 3-153, 3-154, 3-155, 3-156, 3-157, 3-158	04417	2-63, 2-65	09011	2-29, 3-97
01760	3-139	04733-10	2-65	09023	2-59, 2-61, 3-53, 3-57, 3-117, 3-139
01837	4-3, 4-5	04733-2	3-31, 3-37	09026	2-25
		04843	2-39, 2-47, 2-57, 3-51, 3-67, 3-85	09028	2-49, 3-16, 3-17, 3-19, 3-21, 3-35, 3-41, 3-43, 3-45, 3-77
		05686	2-63		
		06279	2-47, 2-51, 2-65, 3-45, 3-51, 3-59, 3-77		
		06474A	2-21		
		06549	2-15, 2-37, 2-73, 2-75, 3-61, 3-79		
		06925	2-75		
		06931	2-21, 2-75		
		06942	2-31, 2-33, 2-37, 2-73, 2-75, 2-81, 3-27, 3-35		
		06943	2-9, 2-11, 2-25, 2-45, 3-13, 3-15		
		06944	2-21		
		06945	2-82		
		06946	2-17		
		06949	3-13, 3-15		
		06955	2-25		
		06960	3-27		
		06961	3-19, 3-21, 3-23		
		06963	2-21		
		06969	2-27, 3-45		
		06974	3-31, 3-37		
		07112	2-17, 3-27		
		07450	2-63, 2-65, 3-33, 3-39		
		07471	3-65, 3-83		
		07514	2-75, 2-77, 2-79, 3-27		
		07786	2-59, 2-61, 3-53, 3-57, 3-69, 3-71, 3-87, 3-89		
		07789	2-82, 3-101		
		07790	2-73, 2-75, 3-13, 3-15		
		07791	2-9, 3-5, 3-7, 3-9, 3-11, 3-31, 3-35, 3-37, 3-41		

CROSS REFERENCE

Part Number	Page Number	Part Number	Page Number	Part Number	Page Number
09030	2-23	1010325	2-103	1023676	2-27
09088	2-27	1010614	2-31	1023677	2-27
09198	2-5, 2-7, 3-61, 3-79, 3-139	1010655	2-31	1024009	2-33
09206	2-33, 3-97	1010658	2-31	1028580	2-82
09228	3-125	1010660	2-31	1028581	2-31, 2-37
09244	2-71, 2-82	1010661	2-31	1030441	4-19
09252	2-31	1010668	2-37, 3-65, 3-83	1030444	4-19
09291	3-61, 3-79	1010713	2-31	1031699	2-29, 2-43, 3-99, 3-117
09294	2-23	1010791	2-31, 2-33	1031700	3-107, 3-109, 3-111, 3-113
09480	3-31, 3-37	1010797	2-33	1034891	2-21
09718	3-45, 3-59, 3-77	1010832	3-83	1035794	2-37
09738	3-61, 3-79	1010835	2-31	1036490	2-17
09739	2-43, 2-47, 3-59, 3-77, 3-99, 3-139	1010836	2-31	1037032	4-17
09740	2-9, 2-13, 2-41, 3-45, 3-77, 3-139, 3-141, 3-143, 3-145, 3-147, 3-149, 3-151	1010871	2-33	1037346	3-101
09741	2-67, 2-69, 3-69, 3-71, 3-87, 3-89, 3-129, 3-131, 3-133, 3-135	1011170	2-33	1037822	2-2, 2-3, 2-41
09744	3-69, 3-71, 3-75, 3-87, 3-89, 3-93, 3-107, 3-109, 3-111, 3-113	1011276	2-82, 2-83	1038159	4-17
09767	2-67, 2-69, 3-129, 3-131, 3-133, 3-135	1011403	2-31, 2-33, 2-35, 2-37, 2-55, 3-65, 3-83	1039190	2-67, 2-69, 3-129, 3-131, 3-133, 3-135
09774	3-69, 3-71, 3-87, 3-89	1011411	3-101	1039617	2-45
1001062	3-61, 3-79	1011412	3-101	1040295	2-17
1001099	2-51, 3-45, 3-59, 3-77	1011521	2-31, 2-37, 2-53, 3-49, 3-65, 3-83	1040467	3-101
1002464	3-55, 3-75, 3-93	1011835	2-35	1040868	3-103
1002789	2-35	10120	2-27	1041822	3-103
1002898	2-33, 2-37	1012528	2-53, 2-55, 3-47, 3-49	1041884	3-162
1002899	2-33, 2-37	1013857	2-31	1042499	2-7
1005026	2-3	1013866	2-33	1042504	2-7
1005086	2-35	1014056	2-33	1042513	2-21
1005133	3-55, 3-75, 3-93	1014082	2-33	1042514	2-21
1005135	3-55, 3-75, 3-93	1014971	4-17	1043866	3-101
1005255	2-33	1014976	3-101	1044393	4-17
1005302	2-35, 2-37, 3-101	1014986	2-33, 2-37	1045030	4-17
1005304	2-35	1014987	2-33	1045633	2-37
1005375	3-101, 4-17	1015045	2-55, 3-49, 3-65, 3-83	1046041	4-17
1005416	2-82	1015048	3-49, 3-65, 3-83	1046173	3-101
1005435	2-33, 2-37	1015096	2-103	10464	3-61, 3-79
1005508	2-31	1015097	3-65	1048643	4-17
1005552	2-35	1015558	2-53, 2-55, 3-47	1048741	4-17
1005866	2-31, 3-101, 4-18	1017015	2-33	1048932	2-19
1006400	2-37	1017022	2-33	1048955	2-19
1006401	3-49	1017255	3-101	1049092	2-19
1006447	2-31	1017288	2-103, 2-104	1049254	2-37
1007107	3-139	1017289	2-103	1049259	2-37
1007337	2-75	1017368	2-7	1049269	3-107, 3-109, 3-111, 3-113
1007344	2-75	1017386	3-101	1049489	4-17
1007349	2-75	1017413	2-35, 2-37, 2-55, 3-49, 3-65, 3-83, 3-101	1049637	4-17
1007353	2-75	1017415	2-35, 2-37, 3-101	1050003	3-103
1007486	3-45, 3-77	1017441	3-31, 3-37	1050193	3-45, 3-59, 3-77
1007632	2-59, 3-53	1017802	3-31, 3-37	1050195	2-51
1008211	2-33	1018155	4-17	1050336	4-19
1008274	3-31	1018515	3-151	1050342	4-19
1008275	3-37	1019285	2-41, 3-97	1050431	4-17
		1019344	3-136, 3-137	1050664	3-104
		1021219	4-17	1050767	4-17
		1021878	2-33, 2-37	1050771	2-37
		1022465	3-137	1050805	2-37
		1022558	3-137	1051027	2-7
		1022564	3-136	1051030	2-5
		1022565	3-136	1051268	4-17

CROSS REFERENCE

Part Number	Page Number	Part Number	Page Number	Part Number	Page Number
1052017	3-101	1056494	3-59, 3-77	1056887	3-33, 3-39
1052588	2-104	1056495	3-71, 3-89	1056888	3-33, 3-39
1052683	3-101	1056496	2-9	1056889	3-33, 3-39
1052726	3-101	1056505	3-45, 3-77	1056890	3-33, 3-39
1052755	3-103	1056516	3-45	1056891	3-31
1052832	3-101	1056517	3-45, 3-77	1056892	3-37
1053078	3-101	1056673	3-21	1056894	3-37
1053464	4-17	1056674	3-21	1056895	3-145, 3-151
1053842	2-15	1056675	2-23	1056896	3-145, 3-151
1054296	3-33, 3-39	1056681	3-45, 3-77	1056902	3-43
1054657	3-104	1056688	3-35	1056903	3-77
1054776	3-101	1056786	2-9	1056909	3-31, 3-37
1055254	3-101	1056787	3-149	1056910	3-33
1055255	3-101	1056788	3-149	1056911	3-31
1055336	3-101	1056793	3-125	1056914	2-17
1055883	3-103	1056796	3-113	1056915	3-139
1056331	3-103	1056799	3-109	1056916	3-139
1056382	2-29	1056800	3-87	1056917	2-17
1056383	2-9	1056805	3-131	1056919	2-47
1056386	2-13	1056806	3-131	1056923	3-97
1056387	2-9	1056807	3-131	1056924	3-97
1056388	2-13	1056809	2-9	1056927	3-143
1056389	2-65	1056838	3-61, 3-79	1056928	2-39
1056390	2-51, 3-45, 3-59, 3-77	1056839	3-95	1056929	2-39
1056396	3-41	1056841	3-43	1056937	2-25
1056397	3-35	1056842	2-47	1056940	3-139
1056398	3-41	1056843	3-67, 3-85	1056941	2-45
1056399	3-35	1056844	2-57, 3-51	1056944	2-105, 3-103
1056416	3-101	1056845	2-57, 3-51, 3-67, 3-85	1056945	2-105
1056432	2-11	1056846	3-61, 3-79	1056947	2-105
1056433	2-13	1056847	3-61, 3-79	1057066	2-51, 3-45, 3-59
1056434	2-13	1056848	3-59	1057068	2-39
1056464	3-7, 3-11	1056849	2-29, 2-41	1057069	3-7
1056465	2-9	1056850	2-39	1057073	3-45, 3-77
1056466	2-69, 3-131, 3-135	1056851	2-17	1057089	3-61, 3-79
1056467	2-63	1056852	2-17	10575	3-95
1056468	2-63	1056853	3-27	1057512	3-61
1056471	2-69, 3-135	1056854	3-27	1057520	3-75, 3-93
1056472	2-13	1056855	2-19	1057521	3-75, 3-93
1056473	3-17	1056856	2-67, 2-69, 3-133,	1057526	3-73, 3-75
1056474	3-17		3-135	1057527	3-91, 3-93
1056475	2-13	1056857	2-41	1057530	3-83
1056476	3-21	1056859	2-27	1057531	3-65
1056477	2-81	1056860	2-25	1057644	3-139
1056478	2-81	1056861	2-27	1059037	2-105
1056479	2-13	1056862	2-49	10632-12	3-5, 3-7, 3-9, 3-11,
1056480	3-15	1056863	2-59, 2-61, 3-53, 3-57		3-13, 3-15
1056481	2-39	1056864	3-95, 3-123	10632-13	2-15, 2-25
1056482	2-65	1056865	3-123	10632-14	2-71
1056483	2-11	1056866	3-95	10632-17	2-71
1056484	2-11	1056867	3-117	10632-19	2-33
1056485	3-27, 3-35	1056868	2-41	10632	2-21
1056486	2-71	1056872	3-117	10912	2-45
1056487	2-11	1056873	3-63, 3-65, 3-81, 3-83	10917	4-11, 4-18
1056488	2-75	1056874	3-69	10925	4-3, 4-5, 4-7, 4-8, 4-9,
1056489	2-75	1056875	3-69, 3-71, 3-87, 3-89		4-10
1056490	3-69, 3-87	1056877	3-129, 3-131	10926	4-3, 4-5
1056491	3-69, 3-87	1056878	3-145, 3-147, 3-149,	11329	3-27
1056492	3-71, 3-89		3-151	11398	3-31, 3-37
1056493	3-71, 3-89	1056883	3-141		

CROSS REFERENCE

Part Number	Page Number	Part Number	Page Number	Part Number	Page Number
11399	2-3, 2-29, 2-53, 3-55, 3-63, 3-65, 3-75, 3-81, 3-83, 3-93	16735	2-9, 2-17, 2-23, 2-37, 2-39, 3-101	222290	2-15, 2-75, 2-103, 2-104, 3-103
11756	4-3	16816	2-63	222460	2-25
12273	2-29, 2-41, 2-53, 2-55, 3-47, 3-49, 3-125	16879	2-15	222497	2-67, 2-69, 3-129, 3-131, 3-133, 3-135
12274	2-75	16914	2-53, 2-55, 3-47, 3-63, 3-81	222505	2-57, 3-51, 3-67, 3-85
12309	2-67, 2-69, 3-129, 3-131, 3-133, 3-135	16931	2-9, 2-11, 2-17, 2-23, 2-33, 2-71, 2-77, 2-79, 3-27, 3-33, 3-39	222534	2-15
12312	2-37, 2-73, 2-75, 2-83, 3-101	16949	3-69, 3-71, 3-87, 3-89	222556	2-57, 3-51, 3-67, 3-85
12316	2-43, 2-47, 3-99	17188	3-101	222606	4-10
12317	2-63, 2-65, 3-61, 3-79	17260	2-5	222617	4-10
12323	3-117	17261	2-5	222618	4-10
12333	2-59, 2-61, 3-53, 3-57	17262	2-5	222788	3-75, 3-93
12459	2-9, 2-47	17263	2-5	222822	2-41, 3-97
12540	2-23	17363	2-45, 4-3	22297	2-45
13248	2-19, 2-45, 2-47, 3-59, 3-77	17404	2-59, 2-61, 3-53, 3-57, 3-69, 3-71, 3-87, 3-89	223044	2-2, 2-9
13292	2-41, 2-45, 3-97	18627	4-3	223054	2-65
13513	2-21	18628	4-3, 4-5	223061	2-17
14150	2-23	18630	4-3	223073	2-17
14242	2-27	19064	2-33, 3-125, 3-127	223078	2-19
14271	2-17	19066	2-15, 2-31, 2-73, 2-75, 2-77, 2-79, 2-83, 3-5, 3-7, 3-13, 3-15, 3-27, 3-35	223090	2-21
14296	2-23	19312	2-73, 2-75	223094	2-21
14432	3-75, 3-93	19314	2-73	223239	2-21
14455	2-47	19320	2-71	223264	2-2, 2-3, 2-45, 4-3, 4-5
14523	2-51	19903	3-107, 3-109, 3-111, 3-113	223320	2-21
14524	2-51, 3-45, 3-59, 3-77	20806	2-65	223470	3-35, 3-41
14555	2-63	20807	3-47	223499	2-29
14601	2-21	20810	2-29	223515	3-47
14725	2-57, 3-51, 3-67, 3-85	20833	2-2, 2-3, 2-63	223528	2-29
14838	2-5, 2-7	20932	3-107, 3-109, 3-111, 3-113	223595	3-25
14864	2-43, 3-99	20944	3-117	223600	2-21
14877	3-95, 3-97	20950	3-117	223601	2-21
14880	2-43, 3-99	20951	3-117	223699	2-53
14953	2-5	20952	3-117	22655	4-14
14967	2-5	21601	2-67, 2-69, 3-129, 3-131, 3-133, 3-135	22658	4-14
150016	3-101	21602	2-67, 2-69, 3-129, 3-131, 3-133, 3-135	22661	4-14
150208	3-121	21603	2-67, 2-69, 3-129, 3-131, 3-133, 3-135	23456	2-29, 3-107, 3-109, 3-111, 3-113
15023	2-49, 3-43, 3-59, 3-77	21606	2-67, 2-69, 3-129, 3-131, 3-133, 3-135	24105	3-95
150511	3-101	21659	4-12	24198	3-59, 3-77
150525	2-33	21661	4-12	24199	3-139
150540	2-37	21765	4-3	24254	2-51, 3-45
150709	2-37	21800	4-7	24299	2-5, 2-7
150713	2-37	21935	4-15	24358	2-43, 3-99, 3-117
15539	2-5, 2-7	21958	4-14	24537	4-7, 4-8, 4-9, 4-10
15648	2-47, 3-33, 3-39	222117	3-125	24543	3-97
15675	2-19, 2-41, 2-45, 3-63, 3-65, 3-81, 3-83, 3-95	222159	2-21	24544	2-29, 3-95
15678	2-53, 2-55, 3-47, 3-49, 3-61, 3-63, 3-65, 3-79, 3-81, 3-83, 3-95	222196	3-33, 3-39	24555	2-67, 2-69, 3-129, 3-131, 3-133, 3-135
15840	2-81	222277	2-57, 3-51, 3-67, 3-85	24698	3-101
15846	2-77			24929	2-31
16356	2-53			25014	3-33, 3-39
16367	2-17			25312	3-161
16370	2-17			25537	2-19
16695	4-14			25538	3-35
				25620	2-33
				25735	2-59, 2-61, 3-53, 3-57, 3-69, 3-71, 3-87, 3-89
				26156	2-39
				26315	2-27
				26395-1	2-47

CROSS REFERENCE

Part Number	Page Number	Part Number	Page Number	Part Number	Page Number
26395-2	3-5, 3-7, 3-13, 3-15	330613	3-162	365252	2-9
26426	3-101	330615	3-162	369415	3-139
26428	3-61, 3-79	33295	3-95	369702	2-9
27880	2-39	33807	3-95	369766	2-41, 3-97
27928	2-15	33925	3-69, 3-71, 3-87, 3-89	369795	3-31, 3-37
27980	2-59, 3-53	33930	2-57, 2-77, 2-79, 3-51,	369796	3-31, 3-37
28622	3-13		3-67, 3-85	369865	3-95
29557	2-51, 3-45, 3-59, 3-77	33932	3-61, 3-79, 3-117,	370080	2-5
29558	2-59		3-139, 4-17	370090	2-5
29568	3-53	33948	2-65	370092	2-7
29584	2-57, 3-51, 3-67, 3-85	34195	2-49, 3-43	370094	2-5
30013	2-17	35996	2-17	370095	2-7
30241	2-7	360352	3-101	370100	2-67, 2-69, 3-129,
30533	3-23	360357	3-31, 3-37		3-131, 3-133, 3-135
31647	2-77, 2-79	360369	2-19	370156	2-75
32124	2-49, 3-43	360370	2-19	370923	4-11
32483	2-11, 2-15, 2-45, 2-73,	360518	2-9	371905	3-107, 3-109, 3-111,
	2-75, 2-77, 2-81, 3-13,	360520	2-15, 3-5, 3-7, 3-9,		3-113
	3-15, 3-27, 3-35, 3-55,		3-11	373343	4-14
	3-75, 3-93	360801	2-13, 2-37, 2-41, 3-31,	373344	4-14
32485	2-21, 3-33, 3-39		3-37	373422	4-14
32486	2-21, 2-27, 3-13, 3-15,	360943	3-5, 3-7, 3-13, 3-15,	373423	4-14
	3-27, 3-31, 3-33, 3-37,		3-97, 3-127	373424	3-27
	3-39, 3-45	360973	3-161	373495	3-27, 4-15
32490	2-21, 2-25, 2-31, 2-33,	360980	2-23	373496	3-27
	2-53, 2-55, 2-73, 2-75,	361076	2-15	373567	4-15
	2-77, 2-79, 3-47, 3-49,	361144	2-15	373568	4-15
	3-101	361339	2-9, 3-55, 3-75, 3-93	373569	4-15
32491	2-9, 2-11, 2-17, 2-23,	361973	4-6	373570	4-15
	2-33, 2-37, 2-39, 2-71,	363087	3-33, 3-39	373571	4-15
	2-75, 3-25, 3-27, 3-31,	363113	3-45, 3-59, 3-77	373572	4-15
	3-33, 3-37, 3-39, 3-45,	363120	2-57, 3-51, 3-67, 3-85	374005	4-9, 4-10
	3-77	363151	2-65	374204	2-81
32492	2-65, 3-19, 3-21, 3-31,	363152	2-57, 3-67	374250	3-45, 3-77
	3-33, 3-37, 3-65, 3-83,	363162	3-129, 3-131	375301	3-61, 3-79
	3-107, 3-109, 3-111,	363236	2-57	375302	2-41, 3-97
	3-113	363237	2-57, 3-67, 3-85	375308	3-97
32493	2-17, 2-47, 3-23, 3-51,	363238	3-51	375322	3-95
	3-59, 3-77	363301	3-129, 3-131	375411	2-19
32501	2-43, 3-99	363385	2-23	375426	3-97
32508	2-43, 3-99	363453	2-39	375427	3-97
32509	4-17	363468	3-61, 3-79	375429	2-41
32613	2-43, 3-99	363491	4-6	375431	2-29, 3-115
32614	2-43, 3-99	364085	2-9	37555	4-14
32669	2-43, 3-99	364404	2-57, 3-51, 3-67, 3-85	377084	2-82, 2-83, 3-103
32716	2-63, 3-129, 3-131	364614	2-51, 2-63, 3-129,	377341	3-139
32746	2-5, 2-7		3-131	377349	2-43
32815	2-77, 2-79	364631	2-53, 2-55, 3-47, 3-49	377364	2-49, 3-43
32969	2-27	364669	3-117	377398	3-61, 3-79
32980	2-9, 2-21, 2-73, 2-75,	364858	2-57, 3-51, 3-67, 3-85	378951	2-5
	3-13, 3-15, 3-35	364895	3-63, 3-81	378983	4-3
32981	2-21	364896	3-63, 3-81	37909	4-3
32982	2-73, 2-75, 2-77	364899	3-63, 3-81	37912	4-3, 4-5
32983	2-19, 3-25	365032	3-9, 3-11	379217	2-25
32984	2-33, 2-73, 2-75, 2-77,	365033	3-9, 3-11	37926	4-3
	2-79, 3-27, 3-35	365093	2-29	37929	4-3, 4-5
32988	2-77, 2-79	365096	2-29	381867	3-28
330610	3-162	365156	2-49, 3-43, 3-59, 3-77	382452	3-117
330611	3-162	365164	2-53, 2-55	382991	3-97
330612	3-162	365180	2-51, 3-45, 3-59, 3-77	383720	2-83

CROSS REFERENCE

Part Number	Page Number	Part Number	Page Number	Part Number	Page Number
383721	2-71, 2-82	386224	2-29	386378	2-27
383722	2-71, 3-5, 3-7, 3-9, 3-11, 3-35	386229	2-25	386387	2-2, 2-49
383723	2-71	386230	2-5	386388	2-2, 2-49
383724	2-71	386231	2-7	386391	2-59, 2-61, 3-53, 3-57
383725	2-71	386234	2-67, 3-129, 3-133	386413	2-13
383727	2-71	386240	2-5	386415	3-16
383728	2-71	386241	2-7	386416	3-16
385666	3-95	386250	2-5	386417	3-16
385682	3-47	386251	2-7	386419	2-29
385685	2-41, 3-97	386252	2-63	386420	2-29
385726	2-21	386256	2-63	386421	2-29
385750	2-41	386257	3-61, 3-79	386423	2-43, 3-99
386020	2-2	386260	2-2, 2-3, 2-59, 2-61, 3-53, 3-57, 3-69, 3-71, 3-87, 3-89	386424	2-41
386021	2-2	386262	2-61, 3-57, 3-71, 3-89	386425	2-41
386022	2-3	386263	2-59, 3-53, 3-69, 3-87	386432	3-117
386023	2-3	386264	2-67, 2-69, 3-129, 3-131, 3-133, 3-135	386433	2-13
386049	2-47	386266	2-67, 3-133	386437	2-13
386050	3-61, 3-79, 4-7	386267	2-2, 2-3, 2-41	386444	2-41
386053	2-2, 2-3, 3-61, 3-79	386268	3-69, 3-87	386445	2-41
386058	3-61, 3-79	386269	3-69, 3-87	386447	2-17
386063	3-61, 3-79	386274	3-61, 3-79	386450	2-9
386066	3-61, 3-79	386275	3-71, 3-89	386458	2-23
386070	3-59, 3-77	386276	3-71, 3-89	386459	2-23
386071	3-59, 3-77	386279	2-65	386461	2-13
386072	3-61, 3-79	386282	3-75	386480	2-9
386080	3-59, 3-77	386283	2-2, 2-3, 2-67, 2-69, 3-133, 3-135	386482	3-117
386081	3-59, 3-77	386284	2-2, 2-3, 2-67, 2-69, 3-133, 3-135	386496	3-71, 3-89
386088	2-59, 2-61, 3-53, 3-57, 3-69, 3-71, 3-87, 3-89	386285	2-3, 2-67, 2-69, 3-133, 3-135	386500	3-75, 3-93
386108	2-41	386286	2-3, 2-67, 2-69, 3-133, 3-135	386504	3-75, 3-93
386116	2-39	386298	2-67, 2-69, 3-129, 3-131, 3-133, 3-135	386513	3-93
386120	2-11	386299	2-67, 2-69, 3-133, 3-135	386514	2-3, 3-55, 3-75, 3-93
386124	2-11	386302	2-73, 2-75	386518	3-55, 3-75, 3-93
386127	2-71	386307	3-35	386558	2-23
386128	2-71	386308	3-35	386563	2-71, 2-81
386129	2-15	386311	2-15	386564	2-71, 2-81
386130	2-105	386320	2-29	386573	3-147
386140	2-17	386321	2-45	386574	3-147
386143	2-17	386323	2-2, 2-3, 2-45	386600	2-102
386149	2-17	386324	2-29	386605	3-9, 3-11
386150	2-17	386325	2-41	386606	3-13, 3-15
386152	2-17	386326	2-3	386607	3-139
386154	2-17	386334	3-147, 3-149	386608	3-125
386157	2-9	386335	3-145	386609	3-5, 3-7
386159	2-9	386338	3-157	386610	2-77, 2-79
386160	2-29, 2-41	386344	3-158	386634	2-13
386162	2-29	386346	2-15	386642	3-19
386163	3-117	386349	2-45	386643	2-29
386200	2-9	386351	2-39	386652	3-97
386201	2-13	386356	2-59, 2-61, 3-53, 3-57	386658	3-33, 3-39
386202	2-13	386364	3-117, 4-12	386663	3-31, 3-37
386209	3-27	386367	2-27	386664	3-31, 3-37
386214	3-27			386666	3-31, 3-37
386215	3-27			386679	2-49, 4-8
386216	3-27			386687	2-49, 3-43, 4-10
386217	2-17			386701	3-27
38622	3-13, 3-15			386702	3-27
386222	2-29			386703	3-27, 4-14
386223	2-2, 2-3, 2-41			386704	3-27, 4-13
				386711	3-28
				386761	2-13

CROSS REFERENCE

Part Number	Page Number	Part Number	Page Number	Part Number	Page Number
386785	2-41	387027	3-139	387429	2-65, 3-129, 3-131
386804	2-77, 2-79	387032	2-105	387430	2-65, 3-129, 3-131
386806	3-35	387033	2-11	387431	3-129, 3-131
386807	2-73, 2-75	387035	2-23	387432	2-65
386808	2-15	387043	3-139	387433	2-67, 2-69, 3-129, 3-131, 3-133, 3-135
386809	2-15	387045	3-97	387435	3-129
386810	2-73, 2-75, 3-27, 3-35	387049	3-117	387436	3-129, 3-131
386825	2-2, 3-43	387050	3-125	387438	2-67, 2-69, 3-129, 3-131, 3-133, 3-135
386826	2-2, 3-43	387061	2-29, 3-97	387441	3-139
386827	3-45, 3-77	387080	3-45, 3-77	387446	3-129
386833	2-2, 2-3, 3-129, 3-131	387109	3-97	387447	3-129
386834	2-2, 2-3, 3-129, 3-131	387126	3-111	387448	2-67, 2-69, 3-133, 3-135
386835	3-129, 3-131	387127	3-107	387450	2-11
386836	3-129, 3-131	387151	3-33, 3-39	387451	2-11
386841	3-61, 3-79	387157	3-5	387452	3-27, 3-35
386842	3-61, 3-79	387158	3-13	387453	2-71
386844	3-59, 3-77	387159	3-97	387457	3-161
386847	2-65, 3-129, 3-131	387160	3-97	387460	2-11
386860	2-67, 3-133	387161	3-97	387467	3-99
386861	3-129	387162	3-45	387483	3-111
386865	3-59, 3-77	387201	2-43	387494	3-162
386868	3-69, 3-71, 3-87, 3-89	387208	3-13	387499	2-45
386875	3-19	387213	3-107	387500	2-67, 2-69, 3-129, 3-131, 3-133, 3-135
386876	3-45, 3-77	387221	3-107, 3-109	387506	2-3
386909	3-39	387230	3-45	387509	3-55
386915	2-25	387236	3-97	387516	3-55
386920	2-81	387237	2-67, 2-69, 3-129, 3-131, 3-133, 3-135	387517	2-3, 3-55, 3-75, 3-93
386921	2-81	387245	3-45, 3-77	387525	2-105
386922	2-81	387250	4-7	387529	2-81
386923	2-9	387251	4-7	387530	3-41
386924	2-15	387256	2-3, 3-55, 3-75, 3-93	387531	3-35
386932	3-145	387257	2-67, 2-69, 3-133, 3-135	387536	3-35
386934	3-147	387258	3-129, 3-131	387545	2-3, 3-55
386936	3-151	387262	3-127	387546	2-3, 3-55
386958	3-23	387266	3-97	387560	3-41
386961	2-47	387271	3-87	387562	3-35
386963	3-25	387294	2-2, 2-49	387577	3-31
386968	3-139	387300	3-9	387585	2-49, 4-9
386973	2-13	387301	3-5	387587	4-9
386975	2-17	387302	2-102	387588	4-9
386976	2-17	387321	3-123, 4-11	387589	4-9
386983	3-19	387322	3-143	387590	4-9
386984	3-19	387324	3-143	387592	4-9
386985	2-47	387340	3-95	387593	2-41
386986	2-59, 2-61, 3-53, 3-55, 3-57, 3-69, 3-71, 3-87, 3-89	387344	3-13	387594	2-29
386987	2-59, 2-61, 3-53, 3-55, 3-57, 3-69, 3-71, 3-87, 3-89	387346	2-23	387597	4-13
386988	2-47	387348	2-13	387598	4-13
386993	2-13	387371	4-8	387599	4-13
386995	2-13	387372	4-8	387600	4-13
387000	3-141	387373	4-8	387601	4-13
387003	3-115	387374	4-8	387602	4-13
387010	2-27	387392	2-21	387603	4-13
387014	2-2, 2-27	387393	3-27	387604	4-13
387015	3-160	387405	3-35, 3-41	387605	4-13
387021	2-11	387422	3-125	387606	4-13
387023	2-2, 2-3	387424	2-102	387607	4-13
		387425	2-39		
		387426	2-65		

CROSS REFERENCE

Part Number	Page Number	Part Number	Page Number	Part Number	Page Number
387608	4-13	398512	4-5	48591	3-159
387609	4-13	398513	4-5	48609	3-119, 3-127
387610	4-13	398514	4-5	48610	2-55, 3-49, 3-65, 3-83, 3-123
387615	2-41	398515	4-5	48732	3-61, 3-79
387634	2-11	398516	4-5	48733	3-107, 3-109, 3-111, 3-113
387636	2-71	398517	4-5	48734	3-107, 3-109, 3-111, 3-113
387637	2-71	398518	4-5	48753	4-6
387639	2-75	398519	4-5	48754	4-6
387640	2-71	398520	2-45, 4-5	48755	4-6
387641	2-79	398526	2-82, 2-83, 3-13, 3-15	48756	4-6
387648	2-75	398802	3-55	48757	4-6
387654	2-9	40566	2-53, 2-55, 3-47, 3-49, 3-63, 3-65, 3-81, 3-83	48758	4-6
387659	2-23	40607	2-45	49142	3-47
387660	2-2, 2-23	40678-1	2-53, 2-55, 3-101	49177	2-19
387671	3-73	40814	2-51, 3-45, 3-59, 3-77	49263	2-49, 3-43
387672	3-91	41186	2-49, 3-43	49266	2-19, 2-53, 2-55, 3-5, 3-7, 3-13, 3-35, 3-41, 3-47, 3-49, 3-97, 3-125
387683	2-29	41187	2-23	49697	2-13
387685	2-41	41305	3-69, 3-71, 3-87, 3-89	49740	2-29
387700	2-21	41315	3-63, 3-81	49745	2-29
387976	2-49	41341	3-33, 3-39	49800	2-13
39005	2-25, 2-27, 2-51, 2-57, 2-65, 3-31, 3-33, 3-37, 3-39, 3-45, 3-51, 3-59, 3-67, 3-77, 3-85	41342	3-27, 3-35	49826	2-11, 3-65, 3-83, 3-97
390879	3-33	41345	2-23	49914	3-33, 3-39
390880	2-63	41359	2-77	50388	2-17
391433	4-18	41367	4-7	51109	2-25
391451	2-29	41368	4-7, 4-8	51225	2-47
391954	2-15	41371	4-7, 4-8	51338	2-27, 3-160
39277	3-5, 3-7, 3-9, 3-11, 3-31, 3-37	41401	3-35	51339	2-27
39278	3-45, 3-77	41410	3-95	51414	2-9
39283	3-31, 3-37	41421	2-43, 3-99	51528	3-33, 3-39
39284	2-21, 3-107, 3-109, 3-111, 3-113	41430	2-21, 3-19, 3-21, 3-23, 3-35, 3-41	51534	2-65
39285	2-17	41451	2-43, 3-99	53268	2-31
39308	2-21, 2-57, 3-51, 3-67, 3-85	41454	2-43, 3-99	53466	2-33
39311	2-77, 2-79	41579	2-5, 2-7, 3-117, 4-17	53782	2-65, 3-129, 3-131
39312	2-21	41619	2-47, 2-67, 2-69, 3-129, 3-131, 3-133, 3-135	54333	2-31, 2-33, 2-35, 2-37, 2-53, 2-55, 3-47, 3-49, 3-65, 3-83, 3-101, 3-123
39323	3-61, 3-79	41702	2-73, 2-75	54390	2-27
39338	2-17	42011	2-39	54577	2-27
39348	2-77, 2-79	42133A	2-29	54743	2-13
39349	2-25, 2-73, 2-75, 3-5, 3-7, 3-9, 3-11, 3-27, 3-35, 3-139	43290	2-47	55248	3-35, 3-41
39350	2-9	43454	3-103	55685	3-27
39717	2-21	43500	2-65	56185	3-27
397916	2-7	43555	2-31	56398	3-27
397920	2-5	43844	3-101, 3-117	56690	3-27
397976	2-7	43957	2-23	56820	3-27
39807	3-13, 3-15	44078	2-15	57248	2-37
398281	3-152	44681-1	3-5, 3-7, 3-9, 3-11	57379	2-29
398283	3-153	44681-2	3-5, 3-7, 3-9, 3-11	57598	3-31, 3-37
398285	3-154	44681	3-5, 3-7, 3-9, 3-11	578060000	3-121
398288	3-155	44961	2-53, 2-55, 3-47, 3-49	578061000	3-121
398292	3-156	45272	3-5, 3-9	578063000	3-121
398468	2-31	45283	3-5, 3-7, 3-9, 3-11	578064000	3-121
398501	3-95	45391	3-13, 3-15	578066000	3-121
398511	4-5	45595	3-35	578071000	3-119
		45628	4-14		
		46390	3-61, 3-79		
		46563	2-25		
		48589	3-159		

CROSS REFERENCE

Part Number	Page Number	Part Number	Page Number	Part Number	Page Number
578072000	3-119	63923	4-12	73467	3-117
578074000	3-121	63987-1	2-53, 2-55, 3-47, 3-49	73468	3-95
578077000	3-121	64425	2-59, 2-61, 2-65, 3-53, 3-57, 3-69, 3-71, 3-87, 3-89	73474	2-53, 2-55, 3-47, 3-63, 3-81
578078000	3-121			73475	3-95
578091000	3-121	64489	3-33, 3-39	74114	4-15
578094000	3-121	64533	2-11	74142	3-27
578123000	3-121	64743	2-35, 2-37, 3-101	74196	4-15
578124000	3-121	64778	2-35, 2-37, 3-65, 3-83, 3-101	74231	4-15
578125000	3-121			74232	4-15
578126000	3-121	65340	3-121	74243	4-15
578143000	3-121	65341	3-119	74244	4-15
578154000	3-121	65342	3-123	74245	4-15
578155000	3-121	65580	3-125, 3-127	74440	2-17
578160000	3-119	65581	3-123	74455	2-21, 3-107, 3-109, 3-111, 3-113
578161000	3-121	65582	3-121	75611	2-29, 2-43, 3-95
578164000	3-121	65610	3-121	75635	3-107, 3-109, 3-111, 3-113
578214000	3-121	65665	2-15		
578228000	3-121	65667	4-11	75939	3-35
578276000	3-119	65668	4-11	76062	2-73, 2-75
578318000	3-119	65670	4-11	763504	4-14
578439	3-121	65671	4-11	763508	4-14
578820000	3-119	65672	4-11	76570	2-11, 2-17, 3-101
578821000	3-121	65673	4-11	76653	2-59, 2-61, 3-53, 3-57
578856	4-17	65674	4-11	77227	2-63
579112	3-121	65675	4-11	77228	2-63
57984	3-27	65676	4-11	77270	3-51, 3-85
58494	2-57, 3-51, 3-67, 3-85	65677	4-11	77272	2-63
59009	2-25	65678	4-11	77275	3-59, 3-77
59661	3-71, 3-89	66211	2-2, 2-27	77276	3-59, 3-77
59940	2-17	66213	2-2, 2-3, 2-27	77277	3-59, 3-77
60189	4-7	67004	3-97, 3-125, 3-127	77334	3-47, 3-49
60198	2-23, 4-6	67683	3-27	77347	2-29, 2-41
602036000	3-121	67767	2-9, 2-57, 3-47, 3-49, 3-51, 3-67, 3-85	77488	2-65
60278	2-102			78122	3-123
603103000	2-81	69234	3-63, 3-65, 3-81, 3-83, 3-97	78398	3-65, 3-83, 3-95
60386	4-3, 4-5			78553	2-15
607775	4-17	69582	2-25	78740	2-29
61297	4-3, 4-5	69785	2-29	78842	2-29
61298	4-3	70158	2-27	78950	4-11, 4-18
61300	4-3, 4-5	70161	2-27	78951	4-11, 4-18
61301	4-3	70709	3-27	78952	4-18
613735	2-33	70756	3-69, 3-87	78979	2-63
61791	2-23	71026	2-73	79217	2-63
621478	3-61, 3-79	71100	2-65, 3-129, 3-131	79273-1	2-35, 2-37, 3-101, 3-123
630164	3-101	71101	2-2, 2-3, 2-65		
63147	2-57, 3-67	71529	2-77	79273-2	2-29, 3-95
63184	3-123	71607	2-59, 2-61, 3-53, 3-57, 3-69, 3-71, 3-87, 3-89	79273-4	2-53, 2-55, 3-47, 3-65, 3-83
63244-1	3-95				
63244-2	3-47, 3-95	71658	2-65	79320	2-2, 2-3, 2-43, 3-99
63248-1	2-7	72164	3-13, 3-15	79350	2-39
63248-2	2-7	72171	3-13, 3-15	79497	3-95
63248-3	2-7	72172	3-13, 3-15	79572	3-65, 3-83
63248-4	2-7	72174	3-13, 3-15	80127	3-31, 3-37
63416	2-29, 3-97	72439	3-69, 3-87	80491	2-59, 2-61, 3-53, 3-57
63430	3-127	72946	2-51, 3-45, 3-51, 3-59, 3-77	81771	3-79
63448	3-127			81919	3-31, 3-37
63451	3-127	72950	3-47	81952	2-63
63740	2-79	72968	2-49, 3-43, 3-125, 3-127	82829	2-13, 3-101
63810	2-53, 2-55, 3-47, 3-49, 3-95, 3-97				

Part Number	Page Number	Part Number	Page Number
82839	2-21	9006931	3-131
83052	3-61, 3-79	9006935	3-21
83733	2-27	9006938	3-149
83874	2-67, 2-69, 3-129, 3-131, 3-133, 3-135	9006940	3-109
84028	2-53, 2-55, 3-47, 3-49, 3-63, 3-65, 3-81, 3-83	9006947	3-15
84057	3-123	9006948	3-11
84593	2-63	9006949	3-7
86375	2-73	9006951	2-23
86393	2-77	9006959	3-113
86508	3-95	9006966	2-41
86636	2-29, 3-117	9006967	2-29
86759	2-59, 2-61, 3-53, 3-55, 3-57, 3-69, 3-71, 3-87, 3-89	9006972	2-29
86767	3-127	9006974	2-41
86824	3-47		
86860	2-25, 3-31, 3-37		
86866	2-59, 2-61, 3-53, 3-55, 3-57		
87172	3-31, 3-37		
87173	3-101		
87244	3-75, 3-93		
87346	2-9		
87349	2-73, 2-75		
87355	2-23		
87419	2-5, 2-7		
87482	2-73		
87483	2-73, 2-77		
87507	2-73		
87709	3-5, 3-7, 3-9, 3-11		
87725	2-21		
87750	2-23		
87816	2-59, 2-61, 3-53, 3-57, 3-69, 3-71, 3-87, 3-89		
87839	2-23		
87840	2-23		
87841	2-23		
87849	2-23		
87948	2-9		
87949	2-9		
9001397	3-136		
9001398	3-137		
9002022	2-37		
9003008	4-19		
9003009	4-19		
9006106	3-105		
9006107	3-105		
9006108	3-105		
9006118	2-37, 4-19		
9006119	4-19		
9006159	4-17		
9006257	3-162		
9006268	4-17		
9006270	3-101, 4-17		
9006325	4-17		
9006924	3-45, 3-77		
9006925	3-17		
9006930	2-69, 3-135		

PART DESCRIPTION TO PAGE NUMBER CROSS REFERENCE LIST

A

Actuator, 36vdc, 01.8strk, 300lb, 3-33, 3-39
 Actuator, 36vdc, 02.1stroke 500lb, 2-65
 Actuator, 36vdc, 02.7stroke 500lb, 2-57, 3-67
 Actuator, 36vdc, 7.0stroke, 700lb, 2-47
 Adapter, Brush, 3-31, 3-37
 Adaptor, Brush, 2-5, 2-7
 Adaptor, 3-121
 Alarm Assy, Backup, 12-48vdc 82-102dba, 3-13, 3-15
 Alarm Kit, Backup / A/V, Iron Gray, Ci, 3-15
 Alarm, 9-48vdc, 95 Db(A) [Ec-H20], 3-101
 Alarm, Warning, 10-48vdc, 2-15
 Angle, 1.00 0.75 .12t 00.8l Hr, 3-53
 Angle, Battery, R/O, Iron Gray, 3-139
 Angle, Iron Gray, 3-63, 3-65, 3-73, 3-75, 3-81, 3-83, 3-91, 3-93
 Angle, Mtg, Es, Iron Gray, 3-95, 3-123
 Angle, Mtg, Pump, Detgt, Iron Gray, 3-117
 Angle, Wand, Clean-Out, Iron Gray, 3-97
 Arm Wldt, Brake, Lh, Iron Gray [7200], 2-27
 Arm Wldt, Brake, Rh, Iron Gray [7200], 2-27
 Arm Wldt, Front, Lh, Iron Gray, 3-71, 3-89
 Arm Wldt, Front, Lh, 3-71, 3-89
 Arm Wldt, Front, Rh, Iron Gray, 3-69, 3-87
 Arm Wldt, Front, Rh, 3-69, 3-87
 Arm Wldt, Lift, Scb Head, Gray [7300], 2-47
 Arm Wldt, Pivot, Side, Gray [7300/8300], 2-57, 3-51, 3-67, 3-85
 Arm Wldt, Rear, Lh, Iron Gray, 3-71, 3-89
 Arm Wldt, Rear, Lh, 3-71, 3-89
 Arm Wldt, Rear, Rh, Iron Gray, 3-69, 3-87
 Arm Wldt, Rear, Rh, 3-69, 3-87
 Arm Wldt, 2-65
 Arm, Cntrl, Throttle, Electronic, 2-21
 Arm, Latch, Iron Gray, 3-69, 3-71, 3-87, 3-89
 Arm, Mtg, Side Sqge Frame, Ele, Gray, 2-59, 2-61, 3-57
 Arm, Mtg, Side Sqge Frame, Ele, 3-53
 Armature Assy, Complt, 4-7
 Armature, 4-3, 4-5
 Assy, Rod-End, .50, 4-17
 Axle, Wand, 3-121

B

Bag, Power, 3-125, 3-127
 Ball, Check, Strg Valve, 4-15
 Ball, Check, 4-13
 Balljoint, .25-28 Fem/.25-28mal, 2-21
 Band, Brush Cover, 4-6
 Bar Assy, Spray [7300/8300], 3-83
 Bar Wldt, Battery, R/O, 3-139

Bar Wldt, Retainer, Sqge, Rear, 2-67, 2-69, 3-129, 3-131, 3-133, 3-135
 Bar, 2-29, 2-41
 Battery Kit, 36vdc 0600ah, Sealed, Ci, 3-149
 Battery Kit, Wet, 36vdc 0500ah, Ci, 3-145
 Battery, 36Vdc, 380Ah, Wet, 3-143
 Battery, 36vdc, 600ah, Sealed, 3-147, 3-149
 Battery, Wet, 36vdc 0500ah, 3-145
 Battery, Wet, 36vdc 0750ah, 3-151
 Bearing cover, 4-11
 Bearing Kit, 4-15
 Bearing, Ball, 0.75b 1.38d 0.50w, 2-17
 Bearing, Ball, 0.79b 1.85d 0.55w, 3-61, 3-79
 Bearing, Cone, 1.38b 0.71w, 2-27
 Bearing, Cup, 2.56D 0.55W, 3-160
 Bearing, Cup, 2.56d 0.55w, 2-27
 Bearing, Flange, 2-17
 Bearing, Needle, 0.25b 0.88d 0.50w, 3-139
 Bearing, Thrust, 0.66b 1.25d 0.06w, 2-63, 2-65, 3-33, 3-39
 Bearing, Thrust, 0.75b 1.25d 0.06w, 2-65
 Bearing, Thrust, 2-25, 3-31, 3-37, 4-14
 Bearing, 2-23, 4-3, 4-5, 4-6, 4-7, 4-8, 4-9, 4-10
 Bellcrank, Lift, Head, Iron Gray, 2-47
 Belt, Drive (Cylindrical Brush), 2-2, 3-61, 3-79
 Belt, Drive, 2-3
 Blade Assy, Sqge, Side, 2-3, 3-55
 Blade Kit, Sqge, Ure, [Mp1000], 3-136
 Blade Kit, Sqge, Ure, [Mp1200], 3-137
 Blade, Sqge, Front 48.0l, 2-2, 2-3, 3-129, 3-131
 Blade, Sqge, Front, Mp1000, Tile, 2-67, 2-69, 3-133, 3-135
 Blade, Sqge, Front, Mp1200, Tile, 3-129, 3-131
 Blade, Sqge, Front, 2-2, 2-3, 2-67, 2-69, 3-133, 3-135, 3-136, 3-137
 Blade, Sqge, Rear 48.0l, 2-2, 2-3, 3-129, 3-131
 Blade, Sqge, Rear, 2-2, 2-3, 2-67, 2-69, 3-133, 3-135, 3-136, 3-137
 Blade, Squeegee, 2-3, 3-55, 3-121
 Block, Adj, 3-33, 3-39
 Bolt, Eye, M10x1.5 X 2.0 X .28 Eye, 2-65, 3-129, 3-131
 Bolt, Eye, M8 X 1.25, 2.75l, 2-59, 2-61, 3-53, 3-57, 3-69, 3-71, 3-87, 3-89
 Bolt, Shld, .38DX0.38, .31-18, 3-139
 Bolt, 2-23
 Boot, 90deg .50d .57d X .84, 2-23
 Boot, Circuitbreaker, 3-101
 Boot, Protector, Circuitbreaker, 2-71
 Box, Accelerator, 2-21
 Box, Circuitboard, Iron Gray, 2-81
 Box, Circuitboard, 2-81
 Bracket Wldt [7300/8300 FaST], 2-33

Bracket Wldt [7300/8300-FaST], 2-33
 Bracket Wldt [7300/8300 Fast li+], 2-37
 Bracket Wldt, Hose, Water, Iron Gray, 2-39
 Bracket Wldt, Module, 3-101
 Bracket Wldt, Mtg, Fan, Iron Gray, 2-45
 Bracket Wldt, Mtg, Fan, 2-45
 Bracket Wldt, Mtg, Spring, 2-59, 3-53
 Bracket Wldt, Pivot, 2-63
 Bracket Wldt, Steering, Tilt, Iron Gray, 2-17, 3-27
 Bracket Wldt, Tank, 2-41
 Bracket, Adapter, Mtg, Kick In, Frame, 3-45, 3-77
 Bracket, Adaptor, Mtg, Kick In, Frame, 3-45, 3-77
 Bracket, Bar, Spray, 40.0 [7300/8300], 3-65
 Bracket, Bar, Spray, 48.0 [7300/8300], 3-83
 Bracket, Cntrl, Cable, Iron Gray, 2-39
 Bracket, Component, 3-101
 Bracket, Fan End, 4-3, 4-5
 Bracket, Full, 2-29, 3-97
 Bracket, Guard, Iron Gray, 2-39
 Bracket, Guard, 2-39
 Bracket, Handle, Water, Iron Gray, 2-39
 Bracket, Harness, Iron Gray, 2-41
 Bracket, Hsng, Brush, Iron Gray, 3-35, 3-41
 Bracket, Hsng, Brush, 3-35, 3-41
 Bracket, Iron Gray, 3-33, 3-39
 Bracket, Latch, Cover, Iron Gray, 2-11
 Bracket, Latch, Cover, 2-11
 Bracket, Motor, Mtg, 3-31
 Bracket, Mtg [Fast li+], 2-37
 Bracket, Mtg, Circuitbreaker [Hi-Mag], 2-11
 Bracket, Mtg, Circuitbreaker, [Hi-Mag], 2-11
 Bracket, Mtg, Controller, Sgl, Iron Gray, 2-75
 Bracket, Mtg, Controller, Sgl, 2-75
 Bracket, Mtg, Controller, Sgl, 2-75
 Bracket, Mtg, Es, Iron Gray, 3-95
 Bracket, Mtg, Iron Gray, 3-7, 3-15
 Bracket, Mtg, Motor, Iron Gray, 3-31, 3-37
 Bracket, Mtg, Pump, Detgt [7300/8300], 2-33
 Bracket, Mtg, Relay, Iron Gray, 2-75
 Bracket, Mtg, Relay, 2-75
 Bracket, Mtg, Tank, Iron Gray, 2-29, 2-41
 Bracket, Mtg, Valve, Solenoid, 2-31
 Bracket, Mtg, 3-5, 3-13, 3-121
 Bracket, Panel, 2-23
 Bracket, Pivot, Iron Gray, 3-33
 Bracket, Pivot, 3-39
 Bracket, Protector, Float Switch, 2-41, 3-97
 Bracket, Retainer, Filter, 2-41
 Bracket, Retainer, Spring, 2-5, 2-7
 Bracket, Retaining, Filter, 2-41
 Bracket, Retaining, Iron Gray, 2-41
 Bracket, Retaining, Tank, Detgt, 3-117
 Bracket, Sppt, Auto Fill, Iron Gray, 3-95
 Bracket, Sppt, Tilt, Iron Gray, 2-17

Bracket, Spring, Iron Gray, 2-65
 Bracket, Step, Iron Gray, 3-45
 Bracket, Stop, Bar, Lh, Iron Gray, 3-131
 Bracket, Stop, Bar, Rh, Iron Gray, 3-131
 Bracket, Stop, Frame, Iron Gray, 3-43
 Bracket, Stop, Frame, 2-49
 Bracket, Tube, Tee, 3-55, 3-75, 3-93
 Bracket, Valve, Large, 4-17
 Bracket, Wand, Power, Iron Gray, 3-123
 Bracket, 2-13, 3-45, 3-121
 Brake Assy, 2-27
 Brake Repair Kit, 2-27
 Brake Shoes, 2-2, 2-27
 Brush, 4-9
 Brush Assy, Disk, Scb, 16.0 D, Pyp, 2-7
 Brush Assy, Disk, Scb, 16.0D, Nylon, 2-7
 Brush Assy, Disk, Scb, 16.0D, Super Abrasive, 2-7
 Brush Assy, Disk, Scb, 20.0 D, Nyl, 2-5
 Brush Assy, Disk, Scb, 20.0 D, Pyp, 2-5
 Brush Assy, Disk, Scb, 20.0 D, Super Abr, 2-5
 Brush Holder Assy, 4-8
 Brush kit, propelling motor, 4-6
 Brush Kit, 4-8, 4-10
 Brush Mechanism, 4-5
 Brush mechanism, 4-3
 Brush, Block, Scrub, Ab, 3-121
 Brush, Block, Scrub, Poly, 3-121
 Brush, Board, Assy, 4-9
 Brush, box & plate assy, 4-6
 Brush, Carbon, 3-61, 3-79
 Brush, Disk, Swp, 19.0D, Pyp (Option), 2-5, 2-7
 Brush, Scrub, 39l, 20sr, Nyl, Spl, 2-5
 Brush, Scrub, 39l, 20sr, Pyp, Spl, 2-5
 Brush, Scrub, 39l, 20sr, Super Abr, Spl, 2-5
 Brush, Scrub, 47l, 20sr, Nyl, Spl, 2-7
 Brush, Scrub, 47l, 20sr, Pyp, Spl, 2-7
 Brush, Scrub, 47l, 20sr, Super Abr, Spl, 2-7
 Brush/rectifier Assy, 4-11
 Brush, 4-6, 4-7
 Brushholder, Motor, Ele, 3-31, 3-37
 Bumper Wldt, Iron Gray, 2-9, 3-35
 Bumper Wldt, 2-9, 3-35
 Bumper, Neo, 1.5d .63t .31h, 2-51, 2-63, 3-129, 3-131
 Bumper, Poly-E, 2-67, 2-69, 3-129, 3-131, 3-133, 3-135
 Bumper, Posi Drain, Recvy Side, 3-107, 3-111
 Bumper, Pye, 2-49, 3-43, 3-59, 3-77
 Bumper, Rbr, 1.19d .72l, 2-47
 Bumper, Rbr, 2.0d 0.75t .38-16, 3-69, 3-87
 Bumper, Rear, Lh, Iron Gray, 3-17
 Bumper, Rear, Lh, 3-16
 Bumper, Rear, Rh, Iron Gray, 3-17
 Bumper, Rear, Rh, 3-16
 Bumper, Side, Recvy, Gray [Posi Drain], 3-109
 Bumper, Side, Scb Head, Wide, Iron Gray, 3-45, 3-77

Bumper, Side, Scb Head, Wide, 3-45, 3-77
 Bumper, Side, Soltn, Gray [Posi Drain], 3-113
 Bumper, Sqge, 2-67, 2-69, 3-129, 3-131, 3-133, 3-135
 Bumper, 3-59, 3-77
 Busbar, .06 0.6w 2.5l 2/.28h, 2-73, 2-77
 Busbar, Fuse, .6 0.6w 0.8h 2.0l, 2-73
 Bushing Assy, Flng, 2 Hole, 0.50b, 3-27
 Bushing, Flng, 0.50b 0.59d 0.38l, 2-47, 3-33, 3-39
 Bushing, Flng, 0.63b 0.72d 0.25l, 2-39, 2-47, 2-57, 3-51, 3-67, 3-85
 Bushing, Flng, 0.63b 0.75d 0.38l, 2-59, 2-61, 3-53, 3-57, 3-69, 3-71, 3-87, 3-89
 Bushing, Flng, 0.71b 0.79d 0.47l, 2-17
 Bushing, Flng, 0.75b 1.00d 1.00l, Nyl, 2-17
 Bushing, Flng, 1.00b 1.13d 0.38l, 2-27
 Bushing, Light, Led, 3-103
 Bushing, Sleeve, 0.37b 0.50d 0.50l, 2-25
 Bushing, Sleeve, 0.38b 0.63d 0.57l, Stil, 2-17
 Bushing, Sleeve, 0.63b 0.72d 0.38l, 2-59, 2-61, 3-53, 3-57, 3-69, 3-71, 3-87, 3-89
 Bushing, Taper Lock, 3-27
 Button, Plug, 1.1 X 1.1h, Black, Plstc, 2-15

C

Cable Assy, 2-11
 Cable, .12d, 13.3l, .2clevis/.2clevis, 2-2, 2-3, 2-65
 Cable, .13d, 10.0l, .51eye /.51eye, 3-31, 3-37
 Cable, .13d, 15.5l, .50eye /.50eye, 2-57, 3-51, 3-67, 3-85
 Cable, Pull, 2-25
 Cable, Push Pull, 2-39
 Cable, Ribbon, 34 Conductor, 2-15
 Cable, Safety, Battery, 3-139
 Cam, Front, 3-61, 3-79
 Cam, Rear, 2-67, 2-69, 3-61, 3-79, 3-129, 3-131, 3-133, 3-135
 Cam/bearing/Diaphragm Kit, 4-11
 Cam, 2-67, 2-69, 3-129, 3-131, 3-133, 3-135
 Cap Assy, 3-107, 3-109
 Cap Screw, 4-14
 Cap, Brush, Motor, Ele, 3-31, 3-37
 Cap, Dust, 3-107, 3-109, 3-111, 3-113
 Cap, End, 4-14, 4-15
 Cap, Hub 2.567 Hole, 2-27
 Cap, Neoprene Black, 2-65, 3-47
 Cap, Plastic, 2-29
 Cap, Tank, Drain, 2.25 Thread Pye, 2-43, 3-99
 Cap, Tank, Drain, 3.85 Thread Pye, 2-43, 3-99
 Cap, Tank, Drain, 6.17 Thread Pye, 2-29, 3-107, 3-109, 3-111, 3-113
 Cap, Tank, 2-43, 3-99, 3-117

Cap, Tube, 3-27
 Cap, Vyl, .234id .750l .04, 2-13
 Capacitor, Plug [.01 Uf, 200v], 3-103
 Caster Kit, Sqge, Replmt, 2-63
 Chain, Coil, Str, #210, 09.0l 07 Link, 2-65
 Chain, Roller, #40 X 109 Pitches, 3-27
 Chain, Roller, #40 X 130 Pitches, 2-17
 Chain, Sash, #35, 07.2l 13 Link, 3-107, 3-109, 3-111, 3-113
 Channel Wldt, Guard, Rh, Iron Gray, 2-69, 3-135
 Channel Wldt, Iron Gray, 2-63, 3-131
 Channel Wldt, Steering, Iron Gray, 2-9
 Channel Wldt, Steering, 2-9
 Channel Wldt, 2-63, 2-67, 3-129, 3-133
 Channel, .19, 2.5w 1.0 29.3l, H&S, Gray, 2-29
 Channel, Battery, R/O, Iron Gray, 3-139
 Channel, Iron Gray, 3-33, 3-39
 Channel, Spring, 2-65
 Channel, Stop, Lh, 3-129
 Channel, Stop, Rh, 3-129
 Channel, 2-29, 2-41
 Charger, 36V/120A 60H/1Ph 480V, 3-154
 Charger, 36V/120A 60H/3Ph 480V, 3-155
 Charger, 36V/150A 60Hz, 3-156
 Charger, 36V/75A 60Hz/1Ph, 3-152
 Charger, 36V/75A 60Hz/3Ph, 3-153
 Charger, 36V/93A 60Hz, 1Ph, Sealed, 3-157
 Charger, 36V/93A 60Hz, 3Ph, Sealed, 3-158
 Check valve assy, 4-11
 Chrome Pltd Cam Shaft, 2-27
 Circuitboard, Assy, [7300/8300], 2-81
 Circuitboard, Pedal, 2-21
 Circuitboard, Sweeper, [8300], 3-35
 Circuitbreaker, 10.0a, 2-71, 2-82
 Circuitbreaker, 15.0a (Power Wand / Side Sweep Option), 2-71
 Circuitbreaker, 15.0a, 2-71, 3-35
 Circuitbreaker, 20.0a, 2-71
 Circuitbreaker, 25.0a, 2-71
 Circuitbreaker, 30.0a, 2-71
 Circuitbreaker, 40.0a (Power Steering Option), 2-71
 Circuitbreaker, 50.0a (Center Brush Option), 2-71
 Circuitbreaker, 05.0A, Resetable, 2-83
 Circuitbreaker, 15.0 A, 3-5, 3-7, 3-9, 3-11
 Circuitbreaker, 2.0a, Resetable, 3-101
 Circuitbreaker, 40a, (Max Prot 1000 Disk W/Std Motor), 2-71
 Circuitbreaker, 40a, (Max Prot 1200 Disk), 2-71
 Circuitbreaker, 45a, (Max Prot 1000 Cylindrical), 2-71
 Circuitbreaker, 45a, (Max Prot 1000 Disk W/Hd Motor), 2-71
 Circuitbreaker, 45a, (Max Prot 1200 Cylindrical), 2-71
 Circuitbreaker, 50.0a, 2-71
 Clamp Wldt, Front 48.0l, 3-129, 3-131

CROSS REFERENCE

- Clamp Wldt, Front, 2-3, 2-67, 2-69, 3-133, 3-135
Clamp Wldt, Rear 48.0l, 3-129, 3-131
Clamp Wldt, Rear, 2-3, 2-67, 2-69, 3-133, 3-135
Clamp, Cable, Stl, 0.38d X 0.38w, 1h, 3-5, 3-7, 3-13, 3-15
Clamp, Cable, Stl, 0.56d X 0.38w, 1h, 2-47
Clamp, Cable, Stl, 0.63d X 0.75w, 1h, 2-13
Clamp, Cable, Stl, 0.63d X 0.75w, 1hole, 3-101
Clamp, Cable, Stl, 0.69d X 0.62w, 1h, 2-9, 2-57, 3-47, 3-49, 3-51, 3-67, 3-85
Clamp, Cable, Stl, 0.75d X 0.75w, 1h, 3-65, 3-83
Clamp, Cable, Stl, 0.88d X 0.62w, 1h, 2-53, 2-55
Clamp, Cable, Stl, 0.88d X 0.62w, 1hole, 3-101
Clamp, Cable, Stl, 1.00d X 0.62w, 1h, 3-63, 3-65, 3-81, 3-83, 3-97
Clamp, Cable, Stl, 1.50d X 1.00w, 1h, 2-33
Clamp, Hose .40 - .42 2 Wire, 2-33
Clamp, Hose, Plstc, 1.60d X 0.62w, 2-43, 3-99
Clamp, Hose, Wir, .52 - .56, Yel, 4-17
Clamp, Hose, Wir, .63 - .66, Blk, 4-17
Clamp, Hose, Wormdrive, 0.25-0.62d, .31w, 3-101
Clamp, Hose, Wormdrive, 0.25-0.62d, 3-117
Clamp, Hose, Wormdrive, 0.31-0.88d, .31w, 2-37, 2-53, 3-101
Clamp, Hose, Wormdrive, 0.31-0.88d, 2-31, 2-33, 2-35, 2-55, 3-47, 3-49, 3-65, 3-83, 3-123
Clamp, Hose, Wormdrive, 0.50-1.06d, 3-47
Clamp, Hose, Wormdrive, 0.56-1.06d, .56w, 2-53, 2-55, 3-47, 3-49, 3-97
Clamp, Hose, Wormdrive, 0.56-1.06d, 3-95
Clamp, Hose, Wormdrive, 0.81-1.50d, 2-3, 2-29, 2-53, 3-55, 3-63, 3-65, 3-75, 3-81, 3-83, 3-93
Clamp, Hose, Wormdrive, 1.56-2.50d, 2-45
Clamp, Hose, Wormdrive, 1.62-3.50d, 2-31
Clamp, Hose, Wormdrive, 1.81-2.75d, 3-75, 3-93
Clamp, Hose, Wormdrive, 2.50-3.50d, .50w, 3-101
Clamp, Hose, 3-119, 3-121
Clamp, Ribbon Cable, Hold-Down, 2-15
Clamp, Ribbon Cable, 2-15
Clamp, 4-3
Clevis, Adj, 0.19pin, #10-32, 2-39
Clevis, Adj, 0.38pin, 0.31-24, Lh, Pl, 2-27
Clevis, Adj, 0.38pin, 0.31-24, Pl, 2-27
Clip, Finger Grip, 3-97, 3-125, 3-127
Clip, Motor, Ele, 3-31, 3-37
Clip, Spring, Prop Arm, 3-75, 3-93
Clip, Sprocket, 2-23
Column Wldt, Steering, Iron Gray, 2-17
Column, Steering (Replaced by 387653), 3-27
Column, Steering, #14.0L .81D 36Tooth, 3-27
Comm. Bracket, 4-5
Comm. bracket, 4-3
Connector assy, 4-11
Connector Body, 4-8, 4-9, 4-10
Connector Kit, Tubing, 4-12
Connector, 2 Conductor, 4-3, 4-5
Connector, 2-Conductor, 4-7
Connector, 350a, Gray [Anderson], 3-145, 3-151
Connector, Andersn 350A, Gray, 3-154, 3-155
Connector, Anderson, 350A, Gray, 3-143, 3-147, 3-149, 3-152, 3-153, 3-156, 3-157, 3-158
Connector, Fem, 2cav, Mp280 Sealed, 4-18
Contact, Switch, 2-15
Contactor, 36vdc, [Spno], 2-73
Contactor, 36vdc, 100a, Spst, 2-75
Contactor, 36vdc, 200a, Dpdt, 2-75
Contactor, 36vdc, 200a, Spst, 2-75
Contactor, 36vdc, Spdt, 2-73
Contactor, 36vdc, 2-73, 3-27
Controller Kit, Replmt [Ec-H2o], 4-17
Controller, Motor, 36vdc, 1204, 2-73, 2-75
Coupling Body, Qf, Pm08, 2-35
Coupling Insert, Qm, Bm08, 2-35
Coupling, Fem, W/ Valve, .25 Brb, 2-33
Coupling, Flexible, 4-13
Coupling, Mal, .25 Npt, 2-33
Cover Kit, Recvy, W/ Gasket, Teal, 2-41
Cover Kit, Soltn, W/ Gasket, Teal, 2-29
Cover Kit, Soltn, W/ Gasket, 2-29
Cover Wldt, Iron Gray, 2-13
Cover Wldt, 2-13
Cover, Controlbox, 2-71
Cover, Drive, 3-61, 3-79
Cover, Front, Teal, 2-11
Cover, Front, 2-11
Cover, Idler, 3-61, 3-79
Cover, Insert, 2-43, 3-99
Cover, Iron Gray, 2-81
Cover, Rear, Teal, 2-13
Cover, Rear, 2-13
Cover, Reservoir, 4-13
Cover, Tank, Solution, 2-29
Cover, Tank, Top, Teal, 2-13
Cover, Tank, Top, 2-13
Cover, Tank, 2-29, 3-117
Cover, 2-81
Cradle Wldt, Battery, Iron Gray, 3-141
Crank Replacement Kit, 4-12
Cuff, Swivel, 3-119
- ### D
- Detergent Pkg, 2 Liter, Sgl, 365, 2-33
Detergent Pkg, 2 Liter, Sgl, 665, 2-33
Detergent Pkg, 4 Liter, Sgl [Tco 665], 2-33
Device, Centering, 2-5, 2-7
Diaphragm kit, 4-11
Diode, Ele, Plug, 2-15, 2-75, 2-103, 2-104, 3-103
Disc, 4-3
Disk, Pad Drive, W/ Face, 20d, 2-5
Disk, Pad Driver, W/Face, 16D, 2-7
Drain Kit, Gray, Ci [Posi Cntrl/Recvy], 3-109
Drain Kit, Gray, Ci [Posi Cntrl/Soltn], 3-113
Drive, Main, 4-14
Drive, Valve, Strg, 4-15
Driver Assy, Pad, 16D, 2-7
Driver Assy, Pad, 20.0D, 2-5
Drum, Cable, Lift, 2-65
Duct, Vyl, 0.40 X 0.75 .25d 23.0l, 3-9, 3-11
Duct, Vyl, 0.40 X 0.75 .25d 48.0l, 3-9, 3-11
- ### E
- Ec-H2o Kit, Module C, Plumbing, 4-17
Ec-H2o Kit, Cylrcl, 1000mm, Ci [73/8300], 3-105
Ec-H2o Kit, Cylrcl, 1200mm, Ci[73/8300], 3-105
Ec-H2o Kit, Disk, Ci [7300/8300], 3-105
Electrode, 5 Plate, High Flow, 4-17
Electrode, Cylindrical, 4-17
Element, Fltr, 4-13
Extinguisher, Fire, 3-161
- ### F
- Fan Assy, Vacuum (See Breakdown) (Replaced by 398520), 2-45
Fan Assy, Vacuum (See Breakdown), 2-45
Fan vacuum, 36v, 4-3
Fan, rotating, 4-3
Fan, stationary, 4-3
Fan, Vacuum, 5.7D, 036Vdc, 3 Stage, 2-45
Fan, Vacuum, 4-5
Fan, 4-3, 4-5
Fast 665 4 Ltr, Detergent, 2-37
Fast 965 4 Ltr, Detergent, 2-37
FaST Kit, Ci [Inj Rebid, 7300/8300], 4-19
Fast Kit, Ci, Injector Filters[Fast li+], 4-19
Fast Kit, Ci, Injector Seals [Fast li+], 4-19
Fast Kit, Injector, Ci [7300/8300] (See Breakdowns), 2-37
FaST Kit, Injector, Ci [7300/8300], 4-19
Filter Assy, Air, Molded Ure, 2-33
Filter, Fan, 2-3
Filter, Foam, 2-35
Filter, In-Line, Pf06/Pf06 080mesh 02.6l, 2-37, 3-101

Filter, Inline, Pf06/Pf06, 80 Mesh, 2-35
 Filter, Panl, Dust, 2.0 X 06.1 X 07.6, 2-2, 2-3, 2-41
 Filter, Soltn, 20mesh, Pf16 3.1d 02.3l, 2-29
 Fitting 1/8mx1/4h Barb Brs, 2-33
 Fitting Assy, Cap, 0.067b, Pf04, 2-31
 Fitting Assy, Cap, 0.086b, Pf04, 2-31
 Fitting Assy, Qdc, Pf04, 3-101
 Fitting, Brs, E90, Cf03/Pf02, 2-33
 Fitting, Brs, E90, Pm04/Bm08, 2-31
 Fitting, Brs, Qdc, Bm12/Qf08, 3-95
 Fitting, Brs, Qdc, Pm04/Qf06, 3-123
 Fitting, Brs, Str, Pf04/Pf04 Bkhd, 3-123
 Fitting, Brs, Str, Bm06/Pf02, Spcl, 3-101
 Fitting, Brs, Str, Bm06/Pf04, 3-101
 Fitting, Brs, Str, Pf02/Pm06, 3-101
 Fitting, Brs, Str, Pm02/Bm03, 2-45
 Fitting, Brs, Str, Pm02/Pm02, 4-17
 Fitting, Brs, Str, Pm04/Pm04, 2-31
 Fitting, Brs, Str, Pm04/Pm06, 2-31
 Fitting, Brs, Tee, Pf04/Pf04/Pm04, 2-31
 Fitting, Brs, Tee, Pf04/Pm04/Pf04, 2-31
 Fitting, Brs, Tee, Pf02/Pf02/Pm02, Run, 3-101
 Fitting, Brs, Tee, Pm04/Pf04/Pf04, Run, 2-37
 Fitting, Coupler, Hose, Shank, Fem, 3-107, 3-109, 3-111, 3-113
 Fitting, Elbow, 3-121
 Fitting, Grease, E90 Pm04 .75L, 3-45, 3-59, 3-77
 Fitting, Grease, 2-23
 Fitting, Hose, Barbed, .25npt Mal, 3-121
 Fitting, Hyd, E90, Jm06/Om06, 3-27
 Fitting, Hyd, Str, Jm04/Om06, 3-27
 Fitting, Hyd, Str, Jm04/Om10, 3-27
 Fitting, Hyd, Str, Jm06/Om06, 3-27
 Fitting, Hyd, Tee, Jm06/Om06/Jm06, 3-27
 Fitting, Nyl, Qdc, E90, Bm06/ Qm10, 2-37
 Fitting, Nyl, Qdc, E90, Bm08/ Qm10, 2-37
 Fitting, Plstc, [90 Bm03/Pm02], 2-41
 Fitting, Plstc, Bkhd, Pf12/Pf12, 2-43
 Fitting, Plstc, Bkhd, Pf16/Pf16, 2-29
 Fitting, Plstc, Cap, Pf04, 2-33
 Fitting, Plstc, Cap, Pf08, 2-53, 2-55, 3-47
 Fitting, Plstc, E45, Pf12/Pf12, 3-95
 Fitting, Plstc, E90, 06bm/06bm, 3-117
 Fitting, Plstc, E90, 16bm/16pm, 2-29
 Fitting, Plstc, E90, Bm04/Pm04 Nyl, 2-33
 Fitting, Plstc, E90, Bm05/Pm02, Nyl, 4-17
 Fitting, Plstc, E90, Bm06/Pm04, Nyl, 2-37
 Fitting, Plstc, E90, Bm08/Bm08, 2-53, 2-55, 3-47, 3-49
 Fitting, Plstc, E90, Bm08/Pm04 Nyl, 2-31
 Fitting, Plstc, E90, Bm08/Pm04, 3-123
 Fitting, Plstc, E90, Bm08/Pm06, 2-35, 2-37, 3-65, 3-83, 3-101
 Fitting, Plstc, E90, Bm08/Pm08, 3-95
 Fitting, Plstc, E90, Bm08/Pm12, Nyl, 2-35
 Fitting, Plstc, E90, Bm10/Pm12, 3-95

Fitting, Plstc, E90, Bm12/Bm12, 2-53, 2-55, 3-47, 3-49, 3-63, 3-65, 3-81, 3-83
 Fitting, Plstc, E90, Bm12/Pf12, 3-97
 Fitting, Plstc, E90, Bm12/Pm08, 3-47, 3-95
 Fitting, Plstc, E90, Bm12/Pm12, 3-95, 3-97
 Fitting, Plstc, E90, Pf08/Pf08, 3-65, 3-83
 Fitting, Plstc, E90, Pm12/Pf12, 2-29
 Fitting, Plstc, Pipe, Cap, Pf04, 2-37
 Fitting, Plstc, Plug, Pm12, 2-29, 2-43, 3-95
 Fitting, Plstc, Plug, PM16, 2-29
 Fitting, Plstc, Rst, .50od/.31id, 3-47, 3-49
 Fitting, Plstc, Str, 08pmxgarden, 3-97
 Fitting, Plstc, Str, Bm04, Cplg, Fem, 2-37
 Fitting, Plstc, Str, Bm04/Bm08, 2-33, 3-101
 Fitting, Plstc, Str, Bm05/Pm04, 3-101
 Fitting, Plstc, Str, Bm06/Bm06, 3-117
 Fitting, Plstc, Str, Bm06/Pm02, Nyl, 3-101, 4-17
 Fitting, Plstc, Str, Bm06/Pm04, 2-37
 Fitting, Plstc, Str, Bm06/Pm12, 3-117
 Fitting, Plstc, Str, Bm08/Bm08, 2-53, 2-55, 3-47, 3-49
 Fitting, Plstc, Str, Bm08/Pm04 (ec-H2O), 3-49, 3-65, 3-83
 Fitting, Plstc, Str, Bm08/Pm04 (FaST), 2-55
 Fitting, Plstc, Str, Bm08/Pm04, 3-123
 Fitting, Plstc, Str, Bm08/Pm06, 2-35, 2-37, 3-101
 Fitting, Plstc, Str, Bm08/Pm08, 2-53, 2-55, 3-47, 3-65, 3-83
 Fitting, Plstc, Str, Bm08/Pm12, 2-35, 2-37, 3-101, 3-123
 Fitting, Plstc, Str, Bm10/Bm10, 2-53, 2-55
 Fitting, Plstc, Str, Bm12/Pm08, Nyl, 3-65, 3-83
 Fitting, Plstc, Str, Bm12/Pm08, 3-95
 Fitting, Plstc, Str, Bm12/Pm12, 2-29, 3-95
 Fitting, Plstc, Str, Bm24/Bm32, 3-119, 3-127
 Fitting, Plstc, Str, Pm04, Cplg, Mal, 2-37
 Fitting, Plstc, Str, Pm08/Pm08, 3-95
 Fitting, Plstc, Str, Pm12/Bm16, 2-29
 Fitting, Plstc, Str, Pm12/Pm12, 2-29, 3-95
 Fitting, Plstc, Str, Pm16/Pm16 Close, 2-29
 Fitting, Plstc, Tee, Bm04/Bm04/Bm04, 2-37
 Fitting, Plstc, Tee, Bm05/Bm05/Pm04, 3-101
 Fitting, Plstc, Tee, Bm06/Bm06/Bm06, 3-101
 Fitting, Plstc, Tee, Bm08/Pm04/Bm08 Nyl, 2-31, 2-33
 Fitting, Plstc, Tee, Bm10/Bm10/Bm10, 2-53
 Fitting, Plstc, Tee, Bm12/Bm12/Bm12, 3-63, 3-81
 Fitting, Plstc, Tee, Bm16/Pf12/Bm16, 2-29
 Fitting, Plstc, Tee, Pf08/Pf08/Pf08, 3-95
 Fitting, Plstc, Tee, Pf12/Pf12/Pf12, 2-29
 Fitting, Plstc, Y, Bm06/Bm06/Bm06, Nyl, 3-101

Fitting, Plstc, Y, Bm08/Bm08/Bm08 Nyl, 3-65, 3-83
 Fitting, Plstc, Y, Bm08/Bm08/Bm08, Nyl, 2-37
 Fitting, Qm, Male, 3-95
 Fitting, Quick Disconnect, 3-119
 Flange, 4-14
 Flasher, 12/48vdc 5a #6309/12-48vdc, 3-13, 3-15
 Frame Assy, Sqge, Side, Vacuum, Rh, 3-55
 Frame Wldt, Main, Iron Gray [7300/8300], 2-9
 Frame Wldt, Scb Head, 2 Brush, Ele, Gray, 2-49
 Frame Wldt, Scb Head, 3 Brush, Ele, Gray, 3-43
 Frame Wldt, Sqge 48.0l, 3-129, 3-131
 Frame Wldt, Sqge, Iron Gray, 2-67, 2-69, 3-133, 3-135
 Frame Wldt, Sqge, Side, Lh, 2-61, 3-57, 3-71, 3-89
 Frame Wldt, Sqge, Side, Rh, 2-59, 3-53, 3-69, 3-87
 Frame, 2-9
 Fuse, .20A, 3Ag, Slo-Blo, 2-81
 Fuse, 010A 032Vdc 0.25D, 3-35
 Fuse, 150amp, 2-73, 2-75

G

Gasket, .19, 2.00ld 5.38OD [BUNA], 3-107, 3-109, 3-111, 3-113
 Gasket, .19, 4.05id 5.29od [Buna], 2-29, 2-43, 3-99, 3-117
 Gasket, Cap, Drain, 2-2, 2-3, 2-43, 3-99
 Gasket, Cap, Dust, 3-107, 3-109, 3-111, 3-113
 Gasket, Cap, 2-43, 3-99
 Gasket, Celr Ure, .50, 05.94w 08.88l, Adh, 2-29
 Gasket, Cover, Controller, 2-71
 Gasket, Cover, 3-61, 3-79
 Gasket, Foam, 3-75, 3-93
 Gasket, Lid, 2-43, 3-99
 Gasket, Mtg, Fan, 2-2, 2-3, 2-45
 Gasket, Sqge, 2-67, 2-69, 3-129, 3-131, 3-133, 3-135
 Gasket, Tank, Recovery, 2-2, 2-3, 2-41
 Gasket, Ure, .50, 12.65w 18.89l, Adh, 2-41
 Gasket, 2-81
 Gasspring, 56lb, 6.3strk, 2-57, 3-51, 3-67, 3-85
 Gear, Drive, 2-23
 Gearbox, 90, Drive Wheel, Rear, [Hu], 2-23
 Gearbox, Motor, 4-8, 4-9, 4-10
 Geroler S/A, 4-14
 Geroter, 4-15
 Grommet, Blind, 3-101, 4-17
 Grommet, Level Sensing 1.6 D 9.6L, 2-29
 Grommet, Pye, 0.37id, F/ 1.5h, .13matl, 3-117

CROSS REFERENCE

- Grommet, Rbr, 0.38id, F/ 0.5h, .12matl, 3-5, 3-7, 3-9, 3-11, 3-13, 3-15
Grommet, Rbr, 0.50id, F/ 0.8h, .12matl, 2-71
Grommet, Rbr, 0.89id, F/ 1.2h, .14matl, 2-21
Grommet, Rbr, 1.00id, F/ 1.4h, .12matl, 2-71
Grommet, Rbr, 1.0b, 2-71, 2-81
Grommet, Rbr, 1.50id, F/ 1.8h, .31matl, 2-15, 2-25
Grommet, Rbr, 2.13id, F/ 2.5h, .12 Matl, 2-33
Grommet, Ribbon Cable, .63 X 1.81, 2-15
Grommet, 3-121
Guard Kit, Sqge, Rear, Ci [7300/8300], 3-45, 3-77
Guard Kit, Sqge, Rear, Iron Gray, Ci, 3-45, 3-77
Guard Wldt, Lh, Iron Gray, 3-71, 3-89
Guard Wldt, Lh, 3-71, 3-89
Guard Wldt, Light, Revl/Flsh, Iron Gray, 3-7
Guard Wldt, Light, Revl/Flsh, 3-5, 3-9, 3-11
Guard Wldt, Oprtr, Top, Iron Gray, 3-21
Guard Wldt, Oprtr, Top, 3-19
Guard Wldt, Rh, [Mp1200], 3-87
Guard Wldt, Rh, Iron Gray, 3-69, 3-87
Guard Wldt, Sqge (MP 20), 3-45, 3-77
Guard Wldt, Sqge, Rear, Gray, 3-45, 3-77
Guard, Brush, Side, 3-31, 3-37
Guard, Bumper, 3-45, 3-77
Guard, Kick In, Scb Head, Iron Gray, 2-51, 3-45, 3-59, 3-77
Guard, Kick In, Scb Head, 2-51, 3-45, 3-59, 3-77
Guard, Light, 3-13, 3-15
Guide, Point, Side Sqge, 2-59, 2-61, 3-53, 3-55, 3-57, 3-69, 3-71, 3-87, 3-89
- H**
- Handle Wldt, Steering, Tilt, 2-17, 3-27
Handle, Wand, 3-121
Handle, 2-29
Harness [Fast 7300/8300], 2-103
Harness [FaST II+ 7300/8300], 2-104
Harness, Backup Alarm, Shrd, 3-13, 3-15
Harness, Battery, Connecting, 2-77, 2-79
Harness, Battery, Rollout [7300/8300], 3-139
Harness, Fast, 7300/8300, 2-103
Harness, Jumper, Arm, 2-102
Harness, Light, Revl, Shrd, 3-5, 3-7
Harness, Main, 7300, 8300, 2-102
Harness, Main, Controlboard[Ec-H2o 5cell], 4-17
Harness, Power Wand, [7300/8300], 3-125
Harness, Rear [FaST 7300/8300], 2-104
Harness, Rear, [Fast 7300/8300], 2-103
Harness, Sensor, Jumper, 2-41, 3-97
Harness, Switch, Key, Diode, 2-75
Harness, Warning Light, Alarm, 3-9, 3-11
Harness, Wire [7300 Ec-H2o, Module], 3-104
Harness, Wire [7300, Ec-H2o Interface], 3-104
Harness, Wire, Jumper, Reverse Switch, 3-13
Harness, Wire, Jumper, Seat Switch, 2-102
Head Kit, Pump, Water, Repair, 4-18
Head, Wand, 3-121
Headlight, 36vdc, 15cp 0.7a [#0534242], 2-2
Headlight, 36vdc, 15cp, 0.7a, 2-9
Headlight, 36Vdc, 60 Watt 1.7A, 3-13, 3-15
Hinge Assy, Iron Gray, 2-13
Hinge Assy, 2-13
Hinge Wldt, W/ Pin, Iron Gray, 2-13
Hinge Wldt, W/ Pin, 2-13
Hinge, .38pin .11 3.5w 04.0l 4/0.38slot, 2-11
Hook Wldt, Latch, 3-61, 3-79
Horn, 36vdc, Dba, 2-9
Hose Assembly, 3-119
Hose Assy, Drain, 2-43, 3-99
Hose Assy, Pvc, W/ Cuff, 1.5d, 90.0l, 3-127
Hose Assy, W/1cuff, 1.5d 120l 1.5/, 3-107, 3-109, 3-111, 3-113
Hose Assy, W/2 Cuff, 1.0d 41.0l, 2-3, 3-55
Hose Assy, W/2 Cuff, 1.0D 44L 1.0/1.0, 3-55
Hose Assy, W/2cuff, 1.0d, 23l, 3-75, 3-93
Hose Assy, W/2cuff, 1.0d, 41l, 3-75, 3-93
Hose Assy, W/2cuff, 2.0d 26l, 3-55, 3-75, 3-93
Hose Assy, W/2cuff, 2.0d 75l, 3-55, 3-75, 3-93
Hose, Afmkt Replmt, Pvc, Brd 0.50id 1 Ft, 2-31, 2-33, 2-35, 3-65, 3-83
Hose, Afmkt Replmt, Pvc, Brd 0.50id 2 Ft, 2-31, 3-49, 3-65, 3-83
Hose, Afmkt Replmt, Pvc, Brd 0.50id 20ft, 2-35
Hose, Afmkt Replmt, Pvc, Brd 0.50id 3 Ft, 3-49
Hose, Afmkt, Pvc, Brd 0.50id 1ft, 2-55
Hose, Afmkt, Pvc, Brd 0.50id 2ft, 2-53
Hose, Afmkt, Pvc, Brd 0.75id 1 Ft, 3-49, 3-65, 3-83
Hose, Afmkt, Pvc, Brd 0.75id 8 Ft, 3-49, 3-65, 3-83
Hose, Afmkt, Pvc, Brd, 0.25id, 03ft, 3-101
Hose, Afmkt, Pvc, Brd, 0.38id, 01ft, Clr, 4-17
Hose, Afmkt, Pvc, Brd, 0.38id, 03ft, Clr, 2-37
Hose, Afmkt, Pvc, Brd, 0.38id, 08ft, Clr, 3-101
Hose, Afmkt, Pvc, Brd, 0.50id, 01ft, Clr, 2-37
Hose, Afmkt, Pvc, Brd, 0.50id, 02ft, Clr, 2-37
Hose, Afmkt, Pvc, Brd, 0.50id, 08ft, Clr, 3-101
Hose, Afmkt, Pvc, Brd, 0.75id 8 Ft, 2-55
Hose, Afmkt, Pvc, Clr 0.25id 1 Ft, 2-33
Hose, Afmkt, Pvc, Clr 0.25id 2 Ft, 2-33
Hose, Afmkt, Pvc, Clr, 0.25id, 02ft, 2-37
Hose, Hyd, Tc 06, Jf Str/E90 , 48.0l, 3-28
Hose, Hyd, Tc 04, Jf04str /Jf04e90 , 30.0, 3-28
Hose, Pvc, Brd, 0.31id 0.53od, 2ft, Clr, 4-17
Hose, Pvc, Brd, 0.38id 0.60od 15.00l, 3-117
Hose, Pvc, Brd, 0.38id 0.60od 66.00l, 3-117
Hose, Pvc, Brd, 0.50id 0.73od 33.00l, 3-47
Hose, Pvc, Brd, 0.50id 0.75od 14.00l, 3-47
Hose, Pvc, Brd, 0.50id 0.80od 18.00l, 3-47
Hose, Pvc, Brd, 0.62id 0.91od 10.30l, 2-53
Hose, Pvc, Brd, 0.75ID 1.00OD 02.00L, 3-63
Hose, Pvc, Brd, 0.75id 1.00od 02.00l, 3-47
Hose, Pvc, Brd, 0.75id 1.00od 19.00l, 3-95
Hose, Pvc, Brd, 0.75id 1.00od 2.00l, 3-81
Hose, Pvc, Brd, 0.75id 1.00od 26.00l, 3-95
Hose, Pvc, Brd, 0.75id 1.00od 44.50l, 3-47, 3-63, 3-81
Hose, Pvc, Brd, 0.75id 1.03od 01.50l, 3-63, 3-81
Hose, Pvc, Brd, 0.75id 1.03od 02.00l, 2-53, 2-55
Hose, Pvc, Brd, 0.75ID 1.03OD 05.00L, 3-63
Hose, Pvc, Brd, 0.75id 1.03od 05.00l, 3-81
Hose, Pvc, Brd, 0.75id 1.03od 11.00l, 3-63, 3-81
Hose, Pvc, Brd, 0.75id 1.03od 44.50l, 2-53, 2-55
Hose, Pvc, Clr, 0.50id 0.69od 50.00l, 3-97
Hose, Pvc, Wir, 0.50id 0.74od 47.00l, 3-123
Hose, Pvc, Wir, 0.50id 0.75od 15.50l, 3-123
Hose, Vacuum, 0.16id X 05.0l, 2-41, 2-45, 3-97
Hose, Vacuum, 35.0l, 2-3, 3-55, 3-75, 3-93
Hose, Vacuum, 58.5l, 2-3, 3-55, 3-75, 3-93
Hose, Vacuum, 89.0l, 2-41
Hose, Vacuum, 91.0l, 2-2, 2-3
Hose, Vacuum, 2-2, 2-3, 2-45, 3-119
Hose, Vyl, Brd .38id .60od 45.0l, 3-117
Hose, Vyl, Brd, .62id 55.0l, 3-97
Hose, Vyl, Brd, .75id 28.0l, 3-97
Hose, Wand, 3-121
Hose, Water, 1.0id 2.25l, 2-29

Hose, Water, 1.0id 4.5l, 2-29
 Hose, Water, Vyl, Brd, .75ld 14.0L, 3-95
 Hose, 3-119
 Housing Wldt, Brg, Iron Gray, 2-17
 Housing Wldt, Brush, Iron Gray, 3-35,
 3-41, 3-59, 3-77
 Housing Wldt, Brush, Side, Iron Gray,
 3-33, 3-39
 Housing Wldt, Brush, 3-35, 3-41
 Housing, Bottom, 4-17
 Housing, Cplg, Qf / Pm08 (ec-H2O), 2-55
 Housing, Cplg, Qf / Pm08 (FaST), 3-49,
 3-65, 3-83
 Housing, Cplg, Qf / Pm08, 2-37, 3-101
 Housing, 4-3, 4-5, 4-14
 Hub Wldt, Drive, Brush, Iron Gray, 3-61,
 3-79
 Hub, Drive, Brush, Disk, 0.75B 6T, 2-49,
 3-43
 Hub, Drive, Brush, Disk, 3 Hole 5.8Bc, 2-7

I

Insert, Cplg, Qm, Bm08, 2-37, 3-101
 Instruction, Repair, Valve, Strg, 4-15
 Instruction, Repair, 4-14
 Insulator, Panel & Switchboard, 2-75
 Insulator, Panel, 2-73

J

Joint, U, 0.75ld, 2-17

K

Key Square 0.25 0.25 01.00 Lg, 4-10
 Key Square 0.25 X 0.25, 01.00L, 4-8, 4-9
 Key, Ignition, 2-15
 Key, Sq, 0.19 X 0.19, 00.75l, 3-61, 3-79
 Key, Sq, 0.19 X 0.19, 01.00l, 2-17, 3-61,
 3-79
 Key, Sq, 0.19 X 0.19, 01.25L, 4-7
 Key, Sq, 0.19 X 0.19, 01.25l, 3-61, 3-79
 Key, Woodruff, 0.16 0.62, 4-6
 Key, Woodruff, 0.19 0.75, [Asa#0606], 2-17
 Kit, Brake, 2-2, 2-3
 Kit, Brush, Motor, Ele, 3-31, 3-37
 Kit, Cap, Drain, 2-43, 3-99
 Kit, Cl, Alarm, Backup, 36Vdc, 3-13
 Kit, Ci, Battery, 36vdc, 380ah, Wet, 3-143
 Kit, Ci, Battery, 36vdc, 600ah, Sealed,
 3-147
 Kit, Ci, Battery, 36vdc, 750ah, Wet, 3-151
 Kit, Ci, Battery, Rollout, 3-139
 Kit, Ci, Bumper, Rear, 3-16, 3-17
 Kit, Ci, Detgt Metering, 3-117
 Kit, Ci, Drain, Soltn, Pos Cntrl, Soltn, 3-111
 Kit, Ci, Drain, Soltn, Pos, Cntrl, Recvy,
 3-107
 Kit, Cl, Extinguisher, Fire, [7300/8300],
 3-161
 Kit, Ci, Fork Lift, Battery, 3-141

Kit, Ci, Indicator, Low Water Level, 3-115
 Kit, Cl, Light, Revl W/ Ohg, 3-11
 Kit, Cl, Light, Revl W/O OHG, 3-5
 Kit, Ci, Ohg, [7300/8300], 3-19
 Kit, Ci, Seat, Suspension, 3-25
 Kit, Ci, Seatbelt, 3-23
 Kit, Cl, Squeegee, Rear (Max Pro 1000),
 2-67
 Kit, Cl, Squeegee, Rear (Max Prot 1000),
 3-133
 Kit, Cl, Squeegee, Rear [Max Pro 1200],
 3-129
 Kit, Ci, Vacuum Wand, [7300/8300], 3-127
 Kit, Cover, Recvy, W/Gasket, 2-41
 Kit, Drain Hose, Solution Side, 3-99
 Kit, Fitting, Garden Hose, 3-95
 Kit, Maint, 800hr
 [7300-Mp1200-Disk-Vac], 2-3
 Kit, Maint, 800hr, [7300-Mp1000-Cyl], 2-3
 Kit, Maint, 800hr, [7300-Mp1000-Disk],
 2-2
 Kit, Maint, 800hr, [7300-Mp1200-Cyl], 2-3
 Kit, Maint, 800hr, [7300-Mp1200-Disk],
 2-2
 Kit, Modif, Ftg Location, [Discvac], 2-3
 Kit, Replmt, Bracket, F/386211, 2-11
 Kit, Replmt, Press Switch/34" Tube, 2-29,
 3-115
 Kit, Seal, Hyd, Valve, Strg, 4-15
 Kit, Seal, Motor, 4-14
 Kit, Seal, Scu, 3-27
 Kit, Seal, 4-13
 Kit, Spring, Valve, Strg, 4-15
 Kit, Switch, Micro, 3-13
 Kit, Valve, Check, 2-29
 Kit, Wand, Power [5400], 3-121
 Knob, 0.50-20, 1.38d, Plstc, 2-39
 Knob, 4-Prong W/.31-18, Insert, 3-129,
 3-131, 3-133, 3-135
 Knob, 4-Prong W/.31-18, Insert, 2-67,
 2-69
 Knob, Adj, 2-63
 Knob, Plastic, 3-33, 3-39
 Knob, 2-17, 2-63

L

Label [User, Attention, Ec-H2o], 3-103
 Label Set, Info & Hzd, 2-105
 Label Set, Info/Hzrd, [Max Pro], 3-59, 3-77
 Label Set, Info/Hzrd, [Maxpro], 2-49, 3-43
 Label Set, Operational, 7300/8300, 2-105
 Label Set, Opertnl [7300 ec-H2O], 3-103
 Label, Attention Fast Users, 2-29
 Label, Brush, Side, Adj, 3-35, 3-41
 Label, Direction [Ec-H2o], 4-17
 Label, Fast, 2-82
 Label, Front [Ec-H2o, T15], 3-103
 Label, Logo, Bl-Gr [FaST], 2-105
 Label, Module [Nsf, Ec-H2o], 4-17
 Label, Sqge, 2-105
 Label, Switch [7300/8300 FaST], 2-83
 Label, Switch, Fast, 2-82

Label, Tank [ec-H2O], 2-105, 3-103
 Label, Tank [ES], 2-105
 Label, Tank, Bl-Gr [7300], 2-105
 Lamp, 40vdc, 0.9a, [50cp#1062], 3-5,
 3-7, 3-9, 3-11
 Lamp, 36vdc, 32cp, .72a, 2-9
 Lamp, 2-9
 Lampholder, 2-9
 Latch, Double Scrub, Side Sqge, 2-59,
 2-61, 3-53, 3-57
 Latch, Handle, 3-139
 Latch, Trigger, 2-11
 Latch, 2-13, 3-61, 3-69, 3-71, 3-79, 3-87,
 3-89
 Lens, Amber, Light, Revl, 3-5, 3-7, 3-9,
 3-11
 Lens, Rev. Light, Blue, 3-5, 3-7, 3-9, 3-11
 Lens, Rev. Light, Red, 3-5, 3-7, 3-9, 3-11
 Lever Wldt, Iron Gray, 2-25
 Lever, Valve, Water, Iron Gray, 2-39
 Light Kit, Revl, W/ Ohg, Ci [7300/8300],
 3-9
 Light Kit, Revl, W/O Ohg, Iron Gray, Ci,
 3-7
 Light, Led, .312d, 2 Volt [Tri-Color], 3-103
 Light, Revl, 36vdc, Amb, Rework 44684,
 3-5, 3-7, 3-9, 3-11
 Light, Spot, 36vdc, 60w Rework 72173,
 3-13, 3-15
 Link Assy, Rod-End, .63-18, 2-51, 3-45,
 3-59, 3-77
 Link Wldt, Head, Drag (Replaced by
 9005751), 3-45, 3-59, 3-77
 Link, .38 1.0w 07.5l 2/1.5h, 2-51
 Link, Chain, Roller, #40, 2-17, 3-27
 Link, Lift, Squeegee (Replaced by
 9005752), 2-51
 Lock, Secondary, 2cav, Mp280 Sealed,
 4-18

M

Manifold, Plastic, 3-47
 Manifold, Soltn, Cntrl, 2-53, 2-55, 3-47,
 3-49
 Manual Pkg, (7300 Ele Na), 3-162
 Manual, Fiche, (7300 Ele), 3-162
 Manual, Oprtr, (7300 Ele Es Na), 3-162
 Manual, Oprtr, (7300 Ele Fr Na), 3-162
 Manual, Service, (7300 Ele Na), 3-162
 Media, Cd-Rom, Training [ec-H2O
 TENNANT], 3-162
 Module Kit, Replmt [ec-H2O] (See
 Breakdowns), 3-101
 Module Kit, Replmt [Ec-H2o], 4-17
 Motor, Ele, 36 Vdc 1500 Rpm 1.5 Hp, 4-7
 Motor, Ele, 36Vdc 0.08Hp 0068Rpm
 04.5A, 3-31, 3-37
 Motor, Ele, 36vdc 1.00hp 0300rpm, Gear
 (Standard) (See Breakdown), 2-49
 Motor, Ele, 36vdc 1.50hp 0300rpm, Gear
 (Heavy Duty) (See Breakdown), 2-49

CROSS REFERENCE

Motor, Ele, 36vdc 1.50hp 1500rpm 43.0a,
3-61, 3-79
Motor, Ele, 36vdc 1500rpm 1.5hp (See
Breakdown) (Repl By 377398), 3-61
Motor, Ele, 36vdc 1500rpm 1.5hp (See
Breakdown) (Repl By 377398AM),
3-79
Motor, Ele, Vdc 3.0hp Traction,[201] (See
Breakdown), 2-23
Motor, Elect, 4-13
Motor, Gear, 1.0Hp 36V, 4-10
Motor, Gear, Ele, 1.0hp, 36vdc, 300rpm
(See Breakdown), 3-43
Motor, Gear, Ele, 1.5hp, 36vdc, 300rpm
(Heavy Duty) (See Breakdown)
(Replaced by 387585AM), 2-49
Motor, Gear, Ele, 1.5Hp, 36Vdc, 300Rpm,
4-8, 4-9
Motor, Hyd (See Breakdowns), 3-27
Motor, Hyd, 4-14
Motor, traction 36v, 4-6
Motor, 4-11
Mount, Cable Tie, 3-35, 3-41

N

Nozzle, Spray, 3-121
Nozzle, Wand, Plstc, 14.0lg, 3-127
Nozzle, Water, 3-97
Nut, Hex, Cplg, M08X1.25, 2-75
Nut, Hex, Flng, .38-16, 2-59, 3-53
Nut, Hex, Flng, M06 X 1.0, 2-73, 2-75,
3-13, 3-15
Nut, Hex, Flng, M08 X 1.25, 2-9, 3-5, 3-7,
3-9, 3-11, 3-31, 3-35, 3-37, 3-41
Nut, Hex, Flng, M10 X 1.5, 2-63, 3-107,
3-109, 3-111, 3-113
Nut, Hex, Flng, M5 X 0.8, 2-82
Nut, Hex, Flng, M5 X 0.80, 3-101
Nut, Hex, Jam, .62-18, Ss, Lh, 3-59, 3-77
Nut, Hex, Jam, .62-18, Ss, 3-59, 3-77
Nut, Hex, Jam, M10 X 1.5, Ss, 2-63,
3-129, 3-131
Nut, Hex, Jam, M20 X 1.5, 3-27
Nut, Hex, Lock, .25-20, NI, 2-21
Nut, Hex, Lock, .25-28, NI, 2-21
Nut, Hex, Lock, .31-18, NI, Thin, 3-139
Nut, Hex, Lock, .31-18, NI, 2-19, 3-25
Nut, Hex, Lock, .44-20, NI, Thin, 2-39
Nut, Hex, Lock, .50-13, NI, Ss, 2-63
Nut, Hex, Lock, .62-18, NI, Thin, 2-51,
3-45, 3-59, 3-77
Nut, Hex, Lock, #06-32, NI, 3-35
Nut, Hex, Lock, M 4 X 0.7, NI Ss, 3-139
Nut, Hex, Lock, M 4 X 0.7, NI, 2-33
Nut, Hex, Lock, M 5 X 0.8, NI, 2-75
Nut, Hex, Lock, M 5 X 0.8, NI, Ss, 3-139
Nut, Hex, Lock, M 6 X 1.0, NI, 2-75, 2-82
Nut, Hex, Lock, M 8 X 1.25 NI, 2-79
Nut, Hex, Lock, M04 X 0.7, NI, Ss, 3-61,
3-79, 3-117
Nut, Hex, Lock, M04 X 0.7, NI, 2-13, 3-97,
3-125

Nut, Hex, Lock, M05 X 0.8, NI, 2-9
Nut, Hex, Lock, M05 X 0.8, NI, Ss, 2-43,
2-47, 3-59, 3-77, 3-99
Nut, Hex, Lock, M05 X 0.8, NI, 2-15, 2-73,
3-61, 3-79
Nut, Hex, Lock, M06 X 1.0, NI, Ss, 2-39,
2-51, 2-53, 2-55, 2-57, 2-59, 2-61,
2-65, 3-47, 3-49, 3-51, 3-53, 3-57,
3-63, 3-65, 3-67, 3-75, 3-81, 3-83,
3-85, 3-93, 3-95, 3-123, 3-139
Nut, Hex, Lock, M06 X 1.0, NI, 2-11, 2-15,
2-17, 2-21, 2-73, 3-13, 3-15
Nut, Hex, Lock, M08 X 1.25, NI, Ss, 2-25,
2-29, 2-47, 2-49, 2-59, 2-61, 2-65,
2-67, 2-69, 3-43, 3-51, 3-53, 3-55,
3-57, 3-59, 3-77, 3-85, 3-97, 3-117,
3-123, 3-129, 3-131, 3-133, 3-135,
3-139, 3-141, 3-147, 3-149
Nut, Hex, Lock, M08 X 1.25, NI, 2-9, 2-11,
2-17, 2-21, 2-23, 2-25, 2-39, 2-71,
2-77, 3-27, 3-31, 3-37, 3-63, 3-65,
3-81, 3-83
Nut, Hex, Lock, M08-1.25, NI, Ss, 3-143
Nut, Hex, Lock, M10 X 1.5, NI, SS, 3-61,
3-79
Nut, Hex, Lock, M10 X 1.5, NI, Ss, 2-49,
2-63, 2-65, 3-16, 3-17, 3-43, 3-45,
3-77
Nut, Hex, Lock, M10 X 1.5, NI, 2-21, 3-19,
3-21, 3-23, 3-35, 3-41
Nut, Hex, Lock, M12 X 1.75, NI, 3-31
Nut, Hex, Lock, M12 X 1.75, NI, Ss, 2-67,
2-69, 3-69, 3-71, 3-87, 3-89, 3-129,
3-131, 3-133, 3-135
Nut, Hex, Lock, M12 X 1.75, NI, 2-17, 2-27,
3-27, 3-37
Nut, Hex, Lock, M4 X 0.70, NI, Ss, 4-17
Nut, Hex, Lock, M5 X 0.80, NI, 2-37
Nut, Hex, Lock, M6X1.0, Ss, NI, 3-73, 3-91
Nut, Hex, Lock, M8 X 1.25, NI, Ss, 3-45,
3-77, 3-145, 3-151
Nut, Hex, Lock, M8 X 1.25, NI, 2-33, 3-101
Nut, Hex, Sltd, 1.00-20, 2-27
Nut, Hex, Std, .25-20, 2-73, 2-75
Nut, Hex, Std, .25-28, 2-21
Nut, Hex, Std, .31-24, 2-73, 2-75, 2-77,
2-79, 3-27, 3-35
Nut, Hex, Std, .38-16, Ss, 3-69, 3-87
Nut, Hex, Std, .50-20, 2-23
Nut, Hex, Std, #10-32, 2, 2-73, 2-75, 2-77,
2-79, 3-27, 3-35
Nut, Hex, Std, M06 X 1.0, 2-77
Nut, Hex, Std, M08 X 1.25, Ss, 2-59, 2-61,
3-53, 3-57, 3-69, 3-71, 3-87, 3-89
Nut, Hex, Std, M08 X 1.25, 2-77, 2-79
Nut, Hex, Std, M10 X 1.25, 3-33, 3-39
Nut, Hex, Std, M10 X 1.5, 2-21
Nut, Hex, Std, M12 X 2.0, 3-45
Nut, Retainer, .31-18, 2-57, 3-51, 3-67,
3-85
Nut, Thumb, M6 X 30mm Dia, 3-121
Nut, Wheel, M14-1.5, 2-23
Nut, 4-3, 4-5

O

Ohg Kit, Iron Gray, Ci [7300/8300], 3-21

P

Pad, Buff, 16.0d, Red, 2-7
Pad, Buff, 20.0d, Red, 2-5
Pad, Polish, 16.0d, White, 2-7
Pad, Polish, 20.0d, White, 2-5
Pad, Scrub, 16.0d, Blue, 2-7
Pad, Scrub, 20.0d, Blue, 2-5
Pad, Strip, 16.0d, Brown, 2-7
Pad, Strip, 20.0d, Brown, 2-5
Pad, Stripping, 16.0d[Hi Prod,Black, 2-7
Pad, Stripping, 20.0D[Hi Prod,Black, 2-5
Pad, Surf Prep, 16.0d [Mar, 1pick=1pad],
2-7
Pad, Surf Prep, 20.0D [Mar, 1Pick=1Pad],
2-5
Pad, 2-25
Panel Assy, Touch [7300], 2-15
Panel Wldt, Front W/ Label, 2-13
Panel, Instmt, 2-15
Panel, Motor, Cover W/ Label, 2-23
Panel, Motor, Cover, W/ Label, Teal, 2-23
Pedal Assy, Foot (Replaced by 1042524),
2-21
Pedal Assy, Propel, 36vdc, 2-21
Pedal Wldt, Accelerator, 2-21
Pedal, Brake, Parking, Iron Gray, 2-25
Pin Wldt, Front, 2-67, 2-69, 3-129, 3-131,
3-133, 3-135
Pin, Clevis, .625 Dia X 5.25l, 3-61, 3-79
Pin, Clevis, 0.19 D X 0.63l, 2-65
Pin, Clevis, 0.25 D X 2.44l, 2-65
Pin, Clevis, 0.25d X 2.00l, 2-67, 2-69,
3-129, 3-131, 3-133, 3-135
Pin, Clevis, 0.31 D X 0.75l, 2-27
Pin, Clevis, 0.31 D X 0.88l, 3-55
Pin, Clevis, 0.31 D X 1.00l, 2-25
Pin, Clevis, 0.31d 0.88l, 2-59, 2-61, 3-53,
3-57, 3-69, 3-71, 3-87, 3-89
Pin, Clevis, 0.37 D X 0.62l, 3-31, 3-37
Pin, Clevis, 0.37 D X 0.75l, 3-69, 3-71,
3-87, 3-89
Pin, Clevis, 0.37 D X 1.00l, 2-27, 2-59,
2-61, 3-53, 3-57
Pin, Clevis, 0.37 D X 1.31l, 2-51, 3-45,
3-59, 3-77
Pin, Clevis, 0.37 D X 1.50l, 2-59
Pin, Clevis, 0.37 D X 2.00l, 2-57, 3-51,
3-67, 3-85
Pin, Clevis, 0.37 D X 3.25l, 3-31, 3-37
Pin, Clevis, 0.37 D X 4.00l, 3-33, 3-39
Pin, Clevis, 0.38 D X 2.50l, 2-51, 3-45,
3-59, 3-77
Pin, Clevis, 0.50 D X 1.75l, 2-47
Pin, Clevis, 0.50 D X 1.87l, 2-57, 3-67
Pin, Clevis, 0.50 D X 2.00l, 2-65
Pin, Clevis, 0.50 D X 2.50l, 2-47, 2-51,
2-65, 3-45, 3-51, 3-59, 3-77
Pin, Clevis, 0.50 D X 3.50l, 2-21

Pin, Clevis, 0.50 D X 4.00l, 3-33, 3-39
 Pin, Clevis, 0.50 D X 5.50l, 2-47
 Pin, Clevis, 0.75 D X 6.50l, 2-9
 Pin, Cotter, .062 X 0.75, 2-13, 2-65, 2-67, 2-69, 3-129, 3-131, 3-133, 3-135
 Pin, Cotter, .094 X 0.75, 2-25, 2-27, 2-51, 2-57, 2-65, 3-31, 3-33, 3-37, 3-45, 3-51, 3-59, 3-67, 3-77, 3-85
 Pin, Cotter, .125 X 0.75, 2-51, 3-45, 3-59, 3-77
 Pin, Cotter, .125 X 1.00, 2-21, 2-47, 2-51, 2-57, 3-33, 3-39, 3-45, 3-51, 3-59, 3-67, 3-77
 Pin, Cotter, .156 X 1.25, 2-9
 Pin, Hair Cotter, 0.31 D .058 Wir, 3-69, 3-71, 3-87, 3-89
 Pin, Hair Cotter, 0.38 D .072 Wir, 2-59, 2-61, 3-53, 3-55, 3-57
 Pin, Hair Cotter, 0.62 D .120 Wir, 3-31, 3-37, 3-61, 3-79
 Pin, Hinge, Cover, 2-29
 Pin, Prong, 2-81
 Pin, Roll, .250 D X 0.75l, .250/.256, 2-59, 2-61, 3-53, 3-57, 3-69, 3-71, 3-87, 3-89
 Pin, Roll, .250 D X 1.50l, .250/.256, 2-27
 Pin, Roll, .250 D X 2.00l, .250/.256, 3-31, 3-37
 Pin, Roll, .310 D X 0.75l, .312/.318, 2-23
 Pin, Valve, Strg, 4-15
 Pin, 2-17, 2-67, 2-69, 3-129, 3-131, 3-133, 3-135, 4-15
 Piston, 4-11
 Pivot Wldt, Guard, 2-67, 3-129, 3-133
 Pivot Wldt, Sqge Caster, 2-63
 Plate Assy, Orifice, 0.010ld, Purple, 4-19
 Plate Wldt, Floor, 2-9
 Plate Wldt, Mtg, Idler, 2-17
 Plate Wldt, Pivot, Guard, Iron Gray, 2-69, 3-131, 3-135
 Plate Wldt, Stop, Iron Gray, 3-59, 3-77
 Plate, Adapter, Brush, 3-31, 3-37
 Plate, Controlbox, Iron Gray, 2-71
 Plate, Controlbox, 2-71
 Plate, Cover, Iron Gray, 2-9
 Plate, Cover, 2-9
 Plate, Floor, Iron Gray, 2-9
 Plate, Floor, Upper, Iron Gray, 2-9
 Plate, Floor, Upper, 2-9
 Plate, Floor, 2-9
 Plate, Hinge, Iron Gray, 2-13
 Plate, Hinge, 2-13
 Plate, Iron Gray, 2-13, 3-31, 3-37
 Plate, Mtg, Contactor, Iron Gray, 3-27, 3-35
 Plate, Mtg, Contactor, 3-27, 3-35
 Plate, Mtg, Hyd, Iron Gray, 3-27
 Plate, Mtg, Tank, Detgt, Iron Gray, 3-117
 Plate, Orifice, 0.067ld, 2-31
 Plate, Orifice, 0.086ld, 2-31
 Plate, Seat, Iron Gray, 2-19
 Plate, Slide, 2-65, 3-129, 3-131
 Plate, Stop, 2-25
 Plate, Wand, Clean-Out, Iron Gray, 3-97

Plate, Wear, 4-15
 Plate, 2-13
 Plug, Cap, 2-29, 2-41
 Plug, Drive, Brush, Spl, Iron Gray, 3-61, 3-79
 Plug, Drive, Brush, Splined, 3-79
 Plug, Hole, Rnd, 0.44h .03-.12, Blk Nyl, 3-95
 Plug, Hole, Rt, Rocker Switch, .87 X 1.7, 3-95
 Plug, Orifice, 0.052, Ss [FaST II+], 4-19
 Plug, Qm, .25npt, 3-121
 Plug, Rbr, 2-71, 2-81
 Plug, Resistor, 2-103
 Plug, 2-23, 3-121
 Powerunit, Hyd, 36vdc (See Breakdowns), 3-27
 Powerunit, Hyd, 36Vdc, 4-13
 Pump Assy, Power Wand (See Breakdown), 3-123
 Pump Assy, 4-13
 Pump kit, power wand, 4-11
 Pump screw, 4-11
 Pump, Air, Ele, 36vdc, 2-33
 Pump, Detgt, 36vdc (See Breakdown), 3-117
 Pump, Detgt, 560s, 2-33
 Pump, Metering Solution, 4-12
 Pump, Soltn, 36vdc, 65psi [Fast li+], 2-37
 Pump, Soltn, Ele, 36vdc (See Breakdowns), 3-101
 Pump, Soltn, Ele, 36vdc, 2-31, 4-18
 Pump, Solution, Impeller, 36vdc, 3-95

R

Race Thrust, 4-14
 Rail Wldt, Lift, Cyl Head, Iron Gray, 3-67, 3-85
 Rail Wldt, Lift, Disk Head, Iron Gray, 2-57, 3-51
 Rail, 2-19
 Relay, 36vdc, 5a, Spdt, [Greenwich], 3-13, 3-15
 Relay, 36vdc, 05a, Spdt N/O [Greenwich], 2-82
 Relay, 36Vdc, 005A, Spdt No [Greenwich], 2-83
 Relay, 36vdc, 100a, Sp N/O [White], 2-75, 3-35
 Replacement Kit, Bellows, 4-12
 Reservoir, 4-13
 Resistor, 040.00 Ohm, 40watt, 2-75
 Resistor, 040.00ohm, 40watt, 2-73
 Resistor, 011.00 Ohm, 0040Watt [5%], 3-101
 Retainer, Blade, Front, 3-55
 Retainer, Brg, Iron Gray, 3-61, 3-79
 Retainer, Spring, 2-21
 Retainer, Sqge, 2-59, 2-61, 3-53, 3-55, 3-57, 3-69, 3-71, 3-87, 3-89
 Return Spring-Brakes, 2-27
 Ring, Brush, 4-7

Ring, Mtg, Sqge, .50l, 2-67, 2-69, 3-129, 3-131, 3-133, 3-135
 Ring, Retainer, Valve, Strg, 4-15
 Ring, Retaining, Ext, 0.59d, Basic, 2-63
 Ring, Retaining, Ext, 0.75d, Hd, 3-61, 3-79
 Ring, Retaining, Ext, 0.75d, Ss, 2-43, 3-99
 Ring, Retaining, Ext, 2-67, 2-69, 3-129, 3-131, 3-133, 3-135
 Ring, Retaining, Int, 1.85d, Basic, 3-61, 3-79
 Rivet, Plstc, .25 D X 0.75, 2-9
 Rivet, Plstc, .250 X 0.898, 2-49, 3-43, 3-125, 3-127
 Rivet, Pop, 3-121
 Rod Wldt, 2-39
 Rod, Link, 3-59, 3-77
 Rod, Rear Door, 2-13
 Rod, Thrd, 2 End M10x1.5 07.4, 2-63
 Rod, Thrd, 2 End, .25-28 04.4l, 2-21
 Rod, Thrd, Full, .25-20 01.5l, 2-73, 2-75
 Rod, Threaded, 2-27
 Rod-End, .62-18rh Fem 0.50-18stud, 3-59, 3-77
 Rod-End, .625-18, Lh, 3-59, 3-77
 Rod-End, M10 X 1.5rh Fem M10 X 1.5stud, 2-63
 Rod, 2-13
 Roller, 2-51, 2-57, 3-45, 3-51, 3-59, 3-67, 3-77, 3-85

S

Screen Wldt, 3-75, 3-93
 Screen, 50 Mesh, Ss, 2-31
 Screen, Filter, 80 Mesh, 2-35
 Screen, Pump, 3-117
 Screw, Adjuster, 4-13
 Screw, Btn, M08 X 1.25 X 25, Ss, 3-35, 3-41
 Screw, Cap, 4-15
 Screw, Flat, M06 X 1.0 X 20, 10.9, 2-15
 Screw, Flt, #06-32 X 0.38, Al, 3-35
 Screw, Flt, M10 X 1.5 X 20, 10.9, 3-33, 3-39
 Screw, Flt, Phl, 10-32 X 0.31, 4-17
 Screw, Hex, .25-20 X 0.38, 5, 2-73
 Screw, Hex, .25-20 X 0.75, Sems, 3-69, 3-71, 3-87, 3-89
 Screw, Hex, .31-18 X 1.00, Ss, NI, 2-49, 3-43
 Screw, Hex, .38-16 X 1.00, NI, 2-49, 3-43
 Screw, Hex, .50-13 X 0.75, 5, 3-13, 3-15
 Screw, Hex, .50-13 X 3.00, Ss, 2-63
 Screw, Hex, #10-24 X 0.50, Ss, 2-39
 Screw, Hex, M 5 X 0.8 X 12, 8.8, 2-75
 Screw, Hex, M 6 X 1.0 X 16, 8.8, 2-75
 Screw, Hex, M 6 X 1.0 X 16, Fmg, 3-55, 3-75, 3-93
 Screw, Hex, M 6 X 1.0 X 20, NI, 2-75
 Screw, Hex, M 6 X 1.0 X 40, Ss, 2-79
 Screw, Hex, M 8 X 1.25 X 20, 8.8, 2-79
 Screw, Hex, M 8 X 1.25 X 30, 8.8, 2-11
 Screw, Hex, M04 X 0.7 X 12, 8.8, 3-97

CROSS REFERENCE

- Screw, Hex, M04 X 0.7 X 20, 8.8, 3-125
Screw, Hex, M05 X 0.8 X 12, 8.8, 2-73
Screw, Hex, M05 X 0.8 X 12, Ss, 3-61, 3-79
Screw, Hex, M05 X 0.8 X 16, 8.8, 2-71
Screw, Hex, M05 X 0.8 X 25, Ss, 2-43, 2-47, 3-99
Screw, Hex, M06 X 1.0 X 12, Ss, 3-69, 3-71, 3-75, 3-87, 3-89, 3-93
Screw, Hex, M06 X 1.0 X 16, 8.8, 2-73, 2-81, 3-27, 3-35
Screw, Hex, M06 X 1.0 X 16, Fmg, 2-9
Screw, Hex, M06 X 1.0 X 16, Ss, 2-53, 2-55, 3-47, 3-49, 3-61, 3-63, 3-65, 3-79, 3-81, 3-83, 3-95
Screw, Hex, M06 X 1.0 X 20, 8.8, 2-11, 2-25, 3-13, 3-15
Screw, Hex, M06 X 1.0 X 20, Fmg, 2-47
Screw, Hex, M06 X 1.0 X 20, Ss, 2-51, 2-59, 2-61, 2-65, 3-31, 3-37, 3-51, 3-53, 3-57, 3-75, 3-93
Screw, Hex, M06 X 1.0 X 25, 8.8, 2-21
Screw, Hex, M06 X 1.0 X 25, Ss, 2-15, 2-39, 3-95, 3-123
Screw, Hex, M06 X 1.0 X 35, 8.8, 2-17
Screw, Hex, M06 X 1.0 X 35, Ss, 3-139
Screw, Hex, M06 X 1.0 X 40, Ss, 2-57, 2-77, 3-51, 3-67, 3-85
Screw, Hex, M06 X 1.0 X 50, 8.8, 3-13, 3-15
Screw, Hex, M06 X 1.0 X 20, 8.8, 2-9
Screw, Hex, M06 X 1.0 X 20, Fmg, 2-9
Screw, Hex, M06 X 1.0 X 20, Ss, 3-67, 3-85
Screw, Hex, M06 X 1.25 X 25, Ss, NI, 2-57
Screw, Hex, M06-1.0 X 12, Fmg, 2-21
Screw, Hex, M08 X 1.25 X 12, 8.8, 2-17
Screw, Hex, M08 X 1.25 X 16, 8.8, 2-17, 2-23, 2-39
Screw, Hex, M08 X 1.25 X 16, Ss, NI, 2-11, 3-97
Screw, Hex, M08 X 1.25 X 16, Ss, 2-19, 2-41, 2-45, 3-63, 3-65, 3-81, 3-83, 3-95
Screw, Hex, M08 X 1.25 X 20, 8.8, 2-11, 2-17, 2-23, 2-71, 2-77, 3-27, 3-33, 3-39
Screw, Hex, M08 X 1.25 X 20, Ss, NI, 2-29, 2-41, 2-53, 2-55, 3-47, 3-49, 3-125
Screw, Hex, M08 X 1.25 X 20, Ss, 2-13, 2-41, 3-45, 3-139, 3-141, 3-147, 3-149
Screw, Hex, M08 X 1.25 X 25, 8.8, 3-5, 3-7, 3-9, 3-11, 3-31, 3-37
Screw, Hex, M08 X 1.25 X 25, Ss, NI, 2-59, 2-61, 3-51, 3-53, 3-57
Screw, Hex, M08 X 1.25 X 25, Ss, 2-13, 2-49, 2-63, 2-65, 3-43, 3-59, 3-77, 3-95, 3-123, 3-129, 3-131
Screw, Hex, M08 X 1.25 X 30, 8.8, 2-17
Screw, Hex, M08 X 1.25 X 30, Ss, 2-29, 3-97
Screw, Hex, M08 X 1.25 X 35, 8.8, 2-25
Screw, Hex, M08 X 1.25 X 35, Ss, 2-59, 2-61, 3-53, 3-57, 3-139
Screw, Hex, M08 X 1.25 X 40, 8.8, 3-27, 3-35
Screw, Hex, M08 X 1.25 X 40, Ss, 2-25
Screw, Hex, M08 X 1.25 X 45, Ss, 2-57, 3-51, 3-67, 3-85
Screw, Hex, M08 X 1.25 X 60, Ss, 3-51, 3-85
Screw, Hex, M08 X 1.25 X 70, Ss, 2-67, 2-69, 3-129, 3-131, 3-133, 3-135
Screw, Hex, M08 X 1.25 X 100, Ss, 2-67, 2-69, 3-133, 3-135
Screw, Hex, M08 X 1.25 X 130 Ss, 3-129, 3-131
Screw, Hex, M08 X 1.25 X 16, 8.8, 2-9
Screw, Hex, M08 X 1.25 X 160, 8.8, 2-47
Screw, Hex, M08 X 1.25 X 20, 8.8, 2-9
Screw, Hex, M08 X 1.25 X 20, Ss, 2-9, 3-77
Screw, Hex, M08 X 1.25 X 25, Ss, 3-45, 3-77
Screw, Hex, M08-1.25 X 20, Ss, 3-143
Screw, Hex, M08-1.25 X 40, Ss, 2-17
Screw, Hex, M08x1.25 X12,Ss, 3-69, 3-71, 3-87, 3-89
Screw, Hex, M10 X 1.5 X 16, 8.8, 3-27
Screw, Hex, M10 X 1.5 X 20, 8.8, 3-19, 3-21, 3-23
Screw, Hex, M10 X 1.5 X 20, Ss, 3-61, 3-79
Screw, Hex, M10 X 1.5 X 25, 8.8, 3-31, 3-37
Screw, Hex, M10 X 1.5 X 25, Ss, 2-49, 3-16, 3-17, 3-19, 3-21, 3-35, 3-41, 3-43, 3-45, 3-77
Screw, Hex, M10 X 1.5 X 30, Ss, 2-65, 3-61, 3-79
Screw, Hex, M10 X 1.5 X 35, 8.8, 2-21, 3-107, 3-109, 3-111, 3-113
Screw, Hex, M10 X 1.5 X 35, Ss, 2-29, 2-41
Screw, Hex, M10 X 1.5 X 40, 8.8, 2-17
Screw, Hex, M10 X 1.5 X 60, 8.8, 2-21
Screw, Hex, M10 X 1.5 X 60, Ss, 2-63, 2-65
Screw, Hex, M10 X 1.5 X 30, Ss, 2-63
Screw, Hex, M12 X 1.75 X 40, 8.8, 3-45
Screw, Hex, M12 X 1.75 X 25, 8.8, 2-23
Screw, Hex, M12 X 1.75 X 30, Ss, 2-67, 2-69, 3-129, 3-131, 3-133, 3-135
Screw, Hex, M12 X 1.75 X 40, 8.8, 2-27
Screw, Hex, M12 X 1.75 X 50, Ss, 3-69, 3-71, 3-87, 3-89
Screw, Hex, M12 X 1.75 X 80, 8.8, 3-31, 3-37
Screw, Hex, M4 X 0.7 X 12, 8.8, 2-33
Screw, Hex, M4 X 0.70 X 50, Ss, 4-17
Screw, Hex, M5 X 0.8 X 16, Ss, 3-139
Screw, Hex, M5 X 0.8 X 16, 8.8, 2-82
Screw, Hex, M5 X 0.8 X 20, 8.8, 2-31
Screw, Hex, M5 X 0.80 X 12, 8.8, 2-37, 2-83, 3-101
Screw, Hex, M6 X 1.0 X 16, 8.8, 2-31, 2-33
Screw, Hex, M6 X 1.0 X 30, 8.8, 2-82
Screw, Hex, M6 X 1.0 X 12, Fmg, 3-107, 3-109, 3-111, 3-113
Screw, Hex, M6 X 1.00 X 12, Ss, 3-107, 3-109, 3-111, 3-113
Screw, Hex, M6 X 1.00 X 16, 8.8, 2-37
Screw, Hex, M6 X 1.00 X 20, 8.8, 2-45
Screw, Hex, M6 X 1.00 X 20, 9.8, Sems, 3-101
Screw, Hex, M6 X 1.00 X 25, Fmg, 2-21
Screw, Hex, M6X1.0X16, Ss, NI, 3-27
Screw, Hex, M6X1.0X20, Ss, 3-73, 3-91
Screw, Hex, M8 X 1.25 X 16, Ss, NI, 3-65, 3-83
Screw, Hex, M8 X 1.25 X 20, 8.8, 2-33
Screw, Hex, M8 X 1.25 X 25, Ss, 2-33
Screw, Hex, M8 X 1.25 X 16, 8.8, 2-37, 3-101
Screw, Hex, M8 X 1.25 X 20, Ss, 3-145, 3-151
Screw, Hex, M8 X 1.25 X 25, 9.8, Sems, 3-101
Screw, Hex, M8 X 1.25 X 30, 8.8, 3-101
Screw, Hex, M8 X 1.25 X 50, 8.8, 3-45, 3-77
Screw, Hex, 3-67
Screw, Mtg, 4-13
Screw, Pan, .25-20 X 1.00, 2, 2-21
Screw, Pan, .31-18 X 0.75, G1, 2-19
Screw, Pan, #06-32X0.38, 1, 2-71
Screw, Pan, #10-14 X 0.75, F/Plstc, 3-97
Screw, Pan, #10-14 X 0.75, F/Plstc, 3-5, 3-7, 3-13, 3-15
Screw, Pan, #10-14X0.75, F/Plstc, 3-127
Screw, Pan, #12-16 x 0.50, F/Plstc, 3-161
Screw, Pan, M 4 X 0.7 X 6, 4.8, 2-75
Screw, Pan, M 5 X 0.8 X 6, 4.8, 2-75
Screw, Pan, M04 X 0.7 X 10, Ss, 2-13
Screw, Pan, M04 X 0.7 X 20, Ss, 3-117
Screw, Pan, M04 X 0.7 X 30, 4.8, 2-73
Screw, Pan, M04 X 0.7 X 35, Ss, 2-5, 3-61, 3-79, 3-139
Screw, Pan, M04 X 0.7 X 35, Ss, 2-7
Screw, Pan, M05 X 0.8 X 6, 4.8, 2-21
Screw, Pan, M05 X 0.8 X 25, Ss, 3-59, 3-77
Screw, Pan, M06 X 1.0 X 10, Ss, 3-61, 3-79
Screw, Pan, M06 X 1.0 X 35, Ss, 2-5
Screw, Pan, M06 X 1.0 X 35, Ss, 2-7
Screw, Pan, Phi, .31-18 X 1.00, G2, 2-19
Screw, Pan, Phi, M5 X 0.80 X 16, Tcut,Ss, 4-17
Screw, Set, .31-18 X 0.50, Soc, 2-17
Screw, Set, #10-32 X 0.38, Al, 3-61, 3-79
Screw, Soc, M08 X 1.25 X 25, 12.9, 2-21, 2-57, 3-85
Screw, Soc, M08 X 1.25 X 60, 12.9, 2-23
Screw, Soc, M08 X 1.25 X 80, 12.9, 2-23

- Screw, Soc, M12 X 1.75 X 45, 3-27
 Screw, 4-3, 4-11, 4-14
 Seal connector, 4-11
 Seal kit, 4-11
 Seal, Bulb, [Sd-168], 12.50l, 2-23
 Seal, Bulb, [Sd-504], 15.52l, 2-23
 Seal, Bulb, [Sd-504], 27.90l, 2-23
 Seal, Bulb, [Sd-504], 48.70l, 2-11
 Seal, Cup, Lower, 4-13
 Seal, Cup, Upper, 4-13
 Seal, Fan, 4-3, 4-5
 Seal, O-Ring, .139 X 2.98id, 2-23
 Seal, O-Ring, 2-23
 Seal, Rbr, Clsd, 0.25th, 5.8d 03.3h, 2-2, 2-3, 2-45
 Seal, Rbr, Clsd, 0.375, 5.0D 2.5H, 2-45
 Seal, Wire, 14/16ga [Wp / Mp280 Sealed], 4-18
 Seal, 2-43, 3-99, 4-6
 Seat (Replaced by 9005082), 2-19
 Seat, Std [Michigan, Model V-2505], 2-19
 Seat, Suspension, 3-25
 Seatbelt, 3-23
 Sensor, Level, Liquid [Magnetic], 2-41, 3-97
 Sensor, Level, Liquid, 14vdc 01a .62-11, 2-41
 Sensor, Pedal Position, 2-21
 Sensor, Position, Pedal, 2-21
 Shaft, Drive, Brush, 3-61, 3-79
 Shaft, Output, 4-14
 Shaft, Steering, Lower, 2-17
 Shaft, Steering, Upper, Mach, .75d 24.1l, 2-17
 Shaft, Steering, 2-17
 Shaft, Threaded, 3-33, 3-39
 Shaft, 2-27
 Shell, 4-3, 4-5
 Shoe, Plstc, Sqge, 14inch, 3-127
 Shunt, 2 Hd Motor, Red [SCB 515] (For Heavy Duty Motor), 2-57
 Shunt, 2 Std Motor, Blk [SCB 515] (For Standard Motor), 2-57
 Shunt, 2Hd Mtrs, Scrub 515, Red, 3-67, 3-85
 Shunt, 3 Std Mtrs, Scrub 515, Yellow, 3-51
 Skirt, Front, Scrub Head, 2-Brush, Ele, 2-2, 2-49
 Skirt, Front, Scrub Head, 3-Brush, Ele, 2-2, 3-43
 Skirt, Rear, Scrub Head, 2-Brush, Ele, 2-2, 2-49
 Skirt, Rear, Scrub Head, 3-Brush, Ele, 2-2, 3-43
 Skirt, Side, Scrbr Head, Ele, 2-2
 Skirt, Side, Scrub Head, 2-Brush, Ele, 2-49
 Sleeve, .335b X .62d X .52l, Sst, 3-53, 3-57
 Sleeve, .38b X .75d X 1.5l, Bronze, 2-47
 Sleeve, 0.32b 0.50d 0.3l, 2cham, Ss, 2-37
 Sleeve, 0.62d 0.34b 1.19l Bnz, 3-129, 3-131
 Sleeve, Nyl, #15 14.0l, 2-77, 2-79
 Sleeve, P/M, 0.44b 0.75d 0.5l [430ss], 3-129, 3-131
 Sleeve, P/M, 0.625d 0.335b 0.52l Ss, 2-59, 2-61
 Sleeve, P/M, 0.625d 0.406b 0.38l 430ss, 3-33
 Sleeve, P/M, 0.745d 0.438b 0.50l 430ss, 2-65
 Sleeve, Support, Tilt, 2-17
 Sleeve, 2-13, 2-25, 2-41, 2-57, 2-59, 2-61, 2-65, 2-67, 2-69, 3-31, 3-37, 3-51, 3-53, 3-57, 3-67, 3-85, 3-129, 3-131, 3-133, 3-135
 Spacer, .41b .63d .13l, Ss 430pm, 2-63
 Spacer, Battery, Lh, Iron Gray, 3-145, 3-149, 3-151
 Spacer, Battery, Lh, 3-147
 Spacer, Battery, Rear, Iron Gray, 3-145, 3-147, 3-149, 3-151
 Spacer, Battery, Rh, Iron Gray, 3-145, 3-149, 3-151
 Spacer, Battery, Rh, 3-147
 Spacer, Battery, Stl, Iron Gray, 3-143
 Spacer, Flanged, 3-33, 3-39
 Spacer, Latch, Filter, 2-41
 Spacer, Plate, 3-45, 3-59, 3-77
 Spacer, Rnd, .38B .88D .63L, 2-19
 Spacer, Rod-End, 3-59, 3-77
 Spacer, Washer, 2-51, 3-45, 3-59, 3-77
 Spacer, 2-21, 4-3, 4-5, 4-14, 4-15
 Spring, Bearing, 4-7
 Spring, Brush, 4-8, 4-9
 Spring, brush, 4-6
 Spring, Cmpr, 0.36od .04wir 2.5l, 2-13
 Spring, Cmpr, 1.5 Od .75id X 2.5l, 2-47
 Spring, Cmpr, .87od .042wir 2.0l, 2-67, 2-69, 3-129, 3-131, 3-133, 3-135
 Spring, Compression, 3-121
 Spring, Cover, 2-29
 Spring, Die, 1.00od 0.50id 1.25l, 3-31, 3-37
 Spring, Die, 1.00od 0.50id 2.00l, 2-63
 Spring, Extn, 0.75od X 0.09wir, 2.5l, 2-59, 2-61, 3-53, 3-57, 3-69, 3-71, 3-87, 3-89
 Spring, Extn, 1.00od X 0.11wir, 5.5l, 2-25
 Spring, Extn, 1.10od X 0.15wir, 3.2l, 3-31, 3-37
 Spring, Extn, 1.69od X 0.20wir, 9.5l, 2-65, 3-129, 3-131
 Spring, load, 4-3
 Spring, Motor, Iron Gray, 3-61, 3-79
 Spring, Tors, 0.75id .06wir 02.8coil, 2-25
 Spring, Torsion, 2-17
 Spring, Wir, 0.16d, Brush Retaining, 2-5, 2-7
 Spring, 3-13, 3-15, 4-5, 4-7, 4-13
 Sprocket Wldt, #40, 96tooth, 7.00 B, 2-23
 Sprocket, #40 24-Tooth, 3-27
 Sprocket, #40, 10tooth, 0.750b, 2-17
 Sprocket, #40, 10tooth, 0.787b, 2-17
 Sprocket, Timing, 23tooth, 0.625b, 3-61, 3-79
 Sprocket, Timing, 4.261pd, 68 Grv, Pl, 3-61, 3-79
 Squeegee Assy Kit, Rear, Ci [Mp1000], 2-69, 3-135
 Squeegee Assy Kit, Rear, Ci [Mp1200], 3-131
 Squeegee, Side, Ure, [7300/830], 3-136, 3-137
 Squeegee, Side, 2-2, 2-3, 2-59, 2-61, 3-53, 3-57, 3-69, 3-71, 3-87, 3-89
 Stand-Off, 1.25, Metal, 3-35
 Stand-Off, 1.25, Plstc, 3-35
 Stationary Fan, 4-5
 Steer-Control, Hyd (Replaced by 387653), 3-27
 Steer-Control, Hyd (See Breakdowns), 3-27
 Steer-Control, Hyd, 4-15
 Stop Wldt (Replaced by 398454), 3-139
 Stop Wldt, Iron Gray, 3-139
 Strainer, Pump, Es, 3-97
 Strainer, Soltn, Switch Guard (Repl By 1019285), 3-97
 Strainer, Soltn, Switch Guard (Repl. By 387649), 2-41
 Strainer, Tank, Solution, 3-97
 Strap, 2-43, 3-99
 Strip, Nonslip, 2-67, 2-69, 3-129, 3-131, 3-133, 3-135
 Strip, Retainer, 3-121
 Strip, Stl, 0.05th X 00.75w, 07.80l, 2-21
 Stud, .31-18 2.75l M8 X 1.25, Ss, 2-67, 2-69, 3-129, 3-131, 3-133, 3-135
 Stud, Adj, 3-121
 Stud, Ball, .39d .31-16, Gasspring, 2-57, 3-51, 3-67, 3-85
 Support Wldt, Iron Gray, 2-65
 Support Wldt, 2-65
 Switch Assy, Dual Press, 14" Tube, 3-97
 Switch Assy, Press, 3 Inch, 8" Tube, 3-97
 Switch Assy, Press, 4 Inch, 2-41
 Switch assy, 4-11
 Switch, Limit, No, 3-139
 Switch, No (Replaced by 398454), 3-139
 Switch, Press, 25 Psi, Pm02, 3-101
 Switch, Rocker, 36vdc 05a Progressive, 2-82
 Switch, Rocker, Prgrsv, 2-83, 3-103
 Switch, Rocker, Spst, Mom, 4-17
 Switch, Rocker, 2-15, 3-5, 3-7, 3-9, 3-11, 3-125
 Switch, Safety, Shutoff, 2-15
 Switch, Seat, No [Delta 6440-04], 2-19
 Switch, Seat, 2-19
 Switch, Start, 2-15
 Switch, Vacuum, Dual Level, 2-45
 Switch, 2-15

CROSS REFERENCE

T

Taillight, 12vdc, 3.6 X 1.9, Rework 87277, 2-9
Tank Kit, Recvy, W/ Label, Replmt [7300], 2-41
Tank Kit, Recvy, W/ Label, Teal, Replmt, 2-41
Tank Kit, Soltn, W/ Label, Replmt [7300], 2-29
Tank Kit, Soltn, W/ Label, Teal, Replmt, 2-29
Tank, Detergent, 3-117
Tape, Foam, 2-81
Terminal female, 4-11
Terminal, [Metripk630], Fem 10, 4-7
Terminal, Fem, Mp280, Sealed, 18-16ga, 4-18
Terminal, Female, 4-3, 4-5
Terminal, 4-8, 4-9, 4-10
Tie, Cable, Nyl, 07.3l .19w 1.8 Max D, 2-19, 2-53, 2-55, 3-5, 3-7, 3-13, 3-35, 3-41, 3-47, 3-49, 3-97, 3-125
Tie, Cable, Nyl, 11.4l .19w 3.0 Max D, 2-49, 3-43
Tie, Cable, Nyl, 14.5l .30w 4.0 Max D, 2-53, 2-55, 3-47, 3-49
Tie, Cable, Nyl, 28.5l .50w 8.0 Max D, 2-77, 2-79
Timer, 9-41vdc, Recycling, 2-82
Tire Assy, 16 X 5 X 12.12 Non-Skid, 3-160
Tire Assy, 16 X 5 X 12.12, 2-2, 2-27
Tire Assy, Solid, 16.2X6.0 5.7Bc/5 Bolt, 2-23
Tire Assy, Solid, 16.2x6.0 5.7bc/5bolt, 2-2
Tire Assy, Solid, 16.3x6.0 5.7bc/5bolt, 3-159
Tire, Non-Skid 16.25x6x11.25, 3-159
Tire, Solid, 16 X 5 X 12.12, 2-27
Tire, Solid, 16.2X6.0X11.2, 2-23
Tray Wldt, Power Wand, Iron Gray, 3-125
Tray Wldt, Power Wand, 3-125
Tray, Debris, 40.0l, 3-75
Tray, Debris, 40L, W/Holes, 3-73
Tray, Debris, 48.0l, 3-93
Tray, Debris, 48L, W/Holes, 3-91
Tread, Floor, 12.5 X 5.75, 3-45, 3-77
Tread, Non Skid, 2.2w 11.5l, 2-21
Tread, Non-Skid, 02.2 11.5, 2-21
Tread, Non-Skid, 06.0w X 15.5l, 2-21
Tread, Non-Skid, 2-21
Tread, Step, 3-45
Tube Assy, 2 Inch, 2-41
Tube Assy, Spray Bar 40" [7300/8300], 3-65
Tube Wldt, Upper, Iron Gray, 3-75, 3-93
Tube Wldt, Vacuum, Scrbr Head, Iron Gray, 3-75, 3-93
Tube Wldt, 3-55, 3-75, 3-93
Tube, 0.34id 0.62od 00.2l, Stil, 3-101
Tube, 0.69ld 1.25Od 00.4L, Blk, Rod-End, 3-77
Tube, 0.69ld 1.25Od 00.4L, Rod-End, Gray, 2-51

Tube, 0.69id 1.25od 00.4l, Rod-End, Gray, 3-45, 3-59
Tube, Guard, Oprtr, Pnt, Lh, 3-19
Tube, Guard, Oprtr, Pnt, Rh, 3-19
Tube, Ohg, Oprtr, Lh, Pntd, Iron Gray, 3-21
Tube, Ohg, Oprtr, Rh, Pntd, Iron Gray, 3-21
Tube, Pvc, Shc80, Clear, 4.0l, 2-35
Tube, Wand, Vacuum, Metal, 3-127

V

Vacuum Fan, 4-5
Valve Kit, Pump, 4-12
Valve, Ball, Drain, 1.50ID, Ss, Rwk, 3-107, 3-109, 3-111, 3-113
Valve, Check, 2 Gpm 0.5psi Bm04/Bm04, 2-33
Valve, Check, 2 Gpm 3" 06bm/08bm, 2-31
Valve, Check, 0002psi [Fast li+], 4-19
Valve, Check, 0005psi [Fast li+], 4-19
Valve, Check, 0005psi Bm06/Bm08, 2-37
Valve, Check, 0030psi Pm04/Pf04, 3-101
Valve, Flow Control, Hose Adapter, 3-97
Valve, Solenoid, 0.25" Orifice, 24vdc, 4-17
Valve, Solenoid, 36vdc, 3-95
Valve, Vent, Air, Float Type, 3-101
Valve, Water, 36vdc, 6.0mm, 04pf, 2-31
Valve, Water, Solenoid, 36vdc 6.0mm Pf04, 2-37
Valve, Water, 2-39, 2-53, 2-55, 3-47, 3-49, 3-63, 3-65, 3-81, 3-83, 3-121
Video, Operator, Vhs, Ntsc [7300], 3-162
Video, Oprtr, Training, Dvd [7300], 3-162

W

Wand, Clean-Out, 3-97
Wand, 3-121
Washer, 0.25b 1.12d .12, Ss, 3-61, 3-79
Washer, .625 B, 2.50 Od, .211 T, Ss, 3-31, 3-37
Washer, 0.31b 0.88d .12, Rbr, 2-29, 3-97
Washer, 0.40B 1.12D .12, Stil, Pl, 3-59, 3-77
Washer, 0.40b 1.12d .12, Stil, Pl, 2-45
Washer, 0.53b 1.88d .12, Stil, Pl, 2-67, 2-69, 3-129, 3-131, 3-133, 3-135
Washer, 0.60b 1.31d .10, Ss, 2-63
Washer, 0.81b 1.24d .03, Stil, Pl, 3-33, 3-39
Washer, Belleville, .31, 2-49, 3-43
Washer, Belleville, .38, 2-23
Washer, Finish, M06, Pl, 2-15
Washer, fl neo, 10.8x22x1.5, 4-3
Washer, Flat, .25 Sae, 3-35
Washer, Flat, .31 Fender, 2-17
Washer, Flat, .31 Sae, 3-35
Washer, Flat, .31 Ss, 3-35, 3-41, 3-143
Washer, Flat, .38 Ss, 3-31, 3-35, 3-41
Washer, Flat, .38 Std, 2-65, 3-37

Washer, Flat, #06, 2-33
Washer, Flat, #10 Ss, 2-75, 3-139
Washer, Flat, #10, 2-31
Washer, Flat, 0.25 Sae, 2-75, 3-55, 3-75, 3-93
Washer, Flat, 0.25 Ss, 2-79, 3-73, 3-91
Washer, Flat, 0.25 Std, 2-31, 2-33, 2-75, 2-79
Washer, Flat, 0.25, Sae, 2-45
Washer, Flat, 0.25, Std, 3-101
Washer, Flat, 0.27b 0.69d .05, Ss, 3-129, 3-131
Washer, Flat, 0.31 Sae, 2-75, 3-139
Washer, Flat, 0.31 Ss, 3-139
Washer, Flat, 0.31 Std, 2-33, 2-75
Washer, Flat, 0.31, Std, 2-37, 3-45, 3-77
Washer, Flat, 0.34b 0.75d 0.12, Viton, 2-31
Washer, Flat, 0.34b 0.69d .06, Nyl, 3-103
Washer, Flat, 0.38 Std, 3-33, 3-65, 3-83
Washer, Flat, 0.38b 0.88d .08, Ss, 3-145, 3-151
Washer, Flat, 0.40b 1.12d .12, Stil, Pl, 2-47
Washer, Flat, 08, Ss, 4-17
Washer, Flat, 1.00 Sae Hard, 2-27
Washer, Flat, 1.50 Std Hard, 2-77, 2-79
Washer, Flat, 10, Ss, 2-37, 3-101
Washer, Flat, 10, 2-83
Washer, Flat, M12, 13x24x2.5ss, 3-69, 3-71, 3-87, 3-89
Washer, Flat, 2-65
Washer, Flt, .25 Sae, 2-11, 2-15, 2-73, 2-77, 2-81, 3-13, 3-15, 3-27
Washer, Flt, .25 Ss, 2-5, 2-7, 2-9, 2-13, 2-39, 2-47, 2-57, 2-59, 2-61, 2-65, 2-67, 2-69, 2-77, 3-31, 3-37, 3-51, 3-53, 3-57, 3-61, 3-63, 3-65, 3-67, 3-69, 3-71, 3-75, 3-79, 3-81, 3-83, 3-85, 3-87, 3-89, 3-93, 3-95, 3-107, 3-109, 3-111, 3-113, 3-123, 3-133, 3-135
Washer, Flt, .25 Std, 2-21, 2-25, 2-53, 2-55, 2-73, 2-77, 3-47, 3-49
Washer, Flt, .31 Sae, 2-25, 2-73, 3-5, 3-7, 3-9, 3-11, 3-27
Washer, Flt, .31 Ss, 2-9, 2-13, 2-19, 2-25, 2-29, 2-41, 2-47, 2-49, 2-53, 2-55, 2-57, 2-59, 2-61, 2-65, 2-67, 2-69, 3-31, 3-37, 3-43, 3-45, 3-47, 3-49, 3-51, 3-53, 3-57, 3-63, 3-65, 3-67, 3-81, 3-83, 3-85, 3-95, 3-97, 3-117, 3-123, 3-129, 3-131, 3-133, 3-135, 3-139, 3-147, 3-149
Washer, Flt, .31 Std, 2-9, 2-11, 2-17, 2-23, 2-39, 2-71, 3-25, 3-27, 3-31, 3-33, 3-37, 3-39, 3-45
Washer, Flt, .31, 3-125
Washer, Flt, .38 Sae, 2-21, 3-33, 3-39

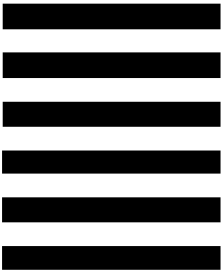
Washer, Flt, .38 Ss, 2-29, 2-41, 2-49, 2-51,
 2-57, 2-59, 2-61, 2-63, 2-65, 3-16,
 3-17, 3-19, 3-21, 3-43, 3-45, 3-51,
 3-53, 3-57, 3-59, 3-61, 3-67, 3-69,
 3-71, 3-77, 3-79, 3-85, 3-87, 3-89
 Washer, Flt, .38 Std, 3-19, 3-21, 3-107,
 3-109, 3-111, 3-113
 Washer, Flt, .50 Sae, 2-21, 2-27, 3-13,
 3-15, 3-27, 3-31, 3-37, 3-45
 Washer, Flt, .50 Ss, 2-47, 2-67, 2-69,
 3-129, 3-131, 3-133, 3-135
 Washer, Flt, .50 Std, 2-17, 2-47, 3-23,
 3-33, 3-39, 3-51, 3-59, 3-77
 Washer, Flt, .75 Sae, 2-9
 Washer, Flt, #06, 3-125, 3-127
 Washer, Flt, #08 Ss, 2-5, 2-7, 3-117
 Washer, Flt, #10 Ss, 2-21, 2-39, 2-41,
 2-43, 2-47, 2-71, 2-73, 3-99
 Washer, Flt, #10, 2-15, 2-73, 2-75, 2-77,
 2-79, 3-5, 3-7, 3-13, 3-15, 3-27, 3-35
 Washer, Lock, Int, .25, 2-73, 2-75, 2-77
 Washer, Lock, Int, .31, 2-33, 2-73, 2-75,
 2-77, 2-79, 3-27, 3-35
 Washer, Lock, Int, .38, 2-77, 2-79
 Washer, Lock, Int, #06, Ss, 3-35
 Washer, Lock, Int, #08, Ss, 2-75
 Washer, Lock, Int, #10, Ss, 2-75, 2-77,
 2-79, 3-27
 Washer, Lock, Int, #10, 2-9, 2-21, 2-73,
 2-75, 3-13, 3-15, 3-35
 Washer, Neo., 4-5
 Washer, Polye, 3-107, 3-109, 3-111, 3-113
 Washer, Rbr, .12 0.66b 1.00d, 3-95
 Washer, Rbr, .68idx1.00d, 3-97
 Washer, Thrust, 0.61b 1.25d .06, Fgl,
 2-59, 2-61, 2-65, 3-53, 3-57, 3-69,
 3-71, 3-87, 3-89
 Washer, Thrust, 0.75b 1.25d 0.06w, 3-129,
 3-131
 Washer, 2-19, 2-63, 4-3, 4-13
 Wheel, 3.0d 1.38w 0.50b, 2-2, 2-3, 2-63
 Wheel, 4.0d 0.89w 0.64b, 3-129, 3-131
 Wheel, 4.0d 0.98w 0.78b, 2-9
 Wheel, Steering, 14.0d, Taper Bore, 2-17,
 3-27
 Wheel, 3-121
 Wire Assy, 02ga 27.0l Blk .34h /.34h,
 2-77, 2-79
 Wire Assy, 02ga, 10.0l, Blk, 2-79
 Wire Assy, Jumper Reverse, [515], 3-61,
 3-79
 Wire, 04ga 09.0l Blk .34ring /.28ring, 2-77
 Wire, 04ga 32.0l Blk .31ring /.31ring, 2-77
 Wire, 06ga 11.0l Blk .34ring /.28ring, 2-77
 Wire, 06Ga 09.0L Blk .34 Ring/.34 Ring,
 2-79



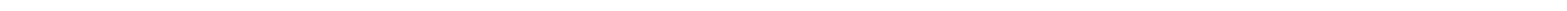
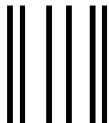
TENNANT COMPANY
 Technical Publications #15
 701 North Lilac Drive
 P.O. Box 1452
 Minneapolis, MN 55440-9947

POSTAGE WILL BE PAID BY ADDRESSEE

BUSINESS REPLY MAIL
 FIRST CLASS MAIL PERMIT NO. 94 MINNEAPOLIS, MN

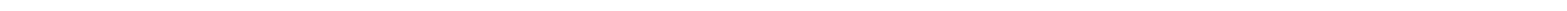


NO POSTAGE
 NECESSARY
 IF MAILED
 IN THE
 UNITED STATES



Fold along dotted lines

Tape here

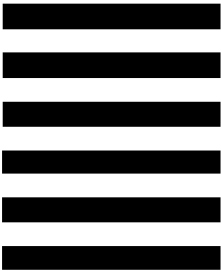




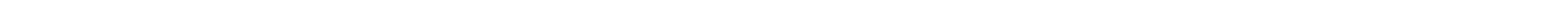
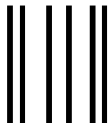
TENNANT COMPANY
 Technical Publications #15
 701 North Lilac Drive
 P.O. Box 1452
 Minneapolis, MN 55440-9947

POSTAGE WILL BE PAID BY ADDRESSEE

BUSINESS REPLY MAIL
 FIRST CLASS MAIL PERMIT NO. 94 MINNEAPOLIS, MN



NO POSTAGE
 NECESSARY
 IF MAILED
 IN THE
 UNITED STATES



Fold along dotted lines

Tape here

