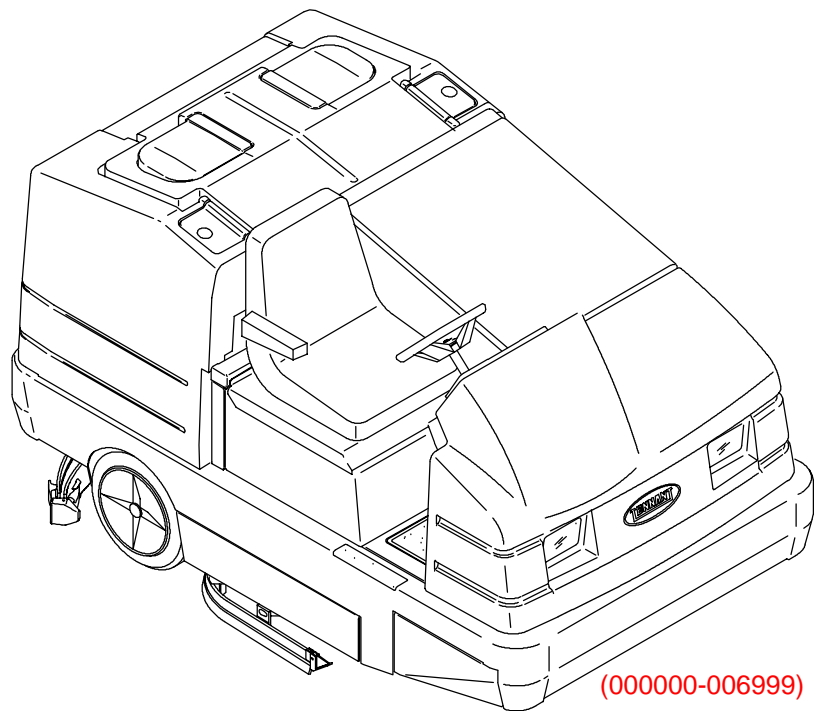




7400

Parts Manual



(000000-006999)

MM425

Rev. 10





This manual is furnished with each new TENNANT Model 7400.

This manual consists of the How To Use This Manual; Standard Parts; Options; Breakdowns; Engine Breakdown; and Cross Reference sections.

MACHINE DATA

Please fill out at time of installation for future reference.

Machine Model Number - 7400

Machine Serial Number - _____

Machine Options - _____

TENNANT Representative/phone no. - _____

Customer ID Number - _____

Date of Installation - _____

Manual Number - MM425

Revision: 10

Published: 12-02

HOW TO USE THIS MANUAL

This section on *HOW TO USE THIS MANUAL* will tell you how to:

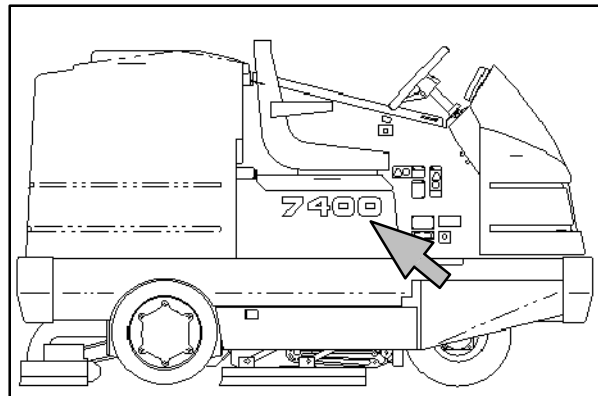
- Find important machine information for ordering correct repair parts.
- Find TENNANT part numbers.
- Order TENNANT parts and supplies.

IMPORTANT INFORMATION

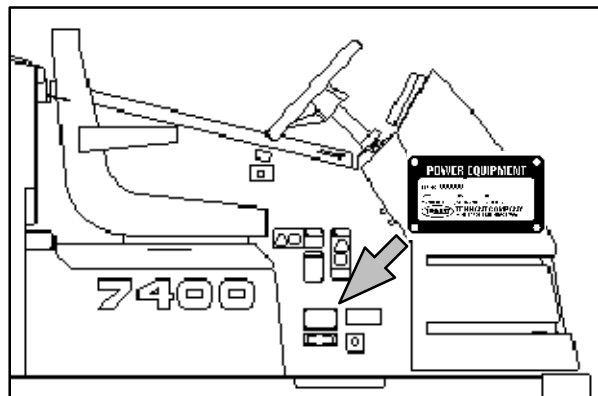
When placing an order for parts, the machine model and machine serial number are important. Refer to the *MACHINE DATA* box which is filled out during the installation of your machine. The *MACHINE DATA* box is located on the inside of the front cover of this manual.

MACHINE DATA	
<i>Please fill out at time of installation for future reference.</i>	
Machine Model Number -7400	
Machine Serial Number - _____	
Machine Options - _____	
TENNANT Representative phone no. - _____	
Customer ID Number - _____	
Date of Installation - _____	
Manual Number -MM425	
Revision: 00	
Published: 1-96	

The model number of your machine is on the side of the machine.



The serial number of your machine is printed on the machine data plate located as shown.



HOW TO USE THIS MANUAL

FINDING A TENNANT PART NUMBER

This manual contains the following sections:

- HOW TO USE THIS MANUAL
- STANDARD PARTS
- OPTIONS
- BREAKDOWNS
- ENGINE BREAKDOWN
- CROSS REFERENCE

The STANDARD PARTS section lists repair parts for standard machines. They are grouped in this general order:

- General wear parts.
- Machine frame and related parts.
- Machine propelling system.
- Scrubbing components.
- Electrical parts.

The OPTION section lists repair parts of options.

The BREAKDOWN section lists available repair parts of major components.

All sections in this manual consist of parts illustrations and corresponding parts lists.

The parts illustrations are numbered with **Ref** numbers which refer to corresponding parts lists.

The parts lists include a number of columns of information:

- **Ref** - column refers to the reference number on the parts illustration.
 ▽ - indicates the part is an assembly.
 ▲ - indicates the part is included in the assembly listed just before it.
- **TENNANT Part No.** - column lists the TENNANT part number for the part.
- **Serial Number** - column indicates the set of machines the part number is applicable to. Serial numbers change when the machine design has been modified. The most current design of the machine is shown in the main illustration, older designs are boxed in a corner of the illustration.
- **Description** - column is a brief description of the part.
- **Qty.** - column lists the quantity of that part used in that area of the machine.

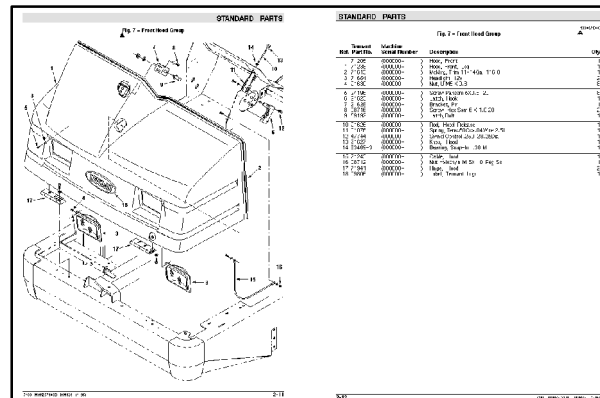
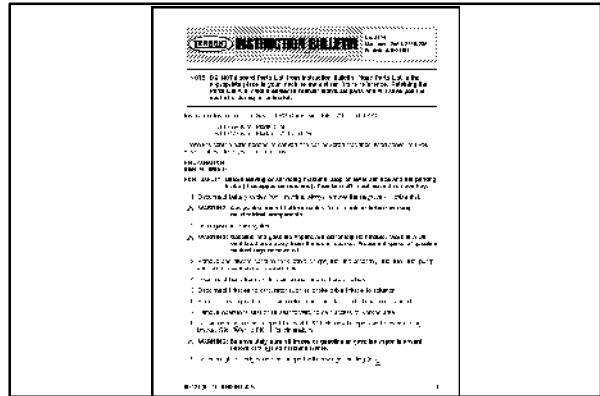


Fig. 7 - Front Hood Group				
Tennant Ref. Part No.	Machine Serial Number	Description		Qty.
1 71205	(000000-)	Hood, Front		1
2 71238	(000000-)	Hood, Front, Lpg		1
3 71513	(000000-)	Molding, Trim 11-14Ga 116.0		1
4 21554	(000000-)	Headlight, 12V		2
4 21530	(000000-)	Nut, U MS X 6,8		8
5 24196	(000000-)	Screw Pansem 5/16 X .20		8
6 21523	(000000-)	Latch, Hood		1
7 21528	(000000-)	Bracket, Pin		1
8 08716	(000000-)	Screw Hex Ssm 6 X 1.0 20		2
9 59192	(000000-)	Latch, Bolt		1
10 21526	(000000-)	Rod, Hood Release		1
11 01076	(000000-)	Spring, Tens.50Cdx.04Wire 2.5L		1
12 47744	(000000-)	Swivel Control .250-.250Ga		1
13 21527	(000000-)	Knob, Hood		1
14 63469-3	(000000-)	Bearing, Snap-In .38 Id		1
15 71243	(000000-)	Cable, Hood		1
16 08712	(000000-)	Nut Hdcsyln M 6X1.0 Reg Ss		1
17 71941	(000000-)	Hinge, Hood		2
18 09306	(000000-)	Label, Tennant Logo		1

NOTE: If a service kit is installed on your machine, be sure to keep the INSTRUCTION BULLETIN which came with the kit. It contains repair parts numbers needed for ordering future parts.

NOTE: Fasteners used in this machine may be metric or non-metric. Take care when replacing hardware to replace with same thread size.



PLACING AN ORDER

Orders may be placed by phone, fax, or by mail. Phone orders may need written confirmation. Follow the steps below to insure prompt delivery:

1. Identify the model number of your machine.
2. Identify the serial number of your machine.
3. Find the part number of the part you need. Do not order by page number or reference number. If you are not able to find the part number, call your TENNANT representative for help or send the old part as a sample.
4. Determine the quantity of the part you need.
5. Provide the following company information:
 - Company name
 - Customer ID Number
 - Shipping address
 - Billing address
 - First and last name of person ordering parts
 - Telephone number
 - Purchase order number
6. Provide definitive shipping instructions.

HOW TO USE THIS MANUAL

Any claim for loss or damage to a shipment in transit should be filed promptly with the transportation company making the delivery. Shipments will be complete unless the packing list or order acknowledgement indicates items back ordered.

If parts received are suspected to be incorrect or defective, please contact the TENNANT representative from whom you ordered the part. They will give authorization for return and/or handle replacement shipments when required.

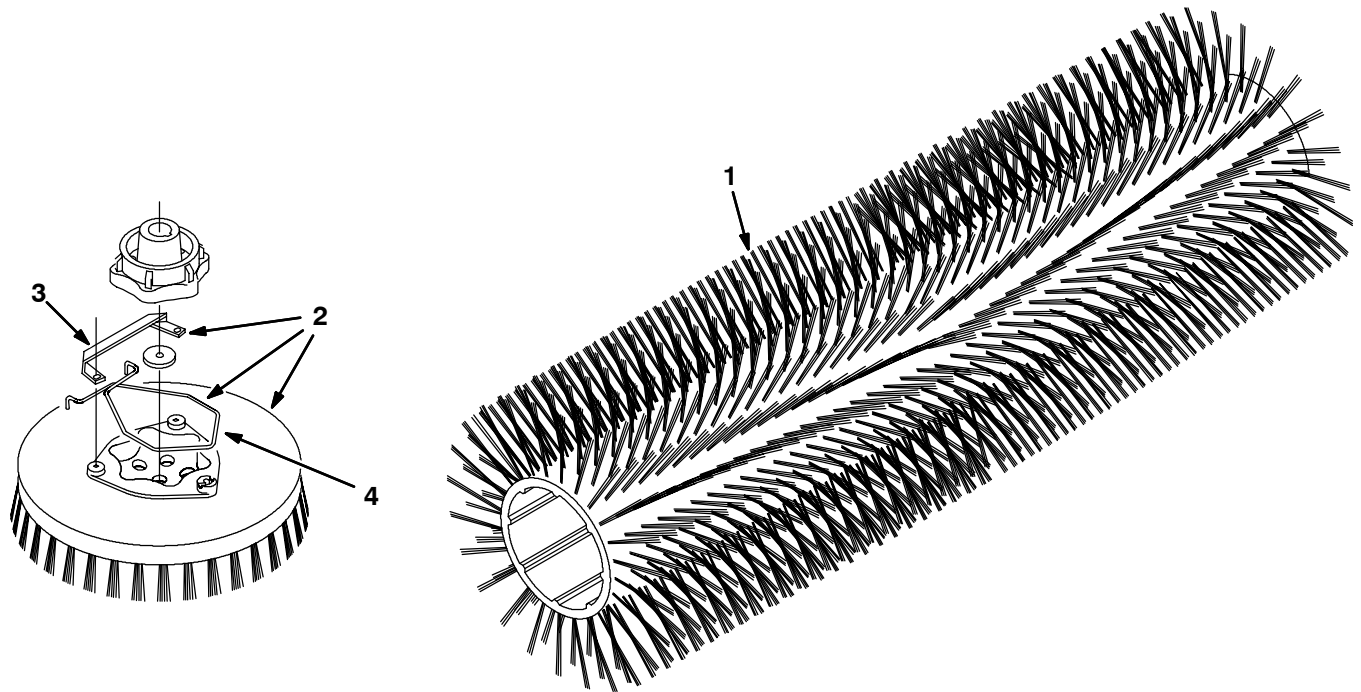
SECTION 2

Contents	Page	Contents	Page
Fig. 1 - General Recommended Maintenance Items	2-2	Fig. 50 - Debris Tray Frame Group	2-104
Fig. 2 - Replacement Brushes	2-3	Fig. 51 - Debris Tray Trough Group	2-106
Fig. 3 - Mainframe Group	2-4	Fig. 52 - Rear Squeegee Lift Group	2-108
Fig. 4 - Brush Doors Group	2-6	Fig. 53 - Rear Squeegee Linkage Group ..	2-110
Fig. 5 - Seat and Shroud Group	2-8	Fig. 54 - Rear Squeegee Assembly	2-112
Fig. 6 - Front Hood Group	2-10	Fig. 55 - Rear Squeegee Caster Assembly	2-114
Fig. 7 - Engine Side Door Group	2-12	Fig. 56 - Label Group	2-116
Fig. 8 - Engine Cover Group	2-14		
Fig. 9 - Steering Group	2-16		
Fig. 10 - Instrument Panel Assembly	2-18		
Fig. 11 - Circuit Breaker and Relay Group ..	2-20		
Fig. 12 - Engine Group	2-22		
Fig. 13 - Engine Mount Group	2-24		
Fig. 14 - Carburetor Group, Gasoline	2-26		
Fig. 15 - Carburetor Group, LPG	2-28		
Fig. 16 - Vaporizer Group, LPG	2-30		
Fig. 17 - Air Cleaner Group	2-32		
Fig. 18 - Alternator Group	2-34		
Fig. 19 - Muffler Group	2-36		
Fig. 20 - Fuel Tank Group, Gasoline	2-38		
Fig. 21 - Fuel Tank Group, LPG	2-40		
Fig. 22 - Radiator Group	2-42		
Fig. 23 - Cooling Fan and Housing Group ..	2-44		
Fig. 24 - Battery Group	2-46		
Fig. 25 - Front Drive Wheel Group	2-48		
Fig. 26 - Rear Wheels and Brakes Group ..	2-50		
Fig. 27 - Brake Pedal Group	2-52		
Fig. 28 - Directional Pedal and Linkage Group	2-54		
Fig. 29 - Vacuum Fan Group	2-56		
Fig. 30 - Solution Control Group	2-58		
Fig. 31 - Solution Tank Group	2-60		
Fig. 32 - Recovery Tank Group	2-62		
Fig. 33 - Solution and Recovery Tank Drain Group	2-64		
Fig. 34 - Solution and Recovery Tank Gaskets Group	2-66		
Fig. 35 - Hydraulic Schematic (000000-005613)	2-68		
Fig. 36 - Hydraulic Schematic (005614-)	2-70		
Fig. 37 - Hydraulic Hose Group	2-72		
Fig. 38 - Hydraulic Pumps Group	2-74		
Fig. 39 - Hydraulic Valve Group	2-76		
Fig. 40 - Hydraulic Reservoir Group	2-78		
Fig. 41 - Hydraulic Filter and Cooler Group	2-80		
Fig. 42 - Electrical Schematic	2-82		
Fig. 43 - Wire Harnesses Group	2-84		
Fig. 44 - Scrub Head Lift Group	2-92		
Fig. 45 - Scrub Brush Housing Group	2-94		
Fig. 46 - Scrub Brush Drive Motor Group ..	2-96		
Fig. 47 - Left Side Squeegee Group	2-98		
Fig. 48 - Scrub Brush Idler Group	2-100		
Fig. 49 - Right Side Squeegee Group	2-102		

Fig. 1 - General Recommended Maintenance Items

Ref.	Tennant Part No.	Machine Serial Number	Description	Qty.
▽	71450	(000000-) Performance Pkg 400Hr Gas	1
▲	39046	(000000-) Spark Plug	4
▲	07705	(000000-) Cover Gasket	1
▲	58120	(000000-) Filter Element, Air	1
▲	19205	(000000-) Filter, Engine Oil, Spin-On	8
▲	36050	(000000-) Filter, Fuel	1
▲	65869-1	(000000-) Oil, Hydr. Shp 15/40 1Gal	6
▲	65221	(000000-) Element, Filter	1
▽	71451	(000000-) Performance Pkg 400Hr Lpg	1
▲	39046	(000000-) Spark Plug	4
▲	07705	(000000-) Cover Gasket	1
▲	58120	(000000-) Filter Element, Air	1
▲	19205	(000000-) Filter, Engine Oil, Spin-On	8
▲	65869-1	(000000-) Oil, Hydr. Shp 15/40 1Gal	6
▲	65221	(000000-) Element, Filter	1
	71235	(000000-) Hose, 3.0 Dia Squeegee	1
	20971	(000000-) Hose, Vacuum 4.0	1
	71102	(000000-) Hose, Vacuum, Tray	1
	71255	(000000-) Blade, Squeegee, Front	2
	71256	(000000-) Blade, Squeegee, Rear	2
	71839	(000000-) Squeegee Assy, S Br	2
	12678	(000000-) Skirt, Side Brush	2
	86859	(000000-) Squeegee, Side	2
	71200	(000000-) Skirt, Brush Arm, Rh	2
	10165	(000000-003660) Wheel, 3 Inch Dia.	2
	20833	(003661-) Wheel, 3 Inch Dia.	2
	75050	(000000-003660) Bushing, Spanner - Special 550	2
	64425	(000000-003660) Washer, .656B 1.25D .06	4
	76943	(000000-003660) Bolt, Axle W/Zerk	2
	02931	(000000-) Nut-Hxlocnyln .50-13 Regss18-8	2
	21614	(000000-) Bumper Kit, Squeegee	2
	58114	(000000-) Fan, Repair Kit, Reassembly	1

Fig. 2 - Replacement Brushes



10784 - ALL

Ref.	Tennant Part No.	Machine Serial Number	Description	Qty.
1	71170	(000000-) Brush-Scrub Spl 45Lg-24Sr-Poly	2
1	71612	(000000-) Brush-Scrub Spl-45Lg-24Sr-S Ab	2
1	71171	(000000-) Brush-Scrub Spl-45Lg-24Sr-Nyl	2
▽	2	05725	(000000-) Brush-Disk Scr-16 D-Assy-Stfp	1
▲	3	24299	(000000-) Bracket Spring Retainer	1
▲	4	14838	(000000-) Spring, Brush Retaining	1
▽	2	05726	(000000-) Brush-Disk Scr 16 D-Assy-S Ab	1
▲	3	24299	(000000-) Bracket Spring Retainer	1
▲	4	14838	(000000-) Spring, Brush Retaining	1
▽	2	05724	(000000-) Brush-Disk Scr 16 D-Assy-Nyl	1
▲	3	24299	(000000-) Bracket Spring Retainer	1
▲	4	14838	(000000-) Spring, Brush Retaining	1

Note: Scrub Brushes Must Be Matched With Proper Hydraulic Cartridge.

Fig. 3 - Mainframe Group

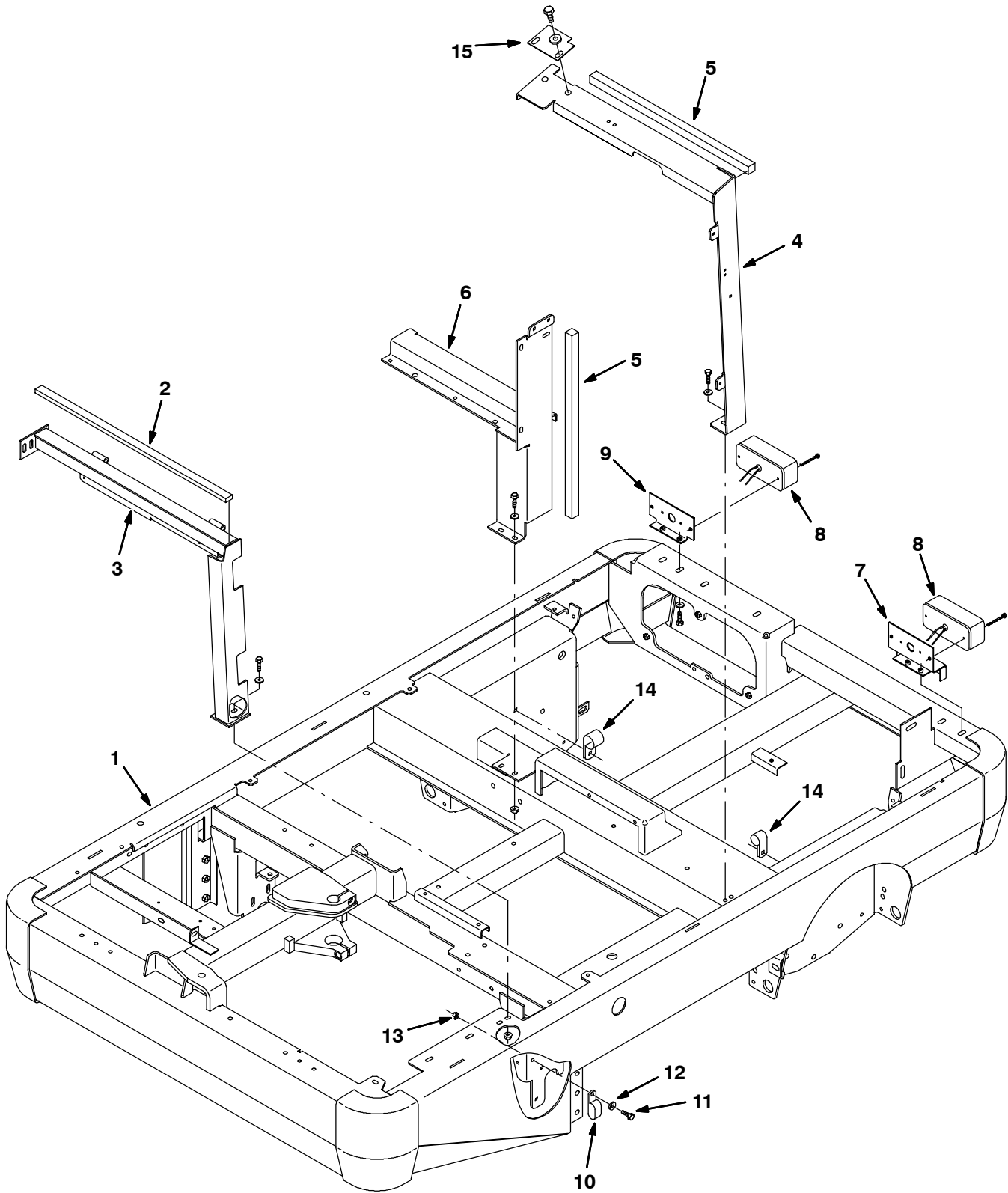


Fig. 3 - Mainframe Group

Ref.	Tenant Part No.	Machine Serial Number	Description	Qty.
1	71289	(000000-) Frame Wldt, Main	1
2	20789	(000000-) Insulation, S/Foam	1
3	71926	(000000-) Lintel Wldt, Hood	1
4	25820	(000000-) Lintel Wldt W/Label	1
5	20805	(000000-) Insulation, S/Foam	2
6	71961	(000000-) Lintel Wldt, Rear, Rh	1
7	20935	(000000-) Bracket, Mounting	1
▽	8	71606	(000000-) Taillight Assy	2
▲		45780	(000000-) Bulb, 12V .5A 4Cp #1157	1
9	20936	(000000-) Bracket, Mtg	1
10	53466	(000000-) Clamp, Cable, Stl, 1.50 X 1.00W, 1H	1
11	09740	(000000-) Scr Hexssm 8X1.25	1
12	01685	(000000-) Washer Flt .31 Ss	1
13	08713	(000000-) Nut-Hxlocnyln M 8X1.25 Reg Ss	1
14	53466	(000000-) Clamp-Cable 1.50D 1.00W	2
15	71886	(000000-) Plate, Filler	1

Fig. 4 - Brush Doors Group

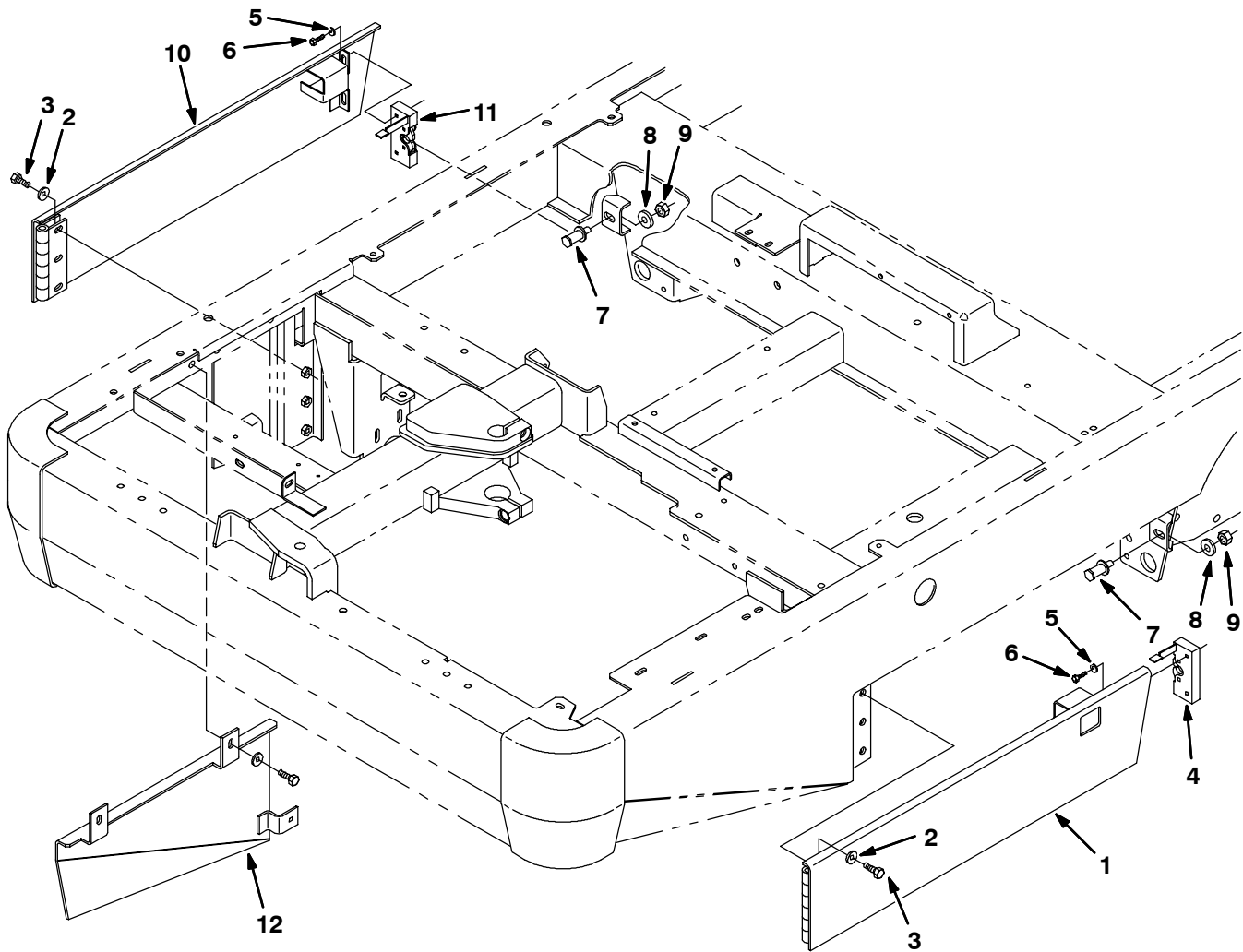


Fig. 4 - Brush Doors Group

Ref.	Tenant Part No.	Machine Serial Number	Description	Qty.
1	71322	(000000-) Door Wldt, Brush, Lh	1
2	01686	(000000-) Washer Flt .38 Ss	9
3	09028	(000000-) Scr Hexssm 10X1.5 25	9
4	59195	(000000-) Latch, Hook, Rh	1
5	01684	(000000-) Washer Flt .25 Ss	4
6	09007	(000000-) Scr Hexssm 6X1.0 25	4
7	59192	(000000-) Latch, Bolt	2
8	41619	(000000-) Washer Flt .50 Ss	2
9	07788	(000000-) Nut Hx Std Ss M12X1.75	2
10	71330	(000000-) Door Wldt, Brush, Rh	1
11	59194	(000000-) Latch, Hook, Lh	1
12	20791	(000000-) Panel Wldt, Filler	1

Fig. 5 - Seat and Shroud Group

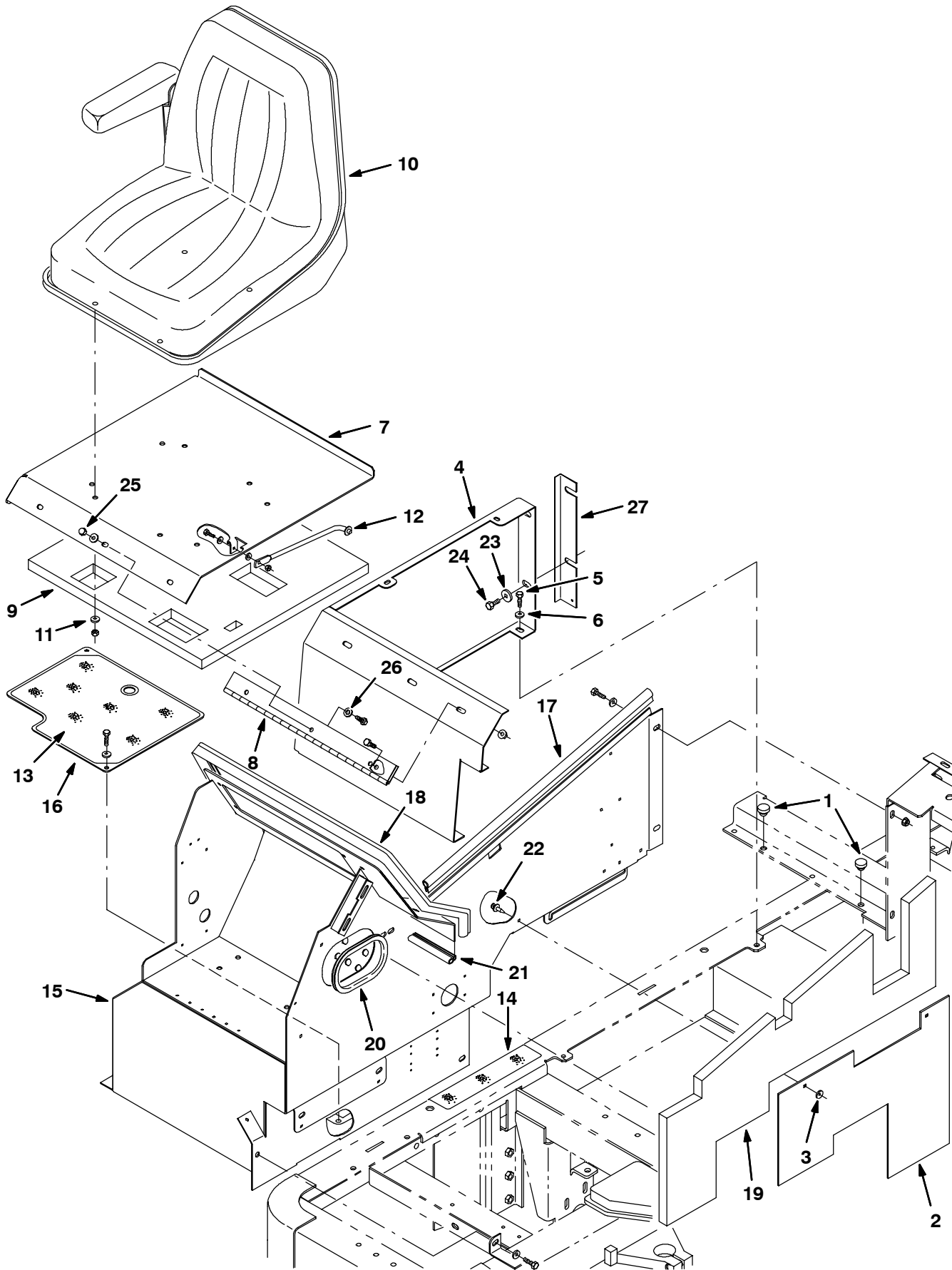


Fig. 5 - Seat and Shroud Group

Ref.	Tennant Part No.	Machine Serial Number	Description	Qty.
1	71891	(000000-) Bumper, Rubber	2
2	71487	(000000-) Skirt, Center	1
3	41178	(000000-) Washer-Flt .25 Fender Pltd	2
4	71962	(000000-) Panel, Seat, Rh	1
5	09010	(000000-) Scr Hexssm 8X1.25 25	3
6	01685	(000000-) Washer Flt .31 Ss	3
7	71963	(000000-) Panel, Seat, Top	1
8	75272	(000000-) Hinge, Seat	1
9	71787	(000000-) Insulation, Acoustic, Seat	1
▽	10 77235	(000000-) Seat, Michigan	1
▲	369810	(000000-) Kit, Replacement, Armrest	1
▲	388134	(000000-) Armrest, Molded	1
11	41186	(000000-) Washer-Belleville .31 Pltd	4
12	54615	(000000-) Rod, Seat	1
13	71790	(000000-) Tread, Floor, 14.2 11.7	1
14	58819	(000000-) Tread, Floor, 11.6 3.0	1
15	25794	(000000-) Panel Assy, Instr W/Label	1
16	71980	(000000-) Plate, Floor	1
17	21638	(000000-) Seal, Bulb, Sd-0168 28.44 Lg	1
18	25678	(000000-) Seal, Bulb, Sd-0504 68.75Lg	1
19	20788	(000000-) Insulation, S/Foam	1
20	87742	(000000-) Molding, Trim 11-14Ga 20.0	1
21	20813	(000000-) Seal, Bulb	1
22	72970	(000000-) Rivet, Plastic .250Dx.898	2
23	13248	(000000-) Washer, .400B 1.12D .12Cr Znc	2
24	12273	(000000-) Scr-Hexss M8X 1.25 20 Nylonloc	2
25	41128	(000000-) Nut-Low Crown .31-18 Pltd	3
26	32984	(000000-) Washer-Loc Int .31 Pltd	3
27	369891	(000000-) Angle, Trim	1

Fig. 6 - Front Hood Group

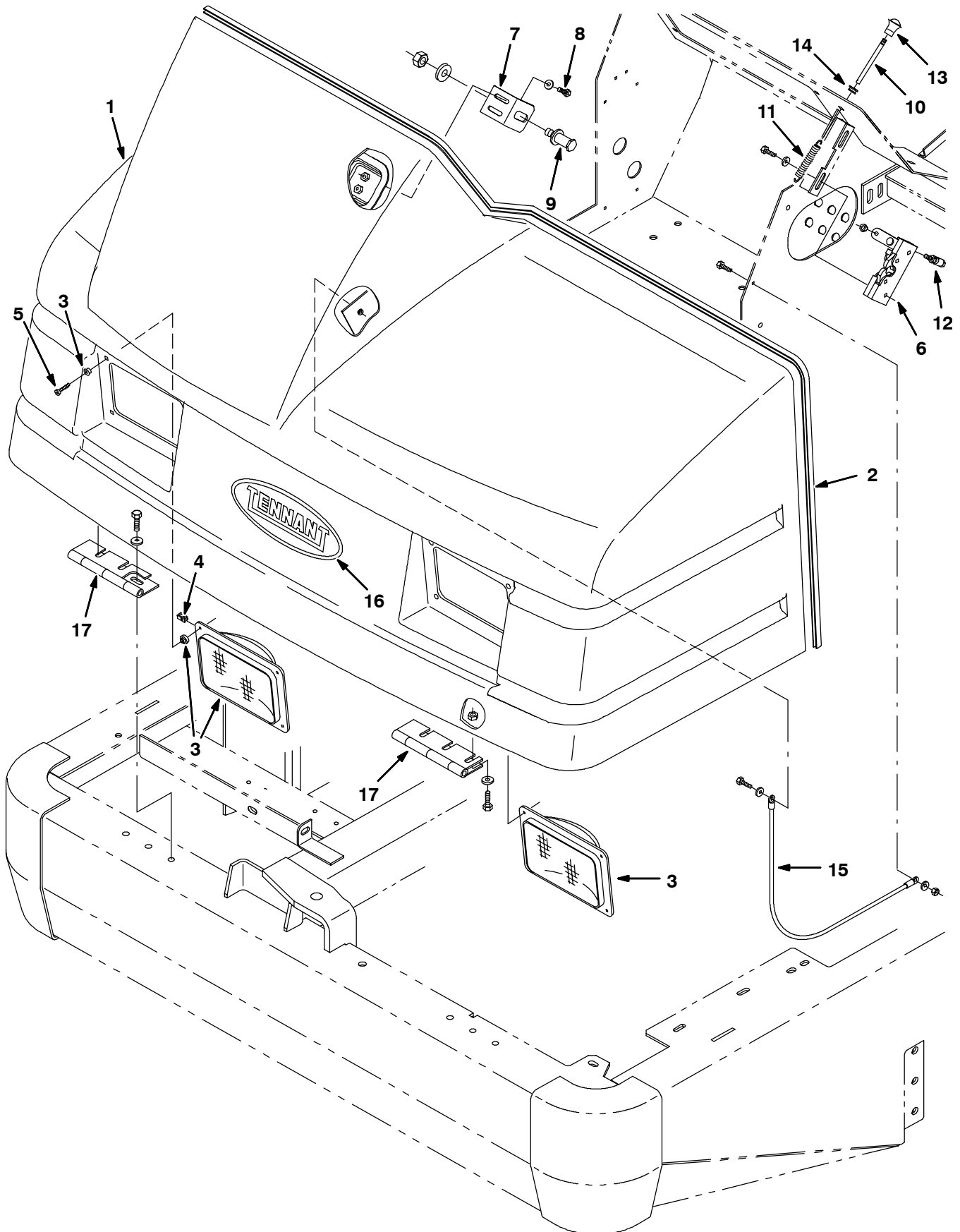


Fig. 6 - Front Hood Group

Ref.	Tennant Part No.	Machine Serial Number	Description	Qty.
1	71205	(000000-) Hood, Front	1
1	71238	(000000-) Hood, Front, Lpg	1
2	71613	(000000-) Molding, Trim 11-14Ga 116.0	1
3	71654	(000000-) Headlight 12V	2
4	21630	(000000-) Nut, U M5 X 0.8	8
5	24196	(000000-) Screw Panssm 5X0.8 20	8
6	21623	(000000-) Latch, Hook	1
7	21628	(000000-) Bracket, Pin	1
8	08716	(000000-) Screw, Hex Ssm 6 X 1.0 20	2
9	59192	(000000-) Latch, Bolt	1
10	21626	(000000-) Rod, Hood Release	1
11	01076	(000000-) Spring, Tens.50Odx.04Wire 2.5L	1
12	47744	(000000-) Swivel Control .250-28.25Dia	1
13	21627	(000000-) Knob, Hood	1
14	63469-3	(000000-) Bearing, Snap-In .38 Id	1
15	71243	(000000-) Cable, Hood	1
16	09806	(000000-) Label, Tennant Logo	1
17	71941	(000000-) Hinge, Hood	2

Fig. 7 - Engine Side Door Group

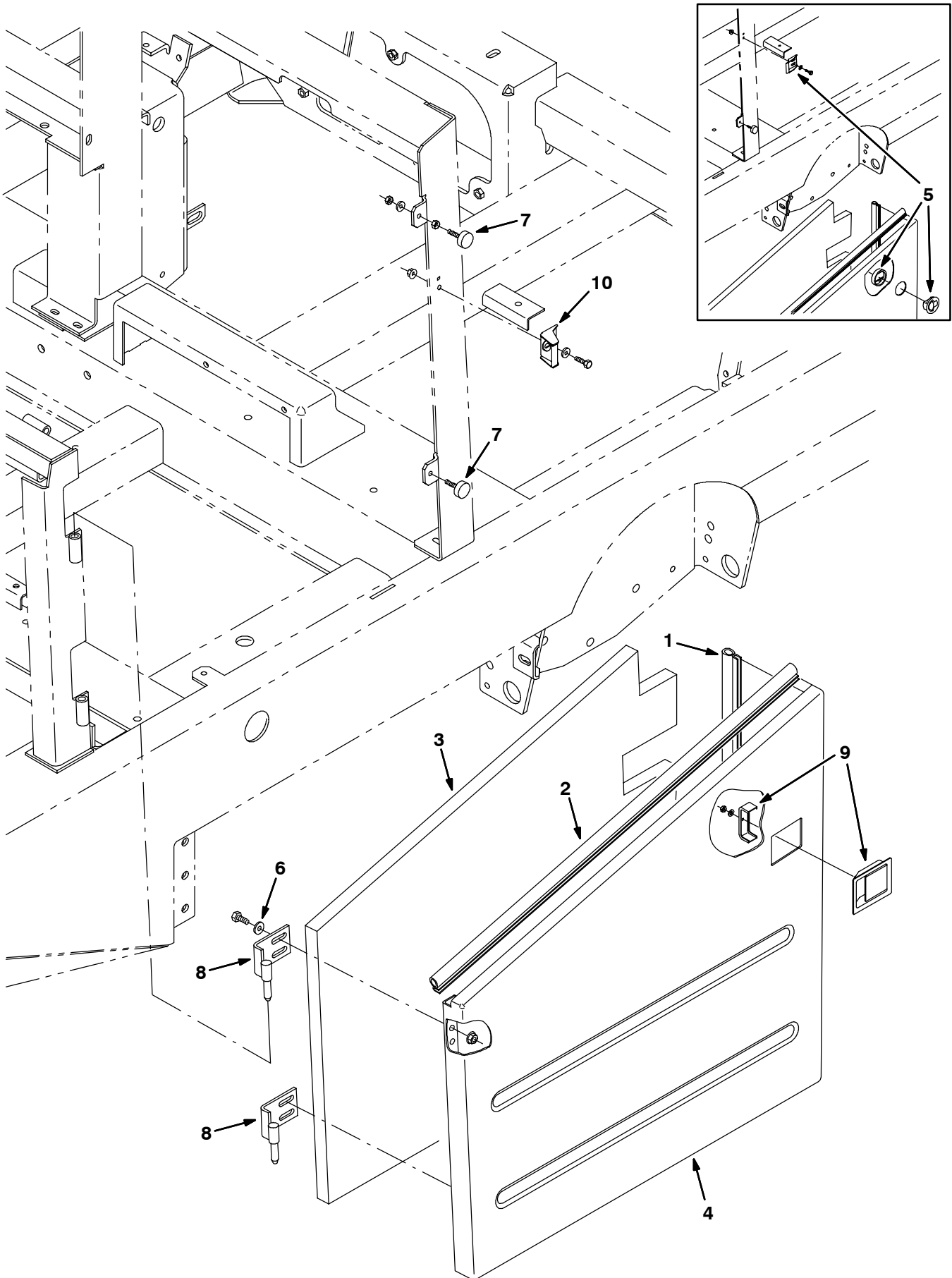


Fig. 7 - Engine Side Door Group

Ref.	Tenant Part No.	Machine Serial Number	Description	Qty.
1	25673	(000000-) Seal, Bulb, Sd-0168 27.75 Lg	1
2	391803	(000000-) Seal, Bulb, Sd-0504 32.50Lg	1
3	20784	(000000-) Insulation, S/Foam	1
4	71927	(000000-) Door, Side, Engine	1
5	20812	(000000-003113) Latch Kit, Door, Engine	1
6	41186	(000000-) Washer-Belleville .31 Pltd	4
7	20802	(000000-) Bumper, Rubber	2
8	71931	(000000-) Bracket Wldt, Hinge	2
9	20822	(003114-) Latch, Door	1
10	20820	(003114-) Bracket, Latch	1

Fig. 8 - Engine Cover Group

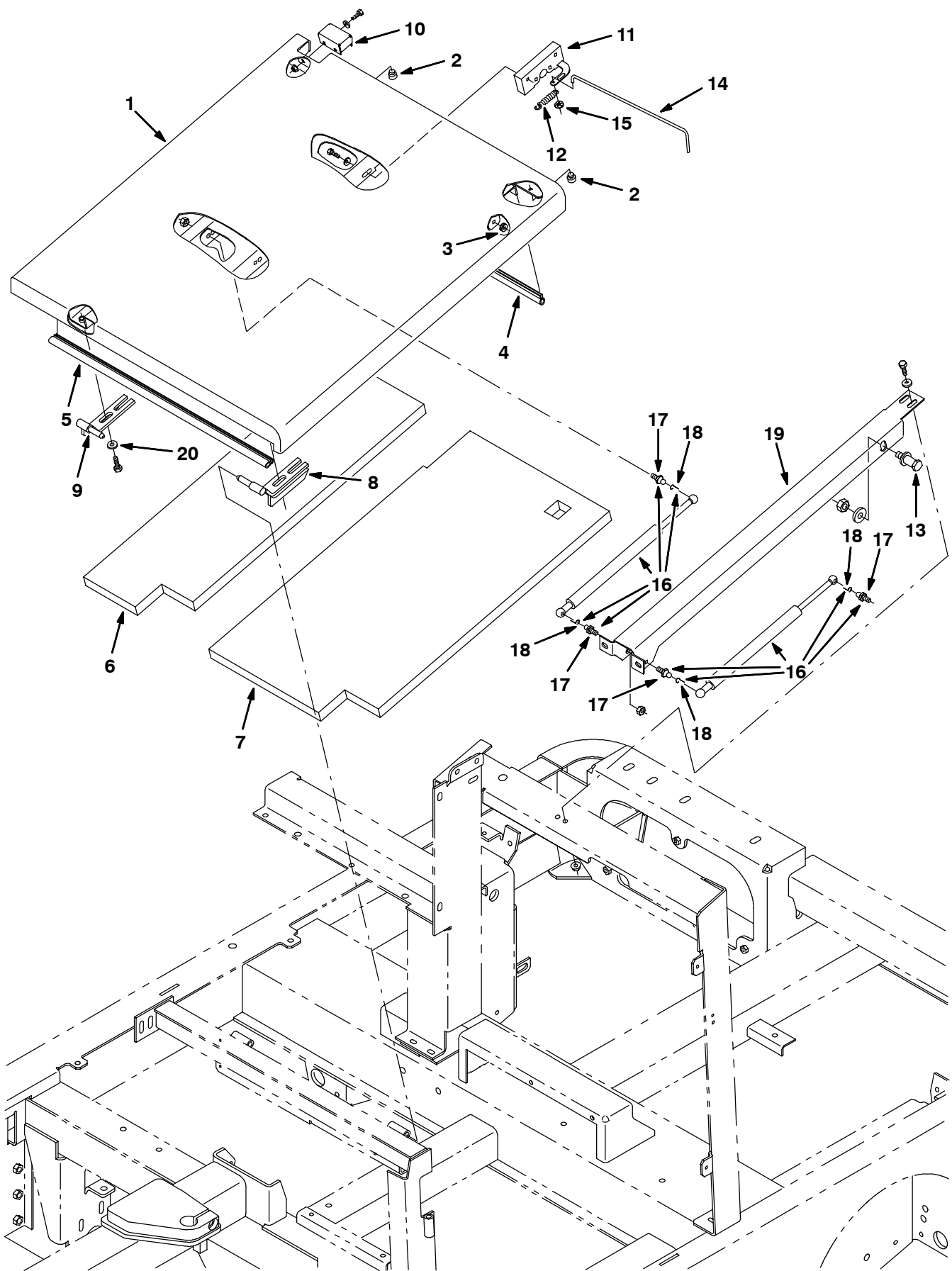


Fig. 8 - Engine Cover Group

Ref.	Tenant Part No.	Machine Serial Number	Description	Qty.
1	20809	(000000-) Cover Assy, Engine Top	1
2	51787	(000000-) Bumper, Rubber	2
3	10632-5	(000000-) Grommet Rbr 0.25Id For .09Matl	1
4	21631	(000000-) Seal, Bulb, Sd-0168 29.25Lg	1
5	25677	(000000-) Seal-Bulb, Sd-0504 24.50Lg	1
6	20782	(000000-) Insulation, S/Foam	1
7	20785	(000000-) Insulation, S/Foam	1
8	71939	(000000-) Bracket Wldt, Hinge, Lh	1
9	71929	(000000-) Bracket Wldt, Hinge, Rh	1
10	71934	(000000-) Cover, Filler Pocket	1
11	59514	(000000-) Latch	1
12	53091	(000000-) Sprng,Tens,0.50Odx.05Wire 1.0L	1
13	59192	(000000-) Latch, Bolt	1
14	71898	(000000-) Rod, Latch, Engine Cover	1
15	21625	(000000-) Clip, Push On .187 Dia	1
▽	16	69906	(000000-) Spring-Gas Assy, Engine Cover	2
▲	17	58494	(000000-) Stud, Ball, Gas Spring	4
▲	18	64595	(000000-) Clip Safety	4
	19	71328	(000000-) Channel, Stiffener, Lintel	1
	20	41186	(000000-) Washer-Belleville .31 Pltd	4

Fig. 9 - Steering Group

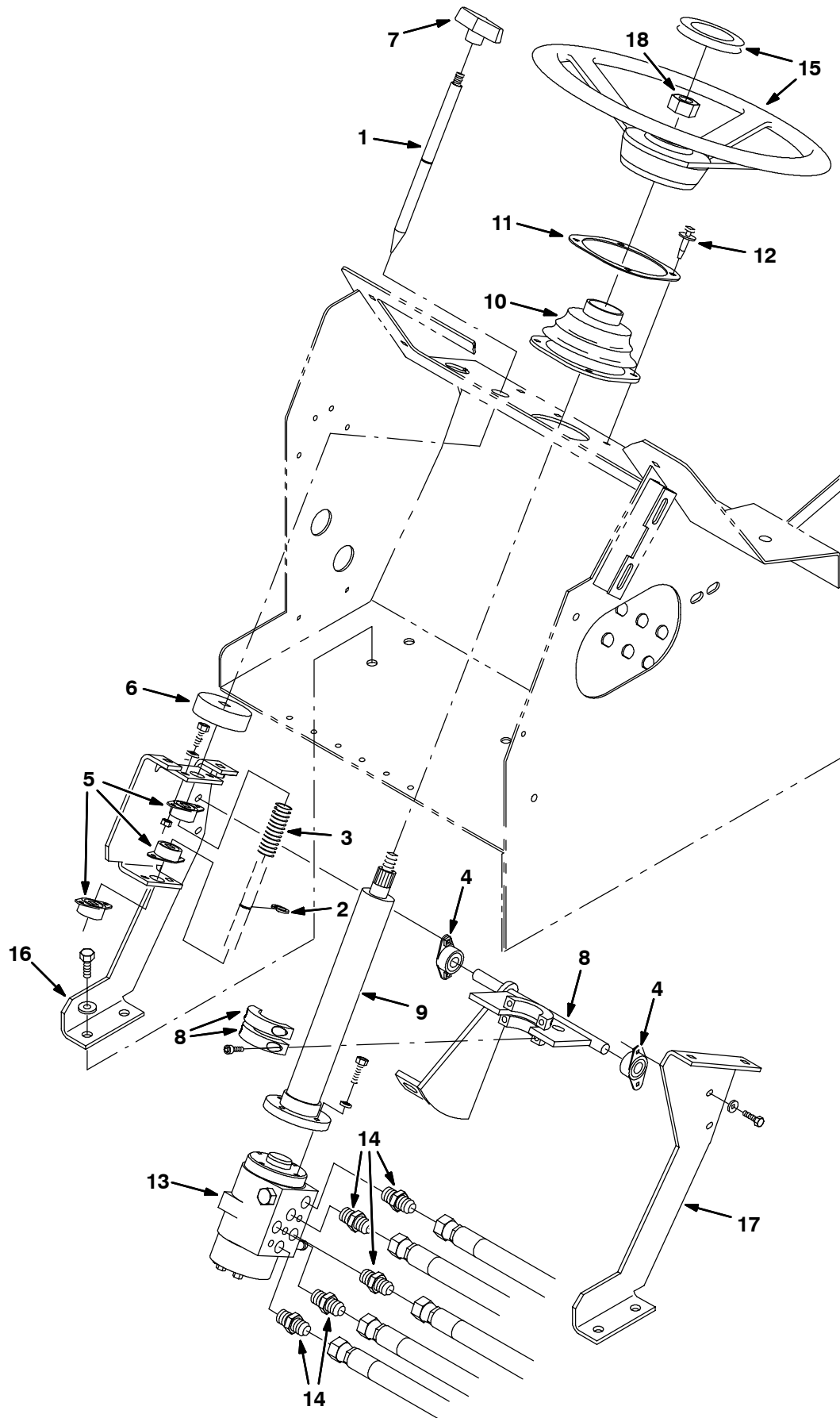


Fig. 9 - Steering Group

Ref.	Tenant Part No.	Machine Serial Number	Description	Qty.
1	64651	(000000-) Rod, Latch, Steering, Tilt	1
2	70717	(000000-) Ring, Retain, Ex0.50Od,Heavydt	1
3	22290	(000000-) Sprng,Comp,0.62ldx.06Wire 2.3L	1
4	70709	(000000-) Bearing, Flange .500B	2
5	47585	(000000-) Bearing-Flange,2 Hole 0.50Bore	3
6	75968	(000000-) Seal, Bearing	1
7	04706	(000000-) Handle Lift Brush	1
8	73027	(000000-) Bracket Wldt, Steering, Tilt	1
9	73061	(000000-) Column, Steering #2 10Lg Wire	1
10	70622	(000000-) Seal, Boot, Steering Column	1
11	70623	(000000-) Plate, Mount, Steering Boot	1
12	72970	(000000-) Rivet, Plastic .250D X .898	4
13	71713	(000000-) Steer Control, Hyd (See Breakdowns)	1
14	56690	(000000-) Ftg-Hyd Str Jm06/Om06	5
15	56398	(000000-) Wheel Steering 14DiAx36T	1
16	71172	(000000-) Panel, Tilt, Rh	1
17	71173	(000000-) Panel, Tilt, Lh	1
18	56185	(000000-) Nut-Hx Jam M20 X 1.5 4 Pltd	1

Fig. 10 - Instrument Panel Assembly

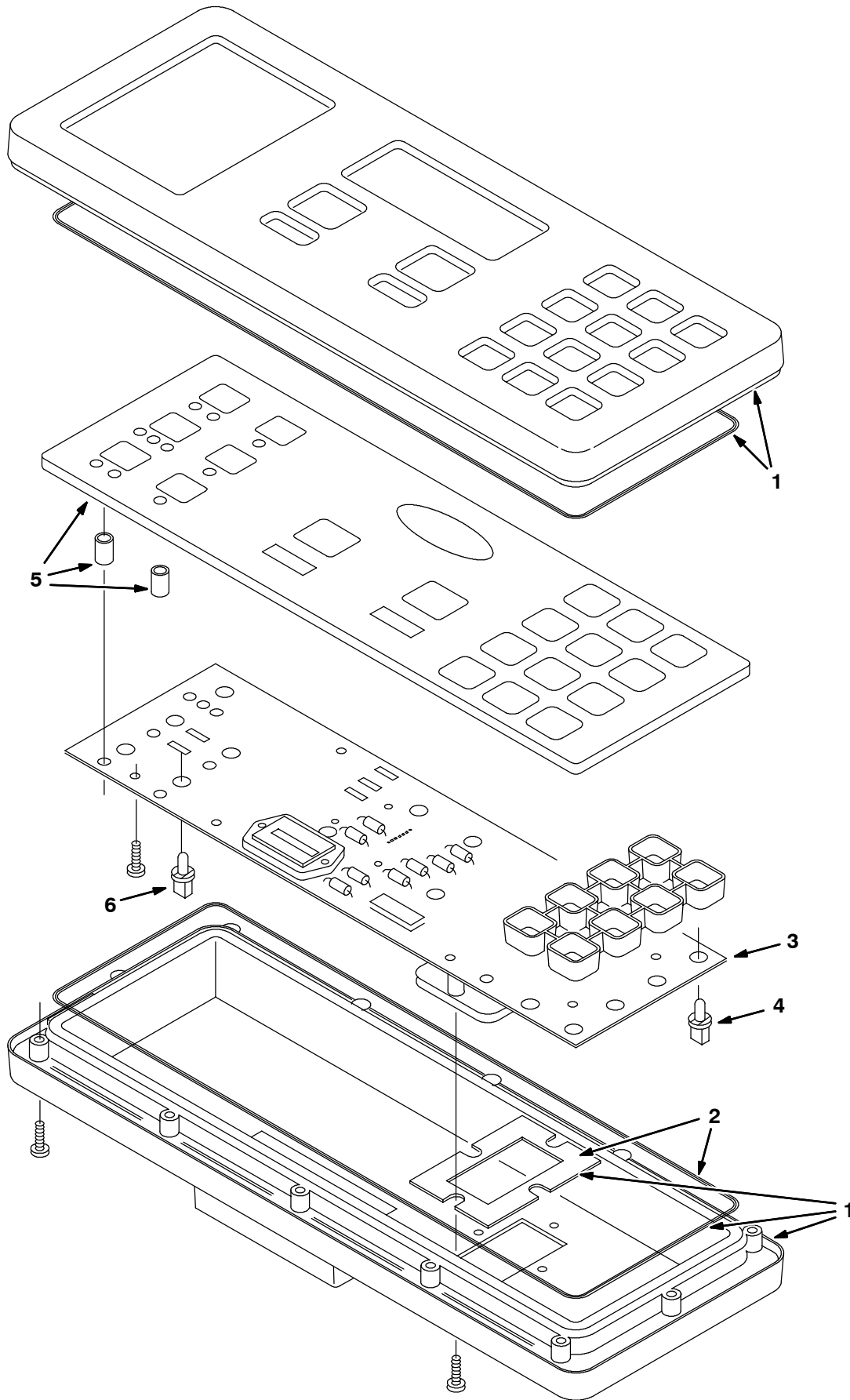


Fig. 10 - Instrument Panel Assembly

	Ref.	Tenant Part No.	Machine Serial Number	Description	Qty.
▽		9003613	(000000-) Replm Kit, Instr.Panel	1
▲	1	59976	(000000-) Replmt Kit, Case	1
▲	2	59977	(000000-) Replmt Kit, Seal,	1
▲	3	71594	(000000-) Replm Kit, Cir Board	1
▲	4	56346	(000000-) Replmt Kit, Lamp, Fault (8)	1
▲	5	9003612	(000000-) Replm Kit, Touch Panel	1
▲	6	59971	(000000-) Replmt Kit, Lamp, Backlighting (8)	2

Fig. 11 - Circuit Breaker and Relay Group

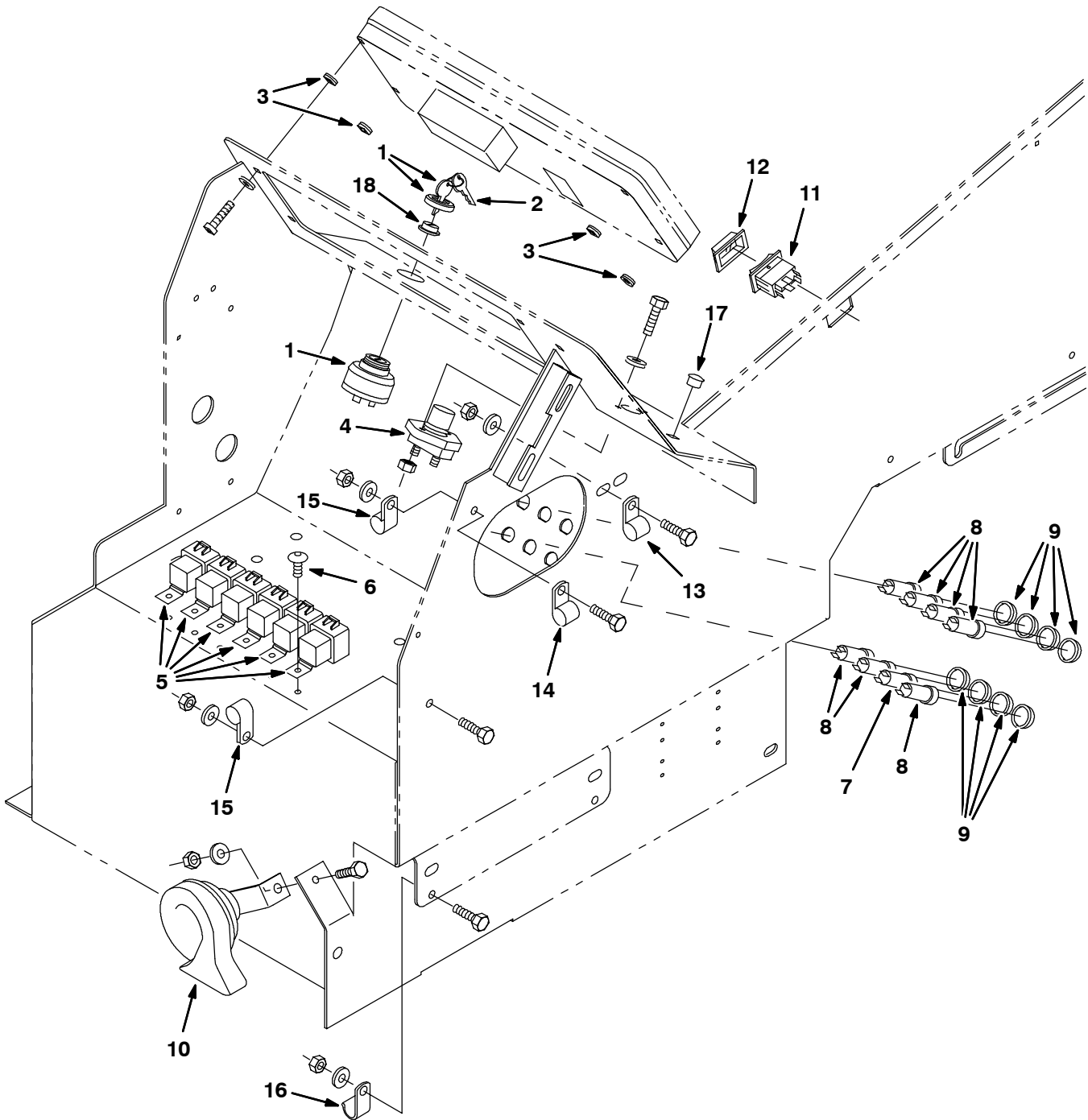


Fig. 11 - Circuit Breaker and Relay Group

	Ref.	Tenant Part No.	Machine Serial Number	Description	Qty.
▽	1	87536	(000000-) Switch Ignition	1
▲	2	87866	(000000-) Key Set,Switch	1
	3	10632-5	(000000-) Grommet Rbr 0.25ld For .09Matl	4
	4	44078	(000000-) Switch, Pushmom, Spst100A 12V	1
	5	56186	(000000-) Relay, Shrouded, 12 Vdc	6
	6	72970	(000000-) Rivet, Plastic .250Dx.898	6
	7	27920	(000000-) Breaker-Curcuit, 5A Resetable	1
	8	57803	(000000-) Breaker-Circuit, 15A Resetable	7
	9	57751	(000000-) Boot,Circuit Breaker	8
	10	369704	(000000-) Horn, 12 Volt	1
	11	71665	(000000-) Switch, Progressive	1
	12	57807	(000000-) Cover, Rocker Switch Seal	1
	13	67767	(000000-) Clamp-Cable,.69Dia. 62Wth	1
	14	40678	(000000-) Clamp,Cable .44D .62Wide	1
	15	69234	(000000-) Clamp-Cable, 1.00Dia. .62Wth	2
	16	30407	(000000-) Clip, Keeper, Open	2
	17	02431	(000000-) Plugbtn .56H .03-.12 Blacknyl	1
	18	382516	(000000-) Boot, Switch	1

Fig. 12 - Engine Group

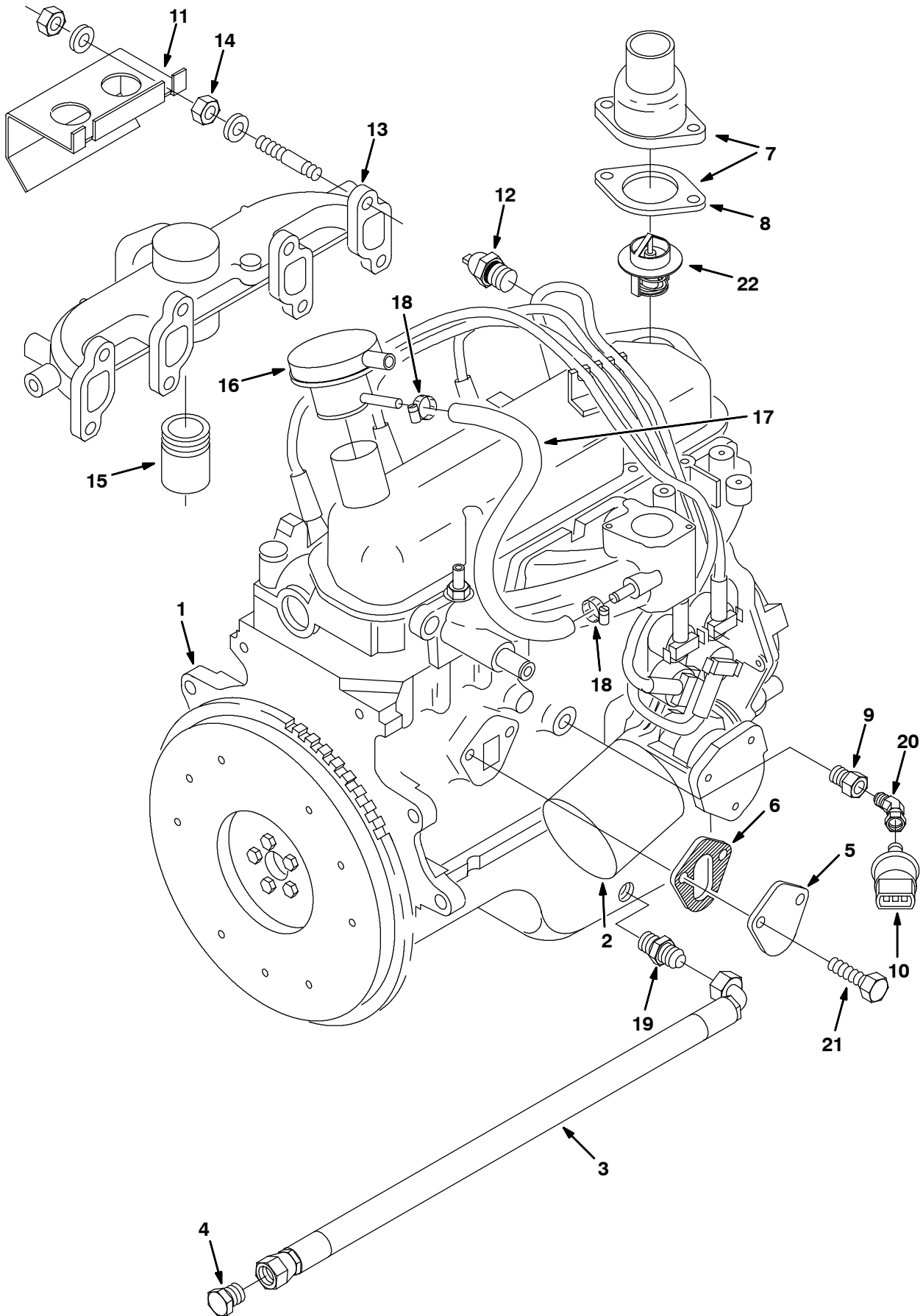


Fig. 12 - Engine Group

Ref.	Tennant Part No.	Machine Serial Number	Description	Qty.
1	30550	(000000-) Engine Assy, Ford, Vsg413 (See Engine Breakdown)	1
2	19205	(000000-) Filter, Engine Oil, Spin-On	1
3	55763	(000000-) Hose-Hyd Low06 Jf/J9	1
4	19747	(000000-) Ftg-Hyd Plg	1
5	71446	(000000-) Cover, Fuel Pump	1
6	02887	(000000-) Gasket, Fuel Pump	1
▽	7 19689	(000000-) Housing, Thermostat W/Gasket	1
▲	8 54911-25	(000000-) Gasket - Thermostat Hsg	1
9	17414	(000000-) Ftg-Hyd Str Pm04/Pf02	1
10	79399	(000000-) Switch, Pressure Oil	1
11	30468	(000000-) Shield Exhaust	1
12	58592	(000000-) Sender-Temperature, Water	1
13	30316	(000000-) Manifold, Exhaust	1
14	08165	(000000-) Nut Hx Stover M 8X1.25	8
15	24013	(000000-) Ftg,Pipe,Nip.Blk1.25PtX2.0Lg L	1
16	10795	(000000-) Cap, Fill, Oil/PCV Breather	1
17	76589-2	(000000-) Hose Rbr,0.38 Id, 10	1
18	43844	(000000-) Clamp-Wormdrive, 0.25- 0.62D	2
19	19200	(000000-) Ftg-Hyd Str Metric	1
20	32376	(000000-) Ftg-Hyd E45 Pm02/Pf02	1
21	71447	(000000-) Bolt	2
22	37327	(000000-) Thermostat, 180 Degree	1

Fig. 13 - Engine Mount Group

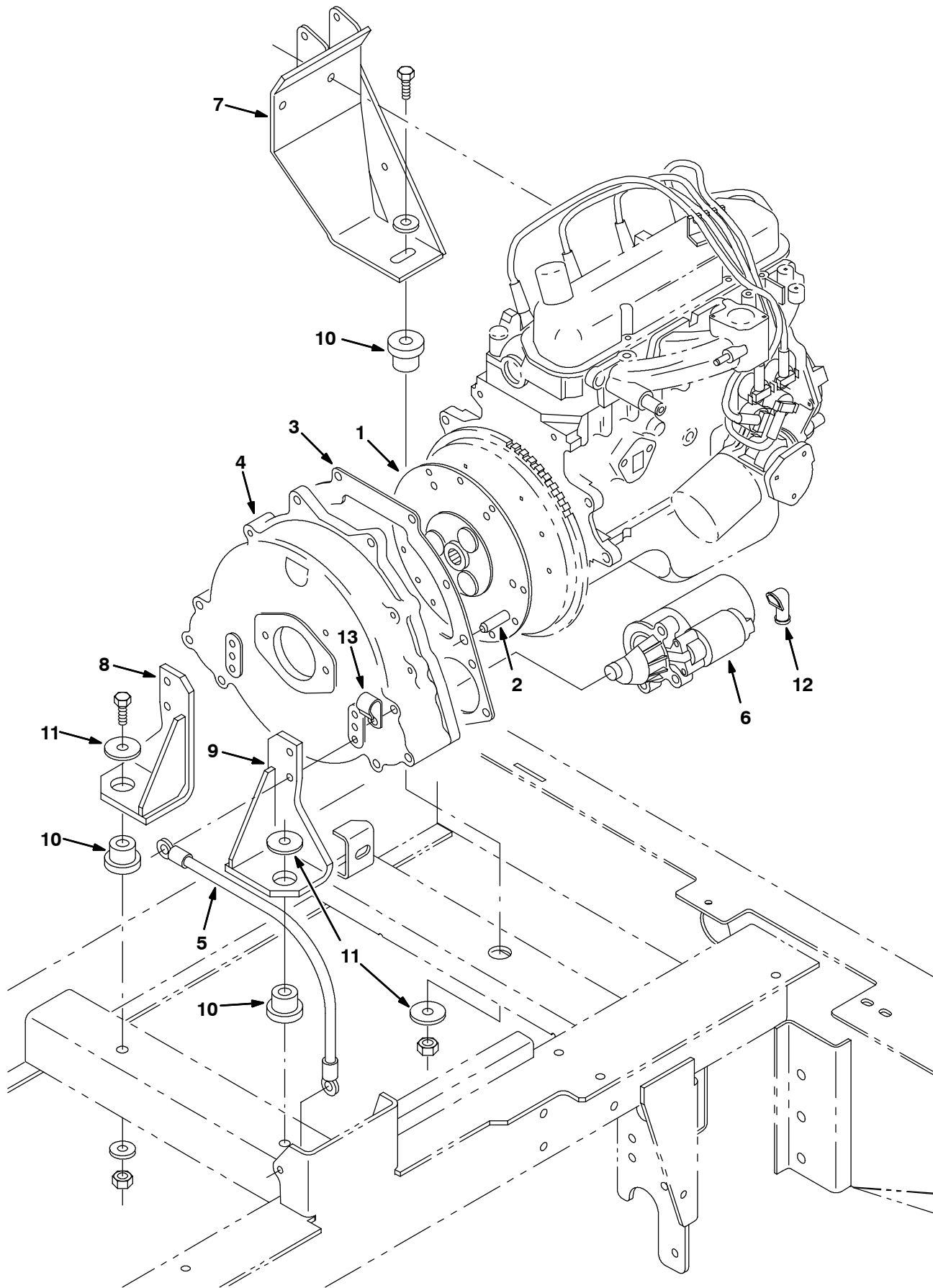


Fig. 13 - Engine Mount Group

Ref.	Tennant Part No.	Machine Serial Number	Description	Qty.
1	19252	(000000-) Coupling Assy, Flywheel	1
2	54911-16	(000000-) Dowel,Cyl.Block To Flywhl.Hsg.	2
3	55859	(000000-003071) Ring, Locating, Starter	1
3	70262	(003072-) Ring, Locating, Starter	1
4	84604	(000000-003071) Replm Kit, Housing	1
4	70263	(003072-) Housing, Flywheel	1
5	57773	(000000-) Wire Ass'y-Elect.,Ground	1
6	84588	(000000-003071) Replm Kit, Starter	1
6	70239	(003072-005885) Starter, Ford 1.8 Hp	1
6	392525	(005886-) Starter, 12Vdc	1
7	374513	(000000-) Bracket Wldt, Engine	1
8	57755	(000000-) Bracket, Mounting,Eng, Rear Rh	1
9	57754	(000000-) Bracket, Mounting, Eng,Rear,Lh	1
10	51176	(000000-) Dampner, Engine	3
11	04414	(000000-) Washer, .531B 1.88D .12Hard Zn	6
12	02076	(000000-) Boot, 90Deg .50D .57X .84	1
13	30407	(000000-) Clip, Keeper, Open	1

Fig. 14 - Carburetor Group, Gasoline

Ref.	Tennant Part No.	Machine Serial Number	Description	Qty.
1	59935	(000000-) Plate, Governor	2
2	74443	(000000-) Gasket, Carb To Engine	1
3	33951	(000000-) Screw Soc M 6X1.0	2
4	24924	(000000-) Washer, .281B .62D .06Nylon	1
5	16738	(000000-) Gasket, Carburetor Air Horn	1
6	57934	(000000-) Adaptor, Elbow, Carb, Gas	1
7	47313A	(000000-) Cable Assy,Choke 67.00Lg	1
8	58846	(000000-) Spring, Compression,24DiaX1.75	1
9	30305	(000000-005503) Control Assy, Ignition	1
10	39780-1	(000000-) Hose, Vacuum,.16Id X 28.0Lg	1
11	55195	(000000-) Hose, Molded .38Id X .75Od	1
12	43844	(000000-) Clamp, Wormdrive	1
13	86824	(000000-) Clamp-Wormdrive 0.50-1.06D	4
14	31543	(000000-) Hose Heater	1
15	10632-7	(000000-) Grommet,Rbr,0.25Id,For .25Matl	1
▽	374639	(000000-) Governor Assy, Gas 1.1/1.3	1
▲▽	374638	(000000-) Governor, Gas 1.1/1.3	1
▲▲	16 11984	(000000-) Ftg, EI90 Npt/02Pf-02Pm	1
▲▲	17 36050	(000000-) Filter, Fuel	1
▲▲	18 83849	(000000-) Actuator, Rh	1
▲▲	19 83682	(000000-) Bracket	1
▲▲	20 374637	(000000-) Carburetor, Zenith	1
▲▲	02738	(000000-) Carb Repair Kit	1
▲▲	21 83684	(000000-) Linkage Kit	1
▲▲	22 83685	(000000-) Strap, Mounting, Actuator	1
▲▲	23 74443	(000000-) Gasket, Carb To Engine	1
▲▲	24 374127	(005819-) Kit, Replmt, Control, Govnr, (All Purps)	1
▽	24 71437	(005818-) Control Unit (Replaced by 374127)	1
▲	374625	(005818-) Plug, Control Box	2
	25 83578	(000000-) Tube, Air Bleed	1
	26 83580	(000000-) Fitting, Brass Drain Cock	1
	27 54333	(000000-) Clamp, Hose, Wormdrive, 0.31-0.88d	1
	28 375412	(005504-) Module, Control, Ignition	1
	29 375414	(005504-) Bracket, Sensor, Map	1
	30 375413	(005504-) Sensor, Map	1
	31 382726	(005504-) Screw, Pan, M06x1.0 X 25, 4.8	3
	32 06945	(005504-) Screw, Hex, M06 X 1.0 X 30, 8.8	2
	33 19066	(005504-) Washer, Flt, #10	2
	34 08708	(005504-) Nut, Hex, Lock, M06 X 1.0, NI	5

Fig. 15 - Carburetor Group, LPG

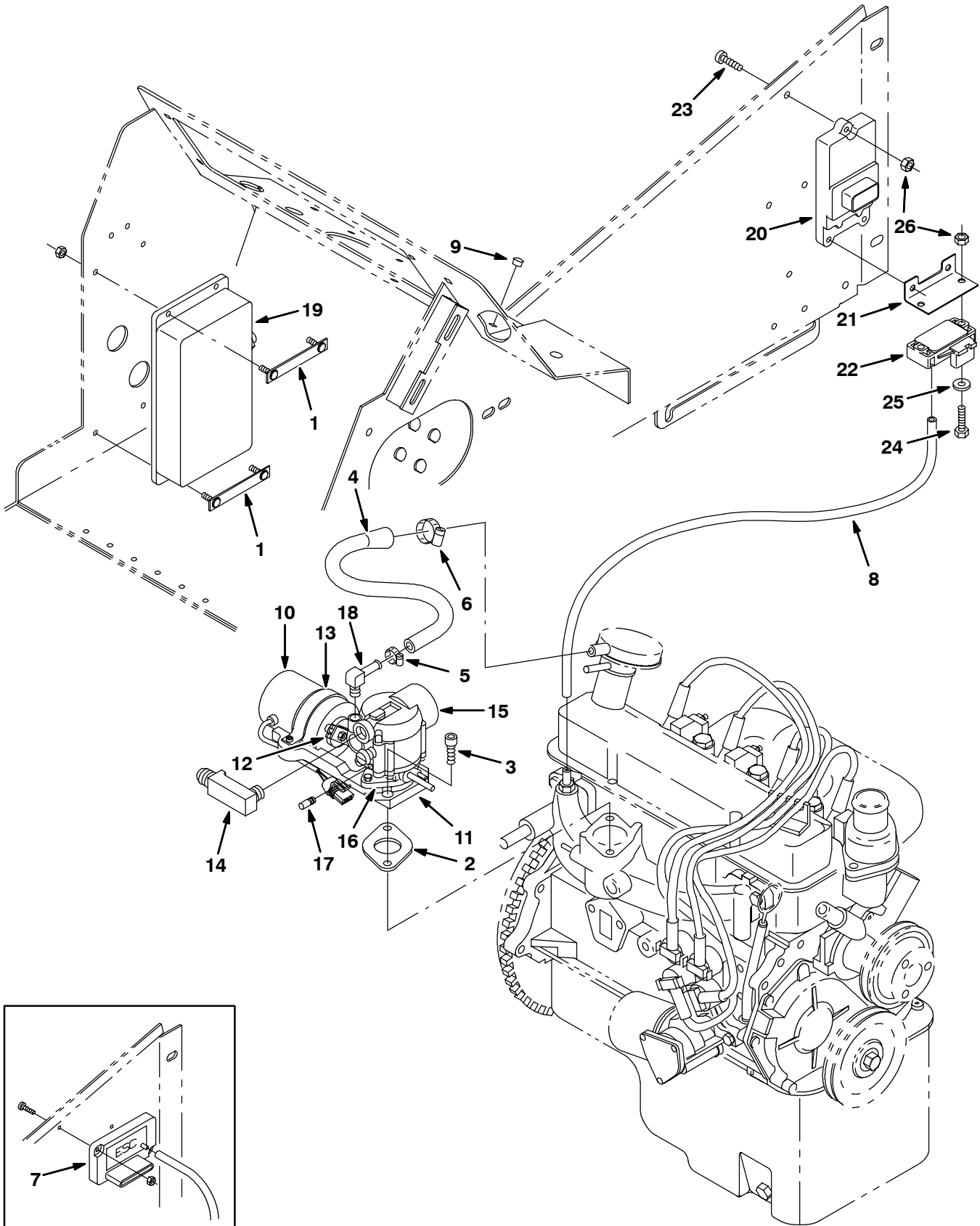


Fig. 15 - Carburetor Group, LPG

Ref.	Tennant Part No.	Machine Serial Number	Description	Qty.
1	59935	(000000-) Plate, Governor	2
2	74443	(000000-) Gasket, Carb To Engine	1
3	33951	(000000-) Screw Soc M 6X1.0	2
4	55195	(000000-) Hose, Molded .38ld X .75Od	1
5	43844	(000000-) Clamp, Wormdrive	1
6	63810	(000000-) Clamp-Wormdrive, 0.56- 1.06D	1
7	30305	(000000-005503) Control Assy, Ignition	1
8	39780-1	(000000-) Hose, Vacuum,.16ld X 28.0Lg	1
9	01314	(000000-) Plugbtn .38H .03-.12 Blacknyl	1
▽	71436	(000000-) Governor Assy, Lpg 1.1/1.3	1
▲▽	71444	(000000-) Governor, Lpg 1.1/1.3	1
▲▲	10 83849	(000000-) Actuator, Rh	1
▲▲	11 83682	(000000-) Bracket	1
▲▲	12 83684	(000000-) Linkage Kit	1
▲▲	13 83685	(000000-) Strap, Mounting, Actuator	1
▲▲	14 84641	(000000-) Ftg-Hyd E90 Special Pm06/Jm08	1
▲▽	15 73017	(000000-) Carburetor, Lpg W/Gasket	1
▲▲	16 74443	(000000-) Gasket, Carb To Engine	1
▲▲	17 74402	(000000-) Fitting, Special, Carb	1
▲▲	18 53029	(000000-) Ftg-Brs E90 Bm05/Pm02	1
19	374127	(005819-) Kit, Replmt, Control, Govnr, (All Purps)	1
▽	19 71437	(005818-) Control Unit (Replaced by 374127)	1
▲	374625	(005818-) Plug, Control Box	2
20	375412	(005504-) Module, Control, Ignition	1
21	375414	(005504-) Bracket, Sensor, Map	1
22	375413	(005504-) Sensor, Map	1
23	382726	(005504-) Screw, Pan, M06x1.0 X 25, 4.8	3
24	06945	(005504-) Screw, Hex, M06 X 1.0 X 30, 8.8	2
25	19066	(005504-) Washer, Flt, #10	2
26	08708	(005504-) Nut, Hex, Lock, M06 X 1.0, NI	5

Fig. 16 - Vaporizer Group, LPG

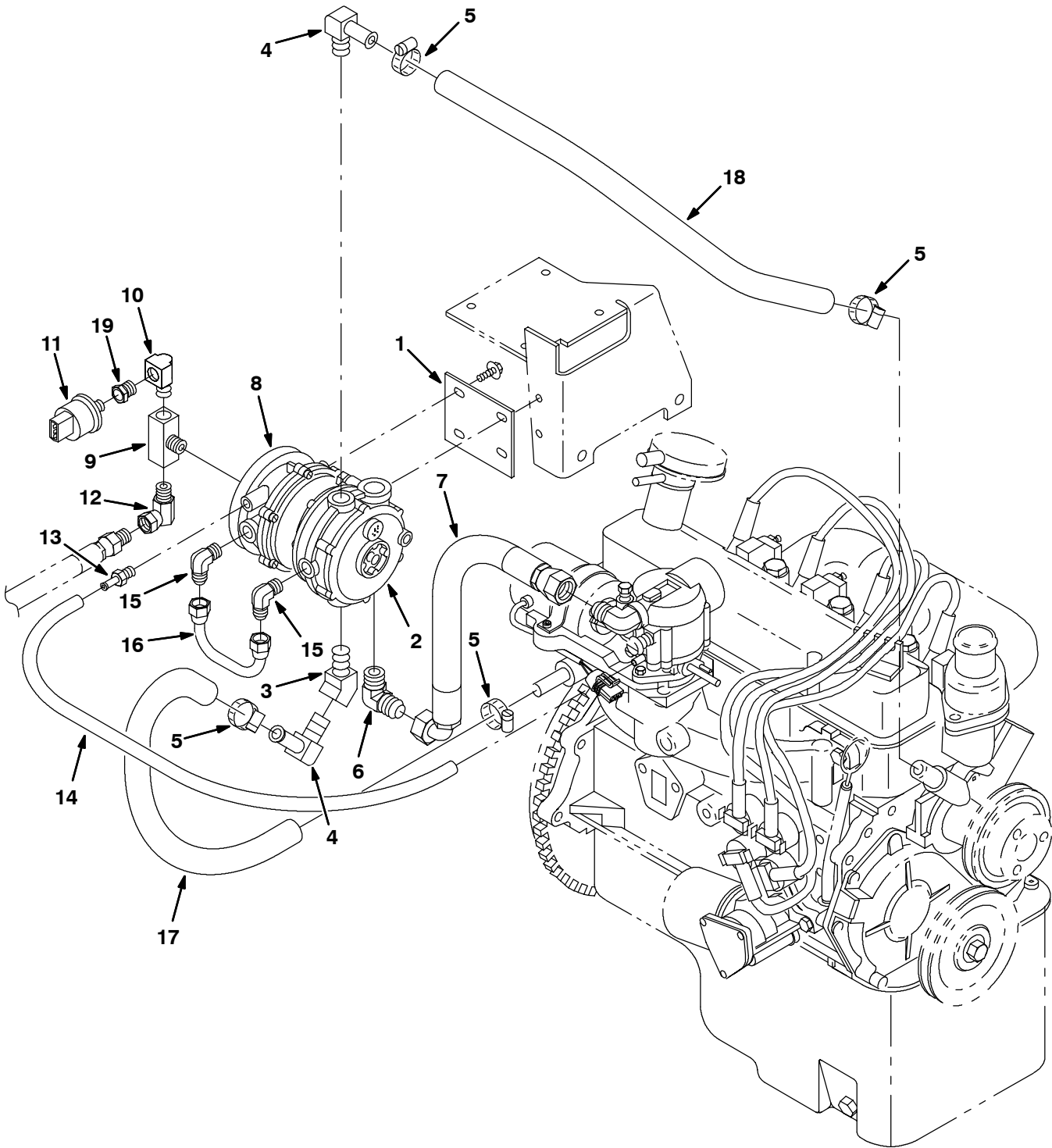


Fig. 16 - Vaporizer Group, LPG

Ref.	Tenant Part No.	Machine Serial Number	Description	Qty.
1	59809	(000000-) Bracket, Mounting, Vaporizer	1
▽	2 374648	(000000-) Vaporizer, Lpg	1
▲	374649	(000000-) Vaporizer Repair Kit	1
▲	374532	(000000-) Hi Alt Vaprzr Spring	1
3	01997	(000000-) Ftg-Hyd Brass Npt/Npt 06Pm/06P	1
4	51839	(000000-) Ftg-Brs E90 Bm10/Pm06	2
5	63810	(000000-) Clamp-Wormdrive, 0.56- 1.06D	4
6	07598	(000000-) Ftg-Brs E90 Pm08/Sm08	1
7	79422	(000000-) Hose, Lpg, 8Lpg X 15.0Lg	1
▽	8 73020	(000000-) Filter, Fuellockoff, Lpg	1
▲	65527	(000000-) Fuelock Repair Kit	1
9	53268	(000000-) Ftg,Brass Tee 04Pf- 04Pm- 04Pf	1
10	27048	(000000-) Fitting, El 90Npt/Npt 04Pf-	1
11	23156	(000000-) Switch, Pressure, Lpg	1
12	11442-1	(000000-) Ftg-El90 Npt/Npt S04Pf-04Pm	1
13	40607	(000000-) Ftg,Brass,St Bm03/Pm02	1
14	07464	(000000-) Hose, Vacuum,.16ld X 19.0Lg	1
15	52424	(000000-) Ftg-Hyd E90 Pm04/Jm06	2
16	59808	(000000-) Fuelline, .375 Od	1
17	71425	(000000-) Hose-Heater, .62ld 6.2L110E	1
18	31543	(000000-) Hose Heater	1
19	17414	(000000-) Ftg-Hyd St Pm04/Pf02	1

Fig. 17 - Air Cleaner Group

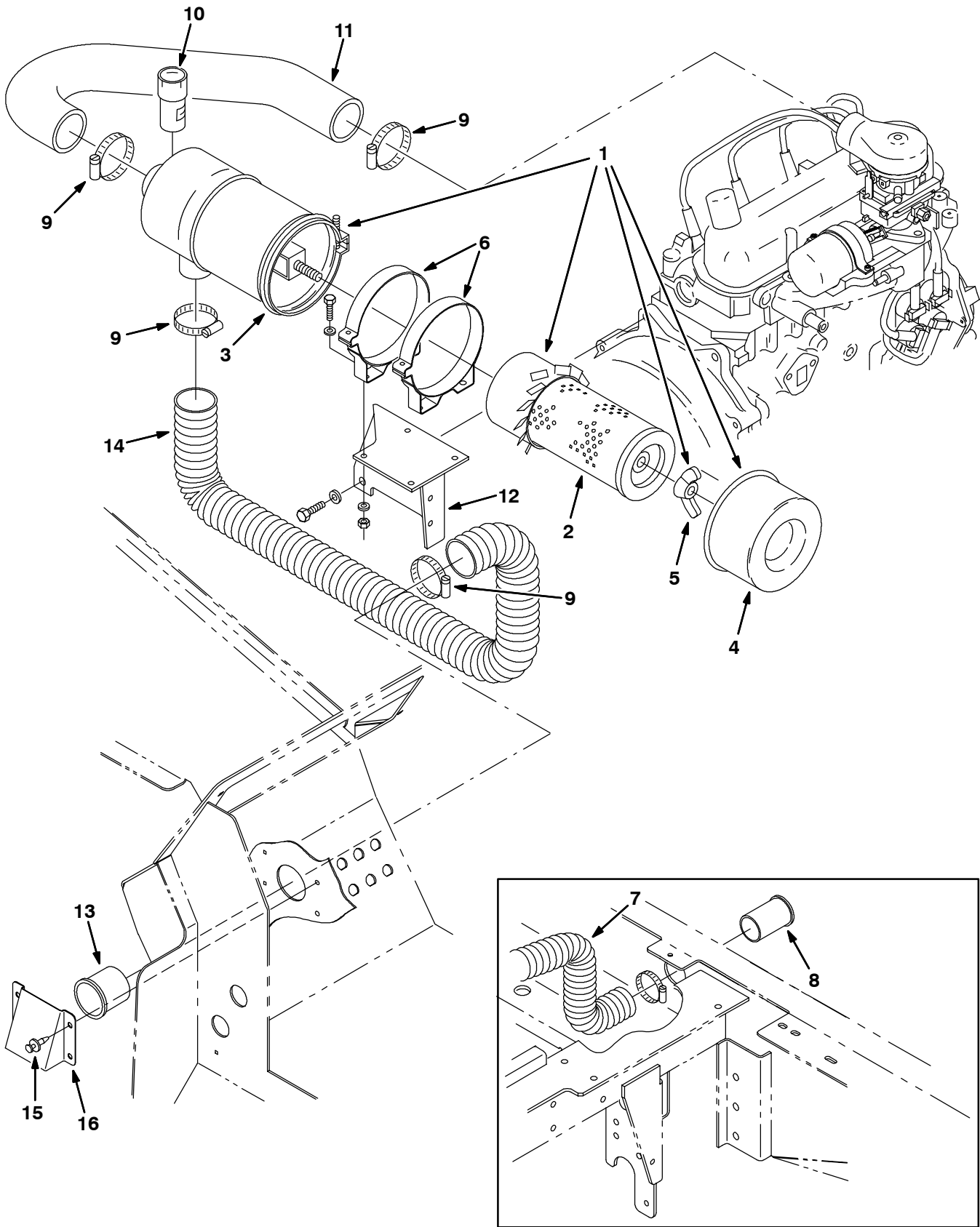


Fig. 17 - Air Cleaner Group

	Ref.	Tennant Part No.	Machine Serial Number	Description	Qty.
▽	1	58538	(000000-) Air Cleaner	1
▲	2	58120	(000000-) Filter Element, Air	1
▲	3	02740	(000000-) Clamp Assy	1
▲	4	02741	(000000-) Cup Assy	1
▲	5	07562	(000000-) Nut,Wing .44-20 Special	1
	6	51560-3	(000000-) Clamp,Mounting,Cyclopac Aircl.	2
	7	71418	(000000-003961) Hose, Air Cleaner, Outlet	1
	8	71488	(000000-003961) Tube, Air Intake	1
	9	14432	(000000-) Clamp-Wormdrive, 1.81- 2.75D	4
	10	03026	(000000-) Indicator Service Air Filter	1
	11	31524	(000000-) Hose, Molded, Air Intake	1
	12	53783	(000000-) Bracket, Mounting, Air Cleaner	1
	13	58346	(003962-) Tube-Carb, Air Intake	1
	14	364845	(003962-) Hose, Air Intake, Flex	1
	15	72970	(003962-) Rivet, Plastic .250D X .898	4
	16	20903	(003962-) Guard, Intake	1

Fig. 18 - Alternator Group

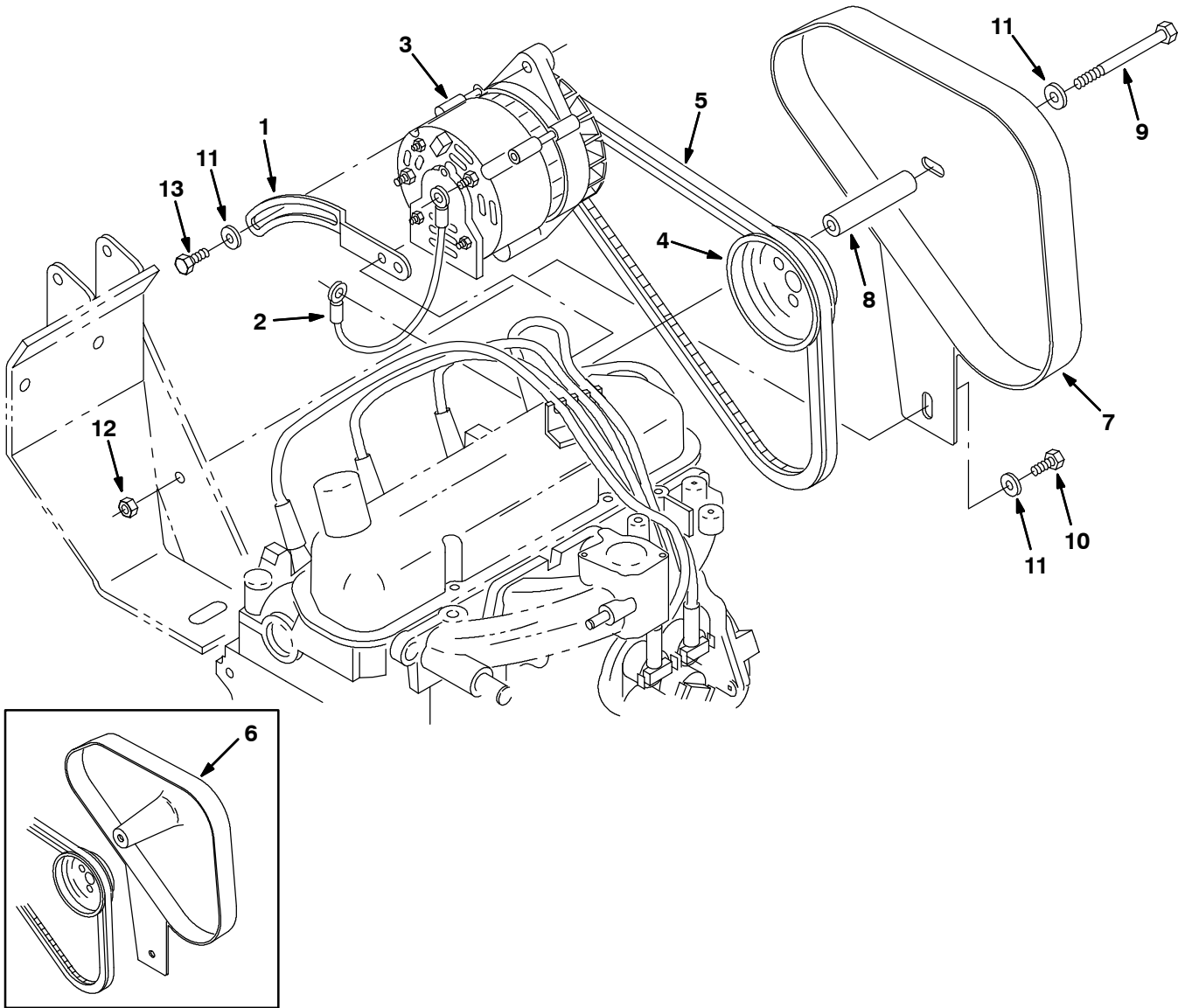


Fig. 18 - Alternator Group

Ref.	Tennant Part No.	Machine Serial Number	Description	Qty.
1	31526	(000000-) Arm Alternator	1
2	82731	(000000-) Wire-Ground, Alternator	1
▽ 3	60559	(000000-) Alternator, 50A/12V Mando	1
▲	61931	(000000-) Regulator	1
▲	86041	(000000-) Bearing,Ball.669B 1.575D .472W	1
▲	61529	(000000-) Brush Kit	1
▲	61531	(000000-) Rectifier	1
▲	70160	(000000-) Pulley, Alternator	1
4	30553	(000000-) Sheave	1
5	58323	(000000-003312) Belt, V Hc41X 33	1
5	374516	(003313-) Belt, V Hc41X 32.5L	1
6	369805	(000000-004033) Shield, Belt Replmt Kit	1
7	369803	(004034-) Shield, Belt	1
8	369804	(004034-) Tube, 0.75D 0.38B 3.5L Stl	1
9	49883	(004034-) Scr-Hex M8 X 1.25 120	1
10	39277	(004034-) Screw, Hex, M08 X 1.25 X 25, 8.8	1
11	32491	(004034-) Washer, Flt, .31 Std	3
12	08709	(004034-) Nut, Hex, Lock, M08 X 1.25,NI	1
13	16931	(004034-) Screw, Hex, M08 X 1.25 X 20, 8.8	1

Fig. 19 - Muffler Group

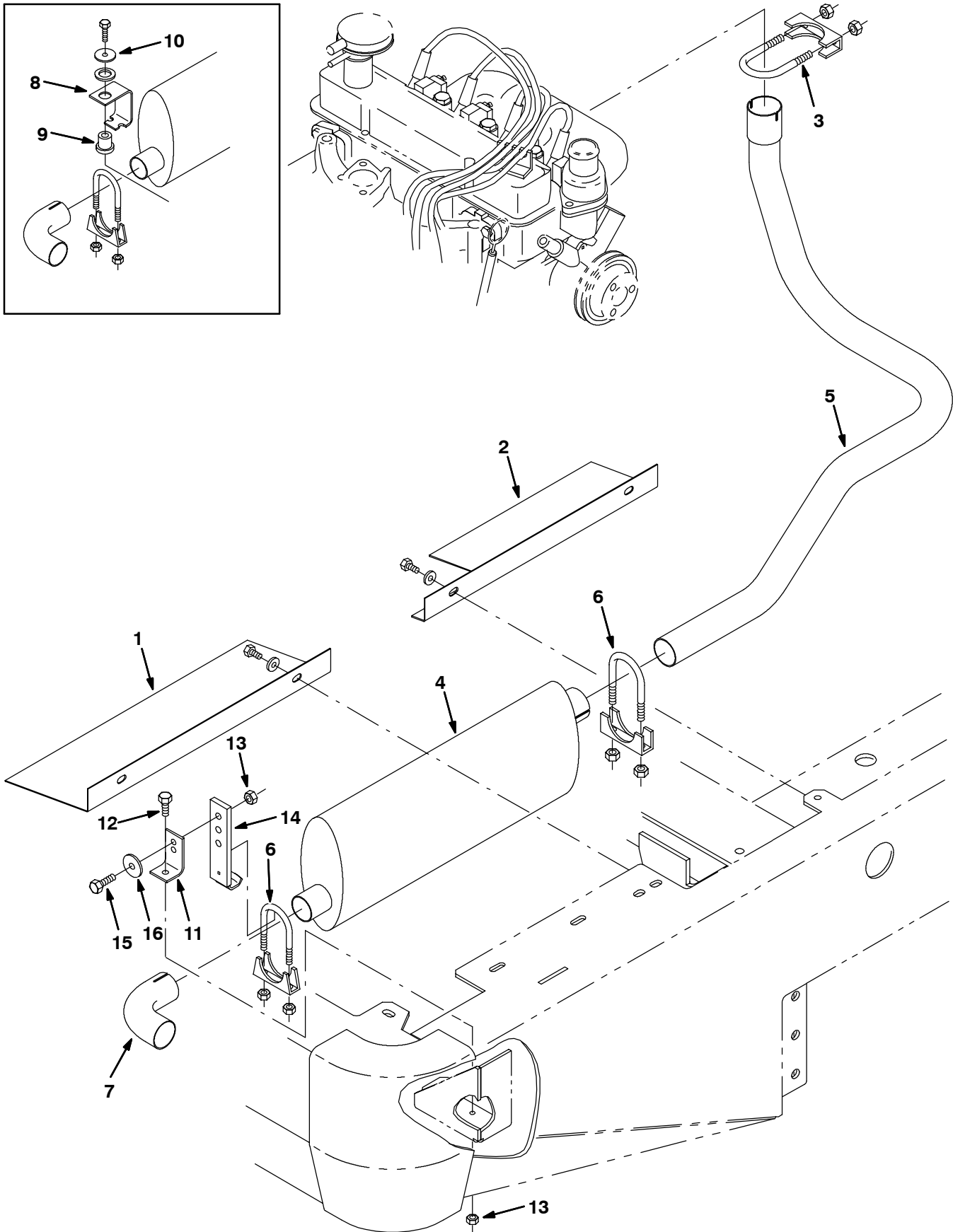


Fig. 19 - Muffler Group

Ref.	Tennant Part No.	Machine Serial Number	Description	Qty.
1	71485	(000000-) Bracket, Muffler, Shield	1
2	71486	(000000-) Bracket, Shield	1
3	84579	(000000-) Clamp, Muffler, Tube, 1.75 Dia	1
4	33333	(000000-) Muffler-Exh, Ovl, To 112Cu Eng	1
5	71407	(000000-) Tube, Exhaust, G & Lpg	1
6	24012	(000000-) Clamp-Muffler,For 1.62 Od Tube	2
7	33329	(000000-) Tailpipe, Muffler	1
8	374677	(000000-004962) Repl Kit, Muffler F/70214	1
9	54274	(000000-004962) Isolator-Vibration,125Lb.Ratng	1
10	30013	(000000-004962) Washer-Flt .31 Fender Pltd	1
11	374676	(004963-) Angle, Muffler Hanger	1
12	16931	(004963-) Screw, Hex, M08 X 1.25 X 20	1
13	08709	(004963-) Nut, Hex, M08 X 1.25	2
14	374691	(004963-) Strap, Muffler Hanger	1
15	39277	(004963-) Screw, Hex, M08 X 1.25 X 25	1
16	30013	(004963-) Washer, Flat, .31 Fender	1

Fig. 20 - Fuel Tank Group, Gasoline

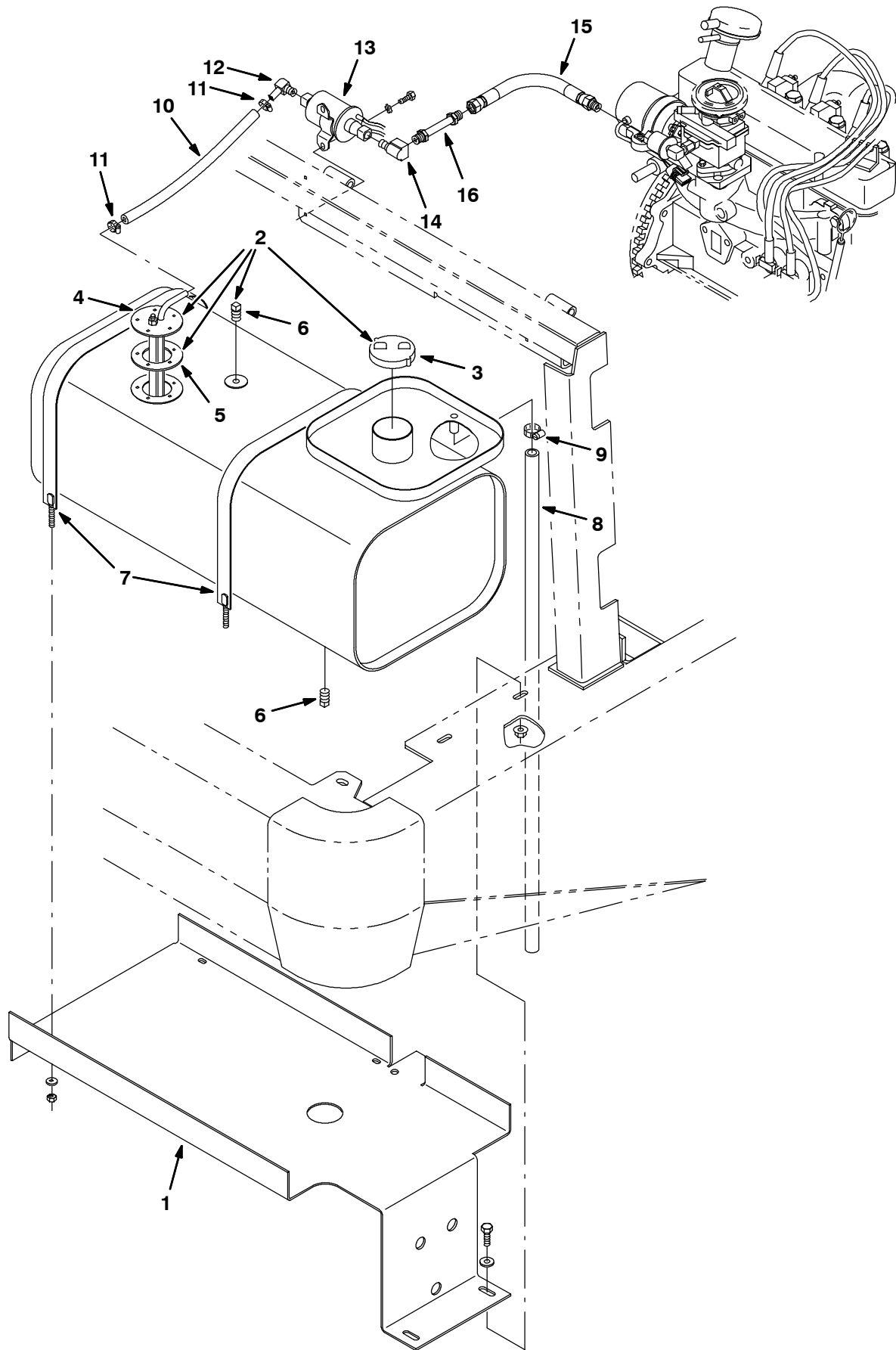


Fig. 20 - Fuel Tank Group, Gasoline

Ref.	Tenant Part No.	Machine Serial Number	Description	Qty.
1	71403	(000000-) Tray, Gas Tank	1
▽ 2	71430	(000000-) Tank, Fuel	1
▲ 3	48267	(000000-) Cap, Fuel	1
▲ 4	71432	(000000-) Sending Unit Tc	1
▲ 5	14131	(000000-) Gasket, 2.7D 1.5B.12T 5/ 2.1Bc	1
▲ 6	48126	(000000-) Ftg-Plug Npt 02Pm Sq Hd	2
7	71416	(000000-) Strap Wldt, Tank.06Tx1.0W 31.9	2
8	71427	(000000-) Hose, Fuel, 0.50 Id 34.0L	1
9	54333	(000000-) Clamp-Wormdrive, 0.31- 0.88D	1
10	82510	(000000-) Hose, Fuel Line .31 Idx14.0	1
11	43844	(000000-) Clamp-Wormdrive, 0.25- 0.62D	2
12	53029	(000000-) Ftg-Brs E90 Bm05/Pm02	1
13	59015	(000000-) Pump, Fuel	1
14	15555-1	(000000-) Ftg-Brs E90 If05/Pm02	1
15	70173	(000000-) Hose, Fuelline, 10.0L	1
16	71454	(000000-) Tube, Fuelline, Gas	1

Fig. 21 - Fuel Tank Group, LPG

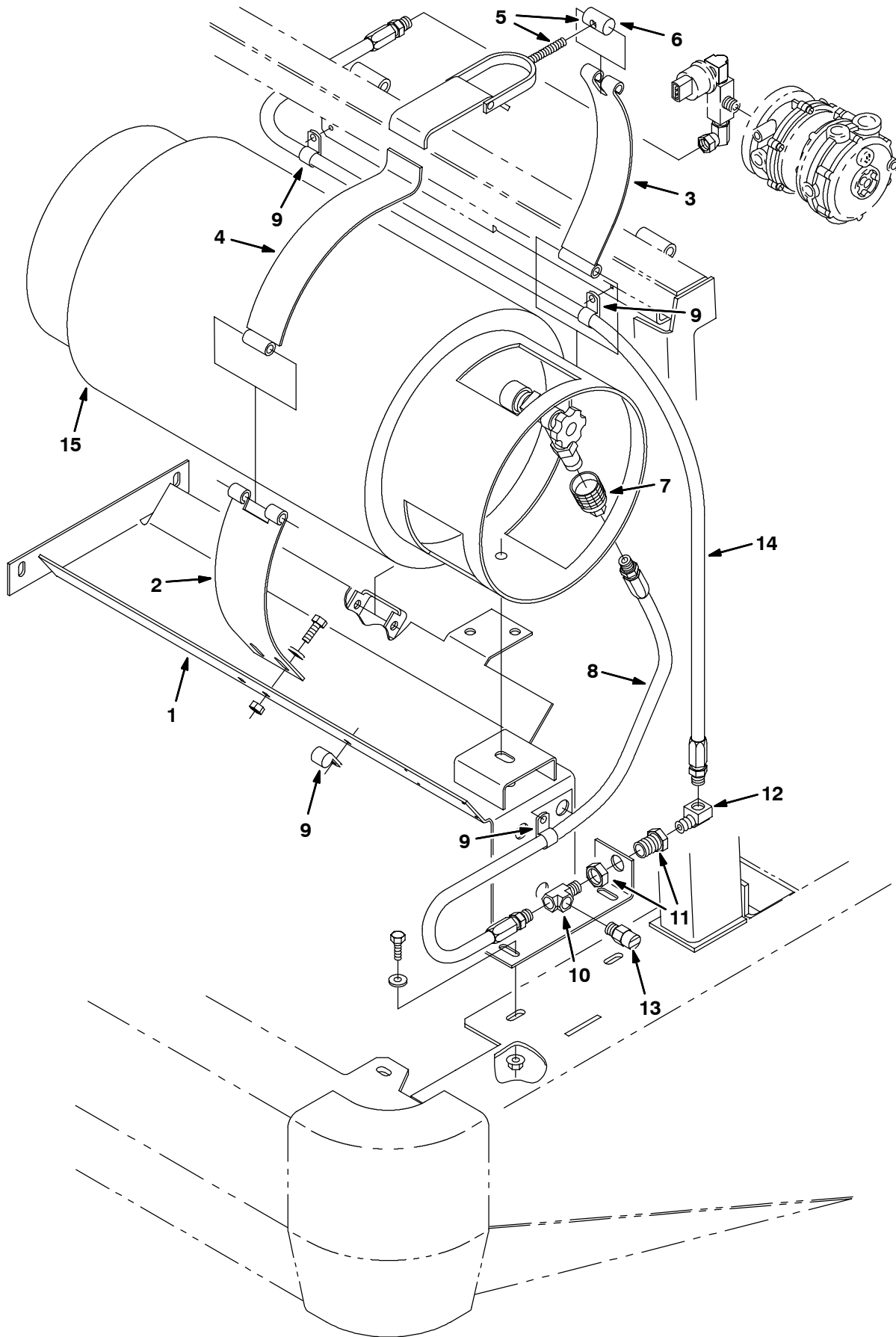


Fig. 21 - Fuel Tank Group, LPG

Ref.	Tennant Part No.	Machine Serial Number	Description	Qty.
1	25806	(000000-) Bracket Assy, Lpg Tank W/Label	1
2	58589	(000000-) Strap, Mtg.- Lp Tank	1
3	58590	(000000-) Strap, Tank Retainer - Lp	1
4	57297	(000000-) Strap, Hinge - Lp Tank Mtg	1
▽	53400-1	(000000-) Latch Assy, Lpg Tank Mtg,W/Nut	1
▲	53400-4	(000000-) Nut, Adjustable, Lpg Tank Mtg	1
7	26496	(000000-) Couplng, Quick Disc. Shwd	1
8	22308	(000000-) Hose Lpg, 4Lpg X 27.0 Lg	1
9	67767	(000000-) Clamp-Cable,.69Dia. 62Wth	4
10	56976A	(000000-) Ftg-Tee Npt 04Pm- 04Pf- 04Pf	1
11	78122	(000000-) Ftg,Bulkhead .25Npt Wh W21204	1
12	27048	(000000-) Fitting, El 90Npt/Npt 04Pf-	1
13	24047	(000000-) Valve, Press Relief, Lpg Rego	1
14	19760	(000000-) Hose Lpg Spl .25 I.D.55.0L	1
15	24928-1	(000000-) Tank-Lp,33@,Liq,Both,Fill Ga L	1

Fig. 22 - Radiator Group

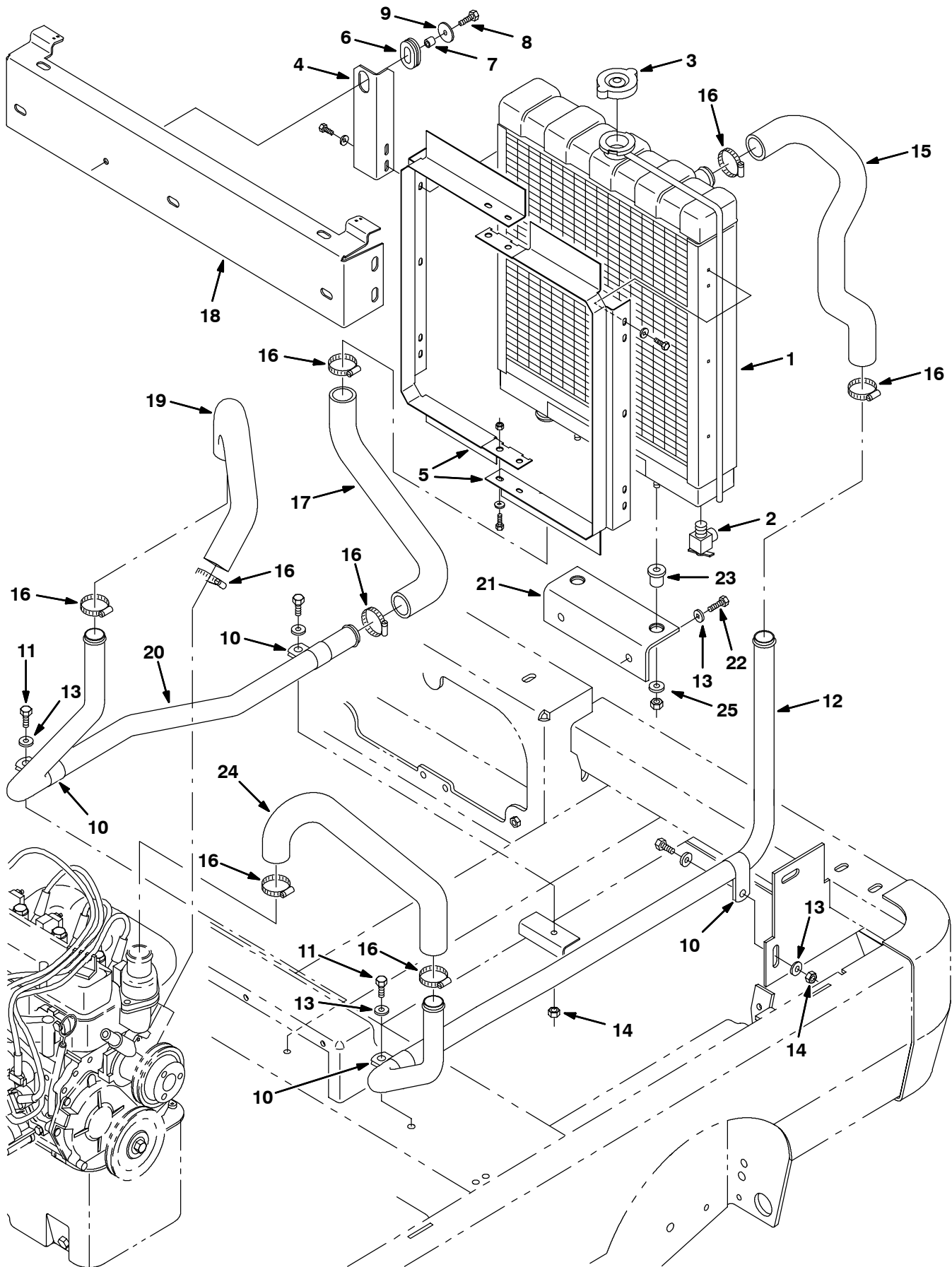


Fig. 22 - Radiator Group

Ref.	Tennant Part No.	Machine Serial Number	Description	Qty.
1	71970	(000000-) Radiator	1
2	51305	(000000-) Drain Cock,.25Npt Wh#120 Angl	1
1032822 3	31755	(000000-) Cap Radiator	1
4	71947	(000000-) Strap, Radiator	1
5	71949	(000000-) Panel, Shroud, Radiator	2
6	10632-14	(000000-) Grommet,Rbr,1.00ld,For .12Matl	1
7	22140	(000000-) Sleeve, .370B .50D .50 Butwcd	1
8	12333	(000000-) Scr-Hexssm 8X1.25 25 Nyloloc	1
9	30013	(000000-) Washer-Flt .31 Fender Pltd	1
10	58366	(000000-) Clamp,Cable 1.25Dia 1.00W Neo	4
11	09010	(000000-) Scr Hexssm 8X1.25 25	4
12	71914	(000000-) Tube, Radiator, Upper	1
13	01685	(000000-) Washer Flt .31 Ss	5
14	08713	(000000-) Nut-Hxlolocnyln M 8X1.25 Reg Ss	2
15	20917	(000000-) Hose, Radiator	1
16	79381	(000000-) Clamp Wormdrive, 1.25-2.00	8
17	71916	(000000-) Hose, Radiator	1
18	71948	(000000-) Bracket, Mountin, Radiator	1
19	71918	(000000-) Hose, Radiator	1
20	71913	(000000-) Tube, Radiator Lower	1
21	71950	(000000-) Bracket, Mounting, Radiator	1
22	12273	(000000-) Scr-Hexssm 8X1.25 20 Nyloloc	2
23	54274	(000000-) Isolator-Vibration,125Lb.Ratng	2
24	71917	(000000-) Hose, Radiator	1
25	13248	(000000-) Washer, .400B 1.12D .12Cr. Znc	2

Fig. 23 - Cooling Fan and Housing Group

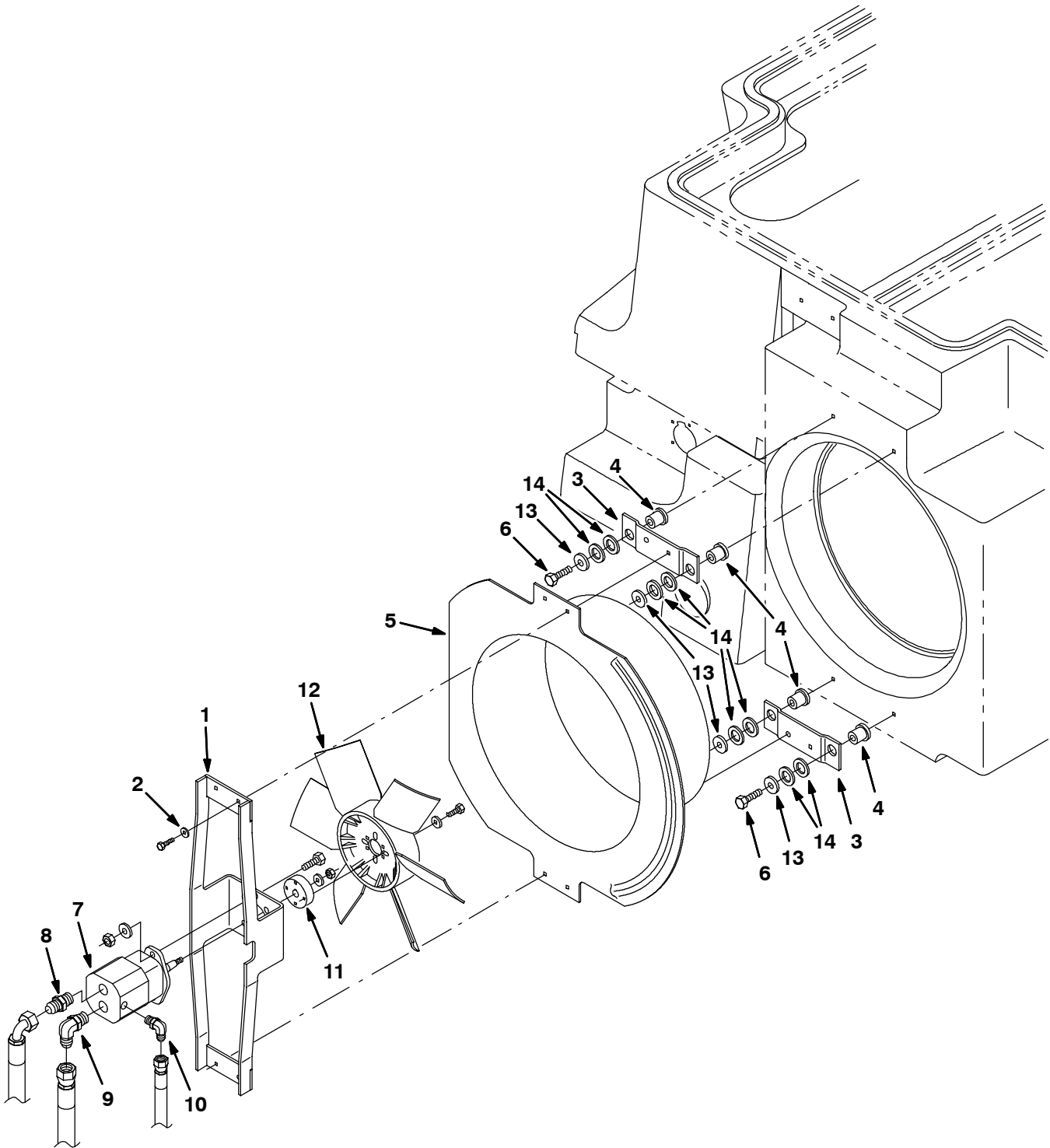


Fig. 23 - Cooling Fan and Housing Group

Ref.	Tenant Part No.	Machine Serial Number	Description	Qty.
1	71482	(000000-) Channel Wldt, Fan Motor	1
2	41185	(000000-) Washer-Belleville .25 Pltd	4
3	71484	(000000-) Bracket, Mtg, Fan	2
4	54274	(000000-) Isolator-Vibration,125Lb.Ratng	4
5	71480	(000000-) Panel, Transition	1
6	12317	(000000-) Scr Hexssm10X1.5 30	4
7	71719	(000000-) Motor, Hyd Gear (See Breakdowns)	1
8	52402	(000000-) Ftg-Hyd Str Jm06/Om08	1
9	47512	(000000-) Ftg-Hyd E90 Jm06/Om08	1
10	77097	(000000-) Ftg-Hyd E90 Jm04/Om04	1
11	71287	(000000-) Hub, Mounting, Fan	1
12	30559	(000000-) Fan, Pusher	1
13	13248	(000000-) Washer .400B 1.12D .12Cr Znc	4
14	09832	(000000-) Washer, .812B 1.06D .06Cr	8

Fig. 24 - Battery Group

Ref.	Tennant Part No.	Machine Serial Number	Description	Qty.
1	71169	(000000-) Tray, Battery	1
2	09010	(000000-) Scr Hexssm 8X1.25 25	2
3	01685	(000000-) Washer Flt .31 Ss	4
4	72977	(000000-) Angle, Battery	1
5	13015	(000000-) Bolt, Hold Down, Battery, 7.5 Lg	2
6	39272	(000000-) Nut-Wing .31-18 Pltd	2
7	10137	(000000-) Battery, 12V, Cc Amps:475 Wet	1
8	31258	(000000-) Cable, Battery Pos 4Ga. 38L	1
9	68873	(000000-) Boot, Batt. Term. 1-2Ga. Red	1
10	57779	(000000-) Wire Assy' Elect., Batt. Neg.	1
11	68872	(000000-) Boot, Batt. Term. 1-2Ga. Black	1
12	69234	(000000-) Clamp-Cable, 1.00Dia. .62Wth	1

Fig. 25 - Front Drive Wheel Group

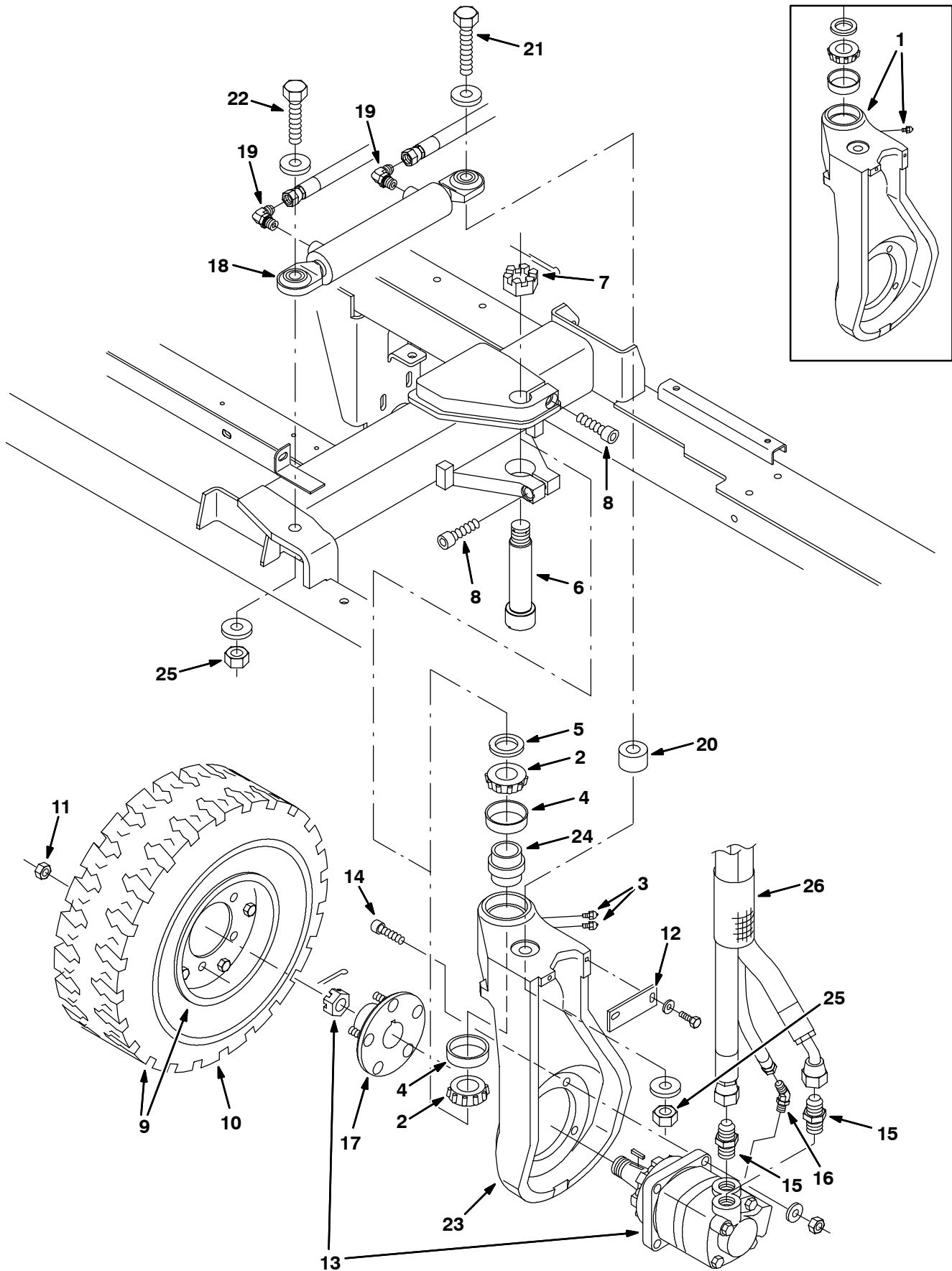


Fig. 25 - Front Drive Wheel Group

Ref.	Tennant Part No.	Machine Serial Number	Description	Qty.	
1	374566	(000000-003817)	Replacement Kit, Drive Housing	1	
2	51339	(000000-	Bearing-Cone, 1.38Bore 0.71Wth	2	
3	47801	(000000-	Ftg, Grease.25-28Th Strt .63L	2	
4	51338	(000000-	Bearing-Cup , 2.56Dia 0.55Wth	2	
5	54051	(000000-	Washer, Thrust	1	
6	73281	(000000-	Pin,Support Wheel, Bar	1	
7	54052	(000000-	Nut-Hex Slot 1.12-18	1	
8	72926	(000000-	Scr Soc	1	
▽	9	71344	(000000-	Tire & Wheel Assy, Front	1
▲	10	71345	(000000-	Tire, Solid 5.00 X 8 X 3.75	1
11	24339	(000000-	Nut Wheel .50-20 60 Angle	5	
12	58842	(000000-	Plate - Hose Support	1	
13	71724	(000000-003524)	Motor, Hyd Gear (See Breakdowns) (Replaced by 378710)	1	
13	22604	(003525-	Motor, Hyd Gear (See Breakdowns)	1	
14	19583	(000000-	Scr Soc .50-13X1.50	4	
15	42223	(000000-	Ftg-Hyd Str Jm10/Om12	2	
16	34359	(000000-	Ftg-Hyd E45 Jm04/Om04	1	
▽	17	54087	(000000-	Hub & Stud	1
▲		32126	(000000-	Stud, Wheel .50-20 X 1.50	5
18	71339	(000000-	Cylinder, Hyd 2.08 08.0S 2500	1	
19	56820	(000000-	Ftg-Hyd E90 Jm06/Om06	2	
20	71340	(000000-	Sleeve, .88B 1.75D 1.12L, Stl	1	
21	71341	(000000-	Scr-Hex .75-10x4.00 G5 Pltd	1	
22	77345	(000000-	Scr-Hex .75-10x3.25 G5 Pltd	1	
23	374562	(003818-	Housing, Support, Wheel	1	
24	374560	(003818-	Seal, Drive Grease Cavity	1	
25	32987	(000000-	Nut, Hxlocnylon .75-10	2	
26	57315	(000000-	Sleeve, Nyl, #37 5.0l	1	

Fig. 26 - Rear Wheels and Brakes Group

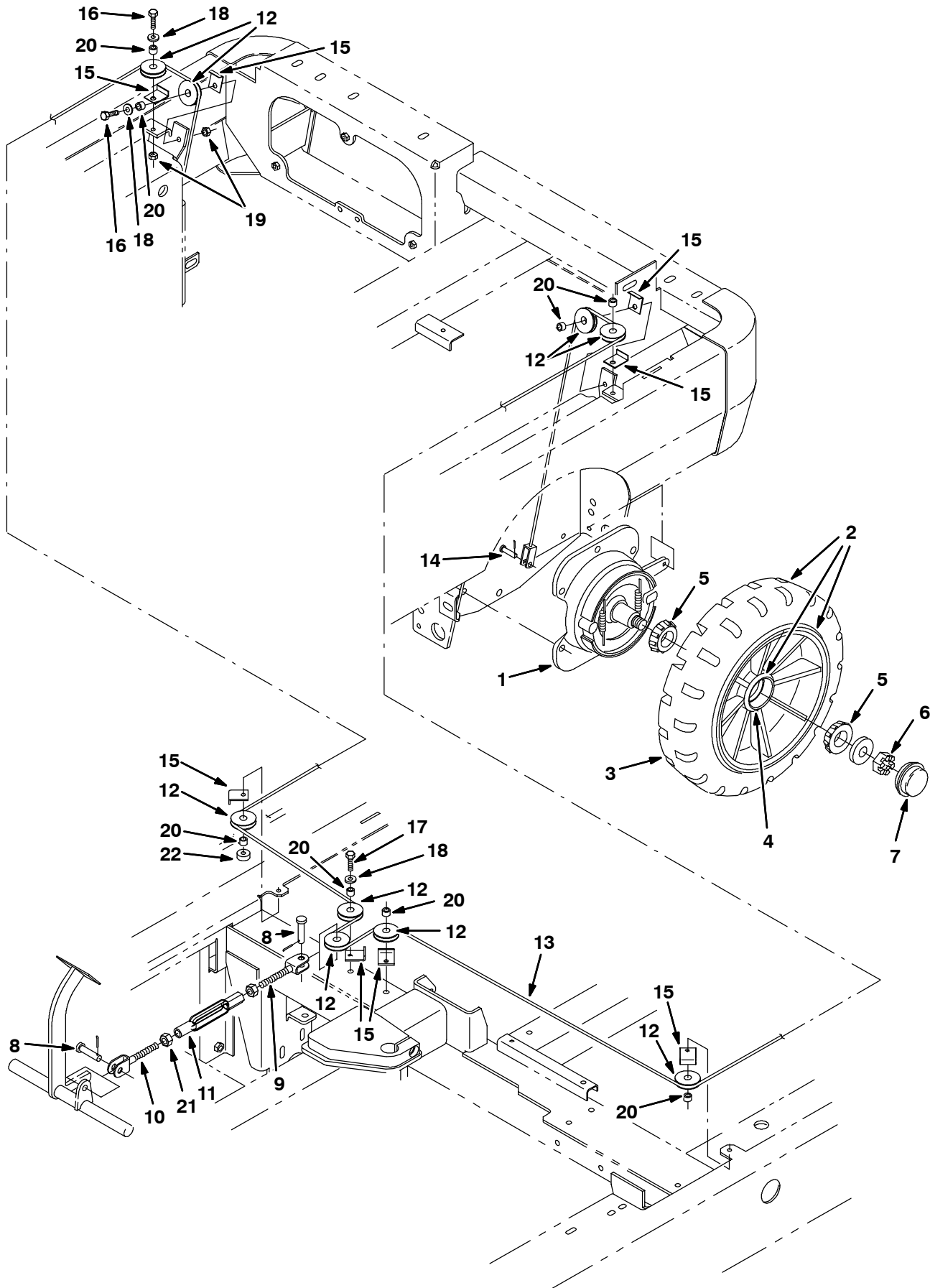


Fig. 26 - Rear Wheels and Brakes Group

	Ref.	Tennant Part No.	Machine Serial Number	Description	Qty.
▽	1	54577	(000000-) Brake Assy	2
▲		66211	(000000-) Brake Shoe (Need 2)	2
▲▽		66213	(000000-) Brake Repair Kit	1
▲▲		70161	(000000-) Shaft, Cam, Chrome Plated	1
▲		70158	(000000-) Spring, Return, Brakes	2
▽	2	54437	(000000-) Wheel	2
▲	3	54567	(000000-) Tire, 18X5X12.12 Solid	1
▲	4	51338	(000000-) Bearing-Cup , 2.56Dia 0.55Wth	2
	5	51339	(000000-) Bearing-Cone, 1.38Bore 0.71Wth	4
	6	14242	(000000-) Nut-Hxslot 1.00-20 Pltd	2
	7	54390	(000000-) Cap, Hub	2
	8	06598	(000000-) Pin,Clevis,0.50 Dia.X 1.42 Lg	2
	9	71372	(000000-) Yoke Wldt, Lh	1
	10	71373	(000000-) Yoke Wldt, Rh	1
	11	75147	(000000-) Turnbuckle,.50-20Thd,2.2-4.4Lg	1
	12	369781	(000000-) Pulley, Cable, 1.5d, Nyl	9
	13	71361	(000000-) Cable, Brake, Service	1
	14	09088	(000000-) Pin,Clevis,0.37 Dia.X 1.00 Lg	2
	15	54400	(000000-) Angle, Cable Keeper	8
	16	09023	(000000-) Scr Hexssm 8X1.25 35	6
	17	09026	(000000-) Scr Hexssm 8X1.25 40	2
	18	01685	(000000-) Washer Flt .31 Ss	8
	19	08713	(000000-) Nut-Hxlocnyln M 8X1.25 Reg Ss	6
	20	222460	(000000-) Spacer	8
	21	71369	(000000-) Nut-Hx Jam .50-20 Left Pltd	1
	22	69462	(000000-) Sleeve, .401B 1.00D .38Hrs	1

Fig. 27 - Brake Pedal Group

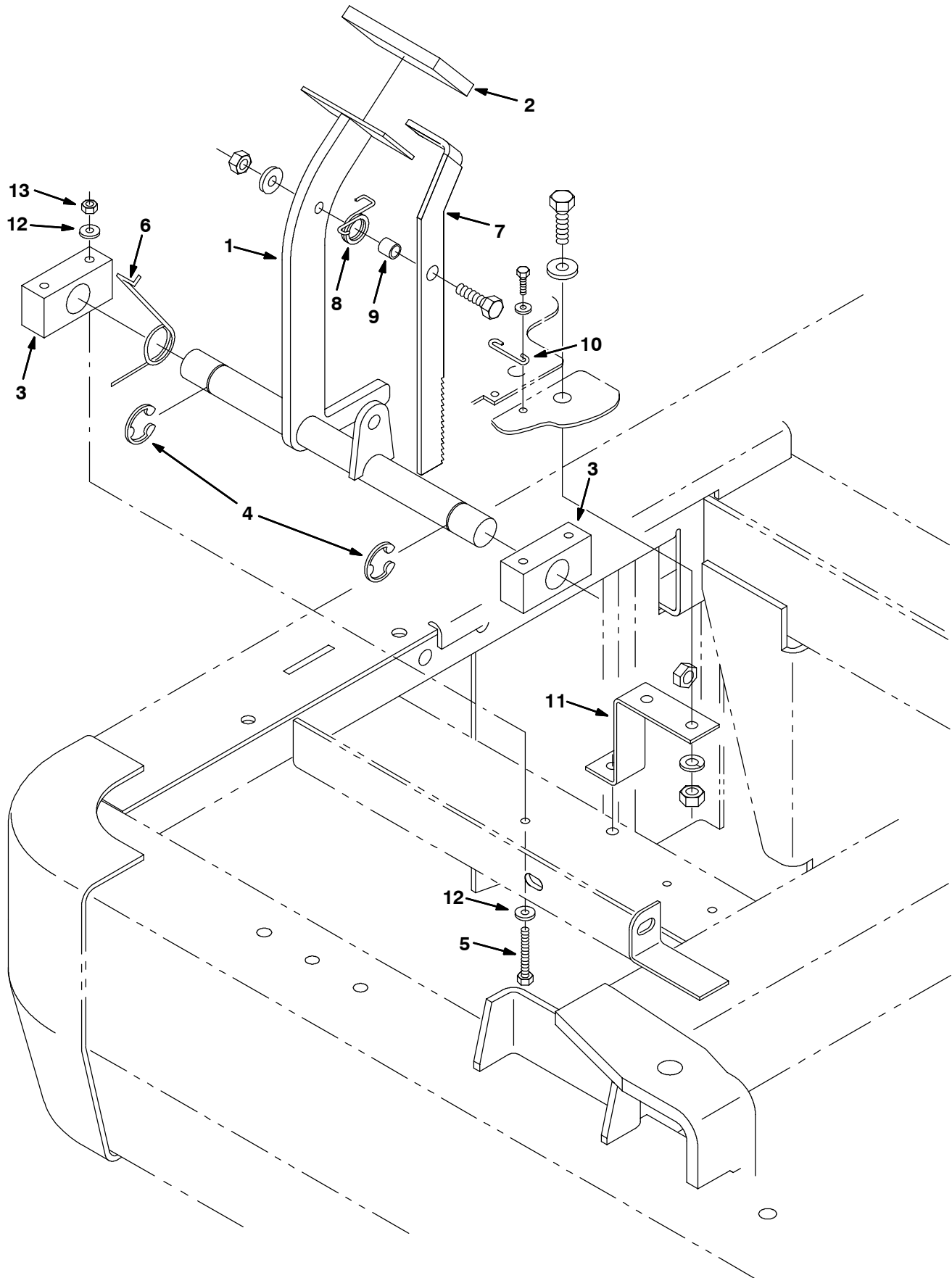


Fig. 27 - Brake Pedal Group

Ref.	Tennant Part No.	Machine Serial Number	Description	Qty.
1	71360	(000000-) Shaft Wldt, Brake	1
2	51109	(000000-) Pad	1
3	86751	(000000-) Bearing, Brake	2
4	23788	(000000-) Ring,Retain,Ex,0.98Od,E-Ring	2
5	58979	(000000-) Screw-Hex Ssm 6X1.0	4
6	54607	(000000-) Spring, Torsion	1
7	22731	(000000-) Pedal, Brake Lock Ec	1
8	59009	(000000-) Spring, Tors 0.75D 1.00L .060W	1
9	46563	(000000-) Bshg,Sleeve,0.37Bx0.50Odx0.50L	1
10	71367	(000000-) Spring, Brake, Parking	1
11	71796	(000000-) Bracket, Brake	1
12	01684	(000000-) Washer Flt .25 Ss	8
13	08712	(000000-) Nut-Hxlocnyln M6X1.0 Reg Ss	4

Fig. 28 - Directional Pedal and Linkage Group

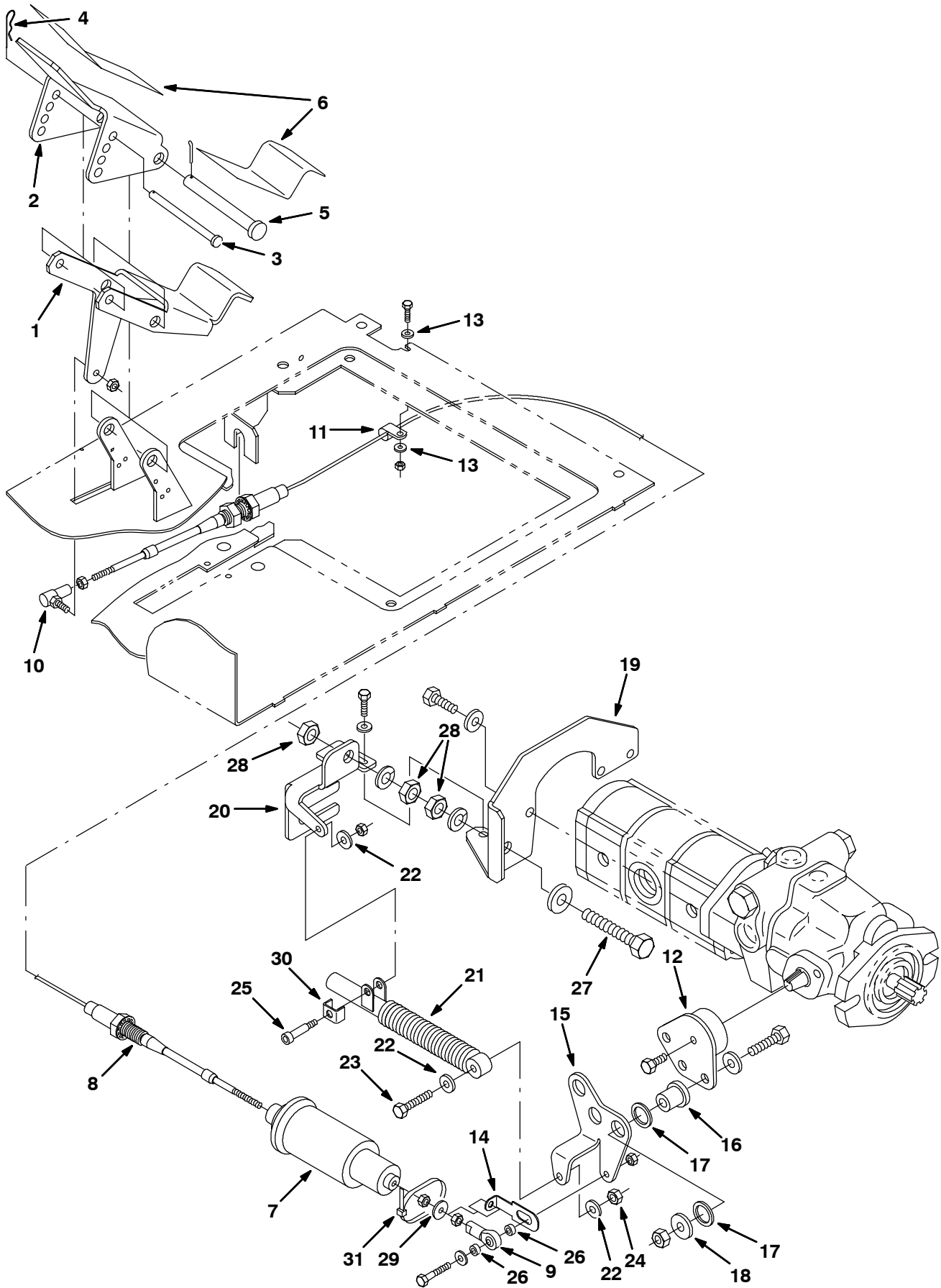


Fig. 28 - Directional Pedal and Linkage Group

Ref.	Tennant Part No.	Machine Serial Number	Description	Qty.
1	71677	(000000-) Pedal, Lower, Propel	1
2	75305	(000000-) Pedal, Upper	1
3	59672	(000000-) Pin, Clevis .31 Dia X 4.50 Lg	1
4	86866	(000000-) Pin, Hair Cotter .38D .072 Wire	1
5	59668	(000000-) Pin, Clevis .50 Dia X 4.50 Lg	1
6	82839	(000000-) Pad, Tread	1
7	63292	(000000-) Spring, Propel, Centering	1
8	71676	(000000-) Cable, Push-Pull	1
9	68866	(000000-) Rod End .250-28 .25Dia	1
10	14601	(000000-) Ball Joint, 250-28	1
11	26395-1	(000000-) Clamp-Cable, 0.56Dia 0.38Wth	1
12	71682	(000000-) Arm Wldt, Propel	1
13	01683	(000000-) Washer Flt 10 Ss	2
14	83887	(000000-) Bracket, Safety Clip	1
15	71680	(000000-) Arm, Propel, Lower	1
16	54274	(000000-) Isolator-Vibration,125Lb.Ratng	3
17	09832	(000000-) Washer, .812B 1.06D .06Cr.	6
18	13248	(000000-) Washer .400B 1.12D .12Cr Znc	3
19	71678	(000000-) Bracket, Propel	1
20	71681	(000000-) Bracket, Propel, Adjustment	1
21	73411	(000000-) Shock Absorber	1
22	01685	(000000-) Washer Flt .31 Ss	4
23	09023	(000000-) Scr Hexssm 8X1.25 35	1
24	08713	(000000-) Nut-Hxlocnyln M 8X1.25 Reg Ss	1
25	16213	(000000-) Scr-Shld .312Dx1.00L .25-20	1
26	65441	(000000-) Spacer, .259ld 375Od .250Lg	2
27	53963A	(000000-) Scr-Hx .50-13 X 3.00 Full Thd	1
28	01704	(000000-) Nut-Hx Jam .50-13 Ss	3
29	78785	(000000-) Washer, .250B .88D .06Neoprene	1
30	84170	(000000-) Bracket, Retainer	1
31	49266	(000000-) Tie, Cable, Nyl, 07.3l .19w 1.8 Max D	1

Fig. 29 - Vacuum Fan Group

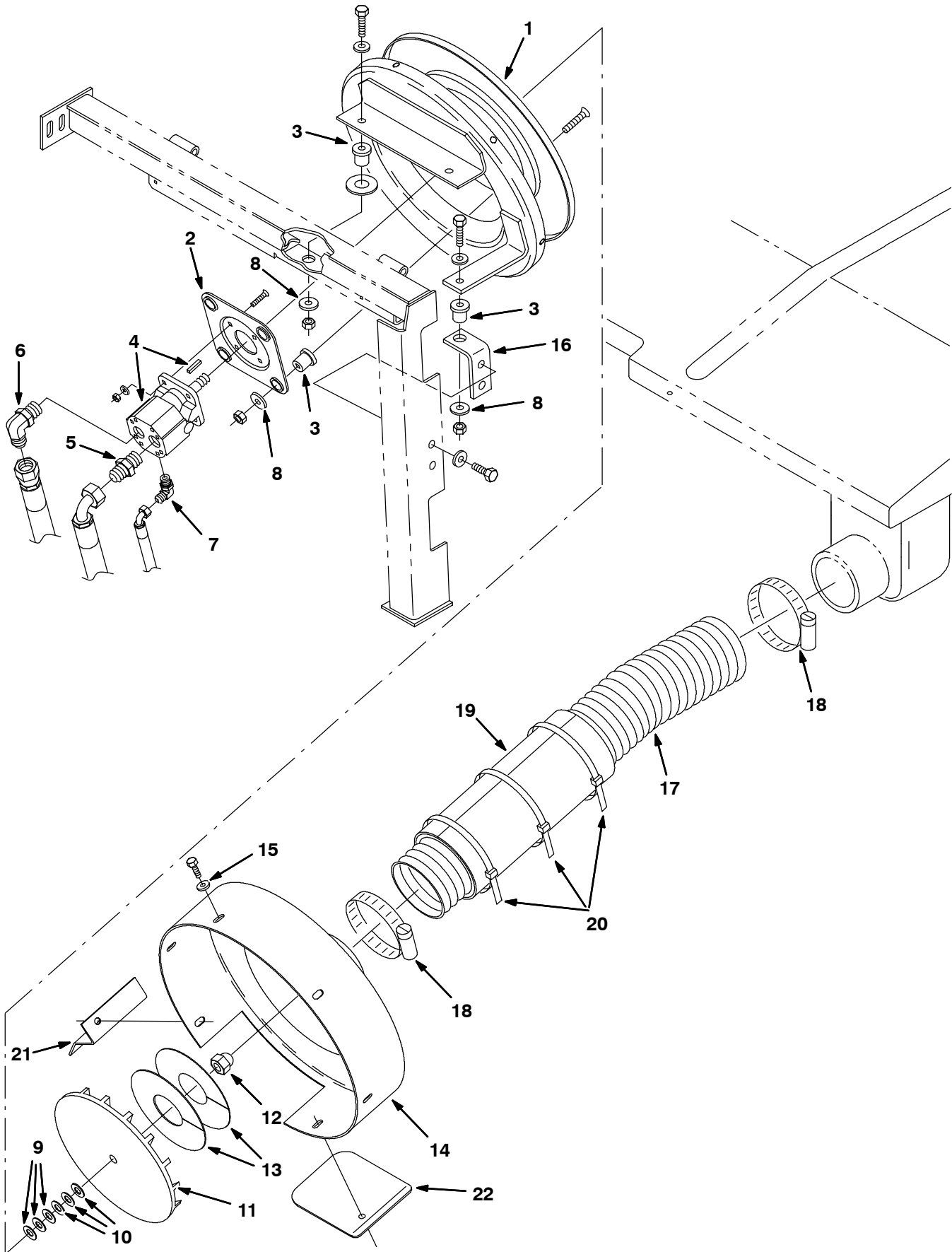


Fig. 29 - Vacuum Fan Group

Ref.	Tenant Part No.	Machine Serial Number	Description	Qty.
1	20976	(000000-) Housing Wldt, Vac Fan	1
2	54275A	(000000-) Bracket, Mounting Motor	1
3	54274	(000000-) Isolator-Vibration,125Lb.Ratng	7
4	73112	(000000-) Motor, Hyd Gear (See Breakdowns)	1
5	56692	(000000-) Ftg-Hyd Str Jm08/Om10	1
6	56821	(000000-) Ftg-Hyd E90 Jm08/Om10	1
7	77097	(000000-) Ftg-Hyd E90 Jm04/Om04	1
8	13248	(000000-) Washer .400B 1.12D .12Cr Znc	7
9	75456-3	(000000-) Shim .020Th 0.88Odx0.506ld	3
10	75456-4	(000000-) Shim .060Th 0.880Dxo.506ld	3
11	03922	(000000-) Impeller 9.5 Dia. 18 Blade Mac	1
12	41130	(000000-) Nut-Low Crown .50-20 Pltd	1
13	58114	(000000-) Fan, Repair Kit, Reassembly	1
14	25821	(000000-) Housing, Vac Fan W/Label	1
15	41186	(000000-) Washer-Belleville .31 Pltd	6
16	20974	(000000-) Bracket, Mounting, Fan	1
17	20971	(000000-) Hose, Vacuum 4.0	1
18	79380	(000000-) Clamp Wormdrive, 3.75-4.62	2
19	75375	(000000-) Flap,Containment	1
20	44961	(000000-) Tie, Cable 4.00 Max 14.50Lg	3
21	20982	(000000-) Bracket, Discharge	1
22	20884	(000000-) Deflector, Fan	1

Fig. 30 - Solution Control Group

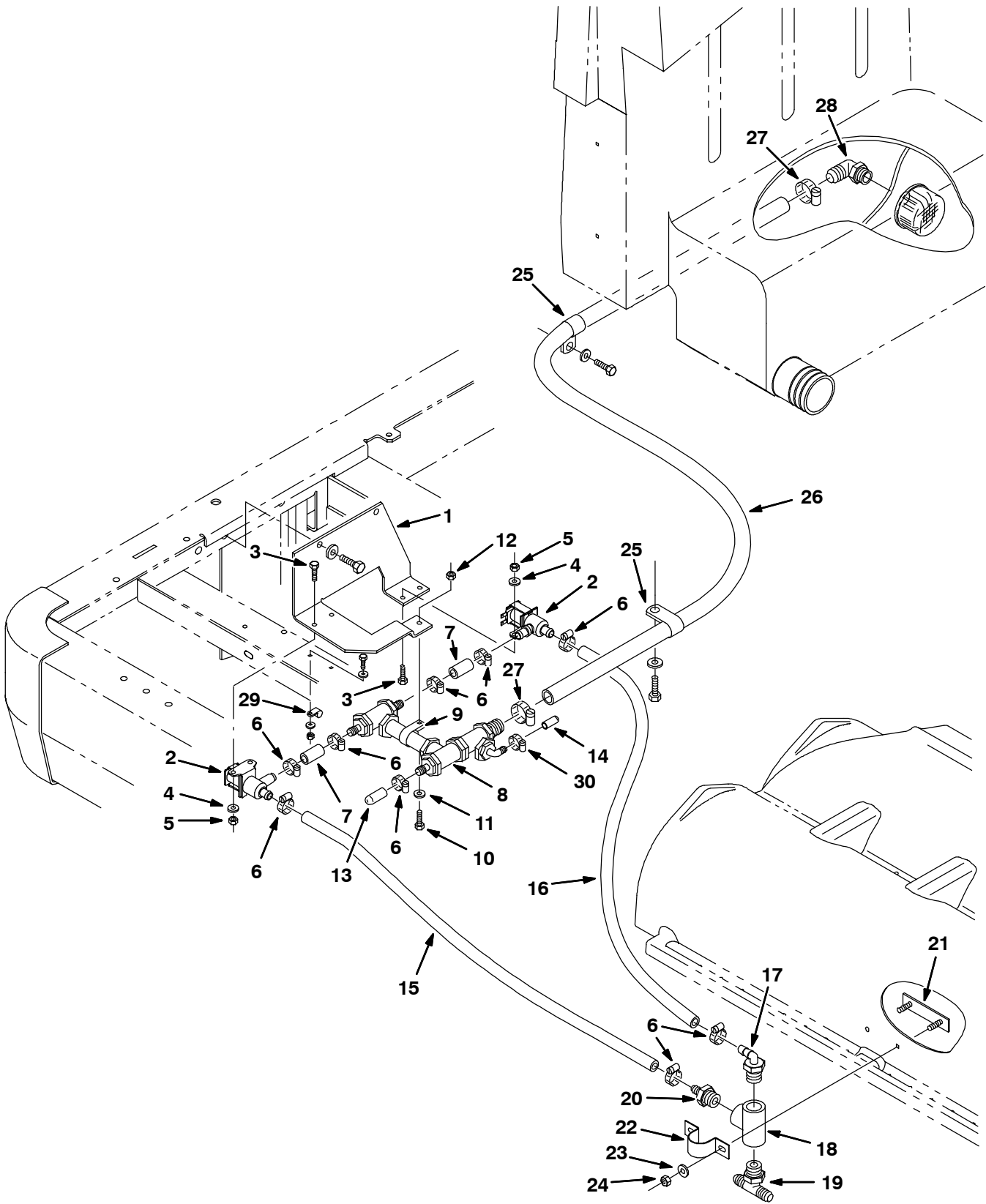


Fig. 30 - Solution Control Group

Ref.	Tennant Part No.	Machine Serial Number	Description	Qty.
1	71786	(000000-) Bracket, Sol Control	1
2	369850	(000000-) Valve, Water, Solenoid	2
3	08716	(000000-) Screw, Hex Ssm 6 X 1.0 20	4
4	01684	(000000-) Washer Fit .25 Ss	4
5	08712	(000000-) Nut Hxlocnyln M 6X1.0 Reg Ss	4
6	54333	(000000-) Clamp-Wormdrive, 0.31- 0.88D	9
7	71793	(000000-) Hose, Vinyl Clr .501Dx1.0Lng	2
8	71614	(000000-) Fitting Assy, Sol Control	1
9	50544	(000000-) Clamp-Cable, 1.12Dia 0.38Wth	1
10	09738	(000000-) Scr Hexssm 5X0.8 12	1
11	01683	(000000-) Washer Fit10 Ss	1
12	09739	(000000-) Nut-Hxlocnyln M 5X0.8 Reg 18-8	1
13	20807	(000000-) Cap, Neoprene, Black	1
14	20806	(000000-) Cap, Neoprene, Black	1
15	20778	(000000-) Hose, Vinyl, Clear	1
16	20779	(000000-) Hose, Vinyl, Clear	1
17	63244-3	(000000-) Ftg,Plstc,Elb,Barb.75Pt-.50Hse	1
18	42133A	(000000-) Ftg,Plstc,Tee,.75-.75-.75Pipe	1
19	71982	(000000-) Fitting, Plastic Tee 12Bm/12Pm	1
20	79273-1	(000000-) Ftg,Plstc,Cplg,Barb.75Pt-.50Hs	1
21	20978	(000000-) Plate Wldt, Sol Control, Ss	1
22	56553	(000000-) Clamp-Conduit, 2 Slot 1.50Dia	1
23	01684	(000000-) Washer Fit .25 Ss	2
24	08712	(000000-) Nut Hxlocnyln M 6X1.0 Reg Ss	2
25	53466	(000000-) Clamp-Cable, 1.50Dia. 1.00W	2
26	20777	(000000-) Hose, Vinyl, Clear	1
27	11399	(000000-) Clamp-Wormdrive, 0.81- 1.50D	2
28	20959	(000000-) Fitting, Plastic E90 16Bm/12Pm	1
29	40678	(000000-) Clamp-Cable, 0.44D 0.62W Stl	1
30	43844	(000000-) Clamp, Hose, Wormdrive, 0.25-0.62d	1

Fig. 31 - Solution Tank Group

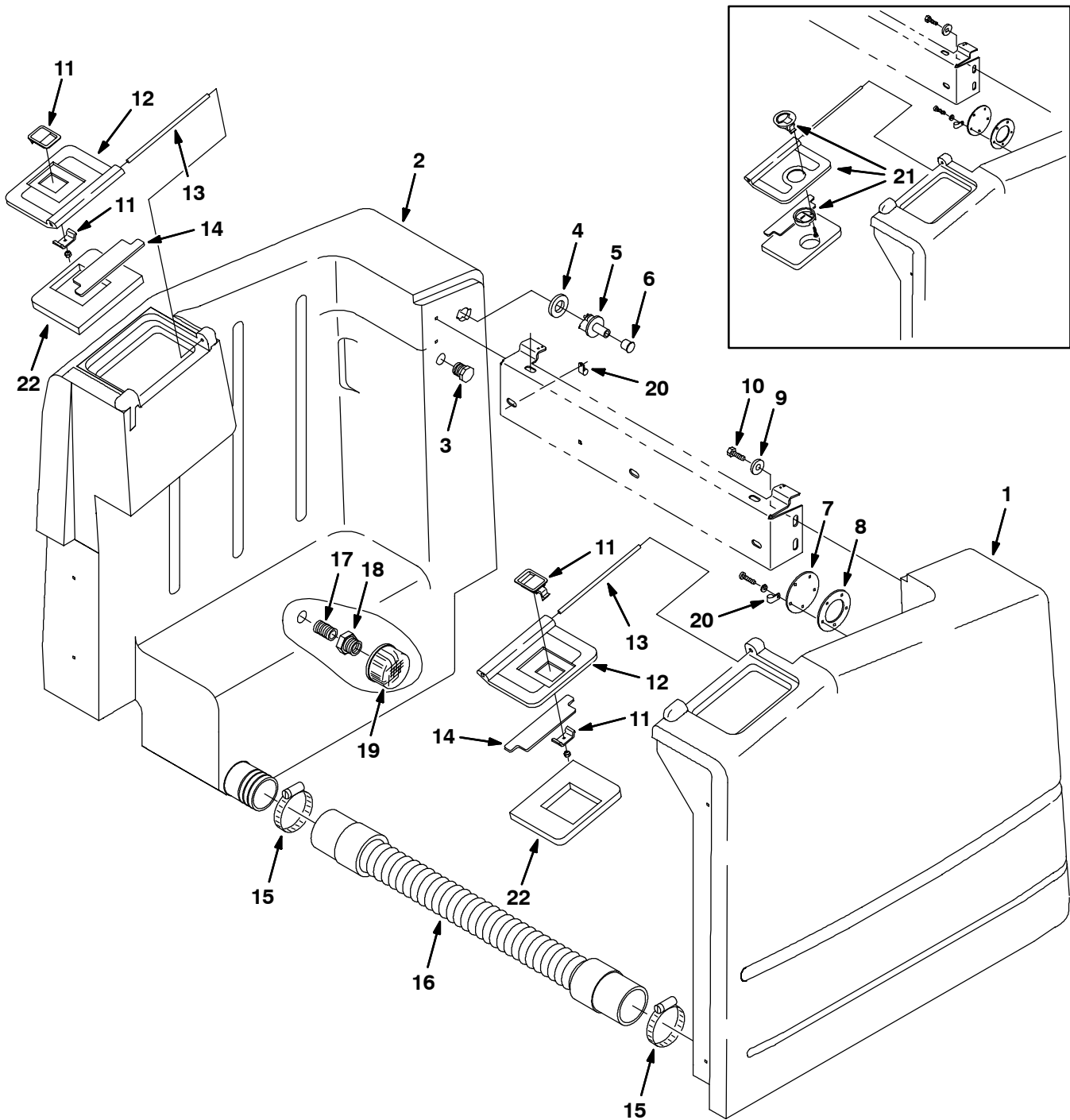


Fig. 31 - Solution Tank Group

Ref.	Tenant Part No.	Machine Serial Number	Description	Qty.
1	20918	(000000-) Tank, Solution, Lh	1
2	20919	(000000-) Replm Kit, Solution Tnk	1
3	75611	(000000-) Ftg-Plug Npt 12Pm Rd Hd Plstc.	1
4	73342	(000000-) Gasket, Check Valve	1
5	78840	(000000-) Valve, Check	1
6	78740	(000000-) Plug, Cap, Check Valve	1
7	86755	(000000-) Cap, Plate	1
8	86591	(000000-) Gasket	1
9	46983	(000000-) Sleeve, .391B 1.38D .19 Hr.Cad	4
10	12273	(000000-) Scr-Hexssm 8X1.25 20 Nyloloc	4
11	20996	(003431-) Latch, Engine Door, Side	2
12	20995	(003431-) Cover, Solution Tank	2
13	20924	(000000-) Rod, Plastic	2
14	20958	(000000-) Sheet, Plastic, Backup	2
15	17188	(000000-) Clamp Wormdrive, 1.62-3.50	2
16	20927	(000000-) Hose, Crossover	1
17	69784	(000000-) Ftg,Plstc,Nip. 0.75Ptx 1.68Lg	1
18	20811	(000000-) Fitting, Plastic Str 12Pf/16Pm	1
19	20810	(000000-) Strainer, Screen,Solution Tank	1
20	40678	(000000-) Clamp-Cable, 0.44D 0.62W Stl	2
21	20994	(000000-003430) Cover Kit, Solution Tank	2
22	20997	(003431-) Gasket, Cover	2

Fig. 32 - Recovery Tank Group

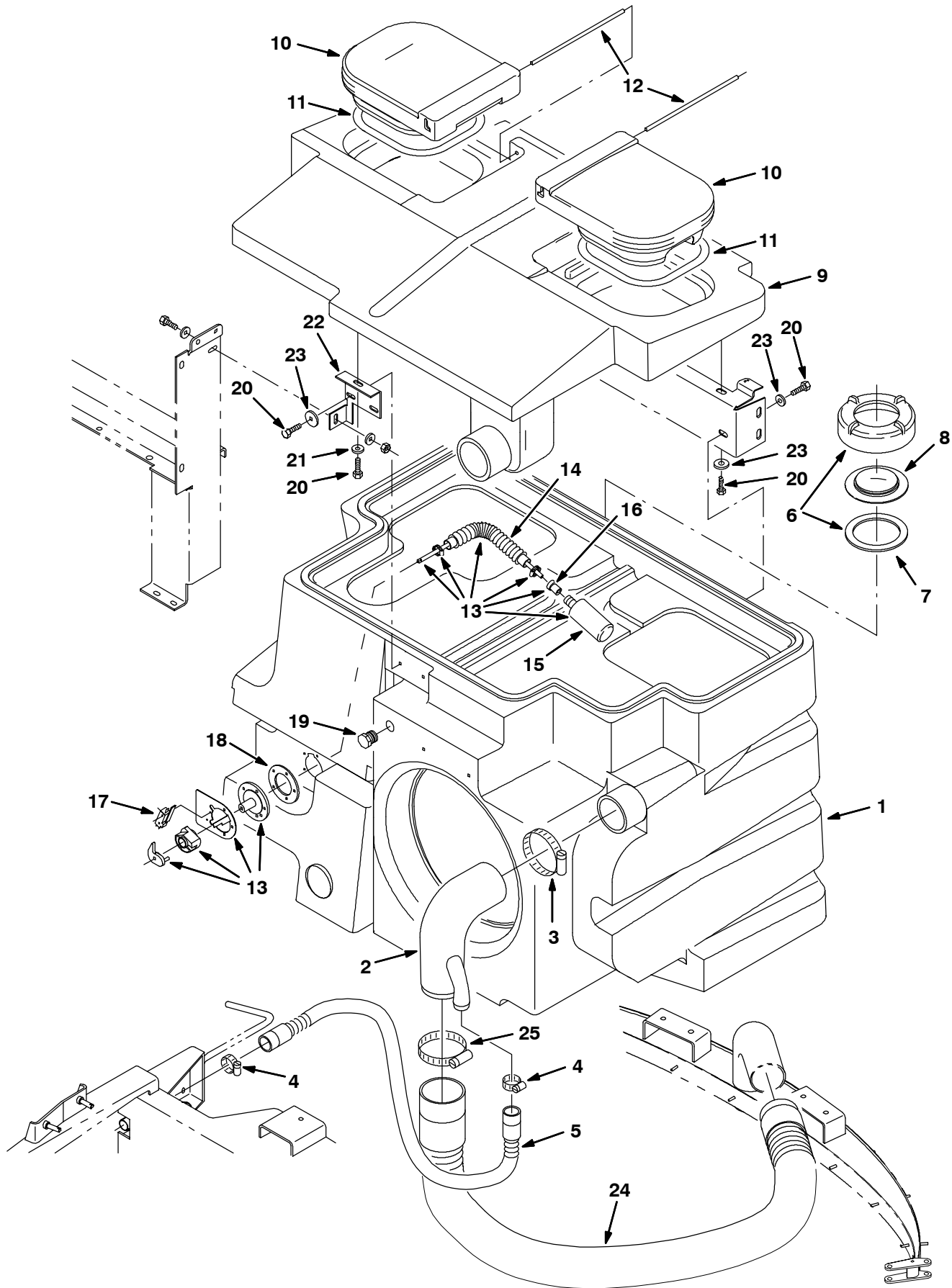


Fig. 32 - Recovery Tank Group

	Ref.	Tennant Part No.	Machine Serial Number	Description	Qty.
▽	1	20980	(000000-) Replm Kit, Recovery Tnk	1
▲	2	20943	(000000-) Fitting, Special, Y, Tank	1
▲	3	20983	(000000-) Clamp-Wormdrive	1
	4	11399	(000000-) Clamp-Wormdrive, 0.81- 1.50D	2
	5	71236	(000000-) Hose, 1.0 Dia Tray	1
▽	6	24358	(000000-) Cap Assy,Tank	1
▲	7	375200	(000000-) Gasket, Lid	1
	8	86636	(000000-) Cover Lid	1
	9	25818	(000000-) Demister Cover W/Label	1
	10	20921	(000000-) Cover, Recovery Tank	2
	11	20922	(000000-) Seal, Tube, Silicone	2
	12	20915	(000000-) Rod, Plastic	2
▽	13	20949	(000000-) Level Sensing Assy	1
▲	14	73145	(000000-) Bellows, .75 Id 10.3L	1
▲	15	50238	(000000-) Float Bottle	1
▲	16	50256	(000000-) Plug, Float	1
▲	17	398525	(000000-) Switch, Micro, Spdt	1
	18	86591	(000000-) Gasket	1
	19	75611	(000000-) Ftg-Plug Npt 12Pm Rd Hd Plstc.	1
	20	12273	(000000-) Scr-Hexssm 8X1.25 20 Nyloloc	9
	21	01685	(000000-) Washer Flt .31 Ss	1
	22	20937	(000000-) Bracket, Mtg, Tank	1
	23	13248	(000000-) Washer, .400B 1.12D .12Cr Znc	9
	24	71235	(000000-) Hose, 3.0 Dia Squeegee	1
	25	23498	(000000-) Clamp-Wormdrive, 2.63- 4.50D	1

Fig. 33 - Solution and Recovery Tank Drain Group

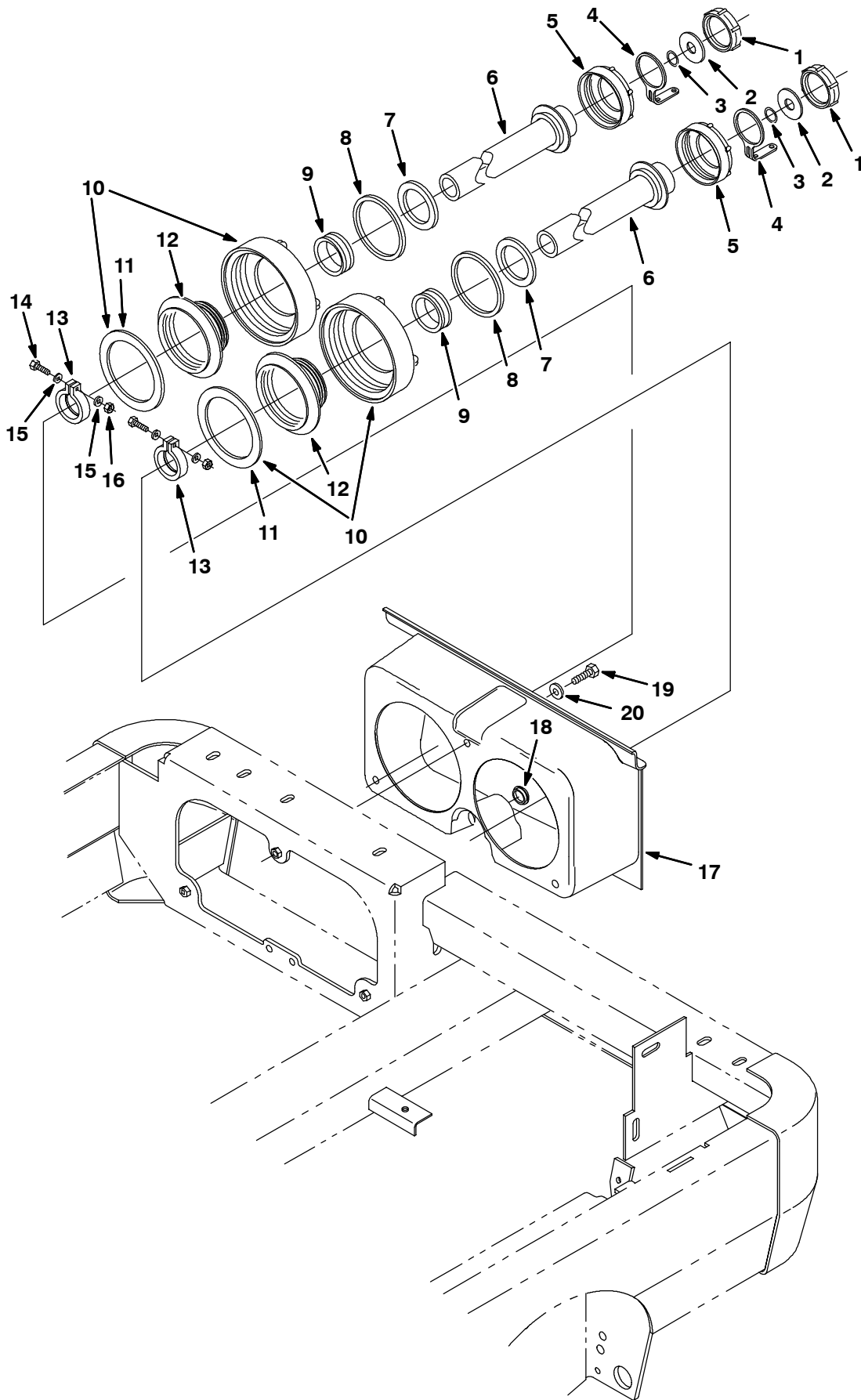


Fig. 33 - Solution and Recovery Tank Drain Group



	Ref.	Tennant Part No.	Machine Serial Number	Description	Qty.
	1	32613	(000000-) Cap Drain	2
	2	32614	(000000-) Gasket Cap	2
	3	32669	(000000-) Ring Retain Ex, 0.75D	2
	4	32508	(000000-) Strap Cap Retainer	2
	5	14880	(000000-) Cap, Drain Hose	2
	6	24174	(000000-) Hose Assembly, Drain	2
	7	41451	(000000-) Gasket Lid	2
	8	79320	(000000-) Gasket, Drain Cap	2
	9	41421	(000000-) Seal, Hose	2
▽	10	24358	(000000-) Cap Tank	2
▲	11	375200	(000000-) Gasket, Lid	2
	12	14864	(000000-) Cover, Insert	2
	13	41454	(000000-) Clamp, Hose	2
	14	12316	(000000-) Scr Hexssm 5X0.8 25	2
	15	01683	(000000-) Washer Flt 10 Ss	4
	16	09739	(000000-) Nut-Hxlocnyln M 5X0.8 Reg 18-8	2
	17	20938	(000000-) Cover, Cleanout	1
	18	55035	(000000-) Button, Plug	1
	19	12273	(000000-) Scr-Hexssm 8X1.25 20 Nyloloc	3
	20	01685	(000000-) Washer Flt .31 Ss	3

Fig. 34 - Solution and Recovery Tank Gaskets Group

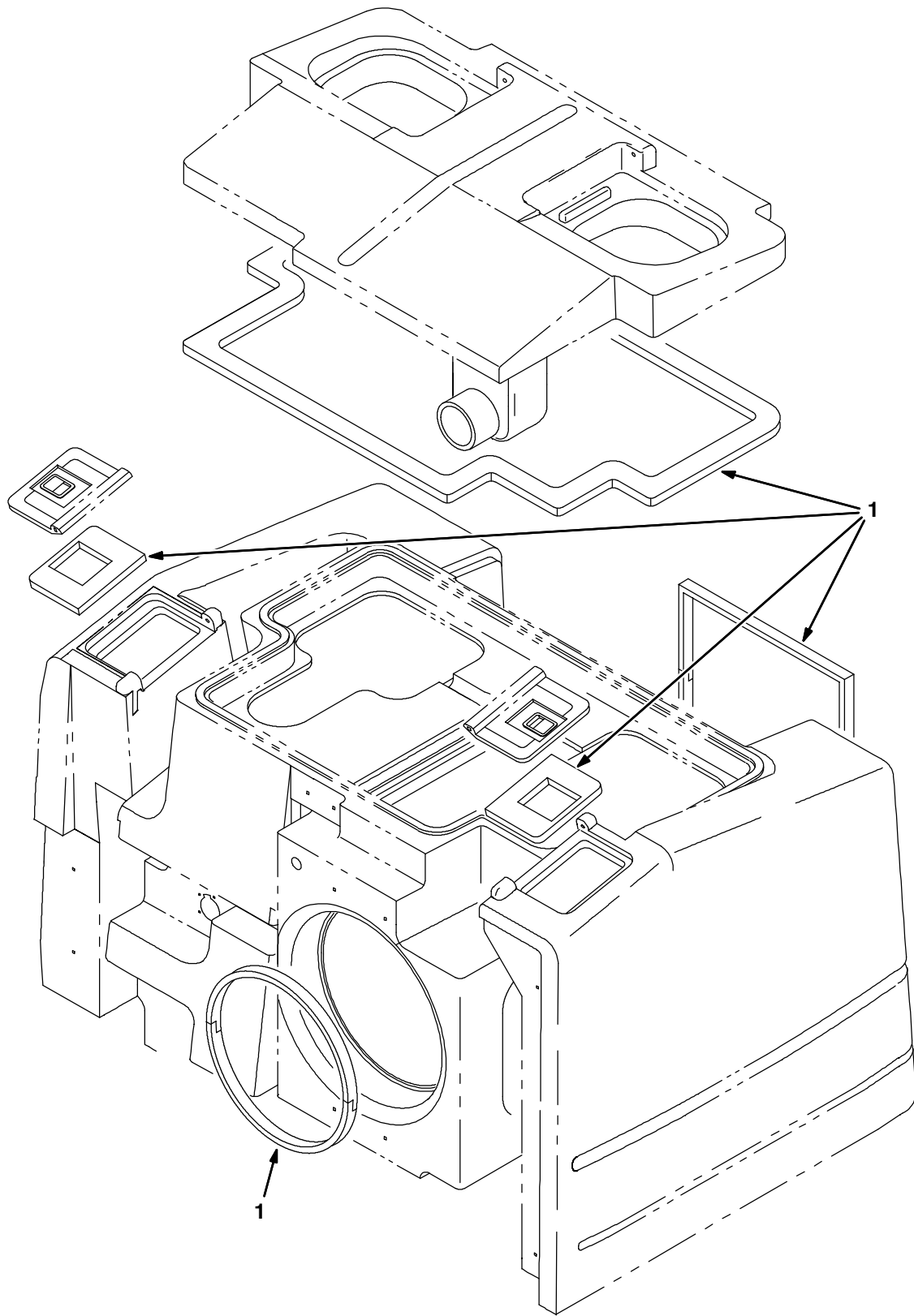


Fig. 34 - Solution and Recovery Tank Gaskets Group

Ref.	Tennant Part No.	Machine Serial Number	Description	Qty.
1	20945	(000000-) Gasket Set, Tank	1

Fig. 35 - Hydraulic Schematic (000000-005613)

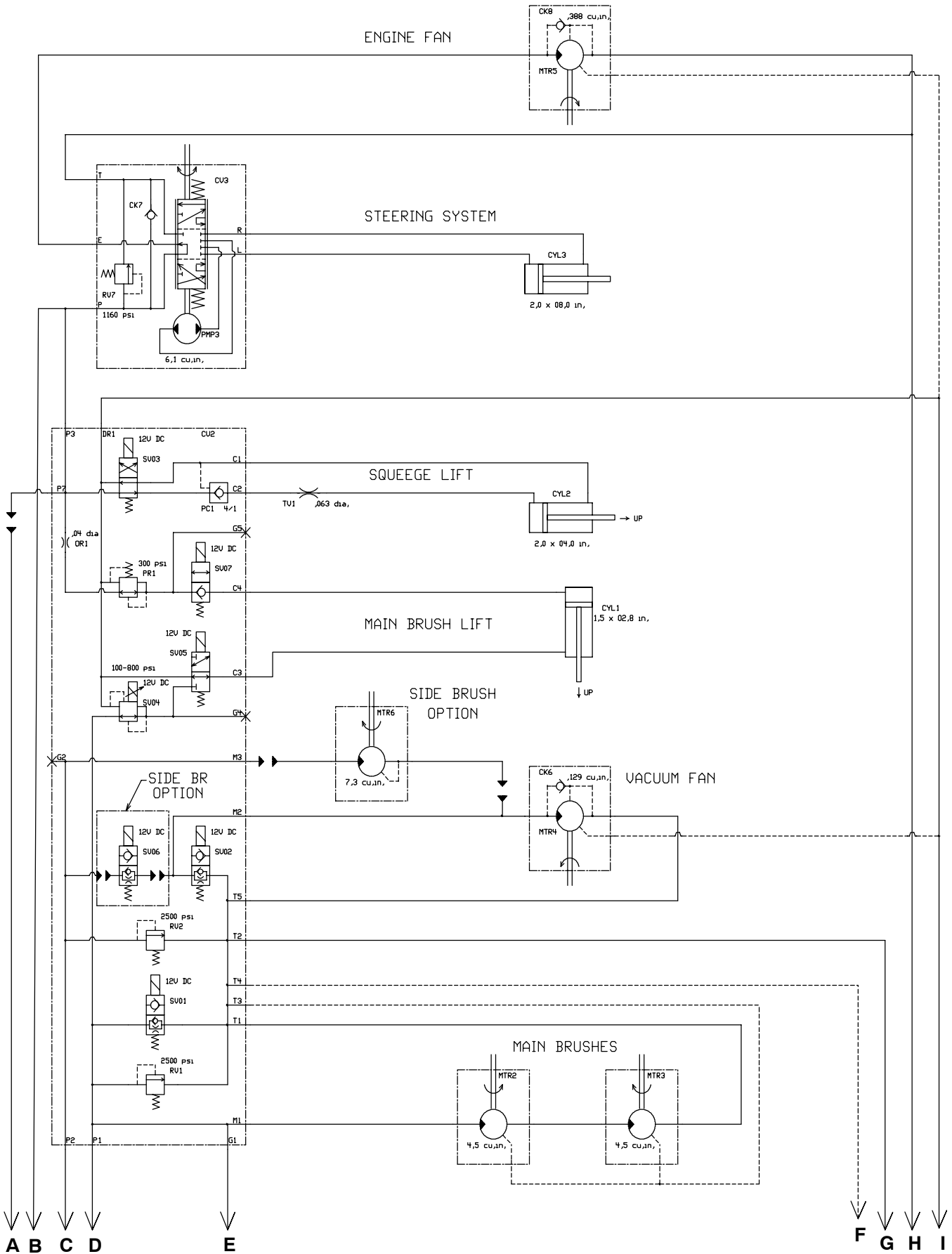
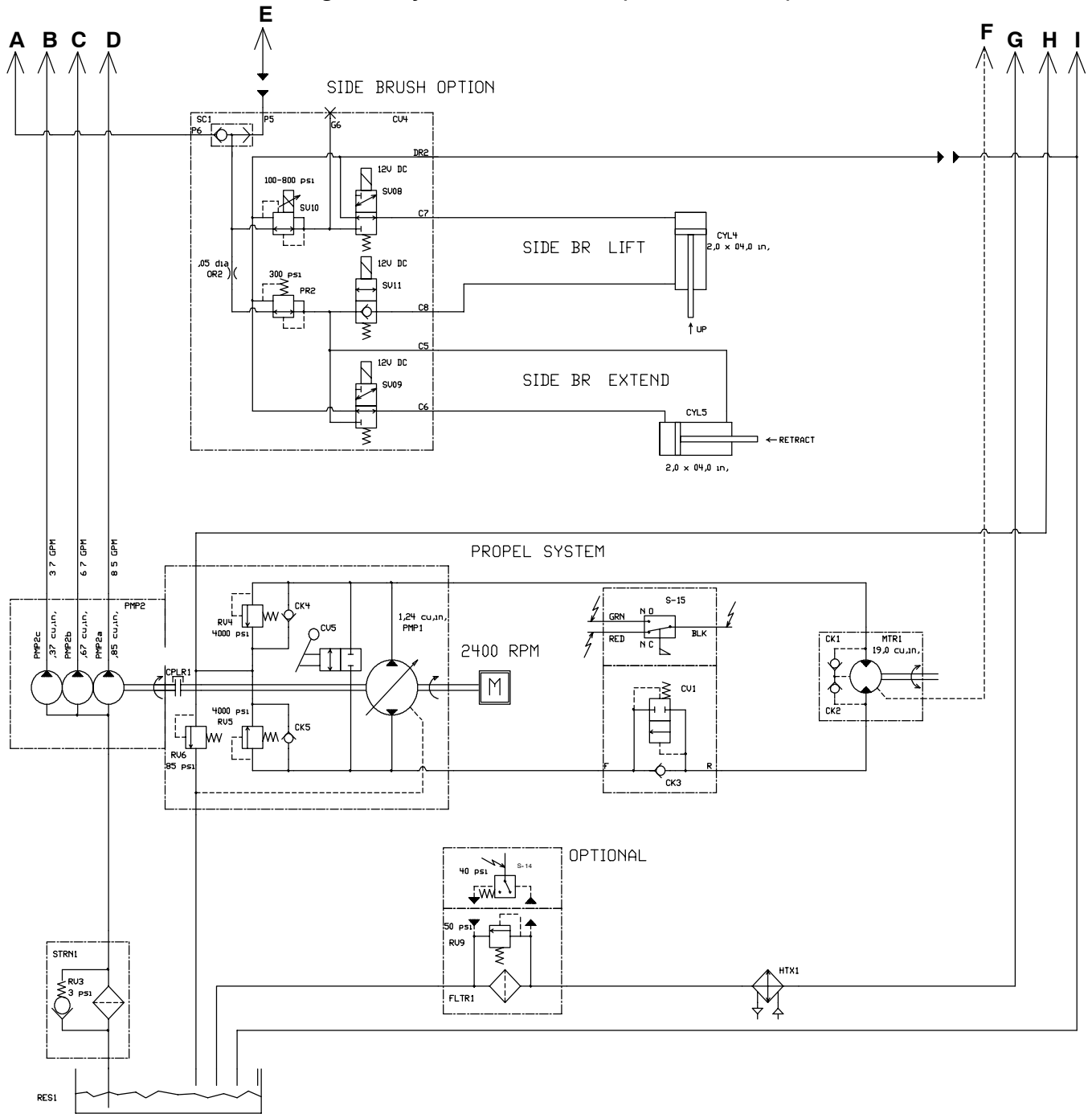
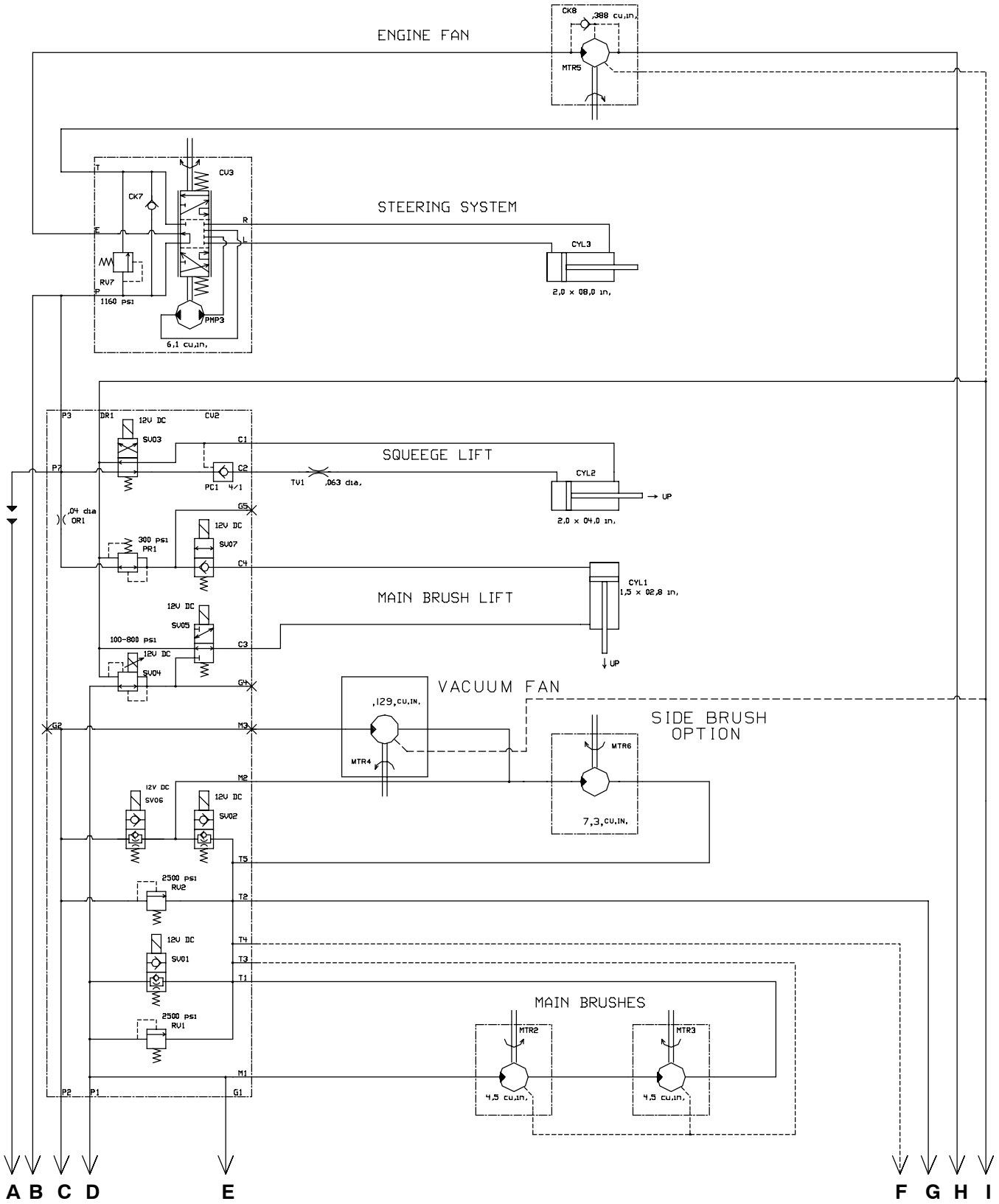


Fig. 35 - Hydraulic Schematic (000000-005613)



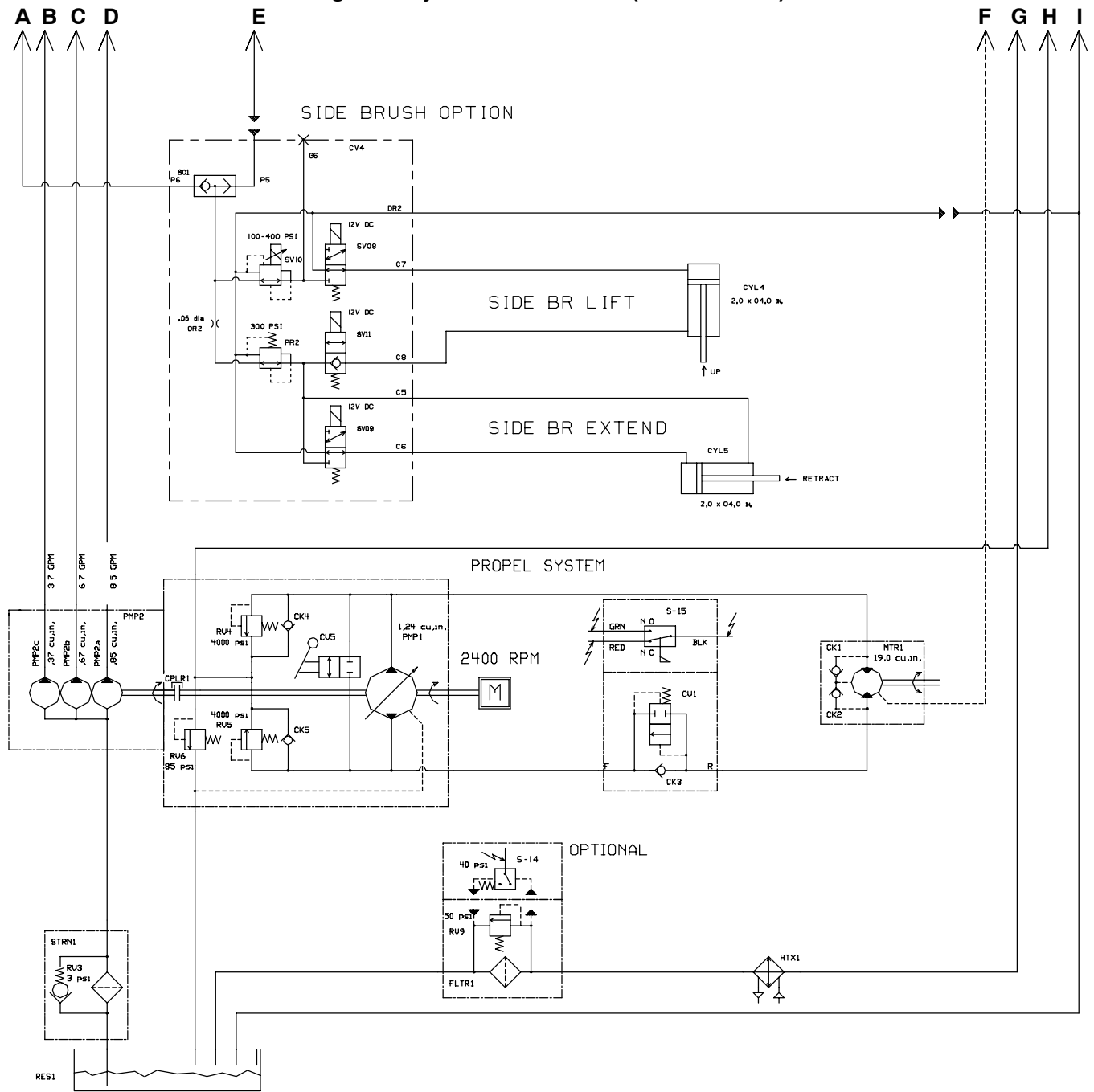
71700, 10794 - All

Fig. 36 - Hydraulic Schematic (005614-)



71700, 10794 - All

Fig. 36 - Hydraulic Schematic (005614-)



71700, 10794 - All

Fig. 37 - Hydraulic Hose Group

Ref.	Tennant Part No.	Machine Serial Number	Description	Qty.
1	34355	(000000-) Hose-Hyd Med08 Jf/J9	5
2	57964	(000000-) Hose-Hyd Med04 Jf/J9	1
3	59567	(000000-) Hose-Hyd Med06	1
4	34379	(000000-) Hose-Hyd Med04 Jf/J9	1
5	71733	(000000-) Hose-Hyd Med06	1
6	62100	(000000-) Hose-Hyd Med06 Jf/Jf	1
7	49943	(000000-) Hose-Hyd Med06 Jf/Jf	2
8	59561	(000000-) Hose-Hyd	1
9	31610	(000000-) Hose-Hyd Med12 Jf/J9	1
10	71737	(000000-) Hose-Hyd Med12	1
11	71736	(000000-) Hose-Hyd Med12	1
12	71735	(000000-) Hose-Hyd Med06	1
13	55700	(000000-) Hose-Hyd Med04 Jf/Jf	1
14	55691	(000000-) Hose-Hyd Med04 Jf/Jf	1
15	82817	(000000-) Hose-Hyd Med04 Jf/J9	1
16	71754	(000000-) Hose-Hyd	1
17	77306	(000000-) Hose-Hyd Med04	1
18	71738	(000000-) Hose-Hyd Suc20	1
19	71744	(000000-) Hose-Hyd Ar10	1
20	71742	(000000-) Hose-Hyd Ar10	1
21	71743	(000000-) Hose-Hyd	1
22	71741	(000000-) Hose-Hyd Ar 08	1
23	71745	(000000-) Hose-Hyd	1
24	71740	(000000-) Hose-Hyd Ar08	1
25	71739	(000000-) Hose-Hyd Ar 04	1
26	56555	(000000-) Hose-Hyd Med06 Jf/Jf	1

Fig. 38 - Hydraulic Pumps Group

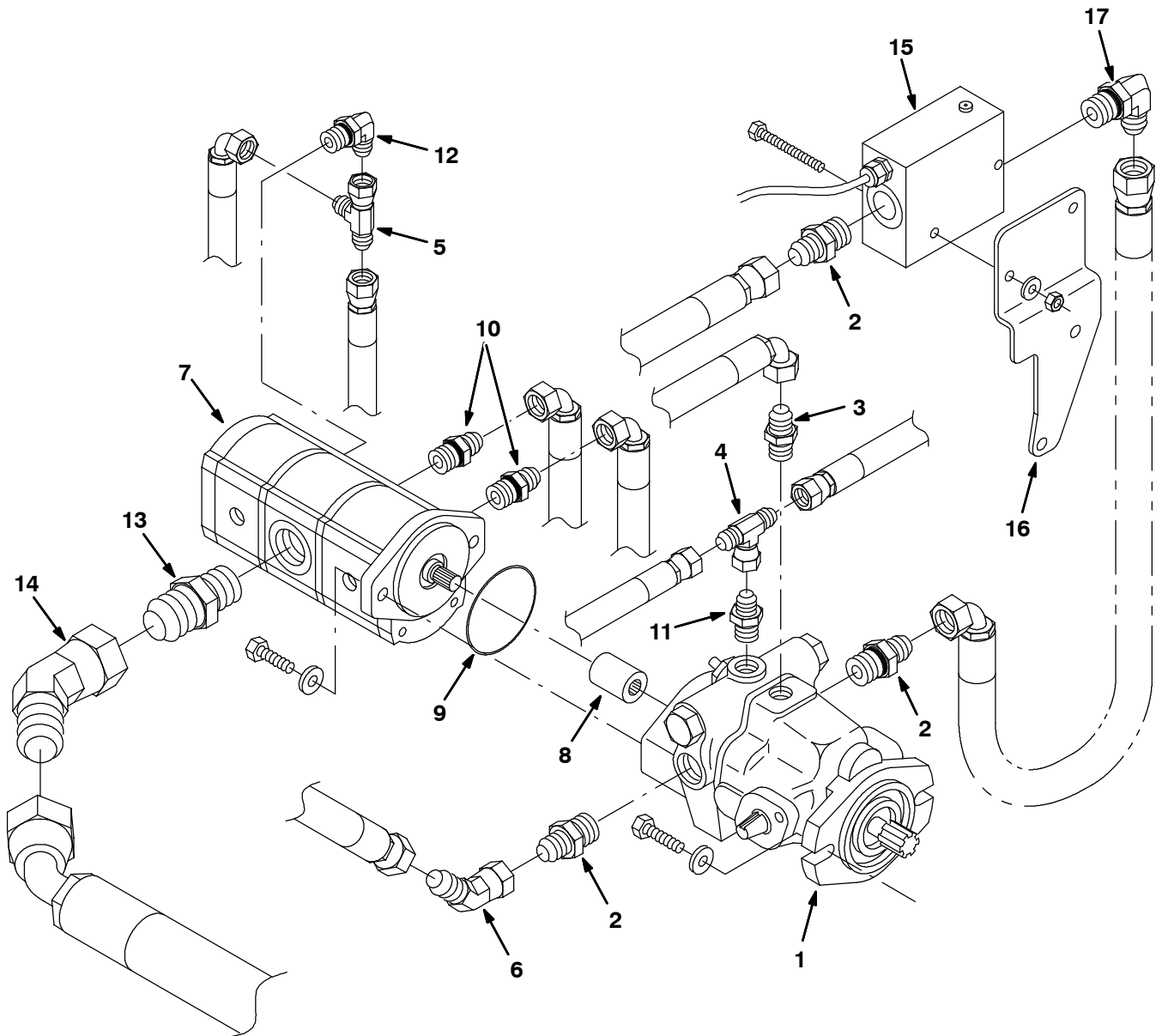


Fig. 38 - Hydraulic Pumps Group

Ref.	Tennant Part No.	Machine Serial Number	Description	Qty.
1	71720	(000000-) Pump, Hyd Piston V 1.24 R 4000 (See Breakdowns)	1
2	42223	(000000-) Ftg-Hyd Str Jm10/Om12	3
3	44869	(000000-) Ftg-Hyd Str Jm08/Om08	1
4	35586	(000000-) Ftg-Hyd Tee Jm06Jfjm	1
5	42215	(000000-) Ftg-Hyd Tee Jm06Jmjf	1
6	54017	(000000-) Ftg-Hyd E45 Jm10/Jf10	1
7	71716	(000000-) Pump, Hyd (See Breakdowns)	1
8	71721	(000000-) Coupler, Hyd Pump	1
9	65145-1	(000000-) O-Ring Gland	1
10	56692	(000000-) Ftg-Hyd Str Jm08/Om10	2
11	52402	(000000-) Ftg-Hyd Str Jm06/Om08	1
12	47512	(000000-) Ftg-Hyd E90 Jm06/Om08	1
13	67811	(000000-) Ftg-Hyd Str Jm20/Om16	1
14	19544	(000000-) Ftg-Hyd E45	1
15	73430	(000000-) Switch, Hyd Flow Sensor (See Breakdowns)	1
16	71723	(000000-) Bracket, Mtg, Flow Switch	1
17	53076	(000000-) Ftg-Hyd E90 Jm10/Om12	1

Fig. 39 - Hydraulic Valve Group

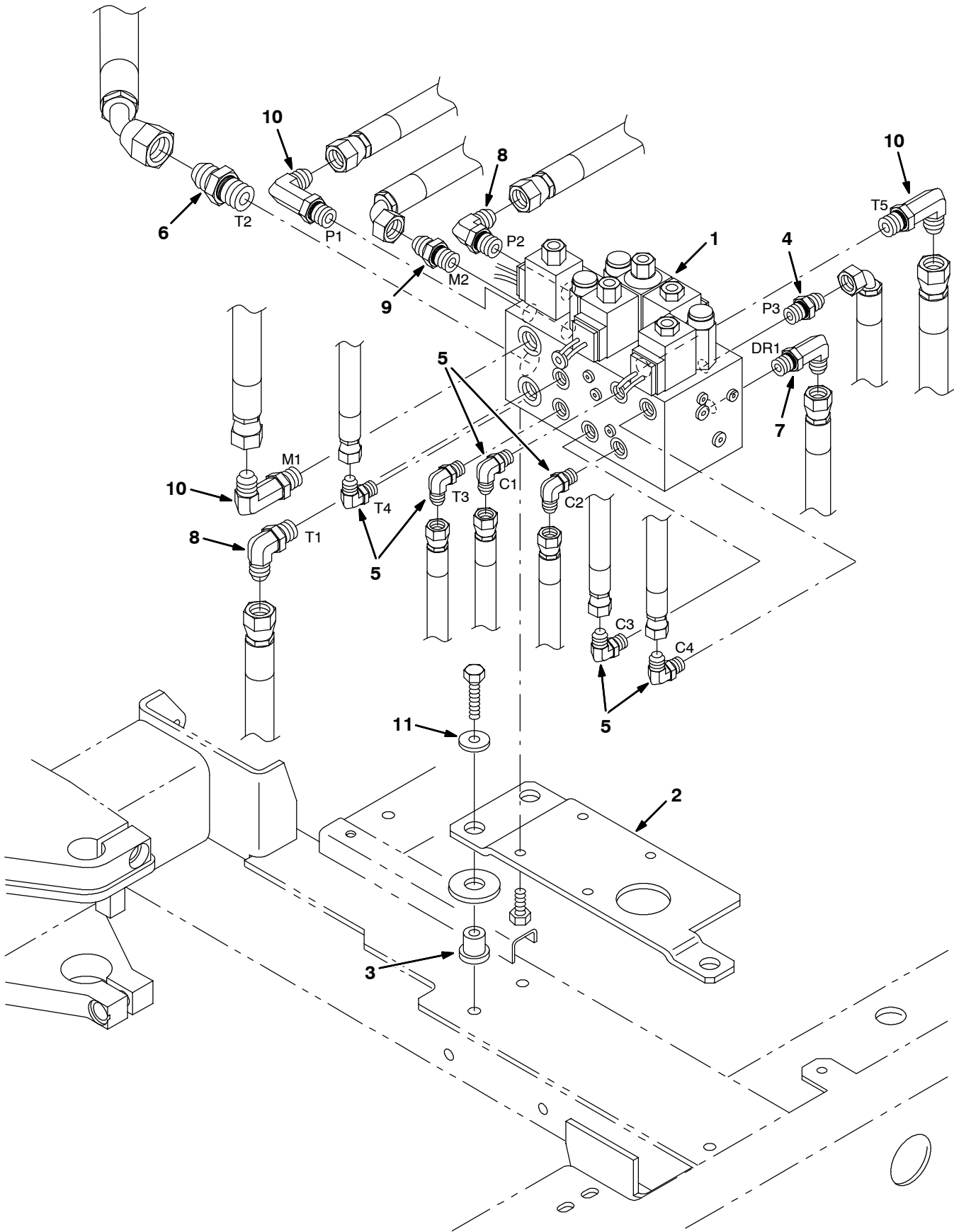


Fig. 39 - Hydraulic Valve Group

Ref.	Tennant Part No.	Machine Serial Number	Description	Qty.
1	71705	(000000-) Valve, Hyd Cntrl Sol (See Breakdowns)	1
1	71761	(000000-) Valve Assy, Nylon Brush (See Breakdowns)	1
2	71409	(000000-) Bracket, Mtg, Valve	1
3	54274	(000000-) Isolator-Vibration, 125Lb. Ratng	3
4	56690	(000000-) Ftg-Hyd Str Jm06/Om06	1
5	77097	(000000-) Ftg-Hyd E90 Jm04/Om04	6
6	42260	(000000-) Ftg-Hyd Str Jm12/Om12	1
7	71727	(000000-) Fitting-Hyd E90	1
8	44868	(000000-) Ftg-Hyd E90 Jm08/Om08	2
9	44869	(000000-) Ftg-Hyd Str Jm08/Om08	1
10	69173	(000000-) Ftg-Hyd E90 Jm08/Om08	3
11	13248	(000000-) Washer .400B 1.12D .12Cr Znc	3

Note: Scrub Brushes Must Be Matched With Proper Hydraulic Cartridge.

Fig. 40 - Hydraulic Reservoir Group

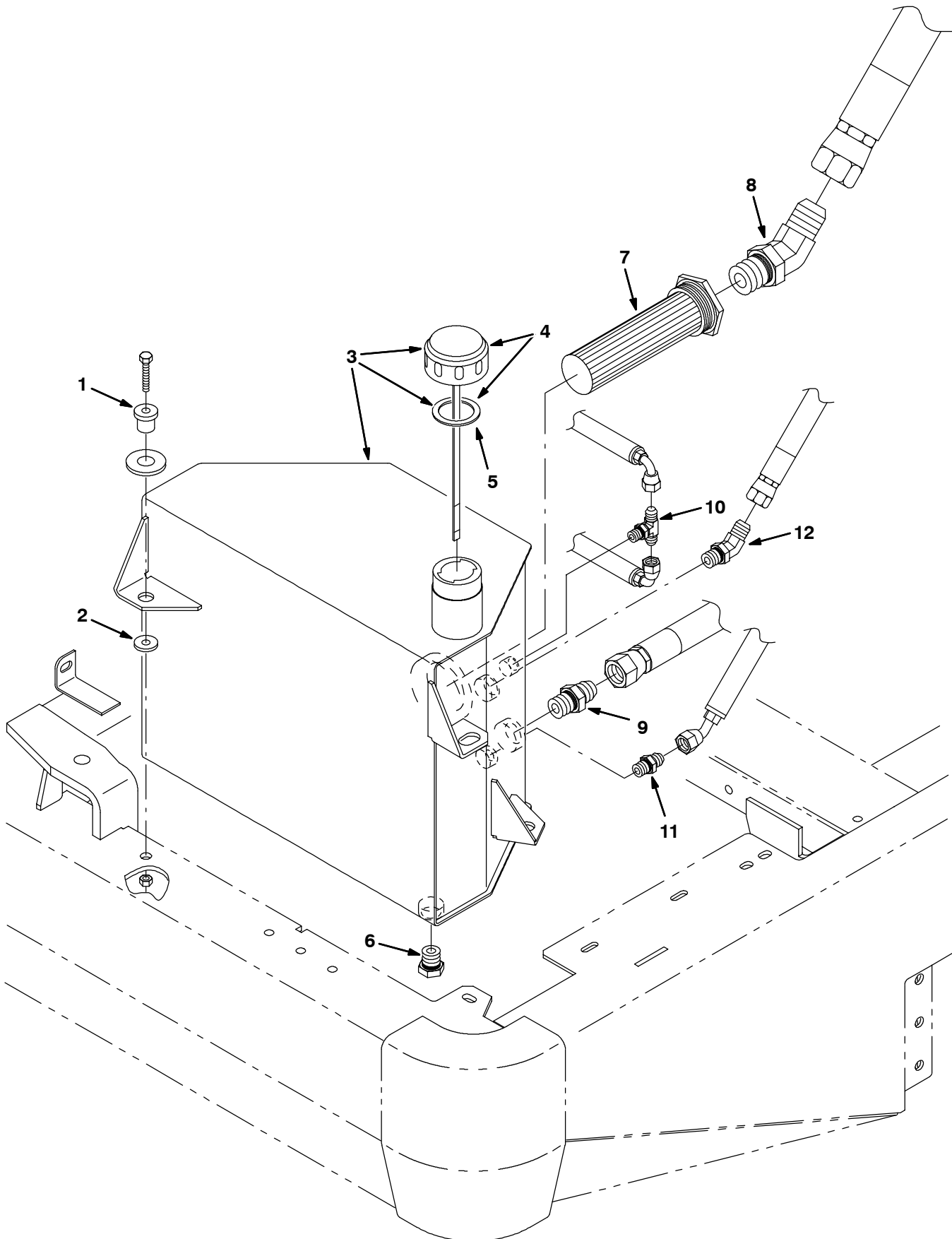


Fig. 40 - Hydraulic Reservoir Group

Ref.	Tennant Part No.	Machine Serial Number	Description	Qty.
1	54274	(000000-) Isolator-Vibration,125Lb.Ratng	3
2	13248	(000000-) Washer .400B 1.12D .12Cr Znc	3
▽ 3	71702	(000000-) Reservoir, Hyd 10.0Gal	1
▲▽ 4	71728	(000000-) Cap, Hyd, Breather 40Mic 7.0Ds	1
▲▲ 5	70006	(000000-) Gasket, Hyd Cap	1
6	40362	(000000-) Ftg-Hyd Plg Om10	1
7	31613	(000000-) Strainer-Hyd Suction 25-100-03	1
8	71726	(000000-) Fitting-Hyd E45	1
9	42260	(000000-) Ftg-Hyd Str Jm12/Om12	1
10	31599	(000000-) Ftg-Hyd Tee Jm04Omjm	1
11	56690	(000000-) Ftg-Hyd Str Jm06/Om06	1
12	42226	(000000-) Ftg-E45 Jm08/Om08	1

Fig. 41 - Hydraulic Filter and Cooler Group

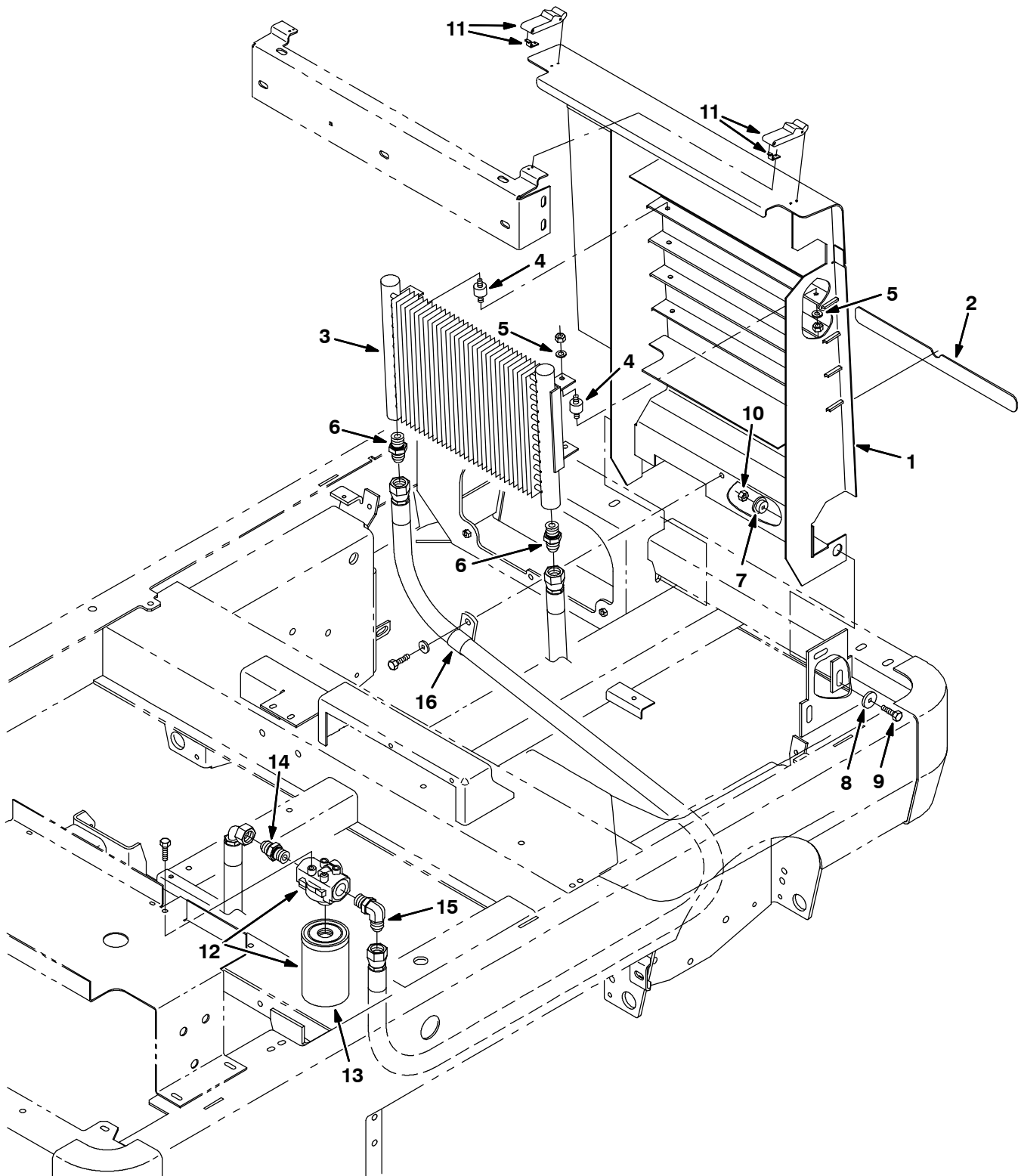


Fig. 41 - Hydraulic Filter and Cooler Group

Ref.	Tennant Part No.	Machine Serial Number	Description	Qty.
1	71911	(000000-) Grill Wldt	1
2	20946	(000000-) Strip, Rubber	1
3	20862	(000000-) Cooler, Hyd	1
4	51322	(000000-) Isolator-Vibration .31-18	4
5	43952	(000000-) Washer-Loc Int .31 Ss	8
6	42260	(000000-) Ftg-Hyd Str Jm12/Om12	2
7	369845	(000000-) Pivot, Flanged	2
8	36996	(000000-) Washer	2
9	77347	(000000-) Scr Hexssm 10X1.5 35	2
10	08714	(000000-) Nut-Hxlocnyln M 10X1.5 Reg Ss	2
11	49800	(000000-) Latch, Elastic	2
▽	12	10664	(000000-) Filter Assy, Spin-On	1
▲	13	65221	(000000-) Element, Filter	1
	14	42260	(000000-) Ftg-Hyd Str Jm12/Om12	1
	15	46481	(000000-) Ftg-Hyd E90 Jm12/Om12	1
	16	58366	(000000-) Clamp,Cable 1.25Dia 1.00W Neo	1

Fig. 42 - Electrical Schematic

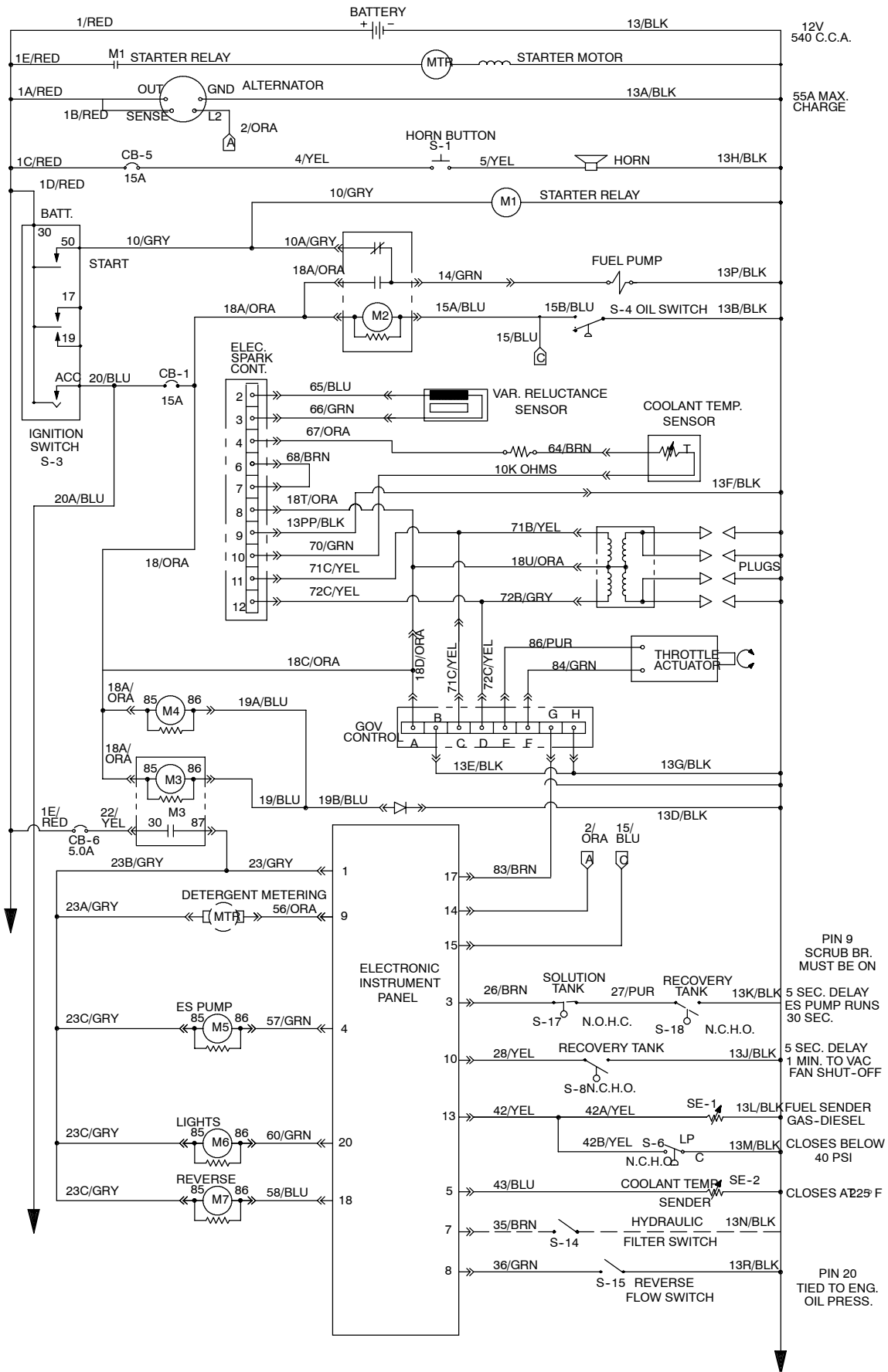


Fig. 42 - Electrical Schematic

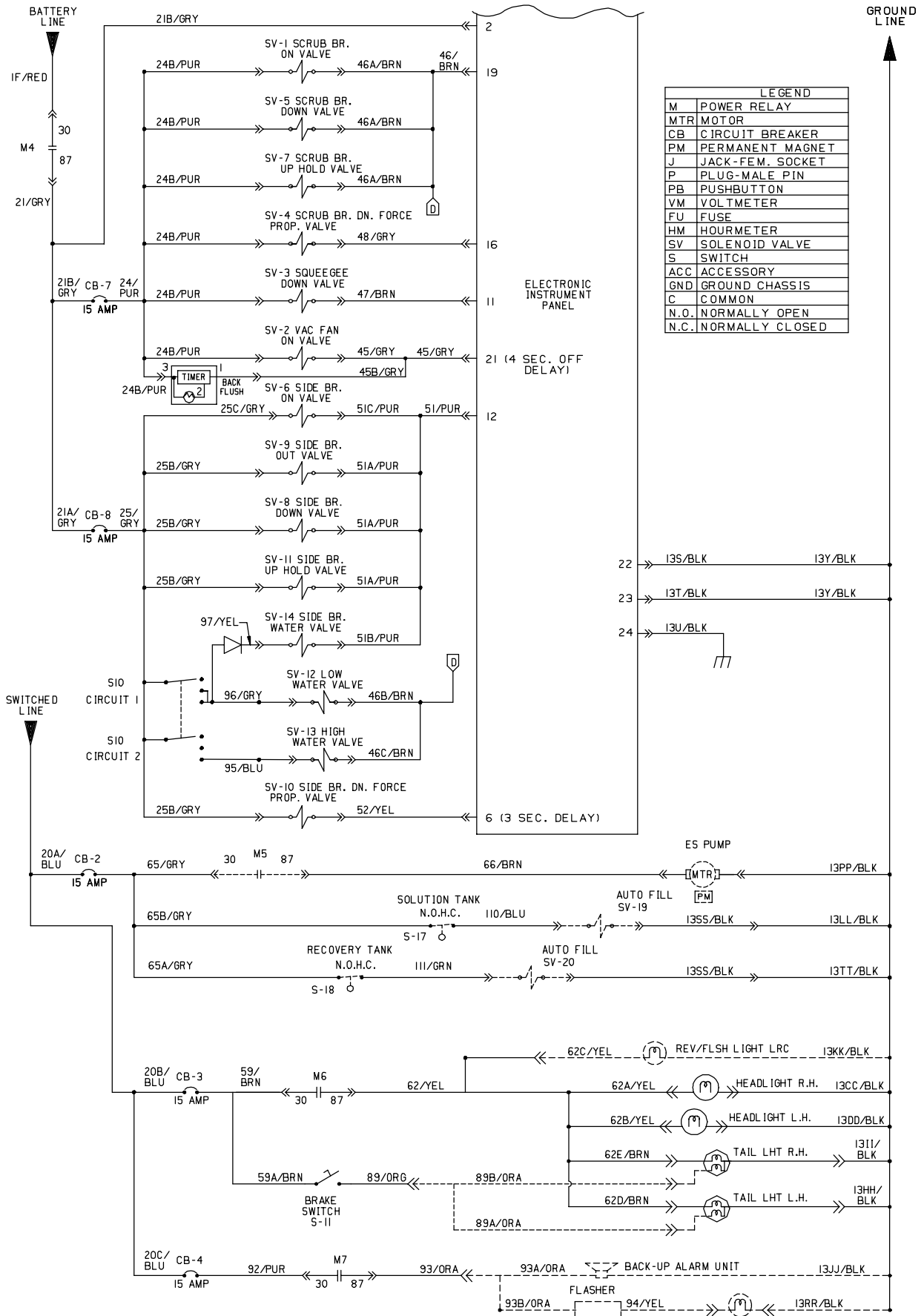


Fig. 43 - Wire Harness Group

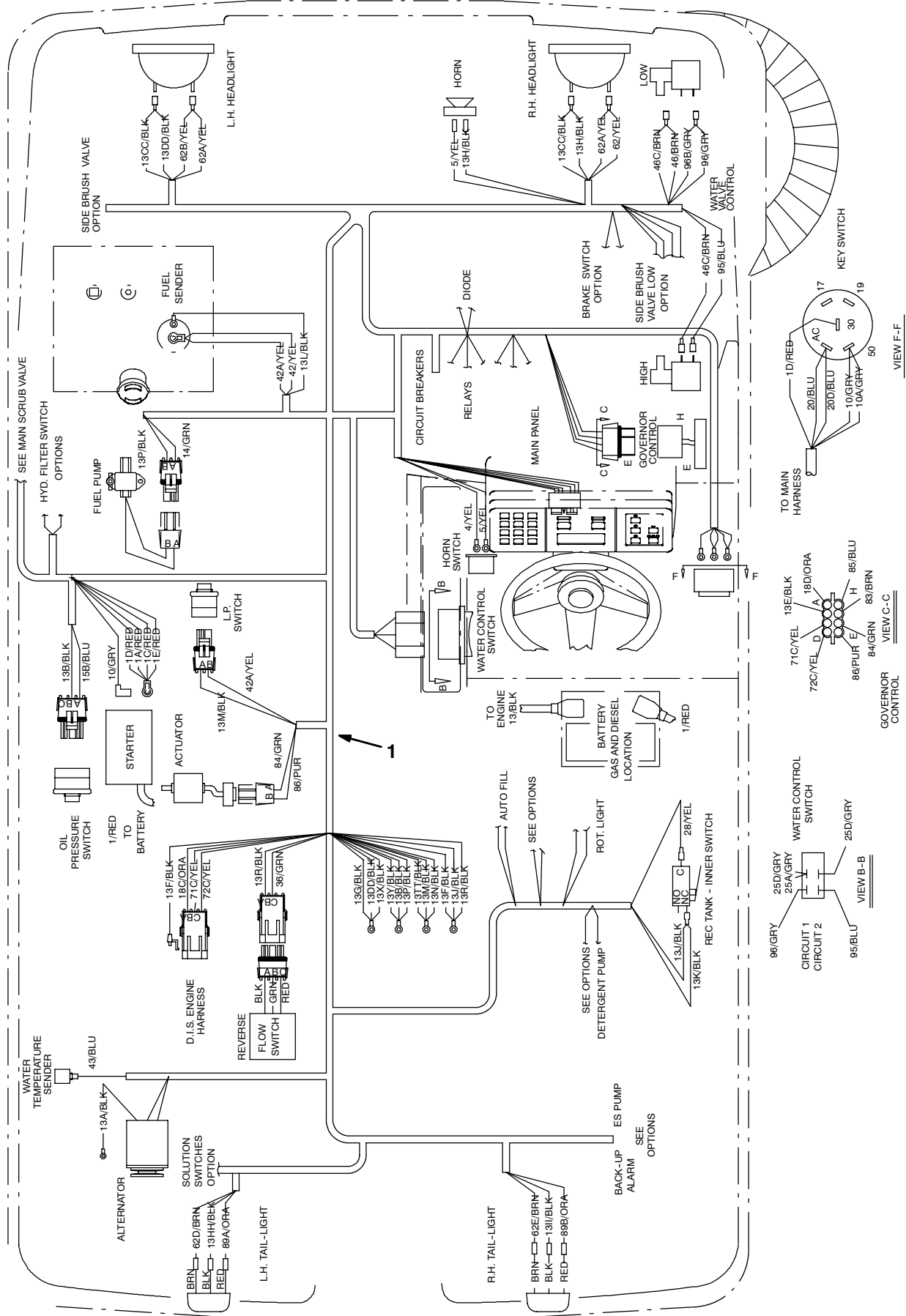


Fig. 43 - Wire Harnesses Group

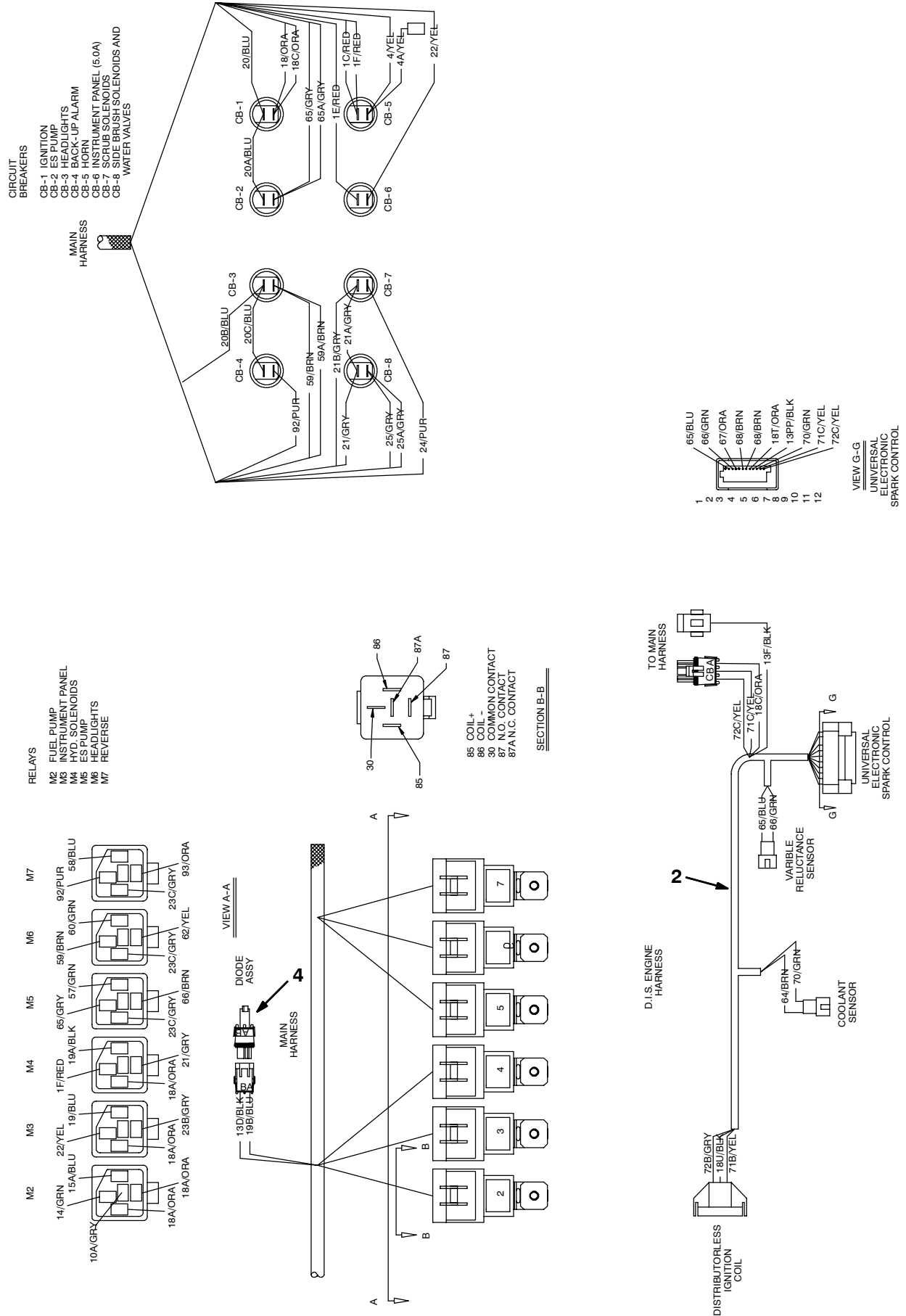
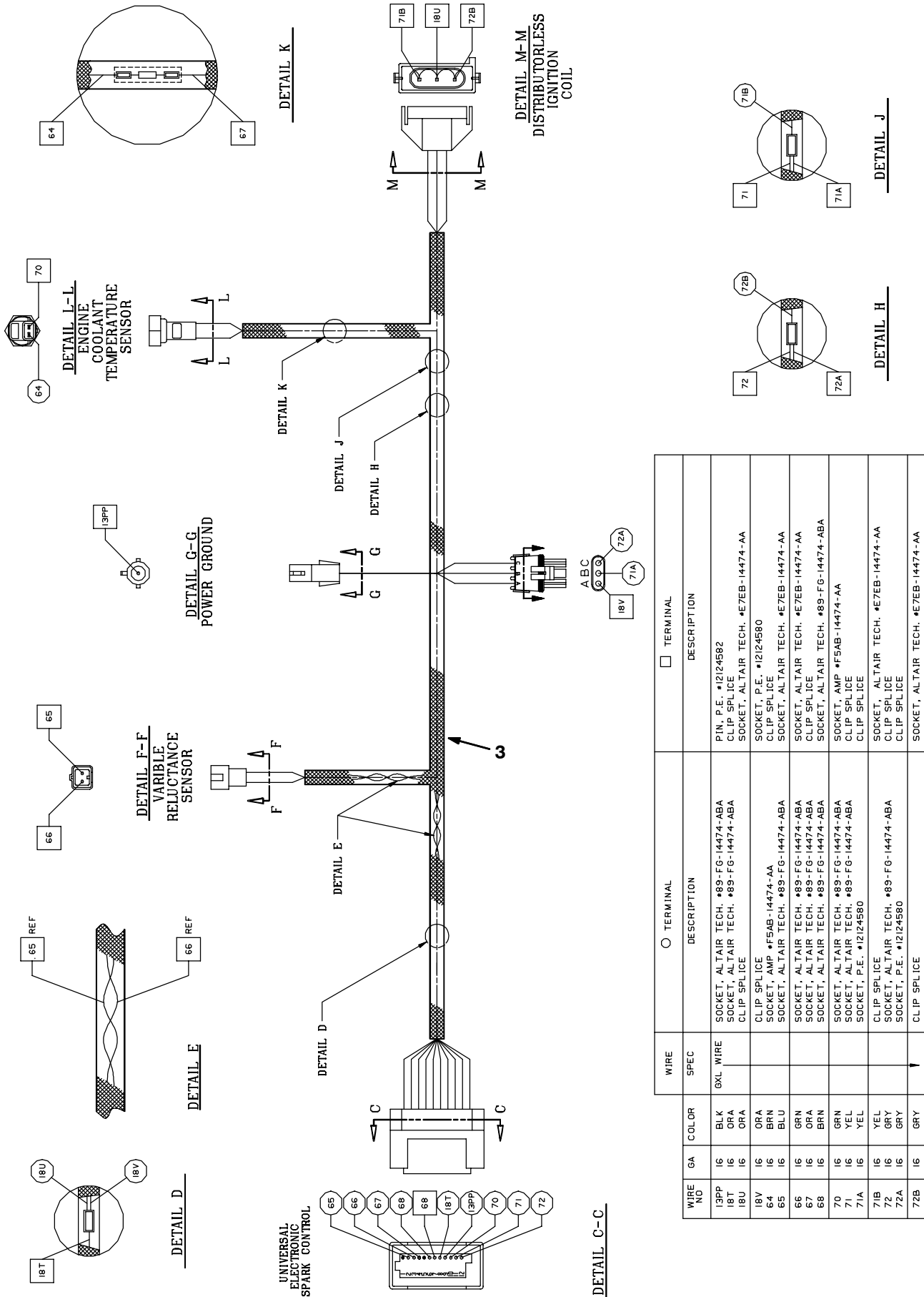


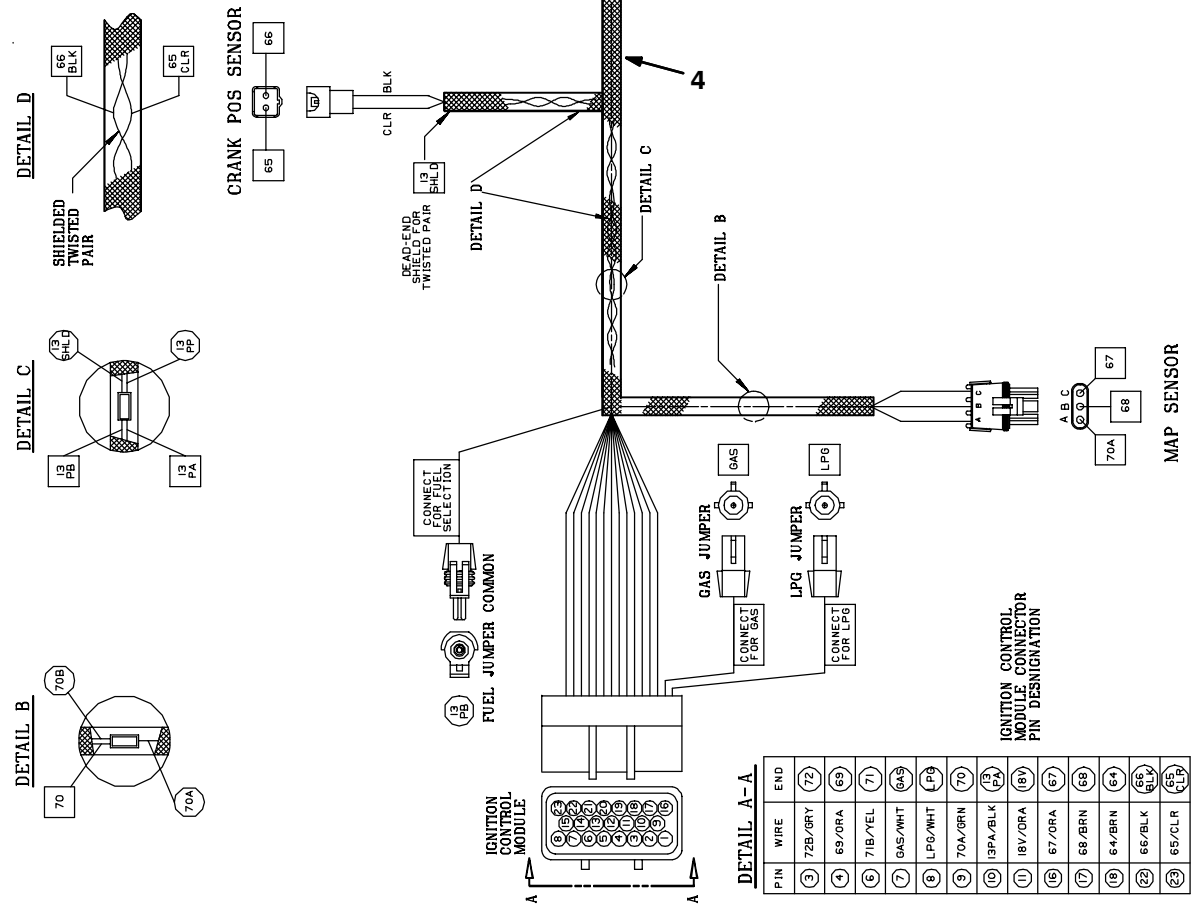
Fig. 43 - Wire Harness Group



WIRE NO	GA	COLOR	WIRE SPEC	TERMINAL	TERMINAL DESCRIPTION
13PP	16	BLK	ØXL WIRE	□	PIN, P.E. #12124582
18T	16	ORA		○	CLIP SPLICE
18U	16	ORA		□	SOCKET, ALTAIR TECH. #E7EB-14474-AA
18V	16	ORA		○	SOCKET, P.E. #12124580
64	16	BRN		○	CLIP SPLICE
65	16	BLU		○	SOCKET, ALTAIR TECH. #E7EB-14474-AA
66	16	GRN		○	SOCKET, ALTAIR TECH. #E7EB-14474-AA
67	16	ORA		○	CLIP SPLICE
68	16	BRN		○	SOCKET, ALTAIR TECH. #89-FG-14474-ABA
70	16	GRN		○	SOCKET, ALTAIR TECH. #89-FG-14474-ABA
71	16	YEL		○	CLIP SPLICE
71A	16	YEL		○	SOCKET, P.E. #12124580
71B	16	YEL		○	SOCKET, ALTAIR TECH. #E7EB-14474-AA
72	16	GRY		○	CLIP SPLICE
72A	16	GRY		○	SOCKET, P.E. #12124580
72B	16	GRY		○	CLIP SPLICE

Fig. 43 - Wire Harnesses Group

WIRE NO. GA	COLOR	SPEC	WIRE	TERMINAL	DESCRIPTION
13PA	BLK	GXL WIRE		○	CLIP SPLICE
13PB	BLK	GXL WIRE		○	CLIP SPLICE
13PP	BLK	GXL WIRE		○	CLIP SPLICE
13SHLD	BARE	BARE WIRE		○	TERMINATE AT END OF BRAIDING
18V	ORA	GXL WIRE		○	SOCKET, WP, PACKARD # 12124580
64	BRN	GXL WIRE		○	SOCKET, AMP # F5AB-14474-AA
65	CLR	SHIELD/TWIST-PAIR		○	SOCKET, ALTAIR TECH. # E7EB-14474-AA
66	18	BLK	GXL WIRE	○	SOCKET, AMP # 770854-1
67	18	ORA	GXL WIRE	○	SOCKET, AMP # 770854-1
68	18	BRN	GXL WIRE	○	SOCKET, AMP # 770854-1
69	18	ORA	GXL WIRE	○	SOCKET, AMP # 770854-1
70	18	GRN	GXL WIRE	○	SOCKET, AMP # 770854-1
70A	18	GRN	GXL WIRE	○	CLIP SPLICE
70B	18	GRN	GXL WIRE	○	SOCKET, AMP # F5AB-14474-AA
71A	18	YEL	GXL WIRE	○	CLIP SPLICE
71B	18	YEL	GXL WIRE	○	SOCKET, WP, PACKARD # 12124580
72	18	GRY	GXL WIRE	○	SOCKET, AMP # 770854-1
72A	18	GRY	GXL WIRE	○	SOCKET, WP, PACKARD # 12124580
72B	18	GRY	GXL WIRE	○	CLIP SPLICE
GAS	18	GRY	GXL WIRE	○	SOCKET, AMP # 770854-1
LPG	18	WHT	GXL WIRE	○	SOCKET, AMP # 770854-1



DETAIL D
SHIELDED TWISTED PAIR
66 BLK
65 CLR

DETAIL C
13 PB
13 SHLD
13 PA

DETAIL B
70
70A
70B

CRANK POS SENSOR
65
66

DEAD-END SHIELDED FOR SHIELDED TWISTED PAIR
13 SHLD
CLR
BLK

FUEL JUMPER COMMON
CONNECT FOR FUEL SELECTION
13 PB

DETAIL A-A
P-IN WIRE END
① 72B/GRY 72
② 69/ORA 69
③ 71B/YEL 71
④ GAS/WHT 6AS
⑤ LPG/WHT LP3
⑥ 70A/BRN 70
⑦ 13PA/BLK 13A
⑧ 18V/ORA 18V
⑨ 67/ORA 67
⑩ 68/BRN 68
⑪ 64/BRN 64
⑫ 66/BLK 66
⑬ 65/CLR 65

IGNITION CONTROL MODULE CONNECTOR PIN DESIGNATION
A B C
① ② ③

MAIN HARNESS 12V NEG
13PP
A B C
① ② ③

MAIN HARNESS CONNECTOR
18V
A B C
① ② ③

DETAIL E
72
72A
72B

DETAIL F
71
71A
71B

COOLANT TEMP SENSOR
64
70B
GROUND

DISTRIBUTORLESS IGNITION COIL
71B COIL FOR CYL 1 & 4
69 COIL B
72B COIL FOR CYL 2 & 3

MAP SENSOR
67
68
70A

Fig. 43 - Wire Harnesses Group

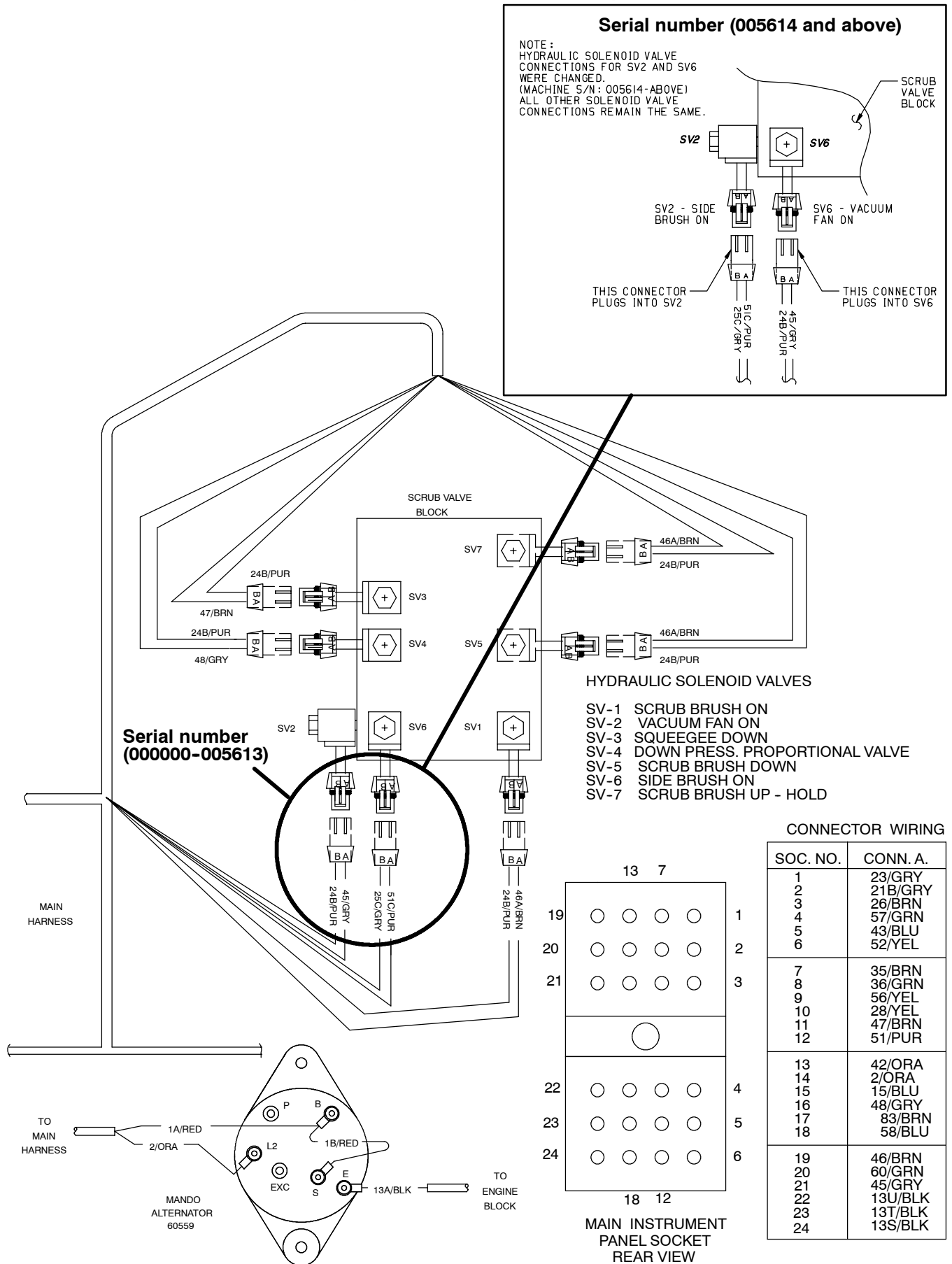


Fig. 43 - Wire Harnesses Group

Ref.	Tenant Part No.	Machine Serial Number	Description	Qty.
1	71625	(000000-)	Harness, Main G/Lp 7400	1
2	60281	(000000-003235)	Harness, Engine 355L Gas&Lpg	1
3	71459	(003246-005503)	Harness, Engine Vsg411/413	1
4	398509	(005504-)	Harness, Engine, Gas/Lpg	1
5	73445	(000000-)	Diode Assy	1

Fig. 44 - Scrub Head Lift Group

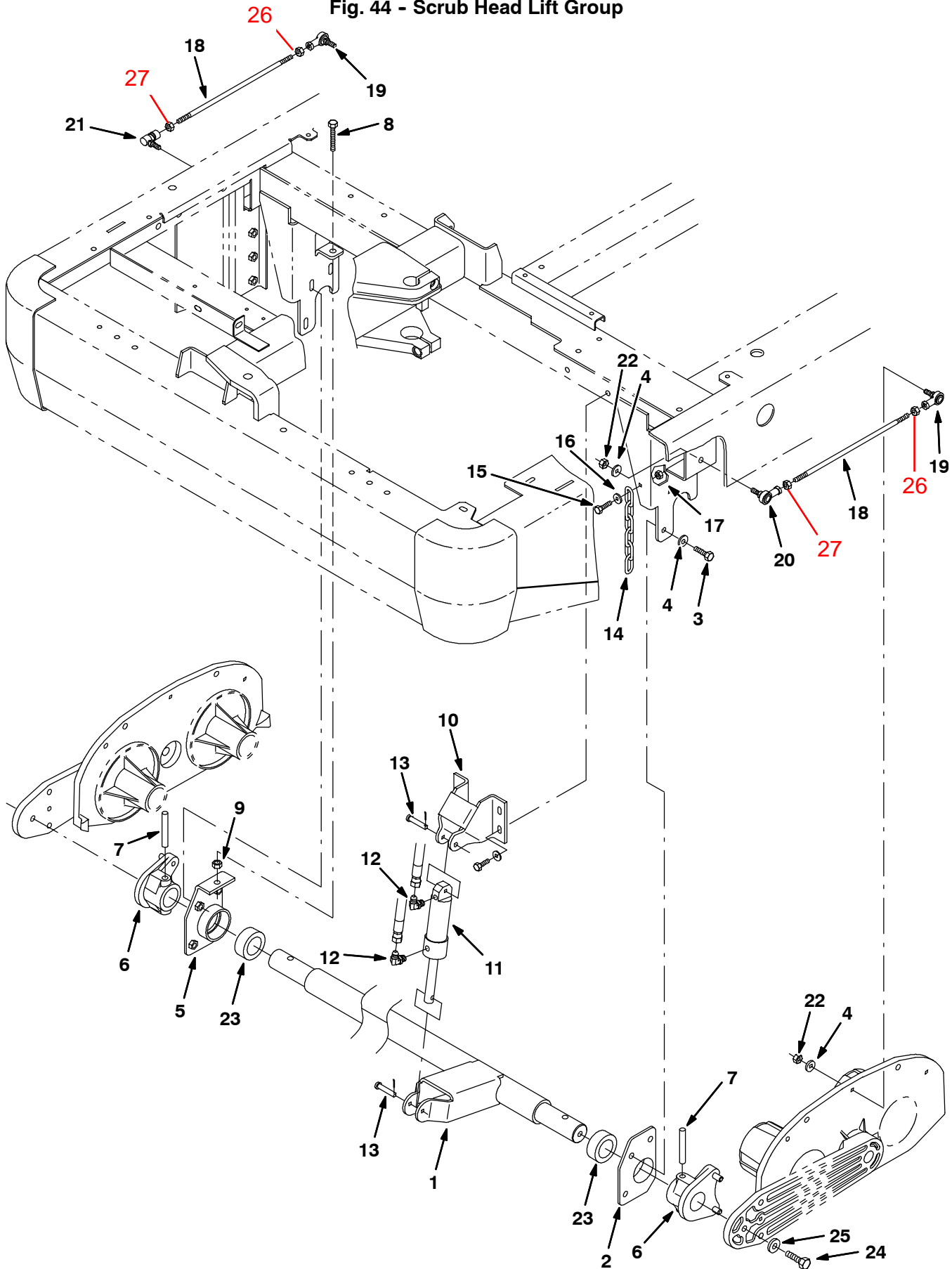


Fig. 44 - Scrub Head Lift Group

Ref.	Tennant Part No.	Machine Serial Number	Description	Qty.
1	56139	(000000-) Shaft Wldt, Torque	1
2	56137	(000000-) Housing Wldt, Bearing Lh	1
3	09028	(000000-) Scr Hexssm 10X1.5 25	6
4	01686	(000000-) Washer Flt .38 Ss	10
5	56136	(000000-) Housing Wldt, Bearing Rh	1
6	56103	(000000-) Hub Assy, Mounting, Brush	2
7	56167	(000000-) Pin, Dowel, .50, 3.5L	2
8	06419	(000000-) Scr-Hex Ssm10X1.5 70 Full Thd	1
9	07787	(000000-) Nut Hx Std Ss M10X1.5	1
10	25684	(000000-) Bracket, Cylinder	1
11	379030	(000000-) Cylinder, Hyd 1.5B 02.8S 2500	1
12	77097	(000000-) Ftg-Hyd E90 Jm04/Om04	2
13	94877	(000000-) Pin, Clevis 10D X 50L	2
14	48183	(000000-) Chain,Link#2/0,11Links,Zinc Pl	1
15	09011	(000000-) Scr Hexssm 8X1.25 30	1
16	01685	(000000-) Washer Flt .31 Ss	1
17	08713	(000000-) Nut-Hxlocnyln M 8X1.25 Reg Ss	1
18	56077	(000000-) Rod, 3/8-24 Rh/Lh Thread	2
19	86780	(000000-) Rod End .375-24 Lh W/Stud	2
20	86781	(000000-) Rod End .375-24 W/Stud	1
21	63282	(000000-) Ball Joint .375-24 Quick/Disc	1
22	50269	(000000-) Nut Hxlocnyln .38-24 Reg5518-8	4
23	56096	(000000-) Bearing, Nylon	2
24	06981	(000000-) Scr Hex M16X2.0 40	2
25	32494	(000000-) Washer Flt .62 Hard	2
26	82889	(000000-) Nut, Hex, Jam, .38-24, Lh	2
27	20171	(000000-) Nut, Hex, Jam, .38-24	2

Fig. 45 - Scrub Brush Housing Group

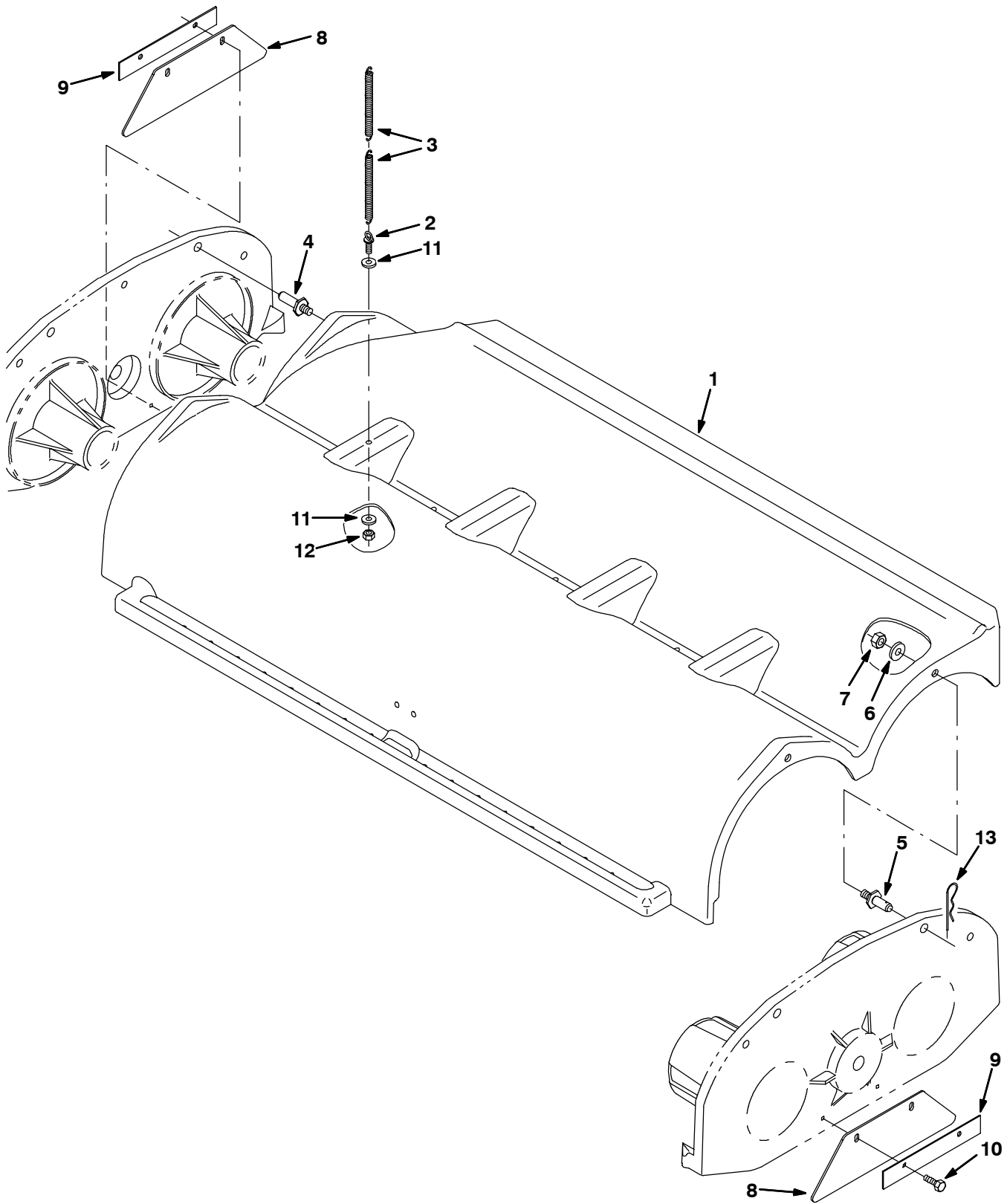


Fig. 45 - Scrub Brush Housing Group

Ref.	Tennant Part No.	Machine Serial Number	Description	Qty.
1	56148	(000000-) Housing, Brush	1
2	48079	(000000-) Bolt-Eye, .25-20Th .25B 1.4L	1
3	36542	(000000-) Sprng,Tens,0.38Odx.06Wire 6.0L	2
4	71630	(000000-) Pin, Guide	1
5	56149	(000000-) Pin, Guide	3
6	01686	(000000-) Washer Flt .38 Ss	4
7	08714	(000000-) Nut-Hxlocnyln M10X1.5 Reg 18-8	4
8	71200	(000000-) Skirt, Brush Arm	2
9	71201	(000000-) Retainer, Skirt, Brush	2
10	09007	(000000-) Screw, Hex, M06 X 1.0 X 25, Ss	4
11	32490	(000000-) Washer, Flt, .25 Std	2
12	32491	(000000-) Washer, Flt, .31 Std	1
13	05286	(000000-) Pin, Hair Cotter	2

Fig. 46 - Scrub Brush Drive Motor Group

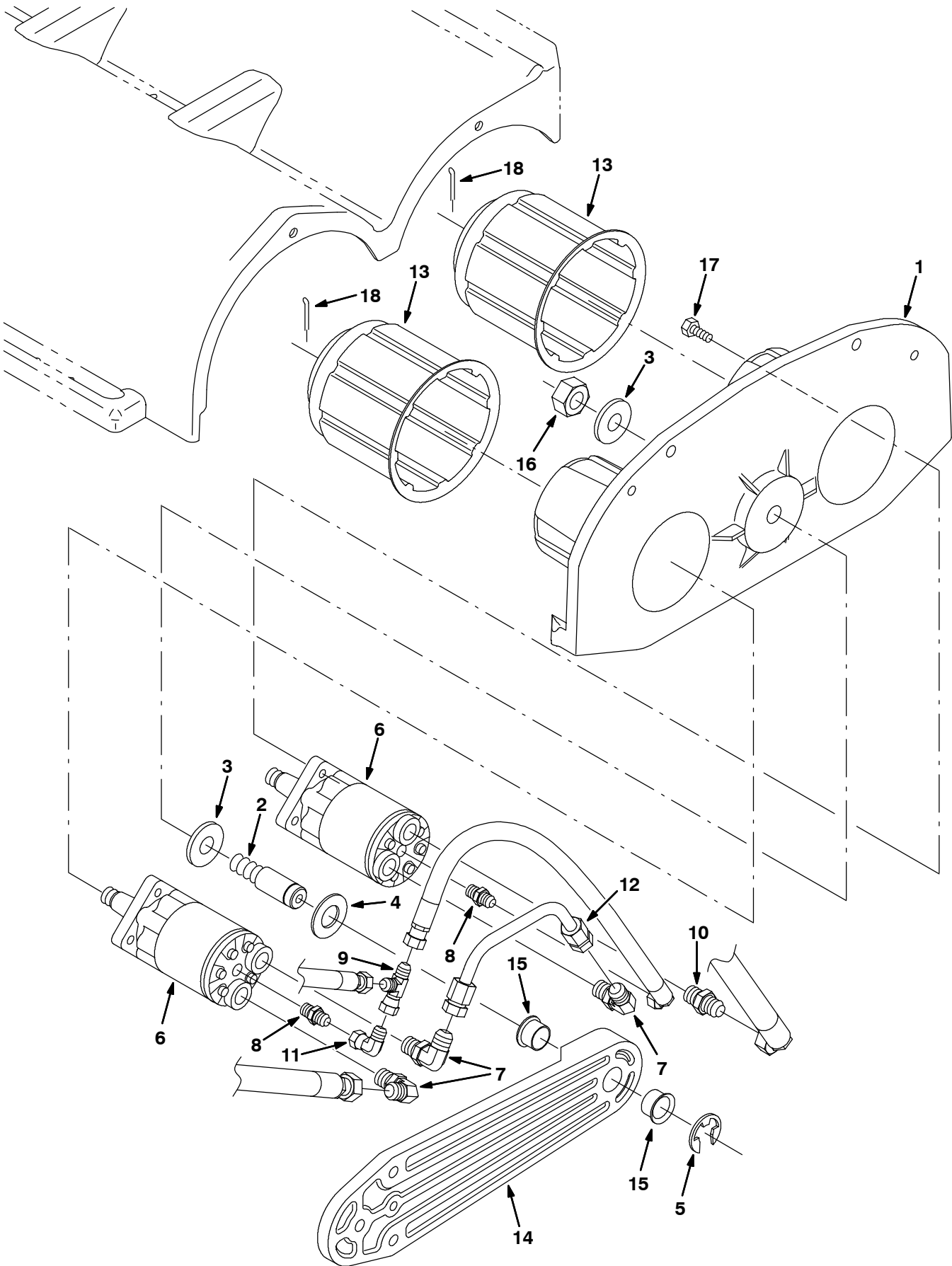


Fig. 46 - Scrub Brush Drive Motor Group

NOTE: Brush Drive Arm Assembly, Tennant Part Number 71660, includes Fig. 46 and Fig. 47.

Ref.	Tennant Part No.	Machine Serial Number	Description	Qty.
1	71610	(000000-) Plate, Mounting, Brush	1
2	56088	(000000-) Shaft, Pivot	1
3	39350	(000000-) Washer, Flt, .75 Sae	2
4	58677	(000000-) Bearing-Thrust, 1.031 Dia	1
5	23788	(000000-) Ring,Retain,Ex,0.98Od,E-Ring	1
6	71729	(000000-) Motor, Hyd Gear In 4.5 B 1500 (See Breakdowns)	2
7	44868	(000000-) Ftg-Hyd E90 Jm08/Om08	3
8	55586	(000000-) Ftg-Hyd Str Jm04/Om04	2
9	57988	(000000-) Ftg-Hyd Tee Jm04Jmjf	1
10	44869	(000000-) Ftg-Hyd Str Jm08/Om08	1
11	39210	(000000-) Ftg-Hyd E90 Jm04/Jf04	1
12	71166	(000000-) Tube, Hyd, Jf08	1
13	25686	(000000-) Plug Wldt, Brush Drive	2
14	56100	(000000-) Arm, Brush, Mach, Lh	1
15	56166	(000000-) Bearing, Flange	2
16	07783	(000000-) Nut, Hex, Std, M20 X 2.5	1
17	01762	(000000-) Screw, Hex, .38-16 X 0.75, NI	8
18	08182	(000000-) Pin, Cotter, .125 X 1.00	2

Fig. 47 - Left Side Squeegee Group

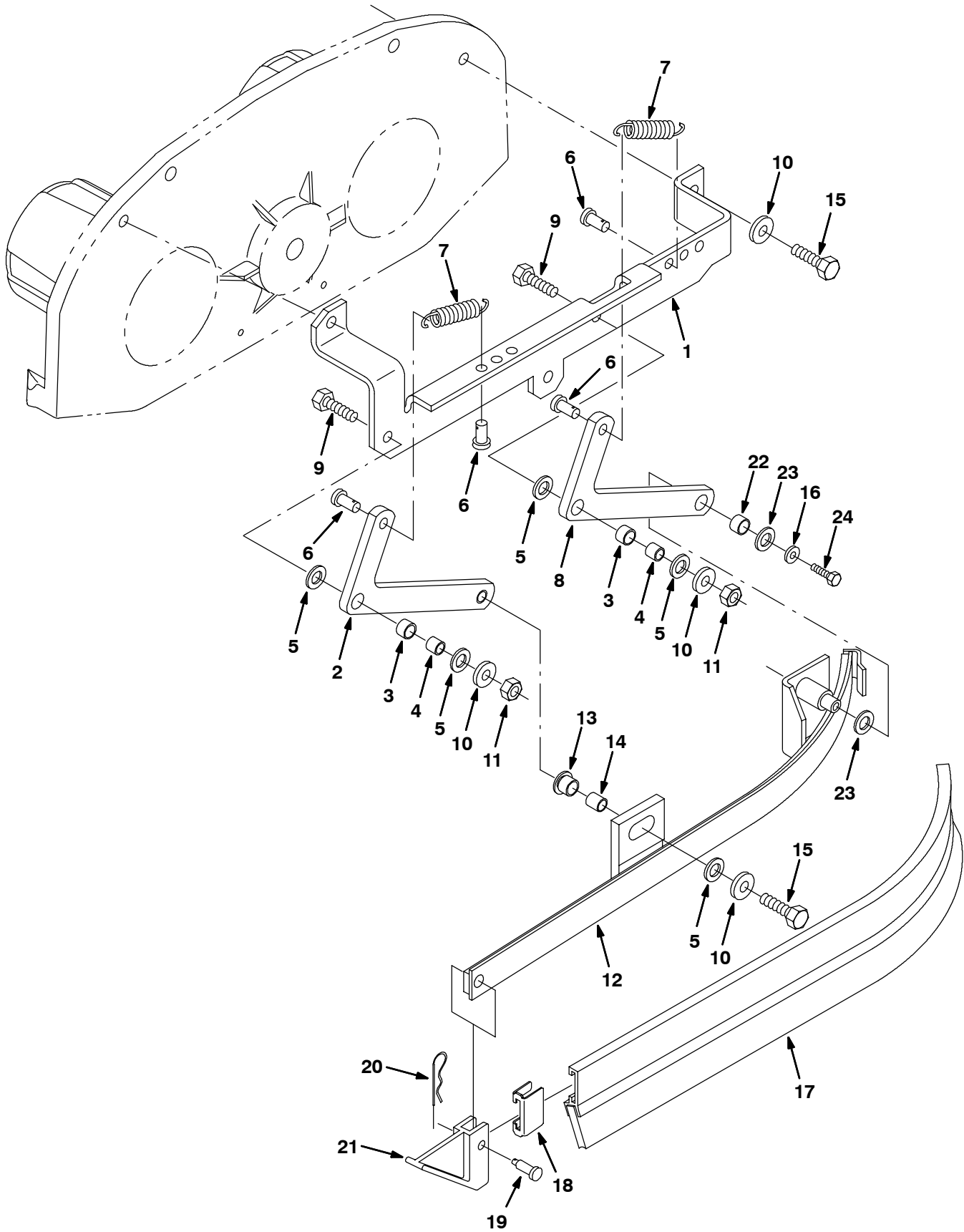


Fig. 47 - Left Side Squeegee Group

NOTE: Brush Drive Arm Assembly, Tennant Part Number 71660, includes Fig. 46 and Fig. 47.

Ref.	Tennant Part No.	Machine Serial Number	Description	Qty.
▽	25793	(000000-) Squeegee Assy, Side, Lh	1
▲ 1	25710	(000000-) Bracket, Squeegee, Lh	1
▲ 2	378952	(000000-) Arm, Sq Lift	1
▲ 3	71607	(000000-) Bearing, .625B X .38	2
▲ 4	71608	(000000-) Sleeve, Bearing .625Od X .515	2
▲ 5	64425	(000000-) Washer, ..656B 1.25D .06	5
▲ 6	39019	(000000-) Pin,Clevis,0.37 Dia.X 0.75 Lg	4
▲ 7	25737	(000000-) Spring, Ten,0.75Od.07Wire 3.5L	2
▲ 8	25709	(000000-) Arm, Lift, Squeegee	1
▲ 9	77347	(000000-) Screw Hexssm10X1.5 35	2
▲ 10	01686	(000000-) Washer Flt .38 Ss	6
▲ 11	08714	(000000-) Nut-Hxlocnyln M10X1.5 Reg 18-8	2
▲ 12	25719	(000000-) Frame Wldt, Sq Lh	1
▲ 13	25730	(000000-) Bearing, Flange .625B X .50	1
▲ 14	25736	(000000-) Sleeve, Bearing	1
▲ 15	09028	(000000-) Scr Hexssm 10X1.5 25	4 †
▲ 16	01684	(000000-) Washer Flt .25 Ss	1
▲ 17	86859	(000000-) Squeegee, Side	1
▲ 18	86759	(000000-) Retainer, Squeegee	1
▲ 19	69582	(000000-) Pin,Clevis,0.31 Dia X 1.00 Lg	1
▲ 20	44906	(000000-) Pin, Hair Cotter, 0.69 D .092 Wir	1
▲ 21	86865	(000000-) Guide, Side Squeegee	1
▲ 22	64173	(000000-) Bearing,.50X.38	1
▲ 23	86860	(000000-) Bearing, Thrust .500	2
▲ 24	09744	(000000-) Scr Hexssm 6X1.0	1

Fig. 48 - Scrub Brush Idler Group

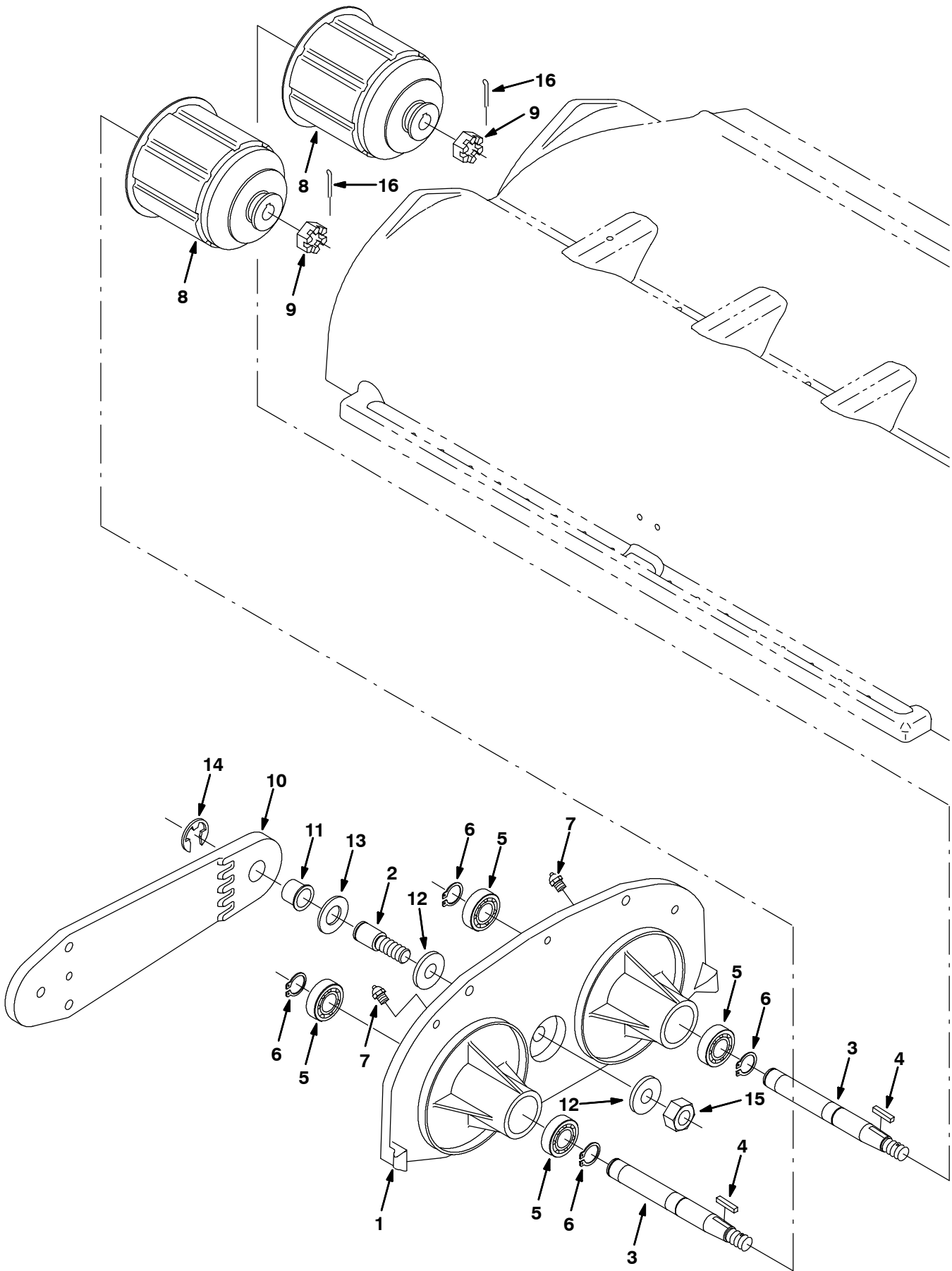


Fig. 48 - Scrub Brush Idler Group

NOTE: Brush Idler Arm Assembly, Tennant Part Number 71662, includes Fig. 48 and Fig. 49.

Ref.	Tennant Part No.	Machine Serial Number	Description	Qty.
1	71611	(000000-) Plate, Mtg, Brush	1
2	56113	(000000-) Shaft, Pivot, Rh	1
3	56078	(000000-) Shaft, Brush, Idler	2
4	00927	(000000-) Key Square 0.25 0.25 01.25 Lg	2
5	25797	(000000-) Bearing Kit, Idler	1
6	09005	(000000-) Ring,Retain,Ex,1.00Od,Basic	4
7	50270	(000000-) Fitting, Grease .12Nptf-Str	2
8	25686	(000000-) Plug Wldt, Brush Drive	2
9	12295	(000000-) Nut-Hxslot M20X2.5 8 Pltd	2
10	25689	(000000-) Arm, Brush, Mach, Rh	1
11	54618	(000000-) Bearing, Flange, 1.00 Bore	1
12	39350	(000000-) Washer, Flt, .75 Sae	2
13	58677	(000000-) Bearing-Thrust, 1.031 Dia	1
14	23788	(000000-) Ring,Retain,Ex,0.98Od,E-Ring	1
15	07783	(000000-) Nut, Hex, Std, M20 X 2.5	1
16	08182	(000000-) Pin, Cotter, .125 X 1.00	2

Fig. 49 - Right Side Squeegee Group

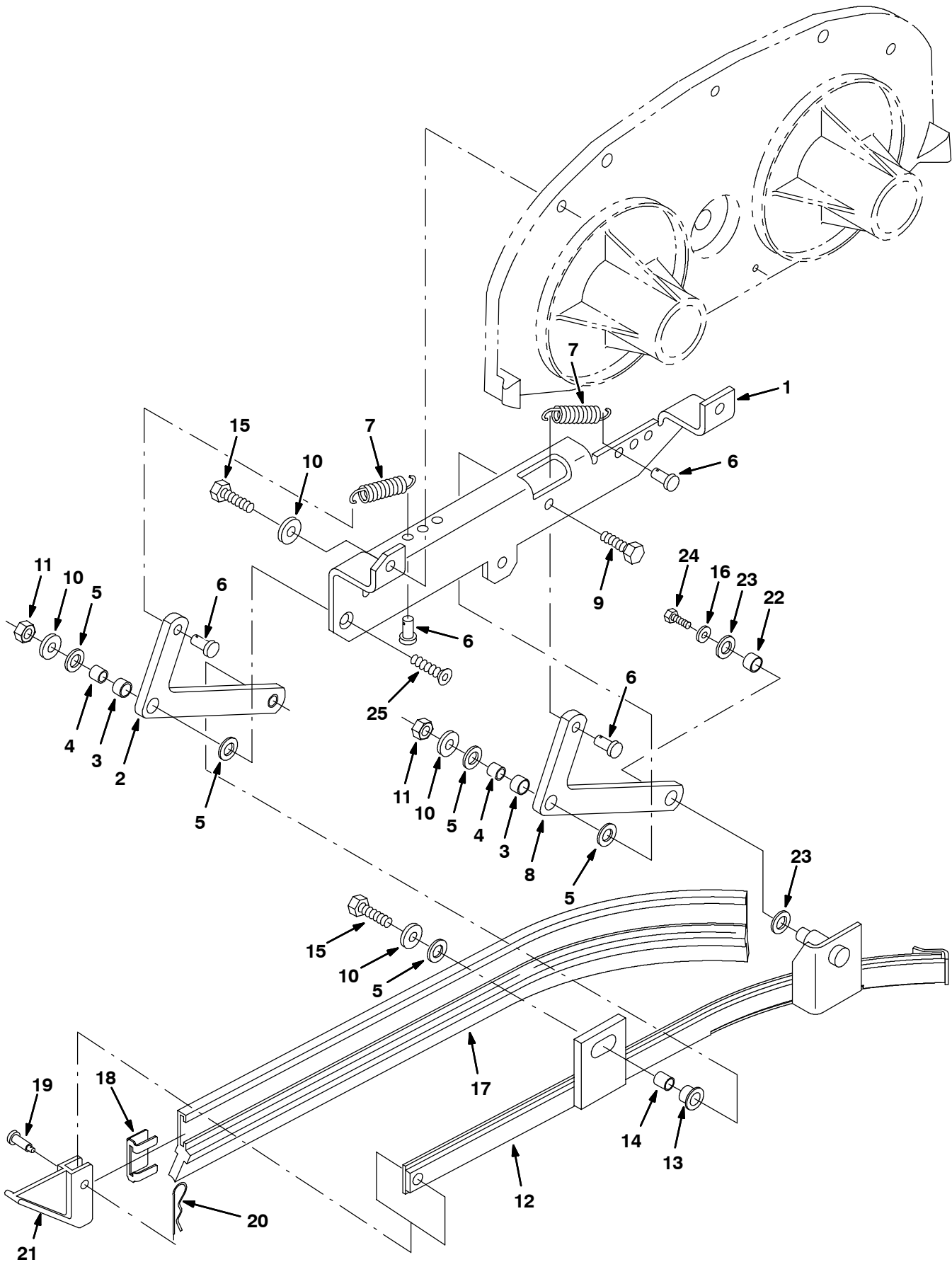


Fig. 49 - Right Side Squeegee Group

NOTE: Brush Idler Arm Assembly, Tennant Part Number 71662, includes Fig. 48 and Fig. 49.

Ref.	Tennant Part No.	Machine Serial Number	Description	Qty.
▽	25792	(000000-) Squeegee Assy, Side, Rh	1
▲ 1	391849	(000000-) Bracket, Sqge, Rh	1
▲ 2	378952	(000000-) Arm, Sq Lift	1
▲ 3	71607	(000000-) Bearing, .625B X .38	2
▲ 4	71608	(000000-) Sleeve, Bearing .625Od X .515	2
▲ 5	64425	(000000-) Washer, .656B 1.25D .06	5
▲ 6	39019	(000000-) Pin,Clevis,0.37 Dia.X 0.75 Lg	4
▲ 7	25737	(000000-) Spring, Ten,0.75Od.07Wire 3.5L	2
▲ 8	25709	(000000-) Arm, Lift, Squeegee	1
▲ 9	77347	(000000-) Screw Hexssm10X1.5 35	1
▲ 10	01686	(000000-) Washer Flt .38 Ss	6
▲ 11	08714	(000000-) Nut-Hxlocnyln M10X1.5 Reg 18-8	2
▲ 12	25733	(000000-) Frame Wldt, Sq Rh	1
▲ 13	25730	(000000-) Bearing, Flange .625B X .50	1
▲ 14	25736	(000000-) Sleeve, Bearing	1
▲ 15	09028	(000000-) Scr Hexssm 10X1.5 25	4
▲ 16	01684	(000000-) Washer Flt .25 Ss	1
▲ 17	86859	(000000-) Squeegee, Side	1
▲ 18	86759	(000000-) Retainer, Squeegee	1
▲ 19	69582	(000000-) Pin,Clevis,0.31 Dia X 1.00 Lg	1
▲ 20	44906	(000000-) Pin, Hair Cotter, 0.69 D .092 Wir	1
▲ 21	86865	(000000-) Guide, Side Squeegee	1
▲ 22	64173	(000000-) Bearing,.50X.38	1
▲ 23	86860	(000000-) Bearing, Thrust .500	2
▲ 24	09744	(000000-) Scr Hexssm 6X1.0	1
▲ 25	06535	(000000-) Screw, Flat M10X1.5	1

Fig. 50 - Debris Tray Frame Group

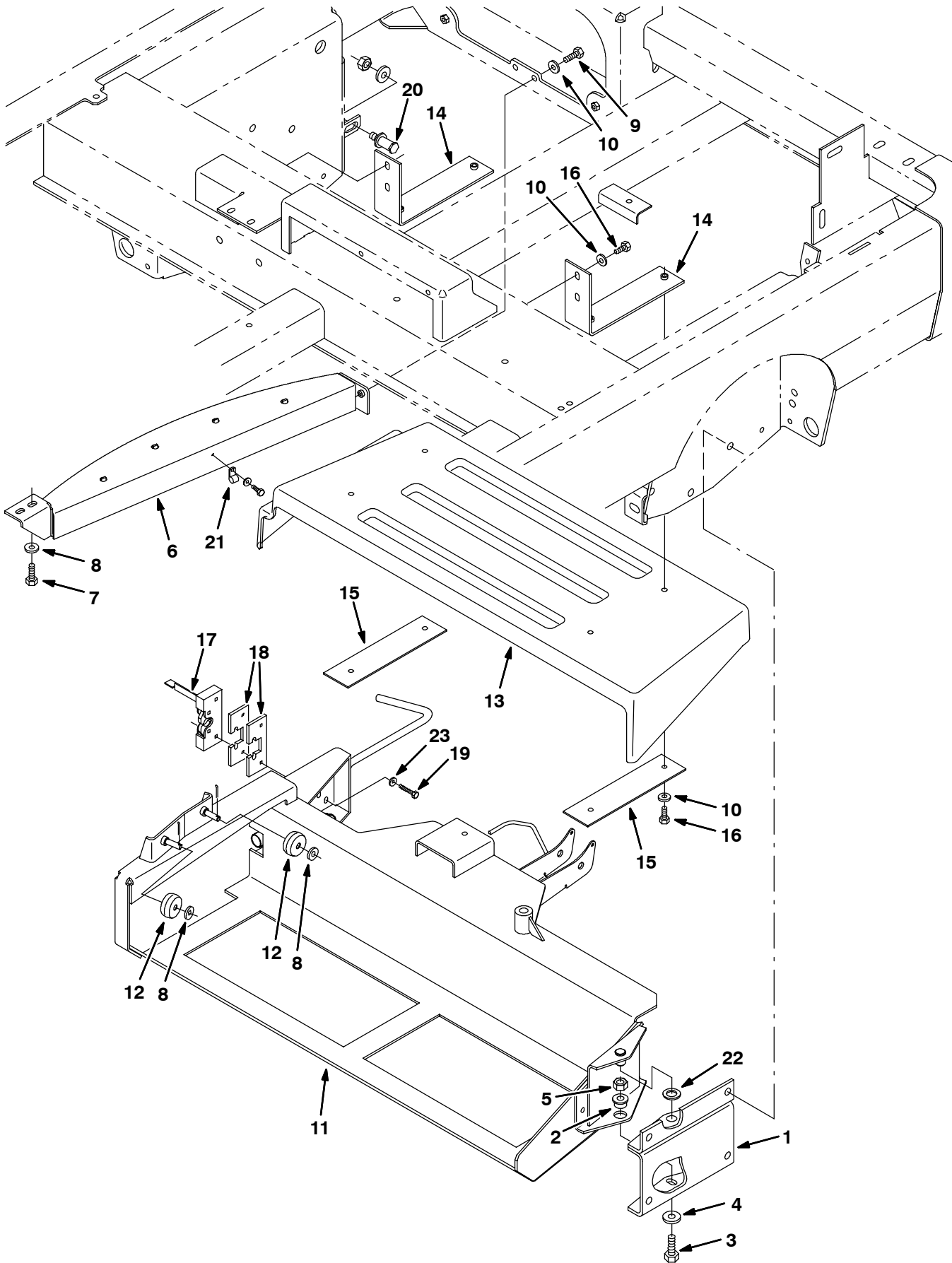


Fig. 50 - Debris Tray Frame Group

Ref.	Tennant Part No.	Machine Serial Number	Description	Qty.
1	71121	(000000-) Pivot Wldt, Tray	1
2	391804	(000000-) Sleeve, Pivot, Lower	1
3	09029	(000000-) Scr Hexssm 12X1.75 40	1
4	41619	(000000-) Washer Flt .50 Ss	1
5	09741	(000000-) Nut-Hxlocnynmm12X1.75 Reg Ss	1
6	71251	(000000-) Bracket, Wheel, Tray	1
7	09028	(000000-) Scr Hexssm 10X1.5 25	2
8	01686	(000000-) Washer Flt .38 Ss	4
9	09010	(000000-) Scr-Hexssm 8X1.25 25	2
10	01685	(000000-) Washer Flt .31 Ss	10
11	71263	(000000-) Tray Wldt, Debris	1
12	71106	(000000-) Wheel, Tray, 1.75 Dia	2
13	71261	(000000-) Cover, Tray	1
14	71083	(000000-) Bracket, Cover	2
15	71084	(000000-) Plate, Cover	2
16	09740	(000000-) Scr Hexssm 8X1.25	8
17	59194	(000000-) Latch, Hook, Lh	1
18	25714	(000000-) Spacer, Latch	2
19	07805	(000000-) Scr Hexssm 6X1.0 35	4
20	59192	(000000-) Latch, Bolt	1
21	40678	(000000-) Clamp-Cable, 0.44D 0.62W Stl	1
22	53782	(000000-) Bearing-Thrust 0.75B 1.25D .06W	1
23	01684	(000000-) Washer Flt .25 Ss	4

Fig. 51 - Debris Tray Trough Group

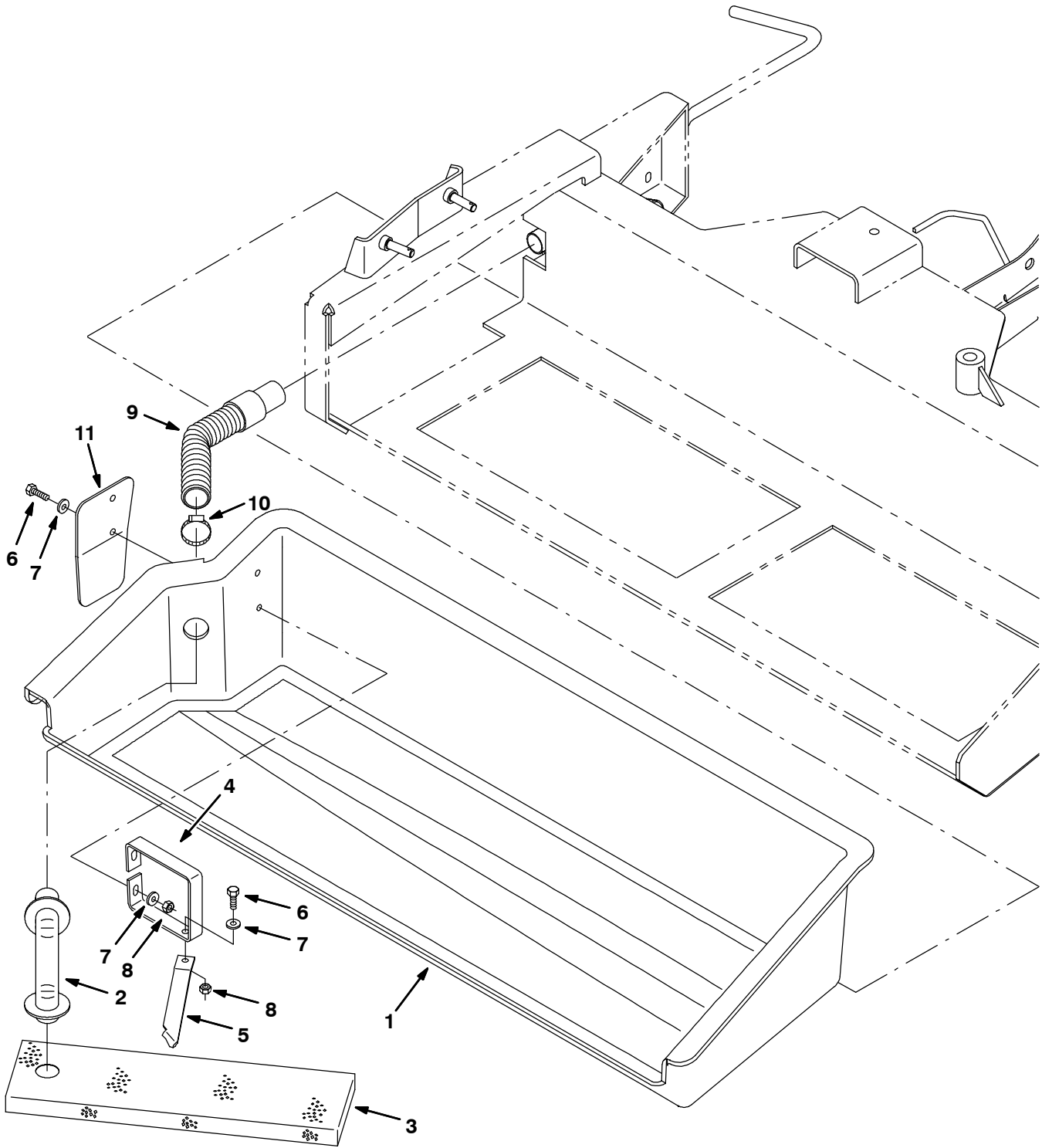


Fig. 51 - Debris Tray Trough Group

Ref.	Tennant Part No.	Machine Serial Number	Description	Qty.
1	71260	(000000-) Tray, Debris	1
2	71082	(000000-) Tube Wldt, Vacuum	1
3	71375	(000000-) Filter Wldt, Tray	1
4	71115	(000000-) Bracket, Filter	1
5	59393	(000000-) Spring, Trough Screen	1
6	08716	(000000-) Screw, Hex Ssm 6 X 1.0 20	3
7	01684	(000000-) Washer Flt .25 Ss	5
8	08712	(000000-) Nut Hxlocnyln M 6X1.0 Reg Ss	3
9	71102	(000000-) Hose, Vacuum, Tray	1
10	11399	(000000-) Clamp-Wormdrive, 0.81- 1.50D	2
11	20889	(000000-) Plate, Support	1

Fig. 52 - Rear Squeegee Lift Group

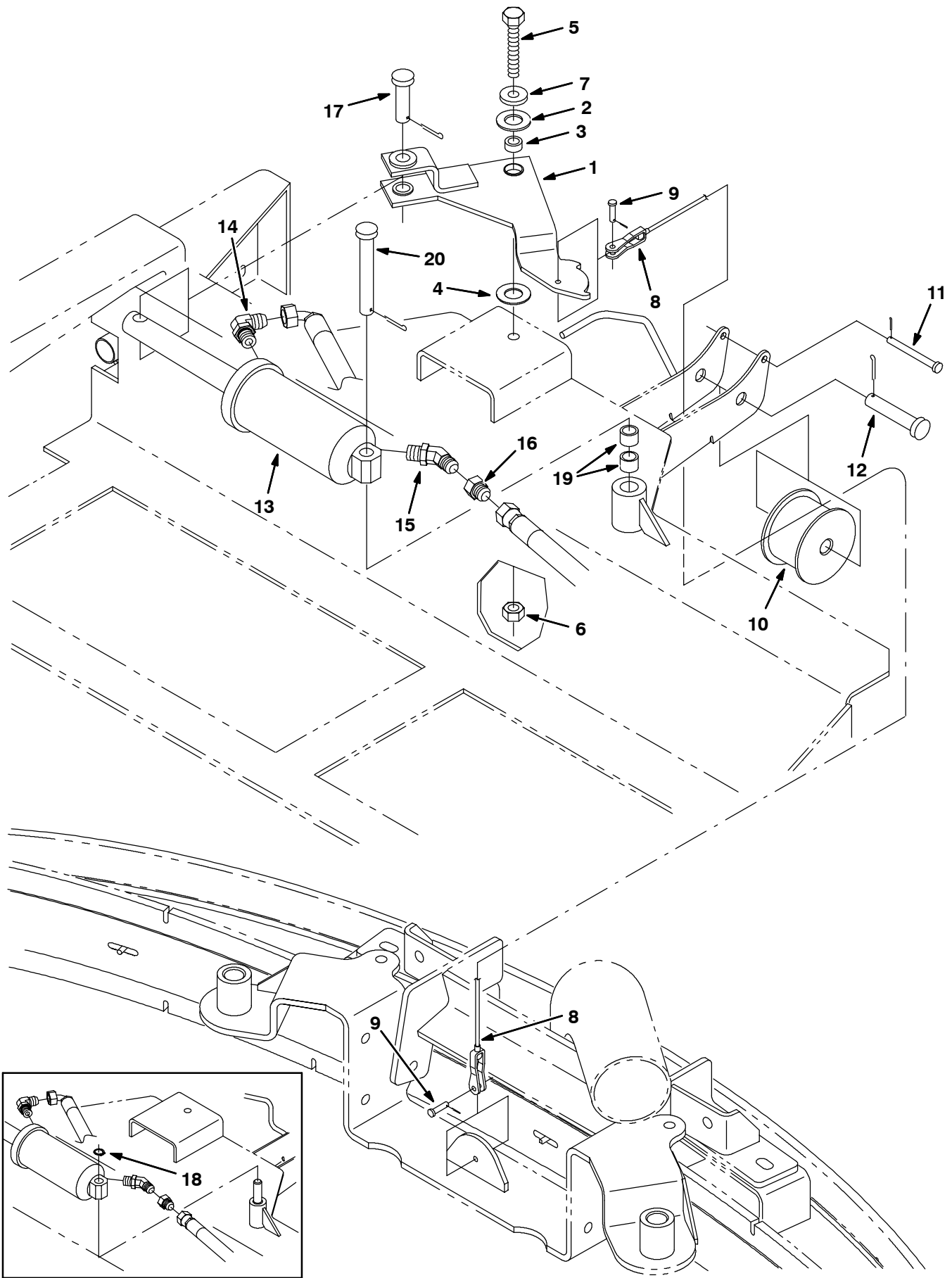


Fig. 52 - Rear Squeegee Lift Group

Ref.	Tennant Part No.	Machine Serial Number	Description	Qty.
1	71104	(000000-) Bellcrank Wldt	1
2	64425	(000000-) Washer, .656B 1.25D .06	1
3	71658	(000000-) Sleeve, Bearing .62Od	1
4	07450	(000000-) Bearing, Thrust	1
5	04417	(000000-) Screw Hex Ssm 10X1.5	1
6	08714	(000000-) Nut-Hxlocnyln M10X1.5 Reg Ss	1
7	33948	(000000-) Washer, Flat .38	1
8	71101	(000000-) Cable, Sq Lift, Metric	1
9	77488	(000000-) Pin,Clevis,0.19 Dia.X 0.62 Lg	2
10	223054	(000000-) Drum, Lift Cable	1
11	04733-10	(000000-) Pin, Clevis,0.25 Dia X 2.44 Lg	1
12	06279	(000000-) Pin,Clevis,0.50 Dia.X 2.50 Lg	1
13	54096	(000000-) Cylinder-Hyd2.0X4.0Da2500Psi	1
14	77097	(000000-) Ftg-Hyd E90 Jm04/Om04	1
15	34359	(000000-) Ftg-Hyd E45 Jm04/Om04	1
16	16456	(000000-) Ftg-Hyd Rst Jm04/.063	1
17	51534	(000000-) Pin,Clevis,0.50 Dia.X 2.00 Lg	1
18	20868	(000000-003597) Cylinder Pin Kit, Sqge	1
19	63233	(003598-) Bearing-Sleeve 0.50B 0.59D 0.50L	2
20	06474A	(003598-) Pin, Clevis, 0.50Dia. X3.50Lg	1

Fig. 53 - Rear Squeegee Linkage Group

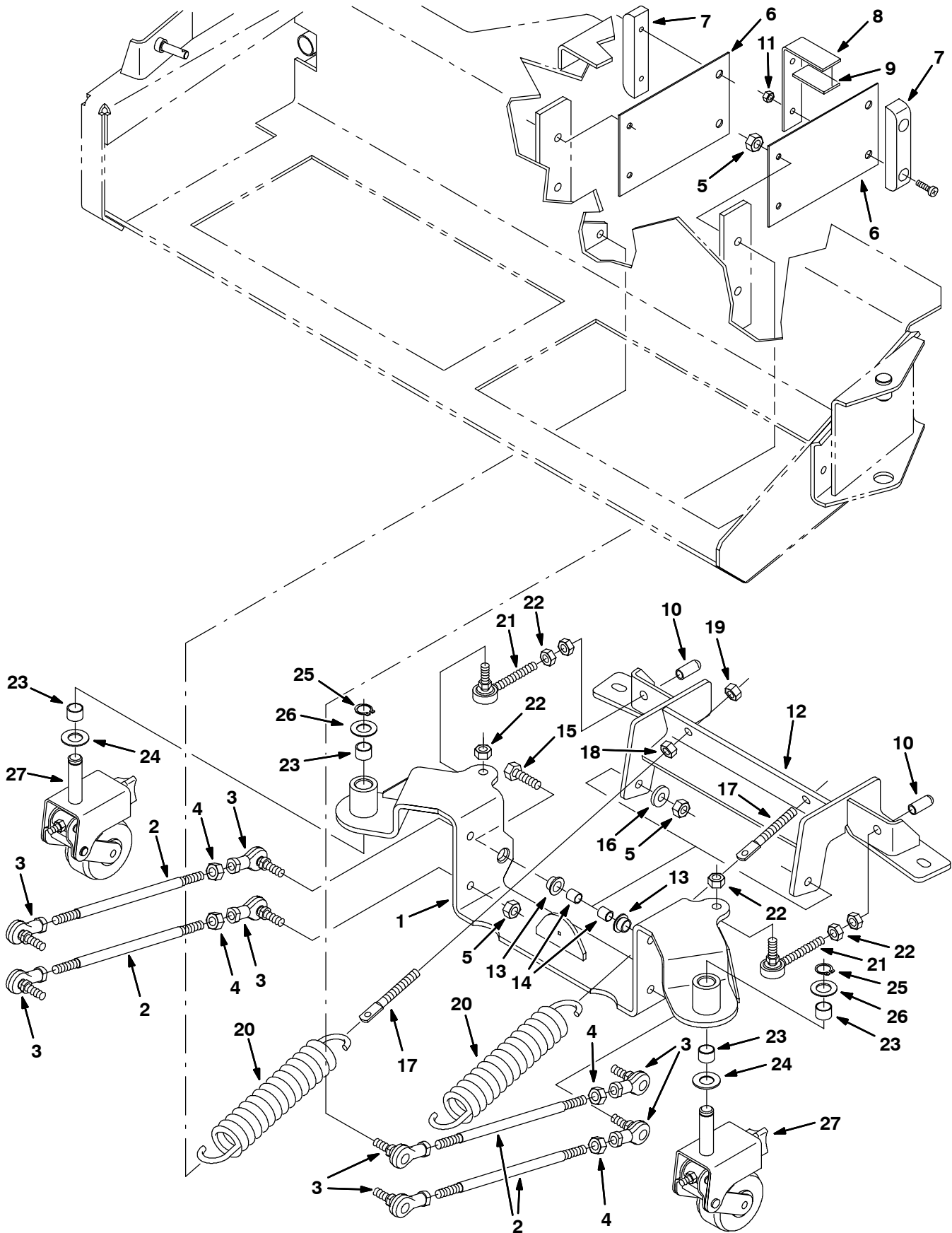


Fig. 53 - Rear Squeegee Linkage Group

Ref.	Tennant Part No.	Machine Serial Number	Description	Qty.
▽	369897	(000000-) Kit, Repair, Linkage, Squeegee	1
▲	1 71242	(000000-) Bracket Wldt, Sq Main	1
▲	2 71113	(000000-) Rod, Threaded	4
▲	3 05686	(000000-) Rod End M10 X1.5 W/Stud	8
▲	4 32716	(000000-) Nut Hx, Jam M10X 1.5Ss	4
▲	5 08714	(000000-) Nut-Hxlocnyln M10X1.5 Reg 18-8	10
▲	6 71204	(000000-) Spring, Centering	2
▲	7 71211	(000000-) Block, Centering	2
▲	8 25804	(000000-) Bracket, Stop	1
▲	9 25819	(000000-) Pad, Neoprene	1
▲	10 20806	(000000-) Cap, Neoprene, Black	2
▲	11 08712	(000000-) Nut Hxlocnyln M 6X1.0 Reg Ss	4
▲	12 71248	(000000-) Bracket Wldt, Sq Secondary	1
▲	13 25735	(000000-) Bearing, Flange .625Bx .38	2
▲	14 71257	(000000-) Sleeve, Pivot	2
▲	15 77347	(000000-) Screw Hexssm10X1.5 35	2
▲	16 01686	(000000-) Washer Flt .38 Ss	2
▲	17 11843	(000000-) Bolt-Eye, .38-16Th .28B 3.22L	2
▲	18 01692	(000000-) Nut Hx Std Ss .38-16	2
▲	19 59156	(000000-) Nut-Hxlocnyln .38-16 Regss18-8	2
▲	20 71100	(000000-) Spring, Tension	2
▲	21 71210	(000000-) Baljoint, 3/8-24	2
▲	22 71244	(000000-) Nut-Hx Flexloc .38-24 Reg	2
▲	23 07449	(000000-) Bearing, Fiberglide	4
▲	24 64425	(000000-) Washer, .656B 1.25D .06	2
▲	25 33373	(000000-) Ring, Retain,Ex,0.62Od,Heavydt	2
▲	26 63468	(000000-) Washer, .687B 1.19D .06Cr. Cad	2
▲	27 71245	(000000-) Caster, Squeegee	2

Fig. 54 - Rear Squeegee Assembly

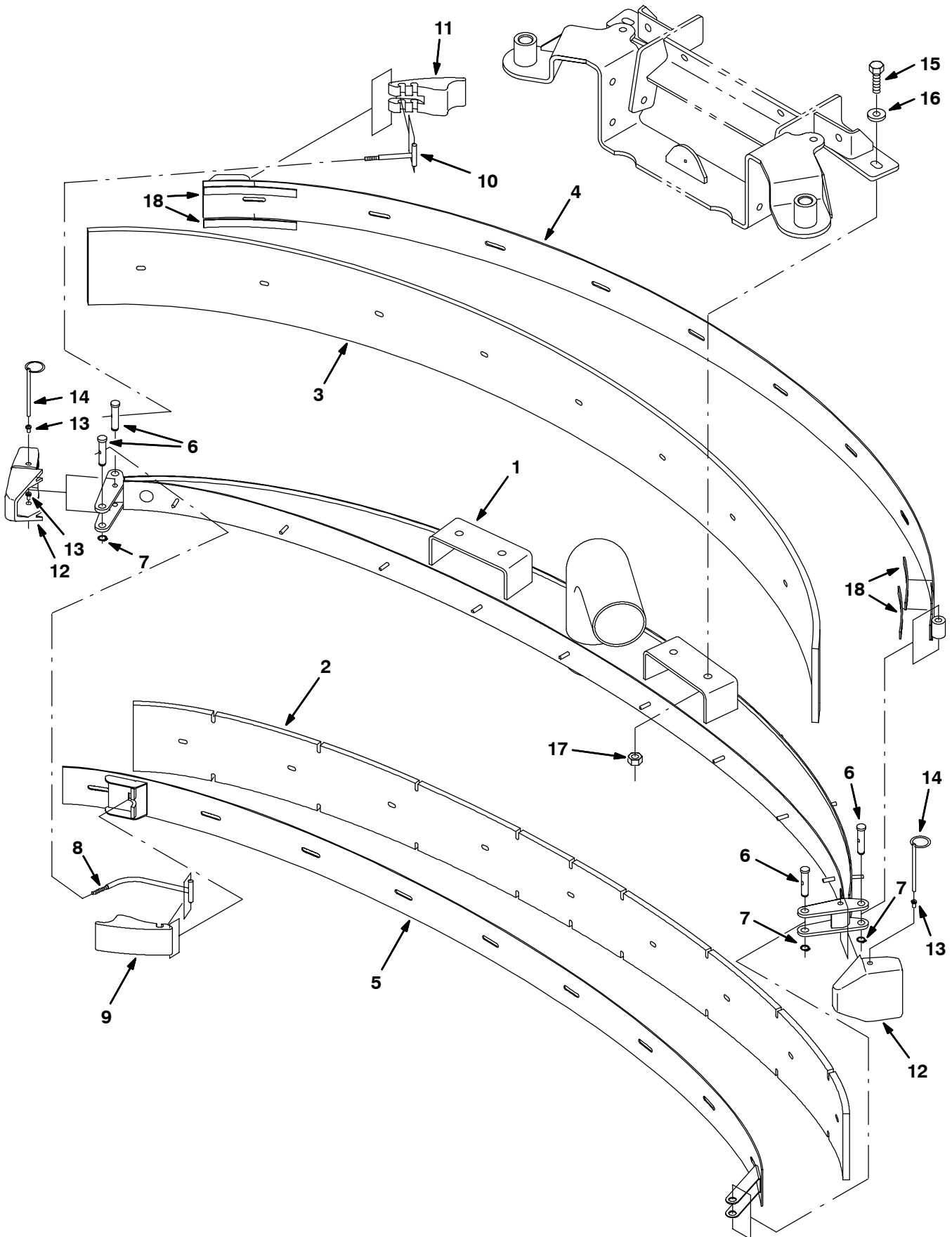


Fig. 54 - Rear Squeegee Assembly

	Ref.	Tennant Part No.	Machine Serial Number	Description	Qty.
▽		25791	(000000-) Squeegee Assy, Rear	1
▲	1	71254	(000000-) Squeegee Wldt	1
▲	2	71255	(000000-) Blade, Squeegee, Front	1
▲	3	71256	(000000-) Blade, Squeegee, Rear	1
▲	4	21597	(000000-) Strip Wldt, Rear Retainer	1
▲	5	21600	(000000-) Strip Wldt, Front Retainer	1
▲	6	21603	(000000-) Pin	4
▲	7	24555	(000000-) E-Ring, External .375 Dia	4
▲	8	21608	(000000-) Pin Wldt, Front	1
▲	9	21601	(000000-) Cam, Front	1
▲	10	21606	(000000-) Pin Wldt, Rear	1
▲	11	21602	(000000-) Cam, Rear	1
▲▽		21614	(000000-) Bumper Kit, Squeegee	2
▲▲	12	21586	(000000-) Bumper, Squeegee	2
▲▲	13	79219	(000000-) Retainer	4
▲▲	14	71199	(000000-) Pin, Hitch, .19Dia X 3.44 L	2
▲	15	09028	(000000-) Scr Hexssm 10X1.5 25	4
▲	16	01686	(000000-) Washer Flt .38 Ss	4
▲	17	08714	(000000-) Nut-Hxlocnyln M10X1.5 Reg 18-8	4
▲	18	03495	(000000-) Strip, Non Slip	4

Fig. 55 - Rear Squeegee Caster Assembly

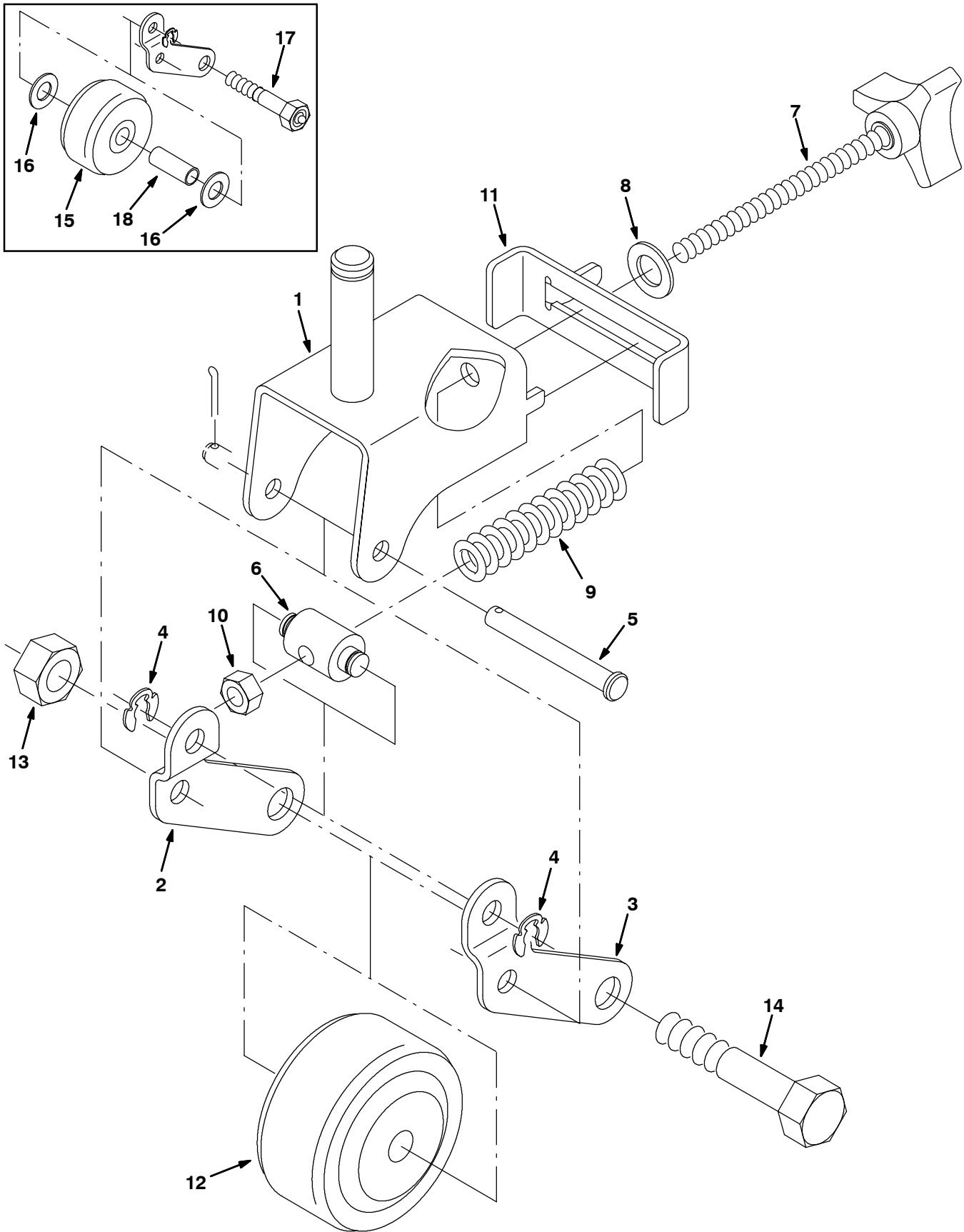
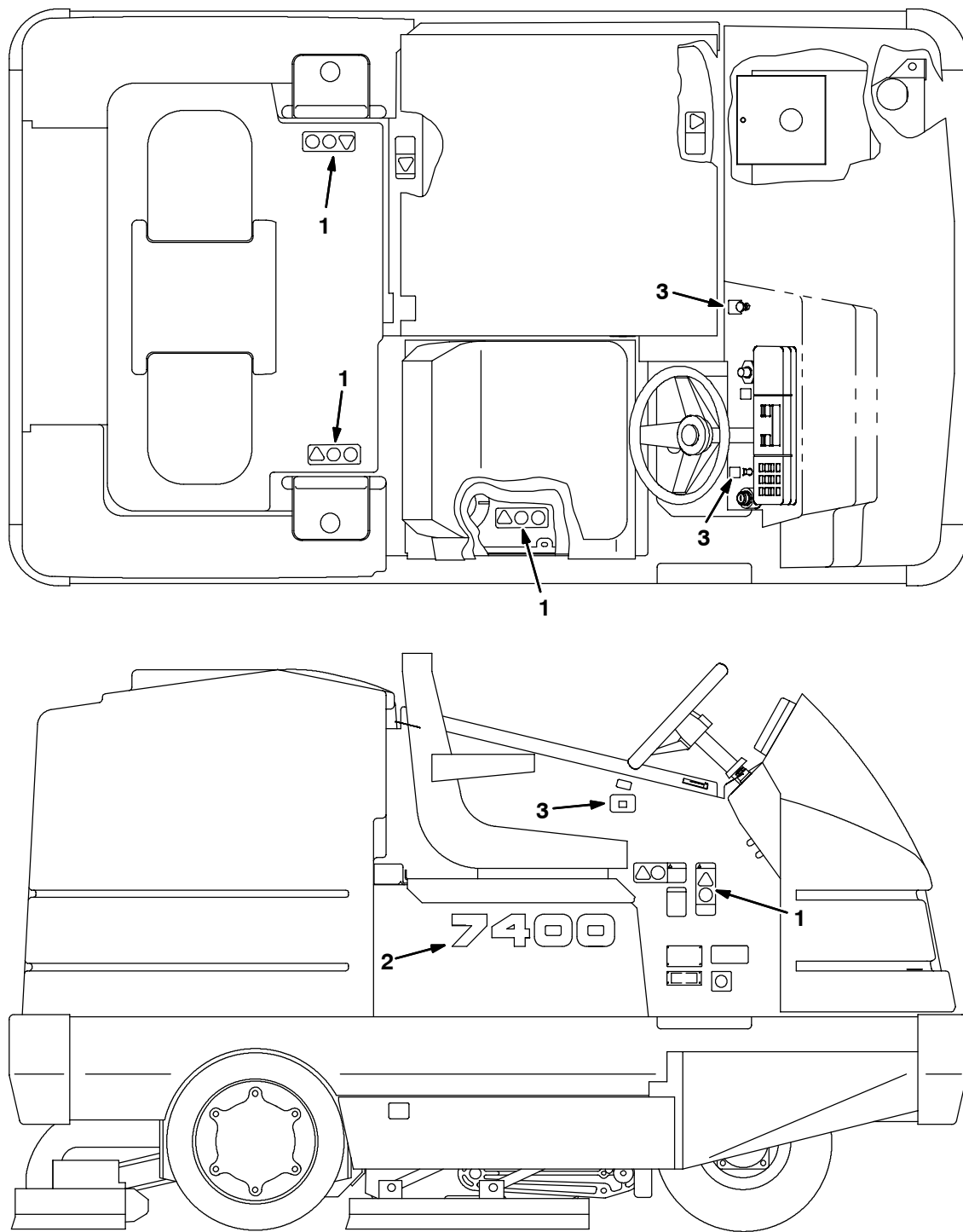


Fig. 55 - Rear Squeegee Caster Assembly

Ref.	Tennant Part No.	Machine Serial Number	Description	Qty.
▽	71245	(000000-) Caster Assy, Squeegee, Rear	1
▲ 1	71117	(000000-) Bracket Wldt, Caster, Adj.	1
▲ 2	71123	(000000-) Arm, Linkage, R.H.	1
▲ 3	71124	(000000-) Arm, Linkage, L.H.	1
▲ 4	12364	(000000-) Ring,Retain,Ex,0.375D,Klipring	2
▲ 5	71274	(000000-) Pin, Clevis .31D X 2.5L	1
▲ 6	71126	(000000-) Block	1
▲ 7	71090	(000000-) Knob, Caster	1
▲ 8	32490	(000000-) Washer, Flat,II .25 Hard	1
▲ 9	71209	(000000-) Spring Comp 0.660Dx.09Wire3.5L	1
▲ 10	08713	(000000-) Nut-Hxlocnyln M 8X1.25 Reg Ss	1
▲ 11	71202	(000000-) Bracket, Caster Lock	1
▲ 12	20833	(003661-) Wheel, 3 Inch Dia.	1
▲ 13	02931	(000000-) Nut-Hxlocnyln .50-13 Regss18-8	1
▲ 14	81952	(000000-) Scr-Hex .50 13 X 3.00 Ss	1
15	10165	(000000-003660) Wheel, 3 Inch Dia.	1
16	64425	(000000-003660) Washer, .656B 1.25D .06	2
17	76943	(000000-003660) Bolt, Axle W/Zerk	1
18	75050	(000000-003660) Bushing, Spanner - Special 550	1

Fig. 56 - Label Group



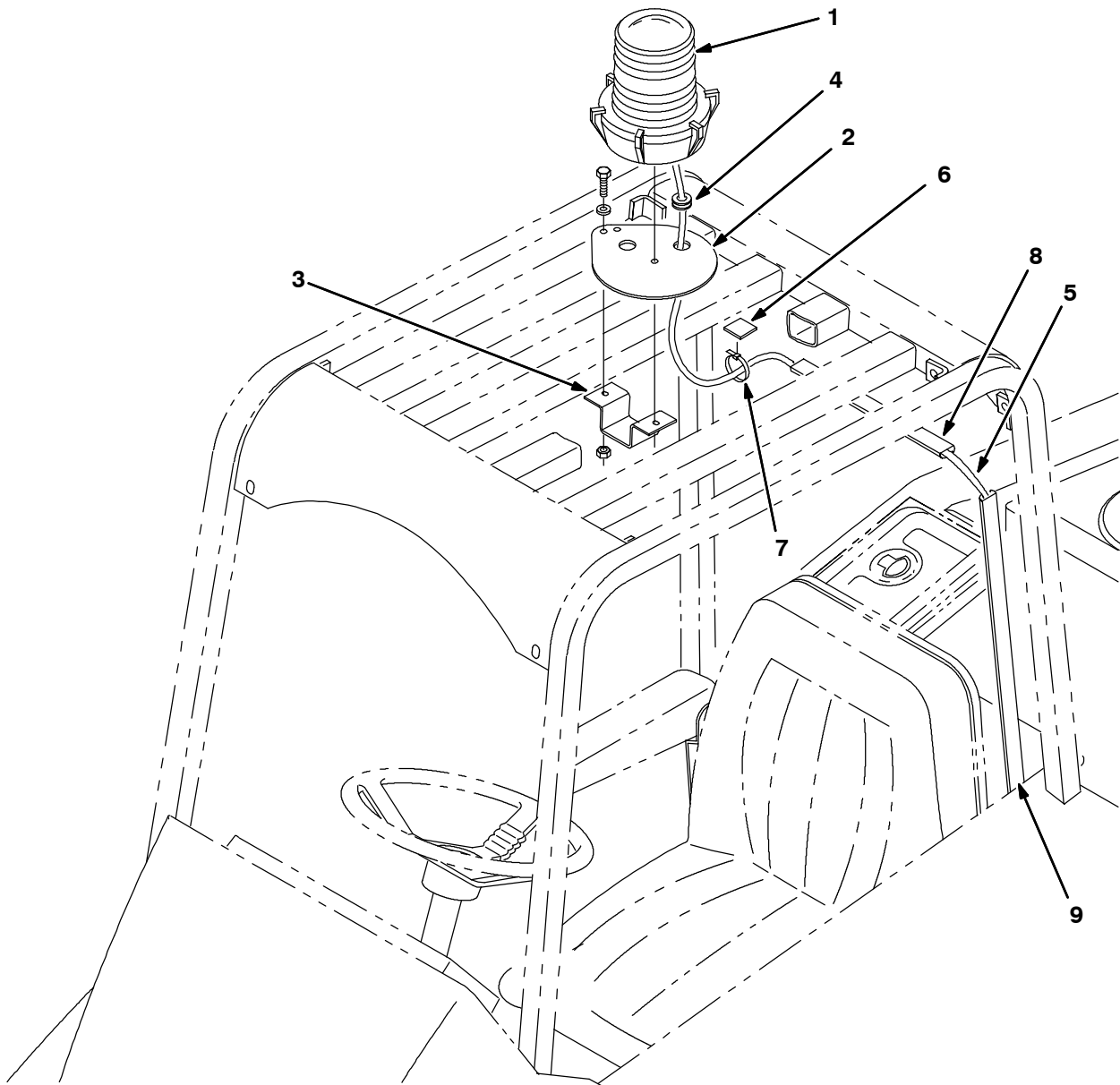
10799 - NA

Ref.	Tennant Part No.	Machine Serial Number	Description	Qty.
1	25817	(000000-)	Label Set, Info & Hzd 7400	1
2	71499	(000000-)	Label, Numerals 7400	2
3	71491	(000000-)	Label Set, Operational	1

SECTION 3

Contents	Page
Fig. 1 - Flashing Light Kit, Overhead Guard	3-2
Fig. 2 - Revolving Light Kit, Overhead Guard	3-3
Fig. 3 - Flashing Light Kit, LRC	3-4
Fig. 4 - Revolving Light Kit, LRC	3-5
Fig. 5 - ES™ and Auto Fill Group	3-6
Fig. 6 - ES™ Pump Column Group (Serial Number 000000-004203)	3-8
Fig. 7 - ES™ Pump Column Group (Serial Number 004204-)	3-10
Fig. 8 - ES™ Detergent Tank Group	3-12
Fig. 9 - Backup Alarm Group	3-14
Fig. 10 - Side Brush Mount Group	3-16
Fig. 11 - Side Brush Motor Group	3-18
Fig. 12 - Side Brush Hydraulic Group (000000-005613)	3-20
Fig. 13 - Side Brush Hydraulic Group (005614-)	3-22
Fig. 14 - Side Brush Hydraulic Hose Group (000000-005613)	3-24
Fig. 15 - Side Brush Hydraulic Hose Group (005614-)	3-26
Fig. 16 - Urethane Side Brush Squeegee Assembly	3-28
Fig. 17 - Overhead Guard Kit	3-29
Fig. 18 - Fire Extinguisher Kit	3-30
Fig. 19 - Protectoseal Fuel Tank Cap Group	3-31
Fig. 20 - Seat Belt Kit	3-32
Fig. 21 - Grammer Seat Kit	3-33
Fig. 22 - Solid High Traction Tire Group	3-34
Fig. 23 - Solid Turf Tire and Wheel Assembly	3-35
Fig. 24 - Solid Non Marking Tire and Wheel Assembly	3-36
Fig. 25 - Solid Non Marking Turf Tire and Wheel Assembly	3-37
Fig. 26 - Urethane Squeegee Blade Kit	3-38
Fig. 27 - Positive Solution Control Drain Kit, Std	3-39
Fig. 28 - Positive Solution Control Drain Kit, ES™	3-40
Fig. 29 - Squeegee Wand Kit	3-41
Fig. 30 - Transport Group	3-42
Fig. 31 - Heavy Duty Engine Air Filter Kit	3-43
Fig. 32 - Documentation Group	3-44

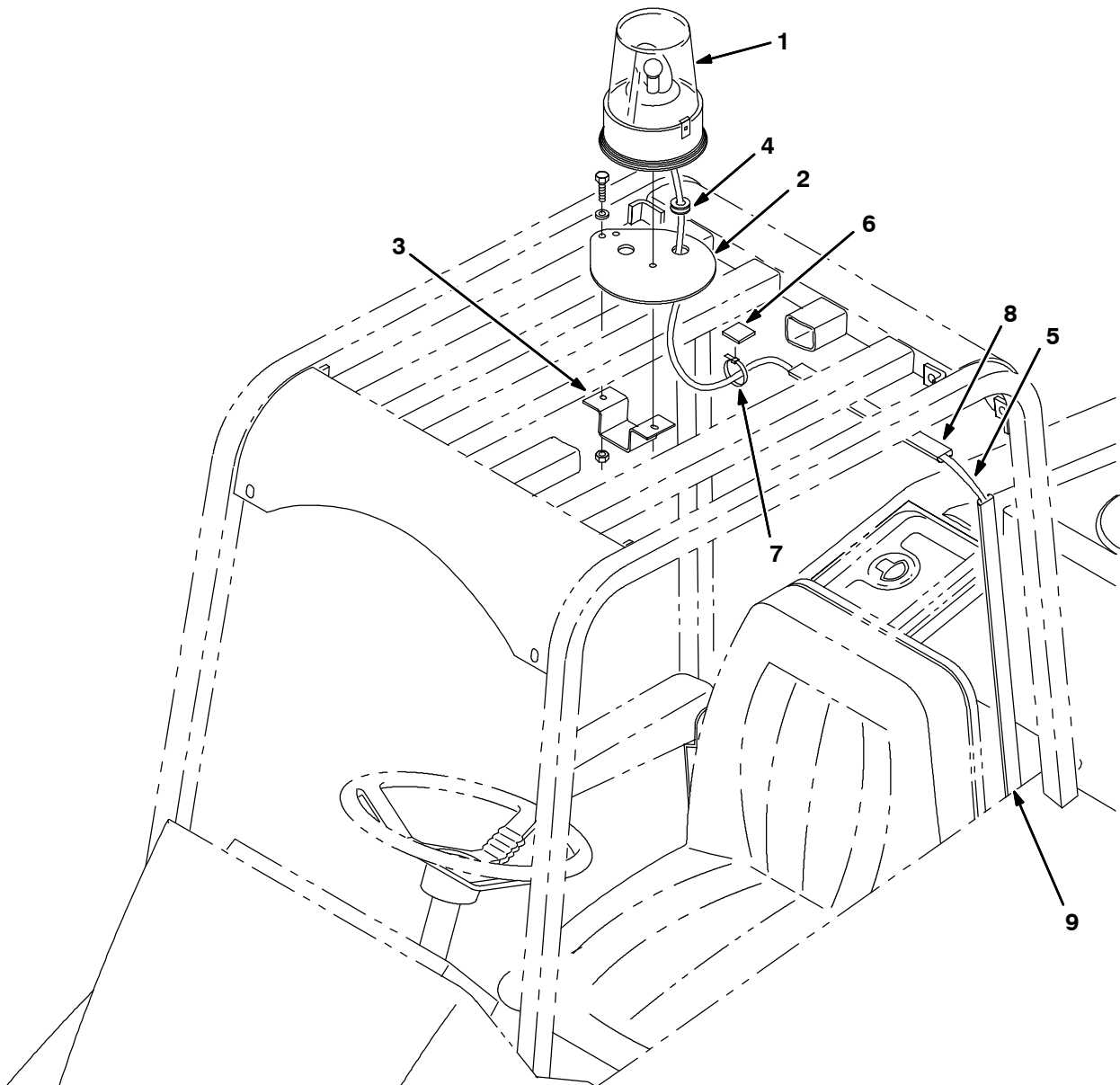
Fig. 1 - Flashing Light Kit, Overhead Guard



10795 - NA, JP

Ref.	Tennant Part No.	Machine Serial Number	Description	Qty.
▽	25761	(000000-) Light Kit Flsh Ohg	1
▲▽	1 82063	(000000-) Light, Flashing, Amber, 12V-Re	1
▲▲	58520	(000000-) Lens,Flashing Lite Fr207 Amber	1
▲▲	45779	(000000-) Bulb, 12V .2A 32Cp #1156	1
▲	2 57220	(000000-) Plate, Light Mtg.	1
▲	3 59447	(000000-) Bracket, Mounting, Light, Ohg	1
▲	4 10632-9	(000000-) Grommet,Rbr,0.56ld,For .13Matl	1
▲	5 60288	(000000-) Harness, Revolv Light, Cab,Ohg	1
▲	6 55248	(000000-) Cabletie Mount, Adhesive	1
▲	7 49266	(000000-) Tie, Cable 1.75D Max 7.50Lg	8
▲	8 86330	(000000-) Duct, Vinyl .40X.75X10.0 .25D	2
▲	9 86332	(000000-) Duct, Vinyl .40X.75X26.0 .25D	1
	58518	(000000-) Lens,Flashing Lite Fr207 Red	1
	58519	(000000-) Lens,Flashing Lite Fr207 Blue	1

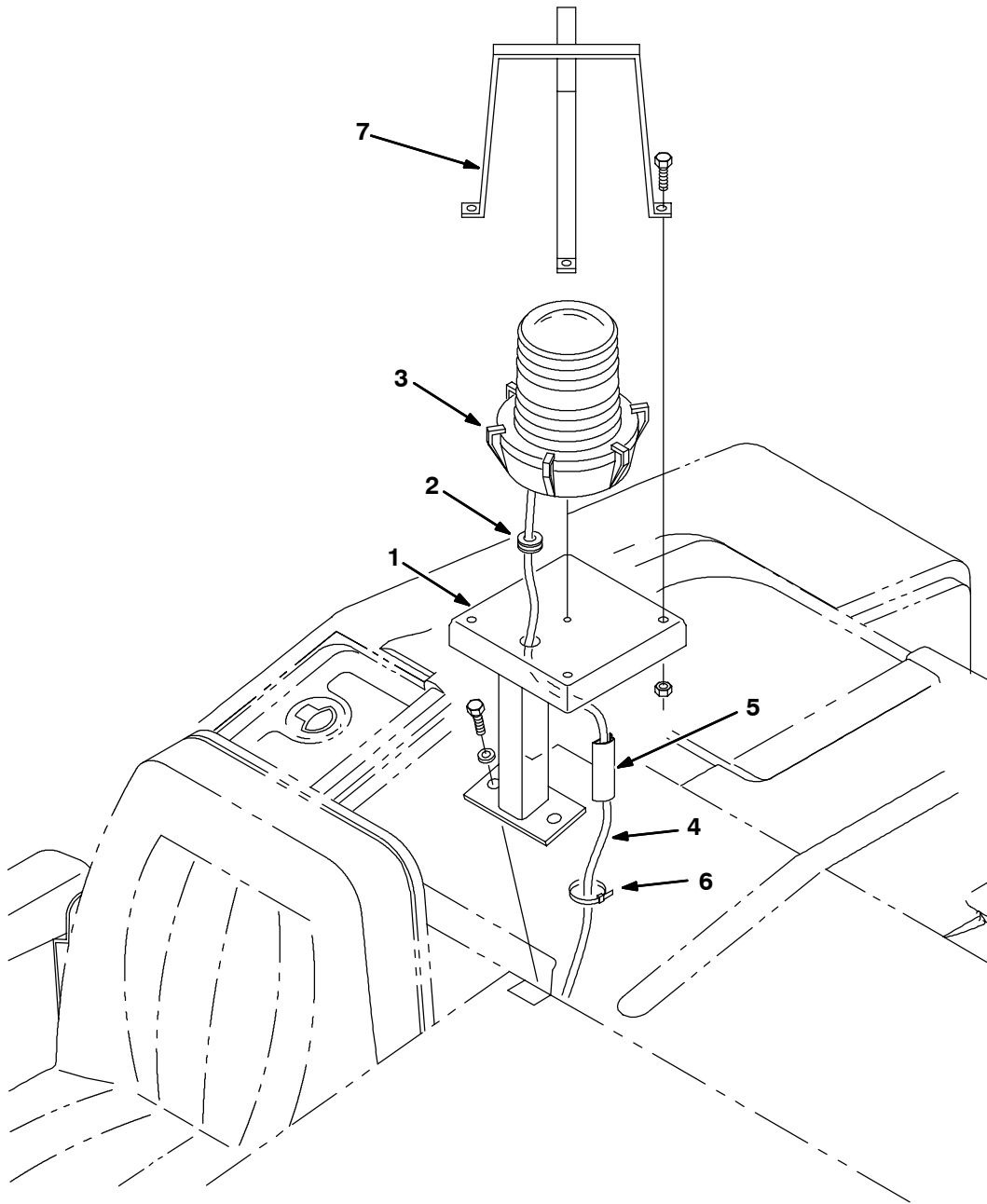
Fig. 2 - Revolving Light Kit, Overhead Guard



10797 - NA, JP

Ref.	Tennant Part No.	Machine Serial Number	Description	Qty.
▽	25763	(000000-) Light Kit Revl Ohg	1
▲▽	1 82200	(000000-) Light,Rev.Amber 12V	1
▲▲	44681-1	(000000-) Lens,Rev.Light,Amber	1
▲▲	45779	(000000-) Bulb, 12V .2A 32Cp #1156	1
▲	2 57220	(000000-) Plate, Light Mtg.	1
▲	3 59447	(000000-) Bracket, Mounting, Light, Ohg	1
▲	4 10632-9	(000000-) Grommet,Rbr,0.56ld,For .13Matl	1
▲	5 60288	(000000-) Harness, Revolv Light, Cab,Ohg	1
▲	6 55248	(000000-) Cabletie Mount, Adhesive	1
▲	7 49266	(000000-) Tie, Cable 1.75D Max 7.50Lg	8
▲	8 86330	(000000-) Duct, Vinyl .40X.75X10.0 .25D	2
▲	9 86332	(000000-) Duct, Vinyl .40X.75X26.0 .25D	1
	44681	(000000-) Lens,Rev.Light,Red	1
	44681-2	(000000-) Lens,Rev.Light,Blue	1

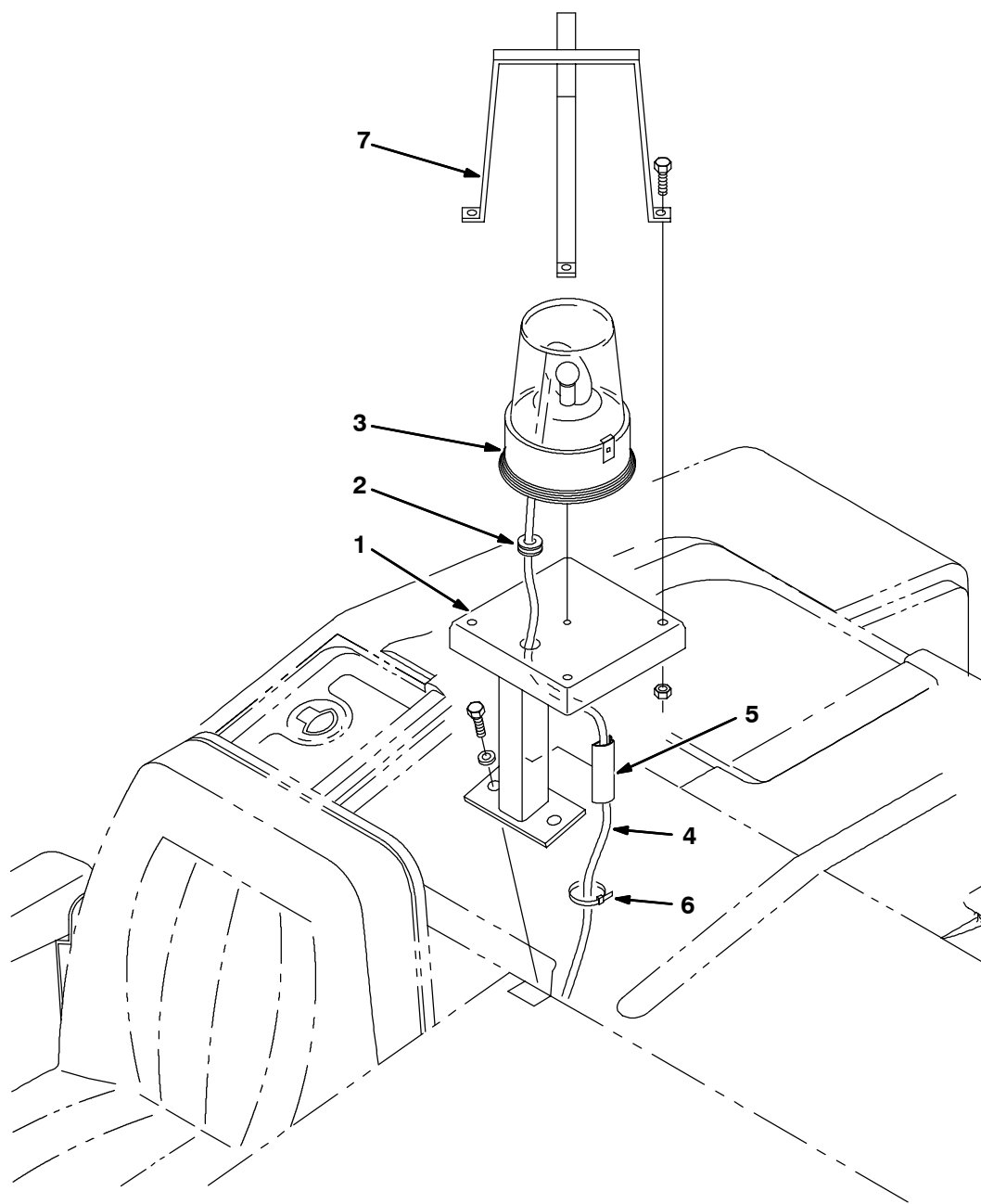
Fig. 3 - Flashing Light Kit, LRC



10801 - NA, JP

Ref.	Tennant Part No.	Machine Serial Number	Description	Qty.
▽	25765	(000000-)	Light Kit Flsh Lrc	1
▲	1 71645	(000000-)	Bracket Wldt, Rot Light	1
▲	2 10632-9	(000000-)	Grommet,Rbr,0.56ld,For .13Matl	1
▲▽	3 82063	(000000-)	Light, Flashing, Amber, 12V-Re	1
▲▲	58520	(000000-)	Lens,Flashing Lite Fr207 Amber	1
▲▲	45779	(000000-)	Bulb, 12V .2A 32Cp #1156	1
▲	4 71543	(000000-)	Harness, Revol Light	1
▲	5 86333	(000000-)	Duct, Vinyl .40X.75X3.5 .25D	1
▲	6 49266	(000000-)	Tie, Cable 1.75D Max 7.50Lg	8
▲	7 45272	(000000-)	Guard Wldt, Lights, Revl&Flsh	1
	58518	(000000-)	Lens,Flashing Lite Fr207 Red	1
	58519	(000000-)	Lens,Flashing Lite Fr207 Blue	1

Fig. 4 - Revolving Light Kit, LRC



10803 - NA, JP

Ref.	Tennant Part No.	Machine Serial Number	Description	Qty.
▽	25767	(000000-)	Light Kit Revl Lrc	1
▲	1 71645	(000000-)	Bracket Wldt, Rot Light	1
▲	2 10632-9	(000000-)	Grommet,Rbr,0.56ld,For .13Matl	1
▲▽	3 82200	(000000-)	Light,Rev.Amber 12V	1
▲▲	44681-1	(000000-)	Lens,Rev.Light,Amber	1
▲▲	45779	(000000-)	Bulb, 12V .2A 32Cp #1156	1
▲	4 71543	(000000-)	Harness, Revol Light	1
▲	5 86333	(000000-)	Duct, Vinyl .40X.75X3.5 .25D	1
▲	6 49266	(000000-)	Tie, Cable 1.75D Max 7.50Lg	8
▲	7 45272	(000000-)	Guard Wldt, Lights, Revl&Fish	1
	44681	(000000-)	Lens,Rev.Light,Red	1
	44681-2	(000000-)	Lens,Rev.Light,Blue	1

Fig. 5 - ES™ and Auto Fill Group

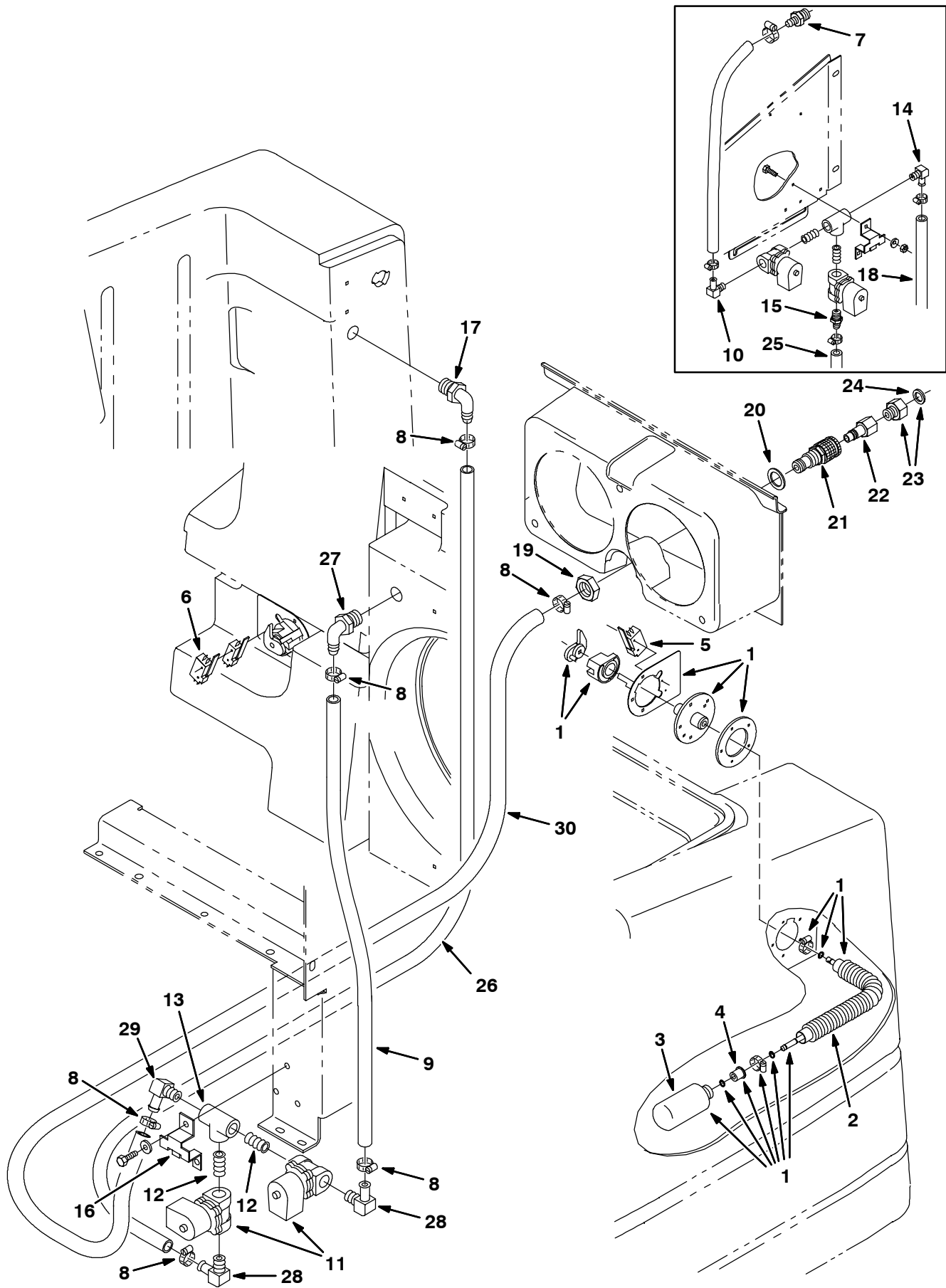


Fig. 5 - ES™ and Auto Fill Group

	Ref.	Tenant Part No.	Machine Serial Number	Description	Qty.
▽	1	20956	(000000-) Level Sensing Assy, Es	1
▲	2	73145	(000000-) Bellows, .75 Id 10.3L	1
▲	3	50238	(000000-) Float Bottle	1
▲	4	50256	(000000-) Plug, Float	1
▲	5	398527	(000000-) Switch, Micro, 15 Amp, Dpdt	1
	6	398527	(000000-) Switch, Micro, 15 Amp, Dpdt	1
	7	71628	(000000-003086) Fitting, Plastic, Str	1
	8	86824	(000000-) Clamp-Wormdrive 0.50-1.06D	6
	9	73472	(000000-) Hose, Vinyl Clr, .62ldx 18.0Lg	1
	10	30268	(000000-003086) Ftg Brs E90	1
	11	73433	(000000-) Valve, Solenoid, 12V Dc	2
	12	11442-3	(000000-) Ftg,Pipe,Nip.Close 0.50Pt.Blk	2
	13	24450	(000000-) Ftg,Brs Tee Pf08 Pf Pf	1
	14	48697	(000000-003086) Fitting-Brs	1
	15	59901	(000000-003086) Fitting-Brs Str	1
	16	15965	(000000-) Plate Bent	1
	17	73468	(000000-) Fitting-Pls E90	1
	18	73478	(000000-003086) Hose, Vinyl Clr, .75ld x 65.0Lg	1
	19	48988	(000000-) Nut-Hx Jam 1.00-14 Pltd	1
	20	20955	(000000-) Washer, 1.03Lb 1.50D .036 Crs	1
	21	10678	(000000-) Fitting, Bulkhead Fem,	1
	22	33295	(000000-) Ftg Qkdisc, Male	1
▽	23	375322	(000000-) Kit, Ftg, Garden Hose	1
▲	24	01316	(000000-) Washer, .660B 1.00D .12Rbr	1
	25	59900	(000000-003086) Hose, Vinyl Clear .62ld x 88	1
	26	71888	(003087-) Hose, Vinyl Clr, .62ldx 63.0Lg	1
	27	73468	(003087-) Fitting-Pls E90	1
	28	30268	(003087-) Ftg Brs E90	2
	29	48697	(003087-) Fitting-Brs	1
	30	71887	(003087-) Hose, Vinyl Clr, .75ld x 58.0Lg	1

Fig. 6 - ES™ Pump Column Group (Serial Number 000000-004203)

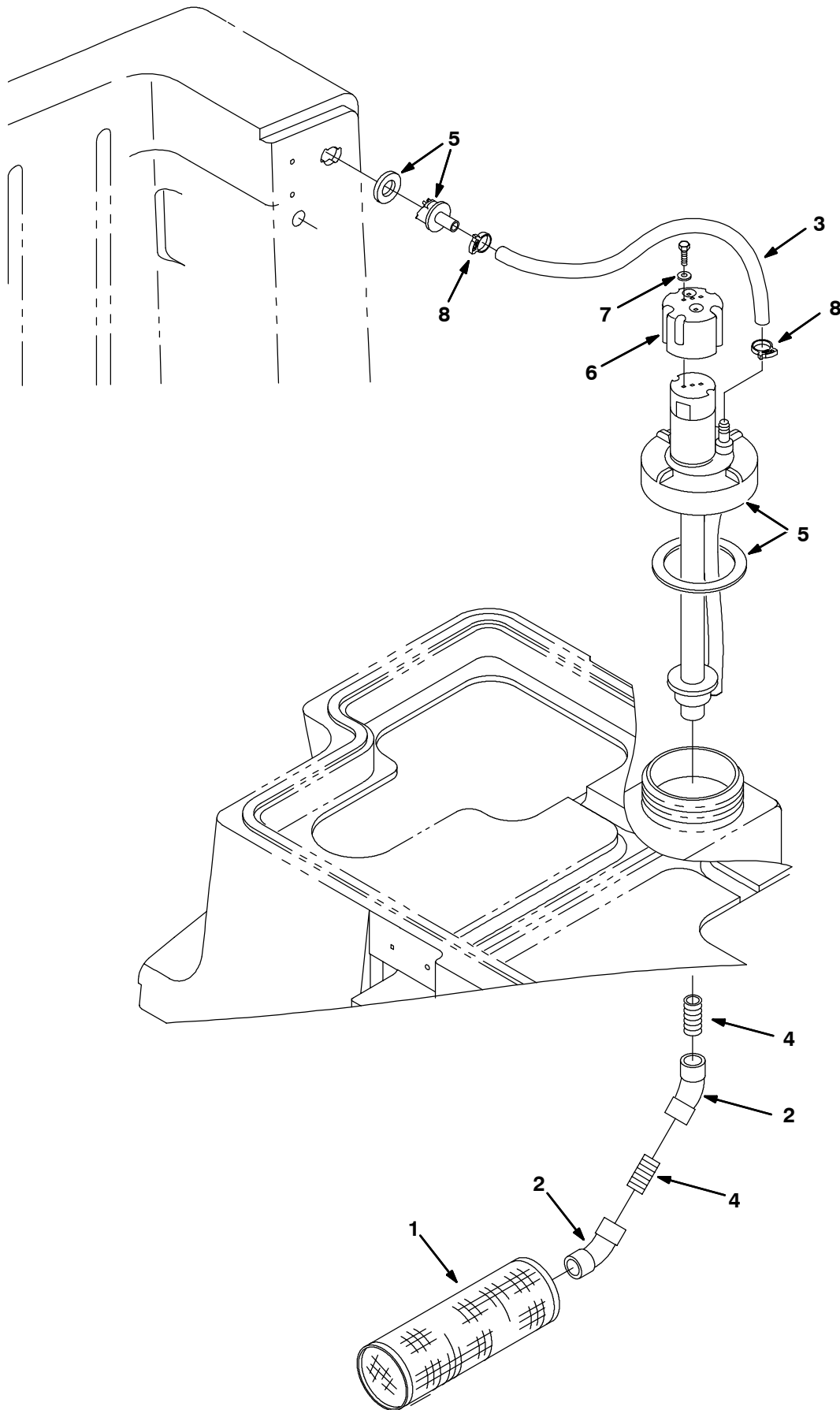


Fig. 6 - ES™ Pump Column Group (Serial Number 000000-004203)

Ref.	Tennant Part No.	Machine Serial Number	Description	Qty.
1	20947	(000000-004203)	Screen, Sol Dbl Cylindrical	1
2	10575	(000000-004203)	Fitting-Plastic E45 12Pf-12Pf	2
3	20957	(000000-004203)	Hose, Pump	1
4	69784	(000000-004203)	Ftg,Plstc,Nip. 0.75Ptx 1.68Lg	2
5	20914	(000000- xxxxxx)	Pump, Column, Es(See Breakdowns)(Replaced by 379005)	1
5	379005	(xxxxxx-004203)	Pump, Column, Es(See Breakdowns)(Replaced by 81954)	1
6	77237	(000000-004203)	Cover, Motor	1
7	01684	(000000-004203)	Washer Flt .25 Ss	2
8	71168	(000000-004203)	Clamp, Hose, Plastic	2

Fig. 7 - ES™ Pump Column Group (Serial Number 004204-)

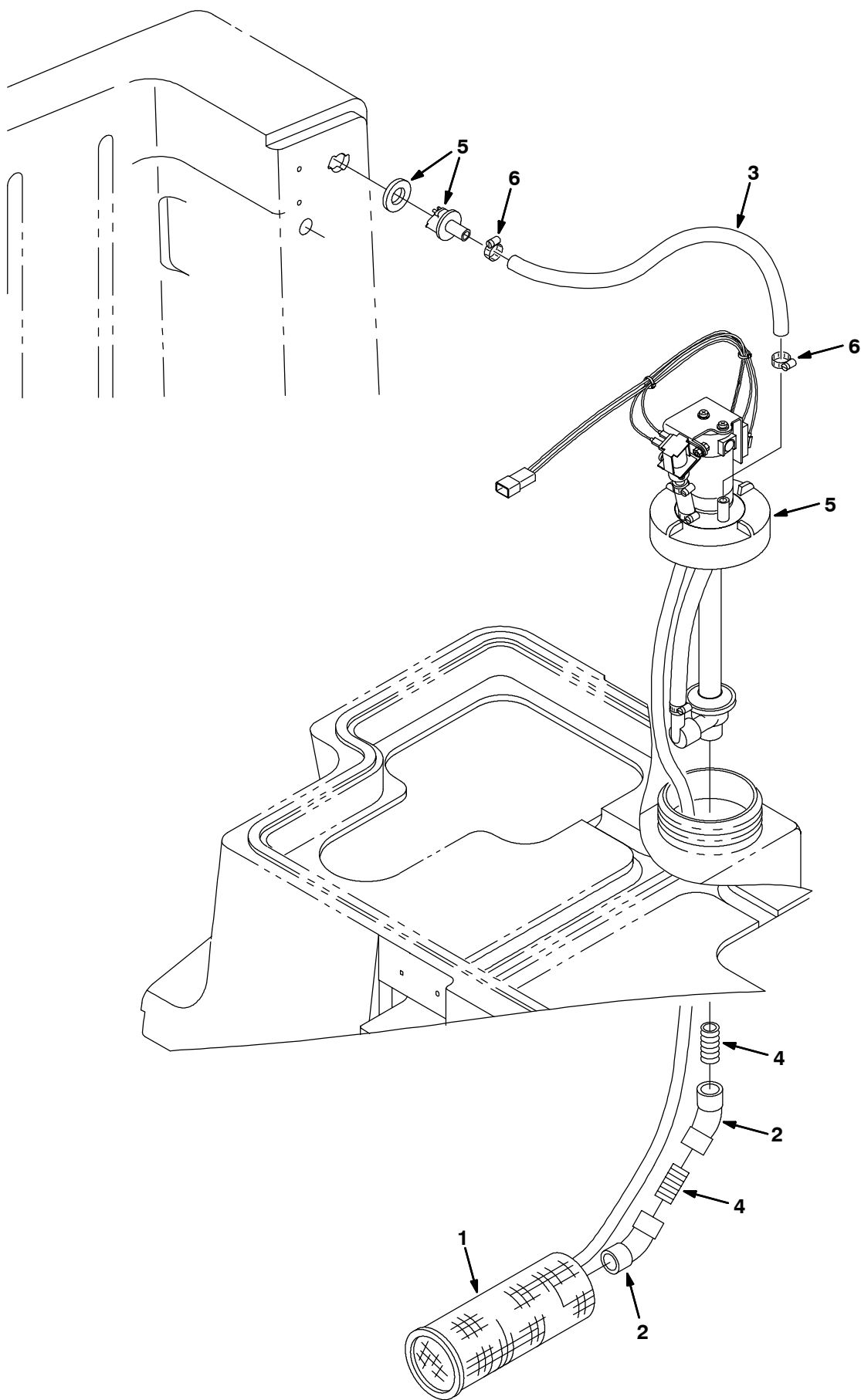


Fig. 7 - ES™ Pump Column Group (Serial Number 004204-)

Ref.	Tennant Part No.	Machine Serial Number	Description	Qty.
1	20895	(004204-) Filter, Solution	1
2	10575	(004204-) Fitting-Plastic E45 12Pf-12Pf	2
3	369811	(004204-) Hose, Pump	1
4	69784	(004204-) Ftg,Plstc,Nip. 0.75Ptx 1.68Lg	2
5	20891	(004204-) Pump, Column, Es (See Breakdowns)	1
6	86824	(004204-) Clamp, Wormdrive	2

Fig. 8 - ES™ Detergent Tank Group

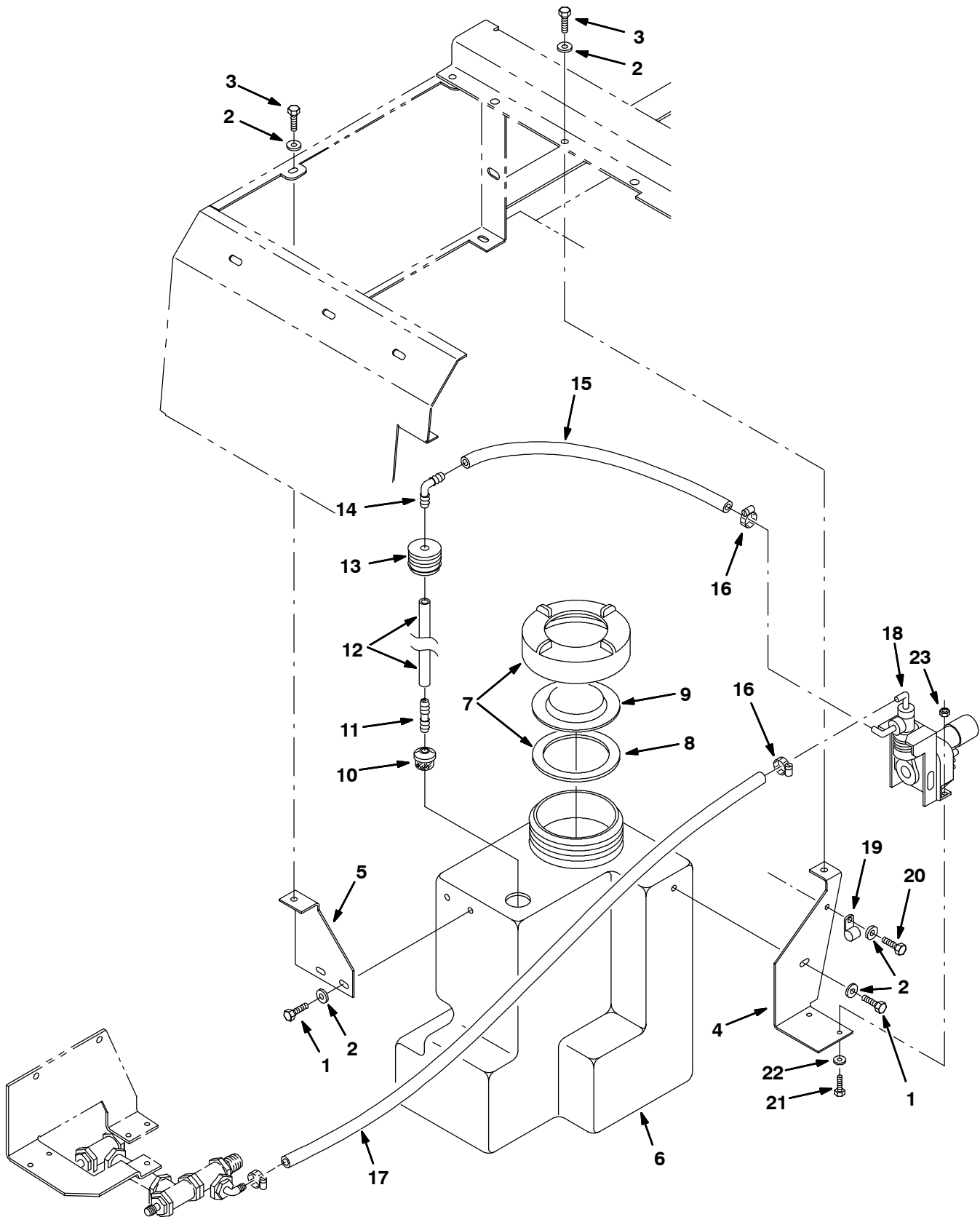


Fig. 8 - ES™ Detergent Tank Group

Ref.	Tennant Part No.	Machine Serial Number	Description	Qty.	
1	12273	(000000-) Scr-Hexssm 8X1.25 20 Nylnloc	3	
2	01685	(000000-) Washer Flt .31 Ss	6	
3	09740	(000000-) Scr Hexssm 8X1.25	2	
4	20942	(000000-) Bracket, Mtg, Tank	1	
5	20941	(000000-) Bracket, Mounting, Tank	1	
6	25822	(000000-) Detergent Tank W/Label	1	
▽	7	24358	(000000-) Cap Tank	1
▲	8	375200	(000000-) Gasket, Lid	1
9	86636	(000000-) Cover Lid	1	
10	20952	(000000-) Screen, Pump, Detergent	1	
11	20950	(000000-) Fitting-Barb, Strt 3/8 Id Hose	1	
12	22786	(000000-) Hose, Vinyl, Cl Nyre .38Idx21L	1	
13	20944	(000000-) Grommet, Detergent Tank	1	
14	20951	(000000-) Fitting-Barb,90Deg,3/8 Id Hose	1	
15	20999	(000000-) Hose, Vinyl, Clear Nylon Reinf	1	
16	54333	(000000-) Clamp-Wormdrive, 0.31- 0.88D	2	
17	63182-5	(000000-) Hose Vinyl Cl.,0.38 Idx31.00Lg	1	
18	73260	(000000-) Pump, Detergent Metering (See Breakdowns)	1	
19	67767	(000000-) Clamp-Cable,.69Dia. 62Wth	1	
20	09010	(000000-) Scr Hexssm 8X1.25 25	1	
21	24199	(000000-) Scr Hesssm 5X0.8 16	2	
22	01683	(000000-) Washer Flt .31Ss	2	
23	09739	(000000-) Nut-HxlocnIn M5X0.8 Reg Ss	2	

Fig. 9 - Backup Alarm Group

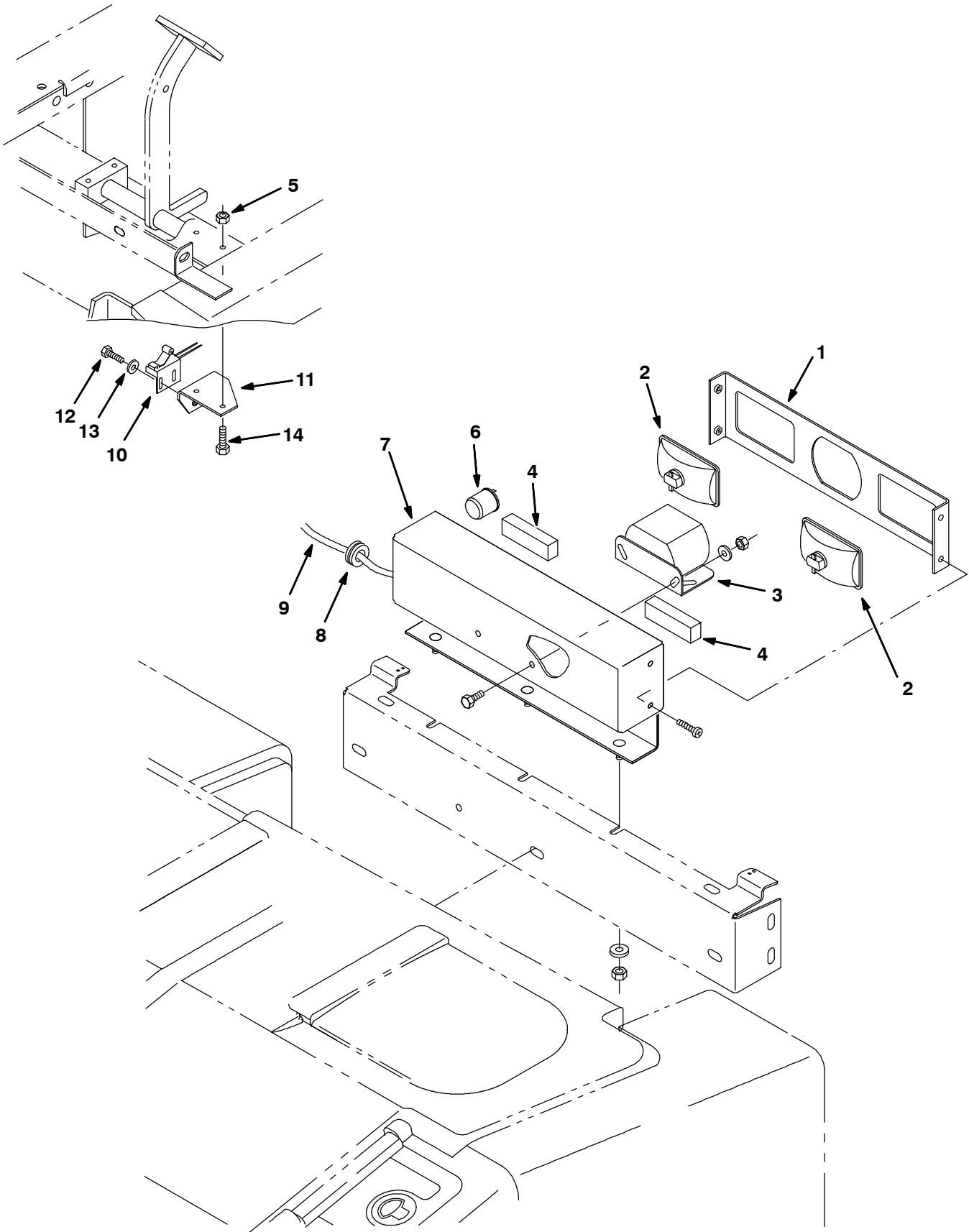


Fig. 9 - Backup Alarm Group

	Ref.	Tennant Part No.	Machine Serial Number	Description	Qty.
▽		25755	(000000-) Kit, Ci, Alarm, Backup	1
▲	1	71651	(000000-) Plate, Backup Alarm	1
▲	2	71653	(000000-) Light, Backup 12V	2
▲	3	61920	(000000-) Horn, Back-Up Alarm	2
▲	4	54338-2	(000000-) Seal,Foam Rbr, .75 1.00W 3.5L	2
▲	5	08712	(000000-) Nut Hxlocnyln M 6X1.0 Reg Ss	2
▲	6	31922	(000000-) Flasher Heavy Duty	1
▲	7	71649	(000000-) Bracket Wldt, Backup Alarm	1
▲	8	10632-9	(000000-) Grommet,Rbr,0.56ld,For .13Matl	1
▲	9	71652	(000000-) Harness, Back Up Alarm	1
▲	10	59962	(000000-) Switch, Roller	1
▲	11	71648	(000000-) Bracket, Switch	1
▲	12	09738	(000000-) Scr Hexssm 5X0.8 12	2
▲	13	01683	(000000-) Washer Flt 10 Ss	2
▲	14	08716	(000000-) Screw Hex Ssm 6 X 1.0 20	2

Fig. 10 - Side Brush Mount Group

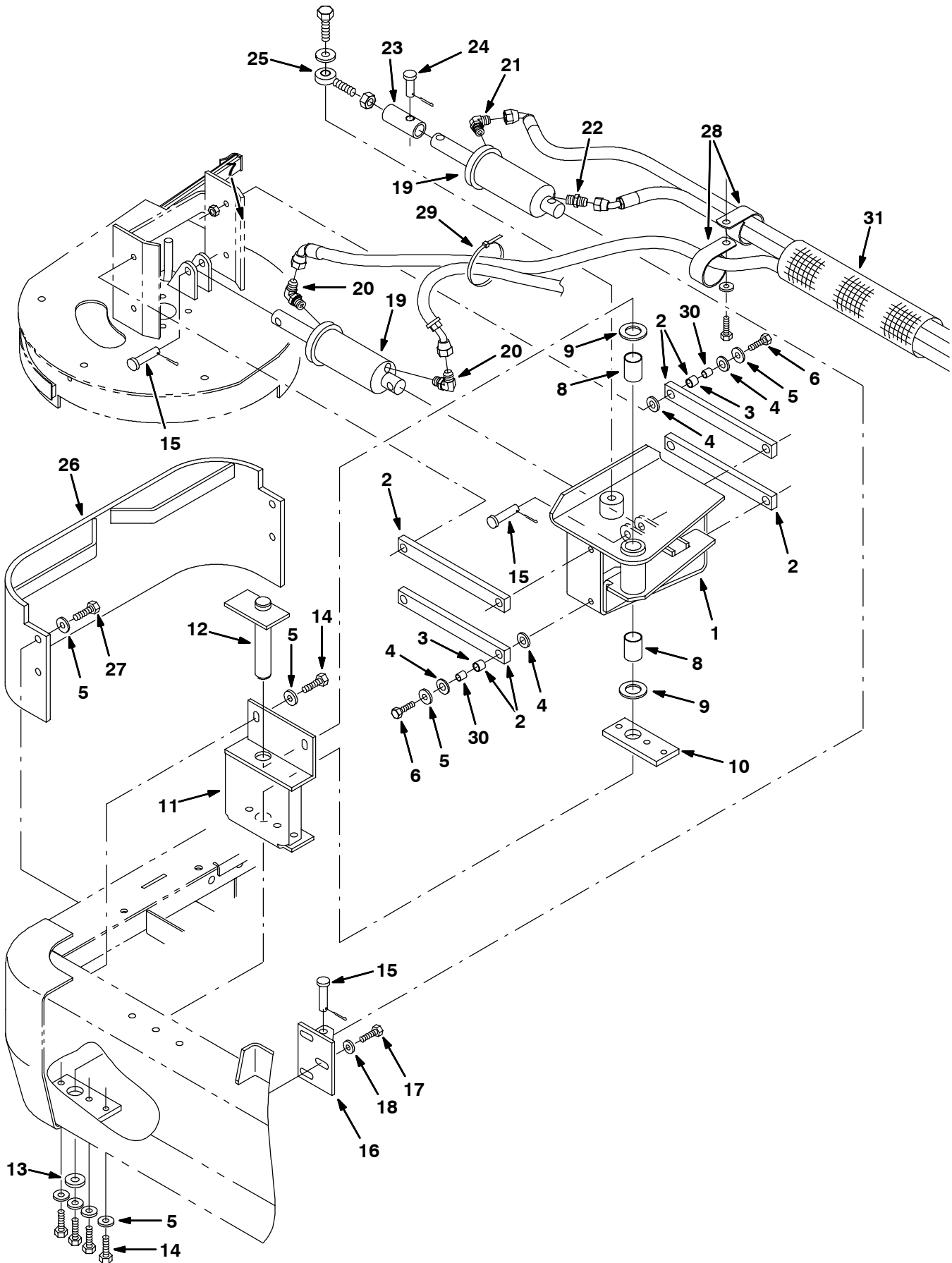


Fig. 10 - Side Brush Mount Group

Ref.	Tennant Part No.	Machine Serial Number	Description	Qty.
1	71855	(000000-) Pivot Wldt, Side Brush	1
▽ 2	63175-1	(000000-) Arm Assy, Link	4
▲ 3	63233	(000000-) Bearing, Sleeve 0.50B 0.59D 0.50L	2
4	59633	(000000-) Bearing, Thrust - Fiberglide	16
5	01685	(000000-) Washer Flt .31 Ss	18
6	36845	(000000-) Scr Hexss.38-16X1.50	8
7	59156	(000000-) Nut-Hxlocnyln .38-16 Regss18-8	8
8	71868	(000000-) Bearing, Sleeve,1ldx1.12Odx1.5	2
9	71869	(000000-) Bearing, Thrust, 11D X 1.75 Od	2
10	71866	(000000-) Plate, Pin Retaining, S Br	1
11	71860	(000000-) Channel Wldt, Mtg, S Br	1
12	71863	(000000-) Pin Wldt, S Br	1
13	41619	(000000-) Washer Flt .50 Ss	2
14	09028	(000000-) Scr Hexssm10X1.5 25	6
15	63147	(000000-) Pin,Clevis,0.50 Dia.X 1.87 Lg	3
16	71815	(000000-) Bracket Wldt, Mounting, Cyl	1
17	09740	(000000-) Scr Hexssm 8X1.25	3
18	01685	(000000-) Washer Flt .31 Ss	3
19	54096	(000000-) Cylinder-Hyd2.0X4.0Da2500Psi	2
20	77097	(000000-) Ftg-Hyd E90 Jm04/Om04	2
21	77098	(000000-) Ftg-Hyd E90 Jm06/Om04	1
22	50960	(000000-) Ftg-Hyd Str Jm06/Om04	1
23	71832	(000000-) Adaptor, Rod-End, S Br	1
24	06598	(000000-) Pin,Clevis,0.50 Dia.X 1.42 Lg	1
25	71874	(000000-) Rod-End,Ball Joint,Male,.50	1
26	71870	(000000-) Bumper Wldt, S Br	1
27	09291	(000000-) Scr Hexssm10X1.5 20	4
28	53466	(000000-) Clamp-Cable, 1.50Dia 1.00W	2
29	44961	(000000-) Tie, Cable 4.00 Max 14.50Lg	6
30	63234	(000000-) Sleeve, Bearing	8
31	82830	(000000-) Sleeve, Nylon 16.0L	1

Fig. 11 - Side Brush Motor Group

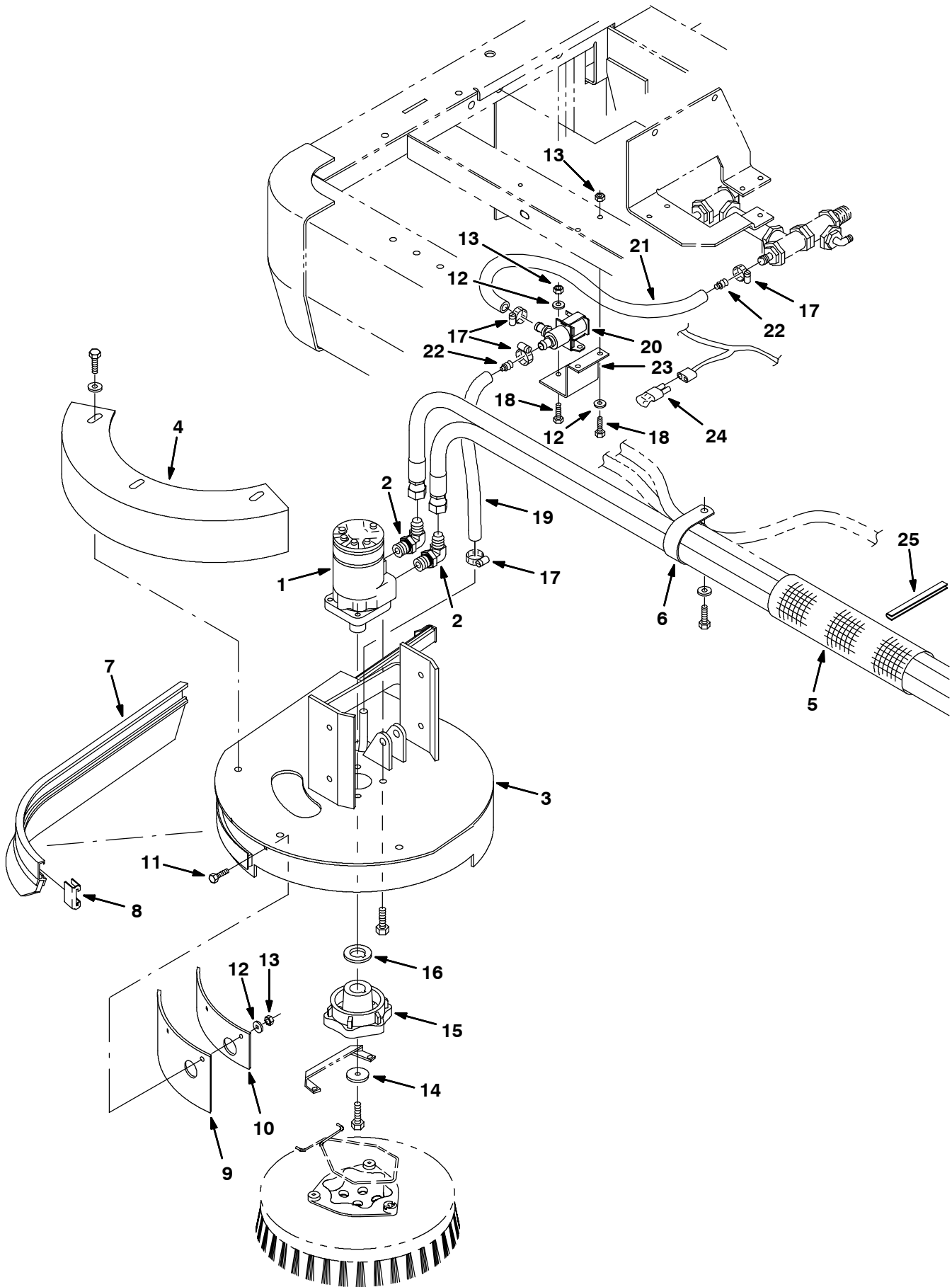


Fig. 11 - Side Brush Motor Group

Ref.	Tennant Part No.	Machine Serial Number	Description	Qty.
1	71722	(000000-004575)	Motor, Hyd Gear (See Breakdowns) (Replaced by 369820)	1
1	369816	(004576-	Motor, Hyd Gear (See Breakdowns)	1
2	56821	(000000-	Ftg-Hyd E90 Jm08/Om10	2
3	71808	(000000-	Housing Wldt, Side Brush	1
4	71825	(000000-	Guard Wldt, Sqge, S Br	1
5	57224	(000000-	Sleeve, Nylon 16.0L	1
6	53466	(000000-	Clamp-Cable, 1.50Dia 1.00W	1
7	71839	(000000-	Squeegee Assy, S Br	1
8	86759	(000000-	Retainer, Squeegee	1
9	12678	(000000-	Skirt, Side Brush	1
10	12677	(000000-	Retainer, Side Brush	1
11	09007	(000000-	Scr Hexssm 6X1.0 25	3
12	01684	(000000-	Washer Flt .25 Ss	7
13	08712	(000000-	Nut Hxlocnyln M 6X1.0 Reg Ss	7
14	19191	(000000-	Spacer Hub	1
15	15107	(000000-	Hub,Brush Drive	1
16	25611	(000000-	Spacer Hub	1
17	54333	(000000-	Clamp-Wormdrive, 0.31- 0.88D	4
18	08716	(000000-	Screw, Hex Ssm 6 X 1.0 20	4
19	65587	(000000-	Hose, Pvc, .50Idx.73Od 34.0Lg	1
20	369850	(000000-	Valve, Water, Solenoid	1
21	45487-6	(000000-	Hose Vinyl Cl.,0.50 Idx15.0 Lg	1
22	25620	(000000-	Ftg, Plastic Str Barb.25H/.50H	2
23	20801	(000000-	Bracket, Sol Control, Sb	1
24	73445	(000000-	Diode Assy	1
25	57564	(000000-	Molding, Trim 11-14Ga 5.00	1

Fig. 12 - Side Brush Hydraulic Group (000000-005613)

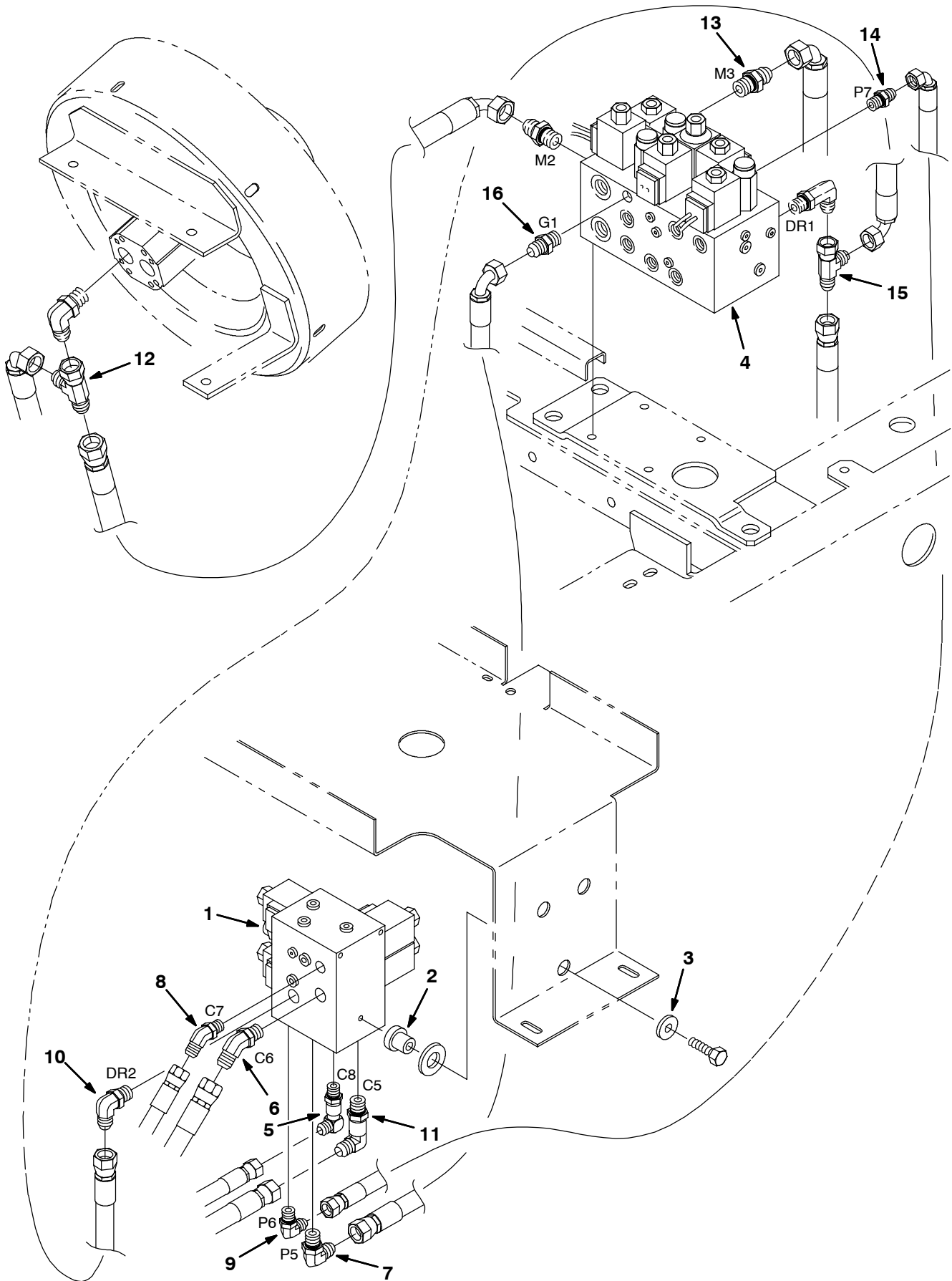


Fig. 12 - Side Brush Hydraulic Group (000000-005613)

Ref.	Tennant Part No.	Machine Serial Number	Description	Qty.
1	71708	(000000-005613)	Valve, Hyd Contol Sol (See Breakdowns)	1
2	54274	(000000-005613)	Isolator-Vibration,125Lb.Ratng	3
3	13248	(000000-005613)	Washer .400B 1.12D .12Cr Znc	3
4	71760	(000000-005613)	Valve Assy, Side Brush (See Breakdowns)	1
4	71762	(000000-005613)	Valve Assy, Side Br, Nylon Br (See Breakdowns)	1
5	82825	(000000-005613)	Ftg-Hyd E90 Jm04/Om04	1
6	47522	(000000-005613)	Ftg-Hyd E45 Jm06/Om06	1
7	56820	(000000-005613)	Ftg-Hyd E90 Jm06/Om06	1
8	34359	(000000-005613)	Ftg-Hyd E45 Jm04/Om04	1
9	77097	(000000-005613)	Ftg-Hyd E90 Jm04/Om04	1
10	56820	(000000-005613)	Ftg-Hyd E90 Jm06/Om06	1
11	71727	(000000-005613)	Fitting-Hyd E90	1
12	45482	(000000-005613)	Ftg-Hyd Tee Jm08Jmjf	1
13	44869	(000000-005613)	Ftg-Hyd Str Jm08/Om08	1
14	55586	(000000-005613)	Ftg-Hyd Str Jm04/Om04	1
15	42215	(000000-005613)	Ftg-Hyd Tee Jm06Jmjf	1
16	56690	(000000-005613)	Ftg-Hyd Str Jm06/Om06	1

Fig. 13 - Side Brush Hydraulic Group (005614-)

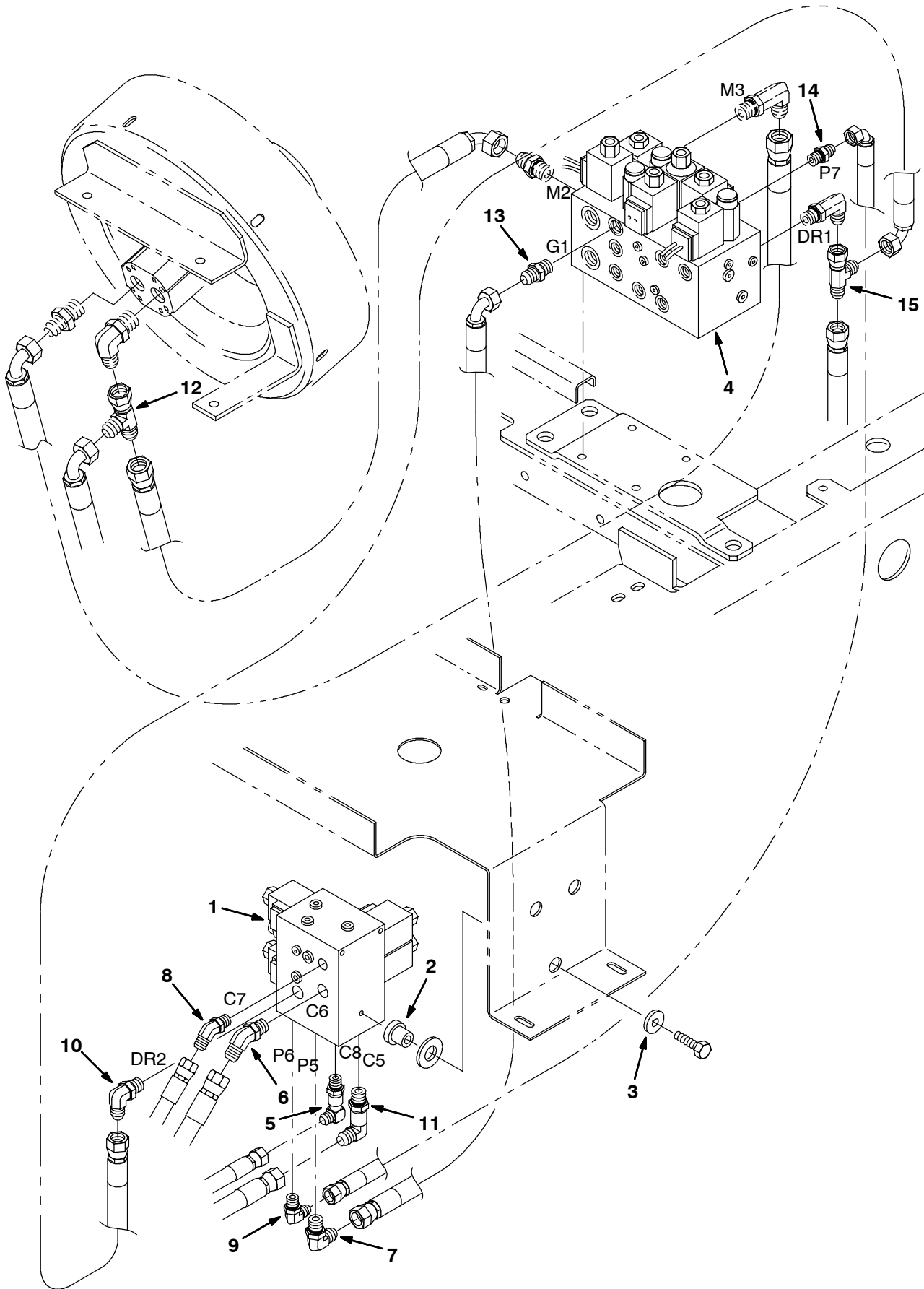


Fig. 13 - Side Brush Hydraulic Group (005614-)

Ref.	Tennant Part No.	Machine Serial Number	Description	Qty.
1	71708	(005614-) Valve, Hyd Contol Sol (See Breakdowns)	1
2	54274	(005614-) Isolator-Vibration,125Lb.Ratng	3
3	13248	(005614-) Washer .400B 1.12D .12Cr Znc	3
4	71760	(005614-) Valve Assy, Side Brush (See Breakdowns)	1
4	71762	(005614-) Valve Assy, Side Br, Nylon Br (See Breakdowns)	1
5	82825	(005614-) Ftg-Hyd E90 Jm04/Om04	1
6	47522	(005614-) Ftg-Hyd E45 Jm06/Om06	1
7	56820	(005614-) Ftg-Hyd E90 Jm06/Om06	1
8	34359	(005614-) Ftg-Hyd E45 Jm04/Om04	1
9	77097	(005614-) Ftg-Hyd E90 Jm04/Om04	1
10	56820	(005614-) Ftg-Hyd E90 Jm06/Om06	1
11	71727	(005614-) Fitting-Hyd E90	1
12	45482	(005614-) Ftg-Hyd Tee Jm08Jmjf	1
13	56690	(005614-) Ftg-Hyd Str Jm06/Om06	1
14	55586	(005614-) Ftg-Hyd Str Jm04/Om04	1
15	42215	(005614-) Ftg-Hyd Tee Jm06Jmjf	1

Fig. 14 - Side Brush Hydraulic Hose Group (00000-005613)

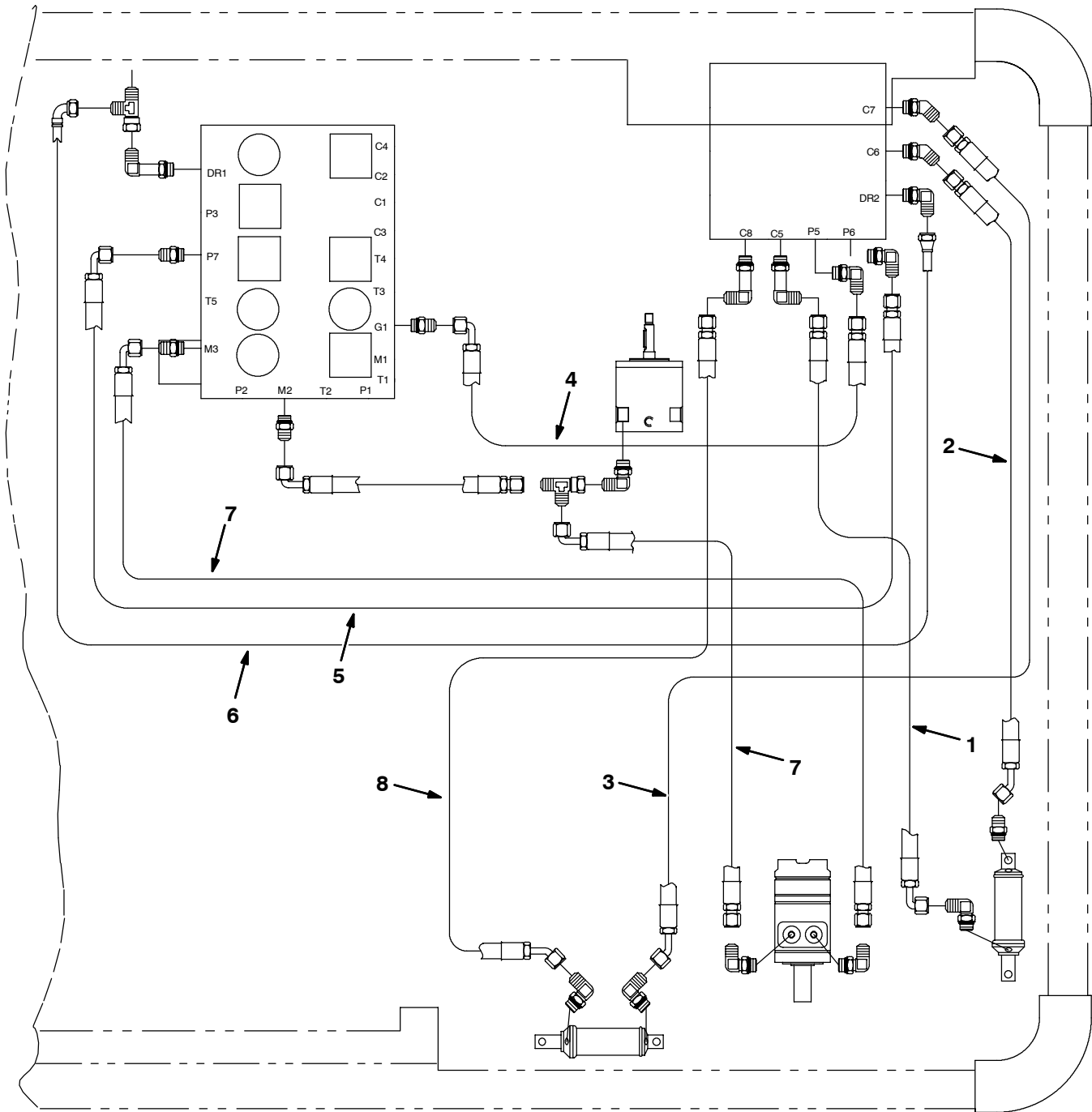


Fig. 14 - Side Brush Hydraulic Hose Group (000000-005613)

Ref.	Tennant Part No.	Machine Serial Number	Description	Qty.
1	31596	(000000-005613)	Hose-Hyd Med06 Jf/J9	1
2	71757	(000000-005613)	Hose-Hyd Med06 Jf/J4	1
3	71756	(000000-005613)	Hose-Hyd Ar 04 Jf/J4	1
4	71747	(000000-005613)	Hose-Hyd Med06	1
5	71748	(000000-005613)	Hose-Hyd Med04	1
6	31598	(000000-005613)	Hose-Hyd Med06 Jf/J9	1
7	71751	(000000-005613)	Hose-Hyd Ar08	2
8	59581	(000000-005613)	Hose-Hyd Ar 04 Jf/J4	1

Fig. 15 - Side Brush Hydraulic Hose Group (005614-)

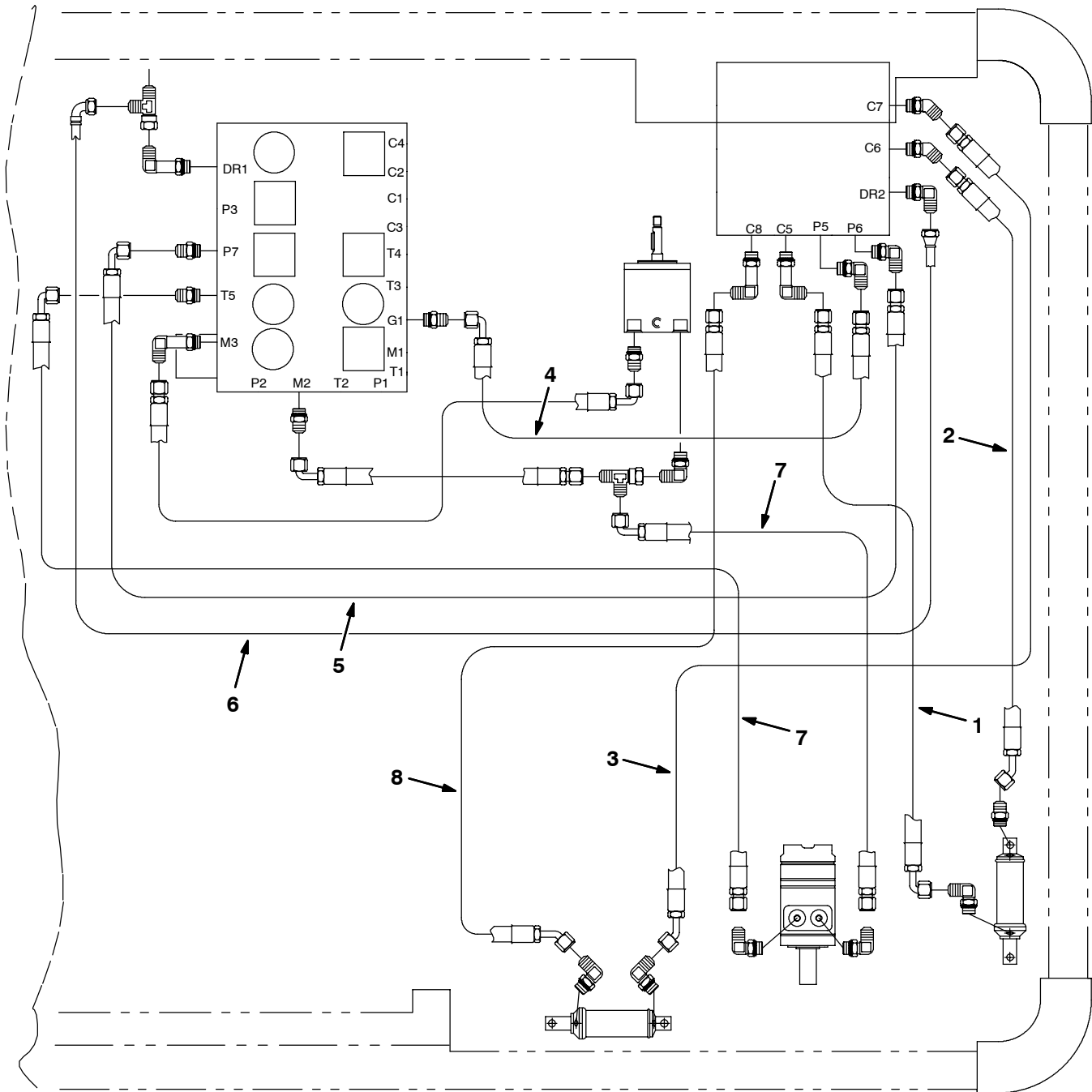
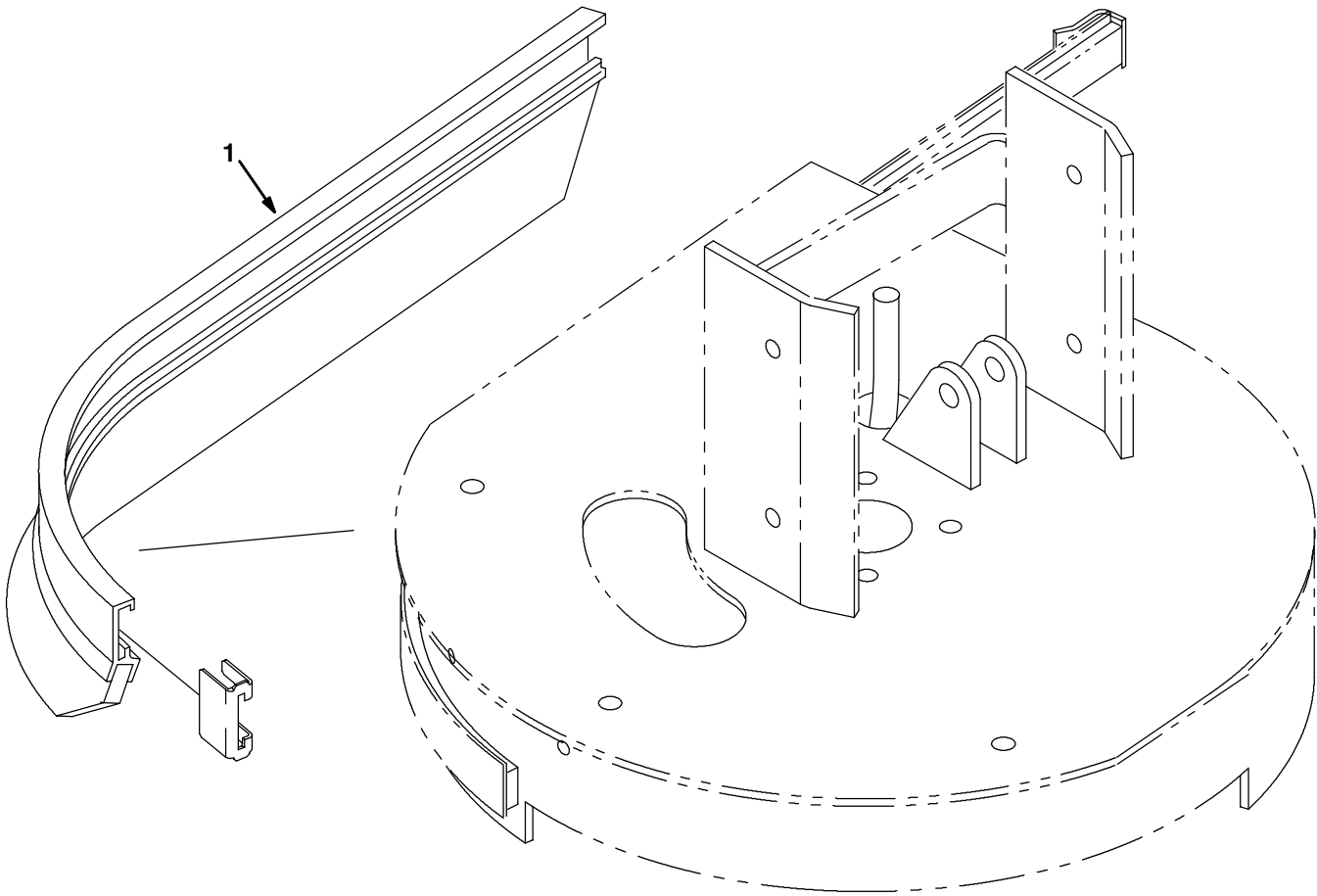


Fig. 15 - Side Brush Hydraulic Hose Group (005614-)

Ref.	Tennant Part No.	Machine Serial Number	Description	Qty.
1	31596	(005614-) Hose-Hyd Med06 Jf/J9	1
2	71757	(005614-) Hose-Hyd Med06 Jf/J4	1
3	71756	(005614-) Hose-Hyd Ar 04 Jf/J4	1
4	71747	(005614-) Hose-Hyd Med06	1
5	71748	(005614-) Hose-Hyd Med04	1
6	31598	(005614-) Hose-Hyd Med06 Jf/J9	1
7	71751	(005614-) Hose-Hyd Ar08	2
8	59581	(005614-) Hose-Hyd Ar 04 Jf/J4	1

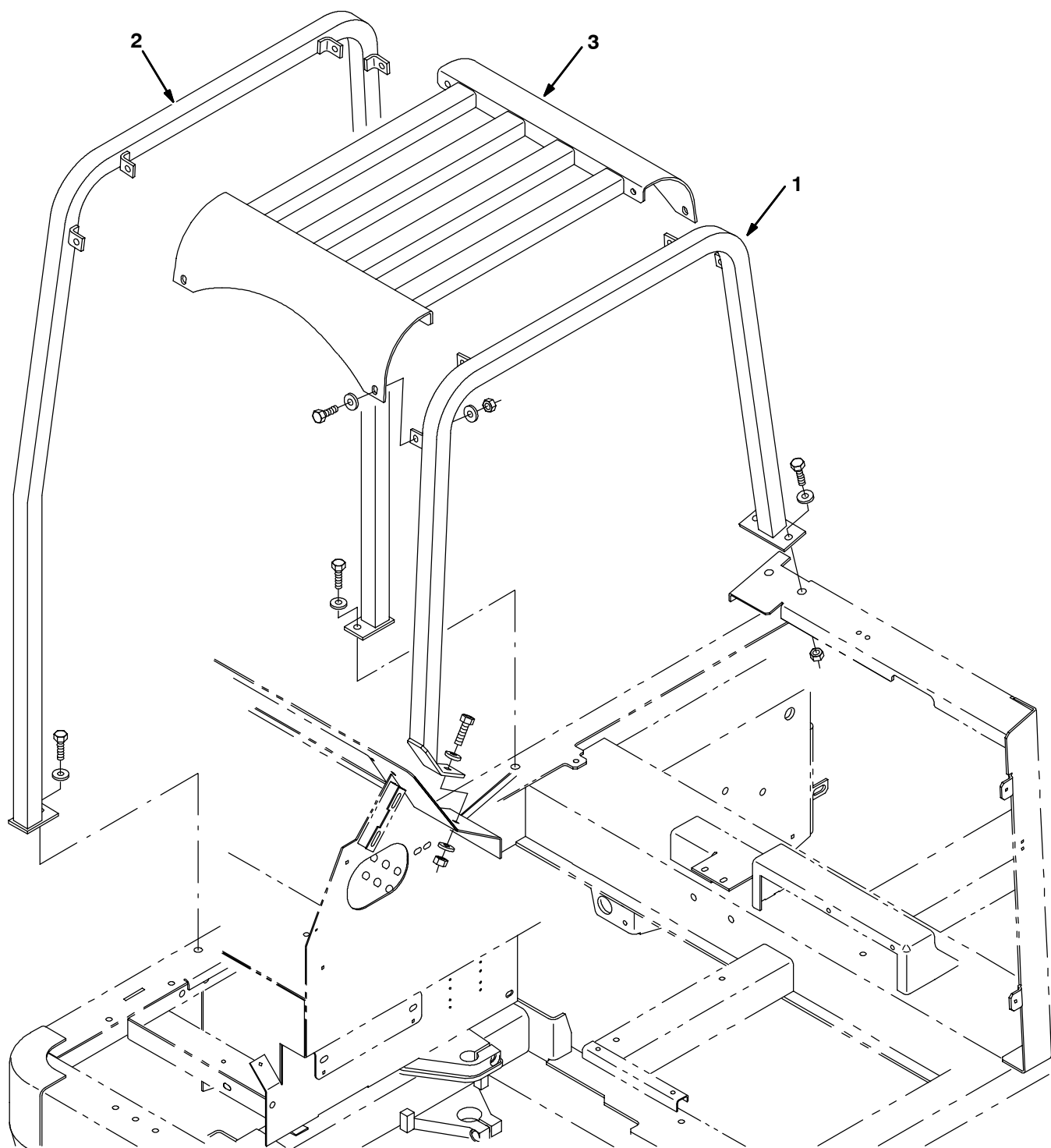
Fig. 16 - Urethane Side Brush Squeegee Assembly



10877 - NA, JP

Ref.	Tennant Part No.	Machine Serial Number	Description	Qty.
1	71355	(000000-)	Squeegee Assy, S Br Urethane	1

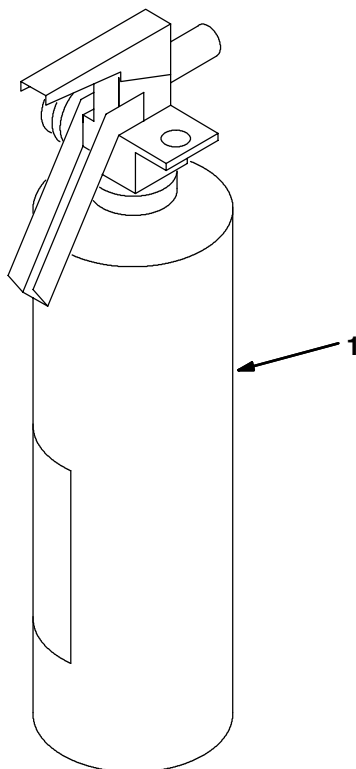
Fig. 17 - Overhead Guard Kit



10781 - NA, JP

Ref.	Tennant Part No.	Machine Serial Number	Description	Qty.
▽	25769	(000000-) Guard Kit, Overhead	1
▲	1 25744	(000000-) Tube Wldt, Leg, Ohg, Lh	1
▲	2 25745	(000000-) Tube Wldt, Leg, Ohg, Rh	1
▲	3 25746	(000000-) Guard Wldt, Oh, Top	1

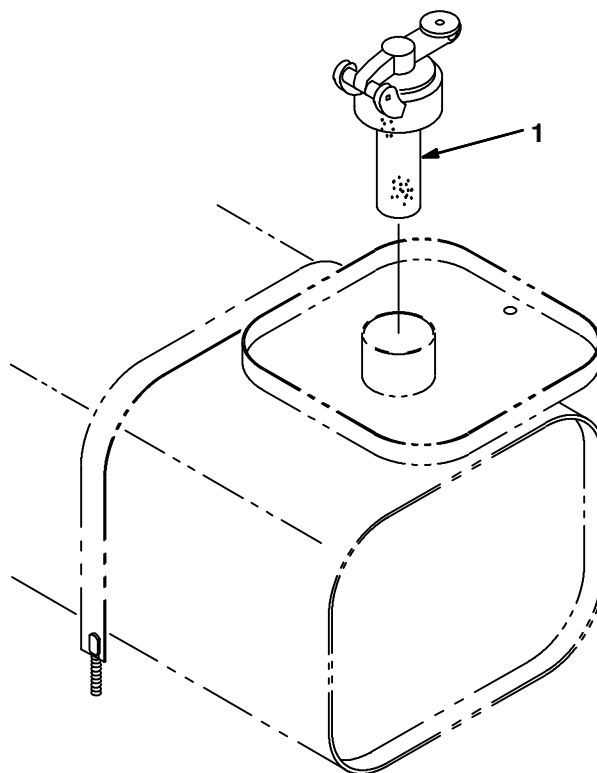
Fig. 18 - Fire Extinguisher Kit



07516 - NA, JP

	Ref.	Tennant Part No.	Machine Serial Number	Description	Qty.
▽		20795	(000000-)	Extinguisher Kit 7400	1
▲	1	25312	(000000-)	Extinguisher, Fire	1

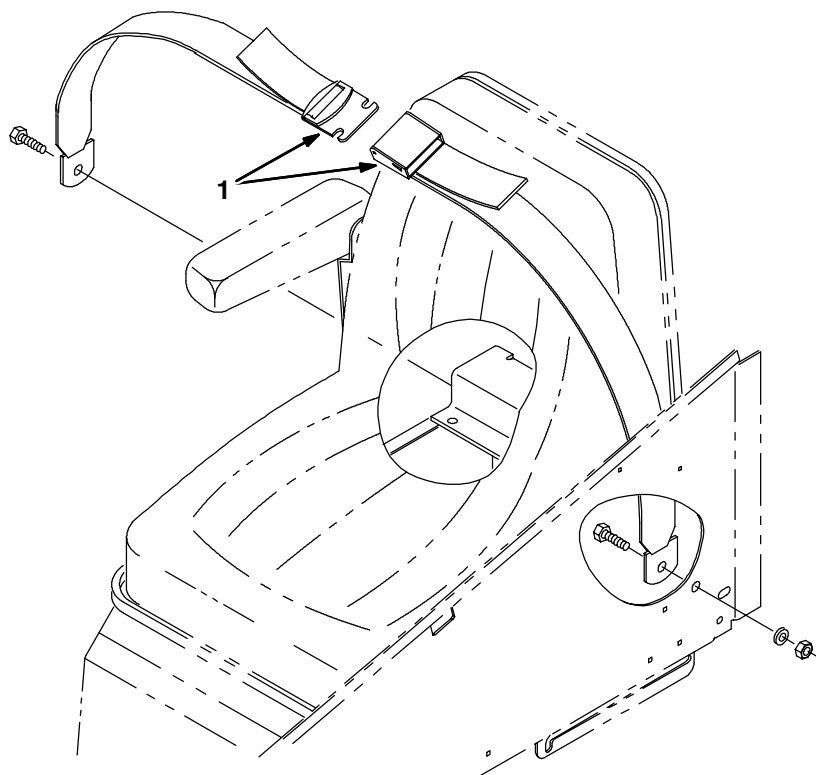
Fig. 19 - Protectoseal Fuel Tank Cap Group



10835 - ALL

Ref.	Tennant Part No.	Machine Serial Number	Description	Qty.
1	02506-6	(000000-) Cap, Fuel, Protectoseal	1

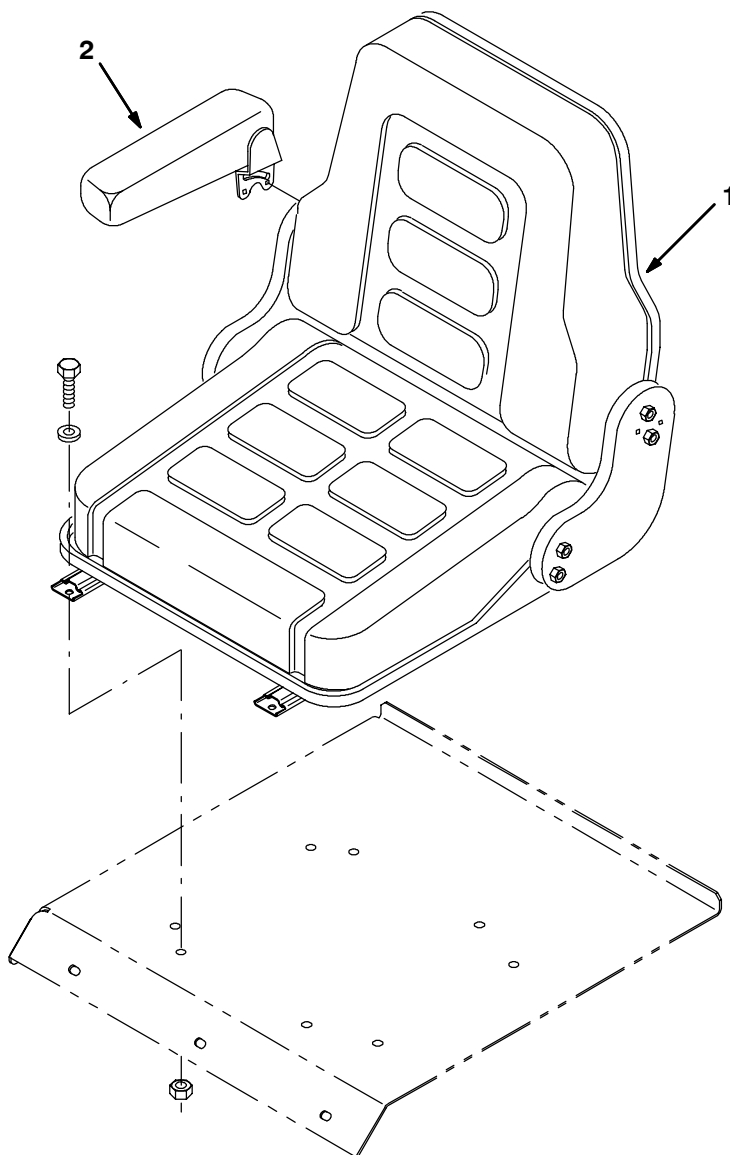
Fig. 20 - Seat Belt Kit



10837 - ALL

	Ref.	Tennant Part No.	Machine Serial Number	Description	Qty.
▽		20798	(000000-)	Seat Belt Kit 7400	1
▲	1	30533	(000000-)	Belt, Seat	1

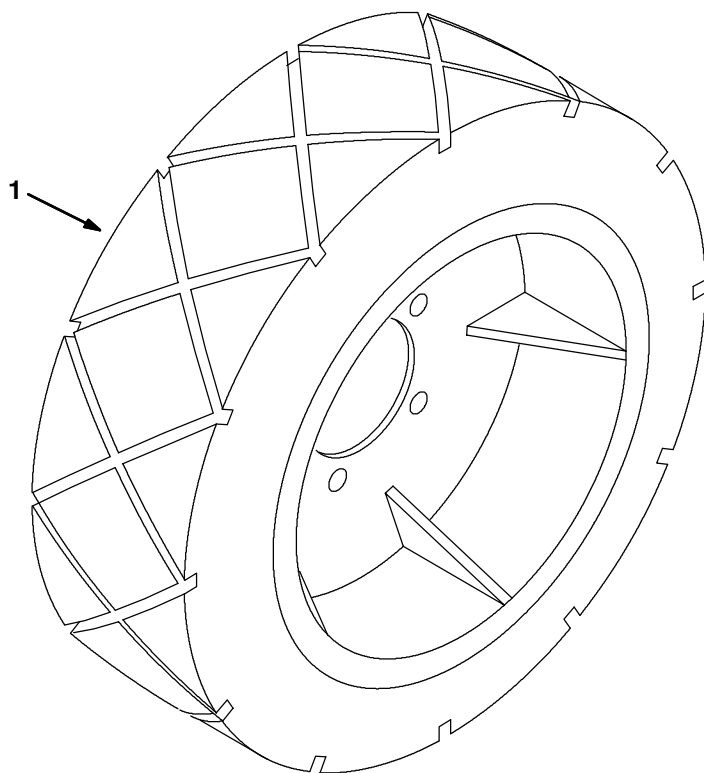
Fig. 21 - Grammer Seat Kit



10839 - NA, JP

	Ref.	Tennant Part No.	Machine Serial Number	Description	Qty.
▽		20800	(000000-) Seat Kit, Grammer 7400	1
▲	1	53845	(000000-) Seat, Grammer	1
▲	2	71477	(000000-) Armrest Assy,Rh	1

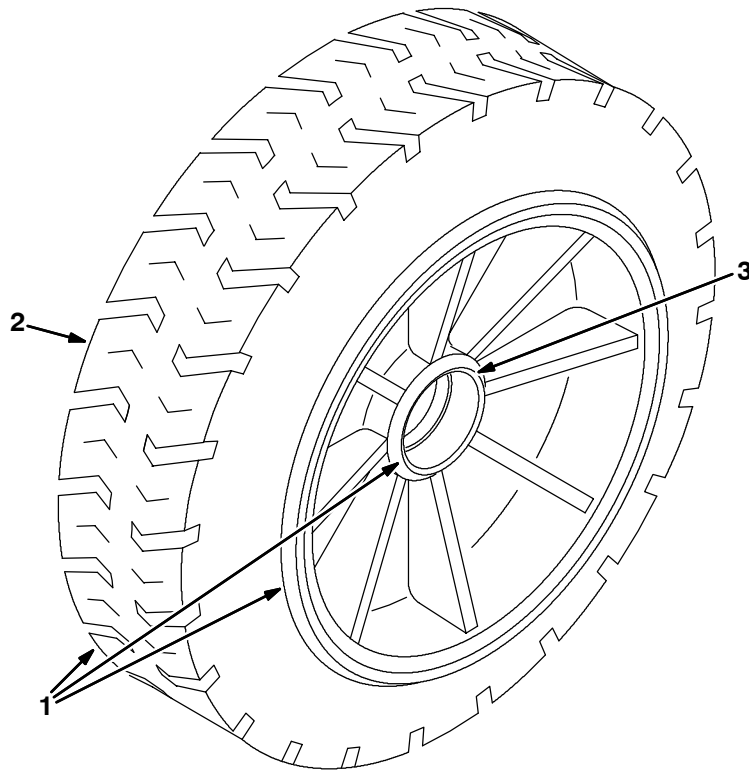
Fig. 22 - Solid High Traction Tire Group



10843 - ALL

Ref.	Tennant Part No.	Machine Serial Number	Description	Qty.
1	84597	(000000-) Tire Assy, Solid, High Traction, 18.0 X 6.0 X 4.5Bc	1

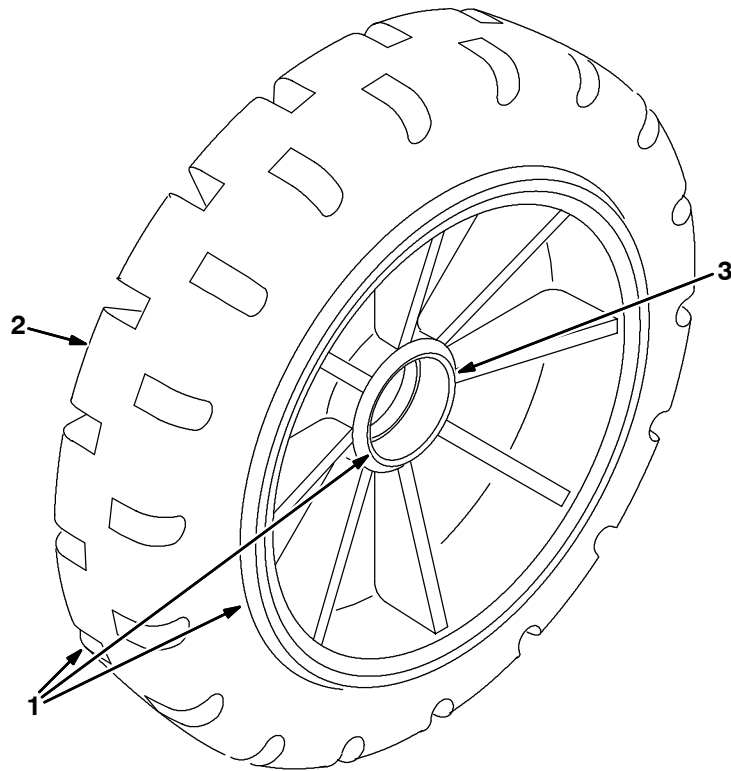
Fig. 23 - Solid Turf Tire and Wheel Assembly



352366 - ALL

	Ref.	Tennant Part No.	Machine Serial Number	Description	Qty.
▽	1	374605	(000000-) Tire & Wheel Assy, Solid Turf 18X7	1
▲	2	374604	(000000-) Tire, Solid 18X7X12.12 Turf	1
▲	3	51338	(000000-) Bearing, Cup, 2.56Dia 0.55W	2

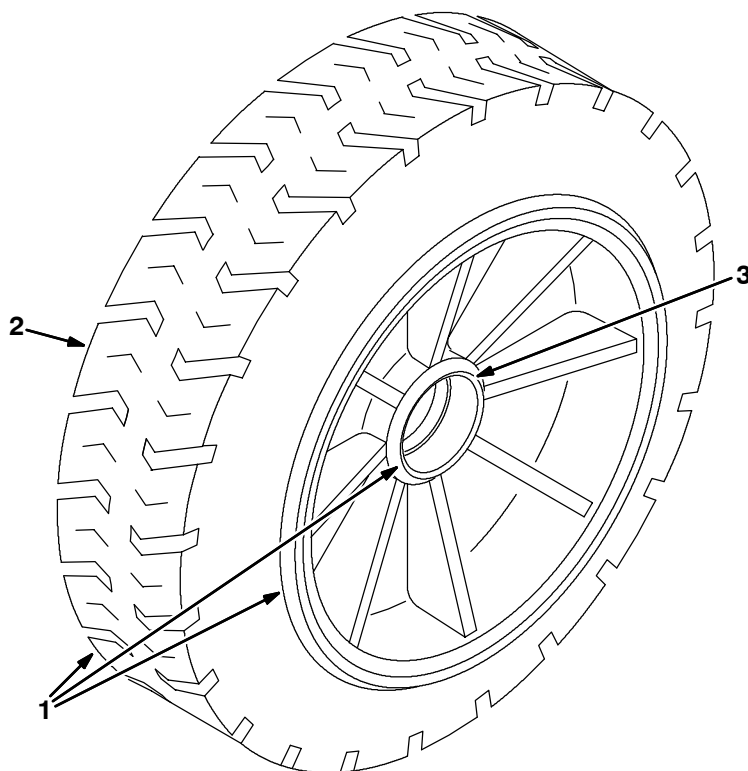
Fig. 24 - Solid Non Marking Tire and Wheel Assembly



352368 - ALL

	Ref.	Tennant Part No.	Machine Serial Number	Description	Qty.
▽	1	374608	(000000-) Tire & Wheel Assy, Solid Nonmark	1
▲	2	374607	(000000-) Tire, Solid 18X5X12.12 Nonmark	1
▲	3	51338	(000000-) Bearing, Cup, 2.56Dia 0.55W	2

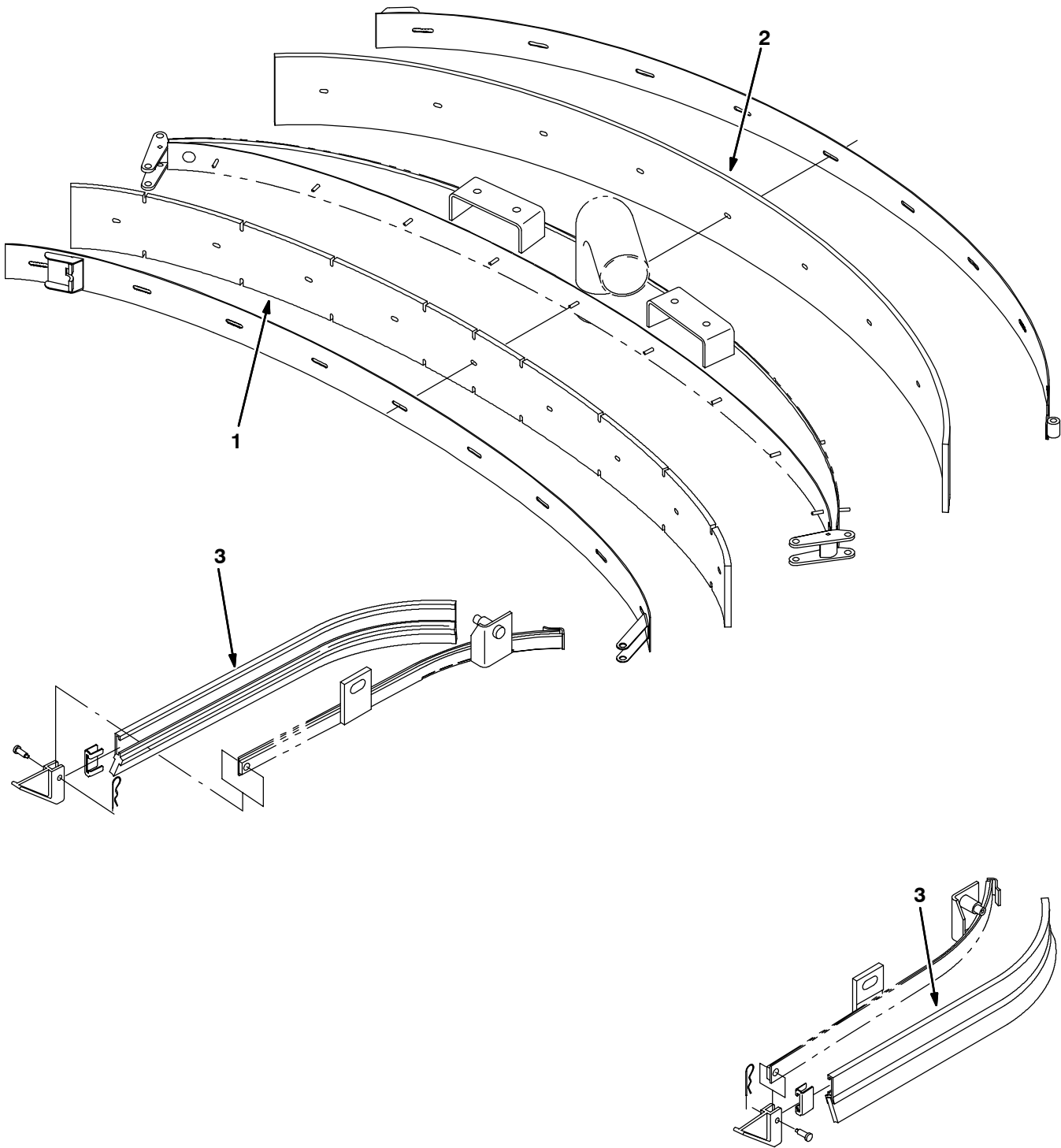
Fig. 25 - Solid Non Marking Turf Tire and Wheel Assembly



352366 - ALL

	Ref.	Tennant Part No.	Machine Serial Number	Description	Qty.
▽	1	374689	(000000-) Tire & Wheel Assy, Solid Non MarkingTurf 18X7	1
▲	2	374688	(000000-) Tire, Solid 18X7X12.12 Turf, Non Marking	1
▲	3	51338	(000000-) Bearing, Cup, 2.56Dia 0.55W	2

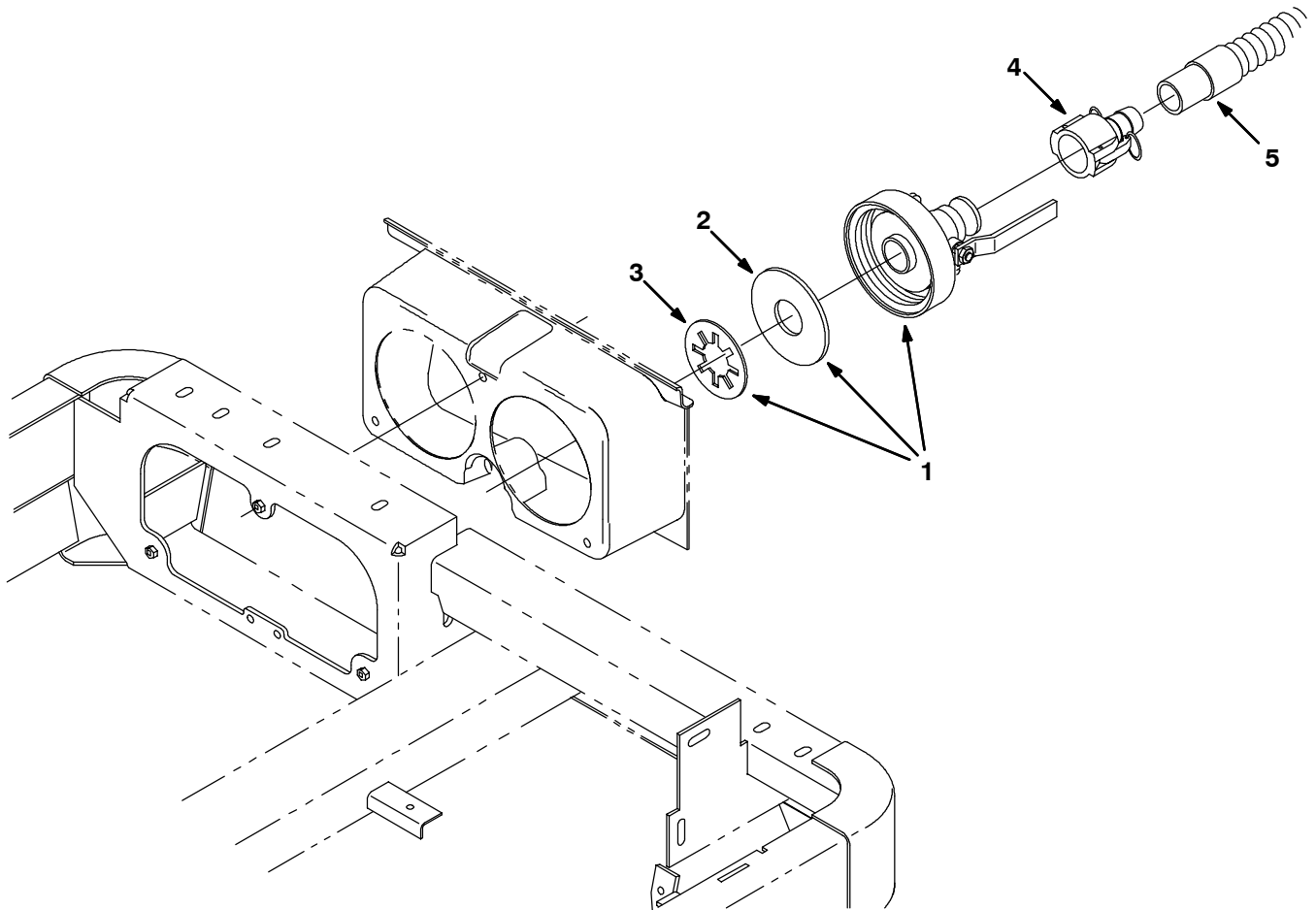
Fig. 26 - Urethane Squeegee Blade Kit



10847 - NA, JP

Ref.	Tennant Part No.	Machine Serial Number	Description	Qty.
▽	71357	(000000-) Squeegee Kit, Urethane	1
▲ 1	71353	(000000-) Blade, Squeegee, Front	1
▲ 2	71354	(000000-) Blade, Squeegee, Rear, Urethan	1
▲ 3	12472	(000000-) Squeegee Assy, Side	2

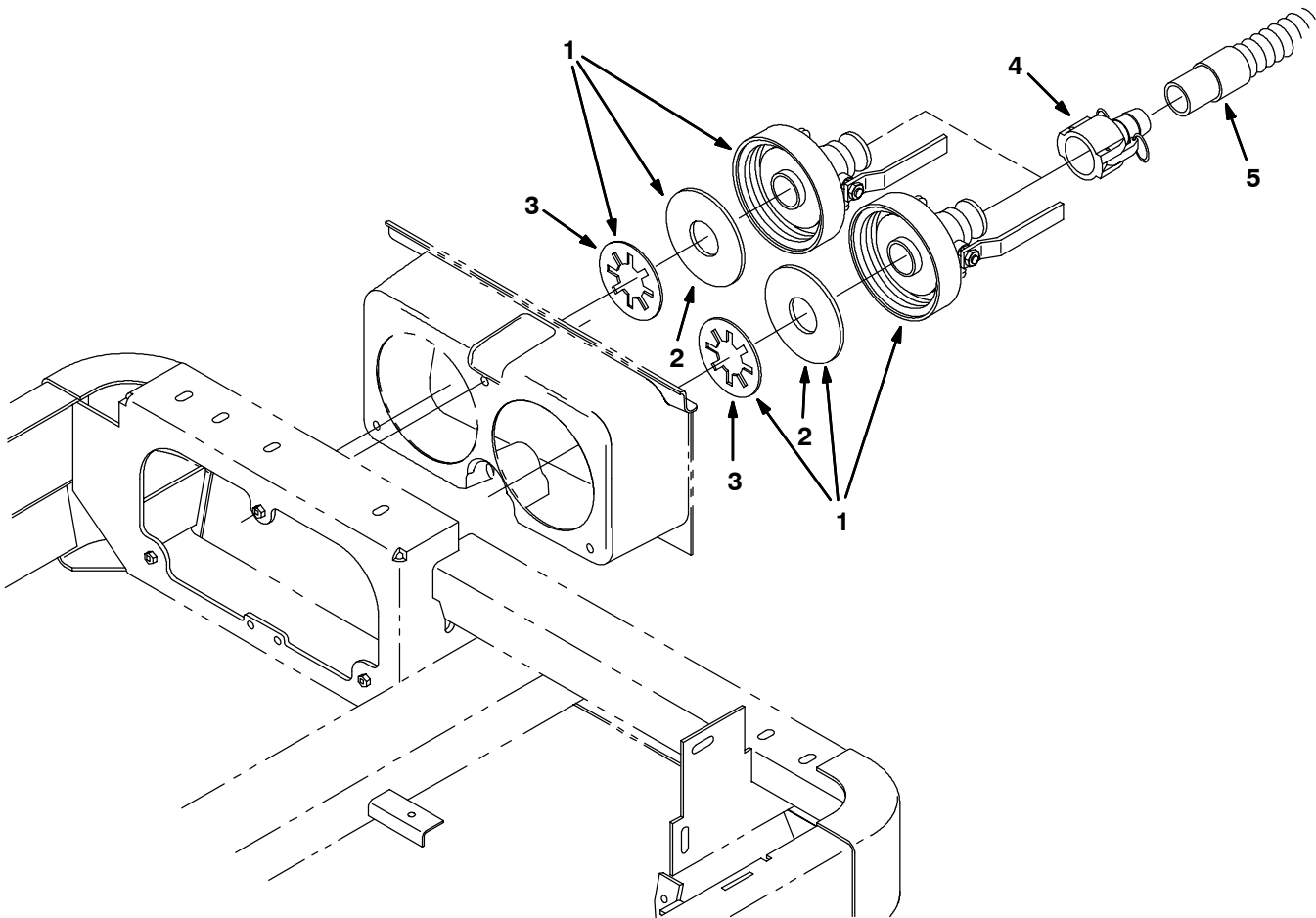
Fig. 27 - Positive Solution Control Drain Kit, Std



10850 - NA, JP

Ref.	Tennant Part No.	Machine Serial Number	Description	Qty.
▽	25778	(000000-) Pos Sol Ctrl Drn Sys Kit Std	1
▲▽	1 25783	(000000-) Cap Assy, Pos Drain	1
▲▲	23456	(000000-) Cap, Drain	1
▲▲	375014	(000000-) Kit, Valve Handle	1
▲▲	374618	(000000-) Kit, Ball & Seal	1
▲▲	2 375201	(000000-) Gasket	1
▲▲	3 20932	(000000-) Washer, Polyethylene	1
▲	4 48734	(000000-) Coupler, Female X Hose Shank	1
▲	5 75635	(000000-) Hose & Cuff Assy	1

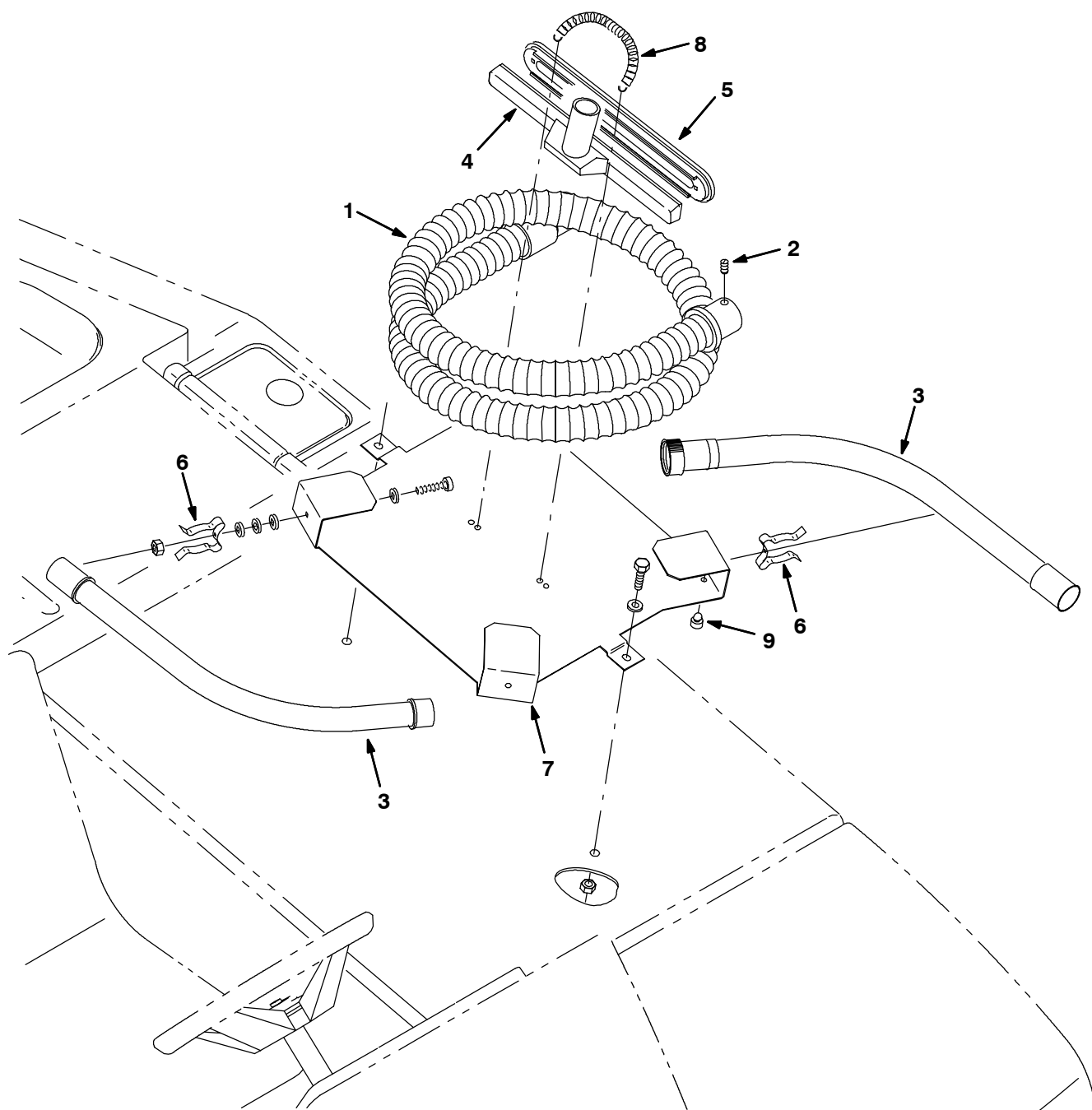
Fig. 28 - Positive Solution Control Drain Kit, ES™



10867 - ALL

Ref.	Tennant Part No.	Machine Serial Number	Description	Qty.
▽	25781	(000000-)	Pos Sol Ctrl Drn Sys Kit, Es	1
▲▽	1 25783	(000000-)	Cap Assy, Pos Drain	2
▲▲	23456	(000000-)	Cap, Drain	1
▲▲	375014	(000000-)	Kit, Valve Handle	1
▲▲	374618	(000000-)	Kit, Ball & Seal	1
▲▲	2 375201	(000000-)	Gasket	1
▲▲	3 20932	(000000-)	Washer, Polyethylene	1
▲	4 48734	(000000-)	Coupler, Female X Hose Shank	1
▲	5 75635	(000000-)	Hose & Cuff Assy	1

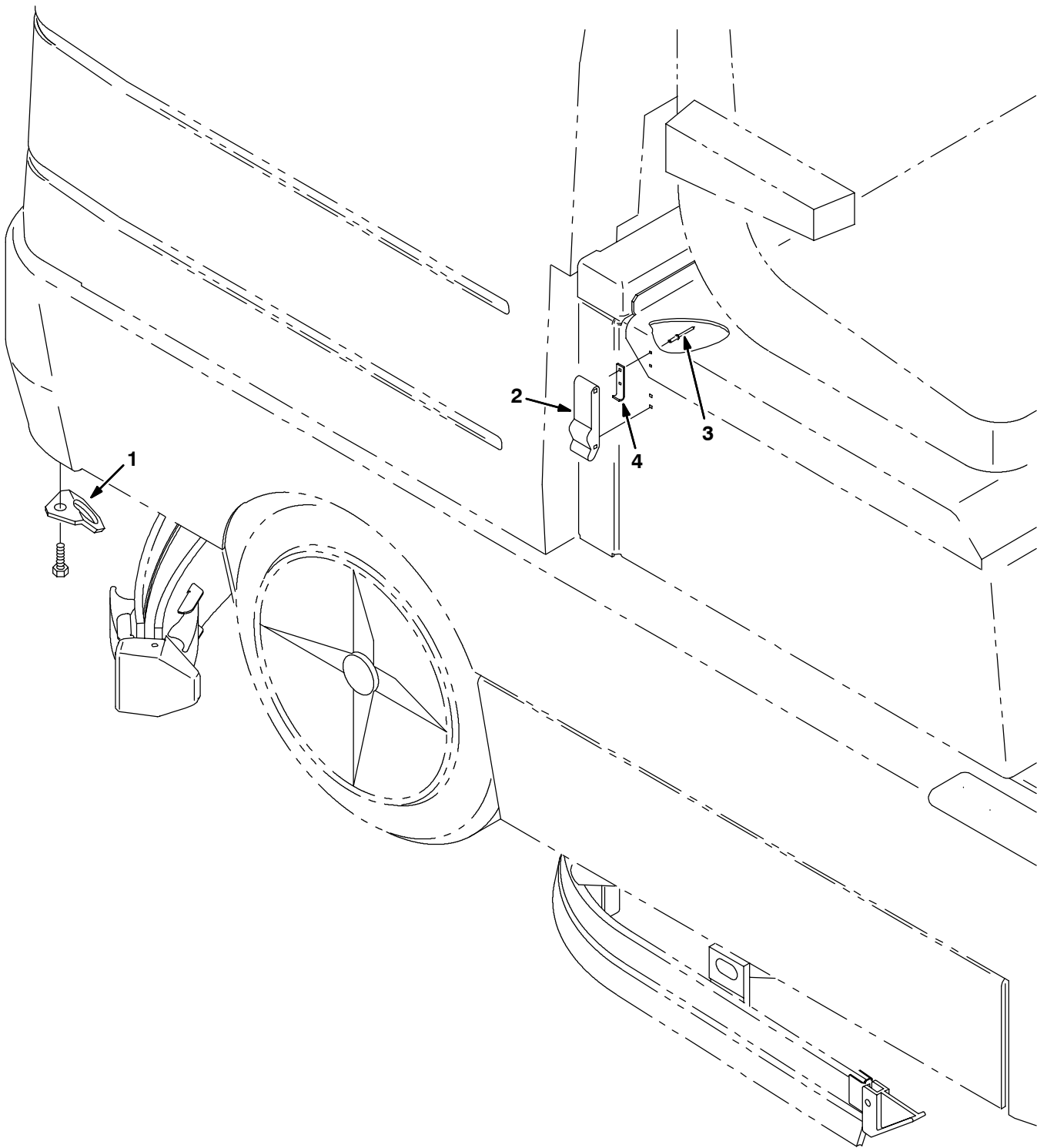
Fig. 29 - Squeegee Wand Kit



10879 - ALL

Ref.	Tennant Part No.	Machine Serial Number	Description	Qty.
▽	25775	(000000-) Squeegee Wand Kit 7400	1
▲ 1	69657	(000000-) Hose Assy, Wand Kit	1
▲ 2	69659	(000000-) Plunger, Spring .38-16	1
▲ 3	63448	(000000-) Wand, Metal - 2PC	1
▲ 4	63451	(000000-) Nozzle, Plastic Wand 14.0 Lg	1
▲ 5	63430	(000000-) Shoe, Plastic-Squeegee 14 In	1
▲ 6	67004	(000000-) Clip-Finger Grip	4
▲ 7	77322	(000000-) Panel, MTG, Hose	1
▲ 8	50304	(000000-) Spring, EXT	1
▲ 9	51787	(000000-) Bumper, Rubber	4

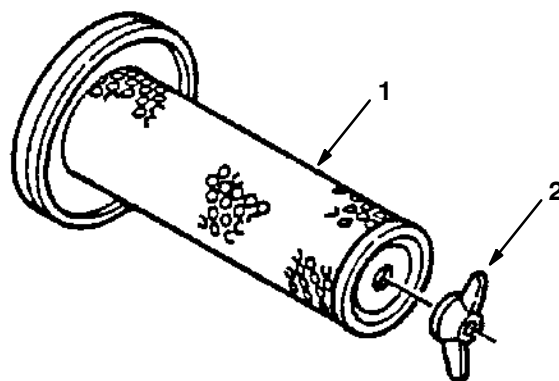
Fig. 30 - Transport Group



10914 - NA, JP

Ref.	Tennant Part No.	Machine Serial Number	Description	Qty.
1	14983	(000000-)	Bracket Tie Down	4
2	49800	(000000-)	Latch, Elastic	1
3	01335	(000000-)	Rivet, Pop-.125Dx.44X.25Dhd Al	4
4	78882	(000000-)	Bracket, Tiedown, Seat	1

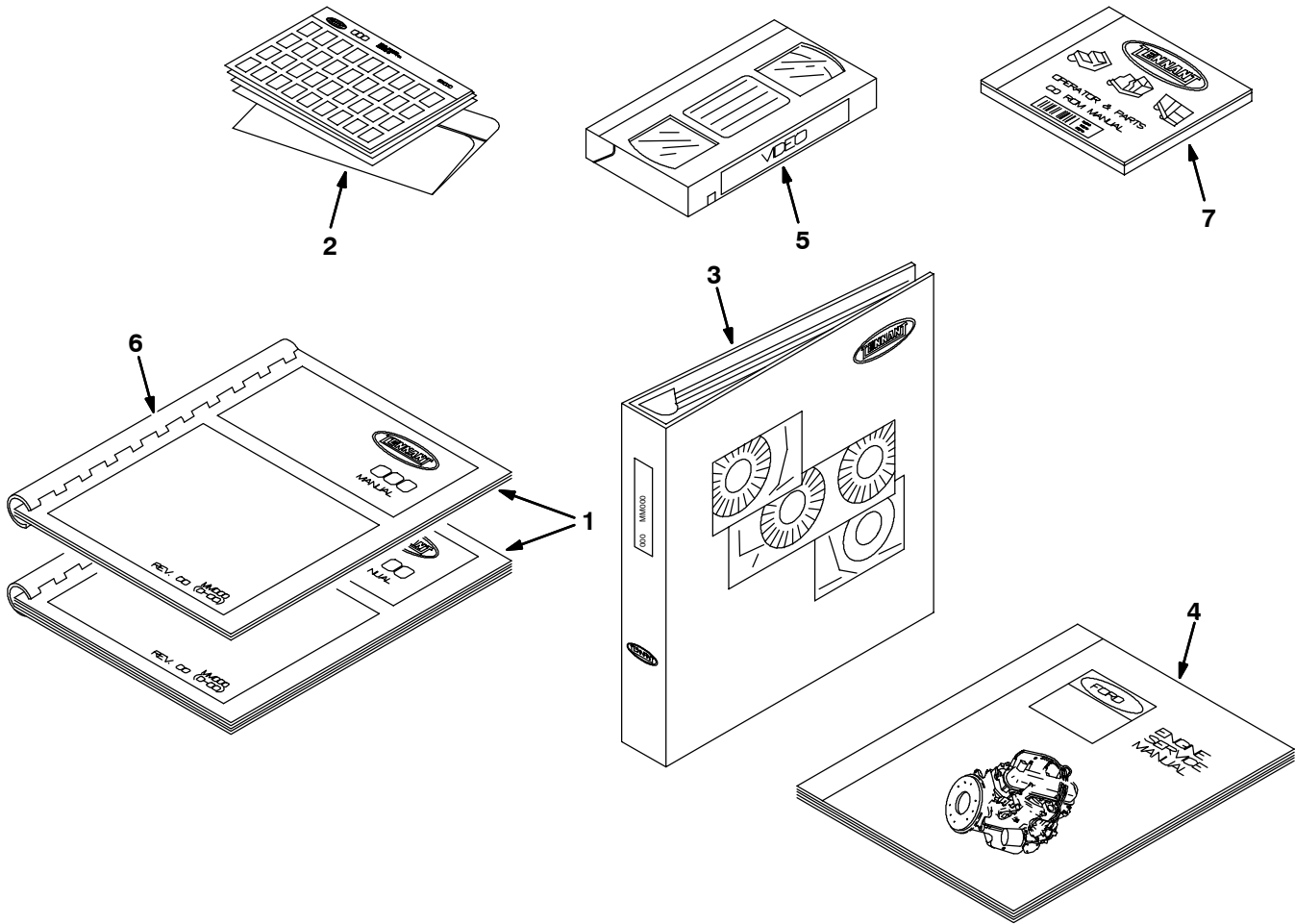
Fig. 31 - Heavy Duty Engine Air Filter Kit



04712 - ALL

	Ref.	Tennant Part No.	Machine Serial Number	Description	Qty.
▽		57876	(000000-) Kit, Air Filter, Heavy Duty	1
▲	1	58121	(000000-) Element, Safety	1
▲	2	07562	(000000-) Wingnut	1

Fig. 32 - Documentation Group



07501 - G, NA

Ref.	Tennant Part No.	Machine Serial Number	Description	Qty.
1	MM425	(000000-)	Manual Pkg 7400	1
2	85425	(000000-)	Manual-Fiche Pkg 7400 Mm425	1
▽ 3	MM428	(000000-)	Manual, Service	1
▲ 4	38978	(000000-)	Manual, Service, VSG FD	1
5	25773	(000000-)	Tape, Video, Operator 7400	1
6	MM425ES	(000000-)	Manual, OP/MT 7400, Spanish	1
6	MM425FR	(000000-)	Manual, OP/MT 7400, French	1
7	330710	(000000-)	Manual, Cd-Rom, Oprtr & Parts, All (NA)	1

SECTION 4

Contents	Page
Fig. 1 - Hydraulic Pump Breakdown, 71720	4-2
Fig. 2 - Hydraulic Pump Breakdown, 71716	4-4
Fig. 3 - Hydraulic Motor Breakdown, 71724	4-6
Fig. 4 - Hydraulic Motor Breakdown, 22604	4-8
Fig. 5 - Hydraulic Motor Breakdown, 71722	4-10
Fig. 6 - Hydraulic Motor Breakdown, 369816	4-11
Fig. 7 - Hydraulic Motor Breakdown, 71729	4-12
Fig. 8 - Hydraulic Steering Valve Breakdown, 71713	4-14
Fig. 9 - Hydraulic Motor Breakdown, 73112	4-16
Fig. 10 - Hydraulic Motor Breakdown, 71719	4-17
Fig. 11 - Hydraulic Solenoid Valve Breakdown, 71705	4-18
Fig. 12 - Hydraulic Solenoid Valve Breakdown, Side Brush 71760 ..	4-20
Fig. 13 - Hydraulic Solenoid Valve Breakdown, Nylon Brush, 71761	4-22
Fig. 14 - Hydraulic Solenoid Valve Breakdown, Side Brush and Nylon Brush, 71762	4-24
Fig. 15 - Hydraulic Solenoid Valve Breakdown, 71708	4-26
Fig. 16 - Extended Scrub Pump Breakdown, 20914	4-28
Fig. 17 - Extended Scrub Pump Breakdown, 379005	4-30
Fig. 18 - Extended Scrub Pump Breakdown, 20891	4-32
Fig. 19 - Hydraulic Flow Sensor Switch Breakdown, 73430	4-34
Fig. 20 - Metering Solution Pump Breakdown, 73260	4-35

Fig. 1 - Hydraulic Pump Breakdown, 71720

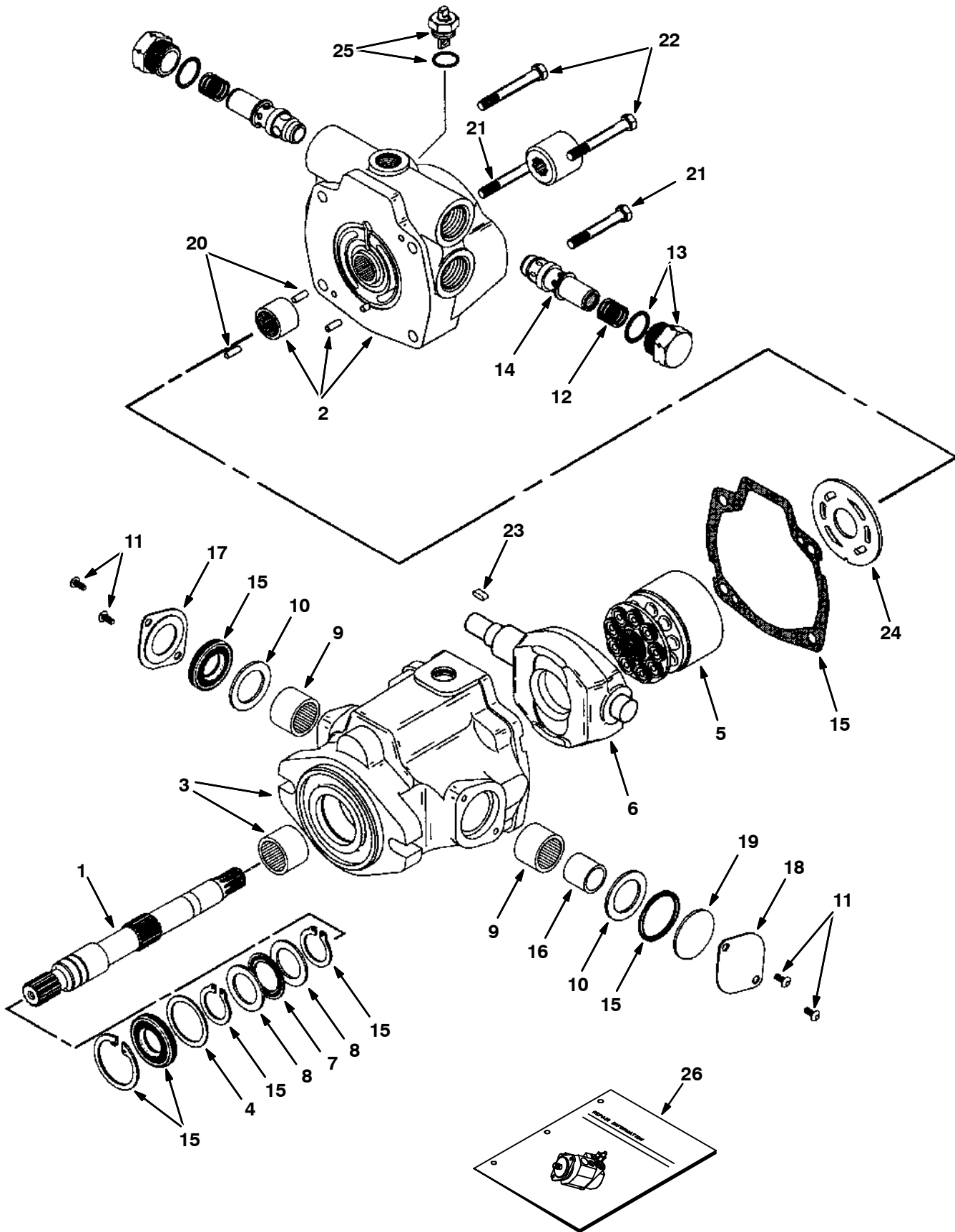


Fig. 1 - Hydraulic Pump Breakdown, 71720

Ref.	Tennant Part No.	Manufacturer Serial Number	Description	Qty.
▽	71720	(000000-) Pump, Hyd Piston V 1.24 R 4000	1
▲	1 21925	(000000-) Shaft, Drive	1
▲	2 21926	(000000-) Backplate Assy	1
▲	3 21927	(000000-) Pump Housing Assy	1
▲	4 70096	(000000-) Washer	1
▲	5 02706	(000000-) Rotating Kit	1
▲	6 57897	(000000-) Camplate	1
▲	7 74225	(000000-) Bearing, Thrust	1
▲	8 74226	(000000-) Race, Bearing	2
▲	9 02709	(000000-) Bearing Cam	2
▲	10 70097	(000000-) Washer	2
▲	11 61891	(000000-) Screws	4
▲	12 74229	(000000-) Spring	2
▲	13 74230	(000000-) Plug S-A	2
▲	14 55941	(000000-) Relief Valve	2
▲	15 70103	(000000-) Seal Kit, Pump	1
▲	16 02705	(000000-) Race, Inner Bearing	1
▲	17 52386	(000000-) Cover	1
▲	18 70098	(000000-) Cover, Trunion	1
▲	19 70099	(000000-) Cover, O-Ring	1
▲	20 70100	(000000-) Pin, Dowel	2
▲	21 21928	(000000-) Screw, Cap	2
▲	22 21929	(000000-) Screw, Cap	2
▲	23 74237	(000000-) Key	1
▲	24 74180	(000000-) Plate, Valve	1
▲	25 74469	(000000-) Valve, Dump	1
▲	26 74248	(000000-) Repair Info, Pump	1

Fig. 2 - Hydraulic Pump Breakdown, 71716

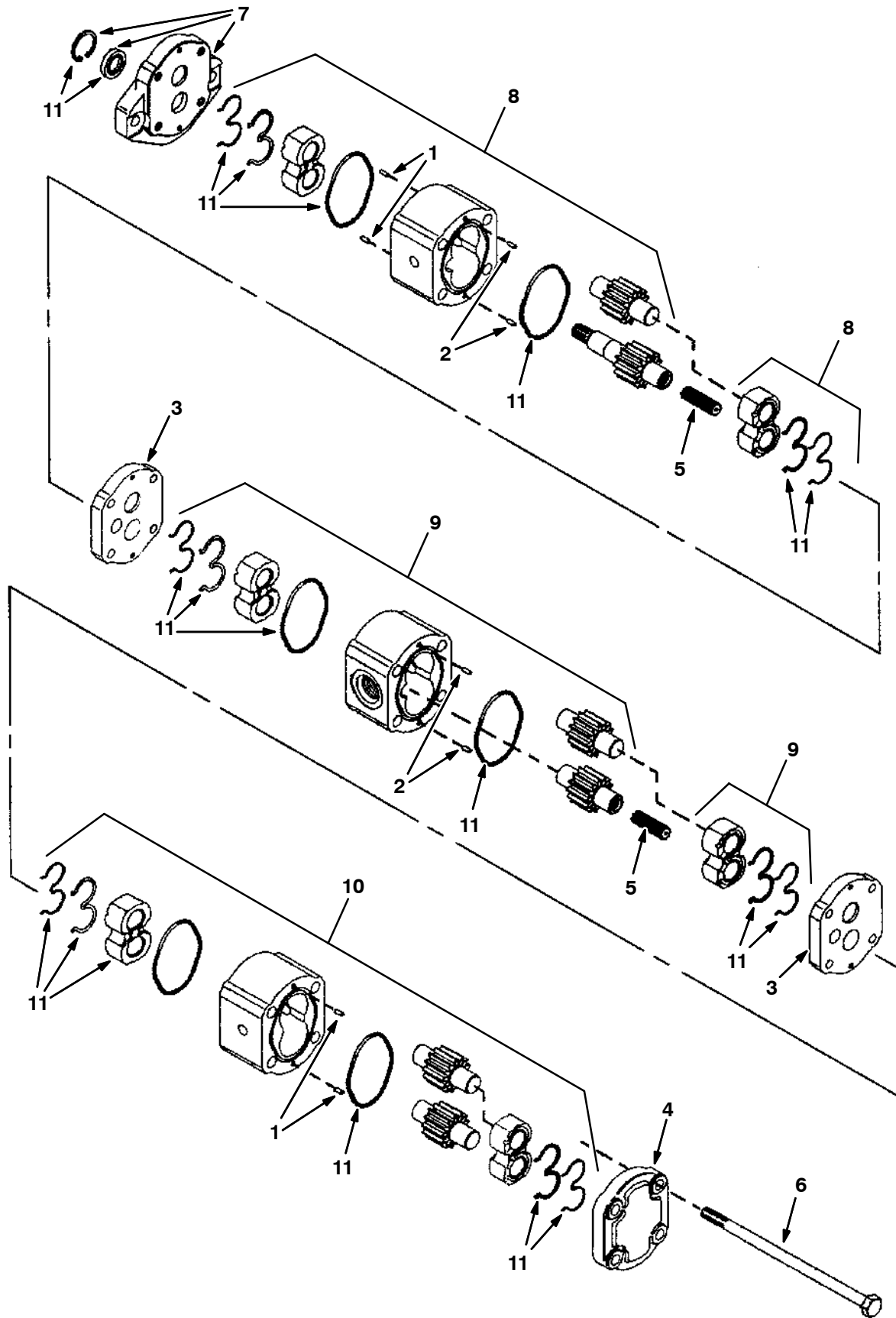


Fig. 2 - Hydraulic Pump Breakdown, 71716

	Ref.	Tennant Part No.	Manufacturer Serial Number	Description	Qty.
▽		71716	(000000-) Pump, Hyd	1
▲	1	21936	(000000-) Dowel Pin	4
▲	2	21937	(000000-) Dowel Pin	4
▲	3	21938	(000000-) Distance Plate	2
▲	4	21939	(000000-) End Cover	1
▲	5	21940	(000000-) Spline Coupling	2
▲	6	21941	(000000-) Bolt	4
▲	7	21942	(000000-) Flange Kit	1
▲	8	21943	(000000-) Pump Kit, Sec#1	1
▲	9	21944	(000000-) Pump Kit, Sec#2	1
▲	10	21945	(000000-) Pump Kit, Sec#3	1
▲	11	21946	(000000-) Seal Kit, Pump	1

Fig. 3 - Hydraulic Motor Breakdown, 71724

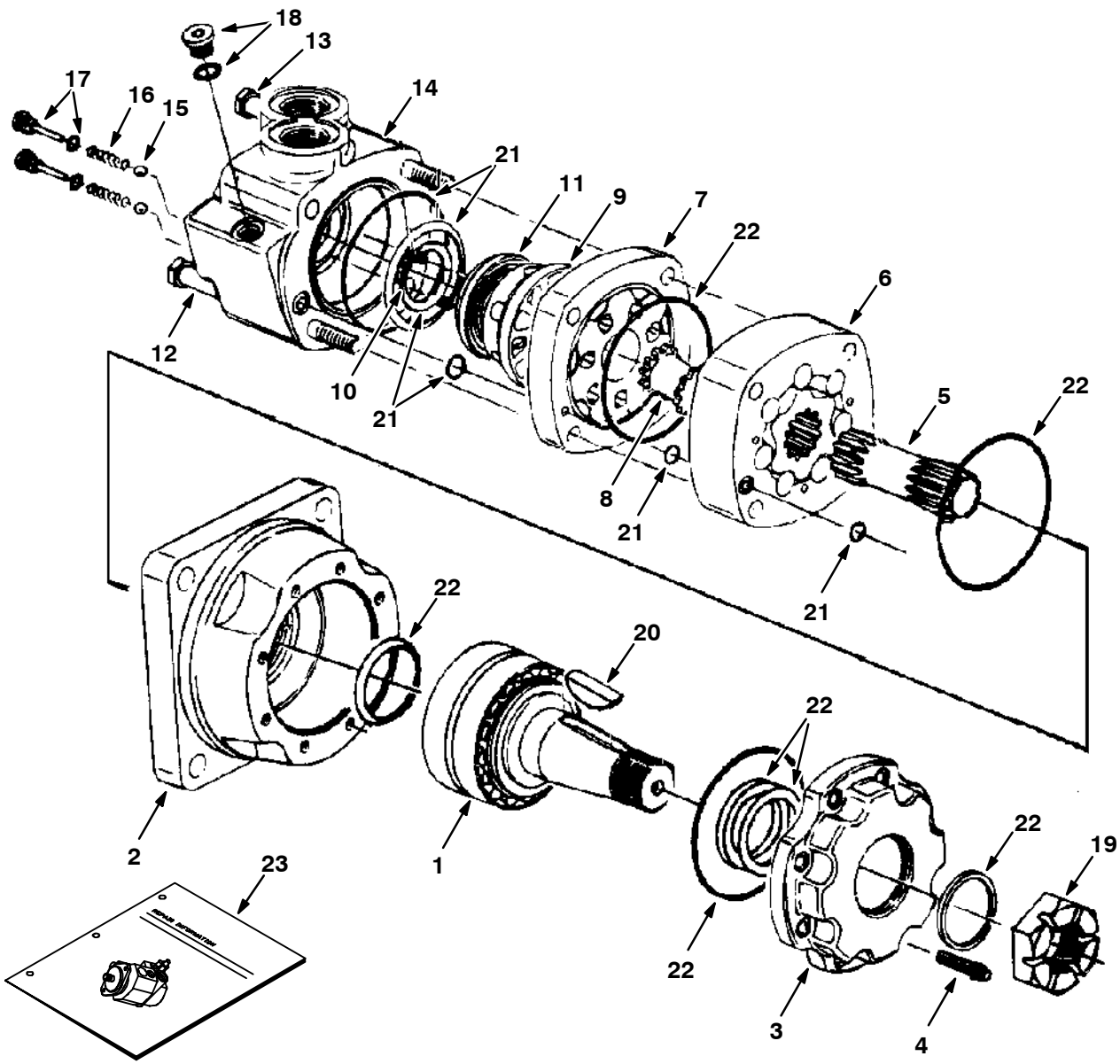


Fig. 3 - Hydraulic Motor Breakdown, 71724

	Ref.	Tennant Part No.	Manufacturer Serial Number	Description	Qty.
▽		71724	(000000-) Motor, Hyd Gear	1
▲	1	79826	(000000-) Shaft S-A	1
▲	2	74166	(000000-) Housing, Brg	1
▲	3	79827	(000000-) Retainer, Frt	1
▲	4	74168	(000000-) Screw, Cap	8
▲	5	37616	(000000-) Drive	1
▲	6	37756	(000000-) Geroler	1
▲	7	74122	(000000-) Plate, Valve	1
▲	8	52405	(000000-) Valve	1
▲	9	74123	(000000-) Valve	1
▲	10	34178	(000000-) Spring	2
▲	11	38968	(000000-) Ring	1
▲	12	74125	(000000-) Bolt	3
▲	13	38255	(000000-) Bolt	1
▲	14	74171	(000000-) Housing Assy,	1
▲	15	37766	(000000-) Ball	2
▲	16	34179	(000000-) Spring	2
▲	17	74137	(000000-) Plug Assembly	2
▲	18	74098	(000000-) Plug #4	1
▲	19	45622	(000000-) Nut	1
▲	20	45623	(000000-) Key	1
▲	21	33580	(000000-) Seal Kit, Rear	1
▲	22	79828	(000000-) Seal Kit, Shaft	1
▲	23	74249	(000000-) Instr. Repair Info, Motor	1

Fig. 4 - Hydraulic Motor Breakdown, 22604

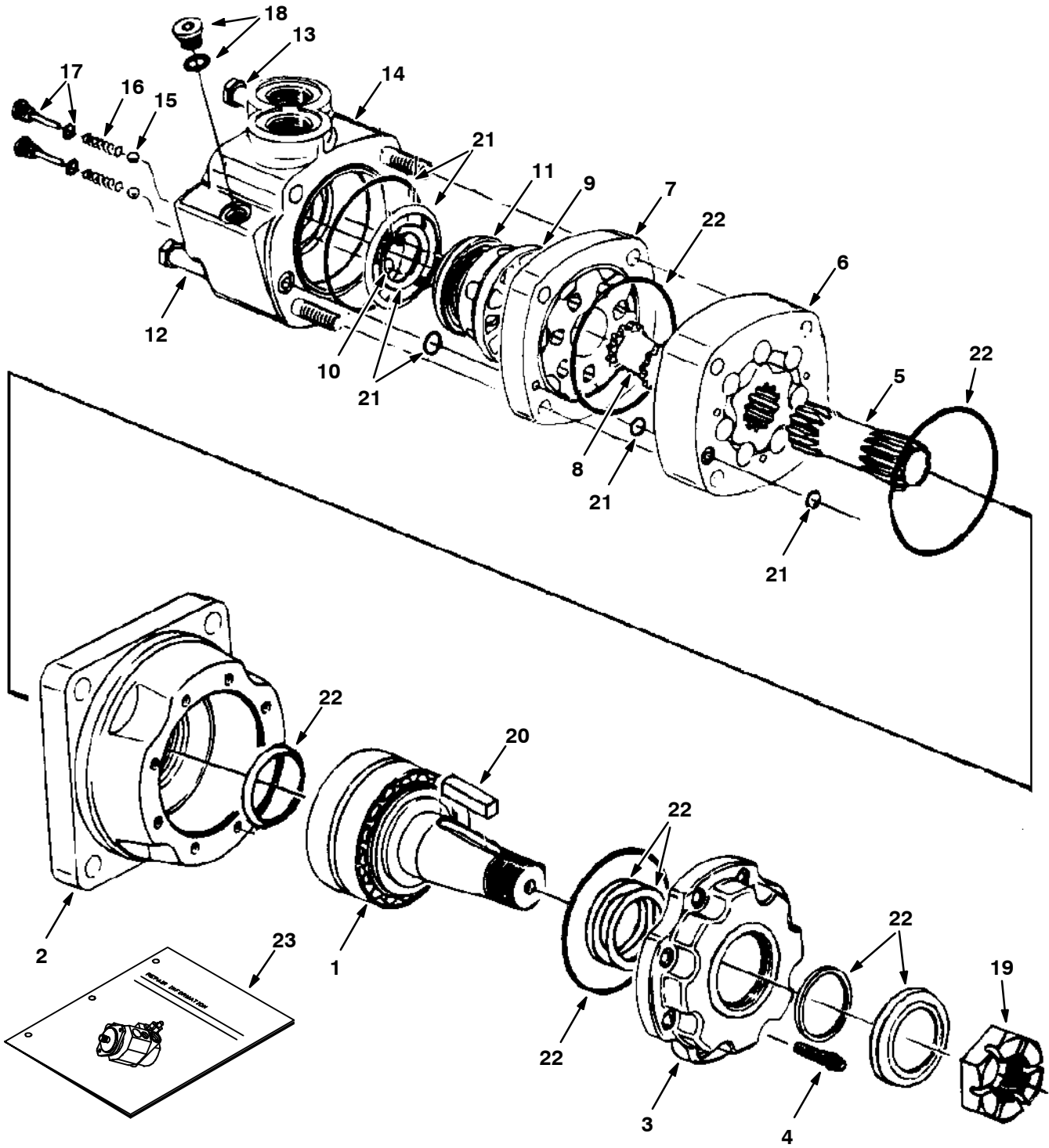
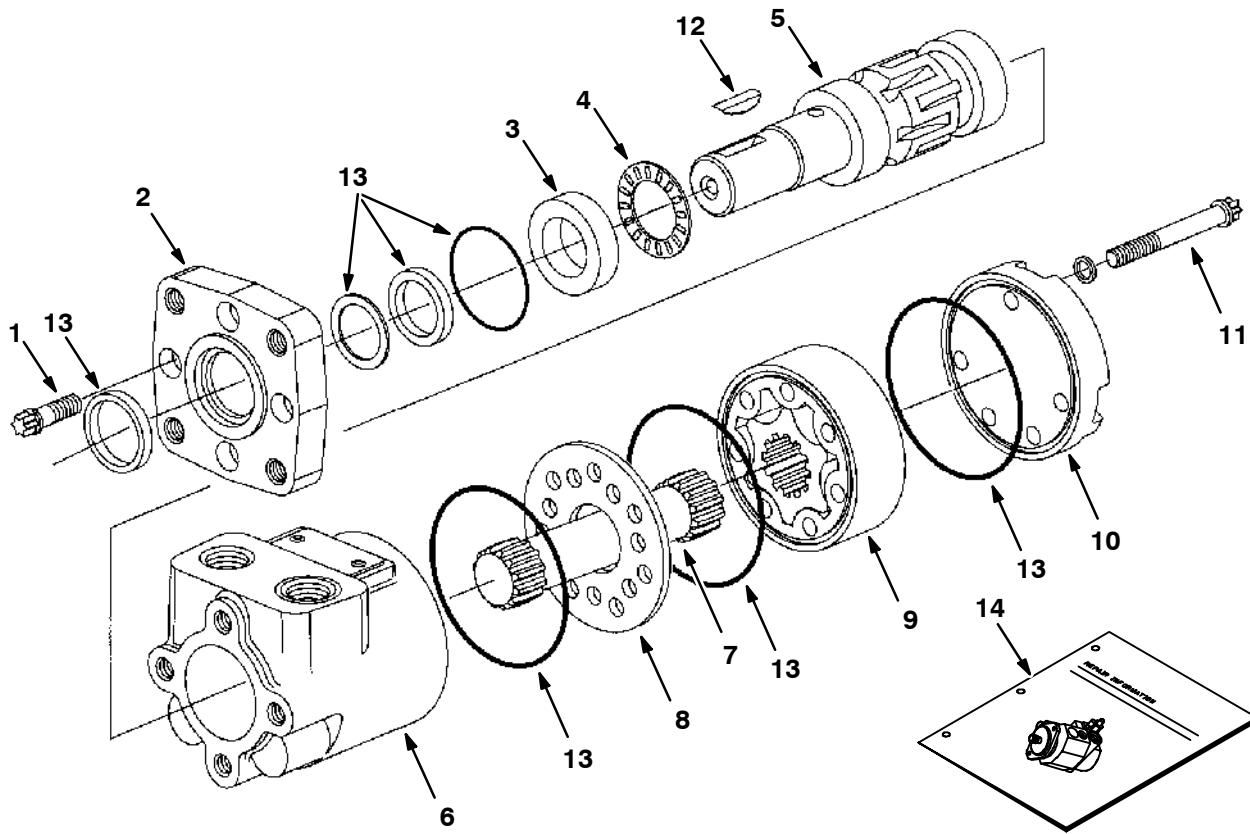


Fig. 4 - Hydraulic Motor Breakdown, 22604

	Ref.	Tennant Part No.	Manufacturer Serial Number	Description	Qty.
▽		22604	(000000-) Motor, Hyd Gear	1
▲	1	74165	(000000-) Shaft S-A	1
▲	2	74166	(000000-) Housing, Brg	1
▲	3	74167	(000000-) Retainer, Frt	1
▲	4	74168	(000000-) Screw, Cap	8
▲	5	37616	(000000-) Drive	1
▲	6	37756	(000000-) Geroler	1
▲	7	74122	(000000-) Plate, Valve	1
▲	8	52405	(000000-) Valve	1
▲	9	74123	(000000-) Valve	1
▲	10	34178	(000000-) Spring	2
▲	11	38968	(000000-) Ring	1
▲	12	74125	(000000-) Bolt	3
▲	13	38255	(000000-) Bolt	1
▲	14	74171	(000000-) Housing Assy,	1
▲	15	37766	(000000-) Ball	2
▲	16	34179	(000000-) Spring	2
▲	17	74137	(000000-) Plug Assembly	2
▲	18	74098	(000000-) Plug #4	1
▲	19	45622	(000000-) Nut	1
▲	20	45623	(000000-) Key	1
▲	21	33580	(000000-) Seal Kit, Rear	1
▲	22	79828	(000000-) Seal Kit, Shaft	1
▲	23	74249	(000000-) Instr. Repair Info, Motor	1

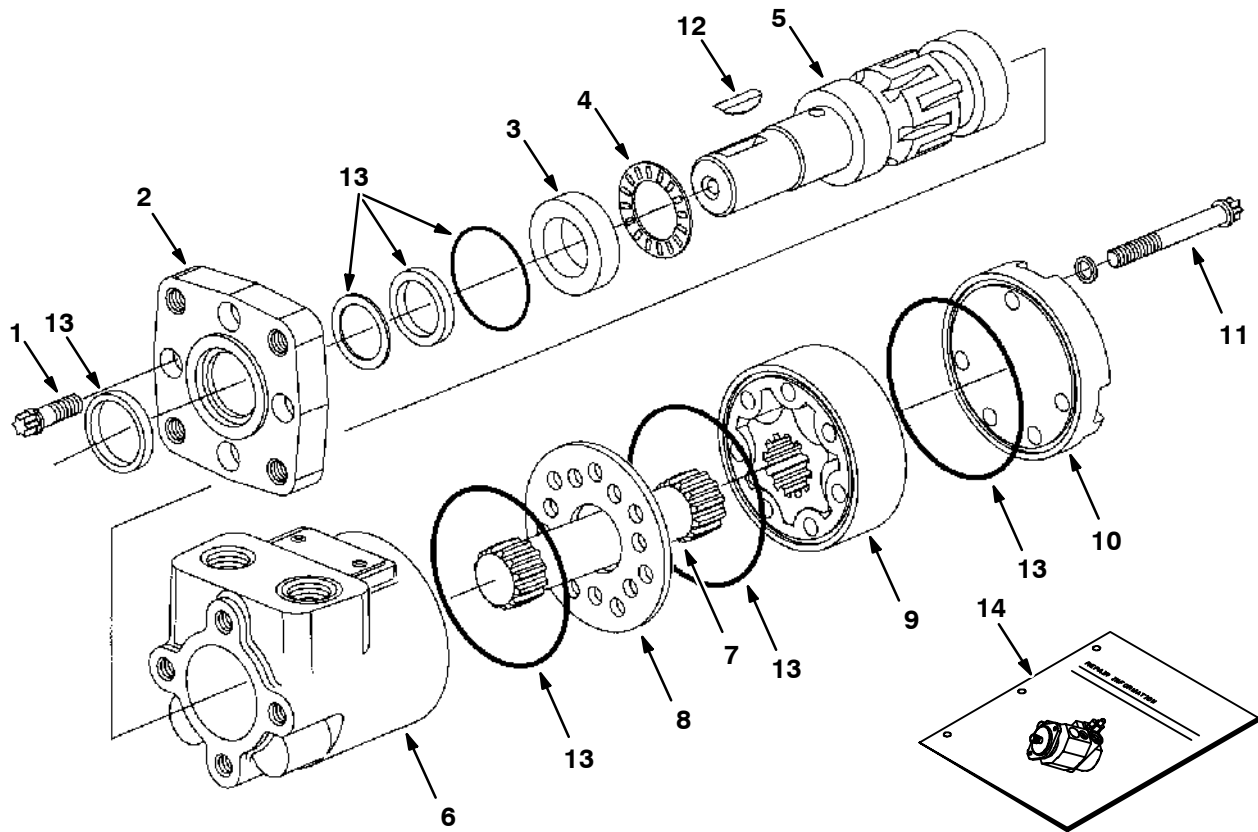
Fig. 5 - Hydraulic Motor Breakdown, 71722



10859-09670 - ALL

Ref.	Tennant Part No.	Manufacturer Serial Number	Description	Qty.	
▽	71722	(000000-) Motor, Hyd Gear In 04.5 R 1500	1	
▲	1	37555	(000000-) Screw	4
▲	2	31354	(000000-) Flange Mounting	1
▲	3	16695	(000000-) Race Thrust	1
▲	4	45628	(000000-) Thrust Bearing	1
▲	5	21924	(000000-) Shaft, Output	1
▲	6	74100	(000000-) Housing	1
▲	7	74175	(000000-) Drive	1
▲	8	74094	(000000-) Spacer Plate	1
▲	9	74177	(000000-) Gerotor Assy	1
▲	10	65230	(000000-) Cap, End	1
▲	11	74178	(000000-) Screw Cap	5
▲	12	00500-15	(000000-) Key-Wdruff 0.25 1.00	1
▲	13	61490	(000000-) Seal Replmt Kit	1
▲	14	74250	(000000-) Instr. Repair Info, Motor	1

Fig. 6 - Hydraulic Motor Breakdown, 369816



10859-09670 - ALL

Ref.	Tennant Part No.	Manufacturer Serial Number	Description	Qty.
▽	369816	(000000-) Motor, Hyd Gear In 04.5 R 1500	1
▲	1	37555	(000000-) Screw	4
▲	2	31354	(000000-) Flange Mounting	1
▲	3	16695	(000000-) Race Thrust	1
▲	4	45628	(000000-) Thrust Bearing	1
▲	5	21924	(000000-) Shaft, Output	1
▲	6	74100	(000000-) Housing	1
▲	7	74175	(000000-) Drive	1
▲	8	74094	(000000-) Spacer Plate	1
▲	9	74177	(000000-) Gerotor Assy	1
▲	10	65230	(000000-) Cap, End	1
▲	11	74178	(000000-) Screw Cap	5
▲	12	00500-15	(000000-) Key-Wdruff 0.25 1.00	1
▲	13	22654	(000000-) Seal Replmt Kit	1
▲	14	74250	(000000-) Instr. Repair Info, Motor	1

Fig. 7 - Hydraulic Motor Breakdown, 71729

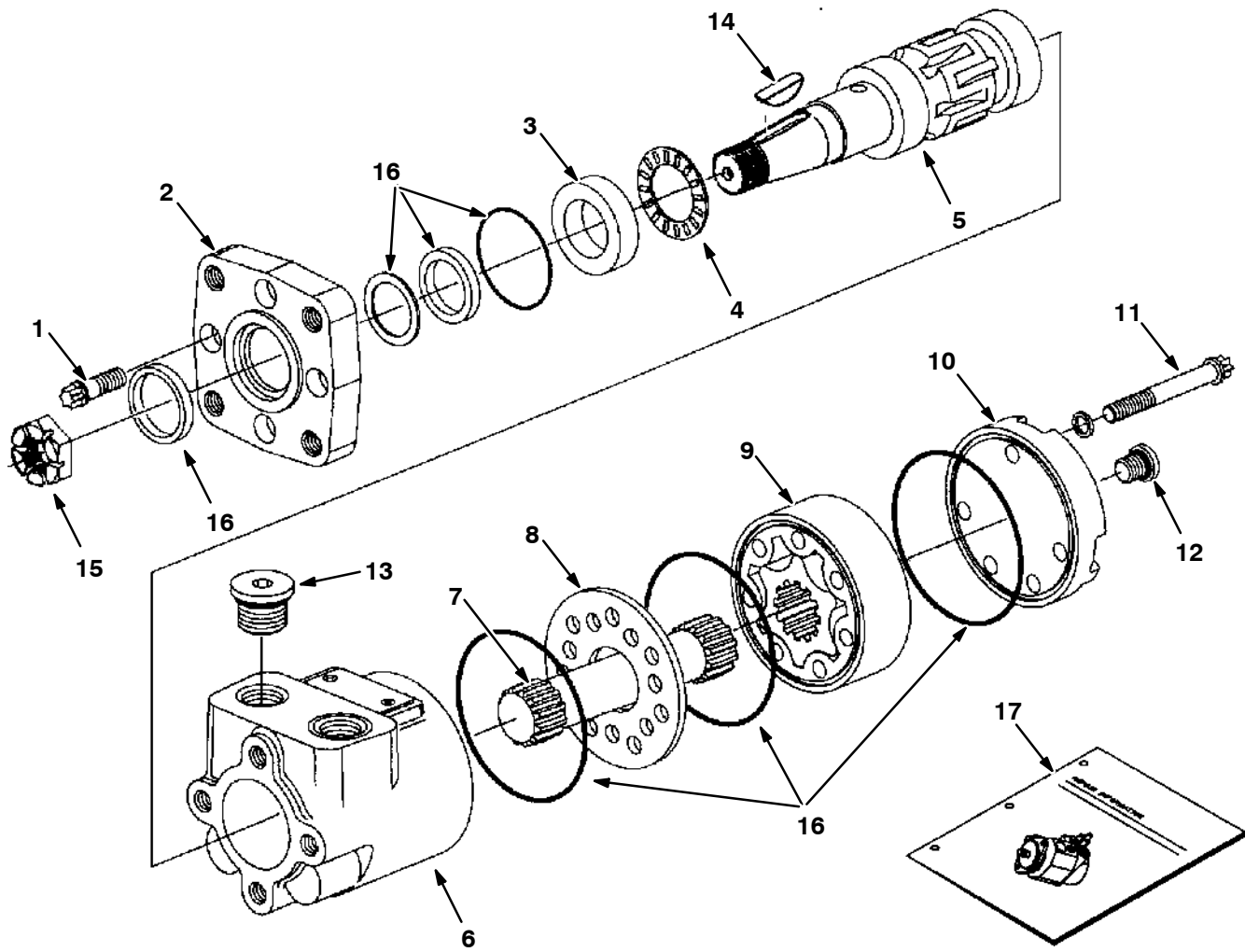


Fig. 7 - Hydraulic Motor Breakdown, 71729

	Ref.	Tenant Part No.	Manufacturer Serial Number	Description	Qty.
▽		71729	(000000-) Motor, Hyd Gear In 4.5 B 1500	1
▲	1	37555	(000000-) Screw	4
▲	2	31354	(000000-) Flange Mounting	1
▲	3	16695	(000000-) Race Thrust	1
▲	4	45628	(000000-) Thrust Bearing	1
▲	5	31375	(000000-) Shaft, Output	1
▲	6	74100	(000000-) Housingl	1
▲	7	31379	(000000-) Drive	1
▲	8	74094	(000000-) Spacer Plate	1
▲	9	31383	(000000-) Gerotor Set	1
▲	10	74095	(000000-) End Cap	1
▲	11	65241	(000000-) Cap Screw	5
▲	12	74098	(000000-) Plug #4	1
▲	13	74099	(000000-) Plug #10	2
▲	14	00500-15	(000000-) Key-Wdruff 0.25 1.00	1
▲	15	39527	(000000-) Nut-Hxslot .75-16 Pltd	1
▲	16	61490	(000000-) Seal Replmt Kit	1
▲	17	74250	(000000-) Instr. Repair Info, Motor	1

Fig. 8 - Hydraulic Steering Valve Breakdown, 71713

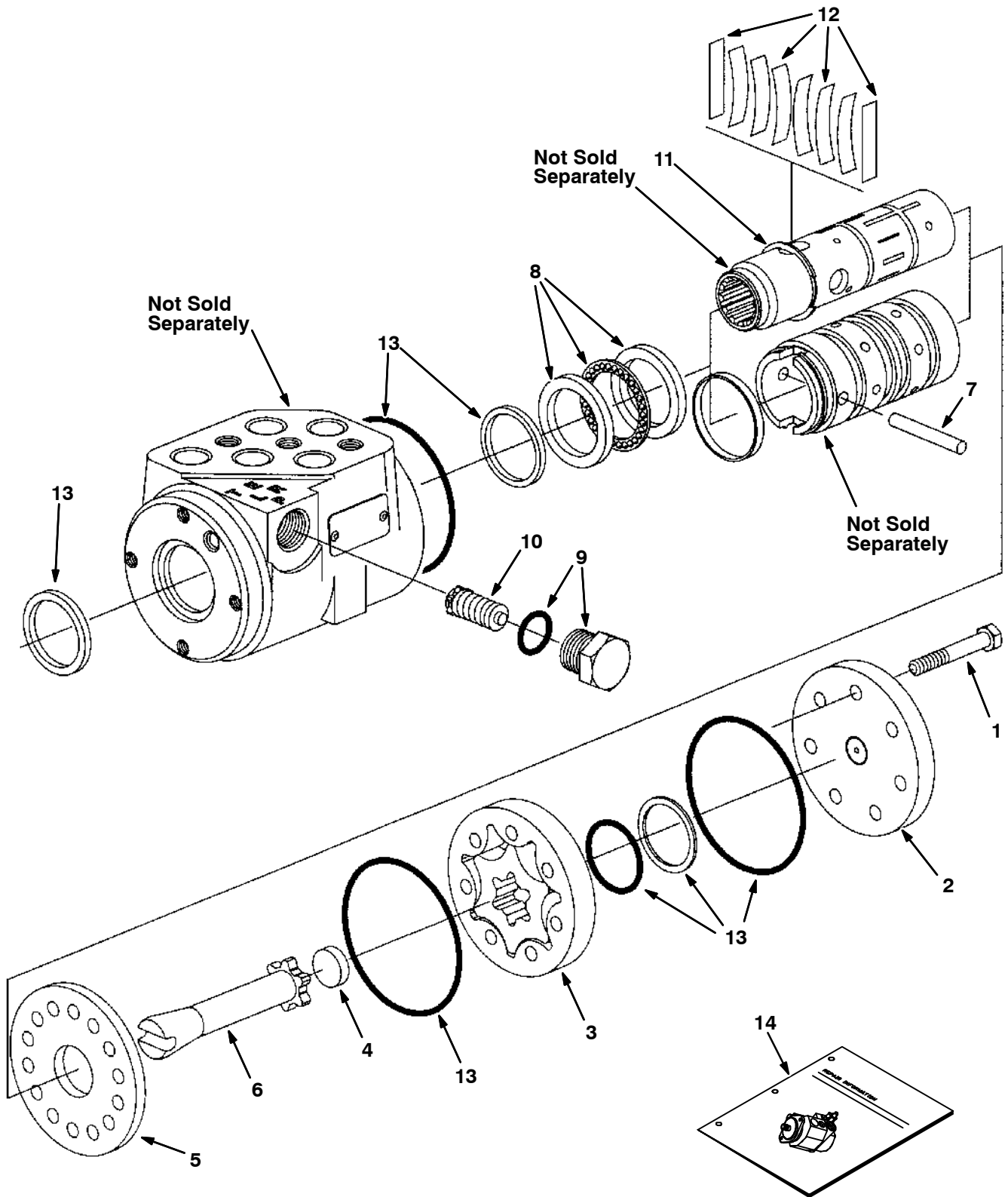
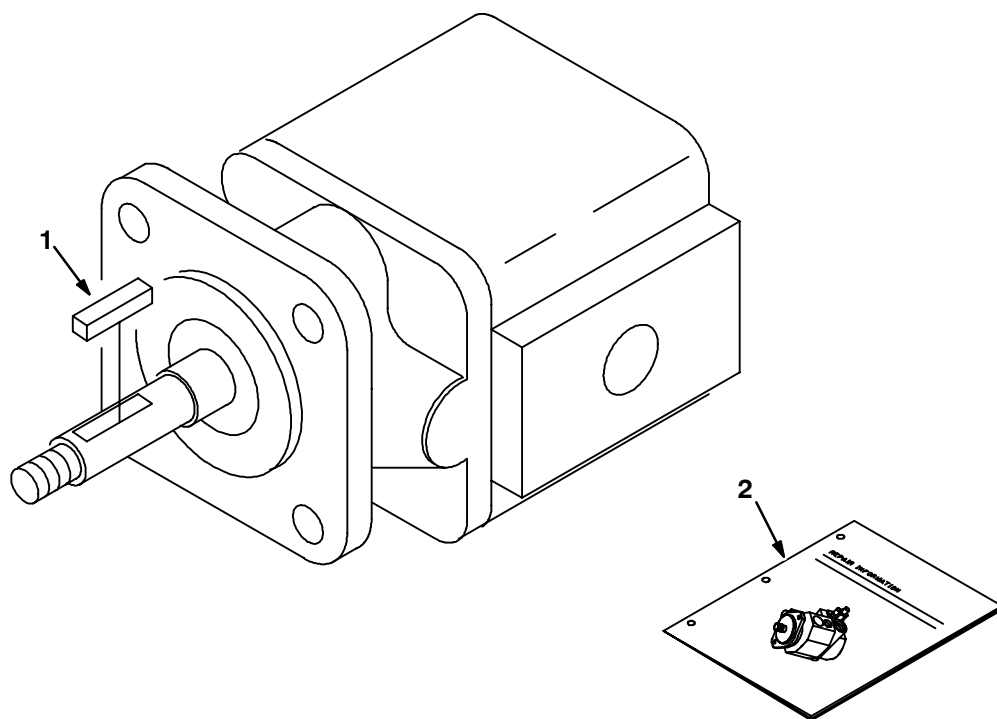


Fig. 8 - Hydraulic Steering Valve Breakdown, 71713

	Ref.	Tennant Part No.	Manufacturer Serial Number	Description	Qty.
▽		71713	(000000-) Steer Control, Hyd#2 06.1 1160	1
▲	1	74183	(000000-) Screw, Cap	7
▲	2	74185	(000000-) Cap, End	1
▲	3	74192	(000000-) Gerotor	1
▲	4	74193	(000000-) Spacer	1
▲	5	74222	(000000-) Plate, Wear	1
▲	6	74231	(000000-) Drive	1
▲	7	74232	(000000-) Pin	1
▲	8	21935	(000000-) Bearing Kit	1
▲	9	21933	(000000-) Plug Assembly	1
▲	10	21934	(000000-) Relief Vlv Assy	1
▲	11	74243	(000000-) Ring, Retaining	1
▲	12	74196	(000000-) Spring Kit	1
▲	13	74244	(000000-) Seal Kit, Stg	1
▲	14	74245	(000000-) Instr.Repair Info	1

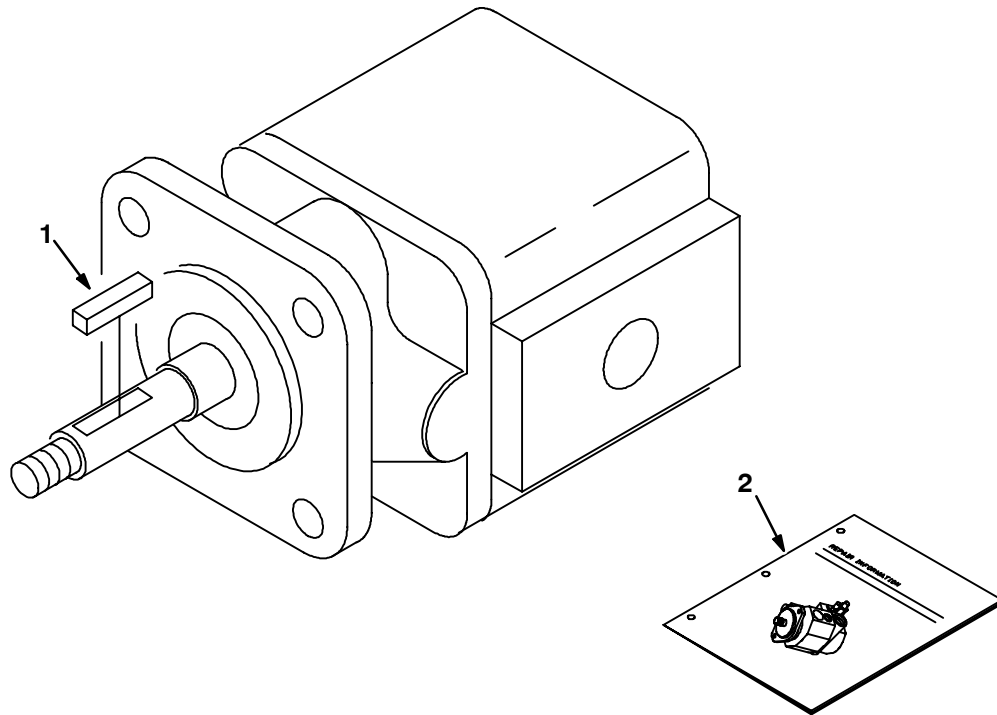
Fig. 9 - Hydraulic Motor Breakdown, 73112



09664-09670 - ALL

Ref.	Tennant Part No.	Manufacturer Serial Number	Description	Qty.
▽	73112	(000000-) Motor, Hyd Gear Ex 0.13 L 3000	1
▲	1 00954	(000000-) Key Square 0.12 0.12 01.00 Lg	1
▲	74233	(000000-) Seal Kit, Hyd Mtr Gear Bn	1
▲	2 IB3614	(000000-) Repair Info.	1

Fig. 10 - Hydraulic Motor Breakdown, 71719



09664-09670 - ALL

	Ref.	Tennant Part No.	Manufacturer Serial Number	Description	Qty.
▽		71719	(000000-) Motor, Hyd Gear	1
▲	1	00960	(000000-) Key Square 0.12 0.12 00.50 Lg	1
▲		74233	(000000-) Seal Kit, Hyd Motor Gear	1
▲	2	IB3614	(000000-) Instr. Motor Seal Kit F-74147	1

Fig. 11 - Hydraulic Solenoid Valve Breakdown, 71705

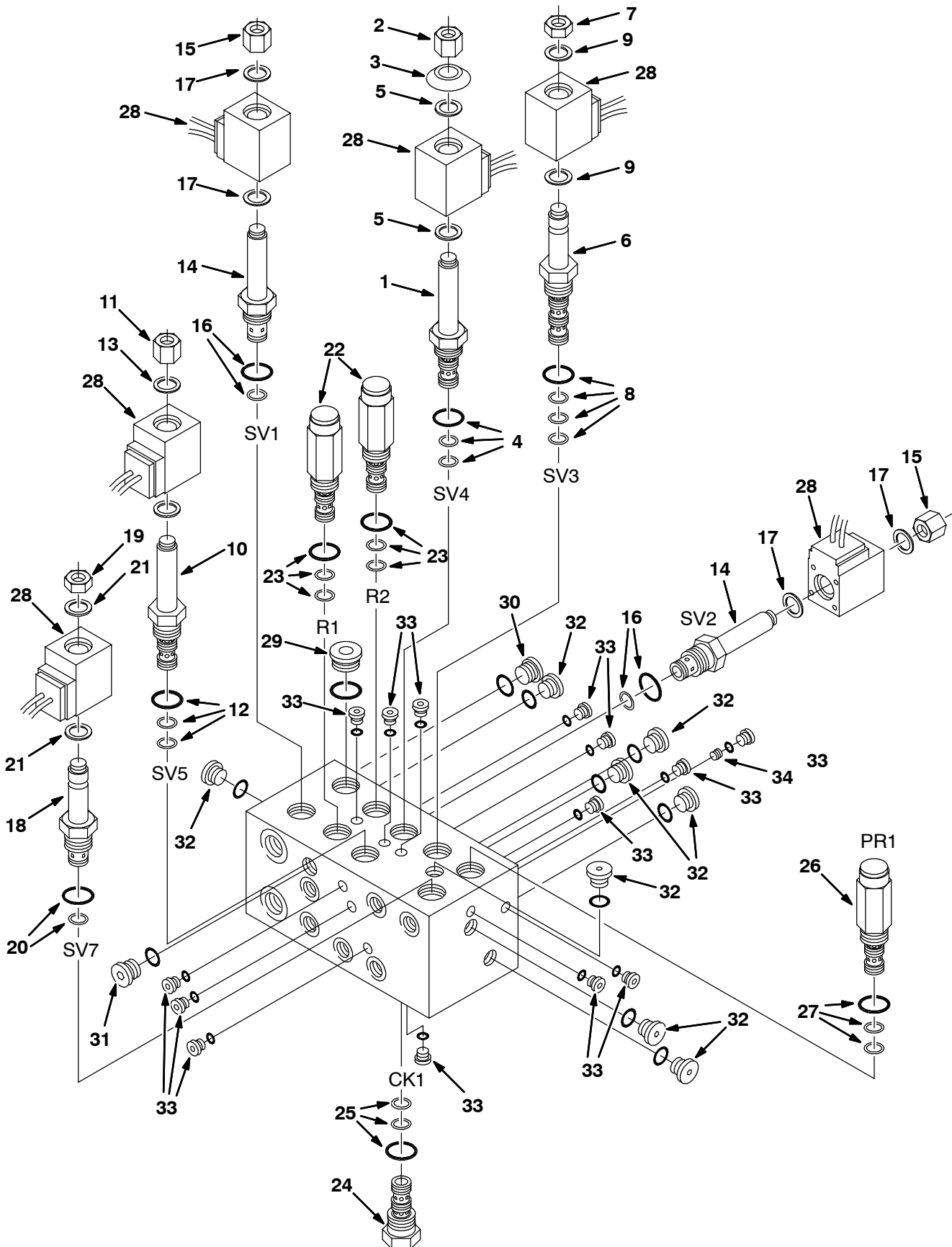


Fig. 11 - Hydraulic Solenoid Valve Breakdown, 71705

Ref.	Tennant Part No.	Manufacturer Serial Number	Description	Qty.
▽	71705	(000000-) Valve, Hyd Cntrl Sol	1
▲▽	1 25858	(000000-) Cartridge Repl Kit Std Brush	1
▲▲	2 79731	(000000-) Nut, Cart., Lng	1
▲▲	3 21923	(000000-) Spacer, Coil	1
▲▲	4 79711	(000000-) Seal Kit, Cart	1
▲▲	5 79740	(000000-) Seal Kit, Coil	1
▲▽	6 79719	(000000-) Valve Stem 4W2P	1
▲▲	7 79728	(000000-) Nut, Cart	1
▲▲	8 79711	(000000-) Seal Kit, Cart	1
▲▲	9 79740	(000000-) Seal Kit, Coil	1
▲▽	10 21906	(000000-) Valve Stem 3W2P	1
▲▲	11 79731	(000000-) Nut, Cart., Lng	1
▲▲	12 79711	(000000-) Seal Kit, Cart	1
▲▲	13 79740	(000000-) Seal Kit, Coil	1
▲▽	14 79739	(000000-) Stem, Valve	2
▲▲	15 79731	(000000-) Nut, Cart., Lng	1
▲▲	16 79711	(000000-) Seal Kit, Cart	1
▲▲	17 79740	(000000-) Seal Kit, Coil	1
▲▽	18 21907	(000000-) Valve Stem N.C.	1
▲▲	19 79728	(000000-) Nut, Cart	1
▲▲	20 79711	(000000-) Seal Kit, Cart	1
▲▲	21 79740	(000000-) Seal Kit, Coil	1
▲▽	22 65240	(000000-) Valve, Relief	2
▲▲	23 79711	(000000-) Seal Kit, Cart	1
▲▽	24 21919	(000000-) Cart,Pilot Chk	1
▲▲	25 79711	(000000-) Seal Kit, Cart	1
▲▽	26 21904	(000000-) Cart, Psi	1
▲▲	27 79711	(000000-) Seal Kit, Cart	1
▲	28 21916	(000000-) Coil, 12V	6
▲	29 74099	(000000-) Plug #10	1
▲	30 13907	(000000-) Plug #8	1
▲	31 13904	(000000-) Plug Gage #6	1
▲	32 74098	(000000-) Plug #4	7
▲	33 13902	(000000-) Plug #2	14
▲	34 21920	(000000-) .040 Plug, Orifice	1

Note: Scrub Brushes Must Be Matched With Proper Hydraulic Cartridge.

Fig. 12 - Hydraulic Solenoid Valve Breakdown, Side Brush 71760

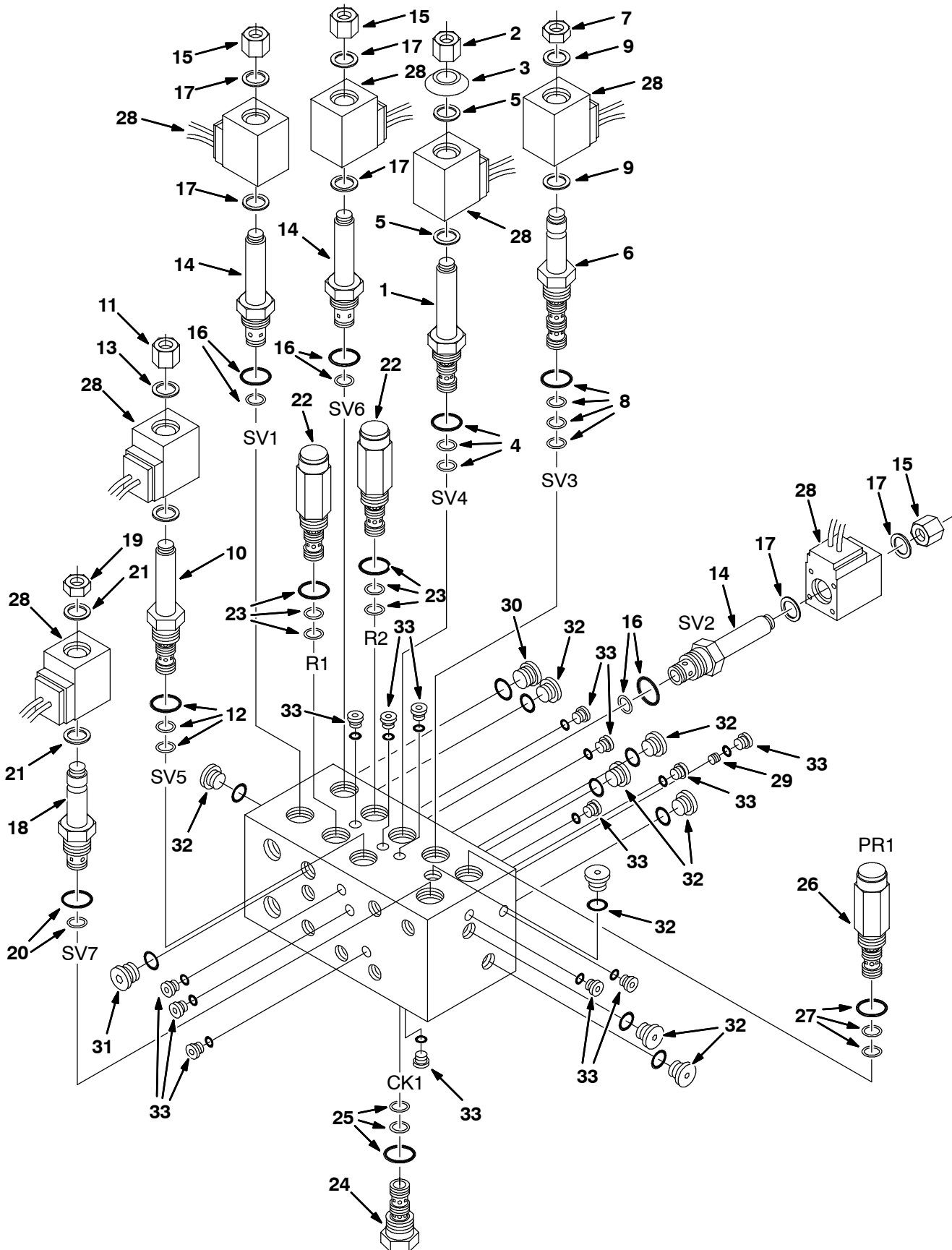


Fig. 12 - Hydraulic Solenoid Valve Breakdown, Side Brush 71760

Ref.	Tennant Part No.	Manufacturer Serial Number	Description	Qty.
▽	71760	(000000-) Valve Assy, Side Brush	1
▲▽	1 25858	(000000-) Cartridge Repl Kit Std Brush	1
▲▲	2 79731	(000000-) Nut, Cart., Lng	1
▲▲	3 21923	(000000-) Spacer, Coil	1
▲▲	4 79711	(000000-) Seal Kit, Cart	1
▲▲	5 79740	(000000-) Seal Kit, Coil	1
▲▽	6 79719	(000000-) Valve Stem 4W2P	1
▲▲	7 79728	(000000-) Nut, Cart	1
▲▲	8 79711	(000000-) Seal Kit, Cart	1
▲▲	9 79740	(000000-) Seal Kit, Coil	1
▲▽	10 21906	(000000-) Valve Stem 3W2P	1
▲▲	11 79731	(000000-) Nut, Cart., Lng	1
▲▲	12 79711	(000000-) Seal Kit, Cart	1
▲▲	13 79740	(000000-) Seal Kit, Coil	1
▲▽	14 79739	(000000-) Stem, Valve	3
▲▲	15 79731	(000000-) Nut, Cart., Lng	1
▲▲	16 79711	(000000-) Seal Kit, Cart	1
▲▲	17 79740	(000000-) Seal Kit, Coil	1
▲▽	18 21907	(000000-) Valve Stem N.C.	1
▲▲	19 79728	(000000-) Nut, Cart	1
▲▲	20 79711	(000000-) Seal Kit, Cart	1
▲▲	21 79740	(000000-) Seal Kit, Coil	1
▲▽	22 65240	(000000-) Valve, Relief	2
▲▲	23 79711	(000000-) Seal Kit, Cart	1
▲▽	24 21919	(000000-) Cart,Pilot Chk	1
▲▲	25 79711	(000000-) Seal Kit, Cart	1
▲▽	26 21904	(000000-) Cart, Psi	1
▲▲	27 79711	(000000-) Seal Kit, Cart	1
▲	28 21916	(000000-) Coil, 12V	7
▲	29 21920	(000000-) .040 Plug, Orifice	1
▲	30 13907	(000000-) Plug #8	1
▲	31 13904	(000000-) Plug Gage #6	1
▲	32 74098	(000000-) Plug #4	7
▲	33 13902	(000000-) Plug #2	14

Note: Scrub Brushes Must Be Matched With Proper Hydraulic Cartridge.

Fig. 13 - Hydraulic Solenoid Valve Breakdown, Nylon Brush, 71761

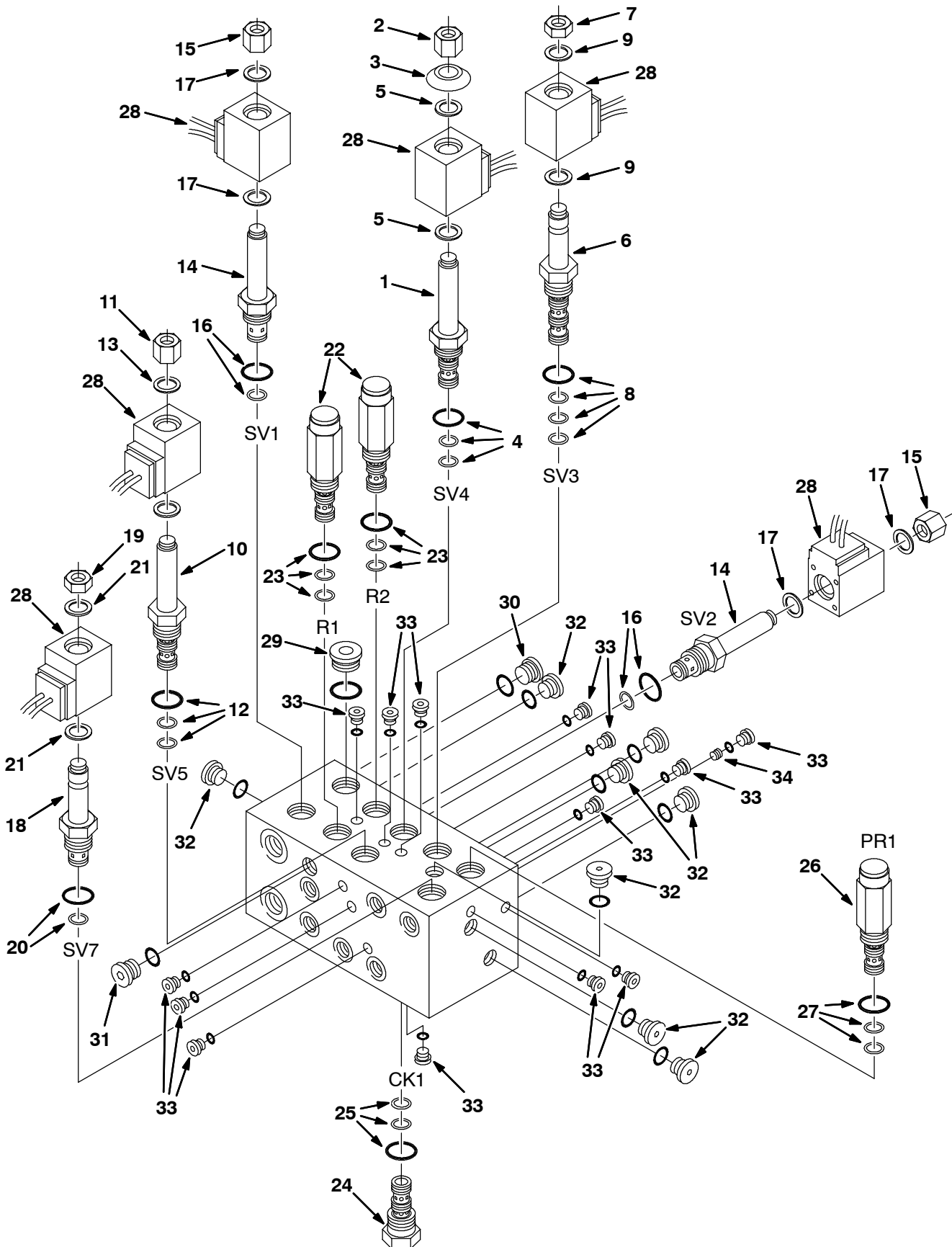


Fig. 13 - Hydraulic Solenoid Valve Breakdown, Nylon Brush, 71761

Ref.	Tennant Part No.	Manufacturer Serial Number	Description	Qty.
▽	71761	(000000-) Valve Assy, Nylon Brush	1
▲▽	1 25812	(000000-) Cartridge Repl Kit, Nylon Brush	1
▲▲	2 79731	(000000-) Nut, Cart., Lng	1
▲▲	3 21923	(000000-) Spacer, Coil	1
▲▲	4 79711	(000000-) Seal Kit, Cart	1
▲▲	5 79740	(000000-) Seal Kit, Coil	1
▲▽	6 79719	(000000-) Valve Stem 4W2P	1
▲▲	7 79728	(000000-) Nut, Cart	1
▲▲	8 79711	(000000-) Seal Kit, Cart	1
▲▲	9 79740	(000000-) Seal Kit, Coil	1
▲▽	10 21906	(000000-) Valve Stem 3W2P	1
▲▲	11 79731	(000000-) Nut, Cart., Lng	1
▲▲	12 79711	(000000-) Seal Kit, Cart	1
▲▲	13 79740	(000000-) Seal Kit, Coil	1
▲▽	14 79739	(000000-) Stem, Valve	2
▲▲	15 79731	(000000-) Nut, Cart., Lng	1
▲▲	16 79711	(000000-) Seal Kit, Cart	1
▲▲	17 79740	(000000-) Seal Kit, Coil	1
▲▽	18 21907	(000000-) Valve Stem N.C.	1
▲▲	19 79728	(000000-) Nut, Cart	1
▲▲	20 79711	(000000-) Seal Kit, Cart	1
▲▲	21 79740	(000000-) Seal Kit, Coil	1
▲▽	22 65240	(000000-) Valve, Relief	2
▲▲	23 79711	(000000-) Seal Kit, Cart	1
▲▽	24 21919	(000000-) Cart,Pilot Chk	1
▲▲	25 79711	(000000-) Seal Kit, Cart	1
▲▽	26 21904	(000000-) Cart, Psi	1
▲▲	27 79711	(000000-) Seal Kit, Cart	1
▲	28 21916	(000000-) Coil, 12V	6
▲	29 74099	(000000-) Plug #10	1
▲	30 13907	(000000-) Plug #8	1
▲	31 13904	(000000-) Plug Gage #6	1
▲	32 74098	(000000-) Plug #4	7
▲	33 13902	(000000-) Plug #2	14
▲	34 21920	(000000-) .040 Plug, Orifice	1

Note: Scrub Brushes Must Be Matched With Proper Hydraulic Cartridge.

Fig. 14 - Hydraulic Solenoid Valve Breakdown, Side Brush and Nylon Brush, 71762

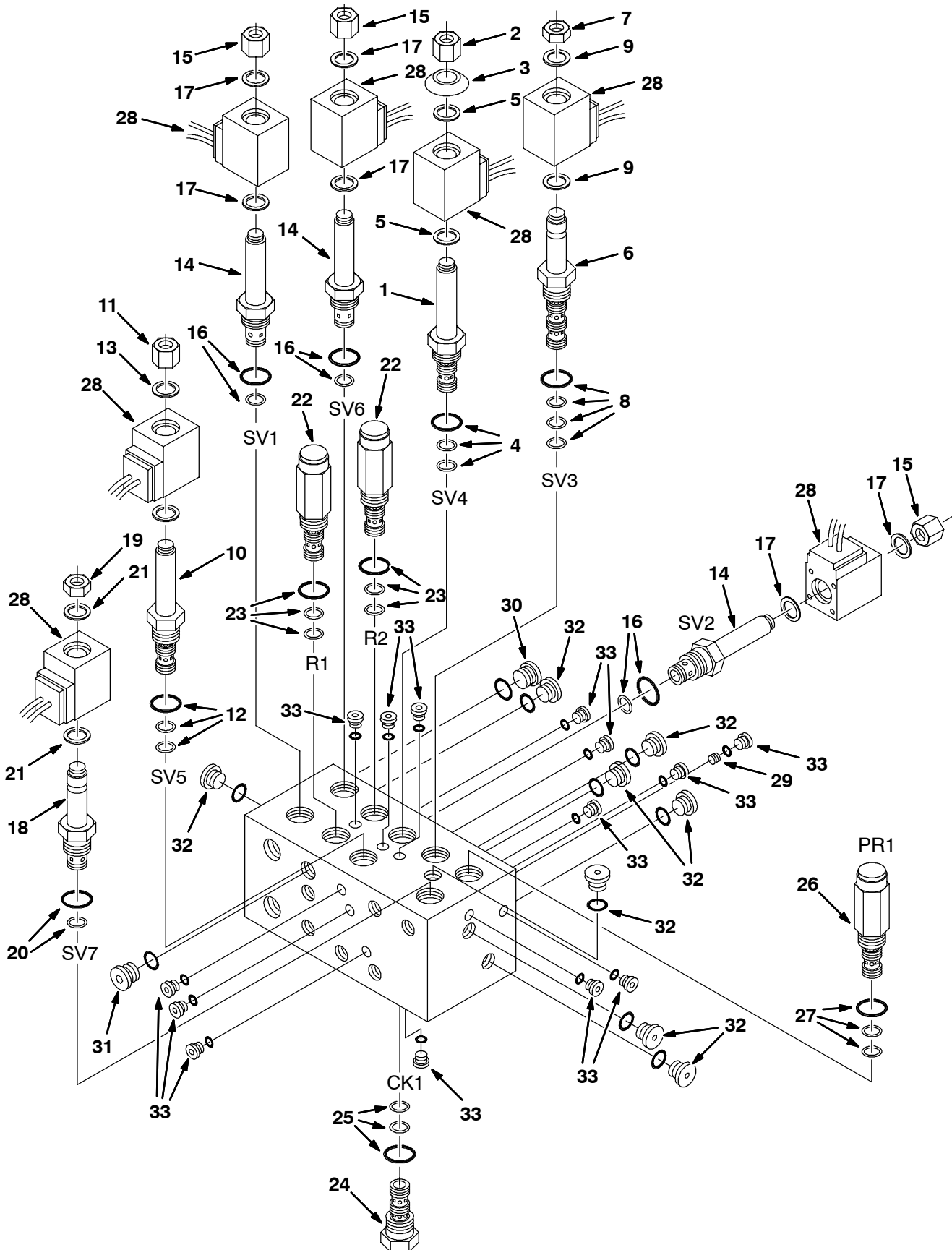


Fig. 14 - Hydraulic Solenoid Valve Breakdown, Side Brush and Nylon Brush, 71762

Ref.	Tennant Part No.	Manufacturer Serial Number	Description	Qty.
▽	71762	(000000-) Valve Assy, Side Br, Nylon Br	1
▲▽	1 25812	(000000-) Cartridge Repl Kit, Nylon Brush	1
▲▲	2 79731	(000000-) Nut, Cart., Lng	1
▲▲	3 21923	(000000-) Spacer, Coil	1
▲▲	4 79711	(000000-) Seal Kit, Cart	1
▲▲	5 79740	(000000-) Seal Kit, Coil	1
▲▽	6 79719	(000000-) Valve Stem 4W2P	1
▲▲	7 79728	(000000-) Nut, Cart	1
▲▲	8 79711	(000000-) Seal Kit, Cart	1
▲▲	9 79740	(000000-) Seal Kit, Coil	1
▲▽	10 21906	(000000-) Valve Stem 3W2P	1
▲▲	11 79731	(000000-) Nut, Cart., Lng	1
▲▲	12 79711	(000000-) Seal Kit, Cart	1
▲▲	13 79740	(000000-) Seal Kit, Coil	1
▲▽	14 79739	(000000-) Stem, Valve	3
▲▲	15 79731	(000000-) Nut, Cart., Lng	1
▲▲	16 79711	(000000-) Seal Kit, Cart	1
▲▲	17 79740	(000000-) Seal Kit, Coil	1
▲▽	18 21907	(000000-) Valve Stem N.C.	1
▲▲	19 79728	(000000-) Nut, Cart	1
▲▲	20 79711	(000000-) Seal Kit, Cart	1
▲▲	21 79740	(000000-) Seal Kit, Coil	1
▲▽	22 65240	(000000-) Valve, Relief	2
▲▲	23 79711	(000000-) Seal Kit, Cart	1
▲▽	24 21919	(000000-) Cart,Pilot Chk	1
▲▲	25 79711	(000000-) Seal Kit, Cart	1
▲▽	26 21904	(000000-) Cart, Psi	1
▲▲	27 79711	(000000-) Seal Kit, Cart	1
▲	28 21916	(000000-) Coil, 12V	7
▲	29 21920	(000000-) .040 Plug, Orifice	1
▲	30 13907	(000000-) Plug #8	1
▲	31 13904	(000000-) Plug Gage #6	1
▲	32 74098	(000000-) Plug #4	7
▲	33 13902	(000000-) Plug #2	14

Note: Scrub Brushes Must Be Matched With Proper Hydraulic Cartridge.

Fig. 15 - Hydraulic Solenoid Valve Breakdown, 71708

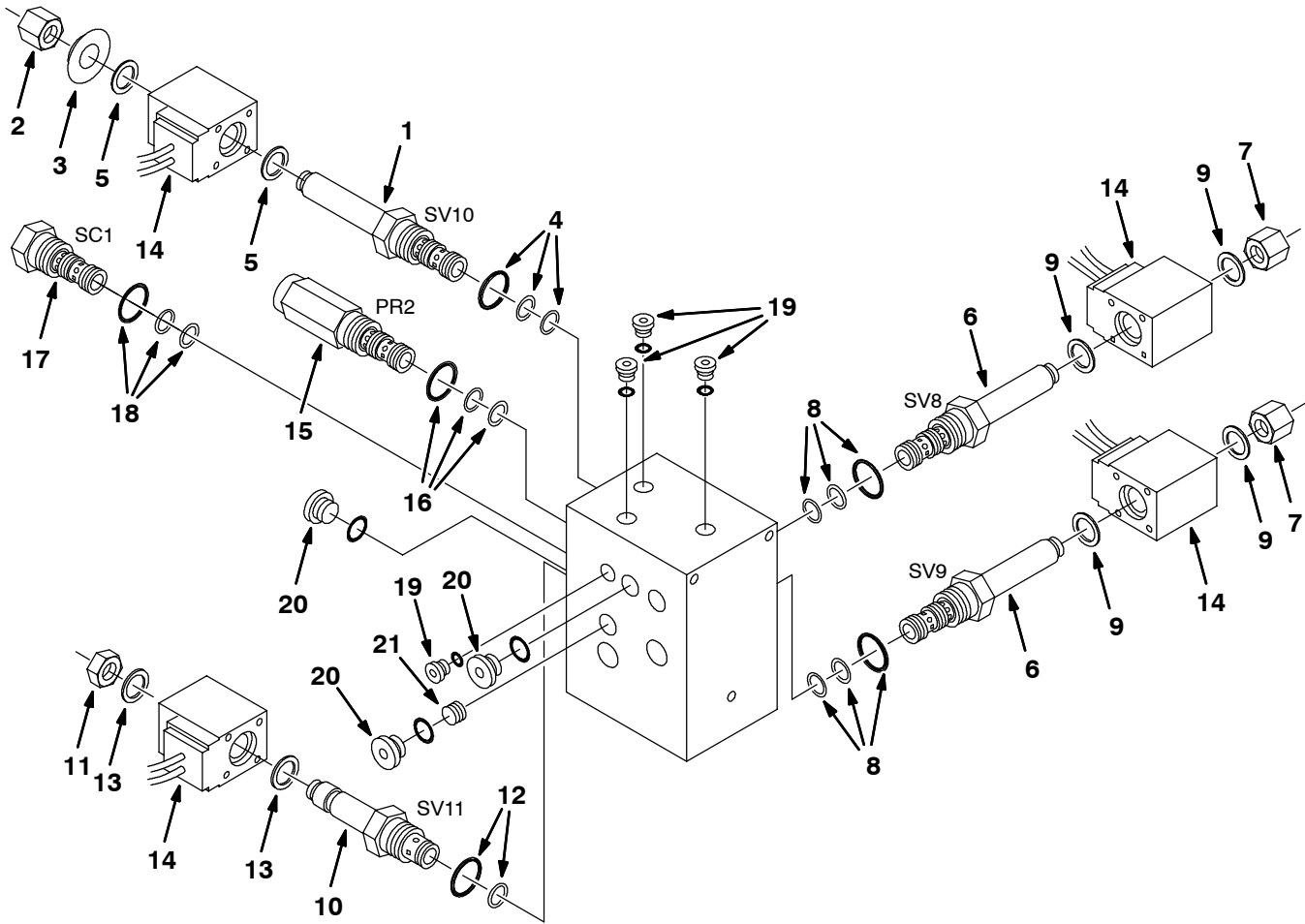


Fig. 15 - Hydraulic Solenoid Valve Breakdown, 71708

	Ref.	Tennant Part No.	Manufacturer Serial Number	Description	Qty.
▽		71708	(000000-) Valve, Hyd Cntrl Sol	1
▲▽	1	21931	(000000-) Cart, Psi Control	1
▲▲	2	79731	(000000-) Nut, Cart., Lng	1
▲▲	3	21923	(000000-) Spacer, Coil	1
▲▲	4	79711	(000000-) Seal Kit, Cart	1
▲▲	5	79740	(000000-) Seal Kit, Coil	1
▲▽	6	21906	(000000-) Valve Stem 3W2P	2
▲▲	7	79731	(000000-) Nut, Cart., Lng	1
▲▲	8	79711	(000000-) Seal Kit, Cart	1
▲▲	9	79740	(000000-) Seal Kit, Coil	1
▲▽	10	21907	(000000-) Valve Stem N.C.	1
▲▲	11	79728	(000000-) Nut, Cart	1
▲▲	12	79711	(000000-) Seal Kit, Cart	1
▲▲	13	79740	(000000-) Seal Kit, Coil	1
▲	14	21916	(000000-) Coil, 12V	4
▲▽	15	21904	(000000-) Cart, Psi	1
▲▲	16	79711	(000000-) Seal Kit, Cart	1
▲▽	17	21921	(000000-) Cart, Shuttle Chk	1
▲▲	18	79711	(000000-) Seal Kit, Cart	1
▲	19	13902	(000000-) Plug #2	4
▲	20	74098	(000000-) Plug #4	3
▲	21	21922	(000000-) .047 Plug, Orifice	1

Fig. 16 - Extended Scrub Pump Breakdown, 20914

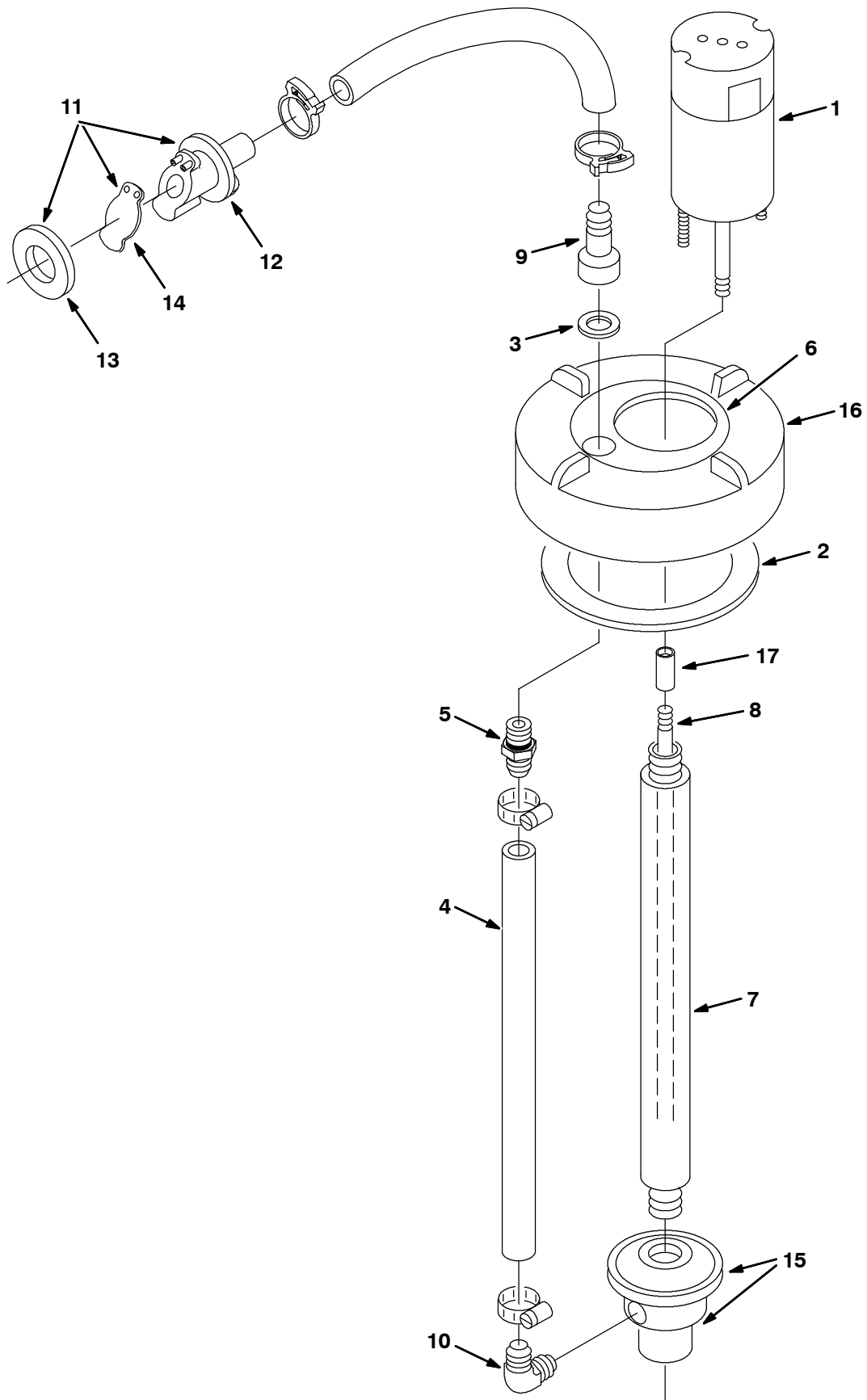


Fig. 16 - Extended Scrub Pump Breakdown, 20914

	Ref.	Tennant Part No.	Manufacturer Serial Number	Description	Qty.
▽		20914	(000000-) Pump, Column, Es	1
▲▽	1	23282	(000000-) Motor 12V Dc	1
▲▲		78829	(000000-) Brush Kit	1
▲	2	375200	(000000-) Gasket, Lid	1
▲	3	78830	(000000-) Washer, Rubber Gr	1
▲	4	78833	(000000-) Tubing, Vinyl	1
▲	5	78398	(000000-) Fitting ,Str Gr	1
▲	6	22790	(000000-) Retainer, Gasket	1
▲	7	78836	(000000-) Column, Pump	1
▲	8	23283	(000000-) Shaft, Pump	1
▲	9	01644	(000000-) Ftg,Plstc .5Barb .5Pf	1
▲	10	78839	(000000-) Fitting , Elbow Gr	1
▲▽	11	78842	(000000-) Check Valve Kit	1
▲▲	12	78840	(000000-) Valve, Check	1
▲▲	13	73342	(000000-) Gasket, Check Valve	1
▲▲	14	78841	(000000-) Flapper, Valve	1
▲	15	78843	(000000-) Pump Body Kit	1
▲	16	86575	(000000-) Cap, Drain	1
▲	17	23285	(000000-) Sleeve	1

Fig. 17 - Extended Scrub Pump Breakdown, 379005

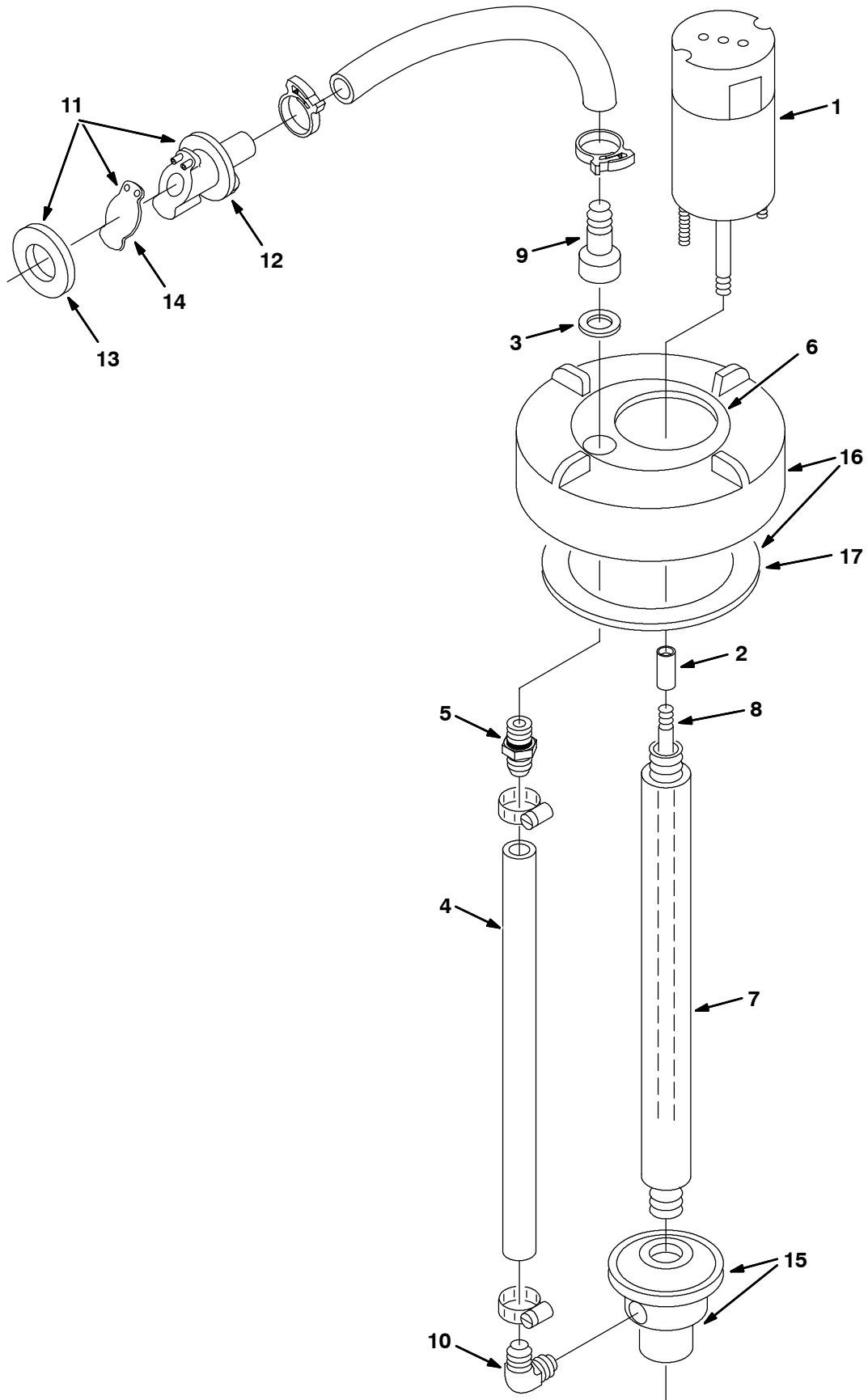


Fig. 17 - Extended Scrub Pump Breakdown, 379005

	Ref.	Tennant Part No.	Manufacturer Serial Number	Description	Qty.
▽		379005	(000000-) Pump, Column, Es	1
▲▽	1	23282	(000000-) Motor 12V Dc	1
▲▲		78829	(000000-) Brush Kit	1
▲	2	23285	(000000-) Sleeve	1
▲	3	78830	(000000-) Washer, Rubber Gr	1
▲	4	78833	(000000-) Tubing, Vinyl	1
▲	5	78398	(000000-) Fitting ,Str Gr	1
▲	6	22790	(000000-) Retainer, Gasket	1
▲	7	78836	(000000-) Column, Pump	1
▲	8	23283	(000000-) Shaft, Pump	1
▲	9	01644	(000000-) Ftg,Plstc .5Barb .5Pf	1
▲	10	78839	(000000-) Fitting , Elbow Gr	1
▲▽	11	78842	(000000-) Check Valve Kit	1
▲▲	12	78840	(000000-) Valve, Check	1
▲▲	13	73342	(000000-) Gasket, Check Valve	1
▲▲	14	78841	(000000-) Flapper, Valve	1
▲	15	78843	(000000-) Pump Body Kit	1
▲▽	16	24358	(000000-) Cap Assy, Tank	1
▲▲	17	375200	(000000-) Gasket, Lid	1

Fig. 18 - Extended Scrub Pump Breakdown, 20891

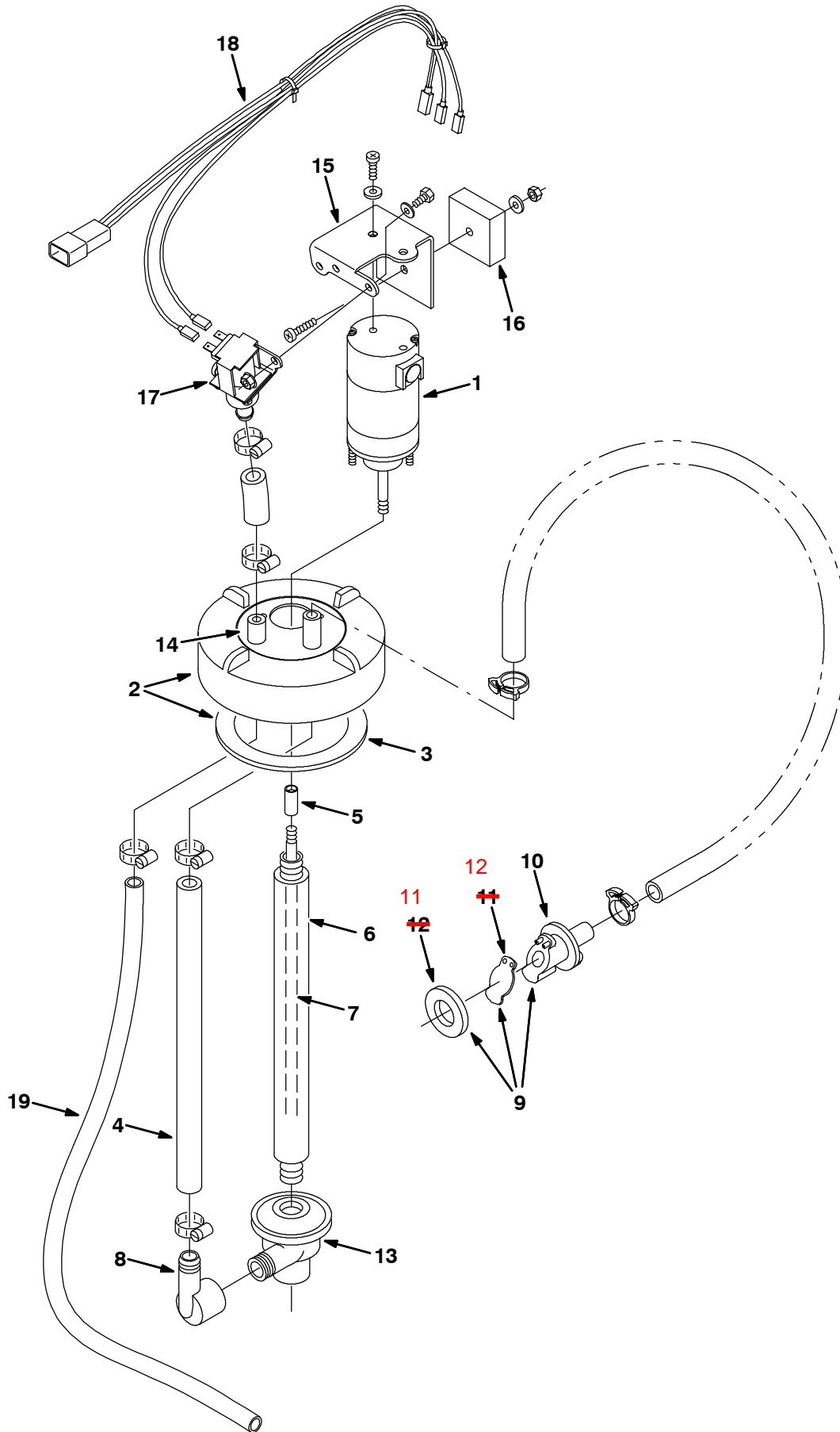
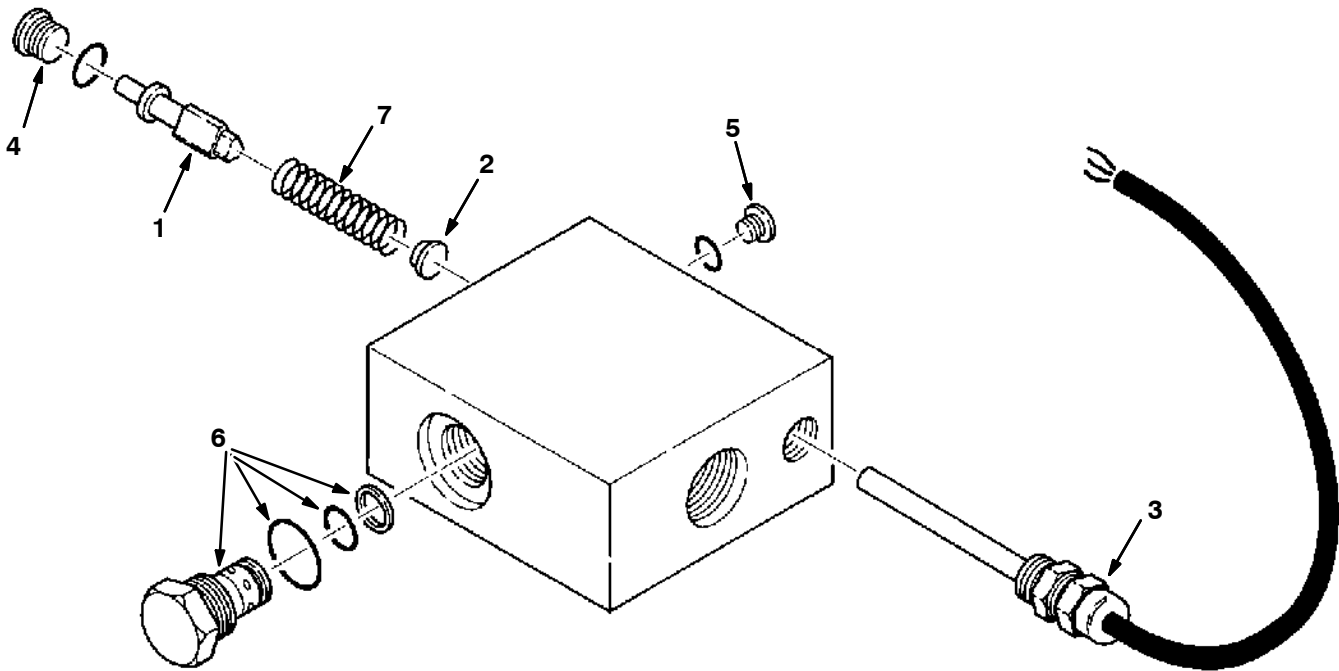


Fig. 18 - Extended Scrub Pump Breakdown, 20891

	Ref.	Tenant Part No.	Manufacturer Serial Number	Description	Qty.
▽		20891	(000000-) Pump, Water	1
▲▽	1	23282	(000000-) Motor 12V Dc	1
▲▲		78829	(000000-) Kit, Brush	1
▲▽	2	24358	(000000-) Cap, Tank	1
▲▲	3	375200	(000000-) Gasket	1
▲	4	78833	(000000-) Tubing, Vinyl	1
▲	5	23285	(000000-) Sleeve	1
▲	6	78836	(000000-) Column	1
▲	7	23283	(000000-) Shaft, Pump	1
▲	8	78839	(000000-) Fitting	1
▲▽	9	78842	(000000-) Check Valve Kit	1
▲▲	10	78840	(000000-) Valve, Check	1
▲▲	11	73342	(000000-) Gasket	1
▲▲	12	78841	(000000-) Flapper, Valve	1
▲	13	78843	(000000-) Pump Body Kit	1
▲	14	20892	(000000-) Backflush,Cover Lid	1
▲	15	20885	(000000-) Bracket, Solenoid Valve	1
▲	16	20989	(000000-) Timer, Backflush	1
▲	17	369320	(000000-) Valve, Water12V Solenoid	1
▲	18	20988	(000000-) Wireharness, Backflush	1
▲	19	20778	(000000-) Hose, Vinyl, Clear	1

BREAKDOWNS

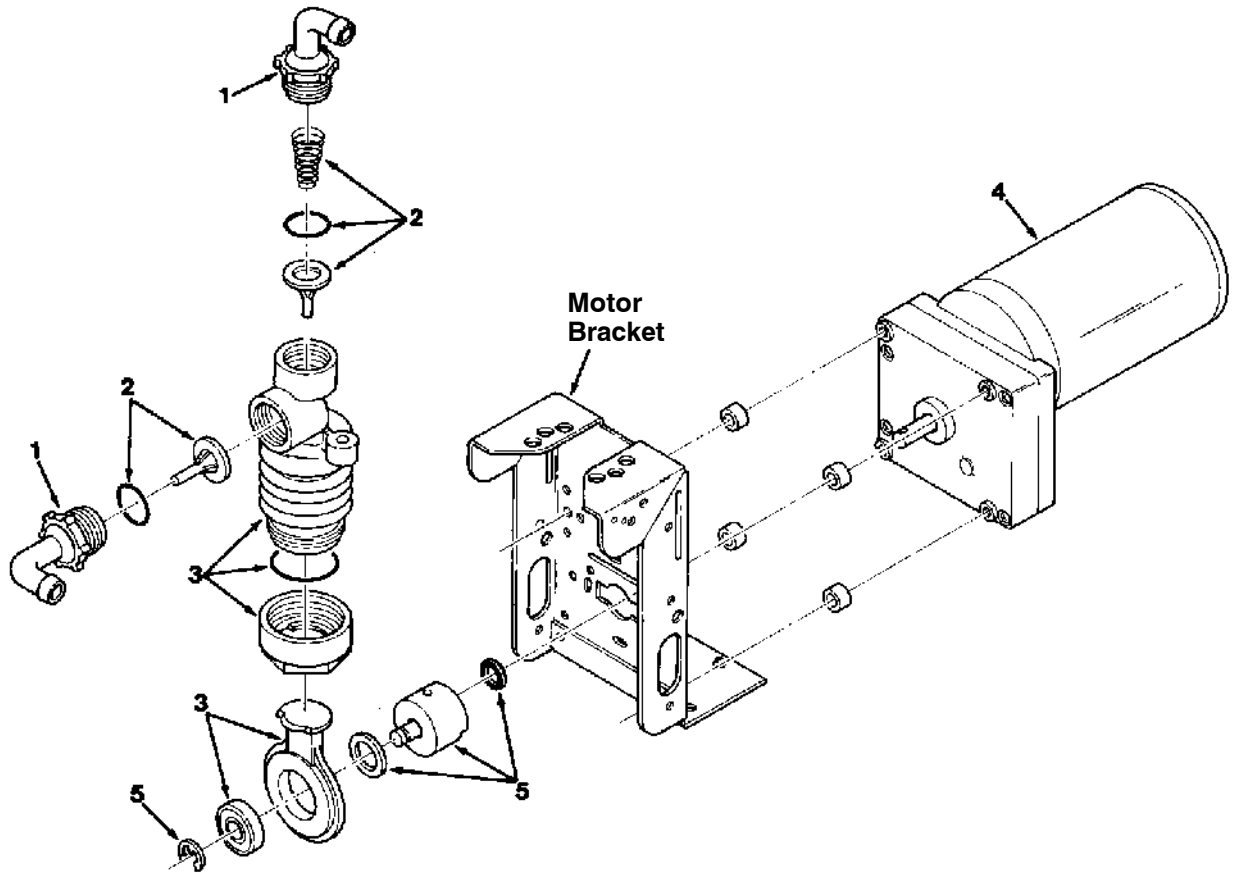
Fig. 19 - Hydraulic Flow Sensor Switch Breakdown, 73430



10854 - ALL

Ref.	Tennant Part No.	Manufacturer Serial Number	Description	Qty.
▽	73430	(000000-) Switch, Hyd Flow Sensor	1
▲	1	79712 (000000-) Actuator, Mag	1
▲	2	79713 (000000-) Cushion, Piston	1
▲	3	79714 (000000-) Switch Assy	1
▲	4	13904 (000000-) Plug Gage #6	1
▲	5	13902 (000000-) Plug #2	1
▲	6	79710 (000000-) Cart, Check Vlv	1
▲	7	79715 (000000-) Spring	1

Fig. 20 - Metering Solution Pump Breakdown, 73260



00112 - ALL

Ref.	Tennant Part No.	Manufacturer Serial Number	Description	Qty.	
▽	73260	(000000-) Pump, Detergent Metering	1	
▲	1	63923	(000000-) Tubing Connctr.Kit, Pmp	1
▲	2	21659	(000000-) Valve Kit, Poppet	1
▲	3	21657	(000000-) Bellows Kit	1
▲	4	78875	(000000-) Gear Motor Assy	1
▲	5	02430	(000000-) Crank Replmt.Kit,Pump	1

SECTION 5

Contents	Page
Fig. 1 - Cylinder Head, Valves Group	5-2
Fig. 2 - Cylinder Block Group	5-4
Fig. 3 - Camshaft and Valve Control Group	5-6
Fig. 4 - Crankshaft and Piston Group	5-8
Fig. 5 - Oil Pump and Oil Pan Group	5-10
Fig. 6 - Manifold Group	5-12
Fig. 7 - Front Cover Assembly Group	5-13
Fig. 8 - Water Pump Group	5-14
Fig. 9 - Distributorless Ignition Group	5-16
Fig. 10 - Gaskets Group	5-18
Fig. 11 - Flywheel Group	5-19

Fig. 1 - Cylinder Head, Valves Group

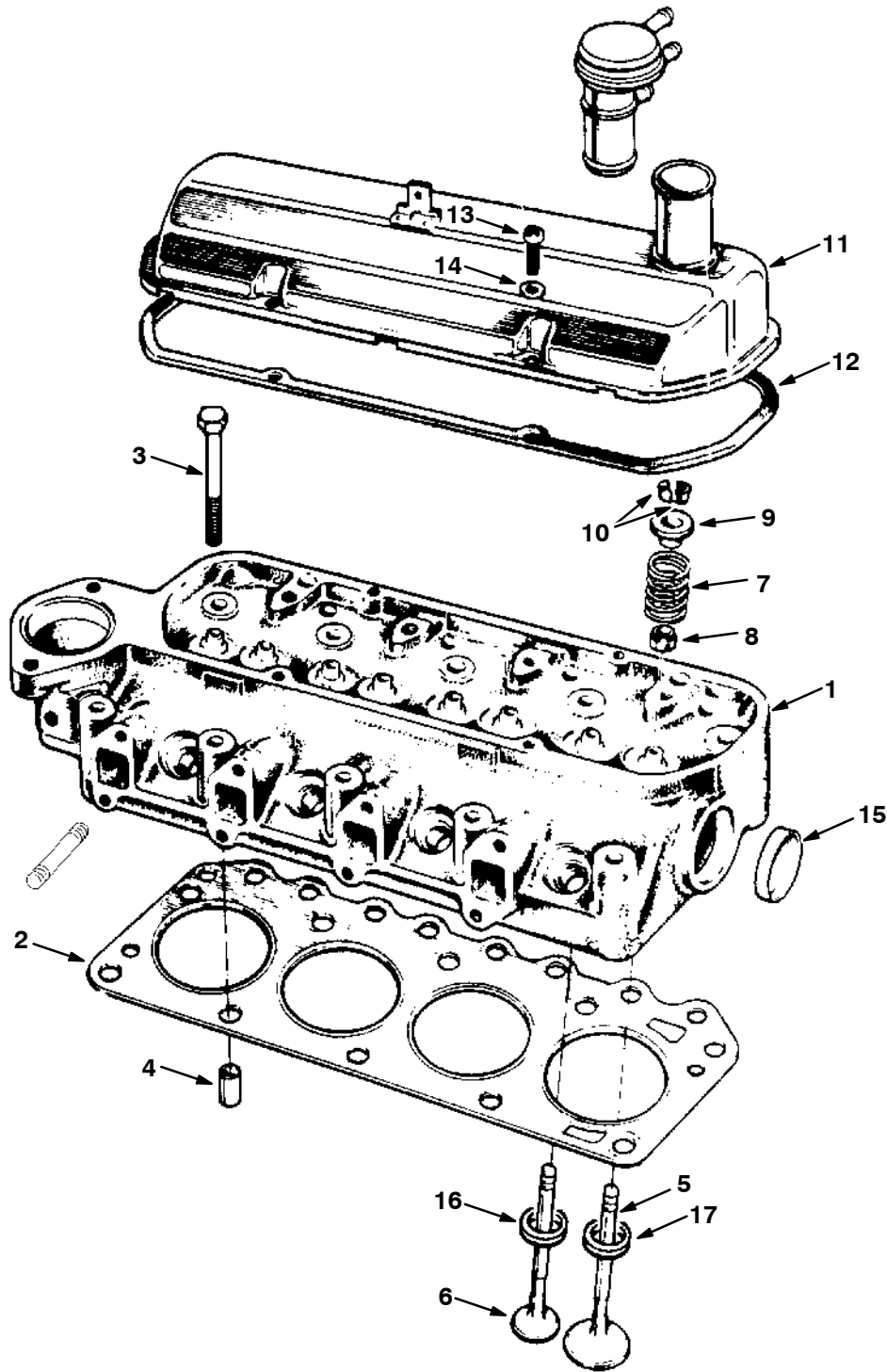


Fig. 1 - Cylinder Head, Valves Group

Ref.	Tennant Part No.	Ford Part Number	Description	Qty.
1	36279	89BM-6049-DD	Head Assembly, Cylinder	1
2	36281	89BM-6051-C2B	Gasket, Cylinder Head	1
3	36297	89BM-6065-DA	Bolt, Cylinder Head	10
4	36298	E840126-S	Dowel, Cylinder Head to Block	2
5	36300	89BM-6507-BA	Valve, Intake, Std	-
6	36307	89BM-6505-CA	Valve, Exhaust, Std	4
7	36315	89BM-6513-AA	Spring, Valve	8
8	61538	88WM-6571-BB	Seal, Valve Stem	8
9	36318	89BM-6A536-AA	Retainer	8
10	36319	88WM-6518-AA	Lock, Valve Spring	16
11	36321	89BM-6582-AA	Cover, Rocker Arm	1
12	07705	77BM-6584-CA	Gasket, Rocker Arm Cover	1
13	36324	E800516-S72	Screw, Rocker Cover to Head	4
14	36325	E630024-S201	Washer, Flat, 6 mm	4
15	37313	DORY-6026-A	Plug	1
16	36330	89BM-6057-A2E	Insert, Exhaust Valve Seat	4
17	36331	89BM-6056-A1G	Insert, Intake Valve Seat	4

Fig. 2 - Cylinder Block Group

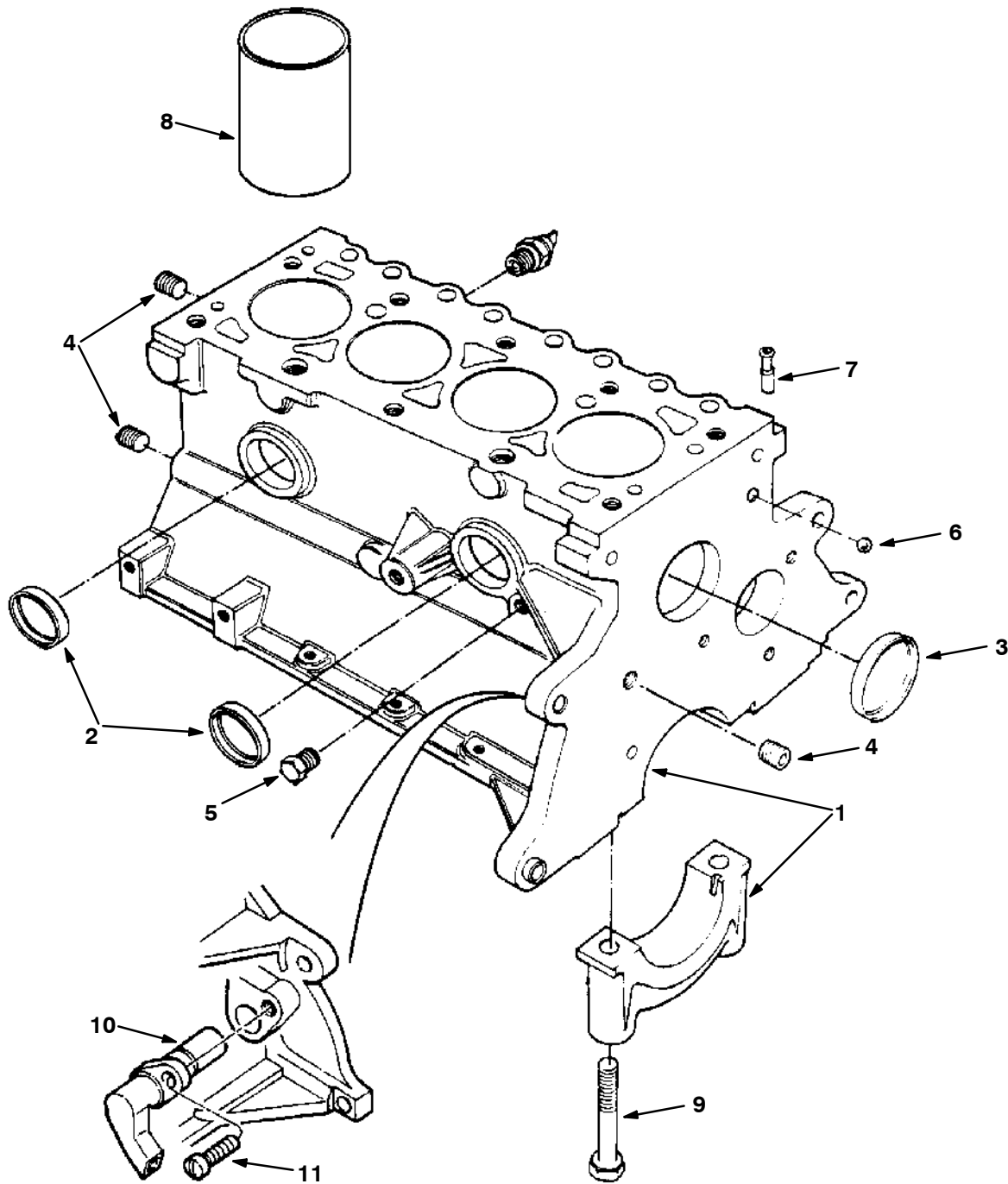


Fig. 2 - Cylinder Block Group

	Ref.	Tennant Part No.	Ford Part Number	Description	Qty.
▽	1	36264	89BM-6011-DA	Block, Cylinder, With Crank, Pistons, Rings, etc.	1
▲		36263	89BM-6010-FA	Block, Cylinder	1
	2	37313	DORY-6026-A	Plug	2
	3	36267	D8RZ-6026-A	Plug	1
	4	36268	F1ZZ-6026-A	Plug, 1/4 NPT	3
	5	36272	353055-S7	Plug, 1/4 NPT	1
	6	36273	E890100-S	Plug, Ball, Oil Gallery	1
	7	36274	D8RZ-6767-A	Adapter	1
	8	36275	89BM-6055-BA	Liner, Cylinder	-
	9	36276	D1FZ-6345-A	Bolt, Main Bearing Cap	10
	10	374632	F5RZ-6C315-A	Sensor, 45 Degree	1
	11	36278	E802666-S72	Screw, M6 x 14	1

Fig. 3 - Camshaft and Valve Control Group

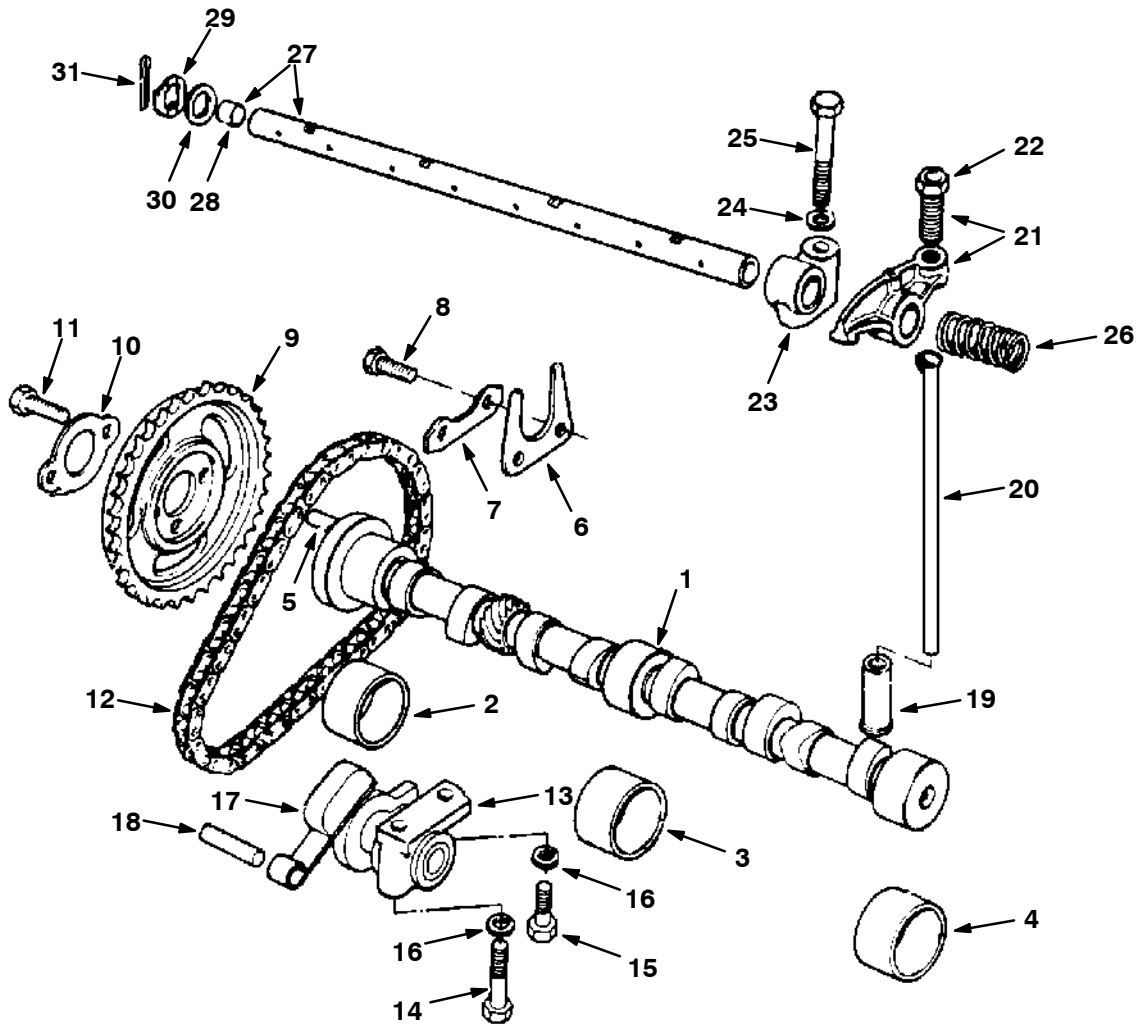
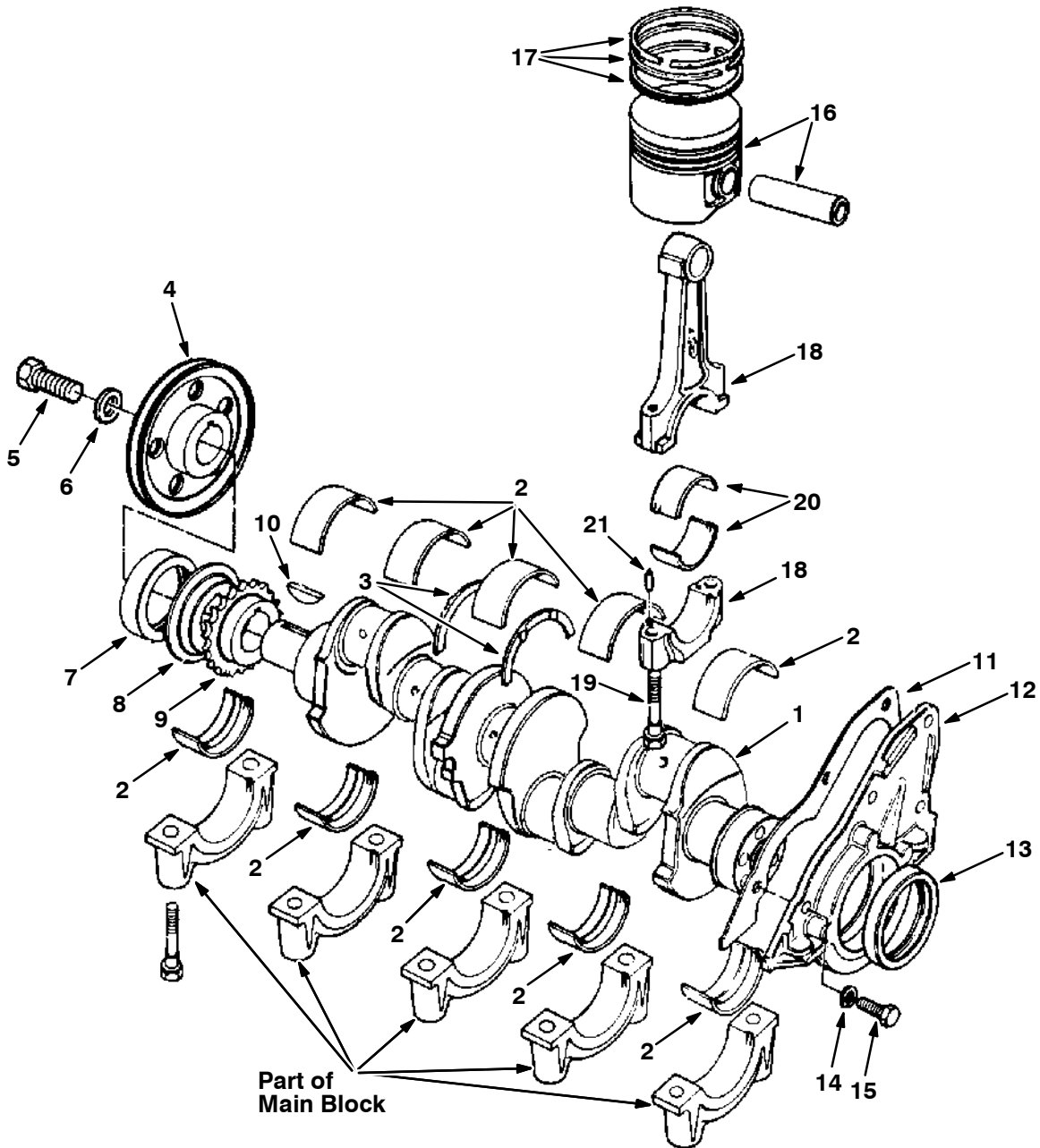


Fig. 3 - Camshaft and Valve Control Group

Ref.	Tennant Part No.	Ford Part Number	Description	Qty.	
1	36340	89BM-6251-BA	Camshaft	1	
2	37316	DORY-6261-A	Bearing, Std ID - Std OD	-	
2	37317	DORY-6261-B	Bearing, Std ID + 0.020 OD	-	
3	37306	DORY-6262-C	Bearing, Std ID - Std OD	-	
3	38242	DORY-6262-B	Bearing, Std ID + 0.020 OD	-	
4	37306	DORY-6262-C	Bearing, Std ID - Std OD	-	
4	38242	DORY-6262-B	Bearing, Std ID + 0.020 OD	-	
5	61540	E93A-6253-A	Dowel	1	
6	36342	DORY-6269-A	Plate, Thrust	1	
7	36343	DORY-6255-A	Retainer	1	
8	36344	N602166-S2	Bolt, M6 x 16, Tensioner to Block	2	
9	36345	77BM-6256-AA	Sprocket, Camshaft	1	
10	36348	DORY-6258-A	Retainer	1	
11	36349	E602351-S72	Bolt, M8 x 16	2	
12	37307	DORY-6268-A	Chain	1	
13	37337	D1FZ-6284-A	Tensioner	1	
14	36372	E600116-S204	Bolt, M6 x 55, Tensioner to Block	1	
15	36344	EN2166-S72	Bolt, M6 x 16, Tensioner to Block	1	
16	36373	34805-S8	Washer, 1/4 Lock	2	
17	36374	77BM-6K255-AC	Arm, Tensioner	1	
18	37694	E43-CPI	Pin	1	
19	36375	89BM-6500-AA	Tappet, Std	8	
20	36381	89BM-6565-AA	Rod, Valve Push	8	
21	36382	89BM-6529-AB	Arm, Valve Rocker, Right, With Screw	4	
▽	21	36383	89BM-6K528-AB	Arm, Valve Rocker, Left, With Screw	4
▲	22	37693	DORY-6549-B	Screw	8
	23	36384	77BM-6531-BB	Support, Rocker Arm Shaft	4
	24	36389	E630031-S101	Washer, B10 x 20 x 2.5	4
	25	36390	E800509-S72	Bolt, Rocker Support	4
	26	36402	DORY-6587-A	Spring, Locating	3
▽	27	36405	88BM-6A557-AA	Shaft Assembly, Rocker Arm	1
▲	28	36406	357966-S	Plug, Rocker Arm Shaft, 11 mm	2
	29	36407	77BM-6598-AB	Washer, Spring	2
	30	36408	DORY-6590-A	Washer, Flat	2
	31	36409	72025-S7	Pin, Cotter, 2.3 mm	2

Fig. 4 - Crankshaft and Piston Group



10191 - 7400, 6500L, G, LP

Ref.	Tennant Part No.	Ford Part Number	Description	Qty.
1	36322	89BM-6303-DA	Crankshaft Assembly	1
2	36410	89BM-6333-AA	Main Bearing, Crankshaft, Upper Std OD, Std ID	-
2	36411	89BM-6333-BA	Main Bearing, Crankshaft, Upper Std OD, 0.005 US ID	-
2	36412	89BM-6333-CA	Main Bearing, Crankshaft, Upper Std OD, 0.010 US ID	-
2	36413	89BM-6333-DA	Main Bearing, Crankshaft, Upper 0.015 OS OD, Std ID	-
2	36414	89BM-6333-EA	Main Bearing, Crankshaft, Upper Std OD, 0.020 US ID	-
2	36415	89BM-6333-FA	Main Bearing, Crankshaft, Upper Std OD, 0.030 US ID	-
2	36416	89BM-6333-GA	Main Bearing, Crankshaft, Upper 0.015 OS OD, 0.010 US ID	-
2	36418	89BM-6333-HA	Main Bearing, Crankshaft, Upper 0.015 OS OD, 0.020 US ID	-
2	61545	89BM-6331-AA	Main Bearing, Crankshaft, Lower Std OD, Std ID	-

ENGINE BREAKDOWN

Ref.	Tennant Part No.	Ford Part Number	Description	Qty.
2	61546	89BM-6331-BA	Main Bearing, Crankshaft, Lower Std OD, 0.005 US ID	-
2	61547	89BM-6331-CA	Main Bearing, Crankshaft, Lower Std OD, 0.010 US ID	-
2	61548	89BM-6331-DA	Main Bearing, Crankshaft, Lower 0.015 OS OD, Std ID	-
2	61549	89BM-6331-EA	Main Bearing, Crankshaft, Lower Std OD, 0.020 US ID	-
2	61550	89BM-6331-FA	Main Bearing, Crankshaft, Lower Std OD, 0.030 US ID	-
2	61551	89BM-6331-GA	Main Bearing, Crankshaft, Lower 0.015 OS OD, 0.010 US ID	-
2	61552	89BM-6331-HA	Main Bearing, Crankshaft, Lower 0.015 OS OD, 0.020 US ID	-
3	36419	89BM-6A341-AA	Washer, Main Bearing Thrust, Std	2
3	36421	89BM-6A341-BA	Washer, Main Bearing Thrust, 0.015 OS	-
4	36422	89BM-6312-AA	Pulley, Crankshaft, 1 Groove	1
5	36423	89BM-6K340-AA	Bolt, Pulley to Crankshaft, M12 x 32	1
6	07707	E830135-S76	Washer, Pulley to Crankshaft, B12	1
7	36257	83BM-6700-A4A	Seal, Front Cover	1
8	36424	D8RZ-6310-A	Slinger, Oil	1
9	37321	DORY-6306-A	Sprocket	1
10	37312	DORY-6B316-A	Key, Woodruff	1
11	36259	89BM-6344-BA	Gasket, Rear Retainer	1
12	36430	86BM-6K318-AA	Retainer Assembly, Rear	1
13	37343	86HM-6701-AIA	Seal, Crankshaft Rear	1
14	36431	E630173-S71M	Washer, B8 Lock	4
15	37181	E602187-S82	Bolt, M8 x 20	4
16	36432	89BM-6102-DA	Piston, Pin and Ring Assembly, Std	-
16	36433	89BM-6102-EA	Piston, Pin and Ring Assembly, 0.020 OS	-
16	36445	89BM-6102-FA	Piston, Pin and Ring Assembly, 0.040 OS	-
17	42361	89BM-6148-DA	Ring Set, Piston, Std	-
17	75809	89BM-6148-EA	Ring Set, Piston, 0.020 OS	-
17	75817	89BM-6148-FA	Ring Set, Piston, 0.040 OS	-
18	61527	89BM-6200-AD	Rod Assembly, Connecting	4
19	36454	89BM-6214-DB	Bolt, Connecting Rod	8
20	36463	89BM-6211-AA	Bearing, Connecting Rod, Std	8
20	36467	89BM-6211-BA	Bearing, Connecting Rod, 0.001 US	-
20	36469	89BM-6211-CA	Bearing, Connecting Rod, 0.010 US	-
20	36483	89BM-6211-DA	Bearing, Connecting Rod, 0.020 US	-
20	36493	89BM-6211-EA	Bearing, Connecting Rod, 0.030 US	-
21	36590	116336-ES100	Dowel Pin, Connecting Rod	8

Fig. 5 - Oil Pump and Oil Pan Group

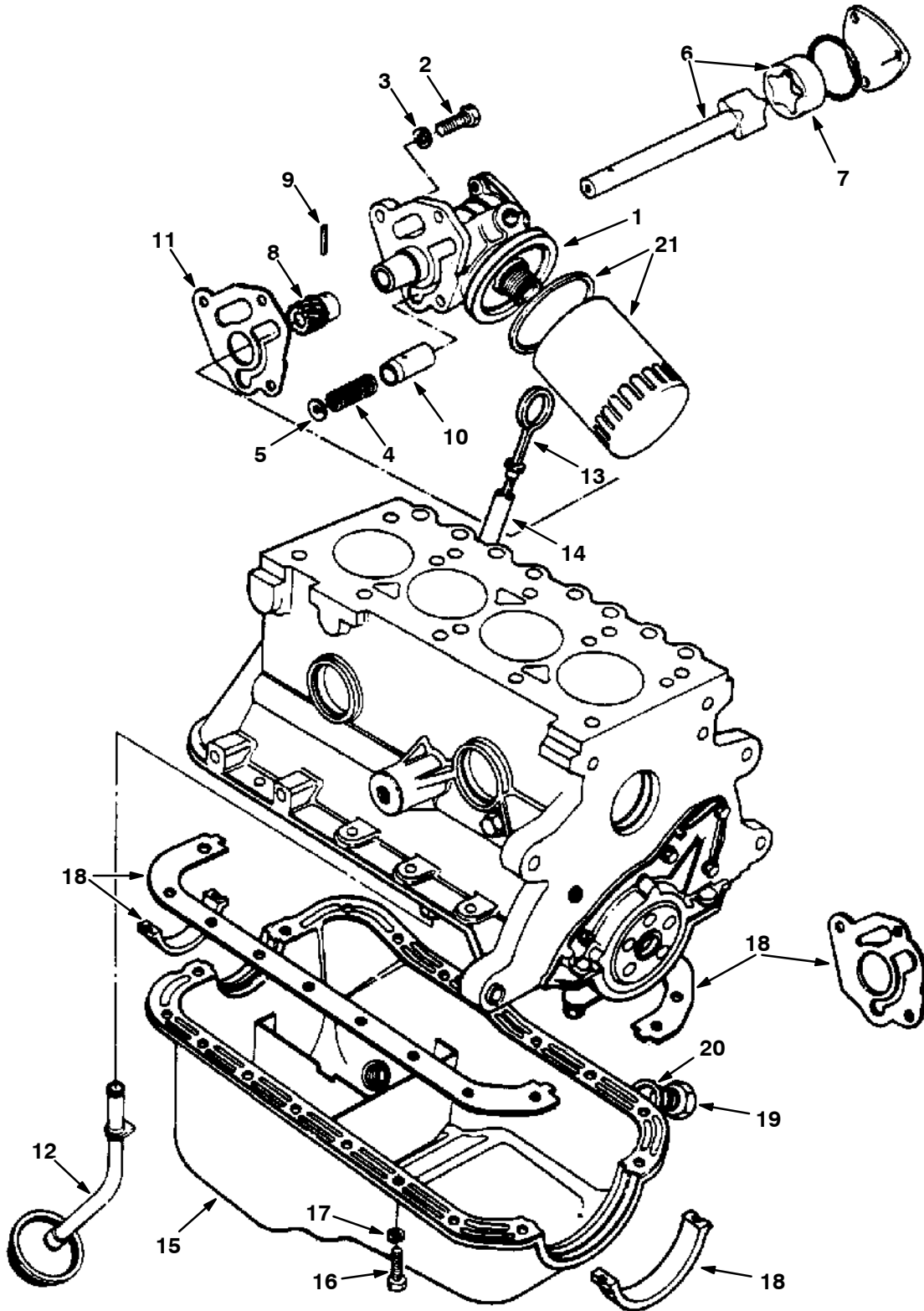
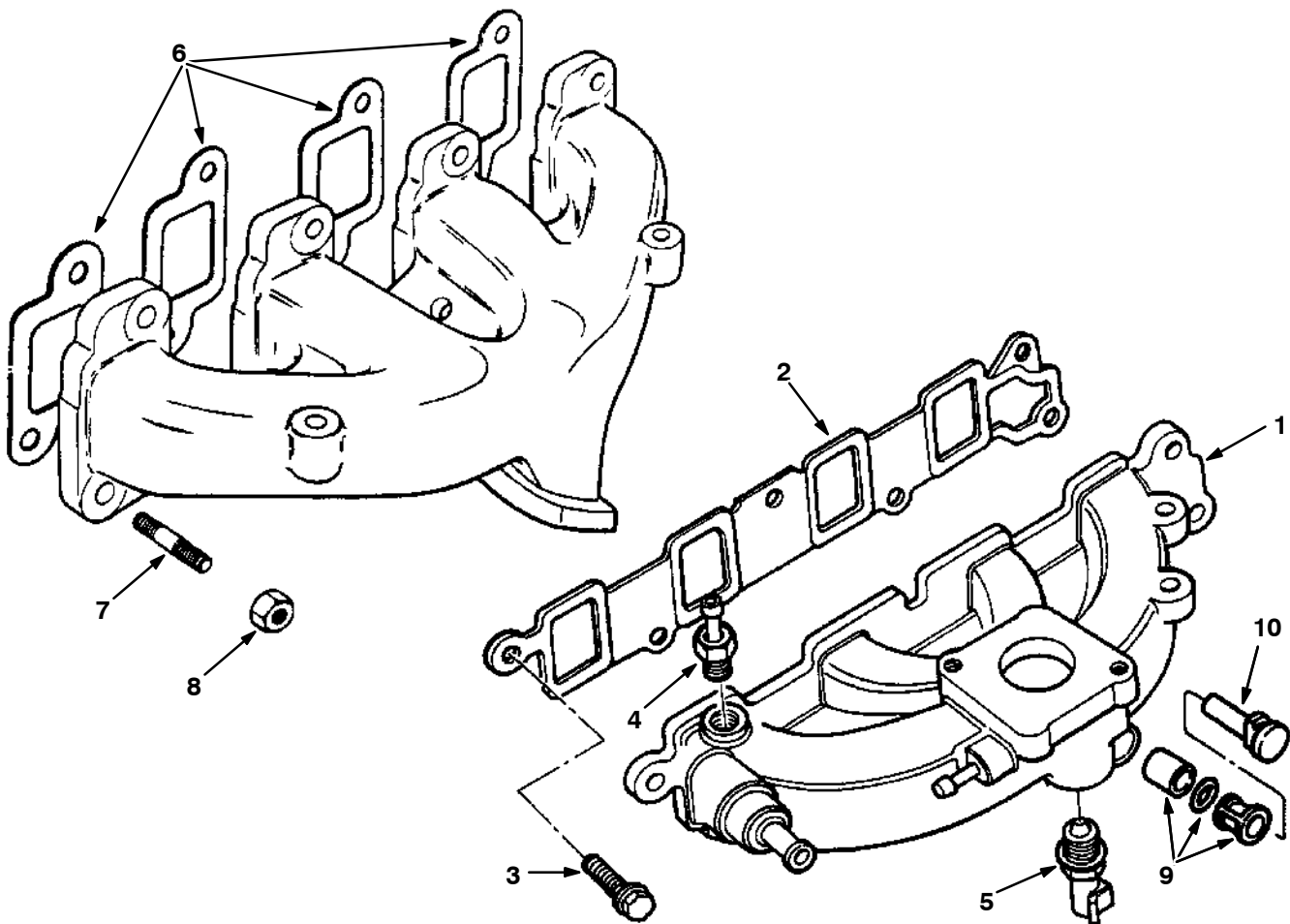


Fig. 5 - Oil Pump and Oil Pan Group

	Ref.	Tennant Part No.	Ford Part Number	Description	Qty.
▽	1	07710	D8RZ-6600-A	Pump, Oil	1
▲	2	36748	E800519-S72	Bolt	3
▲	3	36431	E630173-S71M	Washer, B8 Lock	3
▲	4	36904	DORY-6670-A	Spring	1
▲	5	36923	DORY-6666-A	Plug (Replaced By None)	1
▲	6	10075	D1FZ-6608-B	Rotor and Shaft	1
▲	7	37403	116682-ES	Seal, Cover Plate	1
▲	8	36780	DORY-6652-A	Gear	1
▲	9	36867	72432-S	Pin, Drive Gear	1
▲	10	36881	DORY-6674-A	Plunger	1
	11	36764	89BM-6659-AA	Gasket, Oil Pump to Block	1
	12	36765	86BM-6617-AA	Tube Assembly, Oil Pickup	1
	13	36924	92BM-6750-AA	Indicator, Oil Level	1
	14	37053	89BM-6784-AA	Tube, Oil Level Indicator	1
	15	37098	86BM-6675-AA	Oil Pan and Plug	1
	16	37099	E602165-S72	Bolt, M6 x 14, Oil Pan	18
	17	36373	34805-S8	Washer, 1/4 Lock	18
	18	10806	A850X-6013-AA	Kit, Oil Pan Gasket	1
	19	37127	E9DZ-6730-B	Plug, Oil Drain	1
	20	37157	E9DZ-6734-B	Gasket, Oil Drain Plug	1
	21	19205		Filter, Engine Oil	1

Fig. 6 - Manifold Group



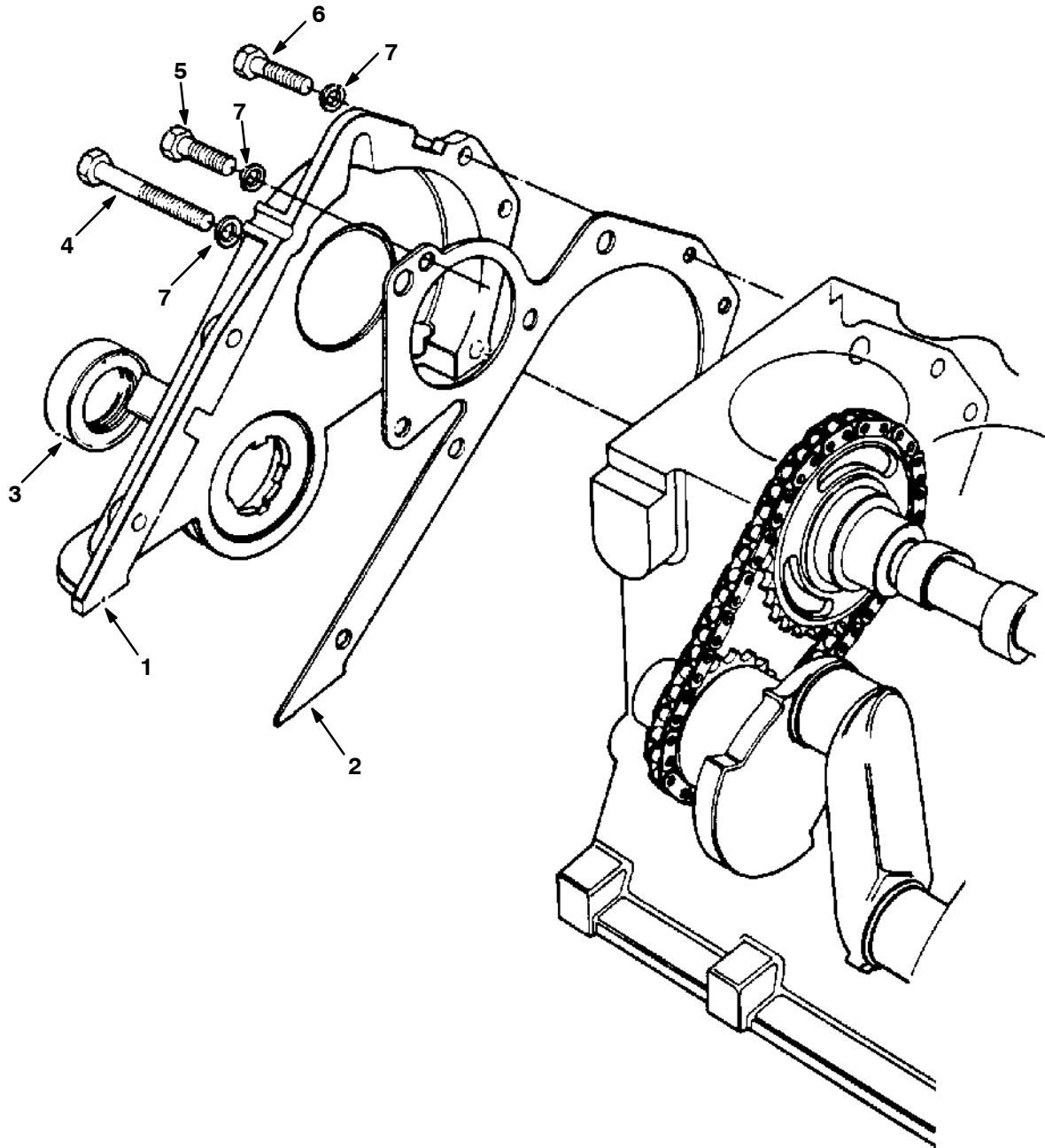
07949 - 7400

Ref.	Tennant Part No.	Ford Part Number	Description	Qty.
1	37194	89BF-9424-AD	Manifold, Intake	1
2	37195	89BM-9441-AB	Gasket, Intake Manifold	1
3	37196	E800157-S72	Bolt, M8 x 25	6
4	37198	77BF-9K442-AA	Adapter, Vacuum	1
5	37199	E1AZ-12A648-A	Sensor, Water Temperature	1
5	84989	F572-12A6488-AA	Sensor, Water Temperature	1
6	61556	89BM-9448-BA	Gasket, Exhaust Manifold	4
7	30327		Stud	8
8	08165		Nut, Stover M8 x 1.25	8
9	21784	87AB-2A411-BA	Manifold Insert	1
10	21785	87AB-9H490-AA	Plug	1

① Tennant Serial Number (000000- xxxxxx)

② Tennant Serial Number (xxxxxx-)

Fig. 7 - Front Cover Assembly Group



04708 - G, LP

Ref.	Tennant Part No.	Ford Part Number	Description	Qty.
▽ 1	36332	89BM-6019-AA	Cover and Seal Assembly, Cylinder Front	1
▲ 2	52484	89BM-6020-AA	Gasket, Front Cover	1
▲ 3	36257	83BM-6700-A4A	Seal, Front Cover	1
06948 4	36337	E800518-S72	Bolt, M6 x 45, Front Cover to Block	1
5	39047	E600113-S72	Bolt, M6 x 40, Front Cover to Block	3
6	36338	E800512-S72	Bolt, M6 x 18, Front Cover to Block	4
7	36339	E832108S71M	Washer, Lock, M6, Front Cover and W/P to Block	8

Fig. 8 - Water Pump Group

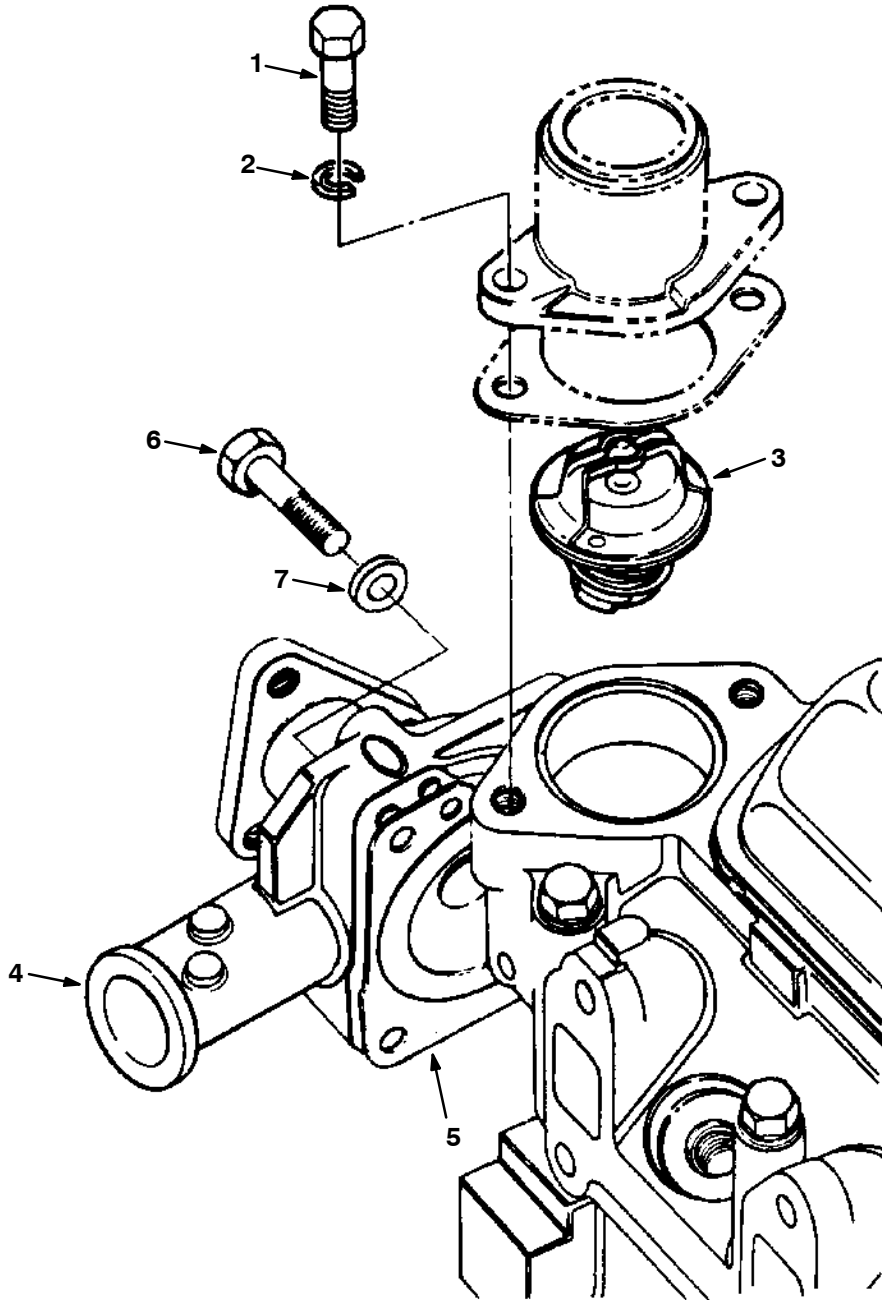


Fig. 8 - Water Pump Group

Ref.	Tennant Part No.	Ford Part Number	Description	Qty.
1	37181	E602187-S82	Bolt, M8 x 20	2
2	36431	E630173-S71M	Washer, B8 Lock	2
3	37327	RT-351	Thermostat, 180 Degree	1
4	26431	92BX-8591-AA	Water Pump	1
5	37189	89BM-8507-AA	Gasket, Water Pump	1
6	37193	E600113-S72	Bolt, M6 x 40, Front Cover and W/P to Block	3
7	36339	E832108-S71M	Washer, M6 Lock	3

Fig. 9 - Distributorless Ignition Group

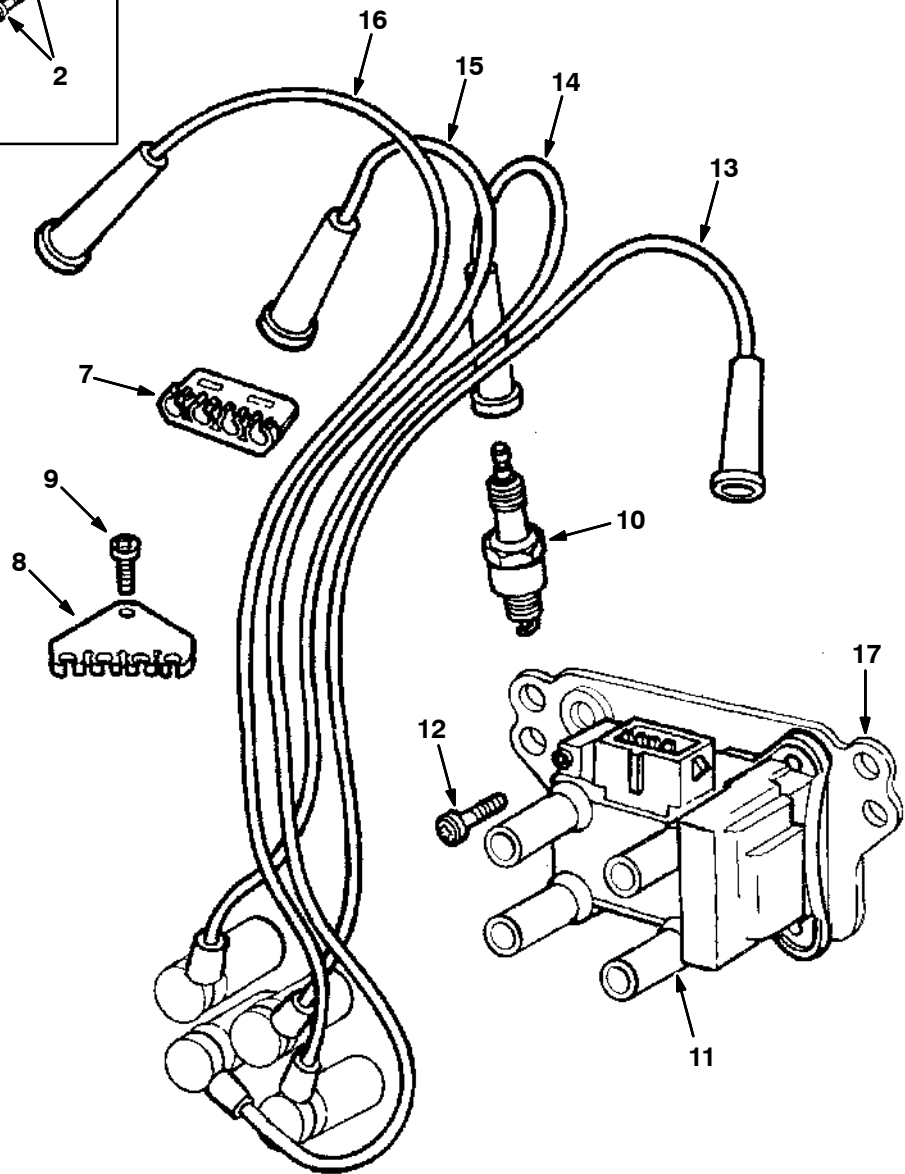
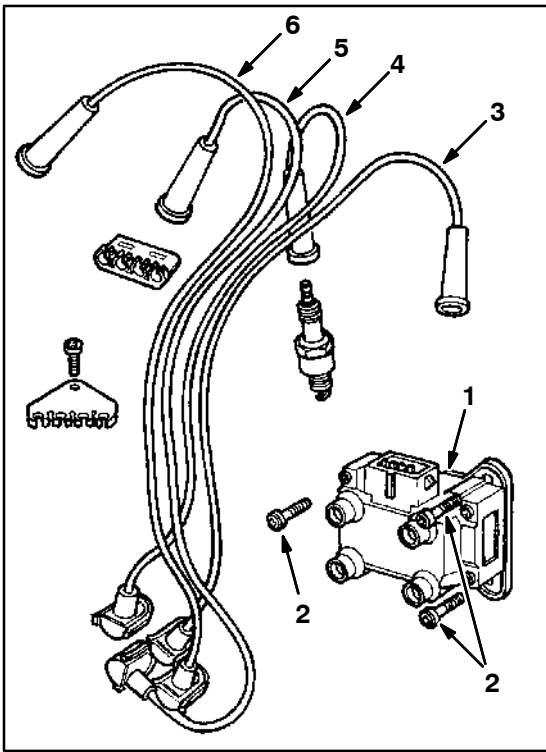


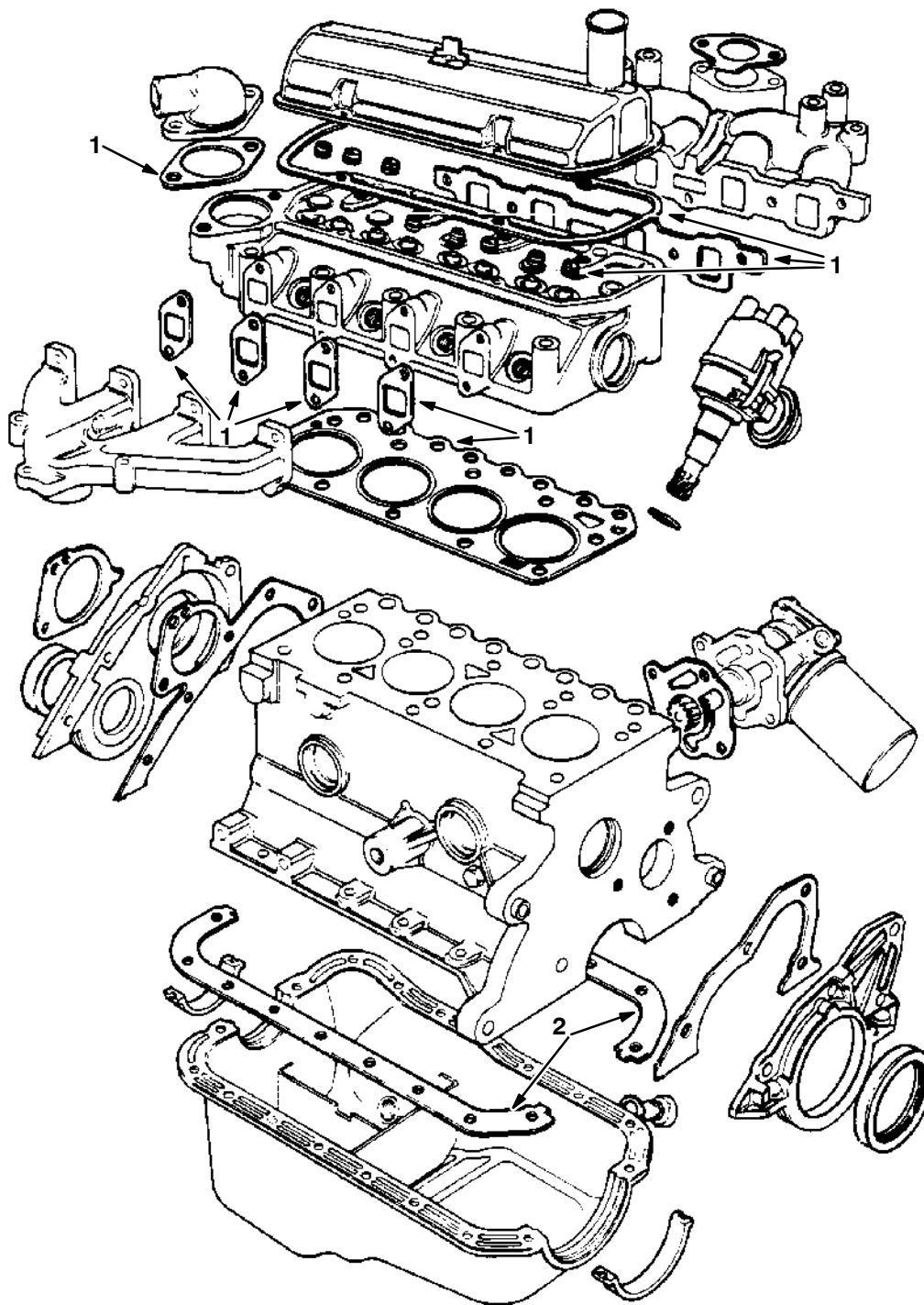
Fig. 9 - Distributorless Ignition Group

Ref.	Tennant Part No.	Ford Part Number	Description	Qty.
1	39025	89BF-12024-A1B ^①	Coil and Bracket Assembly, Ignition	1
2	39026	E804335-S201 ^①	Screw, M8 x 14	3
3	39038	89BF-12286-AD ^①	Wire, Spark Plug, No. 1	1
4	39040	89BF-12283-AD ^①	Wire, Spark Plug, No. 2	1
5	39041	89BF-12284-AD ^①	Wire, Spark Plug, No. 3	1
6	39042	89BF-12287-AC ^①	Wire, Spark Plug, No. 4	1
7	39043	E865648-S	Separator, Ignition Wire	1
8	39044	89BF-12297-AA	Separator, Ignition Wire	1
9	39045	E802166-S76	Screw, M4 x 10	1
10	39046	87YF-12405-AB	Spark Plug	4
11	374666	988F-12029-AC ^②	Coil and Bracket Assembly, Ignition	1
12	374672	W505574-S309 ^②	Screw, M5x16	4
13	374667	98BF-12286-DA ^②	Wire, Spark Plug, No. 1	1
14	374668	98BF-12283-DA ^②	Wire, Spark Plug, No. 2	1
15	374669	98BF-12284-DA ^②	Wire, Spark Plug, No. 3	1
16	374670	98BF-12287-DA ^②	Wire, Spark Plug, No. 4	1
17	374671	98BF-12257-AA ^②	Bracket, Coil Mount	4

^① Tennant Serial Number (000000-003997)

^② Tennant Serial Number (003998-)

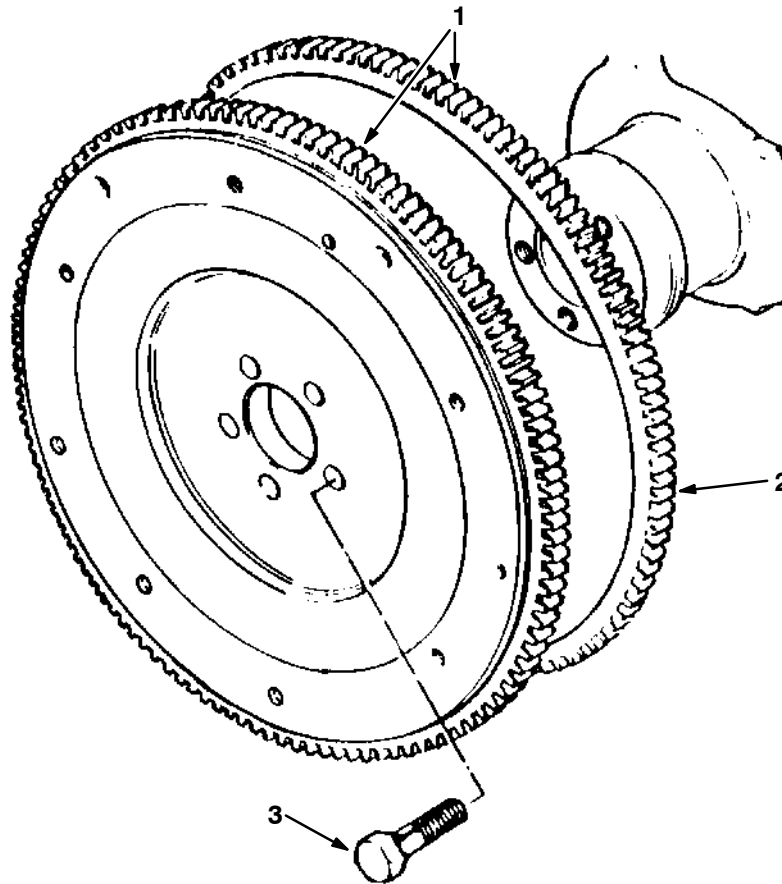
Fig. 10 - Gaskets Group



04711 - G, LP

Ref.	Tennant Part No.	Ford Part Number	Description	Qty.
▽	36253	88BX-6008-BA	Engine Gasket Kit, Complete	1
▲ 1	36254	88BX-6014-BA	Engine Gasket Kit, Upper	1
▲ 2	10806	A850X-6013-AA	Pan Gasket Kit	1

Fig. 11 - Flywheel Group



04710 - G, LP

	Ref.	Tennant Part No.	Ford Part Number	Description	Qty.
▽	1	36591	89BM-6375-BA	Flywheel and Ring Gear Assembly	1
▲	2	52488	D8RZ-6384-A	Ring, Gear	1
	3	36630	D2RY-6379-A	Bolt, M10 x 22.5, Flywheel to Crankshaft	5
		36646	D1FZ-6397-B	Dowel	3

SECTION 6

CONTENTS

PAGE

PART NUMBER TO PAGE NUMBER CROSS REFERENCE LIST 6-2
PART DESCRIPTION TO PAGE NUMBER CROSS REFERENCE LIST 6-11

CROSS REFERENCE

PART NUMBER TO PAGE NUMBER CROSS REFERENCE LIST

Part Number	Page Number	Part Number	Page Number	Part Number	Page Number
A850X-6013-AA	5-11, 5-18	F572-12A6488-AA	5-12	06279	2-109
D1FZ-6284-A	5-7	F5RZ-6C315-A	5-5	06419	2-93
D1FZ-6345-A	5-5	IB3614	4-16, 4-17	06474A	2-109
D1FZ-6397-B	5-19	MM425	3-44	06535	2-103
D1FZ-6608-B	5-11	MM425ES	3-44	06598	2-51, 3-17
D2RY-6379-A	5-19	MM425FR	3-44	06945	2-27, 2-29
D8RZ-6026-A	5-5	MM428	3-44	06981	2-93
D8RZ-6310-A	5-9	N602166-S2	5-7	07449	2-111
D8RZ-6384-A	5-19	RT-351	5-15	07450	2-109
D8RZ-6600-A	5-11	W505574-S309	5-17	07464	2-31
D8RZ-6767-A	5-5	00500-15	4-10, 4-11, 4-13	07562	2-33, 3-43
DORY-6026-A	5-3, 5-5	00927	2-101	07598	2-31
DORY-6255-A	5-7	00954	4-16	07705	2-2, 5-3
DORY-6258-A	5-7	00960	4-17	07707	5-9
DORY-6261-A	5-7	01076	2-11	07710	5-11
DORY-6261-B	5-7	01314	2-29	07783	2-97, 2-101
DORY-6262-B	5-7	01316	3-7	07787	2-93
DORY-6262-C	5-7	01335	3-42	07788	2-7
DORY-6268-A	5-7	01644	4-29, 4-31	07805	2-105
DORY-6269-A	5-7	01683	2-55, 2-59, 2-65, 3-13, 3-15	08165	2-23, 5-12
DORY-6306-A	5-9	01684	2-7, 2-53, 2-59, 2-99, 2-103, 2-105, 2-107, 3-9, 3-19	08182	2-97, 2-101
DORY-6549-B	5-7	01685	2-5, 2-9, 2-43, 2-47, 2-51, 2-55, 2-63, 2-65, 2-93, 2-105, 3-13, 3-17	08708	2-27, 2-29
DORY-6587-A	5-7	01686	2-7, 2-93, 2-95, 2-99, 2-103, 2-105, 2-111, 2-113	08709	2-35, 2-37
DORY-6590-A	5-7	01692	2-111	08712	2-53, 2-59, 2-107, 2-111, 3-15, 3-19
DORY-6652-A	5-11	01704	2-55	08713	2-5, 2-43, 2-51, 2-55, 2-93, 2-115
DORY-6666-A	5-11	01762	2-97	08714	2-81, 2-95, 2-99, 2-103, 2-109, 2-111, 2-113
DORY-6670-A	5-11	01762	2-97	08716	2-11, 2-59, 2-107, 3-15, 3-19
DORY-6674-A	5-11	01997	2-31	09005	2-101
DORY-6B316-A	5-9	02076	2-25	09007	2-7, 2-95, 3-19
E1AZ-12A648-A	5-12	02430	4-35	09010	2-9, 2-43, 2-47, 2-105, 3-13
E43-CPI	5-7	02431	2-21	09011	2-93
E600113-S72	5-13, 5-15	02506-6	3-31	09023	2-51, 2-55
E600116-S204	5-7	02705	4-3	09026	2-51
E602165-S72	5-11	02706	4-3	09028	2-7, 2-93, 2-99, 2-103, 2-105, 2-113, 3-17
E602187-S82	5-9, 5-15	02709	4-3	09029	2-105
E602351-S72	5-7	02738	2-27	09088	2-51
E630024-S201	5-3	02740	2-33	09291	3-17
E630031-S101	5-7	02741	2-33	09738	2-59, 3-15
E630173-S71M	5-9, 5-11, 5-15	02887	2-23	09739	2-59, 2-65, 3-13
E800157-S72	5-12	02931	2-2, 2-115	09740	2-5, 2-105, 3-13, 3-17
E800509-S72	5-7	03026	2-33	09741	2-105
E800512-S72	5-13	03495	2-113	09744	2-99, 2-103
E800516-S72	5-3	03922	2-57	09806	2-11
E800518-S72	5-13	04414	2-25	09832	2-45, 2-55
E800519-S72	5-11	04417	2-109	10075	5-11
E802166-S76	5-17	04706	2-17	10137	2-47
E802666-S72	5-5	04733-10	2-109	10165	2-2, 2-115
E804335-S201	5-17	05286	2-95	10575	3-9, 3-11
E830135-S76	5-9	05686	2-111	10632-14	2-43
E832108-S71M	5-15	05724	2-3	10632-5	2-15, 2-21
E832108S71M	5-13	05725	2-3		
E840126-S	5-3	05726	2-3		
E865648-S	5-17				
E890100-S	5-5				
E93A-6253-A	5-7				
E9DZ-6730-B	5-11				
E9DZ-6734-B	5-11				
EN2166-S72	5-7				
F1ZZ-6026-A	5-5				

CROSS REFERENCE

Part Number	Page Number	Part Number	Page Number	Part Number	Page Number
10632-7	2-27	19760	2-41	20956	3-7
10632-9	3-2, 3-3, 3-4, 3-5, 3-15	20777	2-59	20957	3-9
10664	2-81	20778	2-59, 4-33	20958	2-61
10678	3-7	20779	2-59	20959	2-59
10795	2-23	20782	2-15	20971	2-2, 2-57
10806	5-11, 5-18	20784	2-13	20974	2-57
11399	2-59, 2-63, 2-107	20785	2-15	20976	2-57
11442-1	2-31	20788	2-9	20978	2-59
11442-3	3-7	20789	2-5	20980	2-63
116336-ES100	5-9	20791	2-7	20982	2-57
116682-ES	5-11	20795	3-30	20983	2-63
11843	2-111	20798	3-32	20988	4-33
11984	2-27	20800	3-33	20989	4-33
12273	2-9, 2-43, 2-61, 2-63, 2-65, 3-13	20801	3-19	20994	2-61
12295	2-101	20802	2-13	20995	2-61
12316	2-65	20805	2-5	20996	2-61
12317	2-45	20806	2-59, 2-111	20997	2-61
12333	2-43	20807	2-59	20999	3-13
12364	2-115	20809	2-15	21586	2-113
12472	3-38	20810	2-61	21597	2-113
12677	3-19	20811	2-61	21600	2-113
12678	2-2, 3-19	20812	2-13	21601	2-113
13015	2-47	20813	2-9	21602	2-113
13248	2-9, 2-43, 2-45, 2-55, 2-57, 2-63, 2-77, 2-79, 3-21, 3-23	20820	2-13	21603	2-113
13902	4-19, 4-21, 4-23, 4-25, 4-27, 4-34	20822	2-13	21606	2-113
13904	4-19, 4-21, 4-23, 4-25, 4-34	20833	2-2, 2-115	21608	2-113
13907	4-19, 4-21, 4-23, 4-25	20862	2-81	21614	2-2, 2-113
14131	2-39	20868	2-109	21623	2-11
14242	2-51	20884	2-57	21625	2-15
14432	2-33	20885	4-33	21626	2-11
14601	2-55	20889	2-107	21627	2-11
14838	2-3	20891	3-11, 4-33	21628	2-11
14864	2-65	20892	4-33	21630	2-11
14880	2-65	20895	3-11	21631	2-15
14983	3-42	20903	2-33	21638	2-9
15107	3-19	20914	3-9, 4-29	21657	4-35
15555-1	2-39	20915	2-63	21659	4-35
15965	3-7	20917	2-43	21784	5-12
16213	2-55	20918	2-61	21785	5-12
16456	2-109	20919	2-61	21904	4-19, 4-21, 4-23, 4-25, 4-27
16695	4-10, 4-11, 4-13	20921	2-63	21906	4-19, 4-21, 4-23, 4-25, 4-27
16738	2-27	20922	2-63	21907	4-19, 4-21, 4-23, 4-25, 4-27
16931	2-35, 2-37	20924	2-61	21916	4-19, 4-21, 4-23, 4-25, 4-27
17188	2-61	20927	2-61	21919	4-19, 4-21, 4-23, 4-25
17414	2-23, 2-31	20932	3-39, 3-40	21920	4-19, 4-21, 4-23, 4-25
19066	2-27, 2-29	20935	2-5	21921	4-27
19191	3-19	20936	2-5	21922	4-27
19200	2-23	20937	2-63	21923	4-19, 4-21, 4-23, 4-25, 4-27
19205	2-2, 2-23, 5-11	20938	2-65	21924	4-10, 4-11
19252	2-25	20941	3-13	21925	4-3
19544	2-75	20942	3-13	21926	4-3
19583	2-49	20943	2-63	21927	4-3
19689	2-23	20944	3-13	21928	4-3
19747	2-23	20945	2-67	21929	4-3
		20946	2-81		
		20947	3-9		
		20949	2-63		
		20950	3-13		
		20951	3-13		
		20952	3-13		
		20955	3-7		

CROSS REFERENCE

Part Number	Page Number	Part Number	Page Number	Part Number	Page Number
21931	4-27	25736	2-99, 2-103	31922	3-15
21933	4-15	25737	2-99, 2-103	32126	2-49
21934	4-15	25744	3-29	32376	2-23
21935	4-15	25745	3-29	32490	2-95, 2-115
21936	4-5	25746	3-29	32491	2-35, 2-95
21937	4-5	25755	3-15	32494	2-93
21938	4-5	25761	3-2	32508	2-65
21939	4-5	25763	3-3	32613	2-65
21940	4-5	25765	3-4	32614	2-65
21941	4-5	25767	3-5	32669	2-65
21942	4-5	25769	3-29	32716	2-111
21943	4-5	25773	3-44	32984	2-9
21944	4-5	25775	3-41	32987	2-49
21945	4-5	25778	3-39	330710	3-44
21946	4-5	25781	3-40	33295	3-7
22140	2-43	25783	3-39, 3-40	33329	2-37
222460	2-51	25791	2-113	33333	2-37
22290	2-17	25792	2-103	33373	2-111
223054	2-109	25793	2-99	33580	4-7, 4-9
22308	2-41	25794	2-9	33948	2-109
22604	2-49, 4-9	25797	2-101	33951	2-27, 2-29
22654	4-11	25804	2-111	34178	4-7, 4-9
22731	2-53	25806	2-41	34179	4-7, 4-9
22786	3-13	25812	4-23, 4-25	34355	2-73
22790	4-29, 4-31	25817	2-116	34359	2-49, 2-109, 3-21, 3-23
23156	2-31	25818	2-63	34379	2-73
23282	4-29, 4-31, 4-33	25819	2-111	34805-S8	5-7, 5-11
23283	4-29, 4-31, 4-33	25820	2-5	353055-S7	5-5
23285	4-29, 4-31, 4-33	25821	2-57	35586	2-75
23456	3-39, 3-40	25822	3-13	357966-S	5-7
23498	2-63	25858	4-19, 4-21	36050	2-2, 2-27
23788	2-53, 2-97, 2-101	26395-1	2-55	36253	5-18
24012	2-37	26431	5-15	36254	5-18
24013	2-23	26496	2-41	36257	5-9, 5-13
24047	2-41	27048	2-31, 2-41	36259	5-9
24174	2-65	27920	2-21	36263	5-5
24196	2-11	30013	2-37, 2-43	36264	5-5
24199	3-13	30268	3-7	36267	5-5
24299	2-3	30305	2-27, 2-29	36268	5-5
24339	2-49	30316	2-23	36272	5-5
24358	2-63, 2-65, 3-13, 4-31, 4-33	30327	5-12	36273	5-5
24450	3-7	30407	2-21, 2-25	36274	5-5
24555	2-113	30468	2-23	36275	5-5
24924	2-27	30533	3-32	36276	5-5
24928-1	2-41	30550	2-23	36278	5-5
25312	3-30	30553	2-35	36279	5-3
25611	3-19	30559	2-45	36281	5-3
25620	3-19	31258	2-47	36297	5-3
25673	2-13	31354	4-10, 4-11, 4-13	36298	5-3
25677	2-15	31375	4-13	36300	5-3
25678	2-9	31379	4-13	36307	5-3
25684	2-93	31383	4-13	36315	5-3
25686	2-97, 2-101	31524	2-33	36318	5-3
25689	2-101	31526	2-35	36319	5-3
25709	2-99, 2-103	31543	2-27, 2-31	36321	5-3
25714	2-105	31596	3-25, 3-27	36322	5-8
25719	2-99	31598	3-25, 3-27	36324	5-3
25730	2-99, 2-103	31599	2-79	36325	5-3
25733	2-103	31610	2-73	36330	5-3
25735	2-111	31613	2-79	36331	5-3
		31755	2-43		

CROSS REFERENCE

Part Number	Page Number	Part Number	Page Number	Part Number	Page Number
36332	5-13	36845	3-17	374648	2-31
36337	5-13	36867	5-11	374649	2-31
36338	5-13	36881	5-11	374666	5-17
36339	5-13, 5-15	36904	5-11	374667	5-17
36340	5-7	36923	5-11	374668	5-17
36342	5-7	36924	5-11	374669	5-17
36343	5-7	369320	4-33	374670	5-17
36344	5-7	369704	2-21	374671	5-17
36345	5-7	369781	2-51	374672	5-17
36348	5-7	369803	2-35	374676	2-37
36349	5-7	369804	2-35	374677	2-37
36372	5-7	369805	2-35	374688	3-37
36373	5-7, 5-11	369810	2-9	374689	3-37
36374	5-7	369811	3-11	374691	2-37
36375	5-7	369816	3-19, 4-11	375014	3-39, 3-40
36381	5-7	369845	2-81	375200	2-63, 2-65, 3-13, 4-29, 4-31, 4-33
36382	5-7	369850	2-59, 3-19	375201	3-39, 3-40
36383	5-7	369891	2-9	375322	3-7
36384	5-7	369897	2-111	375412	2-27, 2-29
36389	5-7	36996	2-81	375413	2-27, 2-29
36390	5-7	37053	5-11	375414	2-27, 2-29
36402	5-7	37098	5-11	37555	4-10, 4-11, 4-13
36405	5-7	37099	5-11	37616	4-7, 4-9
36406	5-7	37127	5-11	37693	5-7
36407	5-7	37157	5-11	37694	5-7
36408	5-7	37181	5-9, 5-15	37756	4-7, 4-9
36409	5-7	37189	5-15	37766	4-7, 4-9
36410	5-8	37193	5-15	378952	2-99, 2-103
36411	5-8	37194	5-12	379005	3-9, 4-31
36412	5-8	37195	5-12	379030	2-93
36413	5-8	37196	5-12	38242	5-7
36414	5-8	37198	5-12	382516	2-21
36415	5-8	37199	5-12	38255	4-7, 4-9
36416	5-8	37306	5-7	382726	2-27, 2-29
36418	5-8	37307	5-7	388134	2-9
36419	5-9	37312	5-9	38968	4-7, 4-9
36421	5-9	37313	5-3, 5-5	38978	3-44
36422	5-9	37316	5-7	39019	2-99, 2-103
36423	5-9	37317	5-7	39025	5-17
36424	5-9	37321	5-9	39026	5-17
36430	5-9	37327	2-23, 5-15	39038	5-17
36431	5-9, 5-11, 5-15	37337	5-7	39040	5-17
36432	5-9	37343	5-9	39041	5-17
36433	5-9	37403	5-11	39042	5-17
36445	5-9	374127	2-27, 2-29	39043	5-17
36454	5-9	374513	2-25	39044	5-17
36463	5-9	374516	2-35	39045	5-17
36467	5-9	374532	2-31	39046	2-2, 5-17
36469	5-9	374560	2-49	39047	5-13
36483	5-9	374562	2-49	391803	2-13
364845	2-33	374566	2-49	391804	2-99, 2-105
36493	5-9	374604	3-35	391849	2-103
36542	2-95	374605	3-35	39210	2-97
36590	5-9	374607	3-36	392525	2-25
36591	5-19	374608	3-36	39272	2-47
36630	5-19	374618	3-39, 3-40	39277	2-35, 2-37
36646	5-19	374625	2-27, 2-29	39350	2-97, 2-101
36748	5-11	374632	5-5	39527	4-13
36764	5-11	374637	2-27	39780-1	2-27, 2-29
36765	5-11	374638	2-27	398509	2-90
36780	5-11	374639	2-27		

CROSS REFERENCE

Part Number	Page Number	Part Number	Page Number	Part Number	Page Number
398525	2-63	49943	2-73	55586	2-97, 3-21, 3-23
398527	3-7	50238	2-63, 3-7	55691	2-73
40362	2-79	50256	2-63, 3-7	55700	2-73
40607	2-31	50269	2-93	55763	2-23
40678	2-21, 2-59, 2-61, 2-105	50270	2-101	55859	2-25
41128	2-9	50304	3-41	55941	4-3
41130	2-57	50544	2-59	56077	2-93
41178	2-9	50960	3-17	56078	2-101
41185	2-45	51109	2-53	56088	2-97
41186	2-9, 2-13, 2-15, 2-57	51176	2-25	56096	2-93
41421	2-65	51305	2-43	56100	2-97
41451	2-65	51322	2-81	56103	2-93
41454	2-65	51338	2-49, 2-51, 3-35, 3-36, 3-37	56113	2-101
41619	2-7, 2-105, 3-17	51339	2-49, 2-51	56136	2-93
42133A	2-59	51534	2-109	56137	2-93
42215	2-75, 3-21, 3-23	51560-3	2-33	56139	2-93
42223	2-49, 2-75	51787	2-15, 3-41	56148	2-95
42226	2-79	51839	2-31	56149	2-95
42260	2-77, 2-79, 2-81	51839	2-31	56166	2-97
42361	5-9	52386	4-3	56167	2-93
43844	2-23, 2-27, 2-29, 2-39, 2-59	52402	2-45, 2-75	56185	2-17
43952	2-81	52405	4-7, 4-9	56186	2-21
44078	2-21	52424	2-31	56346	2-19
44681-1	3-3, 3-5	52484	5-13	56398	2-17
44681-2	3-3, 3-5	52488	5-19	56553	2-59
44681	3-3, 3-5	53029	2-29, 2-39	56555	2-73
44868	2-77, 2-97	53076	2-75	56690	2-17, 2-77, 2-79, 3-21, 3-23
44869	2-75, 2-77, 2-97, 3-21	53091	2-15	56692	2-57, 2-75
44906	2-99, 2-103	53268	2-31	56820	2-49, 3-21, 3-23
44961	2-57, 3-17	53400-1	2-41	56821	2-57, 3-19
45272	3-4, 3-5	53400-4	2-41	56976A	2-41
45482	3-21, 3-23	53466	2-5, 2-59, 3-17, 3-19	57220	3-2, 3-3
45487-6	3-19	53782	2-105	57224	3-19
45622	4-7, 4-9	53783	2-33	57297	2-41
45623	4-7, 4-9	53845	3-33	57315	2-49
45628	4-10, 4-11, 4-13	53963A	2-55	57564	3-19
45779	3-2, 3-3, 3-4, 3-5	54017	2-75	57751	2-21
45780	2-5	54051	2-49	57754	2-25
46481	2-81	54052	2-49	57755	2-25
46563	2-53	54087	2-49	57773	2-25
46983	2-61	54096	2-109, 3-17	57779	2-47
47313A	2-27	54274	2-37, 2-43, 2-45, 2-55, 2-57, 2-77, 2-79, 3-21, 3-23	57803	2-21
47512	2-45, 2-75	54275A	2-57	57807	2-21
47522	3-21, 3-23	54333	2-27, 2-39, 2-59, 3-13, 3-19	57876	3-43
47585	2-17	54338-2	3-15	57897	4-3
47744	2-11	54390	2-51	57934	2-27
47801	2-49	54400	2-51	57964	2-73
48079	2-95	54437	2-51	57988	2-97
48126	2-39	54567	2-51	58114	2-2, 2-57
48183	2-93	54577	2-51	58120	2-2, 2-33
48267	2-39	54607	2-53	58121	3-43
48697	3-7	54615	2-9	58323	2-35
48734	3-39, 3-40	54618	2-101	58346	2-33
48988	3-7	54911-16	2-25	58366	2-43, 2-81
49266	2-55, 3-2, 3-3, 3-4, 3-5	54911-25	2-23	58494	2-15
49800	2-81, 3-42	55035	2-65	58518	3-2, 3-4
49883	2-35	55195	2-27, 2-29	58519	3-2, 3-4
		55248	3-2, 3-3	58520	3-2, 3-4
				58538	2-33
				58589	2-41

CROSS REFERENCE

Part Number	Page Number	Part Number	Page Number	Part Number	Page Number
58590	2-41	63292	2-55	71100	2-111
58592	2-23	63430	3-41	71101	2-109
58677	2-97, 2-101	63448	3-41	71102	2-2, 2-107
58819	2-9	63451	3-41	71104	2-109
58842	2-49	63468	2-111	71106	2-105
58846	2-27	63469-3	2-11	71113	2-111
58979	2-53	63810	2-29, 2-31	71115	2-107
59009	2-53	63923	4-35	71117	2-115
59015	2-39	64173	2-99, 2-103	71121	2-105
59156	2-111, 3-17	64425	2-2, 2-99, 2-103, 2-109, 2-111, 2-115	71123	2-115
59192	2-7, 2-11, 2-15, 2-105	64595	2-15	71124	2-115
59194	2-7, 2-105	64651	2-17	71126	2-115
59195	2-7	65145-1	2-75	71166	2-97
59393	2-107	65221	2-2, 2-81	71168	3-9
59447	3-2, 3-3	65230	4-10, 4-11	71169	2-47
59514	2-15	65240	4-19, 4-21, 4-23, 4-25	71170	2-3
59561	2-73	65241	4-13	71171	2-3
59567	2-73	65441	2-55	71172	2-17
59581	3-25, 3-27	65527	2-31	71173	2-17
59633	3-17	65587	3-19	71199	2-113
59668	2-55	65869-1	2-2	71200	2-2, 2-95
59672	2-55	66211	2-51	71201	2-95
59808	2-31	66213	2-51	71202	2-115
59809	2-31	67004	3-41	71204	2-111
59900	3-7	67767	2-21, 2-41, 3-13	71205	2-11
59901	3-7	67811	2-75	71209	2-115
59935	2-27, 2-29	68866	2-55	71210	2-111
59962	3-15	68872	2-47	71211	2-111
59971	2-19	68873	2-47	71235	2-2, 2-63
59976	2-19	69173	2-77	71236	2-63
59977	2-19	69234	2-21, 2-47	71238	2-11
60281	2-90	69462	2-51	71242	2-111
60288	3-2, 3-3	69582	2-99, 2-103	71243	2-11
60559	2-35	69657	3-41	71244	2-111
61490	4-10, 4-13	69659	3-41	71245	2-111, 2-115
61527	5-9	69784	2-61, 3-9, 3-11	71248	2-111
61529	2-35	69906	2-15	71251	2-105
61531	2-35	70006	2-79	71254	2-113
61538	5-3	70096	4-3	71255	2-2, 2-113
61540	5-7	70097	4-3	71256	2-2, 2-113
61545	5-8	70098	4-3	71257	2-111
61546	5-9	70099	4-3	71260	2-107
61547	5-9	70100	4-3	71261	2-105
61548	5-9	70103	4-3	71263	2-105
61549	5-9	70158	2-51	71274	2-115
61550	5-9	70160	2-35	71287	2-45
61551	5-9	70161	2-51	71289	2-5
61552	5-9	70173	2-39	71322	2-7
61556	5-12	70239	2-25	71328	2-15
61891	4-3	70262	2-25	71330	2-7
61920	3-15	70263	2-25	71339	2-49
61931	2-35	70622	2-17	71340	2-49
62100	2-73	70623	2-17	71341	2-49
63147	3-17	70629	2-17	71344	2-49
63175-1	3-17	70709	2-17	71345	2-49
63182-5	3-13	70717	2-17	71353	3-38
63233	2-109, 3-17	71082	2-107	71354	3-38
63234	3-17	71083	2-105	71355	3-28
63244-3	2-59	71084	2-105	71357	3-38
63282	2-93	71090	2-115	71360	2-53
				71361	2-51

CROSS REFERENCE

Part Number	Page Number	Part Number	Page Number	Part Number	Page Number
71367	2-53	71681	2-55	71911	2-81
71369	2-51	71682	2-55	71913	2-43
71372	2-51	71702	2-79	71914	2-43
71373	2-51	71705	2-77, 4-19	71916	2-43
71375	2-107	71708	3-21, 3-23, 4-27	71917	2-43
71403	2-39	71713	2-17, 4-15	71918	2-43
71407	2-37	71716	2-75, 4-5	71926	2-5
71409	2-77	71719	2-45, 4-17	71927	2-13
71416	2-39	71720	2-75, 4-3	71929	2-15
71418	2-33	71721	2-75	71931	2-13
71425	2-31	71722	3-19, 4-10	71934	2-15
71427	2-39	71723	2-75	71939	2-15
71430	2-39	71724	2-49, 4-7	71941	2-11
71432	2-39	71726	2-79	71947	2-43
71436	2-29	71727	2-77, 3-21, 3-23	71948	2-43
71437	2-27, 2-29	71728	2-79	71949	2-43
71444	2-29	71729	2-97, 4-13	71950	2-43
71446	2-23	71733	2-73	71961	2-5
71447	2-23	71735	2-73	71962	2-9
71450	2-2	71736	2-73	71963	2-9
71451	2-2	71737	2-73	71970	2-43
71454	2-39	71738	2-73	71980	2-9
71459	2-90	71739	2-73	71982	2-59
71477	3-33	71740	2-73	72025-S7	5-7
71480	2-45	71741	2-73	72432-S	5-11
71482	2-45	71742	2-73	72926	2-49
71484	2-45	71743	2-73	72970	2-9, 2-17, 2-21, 2-33
71485	2-37	71744	2-73	72977	2-47
71486	2-37	71745	2-73	73017	2-29
71487	2-9	71747	3-25, 3-27	73020	2-31
71488	2-33	71748	3-25, 3-27	73027	2-17
71491	2-116	71751	3-25, 3-27	73061	2-17
71499	2-116	71754	2-73	73112	2-57, 4-16
71543	3-4, 3-5	71756	3-25, 3-27	73145	2-63, 3-7
71593	2-19	71757	3-25, 3-27	73260	3-13, 4-35
71594	2-19	71760	3-21, 3-23, 4-21	73281	2-49
71595	2-19	71761	2-77, 4-23	73342	2-61, 4-29, 4-31, 4-33
71606	2-5	71762	3-21, 3-23, 4-25	73411	2-55
71607	2-99, 2-103	71786	2-59	73430	2-75, 4-34
71608	2-99, 2-103	71787	2-9	73433	3-7
71610	2-97	71790	2-9	73445	2-90, 3-19
71611	2-101	71793	2-59	73468	3-7
71612	2-3	71796	2-53	73472	3-7
71613	2-11	71808	3-19	73478	3-7
71614	2-59	71815	3-17	74094	4-10, 4-11, 4-13
71625	2-90	71825	3-19	74095	4-13
71628	3-7	71832	3-17	74098	4-7, 4-9, 4-13, 4-19, 4-21, 4-23, 4-25, 4-27
71630	2-95	71839	2-2, 3-19	74099	4-13, 4-19, 4-23
71645	3-4, 3-5	71855	3-17	74100	4-10, 4-11, 4-13
71648	3-15	71860	3-17	74122	4-7, 4-9
71649	3-15	71863	3-17	74123	4-7, 4-9
71651	3-15	71866	3-17	74125	4-7, 4-9
71652	3-15	71868	3-17	74137	4-7, 4-9
71653	3-15	71869	3-17	74165	4-9
71654	2-11	71870	3-17	74166	4-7, 4-9
71658	2-109	71874	3-17	74167	4-9
71665	2-21	71886	2-5	74168	4-7, 4-9
71676	2-55	71887	3-7	74171	4-7, 4-9
71677	2-55	71888	3-7		
71678	2-55	71891	2-9		
71680	2-55	71898	2-15		

CROSS REFERENCE

Part Number	Page Number	Part Number	Page Number	Part Number	Page Number
74175	4-10, 4-11	78740	2-61	84597	3-34
74177	4-10, 4-11	78785	2-55	84604	2-25
74178	4-10, 4-11	78829	4-29, 4-31, 4-33	84641	2-29
74180	4-3	78830	4-29, 4-31	84989	5-12
74183	4-15	78833	4-29, 4-31, 4-33	85425	3-44
74185	4-15	78836	4-29, 4-31, 4-33	86041	2-35
74192	4-15	78839	4-29, 4-31, 4-33	86330	3-2, 3-3
74193	4-15	78840	2-61, 4-29, 4-31, 4-33	86332	3-2, 3-3
74196	4-15			86333	3-4, 3-5
74222	4-15	78841	4-29, 4-31, 4-33	86575	4-29
74225	4-3	78842	4-29, 4-31, 4-33	86591	2-61, 2-63
74226	4-3	78843	4-29, 4-31, 4-33	86636	2-63, 3-13
74229	4-3	78875	4-35	86751	2-53
74230	4-3	78882	3-42	86755	2-61
74231	4-15	79219	2-113	86759	2-99, 2-103, 3-19
74232	4-15	79273-1	2-59	86780	2-93
74233	4-16, 4-17	79320	2-65	86781	2-93
74237	4-3	79380	2-57	86824	2-27, 3-7, 3-11
74243	4-15	79381	2-43	86859	2-2, 2-99, 2-103
74244	4-15	79399	2-23	86860	2-99, 2-103
74245	4-15	79422	2-31	86865	2-99, 2-103
74248	4-3	79710	4-34	86866	2-55
74249	4-7, 4-9	79711	4-19, 4-21, 4-23, 4-25, 4-27	86BM-6617-AA	5-11
74250	4-10, 4-11, 4-13			86BM-6675-AA	5-11
74402	2-29	79712	4-34	86BM-6K318-AA	5-9
74443	2-27, 2-29	79713	4-34	86HM-6701-AIA	5-9
74469	4-3	79714	4-34	87536	2-21
75050	2-2, 2-115	79715	4-34	87742	2-9
75147	2-51	79719	4-19, 4-21, 4-23, 4-25	87866	2-21
75272	2-9			87AB-2A411-BA	5-12
75305	2-55	79728	4-19, 4-21, 4-23, 4-25, 4-27	87AB-9H490-AA	5-12
75375	2-57			87YF-12405-AB	5-17
75456-3	2-57	79731	4-19, 4-21, 4-23, 4-25, 4-27	88BM-6A557-AA	5-7
75456-4	2-57			88BX-6008-BA	5-18
75611	2-61, 2-63	79739	4-19, 4-21, 4-23, 4-25	88BX-6014-BA	5-18
75635	3-39, 3-40			88WM-6518-AA	5-3
75809	5-9	79740	4-19, 4-21, 4-23, 4-25, 4-27	88WM-6571-BB	5-3
75817	5-9			89BF-12024-A1B	5-17
75968	2-17	79826	4-7	89BF-12283-AD	5-17
76589-2	2-23	79827	4-7	89BF-12284-AD	5-17
76943	2-2, 2-115	79828	4-7, 4-9	89BF-12286-AD	5-17
77097	2-45, 2-57, 2-77, 2-93, 2-109, 3-17, 3-21, 3-23	81952	2-115	89BF-12287-AC	5-17
		82063	3-2, 3-4	89BF-12297-AA	5-17
77098	3-17	82200	3-3, 3-5	89BF-9424-AD	5-12
77235	2-9	82510	2-39	89BM-6010-FA	5-5
77237	3-9	82731	2-35	89BM-6011-DA	5-5
77306	2-73	82817	2-73	89BM-6019-AA	5-13
77322	3-41	82825	3-21, 3-23	89BM-6020-AA	5-13
77345	2-49	82830	3-17	89BM-6049-DD	5-3
77347	2-81, 2-99, 2-103, 2-111	82839	2-55	89BM-6051-C2B	5-3
		83578	2-27	89BM-6055-BA	5-5
77488	2-109	83580	2-27	89BM-6056-A1G	5-3
77BF-9K442-AA	5-12	83682	2-27, 2-29	89BM-6057-A2E	5-3
77BM-6256-AA	5-7	83684	2-27, 2-29	89BM-6065-DA	5-3
77BM-6531-BB	5-7	83685	2-27, 2-29	89BM-6102-DA	5-9
77BM-6584-CA	5-3	83849	2-27, 2-29	89BM-6102-EA	5-9
77BM-6598-AB	5-7	83887	2-55	89BM-6102-FA	5-9
77BM-6K255-AC	5-7	83BM-6700-A4A	5-9, 5-13	89BM-6148-DA	5-9
78122	2-41	84170	2-55	89BM-6148-EA	5-9
78398	4-29, 4-31	84579	2-37	89BM-6148-FA	5-9
		84588	2-25	89BM-6200-AD	5-9

CROSS REFERENCE

Part Number	Page Number
89BM-6211-AA	. 5-9
89BM-6211-BA	. 5-9
89BM-6211-CA	. 5-9
89BM-6211-DA	. 5-9
89BM-6211-EA	. 5-9
89BM-6214-DB	. 5-9
89BM-6251-BA	. 5-7
89BM-6303-DA	. 5-8
89BM-6312-AA	. 5-9
89BM-6331-AA	. 5-8
89BM-6331-BA	. 5-9
89BM-6331-CA	. 5-9
89BM-6331-DA	. 5-9
89BM-6331-EA	. 5-9
89BM-6331-FA	. 5-9
89BM-6331-GA	. 5-9
89BM-6331-HA	. 5-9
89BM-6333-AA	. 5-8
89BM-6333-BA	. 5-8
89BM-6333-CA	. 5-8
89BM-6333-DA	. 5-8
89BM-6333-EA	. 5-8
89BM-6333-FA	. 5-8
89BM-6333-GA	. 5-8
89BM-6333-HA	. 5-8
89BM-6344-BA	. 5-9
89BM-6375-BA	. 5-19
89BM-6500-AA	. 5-7
89BM-6505-CA	. 5-3
89BM-6507-BA	. 5-3
89BM-6513-AA	. 5-3
89BM-6529-AB	. 5-7
89BM-6565-AA	. 5-7
89BM-6582-AA	. 5-3
89BM-6659-AA	. 5-11
89BM-6784-AA	. 5-11
89BM-6A341-AA	5-9
89BM-6A341-BA	5-9
89BM-6A536-AA	5-3
89BM-6K340-AA	5-9
89BM-6K528-AB	5-7
89BM-8507-AA	. 5-15
89BM-9441-AB	. 5-12
89BM-9448-BA	. 5-12
92BM-6750-AA	. 5-11
92BX-8591-AA	. 5-15
94877 2-93
988F-12029-AC	5-17
98BF-12257-AA	5-17
98BF-12283-DA	5-17
98BF-12284-DA	5-17
98BF-12286-DA	5-17
98BF-12287-DA	5-17

PART DESCRIPTION TO PAGE NUMBER CROSS REFERENCE LIST

Symbols

.040 Plug, Orifice, 4-19, 4-21, 4-23, 4-25
.047 Plug, Orifice, 4-27

A

Actuator, Mag, 4-34
Actuator, Rh, 2-27, 2-29
Adapter, Vacuum, 5-12
Adapter, 5-5
Adaptor, Elbow, Carb, Gas, 2-27
Adaptor, Rod-End, S Br, 3-17
Air Cleaner, 2-33
Alternator, 50A/12V Mando, 2-35
Angle, Battery, 2-47
Angle, Cable Keeper, 2-51
Angle, Muffler Hanger, 2-37
Angle, Trim, 2-9
Arm Alternator, 2-35
Arm Assy, Link, 3-17
Arm Wldt, Propel, 2-55
Arm, Brush, Mach, Lh, 2-97
Arm, Brush, Mach, Rh, 2-101
Arm, Lift, Squeegee, 2-99, 2-103
Arm, Linkage, L.H., 2-115
Arm, Linkage, R.H., 2-115
Arm, Propel, Lower, 2-55
Arm, Sq Lift, 2-99, 2-103
Arm, Tensioner, 5-7
Arm, Valve Rocker, Left, With Screw, 5-7
Arm, Valve Rocker, Right, With Screw, 5-7
Armrest Assy,Rh, 3-33
Armrest, Molded, 2-9

B

Backflush,Cover Lid, 4-33
Backplate Assy, 4-3
Baljoint, 3/8-24, 2-111
Ball Joint .375-24 Quick/Disc, 2-93
Ball Joint, 250-28, 2-55
Ball, 4-7, 4-9
Battery, 12V, Cc Amps:475 Wet, 2-47
Bearing Cam, 4-3
Bearing Kit, Idler, 2-101
Bearing Kit, 4-15
Bearing, .625B X .38, 2-99, 2-103
Bearing, Brake, 2-53
Bearing, Connecting Rod, 0.001 US, 5-9
Bearing, Connecting Rod, 0.010 US, 5-9
Bearing, Connecting Rod, 0.020 US, 5-9
Bearing, Connecting Rod, 0.030 US, 5-9
Bearing, Connecting Rod, Std, 5-9
Bearing, Cup, 2.56Dia 0.55W, 3-35, 3-36, 3-37
Bearing, Fiberglide, 2-111
Bearing, Flange .500B, 2-17
Bearing, Flange .625B X .50, 2-99, 2-103
Bearing, Flange .625Bx .38, 2-111

Bearing, Flange, 1.00 Bore, 2-101
Bearing, Flange, 2-97
Bearing, Nylon, 2-93
Bearing, Sleeve 0.50B 0.59D 0.50L, 3-17
Bearing, Sleeve,1ldx1.12Odx1.5, 3-17
Bearing, Snap-In .38 Id, 2-11
Bearing, Std ID + 0.020 OD, 5-7
Bearing, Std ID - Std OD, 5-7
Bearing, Thrust .500, 2-99, 2-103
Bearing, Thrust - Fiberglide, 3-17
Bearing, Thrust, 11D X 1.75 Od, 3-17
Bearing, Thrust, 2-109, 4-3
Bearing,.50X.38, 2-99, 2-103
Bearing,Ball.669B 1.575D .472W, 2-35
Bearing-Cone, 1.38Bore 0.71Wth, 2-49, 2-51
Bearing-Cup , 2.56Dia 0.55Wth, 2-51
Bearing-Cup , 2.56Dia 0.55Wth, 2-49
Bearing-Flange,2 Hole 0.50Bore, 2-17
Bearing-Sleeve 0.50B 0.59D 0.50L, 2-109
Bearing-Thrust 0.75B 1.25D .06W, 2-105
Bearing-Thrust, 1.031 Dia, 2-97, 2-101
Bellcrank Wldt, 2-109
Bellows Kit, 4-35
Bellows, .75 Id 10.3L, 2-63, 3-7
Belt, Seat, 3-32
Belt, V Hc41X 32.5L, 2-35
Belt, V Hc41X 33, 2-35
Blade, Squeegee, Front, 2-2, 2-113, 3-38
Blade, Squeegee, Rear, Urethan, 3-38
Blade, Squeegee, Rear, 2-2, 2-113
Block, Centering, 2-111
Block, Cylinder, With Crank, Pistons, Rings, etc., 5-5
Block, Cylinder, 5-5
Block, 2-115
Bolt, Axle W/Zerk, 2-2, 2-115
Bolt, Connecting Rod, 5-9
Bolt, Cylinder Head, 5-3
Bolt, M10 x 22.5, Flywheel to Crankshaft, 5-19
Bolt, M6 x 14, Oil Pan, 5-11
Bolt, M6 x 16, Tensioner to Block, 5-7
Bolt, M6 x 18, Front Cover to Block, 5-13
Bolt, M6 x 40, Front Cover and W/P to Block, 5-15
Bolt, M6 x 40, Front Cover to Block, 5-13
Bolt, M6 x 45, Front Cover to Block, 5-13
Bolt, M6 x 55, Tensioner to Block, 5-7
Bolt, M8 x 16, 5-7
Bolt, M8 x 20, 5-9, 5-15
Bolt, M8 x 25, 5-12
Bolt, Main Bearing Cap, 5-5
Bolt, Pulley to Crankshaft, M12 x 32, 5-9
Bolt, Rocker Support, 5-7
Bolt,Hold Down,Battery, 7.5 Lg, 2-47
Bolt-Eye, .25-20Th .25B 1.4L, 2-95
Bolt-Eye, .38-16Th .28B 3.22L, 2-111
Bolt, 2-23, 4-5, 4-7, 4-9, 5-11
Boot, 90Deg .50D .57X .84, 2-25

Boot, Switch, 2-21
Boot,Batt.Term. 1-2Ga. Red, 2-47
Boot,Batt.Term.1-2Ga. Black, 2-47
Boot,Circuit Breaker, 2-21
Bracket Assy, Lpg Tank W/Label, 2-41
Bracket Spring Retainer, 2-3
Bracket Tie Down, 3-42
Bracket Wldt, Backup Alarm, 3-15
Bracket Wldt, Caster, Adj., 2-115
Bracket Wldt, Engine, 2-25
Bracket Wldt, Hinge, Lh, 2-15
Bracket Wldt, Hinge, Rh, 2-15
Bracket Wldt, Hinge, 2-13
Bracket Wldt, Mounting, Cyl, 3-17
Bracket Wldt, Rot Light, 3-4, 3-5
Bracket Wldt, Sq Main, 2-111
Bracket Wldt, Sq Secondary, 2-111
Bracket Wldt, Steering, Tilt, 2-17
Bracket, Brake, 2-53
Bracket, Caster Lock, 2-115
Bracket, Coil Mount, 5-17
Bracket, Cover, 2-105
Bracket, Cylinder, 2-93
Bracket, Discharge, 2-87
Bracket, Filter, 2-107
Bracket, Latch, 2-13
Bracket, Mountin, Radiator, 2-43
Bracket, Mounting Motor, 2-57
Bracket, Mounting, Air Cleaner, 2-33
Bracket, Mounting, Eng,Rear,Lh, 2-25
Bracket, Mounting, Fan, 2-57
Bracket, Mounting, Light, Ohg, 3-2, 3-3
Bracket, Mounting, Radiator, 2-43
Bracket, Mounting, Tank, 3-13
Bracket, Mounting, Vaporizer, 2-31
Bracket, Mounting,Eng, Rear Rh, 2-25
Bracket, Mounting, 2-5
Bracket, Mtg, Fan, 2-45
Bracket, Mtg, Flow Switch, 2-75
Bracket, Mtg, Tank, 2-63, 3-13
Bracket, Mtg, Valve, 2-77
Bracket, Mtg, 2-5
Bracket, Muffler, Shield, 2-37
Bracket, Pin, 2-11
Bracket, Propel, Adjustment, 2-55
Bracket, Propel, 2-55
Bracket, Retainer, 2-55
Bracket, Safety Clip, 2-55
Bracket, Sensor, Map, 2-27, 2-29
Bracket, Shield, 2-37
Bracket, Sol Control, Sb, 3-19
Bracket, Sol Control, 2-59
Bracket, Solenoid Valve, 4-33
Bracket, Sqge, Rh, 2-103
Bracket, Squeegee, Lh, 2-99
Bracket, Stop, 2-111
Bracket, Switch, 3-15
Bracket, Tiedown, Seat, 3-42
Bracket, Wheel, Tray, 2-105
Bracket, 2-27, 2-29
Brake Assy, 2-51

CROSS REFERENCE

Brake Repair Kit, 2-51
Brake Shoe (Need 2), 2-51
Breaker-Circuit, 15A Resetable, 2-21
Breaker-Circuit, 5A Resetable, 2-21
Brush Kit, 2-35, 4-29, 4-31
Brush-Disk Scr 16 D-Assy-Nyl, 2-3
Brush-Disk Scr 16 D-Assy-S Ab, 2-3
Brush-Disk Scr-16 D-Assy-Stfp, 2-3
Brush-Scrub Spl 45Lg-24Sr-Poly, 2-3
Brush-Scrub Spl-45Lg-24Sr-Nyl, 2-3
Brush-Scrub Spl-45Lg-24Sr-S Ab, 2-3
Bshg,Sleeve,0.37Bx0.50Odx0.50L, 2-53
Bulb, 12V .2A 32Cp #1156, 3-2, 3-3, 3-4, 3-5
Bulb, 12V .5A 4Cp #1157, 2-5
Bumper Kit, Squeegee, 2-2, 2-113
Bumper Wldt, S Br, 3-17
Bumper, Rubber, 2-9, 2-13, 2-15, 3-41
Bumper, Squeegee, 2-113
Bushing, Spanner - Special 550, 2-2, 2-115
Button, Plug, 2-65

C

Cable Assy,Choke 67.00Lg, 2-27
Cable, Battery Pos 4Ga. 38L, 2-47
Cable, Brake, Service, 2-51
Cable, Hood, 2-11
Cable, Push-Pull, 2-55
Cable, Sq Lift, Metric, 2-109
Cabletie Mount, Adhesive, 3-2, 3-3
Cam, Front, 2-113
Cam, Rear, 2-113
Camplate, 4-3
Camshaft, 5-7
Cap Assy, Pos Drain, 3-39, 3-40
Cap Assy, Tank, 4-31
Cap Assy,Tank, 2-63
Cap Drain, 2-65
Cap Radiator, 2-43
Cap Screw, 4-13
Cap Tank, 2-65, 3-13
Cap, Drain Hose, 2-65
Cap, Drain, 3-39, 3-40, 4-29
Cap, End, 4-10, 4-11, 4-15
Cap, Fill, Oil/PCV Breather, 2-23
Cap, Fuel, Protectoseal, 3-31
Cap, Fuel, 2-39
Cap, Hub, 2-51
Cap, Hyd, Breather 40Mic 7.0Ds, 2-79
Cap, Neoprene, Black, 2-59, 2-111
Cap, Plate, 2-61
Cap, Tank, 4-33
Carb Repair Kit, 2-27
Carburetor, Lpg W/Gasket, 2-29
Carburetor, Zenith, 2-27
Cart, Check Vlv, 4-34
Cart, Psi Control, 4-27
Cart, Psi, 4-19, 4-21, 4-23, 4-25, 4-27
Cart,Pilot Chk, 4-19, 4-21, 4-23, 4-25
Cart,Shuttle Chk, 4-27
Cartridge Repl Kit Std Brush, 4-19, 4-21

Cartridge Repl Kit, Nylon Brush, 4-23, 4-25
Caster Assy, Squeegee, Rear, 2-115
Caster, Squeegee, 2-111
Chain,Link#2/0,11Links,Zinc Pl, 2-93
Chain, 5-7
Channel Wldt, Fan Motor, 2-45
Channel Wldt, Mtg, S Br, 3-17
Channel, Stiffener, Lintel, 2-15
Check Valve Kit, 4-29, 4-31, 4-33
Clamp Assy, 2-33
Clamp Wormdrive, 1.25-2.00, 2-43
Clamp Wormdrive, 1.62-3.50, 2-61
Clamp Wormdrive, 3.75-4.62, 2-57
Clamp, Cable, Stil, 1.50 X 1.00W, 1H, 2-5
Clamp, Hose, Plastic, 3-9
Clamp, Hose, Wormdrive, 0.25-0.62d, 2-59
Clamp, Hose, Wormdrive, 0.31-0.88d, 2-27
Clamp, Hose, 2-65
Clamp, Muffler, Tube, 1.75 Dia, 2-37
Clamp, Wormdrive, 2-27, 2-29, 3-11
Clamp,Cable .44D .62Wide, 2-21
Clamp,Cable 1.25Dia 1.00W Neo, 2-43, 2-81
Clamp,Mounting,Cyclopac Aircl., 2-33
Clamp-Cable 1.50D 1.00W, 2-5
Clamp-Cable, 0.44D 0.62W Stil, 2-59, 2-61, 2-105
Clamp-Cable, 0.56Dia 0.38Wth, 2-55
Clamp-Cable, 1.00Dia. .62Wth, 2-21, 2-47
Clamp-Cable, 1.12Dia 0.38Wth, 2-59
Clamp-Cable, 1.50Dia 1.00W, 3-17
Clamp-Cable, 1.50Dia 1.00W, 3-19
Clamp-Cable, 1.50Dia. 1.00W, 2-59
Clamp-Cable,.69Dia. 62Wth, 2-21, 2-41, 3-13
Clamp-Conduit, 2 Slot 1.50Dia, 2-59
Clamp-Muffler,For 1.62 Od Tube, 2-37
Clamp-Wormdrive 0.50-1.06D, 2-27, 3-7
Clamp-Wormdrive, 0.25- 0.62D, 2-23, 2-39
Clamp-Wormdrive, 0.31- 0.88D, 2-39, 2-59, 3-13, 3-19
Clamp-Wormdrive, 0.56- 1.06D, 2-29, 2-31
Clamp-Wormdrive, 0.81- 1.50D, 2-59, 2-63, 2-107
Clamp-Wormdrive, 1.81- 2.75D, 2-33
Clamp-Wormdrive, 2.63- 4.50D, 2-63
Clamp-Wormdrive, 2-63
Clip Safety, 2-15
Clip, Keeper, Open, 2-21, 2-25
Clip, Push On .187 Dia, 2-15
Clip-Finger Grip, 3-41
Coil and Bracket Assembly, Ignition, 5-17
Coil, 12V, 4-19, 4-21, 4-23, 4-25, 4-27
Column, Pump, 4-29, 4-31
Column, Steering #2 10Lg Wire, 2-17
Column, 4-33
Control Assy, Ignition, 2-27, 2-29

Control Unit (Replaced by 374127), 2-27, 2-29
Cooler, Hyd, 2-81
Coupler, Female X Hose Shank, 3-39, 3-40
Coupler, Hyd Pump, 2-75
Coupling Assy, Flywheel, 2-25
Coupling, Quick Disc. Shwd, 2-41
Cover and Seal Assembly, Cylinder Front, 5-13
Cover Assy, Engine Top, 2-15
Cover Gasket, 2-2
Cover Kit, Solution Tank, 2-61
Cover Lid, 2-63, 3-13
Cover, Cleanout, 2-65
Cover, Filler Pocket, 2-15
Cover, Fuel Pump, 2-23
Cover, Insert, 2-65
Cover, Motor, 3-9
Cover, O-Ring, 4-3
Cover, Recovery Tank, 2-63
Cover, Rocker Arm, 5-3
Cover, Rocker Switch Seal, 2-21
Cover, Solution Tank, 2-61
Cover, Tray, 2-105
Cover, Trunion, 4-3
Cover, 4-3
Crank Replmt.Kit,Pump, 4-35
Crankshaft Assembly, 5-8
Cup Assy, 2-33
Cushion, Piston, 4-34
Cylinder Pin Kit, Sqge, 2-109
Cylinder, Hyd 1.5B 02.8S 2500, 2-93
Cylinder, Hyd 2.08 08.0S 2500, 2-49
Cylinder-Hyd2.0X4.0Da2500Psi, 2-109, 3-17

D

Dampner, Engine, 2-25
Deflector, Fan, 2-57
Demister Cover W/Label, 2-63
Detergent Tank W/Label, 3-13
Diode Assy, 2-90, 3-19
Distance Plate, 4-5
Door Wldt, Brush, Lh, 2-7
Door Wldt, Brush, Rh, 2-7
Door, Side, Engine, 2-13
Dowel Pin, Connecting Rod, 5-9
Dowel Pin, 4-5
Dowel, Cylinder Head to Block, 5-3
Dowel,Cyl.Block To Flywhl.Hsg., 2-25
Dowel, 5-7, 5-19
Drain Cock,.25Npt Wh#120 Angl, 2-43
Drive, 4-7, 4-9, 4-10, 4-11, 4-13, 4-15
Drum, Lift Cable, 2-109
Duct, Vinyl .40X.75X10.0 .25D, 3-2, 3-3
Duct, Vinyl .40X.75X26.0 .25D, 3-2, 3-3
Duct, Vinyl .40X.75X3.5 .25D, 3-4, 3-5

E

E-Ring, External .375 Dia, 2-113
 Element, Filter, 2-2, 2-81
 Element, Safety, 3-43
 End Cap, 4-13
 End Cover, 4-5
 Engine Assy, Ford, Vsg413 (See Engine Breakdown), 2-23
 Engine Gasket Kit, Complete, 5-18
 Engine Gasket Kit, Upper, 5-18
 Extinguisher Kit 7400, 3-30
 Extinguisher, Fire, 3-30

F

Fan, Pusher, 2-45
 Fan, Repair Kit, Reassembly, 2-2, 2-57
 Filter Assy, Spin-On, 2-81
 Filter Element, Air, 2-2, 2-33
 Filter Wldt, Tray, 2-107
 Filter, Engine Oil, Spin-On, 2-2, 2-23
 Filter, Engine Oil, 5-11
 Filter, Fuel, 2-2, 2-27
 Filter, Fuellockoff, Lpg, 2-31
 Filter, Solution, 3-11
 Fitting, Elbow Gr, 4-29, 4-31
 Fitting, Str Gr, 4-29, 4-31
 Fitting Assy, Sol Control, 2-59
 Fitting, Brass Drain Cock, 2-27
 Fitting, Bulkhead Fem,, 3-7
 Fitting, El 90Npt/Npt 04Pf-, 2-31, 2-41
 Fitting, Grease .12Nptf-Str, 2-101
 Fitting, Plastic E90 16Bm/12Pm, 2-59
 Fitting, Plastic Str 12Pf/16Pm, 2-61
 Fitting, Plastic Tee 12Bm/12Pm, 2-59
 Fitting, Plastic, Str, 3-7
 Fitting, Special, Carb, 2-29
 Fitting, Special, Y, Tank, 2-63
 Fitting-Barb, Strt 3/8 Id Hose, 3-13
 Fitting-Barb,90Deg,3/8 Id Hose, 3-13
 Fitting-Brs Str, 3-7
 Fitting-Brs, 3-7
 Fitting-Hyd E45, 2-79
 Fitting-Hyd E90, 2-77, 3-21, 3-23
 Fitting-Plastic E45 12Pf-12Pf, 3-9, 3-11
 Fitting-Pls E90, 3-7
 Fitting, 4-33
 Flange Kit, 4-5
 Flange Mounting, 4-10, 4-11, 4-13
 Flap,Containment, 2-57
 Flapper, Valve, 4-29, 4-31, 4-33
 Flasher Heavy Duty, 3-15
 Float Bottle, 2-63, 3-7
 Flywheel and Ring Gear Assembly, 5-19
 Frame Wldt, Main, 2-5
 Frame Wldt, Sq Lh, 2-99
 Frame Wldt, Sq Rh, 2-103
 Ftg Brs E90, 3-7
 Ftg Qkdisc, Male, 3-7
 Ftg, El90 Npt/02Pf-02Pm, 2-27
 Ftg, Grease.25-28Th Strt .63L, 2-49
 Ftg, Plastic Str Barb.25H/.50H, 3-19

Ftg,Brass Tee 04Pf- 04Pm- 04Pf, 2-31
 Ftg,Brass,St Bm03/Pm02, 2-31
 Ftg,Brs Tee Pf08 Pf Pf, 3-7
 Ftg,Bulkhead .25Npt Wh W21204, 2-41
 Ftg,Pipe,Nip.Blk1.25Ptx2.0Lg L, 2-23
 Ftg,Pipe,Nip.Close 0.50Pt.Blk, 3-7
 Ftg,Plstc .5Barb .5Pf, 4-29, 4-31
 Ftg,Plstc,Cplg,Barb.75Pt-.50Hs, 2-59
 Ftg,Plstc,Elb,Barb.75Pt-.50Hse, 2-59
 Ftg,Plstc,Nip. 0.75Ptx 1.68Lg, 2-61, 3-9, 3-11
 Ftg,Plstc,Tee,.75-.75-.75Pipe, 2-59
 Ftg-Brs E90 Bm05/Pm02, 2-29, 2-39
 Ftg-Brs E90 Bm10/Pm06, 2-31
 Ftg-Brs E90 lf05/Pm02, 2-39
 Ftg-Brs E90 Pm08/Sm08, 2-31
 Ftg-E45 Jm08/Om08, 2-79
 Ftg-El90 Npt/Npt S04Pf-04Pm, 2-31
 Ftg-Hyd Brass Npt/Npt 06Pm/06P, 2-31
 Ftg-Hyd E45 Jm04/Om04, 2-49, 2-109, 3-21, 3-23
 Ftg-Hyd E45 Jm06/Om06, 3-21, 3-23
 Ftg-Hyd E45 Jm10/Jf10, 2-75
 Ftg-Hyd E45 Pm02/Pf02, 2-23
 Ftg-Hyd E45, 2-75
 Ftg-Hyd E90 Pm04/Jm06, 2-31
 Ftg-Hyd E90 Jm04/Jf04, 2-97
 Ftg-Hyd E90 Jm04/Om04, 2-45, 2-57, 2-77, 2-93, 2-109, 3-17, 3-21, 3-23
 Ftg-Hyd E90 Jm06/Om04, 3-17
 Ftg-Hyd E90 Jm06/Om06, 2-49, 3-21, 3-23
 Ftg-Hyd E90 Jm06/Om08, 2-45, 2-75
 Ftg-Hyd E90 Jm08/Om08, 2-77, 2-97
 Ftg-Hyd E90 Jm08/Om10, 2-57, 3-19
 Ftg-Hyd E90 Jm10/Om12, 2-75
 Ftg-Hyd E90 Jm12/Om12, 2-81
 Ftg-Hyd E90 Special Pm06/Jm08, 2-29
 Ftg-Hyd Plg Om10, 2-79
 Ftg-Hyd Plg, 2-23
 Ftg-Hyd Rst Jm04/.063, 2-109
 Ftg-Hyd St Pm04/Pf02, 2-31
 Ftg-Hyd Str Jm04/Om04, 2-97, 3-21, 3-23
 Ftg-Hyd Str Jm06/Om04, 3-17
 Ftg-Hyd Str Jm06/Om06, 2-17, 2-77, 2-79, 3-21, 3-23
 Ftg-Hyd Str Jm06/Om08, 2-45, 2-75
 Ftg-Hyd Str Jm08/Om08, 2-75, 2-77, 2-97, 3-21
 Ftg-Hyd Str Jm08/Om10, 2-57, 2-75
 Ftg-Hyd Str Jm10/Om12, 2-49, 2-75
 Ftg-Hyd Str Jm12/Om12, 2-77, 2-79, 2-81
 Ftg-Hyd Str Jm20/Om16, 2-75
 Ftg-Hyd Str Metric, 2-23
 Ftg-Hyd Str Pm04/Pf02, 2-23
 Ftg-Hyd Tee Jm04Jmjf, 2-97
 Ftg-Hyd Tee Jm04Omjm, 2-79
 Ftg-Hyd Tee Jm06Jfjm, 2-75
 Ftg-Hyd Tee Jm06Jmjf, 2-75, 3-21, 3-23
 Ftg-Hyd Tee Jm08Jmjf, 3-21, 3-23
 Ftg-Plug Npt 02Pm Sq Hd, 2-39

Ftg-Plug Npt 12Pm Rd Hd Plstc., 2-61, 2-63
 Ftg-Tee Npt 04Pm- 04Pf- 04Pf, 2-41
 Fuelline, .375 Od, 2-31
 Fuelock Repair Kit, 2-31

G

Gasket - Thermostat Hsg, 2-23
 Gasket Cap, 2-65
 Gasket Lid, 2-65
 Gasket Set, Tank, 2-67
 Gasket, 2.7D 1.5B.12T 5/ 2.1Bc, 2-39
 Gasket, Carb To Engine, 2-27, 2-29
 Gasket, Carburetor Air Horn, 2-27
 Gasket, Check Valve, 2-61, 4-29, 4-31
 Gasket, Cover, 2-61
 Gasket, Cylinder Head, 5-3
 Gasket, Drain Cap, 2-65
 Gasket, Exhaust Manifold, 5-12
 Gasket, Front Cover, 5-13
 Gasket, Fuel Pump, 2-23
 Gasket, Hyd Cap, 2-79
 Gasket, Intake Manifold, 5-12
 Gasket, Lid, 2-63, 2-65, 3-13, 4-29, 4-31
 Gasket, Oil Drain Plug, 5-11
 Gasket, Oil Pump to Block, 5-11
 Gasket, Rear Retainer, 5-9
 Gasket, Rocker Arm Cover, 5-3
 Gasket, Water Pump, 5-15
 Gasket, 2-61, 2-63, 3-39, 3-40, 4-33
 Gear Motor Assy, 4-35
 Gear, 5-11
 Geroler, 4-7, 4-9
 Gerotor Assy, 4-10, 4-11
 Gerotor Set, 4-13
 Gerotor, 4-15
 Governor Assy, Gas 1.1/1.3, 2-27
 Governor Assy, Lpg 1.1/1.3, 2-29
 Governor, Gas 1.1/1.3, 2-27
 Governor, Lpg 1.1/1.3, 2-29
 Grill Wldt, 2-81
 Grommet Rbr 0.25ld For .09Matl, 2-15, 2-21
 Grommet, Detergent Tank, 3-13
 Grommet,Rbr,0.25ld,For .25Matl, 2-27
 Grommet,Rbr,0.56ld,For .13Matl, 3-2, 3-3, 3-4, 3-5, 3-15
 Grommet,Rbr,1.00ld,For .12Matl, 2-43
 Guard Kit, Overhead, 3-29
 Guard Wldt, Lights, Revl&Flsh, 3-4, 3-5
 Guard Wldt, Oh, Top, 3-29
 Guard Wldt, Sqge, S Br, 3-19
 Guard, Intake, 2-33
 Guide, Side Squeezege, 2-99, 2-103

H

Handle Lift Brush, 2-17
 Harness, Back Up Alarm, 3-15
 Harness, Engine 355L Gas&Lpg, 2-90
 Harness, Engine Vsg411/413, 2-90

CROSS REFERENCE

Harness, Engine, Gas/Lpg, 2-90
Harness, Main G/Lp 7400, 2-90
Harness, Revol Light, 3-4, 3-5
Harness, Revolv Light, Cab,Ohg, 3-2, 3-3
Head Assembly, Cylinder, 5-3
Headlight 12V, 2-11
Hi Alt Vaprzr Spring, 2-31
Hinge, Hood, 2-11
Hinge, Seat, 2-9
Hood, Front, Lpg, 2-11
Hood, Front, 2-11
Horn, 12 Volt, 2-21
Horn, Back-Up Alarm, 3-15
Hose & Cuff Assy, 3-39, 3-40
Hose Assembly, Drain, 2-65
Hose Assy, Wand Kit, 3-41
Hose Heater, 2-27, 2-31
Hose Lpg Spl .25 I.D.55.0L, 2-41
Hose Lpg, 4Lpg X 27.0 Lg, 2-41
Hose Rbr,0.38 Id, 10, 2-23
Hose Vinyl Cl.,0.38 Idx31.00Lg, 3-13
Hose Vinyl Cl.,0.50 Idx15.0 Lg, 3-19
Hose, 3.0 Dia Squeegee, 2-2, 2-63
Hose, 1.0 Dia Tray, 2-63
Hose, Air Cleaner, Outlet, 2-33
Hose, Air Intake, Flex, 2-33
Hose, Crossover, 2-61
Hose, Fuel Line .31 Idx14.0, 2-39
Hose, Fuel, 0.50 Id 34.0L, 2-39
Hose, Fuelline, 10.0L, 2-39
Hose, Lpg, 8Lpg X 15.0Lg, 2-31
Hose, Molded .38ld X .75Od, 2-27, 2-29
Hose, Molded, Air Intake, 2-33
Hose, Pump, 3-9, 3-11
Hose, Pvc, .50ldx.73Od 34.0Lg, 3-19
Hose, Radiator, 2-43
Hose, Vacuum 4.0, 2-2, 2-57
Hose, Vacuum, Tray, 2-2, 2-107
Hose, Vacuum,.16ld X 19.0Lg, 2-31
Hose, Vacuum,.16ld X 28.0Lg, 2-27, 2-29
Hose, Vinyl Clear .62ld x 88, 3-7
Hose, Vinyl Clr .501Dx1.0LNg, 2-59
Hose, Vinyl Clr, .62ldx 18.0Lg, 3-7
Hose, Vinyl Clr, .62ldx 63.0Lg, 3-7
Hose, Vinyl Clr, .75ld x 58.0Lg, 3-7
Hose, Vinyl Clr, .75ld x 65.0Lg, 3-7
Hose, Vinyl, Cl Nyre .38ldx21L, 3-13
Hose, Vinyl, Clear Nylon Reinf, 3-13
Hose, Vinyl, Clear, 2-59, 4-33
Hose-Heater, .62ld 6.2L110E, 2-31
Hose-Hyd Ar 04 Jf/J4, 3-25, 3-27
Hose-Hyd Ar 04, 2-73
Hose-Hyd Ar 08, 2-73
Hose-Hyd Ar08, 2-73, 3-25, 3-27
Hose-Hyd Ar10, 2-73
Hose-Hyd Low06 Jf/J9, 2-23
Hose-Hyd Med04 Jf/J9, 2-73
Hose-Hyd Med04 Jf/Jf, 2-73
Hose-Hyd Med04, 2-73, 3-25, 3-27
Hose-Hyd Med06 Jf/J4, 3-25, 3-27
Hose-Hyd Med06 Jf/J9, 3-25, 3-27
Hose-Hyd Med06 Jf/Jf, 2-73

Hose-Hyd Med06, 2-73, 3-25, 3-27
Hose-Hyd Med08 Jf/J9, 2-73
Hose-Hyd Med12 Jf/J9, 2-73
Hose-Hyd Med12, 2-73
Hose-Hyd Suc20, 2-73
Hose-Hyd, 2-73
Housing Assy,, 4-7, 4-9
Housing Wldt, Bearing Lh, 2-93
Housing Wldt, Bearing Rh, 2-93
Housing Wldt, Side Brush, 3-19
Housing Wldt, Vac Fan, 2-57
Housing, Brg, 4-7, 4-9
Housing, Brush, 2-95
Housing, Flywheel, 2-25
Housing, Support, Wheel, 2-49
Housing, Thermostat W/Gasket, 2-23
Housing, Vac Fan W/Label, 2-57
Housing, 4-10, 4-11
Housingl, 4-13
Hub & Stud, 2-49
Hub Assy, Mounting, Brush, 2-93
Hub, Mounting, Fan, 2-45
Hub,Brush Drive, 3-19

I

Impeller 9.5 Dia. 18 Blade Mac, 2-57
Indicator Service Air Filter, 2-33
Indicator, Oil Level, 5-11
Insert, Exhaust Valve Seat, 5-3
Insert, Intake Valve Seat, 5-3
Instr. Motor Seal Kit F-74147, 4-17
Instr. Repair Info, Motor, 4-7, 4-9, 4-10, 4-11, 4-13
Instr.Repair Info, 4-15
Insulation, Acoustic, Seat, 2-9
Insulation, S/Foam, 2-5, 2-9, 2-13, 2-15
Isolator-Vibration .31-18, 2-81
Isolator-Vibration,125Lb.Ratng, 2-37, 2-43, 2-45, 2-55, 2-57, 2-77, 2-79, 3-21, 3-23

K

Key Set,Switch, 2-21
Key Square 0.12 0.12 00.50 Lg, 4-17
Key Square 0.12 0.12 01.00 Lg, 4-16
Key Square 0.25 0.25 01.25 Lg, 2-101
Key, Woodruff, 5-9
Key-Wdruff 0.25 1.00, 4-10, 4-11, 4-13
Key, 4-3, 4-7, 4-9
Kit, Air Filter, Heavy Duty, 3-43
Kit, Ball & Seal, 3-39, 3-40
Kit, Brush, 4-33
Kit, Ci, Alarm, Backup, 3-15
Kit, Ftg, Garden Hose, 3-7
Kit, Oil Pan Gasket, 5-11
Kit, Repair, Linkage, Squeegee, 2-111
Kit, Replacement, Armrest, 2-9
Kit, Replmt, Control, Govnr, (All Purps), 2-27, 2-29
Kit, Valve Handle, 3-39, 3-40

Knob, Caster, 2-115
Knob, Hood, 2-11

L

Label Set, Info & Hzd 7400, 2-116
Label Set, Operational, 2-116
Label, Numerals 7400, 2-116
Label, Tennant Logo, 2-11
Latch Assy, Lpg Tank Mtg,W/Nut, 2-41
Latch Kit, Door, Engine, 2-13
Latch, Bolt, 2-7, 2-11, 2-15, 2-105
Latch, Door, 2-13
Latch, Elastic, 2-81, 3-42
Latch, Engine Door, Side, 2-61
Latch, Hook, Lh, 2-7, 2-105
Latch, Hook, Rh, 2-7
Latch, Hook, 2-11
Latch, 2-15
Lens,Flashing Lite Fr207 Amber, 3-2, 3-4
Lens,Flashing Lite Fr207 Blue, 3-2, 3-4
Lens,Flashing Lite Fr207 Red, 3-2, 3-4
Lens,Rev.Light,Amber, 3-3, 3-5
Lens,Rev.Light,Blue, 3-3, 3-5
Lens,Rev.Light,Red, 3-3, 3-5
Level Sensing Assy, Es, 3-7
Level Sensing Assy, 2-63
Light Kit Flsh Lrc, 3-4
Light Kit Flsh Ohg, 3-2
Light Kit Revl Lrc, 3-5
Light Kit Revl Ohg, 3-3
Light, Backup 12V, 3-15
Light, Flashing, Amber, 12V-Re, 3-2, 3-4
Light,Rev.Amber 12V, 3-3, 3-5
Liner, Cylinder, 5-5
Linkage Kit, 2-27, 2-29
Lintel Wldt W/Label, 2-5
Lintel Wldt, Hood, 2-5
Lintel Wldt, Rear, Rh, 2-5
Lock, Valve Spring, 5-3

M

Main Bearing, Crankshaft, Lower 0.015 OS OD, 0.010 US ID, 5-9
Main Bearing, Crankshaft, Lower 0.015 OS OD, 0.020 US ID, 5-9
Main Bearing, Crankshaft, Lower 0.015 OS OD, Std ID, 5-9
Main Bearing, Crankshaft, Lower Std OD, 0.005 US ID, 5-9
Main Bearing, Crankshaft, Lower Std OD, 0.010 US ID, 5-9
Main Bearing, Crankshaft, Lower Std OD, 0.020 US ID, 5-9
Main Bearing, Crankshaft, Lower Std OD, 0.030 US ID, 5-9
Main Bearing, Crankshaft, Lower Std OD, Std ID, 5-8
Main Bearing, Crankshaft, Upper 0.015 OS OD, 0.010 US ID, 5-8

Main Bearing, Crankshaft, Upper 0.015 OS OD, 0.020 US ID, 5-8
 Main Bearing, Crankshaft, Upper 0.015 OS OD, Std ID, 5-8
 Main Bearing, Crankshaft, Upper Std OD, 0.005 US ID, 5-8
 Main Bearing, Crankshaft, Upper Std OD, 0.010 US ID, 5-8
 Main Bearing, Crankshaft, Upper Std OD, 0.020 US ID, 5-8
 Main Bearing, Crankshaft, Upper Std OD, 0.030 US ID, 5-8
 Main Bearing, Crankshaft, Upper Std OD, Std ID, 5-8
 Manifold Insert, 5-12
 Manifold, Exhaust, 2-23
 Manifold, Intake, 5-12
 Manual Pkg 7400, 3-44
 Manual, Cd-Rom, Oprtr & Parts, All (NA), 3-44
 Manual, OP/MT 7400, French, 3-44
 Manual, OP/MT 7400, Spanish, 3-44
 Manual, Service, VSG FD, 3-44
 Manual, Service, 3-44
 Manual-Fiche Pkg 7400 Mm425, 3-44
 Module, Control, Ignition, 2-27, 2-29
 Molding, Trim 11-14Ga 20.0, 2-9
 Molding, Trim 11-14Ga 116.0, 2-11
 Molding, Trim 11-14Ga 5.00, 3-19
 Motor 12V Dc, 4-29, 4-31, 4-33
 Motor, Hyd Gear (See Breakdowns) (Replaced by 369820), 3-19
 Motor, Hyd Gear (See Breakdowns) (Replaced by 378710), 2-49
 Motor, Hyd Gear (See Breakdowns), 2-45, 2-49, 2-57, 3-19
 Motor, Hyd Gear Ex 0.13 L 3000, 4-16
 Motor, Hyd Gear In 04.5 R 1500, 4-10, 4-11
 Motor, Hyd Gear In 4.5 B 1500 (See Breakdowns), 2-97
 Motor, Hyd Gear In 4.5 B 1500, 4-13
 Motor, Hyd Gear, 4-7, 4-9, 4-17
 Muffler-Exh, Ovl, To 112Cu Eng, 2-37

N

Nozzle, Plastic Wand 14.0 Lg, 3-41
 Nut Hx Std Ss .38-16, 2-111
 Nut Hx Std Ss M10X1.5, 2-93
 Nut Hx Std Ss M12X1.75, 2-7
 Nut Hx Stover M 8X1.25, 2-23
 Nut Hx, Jam M10X 1.5Ss, 2-111
 Nut Hxlocnyln .38-24 Reg5518-8, 2-93
 Nut Hxlocnyln M 6X1.0 Reg Ss, 2-59, 2-107, 2-111, 3-15, 3-19
 Nut Wheel .50-20 60 Angle, 2-49
 Nut, Adjustable, Lpg Tank Mtg, 2-41
 Nut, Cart., Lng, 4-19, 4-21, 4-23, 4-25, 4-27
 Nut, Cart, 4-19, 4-21, 4-23, 4-25, 4-27
 Nut, Hex, Lock, M06 X 1.0, NI, 2-27, 2-29

Nut, Hex, Lock, M08 X 1.25, NI, 2-35
 Nut, Hex, M08 X 1.25, 2-37
 Nut, Hex, Std, M20 X 2.5, 2-97, 2-101
 Nut, Hxlocnylon .75-10, 2-49
 Nut, Stover M8 x 1.25, 5-12
 Nut, U M5 X 0.8, 2-11
 Nut,Wing .44-20 Special, 2-33
 Nut-Hex Slot 1.12-18, 2-49
 Nut-Hx Flexloc .38-24 Reg, 2-111
 Nut-Hx Jam 1.00-14 Pltd, 3-7
 Nut-Hx Jam .50-13 Ss, 2-55
 Nut-Hx Jam .50-20 Left Pltd, 2-51
 Nut-Hx Jam M20 X 1.5 4 Pltd, 2-17
 Nut-Hxlocnyln .38-16 Regss18-8, 2-111, 3-17
 Nut-Hxlocnyln .50-13 Regss18-8, 2-2, 2-115
 Nut-Hxlocnyln M 10X1.5 Reg Ss, 2-81
 Nut-Hxlocnyln M 5X0.8 Reg 18-8, 2-59, 2-65
 Nut-Hxlocnyln M 8X1.25 Reg Ss, 2-5, 2-43, 2-51, 2-55, 2-93, 2-115
 Nut-Hxlocnyln M10X1.5 Reg 18-8, 2-95, 2-99, 2-103, 2-111, 2-113
 Nut-Hxlocnyln M10X1.5 Reg Ss, 2-109
 Nut-Hxlocnyln M5X0.8 Reg Ss, 3-13
 Nut-Hxlocnyln M6X1.0 Reg Ss, 2-53
 Nut-Hxlocnylnmm12X1.75 Reg Ss, 2-105
 Nut-Hxslot .75-16 Pltd, 4-13
 Nut-Hxslot 1.00-20 Pltd, 2-51
 Nut-Hxslot M20X2.5 8 Pltd, 2-101
 Nut-Low Crown .50-20 Pltd, 2-57
 Nut-Low Crown .31-18 Pltd, 2-9
 Nut-Wing .31-18 Pltd, 2-47
 Nut, 4-7, 4-9

O

O-Ring Gland, 2-75
 Oil Pan and Plug, 5-11
 Oil, Hydr. Shp 15/40 1Gal, 2-2

P

Pad, Neoprene, 2-111
 Pad, Tread, 2-55
 Pad, 2-53
 Pan Gasket Kit, 5-18
 Panel Assy, Instr W/Label, 2-9
 Panel Wldt, Filler, 2-7
 Panel, MTG, Hose, 3-41
 Panel, Seat, Rh, 2-9
 Panel, Seat, Top, 2-9
 Panel, Shroud, Radiator, 2-43
 Panel, Tilt, Lh, 2-17
 Panel, Tilt, Rh, 2-17
 Panel, Transition, 2-45
 Pedal, Brake Lock Ec, 2-53
 Pedal, Lower, Propel, 2-55
 Pedal, Upper, 2-55
 Performance Pkg 400Hr Gas, 2-2
 Performance Pkg 400Hr Lpg, 2-2

Pin Wldt, Front, 2-113
 Pin Wldt, Rear, 2-113
 Pin Wldt, S Br, 3-17
 Pin, Clevis .31 Dia X 4.50 Lg, 2-55
 Pin, Clevis .31D X 2.5L, 2-115
 Pin, Clevis .50 Dia X 4.50 Lg, 2-55
 Pin, Clevis 10D X 50L, 2-93
 Pin, Clevis, 0.50Dia. X3.50Lg, 2-109
 Pin, Clevis, 0.25 Dia X 2.44 Lg, 2-109
 Pin, Cotter, .125 X 1.00, 2-97, 2-101
 Pin, Cotter, 2.3 mm, 5-7
 Pin, Dowel, .50, 3.5L, 2-93
 Pin, Dowel, 4-3
 Pin, Drive Gear, 5-11
 Pin, Guide, 2-95
 Pin, Hair Cotter, 2-95
 Pin, Hair Cotter .38D .072 Wire, 2-55
 Pin, Hair Cotter, 0.69 D .092 Wir, 2-99, 2-103
 Pin, Hitch, .19Dia X 3.44 L, 2-113
 Pin, Clevis, 0.19 Dia. X 0.62 Lg, 2-109
 Pin, Clevis, 0.31 Dia X 1.00 Lg, 2-99, 2-103
 Pin, Clevis, 0.37 Dia. X 0.75 Lg, 2-99, 2-103
 Pin, Clevis, 0.37 Dia. X 1.00 Lg, 2-51
 Pin, Clevis, 0.50 Dia. X 1.42 Lg, 2-51, 3-17
 Pin, Clevis, 0.50 Dia. X 1.87 Lg, 3-17
 Pin, Clevis, 0.50 Dia. X 2.00 Lg, 2-109
 Pin, Clevis, 0.50 Dia. X 2.50 Lg, 2-109
 Pin, Support Wheel, Bar, 2-49
 Pin, 2-113, 4-15, 5-7
 Piston, Pin and Ring Assembly, 0.020 OS, 5-9
 Piston, Pin and Ring Assembly, 0.040 OS, 5-9
 Piston, Pin and Ring Assembly, Std, 5-9
 Pivot Wldt, Side Brush, 3-17
 Pivot Wldt, Tray, 2-105
 Pivot, Flanged, 2-81
 Plate - Hose Support, 2-49
 Plate Bent, 3-7
 Plate Wldt, Sol Control, Ss, 2-59
 Plate, Backup Alarm, 3-15
 Plate, Cover, 2-105
 Plate, Filler, 2-5
 Plate, Floor, 2-9
 Plate, Governor, 2-27, 2-29
 Plate, Light Mtg., 3-2, 3-3
 Plate, Mount, Steering Boot, 2-17
 Plate, Mounting, Brush, 2-97
 Plate, Mtg, Brush, 2-101
 Plate, Pin Retaining, S Br, 3-17
 Plate, Support, 2-107
 Plate, Thrust, 5-7
 Plate, Valve, 4-3, 4-7, 4-9
 Plate, Wear, 4-15
 Plug (Replaced By None), 5-11
 Plug #10, 4-13, 4-19, 4-23
 Plug #2, 4-19, 4-21, 4-23, 4-25, 4-27, 4-34
 Plug #4, 4-7, 4-9, 4-13, 4-19, 4-21, 4-23, 4-25, 4-27

CROSS REFERENCE

Plug #8, 4-19, 4-21, 4-23, 4-25
Plug Assembly, 4-7, 4-9, 4-15
Plug Gage #6, 4-19, 4-21, 4-23, 4-25, 4-34
Plug S-A, 4-3
Plug Wldt, Brush Drive, 2-97, 2-101
Plug, 1/4 NPT, 5-5
Plug, Ball, Oil Gallery, 5-5
Plug, Cap, Check Valve, 2-61
Plug, Control Box, 2-27, 2-29
Plug, Float, 2-63, 3-7
Plug, Oil Drain, 5-11
Plug, Rocker Arm Shaft, 11 mm, 5-7
Plug, 5-3, 5-5, 5-12
Plugbtn .38H .03-.12 Blacknyl, 2-29
Plugbtn .56H .03-.12 Blacknyl, 2-21
Plunger, Spring .38-16, 3-41
Plunger, 5-11
Pos Sol Ctrl Dm Sys Kit Std, 3-39
Pos Sol Ctrl Dm Sys Kit, Es, 3-40
Pulley, Alternator, 2-35
Pulley, Cable, 1.5d, Nyl, 2-51
Pulley, Crankshaft, 1 Groove, 5-9
Pump Body Kit, 4-29, 4-31, 4-33
Pump Housing Assy, 4-3
Pump Kit, Sec#1, 4-5
Pump Kit, Sec#2, 4-5
Pump Kit, Sec#3, 4-5
Pump, Column, Es (See Breakdowns), 3-11
Pump, Column, Es(See Breakdowns)(Replaced by 379005), 3-9
Pump, Column, Es(See Breakdowns)(Replaced by 81954), 3-9
Pump, Column, Es, 4-29, 4-31
Pump, Detergent Metering (See Breakdowns), 3-13
Pump, Detergent Metering, 4-35
Pump, Fuel, 2-39
Pump, Hyd (See Breakdowns), 2-75
Pump, Hyd Piston V 1.24 R 4000 (See Breakdowns), 2-75
Pump, Hyd Piston V 1.24 R 4000, 4-3
Pump, Hyd, 4-5
Pump, Oil, 5-11
Pump, Water, 4-33

R

Race Thrust, 4-10, 4-11, 4-13
Race, Bearing, 4-3
Race, Inner Bearing, 4-3
Radiator, 2-43
Rectifier, 2-35
Regulator, 2-35
Relay, Shrouded, 12 Vdc, 2-21
Relief Valve, 4-3
Relief Vlv Assy, 4-15
Repair Info., 4-16
Repair Info, Pump, 4-3
Repl Kit, Muffler F/70214, 2-37

Replacement Kit, Drive Housing, 2-49
Replm Kit, Cir Board, 2-19
Replm Kit, Housing, 2-25
Replm Kit, Instr.Panel, 2-19
Replm Kit, Recovery Tnk, 2-63
Replm Kit, Solution Tnk, 2-61
Replm Kit, Starter, 2-25
Replm Kit, Touch Panel, 2-19
Replmt Kit, Case, 2-19
Replmt Kit, Lamp, Backlighting (8), 2-19
Replmt Kit, Lamp, Fault (8), 2-19
Replmt Kit, Seal,, 2-19
Reservoir, Hyd 10.0Gal, 2-79
Retainer Assembly, Rear, 5-9
Retainer, Frt, 4-7, 4-9
Retainer, Gasket, 4-29, 4-31
Retainer, Side Brush, 3-19
Retainer, Skirt, Brush, 2-95
Retainer, Squeegee, 2-99, 2-103, 3-19
Retainer, 2-113, 5-3, 5-7
Ring Retain Ex, 0.75D, 2-65
Ring Set, Piston, 0.020 OS, 5-9
Ring Set, Piston, 0.040 OS, 5-9
Ring Set, Piston, Std, 5-9
Ring, Gear, 5-19
Ring, Locating, Starter, 2-25
Ring, Retain, Ex0.50Od,Heavydt, 2-17
Ring, Retain,Ex,0.62Od,Heavydt, 2-111
Ring, Retaining, 4-15
Ring,Retain,Ex,0.375D,Klipring, 2-115
Ring,Retain,Ex,0.98Od,E-Ring, 2-53, 2-97, 2-101
Ring,Retain,Ex,1.00Od,Basic, 2-101
Ring, 4-7, 4-9
Rivet, Plastic .250D X .898, 2-17, 2-33
Rivet, Plastic .250Dx.898, 2-9, 2-21
Rivet, Pop-.125Dx.44X.25Dhd Al, 3-42
Rod Assembly, Connecting, 5-9
Rod End .375-24 Lh W/Stud, 2-93
Rod End .375-24 W/Stud, 2-93
Rod End .250-28 .25Dia, 2-55
Rod End M10 X1.5 W/Stud, 2-111
Rod, 3/8-24 Rh/Lh Thread, 2-93
Rod, Hood Release, 2-11
Rod, Latch, Engine Cover, 2-15
Rod, Latch, Steering, Tilt, 2-17
Rod, Plastic, 2-61, 2-63
Rod, Seat, 2-9
Rod, Threaded, 2-111
Rod, Valve Push, 5-7
Rod-End,Ball Joint,Male,.50, 3-17
Rotating Kit, 4-3
Rotor and Shaft, 5-11

S

Scr Hesssm 5X0.8 16, 3-13
Scr Hex M16X2.0 40, 2-93
Scr Hexss.38-16X1.50, 3-17
Scr Hexssm 12X1.75 40, 2-105
Scr Hexssm 5X0.8 12, 2-59, 3-15
Scr Hexssm 10X1.5 25, 2-7, 2-93, 2-99, 2-103, 2-105, 2-113

Scr Hexssm 10X1.5 35, 2-81
Scr Hexssm 5X0.8 25, 2-65
Scr Hexssm 6X1.0 35, 2-105
Scr Hexssm 6X1.0 25, 2-7, 3-19
Scr Hexssm 6X1.0, 2-99, 2-103
Scr Hexssm 8X1.25 25, 2-43, 2-47, 3-13
Scr Hexssm 8X1.25 25, 2-9
Scr Hexssm 8X1.25 30, 2-93
Scr Hexssm 8X1.25 35, 2-51, 2-55
Scr Hexssm 8X1.25 40, 2-51
Scr Hexssm 8X1.25, 2-5, 2-105, 3-13, 3-17
Scr Hexssm10X1.5 20, 3-17
Scr Hexssm10X1.5 25, 3-17
Scr Hexssm10X1.5 30, 2-45
Scr Soc .50-13X1.50, 2-49
Scr Soc, 2-49
Scr-Hex M8 X 1.25 120, 2-35
Scr-Hex .50 13 X 3.00 Ss, 2-115
Scr-Hex .75-10x3.25 G5 Pltd, 2-49
Scr-Hex .75-10x4.00 G5 Pltd, 2-49
Scr-Hex Ssm10X1.5 70 Full Thd, 2-93
Scr-Hexss M8X 1.25 20 Nylonloc, 2-9
Scr-Hexssm 8X1.25 20 Nynloc, 2-43, 2-61, 2-63, 2-65, 3-13
Scr-Hexssm 8X1.25 25 Nynloc, 2-43
Scr-Hexssm 8X1.25 25, 2-105
Scr-Hx .50-13 X 3.00 Full Thd, 2-55
Scr-Shld .312Dx1.00L .25-20, 2-55
Screen, Pump, Detergent, 3-13
Screen, Sol Dbl Cylindrical, 3-9
Screw Cap, 4-10, 4-11
Screw Hex Ssm 10X1.5, 2-109
Screw Hex Ssm 6 X 1.0 20, 3-15
Screw Hexssm10X1.5 35, 2-99, 2-103, 2-111
Screw Panssm 5X0.8 20, 2-11
Screw Soc M 6X1.0, 2-27, 2-29
Screw, Cap, 4-3, 4-7, 4-9, 4-15
Screw, Flat M10X1.5, 2-103
Screw, Hex Ssm 6 X 1.0 20, 2-11, 2-59, 2-107, 3-19
Screw, Hex, .38-16 X 0.75, NI, 2-97
Screw, Hex, M06 X 1.0 X 25, Ss, 2-95
Screw, Hex, M06 X 1.0 X 30, 8.8, 2-27, 2-29
Screw, Hex, M08 X 1.25 X 20, 8.8, 2-35
Screw, Hex, M08 X 1.25 X 25, 8.8, 2-35
Screw, Hex, M08 X 1.25 X 20, 2-37
Screw, Hex, M08 X 1.25 X 25, 2-37
Screw, M4 x 10, 5-17
Screw, M5x16, 5-17
Screw, M6 x 14, 5-5
Screw, M8 x 14, 5-17
Screw, Pan, M06x1.0 X 25, 4.8, 2-27, 2-29
Screw, Rocker Cover to Head, 5-3
Screw-Hex Ssm 6X1.0, 2-53
Screw, 4-10, 4-11, 4-13, 5-7
Screws, 4-3
Seal Kit, Cart, 4-19, 4-21, 4-23, 4-25, 4-27

Seal Kit, Coil, 4-19, 4-21, 4-23, 4-25, 4-27
 Seal Kit, Hyd Motor Gear, 4-17
 Seal Kit, Hyd Mtr Gear Bn, 4-16
 Seal Kit, Pump, 4-3, 4-5
 Seal Kit, Rear, 4-7, 4-9
 Seal Kit, Shaft, 4-7, 4-9
 Seal Kit, Stg, 4-15
 Seal Replmt Kit, 4-10, 4-11, 4-13
 Seal, Bearing, 2-17
 Seal, Boot, Steering Column, 2-17
 Seal, Bulb, Sd-0168 27.75 Lg, 2-13
 Seal, Bulb, Sd-0168 28.44 Lg, 2-9
 Seal, Bulb, Sd-0168 29.25Lg, 2-15
 Seal, Bulb, Sd-0504 32.50Lg, 2-13
 Seal, Bulb, Sd-0504 68.75Lg, 2-9
 Seal, Bulb, 2-9
 Seal, Cover Plate, 5-11
 Seal, Crankshaft Rear, 5-9
 Seal, Drive Grease Cavity, 2-49
 Seal, Front Cover, 5-9, 5-13
 Seal, Hose, 2-65
 Seal, Tube, Silicone, 2-63
 Seal, Valve Stem, 5-3
 Seal, Foam Rbr, .75 1.00W 3.5L, 3-15
 Seal-Bulb, Sd-0504 24.50Lg, 2-15
 Seat Belt Kit 7400, 3-32
 Seat Kit, Grammer 7400, 3-33
 Seat, Grammer, 3-33
 Seat, Michigan, 2-9
 Sender-Temperature, Water, 2-23
 Sending Unit Tc, 2-39
 Sensor, 45 Degree, 5-5
 Sensor, Map, 2-27, 2-29
 Sensor, Water Temperature, 5-12
 Separator, Ignition Wire, 5-17
 Shaft Assembly, Rocker Arm, 5-7
 Shaft S-A, 4-7, 4-9
 Shaft Wldt, Brake, 2-53
 Shaft Wldt, Torque, 2-93
 Shaft, Brush, Idler, 2-101
 Shaft, Cam, Chrome Plated, 2-51
 Shaft, Drive, 4-3
 Shaft, Output, 4-10, 4-11, 4-13
 Shaft, Pivot, Rh, 2-101
 Shaft, Pivot, 2-97
 Shaft, Pump, 4-29, 4-31, 4-33
 Sheave, 2-35
 Sheet, Plastic, Backup, 2-61
 Shield Exhaust, 2-23
 Shield, Belt Replmt Kit, 2-35
 Shield, Belt, 2-35
 Shim .020Th 0.88Odx0.506ld, 2-57
 Shim .060Th 0.880Dxo.506ld, 2-57
 Shock Absorber, 2-55
 Shoe, Plastic-Squeegee 14 In, 3-41
 Skirt, Brush Arm, Rh, 2-2
 Skirt, Brush Arm, 2-95
 Skirt, Center, 2-9
 Skirt, Side Brush, 2-2, 3-19
 Sleeve, .370B .50D .50 Butwcd, 2-43
 Sleeve, .391B 1.38D .19 Hr.Cad, 2-61
 Sleeve, .401B 1.00D .38Hrs, 2-51

Sleeve, .88B 1.75D 1.12L, Stl, 2-49
 Sleeve, Bearing .625Od X .515, 2-99, 2-103
 Sleeve, Bearing .62Od, 2-109
 Sleeve, Bearing, 2-99, 2-103, 3-17
 Sleeve, Nyl, #37 5.0l, 2-49
 Sleeve, Nylon 16.0L, 3-17, 3-19
 Sleeve, Pivot, Lower, 2-105
 Sleeve, Pivot, 2-111
 Sleeve, 4-29, 4-31, 4-33
 Slinger, Oil, 5-9
 Spacer Hub, 3-19
 Spacer Plate, 4-10, 4-11, 4-13
 Spacer, .259ld 375Od .250Lg, 2-55
 Spacer, Coil, 4-19, 4-21, 4-23, 4-25, 4-27
 Spacer, Latch, 2-105
 Spacer, 2-51, 4-15
 Spark Plug, 2-2, 5-17
 Spline Coupling, 4-5
 Spring Comp 0.660Dx.09Wire3.5L, 2-115
 Spring Kit, 4-15
 Spring, Brake, Parking, 2-53
 Spring, Brush Retaining, 2-3
 Spring, Centering, 2-111
 Spring, Compression, 24Diax1.75, 2-27
 Spring, EXT, 3-41
 Spring, Locating, 5-7
 Spring, Propel, Centering, 2-55
 Spring, Return, Brakes, 2-51
 Spring, Ten, 0.75Od.07Wire 3.5L, 2-99, 2-103
 Spring, Tens.50Odx.04Wire 2.5L, 2-11
 Spring, Tension, 2-111
 Spring, Tors 0.75D 1.00L .060W, 2-53
 Spring, Torsion, 2-53
 Spring, Trough Screen, 2-107
 Spring, Valve, 5-3
 Spring-Gas Assy, Engine Cover, 2-15
 Spring, 4-3, 4-7, 4-9, 4-34, 5-11
 Sprng, Comp, 0.62ldx.06Wire 2.3L, 2-17
 Sprng, Tens, 0.38Odx.06Wire 6.0L, 2-95
 Sprng, Tens, 0.50Odx.05Wire 1.0L, 2-15
 Sprocket, Camshaft, 5-7
 Sprocket, 5-9
 Squeegee Assy, Rear, 2-113
 Squeegee Assy, S Br Urethane, 3-28
 Squeegee Assy, S Br, 2-2, 3-19
 Squeegee Assy, Side, Lh, 2-99
 Squeegee Assy, Side, Rh, 2-103
 Squeegee Assy, Side, 3-38
 Squeegee Kit, Urethane, 3-38
 Squeegee Wand Kit 7400, 3-41
 Squeegee Wldt, 2-113
 Squeegee, Side, 2-2, 2-99, 2-103
 Starter, 12Vdc, 2-25
 Starter, Ford 1.8 Hp, 2-25
 Steer Control, Hyd (See Breakdowns), 2-17
 Steer Control, Hyd#2 06.1 1160, 4-15
 Stem, Valve, 4-19, 4-21, 4-23, 4-25
 Strainer, Screen, Solution Tank, 2-61
 Strainer-Hyd Suction 25-100-03, 2-79
 Strap Cap Retainer, 2-65

Strap Wldt, Tank.06Tx1.0W 31.9, 2-39
 Strap, Hinge - Lp Tank Mtg, 2-41
 Strap, Mounting, Actuator, 2-27, 2-29
 Strap, Mtg. - Lp Tank, 2-41
 Strap, Muffler Hanger, 2-37
 Strap, Radiator, 2-43
 Strap, Tank Retainer - Lp, 2-41
 Strip Wldt, Front Retainer, 2-113
 Strip Wldt, Rear Retainer, 2-113
 Strip, Non Slip, 2-113
 Strip, Rubber, 2-81
 Stud, Ball, Gas Spring, 2-15
 Stud, Wheel .50-20 X 1.50, 2-49
 Stud, 5-12
 Support, Rocker Arm Shaft, 5-7
 Switch Assy, 4-34
 Switch Ignition, 2-21
 Switch, Hyd Flow Sensor (See Breakdowns), 2-75
 Switch, Hyd Flow Sensor, 4-34
 Switch, Micro, 15 Amp, Dpdt, 3-7
 Switch, Micro, Spdt, 2-63
 Switch, Pressure Oil, 2-23
 Switch, Pressure, Lpg, 2-31
 Switch, Progressive, 2-21
 Switch, Pushmom, Spst100A 12V, 2-21
 Switch, Roller, 3-15
 Swivel Control .250-28.25Dia, 2-11

T

Taillight Assy, 2-5
 Tailpipe, Muffler, 2-37
 Tank, Fuel, 2-39
 Tank, Solution, Lh, 2-61
 Tank-Lp, 33@, Liq, Both, Fill Ga L, 2-41
 Tape, Video, Operator 7400, 3-44
 Tappet, Std, 5-7
 Tensioner, 5-7
 Thermostat, 180 Degree, 2-23, 5-15
 Thrust Bearing, 4-10, 4-11, 4-13
 Tie, Cable 1.75D Max 7.50Lg, 3-2, 3-3, 3-4, 3-5
 Tie, Cable 4.00 Max 14.50Lg, 2-57, 3-17
 Tie, Cable, Nyl, 07.3l .19w 1.8 Max D, 2-55
 Timer, Backflush, 4-33
 Tire & Wheel Assy, Front, 2-49
 Tire & Wheel Assy, Solid Non MarkingTurf 18X7, 3-37
 Tire & Wheel Assy, Solid Nonmark, 3-36
 Tire & Wheel Assy, Solid Turf 18X7, 3-35
 Tire Assy, Solid, High Traction, 18.0 X 6.0 X 4.5Bc, 3-34
 Tire, 18X5X12.12 Solid, 2-51
 Tire, Solid 18X5X12.12 Nonmark, 3-36
 Tire, Solid 18X7X12.12 Turf, Non Marking, 3-37
 Tire, Solid 18X7X12.12 Turf, 3-35
 Tire, Solid 5.00 X 8 X 3.75, 2-49
 Tray Wldt, Debris, 2-105
 Tray, Battery, 2-47
 Tray, Debris, 2-107

CROSS REFERENCE

Tray, Gas Tank, 2-39
Tread, Floor, 11.6 3.0, 2-9
Tread, Floor, 14.2 11.7, 2-9
Tube Assembly, Oil Pickup, 5-11
Tube Wldt, Leg, Ohg, Lh, 3-29
Tube Wldt, Leg, Ohg, Rh, 3-29
Tube Wldt, Vacuum, 2-107
Tube, 0.75D 0.38B 3.5L Std, 2-35
Tube, Air Bleed, 2-27
Tube, Air Intake, 2-33
Tube, Exhaust, G & Lpg, 2-37
Tube, Fuelline, Gas, 2-39
Tube, Hyd, Jf08, 2-97
Tube, Oil Level Indicator, 5-11
Tube, Radiator Lower, 2-43
Tube, Radiator, Upper, 2-43
Tube-Carb, Air Intake, 2-33
Tubing Connctr.Kit, Pmp, 4-35
Tubing, Vinyl, 4-29, 4-31, 4-33
Turnbuckle,.50-20Thd,2.2-4.4Lg, 2-51

V

Valve Assy, Nylon Brush (See Breakdowns), 2-77
Valve Assy, Nylon Brush, 4-23
Valve Assy, Side Br, Nylon Br (See Breakdowns), 3-21, 3-23
Valve Assy, Side Br, Nylon Br, 4-25
Valve Assy, Side Brush (See Breakdowns), 3-21, 3-23
Valve Assy, Side Brush, 4-21
Valve Kit, Poppet, 4-35
Valve Stem 3W2P, 4-19, 4-21, 4-23, 4-25, 4-27
Valve Stem 4W2P, 4-19, 4-21, 4-23, 4-25
Valve Stem N.C., 4-19, 4-21, 4-23, 4-25, 4-27
Valve, Check, 2-61, 4-29, 4-31, 4-33
Valve, Dump, 4-3
Valve, Exhaust, Std, 5-3
Valve, Hyd Cntrl Sol (See Breakdowns), 2-77
Valve, Hyd Cntrl Sol, 4-19, 4-27
Valve, Hyd Contol Sol (See Breakdowns), 3-21, 3-23
Valve, Intake, Std, 5-3
Valve, Press Relief, Lpg Rego, 2-41
Valve, Relief, 4-19, 4-21, 4-23, 4-25
Valve, Solenoid, 12V Dc, 3-7
Valve, Water, Solenoid, 2-59, 3-19
Valve, Water12V Solenoid, 4-33
Valve, 4-7, 4-9
Vaporizer Repair Kit, 2-31
Vaporizer, Lpg, 2-31

W

Wand, Metal - 2PC, 3-41
Washer .400B 1.12D .12Cr Znc, 2-45, 2-55, 2-57, 2-77, 2-79, 3-21, 3-23
Washer Flt 10 Ss, 2-55

Washer Flt .25 Ss, 2-7, 2-59, 2-99, 2-103, 2-107, 3-9, 3-19
Washer Flt .31 Ss, 2-5, 2-9, 2-43, 2-47, 2-51, 2-55, 2-63, 2-65, 2-93, 2-105, 3-13, 3-17
Washer Flt .38 Ss, 2-7, 2-93, 2-95, 2-99, 2-103, 2-105, 2-111, 2-113
Washer Flt .50 Ss, 2-7, 2-105, 3-17
Washer Flt .25 Ss, 2-53, 2-105
Washer Flt .31Ss, 3-13
Washer Flt .62 Hard, 2-93
Washer Flt 10 Ss, 2-65, 3-15
Washer Flt10 Ss, 2-59
Washer, .400B 1.12D .12Cr Znc, 2-9
Washer, .656B 1.25D .06, 2-99
Washer, .250B .88D .06Neoprene, 2-55
Washer, .281B .62D .06Nylon, 2-27
Washer, .400B 1.12D .12Cr Znc, 2-63
Washer, .400B 1.12D .12Cr. Znc, 2-43
Washer, .531B 1.88D .12Hard Zn, 2-25
Washer, .656B 1.25D .06, 2-2, 2-109, 2-111, 2-115
Washer, .656B 1.25D .06, 2-103
Washer, .660B 1.00D .12Rbr, 3-7
Washer, .687B 1.19D .06Cr. Cad, 2-111
Washer, .812B 1.06D .06Cr., 2-55
Washer, .812B 1.06D .06Cr, 2-45
Washer, 1.03Lb 1.50D .036 Crs, 3-7
Washer, 1/4 Lock, 5-7, 5-11
Washer, B10 x 20 x 2.5, 5-7
Washer, B8 Lock, 5-9, 5-11, 5-15
Washer, Flat .38, 2-109
Washer, Flat, .31 Fender, 2-37
Washer, Flat, 6 mm, 5-3
Washer, Flat,II .25 Hard, 2-115
Washer, Flat, 5-7
Washer, Flt, .25 Std, 2-95
Washer, Flt, .31 Std, 2-35, 2-95
Washer, Flt, .75 Sae, 2-97, 2-101
Washer, Flt, #10, 2-27, 2-29
Washer, Lock, M6, Front Cover and W/P to Block, 5-13
Washer, M6 Lock, 5-15
Washer, Main Bearing Thrust, 0.015 OS, 5-9
Washer, Main Bearing Thrust, Std, 5-9
Washer, Polyethylene, 3-39, 3-40
Washer, Pulley to Crankshaft, B12, 5-9
Washer, Rubber Gr, 4-29, 4-31
Washer, Spring, 5-7
Washer, Thrust, 2-49
Washer-Belleville .25 Pltd, 2-45
Washer-Belleville .31 Pltd, 2-9, 2-13, 2-15, 2-57
Washer-Flt .25 Fender Pltd, 2-9
Washer-Flt .31 Fender Pltd, 2-37, 2-43
Washer-Loc Int .31 Ss, 2-81
Washer-Loc Int .31 Pltd, 2-9
Washer, 2-81, 4-3
Water Pump, 5-15
Wheel Steering 14Diax36T, 2-17
Wheel, 3 Inch Dia., 2-2, 2-115
Wheel, Tray, 1.75 Dia, 2-105

Wheel, 2-51
Wingnut, 3-43
Wire Ass'y-Elect.,Ground, 2-25
Wire Assy' Elect., Batt. Neg., 2-47
Wire, Spark Plug, No. 1, 5-17
Wire, Spark Plug, No. 2, 5-17
Wire, Spark Plug, No. 3, 5-17
Wire, Spark Plug, No. 4, 5-17
Wire-Ground, Alternator, 2-35
Wireharness, Backflush, 4-33

Y

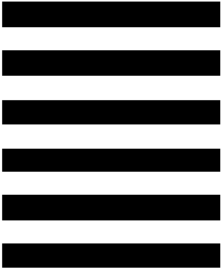
Yoke Wldt, Lh, 2-51
Yoke Wldt, Rh, 2-51



TENNANT COMPANY
 Technical Publications #15
 701 North Lilac Drive
 P.O. Box 1452
 Minneapolis, MN 55440-9947

POSTAGE WILL BE PAID BY ADDRESSEE

BUSINESS REPLY MAIL
 FIRST CLASS MAIL PERMIT NO. 94 MINNEAPOLIS, MN



NO POSTAGE
 NECESSARY
 IF MAILED
 IN THE
 UNITED STATES



Fold along dotted lines

Tape here

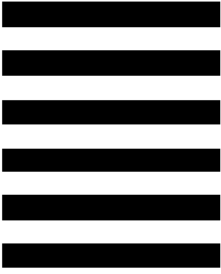




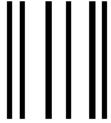
TENNANT COMPANY
 Technical Publications #15
 701 North Lilac Drive
 P.O. Box 1452
 Minneapolis, MN 55440-9947

POSTAGE WILL BE PAID BY ADDRESSEE

BUSINESS REPLY MAIL
 FIRST CLASS MAIL PERMIT NO. 94 MINNEAPOLIS, MN



NO POSTAGE
 NECESSARY
 IF MAILED
 IN THE
 UNITED STATES



Fold along dotted lines

Tape here

