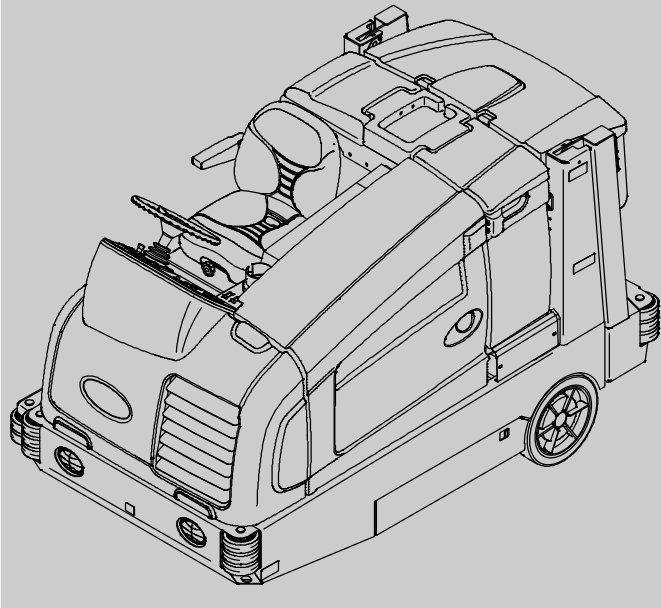
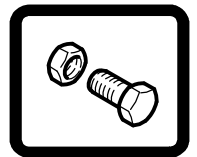




# M20

(Gas/LPG)

## Scrubber-Sweeper Parts Manual



**The Safe Scrubbing Alternative<sup>®</sup>**

**ES<sup>®</sup> Extended Scrub System**

**Tennant True<sup>®</sup> Parts**

**Hygenic<sup>®</sup> Fully Cleanable Tanks**

**FloorSmart<sup>™</sup> Integrated Cleaning System**

**IRIS<sup>™</sup> a Tennant Technology**



## North America / International



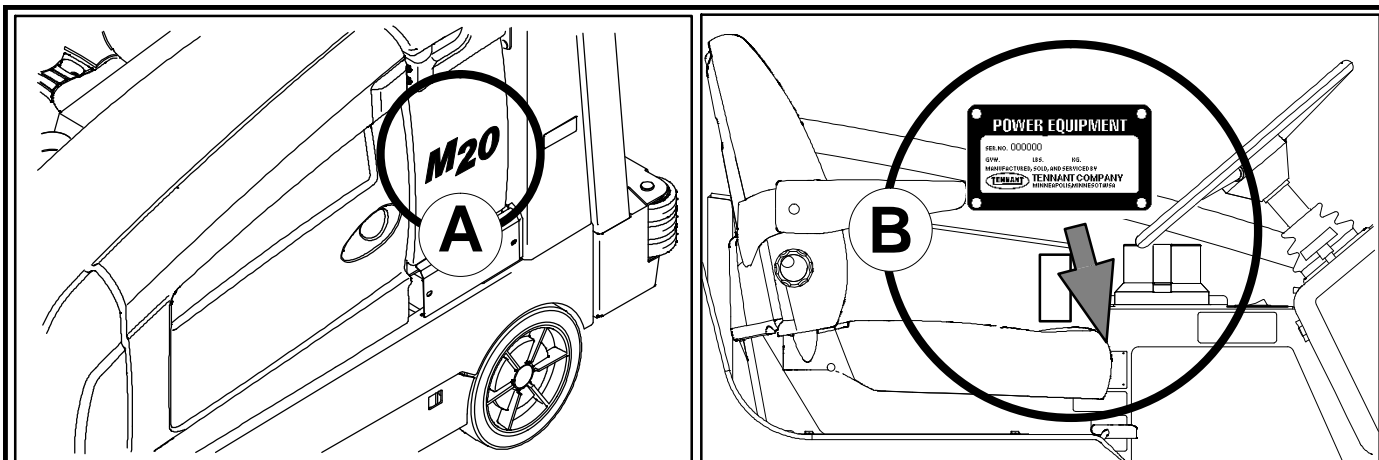
To view, print or download  
the latest manual, visit:

[www.tennantco.com/manuals](http://www.tennantco.com/manuals)

331381

Rev. 14 (8-2013)





Ref	Part No.	Serial Number	Description	Qty.
1	82681	(000000— )	Bracket Wldt, Lpg Mount	1
2	63810	(000000— )	Latch Assy, Lpg Tank Mtg, W/Nut	4
3	51839	(000000— )	Nut Adjustable, Lpg Tank Mtg	2
4	49263	(000000— )	Tie, Cable	3
5	82556	(000000—001039)	Bracket, Vaporizer	1
6	54930	(000000— )	Vaporizer, LPG	1

**HOW TO ORDER PARTS – See diagram above**

Only use TENNANT Company supplied or equivalent parts. Parts and supplies may be ordered online, by phone, by fax or by mail.

Follow the steps below to ensure prompt delivery.

1. **(A)** Identify the machine model.
2. **(B)** Identify the machine serial number from the data plate.
3. **(C)** Ensure the proper serial number is used from the parts list.
4. Identify the part number and quantity. Do not order by page or reference numbers.
5. Provide your name, company name, customer ID number, billing and shipping address, phone number and purchase order number.
6. Provide detail shipping instructions.

**(D)** ▽ – Identifies an assembly  
 ▲ – Identifies parts included in assembly

**EN**

**Please fill out at time of installation for future reference.**

Model No. – \_\_\_\_\_

Serial No. – \_\_\_\_\_

Machine Options – \_\_\_\_\_

Sales Rep. – \_\_\_\_\_

Sales Rep. phone no. – \_\_\_\_\_

Customer ID Number – \_\_\_\_\_

Installation Date – \_\_\_\_\_

**Tennant Company**  
 PO Box 1452  
 Minneapolis, MN 55440  
 Phone: (800) 553-8033 or (763) 513-2850  
 www.tennantco.com

Thermo-Sentry, Touch-N-Go, 1-STEP, Clean-Wedge, Variable Drain Valve, EasyOpen, Grip-N-Go, MaxPro2, Dura-Track, SmartRelease, InstantAccess, Duramer, FaST-PAK, ErgoSpace and Lower Total Cost of Ownership are US registered and unregistered trademarks of Tennant Company.

Specifications and parts are subject to change without notice.

Original Information, copyright © 2006 – 2013 TENNANT Company, Printed in U.S.A.

<b>CN</b>	<p><b>如何订购部件 - 参见下表</b></p> <p>仅使用 TENNANT 公司提供的或同等部件。部件和供应可以在线订购，通过电话、传真或邮件订购。请遵循下面的步骤确保及时交付。</p> <ol style="list-style-type: none"> <li>1. <b>(A)</b> 确定机器型号。</li> <li>2. <b>(B)</b> 从数据标签确定机器序列号。</li> <li>3. <b>(C)</b> 确保使用部件列表中的正确序列号。</li> <li>4. 确定部件号和数量。 不要按页面或参考编号订购。</li> <li>5. 提供您的姓名、公司名称、客户 ID 号、付帐和送货地址、电话号码和采购单编号。</li> <li>6. 提供详细的送货说明。</li> </ol> <hr/> <p><b>(D)</b> ▽ - 确定组件 ▲ - 确定组件中包含的组件</p>	<p><b>请在安装时填写供未来参考。</b></p> <p>型号 - _____</p> <p>序列号 - _____</p> <p>机器选项 - _____</p> <p>销售代表 - _____</p> <p>销售代表电话号码 - _____</p> <p>客户 ID 编号 - _____</p> <p>安装日期 - _____</p>
-----------	--	--

<b>ES</b>	<p><b>CÓMO SOLICITAR PIEZAS - Consulte el diagrama anterior.</b></p> <p>Utilice sólo las piezas suministradas por TENNANT Company o piezas equivalentes. Puede solicitar las piezas a través de internet, por teléfono, por fax o por correo.</p> <p>Siga los siguientes pasos para que la entrega sea rápida.</p> <ol style="list-style-type: none"> <li>1. <b>(A)</b> Indique el modelo de máquina.</li> <li>2. <b>(B)</b> Indique el número de serie de la etiqueta de datos.</li> <li>3. <b>(C)</b> Asegúrese de que indica el número de serie correcto de la lista de piezas.</li> <li>4. Indique la cantidad y el número de la pieza. No realice el pedido indicando el número de página o el de referencia.</li> <li>5. Incluya su nombre, el nombre de la empresa, el ID de cliente, las direcciones de envío y facturación, el número de teléfono y el número del pedido de compra.</li> <li>6. Facilite instrucciones de envío.</li> </ol> <hr/> <p><b>(D)</b> ▽ - identifica un conjunto ▲ - identifica piezas de un conjunto</p>	<p><b>Rellene estos datos cuando realice la instalación para utilizarlos como referencia en el futuro.</b></p> <p>Nº modelo - _____</p> <p>Nº serie - _____</p> <p>Opciones de la máquina - _____</p> <p>Vendedor - _____</p> <p>Nº teléfono vendedor - _____</p> <p>Nº cliente - _____</p> <p>Fecha de instalación - _____</p>
-----------	--	---

<b>FR</b>	<p><b>COMMENT COMMANDER DES PIÈCES DÉTACHÉES - Voir le schéma ci-dessus.</b></p> <p>Utilisez uniquement des pièces fournies par la société TENNANT ou équivalentes. Les pièces et fournitures peuvent être commandées en ligne, par téléphone, fax, ou par courrier.</p> <p>Suivez les étapes ci-dessous pour assurer une livraison rapide.</p> <ol style="list-style-type: none"> <li>1. <b>(A)</b> Identifiez le modèle de la machine.</li> <li>2. <b>(B)</b> Identifiez le numéro de série de la machine, à partir de l'étiquette signalétique.</li> <li>3. <b>(C)</b> Assurez-vous que le numéro de série correct est utilisé à partir de la liste de pièces détachées.</li> <li>4. Identifiez le numéro de pièce et la quantité. Ne commandez pas par page ou numéros de référence.</li> <li>5. Fournissez votre nom, le nom de votre société, votre numéro d'identification de client, l'adresse de facturation et d'expédition, le numéro de téléphone et le numéro du bon de commande.</li> <li>6. Fournissez des instructions d'expédition détaillées.</li> </ol> <hr/> <p><b>(D)</b> ▽ - identifie un assemblage ▲ - identifie les pièces composant l'assemblage</p>	<p><b>A remplir au moment de l'installation à titre de référence.</b></p> <p>Nº du modèle - _____</p> <p>Nº de série - _____</p> <p>Options de la machine - _____</p> <p>Agent commercial - _____</p> <p>Nº tél. de l'agent commercial - _____</p> <p>Numéro d'identification client - _____</p> <p>Date d'installation - _____</p>
-----------	--	---

<b>JP</b>	<p><b>パーツの発注方法 ? 上記の図を参照してください</b></p> <p>TENNANT社製のパーツまたは同等品のみをお使いください。パーツやサプライ品のご注文は、オンライン、電話、FAX、または手紙でお願いいたします。確実にお届けできるように、以下の情報お知らせください。</p> <ol style="list-style-type: none"> <li>1. <b>(A)</b> 製品のモデル名をお知らせください。</li> <li>2. <b>(B)</b> 製品のデータラベルに印刷されているシリアル番号をお知らせください。</li> <li>3. <b>(C)</b> パーツリストを参照して、シリアル番号が正しいかご確認ください。</li> <li>4. パーツ番号と数量をお知らせください。マニュアル/カタログのページ番号や参照番号でのご注文はご遠慮ください。</li> <li>5. お客様のお名前、会社名、顧客ID番号、請求/発送先住所、電話番号、注文書番号をお知らせください。</li> <li>6. 発送に関するご希望があれば、明記してください。</li> </ol> <hr/> <p><b>(D)</b> ▽ - アセンブリを示します ▲ - アセンブリに含まれるパーツを示します</p>	<p><b>後日確認できるように、設置時に記入してください。</b></p> <p>モデルNo. - _____</p> <p>シリアルNo. - _____</p> <p>製品のオプション - _____</p> <p>販売代理店 - _____</p> <p>販売代理店の電話番号 - _____</p> <p>顧客ID番号 - _____</p> <p>設置日 - _____</p>
-----------	---	---



# GENERAL RECOMMENDED MAINTENANCE

## General Recommended Maintenance Items

Ref.	Part No.	Serial Number	Description	Qty.
▽	9002553	(000000-005999 )	Maint Kit, Gas, 400hr[M20/T20]	1
▲	372575	(000000-005999 )	Sparkplug [Gm ]	4
▲	369746	(000000-005999 )	Element, Fltr, Air [Dn]	1
▲	372440	(000000-005999 )	Filter, Fuel [Gm 1.6l/3.0l]	1
▽	9002554	(000000-003122 )	Maint Kit, Lpg, 400hr[M20/T20]	1
▲	372575	(000000-003122 )	Sparkplug [Gm ]	4
▲	369746	(000000-003122 )	Element, Fltr, Air [Dn]	1
▲	372615	(000000-003122 )	Filter Kit, Fuelock, Lpg	1
▽	9007382	(003123-005999 )	Maint Kit, 400hr [M20/T20/M30 Lpg 2010]	1
▲	372575	(003123-005999 )	Sparkplug [Gm, 1pick=1plug]	4
▲	369746	(003123-005999 )	Element, Fltr, Air [Dn]	1
▲	9007380	(003123-005999 )	Filter, Fuelock,Lpg[Gm1.6l 2010]	1
▽	9002555	(000000- )	Maint Kit, Gas, 800hr[M20/T20]	1
▲	31613	(000000- )	Strainer, Hyd, 25 Gpm 100 Mesh	1
▲	25122	(000000- )	Cap, Breather, Hyd, 2.4 Ds	1
▲	1021579	(000000- )	Filter Assy [Pt4 936498]	1
▲	372440	(000000- )	Filter, Fuel [Gm 1.6l/3.0l]	1
▽	9002613	(000000-003122 )	Maint Kit, Lpg, 800hr[M20/T20]	1
▲	31613	(000000-003122 )	Strainer, Hyd, 25 Gpm 100 Mesh	1
▲	25122	(000000-003122 )	Cap, Breather, Hyd, 2.4 Ds	1
▲	1021579	(000000-003122 )	Filter Assy [Pt4 936498]	1
▲	372615	(000000-003122 )	Filter Kit, Fuelock, Lpg	1
▽	9007381	(003123- )	Maint Kit, 800hr [M20/T20/M30 Lpg 2010]	1
▲	31613	(003123- )	Strainer, Hyd, 025gpm 100mesh 03psi	1
▲	25122	(003123- )	Cap, Breather, Hyd, 2.4 Ds	1
▲	1021579	(003123- )	Filter Assy, Hyd, 10mic	1
▲	9007380	(003123- )	Filter, Fuelock,Lpg[Gm1.6l 2010]	1
	371972	(000000- )	Element, Fltr, Oil, Eng, Spin-On	1
	1048295AM	(000000- )	Filter, Panl, Syn, 4.2 X 20.0 X 30.0	1
	1027290	(000000- )	Filter, Soltn, 20mesh, Pm12 3.1d 02.6l	1
	87866	(000000- )	Key, Ignition [Set Of 2]	1
	10137	(000000- )	Battery, Wet, 12vdc 0475cca	1
	20833	(000000- )	Wheel, 3.0d 1.38w 0.50b	2
	1033644	(000000- )	Belt, Ribbed, 38.5l	1
	1024586	(000000- )	Skirt, Neo, .06, 06.85w 27.95l, 08 Hole	2
	1019295	(000000- )	Skirt, Neo, .18, 10.37w 27.95l, 12 H&S	2
	1020166	(000000- )	Skirt, Neo, .06, 12.00w 45.88l, 07 Hole	1
	1022009	(000000- )	Skirt, Neo, .06, 06.38w 40.86l, 06 Hole	1
	1022007	(000000- )	Skirt, Rbr, .37, 04.50w 40.94l, 06 Hole	1
	1017868	(000000- )	Blade, Sqge, Front [Linard]	1
	1031331	(000000- )	Blade, Sqge, Rear, Linatex	1
	83874	(000000- )	Gasket, Sqge	2
	1031011	(000000- )	Blade, Sqge, 37.08l Linatex	2
	1027719	(000000- )	Blade, Sqge, Front, 49.59l Pyu	1
	1031945	(000000- )	Blade, Sqge, Rear, 53.78L Pyu	1
	1031823	(000000- )	Blade, Sqge, .38 3.55w 038.3l, Ure	2
	9010622	(006000- )	Plug, Spark	4

# GENERAL RECOMMENDED MAINTENANCE

## General Recommended Maintenance Items

Ref.	Part No.	Serial Number	Description	Qty.
	1027716	(000000-003076 )	Squeegee Assy, Sba, Ure	1
	1059091	(003077-	Blade, Sqge, Side Brush, Urethane	1
	1059092	(003077-	Blade, Sqge, Side Brush, Urethane	1
	1025005	(000000-003076 )	Squeegee Assy, Sba, Linatex	1
	1046980	(003077-	Blade, Sqge, Side Brush, Linatex	1
	1047238	(003077-	Blade, Sqge, Side Brush, Linatex	1
	84597	(000000-	Tire Assy, Solid, 18.0x6.0 4.5bc/5bolt	1
	16411	(000000-	Paint, Airdry, Off-White, 12oz	1
	16412	(000000-	Paint, Airdry, Teal, 12oz, Solid	1
	377540	(000000-	Paint, Airdry, Blk, 12oz	1
	377538	(000000-	Paint, Airdry, Gray, 12oz [Enamel]	1
	377537	(000000-	Paint, Airdry, Iron Gray,12oz[Pwdr Coat]	1
	1057710	(000000-	Oil, Hyd [El, Iso 100, 01gal]	1
	1057711	(000000-	Oil, Hyd [El, Iso 100, 05gal]	1
	1069019	(000000-	Oil, Hyd [El, Iso 68, 01gal]	1
	1069020	(000000-	Oil, Hyd [El, Iso 68, 05gal]	1
	1057707	(000000-	Oil, Hyd [El, Iso 32, 01gal]	1
	1057708	(000000-	Oil, Hyd [El, Iso 32, 05gal]	1

**SECTION 2**

<b>Contents</b>	<b>Page</b>
Fig. 1 – Brushes, Replacement, Scrub Head	2-4
Fig. 2 – Brushes, Replacement, Side Brush	2-5
Fig. 3 – Main Frame Group	2-6
Fig. 4 – Operator Station Group	2-8
Fig. 5 – Operator Station Insulation Group	2-10
Fig. 6 – Instrument Panel Group	2-12
Fig. 7 – Seat Group	2-14
Fig. 8 – Steering Group	2-16
Fig. 9 – Front Cover Group	2-18
Fig. 10 – Engine Cover Group	2-20
Fig. 11 – Engine and Mount Group (000000–005999)	2-22
Fig. 12 – Engine and Mount Group, Gas (006000– )	2-24
Fig. 13 – Engine and Mount Group, LPG (006000– )	2-26
Fig. 14 – Engine EFI Group, Gasoline (000000–001999)	2-28
Fig. 15 – Engine EFI Group, Gasoline (002000–003122)	2-30
Fig. 16 – Engine EFI Group, Gasoline (003123–005999)	2-32
Fig. 17 – Engine EFI Group, Gasoline (006000– )	2-34
Fig. 18 – Engine EFI Group, LPG (000000–001999)	2-36
Fig. 19 – Engine EFI Group, LPG (002000–005999)	2-40
Fig. 20 – Engine EFI Group, LPG (006000– )	2-42
Fig. 21 – Engine Vaporizer Group, LPG (002000–003122)	2-44
Fig. 22 – Engine Vaporizer Group, LPG (003123–005999)	2-46
Fig. 23 – Engine Fuel Tank Group, Gasoline (000000–001999)	2-48
Fig. 24 – Engine Fuel Tank Group, Gasoline (002000– )	2-50
Fig. 25 – Engine Fuel Tank Group, LPG	2-52
Fig. 26 – Engine Air Cleaner Group, Gasoline (000000–001999)	2-54
Fig. 27 – Engine Air Cleaner Group, Gasoline (002000–005999)	2-56
Fig. 28 – Engine Air Cleaner Group, Gasoline (006000– )	2-58
Fig. 29 – Engine Air Cleaner Group, LPG (000000–001999)	2-60
Fig. 30 – Engine Air Cleaner Group, LPG (002000–005999)	2-62
Fig. 31 – Engine Air Cleaner Group, LPG (006000– )	2-64
Fig. 32 – Engine Alternator and Fan Group (000000–005999)	2-66
Fig. 33 – Engine Alternator and Fan Group (006000– )	2-68

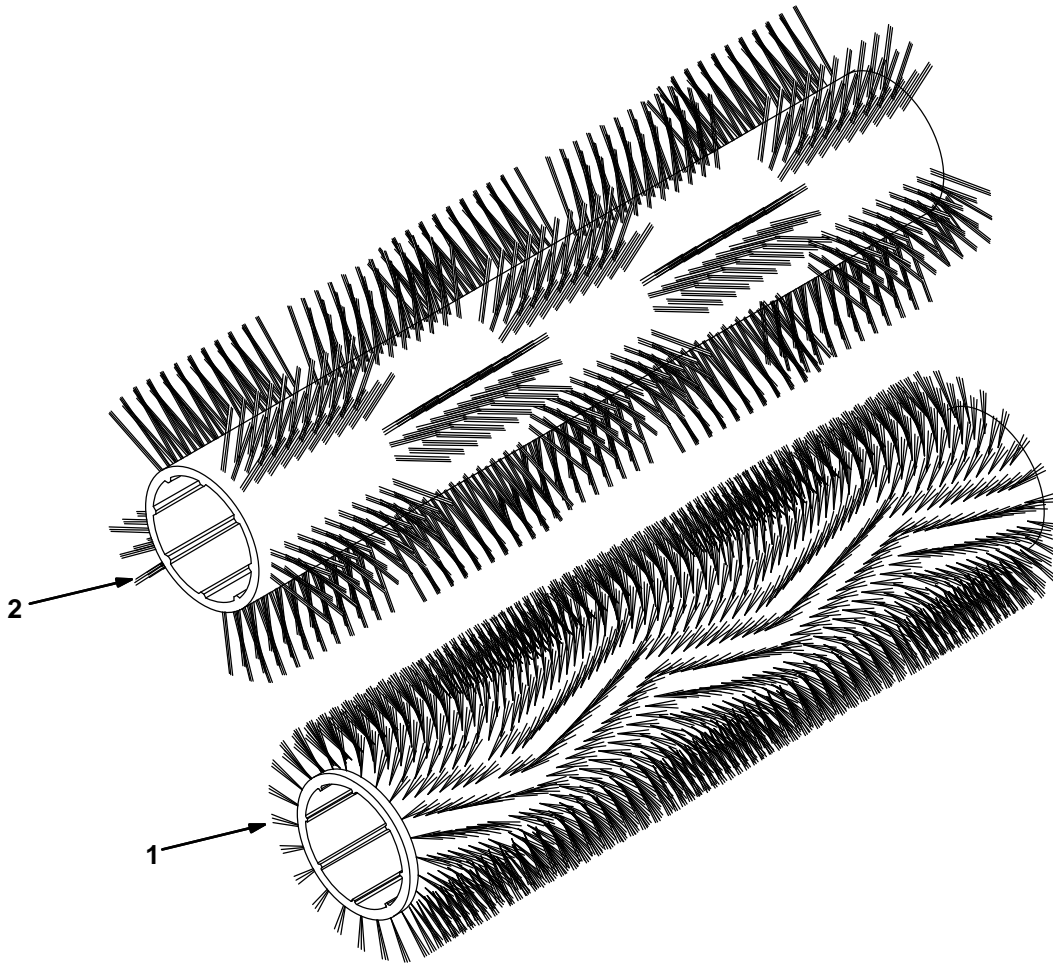
<b>Contents</b>	<b>Page</b>
Fig. 34 – Engine Muffler Group (000000–001999)	2-70
Fig. 35 – Engine Muffler Group (002000–005999)	2-72
Fig. 36 – Engine Muffler Group (006000– )	2-74
Fig. 37 – Engine Radiator Group (000000–003038)	2-76
Fig. 38 – Engine Radiator and Mount Group (003039–005999)	2-80
Fig. 39 – Engine Radiator and Mount Group (006000– )	2-82
Fig. 40 – Engine Radiator Hose Group (003039–005999)	2-84
Fig. 41 – Engine Radiator Hose Group (006000– )	2-86
Fig. 42 – Battery and Electrical Group	2-88
Fig. 43 – Wheel Group, Front Drive	2-90
Fig. 44 – Wheel Group, Rear	2-92
Fig. 45 – Brake Pedal Linkage Group	2-94
Fig. 46 – Directional Pedal Group	2-96
Fig. 47 – Hydraulic Pump Linkage Group	2-98
Fig. 48 – Hopper Lift Arms Group	2-100
Fig. 49 – Hopper and Debris Screen Group	2-102
Fig. 50 – Hopper Cover and Dust Filter Group	2-104
Fig. 51 – Hopper Bumper Group	2-106
Fig. 52 – Hopper Door Group (000000–003061)	2-108
Fig. 53 – Hopper Door Group (003062– )	2-110
Fig. 54 – Cylindrical Scrub Brush Drive Group, Left Side	2-112
Fig. 55 – Cylindrical Scrub Brush Drive Group, Right Side	2-114
Fig. 56 – Cylindrical Scrub Brush Head Lift Group	2-116
Fig. 57 – Cylindrical Brush Head Skirt Group	2-118
Fig. 58 – Squeegee Lift Group, Rear	2-120
Fig. 59 – Squeegee Group, Rear	2-122
Fig. 60 – Squeegee Linkage Group, Rear	2-124
Fig. 61 – Squeegee Group, Right Side	2-126
Fig. 62 – Squeegee Lift Group, Right Side	2-128
Fig. 63 – Squeegee Group, Left Side	2-130
Fig. 64 – Squeegee Lift Group, Left Side	2-132
Fig. 65 – Solution Tank Group	2-134
Fig. 66 – Solution Tank Drain Group	2-138
Fig. 67 – Solution Control Group	2-140
Fig. 68 – Recovery Tank Group	2-142
Fig. 69 – Recovery Tank Drain Group	2-144
Fig. 70 – Vacuum Fan Group, Scrubbing	2-146
Fig. 71 – Vacuum Fan Group, Sweeping	2-148
Fig. 72 – Hydraulic Schematic (000000–002699)	2-150

# STANDARD PARTS

<b>Contents</b>	<b>Page</b>	<b>Contents</b>	<b>Page</b>
Fig. 73 – Hydraulic Schematic (002700–003297) . . . . .	2-152	Fig. 101 – Electrical Wire Harness Group, Gasoline/LPG Engine Adapter Harness without Telemetry . . . .	2-235
Fig. 74 – Hydraulic Schematic (003298– ) . . . . .	2-154	Fig. 102 – Label Group . . . . .	2-236
Fig. 75 – Hydraulic Hose Group, Steering and Propel . . . . .	2-156		
Fig. 76 – Hydraulic Hose Group, Pump and Vacuum Fans . . . . .	2-158		
Fig. 77 – Hydraulic Hose Group, Brush and Hopper . . . . .	2-160		
Fig. 78 – Hydraulic Hose Group, Squeegee Lift . . . . .	2-162		
Fig. 79 – Hydraulic Pumps Group . . . . .	2-164		
Fig. 80 – Hydraulic Cooler and Tubes Group . . . . .	2-166		
Fig. 81 – Hydraulic Reservoir Group . . . . .	2-168		
Fig. 82 – Hydraulic Valves Group (000000–002699) . . . . .	2-170		
Fig. 83 – Hydraulic Valve Group (002700– ) . . . . .	2-172		
Fig. 84 – Electrical Schematic, GM (000000–001999) . . . . .	2-174		
Fig. 85 – Electrical Schematic, GM (002000–002532) . . . . .	2-178		
Fig. 86 – Electrical Schematic, GM (002533–005999) . . . . .	2-182		
Fig. 87 – Electrical Schematic, GM (003479–005999) . . . . .	2-188		
Fig. 88 – Electrical Schematic, Mitsubishi (006000– ) . . . . .	2-192		
Fig. 89 – Electrical Schematic, Gas/LPG Engine Harness, GM (000000–001999)	2-198		
Fig. 90 – Electrical Schematic, Gas Engine Harness, GM (002000–003122)	2-200		
Fig. 91 – Electrical Schematic, Gas Engine Harness, GM (003123–005999)	2-202		
Fig. 92 – Electrical Schematic, Gas Engine Harness, Mitsubishi (006000– ) . . . . .	2-204		
Fig. 93 – Electrical Schematic, LPG Engine Harness, GM (002000–003122)	2-206		
Fig. 94 – Electrical Schematic, LPG Engine Harness, GM (003123–005999)	2-208		
Fig. 95 – Electrical Schematic, LPG Engine Harness, Mitsubishi (006000– ) . . . . .	2-210		
Fig. 96 – Electrical Wire Harnesses Group, Main . . . . .	2-212		
Fig. 97 – Electrical Wire Harness Group, Headlight . . . . .	2-226		
Fig. 98 – Electrical Wire Harness Group, Hopper . . . . .	2-227		
Fig. 99 – Electrical Wire Harness Group, Hopper Cover . . . . .	2-230		
Fig. 100 – Electrical Wire Harness Group, Gasoline/LPG Engine . . . . .	2-232		



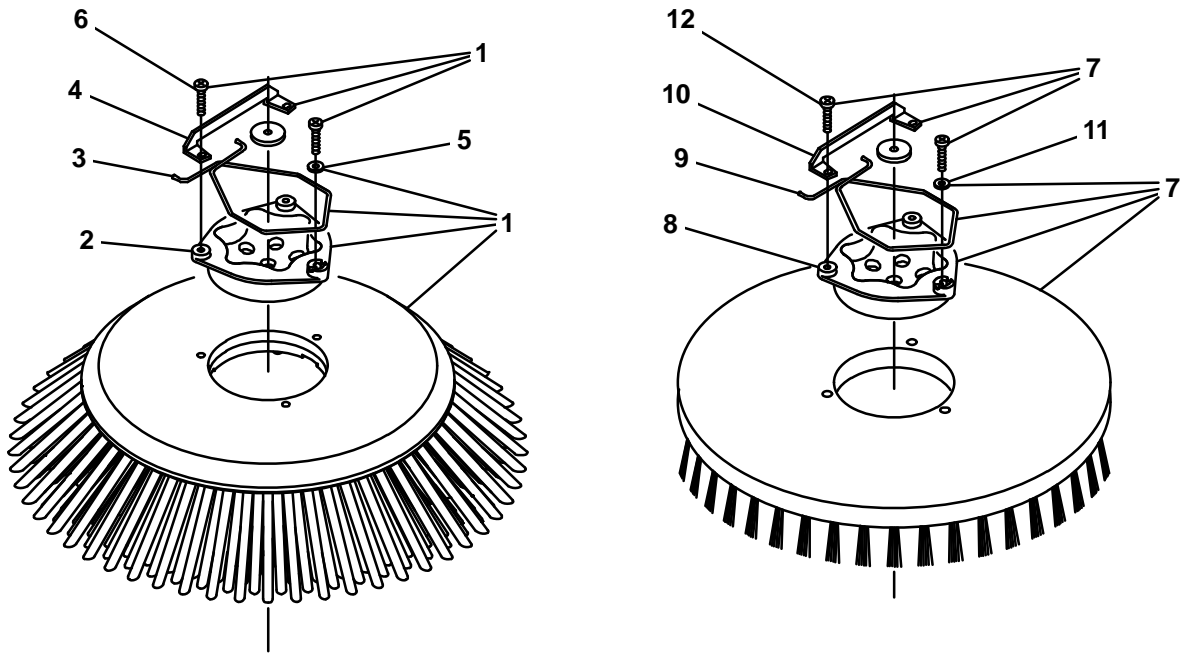
**Fig. 1 – Brushes, Replacement, Scrub Head**



354408

Ref.	Part No.	Serial Number	Description	Qty.
1	1026223	(000000– )	Brush, Sweep / Scb, 40L, Polypropylene	2
1	1026222	(000000– )	Brush, Sweep / Scb, 40L, Super Abrasive	2
1	1027697	(000000– )	Brush, Sweep / Scb, 40L, Polyester	2
1	1030969	(000000– )	Brush, Sweep / Scb, 40L, Heavy Duty Polypropylene	2
2	1040524	(000000– )	Brush, Sweep / Scb, 40L, Wndw, Polypropylene	1
2	1059640	(000000– )	Brush, Sweep / Scb, 40L, Wndw, Super Abrasive	1

Fig. 2 – Brushes, Replacement, Side Brush



354584

Ref.	Part No.	Serial Number	Description	Qty.
▽	1	1027688	(000000– ) Brush Assy, Disk, Sweep, 24.0d, Polypropylene	1
▲	2	15539	(000000– ) Hub, Drive, Brush, Disk, 3hole 5.8bc[6t]	1
▲	3	14838	(000000– ) Spring, Wir, 0.16d, Brush Retaining	1
▲	4	24299	(000000– ) Bracket, Retainer, Spring	1
▲	5	01684	(000000– ) Washer, Flat, 0.27b 0.69d .05, Ss	1
▲	6	32746	(000000– ) Screw, Pan, Phl, M6 X 1.00 X 35, Ss	3
▽	7	1042499	(000000– ) Brush Assy, Disk, Scrubbing, 16.0 D, Soft Nylon	1
▲	8	1017368	(000000– ) Hub, Drive, Brush, Disk, 3hole 5.8bc	1
▲	9	14838	(000000– ) Spring, Wir, 0.16d, Brush Retaining	1
▲	10	24299	(000000– ) Bracket, Retainer, Spring	1
▲	11	01684	(000000– ) Washer, Flat, 0.27b 0.69d .05, Ss	1
▲	12	32746	(000000– ) Screw, Pan, Phl, M6 X 1.00 X 35, Ss	3
▽	7	1042500	(000000– ) Brush Assy, Disk, Scrubbing, 16.0 D, Heavy Duty Polypropylene	1
▲	8	1017368	(000000– ) Hub, Drive, Brush, Disk, 3hole 5.8bc	1
▲	9	14838	(000000– ) Spring, Wir, 0.16d, Brush Retaining	1
▲	10	24299	(000000– ) Bracket, Retainer, Spring	1
▲	11	01684	(000000– ) Washer, Flat, 0.27b 0.69d .05, Ss	1
▲	12	32746	(000000– ) Screw, Pan, Phl, M6 X 1.00 X 35, Ss	3
▽	7	1042504	(000000– ) Brush Assy, Disk, Scrubbing, 16.0 D, Super Abrasive	1
▲	8	1017368	(000000– ) Hub, Drive, Brush, Disk, 3hole 5.8bc	1
▲	9	14838	(000000– ) Spring, Wir, 0.16d, Brush Retaining	1
▲	10	24299	(000000– ) Bracket, Retainer, Spring	1
▲	11	01684	(000000– ) Washer, Flat, 0.27b 0.69d .05, Ss	1
▲	12	32746	(000000– ) Screw, Pan, Phl, M6 X 1.00 X 35, Ss	3

Fig. 3 – Main Frame Group

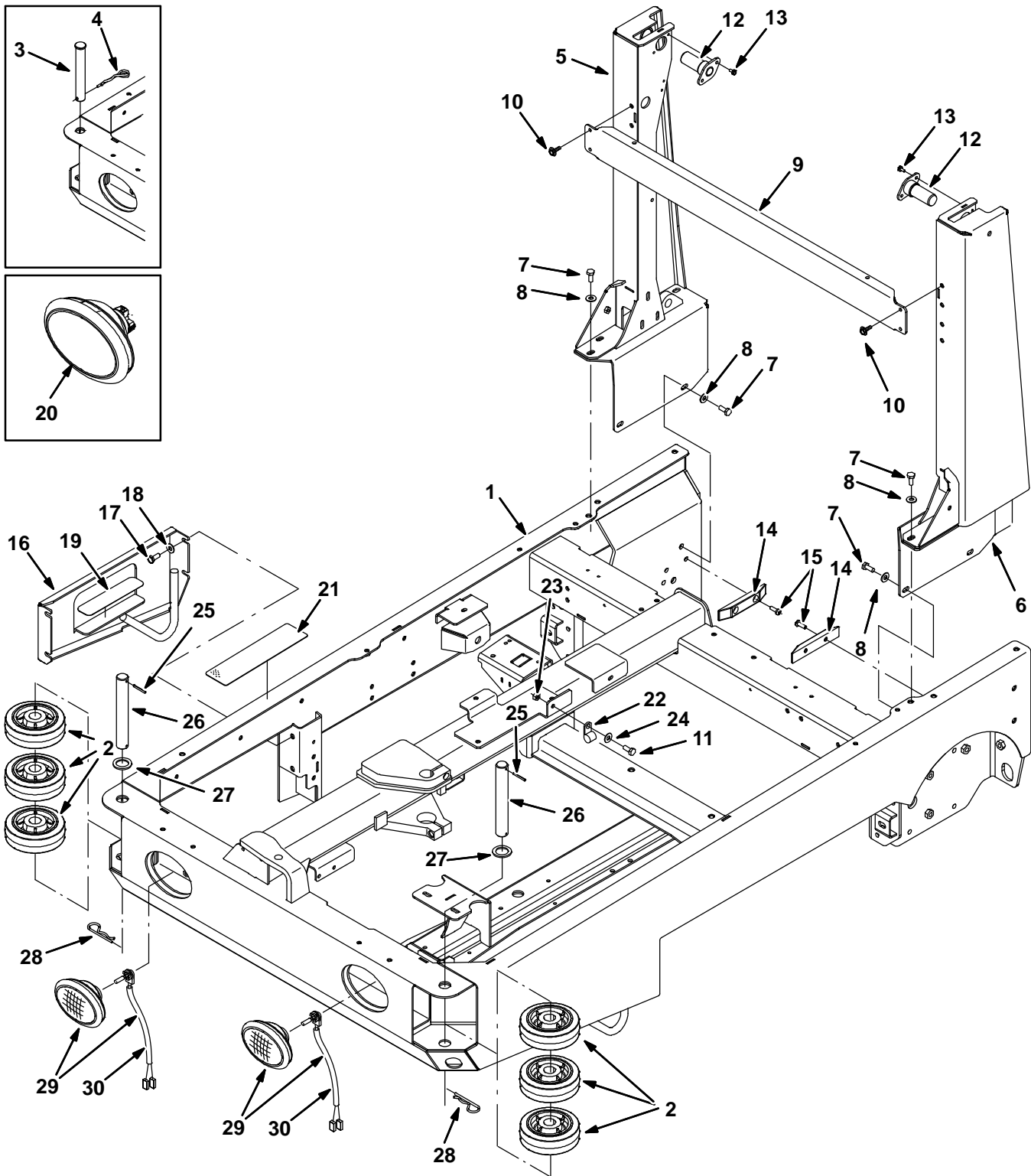


Fig. 3 – Main Frame Group

Ref.	Part No.	Serial Number	Description	Qty.	
1	9002401	(000000– )	Frame Wldt, Main, Replmt [m20 & T20]	1	
2	1060130	(000000– )	Wheel, 06.0D 2.00W 1.19B, Gray Rbr	6	
3	9006334	(000000–003062 )	Pin Kit, Wheel, Ci [M20/T20/M30]	2	
4	761490	(000000–003062 )	Pin, Cotter, Hair, Dbl	2	
5	9002400	(000000– )	Tower, Wldt, Lift, Rh, Replmt [M20]	1	
6	9002399	(000000– )	Tower, Wldt, Lift, Lh, Replmt [M20]	1	
7	39283	(000000– )	Screw, Hex, M10 X 1.5 X 25, 8.8	10	
8	32492	(000000– )	Washer, Flat, 0.38 Std	10	
9	1017791	(000000– )	Channel, Upper, Tower, Lift	1	
10	1037346	(000000– )	Screw, Hex, M8 X 1.25 X 25, 9.8, Sems	4	
11	39277	(001338– )	Screw, Hex, M8 X 1.25 X 25, 8.8	1	
12	1019251	(000000– )	Pin Wldt, Pivot, Hppr	2	
13	74455	(000000– )	Screw, Hex, M6 X 1.0 X 12, Fmg	4	
14	1021327	(000000– )	Block, Guide, Hppr	2	
15	367771	(000000– )	Screw, Pan, M8 X 1.25 X 25, Ss	4	
16	1027916	(000000– )	Panel Wldt, Filler	1	
17	12317	(000000– )	Screw, Hex, M10 X 1.5 X 30, Ss	4	
18	01686	(000000– )	Washer, Flat, 0.44b 1.00d .08, Ss	4	
19	363458	(000000– )	Tread, Non–Skid, 01.9w 08.0l	1	
▽	20	1019225	(000000–003382 )	Headlight, 12vdc, 27watt, 2.1a, Oval (Rpl by 1060942)	2
▲		1031826	(000000–003382 )	Lamp, 12vdc [Speaker]	1
▲		1031827	(000000–003382 )	Receptacle, Lamp [Speaker]	1
	21	58819	(000000– )	Tread, Non–Skid, 03.0w 11.6l	1
	22	53466	(001338– )	Clamp, Cable, Stl, 1.50d X 1.00w, 1hole	1
	23	08709	(001338– )	Nut, Hex, Lock, M8 X 1.25, NI	1
	24	32491	(001338– )	Washer, Flat, 0.31, Std	1
	25	23146	(003063– )	Pin, Roll, .187d X 1.62l, .187/.192	2
	26	1053838	(003063– )	Pin, 30mmd X 215mml	2
	27	1062566	(003063– )	Washer, Flat, 1.26B 1.88D .13, Stl, Pl	2
	28	34411	(003063– )	Pin, Cotter, Hair, 1.00d .178 Wir	2
▽	29	1060942	(003383– )	Headlight, 12Vdc, Oval, Halogen	2
▲	30	9007513	(003383– )	Lamp, Halogen [Speaker]	1

**Fig. 4 – Operator Station Group**

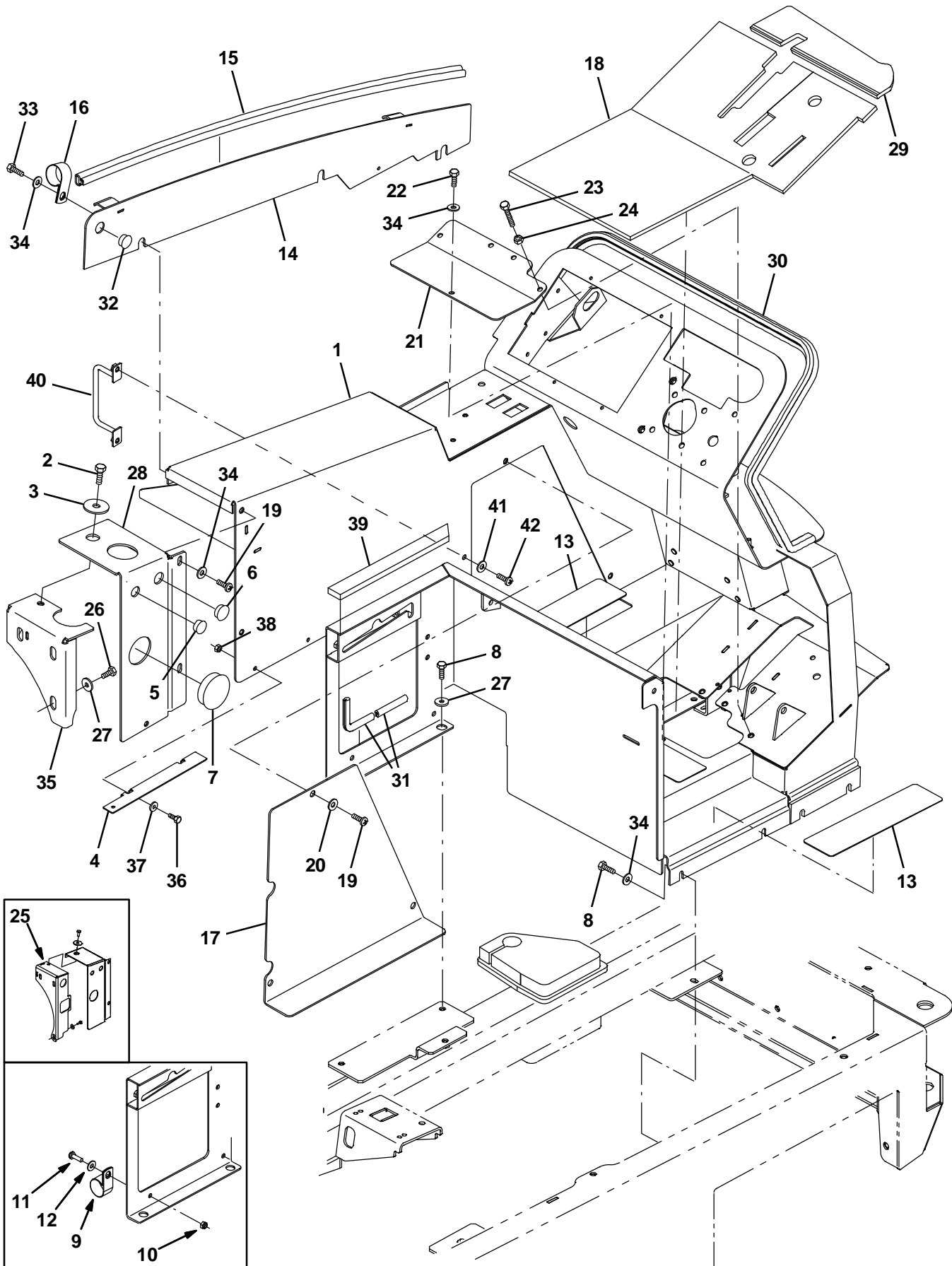


Fig. 4 – Operator Station Group

Ref.	Part No.	Serial Number	Description	Qty.
1	9002409	(000000– )	Panel Wldt, Gas, Replmt	1
1	9002380	(000000– )	Panel Wldt, Gas, Replmt [W/Fast]	1
1	9002381	(000000– )	Panel Wldt, Gas, W/ Es, Replmt	1
1	9003422	(000000– )	Panel Wldt, Gas, Replmt, TJ (Japan only)	1
1	9003425	(000000– )	Panel Wldt, Gas, Replmt, TJ [W/Fast] (Japan only)	1
1	9003428	(000000– )	Panel Wldt, Gas, Replmt, TJ, W/Es (Japan only)	1
1	9003431	(000000– )	Panel Wldt, LPG, Replmt	1
1	9003432	(000000– )	Panel Wldt, LPG, Replmt [W/Fast]	1
1	9003433	(000000– )	Panel Wldt, LPG, Replmt, W/Es	1
1	9003423	(000000– )	Panel Wldt, LPG, Replmt, TJ (Japan only)	1
1	9003426	(000000– )	Panel Wldt, LPG, Replmt, TJ [W/Fast] (Japan only)	1
1	9003429	(000000– )	Panel Wldt, LPG, Replmt, TJ, W/Es (Japan only)	1
2	39283	(000000– )	Screw, Hex, M10 X 1.5 X 25, 8.8	1
3	04414	(000000– )	Washer, Flat, 0.53b 1.88d .12, Stl, PI	1
4	1047169	(000000– )	Bracket, Mtg, Insulation	2
5	82727	(000000– )	Plug, Hole, Rnd, 0.88h .03–.12, Blk Nyl	1
6	01493	(000000– )	Plug, Hole, Rnd, 1.00h .03–.12, Blk Nyl	1
7	1030017	(000000– )	Plug, Hole, Rnd, 2.50h .03–.25, Blk Nyl	1
8	16931	(000000– )	Screw, Hex, M8 X 1.25 X 20, 8.8	8
9	70157	(000000–001337 )	Clamp, Cable, Ss, 2.50d X 1.00w, 1h	1
10	08709	(000000–001337 )	Nut, Hex, Lock, M8 X 1.25, NI	2
11	39277	(000000–001337 )	Screw, Hex, M8 X 1.25 X 25, 8.8	7
12	32491	(000000–001337 )	Washer, Flat, 0.31, Std	18
13	58819	(000000– )	Tread, Non–Skid, 03.0w 11.6l	4
14	1025435	(000000–001999 )	Panel Wldt, Adj	1
14	1035832	(002000– )	Panel Wldt, Adj [2007]	1
15	1030593	(000000– )	Seal, Afmkt, Bulb, 90, 0.75d F/11ga 08ft	1
16	53466	(000000– )	Clamp, Cable, Stl, 1.50d X 1.00w, 1h	5
17	1021834	(000000– )	Panel, Access, Door	1
18	1027218	(000000– )	Mat, Floor	1
19	1031665	(000000– )	Screw, Pan, M8 X 1.25 X 25, Blk	4
20	39349	(000000– )	Washer, Flat, 0.31 Sae	3
21	1022699	(000000– )	Panel, Access, Floor	1
22	16931	(000000– )	Screw, Hex, M8 X 1.25 X 20, 8.8	4
23	363976	(000000– )	Screw, Hex, M8 X 1.25 X 60, 8.8, FI	1
24	39311	(000000– )	Nut, Hex, Std, M8 X 1.25	1
25	1020540	(000000–002412 )	Bracket Wldt, Mtg, Tank	1
26	09740	(000000– )	Screw, Hex, M8 X 1.25 X 20, Ss	3
27	1017218	(000000– )	Washer, Flat, 0.32b 1.00d .12, Ss	5
28	1033975	(000000– )	Bracket, Mtg	1
29	1027267	(000000– )	Mat, Floor	1
30	1020904	(000000– )	Seal, Panl, Instmt	1
31	1020168	(000000– )	Molding, Afmkt, Trim, Pvc, .08 .11, 1ft	1
32	80288	(002000– )	Plug, Hole, Rnd, 0.81h, Blk	1
33	39277	(000000– )	Screw, Hex, M8 X 1.25 X 25, 8.8	6
34	32491	(000000– )	Washer, Flat, 0.31, Std	17
35	1035997	(002413– )	Bracket Wldt, Mtg, Tank	1
36	06942	(000000– )	Screw, Hex, M6 X 1.00 X 16, 8.8	2
37	32490	(000000– )	Washer, Flat, 0.25, Std	2
38	08708	(000000– )	Nut, Hex, Lock, M6 X 1.00, NI	2
39	1047295	(000000– )	Seal, Foam, 0.50	1
40	1071616	(006000– )	Bracket Wldt, Mtg, Hose	1
41	1031665	(006000– )	Screw, Pan, M8 X 1.25 X 25, Blk	2
42	39349	(006000– )	Washer, Flat, 0.31 Sae	2

Fig. 5 – Operator Station Insulation Group

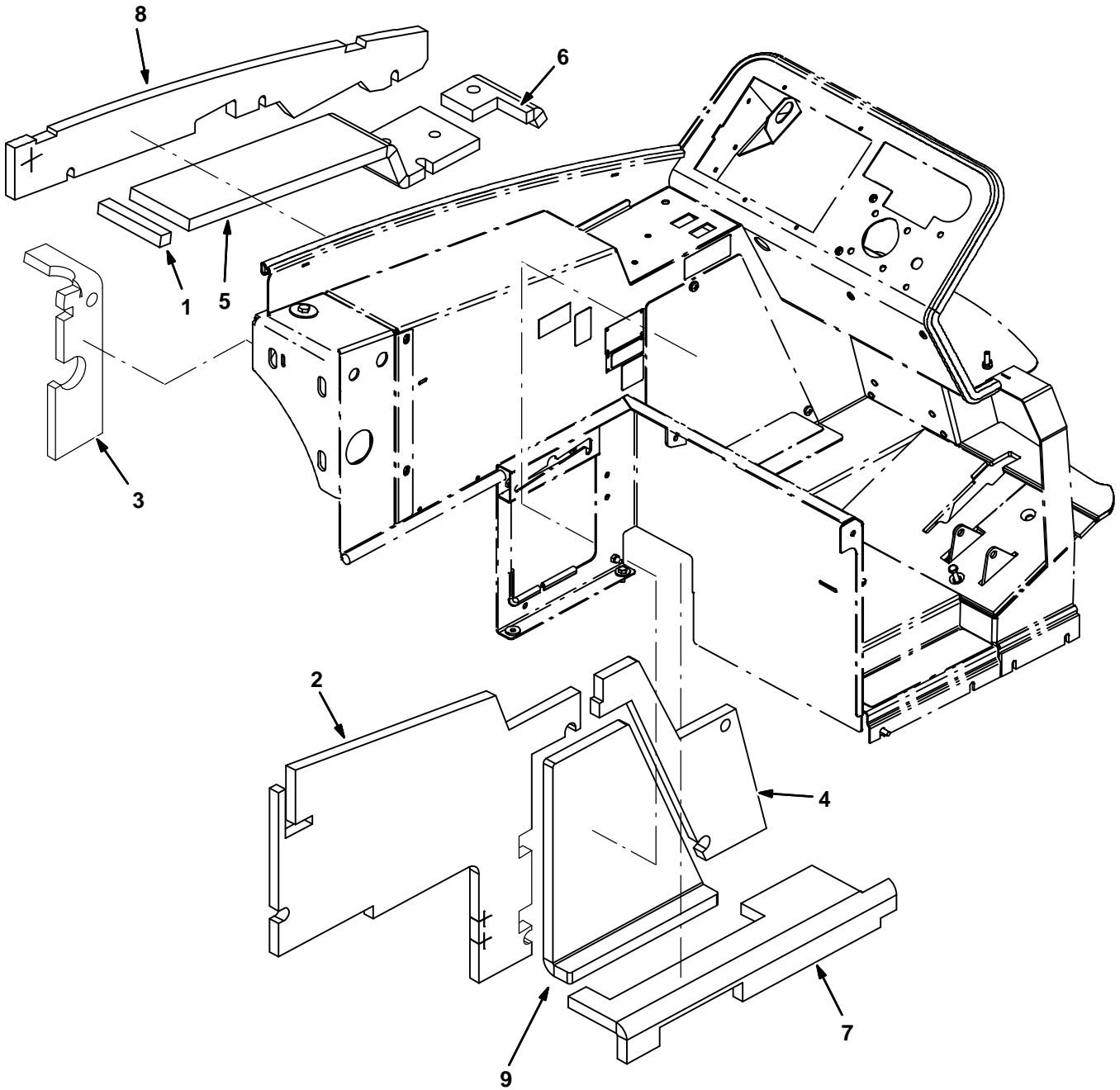


Fig. 5 – Operator Station Insulation Group

Ref.	Part No.	Serial Number	Description	Qty.
1	1034769	(000000–	) Insulation, Flame-retardant, 0.75–0.88	1
2	1034765	(000000–	) Insulation, Flame-retardant, 0.75–0.88	1
3	1040841	(000000–	) Insulation, Flame-Retardant, 0.75–0.88	1
4	1023464	(000000–	) Insulation, Flame-Retardant, 0.75–0.88	1
5	1034764	(000000–	) Insulation, Flame-retardant, 0.75–0.88	1
6	1034766	(000000–	) Insulation, Flame-retardant, 0.75–0.88	1
7	1034768	(000000–	) Insulation, Flame-retardant, 0.75–0.88	1
8	1034770	(000000–	) Insulation, Flame-retardant, 0.75–0.88	1
9	1023569	(000000–	) Insulation, Flame-Retardant, 0.75–0.88	1

Fig. 6 – Instrument Panel Group

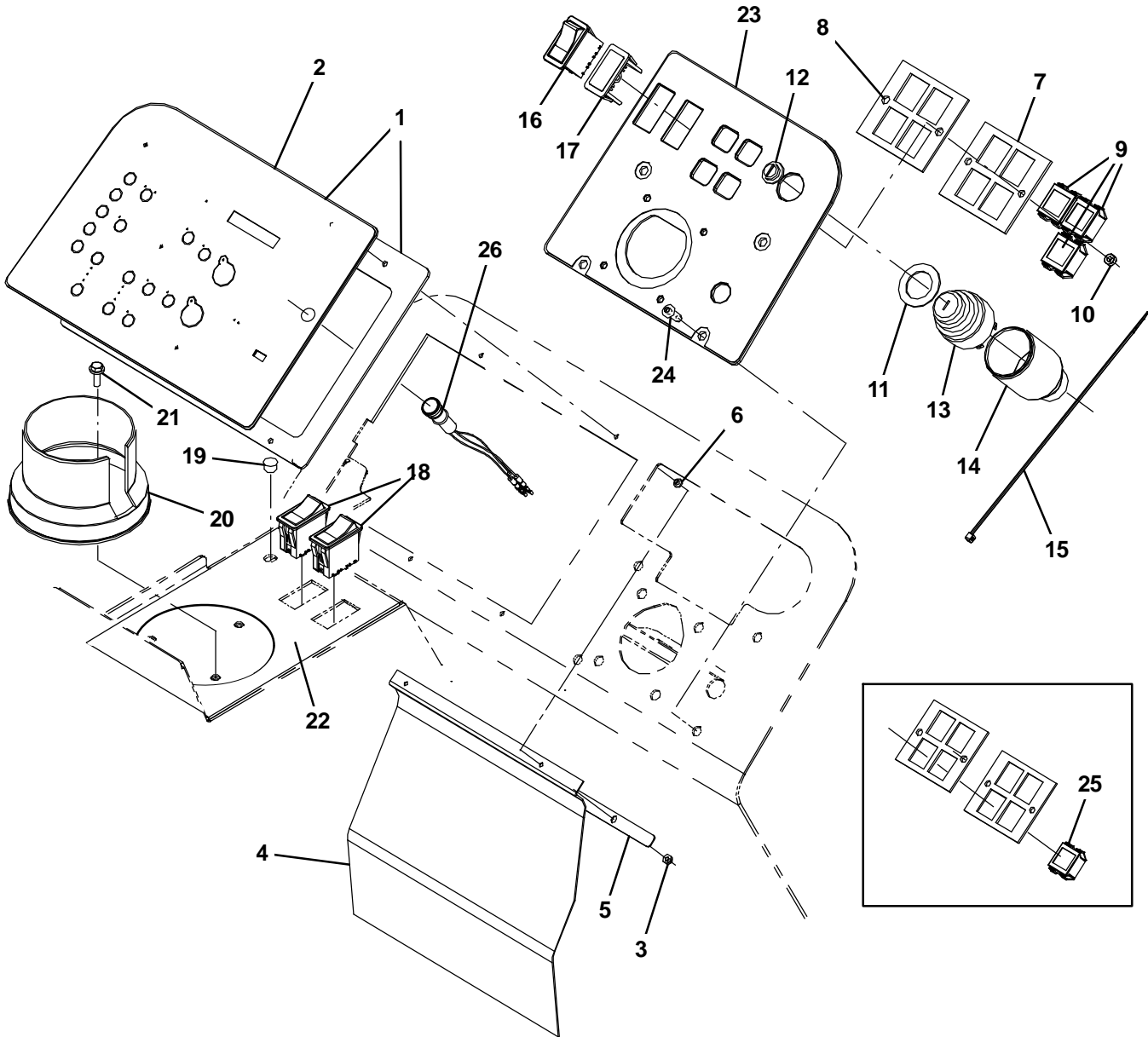


Fig. 6 – Instrument Panel Group

	Ref.	Part No.	Serial Number	Description	Qty.
▽	1	9003453	(000000–	) Panel Kit, Instmt, Repair [M20/M30]	1
▲	2	9002435	(000000–	) Label Kit, Panel, Replmt [M20]	1
▽	1	9007912	(000000–	) Panel, Kit, Instmt, Replmt [M20/M30 ec–H20 only]	1
▲	2	9007913	(000000–	) Label Kit, Panel, Replmt [M20/M30 ec–H20 only]	1
	3	16968	(000000–	) Nut, Hex, Lock, #08–32, NI	4
	4	1028769	(000000–	) Flap, Battery	1
	5	1028772	(000000–	) Bar, Flat, Ss, .06 X .50 X 10.0l 2/.19sl	1
	6	1029362	(000000–	) Washer, Shld, Nyl [8–32]	4
	7	361071	(000000–	) Plate, Mtg, Light	1
	8	361073	(000000–	) Seal, Rbr, Clsd, 0.13, Instmt Panl	1
	9	361075	(000000–	) Light, Panl, 14vdc, , 1.1 X 1.0	3
	10	08712	(000000–	) Nut, Hex, Lock, M6 X 1.0, Ss, NI	2
	11	73736	(000000–	) Washer, Flat, 1.15b 1.75d .08, Stl	1
	12	382516	(000000–	) Boot, .63id .29l .90w	1
▽	13	87536	(000000–	) Switch, Ignition [Ku]	1
▲		87866	(000000–	) Key, Ignition [Set Of 2]	1
	14	383165	(000000–	) Boot, Switch, Ignition	1
	15	49266	(000000–	) Tie, Cable, Nyl, 07.3l .19w 1.8 Max D	2
	16	392171	(000000–	) Switch, Rocker, Dpdt On/Off/On	1
	17	398501	(000000–	) Plug, Hole, Rt, Rocker Switch, .87 X 1.7	1
	18	398508	(000000–	) Switch, Rocker, Dpdt Mom/Off/Mom	2
	19	56992	(000000–	) Plug, Hole, Rnd, 0.50h .03–.12, Blk Nyl	1
	20	223599	(000000–	) Cup Holder, Rwk	1
	21	1036892	(000000–	) Screw, Hex, M6 X 1.00 X 25, 9.8 Sems	3
	22	1024287	(000000–	) Label, Switch, Rocker [M20/M30]	1
	23	9004880	(000000–	) Panel, Instmt, Rh, Gas, Replmt	1
	23	9002391	(000000–	) Panel, Instmt, Rh, Lpg, Replmt	1
	23	9002392	(000000–	) Panel, Instmt, Rh, Lpg, Replmt, Ce (Japan and CE Only)	1
	24	1031665	(000000–	) Screw, Pan, M8 X 1.25 X 25, Blk	4
	25	361075	(000000–002886	) Light, Panl, 14vdc, , 1.1 X 1.0	1
	26	1041822	(000000–	) Light, Led, .312D, 2 Volt [Tri–Color] (ec–H20 only)	1

Fig. 7 – Seat Group

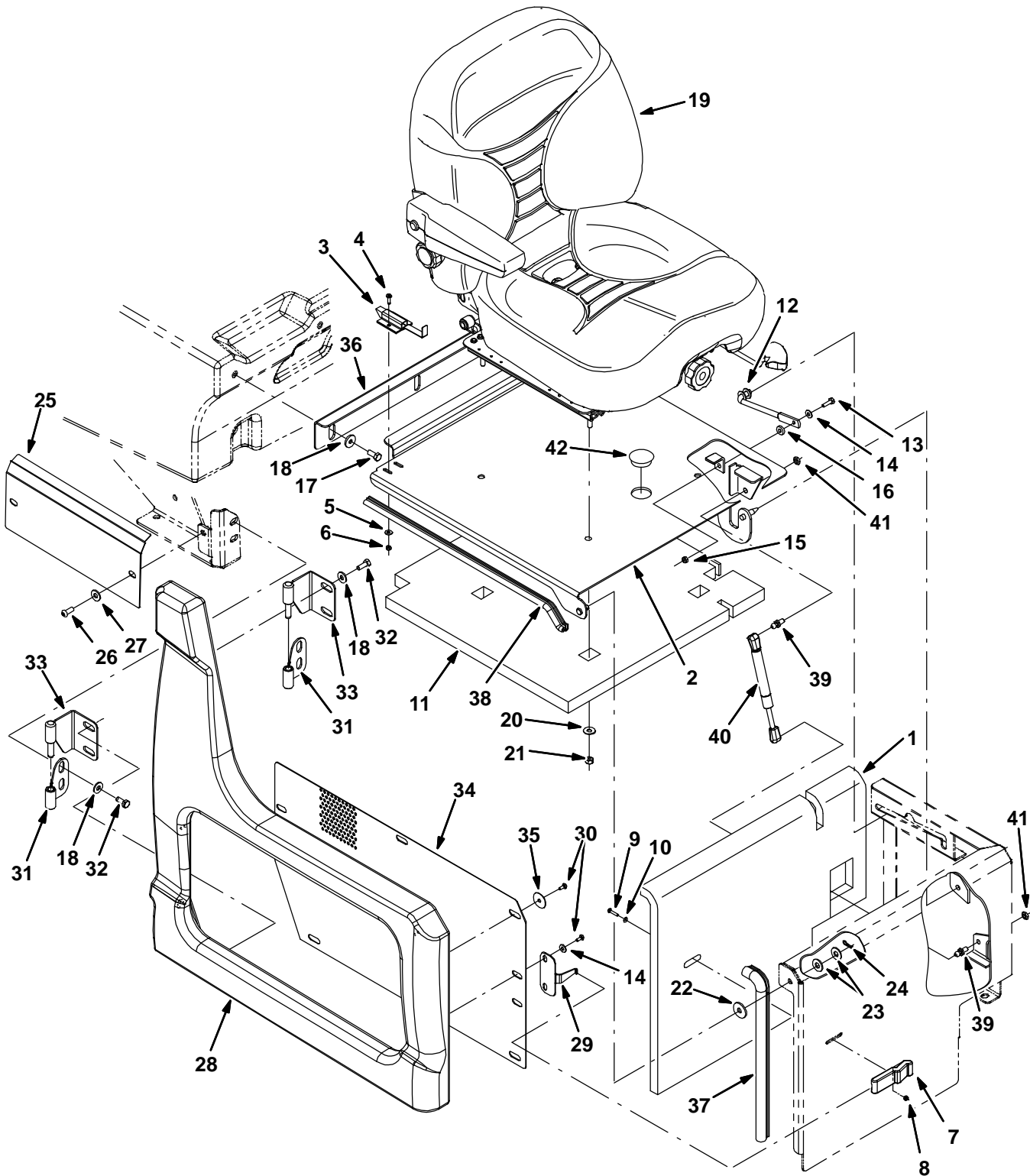


Fig. 7 – Seat Group

Ref.	Part No.	Serial Number	Description	Qty.	
1	1034767	(000000–)	) Insulation, Flame-retardant, 0.75–0.88	1	
2	1019228	(000000–)	) Plate Wldt, Seat	1	
3	1025736	(000000–)	) Latch	1	
4	09252	(000000–)	) Screw, Hex, M5 X 0.8 X 20, 8.8	2	
5	19066	(000000–)	) Washer, Flat, #10	2	
6	06549	(000000–)	) Nut, Hex, Lock, M5 X 0.8, NI	2	
7	49800	(000000–)	) Latch	1	
8	02850	(000000–)	) Nut, Hex, Lock, M4 X 0.7, NI	4	
9	06929	(000000–)	) Screw, Pan, M4 X 0.7 X 25, 4.8	4	
10	19065	(000000–)	) Washer, Flat, #08	2	
11	1023499	(000000–)	) Insulation, Flame-Retardant, 1.0	1	
12	223080	(000000–)	) Arm Wldt, Safety, Sppt, Seat, .38d 06.5d	1	
13	06943	(000000–)	) Screw, Hex, M6 X 1.0 X 20, 8.8	1	
14	32483	(000000–)	) Washer, Flat, 0.25 Sae	9	
15	08708	(000000–)	) Nut, Hex, Lock, M6 X 1.0, NI	1	
16	21851	(000000–)	) Spacer, Plstc, Ny	1	
17	09740	(000000–)	) Screw, Hex, M8 X 1.25 X 20, Ss	3	
18	1017218	(000000–)	) Washer, Flat, 0.32b 1.00d .12, Ss	11	
▽	19	1022105	(000000–)	) Seat, Suspension, W/1 Arm And Belt	1
▲		1066893	(000000–)	) Seatbelt, Retractable [Deluxe Seat]	1
▲		1048955	(000000–)	) Switch, Seat, No [Delta 6440–04]	1
	20	32491	(000000–)	) Washer, Flat, 0.31, Std	4
	21	32983	(000000–)	) Nut, Hex, Lock, .31–18, NI	4
	22	364749	(000000–)	) Washer, Flat, 0.41b 1.25d .12, Pye	1
	23	32492	(000000–)	) Washer, Flat, 0.38 Std	2
	24	08085	(000000–)	) Pin, Cotter, Hair, 0.31d .058 Wir	1
	25	1022005	(000000–)	) Cover, Lower	1
	26	1031665	(000000–)	) Screw, Pan, M8 X 1.25 X 25, Blk	2
	27	39349	(000000–)	) Washer, Flat, 0.31 Sae	2
	28	1018776	(000000–)	) Shroud, Seat	1
	29	1026825	(000000–)	) Bracket, Latch, Shrd, Seat	1
	30	09200	(000000–)	) Screw, Pan, M5 X 0.8 X 12, Ss	8
	31	1024464	(000000–)	) Hinge Wldt, Shrd, Rh	2
	32	16931	(000000–)	) Screw, Hex, M8 X 1.25 X 20, 8.8	8
	33	1024425	(000000–)	) Hinge Wldt, Shrd, Rh	2
	34	1025916	(000000–)	) Grill, Side	1
	35	41178	(000000–)	) Washer, Flat, 0.25 Fendr	6
	36	1020487	(000000–)	) Bracket, Seat, Adj	1
	37	1030588	(000000–)	) Seal, Afmkt, Bulb, 90, 0.75d F/11ga 02ft	1
	38	1031206	(000000–)	) Seal, Afmkt, Bulb, 90, 0.50d, 02ft	1
	39	58494	(001299–)	) Stud, Ball, .39d .31–16, Gasspring	2
	40	368391	(001299–)	) Gasspring, 180lb, 03.0strk	1
	41	01760	(001299–)	) Nut, Hex, Lock, .31–18, NI, Thin	2
	42	76888	(002886–)	) Plug, Hole, Rnd, 1.25H .03–.12, Blk Nyl	1

**Fig. 8 - Steering Group**

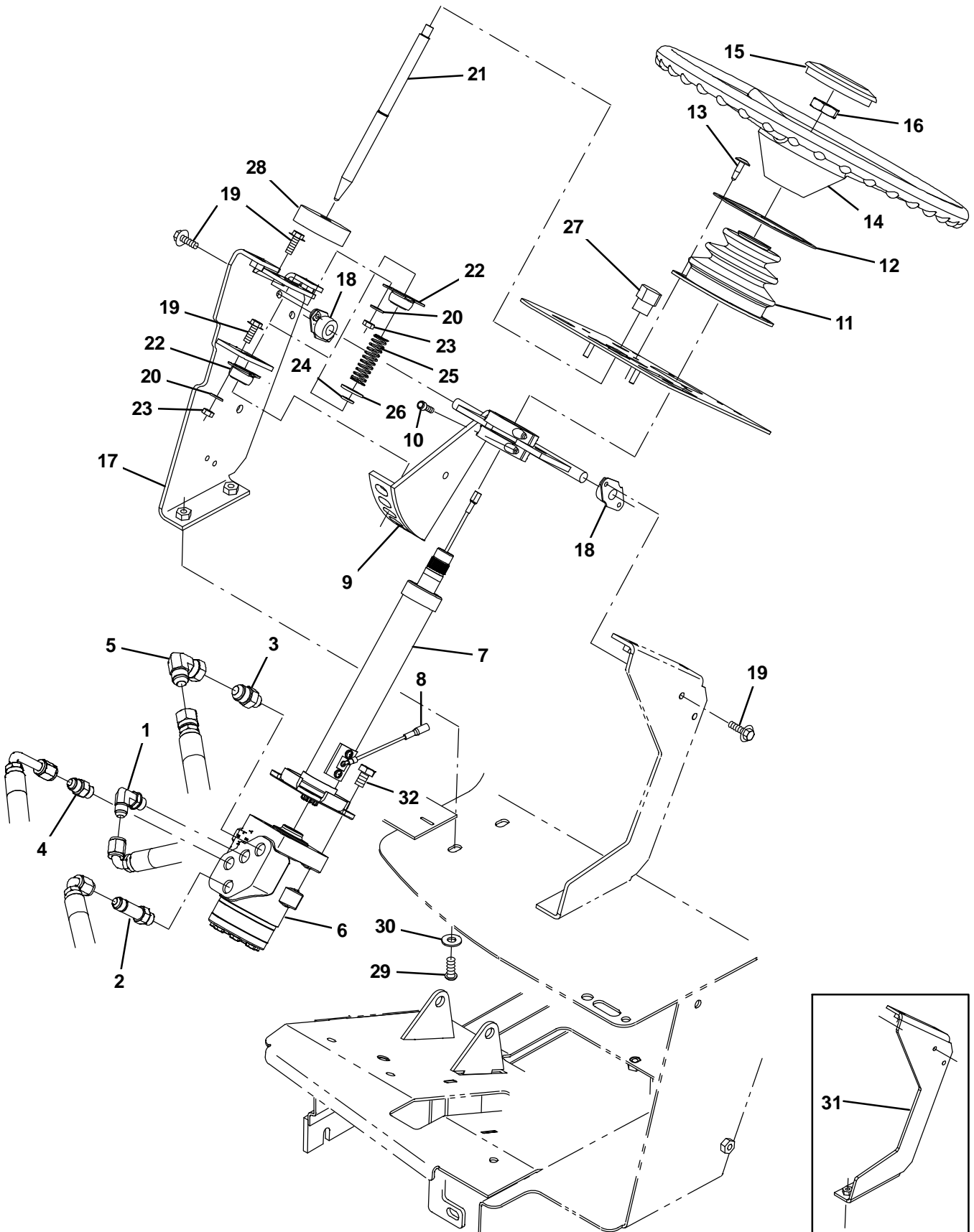


Fig. 8 – Steering Group

Ref.	Part No.	Serial Number	Description	Qty.	
1	56820	(000000–	) Fitting, Hyd, E90, Jm06/Om06	1	
2	59577	(000000–	) Fitting, Hyd, Str, Jm06/Om06, L	1	
3	56835	(000000–	) Fitting, Hyd, Str, Jm08/Om06	1	
4	56690	(000000–	) Fitting, Hyd, Str, Jm06/Om06	1	
5	17980	(000000–	) Fitting, Hyd, E90, Jf08/Jm08	1	
6	1024260	(000000–	) Steer–Control, Hyd#05, 06.1 2030 (See Breakdowns)	1	
▽	7	1021265	(000000–	) Column, Steering, 09.9L 0.86D 36Tooth	1
▲	8	388153	(000000–	) Contact Kit, W/ Brush [En]	4
▽	9	73027	(000000–	) Bracket Wldt, Steering, Tilt	1
▲	10	01681	(000000–	) Screw, Soc, .25–20 X 0.75, Al	4
11	70622	(000000–	) Boot, Bellows, 3.1l 4.4w 2.8h 1hole, Neo	1	
12	70623	(000000–	) Retainer, Boot, Steering Column	1	
13	72970	(000000–	) Rivet, Plstc, .250d X 0.898	4	
14	768481	(000000–	) Wheel, Steering, 14.3d 0.81b 36tooth	1	
15	1024478	(000000–	) Button, Cntrl, Horn	1	
16	56185	(000000–	) Nut, Hex, Jam, M20 X 1.5	1	
17	1024695	(000000–	) Bracket Wldt, Tilt, Rh	1	
18	70709	(000000–	) Bearing, Flng, 2–Hole, 0.50b	2	
19	1040467	(000000–	) Screw, Hex, M6 X 1.00 X 20, 9.8, Sems	8	
20	32483	(000000–	) Washer, Flat, 0.25 Sae	4	
21	1023926	(000000–	) Pin, Locking, Steering, Tilt	1	
22	47585	(000000–	) Bearing, Flng, 2hole, 0.50b [Nyl]	2	
23	08708	(000000–	) Nut, Hex, Lock, M6 X 1.0, NI	4	
24	70717	(000000–	) Ring, Retaining, Ext, 0.50d, Hd	1	
25	22290	(000000–	) Spring, Cmpr, 18.8d, 1.6w, 57.1l	1	
26	32486	(000000–	) Washer, Flat, 0.50 Sae	1	
27	04706	(000000–	) Knob, Tee, 2.5x1.0 1.1l 0.38–16 Plstc	1	
28	75968	(000000–	) Insulation, Acstc, Rnd, 0.8, 02.5d 0.5h	1	
29	1031665	(000000–	) Screw, Pan, M8 X 1.25 X 25, Blk	2	
30	32491	(000000–	) Washer, Flat, 0.31, Std	2	
31	1024157	(000000–001052	) Bracket, Tilt, Lh	1	
32	06960	(000000–	) Screw, Hex, M10 X 1.5 X 16, 8.8	4	

Fig. 9 – Front Cover Group

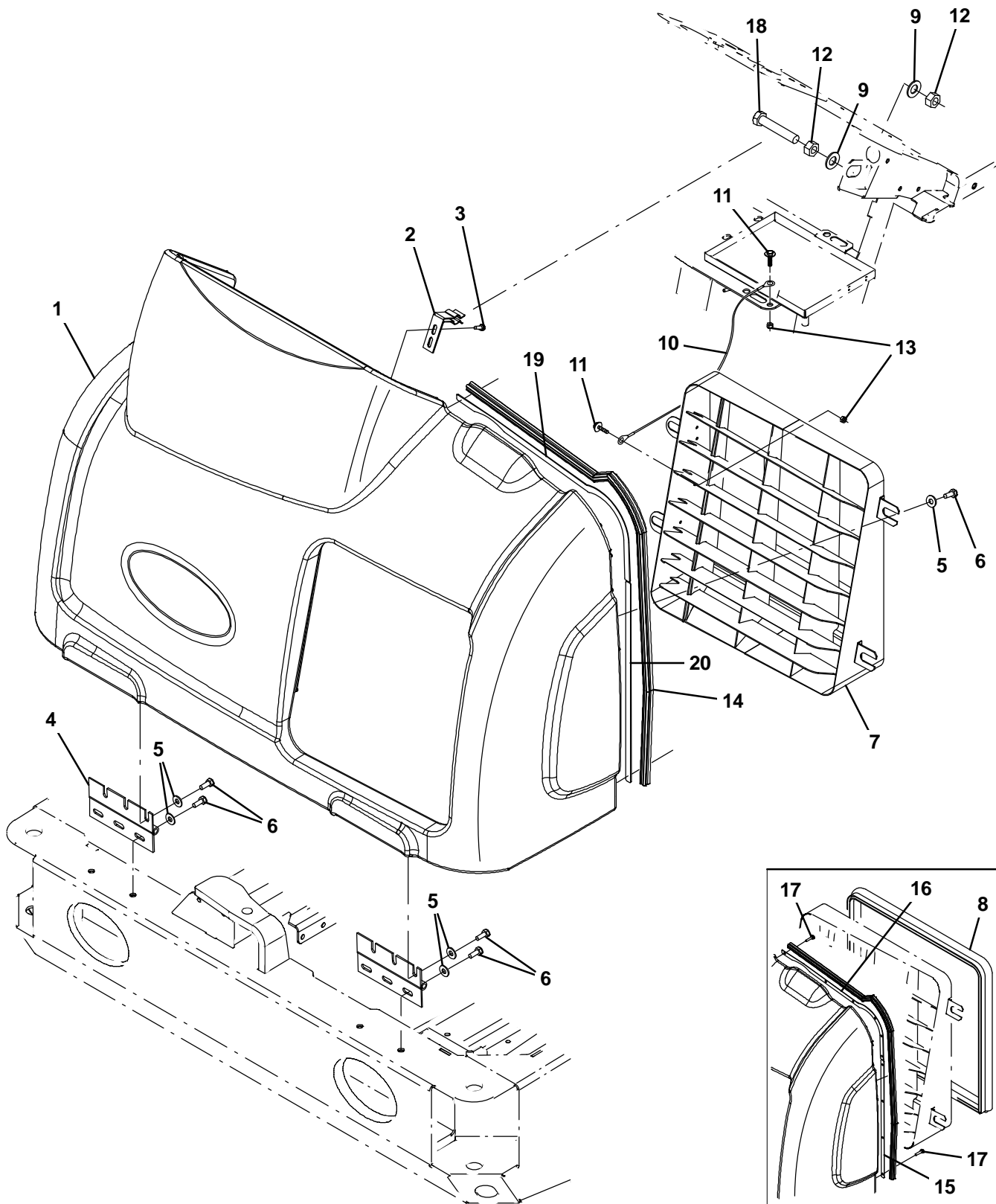


Fig. 9 – Front Cover Group

Ref.	Part No.	Serial Number	Description	Qty.
1	1022069	(000000–	) Shroud, Front, Trimmed	1
2	1008916	(000000–	) Bracket Wldt, Latch	1
3	06942	(000000–	) Screw, Hex, M6 X 1.0 X 16, 8.8	2
4	71941	(000000–	) Hinge, .38pin .11 3.5w 06.0l 6/0.38sl	2
5	32491	(000000–	) Washer, Flat, 0.31, Std	14
6	16931	(000000–	) Screw, Hex, M8 X 1.25 X 20, 8.8	14
7	1035068	(000000–	) Grill Wldt, Front	1
8	1031557	(000000–001277	) Seal, Afmkt, Bulb, Str, 1.0d F/11ga 08ft	1
9	15331	(000000–	) Washer, Flat, 0.62 Sae	2
10	391368	(000000–	) Cable, Glv .09d 016.5l .38eye /.38eye	1
11	1040467	(000000–	) Screw, Hex, M6 X 1.00 X 20, 9.8, Sems	2
12	07782	(000000–	) Nut, Hex, Std, M16 X 2.0	2
13	08708	(000000–	) Nut, Hex, Lock, M6 X 1.0, NI	2
14	1049919	(000000–	) Seal, Sponge, 0.88 1.00W 43.0L	1
15	1029652	(000000–002064	) Plate, Mtg, Seal	1
16	1029545	(000000–002064	) Plate, Mtg, Seal	1
17	20394	(000000–002064	) Screw, Hex, #10–16 X 0.62, Fmg, [Ab]	10
18	06988	(000000–	) Screw, Hex, M16 X 2.0 X 90, 8.8	1
19	1037970	(002065–	) Strip Mtg, Seal	1
20	1037971	(002065–	) Strip Mtg, Seal	1

**Fig. 10 – Engine Cover Group**

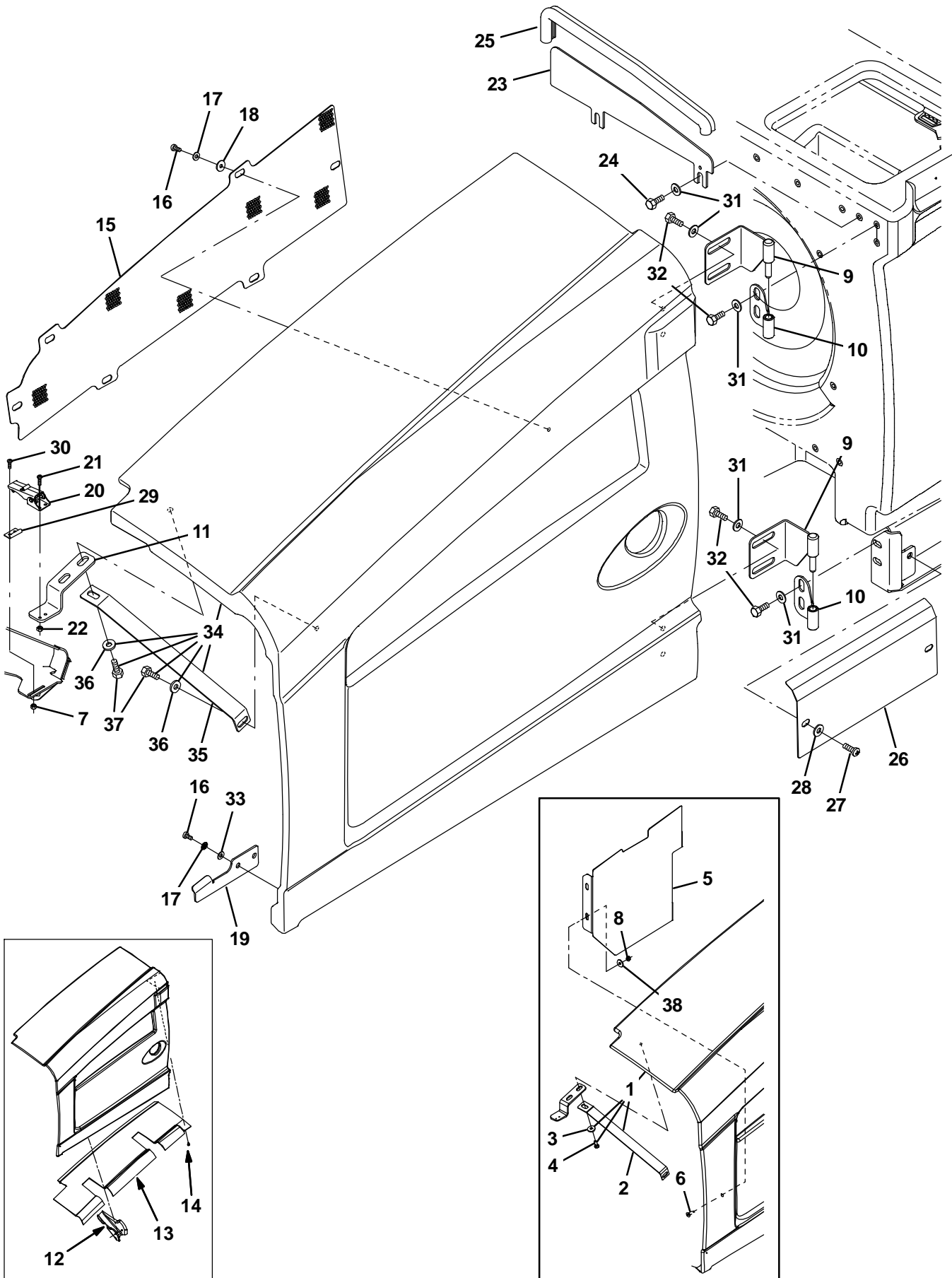


Fig. 10 – Engine Cover Group

Ref.	Part No.	Serial Number	Description	Qty.
▽	1	1033156	(000000–005999 ) Shroud Assy, Eng	1
▲	2	1026628	(000000–005999 ) Angle, Brace, Shrd	1
▲	3	1017218	(000000–005999 ) Washer, Flat, 0.32b 1.00d .12, Ss	2
▲	4	16931	(000000–005999 ) Screw, Hex, M8 X 1.25 X 20, 8.8	2
	5	1022004	(000000–005999 ) Bracket, Shield, Heat	1
	6	74077	(000000–005999 ) Screw, Flt, M8 X 1.25 X 25	4
	7	33932	(000000– ) Nut, Hex, Lock, M4 X 0.7, NI, Ss	2
	8	08709	(000000–005999 ) Nut, Hex, Lock, M8 X 1.25, NI	4
	9	1024500	(000000– ) Hinge Wldt, Shrd, Lh	2
	10	1025196	(000000– ) Hinge Wldt, Shrd, Lh	2
	11	1020186	(000000– ) Bracket, Latch, Cover	1
	12	1028516	(000000–001327 ) Insulation, Shrd, Eng, Gusset	1
	13	1026665	(000000–001327 ) Insulation, Flame–Retardant, 0.5	1
	14	21168	(000000–001327 ) Clip, .250h, Plstc [Pine–Tree]	14
	15	1026726	(000000– ) Grill, Eng	1
	16	09200	(000000– ) Screw, Pan, M5 X 0.8 X 12, Ss	8
	17	19066	(000000– ) Washer, Flat, #10	8
	18	41178	(000000– ) Washer, Flat, 0.25 Fendr	6
	19	1028412	(000000– ) Bracket, Guide, Shrd	1
	20	384418	(000000– ) Latch, Door [Southco 91–562–07]	1
	21	06927	(000000– ) Screw, Pan, M4 X 0.7 X 16, 4.8	2
	22	02850	(000000– ) Nut, Hex, Lock, M4 X 0.7, NI	2
	23	1025806	(000000– ) Plate, Seal, Sound	1
	24	09740	(000000– ) Screw, Hex, M8 X 1.25 X 20, Ss	2
	25	1030588	(000000– ) Seal, Afrmkt, Bulb, 90, 0.75d F/11ga 02ft	2
	26	1022005	(000000– ) Cover, Lower	1
	27	1031665	(000000– ) Screw, Pan, M8 X 1.25 X 25, Blk	2
	28	39349	(000000– ) Washer, Flat, 0.31 Sae	2
	29	384419	(000000– ) Bracket, Latch, Keeper [Southco]	1
	30	24265	(000000– ) Screw, Pan, M4 X 0.7 X 16, Ss	2
	31	1017218	(000000– ) Washer, Flat, 0.32b 1.00d .12, Ss	11
	32	16931	(000000– ) Screw, Hex, M8 X 1.25 X 20, 8.8	7
	33	41139	(000000– ) Washer, Lock, Int–Ext, 10	2
▽	34	1071439	(006000– ) Shroud Assy, Eng	1
▲	35	1026628	(006000– ) Angle, Brace, Shrd	1
▲	36	1017218	(006000– ) Washer, Flat, 0.32b 1.00d .12, Ss	2
▲	37	16931	(006000– ) Screw, Hex, M8 X 1.25 X 20, 8.8	2
	38	1017218	(000000–005999 ) Washer, Flat, 0.32b 1.00d .12, Ss	4

# STANDARD PARTS

Fig. 11 – Engine and Mount Group (00000– 005999)

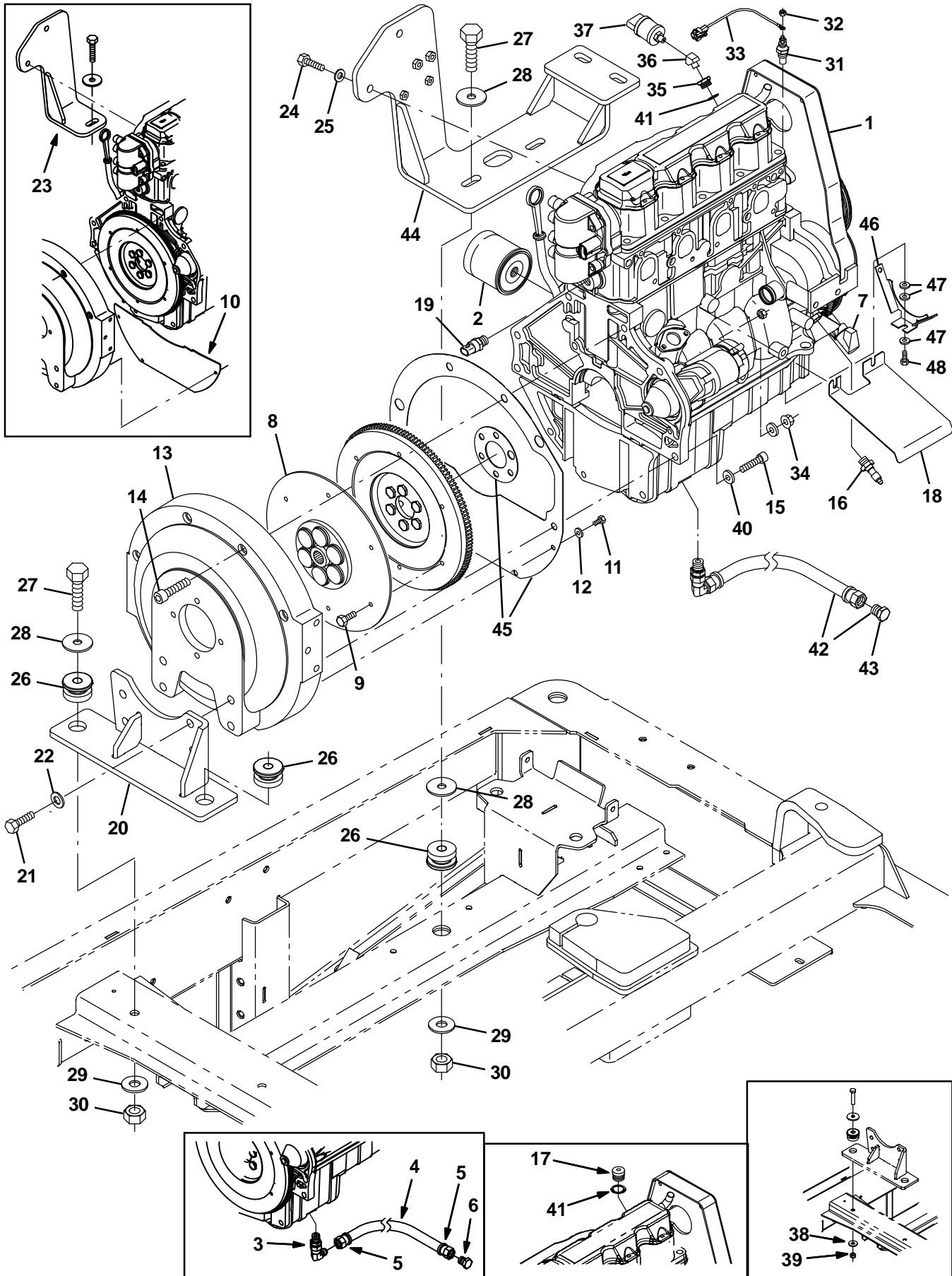


Fig. 11 – Engine and Mount Group (000000–005999)

Ref.	Part No.	Serial Number	Description	Qty.
▽	1	372862	(000000–005999 ) Engine [Long Block Gm 1.6l] (See Engine Breakdown)	1
▲	2	371972	(000000–005999 ) Element, Fltr, Oil, Eng, Spin-On	1
	3	372541	(000000–001999 ) Fitting, E90, M14 X .56	1
	4	371855	(000000–001999 ) Hose, Hyd, 26.0l	1
	5	371876	(000000–001999 ) Fitting, End, Hose	2
	6	371890	(000000–001999 ) Fitting, Pipe, Plug	1
	7	372002	(000000–005999 ) Sensor, Position, Cshft	1
	8	371866	(000000–005999 ) Coupling, Drive, 13t	1
	9	372554	(000000–005999 ) Screw, Hex, M07–1.00 X 23.0, 8.8	6
	10	371868	(000000–003122 ) Cover, Hsng, Flywheel (Replaced By 9006895)	1
	11	19315	(000000–005999 ) Screw, Hex, .25–20 X 0.50, 5	4
	12	32490	(000000–005999 ) Washer, Flat, 0.25 Std	4
	13	371869	(000000–005999 ) Housing, Pump	1
	14	371870	(000000–005999 ) Screw, Soc, M12 X 1.75 X 55, 10.9	4
	15	10832	(000000–005999 ) Screw, Soc, .38–16 X 1.50, Al	2
	16	371996	(000000–003122 ) Switch, Indicator, Oil Press	1
	16	9008197	(003123–005999 ) Switch, Indicator, Oil Press [2010]	1
	17	371860	(000000–001999 ) Fitting, Pipe, Plug, Metric, M18,Soc	1
	18	372556	(000000–005999 ) Shield, Starter [1.6l]	1
	19	372953	(000000–005999 ) Sensor, Temp, Coolant	1
	20	1023288	(000000–005999 ) Bracket Wldt, Mtg, Eng, Back, Gas/Lpg	1
	21	39810	(000000–005999 ) Screw, Hex, .50–13 X 1.25, 5	4
	22	32486	(000000–005999 ) Washer, Flat, 0.50 Sae	4
	23	1011353	(000000–003038 ) Mount Wldt, Eng, Gas/Lpg	1
	24	39283	(000000–005999 ) Screw, Hex, M10 X 1.5 X 25, 8.8	2
	25	32485	(000000–005999 ) Washer, Flat, 0.38 Sae	2
	26	51176	(000000–005999 ) Isolator, Vib, .50d	3
	27	06972	(000000–005999 ) Screw, Hex, M12 X 1.75 X 60, 8.8	3
	28	04414	(000000–005999 ) Washer, Flat, 0.53b 1.88d .12, Stl, Pl	4
	29	32493	(000000–005999 ) Washer, Flat, 0.50 Std	3
	30	08711	(000000–005999 ) Nut, Hex, Lock, M12 X 1.75,NI	3
	31	1042028	(000000–005999 ) Sensor, Temp, Water [Rework For 1.6GM]	1
	32	50335	(000000–005999 ) Nut, Hex, Std, M5 X 0.8, 8	1
	33	1030073	(000000–005999 ) Wire, 16ga 09.6l Brown Mp280/ #10ring	1
	34	41361	(000000–005999 ) Nut, Hex, Std, M8 X 1.25, Brs	1
	35	1031439	(002000–005999 ) Fitting, Pipe, Bshg, M18 X 1.5	1
	36	24976	(002000–005999 ) Fitting, Brs, E45, Pf02/Pm02	1
	37	1055106	(002000–005999 ) Switch, Press, 0006psi Dpdt	1
	38	32493	(000000–001337 ) Washer, Flat, 0.50, Std	2
	39	08711	(000000–001337 ) Nut, Hex, Lock, M12 X 1.75,NI	2
	40	371877	(000000–005999 ) Washer, Flat, 0.38, Hardened	2
	41	385029	(000000–005999 ) Gasket, Plug, Relief Valve,Oil Press	1
▽	42	9006634	(002000–005999 ) Hose, Drain, Eng Oil	1
▲	43	9006635	(002000–005999 ) Fitting, Plug	1
	44	1046022	(003039–005999 ) Bracket Wldt, Mtg, Eng	1
	45	9006895	(003123–005999 ) Plate Kit, Repair	1
	46	1056566	(003086–005999 ) Plate, Guard, Belt [Gm 1.6l]	1
	47	32490	(003086–005999 ) Washer, Flat, 0.25, Std	3
	48	06943	(003086–005999 ) Screw, Hex, M6 X 1.00 X 20, 8.8	1

Fig. 12 – Engine and Mount Group, Gas (006000– )

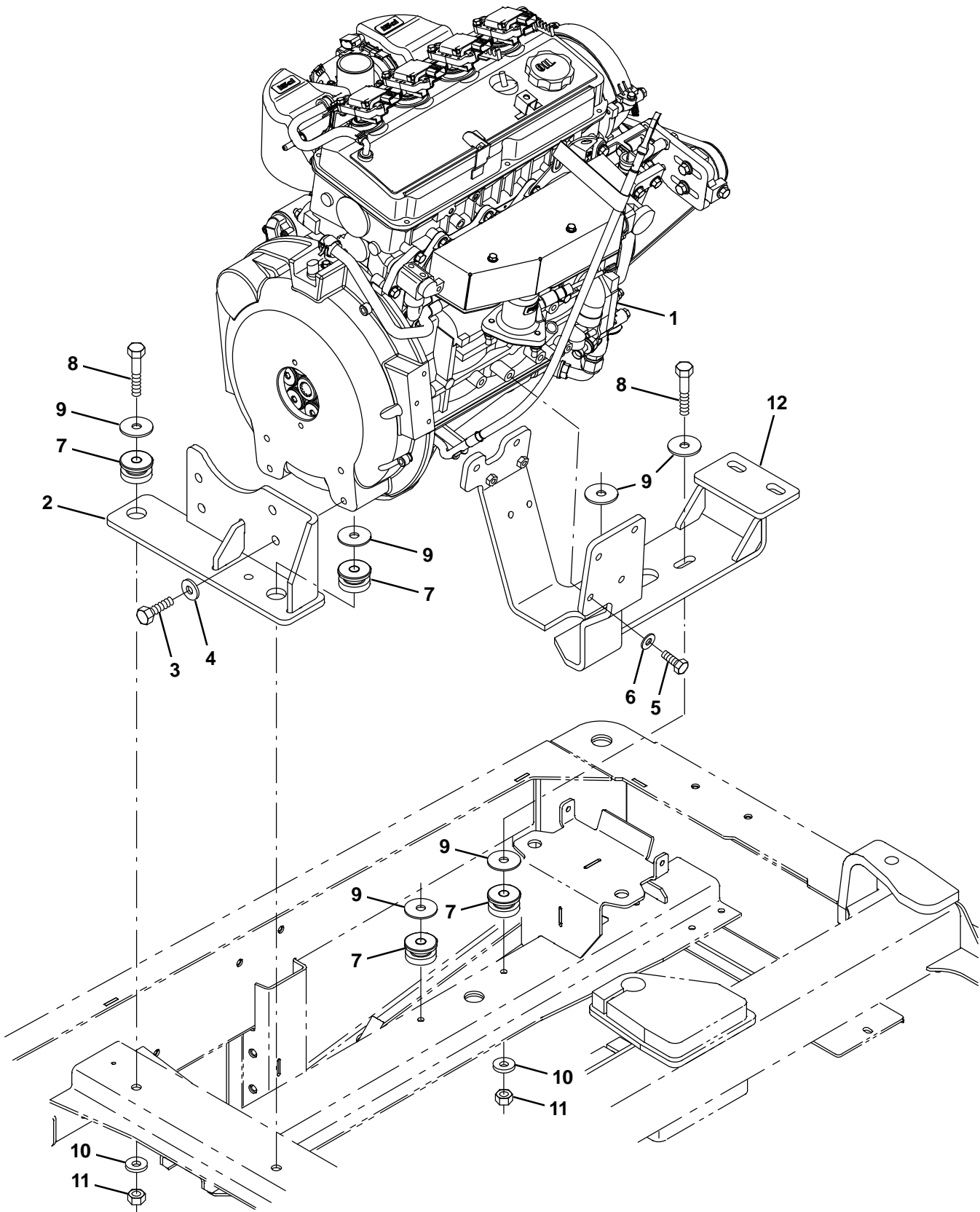


Fig. 12 – Engine and Mount Group, Gas (006000– )

Ref.	Part No.	Serial Number	Description	Qty.
1	1071155	(006000– )	Engine, Gas [Mitsubishi] (See Engine Breakdown)	1
2	1070756	(006000– )	Bracket Wldt, Mtg, Eng, Rear [Mit 2013]	1
3	06968	(006000– )	Screw, Hex, M12 X 1.75 X 35, 8.8	4
4	32486	(006000– )	Washer, Flat, 0.50 Sae	4
5	07299	(006000– )	Screw, Hex, M10 X 1.25 X 25, 8.8	6
6	32485	(006000– )	Washer, Flat, 0.38 Sae	6
7	51176	(006000– )	Isolator, Vib, .50d	4
8	06972	(006000– )	Screw, Hex, M12 X 1.75 X 60, 8.8	4
9	04414	(006000– )	Washer, Flat, 0.53b 1.88d .12, Stl, Pl	4
10	32493	(006000– )	Washer, Flat, 0.50 Std	3
11	08711	(006000– )	Nut, Hex, Lock, M12 X 1.75,NI	3
12	1070751	(006000– )	Bracket Wldt, Mtg, Engine [Mit 2013]	1

Fig. 13 – Engine and Mount Group, LPG (006000– )

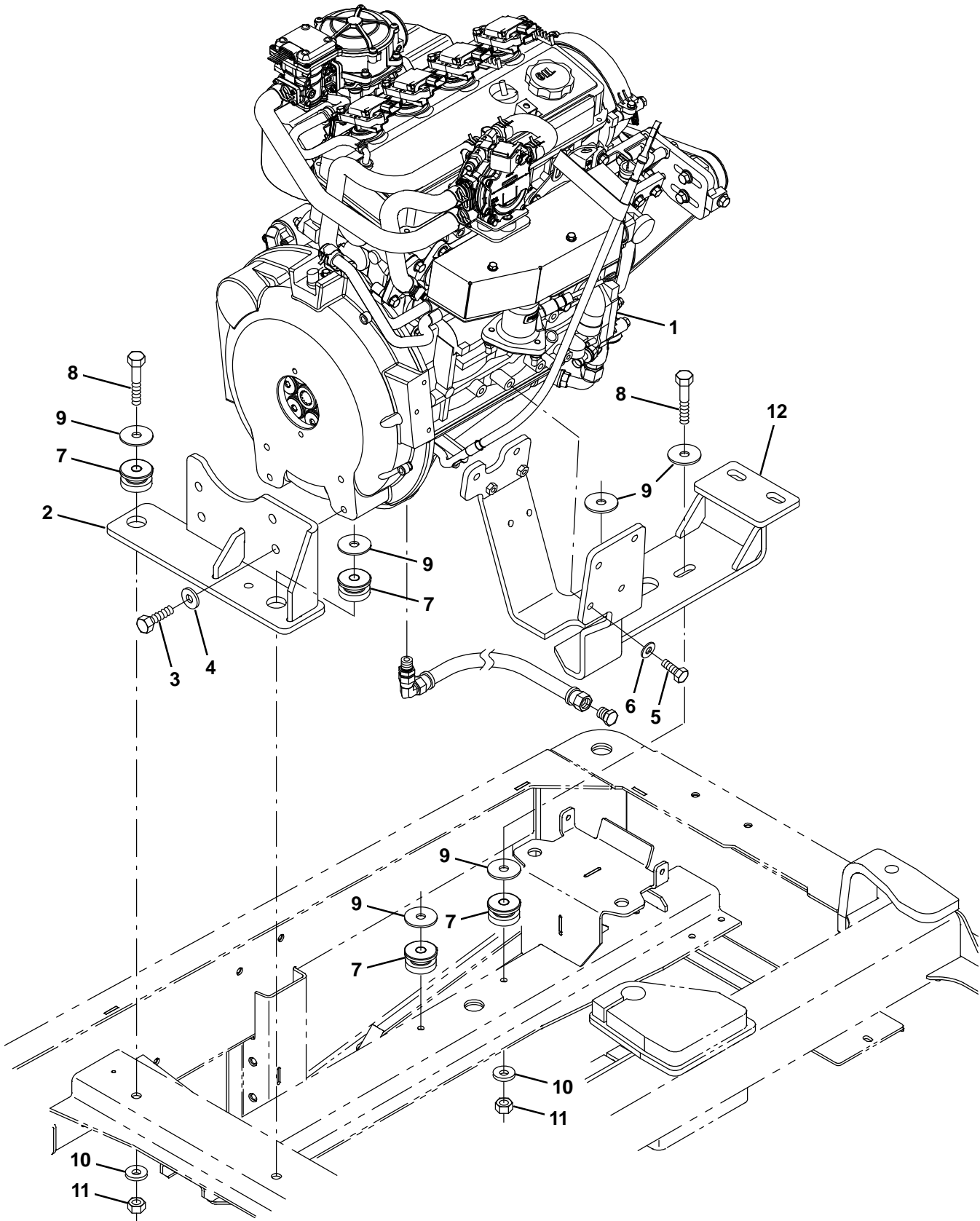


Fig. 13 – Engine and Mount Group, LPG (006000– )

Ref.	Part No.	Serial Number	Description	Qty.
1	1070348	(006000– )	Engine, LPG [Mitsubishi] (See Engine Breakdown)	1
2	1070756	(006000– )	Bracket Wldt, Mtg, Eng, Rear [Mit 2013]	1
3	06968	(006000– )	Screw, Hex, M12 X 1.75 X 35, 8.8	4
4	32486	(006000– )	Washer, Flat, 0.50 Sae	4
5	07299	(006000– )	Screw, Hex, M10 X 1.25 X 25, 8.8	6
6	32485	(006000– )	Washer, Flat, 0.38 Sae	6
7	51176	(006000– )	Isolator, Vib, .50d	4
8	06972	(006000– )	Screw, Hex, M12 X 1.75 X 60, 8.8	4
9	04414	(006000– )	Washer, Flat, 0.53b 1.88d .12, Stl, Pl	4
10	32493	(006000– )	Washer, Flat, 0.50 Std	3
11	08711	(006000– )	Nut, Hex, Lock, M12 X 1.75,NI	3
12	1070751	(006000– )	Bracket Wldt, Mtg, Engine [Mit 2013]	1

**Fig. 14 – Engine EFI Group, Gasoline (000000–001999)**

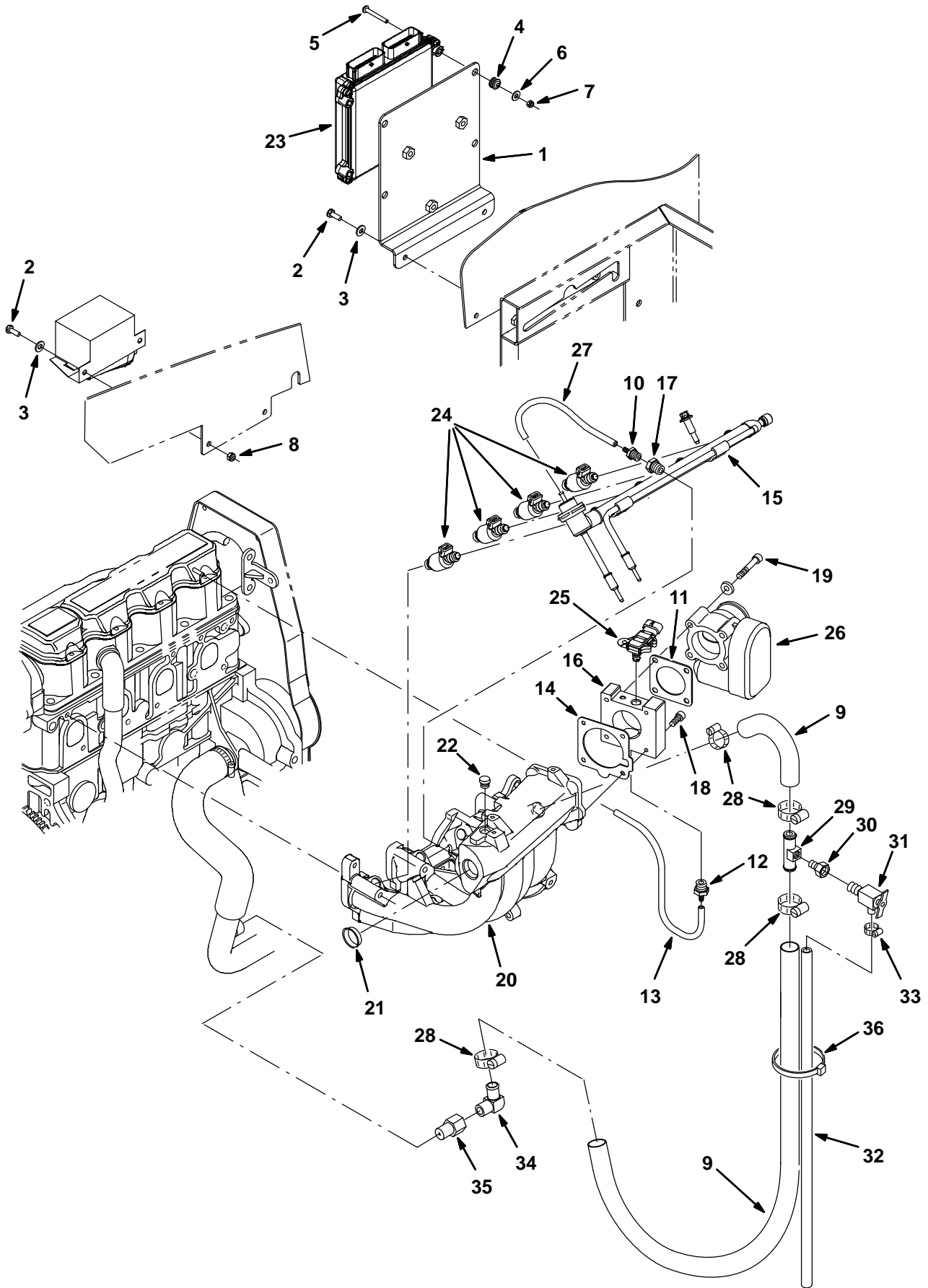


Fig. 14 – Engine EFI Group, Gasoline (000000–001999)

Ref.	Part No.	Serial Number	Description	Qty.
1	1018939	(000000–001999 )	Bracket, Mtg [Ecu]	1
2	06942	(000000–001999 )	Screw, Hex, M6 X 1.0 X 16, 8.8	4
3	32483	(000000–001999 )	Washer, Flat, 0.25 Sae	4
4	46314	(000000–001999 )	Grommet, Rbr, 0.20id, F/0.4h, .12 Matl	4
5	06938	(000000–001999 )	Screw, Pan, M5 X 0.8 X 40, 4.8	4
6	01683	(000000–001999 )	Washer, Flat, #10, Ss	8
7	06549	(000000–001999 )	Nut, Hex, Lock, M5 X 0.8, NI	4
8	08708	(000000–001999 )	Nut, Hex, Lock, M6 X 1.0, NI	2
9	1022364	(000000–001999 )	Hose, Heater	1
10	372542	(000000–001999 )	Fitting, Str, .19brb X .12mpt	1
11	372545	(000000–001999 )	Qd36Gasket, Body, Throttle [1.6l]	1
12	372543	(000000–001999 )	Fitting, Vacuum [M16–15–6h]	1
13	372489	(000000–001999 )	Hose, 9.5mm X 450mm [Pcv]	1
14	372544	(000000–001999 )	Gasket, Manifold, Intake	1
15	372566	(000000–001999 )	Rail, Injector, Gas, W/ Press Reg	1
16	372534	(000000–001999 )	Adapter, Intake, Throttle Body	1
17	372537	(000000–001999 )	Bushing, M06–1.50 X .25–27npt	1
18	06532	(000000–001999 )	Screw, Soc, M6 X 1.0 X 25, 12.9	4
19	07255	(000000–001999 )	Screw, Soc, M6 X 1.0 X 45, 12.9	4
20	372547	(000000–001999 )	Manifold, Intake [1.6l]	1
21	372549	(000000–001999 )	Plug, Manifold, Intake	1
22	372550	(000000–001999 )	Plug, Port, Sensor [Map]	1
23	372858	(000000–001999 )	Module, Ecu, Gas [Gm 1.6l]	1
24	372563	(000000–001999 )	Injector Kit, Fuel, Gas	4
25	372493	(000000–001999 )	Sensor [Tmap]	1
26	384974	(000000–001999 )	Housing, Throttle, 40mm [Bosch]	1
27	372546	(000000–001999 )	Hose, Fuel, .19	1
28	63810	(000000–001999 )	Clamp, Hose, Wormdrive, 0.56–1.06d, .56w	4
29	83578	(000000–001999 )	Tube, Air Bleed, .62d 2.2l .12npt Alm	1
30	1015930	(000000–001999 )	Fitting, Brs, Str, Pf04/Pm02	1
31	51305	(000000–001999 )	Fitting, Draincock, E90, .25npt	1
32	73471	(000000–001999 )	Hose, Pvc, Clr, 0.38id 0.56od 22.00l	1
33	43844	(000000–001999 )	Clamp, Hose, Wormdrive, 0.25–0.62d, .31w	1
34	51839	(000000–001999 )	Fitting, Brs, E90, Em10/Pm06	1
35	1015547	(000000–001999 )	Fitting, Adapter, Orifice, Pf06/Pm06	1
36	49266	(000000–001999 )	Tie, Cable, Nyl, 07.3l .19w 1.8 Max D	1

**Fig. 15 – Engine EFI Group, Gasoline (002000–003122)**

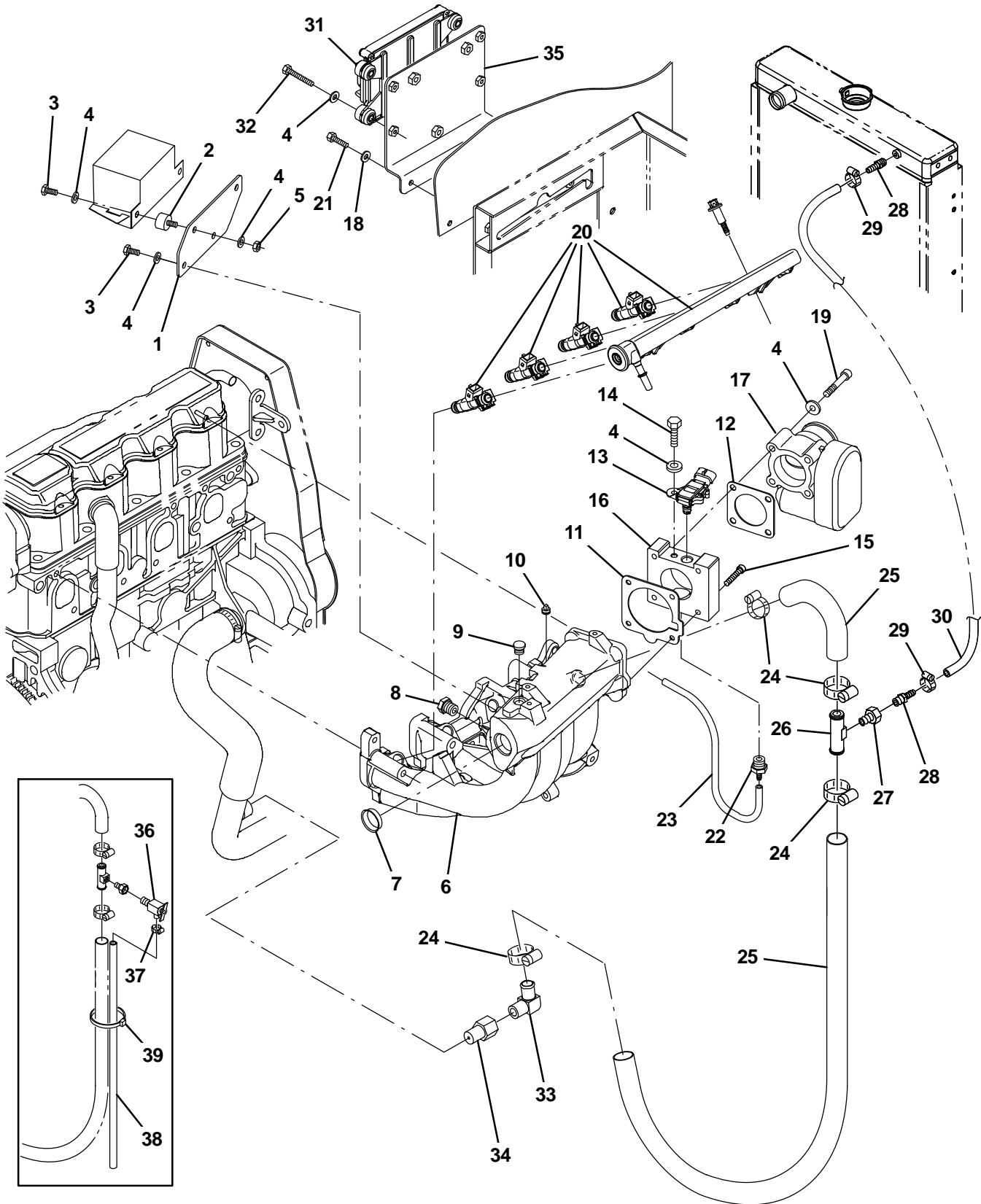


Fig. 15 – Engine EFI Group, Gasoline (002000–003122)

Ref.	Part No.	Serial Number	Description	Qty.	
1	1031312	(002000–003122 )	Plate, Mtg, Relay	1	
2	372470	(002000–003122 )	Isolator, Box, Relay	2	
3	19315	(002000–003122 )	Screw, Hex, .25–20 X 0.50, G5	4	
4	32490	(002000–003122 )	Washer, Flat, 0.25, Std	13	
5	19312	(002000–003122 )	Nut, Hex, Std, .25–20	2	
6	372547	(002000–003122 )	Manifold, Intake [1.6l]	1	
7	372549	(002000–003122 )	Plug, Manifold, Intake	1	
8	384995	(002000–003122 )	Fitting, Plug, M16, Intake Manifold	1	
9	372550	(002000–003122 )	Plug, Port, Sensor [Map]	1	
10	372548	(002000–003122 )	Plug, .12npt, Ss	1	
▽	9003390	(002000–003122 )	Gasket Kit, Repair, Gas [Gm1.6l 2007]	1	
▲	11	372544	(002000–003122 )	Gasket, Manifold, Intake	1
▲	12	372545	(002000–003122 )	Gasket, Body, Throttle [1.6l]	1
13	384985	(002000–003122 )	Sensor [T Map]	1	
14	19317	(002000–003122 )	Screw, Hex, .25–20 X 0.75, G5	1	
15	06532	(002000–003122 )	Screw, Soc, M6 X 1.00 X 25, 12.9	4	
16	372534	(002000–003122 )	Adapter, Intake, Throttle Body	1	
17	384974	(002000–003122 )	Housing, Throttle, 40mm [Bosch]	1	
18	32483	(002000–003122 )	Washer, Flat, 0.25, Sae	2	
19	07255	(002000–003122 )	Screw, Soc, M6 X 1.00 X 45, 12.9	4	
20	384992	(002000–003122 )	Rail, Injector, Fuel, Plstc	1	
21	06942	(002000–003122 )	Screw, Hex, M6 X 1.00 X 16, 8.8	2	
22	372543	(002000–003122 )	Fitting, Vacuum [M16–15–6h]	1	
23	384972	(002000–003122 )	Hose, Vacuum, 0.22id X 15.0l	1	
24	63810	(002000–003122 )	Clamp, Hose, Wormdrive, 0.56–1.06d, .56w	4	
25	1022364	(002000–003122 )	Hose, Heater	1	
26	83578	(002000–003122 )	Tube, Bleed, Air, .62od 2.2l .12npt, Alm	1	
27	1015930	(002000–003122 )	Fitting, Brs, Str, Pf04/Pm02	2	
28	150516	(002493–003122 )	Fitting, Brs, Str, Bm06/Pm05	2	
29	54333	(002493–003122 )	Clamp, Hose, Wormdrive, 0.31–0.88d, .31w	2	
30	1043481	(002493–003122 )	Hose, Heater, 0.38ID	1	
31	1028711	(002000–003122 )	Module, Ecu, Gas [Gm1.6l 2700]	1	
32	06946	(002000–003122 )	Screw, Hex, M6 X 1.00 X 35, 8.8	4	
33	51839	(002000–003122 )	Fitting, Brs, E90, Em10/Pm06	1	
34	1015547	(002000–003122 )	Fitting, Adapter, Orifice, Pf06/Pm06	1	
35	1029082	(002000–003122 )	Bracket, Mtg, Ecu [M20/T20 2007]	1	
36	51305	(002000–002492 )	Fitting, Draincock, E90, .25npt	1	
37	43844	(002000–002492 )	Clamp, Hose, Wormdrive, 0.25–0.62d, .31w	1	
38	73471	(002000–002492 )	Hose, Pvc, Clr, 0.38id 0.56od 022.0l	1	
39	49266	(002000–002492 )	Tie, Cable, Nyl, 07.3l .19w 1.8 Max D	1	

**Fig. 16 – Engine EFI Group, Gasoline (003123–005999)**

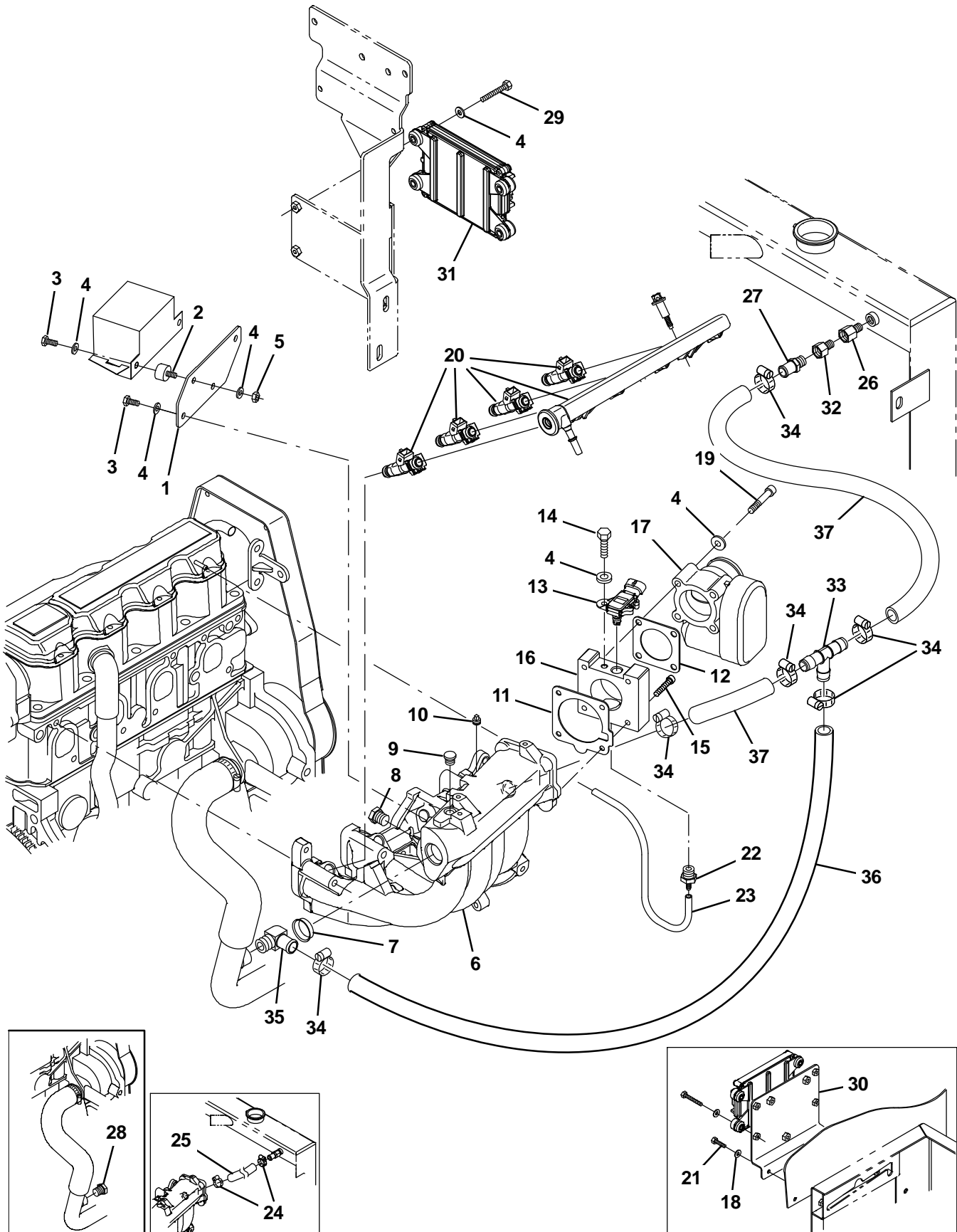


Fig. 16 – Engine EFI Group, Gasoline (003123–005999)

Ref.	Part No.	Serial Number	Description	Qty.	
1	1031312	(003123–005999 )	Plate, Mtg, Relay	1	
2	372470	(003123–005999 )	Isolator, Box, Relay	2	
3	19315	(003123–005999 )	Screw, Hex, .25–20 X 0.50, G5	4	
4	32490	(003123–005999 )	Washer, Flat, 0.25, Std	13	
5	19312	(003123–005999 )	Nut, Hex, Std, .25–20	2	
6	372547	(003123–005999 )	Manifold, Intake [1.6l]	1	
7	372549	(003123–005999 )	Plug, Manifold, Intake	1	
8	384995	(003123–005999 )	Fitting, Plug, M16, Intake Manifold	1	
9	372550	(003123–005999 )	Plug, Port, Sensor [Map]	1	
10	372548	(003123–005999 )	Plug, .12npt, Ss	1	
▽	9003390	(003123–005999 )	Gasket Kit, Repair, Gas [Gm1.6l 2007]	1	
▲	11	372544	(003123–005999 )	Gasket, Manifold, Intake	1
▲	12	372545	(003123–005999 )	Gasket, Body, Throttle [1.6l]	1
13	384985	(003123–005999 )	Sensor [T Map]	1	
14	19317	(003123–005999 )	Screw, Hex, .25–20 X 0.75, G5	1	
15	06532	(003123–005999 )	Screw, Soc, M6 X 1.00 X 25, 12.9	4	
16	9006619	(003123–005999 )	Adapter [E100 Mixer Gm 1.6l 2010]	1	
17	384974	(003123–005999 )	Housing, Throttle, 40mm [Bosch]	1	
18	32483	(003123–003170 )	Washer, Flat, 0.25, Sae	2	
19	07255	(003123–005999 )	Screw, Soc, M6 X 1.00 X 45, 12.9	4	
20	384992	(003123–005999 )	Rail, Injector, Fuel, Plstc	1	
21	06942	(003123–003170 )	Screw, Hex, M6 X 1.00 X 16, 8.8	2	
22	372543	(003123–005999 )	Fitting, Vacuum [M16–15–6h]	1	
23	384972	(003123–005999 )	Hose, Vacuum, 0.22id X 15.0l	1	
24	63810	(003123–003268 )	Clamp, Hose, Wormdrive, 0.56–1.06d, .56w	2	
25	61869	(003123–003268 )	Hose, Heater, 0.62id, 024.0l	1	
26	1042772	(003123–005999 )	Fitting, Brs, Str, Pf06/Pm04	1	
27	27767	(003123–005999 )	Fitting, Brs, Str, Em10/Pm06	1	
28	762282	(003123–003268 )	Fitting, Hyd, Plug, Pm06	1	
29	06946	(003123–005999 )	Screw, Hex, M6 X 1.00 X 35, 8.8	4	
30	1029082	(003123–003170 )	Bracket, Mtg, Ecu [M20/T20 2007]	1	
31	1056232	(003123–005999 )	Module, Ecu, Gas [Gm1.6l 2010]	1	
32	1015547	(003123–005999 )	Fitting, Adapter, Orifice, Pf06/Pm06	1	
33	1062116	(003269–005999 )	Fitting, Plstc, Tee, Bm10/Bm10/Bm10	1	
34	63810	(003269–005999 )	Clamp, Hose, Wormdrive, 0.56–1.06d, .56w	7	
35	51839	(003269–005999 )	Fitting, Brs, E90, Em10/Pm06	1	
36	1016560	(003269–005999 )	Hose, Afmkt, Rbr, Heater, 0.62id, 02ft	1	
37	1015897	(003269–005999 )	Hose, Radiator, Mold, .75ld X .62ld (Cut in two)	1	

Fig. 17 – Engine EFI Group, Gasoline (006000– )

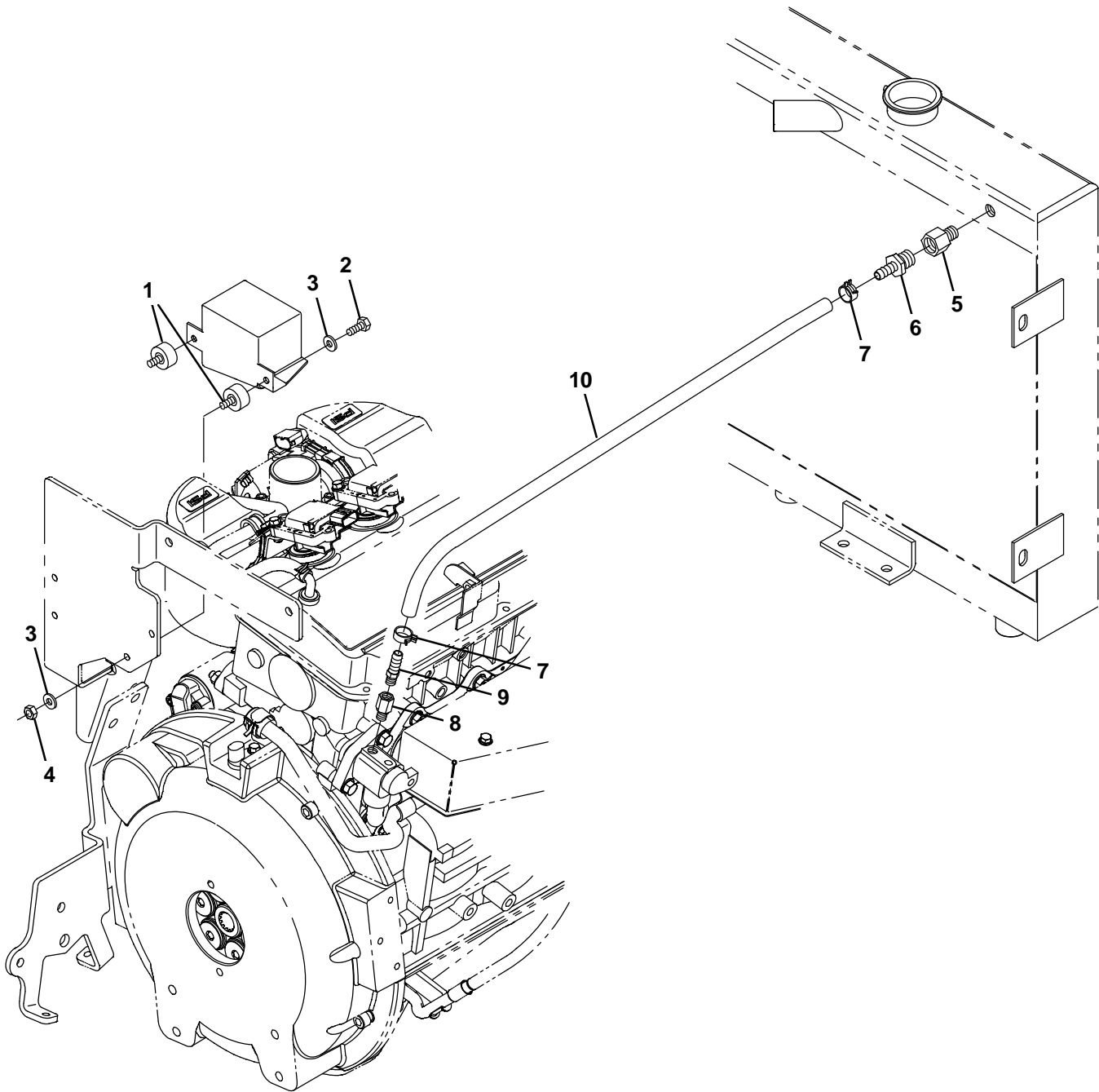


Fig. 17 – Engine EFI Group, Gasoline (006000– )

Ref.	Part No.	Serial Number	Description	Qty.
1	372470	(006000– )	Isolator, Box, Relay	2
2	19315	(006000– )	Screw, Hex, .25–20 X 0.50, G5	2
3	32490	(006000– )	Washer, Flat, 0.25, Std	4
4	19312	(006000– )	Nut, Hex, Std, .25–20	2
5	1071440	(006000– )	Fitting, Brs, Str, Pf06/Pm04	1
6	36159	(006000– )	Fitting, Brs, Str, Bm06/Pm06	1
7	1072559	(006000– )	Clamp, Hose, Spring Stl, 0.58d X 0.31w	2
8	1071502	(006000– )	Fitting, Brs, Str, Pf02/Pm02 [Bspt]	1
9	1055552	(006000– )	Fitting, Brs, Str, Bm06/Pm02	1
10	1072408	(006000– )	Hose, Afmkt, Rbr, Heater, 0.38id, 03ft	1

**Fig. 18 – Engine EFI Group, LPG (000000–001999)**

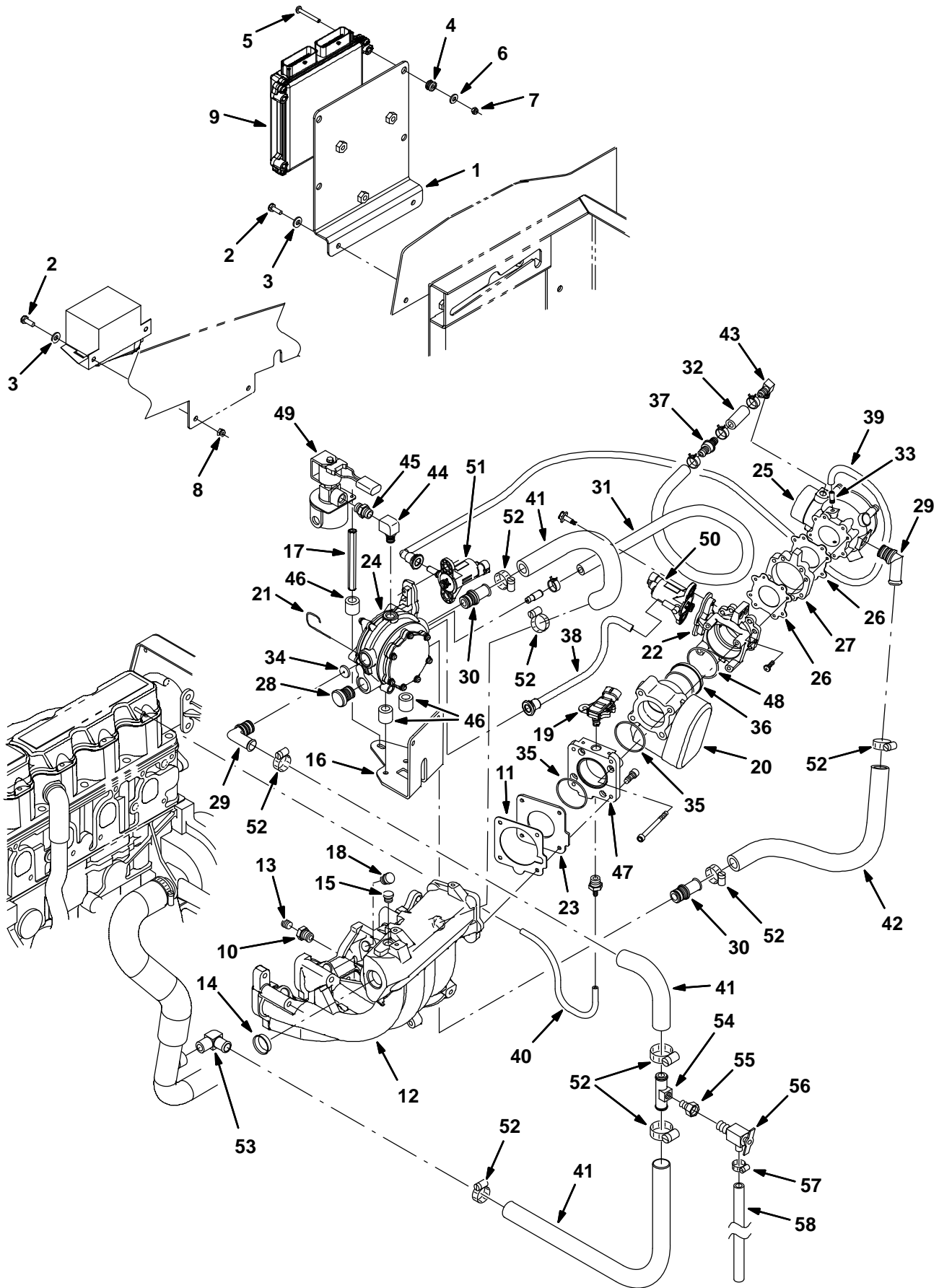


Fig. 18 – Engine EFI Group, LPG (000000–001999)

Ref.	Part No.	Serial Number	Description	Qty.	
1	1018939	(000000–001999 )	Bracket, Mtg [Ecu]	1	
2	06942	(000000–001999 )	Screw, Hex, M6 X 1.0 X 16, 8.8	4	
3	32483	(000000–001999 )	Washer, Flat, 0.25 Sae	4	
4	46314	(000000–001999 )	Grommet, Rbr, 0.20id, F/0.4h, .12 Matl	4	
5	06938	(000000–001999 )	Screw, Pan, M5 X 0.8 X 40, 4.8	4	
6	01683	(000000–001999 )	Washer, Flat, #10, Ss	8	
7	06549	(000000–001999 )	Nut, Hex, Lock, M5 X 0.8, NI	4	
8	08708	(000000–001999 )	Nut, Hex, Lock, M6 X 1.0, NI	2	
9	372857	(000000–001999 )	Module, Ecu, Lpg [Gm 1.6l]	1	
10	372537	(000000–001999 )	Bushing, M06–1.50 X .25–27npt	1	
11	372544	(000000–001999 )	Gasket, Manifold, Intake	1	
12	372547	(000000–001999 )	Manifold, Intake [1.6l]	1	
13	372548	(000000–001999 )	Plug, .12npt, Ss	1	
14	372549	(000000–001999 )	Plug, Manifold, Intake	1	
15	372550	(000000–001999 )	Plug, Port, Sensor [Map]	1	
16	372576	(000000–001999 )	Bracket, Reg [1.6l]	1	
17	372577	(000000–001999 )	Spacer, Sppt, Fltr Lock Off	1	
18	372579	(000000–001999 )	Plug, Hole, Injector	4	
19	372493	(000000–001999 )	Sensor [Tmap]	1	
20	372482	(000000–001999 )	Housing, Throttle, 40mm [Bosch]	1	
21	372523	(000000–001999 )	Pin, Retainer	5	
22	372580	(000000–001999 )	Adapter, Valve, Fuel Trim	1	
23	372582	(000000–001999 )	Adapter, Plate	1	
24	372500	(000000–001999 )	Regulator, Lpg	1	
25	372898	(000000–001999 )	Mixer, Lpg [Gm 1.6l]	1	
26	372608	(000000–001999 )	Gasket	2	
27	372612	(000000–001999 )	Adapter, Throttle Body	1	
28	372515	(000000–001999 )	Fitting, Cap	1	
29	372512	(000000–001999 )	Fitting, E70	2	
30	372514	(000000–001999 )	Fitting, Str	2	
31	372506	(000000–001999 )	Hose, Balancing, Press, 680mm	1	
32	372507	(000000–001999 )	Hose, Balancing, Press, 045mm	1	
33	372511	(000000–001999 )	Fitting, Hose, Vacuum, .25	1	
34	372517	(000000–001999 )	Restrictor, Jet, Coolant	1	
35	372484	(000000–001999 )	Seal, Org	1	
36	372498	(000000–001999 )	Sleeve, Throttle, Plstc [Bosch]	1	
37	372569	(000000–001999 )	Valve, Check	1	
38	372609	(000000–001999 )	Hose, 170mm [Ftv–Ptv]	1	
39	372605	(000000–001999 )	Hose, Valve, Press Trim, 350mm	1	
40	372607	(000000–001999 )	Hose, 9.5mm X 290mm [Pcv]	1	
41	372528	(000000–001999 )	Hose, Mold, .62 To .75	1	
42	372606	(000000–001999 )	Hose, 355mm [FI–Vrp]	1	
43	372510	(000000–001999 )	Fitting, E90	1	
44	372611	(000000–001999 )	Fitting, Str, E90, .25npt	1	
45	372610	(000000–001999 )	Fitting, Nipple, .25npt, Brs	1	
46	372518	(000000–001999 )	Isolator, Mtg, Vaporizer, Rbr	3	
47	372558	(000000–001999 )	Adapter [1.6]	1	
48	372613	(000000–001999 )	Seal, Org, Throttle Body	1	
▽	49	372503	(000000–001999 )	Valve, Fuelock, Lpg, Wire Connector	1
▲		372615	(000000–001999 )	Filter Kit, Fuelock, Lpg	1

## STANDARD PARTS

Fig. 18 – Engine EFI Group, LPG (000000–001999)

Ref.	Part No.	Serial Number	Description	Qty.
50	372501	(000000–001999 )	Valve, Trim, Fuel, Normal Flow	1
51	372497	(000000–001999 )	Valve, Body, Throttle, Lpg	1
52	63810	(000000–001999 )	Clamp, Hose, Wormdrive, 0.56–1.06d, .56w	9
53	51839	(000000–001999 )	Fitting, Brs, E90, Em10/Pm06	1
54	83578	(000000–001999 )	Tube, Air Bleed, .62d 2.2l .12npt Alm	1
55	1015930	(000000–001999 )	Fitting, Brs, Str, Pf04/Pm02	1
56	51305	(000000–001999 )	Fitting, Draincock, E90, .25npt	1
57	43844	(000000–001999 )	Clamp, Hose, Wormdrive, 0.25–0.62d, .31w	1
58	73471	(000000–001999 )	Hose, Pvc, Clr, 0.38id 0.56od 22.00l	1



**Fig. 19 – Engine EFI Group, LPG (002000–005999)**

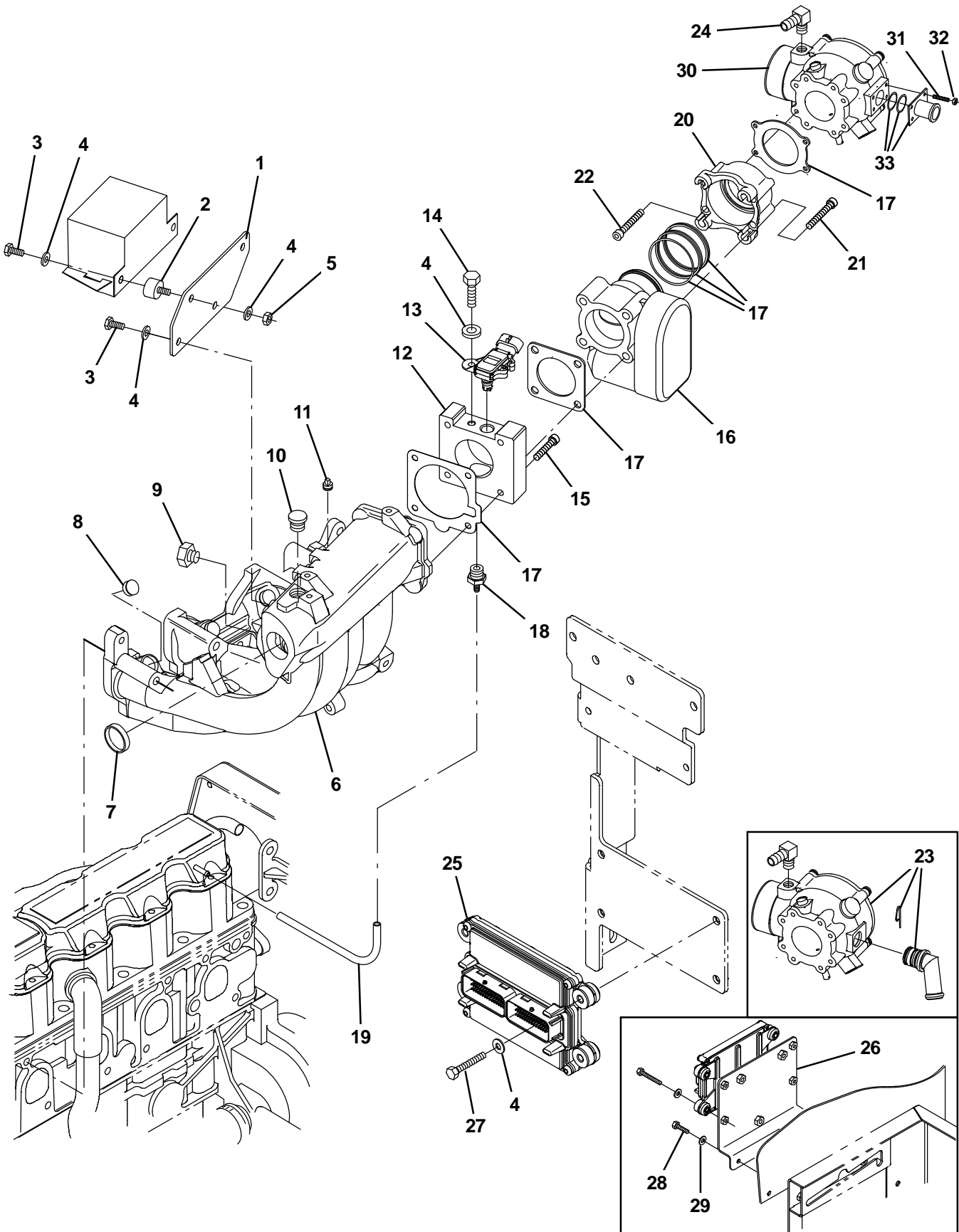


Fig. 19 – Engine EFI Group, LPG (002000–005999)

Ref.	Part No.	Serial Number	Description	Qty.
1	1031312	(002000–005999 )	Plate, Mtg, Relay	1
2	372470	(002000–005999 )	Isolator, Box, Relay	2
3	19315	(002000–005999 )	Screw, Hex, .25–20 X 0.50, G5	4
4	32490	(002000–005999 )	Washer, Flat, 0.25, Std	9
5	19312	(002000–005999 )	Nut, Hex, Std, .25–20	2
6	372547	(002000–005999 )	Manifold, Intake [1.6l]	1
7	372549	(002000–005999 )	Plug, Manifold, Intake	1
8	372579	(002000–005999 )	Plug, Hole, Injector	4
9	384995	(002000–005999 )	Fitting, Plug, M16, Intake Manifold	1
10	372550	(002000–005999 )	Plug, Port, Sensor [Map]	1
11	372548	(002000–005999 )	Plug, .12npt, Ss	1
12	372534	(002000–003122 )	Adapter, Intake, Throttle Body	1
12	9006619	(003123–005999 )	Adapter [E100 Mixer Gm 1.6l 2010]	1
13	384985	(002000–005999 )	Sensor [T Map]	1
14	19317	(002000–005999 )	Screw, Hex, .25–20 X 0.75, G5	1
15	06532	(002000–005999 )	Screw, Soc, M6 X 1.00 X 25, 12.9	4
16	384974	(002000–005999 )	Housing, Throttle, 40mm [Bosch]	1
17	9003391	(002000–005999 )	Gasket Kit, Repair, Lpg [Gm1.6l 2007]	1
18	372543	(002000–005999 )	Fitting, Vacuum [M16–15–6h]	1
19	384972	(002000–005999 )	Hose, Vacuum, 0.22id X 15.0l	1
20	384996	(002000–005999 )	Adapter, Valve, 400mm [Bosch]	1
21	09037	(002000–005999 )	Screw, Soc, M8 X 1.25 X 70, 12.9	4
22	384991	(002000–005999 )	Bolt, Soc Head, M5 X 80 X 35	4
23	384980	(002000–003122 )	Mixer, W/70deg Ftg	1
24	384976	(002000–005999 )	Fitting, E90	1
25	1028722	(002000–003122 )	Module, Ecu, Lpg [Gm1.6l 2700]	1
25	1056233	(003123–005999 )	Module, Ecu, Lpg [Gm1.6l 2010]	1
26	1029082	(002000–003170 )	Bracket, Mtg, Ecu	1
27	06946	(002000–005999 )	Screw, Hex, M6 X 1.00 X 35, 8.8	4
28	06942	(002000–003170 )	Screw, Hex, M6 X 1.00 X 16, 8.8	2
29	32483	(002000–003170 )	Washer, Flat, 0.25, Sae	2
30	9006618	(003123–005999 )	Mixer [E100lp Gm1.6l 2010]	1
31	9007424	(003123–005999 )	Stud, M05–0.8 [Gm1.6L Lp 2010]	4
32	9007423	(003123–005999 )	Nut, Flng, M05–0.8 [Gm1.6L Lp 2010]	4
33	1055170	(003123–005999 )	Fitting, Fuel [Mixer E100Lp 2010]	1

**Fig. 20 – Engine EFI Group, LPG (006000– )**

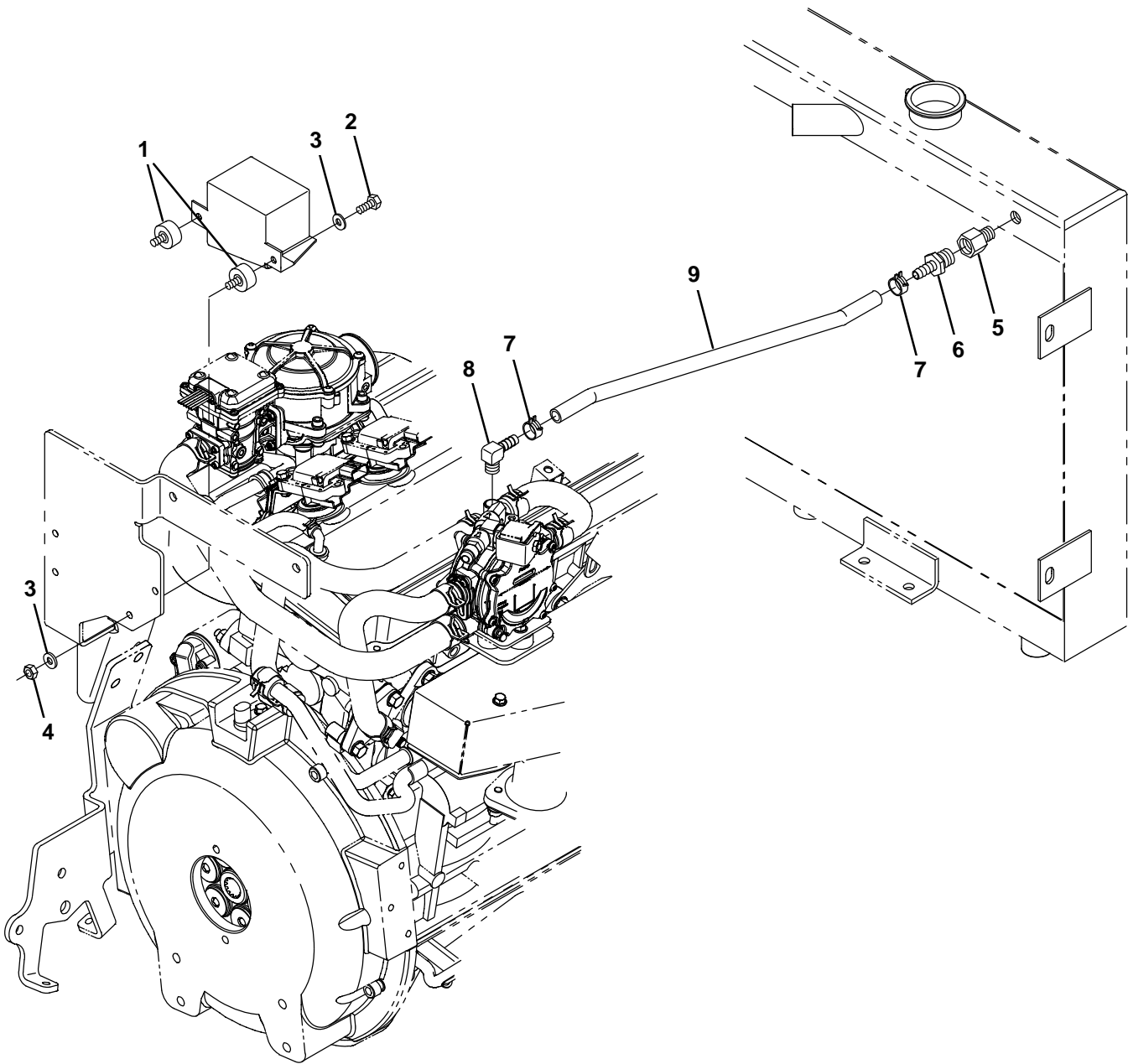


Fig. 20 – Engine EFI Group, LPG (006000– )

Ref.	Part No.	Serial Number	Description	Qty.
1	372470	(006000– )	Isolator, Box, Relay	2
2	19315	(006000– )	Screw, Hex, .25–20 X 0.50, G5	2
3	32490	(006000– )	Washer, Flat, 0.25, Std	4
4	19312	(006000– )	Nut, Hex, Std, .25–20	2
5	1071440	(006000– )	Fitting, Brs, Str, Pf06/Pm04	1
6	36159	(006000– )	Fitting, Brs, Str, Bm06/Pm06	1
7	1072559	(006000– )	Clamp, Hose, Spring Stl, 0.58d X 0.31w	2
8	1015815	(006000– )	Fitting, Brs, E90, Bm06/Pm04	1
9	1072408	(006000– )	Hose, Afmkt, Rbr, Heater, 0.38id, 03ft	1

**Fig. 21 – Engine Vaporizer Group, LPG (002000–003122)**

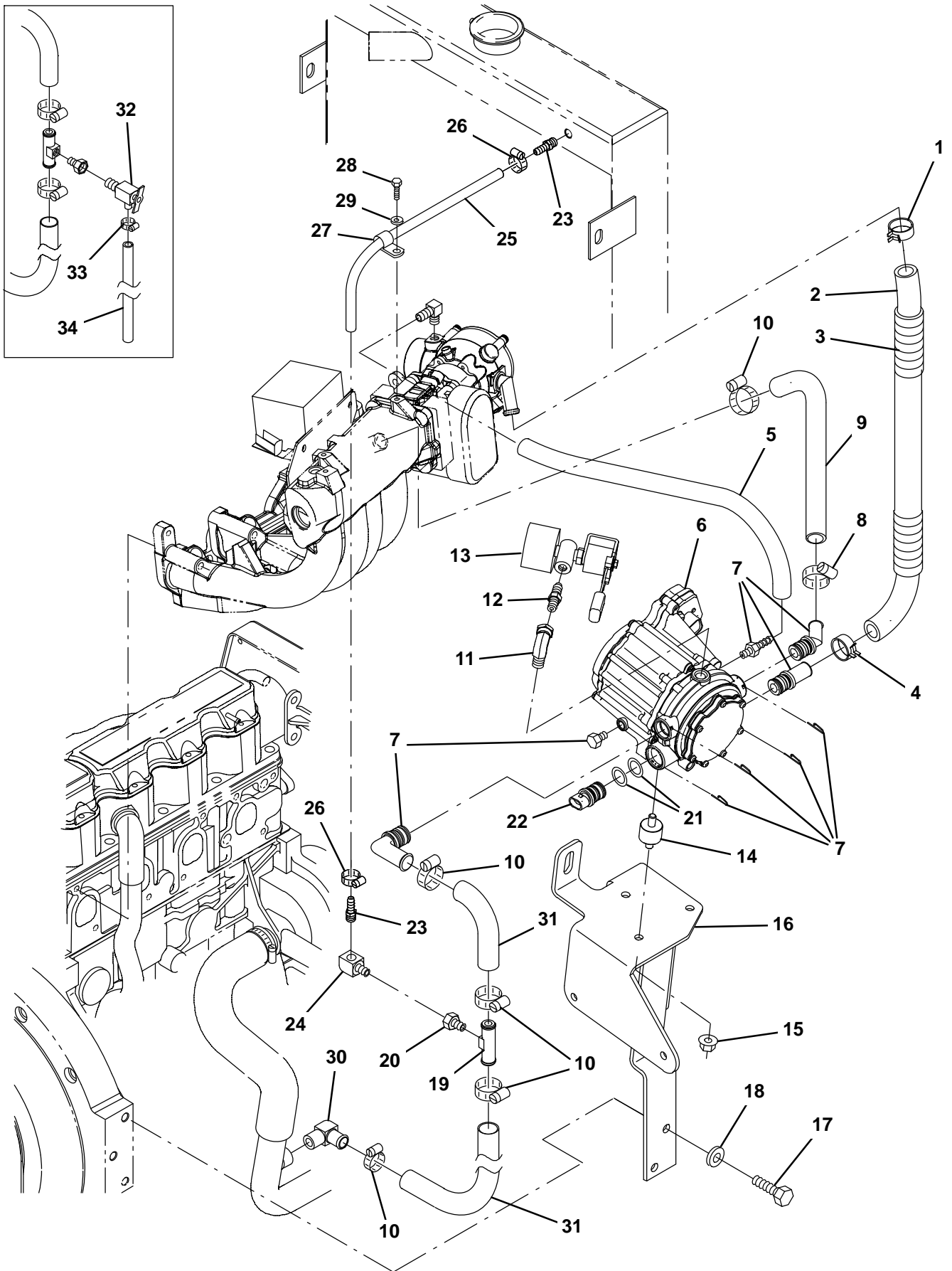


Fig. 21 – Engine Vaporizer Group, LPG (002000–003122)

Ref.	Part No.	Serial Number	Description	Qty.	
1	384970	(002000–003122 )	Clamp, Hose, Spring, 0.75d	1	
2	384983	(002000–003122 )	Hose [Mixer To Epr]	1	
3	384971	(002000–003122 )	Cover, Hose	1	
4	384979	(002000–003122 )	Clamp, Hose, Spring, 0.62d	1	
5	384973	(002000–003122 )	Hose, Supply, Gas, .25id	1	
6	384977	(002000–003122 )	Regulator [Ep]	1	
7	384978	(002000–003122 )	Fitting Kit [Epr]	1	
8	372539	(002000–003122 )	Clamp, Hose, 1.0	1	
9	384984	(002000–003122 )	Hose [Epr To Manifold]	1	
10	63810	(002000–003122 )	Clamp, Hose, Wormdrive, 0.56–1.06d, .56w	5	
11	11442–1	(002000–003122 )	Fitting, Hyd, E90, Spcl	1	
12	372529	(002000–003122 )	Fitting, Nipple, .25mal	1	
▽	13	384975	(002000–003122 )	Valve, Lock Off	1
▲		372615	(002000–003122 )	Filter Kit, Fuelock, Lpg	1
14	384986	(002000–003122 )	Isolator [Epr]	3	
15	07791	(002000–003122 )	Nut, Hex, Flng, M8 X 1.25	3	
16	1028343	(002000–003122 )	Bracket Wldt, Mtg, Regulator, Lpg	1	
17	371770	(002000–003122 )	Screw	2	
18	371877	(002000–003122 )	Washer, Flat, 0.38, Hardened	2	
19	83578	(002000–003122 )	Tube, Bleed, Air, .62od 2.2l .12npt, Alm	1	
20	1015930	(002000–003122 )	Fitting, Brs, Str, Pf04/Pm02	1	
21	1041151	(002000–003122 )	Seal, Org, Sensor, Temp [Epr]	2	
22	1041152	(002000–003122 )	Sensor, Temp [Epr]	1	
23	150516	(002493–003122 )	Fitting, Brs, Str, Bm06/Pm05	2	
24	27048	(002493–003122 )	Fitting, Brs, E90, Pf04/Pm04	1	
25	1043481	(002493–003122 )	Hose, Heater, 0.38id	1	
26	54333	(002493–003122 )	Clamp, Hose, Wormdrive, 0.31–0.88d, .31w	2	
27	67767	(002493–003122 )	Clamp, Cable, Stl, 0.69d X 0.62w, 1hole	1	
28	06942	(002493–003122 )	Screw, Hex, M6 X 1.00 X 16, 8.8	1	
29	32490	(002493–003122 )	Washer, Flat, 0.25, Std	1	
30	51839	(002000–003122 )	Fitting, Brs, E90, Em10/Pm06	1	
31	372528	(002000–003122 )	Hose, Mold, .62 To .75 (Cut in 2)	1	
32	51305	(002000–002492 )	Fitting, Draincock, E90, .25npt	1	
33	43844	(002000–002492 )	Clamp, Hose, Wormdrive, 0.25–0.62d, .31w	1	
34	73471	(002000–002492 )	Hose, Pvc, Clr, 0.38id 0.56od 022.0l	1	

# STANDARD PARTS

Fig. 22 – Engine Vaporizer Group, LPG (003123–005999)

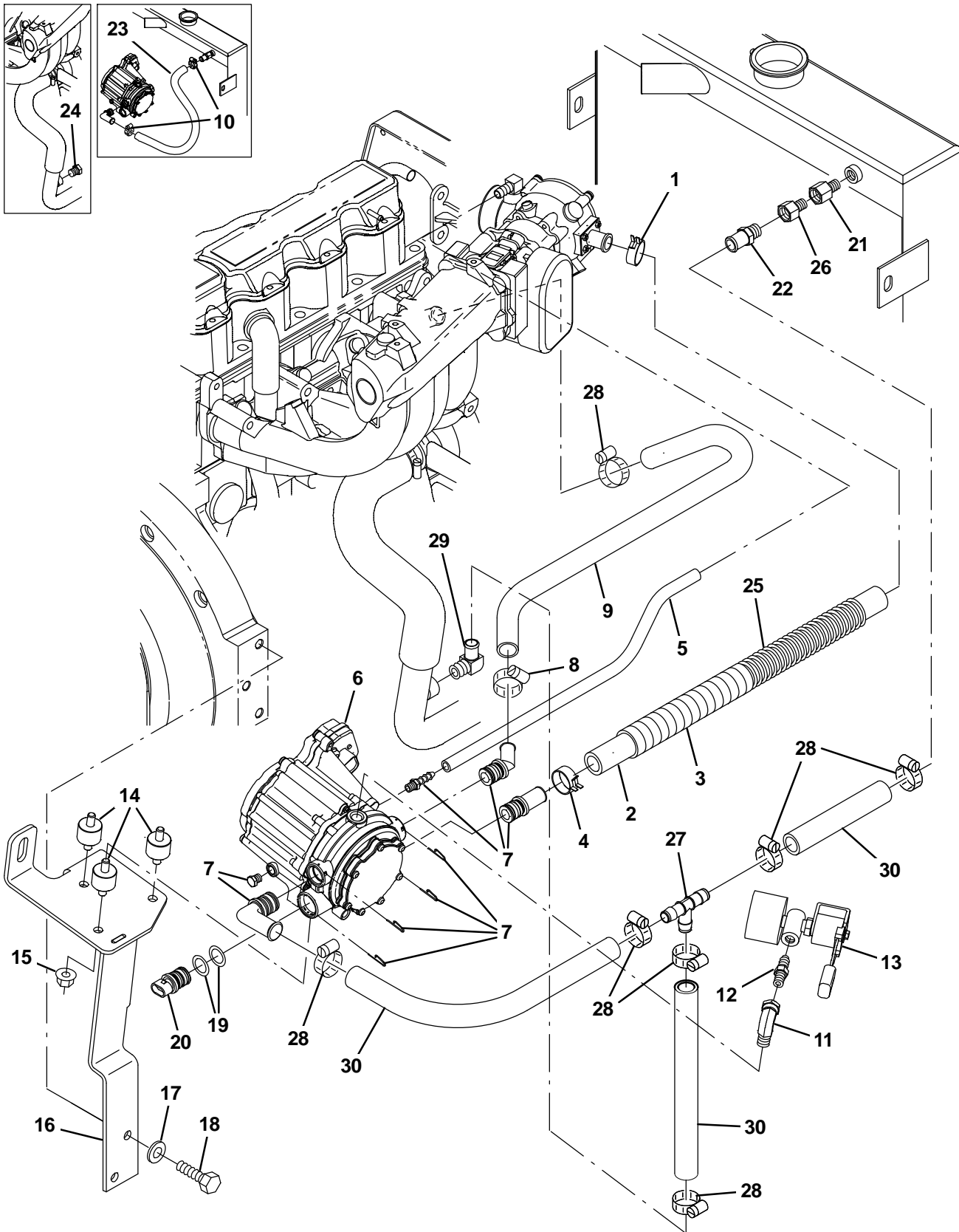


Fig. 22 – Engine Vaporizer Group, LPG (003123–005999)

Ref.	Part No.	Serial Number	Description	Qty.	
1	384970	(003123–005999 )	Clamp, Hose, Spring, 0.75d	1	
2	9007552	(003123–005999 )	Hose, Fuel [Mixer To Epr, 22.5”L]	1	
3	384971	(003123–005999 )	Cover, Hose	1	
4	384979	(003123–005999 )	Clamp, Hose, Spring, 0.62d	1	
5	384973	(003123–005999 )	Hose, Supply, Gas, .25id	1	
6	384977	(003123–005999 )	Regulator [Ep]	1	
7	384978	(003123–005999 )	Fitting Kit [Epr]	1	
8	372539	(003123–005999 )	Clamp, Hose, 1.0	1	
9	384984	(003123–005999 )	Hose [Epr To Manifold]	1	
10	63810	(003123–003268 )	Clamp, Hose, Wormdrive, 0.56–1.06d, .56w	3	
11	11442–1	(003123–005999 )	Fitting, Hyd, E90, Spcl	1	
12	372529	(003123–005999 )	Fitting, Nipple, .25mal	1	
▽	13	9006620	(003123–005999 )	Valve, Lock Off [Gm 1.6L 2010]	1
▲	9007380	(003123–005999 )	Filter, Fuellock, Lpg [Gm1.6L 2010]	1	
14	384986	(003123–005999 )	Isolator [Epr]	3	
15	07791	(003123–005999 )	Nut, Hex, Fing, M8 X 1.25	3	
16	1056300	(003123–005999 )	Bracket Wldt, Mtg, Reg, Lpg[Gm 2010]	1	
17	371770	(003123–005999 )	Screw	2	
18	371877	(003123–005999 )	Washer, Flat, 0.38, Hardened	2	
19	1041151	(003123–005999 )	Seal, Org, Sensor, Temp [Epr]	2	
20	1041152	(003123–005999 )	Sensor, Temp [Epr]	1	
21	1042772	(003123–005999 )	Fitting, Brs, Str, Pf06/Pm04	2	
22	27767	(003123–005999 )	Fitting, Brs, Str, Em10/Pm06	1	
23	13048	(003123–003268 )	Hose, Heater, 0.62id, 038.0l	1	
24	762282	(003123–003268 )	Fitting, Hyd, Plug, Pm06	1	
25	9007553	(003123–005999 )	Spring, 3/4 X 16 [Gm1.6L 2010 Lpg]	1	
26	1015547	(003123–005999 )	Fitting, Adapter, Orifice, Pf06/Pm06	1	
27	1062116	(003269–005999 )	Fitting, Plstc, Tee, Bm10/Bm10/Bm10	1	
28	63810	(003269–005999 )	Clamp, Hose, Wormdrive, 0.56–1.06d, .56w	7	
29	51839	(003269–005999 )	Fitting, Brs, E90, Em10/Pm06	1	
30	1016561	(003269–005999 )	Hose, Afmkt, Rbr, Heater, 0.62id, 08ft	1	

# STANDARD PARTS

Fig. 23 – Engine Fuel Tank Group, Gasoline (00000–001999)

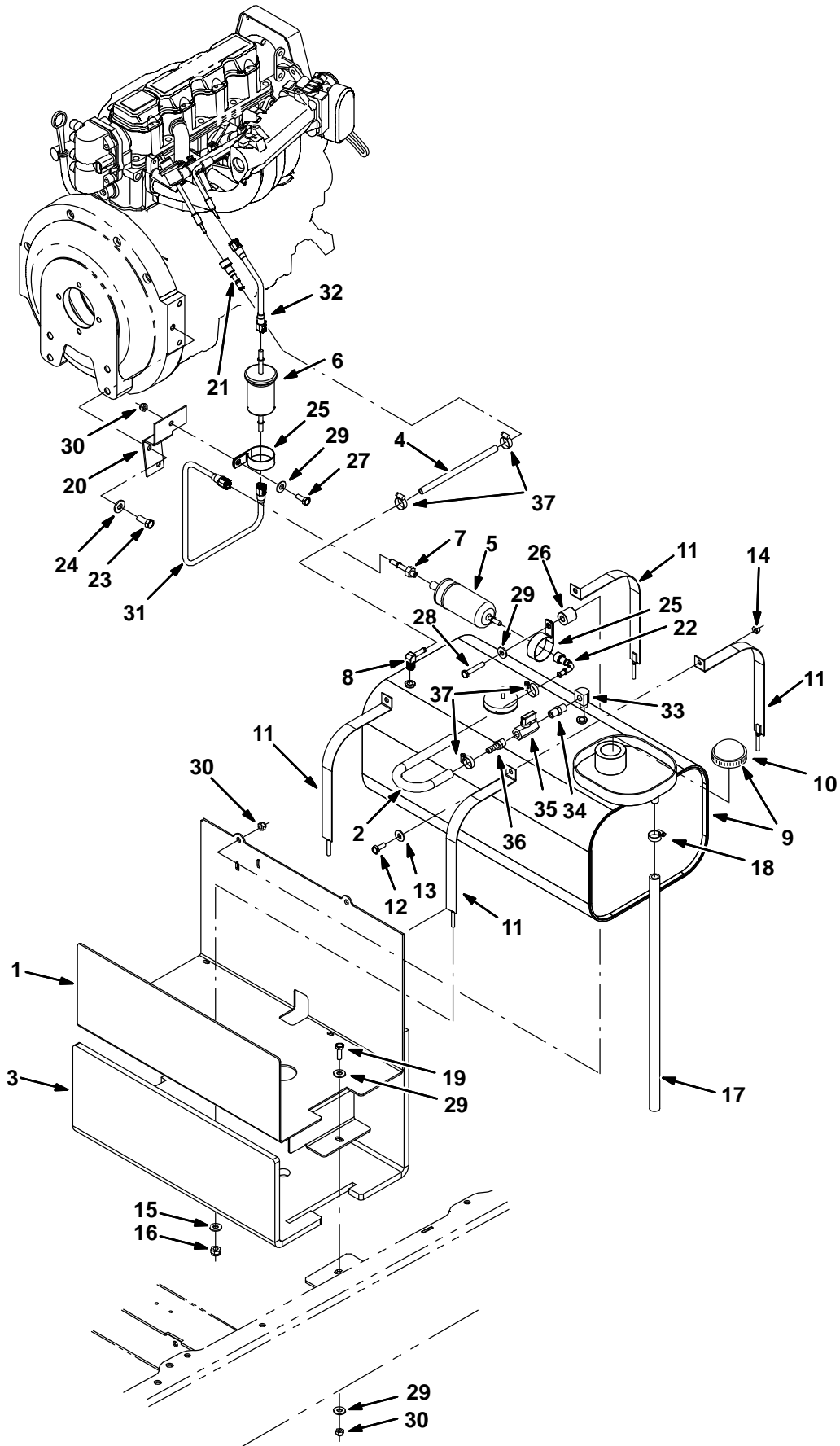


Fig. 23 – Engine Fuel Tank Group, Gasoline (000000–001999)

Ref.	Part No.	Serial Number	Description	Qty.	
1	1026550	(000000–001999 )	Tray Wldt, Fuel	1	
2	87730	(000000–001999 )	Hose, Fuel, 0.31id 12.0l	1	
3	1026759	(000000–001999 )	Insulation, Flame–Retardant, 0.5	1	
4	1012160	(000000–001999 )	Hose, Fuel, 0.31id 24.0l	1	
5	1011107	(000000–001999 )	Pump, Fuel, Hi Press [Gm 1.6l/3.0l]	1	
6	372440	(000000–001999 )	Filter, Fuel [Gm 1.6l/3.0l]	1	
7	1013086	(000000–001999 )	Connector, Fuel, Qf	1	
8	9000355	(000000–001999 )	Fitting, Brs, E90, Em05/Pm04	1	
▽	9	9002395	(000000–001999 )	Tank, Fuel, 11.26Gal, gas, Replmt	1
▲	10	48267	(000000–001999 )	Cap, Tank, Fuel, 2.3neck 2.6d	1
▲		1039521	(000000–001999 )	Send–Unit, Fuel	1
	11	1025229	(000000–001999 )	Strap, Tank, Gas	4
	12	39277	(000000–001999 )	Screw, Hex, M8 X 1.25 X 25, 8.8	2
	13	32491	(000000–001999 )	Washer, Flat, 0.31, Std	2
	14	08709	(000000–001999 )	Nut, Hex, Lock, M8 X 1.25, NI	2
	15	32483	(000000–001999 )	Washer, Flat, 0.25 Sae	4
	16	32981	(000000–001999 )	Nut, Hex, Lock, .25–20, NI	4
	17	1023482	(000000–001999 )	Hose, Fuel, 0.50id 21.0l	1
	18	54333	(000000–001999 )	Clamp, Hose, Wormdrive, 0.31–0.88d, .31w	1
	19	39277	(000000–001999 )	Screw, Hex, M8 X 1.25 X 25, 8.8	2
	20	1019416	(000000–001999 )	Bracket, Mtg, Fuel	1
	21	1013086	(000000–001999 )	Connector, Fuel, Qf	1
	22	1019939	(000000–001999 )	Connector, Fuel, E90, Qf	1
	23	21197	(000000–001999 )	Screw, Hex, .38–16 X 1.00, 5	2
	24	32492	(000000–001999 )	Washer, Flat, 0.38 Std	2
	25	1011895	(000000–001999 )	Clamp, Cable, Stl, 2.00d X 0.75w, 1 Hole	2
	26	383912	(000000–001999 )	Sleeve, P/M, 0.43b 1.00d 1.0l, Stl	1
	27	16931	(000000–001999 )	Screw, Hex, M8 X 1.25 X 20, 8.8	1
	28	06956	(000000–001999 )	Screw, Hex, M8 X 1.25 X 45, 8.8	1
	29	32491	(000000–001999 )	Washer, Flat, 0.31, Std	6
	30	08709	(000000–001999 )	Nut, Hex, Lock, M8 X 1.25, NI	4
	31	1026664	(000000–001999 )	Fuelline, .31d Str/Str, Plstc	1
	32	1019394	(000000–001999 )	Fuelline, .31d Str/Str, Plstc	1
	33	27048	(000000–001999 )	Fitting, Brs, E90, Pf04/Pm04	1
	34	398468	(000000–001999 )	Fitting, Brs, Str, Pm04/Pm04	1
	35	1019940	(000000–001999 )	Valve, Ball, 04pf, Chm W/ Handle	1
	36	392629	(000000–001999 )	Fitting, Brs, Str, Bm05/Pm04	1
	37	54333	(000000–001999 )	Clamp, Hose, Wormdrive, 0.31–0.88d, .31w	4

# STANDARD PARTS

Fig. 24 – Engine Fuel Tank Group, Gasoline (002000– )

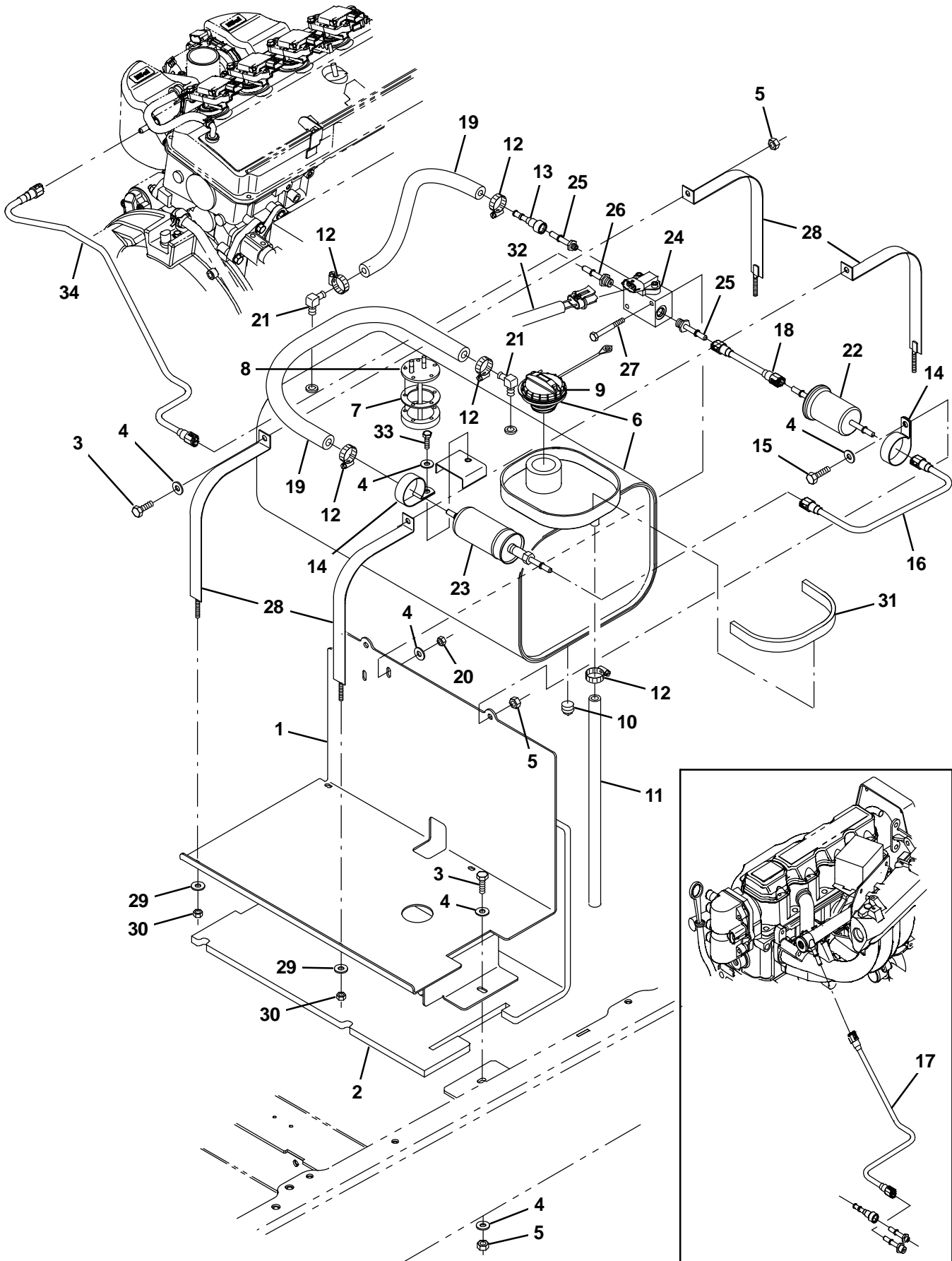


Fig. 24 – Engine Fuel Tank Group, Gasoline (002000– )

Ref.	Part No.	Serial Number	Description	Qty.
1	1026550	(002000– )	Tray Wldt, Fuel	1
2	1026759	(002000– )	Insulation, Flame–Retardant, 0.5	1
3	39277	(002000– )	Screw, Hex, M8 X 1.25 X 25, 8.8	4
4	32491	(002000– )	Washer, Flat, 0.31, Std	8
5	08709	(002000– )	Nut, Hex, Lock, M8 X 1.25, NI	5
▽	6	9003610	(002000– ) Tank, Fuel, 11.2gal, Gas, Replmt [2007]	1
▲	7	1033897	(002000– ) Gasket, Sender, Fuel	1
▲	8	1033901	(002000– ) Send–Unit, Fuel [2007]	1
▲	9	1032812	(002000– ) Cap, Fuel, Tank	1
▲	10	48126	(002000– ) Fitting, Pipe, Plug, Pm02, Sq Head	1
	11	1023482	(002000– ) Hose, Fuel, 0.50id, 21.0l	1
	12	54333	(002000– ) Clamp, Hose, Wormdrive, 0.31–0.88d, .31w	5
	13	1013086	(002000– ) Connector, Fuel, Qf	2
	14	1011895	(002000– ) Clamp, Cable, Stl, 2.00d X 0.75w, 1hole	2
	15	06956	(002000– ) Screw, Hex, M8 X 1.25 X 45, 8.8	2
	16	1034676	(002000– ) Fuelline, .31d Str/Str,Plstc[M20/T20 07]	1
	17	1034655	(002000–005999 ) Fuelline, .31d Str/Str,Plstc[M20/T20 07]	1
	18	1012248	(002000– ) Fuelline, .31d Str/Str, Plstc	1
	19	1033746	(002000– ) Hose, Fuel, 0.31id [Evap Emission 07]	2
	20	08708	(002000– ) Nut, Hex, Lock, M6 X 1.00, NI	2
	21	9000355	(002000– ) Fitting, Brs, E90, Em05/Pm04	2
	22	372440	(002000– ) Filter, Fuel [Gm 1.6l/3.0l]	1
	23	9006592	(002000– ) Pump, Fuel	1
	24	1028924	(002000– ) Manifold, Gas, Relief, Valve	1
	25	1029293	(002000– ) Fitting, Fuel, Str, 0.56–18 [07 Eng]	2
	26	1029295	(002000– ) Fitting, Fuel, Str, 0.38–24 [07 Eng]	1
	27	06949	(002000– ) Screw, Hex, M6 X 1.0 X 50, 8.8	2
	28	1025229	(002000– ) Strap, Tank, Gas	4
	29	32483	(002000– ) Washer, Flat, 0.25, Sae	4
	30	32981	(002000– ) Nut, Hex, Lock, .25–20, NI	4
	31	62595–15	(002000– ) Molding, Trim, Pvc, .08–.11 13.2l	1
	32	385009	(002000– ) Harness, Manifold, Gas	1
	33	16931	(002000– ) Screw, Hex, M8 X 1.25 X 20, 8.8	1
	34	1071388	(006000– ) Fuelline, .31d Str/Str, Plstc [Mit 2013]	1

**Fig. 25 – Engine Fuel Tank Group, LPG**

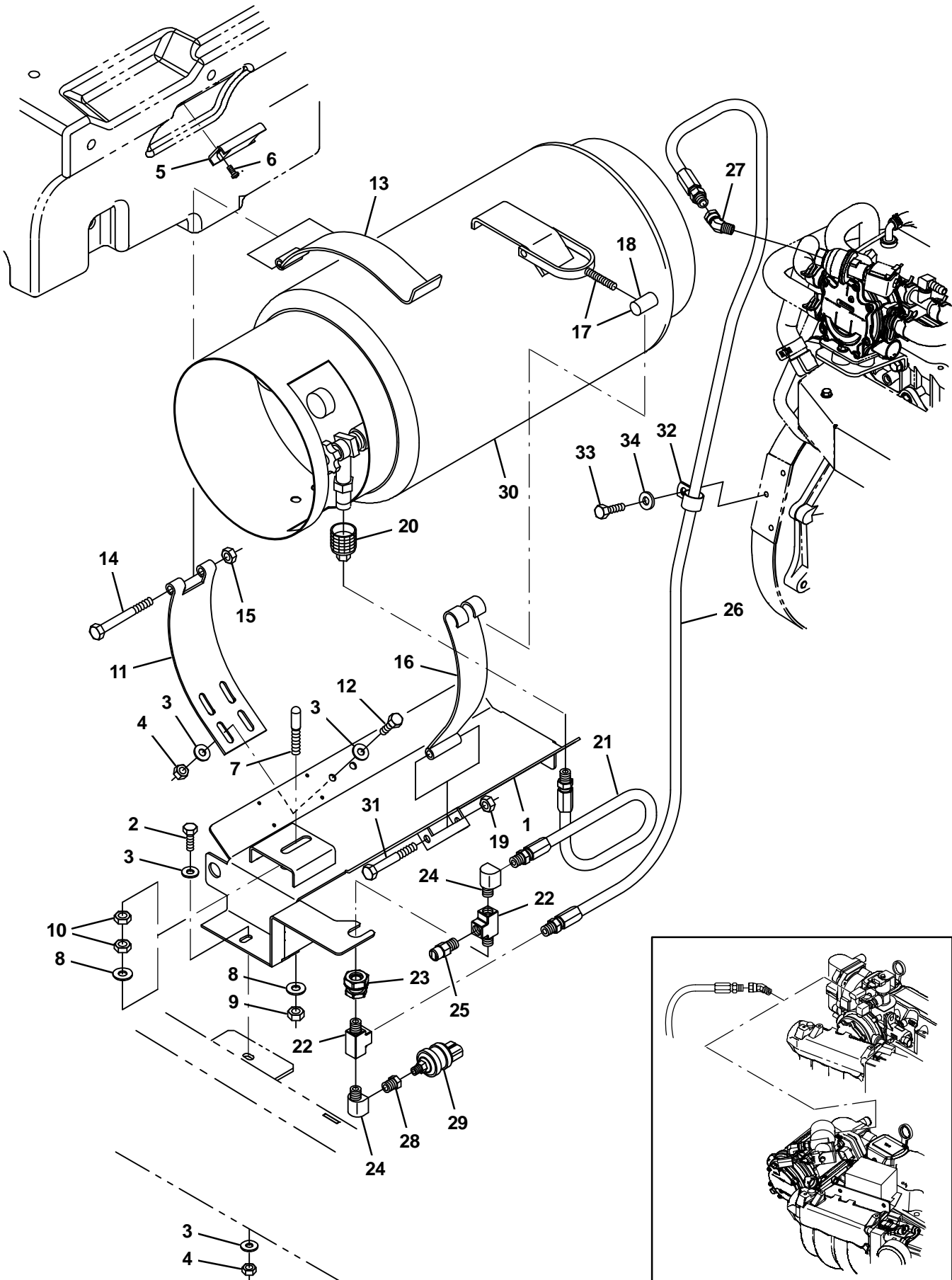


Fig. 25 – Engine Fuel Tank Group, LPG

Ref.	Part No.	Serial Number	Description	Qty.
1	1017947	(000000–	) Tray Wldt, Lpg	1
2	39277	(000000–	) Screw, Hex, M8 X 1.25 X 25, 8.8	2
3	32491	(000000–	) Washer, Flat, 0.31, Std	8
4	08709	(000000–	) Nut, Hex, Lock, M8 X 1.25, NI	4
5	63378	(000000–	) Magnet, Drive Brush	1
6	09200	(000000–	) Screw, Pan, M5 X 0.8 X 12, Ss	2
7	1024934	(000000–	) Pin, Locating, Lpg	1
8	32492	(000000–	) Washer, Flat, 0.38 Std	2
9	41430	(000000–	) Nut, Hex, Lock, M10 X 1.5, NI	1
10	32716	(000000–	) Nut, Hex, Jam, M10 X 1.5, Ss	2
11	58589	(000000–	) Strap, Mtg, Tank, Lpg	1
12	16931	(000000–	) Screw, Hex, M8 X 1.25 X 20, 8.8	2
13	57297	(000000–	) Strap, Mtg, Tank, Lpg, Hinge	1
14	35710	(000000–	) Screw, Hex, .38–16 X 3.75, 5	1
15	59156	(000000–	) Nut, Hex, Lock, .38–16, NI, Ss	1
16	58590	(000000–	) Strap, Mtg, Tank, Lpg	1
▽	17	53400–1	(000000–) Latch Assy, Mtg, Tank, Lpg, W/Nut	1
▲	18	53400–4	(000000–) Nut, Adj, Mtg, Tank, Lpg	1
19	36643	(000000–	) Nut, Hex, Lock, .38–16, NI, Thin	1
20	26496	(000000–	) Fitting, Brs, Qdc, Pf04, Lpg Fem	1
21	22308–6	(000000–	) Hose, Lpg, Med05, Pm04str/Sm04str, 14.0l	1
22	150709	(000000–	) Fitting, Brs, Tee, Pf04/Pf04/Pm04, Run	2
23	78122	(000000–	) Fitting, Brs, Str, Pf04/Pf04, Bh	1
24	27048	(000000–	) Fitting, Brs, E90, Pf04/Pm04	2
25	24047	(000000–	) Valve, Lpg, Press Relief [Rego]	1
26	19760	(000000–	) Hose, Lpg, Med05, Pm04str/Sm04str, 55.0l	1
27	392645	(000000–	) Fitting, Pipe, E45, Spcl	1
28	17414	(000000–	) Fitting, Hyd, Str, Pf02/Pm04	1
29	23156	(000000–	) Switch, Press, 12vdc 08a Spst Nc 0070psi	1
30	24928–1	(000000–	) Tank, Lpg, 33lb, W/ Gauge [Empty, Liq]	1
31	35707	(000000–	) Screw, Hex, .38–16 X 3.00, 5	1
32	69234	(006000–	) Clamp, Cable, Stl, 1.00d X 0.75w, 1hole	1
33	09740	(006000–	) Screw, Hex, M8 X 1.25 X 20, Ss	1
34	32491	(006000–	) Washer, Flat, 0.31, Std	1

Fig. 26 – Engine Air Cleaner Group, Gasoline (000000–001999)

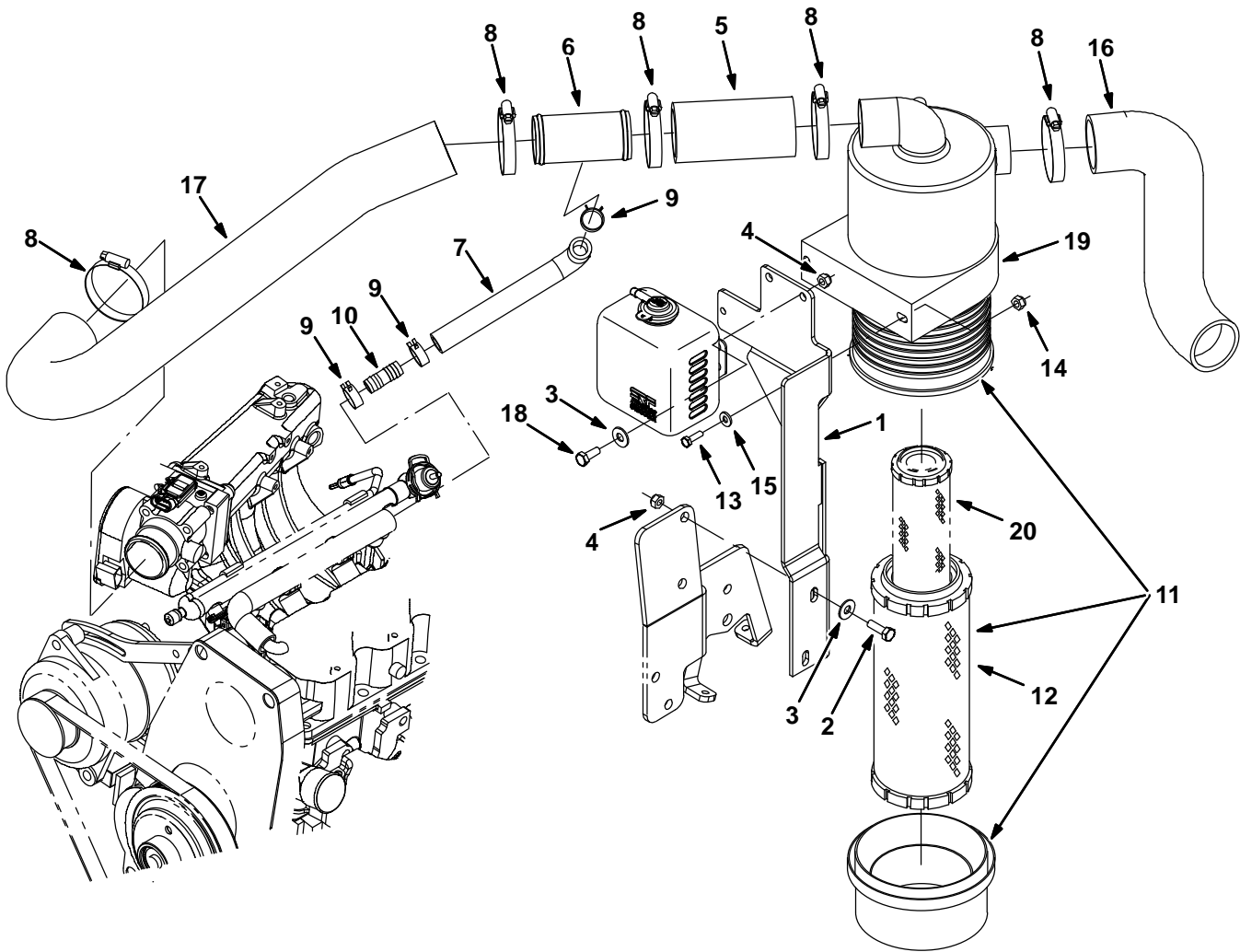


Fig. 26 – Engine Air Cleaner Group, Gasoline (000000–001999)

Ref.	Part No.	Serial Number	Description	Qty.	
1	1027856	(000000–001999 )	Bracket, Mtg, Fltr, Air	1	
2	39277	(000000–001999 )	Screw, Hex, M8 X 1.25 X 25, 8.8	2	
3	32491	(000000–001999 )	Washer, Flat, 0.31, Std	4	
4	08709	(000000–001999 )	Nut, Hex, Lock, M8 X 1.25, NI	4	
5	15543-2	(000000–001999 )	Hose, Rbr, 2.00id 2.50od 05.0l	1	
6	1011780	(000000–001999 )	Tube Wldt, Tee	1	
7	1021514	(000000–001999 )	Hose, Heater, E90, 0.62id 07.0 2.0	1	
8	14432	(000000–001999 )	Clamp, Hose, Wormdrive, 1.81–2.75d, .50w	5	
9	1011899	(000000–001999 )	Clamp, Hose, Spring Stl, 0.86d X 0.38w	3	
10	365164	(000000–001999 )	Fitting, Plstc, Str, Bm10/Bm10	1	
▽	11	369745	(000000–001999 )	Filter Assy, Air	1
▲	12	369746	(000000–001999 )	Element, Fltr, Air [Dn]	1
	13	06943	(000000–001999 )	Screw, Hex, M6 X 1.0 X 20, 8.8	2
	14	08708	(000000–001999 )	Nut, Hex, Lock, M6 X 1.0, NI	2
	15	32483	(000000–001999 )	Washer, Flat, 0.25 Sae	2
	16	1020949	(000000–001999 )	Hose, Intake, Mold, 2.00id [Epdm]	1
	17	1017978	(000000–001999 )	Hose, Intake, Mold, 2.00id, Gas [Epdm]	1
	18	16931	(000000–001999 )	Screw, Hex, M8 X 1.25 X 20, 8.8	2
	19	369747	(000000–001999 )	Clamp, Mtg, Fltr, Air	1
	20	398279	(000000–001999 )	Element, Fltr, Air, Safety (OPTION)	1

**Fig. 27 – Engine Air Cleaner Group, Gasoline (002000–005999)**

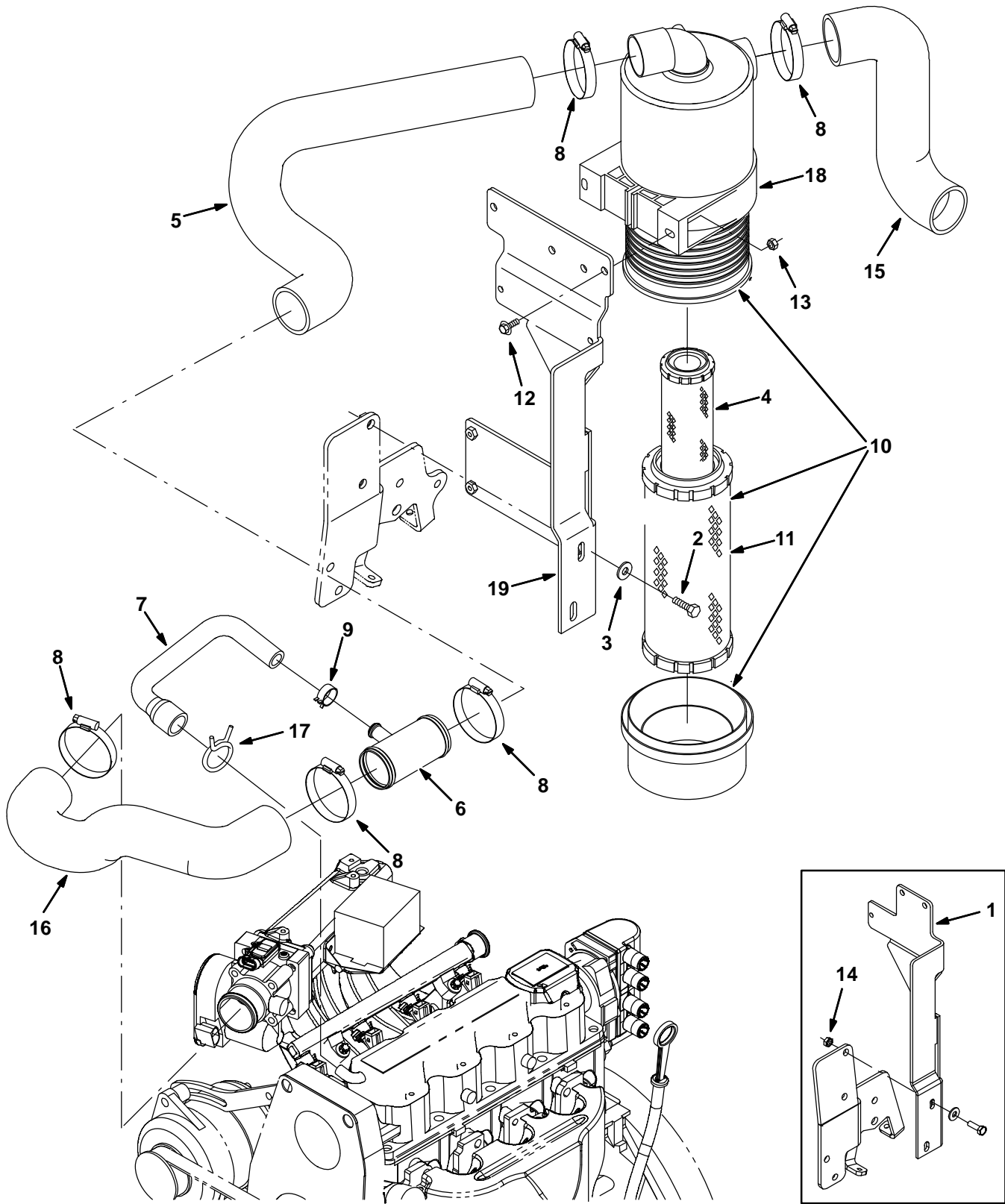


Fig. 27 – Engine Air Cleaner Group, Gasoline (002000– 005999)

Ref.	Part No.	Serial Number	Description	Qty.	
1	1027856	(002000–003122 )	Bracket, Mtg, Fltr, Air	1	
2	39277	(002000–005999 )	Screw, Hex, M8 X 1.25 X 25, 8.8	2	
3	32491	(002000–005999 )	Washer, Flat, 0.31, Std	2	
4	398279	(002000–005999 )	Element, Fltr, Air, Safety (OPTION)	1	
5	1031614	(002000–005999 )	Hose, Intake, Mold, 2.0id [Epdm M20/T20]	1	
6	1011780	(002000–005999 )	Tube Wldt, Tee	1	
7	1032323	(002000–005999 )	Hose, Vent, E90, 0.62id[Gm1.6l 2007]	1	
8	14432	(002000–005999 )	Clamp, Hose, Wormdrive, 1.81–2.75d, .50w	5	
9	1011899	(002000–005999 )	Clamp, Hose, Spring Stl, 0.86d X 0.38w	1	
▽	10	369745	(002000–005999 )	Filter Assy, Air	1
▲	11	369746	(002000–005999 )	Element, Fltr, Air [Dn]	1
	12	1036892	(002000–005999 )	Screw, Hex, M6 X 1.00 X 25, 9.8 Sems	2
	13	08708	(002000–005999 )	Nut, Hex, Lock, M6 X 1.00, NI	2
	14	08709	(002000–xxxxxx )	Nut, Hex, Lock, M8 X 1.25, NI	2
	15	1020949	(002000–005999 )	Hose, Intake, Mold, 2.00id [Epdm]	1
	16	1031609	(002000–005999 )	Hose, Intake, Mold, 2.0id, Gas	1
	17	371854	(002000–005999 )	Clamp, Spring, 1.50	1
	18	369747	(002000–005999 )	Clamp, Mtg, Fltr, Air	1
	19	1056355	(003123–005999 )	Bracket, Mtg, Fltr, Air	1

Fig. 28 – Engine Air Cleaner Group, Gasoline (006000- )

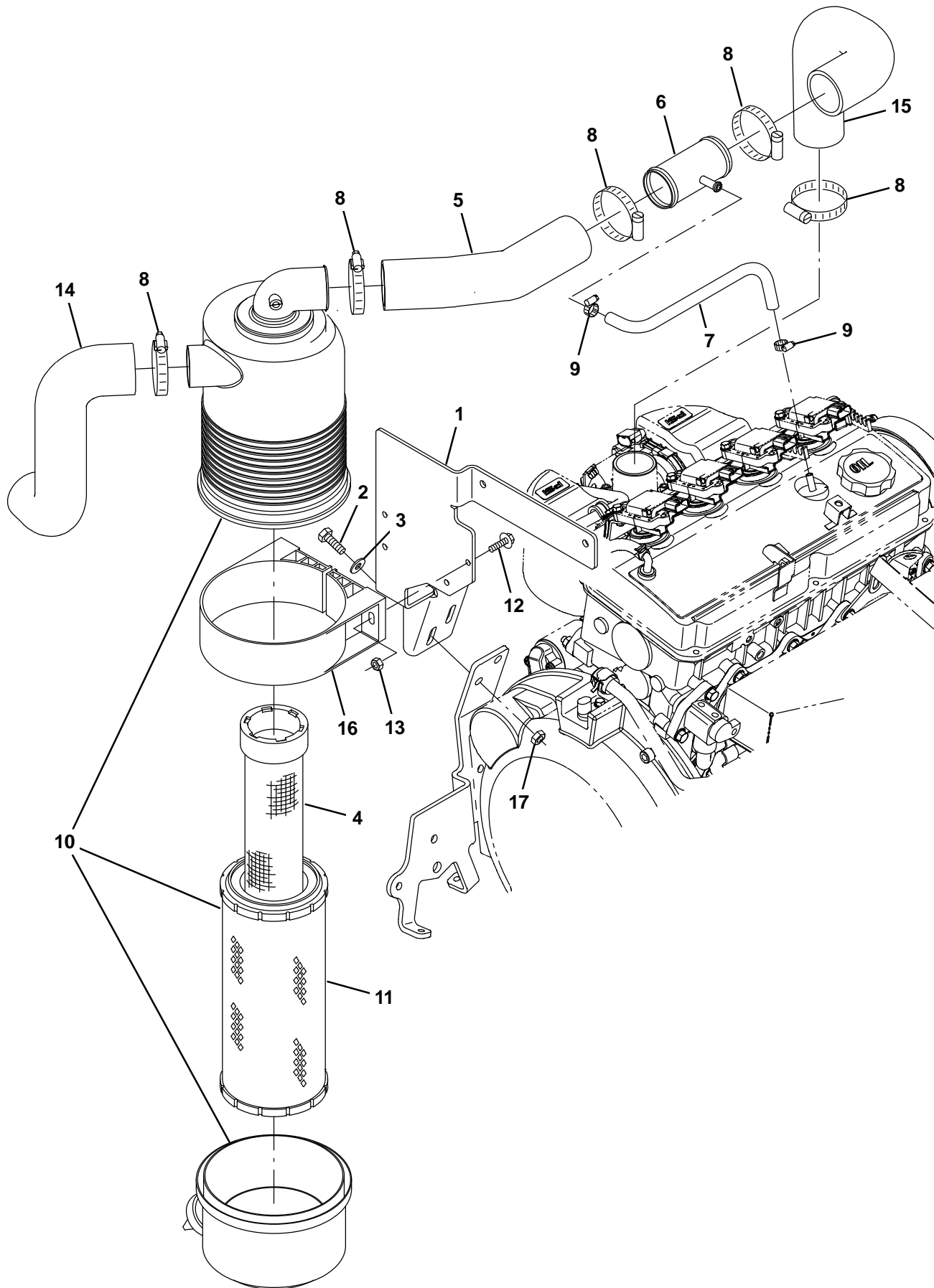


Fig. 28 – Engine Air Cleaner Group, Gasoline (006000– )

Ref.	Part No.	Serial Number	Description	Qty.	
1	1070822	(006000– )	Bracket, Mtg, Fltr, Air [Mit 2013]	1	
2	39277	(006000– )	Screw, Hex, M8 X 1.25 X 25, 8.8	2	
3	32491	(006000– )	Washer, Flat, 0.31, Std	2	
4	398279	(006000– )	Element, Fltr, Air, Safety (OPTION)	1	
5	1070788	(006000– )	Hose, Intake, Mold [Epdm Mit 2013]	1	
6	1070833	(006000– )	Tube Wldt, Tee [Mit 2013]	1	
7	381391	(006000– )	Hose, Drain, Overflow, Radiator [1pick=1ft]	1	
8	14432	(006000– )	Clamp, Hose, Wormdrive, 1.81–2.75d, .50w	5	
9	54333	(006000– )	Clamp, Hose, Wormdrive, 0.31–0.88d, .31w	2	
▽	10	369745	(006000– )	Filter Assy, Air	1
▲	11	369746	(006000– )	Element, Fltr, Air [Dn]	1
	12	1036892	(006000– )	Screw, Hex, M6 X 1.00 X 25, 9.8 Sems	2
	13	08708	(006000– )	Nut, Hex, Lock, M6 X 1.00, NI	2
	14	1020949	(006000– )	Hose, Intake, Mold, 2.00id [Epdm]	1
	15	1071404	(006000– )	Hose, Intake, Mold, Gas [Epdm Mit 2013]	1
	16	369747	(006000– )	Clamp, Mtg, Fltr, Air	1
	17	08709	(006000– )	Nut, Hex, Lock, M8 X 1.25, NI	2

Fig. 29 – Engine Air Cleaner Group, LPG (000000–001999)

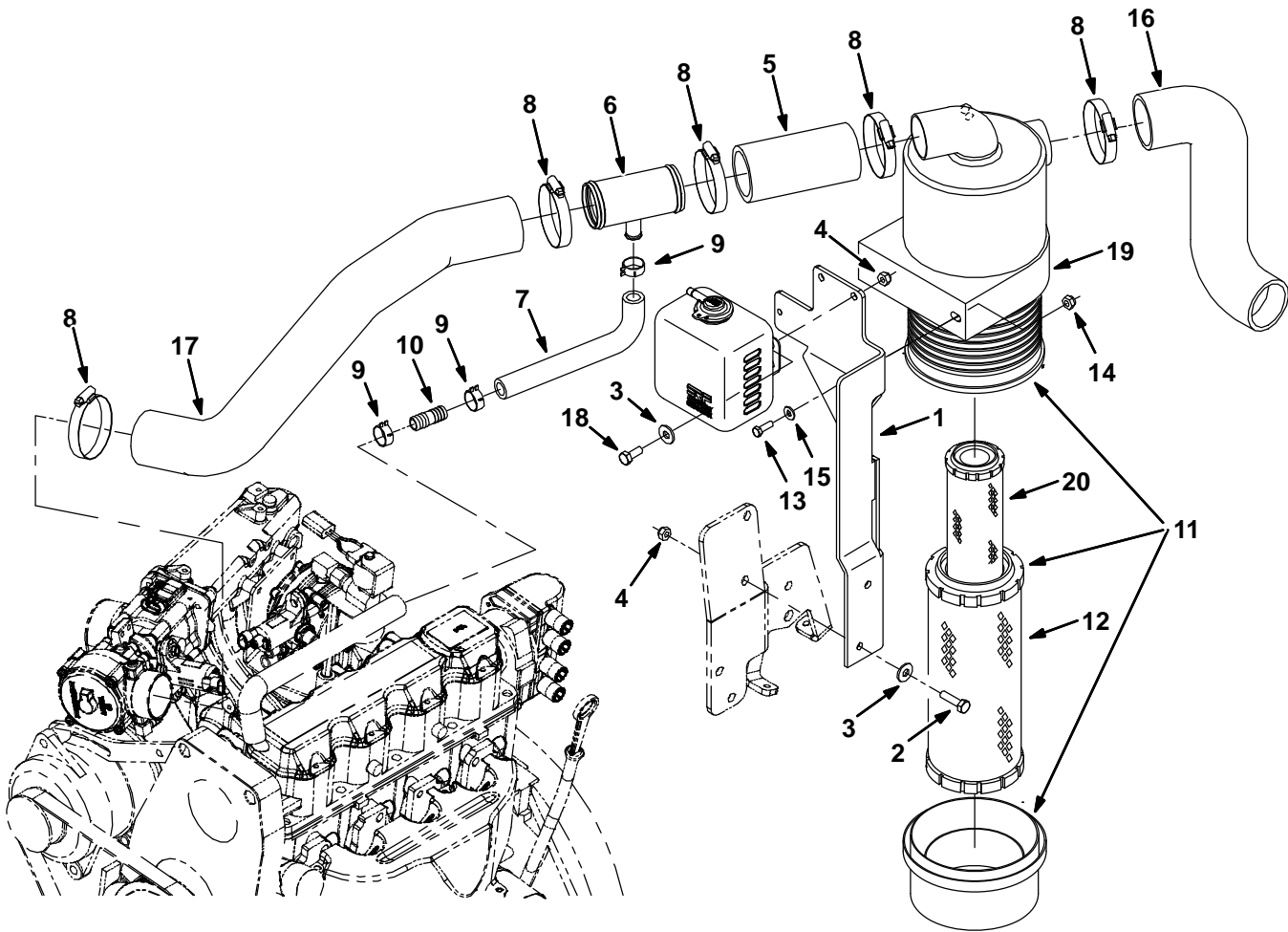


Fig. 29 – Engine Air Cleaner Group, LPG (000000–001999)

Ref.	Part No.	Serial Number	Description	Qty.	
1	1027856	(000000–001999 )	Bracket, Mtg, Fltr, Air	1	
2	39277	(000000–001999 )	Screw, Hex, M8 X 1.25 X 25, 8.8	2	
3	32491	(000000–001999 )	Washer, Flat, 0.31, Std	4	
4	08709	(000000–001999 )	Nut, Hex, Lock, M8 X 1.25, NI	4	
5	15543–2	(000000–001999 )	Hose, Rbr, 2.00id 2.50od 05.0l	1	
6	1011780	(000000–001999 )	Tube Wldt, Tee	1	
7	1021514	(000000–001999 )	Hose, Heater, E90, 0.62id 07.0 2.0	1	
8	14432	(000000–001999 )	Clamp, Hose, Wormdrive, 1.81–2.75d, .50w	5	
9	1011899	(000000–001999 )	Clamp, Hose, Spring Stl, 0.86d X 0.38w	3	
10	365164	(000000–001999 )	Fitting, Plstc, Str, Bm10/Bm10	1	
▽	11	369745	(000000–001999 )	Filter Assy, Air	1
▲	12	369746	(000000–001999 )	Element, Fltr, Air [Dn]	1
	13	06943	(000000–001999 )	Screw, Hex, M6 X 1.0 X 20, 8.8	2
	14	08708	(000000–001999 )	Nut, Hex, Lock, M6 X 1.0, NI	2
	15	32483	(000000–001999 )	Washer, Flat, 0.25 Sae	2
	16	1020949	(000000–001999 )	Hose, Intake, Mold, 2.00id [Epdm]	1
	17	1017987	(000000–001999 )	Hose, Intake, Mold, 2.00id, Lpg [Epdm]	1
	18	16931	(000000–001999 )	Screw, Hex, M8 X 1.25 X 20, 8.8	2
	19	369747	(000000–001999 )	Clamp, Mtg, Fltr, Air	1
	20	398279	(000000–001999 )	Element, Fltr, Air, Safety (OPTION)	1

**Fig. 30 – Engine Air Cleaner Group, LPG (002000–005999)**

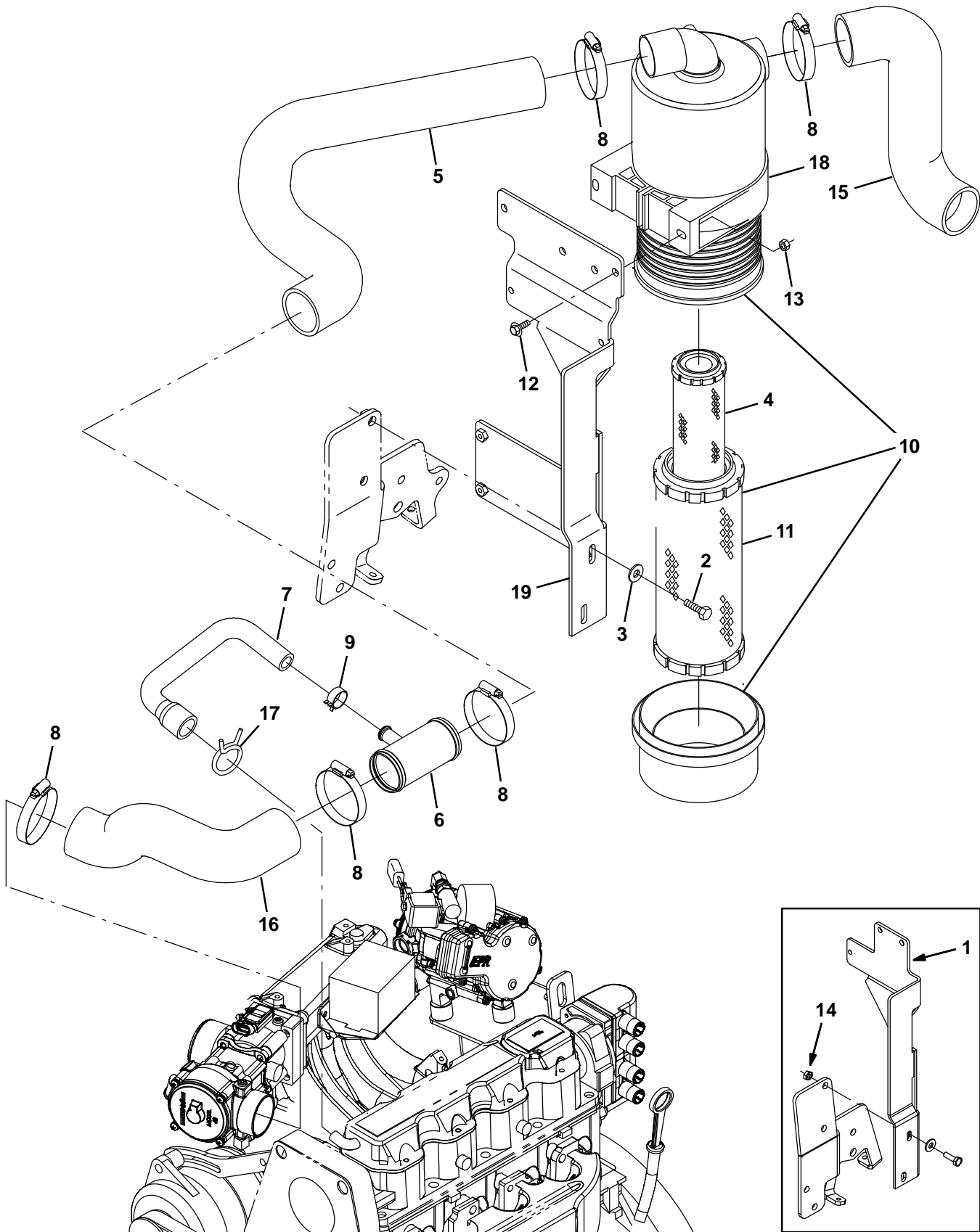


Fig. 30 – Engine Air Cleaner Group, LPG (002000–005999)

Ref.	Part No.	Serial Number	Description	Qty.	
1	1027856	(002000–003122 )	Bracket, Mtg, Fltr, Air	1	
2	39277	(002000–005999 )	Screw, Hex, M8 X 1.25 X 25, 8.8	2	
3	32491	(002000–005999 )	Washer, Flat, 0.31, Std	2	
4	398279	(002000–005999 )	Element, Fltr, Air, Safety (OPTION)	1	
5	1031614	(002000–005999 )	Hose, Intake, Mold, 2.0id [Epdm M20/T20]	1	
6	1011780	(002000–005999 )	Tube Wldt, Tee	1	
7	1032323	(002000–005999 )	Hose, Vent, E90, 0.62id[Gm1.6l 2007]	1	
8	14432	(002000–005999 )	Clamp, Hose, Wormdrive, 1.81–2.75d, .50w	5	
9	1011899	(002000–005999 )	Clamp, Hose, Spring Stl, 0.86d X 0.38w	1	
▽	10	369745	(002000–005999 )	Filter Assy, Air	1
▲	11	369746	(002000–005999 )	Element, Fltr, Air [Dn]	1
	12	1036892	(002000–005999 )	Screw, Hex, M6 X 1.00 X 25, 9.8 Sems	2
	13	08708	(002000–005999 )	Nut, Hex, Lock, M6 X 1.00, NI	2
	14	08709	(002000–xxxxxx )	Nut, Hex, Lock, M8 X 1.25, NI	2
	15	1020949	(002000–005999 )	Hose, Intake, Mold, 2.00id [Epdm]	1
	16	1031553	(002000–003122 )	Hose, Intake, Mold, 2.0id, Lpg	1
	16	1054558	(003123–005999 )	Hose, Intake, Mold, 2.0id, Lpg [Gm 2010]	1
	17	371854	(002000–005999 )	Clamp, Spring, 1.50	1
	18	369747	(002000–005999 )	Clamp, Mtg, Fltr, Air	1
	19	1056355	(003123–005999 )	Bracket, Mtg, Fltr, Air	1

Fig. 31 – Engine Air Cleaner Group, LPG (006000– )

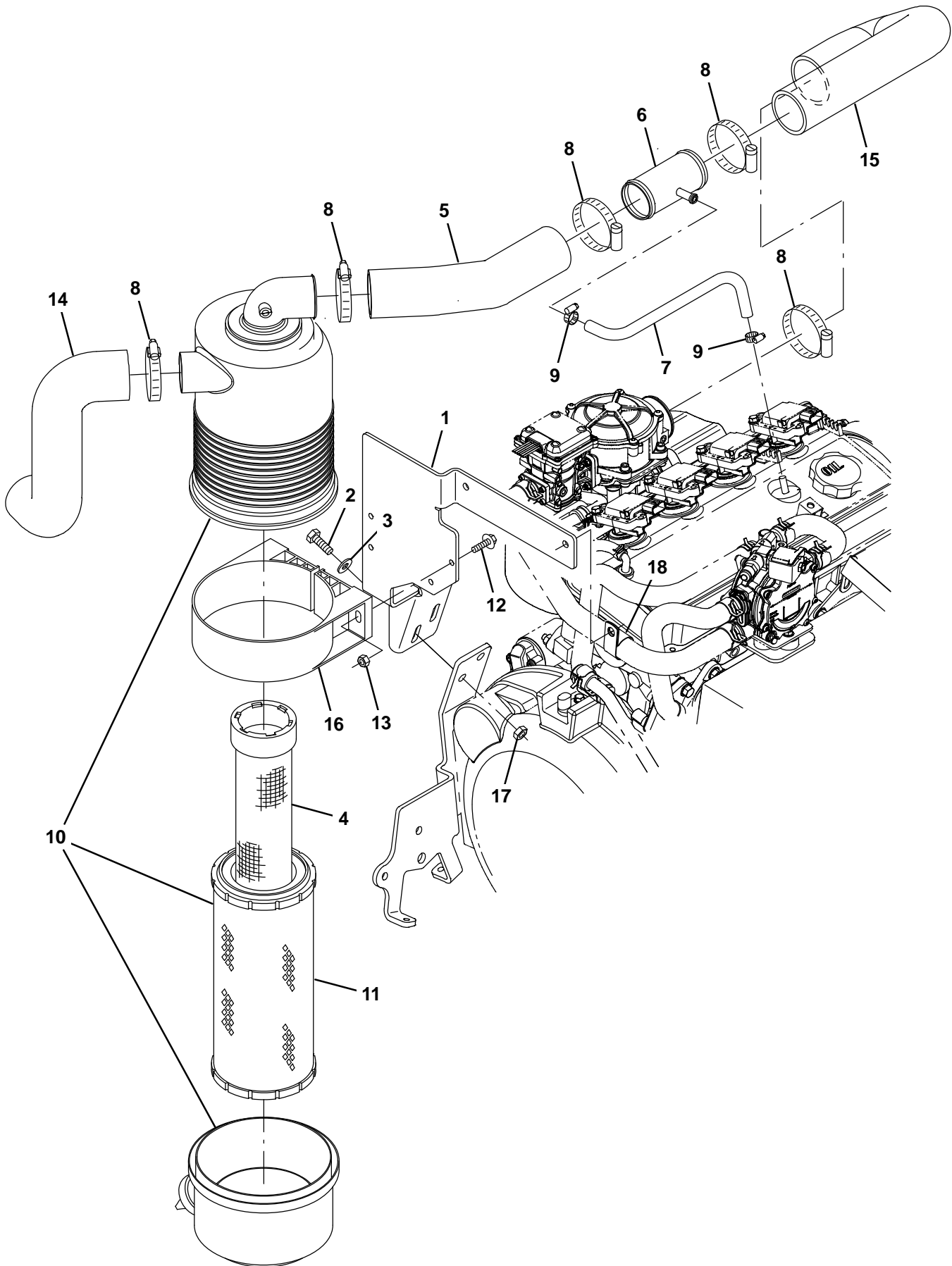


Fig. 31 – Engine Air Cleaner Group, LPG (006000– )

Ref.	Part No.	Serial Number	Description	Qty.	
1	1070822	(006000– )	Bracket, Mtg, Fltr, Air [Mit 2013]	1	
2	39277	(006000– )	Screw, Hex, M8 X 1.25 X 25, 8.8	2	
3	32491	(006000– )	Washer, Flat, 0.31, Std	2	
4	398279	(006000– )	Element, Fltr, Air, Safety (OPTION)	1	
5	1070788	(006000– )	Hose, Intake, Mold [Epdm Mit 2013]	1	
6	1070833	(006000– )	Tube Wldt, Tee [Mit 2013]	1	
7	381391	(006000– )	Hose, Drain, Overflow, Radiator [1pick=1ft]	1	
8	14432	(006000– )	Clamp, Hose, Wormdrive, 1.81–2.75d, .50w	5	
9	54333	(006000– )	Clamp, Hose, Wormdrive, 0.31–0.88d, .31w	2	
▽	10	369745	(006000– )	Filter Assy, Air	1
▲	11	369746	(006000– )	Element, Fltr, Air [Dn]	1
	12	1036892	(006000– )	Screw, Hex, M6 X 1.00 X 25, 9.8 Sems	2
	13	08708	(006000– )	Nut, Hex, Lock, M6 X 1.00, NI	2
	14	1020949	(006000– )	Hose, Intake, Mold, 2.00id [Epdm]	1
	15	1070787	(006000– )	Hose, Intake, Mold, Lpg [Epdm Mit2013]	1
	16	369747	(006000– )	Clamp, Mtg, Fltr, Air	1
	17	08709	(006000– )	Nut, Hex, Lock, M8 X 1.25, NI	2
	18	69234	(006000– )	Clamp, Cable, Stl, 1.00d X 0.75w, 1hole	1

# STANDARD PARTS

Fig. 32 – Engine Alternator and Fan Group (000000–005999)

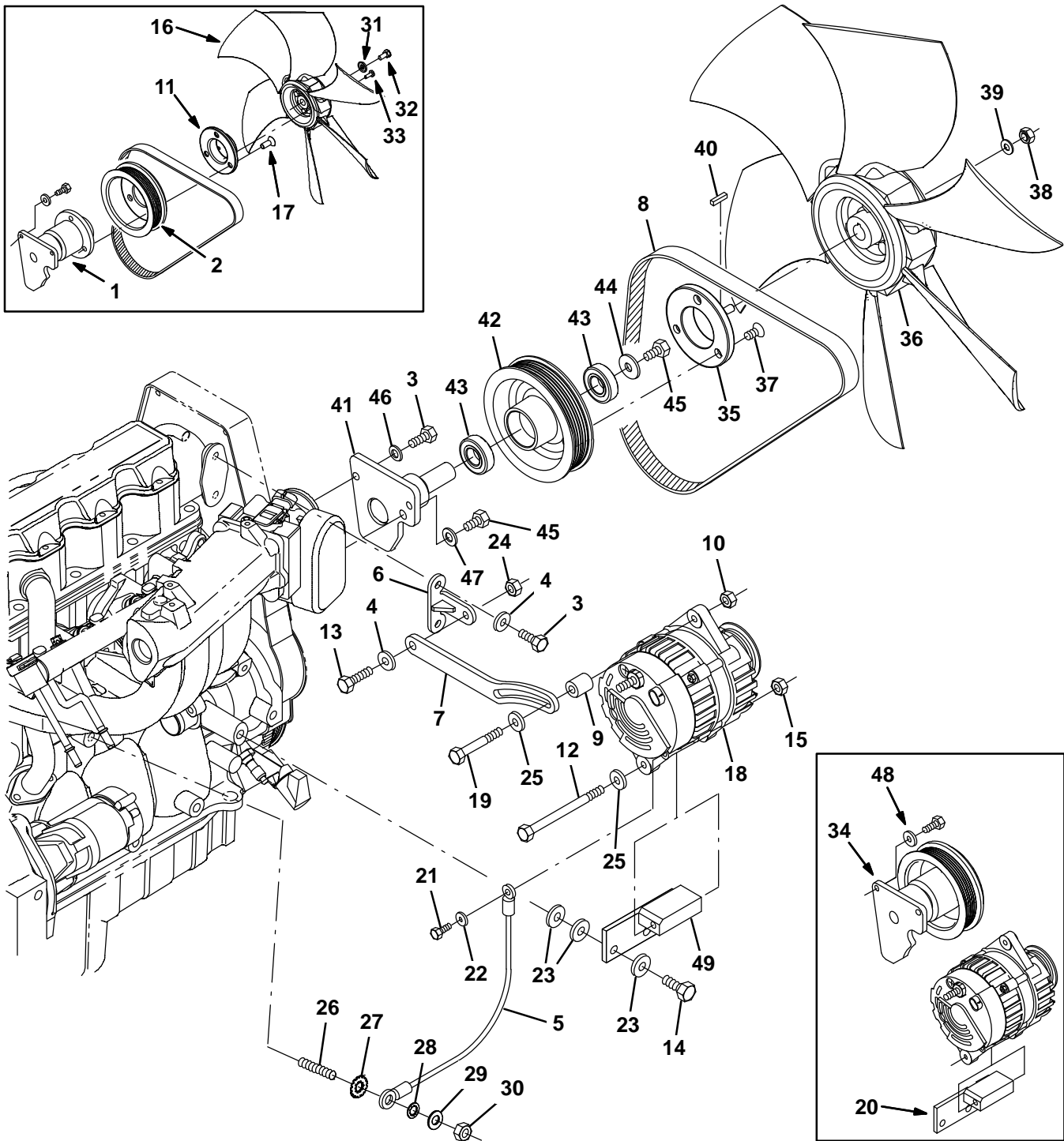


Fig. 32 – Engine Alternator and Fan Group (000000–005999)

Ref.	Part No.	Serial Number	Description	Qty.
1	371863	(000000–001999 )	Base Assy, Fan, W/O Pulley	1
2	1033428	(000000–001999 )	Sheave, 5.00dia [Gm1.6l 2007]	1
3	16931	(000000–005999 )	Screw, Hex, M8 X 1.25 X 20, 8.8	4
4	371865	(000000–005999 )	Washer, Flat, 0.31, Hardened	5
5	371527	(000000–005999 )	Wire, Ground	1
6	371871	(000000–005999 )	Bracket, Anchor, Strap, Alternator	1
7	371872	(000000–005999 )	Strap, Adj, Alternator	1
8	1033644	(000000–005999 )	Belt, Ribbed, 38.5l	1
9	372557	(000000–005999 )	Spacer, Strap, Adj, Alternator	1
10	39311	(000000–005999 )	Nut, Hex, Std, M8 X 1.25	1
11	1032242	(000000–001999 )	Spacer, Fan	1
12	39785	(000000–005999 )	Screw, Hex, .31–18 X 4.50, 5	1
13	76958	(000000–005999 )	Screw, Hex, .31–18 X 1.75, 5	1
14	06961	(000000–005999 )	Screw, Hex, M10 X 1.5 X 20, 8.8	2
15	32983	(000000–005999 )	Nut, Hex, Lock, .31–18, NI	1
16	1035031	(000000–001999 )	Fan, Cooling, Pusher, 15.5D [2007]	1
17	48998	(000000–001999 )	Screw, Flt, .38–16 X 1.00, Al	3
18	393209	(000000–005999 )	Alternator, 12vdc 075a [Multi Grv]	1
19	363976	(000000–005999 )	Screw, Hex, M8 X 1.25 X 60, 8.8, FI	1
20	9006917	(000000–003122 )	Bracket Kit, Alternator, Repair	1
21	42011	(000000–005999 )	Screw, Hex, #10–24 X 0.50, Ss	1
22	19066	(000000–005999 )	Washer, Flat, #10	1
23	32485	(000000–005999 )	Washer, Flat, 0.38 Sae	4
24	19313	(000000–005999 )	Nut, Hex, Std, .31–18	1
25	39349	(000000–005999 )	Washer, Flat, 0.31 Sae	2
26	384442	(000000–005999 )	Stud, M10 X 1.50 [35]	1
27	32988	(000000–005999 )	Washer, Lock, Int, 0.38	1
28	41142	(000000–005999 )	Washer, Lock, Int–Ext, 0.38	1
29	32485	(000000–005999 )	Washer, Flat, 0.38 Sae	1
30	32716	(000000–005999 )	Nut, Hex, Jam, M10 X 1.5, Ss	1
31	41186	(000000–001999 )	Washer, Flat, Belleville, .31	1
32	16735	(000000–001999 )	Screw, Hex, M8 X 1.25 X 16, 8.8	1
33	09145	(000000–001999 )	Screw, Pan, M6 X 1.00 X 16, 4.8	3
34	9007088	(002000–003122 )	Sheave Assy Kit, Repair	1
35	1035530	(002000–005999 )	Spacer, Fan, Taper [2007]	1
36	1035771	(002000–003038 )	Fan, Cooling, 15.5d, 6 Blade, .5b Taper	1
36	1046237	(003039–005999 )	Fan, Cooling, 16.0d, 6 Blade	1
37	48996	(002000–005999 )	Screw, Flt, .38–16 X 0.75, Al	3
38	08709	(002000–005999 )	Nut, Hex, Lock, M8 X 1.25, NI	1
39	32491	(002000–005999 )	Washer, Flat, 0.31, Std	1
40	00960	(002000–005999 )	Key, Sq, 0.12 X 0.12, 0.50l	1
41	1055381	(003123–005999 )	Plate Wldt, Fan, Hub [Gm 1.6l]	1
42	1055425	(003123–005999 )	Sheave, Mach [Gm1.6l]	1
43	1055377	(003123–005999 )	Bearing, Ball, 20mm B 42mm D 12mm W	2
44	1014563	(003123–005999 )	Washer, Flat, 0.40b 1.12d .12, Ss	1
45	21195	(003123–005999 )	Screw, Hex, .38–16 X 0.75, G5	2
46	39349	(003123–005999 )	Washer, Flat, 0.31, Sae	2
47	32485	(003123–005999 )	Washer, Flat, 0.38, Sae	1
48	371865	(000000–003122 )	Washer, Flat, 0.31, Hardened	2
49	1008640	(003123–005999 )	Bracket Wldt, Alternator, Lower [Gm1.6l]	1

**Fig. 33 – Engine Alternator and Fan Group (006000– )**

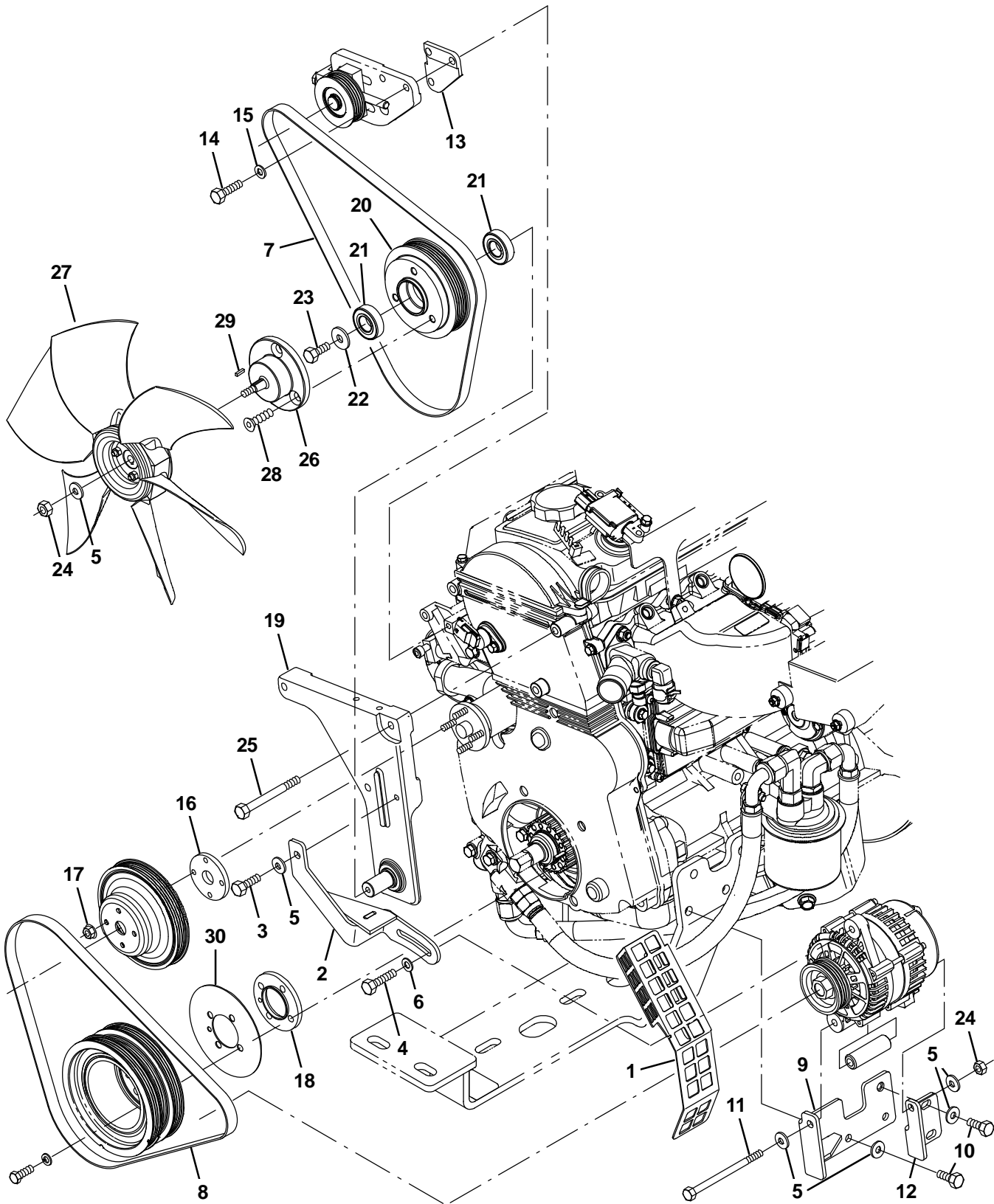


Fig. 33 – Engine Alternator and Fan Group (006000– )

Ref.	Part No.	Serial Number	Description	Qty.
1	1071727	(006000– )	Guard, Fan, Side	1
2	1070890	(006000– )	Arm Wldt, Alternator [Mit 2013]	1
3	16931	(006000– )	Screw, Hex, M8 X 1.25 X 20, 8.8	1
4	04375	(006000– )	Screw, Hex, M8 X 1.25 X 40, 8.8, FI	1
5	32491	(006000– )	Washer, Flat, 0.31, Std	7
6	41186	(006000– )	Washer, Flat, Belleville, .31	1
7	1071144	(006000– )	Belt, Ribbed, Fan, 42.13l	1
8	1071145	(006000– )	Belt, Ribbed, Alternator, 41.5l	1
9	1070764	(006000– )	Bracket Wldt, Alternator [Mit13]	1
10	39277	(006000– )	Screw, Hex, M8 X 1.25 X 25, 8.8	3
11	49883	(006000– )	Screw, Hex, M8 X 1.25 X 120, 8.8, FI	1
12	1070619	(006000– )	Bracket, Mtg, Alternator [Mit 2013]	1
13	1071107	(006000– )	Block, Spacer	1
14	76570	(006000– )	Screw, Hex, M8 X 1.25 X 30, 8.8	2
15	39349	(006000– )	Washer, Flat, 0.31, Sae	2
16	1071108	(006000– )	Spacer, Pump, Water	1
17	07790	(006000– )	Nut, Hex, Flng, M6 X 1.00	4
18	1071110	(006000– )	Spacer, Crankshaft	1
19	1070850	(006000– )	Plate, Mtg, Fan, Mach [Mit 2013]	1
20	1070426	(006000– )	Sheave, Mach [Mit 2615rpm Fan]	1
21	1055377	(006000– )	Bearing, Ball, 20mm B 42mm D 12mm W	2
22	1017218	(006000– )	Washer, Flat, 0.32b 1.00d .12, Ss	1
23	16735	(006000– )	Screw, Hex, M8 X 1.25 X 16, 8.8	1
24	08709	(006000– )	Nut, Hex, Lock, M8 X 1.25, NI	2
25	39281	(006000– )	Screw, Hex, M8 X 1.25 X 90, 8.8	3
26	1070431	(006000– )	Spacer, Fan, Taper [Mit 2013]	1
27	1031566	(006000– )	Fan, Cooling, 14.1d, 6 Blade, 0.5b Taper	1
28	48998	(006000– )	Screw, Flt, Soc, .38–16 X 1.00, AI	3
29	00960	(006000– )	Key, Sq, 0.12 X 0.12, 0.50l	1
30	1072421	(006000– )	Plate, Shield, Dust	1

Fig. 34 – Engine Muffler Group (000000–001999)

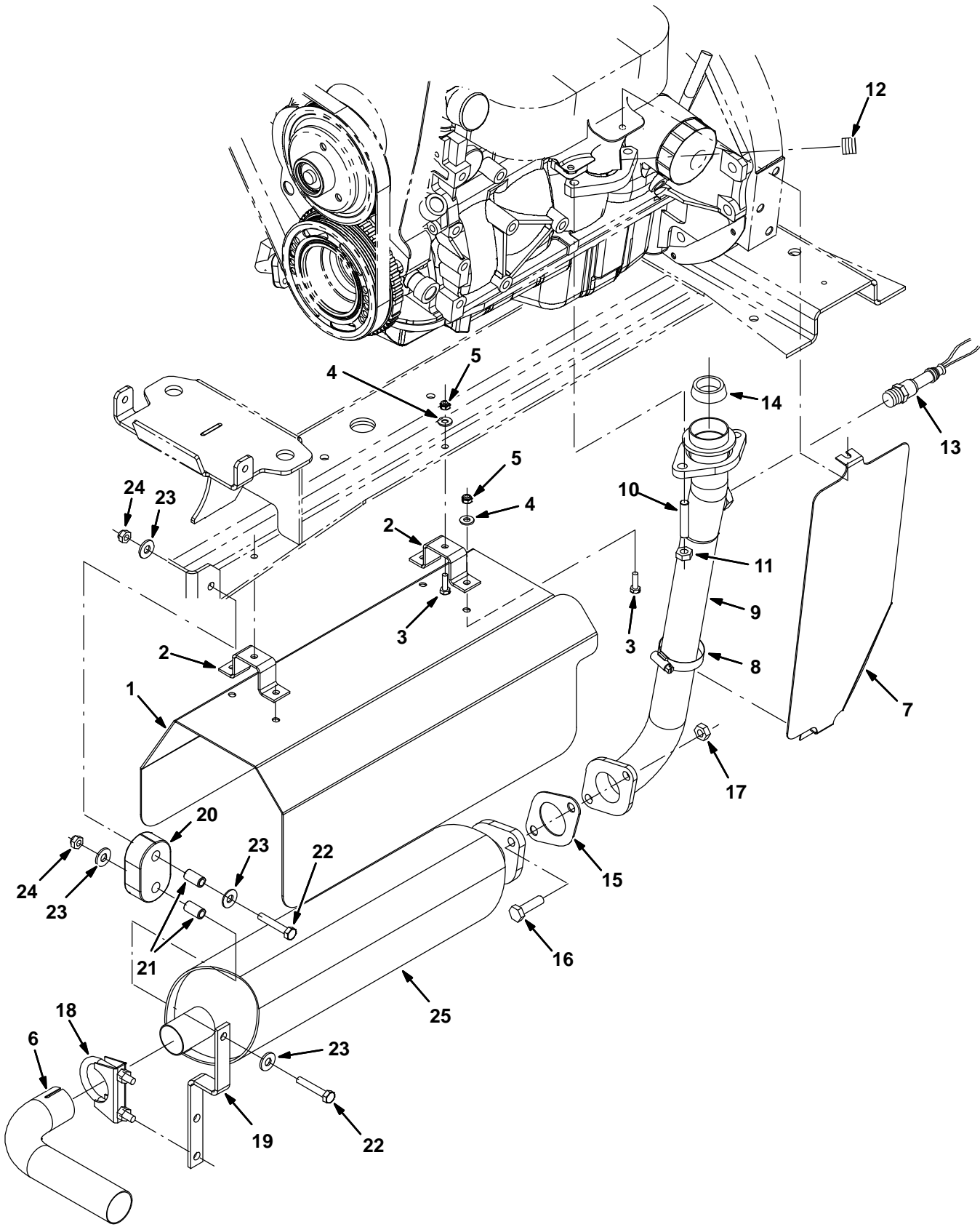


Fig. 34 – Engine Muffler Group (000000–001999)

Ref.	Part No.	Serial Number	Description	Qty.
1	1020602	(000000–001999 )	Channel, Shield, Muffler	1
2	1022113	(000000–001999 )	Bracket, Retainer, Shield, Heat	2
3	08716	(000000–001999 )	Screw, Hex, M6 X 1.0 X 20, Ss	6
4	32483	(000000–001999 )	Washer, Flat, 0.25 Sae	6
5	08712	(000000–001999 )	Nut, Hex, Lock, M6 X 1.0, Ss, NI	6
6	1021789	(000000–001999 )	Tube, Exhaust, 1.5d	1
7	9002394	(000000–001999 )	Plate, Shield, Heat, Gas/Lpg, Replmt	1
8	79381	(000000–001999 )	Clamp, Hose, Wormdrive, 1.25–2.00D, .50W	1
9	1018142	(000000–001999 )	Tube Wldt, Exhaust, Gas/Lpg	1
10	384442	(000000–001999 )	Stud, M10 X 1.50 [35]	2
11	08166	(000000–001999 )	Nut, Hex, M10 X 1.50 [Stover]	2
12	371860	(000000–001999 )	Fitting, Pipe, Plug, Metric, M18,Soc	1
13	372491	(000000–001999 )	Sensor, Oxygen	1
14	371861	(000000–001999 )	Gasket, Flng, Pipe, Exhaust	1
15	1011216	(000000–001999 )	Gasket, Exhaust, 2hole, 3.4bc	1
16	39284	(000000–001999 )	Screw, Hex, M10 X 1.5 X 35, 8.8	2
17	08166	(000000–001999 )	Nut, Hex, M10 X 1.5 [Stover]	2
18	24012	(000000–001999 )	Clamp, Muffler, 1.62d	1
19	1017969	(000000–001999 )	Bracket, Muffler, Hanger, Front	1
20	1013031	(000000–001999 )	Isolator, Rbr	1
21	222496	(000000–001999 )	Sleeve, P/M, 0.31b 0.50d 0.9l [430ss]	2
22	222505	(000000–001999 )	Screw, Hex, M8 X 1.25 X 45, Ss	2
23	01685	(000000–001999 )	Washer, Flat, 0.31, Ss	4
24	08713	(000000–001999 )	Nut, Hex, Lock, M8 X 1.25, NI, Ss	2
25	1022794	(000000–001999 )	Muffler, Short [Non–Catalytic Gm1.6/3.0]	1
25	1016624	(000000–001999 )	Muffler, Catalytic [Gm 1.6]	1

**Fig. 35 – Engine Muffler Group (002000–005999)**

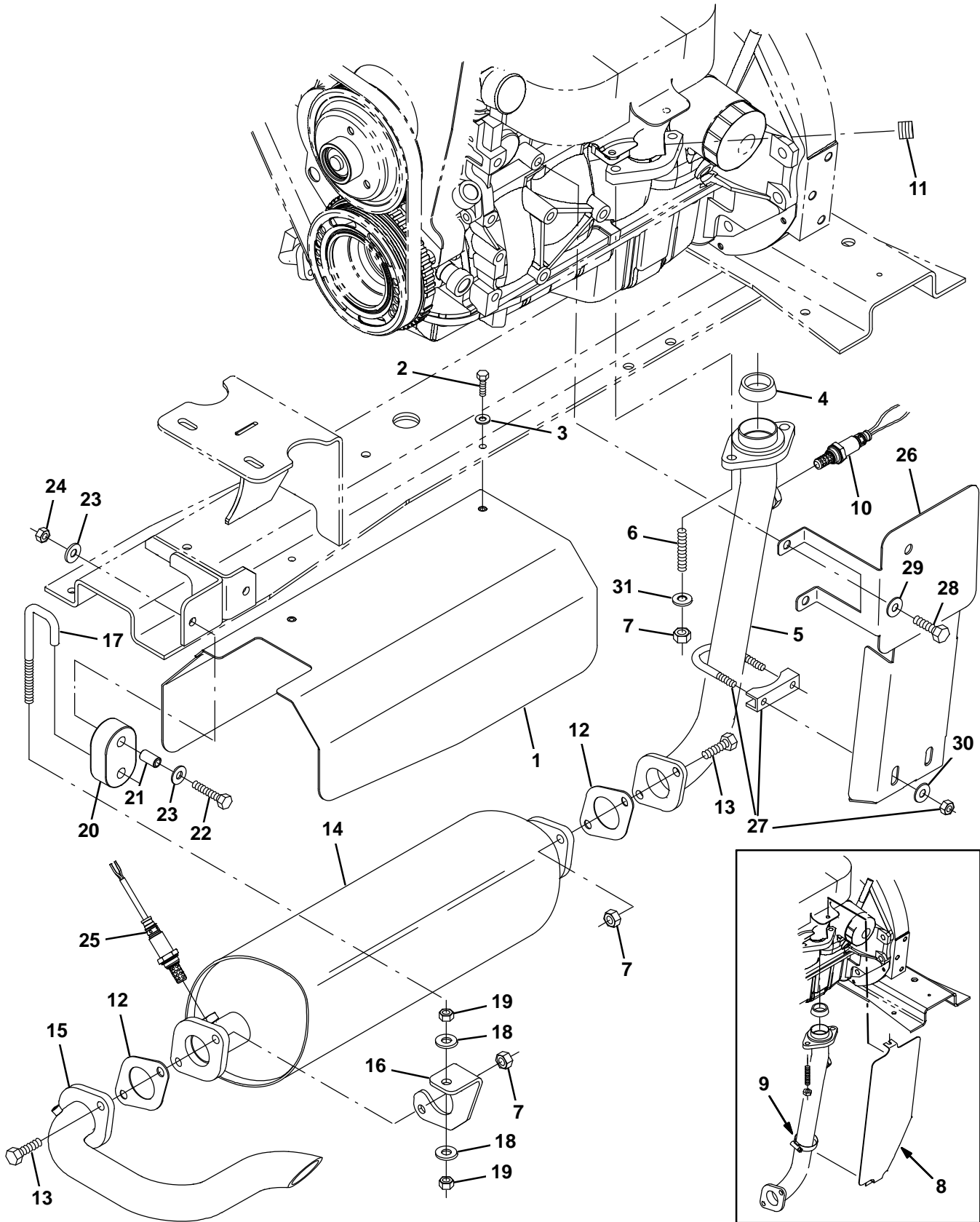


Fig. 35 – Engine Muffler Group (002000–005999)

Ref.	Part No.	Serial Number	Description	Qty.
1	1028994	(002000–005999 )	Channel, Shield, Muffler [M20/T20 2007]	1
2	08716	(002000–005999 )	Screw, Hex, M6 X 1.0 X 20, Ss	2
3	32483	(002000–005999 )	Washer, Flat, 0.25, Sae	2
4	371861	(002000–005999 )	Gasket, Flng, Pipe, Exhaust	1
5	1018142	(002000–005999 )	Tube Wldt, Exhaust, 1.6d, 2 Flng	1
6	384442	(002000–005999 )	Stud, M10 X 1.50 [35]	2
7	08166	(002000–005999 )	Nut, Hex, M10 X 1.50 [Stover]	6
8	9002394	(002000–002395 )	Plate, Shield, Heat, Gas/Lpg, Replmt	1
9	79381	(002000–002395 )	Clamp, Hose, Wormdrive, 1.25–2.00D, .50W	1
10	1028559	(002000–003122 )	Sensor, Oxygen [Gm 1.6L/3.0L 2007]	1
10	1028558	(003123–005999 )	Sensor, Exhaust, Tailpipe	1
11	371860	(002000–005999 )	Fitting, Pipe, Plug, Metric, M18,Soc	1
12	1011216	(002000–005999 )	Gasket, Exhaust, 2hole, 3.4bc	2
13	39284	(002000–005999 )	Screw, Hex, M10 X 1.5 X 35, 8.8	4
14	1028136	(002000–003122 )	Muffler, Catalytic [Gm 1.6l 2007]	1
14	1056241	(003123–005999 )	Muffler, Catalytic [Gm 1.6l 2010]	1
15	1028753	(002000–005999 )	Tube, Exhaust, Flng, 1.5d [M20/T20 2007]	1
16	1028929	(002000–005999 )	Bracket, Mtg, Muffler [M20/T20 2007]	1
17	1013117	(002000–005999 )	Rod, Hanger, Isolator	1
18	32492	(002000–005999 )	Washer, Flat, 0.38, Std	2
19	25014	(002000–005999 )	Nut, Hex, Std, .38–16	2
20	1013031	(002000–005999 )	Isolator, Rbr	1
21	222496	(002000–005999 )	Sleeve, P/M, 0.31b 0.50d 0.9l [430ss]	1
22	222505	(002000–005999 )	Screw, Hex, M8 X 1.25 X 45, Ss	1
23	01685	(002000–005999 )	Washer, Flat, 0.38b 0.88d .08, Ss	2
24	08713	(002000–005999 )	Nut, Hex, Lock, M8 X 1.25, NI, Ss	1
25	1028558	(002000–005999 )	Sensor, Exhaust, Tailpipe	1
26	9003832	(002396–005999 )	Shield, Heat, Gas/Lpg, Replmt	1
26	9004983	(002396–005999 )	Shield, Heat, Gas/Lpg, Replmt (Japan Only)	1
27	24012	(002396–005999 )	Clamp, Muffler, 1.62d	1
28	06961	(002396–005999 )	Screw, Hex, M10 X 1.50 X 20, 8.8	2
29	32485	(002396–005999 )	Washer, Flat, 0.38, Sae	2
30	32491	(002396–005999 )	Washer, Flat, 0.31, Std	2
31	41187	(002000–005999 )	Washer, Flat, Belleville, .38	2

Fig. 36 – Engine Muffler Group (006000– )

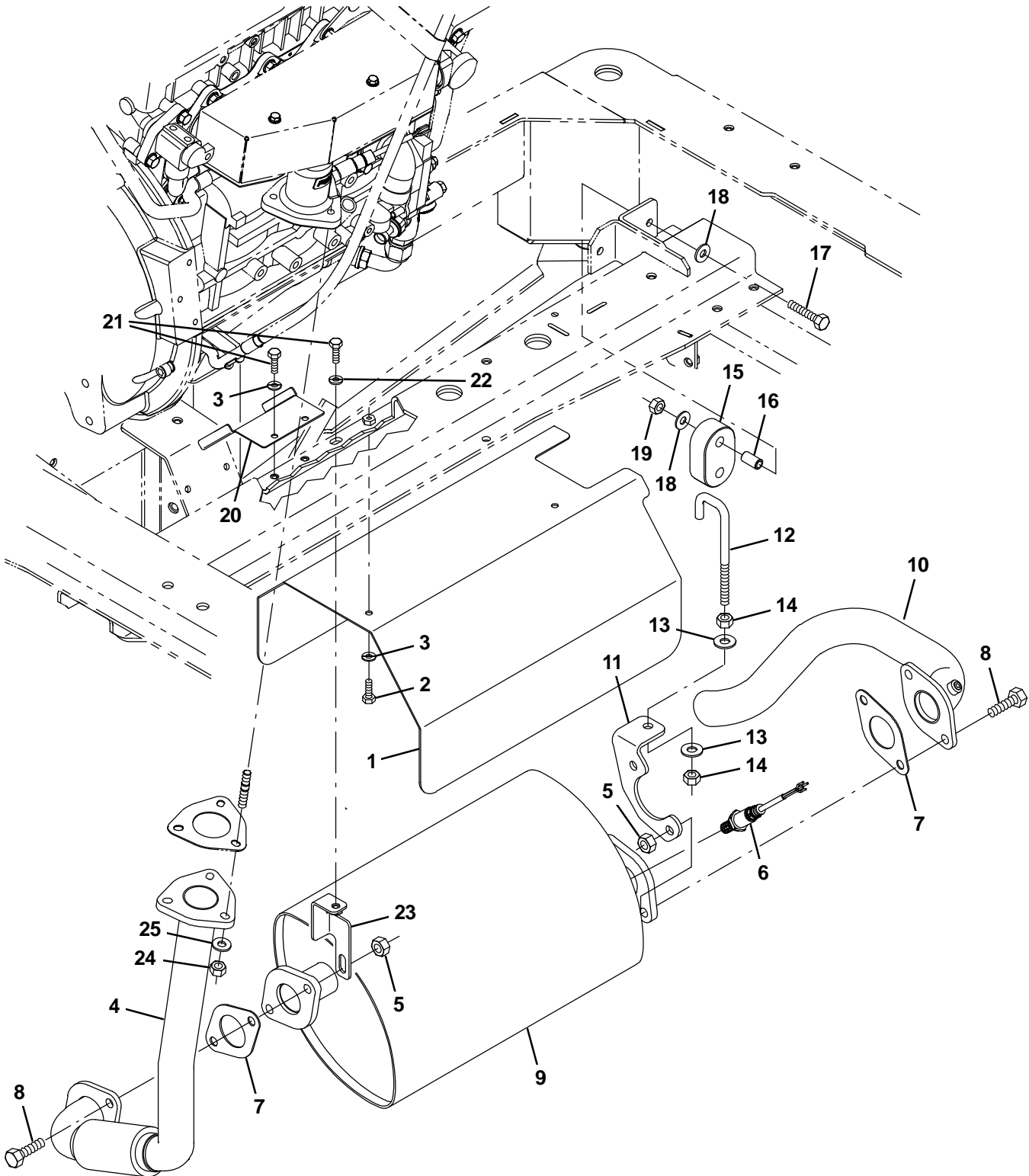


Fig. 36 – Engine Muffler Group (006000– )

Ref.	Part No.	Serial Number	Description	Qty.
1	1028994	(006000– )	Channel, Shield, Muffler [M20/T20 2007]	1
2	08716	(006000– )	Screw, Hex, M6 X 1.0 X 20, Ss	2
3	32483	(006000– )	Washer, Flat, 0.25, Sae	4
4	1071003	(006000– )	Pipe, Exhaust, Flex [Mit 2013]	1
5	08166	(006000– )	Nut, Hex, M10 X 1.50 [Stover]	4
6	1028558	(006000– )	Sensor, Exhaust, Tailpipe	1
7	1011216	(006000– )	Gasket, Exhaust, 2hole, 3.4bc	2
8	39284	(006000– )	Screw, Hex, M10 X 1.5 X 35, 8.8	4
9	1071376	(006000– )	Muffler, Catalytic [Mit 2.0l 2013]	1
10	1028753	(006000– )	Tube, Exhaust, Flng, 1.5d [M20/T20 2007]	1
11	1028929	(006000– )	Bracket, Mtg, Muffler [M20/T20 2007]	1
12	1013117	(006000– )	Rod, Hanger, Isolator	1
13	32492	(006000– )	Washer, Flat, 0.38, Std	2
14	25014	(006000– )	Nut, Hex, Std, .38–16	2
15	1013031	(006000– )	Isolator, Rbr	1
16	222496	(006000– )	Sleeve, P/M, 0.31b 0.50d 0.9l [430ss]	1
17	222505	(006000– )	Screw, Hex, M8 X 1.25 X 45, Ss	1
18	01685	(006000– )	Washer, Flat, 0.38b 0.88d .08, Ss	2
19	08713	(006000– )	Nut, Hex, Lock, M8 X 1.25, NI, Ss	1
20	1071418	(006000– )	Shield, Tray, Drip [Mit 2013]	1
21	06943	(006000– )	Screw, Hex, M6 X 1.00 X 20, 8.8	3
22	32490	(006000– )	Washer, Flat, 0.25, Std	1
23	1071113	(006000– )	Bracket, Muffler	1
24	08165	(006000– )	Nut, Hex, Stover, M8	3
25	39349	(006000– )	Washer, Flat, 0.31, Sae	3

**Fig. 37 – Engine Radiator Group (000000-003038)**

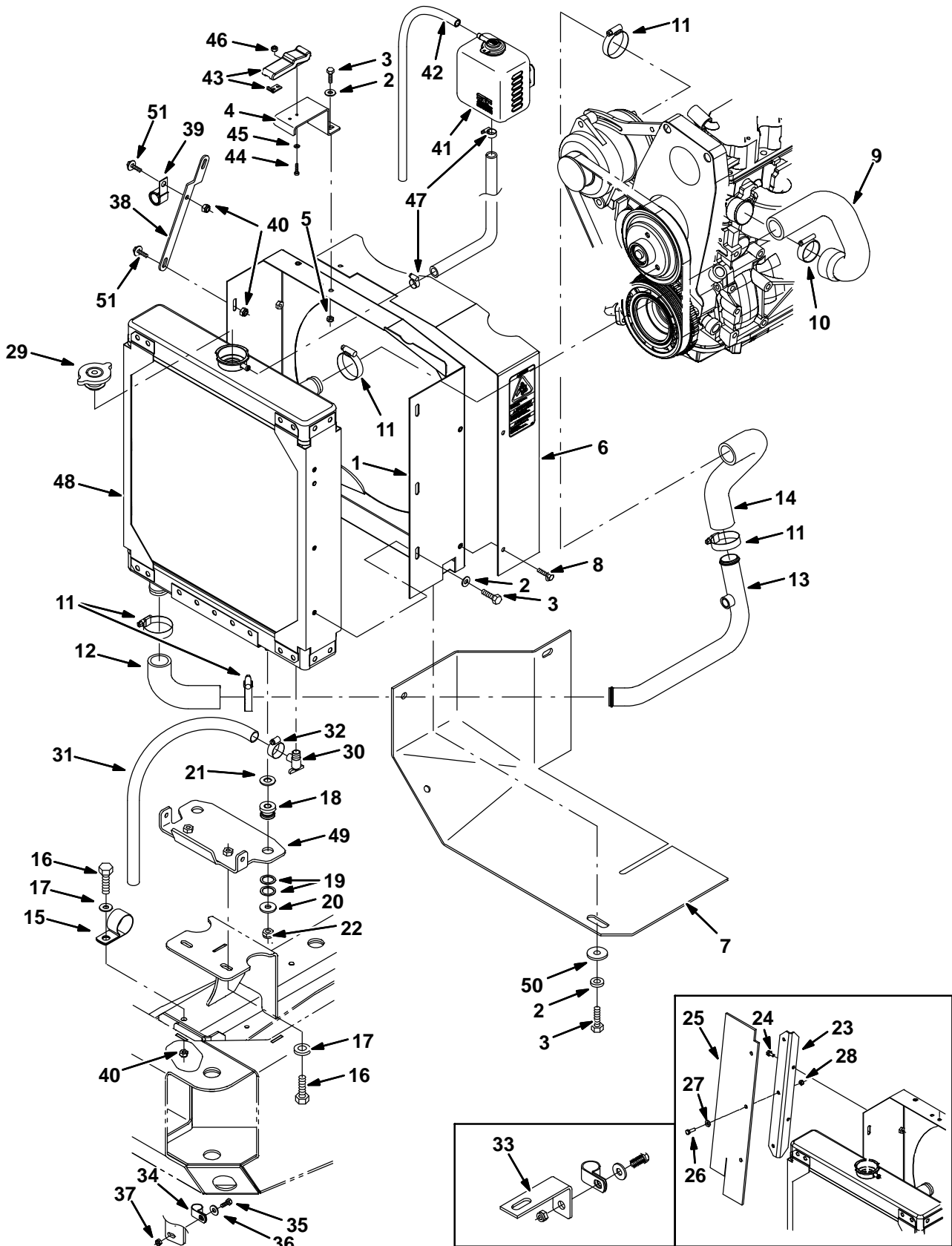


Fig. 37 – Engine Radiator Group (000000–003038)

Ref.	Part No.	Serial Number	Description	Qty.
1	1038499	(000000–003038 )	Panel Wldt, Shrd, Fan	1
2	32490	(000000–003038 )	Washer, Flat, 0.25 Std	9
3	06942	(000000–003038 )	Screw, Hex, M6 X 1.0 X 16, 8.8	13
4	1018463	(000000–003038 )	Bracket, Mtg, Latch	1
5	08708	(000000–003038 )	Nut, Hex, Lock, M6 X 1.0, NI	5
6	9002393	(000000–003038 )	Plate, Guard, Fan Shrd, Gas/Lpg, Replmt	1
7	1035222	(000000–003038 )	Skirt, Debris, Eng Radiator	1
8	74455	(000000–003038 )	Screw, Hex, M6 X 1.0 X 12, Fmg	3
9	1011799	(000000–003038 )	Hose, Radiator, Upper, Mold	1
10	22297	(000000–003038 )	Clamp, Hose, Wormdrive, 1.56–2.50d, .50w	1
11	79381	(000000–003038 )	Clamp, Hose, Wormdrive, 1.25–2.00D, .50W	7
12	1007482	(000000–003038 )	Hose, Rbr, E90 1.25id 1.25id 04.2 03.1	1
13	1019273	(000000–003038 )	Tube, Coolant, Lower, 1.3d	1
14	1019265	(000000–003038 )	Hose, Radiator, Lower, Mold	1
15	53466	(000000–003038 )	Clamp, Cable, Stl, 1.50d X 1.00w, 1h	1
16	39277	(000000–003038 )	Screw, Hex, M8 X 1.25 X 25, 8.8	3
17	32491	(000000–003038 )	Washer, Flat, 0.31, Std	3
18	54274	(000000–003038 )	Isolator, Vib, Bshg, 1.1d 0.6l .4b 0.78h	2
19	09832	(000000–003038 )	Washer, Flat, 0.81b 1.06d .06, Stl	4
20	1014563	(000000–003038 )	Washer, Flat, 0.40b 1.12d .12, Ss	2
21	32486	(000000–003038 )	Washer, Flat, 0.50 Sae	2
22	41430	(000000–003038 )	Nut, Hex, Lock, M10 X 1.5, NI	2
23	1027099	(000000–001261 )	Plate, Mtg, Seal	1
24	74455	(000000–001261 )	Screw, Hex, M6 X 1.0 X 12, Fmg	2
25	1027103	(000000–001261 )	Seal, Radiator	1
26	06943	(000000–003038 )	Screw, Hex, M6 X 1.0 X 20, 8.8	4
27	32483	(000000–001261 )	Washer, Flat, 0.25 Sae	3
28	08708	(000000–001261 )	Nut, Hex, Lock, M6 X 1.0, NI	3
29	1045764	(000000–003038 )	Cap, Radiator, 14psi [Stant Ao–2516]	1
30	51305	(000000–003038 )	Fitting, Draincock, E90, .25npt	1
31	73471	(000000–003038 )	Hose, Pvc, Clr, 0.38id 0.56od 22.00l	1
32	43844	(000000–003038 )	Clamp, Hose, Wormdrive, 0.25–0.62d, .31w	1
33	1026003	(000000–002241 )	Bracket, Ftg, Bh	1
34	67767	(000000–003038 )	Clamp, Cable, Stl, 0.69d X 0.62w, 1h	1
35	09740	(000000–003038 )	Screw, Hex, M8 X 1.25 X 20, Ss	1
36	01685	(000000–003038 )	Washer, Flat, 0.31, Ss	1
37	08713	(000000–003038 )	Nut, Hex, Lock, M8 X 1.25, NI, Ss	1
38	1019968	(000000–003038 )	Bracket, Mtg, Radiator	1
39	30407	(000000–003038 )	Clip, Keeper, Open	1
40	08709	(000000–003038 )	Nut, Hex, Lock, M8 X 1.25, NI	4
41	1023853	(000000–003038 )	Tank, Coolant, 04.7 03.3 4.7deep, 1liter	1
42	1015041	(000000–003038 )	Hose, Afmkt, Coolant Recvy, 05ft	1
43	49800	(000000–003038 )	Latch	1
44	06927	(000000–003038 )	Screw, Pan, M4 X 0.70 X 16, 4.8	2
45	19064	(000000–003038 )	Washer, Flat, #06	2

## STANDARD PARTS

Fig. 37 – Engine Radiator Group (000000–003038)

Ref.	Part No.	Serial Number	Description	Qty.
46	02850	(000000–003038 )	Nut, Hex, Lock, M4 X 0.7, NI	2
47	43844	(000000–003038 )	Clamp, Hose, Wormdrive, 0.25–0.62d, .31w	2
48	1018059	(000000–002492 )	Radiator (Replaced by 1045316)	1
48	1041291	(002493–003038 )	Radiator	1
49	1035976	(001338–003038 )	Bracket, Sppt, Radiator, Upper	1
50	41178	(000000–003038 )	Washer, Flat, 0.25, Fendr	3
51	1040467	(000000–003038 )	Screw, Hex, M6 X 1.0 X 20, 9.8, Sems	2



# STANDARD PARTS

Fig. 38 – Engine Radiator and Mount Group (003039–005999)

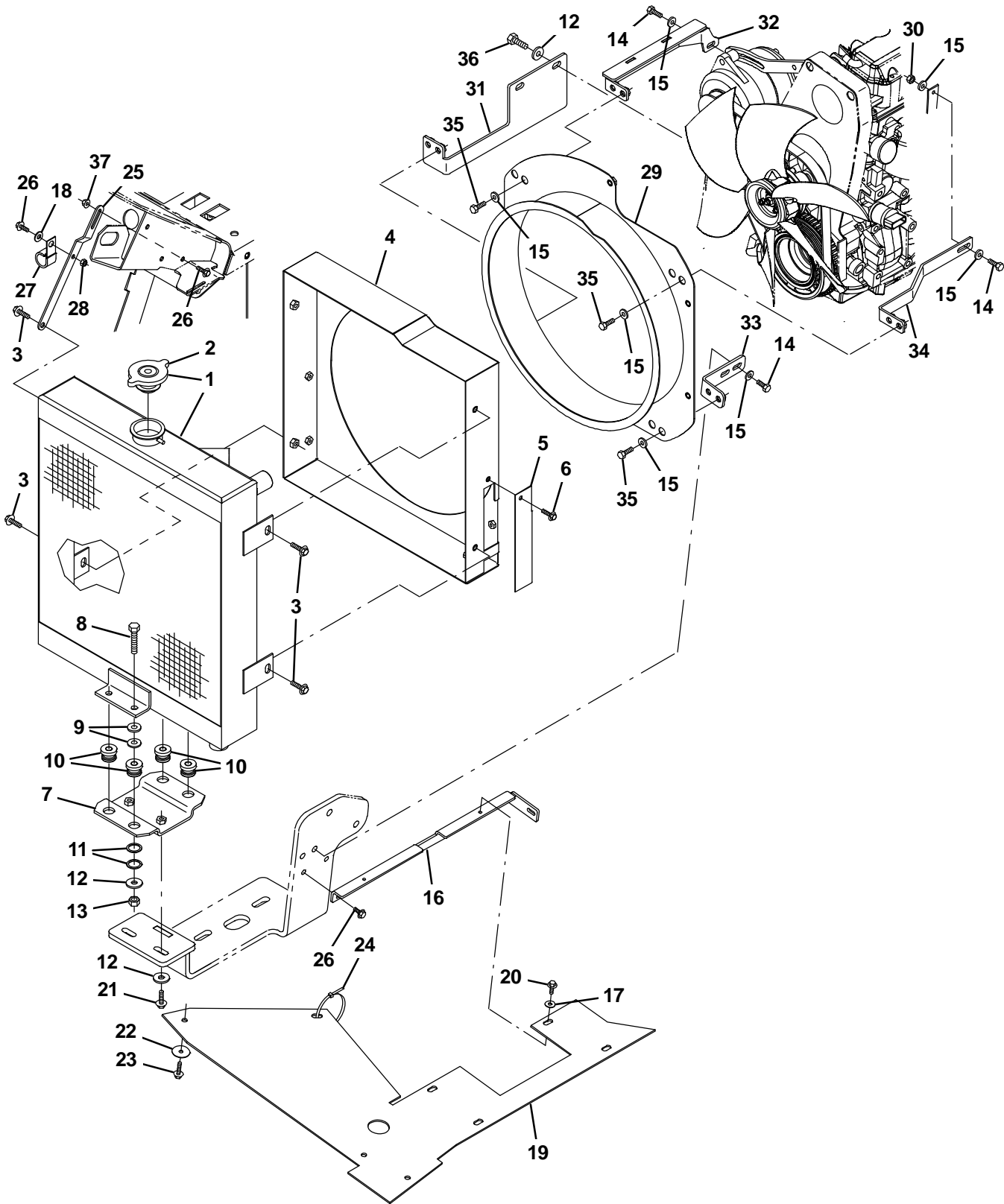


Fig. 38 – Engine Radiator and Mount Group (003039–005999)

Ref.	Part No.	Serial Number	Description	Qty.
▽	1	1045940	(003039–005999 ) Radiator, W/ Hyd Cooler [Side X Side]	1
▲	2	1045764	(003039–005999 ) Cap, Radiator, 14Psi [Stant]	1
	3	1037346	(003039–005999 ) Screw, Hex, M8 X 1.25 X 25, 9.8, Sems	4
	4	9006811	(003039–005999 ) Shrd Wldt,Fan,G/Lp, Replmt [M20/M30/T20]	1
	4	9006813	(003039–005999 ) Shrd Wldt,Fan,G/Lp, Replmt [TJ] (Japan Only)	1
	5	1045433	(003039–005999 ) Bracket, Cover	1
	6	1036892	(003039–005999 ) Screw, Hex, M6 X 1.00 X 25, 9.8 Sems	2
	7	1046962	(003039–005999 ) Bracket, Mtg, Radiator	1
	8	06962	(003039–005999 ) Screw, Hex, M10 X 1.50 X 45, 8.8	4
	9	32492	(003039–005999 ) Washer, Flat, 0.38, Std	8
	10	54274	(003039–005999 ) Isolator, Vib, Bshg, 1.1d 0.6l .4b 0.78h	4
	11	09832	(003039–005999 ) Washer, Flat, 0.81b 1.06d .06, Stl	8
	12	1014563	(003039–005999 ) Washer, Flat, 0.40b 1.12d .12, Ss	6
	13	41430	(003039–005999 ) Nut, Hex, Lock, M10 X 1.5, NI	4
	14	39277	(003039–005999 ) Screw, Hex, M8 X 1.25 X 25, 8.8	4
	15	32491	(003039–005999 ) Washer, Flat, 0.31, Std	12
	16	1043897	(003039–005999 ) Bracket, Skirt, Rbr	1
	17	32483	(003039–005999 ) Washer, Flat, 0.25, Sae	2
	18	32490	(003039–005999 ) Washer, Flat, 0.25, Std	2
	19	1052170	(003039–005999 ) Skirt, Eng Fan, Gas / Lp	1
	20	361339	(003039–005999 ) Screw, Hex, M6 X 1.00 X 16, Fmg	2
	21	1037355	(003039–005999 ) Screw, Hex, M8 X 1.25 X 35, 9.8, Sems	2
	22	41178	(003039–005999 ) Washer, Flat, 0.25, Fendr	3
	23	1036892	(003039–005999 ) Screw, Hex, M6 X 1.00 X 25, 9.8 Sems	3
	24	49266	(003039–005999 ) Tie, Cable, Nyl, 07.3l .19w 1.8 Max D	1
	25	1019968	(003039–005999 ) Bracket, Mtg, Radiator	1
	26	1040467	(003039–005999 ) Screw, Hex, M6 X 1.00 X 20, 9.8, Sems	4
	27	30407	(003039–005999 ) Clip, Keeper, Open	1
	28	08708	(003039–005999 ) Nut, Hex, Lock, M6 X 1.00, NI	1
	29	1046039	(003039–005999 ) Shroud Wldt, Fan, 16.25d [Side X Side]	1
	30	08165	(003039–005999 ) Nut, Hex, Stover, M8 X 1.25	1
	31	1045419	(003039–005999 ) Bracket, Fan, Rh	1
	32	1045530	(003039–005999 ) Bracket Wldt, Mtg, Fan, Upper	1
	33	1045415	(003039–005999 ) Bracket, Fan, Lh	1
	34	1045447	(003039–005999 ) Bracket, Fan, Upper, Lh	1
	35	16931	(003039–005999 ) Screw, Hex, M8 X 1.25 X 20, 8.8	9
	36	39283	(003039–005999 ) Screw, Hex, M10 X 1.50 X 25, 8.8	2
	37	07790	(003039–005999 ) Nut, Hex, Flng, M6 X 1.00	1

Fig. 39 – Engine Radiator and Mount Group (006000– )

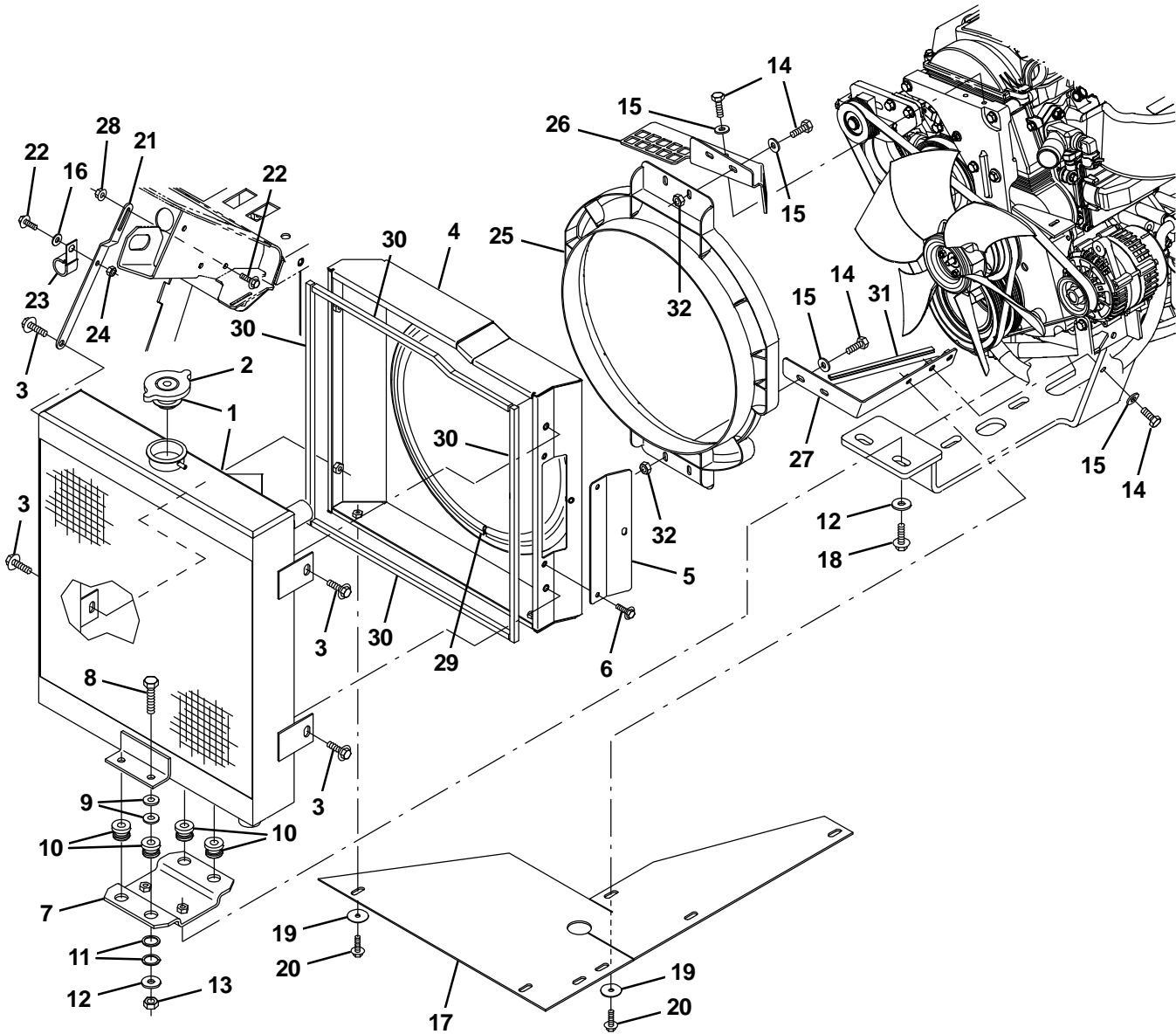


Fig. 39 – Engine Radiator and Mount Group (006000– )

Ref.	Part No.	Serial Number	Description	Qty.
▽	1	1045940	(006000– ) Radiator, W/ Hyd Cooler [Side X Side]	1
▲	2	1045764	(006000– ) Cap, Radiator, 14Psi [Stant]	1
	3	1037346	(006000– ) Screw, Hex, M8 X 1.25 X 25, 9.8, Sems	4
	4	9010096	(006000– ) Shrd Wldt,Fan,G/Lp, Replmt [M20/M30/T20]	1
	4	9010097	(006000– ) Shrd Wldt,Fan,G/Lp, Replmt [TJ] (Japan Only)	1
	5	1070955	(006000– ) Plate, Door, Clean-Out [Mit2013]	1
	6	1036892	(006000– ) Screw, Hex, M6 X 1.00 X 25, 9.8 Sems	3
	7	1046962	(006000– ) Bracket, Mtg, Radiator	1
	8	06962	(006000– ) Screw, Hex, M10 X 1.50 X 45, 8.8	4
	9	32492	(006000– ) Washer, Flat, 0.38, Std	8
	10	54274	(006000– ) Isolator, Vib, Bshg, 1.1d 0.6l .4b 0.78h	4
	11	09832	(006000– ) Washer, Flat, 0.81b 1.06d .06, Stl	8
	12	1014563	(006000– ) Washer, Flat, 0.40b 1.12d .12, Ss	4
	13	41430	(006000– ) Nut, Hex, Lock, M10 X 1.5, NI	4
	14	39277	(006000– ) Screw, Hex, M8 X 1.25 X 25, 8.8	8
	15	32491	(006000– ) Washer, Flat, 0.31, Std	11
	16	32490	(006000– ) Washer, Flat, 0.25, Std	2
	17	1071785	(006000– ) Skirt, Eng Fan, Gas / Lp	1
	18	1037355	(006000– ) Screw, Hex, M8 X 1.25 X 35, 9.8, Sems	2
	19	41178	(006000– ) Washer, Flat, 0.25, Fendr	7
	20	1036892	(006000– ) Screw, Hex, M6 X 1.00 X 25, 9.8 Sems	7
	21	1019968	(006000– ) Bracket, Mtg, Radiator	1
	22	1040467	(006000– ) Screw, Hex, M6 X 1.00 X 20, 9.8, Sems	2
	23	30407	(006000– ) Clip, Keeper, Open	1
	24	08708	(006000– ) Nut, Hex, Lock, M6 X 1.00, NI	1
	25	1054428	(006000– ) Shroud, Fan	1
	26	1070434	(006000– ) Bracket, Shrd, Fan, Upper, Sppt, G/Lpg	1
	27	1070860	(006000– ) Bracket, Shrd, Fan, Lower, Sppt, G/Lpg	1
	28	07790	(006000– ) Nut, Hex, FIng, M6 X 1.00	1
	29	1048166	(006000– ) Seal, Afmkt, Bulb, Str, 0.58d 08ft	1
	30	1015205	(006000– ) Seal, Afmkt, Ure, Adh, 0.38, 0.38w 02ft	4
	31	57569	(006000– ) Molding, Trim, Pvc, .08–.11 06.8l	1
	32	08709	(006000– ) Nut, Hex, Lock, M8 X 1.25, NI	4

# STANDARD PARTS

Fig. 40 – Engine Radiator Hose Group (003039–005999)

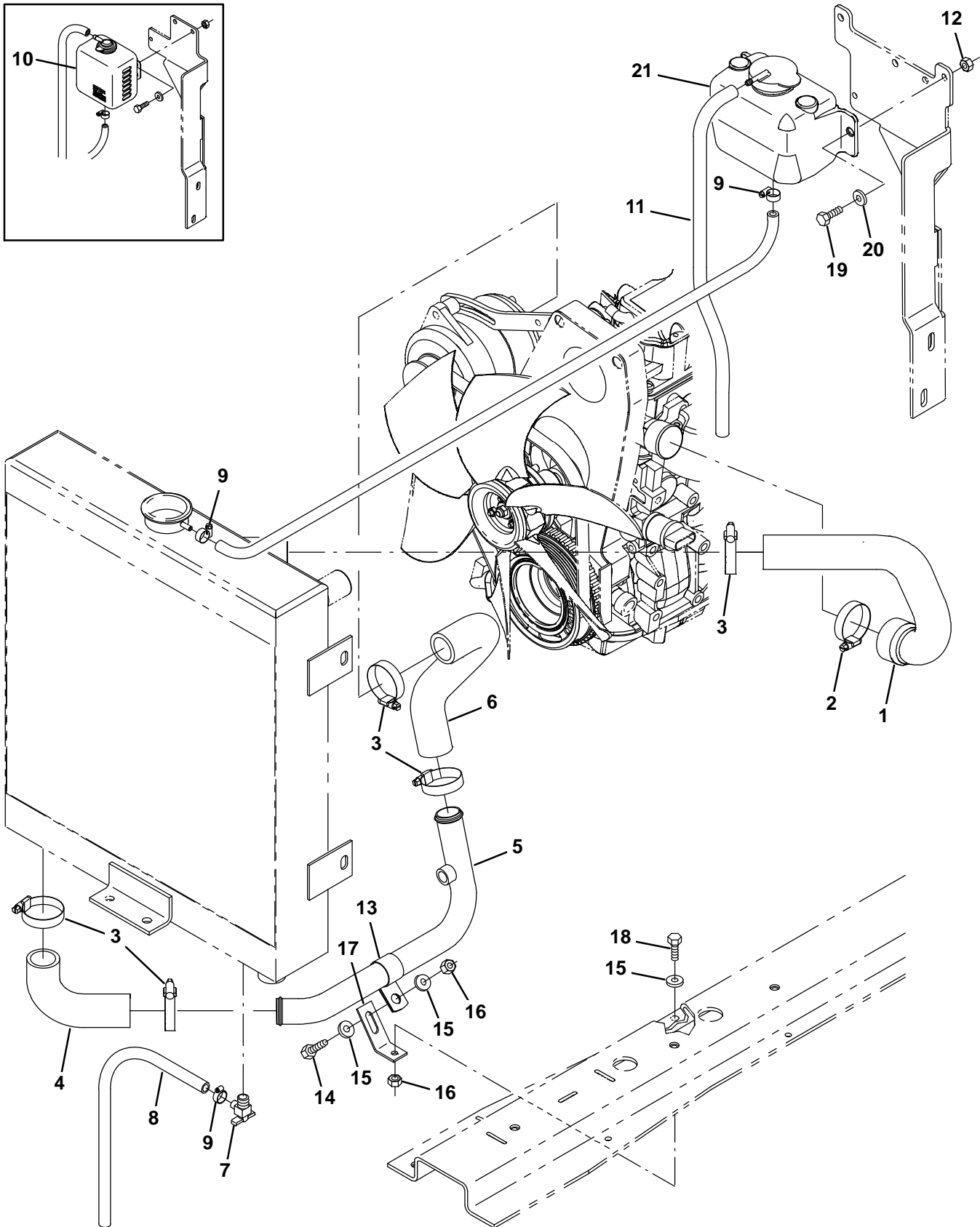


Fig. 40 – Engine Radiator Hose Group (003039–005999)

Ref.	Part No.	Serial Number	Description	Qty.
1	1014747	(003039–005999 )	Hose, Coolant, Mold, 1.25id To 1.62id	1
2	22297	(003039–005999 )	Clamp, Hose, Wormdrive, 1.56–2.50d, .50w	1
3	79381	(003039–005999 )	Clamp, Hose, Wormdrive, 1.25–2.00d, .50w	5
4	1007482	(003039–005999 )	Hose, Rbr, E90, 1.25id 1.25id 04.2 03.1	1
5	1043322	(003039–005999 )	Tube, Coolant, 1.3d, Lower	1
6	1019265	(003039–005999 )	Hose, Radiator, Lower, Mold	1
7	51305	(003039–005999 )	Fitting, Draincock, E90, .25npt	1
8	73471	(003039–005999 )	Hose, Pvc, Clr, 0.38id 0.56od 022.0l	1
9	43844	(003039–005999 )	Clamp, Hose, Wormdrive, 0.25–0.62d, .31w	3
10	1023853	(003039–003122 )	Tank, Coolant, 03.30w 4.7hi 04.7l, 1liter	1
11	1015041	(003039–003122 )	Hose, Afmkt, Coolant Recvy, 05ft	1
11	87738	(003123–005999 )	Hose, Fuel, 0.18id, 29.0l	1
12	08709	(003039–005999 )	Nut, Hex, Lock, M8 X 1.25, NI	2
13	58366	(003039–005999 )	Clamp, Cable, Stl, 1.25d X 1.00w, 1hole	1
14	09010	(003039–005999 )	Screw, Hex, M8 X 1.25 X 25, Ss	1
15	01685	(003039–005999 )	Washer, Flat, 0.38b 0.88d .08, Ss	3
16	08713	(003039–005999 )	Nut, Hex, Lock, M8 X 1.25, NI, Ss	2
17	1035214	(003039–005999 )	Bracket, Tube, Coolant	1
18	09740	(003039–005999 )	Screw, Hex, M8 X 1.25 X 20, Ss	1
19	16931	(003039–005999 )	Screw, Hex, M8 X 1.25 X 20, 8.8	2
20	32491	(003039–005999 )	Washer, Flat, 0.31, Std	2
21	1054382	(003123–005999 )	Tank, Coolant, 03.6w 04.1hi 05.5l, 1liter	1

**Fig. 41 – Engine Radiator Hose Group (006000– )**

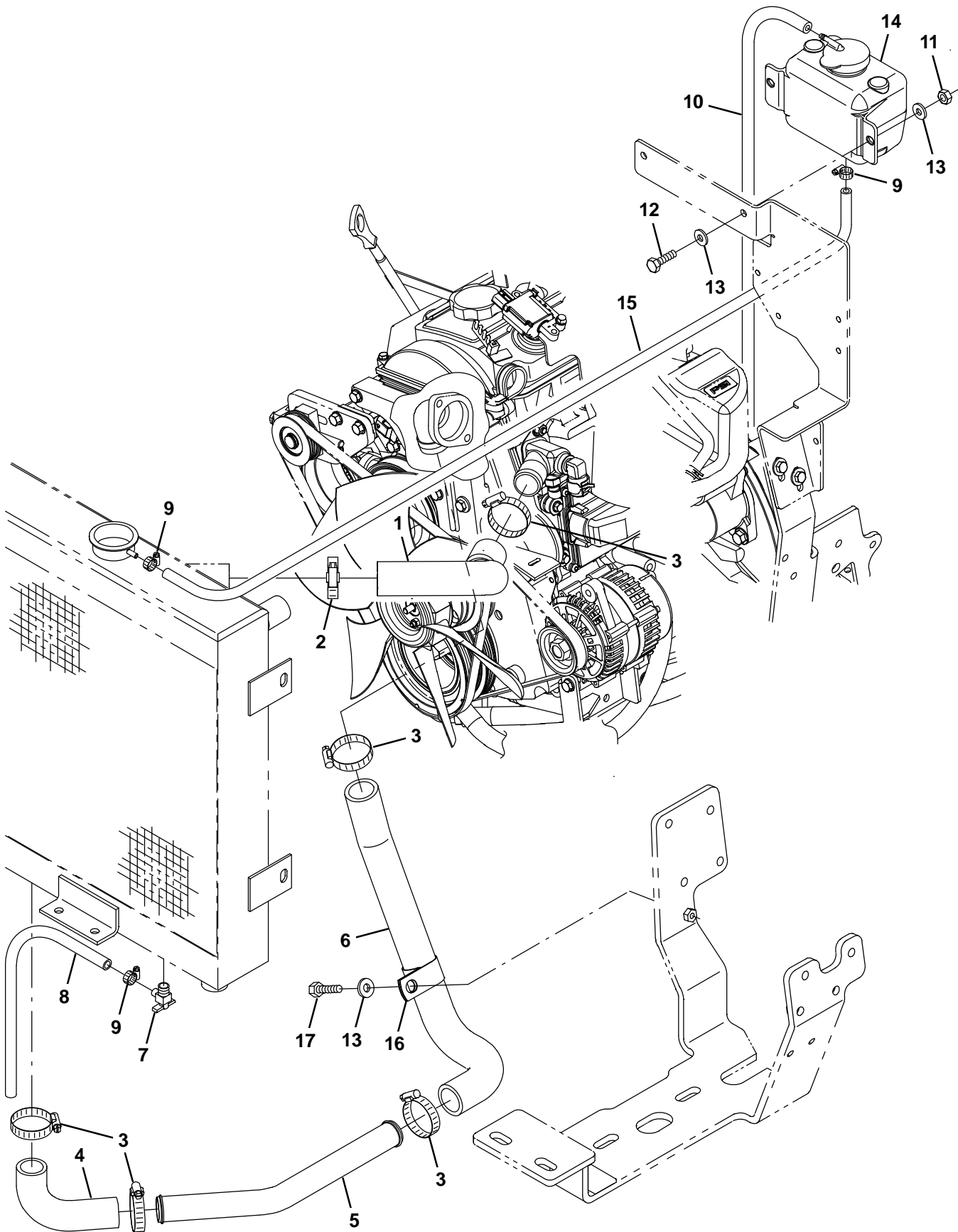


Fig. 41 – Engine Radiator Hose Group (006000– )

Ref.	Part No.	Serial Number	Description	Qty.
1	1070732	(006000– )	Hose, Coolant, Upper, Mold [Mit 2013]	1
2	22297	(006000– )	Clamp, Hose, Wormdrive, 1.56–2.50d, .50w	1
3	79381	(006000– )	Clamp, Hose, Wormdrive, 1.25–2.00d, .50w	5
4	1007482	(006000– )	Hose, Rbr, E90, 1.25id 1.25id 04.2 03.1	1
5	1071099	(006000– )	Tube, Coolant, 1.3d, Lower [Mit 2013]	1
6	9010904	(006000– )	Hose Kit, Coolant, Replmt [Mitsubishi}	1
7	51305	(006000– )	Fitting, Draincock, E90, .25npt	1
8	73471	(006000– )	Hose, Pvc, Clr, 0.38id 0.56od 022.0l	1
9	43844	(006000– )	Clamp, Hose, Wormdrive, 0.25–0.62d, .31w	3
10	87738	(006000– )	Hose, Fuel, 0.18id, 29.0l	1
11	08709	(006000– )	Nut, Hex, Lock, M8 X 1.25, NI	2
12	39277	(006000– )	Screw, Hex, M8 X 1.25 X 25, 8.8	2
13	32491	(006000– )	Washer, Flat, 0.31, Std	5
14	1054382	(006000– )	Tank, Coolant, 03.6w 04.1hi 05.5l, 1liter	1
15	1014843	(006000– )	Hose, Afmkt, Coolant Recvy, 05ft	1
16	53466	(006000– )	Clamp, Cable, Stl, 1.50d X 1.00w, 1hole	1
17	16931	(006000– )	Screw, Hex, M8 X 1.25 X 20, 8.8	1

**Fig. 42 – Battery and Electrical Group**

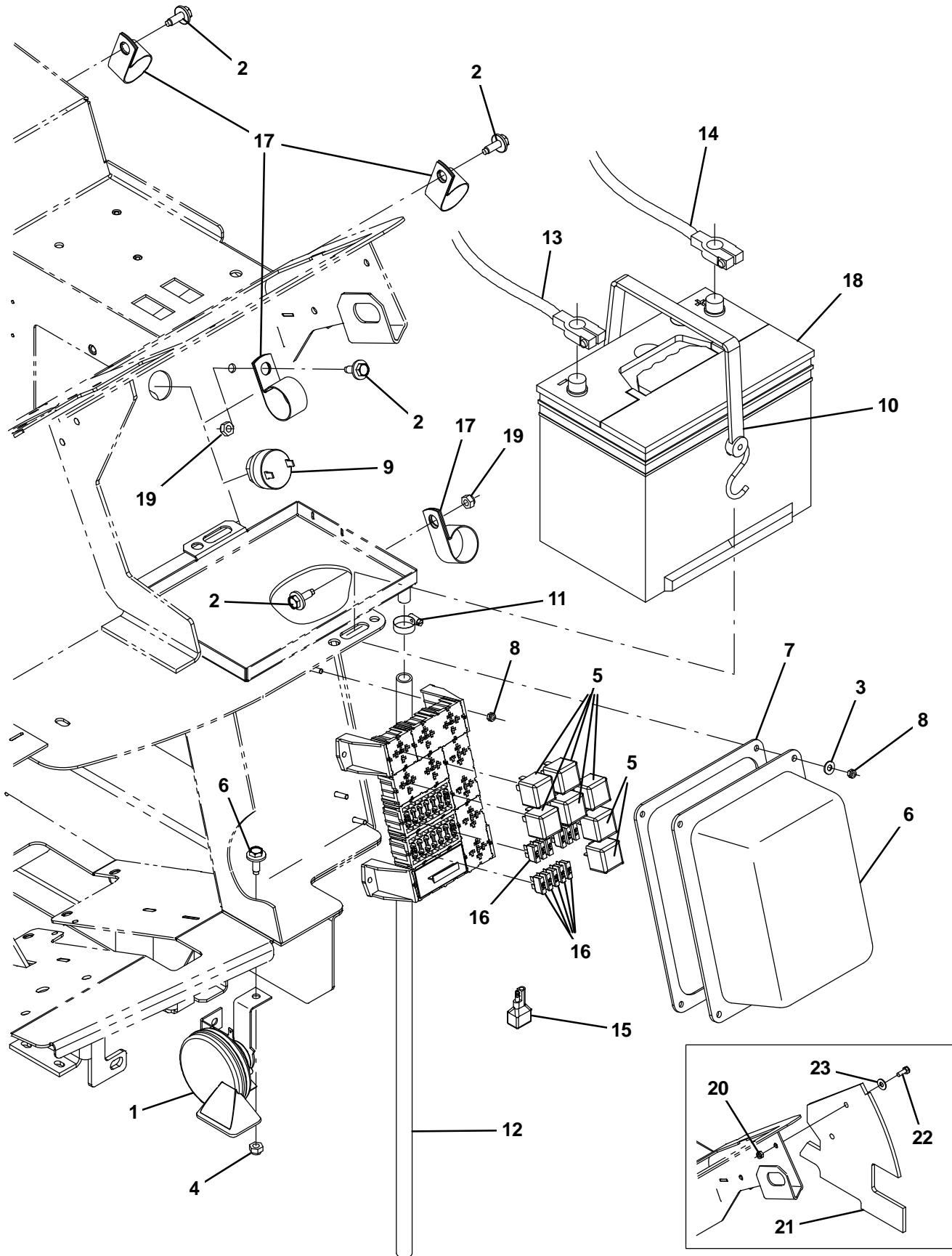


Fig. 42 – Battery and Electrical Group

Ref.	Part No.	Serial Number	Description	Qty.
1	369704	(000000–	) Horn, 12vdc, DbA [Wolo]	1
2	1037346	(000000–	) Screw, Hex, M8 X 1.25 X 25, 9.8, Sems	5
3	19066	(000000–	) Washer, Flat, #10	4
4	08709	(000000–	) Nut, Hex, Lock, M8 X 1.25, NI	1
5	57804	(000000–	) Relay, 12vdc, 40a, Spdt N/O	7
6	1024274	(000000–	) Cover, Fuse, Block	1
7	1026576	(000000–	) Gasket, Cover, Fuse Block	1
8	06549	(000000–	) Nut, Hex, Lock, M5 X 0.8, NI	8
9	1021290	(000000–	) Alarm, Warning [Sonalert, St628]	1
10	33671	(000000–	) Strap, Rbr, Tie-Down, 2/Hooks 19.0l	1
11	54333	(000000–	) Clamp, Hose, Wormdrive, 0.31–0.88d, .31w	1
12	20778	(000000–	) Hose, Pvc, Clr, 0.50id 0.69od 30.00l	1
13	60295	(000000–005999	) Cable, Battery, 02ga 60.0l Blk .41ring	1
13	1071481	(006000–	) Cable, Battery, 2ga, 62l, Blk	1
14	68869	(000000–005999	) Cable, Battery, 02ga 48.0l Red .41ring	1
14	1071482	(006000–	) Cable, Battery, 2ga, 60l, Red	1
15	222290	(000000–	) Diode, Ele, Plug	1
16	762514	(000000–	) Fuse, 015a	14
17	53466	(000000–	) Clamp, Cable, Stl, 1.50d X 1.00w, 1h	4
18	10137	(000000–	) Battery, 12vdc, 0475cca, Ah, Wet	1
19	08709	(000000–	) Nut, Hex, Lock, M8 X 1.25, NI	2
20	08708	(000000–001278	) Nut, Hex, Lock, M6 X 1.0, NI	2
21	1027228	(000000–001278	) Seal, Radiator, Upper	1
22	06942	(000000–001278	) Screw, Hex, M6 X 1.0 X 16, 8.8	2
23	32490	(000000–001278	) Washer, Flat, 0.25 Std	2

**Fig. 43 – Wheel Group, Front Drive**

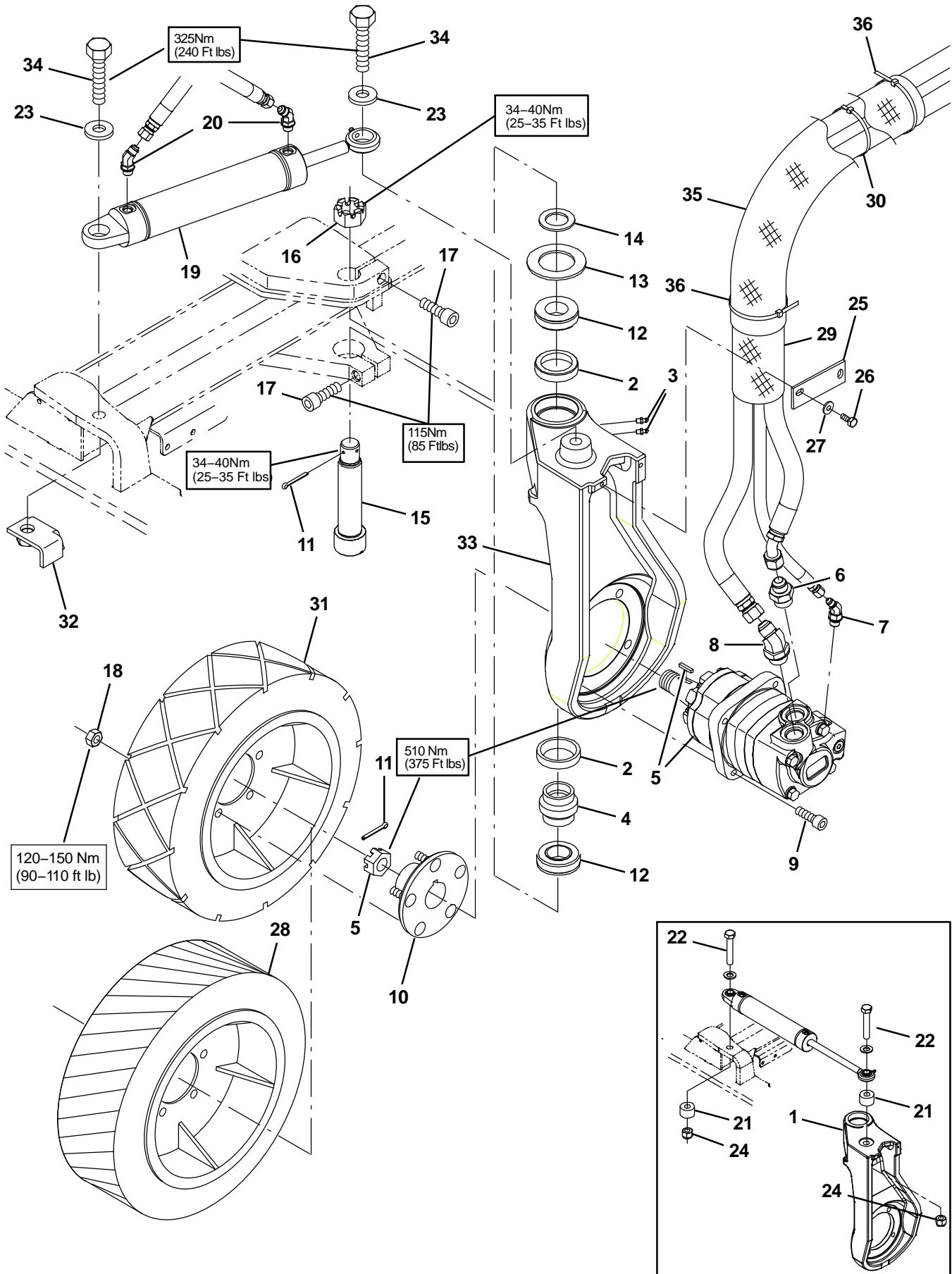


Fig. 43 – Wheel Group, Front Drive

Ref.	Part No.	Serial Number	Description	Qty.	
1	9008248	(000000–003675 )	Housing Kit, Drive, Front, Replmt	1	
2	51338	(000000– )	Bearing, Cup, 2.56d 0.55w	2	
3	47801	(000000– )	Fitting, Grease, Str Pm04 .63l	2	
4	374560	(000000– )	Seal, Drive, Rear, Grease Cav	1	
5	379609	(000000– )	Motor, Hyd, Gear, Int 19.0 Bi–Dir 3000 (See Breakdowns)	1	
6	42223	(000000– )	Fitting, Hyd, Str, Jm10/Om12	1	
7	393215	(000000– )	Fitting, Hyd, E45, Jm04/Om06	1	
8	1024249	(000000– )	Fitting, Hyd, E45, Jm10/Om12	1	
9	19583	(000000– )	Screw, Soc, .50–13 X 1.50, Al	4	
▽	10	54087	(000000– )	Hub Assy, Wheel, 5 Bolt 4.50bc Taper B	1
▲		32126	(000000– )	Stud, Wheel, .50–20 X 1.50l, 0.370th	5
	11	08180	(000000– )	Pin, Cotter, .125 X 2.00	2
	12	51339	(000000– )	Bearing, Cone, 1.38b 0.71w	2
	13	374563	(000000– )	Washer, Flat, 2.16b 3.50d .16, Felt	1
	14	54051	(000000– )	Washer, Flat, 1.39b 2.12d .13, Stl	1
	15	73281	(000000– )	Bolt, Shld, 1.37d X 5.13l, 1.1–18 Drilled	1
	16	54052	(000000– )	Nut, Hex, Slted, 1.12–18	1
	17	72926	(000000– )	Screw, Soc, M16 X 2.0 X 50, 12.9	2
	18	24339	(000000– )	Nut, Wheel, .50–20 X 60 Angle	5
	19	1017903	(000000– )	Cylinder, Hyd, 2.0b, 15.2l, 09.00strk, 3000	1
	20	47522	(000000– )	Fitting, Hyd, E45, Jm06/Om06	2
	21	71340	(000000–003675 )	Tube, Rnd, 1.75d 0.77b 01.1l, Stl, Pntd	2
	22	71341	(000000–003675 )	Screw, Hex, .75–10 X 4.00, 5	2
	23	39350	(000000– )	Washer, Flat, 0.75 Sae	2
	24	32987	(000000–003675 )	Nut, Hex, Lock, .75–10, NI	2
	25	58842	(000000– )	Bar, Flat, Stl 0.19, 01.50 X 04.1l	1
	26	16931	(000000– )	Screw, Hex, M8 X 1.25 X 20, 8.8	2
	27	32491	(000000– )	Washer, Flat, 0.31, Std	2
	28	1061973	(000000– )	Tire, Drive, Scrbr, Pu, Grey, 18.0X6.0 (Optional Polyurethane)	1
	29	57315	(000000– )	Sleeve, Nyl, #37 05.0l	2
	30	49266	(000000– )	Tie, Cable, Nyl, 07.3l .19w 1.8 Max D	2
	31	1059343	(000000– )	Tire, Drive, Scrbr, Non–Skid, 18.0X6.0	1
	32	1060521	(003676– )	Bracket, Mtg, Sppt	1
	33	1071061	(003676– )	Housing, Sppt, Front Wheel	1
	34	77345	(003676– )	Screw, Hex, .75–10 X 3.25, G5	1
	35	82832	(006000– )	Sleeve, Nyl, 2.38id 25.0l	1
	36	49266	(006000– )	Tie, Cable, Nyl, 07.3l .19w 1.8 Max D	2

Fig. 44 – Wheel Group, Rear

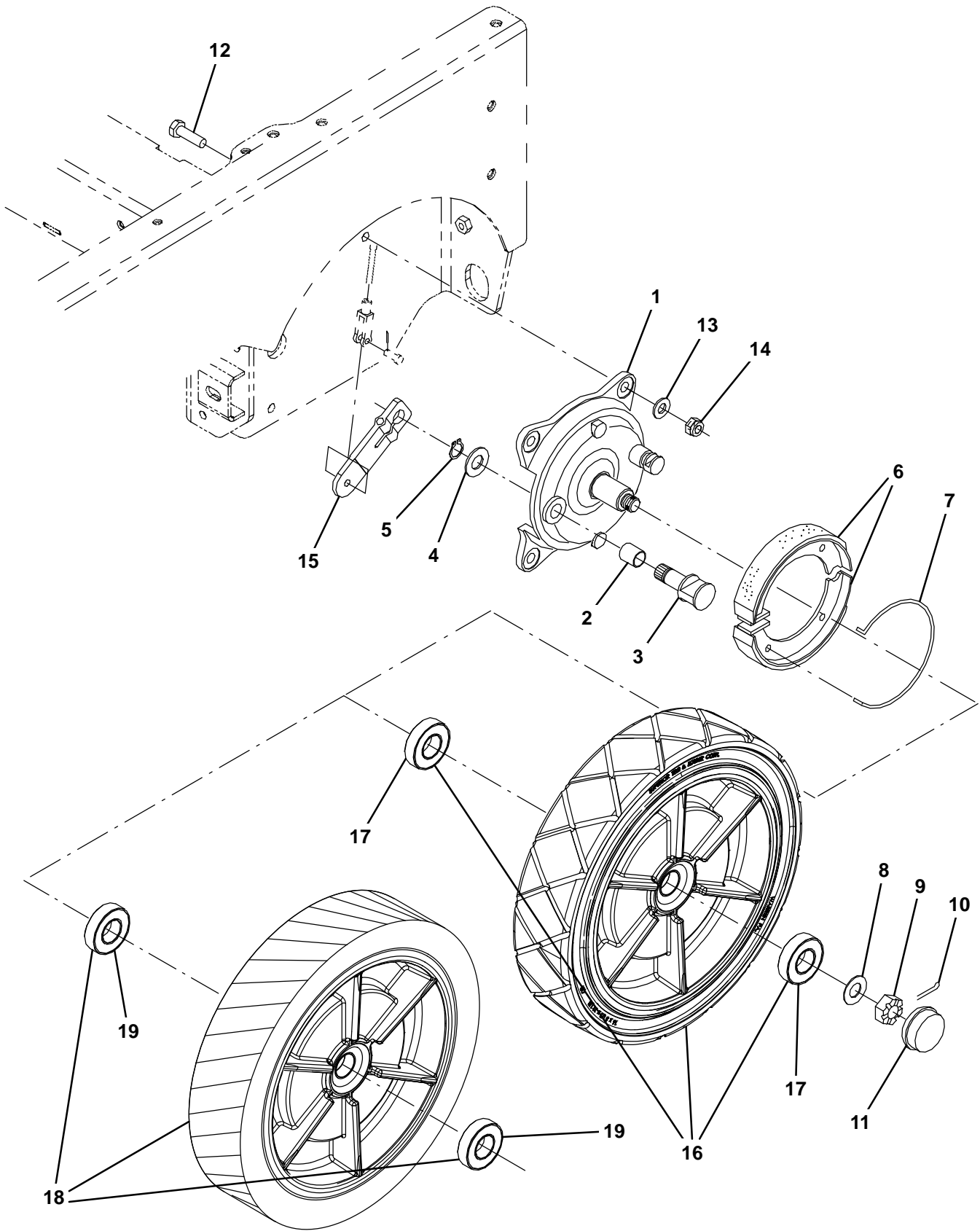


Fig. 44 – Wheel Group, Rear

	Ref.	Part No.	Serial Number	Description	Qty.
▽		360023	(000000–	) Brake Assy, Drum, Mech, 07.0d 1.2w	2
▲	1	360270	(000000–	) Plate, Backing, Brake	1
▲	2	360271	(000000–	) Bushing, Sleeve, 0.78b 0.86d 0.93l, Bnz	1
▲	3	360272	(000000–	) Cam, Plt, Brake [Nickel]	1
▲	4	360273	(000000–	) Washer, Flat, M21.0b X 37d X 3	1
▲	5	360274	(000000–	) Retainer, Ring, Brake	1
▲	6	360275	(000000–	) Shoe, Brake, 180 X 30mm	2
▲	7	360276	(000000–	) Spring, Wir, 0.25d, Return, Brake	1
	8	49145	(000000–	) Washer, Flat, 0.76b 1.50d .06, Ss	2
	9	86659	(000000–	) Nut, Hex, Sltd, .75–16	2
	10	08171	(000000–	) Pin, Cotter, .156 X 2.00	2
	11	54390	(000000–	) Cap, Hub, Dust 2.57d 0.77l	2
	12	06969	(000000–	) Screw, Hex, M12 X 1.75 X 40, 8.8	8
	13	32486	(000000–	) Washer, Flat, 0.50 Sae	8
	14	08711	(000000–	) Nut, Hex, Lock, M12 X 1.75,NI	8
	15	360802	(000000–	) Arm, Lever, Brake, 4.1 [Knott]	2
▽	16	1059671	(000000–	) Tire, Idler, Scrbr, Blk, 16.0X3.5	2
▲	17	360074	(000000–	) Bearing, Ball, 1.18b 2.44d 0.63w	2
▽	16	1059347	(000000–	) Tire, Idler, Scrbr, Non–Skid, 16.0x3.5 (Optional)	2
▲	17	360074	(000000–	) Bearing, Ball, 1.18b 2.44d 0.63w	2
▽	18	1061974	(000000–	) Tire, Idler, Scrbr, Pu, Grey, 16.0X3.5 (Optional Polyurethane)	2
▲	19	360074	(000000–	) Bearing, Ball, 1.18b 2.44d 0.63w	2

**Fig. 45 – Brake Pedal Linkage Group**

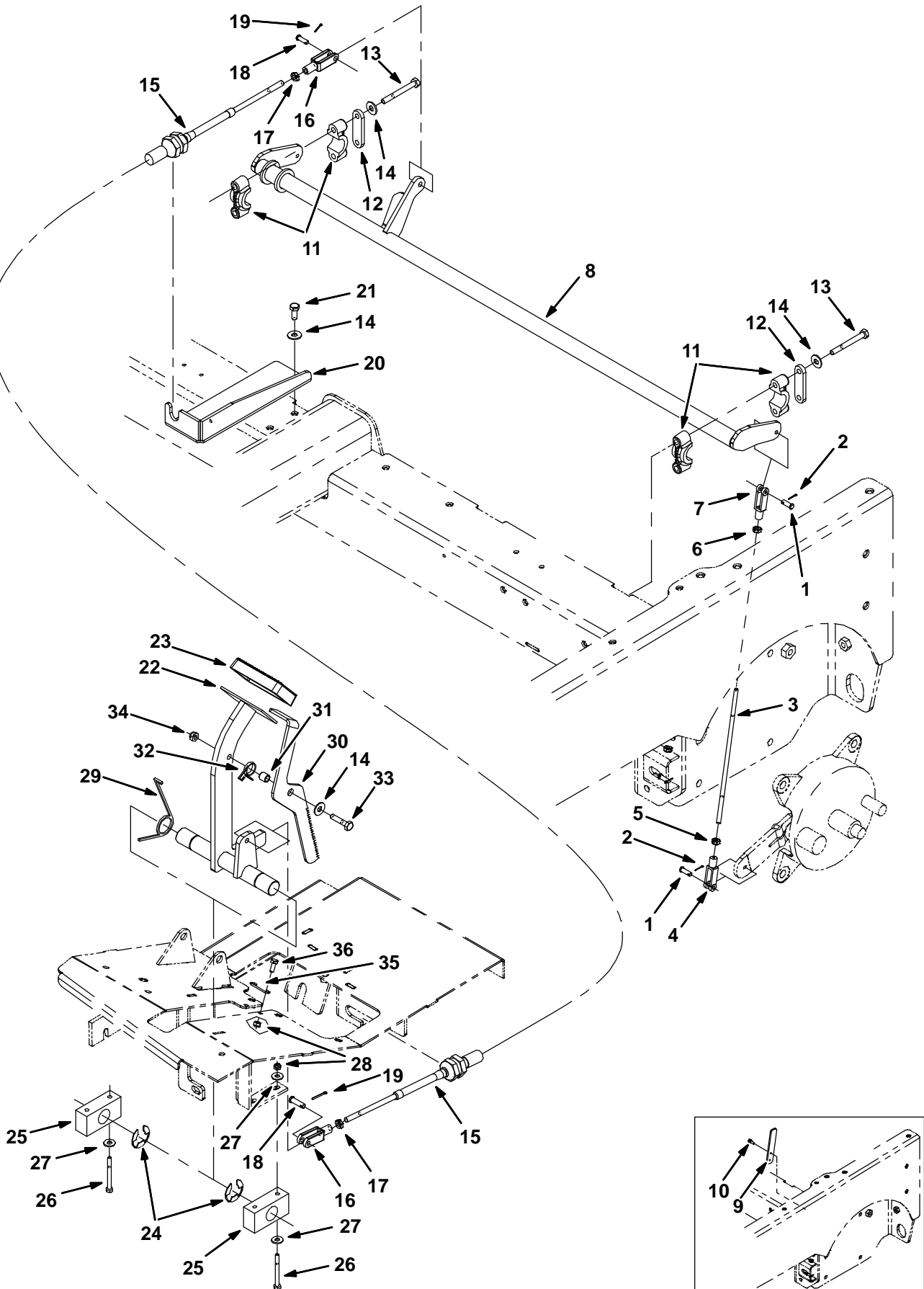


Fig. 45 – Brake Pedal Linkage Group

Ref.	Part No.	Serial Number	Description	Qty.
1	14605	(000000– )	Pin, Clevis, 0.25d X 0.75l	4
2	08170	(000000– )	Pin, Cotter, .062 X 0.50	4
3	364347	(000000– )	Rod	2
4	14595–1	(000000– )	Clevis, Adj, 0.25 Pin, 0.25–28 Rh, Pl	2
5	364948	(000000– )	Nut, Hex, Std, .25–28, Lh	2
6	01714	(000000– )	Nut, Hex, Std, .25–28	2
7	364864	(000000– )	Clevis, Adj, 0.25pin, 0.25–28left Pl	2
8	1022031	(000000– )	Shaft Wldt, Brake	1
9	1026025	(000000–xxxxxx )	Plate, Stop, Brake	2
10	361339	(000000–xxxxxx )	Screw, Hex, M6 X 1.0 X 16, Fmg	4
11	381502	(000000– )	Bearing, Split, 1.00b	4
12	382224	(000000– )	Plate, Sppt	2
13	39279	(000000– )	Screw, Hex, M8 X 1.25 X 70, 8.8	4
14	32491	(000000– )	Washer, Flat, 0.31, Std	7
15	1025495	(000000– )	Cable, Push / Pull, 063.0l 4.0, .31–24	1
16	58311	(000000– )	Clevis, Adj, 0.31pin, 0.31–24	2
17	20170	(000000– )	Nut, Hex, Jam, .31–24	2
18	69582	(000000– )	Pin, Clevis, 0.31d X 1.00l	2
19	08179	(000000– )	Pin, Cotter, .094 X 1.00	2
20	1022736	(000000– )	Bracket, Mtg, Cable	1
21	16931	(000000– )	Screw, Hex, M8 X 1.25 X 20, 8.8	2
22	1022243	(000000– )	Shaft Wldt, Pedal, Brake	1
23	51109	(000000– )	Pad, Pedal, Brake, 3.96l 2.36w 0.75	1
24	23788	(000000– )	Ring, Retaining, Ext, 0.98d, [E–Ring]	2
25	86751	(000000– )	Bearing, Pillowblock, 1.02b [Solid Pye]	2
26	06548	(000000– )	Screw, Hex, M6 X 1.0 X 60, 8.8	4
27	32490	(000000– )	Washer, Flat, 0.25 Std	8
28	08708	(000000– )	Nut, Hex, Lock, M6 X 1.0, NI	6
29	54607	(000000– )	Spring, Tors, 1.13id .12wir 02.3coil Rh	2
30	1025487	(000000– )	Pedal, Brake, Lock	1
31	46563	(000000– )	Bushing, Sleeve, 0.37b 0.50d 0.50l, Oib	1
32	59009	(000000– )	Spring, Tors, 0.75id .06wir 02.8coil	1
33	06955	(000000– )	Screw, Hex, M8 X 1.25 X 35, 8.8	1
34	08709	(000000– )	Nut, Hex, Lock, M8 X 1.25, NI	1
35	71367	(000000– )	Spring, Wir, 0.08d, Brake, Parking	1
36	06942	(000000– )	Screw, Hex, M6 X 1.0 X 16, 8.8	2

Fig. 46 – Directional Pedal Group

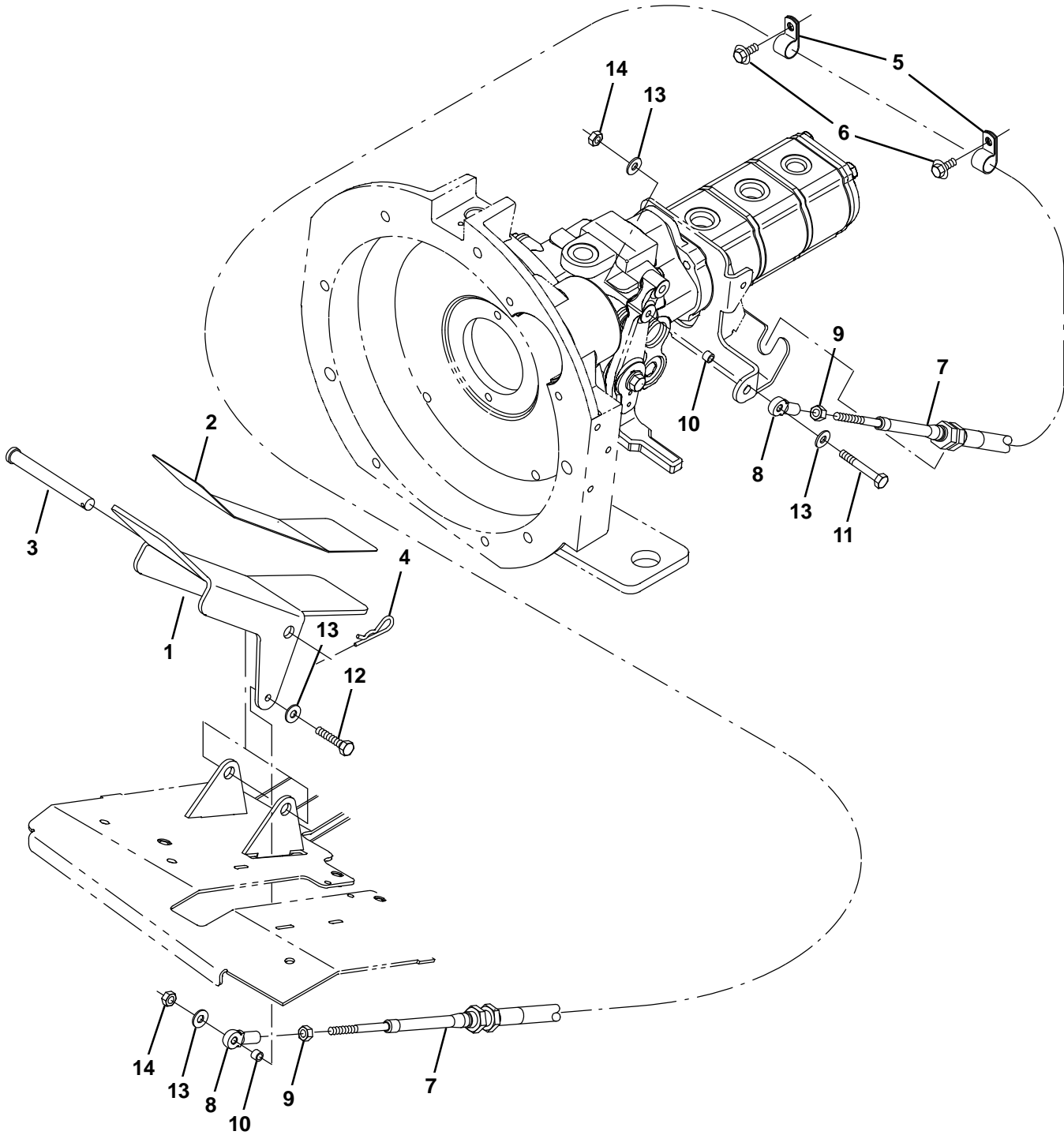


Fig. 46 – Directional Pedal Group

Ref.	Part No.	Serial Number	Description	Qty.
1	1025140	(000000–	) Pedal, Propel	1
2	58819	(000000–	) Tread, Non–Skid, 03.0w 11.6l	1
3	59668	(000000–	) Pin, Clevis, 0.50 D X 4.50l	1
4	08182	(000000–	) Pin, Cotter, .125 X 1.00	1
5	67767	(000000–	) Clamp, Cable, Stl, 0.69d X 0.62w, 1h	2
6	361339	(000000–	) Screw, Hex, M6 X 1.0 X 16, Fmg	2
7	1022345	(000000–	) Cable, Push / Pull, 098.0l .25–28/.25–28	1
8	68866	(000000–	) Rod–End, .25–28rh Fem 0.25b [Teflon]	2
9	01714	(000000–	) Nut, Hex, Std, .25–28	2
10	65441	(000000–	) Tube, 00.38d 00.26b 00.3l Stl Plt	2
11	41399	(000000–	) Screw, Hex, .25–20 X 2.25, Ss	1
12	42180	(000000–	) Screw, Hex, .25–20 X 1.75, Ss	1
13	32490	(000000–	) Washer, Flat, 0.25 Std	4
14	41169	(000000–	) Nut, Hex, Lock, .25–20, NI, Ss	2

**Fig. 47 – Hydraulic Pump Linkage Group**

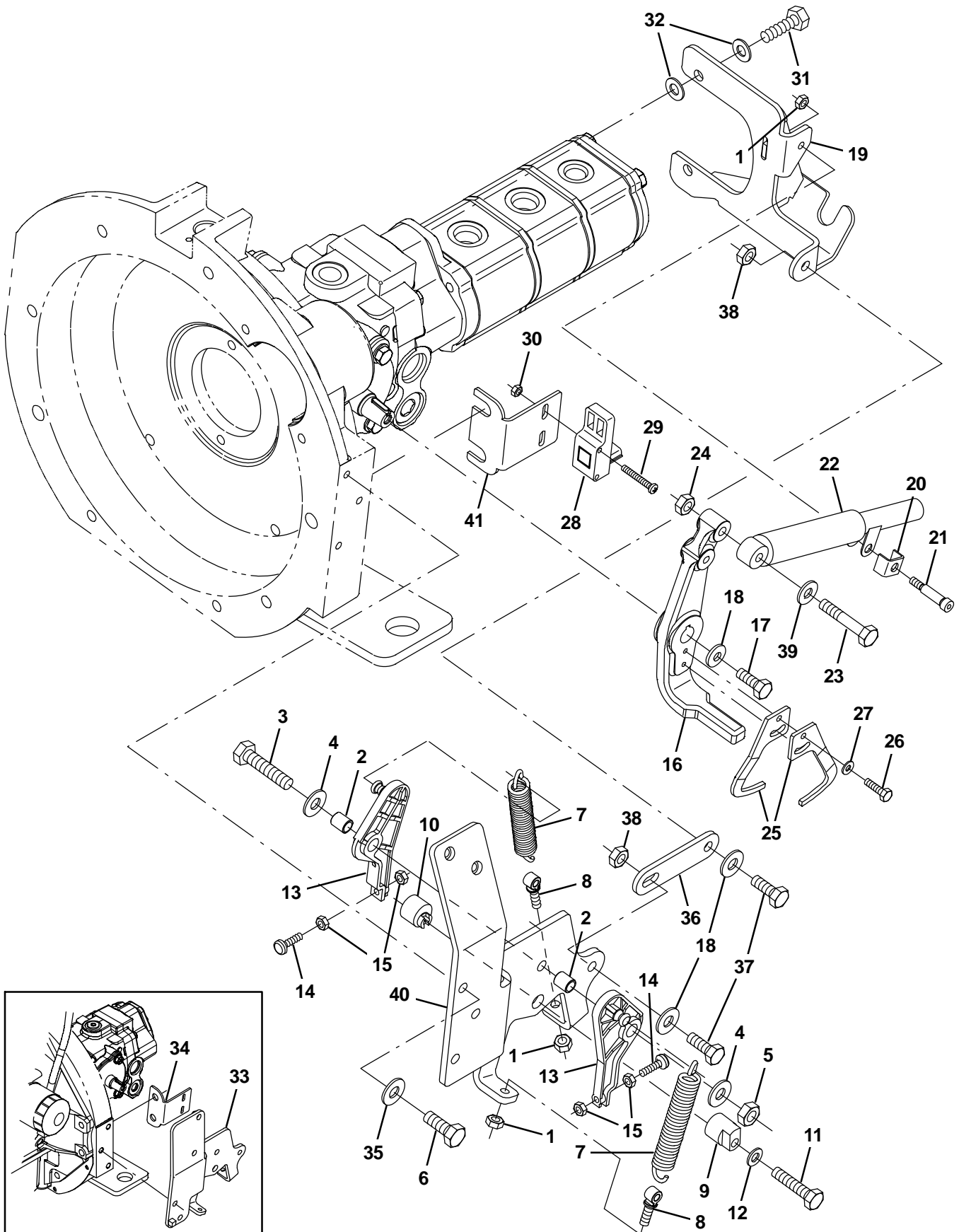


Fig. 47 – Hydraulic Pump Linkage Group

Ref.	Part No.	Serial Number	Description	Qty.
1	41169	(000000– )	Nut, Hex, Lock, .25–20, NI, Ss	3
2	63234	(000000– )	Tube, 00.50d 00.38b 00.6l Stl	2
3	42467	(000000– )	Screw, Hex, .38–16 X 2.00, Ss	1
4	32492	(000000– )	Washer, Flat, 0.38 Std	2
5	36643	(000000– )	Nut, Hex, Lock, .38–16, NI, Thin	1
6	21197	(000000– )	Screw, Hex, .38–16 X 1.00, 5	2
7	11842	(000000– )	Spring, Extn, 0.75od X 0.12wir, 4.3l	2
8	48079	(000000– )	Bolt, Eye, .25–20 X 1.40 X .25 Eye	1
9	53947	(000000– )	Cam, Centering, Pintle	1
10	54655	(000000– )	Cam, Centering, Pintle	1
11	74440	(000000– )	Screw, Hex, M8 X 1.25 X 40, Ss, NI	1
12	39349	(000000– )	Washer, Flat, 0.31 Sae	1
13	53953	(000000– )	Arm, Cntrl, Pintle, Centering	2
14	54205	(000000– )	Bumper, Rbr, 0.5d 0.16t M5 X 08	2
15	50335	(000000– )	Nut, Hex, Std, M5 X 0.8, 8	4
16	1027233	(000000– )	Arm, Pintle	1
17	83879	(000000– )	Screw, Hex, .31–24 X 0.75, NI	1
18	41186	(000000– )	Washer, Belleville, .31	3
19	1027313	(000000– )	Bracket Wldt, Propel, Pintle	1
20	84170	(000000– )	Bracket, Retainer, Safety	1
21	16213	(000000– )	Bolt, Shld, .31d X 1.00, .25–20	1
22	73411	(000000– )	Shock Absorber, 2.3 Strk	1
23	39278	(000000– )	Screw, Hex, M8 X 1.25 X 50, 8.8	1
24	08709	(000000– )	Nut, Hex, Lock, M8 X 1.25, NI	1
25	1022787	(000000– )	Arm [Positioning]	2
26	09252	(000000– )	Screw, Hex, M5 X 0.8 X 20, 8.8	2
27	01683	(000000– )	Washer, Flat, #10 Ss	2
28	1022779	(000000– )	Sensor, Spd / Dir, 6–30vdc	1
29	09198	(000000– )	Screw, Pan, M4 X 0.7 X 35, Ss	2
30	33932	(000000– )	Nut, Hex, Lock, M4 X 0.7, NI, Ss	2
31	46559	(000000– )	Screw, Hex, .38–16 X 1.25, NI	2
32	32485	(000000– )	Washer, Flat, 0.38 Sae	4
33	1022140	(000000–005999 )	Bracket, Propel, Gas/Lpg	1
34	1022798	(000000–005999 )	Bracket, Mtg, Cyl	1
35	41187	(000000– )	Washer, Flat, Belleville, .38	2
36	1032399	(000000– )	Strap, Sppt	1
37	09010	(000000– )	Screw, Hex, M8 X 1.25 X 25, Ss	2
38	08713	(000000– )	Nut, Hex, Lock, M8 X 1.25, NI, Ss	2
39	32490	(000000– )	Washer, Flat, 0.25 Std	1
40	1070798	(006000– )	Bracket, Propel, G/Lpg [Mit 2013]	1
41	1070819	(006000– )	Angle, Mtg	1

Fig. 48 – Hopper Lift Arms Group

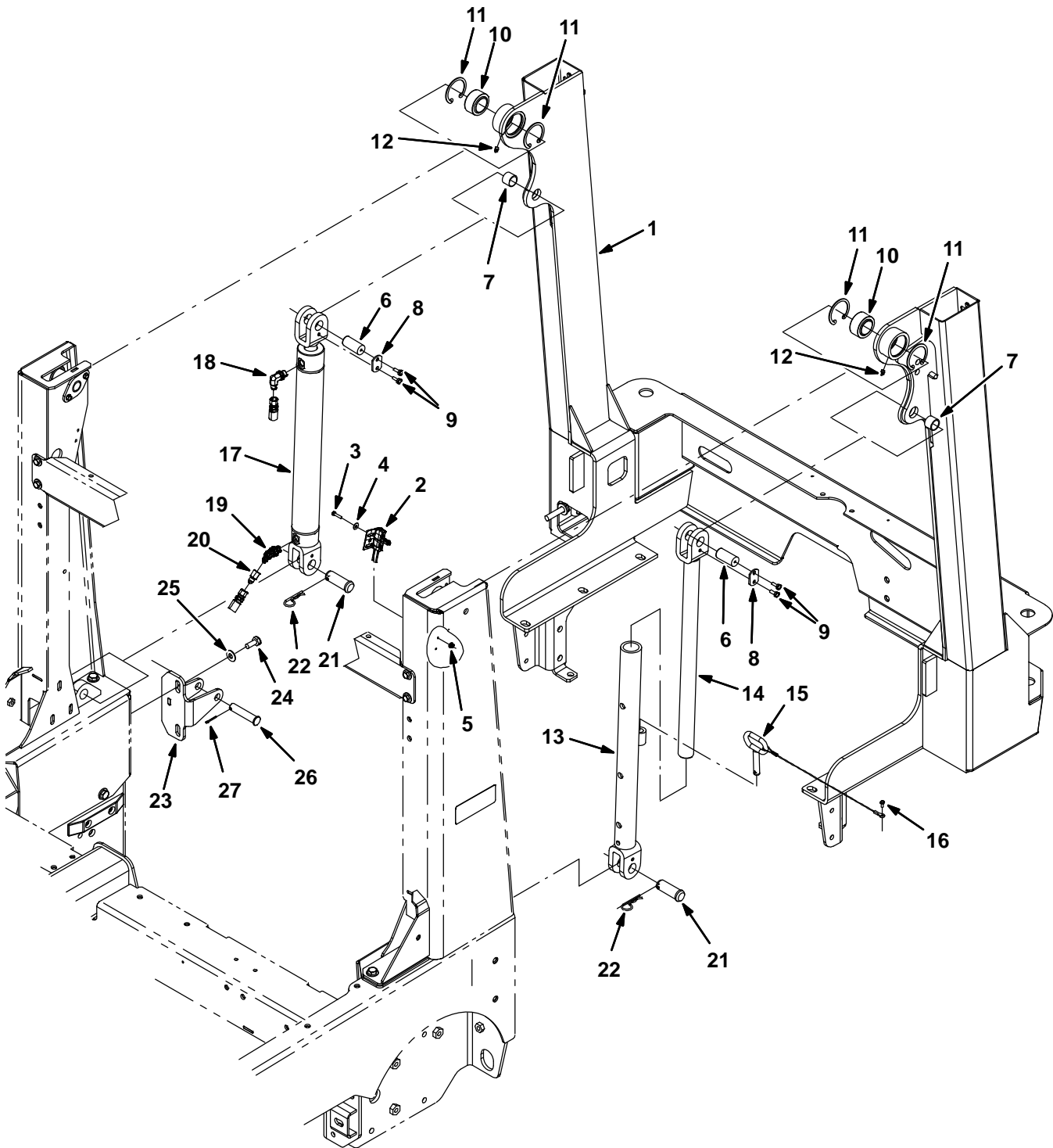


Fig. 48 – Hopper Lift Arms Group

Ref.	Part No.	Serial Number	Description	Qty.
1	1018241	(000000-004292 )	Frame Wldt, Lift, Hppr	1
1	1069933	(004293-	) Frame Wldt, Lift, Hppr	1
2	23211	(000000-	) Switch, Snap, 15a No, Rlr	1
3	09252	(000000-	) Screw, Hex, M5 X 0.8 X 20, 8.8	2
4	19066	(000000-	) Washer, Flat, #10	2
5	07789	(000000-	) Nut, Hex, Flng, M5 X 0.8	2
6	1018226	(000000-	) Pin, 0.87d 01.8l, 1/M6 X 1.0, 1cham,Stl	2
7	364587	(000000-	) Bushing, Sleeve, 0.88b 1.00d 0.75l, Bnz	2
8	72897	(000000-	) Plate, Pin, Clevis, Upper	2
9	1040467	(000000-	) Screw, Hex, M6 X 1.0 X 20, 9.8, Sems	4
10	42120-1	(000000-	) Bearing, Self Align, 1.25b 2.00d	2
11	59542	(000000-	) Ring, Retaining, Int, 2.00d	4
12	07259	(000000-	) Fitting, Grease, Str Pm04 .47l	2
13	1018260	(000000-	) Tube Wldt, Arm, Safety	1
14	1018262	(000000-	) Rod Wldt, Arm, Safety	1
15	1018266	(000000-	) Pin, Arm, Safety	1
16	16944	(000000-	) Screw, Hex, M4 X 0.7 X 10, Fmg	1
17	1029646	(000000-	) Cylinder, Hyd, 2.0B 24.1L 15.00Strk 3000	1
18	47638	(000000-	) Fitting, Hyd, E90, Jm04/Om06	1
19	393215	(000000-	) Fitting, Hyd, E45, Jm04/Om06	1
20	1025904	(000000-	) Fitting, Hyd, Rst, Jf04/Jm04, .028	1
21	1018227	(000000-	) Pin, Clevis, 0.88d X 2.25l	2
22	02942	(000000-	) Pin, Cotter, Hair, 0.62d .120 Wir	2
23	1018275	(000000-	) Plate Wldt, Arm, Stop	1
24	09028	(000000-	) Screw, Hex, M10 X 1.5 X 25, Ss	2
25	01686	(000000-	) Washer, Flat, 0.44b 1.00d .08, Ss	2
26	1018276	(000000-	) Pin, Clevis, 0.62d X 2.91l	1
27	08179	(000000-	) Pin, Cotter, .094 X 1.00	1

Fig. 49 – Hopper and Debris Screen Group

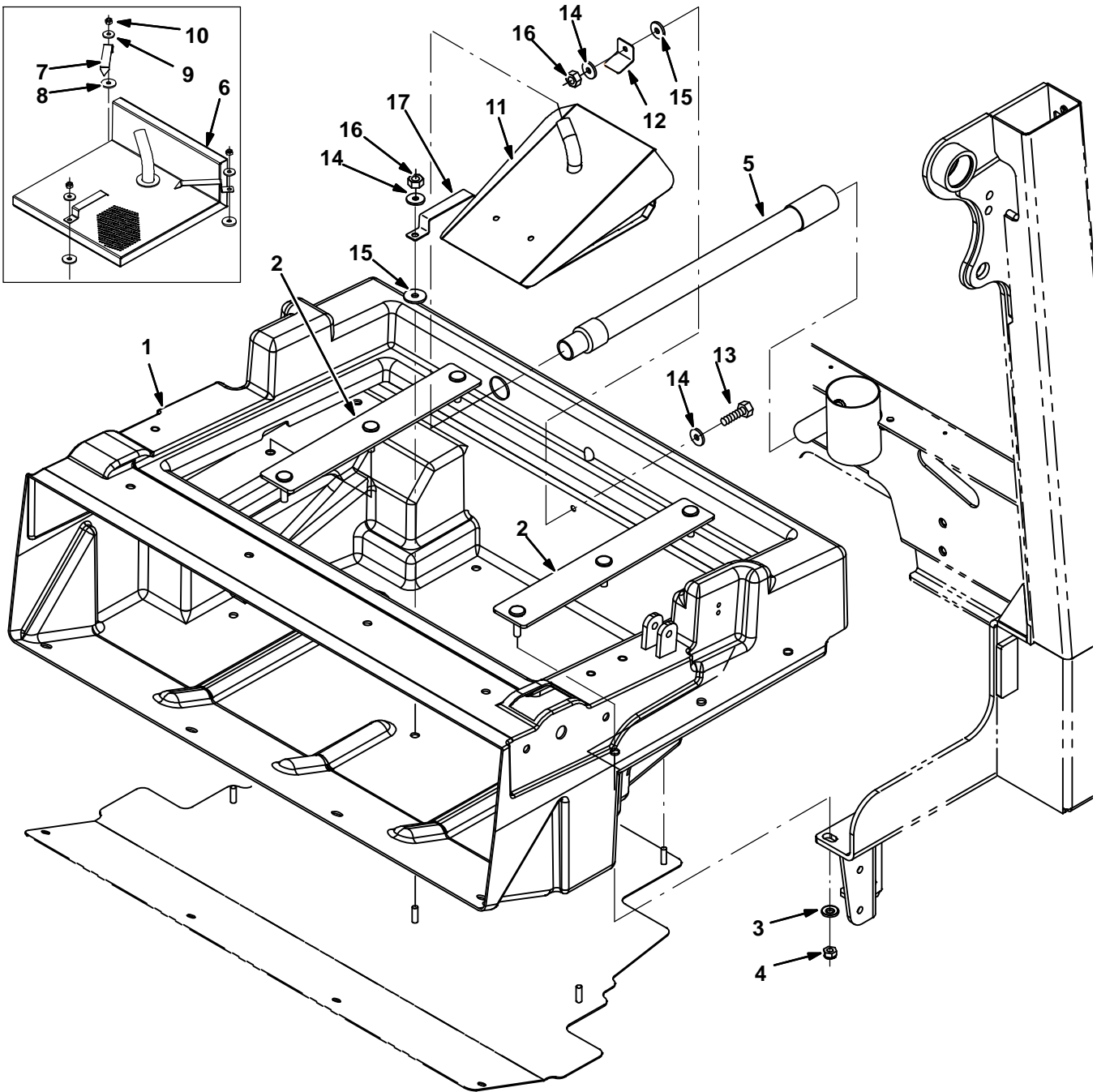


Fig. 49 – Hopper and Debris Screen Group

Ref.	Part No.	Serial Number	Description	Qty.
1	1018300	(000000–	) Hopper, Debris, Rm–Hg, Trimmed	1
2	1018272	(000000–	) Bar, Mtg, Hppr	2
3	763042	(000000–	) Washer, Flat, Belleville, M10	6
4	08714	(000000–	) Nut, Hex, Lock, M10 X 1.5, NI, Ss	6
5	1018239	(000000–	) Hose Assy, W/1cuff, 1.0d 09I 1.0/	1
6	1018235	(000000–002280	) Filter Wldt, Hppr (Replaced By 9003774)	1
7	1018258	(000000–002280	) Spring, Flat, Retainer, Screen	3
8	222268	(000000–002280	) Washer, Flat, 0.38b 1.25d .12, Neo	3
9	1017218	(000000–002280	) Washer, Flat, 0.32b 1.00d .12, Ss	3
10	08713	(000000–002280	) Nut, Hex, Lock, M8 X 1.25, NI, Ss	3
11	1039163	(002281–	) Screen Wldt, Hppr	1
12	1039215	(002281–	) Angle, Retainer	1
13	09010	(002281–	) Screw, Hex, M8 X 1.25 X 25, Ss	1
14	1017218	(002281–	) Washer, Flat, 0.32b 1.00d .12, Ss	3
15	222268	(002281–	) Washer, Flat, 0.38b 1.25d .12, Neo	2
16	08713	(002281–	) Nut, Hex, Lock, M8 X 1.25, NI, Ss	2
17	1044323	(002281–	) Spring, Flat, Retainer, Angled Screen	1

**Fig. 50 – Hopper Cover and Dust Filter Group**

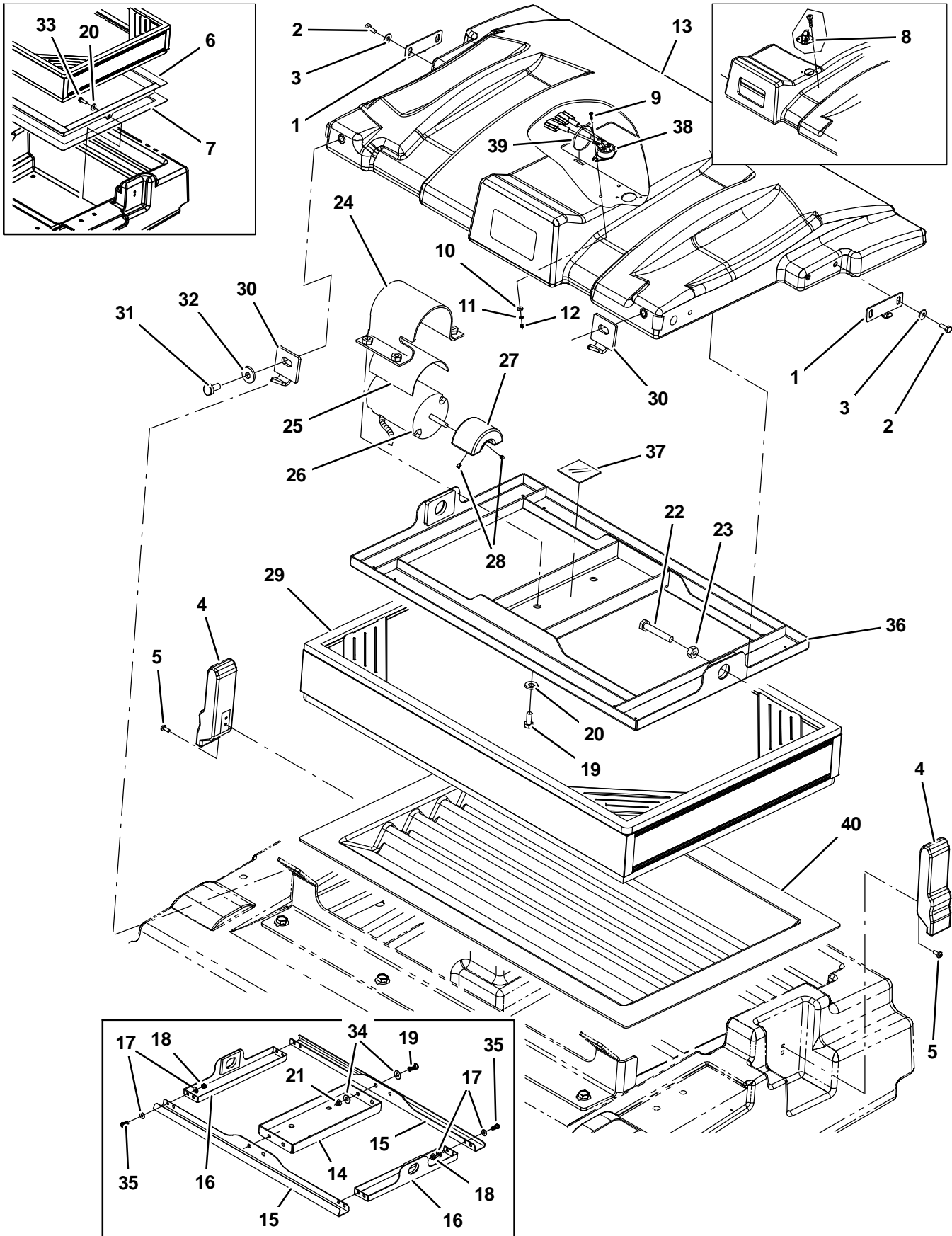


Fig. 50 – Hopper Cover and Dust Filter Group

Ref.	Part No.	Serial Number	Description	Qty.
1	1041984	(000000– )	Bracket, Cover, Hppr	2
2	15678	(000000– )	Screw, Hex, M6 X 1.0 X 16, Ss	4
3	01684	(000000– )	Washer, Flat, 0.25, Ss	4
4	360824	(000000– )	Latch	2
5	09200	(000000– )	Screw, Pan, M5 X 0.8 X 12, Ss	4
6	1033591	(000000–002048 )	Tray Wldt, Perma–filter (Replaced By none)	1
7	1015220	(000000–002048 )	Seal, Afmkt, Ure, Adh, 0.38, 0.75w 08ft (Replaced By none)	1
8	367679	(000000–002040 )	Switch, Thermal, 160Deg, Spdt (Replaced by 9003444)	1
9	06922	(000000– )	Screw, Pan, M3 X 0.5 X 20, 4.8	2
10	19064	(000000– )	Washer, Flat, #06	2
11	32975	(000000– )	Washer, Lock, Int, #06	2
12	01754	(000000– )	Nut, Hex, Std, M3 X 0.5, 8	2
13	1041006	(000000– )	Cover, Hppr	1
14	1018203	(000000–001356 )	Plate, Shagr	1
15	360952	(000000–001356 )	Plate, Shagr, Bar	2
16	1017944	(000000–001356 )	Plate Wldt, Shagr, Side	2
17	32483	(000000–001356 )	Washer, Flat, 0.25 Sae	16
18	08712	(000000–001356 )	Nut, Hex, Lock, M6 X 1.0, Ss, NI	8
19	09740	(000000– )	Screw, Hex, M8 X 1.25 X 20, Ss	8
20	01685	(000000– )	Washer, Flat, 0.31, Ss	6
21	08713	(000000– )	Nut, Hex, Lock, M8 X 1.25, NI, Ss	4
22	06957	(000000–002040 )	Screw, Hex, M8 X 1.25 X 60, 8.8	2
22	06963	(002041– )	Screw, Hex, M10 X 1.50 X 60, 8.8	2
23	39311	(000000–002040 )	Nut, Hex, Std, M8 X 1.25	2
23	39312	(002041– )	Nut, Hex, Std, M10 X 1.50	2
24	1037671	(000000– )	Strap, Mtg, Motor, .124.00W	1
25	36658	(000000– )	Strip, Rbr, 0.06 04.00w 05.0l Neo/60	1
26	1041920	(000000–003408 )	Motor, Ele [12vdc, Shaker]	1
26	1059542	(003409– )	Motor, Ele 12Vdc, Shagr	1
27	1049242	(000000–003408 )	Weight, Eccentric	1
27	1053320	(003409– )	Weight, Eccentric	1
28	20634	(000000– )	Screw, Set, #10–24 X 0.25, NI	2
29	1048295AM	(000000– )	Filter, Panl, Syn, 4.2 X 20.0 X 30.0	1
30	1018207	(000000– )	Bar, Mtg, Hppr Cover	2
31	09291	(000000– )	Screw, Hex, M10 X 1.5 X 20, Ss	2
32	1014563	(000000– )	Washer, Flat, 0.40b 1.12d .12, Ss	2
33	39277	(000000– )	Screw, Hex, M8 X 1.25 X 25, 8.8	2
34	01685	(000000–001356 )	Washer, Flat, 0.31, Ss	8
35	15678	(000000–001356 )	Screw, Hex, M6 X 1.0 X 16, Ss	8
36	1037235	(001357– )	Shaker Wldt	1
37	36661	(001357– )	Strip, Rbr, 0.06 01.00W 04.0L	1
38	1036611	(002041–003478 )	Switch, Temp [160F]	1
38	1056298	(003479– )	Switch, Temp, Sealed, Nc	1
39	763116	(002041– )	Tie, Cable, Nyl, 15.3L . W 4.5 Max D	1
40	1037947	(002140– )	Tray, Perma–Filter	1

**Fig. 51 – Hopper Bumper Group**

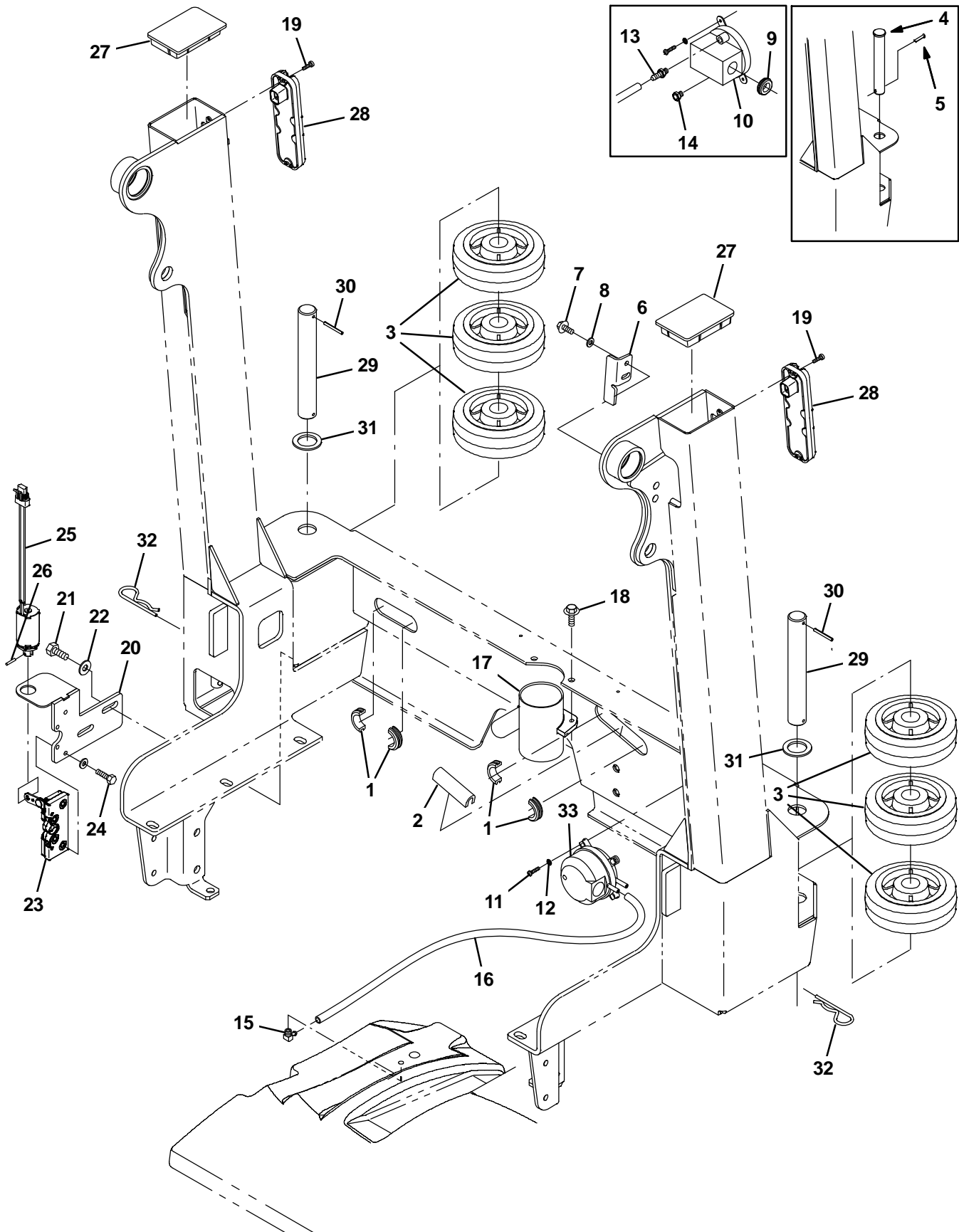


Fig. 51 – Hopper Bumper Group

Ref.	Part No.	Serial Number	Description	Qty.
1	10632-1	(000000-xxxxxx )	Grommet, Rbr, 1.06id, F/1.4h, .19 Matl	2
1	10632-13	( xxxxxx- )	Grommet, Rbr, 1.50id, F/1.8h, .19 Matl	2
2	50646	(000000- )	Molding, Trim, Pvc,.18-.31 07.5l	1
3	1021047	(000000- )	Wheel, 06.0d 2.00w 1.19b, Gray Rbr	6
4	9006334	(000000-003062 )	Pin Kit, Wheel, Ci [M20/T20/M30]	2
5	08171	(000000-003062 )	Pin, Cotter, .156 X 2.00	2
6	1018240	(000000- )	Bracket, Mtg, Switch	1
7	361339	(000000- )	Screw, Hex, M6 X 1.0 X 16, Fmg	2
8	32483	(000000- )	Washer, Flat, 0.25 Sae	2
9	10632-4	(000000-003259 )	Grommet, Rbr, 0.62id, F/0.9h, .06 Matl	1
10	39924	(000000-003259 )	Switch, Press, Spdt 0008psi	1
11	12323	(000000- )	Screw, Pan, M4 X 0.7 X 20, Ss	2
12	02938	(000000- )	Washer, Lock, Int, #08, Ss	2
13	40607	(000000-003259 )	Fitting, Brs, Str, Bm03/Pm02	1
14	82739	(000000-003259 )	Fitting, Brs, Breather [02mp]	1
15	32183	(000000- )	Fitting, Brs, E90, Pm02/Bm03	1
16	1031575	(000000- )	Hose, Afmkt, Vacuum, 0.16id, 03ft	1
17	1036240	(000000- )	Tube, Vacuum	1
18	1037346	(000000- )	Screw, Hex, M8 X 1.25 X 25, 9.8, Sems	2
19	06928	(000000- )	Screw, Pan, M4 X 0.7 X 20, 4.8	4
20	1018280	(000000- )	Plate Wldt, Mtg, Solenoid	1
21	09028	(000000-xxxxxx )	Screw, Hex, M10 X 1.5 X 25, Ss	2
21	12309	( xxxxxx- )	Screw, Hex, M12 X 1.75 X 30, Ss	2
22	32492	(000000-xxxxxx )	Washer, Flat, 0.38 Std	2
22	32486	( xxxxxx- )	Washer, Flat, 0.50, Sae	2
23	21623	(000000- )	Latch	1
24	06944	(000000- )	Screw, Hex, M6 X 1.0 X 25, 8.8	4
25	1018274	(000000- )	Solenoid, Pull, 12vdc, Damper	1
26	20021	(000000- )	Pin, Roll, .125 D X 0.75l, .125/.129	1
27	1018293	(000000- )	Cap, Arm, Lift	2
28	1018208	(000000- )	Light, Tail, 12vdc	2
29	1053838	(003063- )	Pin, 30mmd X 215mml	2
30	23146	(003063- )	Pin, Roll, .187d X 1.62l, .187/.192	2
31	1062566	(003063- )	Washer, Flat, 1.26B 1.88D .13, Stl, Pl	2
32	34411	(003063- )	Pin, Cotter, Hair, 1.00d .178 Wir	2
33	1052885	(003260- )	Switch, Press, Adj [4-16 In Wtr]	1

**Fig. 52 – Hopper Door Group (000000-003061)**

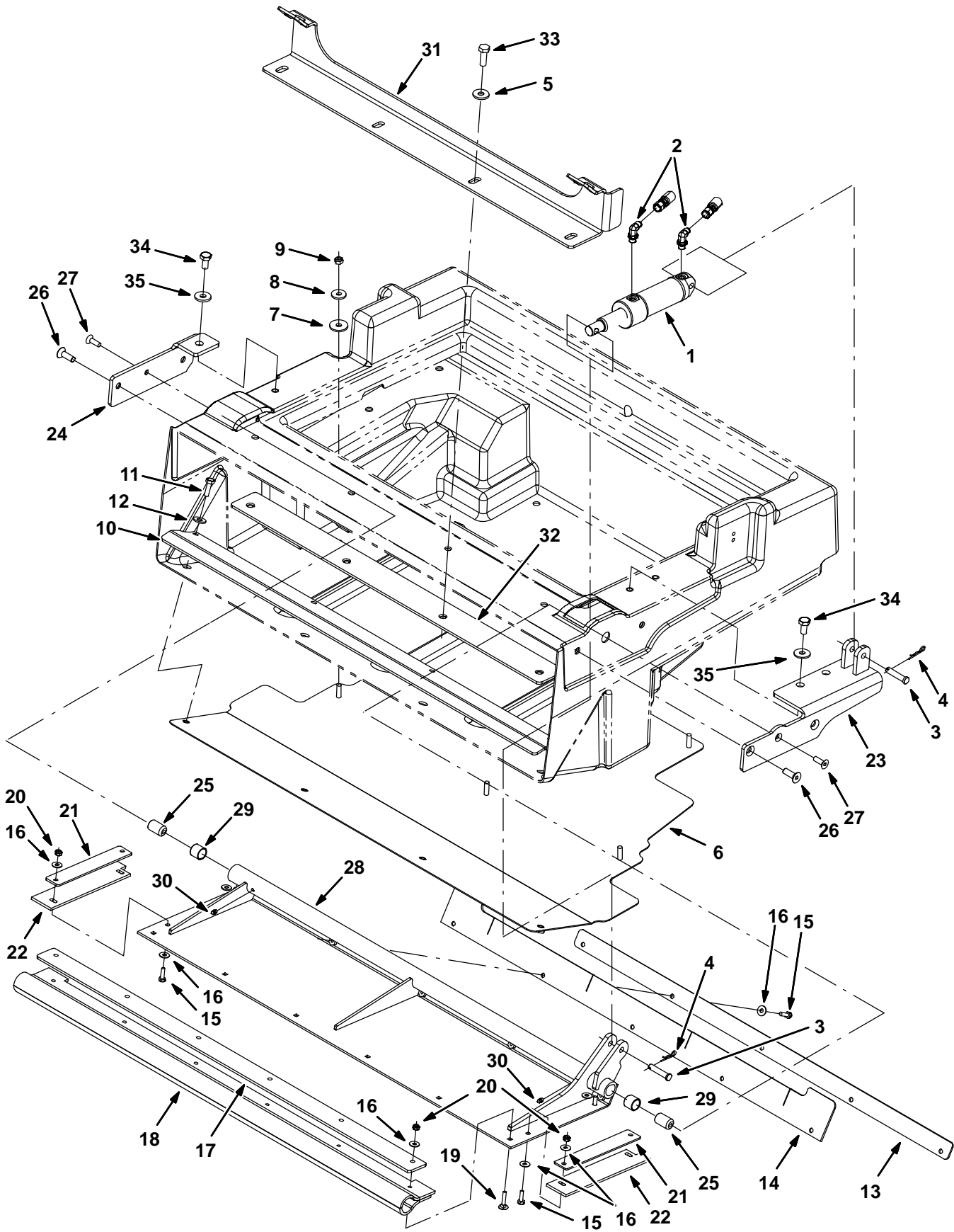


Fig. 52 – Hopper Door Group (000000–003061)

Ref.	Part No.	Serial Number	Description	Qty.
1	1021941	(000000–003061 )	Door Cyl, Hppr [Mako]	1
2	77097	(000000–003061 )	Fitting, Hyd, E90, Jm04/Om04	2
3	17461	(000000–003061 )	Pin, Clevis, 0.37d X 1.75l	2
4	08179	(000000–003061 )	Pin, Cotter, .094 X 1.00	2
5	1014563	(000000–003061 )	Washer, Flat, 0.40b 1.12d .12, Ss	4
6	1018237	(000000–003061 )	Plate, Bottom, Hppr	1
7	222268	(000000–003061 )	Washer, Flat, 0.38b 1.25d .12, Neo	2
8	1017218	(000000–003061 )	Washer, Flat, 0.32b 1.00d .12, Ss	2
9	08713	(000000–003061 )	Nut, Hex, Lock, M8 X 1.25, NI, Ss	2
10	1018236	(000000–003061 )	Bracket, Lip, Hppr	1
11	09010	(000000–003061 )	Screw, Hex, M8 X 1.25 X 25, Ss	4
12	01685	(000000–003061 )	Washer, Flat, 0.31, Ss	4
13	1018244	(000000–003061 )	Strap, Door, Dump	1
14	1018245	(000000–003061 )	Seal, Door, Dump	1
15	08716	(000000–003061 )	Screw, Hex, M6 X 1.0 X 20, Ss	9
16	01684	(000000–003061 )	Washer, Flat, 0.25, Ss	19
17	1018196	(000000–003061 )	Plate, Retainer, Door, Dump	1
18	1018197	(000000–003061 )	Seal, Door, Dump	1
19	379791	(000000–003061 )	Bolt, Carriage, M06 X 1.0 X 30	6
20	08712	(000000–003061 )	Nut, Hex, Lock, M6 X 1.0, Ss, NI	10
21	1018194	(000000–003061 )	Strap, Door, Dump, Side	2
22	1018199	(000000–003061 )	Seal, Door, Dump, Side	2
23	1018210	(000000–003061 )	Bracket Wldt, Pivot, Hppr Door, Lh	1
24	1018202	(000000–003061 )	Bracket, Pivot, Hppr Door, Rh	1
25	1018193	(000000–003061 )	Bushing, Pivot, Door	2
26	395825	(000000–003061 )	Screw, Flt, M10 X 1.5 X 30, Ss 18–8	4
27	07810	(000000–003061 )	Screw, Flt, M8 X 1.25 X 25, 10.9	2
28	1016463	(000000–003061 )	Door Wldt, Hppr	1
29	64379	(000000–003061 )	Bushing, Sleeve, 0.75b 0.88d 0.75l, Tef	2
30	07259	(000000–003061 )	Fitting, Grease, Str Pm04 .47l	2
31	1044993	(000000–003061 )	Bracket, Cover, Hopper	1
32	1018253	(000000–003061 )	Bracket, Cover	1
33	12317	(000000–003061 )	Screw, Hex, M10 X 1.5 X 30, Ss	4
34	09291	(000000–003061 )	Screw, Hex, M10 X 1.5 X 20, Ss	3
35	1014563	(000000–003061 )	Washer, Flat, 0.40b 1.12d .12, Ss	3

Fig. 53 – Hopper Door Group (003062- )

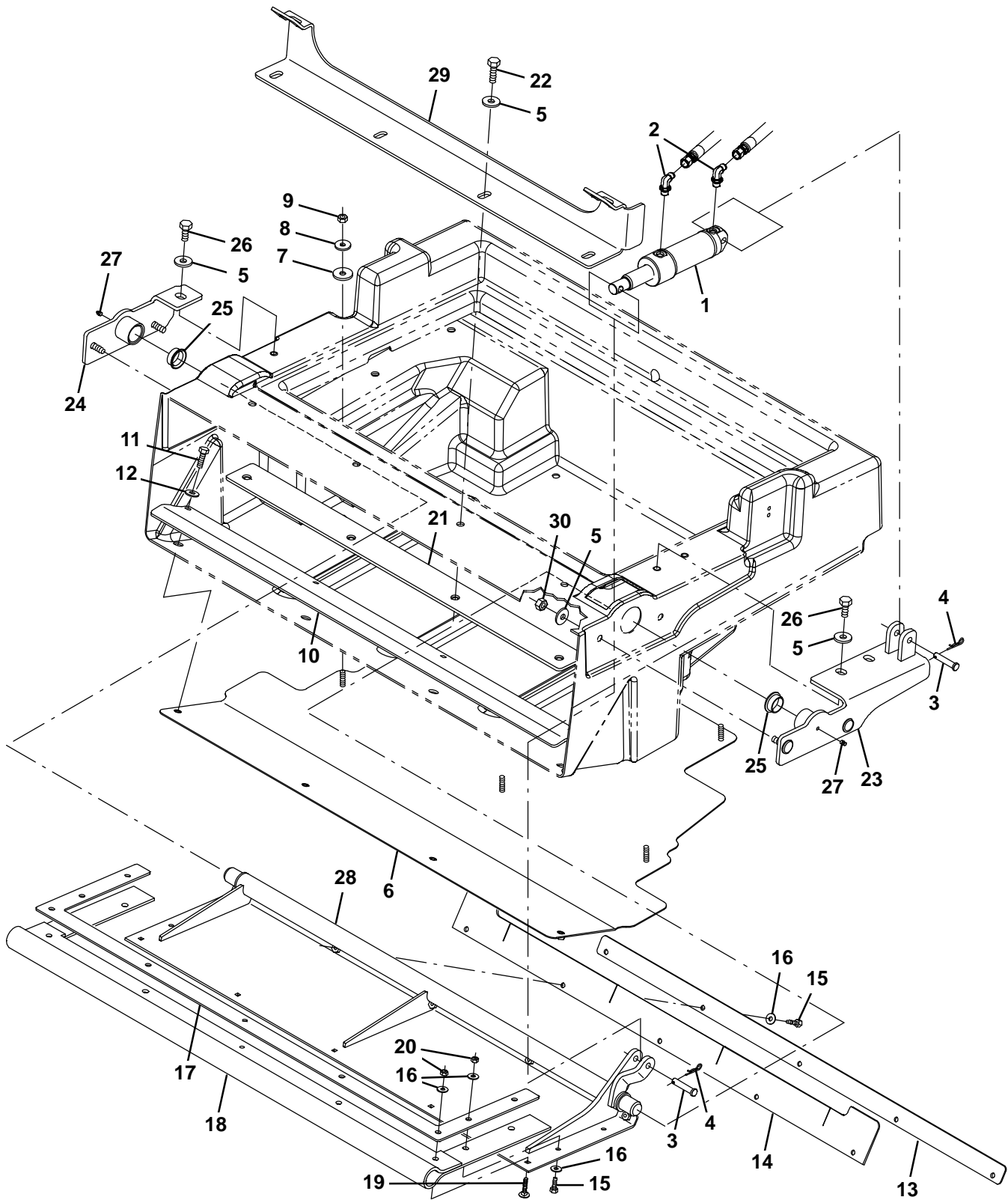


Fig. 53 – Hopper Door Group (003062– )

Ref.	Part No.	Serial Number	Description	Qty.
1	1021941	(003062– )	Door Cyl, Hppr [Mako]	1
2	77097	(003062– )	Fitting, Hyd, E90, Jm04/Om04	2
3	17461	(003062– )	Pin, Clevis, 0.37d X 1.75l	2
4	08179	(003062– )	Pin, Cotter, .094 X 1.00	2
5	1014563	(003062– )	Washer, Flat, 0.40b 1.12d .12, Ss	11
6	1018237	(003062– )	Plate, Bottom, Hppr	1
7	222268	(003062– )	Washer, Flat, 0.38b 1.25d .12, Neo	2
8	1017218	(003062– )	Washer, Flat, 0.32b 1.00d .12, Ss	2
9	08713	(003062– )	Nut, Hex, Lock, M8 X 1.25, NI, Ss	2
10	1018236	(003062– )	Bracket, Lip, Hppr	1
11	09010	(003062– )	Screw, Hex, M8 X 1.25 X 25, Ss	4
12	01685	(003062– )	Washer, Flat, 0.31, Ss	4
13	1039155	(003062– )	Strap, Door, Dump	1
14	1018245	(003062– )	Seal, Door, Dump	1
15	08716	(003062– )	Screw, Hex, M6 X 1.0 X 20, Ss	9
16	01684	(003062– )	Washer, Flat, 0.25, Ss	14
17	1039149	(003062– )	Plate, Retainer, Door, Dump	1
18	1039157	(003062– )	Seal, Door, Dump	1
19	379791	(003062– )	Bolt, Carriage, M06 X 1.0 X 30	5
20	08712	(003062– )	Nut, Hex, Lock, M6 X 1.0, Ss, NI	9
21	1018253	(003062– )	Bracket, Cover	1
22	12317	(003062– )	Screw, Hex, M10 X 1.5 X 30, Ss	4
23	1038123	(003062– )	Bracket Wldt, Pivot, Hppr Door, Lh	1
24	1038134	(003062– )	Bracket Wldt, Pivot, Hppr, Rh	1
25	367313	(003062– )	Bushing, Flng, 1.00b 1.13d 0.50l	2
26	09291	(003062– )	Screw, Hex, M10 X 1.5 X 20, Ss	3
27	07259	(003062– )	Fitting, Grease, Str Pm04 .47l	2
28	1039124	(003062– )	Door Wldt, Hppr	1
29	1044993	(003062– )	Bracket, Cover, Hopper	1
30	08714	(003062– )	Nut, Hex, Lock, M10 X 1.5, NI, Ss	4

**Fig. 54 – Cylindrical Scrub Brush Drive Group, Left Side**

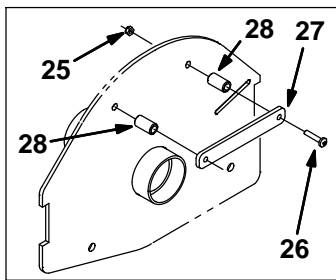
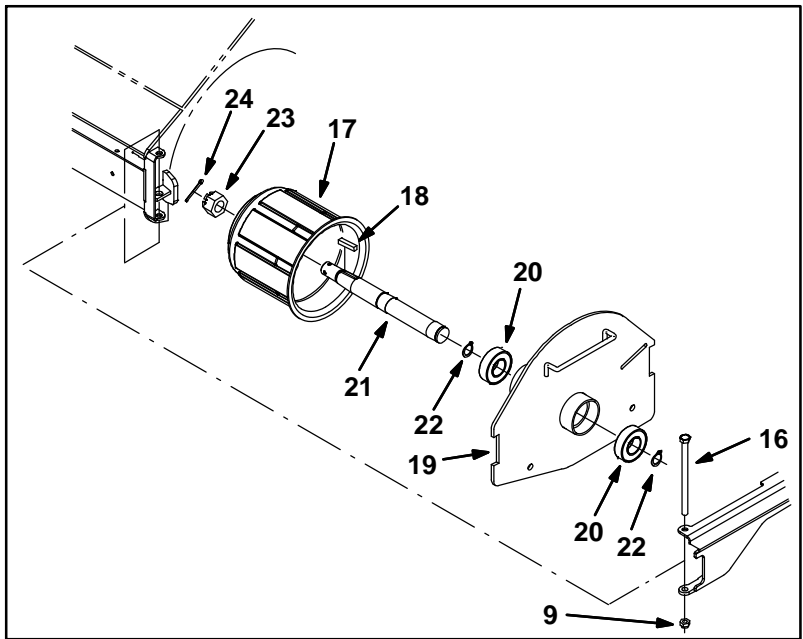
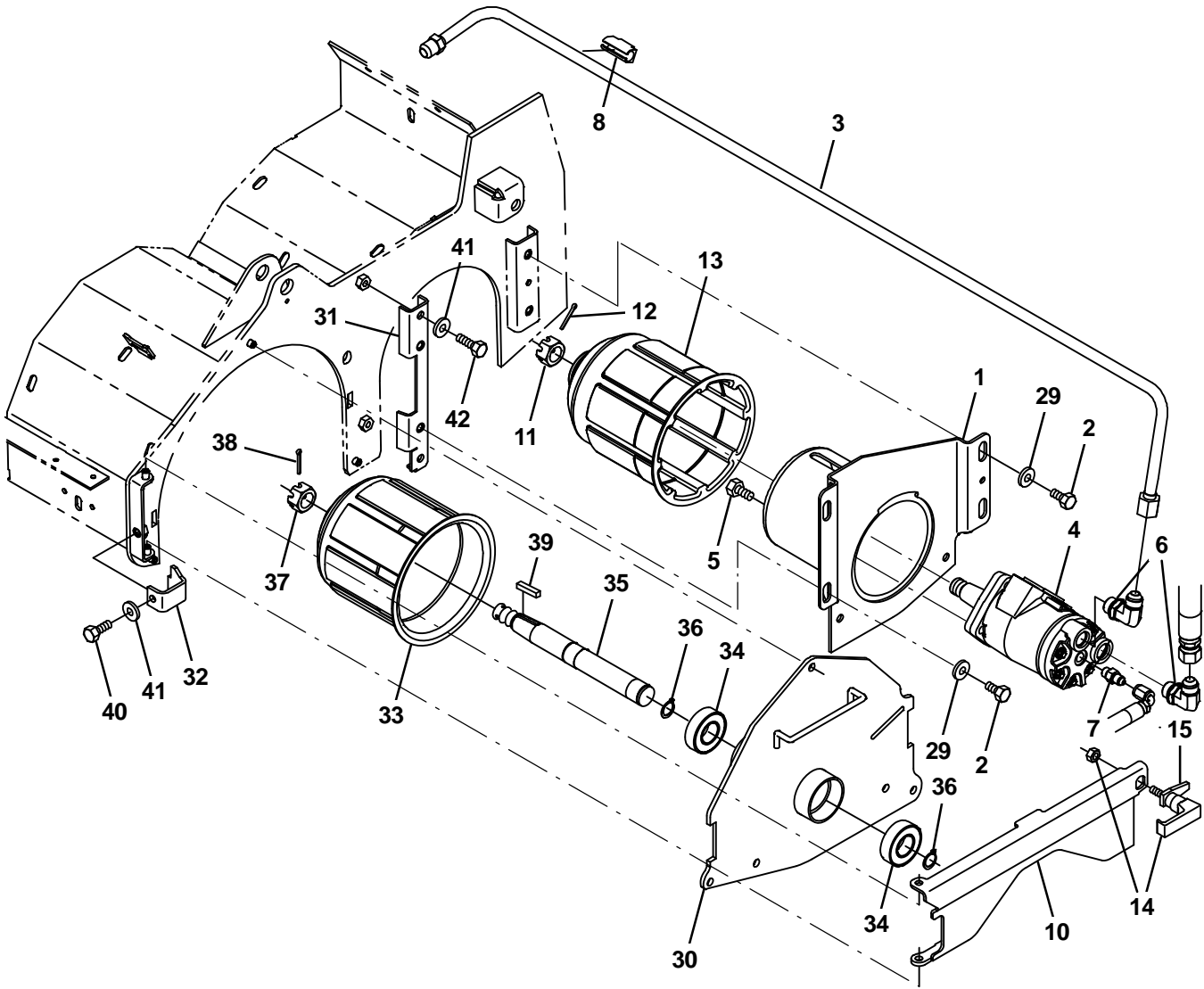


Fig. 54 – Cylindrical Scrub Brush Drive Group, Left Side

Ref.	Part No.	Serial Number	Description	Qty.	
1	1021019	(000000– )	Housing Wldt, Brush, Drive	1	
2	15675	(000000– )	Screw, Hex, M8 X 1.25 X 16, Ss	4	
3	1023617	(000000– )	Tube, Hyd, 08 Jf08/Jm08	1	
4	71729	(000000–004190 )	Motor, Hyd, Gear, Int 04.5 Bi–Dir 1500 (See Breakdowns)	1	
4	1068811	(004191– )	Motor, Hyd, Gear, Int 04.5 Bi–Dir 1500	1	
5	01762	(000000– )	Screw, Hex, .38–16 X 0.75, NI	4	
6	44868	(000000– )	Fitting, Hyd, E90, Jm08/Om08	2	
7	55586	(000000– )	Fitting, Hyd, Str, Jm04/Om04	1	
8	1026080	(000000– )	Clamp, Hyd, 0.50d	1	
9	08713	(000000–004185 )	Nut, Hex, Lock, M8 X 1.25, NI, Ss	1	
10	1029964	(000000– )	Door Wldt, Brush	1	
11	12295	(000000– )	Nut, Hex, Sltd, M20 X 2.5, 8	1	
12	08175	(000000– )	Pin, Cotter, .125 X 1.25	1	
13	87631	(000000–004190 )	Plug Wldt, Drive, Brush, Sweep	1	
13	1057643	(004191– )	Plug Wldt, Drive, Brush, Sweep	1	
14	65695	(000000– )	Latch	1	
15	1026352	(000000– )	Pawl, Str	1	
16	70563	(000000–004185 )	Screw, Hex, M8 X 1.25 X 130, 8.8	1	
▽	9006398	(000000–004185 )	Idler Assy, Brush, Replmt [M20/T20, M30]	1	
▲	17	25686	(000000–004185 )	Plug Wldt, Drive, Brush	1
▲	18	00927	(000000–004185 )	Key, Sq, 0.25 X 0.25, 1.25l	1
▲	19	1038258	(000000–004185 )	Door Wldt, Brush, Idler	1
▲	20	13534	(000000–004185 )	Bearing, Ball, 0.98b 2.05d 0.59w	2
▲	21	56078	(000000–004185 )	Shaft, Brush, Idler	1
▲	22	09005	(000000–004185 )	Ring, Retaining, Ext, 1.00d, Basic	2
▲	23	12295	(000000–004185 )	Nut, Hex, Sltd, M20 X 2.5, 8	1
▲	24	08175	(000000–004185 )	Pin, Cotter, .125 X 1.25	1
	25	09739	(000000–002167 )	Nut, Hex, Lock, M5 X 0.8, NI, Ss	2
	26	17185	(000000–002167 )	Screw, Pan, M5 X 0.8 X 40, Ss	2
	27	1032743	(000000–002167 )	Plate, Handle	1
	28	222496	(000000–002167 )	Sleeve, P/M, 0.31b 0.50d 0.9l [430ss]	2
	29	32491	(000000– )	Washer, Flat, 0.31, Std	4
	30	1054857	(004186– )	Door Wldt, Brush, Idler	1
	31	1054575	(004186– )	Bracket, Sppt	1
	32	1054682	(004186– )	Bracket, Retainer, Lh	1
	33	25686	(004186– )	Plug Wldt, Drive, Brush	1
	34	13534	(004186– )	Bearing, Ball, 0.98b 2.05d 0.59w	2
	35	56078	(004186– )	Shaft, Brush, Idler	1
	36	09005	(004186– )	Ring, Retaining, Ext, 1.00d, Basic	2
	37	12295	(004186– )	Nut, Hex, Sltd, M20 X 2.5, 8	1
	38	08175	(004186– )	Pin, Cotter, .125 X 1.25	1
	39	00927	(004186– )	Key, Sq, 0.25 X 0.25, 1.25l	1
	40	09740	(004186– )	Screw, Hex, M8 X 1.25 X 20, Ss	1
	41	32491	(004186– )	Washer, Flat, 0.31, Std	3
	42	09010	(004186– )	Screw, Hex, M8 X 1.25 X 25, Ss	2

# STANDARD PARTS

Fig. 55 – Cylindrical Scrub Brush Drive Group, Right Side

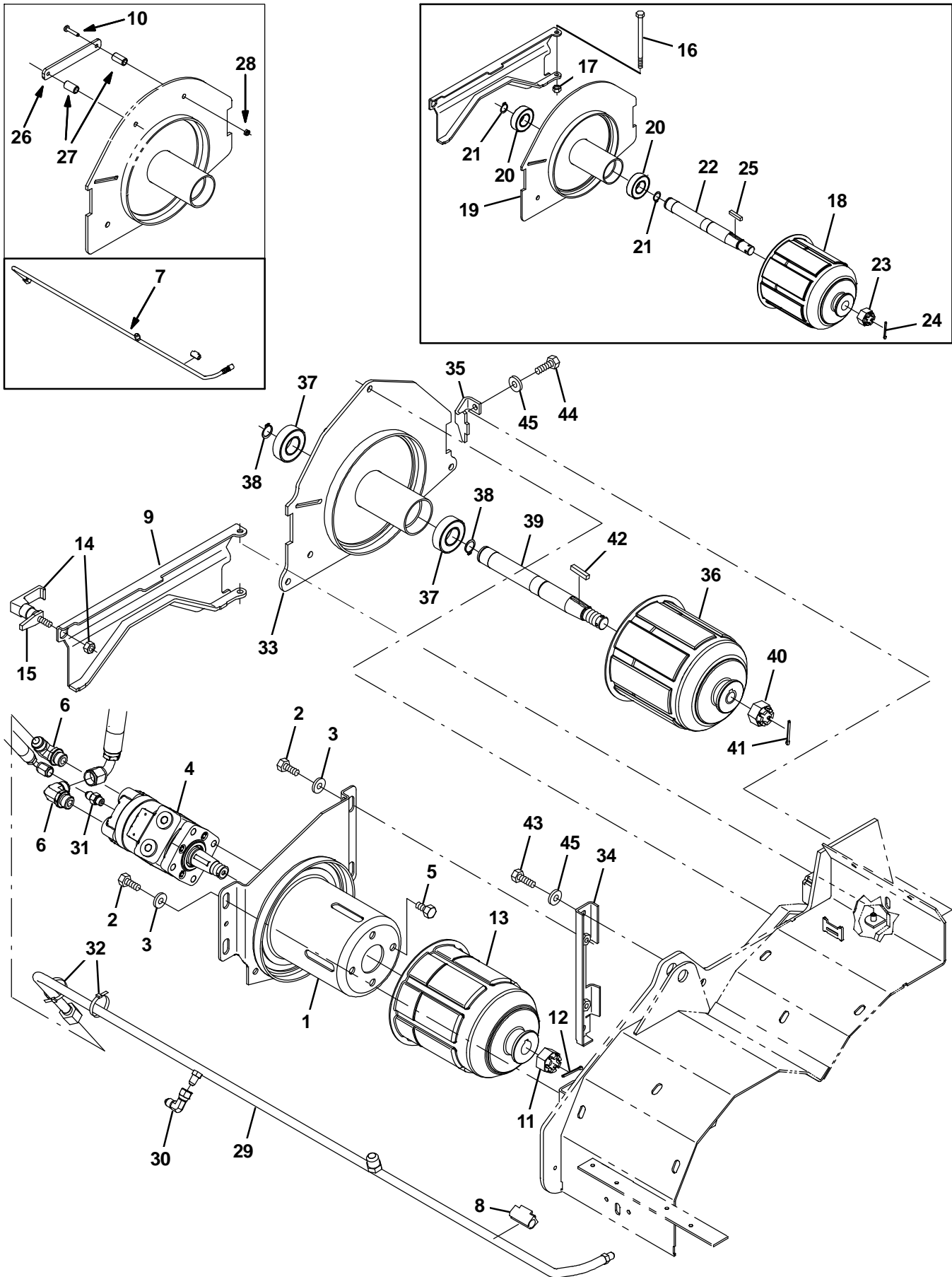


Fig. 55 – Cylindrical Scrub Brush Drive Group, Right Side

Ref.	Part No.	Serial Number	Description	Qty.	
1	1021019	(000000– )	Housing Wldt, Brush, Drive	1	
2	15675	(000000– )	Screw, Hex, M8 X 1.25 X 16, Ss	4	
3	32491	(000000– )	Washer, Flat, 0.31, Std	4	
4	71729	(000000–004190 )	Motor, Hyd, Gear, Int 04.5 Bi–Dir 1500 (See Breakdowns)	1	
4	1068811	(004191– )	Motor, Hyd, Gear, Int 04.5 Bi–Dir 1500	1	
5	01762	(000000– )	Screw, Hex, .38–16 X 0.75, NI	4	
6	44868	(000000– )	Fitting, Hyd, E90, Jm08/Om08	2	
7	9006386	(000000–003056 )	Tube Kit, Hyd, Case Drain [M20/T20]	1	
8	1026080	(000000– )	Clamp, Hyd, 0.50d	1	
9	1029964	(000000– )	Door Wldt, Brush	1	
10	17185	(000000–002167 )	Screw, Pan, M5 X 0.8 X 40, Ss	2	
11	12295	(000000– )	Nut, Hex, Sltd, M20 X 2.5, 8	1	
12	08175	(000000– )	Pin, Cotter, .125 X 1.25	1	
13	87631	(000000–004190 )	Plug Wldt, Drive, Brush, Sweep	1	
13	1057643	(004191– )	Plug Wldt, Drive, Brush, Sweep	1	
14	65695	(000000– )	Latch	1	
15	1026352	(000000– )	Pawl, Str	1	
16	70563	(000000–004185 )	Screw, Hex, M8 X 1.25 X 130, 8.8	1	
17	08713	(000000–004185 )	Nut, Hex, Lock, M8 X 1.25, NI, Ss	1	
▽	9006398	(000000–004185 )	Idler Assy, Brush, Replmt [M20/T20, M30]	1	
▲	18	25686	(000000–004185 )	Plug Wldt, Drive, Brush	1
▲	19	1038258	(000000–004185 )	Door Wldt, Brush, Idler	1
▲	20	13534	(000000–004185 )	Bearing, Ball, 0.98b 2.05d 0.59w	2
▲	21	09005	(000000–004185 )	Ring, Retaining, Ext, 1.00d, Basic	2
▲	22	56078	(000000–004185 )	Shaft, Brush, Idler	1
▲	23	12295	(000000–004185 )	Nut, Hex, Sltd, M20 X 2.5, 8	1
▲	24	08175	(000000–004185 )	Pin, Cotter, .125 X 1.25	1
▲	25	00927	(000000–004185 )	Key, Sq, 0.25 X 0.25, 1.25l	1
	26	1032743	(000000–002167 )	Plate, Handle	1
	27	222496	(000000–002167 )	Sleeve, P/M, 0.31b 0.50d 0.9l [430ss]	2
	28	09739	(000000–002167 )	Nut, Hex, Lock, M5 X 0.8, NI, Ss	2
	29	1055139	(003057– )	Tube, Hyd, Brush Return, W/ Cd [M20/T20]	1
	30	39210	(003057– )	Fitting, Hyd, E90, Jf04/Jm04	1
	31	55586	(003057– )	Fitting, Hyd, Str, Jm04/Om04	1
	32	49266	(003057– )	Tie, Cable, Nyl, 07.3l .19w 1.8 Max D	2
	33	1054857	(004186– )	Door Wldt, Brush, Idler	1
	34	1054575	(004186– )	Bracket, Sppt	1
	35	1054610	(004186– )	Bracket, Retainer, Rh	1
	36	25686	(004186– )	Plug Wldt, Drive, Brush	1
	37	13534	(004186– )	Bearing, Ball, 0.98b 2.05d 0.59w	2
	38	09005	(004186– )	Ring, Retaining, Ext, 1.00d, Basic	2
	39	56078	(004186– )	Shaft, Brush, Idler	1
	40	12295	(004186– )	Nut, Hex, Sltd, M20 X 2.5, 8	1
	41	08175	(004186– )	Pin, Cotter, .125 X 1.25	1
	42	00927	(004186– )	Key, Sq, 0.25 X 0.25, 1.25l	1
	43	09010	(004186– )	Screw, Hex, M8 X 1.25 X 25, Ss	2
	44	09740	(004186– )	Screw, Hex, M8 X 1.25 X 20, Ss	1
	45	32491	(004186– )	Washer, Flat, 0.31, Std	3

**Fig. 56 – Cylindrical Scrub Brush Head Lift Group**

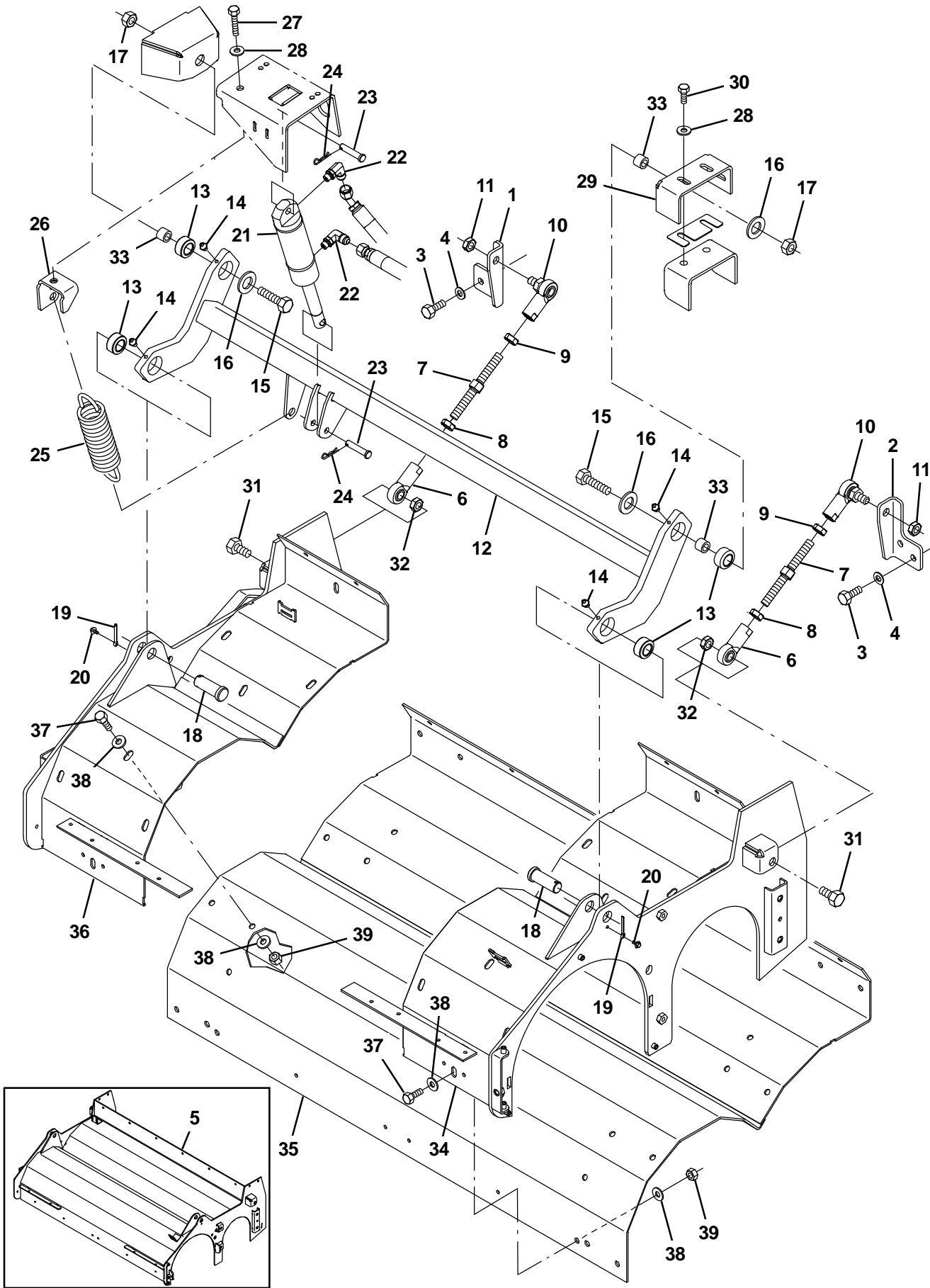


Fig. 56 – Cylindrical Scrub Brush Head Lift Group

Ref.	Part No.	Serial Number	Description	Qty.
1	1030910	(000000– )	Bracket, Mtg, Scb Head, Rh	1
2	1030911	(000000– )	Bracket, Mtg, Scb Head, Lh	1
3	09028	(000000– )	Screw, Hex, M10 X 1.5 X 25, Ss	4
4	32485	(000000– )	Washer, Flat, 0.38 Sae	4
5	1020002	(000000–004185 )	Housing Wldt, Swp, Scb	1
6	67555	(000000– )	Rod–End, .50–20rh Fem 0.50b	2
7	1014705	(000000– )	Rod, Thrd, 2 End, .50–20 04.9l, Rh / Lh	2
8	48985	(000000– )	Nut, Hex, Jam, .50–20	2
9	71369	(000000– )	Nut, Hex, Jam, .50–20, Lh	2
10	382099	(000000– )	Rod–End, .50–20lh Fem 0.50–20stud	2
11	51824	(000000– )	Nut, Hex, Lock, .50–20, NI, Thin	2
12	1020003	(000000– )	Tube Wldt, Torque	1
13	42120	(000000– )	Bearing, Self Align, 0.75b 1.25d	4
14	07259	(000000– )	Fitting, Grease, Str Pm04 .47l	4
15	06969	(000000– )	Screw, Hex, M12 X 1.75 X 40, 8.8	2
16	41619	(000000– )	Washer, Flat, 0.56b 1.38d .11, Ss	2
17	09741	(000000– )	Nut, Hex, Lock, M12 X 1.75, NI, Ss	2
18	04733–12	(000000– )	Pin, Clevis, 0.75d X 2.00l	2
19	08236	(000000– )	Pin, Cotter, .156 X 1.25	2
20	223198	(000000– )	Screw, Hex, M5 X 0.8 X 10, Fmg	2
21	1038137	(000000– )	Cylinder, Hyd, 1.5b 07.8l 02.80strk 2500	1
22	77098	(000000– )	Fitting, Hyd, E90, Jm06/Om04	2
23	17461	(000000– )	Pin, Clevis, 0.37d X 1.75l	2
24	86866	(000000– )	Pin, Cotter, Hair, 0.38d .072 Wir	2
25	1042686	(000000– )	Spring, Extn, 2.00od 0.25wir 07.5l	1
26	1027810	(000000– )	Bracket, Mtg, Spring	1
27	763090	(000000– )	Screw, Hex, M8 X 1.25 X 60, FI	1
28	32491	(000000– )	Washer, Flat, 0.31, Std	4
29	1019146	(000000– )	Bracket, Mtg, Lift, Scb Head	1
30	09740	(000000– )	Screw, Hex, M8 X 1.25 X 20, Ss	3
31	39811	(000000– )	Screw, Hex, .50–13 X 1.50, 5	2
32	36644	(000000– )	Nut, Hex, Lock, .50–13, NI, Thin	2
33	1025100	(000000– )	Sleeve, P/M, 0.47b 0.75d 0.5l [430ss]	3
34	1052342	(004186– )	Bracket Wldt, Brush Wrap, Lh	1
35	1069562	(004186– )	Plate Wldt, Wrap, Brush	1
36	1052124	(004186– )	Bracket Wldt, Brush Wrap Mtg, Rh	1
37	09740	(004186– )	Screw, Hex, M8 X 1.25 X 20, Ss	10
38	32491	(004186– )	Washer, Flat, 0.31, Std	20
39	08713	(004186– )	Nut, Hex, Lock, M8 X 1.25, NI, Ss	10

**Fig. 57 – Cylindrical Brush Head Skirt Group**

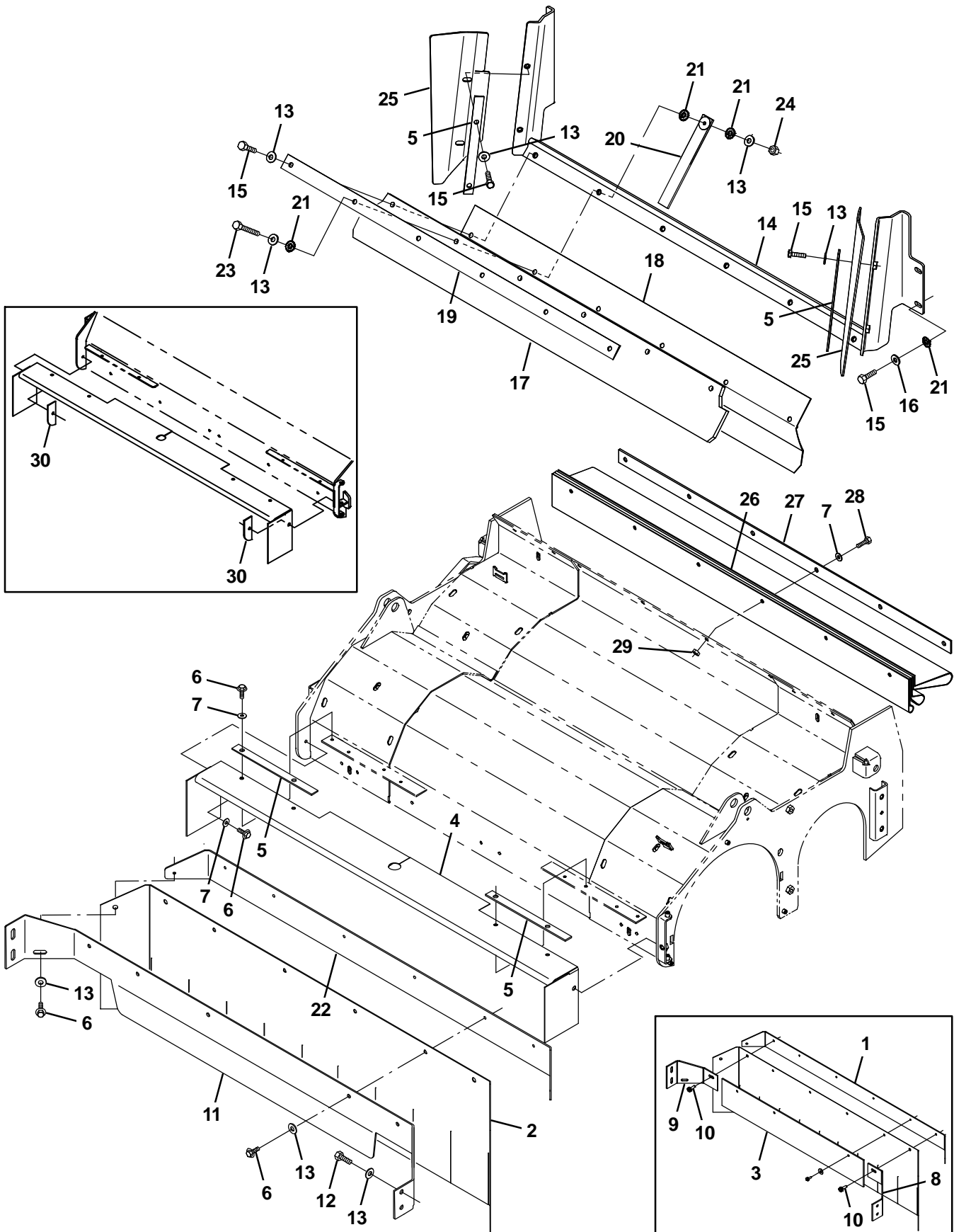


Fig. 57 – Cylindrical Brush Head Skirt Group

Ref.	Part No.	Serial Number	Description	Qty.
1	1020208	(000000-002275 )	Plate, Skirt, Front	1
2	1020166	(000000- )	Skirt, Neo, .06, 12.00w 45.88l, 07 Hole	1
3	1020207	(000000-002275 )	Retainer, Skirt, Front	1
4	1022363	(000000- )	Skirt, Neo, .06, 07.63w 51.52l, 11 Hole	1
5	1022003	(000000- )	Retainer, Skirt	4
6	361339	(000000- )	Screw, Hex, M6 X 1.0 X 16, Fmg	13
7	01684	(000000- )	Washer, Flat, 0.25, Ss	12
8	1024570	(000000-002275 )	Bracket, Mtg, Skirt	1
9	1020163	(000000-002275 )	Bracket, Mtg, Skirt	1
10	76099	(000000-002275 )	Screw, Hex, M8 X 1.25 X 25, Fmg	4
11	1039396	(002276- )	Bracket, Mtg, Skirt	1
12	09740	(000000- )	Screw, Hex, M8 X 1.25 X 20, Ss	4
13	01685	(000000- )	Washer, Flat, 0.31, Ss	22
14	1022179	(000000- )	Bracket Wldt, Flap, Recirculation	1
15	09010	(000000- )	Screw, Hex, M8 X 1.25 X 25, Ss	13
16	32491	(000000- )	Washer, Flat, 0.31, Std	4
17	1022007	(000000- )	Skirt, Rbr, .37, 04.50w 40.94l, 06 Hole	1
18	1022009	(000000- )	Skirt, Neo, .06, 06.38w 40.86l, 06 Hole	1
19	1020828	(000000- )	Strip, Flap, Recirculation	1
20	1028852	(000000- )	Strap, Static, Afrmkt	1
21	41141	(000000- )	Washer, Lock, Int-Ext, 0.31	7
22	1040018	(002276- )	Plate, Skirt, Front	1
23	33401	(000000- )	Screw, Hex, M8 X 1.25 X 50, Ss, FI	1
24	08713	(000000- )	Nut, Hex, Lock, M8 X 1.25, NI, Ss	1
25	1022165	(000000- )	Skirt, Neo, .12, 05.39w 14.01l, 02 Sl	2
26	1026108	(000000- )	Skirt, Neo, .06, 26.99w 40.55l, 36 Hole	1
27	1020828	(000000- )	Strip, Flap, Recirculation	1
28	07805	(000000- )	Screw, Hex, M6 X 1.0 X 35, Ss	6
29	08712	(000000- )	Nut, Hex, Lock, M6 X 1.0, Ss, NI	6
30	1022359	(000000-001284 )	Plate, Mtg, Skirt, Scb Head (Replaced by None)	2

Fig. 58 – Squeegee Lift Group, Rear

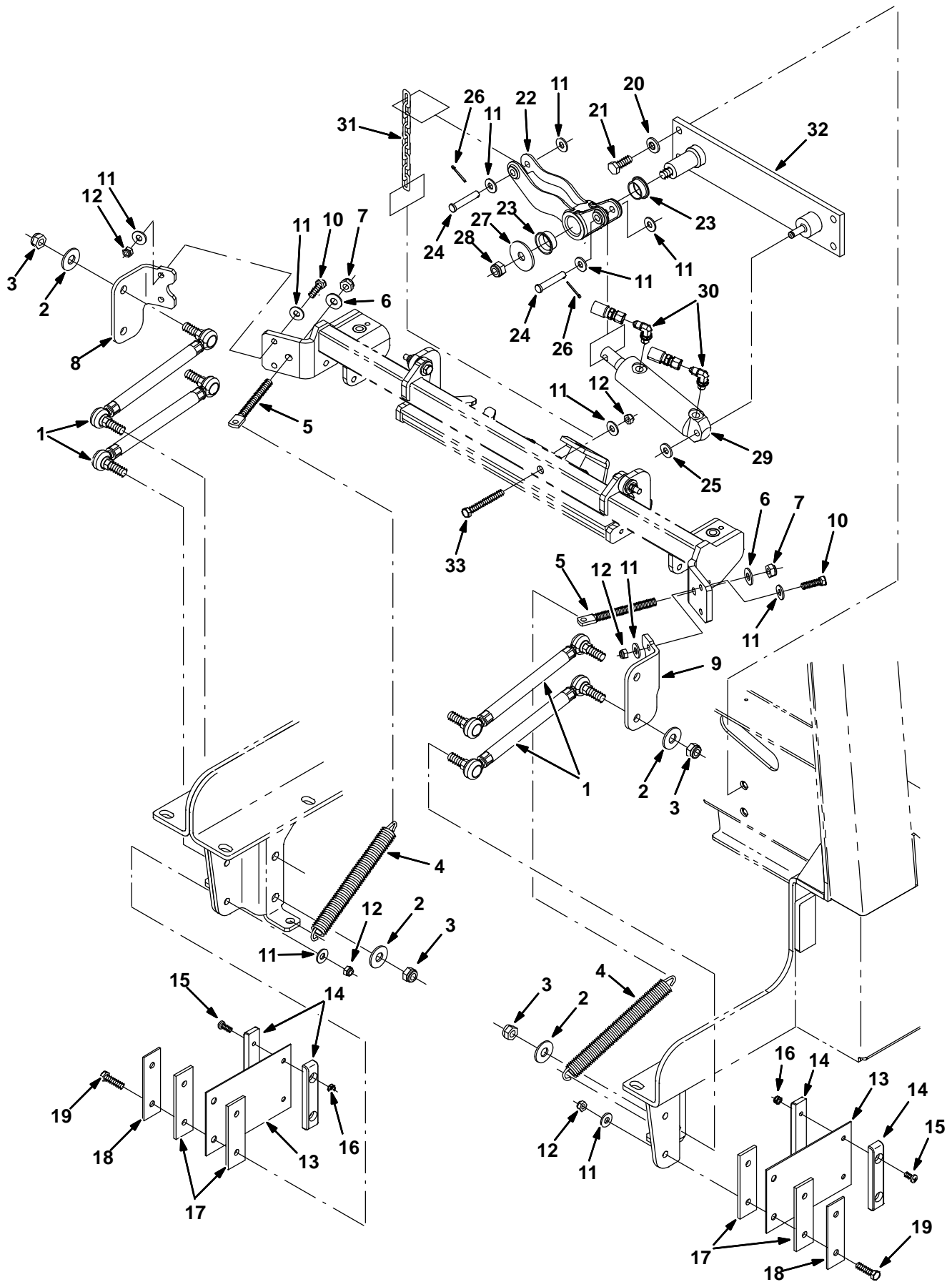


Fig. 58 – Squeegee Lift Group, Rear

Ref.	Part No.	Serial Number	Description	Qty.
1	1026007	(000000–	) Link Assy, Rod–End, M12	4
2	41619	(000000–	) Washer, Flat, 0.56b 1.38d .11, Ss	8
3	09741	(000000–	) Nut, Hex, Lock, M12 X 1.75, NI, Ss	8
4	46785–1	(000000–	) Spring, Extn, 0.88od X 0.14wir, 9.0l	2
5	1007220	(000000–	) Bolt, Eye, M10 X 1.5 X 117mm, 8.0 Eye	2
6	01686	(000000–	) Washer, Flat, 0.44b 1.00d .08, Ss	2
7	08714	(000000–	) Nut, Hex, Lock, M10 X 1.5, NI, Ss	2
8	1022372	(000000–	) Angle, Rh	1
9	1022442	(000000–	) Angle, Lh	1
10	09010	(000000–	) Screw, Hex, M8 X 1.25 X 25, Ss	4
11	01685	(000000–	) Washer, Flat, 0.31, Ss	15
12	08713	(000000–	) Nut, Hex, Lock, M8 X 1.25, NI, Ss	9
13	71204	(000000–	) Spring, Flt, 0.08th, 4.50w X 07.0l	2
14	1024648	(000000–	) Block, Centering	4
15	367770	(000000–	) Screw, Pan, M6 X 1.0 X 16, Ss	4
16	08712	(000000–	) Nut, Hex, Lock, M6 X 1.0, Ss, NI	4
17	1024641	(000000–	) Spacer, Pad, Rbr	4
18	1024703	(000000–	) Retainer, Spring	2
19	09023	(000000–	) Screw, Hex, M8 X 1.25 X 35, Ss, FI	4
20	41187	(000000–	) Washer, Flat, Belleville, .38	4
21	12317	(000000–	) Screw, Hex, M10 X 1.5 X 30, Ss	4
22	1025680	(000000–	) Bellcrank, Lift, Sqge	1
23	367313	(000000–	) Bushing, Flng, 1.00b 1.13d 0.50l	2
24	29584	(000000–	) Pin, Clevis, 0.37d X 2.00l	2
25	23524–1	(000000–	) Ring, Retaining, Ext, 0.38d, [Selflock]	1
26	08179	(000000–	) Pin, Cotter, .094 X 1.00	2
27	04414	(000000–	) Washer, Flat, 0.53b 1.88d .12, Stl, PI	1
28	09741	(000000–	) Nut, Hex, Lock, M12 X 1.75, NI, Ss	1
29	1038137	(000000–	) Cylinder, Hyd, 1.5b 07.8l 02.80strk 2500	1
30	77097	(000000–	) Fitting, Hyd, E90, Jm04/Om04	2
31	1023779	(000000–	) Chain, Str, 4/0, 08 Link	1
32	1021609	(000000–	) Plate Wldt, Lift, Sqge	1
33	06957	(002102–	) Screw, Hex, M8 X 1.25 X 60, 8.8	1

Fig. 59 – Squeegee Group, Rear

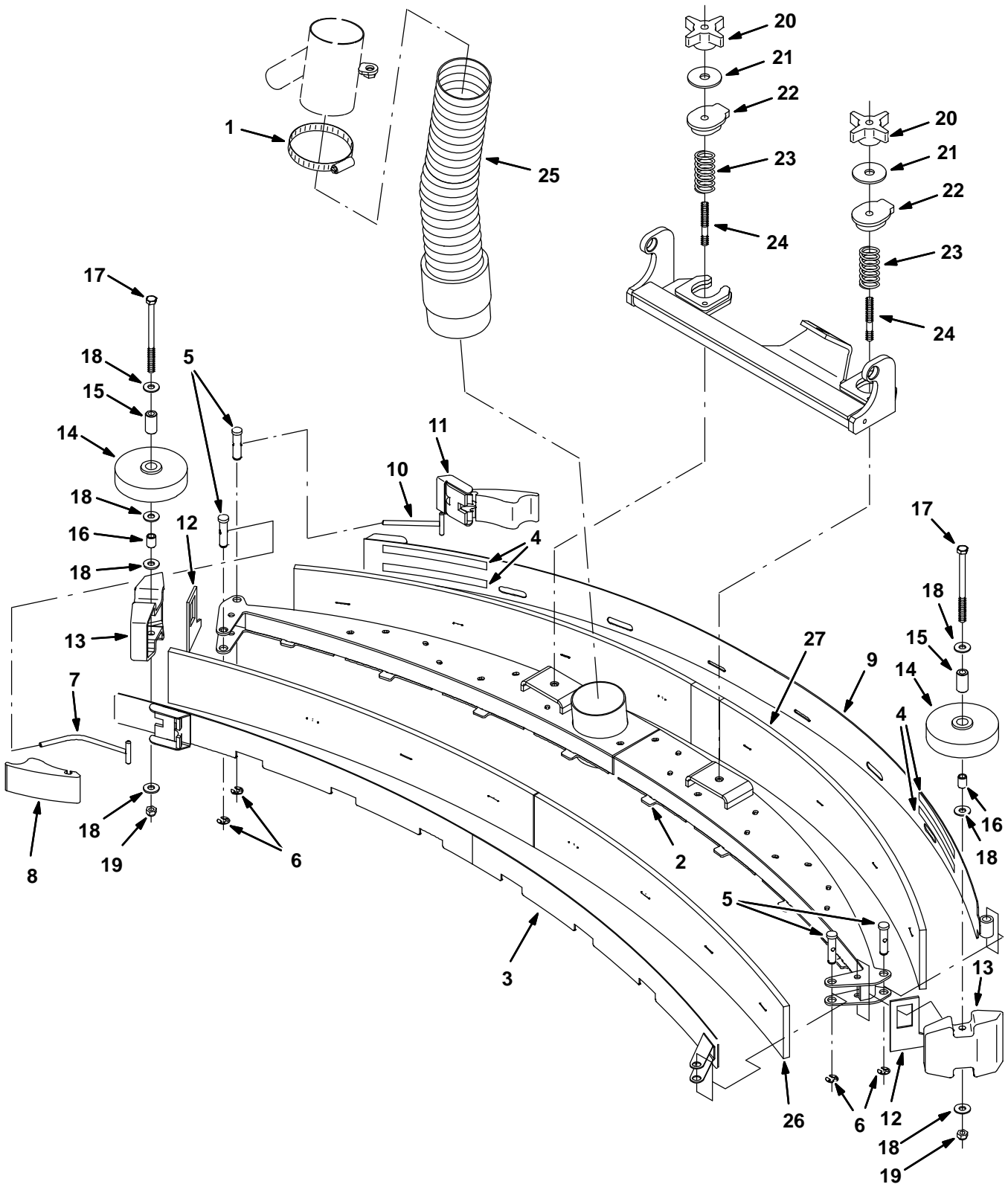


Fig. 59 – Squeegee Group, Rear

Ref.	Part No.	Serial Number	Description	Qty.
	1	43555	(000000– ) Clamp, Hose, Wormdrive, 2.50–3.50d, .50w	1
▽	9004493	(000000– )	Squeegee Kit, Rear, Replmt [M20/T20]	1
▲	2	1022831	(000000– ) Squeegee Wldt, Rear	1
▲	3	1023239	(000000– ) Clamp Wldt, Front	1
▲	4	03495	(000000– ) Strip, Non–Slip, 0.50w 06.0l	4
▲	5	21603	(000000– ) Pin, Grvd, 0.43d 01.8l [303ss]	4
▲	6	24555	(000000– ) Ring, Retaining, Ext, 0.38d, [E–Ring]	4
▲	7	386298	(000000– ) Pin Wldt, Front	1
▲	8	21601	(000000– ) Cam	1
▲	9	1028374	(000000– ) Clamp Wldt, Rear	1
▲	10	21606	(000000– ) Bar Wldt, Retainer, Sqge, Rear	1
▲	11	21602	(000000– ) Cam, Rear	1
▲	12	83874	(000000– ) Gasket, Sqge	2
▲	13	386264	(000000– ) Bumper, Sqge	2
▲	14	363162	(000000– ) Wheel, 4.0d 0.89w 0.64b	2
▲	15	363301	(000000– ) Sleeve, P/M, 0.34b 0.63d 1.2l, Bnz	2
▲	16	80395	(000000– ) Sleeve, P/M, 0.31b 0.50d 0.7l [430ss]	2
▲	17	364441	(000000– ) Screw, Hex, M8 X 1.25 X 110, Ss	2
▲	18	01685	(000000– ) Washer, Flat, 0.31, Ss	10
▲	19	08713	(000000– ) Nut, Hex, Lock, M8 X 1.25, NI, Ss	2
	20	370100	(000000– ) Knob, Star, 2.80d 4ear 1.1l .31–18 Pyp	2
	21	04414	(000000– ) Washer, Flat, 0.53b 1.88d .12, Stl, Pl	2
	22	387433	(000000– ) Ring, Mtg, Sqge, .50l	2
	23	387500	(000000– ) Spring, Cmpr, 0.9od .042wir 02.0l	2
	24	387237	(000000– ) Stud, .31–18 2.75l M8 X 1.25, Ss	2
	25	1021511	(000000– ) Hose, Vacuum, 19.0l	1
	26	1017868	(000000– ) Blade, Sqge, Front, 49.58l Linatex	1
	26	1027719	(000000– ) Blade, Sqge, Front, 49.58l Ure (Option)	1
	27	1031331	(000000– ) Blade, Sqge, Rear, Linatex	1
	27	1031945	(000000– ) Blade, Sqge, Rear, 53.78l Ure (Option)	1

**Fig. 60 – Squeegee Linkage Group, Rear**

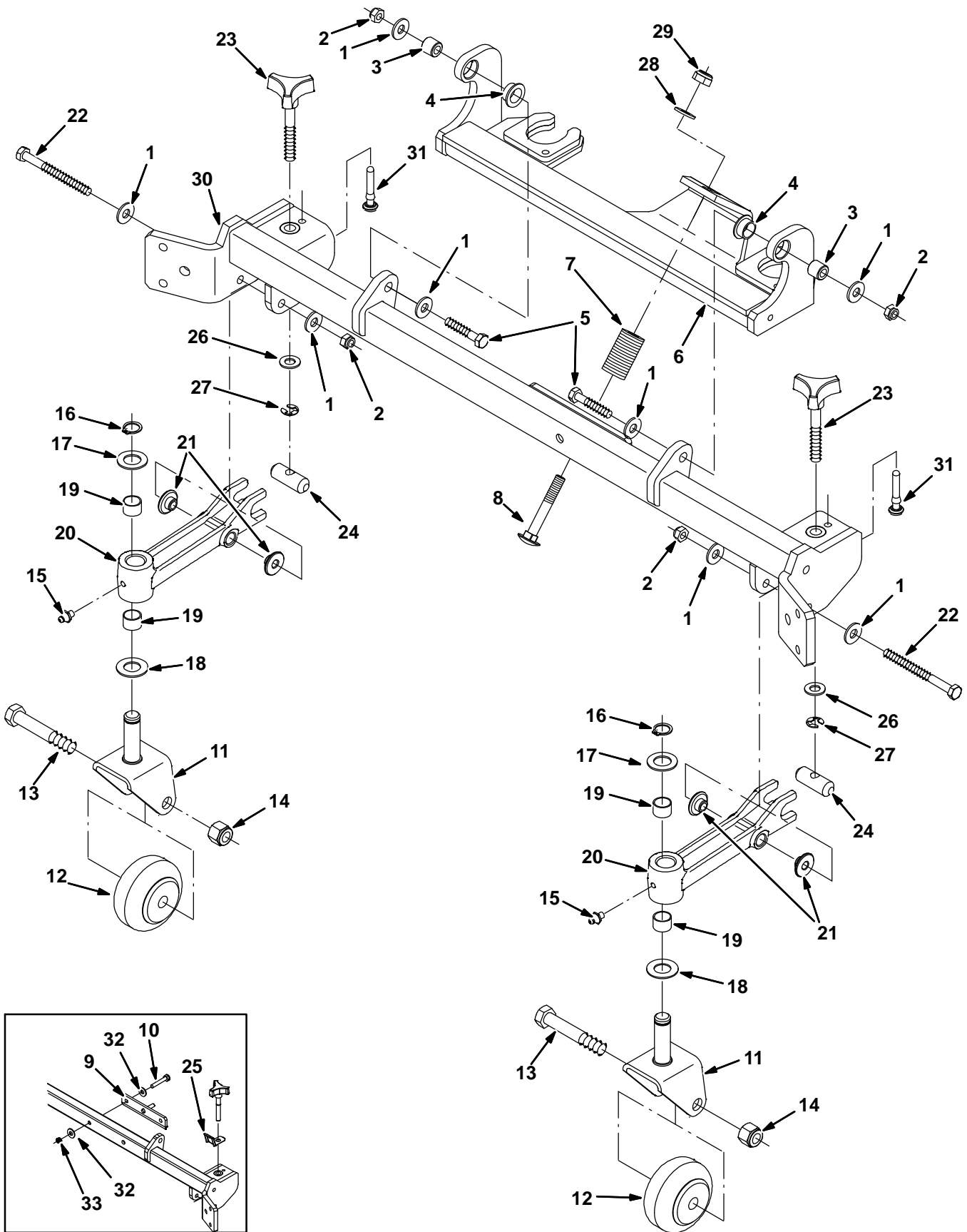


Fig. 60 – Squeegee Linkage Group, Rear

Ref.	Part No.	Serial Number	Description	Qty.
1	01685	(000000– )	Washer, Flat, 0.31, Ss	6
2	08713	(000000– )	Nut, Hex, Lock, M8 X 1.25, NI, Ss	4
3	80409	(000000– )	Sleeve, P/M, 0.34b 0.63d 0.6l, Bnz	2
4	25735	(000000– )	Bushing, Fling, 0.63b 0.75d 0.38l	2
5	222505	(000000– )	Screw, Hex, M8 X 1.25 X 45, Ss	2
6	1023476	(000000– )	Bracket Wldt, Mtg, Sqge	1
7	65180	(000000– )	Spring, Dsl, 1.00od 0.50id 1.7l	1
8	1025601	(000000– )	Bolt, Carriage, M10 X 1.5 X 70	1
9	1034147	(000000–002101 )	Pin Wldt, Lift (Replaced by 9003478)	1
10	222505	(000000–002101 )	Screw, Hex, M8 X 1.25 X 45, Ss	2
11	1021404	(000000– )	Bracket Wldt, Mtg, Caster	2
12	20833	(000000– )	Wheel, 3.0d 1.38w 0.50b	2
13	81952	(000000– )	Screw, Hex, .50–13 X 3.00, Ss18–8	2
14	02931	(000000– )	Nut, Hex, Lock, .50–13, NI, Ss	2
15	07259	(000000– )	Fitting, Grease, Str Pm04 .47l	2
16	33373	(000000– )	Ring, Retaining, Ext, 0.62d, Hd	2
17	63468	(000000– )	Washer, Flat, 0.69b 1.19d .06, Stl, Pl	2
18	64425	(000000– )	Washer, Thrust, 0.61b 1.25d .06, Fgl	2
19	07449	(000000– )	Bushing, Sleeve, 0.62b 0.72d 0.50l, Fgl	4
20	1025460	(000000– )	Caster, Pivot	2
21	80950	(000000– )	Bushing, Fling, 0.32b 0.50d 0.24l, Bnz	4
22	39281	(000000– )	Screw, Hex, M8 X 1.25 X 90, 8.8	2
23	1021546	(000000– )	Knob Assy, Star, 1.12d 3ear M10	2
24	1021497	(000000– )	Pin, 0.63d 01.8l, 1/M10h, 2cham	2
25	1022545	(000000–002049 )	Spring, Keeper	2
26	32485	(000000– )	Washer, Flat, 0.38 Sae	2
27	24555	(000000– )	Ring, Retaining, Ext, 0.38d, [E–Ring]	2
28	1014563	(000000– )	Washer, Flat, 0.40b 1.12d .12, Ss	1
29	08714	(000000– )	Nut, Hex, Lock, M10 X 1.5, NI, Ss	1
30	1034149	(000000– )	Crossmember Wldt [M20]	1
31	1035727	(002050– )	Stop, Rotation	2
32	01685	(000000–002101 )	Washer, Flat, 0.31, Ss	4
33	08713	(000000–002101 )	Nut, Hex, Lock, M8 X 1.25, NI, Ss	2

Fig. 61 – Squeegee Group, Right Side

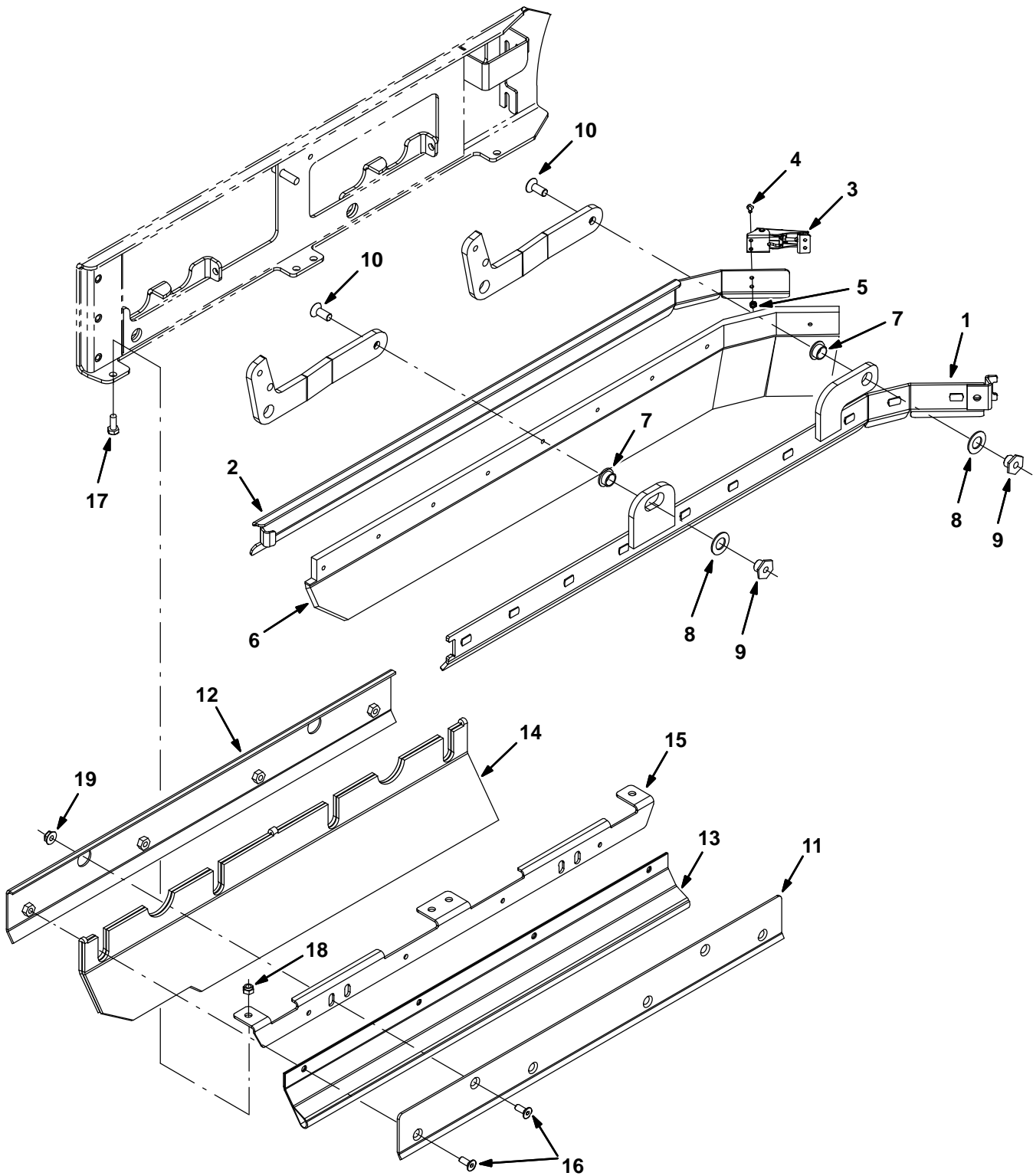


Fig. 61 – Squeegee Group, Right Side

Ref.	Part No.	Serial Number	Description	Qty.
1	1029132	(000000–	) Frame Wldt, Sqge, Rh	1
2	1029128	(000000–	) Retainer, Sqge, Side, Rh	1
3	384418	(000000–	) Latch, Door [Southco 91–562–07]	1
4	49697	(000000–	) Screw, Pan, M4 X 0.7 X 10, Ss	2
5	33932	(000000–	) Nut, Hex, Lock, M4 X 0.7, NI, Ss	2
6	1031011	(000000–	) Blade, Sqge, .38 3.55w 038.3l, Linatex	1
6	1031823	(000000–	) Blade, Sqge, .38 3.55w 038.3l, Ure (Option)	1
7	25735	(000000–	) Bushing, Flng, 0.63b 0.75d 0.38l	2
8	64425	(000000–	) Washer, Thrust, 0.61b 1.25d .06, Fgl	2
9	1022846	(000000–	) Nut, T, M10 X 1.50 X 15.8od X 13.0l	2
10	09081	(000000–	) Screw, Flt, M10 X 1.5 X 25, 10.9	2
11	1024584	(000000–	) Bracket, Mtg, Skirt, Brush Door	1
12	1024651	(000000–	) Bracket, Mtg, Skirt, Door	1
13	1024586	(000000–	) Skirt, Neo, .06, 06.85w 27.95l, 08 Hole	1
14	1019295	(000000–	) Skirt, Neo, .18, 10.37w 27.95l, 12 H&S	1
15	1025151	(000000–	) Bracket, Mtg, Skirt, Door, Brush	1
16	222463	(000000–	) Screw, Flt, M8 X 1.25 X 20, Blk	6
17	393135	(000000–	) Screw, Btn, M8 X 1.25 X 20, Blk	4
18	08713	(000000–	) Nut, Hex, Lock, M8 X 1.25, NI, Ss	4
19	07791	(000000–	) Nut, Hex, Flng, M8 X 1.25	2

**Fig. 62 – Squeegee Lift Group, Right Side**

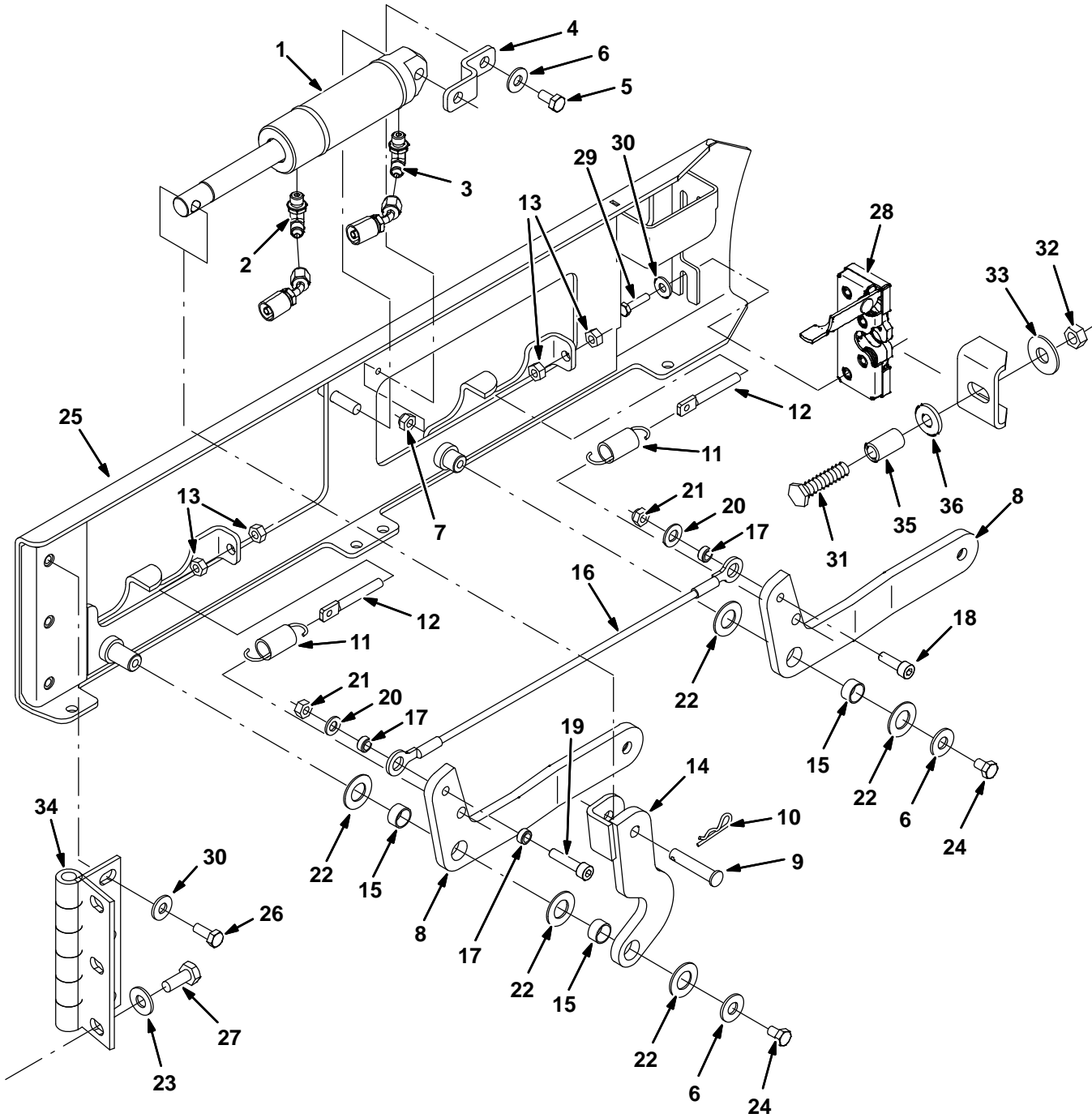


Fig. 62 – Squeegee Lift Group, Right Side

Ref.	Part No.	Serial Number	Description	Qty.
1	1038137	(000000–	) Cylinder, Hyd, 1.5b 07.8l 02.80strk 2500	1
2	77097	(000000–	) Fitting, Hyd, E90, Jm04/Om04	1
3	1028635	(000000–	) Fitting, Hyd, Rst, Spcl	1
4	1022825	(000000–	) Bracket, Mtg, Cyl	1
5	08716	(000000–	) Screw, Hex, M6 X 1.00 X 20, Ss	1
6	01685	(000000–	) Washer, Flat, 0.31, Ss	3
7	08713	(000000–	) Nut, Hex, Lock, M8 X 1.25, NI, Ss	1
8	1020548	(000000–	) Arm, Sqge, Side, Rh	2
9	17461	(000000–	) Pin, Clevis, 0.37D X 1.75L	1
10	08182	(000000–	) Pin, Cotter, .125 X 1.00	1
11	87816	(000000–	) Spring, Extn, 0.75od X 0.09wir, 2.5l	2
12	386088	(000000–	) Bolt, Eye, M08 X 1.25 X 070mm, 05.50 Eye	2
13	07786	(000000–	) Nut, Hex, Std, M8 X 1.25, Ss	4
14	1023306	(000000–	) Arm Wldt, Sqge, Lift, Rh	1
15	71607	(000000–	) Bushing, Sleeve, 0.63b 0.72d 0.38l	3
16	81784	(000000–	) Cable, Glv .13d 015.8l .50eye /.50eye	1
17	360801	(000000–	) Sleeve, 0.31b 0.50d 0.3l, Ss	3
18	39308	(000000–	) Screw, Soc, M8 X 1.25 X 25, 12.9	1
19	41445	(000000–	) Screw, Soc, M8 X 1.25 X 35, 12.9	1
20	39349	(000000–	) Washer, Flat, 0.31 Sae	2
21	08709	(000000–	) Nut, Hex, Lock, M8 X 1.25, NI	2
22	64425	(000000–	) Washer, Thrust, 0.61b 1.25d .06, Fgl	5
23	41187	(000000–	) Washer, Flat, Belleville, .38	3
24	09740	(000000–	) Screw, Hex, M8 X 1.25 X 20, Ss	2
25	1019031	(000000–	) Door Wldt, Brush, Rh	1
26	09028	(000000–	) Screw, Hex, M10 X 1.5 X 25, Ss	3
27	09740	(000000–	) Screw, Hex, M8 X 1.25 X 20, Ss	3
28	59194	(000000–	) Latch, Hook	1
29	09007	(000000–	) Screw, Hex, M6 X 1.0 X 25, Ss	2
30	41185	(000000–	) Washer, Flat, Belleville, .25	5
31	379870	(000000–	) Screw, Hex, M12 X 1.75 X 55, Ss	1
32	07788	(000000–	) Nut, Hex, Std, M12 X 1.75, Ss	1
33	41619	(000000–	) Washer, Flat, 0.56b 1.38d .11, Ss	1
34	1024576	(000000–	) Hinge, .50pin .19 4.0w 06.0l 3/0.44sl	1
35	36328	(000000–	) Washer, Flat, Belleville, .50	1
36	1039348	(000000–	) Sleeve, 0.49b 0.68d 1.2l [304ss]	1

Fig. 63 – Squeegee Group, Left Side

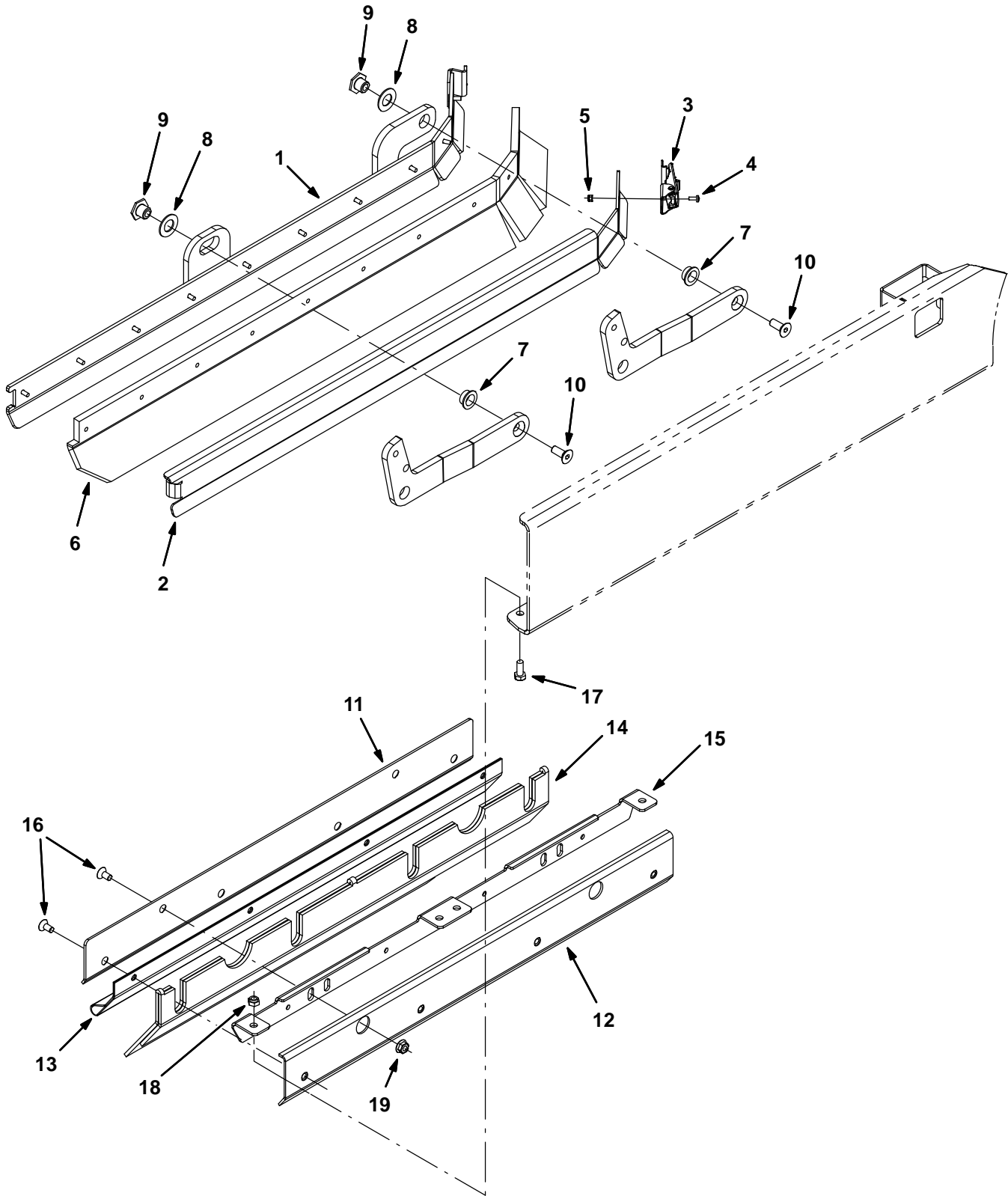


Fig. 63 – Squeegee Group, Left Side

Ref.	Part No.	Serial Number	Description	Qty.
1	1028972	(000000–	) Frame Wldt, Sqge, Lh	1
2	1028979	(000000–	) Retainer, Sqge, Side, Lh	1
3	384418	(000000–	) Latch, Door [Southco 91–562–07]	1
4	49697	(000000–	) Screw, Pan, M4 X 0.7 X 10, Ss	2
5	33932	(000000–	) Nut, Hex, Lock, M4 X 0.7, NI, Ss	2
6	1031011	(000000–	) Blade, Sqge, .38 3.55w 038.3l, Linatex	1
6	1031823	(000000–	) Blade, Sqge, .38 3.55w 038.3l, Ure (Option)	1
7	25735	(000000–	) Bushing, Flng, 0.63b 0.75d 0.38l	2
8	64425	(000000–	) Washer, Thrust, 0.61b 1.25d .06, Fgl	2
9	1022846	(000000–	) Nut, T, M10 X 1.50 X 15.8od X 13.0l	1
10	09081	(000000–	) Screw, Flt, M10 X 1.5 X 25, 10.9	2
11	1024584	(000000–	) Bracket, Mtg, Skirt, Brush Door	1
12	1024651	(000000–	) Bracket, Mtg, Skirt, Door	1
13	1024586	(000000–	) Skirt, Neo, .06, 06.85w 27.95l, 08 Hole	1
14	1019295	(000000–	) Skirt, Neo, .18, 10.37w 27.95l, 12 H&S	1
15	1025151	(000000–	) Bracket, Mtg, Skirt, Door, Brush	1
16	222463	(000000–	) Screw, Flt, M8 X 1.25 X 20, Blk	6
17	393135	(000000–	) Screw, Btn, M8 X 1.25 X 20, Blk	4
18	08713	(000000–	) Nut, Hex, Lock, M8 X 1.25, NI, Ss	4
19	07791	(000000–	) Nut, Hex, Flng, M8 X 1.25	2

**Fig. 64 – Squeegee Lift Group, Left Side**

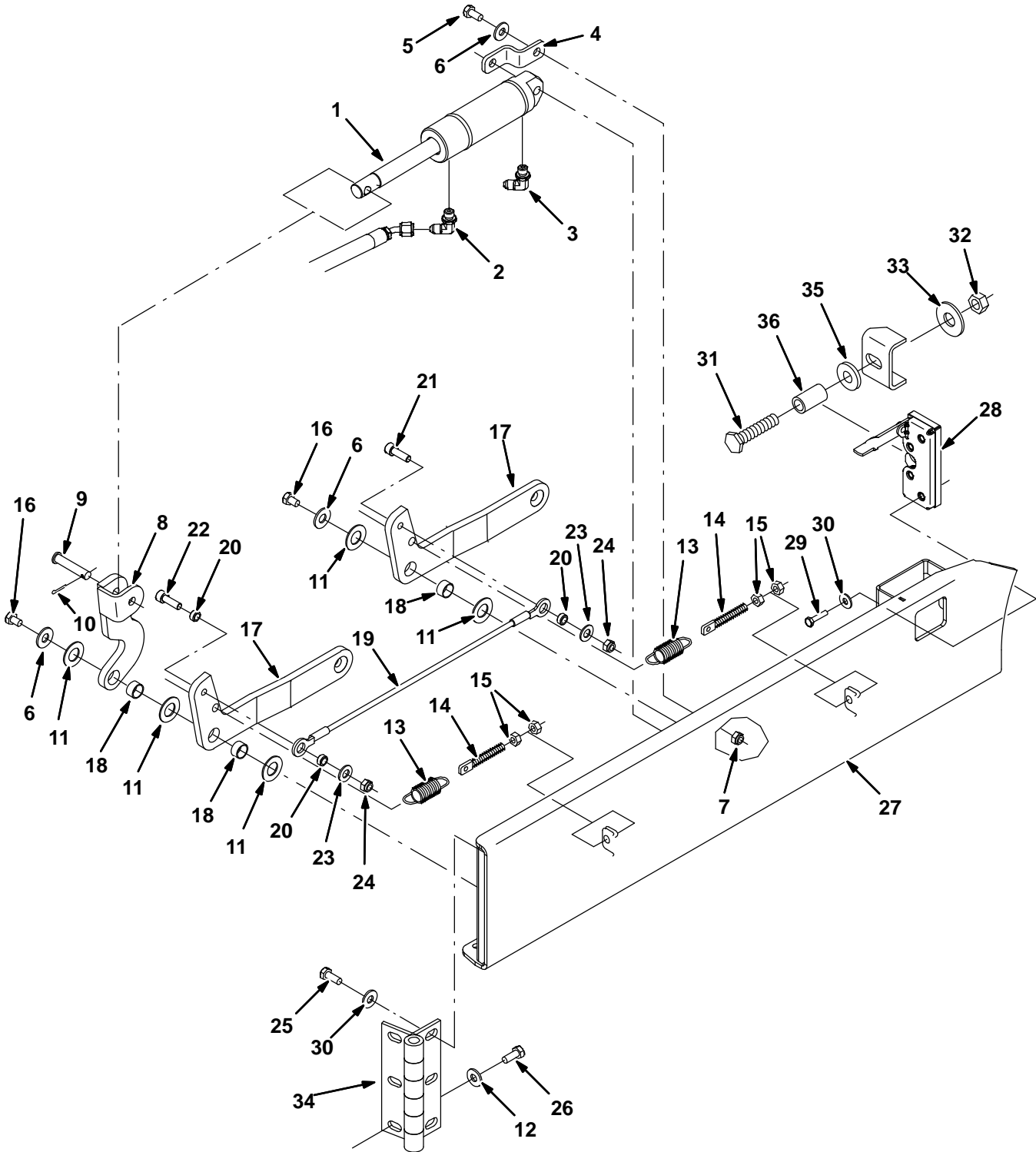


Fig. 64 – Squeegee Lift Group, Left Side

Ref.	Part No.	Serial Number	Description	Qty.
1	1038137	(000000–	) Cylinder, Hyd, 1.5b 07.8l 02.80strk 2500	1
2	77097	(000000–	) Fitting, Hyd, E90, Jm04/Om04	1
3	1028635	(000000–	) Fitting, Hyd, Rst, Spcl	1
4	1022825	(000000–	) Bracket, Mtg, Cyl	1
5	08716	(000000–	) Screw, Hex, M6 X 1.00 X 20, Ss	1
6	01685	(000000–	) Washer, Flat, 0.31, Ss	3
7	08713	(000000–	) Nut, Hex, Lock, M8 X 1.25, NI, Ss	1
8	1022978	(000000–	) Arm Wldt, Lift, Sqge, Lh	1
9	17461	(000000–	) Pin, Clevis, 0.37D X 1.75L	1
10	08182	(000000–	) Pin, Cotter, .125 X 1.00	1
11	64425	(000000–	) Washer, Thrust, 0.61b 1.25d .06, Fgl	5
12	41187	(000000–	) Washer, Flat, Belleville, .38	3
13	87816	(000000–	) Spring, Extn, 0.75od X 0.09wir, 2.5l	2
14	386088	(000000–	) Bolt, Eye, M08 X 1.25 X 070mm, 05.50 Eye	2
15	07786	(000000–	) Nut, Hex, Std, M8 X 1.25, Ss	4
16	09740	(000000–	) Screw, Hex, M8 X 1.25 X 20, Ss	2
17	1023307	(000000–	) Arm, Sqge, Side, Lh	2
18	71607	(000000–	) Bushing, Sleeve, 0.63b 0.72d 0.38l	3
19	81784	(000000–	) Cable, Glv .13d 015.8l .50eye /.50eye	1
20	360801	(000000–	) Sleeve, 0.31b 0.50d 0.3l, Ss	3
21	39308	(000000–	) Screw, Soc, M8 X 1.25 X 25, 12.9	1
22	41445	(000000–	) Screw, Soc, M8 X 1.25 X 35, 12.9	1
23	39349	(000000–	) Washer, Flat, 0.31 Sae	2
24	08709	(000000–	) Nut, Hex, Lock, M8 X 1.25, NI	2
25	09028	(000000–	) Screw, Hex, M10 X 1.5 X 25, Ss	3
26	09740	(000000–	) Screw, Hex, M8 X 1.25 X 20, Ss	6
27	1023314	(000000–	) Door Wldt, Brush, Lh	1
28	59195	(000000–	) Latch, Hook	1
29	09007	(000000–	) Screw, Hex, M6 X 1.0 X 25, Ss	2
30	41185	(000000–	) Washer, Flat, Belleville, .25	5
31	379870	(000000–	) Screw, Hex, M12 X 1.75 X 55, Ss	1
32	07788	(000000–	) Nut, Hex, Std, M12 X 1.75, Ss	1
33	41619	(000000–	) Washer, Flat, 0.56b 1.38d .11, Ss	1
34	1024576	(000000–	) Hinge, .50pin .19 4.0w 06.0l 3/0.44sl	1
35	36328	(000000–	) Washer, Flat, Belleville, .50	1
36	1039348	(000000–	) Sleeve, 0.49b 0.68d 1.2l [304ss]	1

**Fig. 65 – Solution Tank Group**

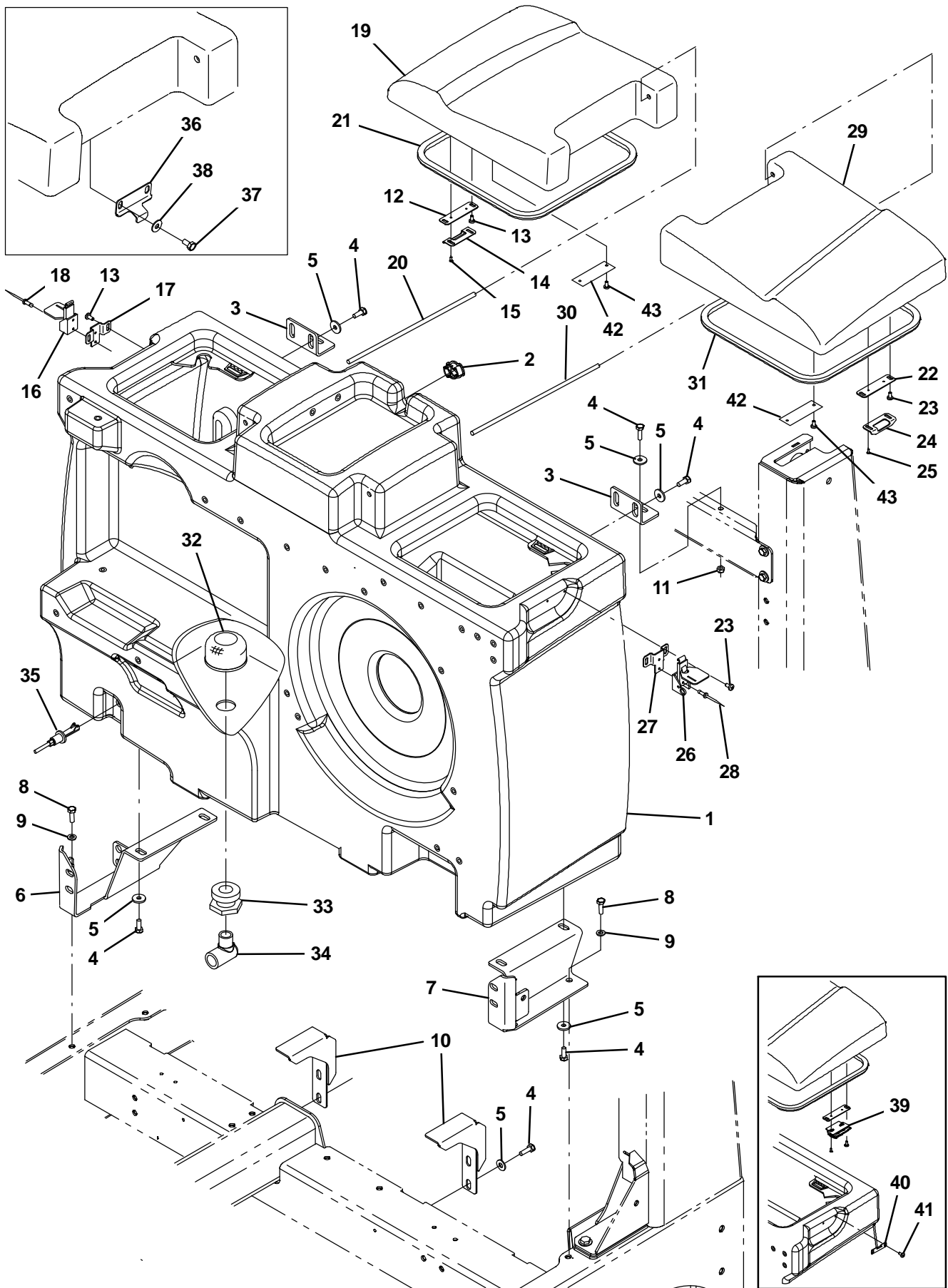


Fig. 65 – Solution Tank Group

Ref.	Part No.	Serial Number	Description	Qty.
1	1027381	(002413– )	Tank, Soltn, W/ Label [M20]	1
1	9004117	(000000–002412 )	Tank Kit, Soltn, W/ Bracket, Replmt	1
2	390994	(000000– )	Plug, Hole, Soltn Tank, Blk Pyu	1
3	1020209	(000000– )	Angle, Sppt, Tank, Rear	2
4	09740	(000000– )	Screw, Hex, M8 X 1.25 X 20, Ss	12
5	1017218	(000000– )	Washer, Flat, 0.32b 1.00d .12, Ss	12
6	1040306	(000000– )	Bracket Wldt, Tank, Soltn, Rh	1
7	1024591	(000000– )	Bracket, Tank, Soltn, Lh	1
8	09010	(000000– )	Screw, Hex, M8 X 1.25 X 25, Ss	4
9	39349	(000000– )	Washer, Flat, 0.31 Sae	4
10	1024389	(000000– )	Bracket, Soltn, Tank, Cntr	2
11	08713	(000000– )	Nut, Hex, Lock, M8 X 1.25, NI, Ss	2
▽	9003069	(000000– )	Cover Kit, Soltn Tank, Rh [M20 & T20]	1
▲▽	9005165	(000000– )	Latch Kit, Cover, Soltn, Replmt[M20/T20]	1
▲▲	12 1039757	(002426– )	Plate, Mtg, Latch	1
▲▲	13 382320	(000000– )	Screw, Pan, Phl, 12–16 X 0.50, F/ Plstc	4
▲▲	14 1048474	(002798– )	Catch, Latch, Tank Cover	1
▲▲	15 222267	(002798– )	Screw, Pan, Phl, 06–20 X 0.50, Fmg/Ab	2
▲▲	16 367949	(002798– )	Latch	1
▲▲	17 1048512	(002798– )	Bracket, Mtg, Latch, Tank Cover	1
▲▲	18 08875	(002798– )	Rivet, Blind, .125d X 0.54 X .25d, Alm	2
▲	19 1022176	(000000– )	Cover, Tank, Soltn, Rh, Trimmed	1
▲	20 1047098	(000000– )	Bar, Rnd, Plstc, 0.31d 12.5l	1
▲	21 1038805	(000000– )	Seal, Bulb, Str, .50Hi .50W 047.2L, Adh	1
▽	9003071	(000000– )	Cover Kit, Tank, Soltn, Rh, Replmt, Ce (Japan and CE Only)	1
▲▽	9005165	(000000– )	Latch Kit, Cover, Soltn, Replmt[M20/T20]	1
▲▲	12 1039757	(002426– )	Plate, Mtg, Latch	1
▲▲	13 382320	(000000– )	Screw, Pan, Phl, 12–16 X 0.50, F/ Plstc	4
▲▲	14 1048474	(002798– )	Catch, Latch, Tank Cover	1
▲▲	15 222267	(002798– )	Screw, Pan, Phl, 06–20 X 0.50, Fmg/Ab	2
▲▲	16 367949	(002798– )	Latch	1
▲▲	17 1048512	(002798– )	Bracket, Mtg, Latch, Tank Cover	1
▲▲	18 08875	(002798– )	Rivet, Blind, .125d X 0.54 X .25d, Alm	2
▲	19 1031233	(000000– )	Cover, Tank, Soltn, Rh, Trimmed, Ce (Japan and CE Only)	1
▲	20 1047098	(000000– )	Bar, Rnd, Plstc, 0.31d 12.5l	1
▲	21 1038805	(000000– )	Seal, Bulb, Str, .50Hi .50W 047.2L, Adh	1

(CONTINUED)

# STANDARD PARTS

Fig. 65 – Solution Tank Group

Ref.	Part No.	Serial Number	Description	Qty.
▽	9003068	(000000–	) Cover Kit, Tank, Soltn, Lh, Replmt	1
▲▽	9005165	(000000–	) Latch Kit, Cover, Soltn, Replmt[M20/T20]	1
▲▲	22 1039757	(002426–	) Plate, Mtg, Latch	1
▲▲	23 382320	(000000–	) Screw, Pan, Phl, 12–16 X 0.50, F/ Plstc	4
▲▲	24 1048474	(002798–	) Catch, Latch, Tank Cover	1
▲▲	25 222267	(002798–	) Screw, Pan, Phl, 06–20 X 0.50, Fmg/Ab	2
▲▲	26 367949	(002798–	) Latch	1
▲▲	27 1048512	(002798–	) Bracket, Mtg, Latch, Tank Cover	1
▲▲	28 08875	(002798–	) Rivet, Blind, .125d X 0.54 X .25d, Alm	2
▲	29 1022182	(000000–	) Cover, Tank, Soltn, Lh, Trimmed	1
▲	30 1047098	(000000–	) Bar, Rnd, Plstc, 0.31d 12.5l	1
▲	31 1038805	(000000–	) Seal, Bulb, Str, .50Hi .50W 047.2L, Adh	1
▽	9003070	(000000–	) Cover Kit, Tank, Soltn, Lh, Replmt, Ce (Japan and CE Only)	1
▲▽	9005165	(000000–	) Latch Kit, Cover, Soltn, Replmt[M20/T20]	1
▲▲	22 1039757	(002426–	) Plate, Mtg, Latch	1
▲▲	23 382320	(000000–	) Screw, Pan, Phl, 12–16 X 0.50, F/ Plstc	4
▲▲	24 1048474	(002798–	) Catch, Latch, Tank Cover	1
▲▲	25 222267	(002798–	) Screw, Pan, Phl, 06–20 X 0.50, Fmg/Ab	2
▲▲	26 367949	(002798–	) Latch	1
▲▲	27 1048512	(002798–	) Bracket, Mtg, Latch, Tank Cover	1
▲▲	28 08875	(002798–	) Rivet, Blind, .125d X 0.54 X .25d, Alm	2
▲	29 1031235	(000000–	) Cover, Tank, Soltn, Lh, Trimmed, Ce (Japan and CE Only)	1
▲	30 1047098	(000000–	) Bar, Rnd, Plstc, 0.31d 12.5l	1
▲	31 1038805	(000000–	) Seal, Bulb, Str, .50Hi .50W 047.2L, Adh	1
	32 1027290	(000000–	) Filter, Soltn, 20mesh, Pm12 3.1d 02.6l	1
	33 377349	(000000–	) Fitting, Plstc, Pf12/Pf12, Bh	1
	34 69785	(000000–	) Fitting, Plstc, E90, Pf12/Pm12	1
	35 385685	(000000–	) Sensor, Level, Liq, 14vdc 01a .62–11	1
	36 1020428	(000000–002425 )	Bracket, Latch, Cover	2
	37 09744	(000000–002425 )	Screw, Hex, M6 X 1.00 X 12, Ss	4
	38 01684	(000000–002425 )	Washer, Flat, 0.27b 0.69d .05, Ss	4
	39 1030617	(002426–002797 )	Latch, Cover	2
	40 1029748	(002426–002797 )	Bracket, Keeper, Latch	2
	41 382320	(002426–002797 )	Screw, Pan, Phl, 12–16 X 0.50, F/ Plstc	4
	42 1017101	(000000–	) Plate, Label, Soltn Tank (ec–H20 only)	2
	43 360973	(000000–	) Screw, Pan, 12–16 X 0.50, F/ Plstc (ec–H20 only)	4



**Fig. 66 – Solution Tank Drain Group**

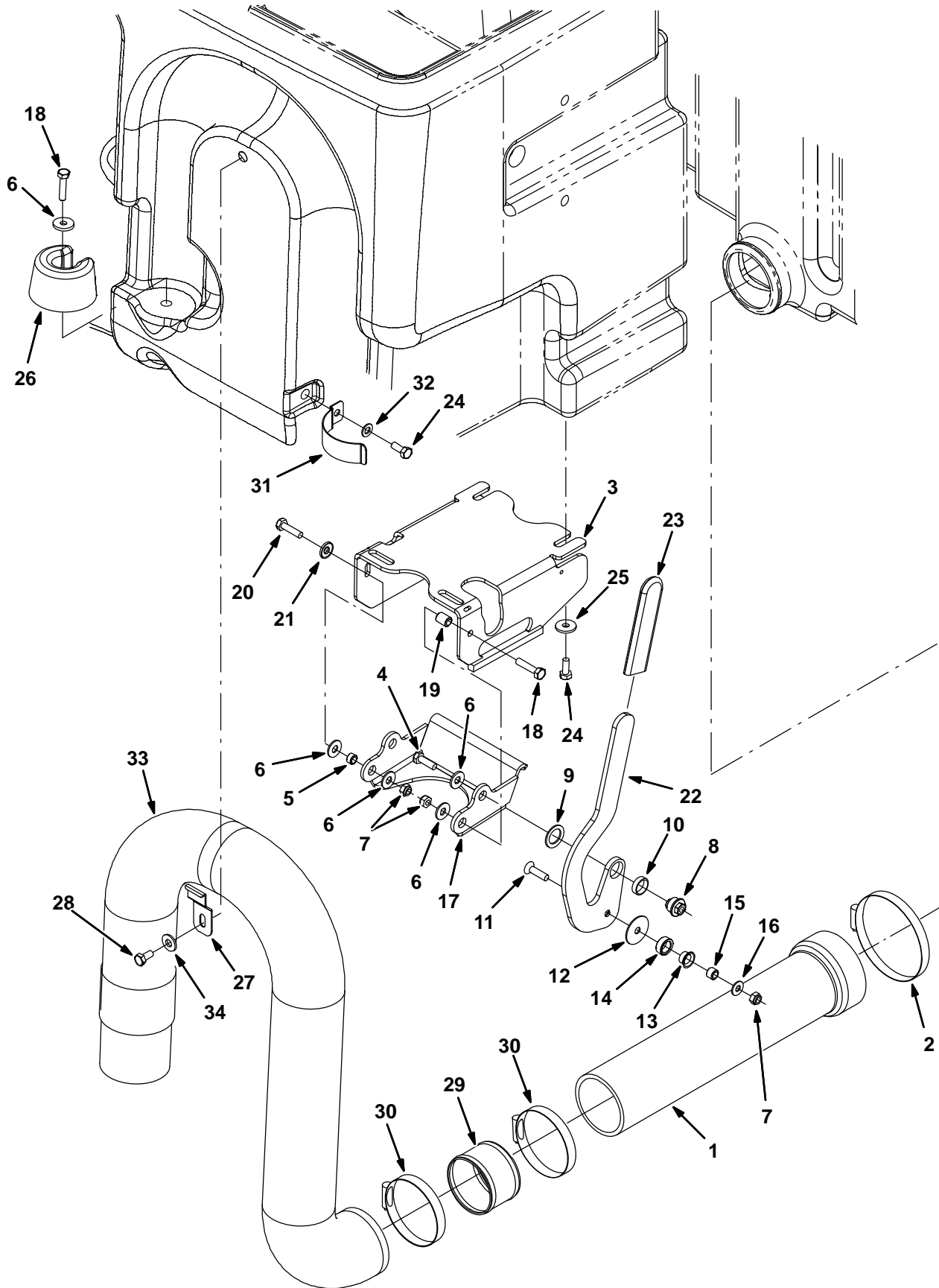


Fig. 66 – Solution Tank Drain Group

Ref.	Part No.	Serial Number	Description	Qty.
1	9003793	(000000–	) Tube Kit, Tank, Soltn, Replmt	1
2	23498	(000000–	) Clamp, Hose, Wormdrive, 3.56–4.50d, .50w	1
3	1042003	(000000–	) Mount Wldt, Valve, Pinch, Rh	1
4	39277	(000000–	) Screw, Hex, M8 X 1.25 X 25, 8.8	1
5	222516	(000000–	) Sleeve, P/M, 0.31b 0.50d 0.3l [430ss]	1
6	32491	(000000–	) Washer, Flat, 0.31, Std	5
7	08713	(000000–	) Nut, Hex, Lock, M8 X 1.25, NI, Ss	3
8	1024599	(000000–	) Bushing, Eccentric, Adj	1
9	1026051	(000000–	) Washer, Flat, 0.79b 1.18d .06, Nyl	1
10	74090	(000000–	) Bushing, Sleeve, 0.75b 0.88d 0.25l	1
11	79506	(000000–	) Screw, Flt, M8 X 1.25 X 30, Ss	1
12	1028701	(000000–	) Washer, Thrust, 0.34b 1.50d .06	1
13	15648	(000000–	) Bushing, Flng, 0.50b 0.59d 0.38l	1
14	1028691	(000000–	) Roller, Brg	1
15	1028690	(000000–	) Tube, 0.50d 0.32b 00.4l, Ss	1
16	1017218	(000000–	) Washer, Flat, 0.32b 1.00d .12, Ss	1
17	1024535	(000000–	) Arm, Pinch	1
18	06955	(000000–	) Screw, Hex, M8 X 1.25 X 35, 8.8	2
19	80395	(000000–	) Sleeve, P/M, 0.31b 0.50d 0.7l [430ss]	1
20	76570	(000000–	) Screw, Hex, M8 X 1.25 X 30, 8.8	1
21	41186	(000000–	) Washer, Flat, Belleville, .31	1
22	1026727	(000000–	) Handle, Valve, Pinch, Rh	1
23	1023502	(000000–	) Grip, Handle	1
24	09740	(000000–	) Screw, Hex, M8 X 1.25 X 20, Ss	5
25	1017218	(000000–	) Washer, Flat, 0.32b 1.00d .12, Ss	4
26	1022137	(000000–	) Plug, Hose, Pyu	1
27	1025480	(000000–	) Bracket, Retaining, Hose	1
28	15675	(000000–	) Screw, Hex, M8 X 1.25 X 16, Ss	1
29	1041953	(000000–	) Tube, 2.90id 3.00od 02.4l, Ss	2
30	43555	(000000–	) Clamp, Hose, Wormdrive, 2.50–3.50d, .50w	2
31	1024558	(000000–	) Strap, Retaining, Hose	1
32	39349	(000000–	) Washer, Flat, 0.31 Sae	1
33	1019424	(000000–	) Hose, Drain, 3.00id X 48.0l	1
34	01685	(000000–	) Washer, Flat, 0.31, Ss	2

**Fig. 67 – Solution Control Group**

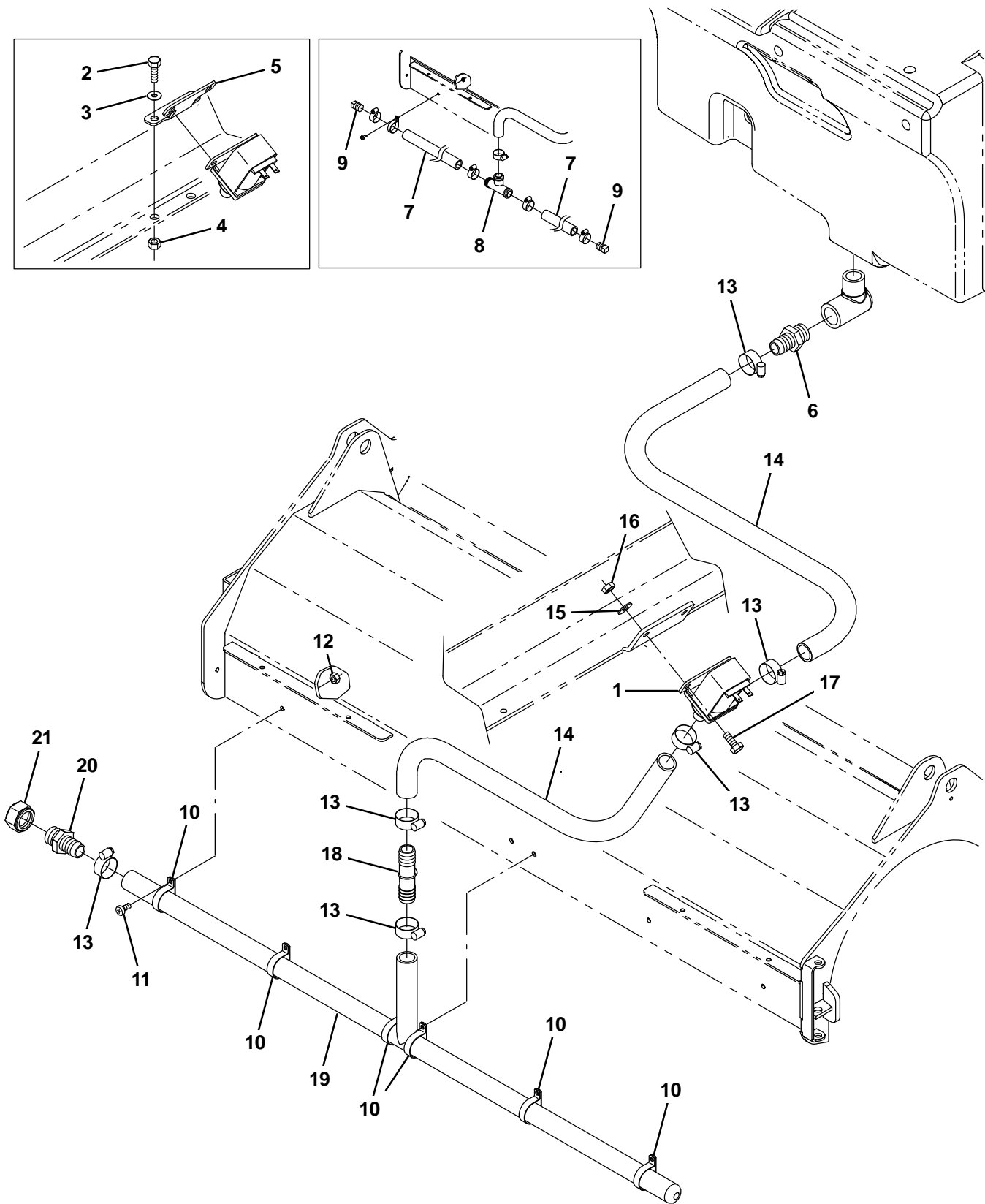


Fig. 67 – Solution Control Group

Ref.	Part No.	Serial Number	Description	Qty.
1	1067700	(000000– )	Valve Assy, Water, Solenoid , 12vdc	1
2	08716	(000000–002241 )	Screw, Hex, M6 X 1.0 X 20, Ss	2
3	01684	(000000–002241 )	Washer, Flat, 0.25, Ss	2
4	08712	(000000–002241 )	Nut, Hex, Lock, M6 X 1.0, Ss, NI	2
5	1028074	(000000–002241 )	Bracket, Mtg, Valve	1
6	79273–2	(000000– )	Fitting, Plstc, Str, Bm12/Pm12	1
7	1029185	(000000–002143 )	Tube, Distribution, Water	2
8	41315	(000000–002143 )	Fitting, Plstc, Tee, Bm12/Bm12/Bm12	1
9	17521	(000000–002143 )	Fitting, Pipe, Plug, Pm08, Sq Head	2
10	50544	(000000– )	Clamp, Cable, Ss, 1.12d X 0.38w, 1h	6
11	09200	(000000– )	Screw, Pan, M5 X 0.8 X 12, Ss	6
12	09739	(000000– )	Nut, Hex, Lock, M5 X 0.8, NI, Ss	6
13	63810	(000000– )	Clamp, Hose, Wormdrive, 0.56–1.06d, .56w	8
14	1015045	(000000– )	Hose, Afmkt, Pvc, Brd 0.75id 08ft	1
15	01684	(000000– )	Washer, Flat, 0.25, Ss	2
16	08712	(000000– )	Nut, Hex, Lock, M6 X 1.0, Ss, NI	2
17	08716	(000000– )	Screw, Hex, M6 X 1.0 X 20, Ss	2
18	1038074	(002144– )	Fitting, Plstc, Str, Bm12/Bm12	1
19	1036997	(002144– )	Manifold, Bar, Spray, 37.5inch	1
20	79273–2	(002144– )	Fitting, Plstc, Str, Bm12/Pm12	1
21	1039064	(002144– )	Fitting, Plstc, Cap, Pf12 Hex	1

**Fig. 68 – Recovery Tank Group**

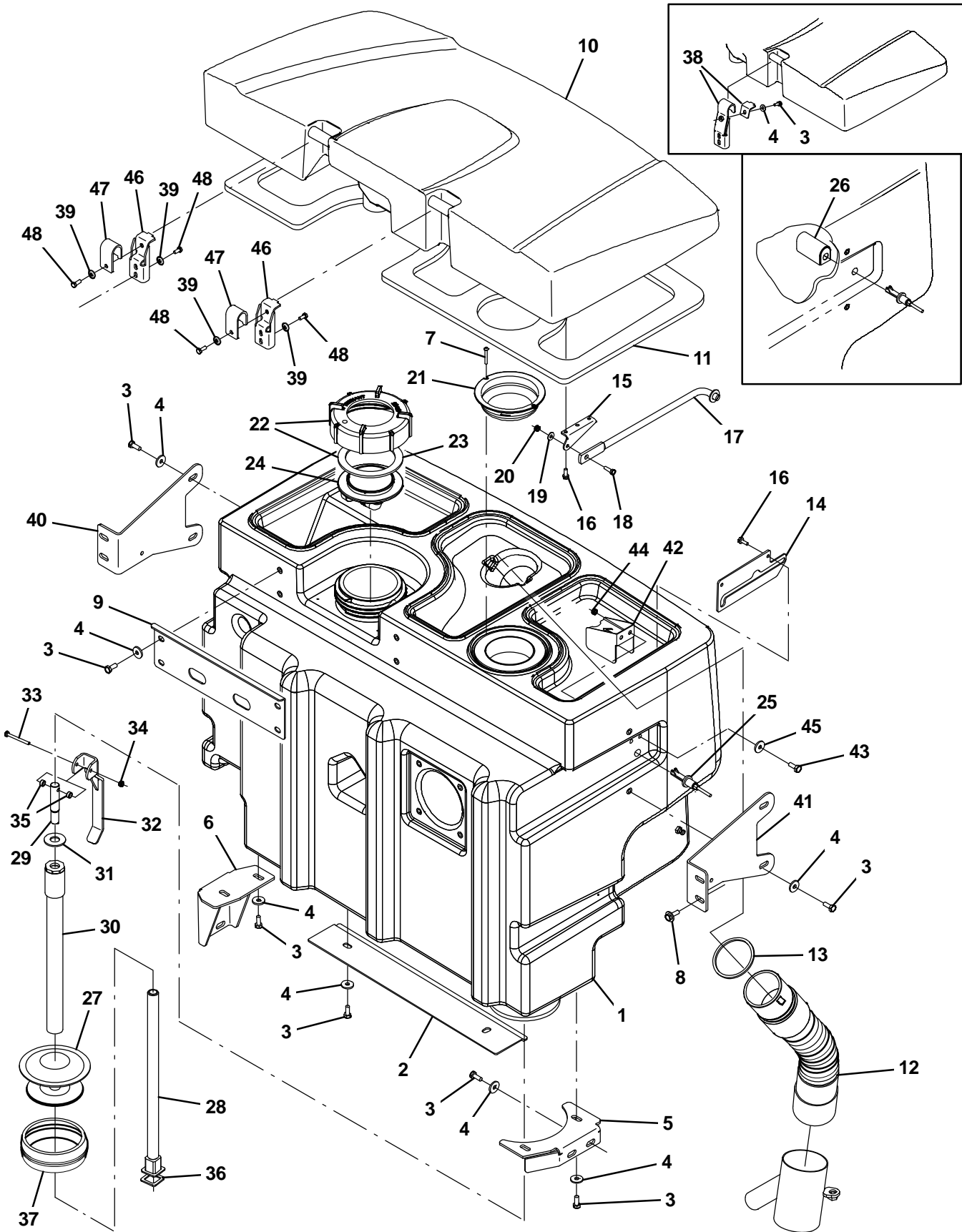


Fig. 68 – Recovery Tank Group

Ref.	Part No.	Serial Number	Description	Qty.	
1	1021419	(000000– )	Tank, Recvy, Trimmed	1	
2	1024403	(000000– )	Plate, Tank, Bottom	1	
3	09740	(000000– )	Screw, Hex, M8 X 1.25 X 20, Ss	17	
4	1017218	(000000– )	Washer, Flat, 0.32b 1.00d .12, Ss	15	
5	1020335	(000000– )	Bracket, Sppt, Tank, Lh	1	
6	1020331	(000000– )	Bracket, Sppt, Tank, Rh	1	
7	382320	(000000– )	Screw, Pan, #12–16 X 0.50, F/ Plstc	2	
8	1037346	(000000– )	Screw, Hex, M8 X 1.25 X 25, 9.8, Sems	4	
9	1021090	(000000– )	Plate, Sppt, Tank	1	
10	1022167	(000000– )	Cover, Tank, Recvy, Trimmed	1	
11	1021879	(000000– )	Gasket, Cover, Recvy Tank	1	
12	1031610	(000000– )	Hose Assy, Sqge	1	
13	1021920	(000000– )	Gasket, 3.23id 3.63od .16th, Ure	1	
14	1025620	(000000– )	Plate, Mtg, Prop Rod	1	
15	1025619	(000000– )	Bracket, Mtg, Prop Rod	1	
16	1046798	(000000– )	Screw, Hex, .25–14 X 0.75, Fmg/Ab, Ss	4	
17	54615	(000000– )	Arm Wldt, Safety, Sppt, Seat, .38d 10.11	1	
18	08716	(000000– )	Screw, Hex, M6 X 1.0 X 20, Ss	1	
19	01684	(000000– )	Washer, Flat, 0.25, Ss	1	
20	08712	(000000– )	Nut, Hex, Lock, M6 X 1.0, Ss, NI	1	
21	1026014	(000000– )	Screen, Vacuum	1	
▽	22	24358	(000000– )	Cap Assy, Tank, Drain	1
▲	23	1031699	(000000– )	Gasket, 4.05id 5.29od .19 [Buna]	1
	24	86636	(000000– )	Cover, Tank	1
	25	385685	(000000– )	Sensor, Level, Liq, 14vdc 01a .62–11	1
	26	9003449	(000000–002024 )	Cover Kit, Switch, Float, Repair	1
▽		9003313	(000000– )	Plug Kit, Drain, Recvy, Ci [M20 & T20]	1
▲	27	1022370	(000000– )	Plug, Drain, Expandable, 4.75–6.00	1
▲	28	1028328	(000000– )	Tube Wldt, Plug, Drain	1
▲	29	1028173	(000000– )	Pin, Lift, Drain	1
▲	30	1028570	(000000– )	Tube Assy, Plug, Drain	1
▲	31	1028522	(000000– )	Washer, Flat, .78b 1.75d .18, Ss	1
▲	32	1028211	(000000– )	Handle Wldt, Drain	1
▲	33	58979	(000000– )	Screw, Hex, M6 X 1.0 X 55, Ss	1
▲	34	08712	(000000– )	Nut, Hex, Lock, M6 X 1.0, Ss, NI	1
▲	35	360801	(000000– )	Sleeve, 0.31b 0.50d 0.3l, Ss	2
▲	36	1035044	(000000– )	Seal, Shaft, Drain Plug	1
▲	37	1039652	(000000– )	Seal, Plug, Drain, Nitrile	1
	38	9003893	(000000–002418 )	Hinge Kit, Cover, Tank, Recvy, Replmt	2
	39	32491	(002419– )	Washer, Flat, 0.31, Std	6
	40	1038941	(000000– )	Bracket, Sppt, Tank, Rh	1
	41	1038927	(000000– )	Bracket, Sppt, Tank, Lh	1
	42	1037816	(002025– )	Bracket, Protector, Float Switch	1
	43	09007	(002025– )	Screw, Hex, M6 X 1.00 X 25, Ss	2
	44	08712	(002025– )	Nut, Hex, Lock, M6 X 1.00, Ss, NI	2
	45	76426	(002025– )	Washer, Sealing, 0.28b 0.75d Ss, Neo	2
	46	1039072	(002419– )	Bracket, Sppt, Cover, Tank, Recvy	2
	47	1039049	(002419– )	Bracket, Mtg, Cover, Recvy Tank	2
	48	16735	(002419– )	Screw, Hex, M8 X 1.25 X 16, 8.8	6

Fig. 69 – Recovery Tank Drain Group

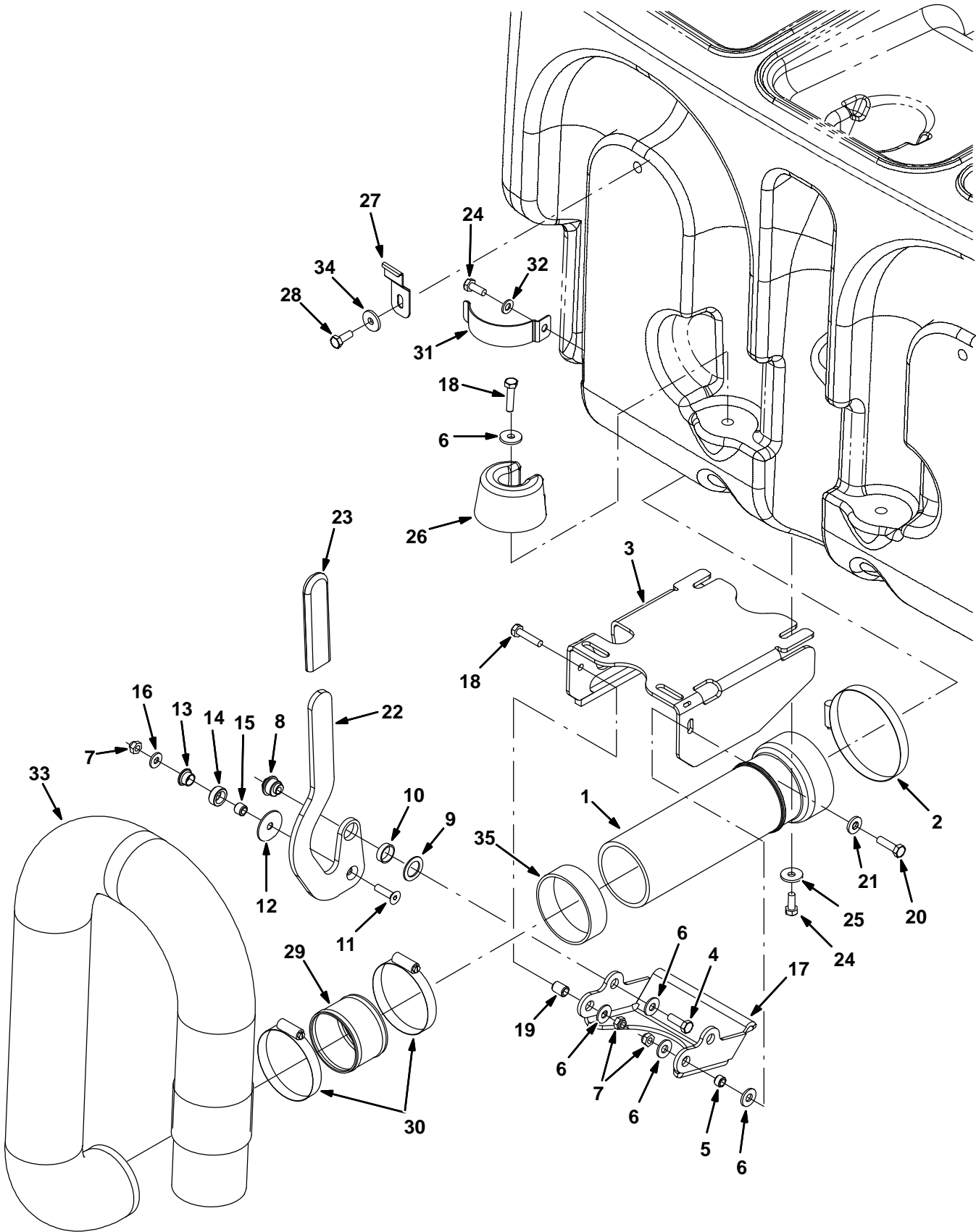


Fig. 69 – Recovery Tank Drain Group

Ref.	Part No.	Serial Number	Description	Qty.
1	9003794	(000000–	) Tube Kit, Tank, Recvy, Replmt	1
2	23498	(000000–	) Clamp, Hose, Wormdrive, 3.56–4.50d, .50w	1
3	1042010	(000000–	) Mount Wldt, Valve, Pinch, Lh	1
4	39277	(000000–	) Screw, Hex, M8 X 1.25 X 25, 8.8	1
5	222516	(000000–	) Sleeve, P/M, 0.31b 0.50d 0.3l [430ss]	1
6	32491	(000000–	) Washer, Flat, 0.31, Std	5
7	08713	(000000–	) Nut, Hex, Lock, M8 X 1.25, NI, Ss	3
8	1024599	(000000–	) Bushing, Eccentric, Adj	1
9	1026051	(000000–	) Washer, Flat, 0.79b 1.18d .06, Nyl	1
10	74090	(000000–	) Bushing, Sleeve, 0.75b 0.88d 0.25l	1
11	79506	(000000–	) Screw, Flt, M8 X 1.25 X 30, Ss	1
12	1028701	(000000–	) Washer, Thrust, 0.34b 1.50d .06	1
13	15648	(000000–	) Bushing, Flng, 0.50b 0.59d 0.38l	1
14	1028691	(000000–	) Roller, Brg	1
15	1028690	(000000–	) Tube, 0.50d 0.32b 00.4l, Ss	1
16	1017218	(000000–	) Washer, Flat, 0.32b 1.00d .12, Ss	1
17	1024535	(000000–	) Arm, Pinch	1
18	06955	(000000–	) Screw, Hex, M8 X 1.25 X 35, 8.8	2
19	80395	(000000–	) Sleeve, P/M, 0.31b 0.50d 0.7l [430ss]	1
20	76570	(000000–	) Screw, Hex, M8 X 1.25 X 30, 8.8	1
21	41186	(000000–	) Washer, Flat, Belleville, .31	1
22	1027039	(000000–	) Handle, Valve, Pinch, Lh	1
23	1023502	(000000–	) Grip, Handle	1
24	09740	(000000–	) Screw, Hex, M8 X 1.25 X 20, Ss	5
25	1017218	(000000–	) Washer, Flat, 0.32b 1.00d .12, Ss	2
26	1022137	(000000–	) Plug, Hose, Pyu	2
27	1025480	(000000–	) Bracket, Retaining, Hose	1
28	15675	(000000–	) Screw, Hex, M8 X 1.25 X 16, Ss	1
29	1041953	(000000–	) Tube, 2.90id 3.00od 02.4l, Ss	1
30	43555	(000000–	) Clamp, Hose, Wormdrive, 2.50–3.50d, .50w	2
31	1024558	(000000–	) Strap, Retaining, Hose	1
32	39349	(000000–	) Washer, Flat, 0.31 Sae	1
33	1019424	(000000–	) Hose, Drain, 3.00id X 48.0l	1
34	01685	(000000–	) Washer, Flat, 0.31, Ss	2
35	1031309	(000000–	) Tube, Acrylic, Hose, Pinch	1

**Fig. 70 – Vacuum Fan Group, Scrubbing**

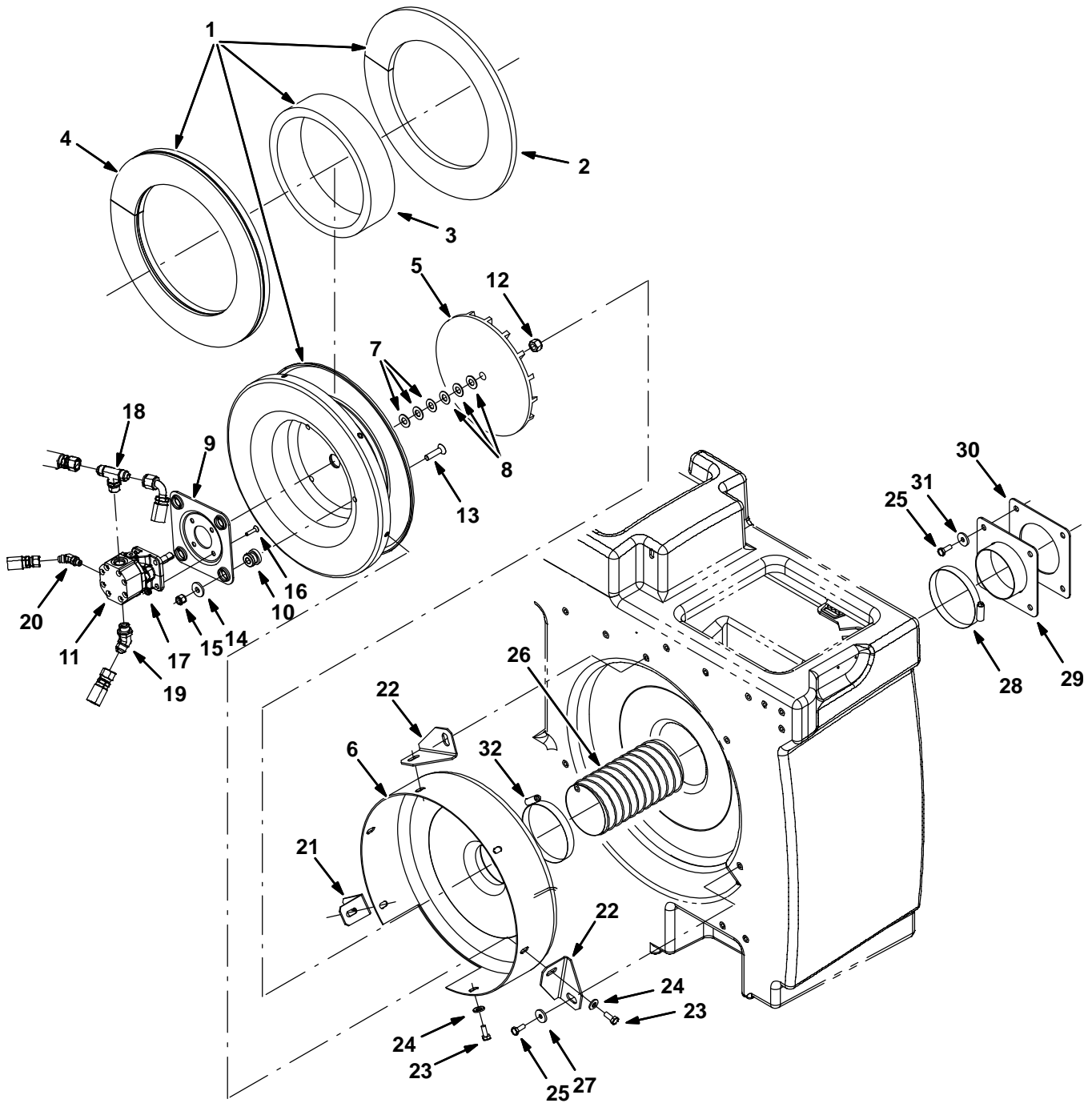


Fig. 70 – Vacuum Fan Group, Scrubbing

Ref.	Part No.	Serial Number	Description	Qty.
▽	9003455	(000000–	) Fan Kit, Scrub, Replmt [M20/T20]	1
▲▽	1 9002684	(000000–	) Housing Assy, Vacfan, Scrbr	1
▲▲	2 1025888	(000000–	) Insulation, Flame–Retardant, 0.50	1
▲▲	3 1025887	(000000–	) Insulation, Flame–Retardant, 0.75–0.88	1
▲▲	4 1025872	(000000–	) Insulation, Flame–Retardant, 0.75–0.88	1
▲	5 03922	(000000–	) Impeller, 9.5d, 18 Bl	1
▲	6 57189	(000000–	) Housing Wldt, Vacfan, Front [528]	1
▲	7 75456–3	(000000–	) Shim, Washer, 0.88d 0.51b .020	3
▲	8 75456–4	(000000–	) Shim, Washer, 0.88d 0.51b .060	3
▲	9 54275A	(000000–	) Bracket, Mtg, Motor	1
▲	10 54274	(000000–	) Isolator, Vib, Bshg, 1.1d 0.6l .4b 0.78h	4
▲▽	11 9003461	(000000–	) Motor Kit, Replmt [M20&T20]	1
▲▲	00954	(000000–	) Key, Sq, 0.12 X 0.12, 1.00l (Included With Motor)	1
▲▲	74233	(000000–	) Kit, Seal, Motor, Hyd, Gear[Barns]	1
▲▲	12 41130	(000000–	) Nut, Low Crown, .50–20	1
▲▲	13 54861	(000000–	) Screw, Flt, .38–16 X 1.50, Al	4
▲▲	14 1014563	(000000–	) Washer, Flat, 0.40b 1.12d .12, Ss	4
▲▲	15 36643	(000000–	) Nut, Hex, Lock, .38–16, Ni, Thin	4
▲▲	16 39534	(000000–	) Screw, Flt, .25–20 X 1.00, Al	4
▲▲	17 32981	(000000–	) Nut, Hex, Lock, .25–20, Ni	4
▲▲	18 49933	(000000–	) Fitting, Hyd, Tee, Jm08/Jm08/Om08, Br	1
▲▲	19 42226	(000000–	) Fitting, Hyd, E45, Jm08/Om08	1
▲▲	20 392609	(000000–	) Fitting, Hyd, E45, Jm06/Om04	1
▲	21 1020320	(000000–	) Angle, Sppt, Fan	1
▲	22 1024891	(000000–	) Bracket, Mtg, Fan	2
▲	23 16931	(000000–	) Screw, Hex, M8 X 1.25 X 20, 8.8	6
▲	24 41186	(000000–	) Washer, Flat, Belleville, .31	6
	25 09740	(000000–	) Screw, Hex, M8 X 1.25 X 20, Ss	7
	26 1022377	(000000–	) Hose, Flex, 4.00d, 24.0l	1
	27 1014563	(000000–	) Washer, Flat, 0.40b 1.12d .12, Ss	3
	28 79380	(000000–	) Clamp, Hose, Wormdrive, 3.75–4.62d, .62w	1
	29 1023754	(000000–	) Plate Wldt, Hose, Vacuum	1
	30 1024853	(000000–	) Gasket, Plt, Hose, Vacuum	1
	31 1017218	(000000–	) Washer, Flat, 0.32b 1.00d .12, Ss	4
	32 23498	(000000–	) Clamp, Hose, Wormdrive, 3.56–4.50D, .50W	1

Fig. 71 – Vacuum Fan Group, Sweeping

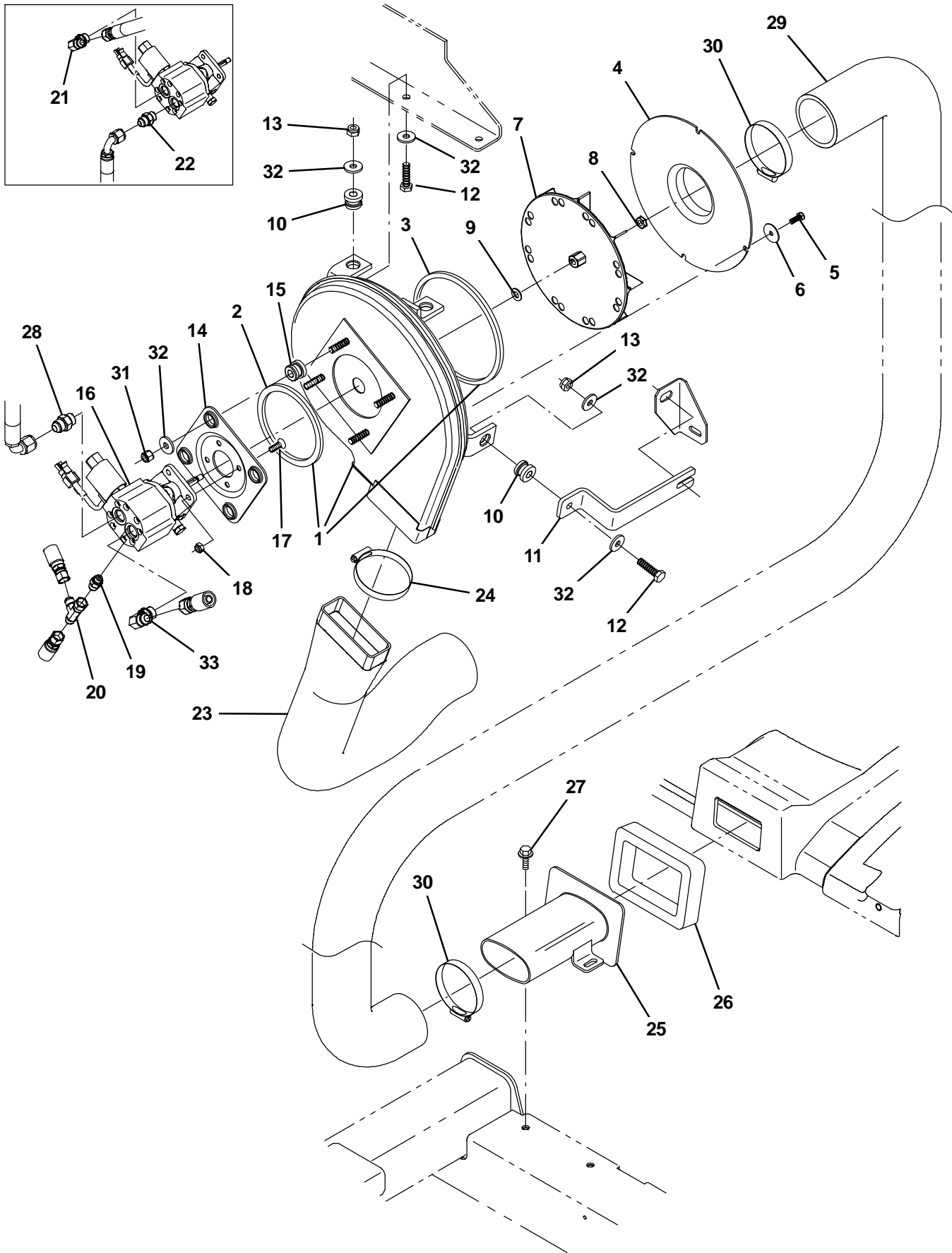


Fig. 71 – Vacuum Fan Group, Sweeping

Ref.	Part No.	Serial Number	Description	Qty.
▽	1	9002683	(000000– ) Housing Assy, Vacfan, Swpr	1
▲	2	59967	(000000– ) Seal, Ure, 0.38 0.75w 13.2l Adh	1
▲	3	59735	(000000– ) Seal, Ure, 0.38 0.75w 33.0l Adh	1
	4	1018216	(000000– ) Fan Wldt, Vac, Inlet	1
	5	34323	(000000– ) Screw, Hex, .25–20 X 0.75, NI	4
	6	41178	(000000– ) Washer, Flat, 0.25 Fender	4
	7	74454	(000000– ) Impeller, 9.00d X 1.40w X 0.376b	1
	8	31241	(000000– ) Nut, Hex, Lock, .31–24, NI, Thin	1
	9	32485	(000000– ) Washer, Flat, 0.38 Sae	1
	10	59649	(000000– ) Isolator, Vib, Bshg, 1.1d 0.6l .4b 0.78h	3
	11	1034388	(000000– ) Bar, Isolator, Vacfan [M20 2007]	1
	12	39285	(000000– ) Screw, Hex, M10 X 1.5 X 40, 8.8	3
	13	41430	(000000– ) Nut, Hex, Lock, M10 X 1.5, NI	3
	14	54275A	(000000– ) Bracket, Mtg, Motor	1
	15	54274	(000000– ) Isolator, Vib, Bshg, 1.1d 0.6l .4b 0.78h	4
	16	53485	(000000– ) Motor, Hyd, Gear, [Ex] .194 R 3000 (See Breakdowns)	1
	17	07810	(000000– ) Screw, Flt, M8 X 1.25 X 25, 10.9	4
	18	08709	(000000– ) Nut, Hex, Lock, M8 X 1.25, NI	4
	19	50960	(000000– ) Fitting, Hyd, Str, Jm06/Om04	1
	20	42215	(000000– ) Fitting, Hyd, Tee, Jf06/Jm06/Jm06, Run	1
	21	44868	(000000–001337 ) Fitting, Hyd, E90, Jm08/Om08	1
	22	44869	(000000–001337 ) Fitting, Hyd, Str, Jm08/Om08	1
	23	1025756	(000000– ) Muffler, Vacfan, 4.0id	1
	24	23498	(000000– ) Clamp, Hose, Wormdrive, 3.56–4.50d, .50w	1
	25	1025841	(000000– ) Tube, Transition, Casting	1
	26	1018209	(000000– ) Gasket, Hppr, Transition	1
	27	1037346	(000000– ) Screw, Hex, M8 X 1.25 X 25, 9.8, Sems	2
	28	44869	(001338– ) Fitting, Hyd, Str, Jm08/Om08	1
	29	1018252	(000000– ) Hose, Flex, Vacuum, 3.5d 32.0l	1
	30	23498	(000000– ) Clamp, Hose, Wormdrive, 3.56–4.50d, .50w	2
	31	36643	(000000– ) Nut, Hex, Lock, .38–16, NI, Thin	4
	32	1014563	(000000– ) Washer, Flat, 0.40b 1.12d .12, Ss	10
	33	44868	(001338– ) Fitting, Hyd, E90, Jm08/Om08	1

Fig. 72 - Hydraulic Schematic (000000-002699)

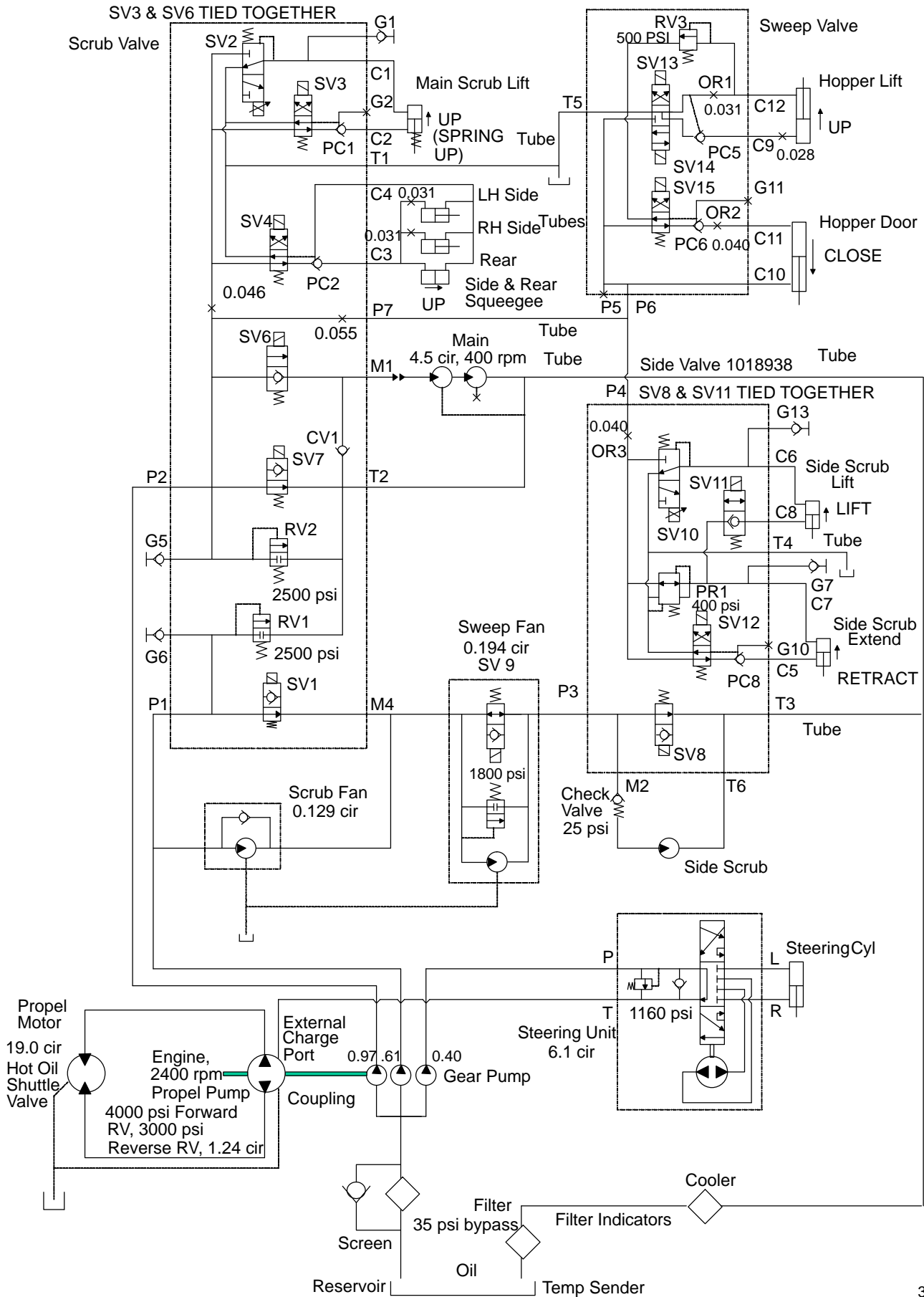
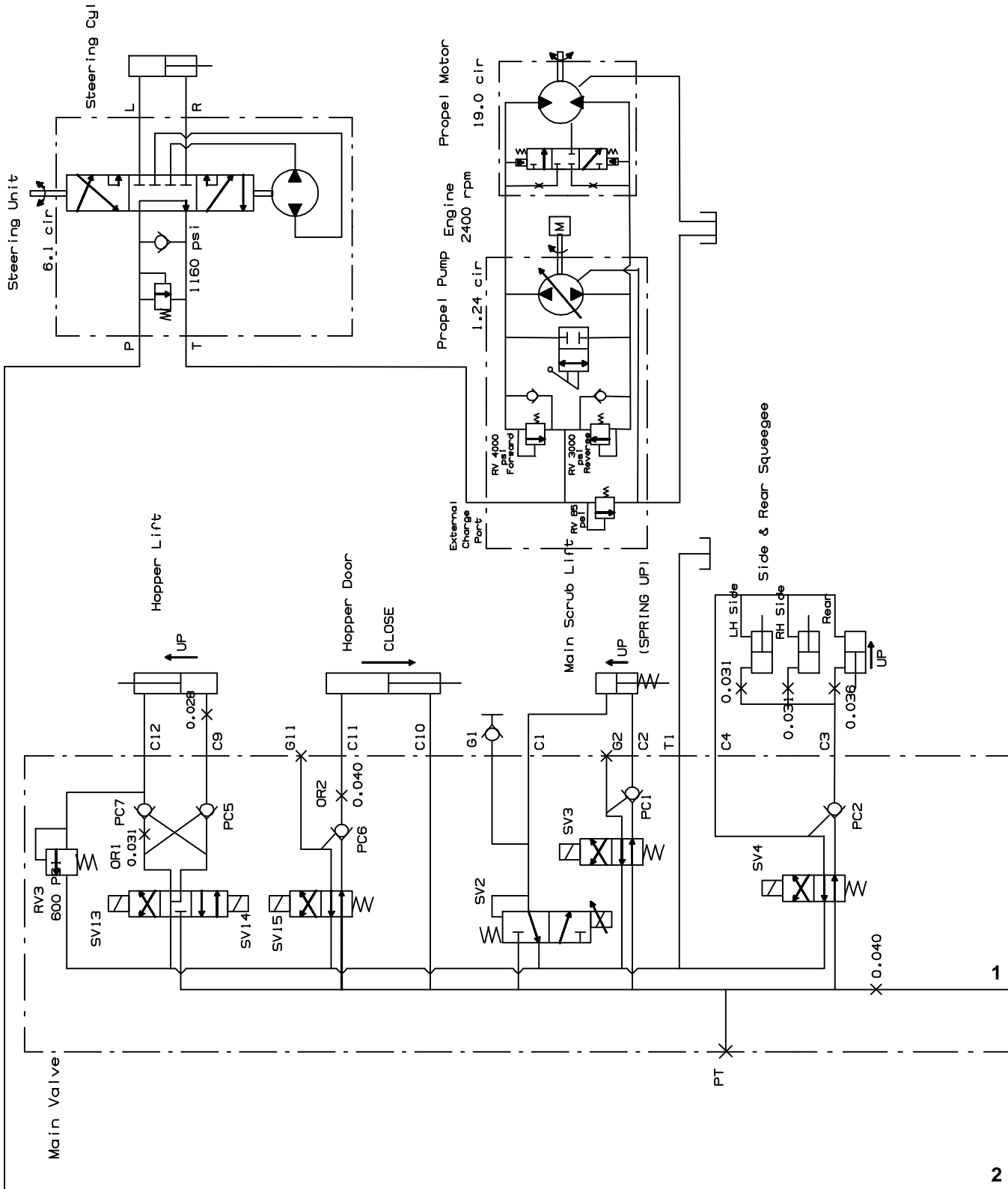


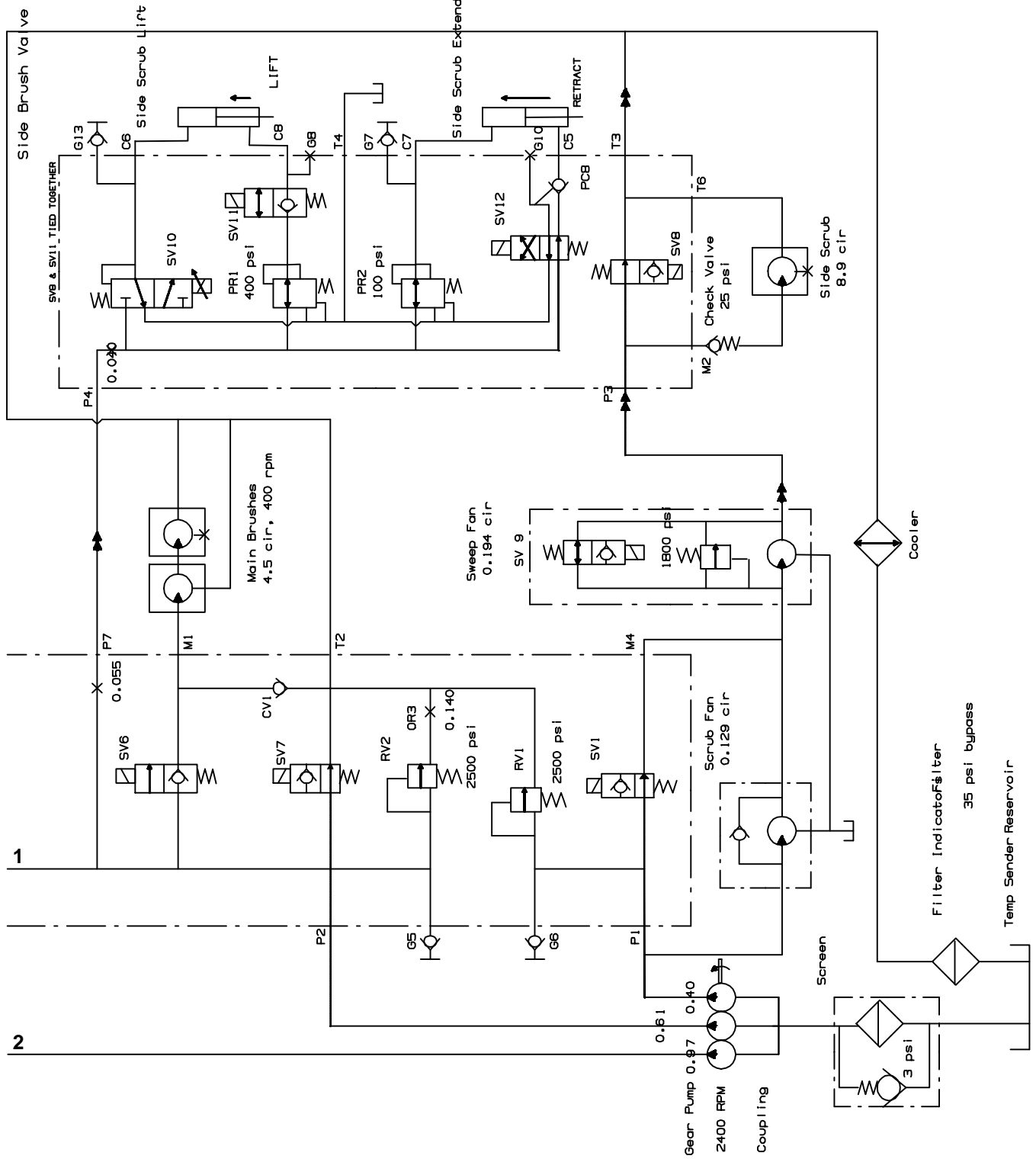


Fig. 73 – Hydraulic Schematic (002700-003297)



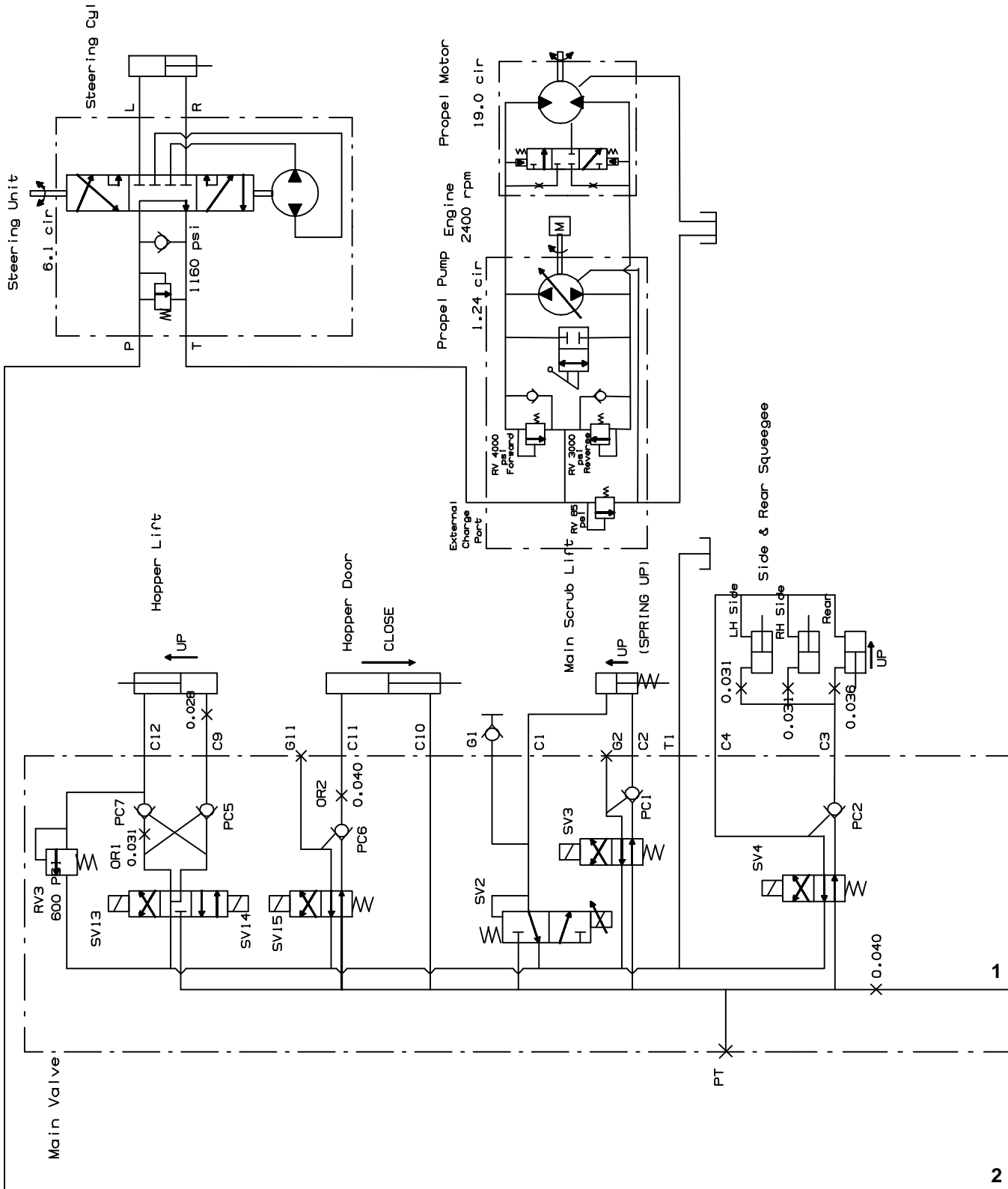
354453, 1018547 – M20

Fig. 73 – Hydraulic Schematic (002700-003297)



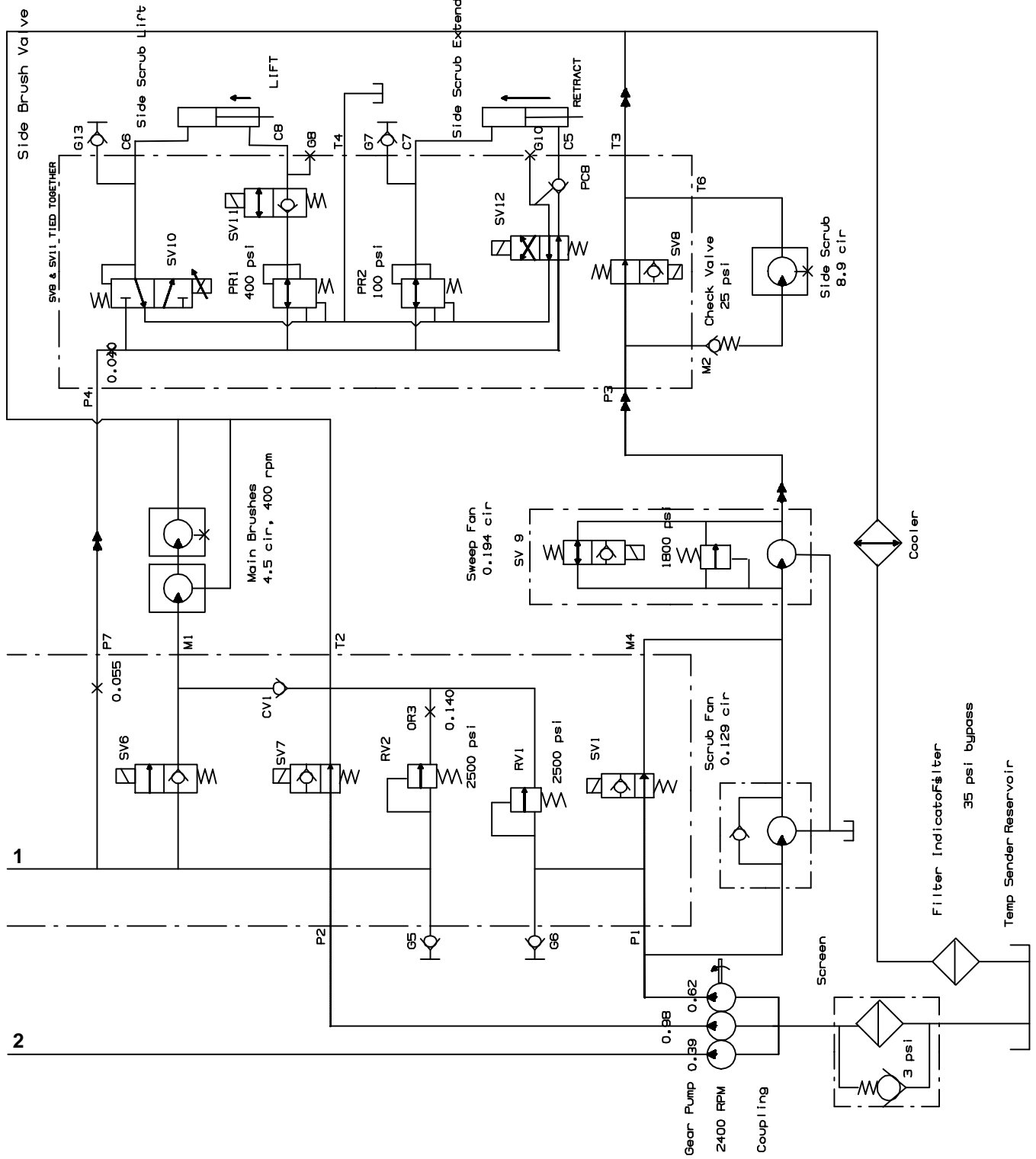
354453, 1018547 – M20

Fig. 74 – Hydraulic Schematic (003298- )



354453, 1018547 – M20

Fig. 74 – Hydraulic Schematic (003298– )



354453, 1018547 – M20

**Fig. 75 – Hydraulic Hose Group, Steering and Propel**

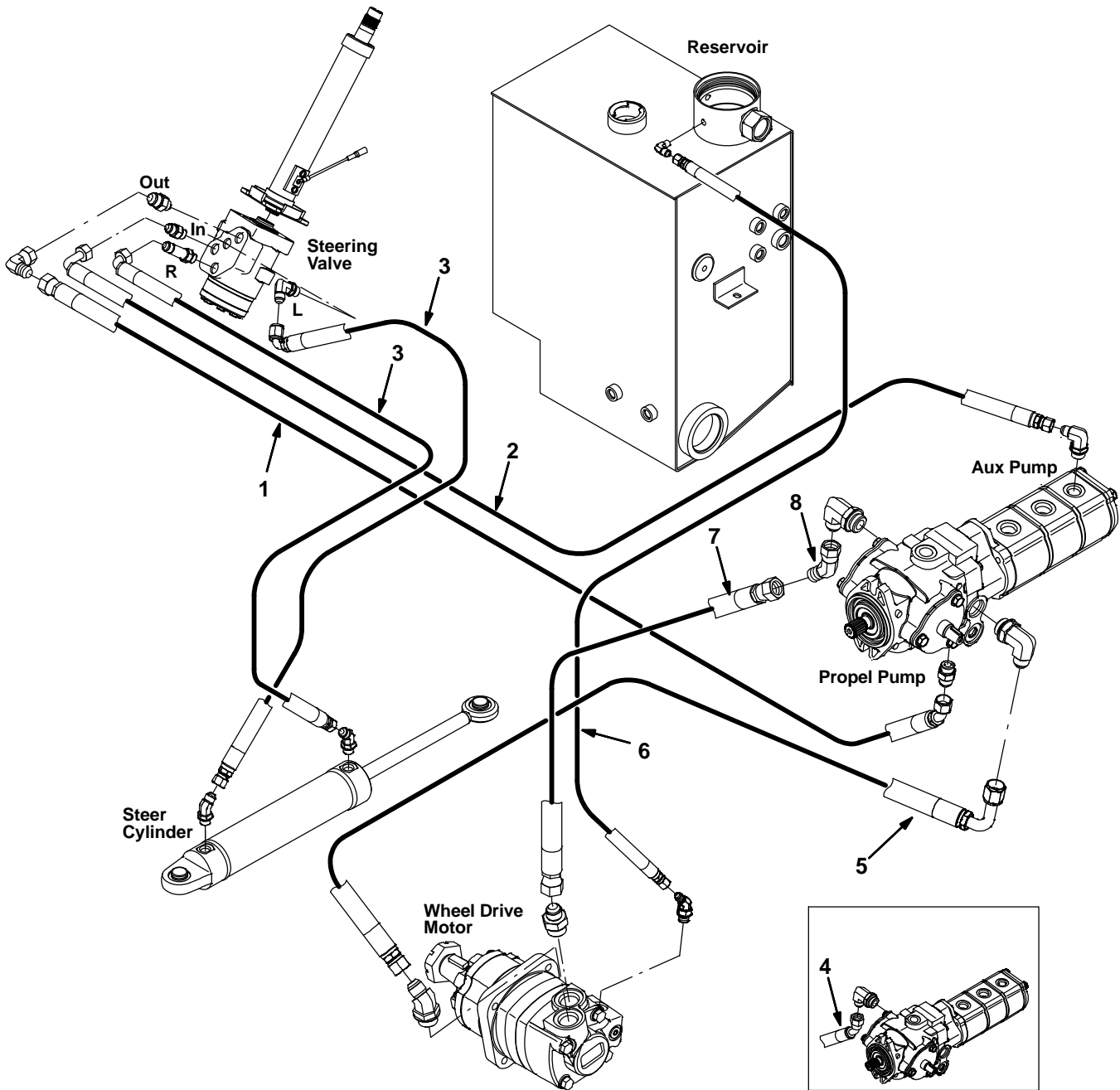


Fig. 75 – Hydraulic Hose Group, Steering and Propel

Ref.	Part No.	Serial Number	Description	Qty.
1	1023609	(000000–	) Hose, Hyd, Tc08, Jf08e45/Jf08str, 96.0	1
2	1023608	(000000–	) Hose, Hyd, Tc06, Jf06e90/Jf06str, 104.0	1
3	396221	(000000–	) Hose, Hyd, Tc06, Jf06e90/Jf06str, 040.0	2
4	1023489	(000000–002183	) Hose, Hyd, Spcl, Jf10e45/Jf10str, 58.0 (Replaced by 1039148)	1
5	1023488	(000000–	) Hose, Hyd, Spcl, Jf10e90/Jf10str, 63.0	1
6	1030404	(000000–	) Hose, Hyd,Med04, Jf04str/Jf04str, 066.0	1
7	1038569	(002184–	) Hose, Hyd, Spcl, Jf10str/Jf10str, 56.5	1
8	54017	(002184–	) Fitting, Hyd, E45, Jf10/Jm10	1

**Fig. 76 – Hydraulic Hose Group, Pump and Vacuum Fans**

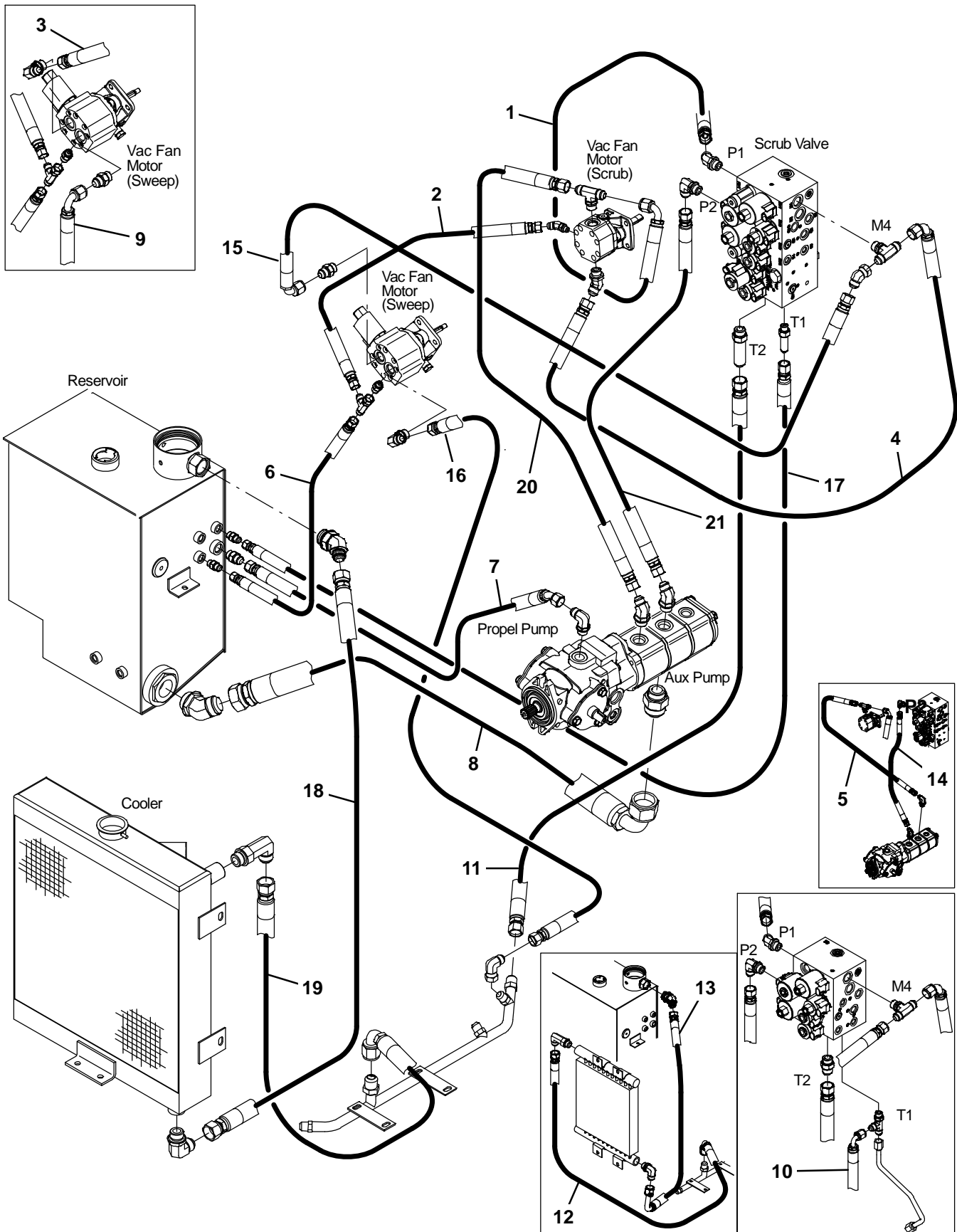


Fig. 76 – Hydraulic Hose Group, Pump and Vacuum Fans

Ref.	Part No.	Serial Number	Description	Qty.
1	71741	(000000– )	Hose, Hyd, Tc08, Jf08e90/Jf08str, 046.0	1
2	361044	(000000– )	Hose, Hyd, Med06, Jf06str/Jf06str, 018.0	1
3	381862	(000000–001337 )	Hose, Hyd, Tc08, Jf08str/Jf08str, 024.0	1
4	396255	(000000– )	Hose, Hyd, Tc08, Jf08str/Jf08e90, 031.0	1
5	1026645	(000000–003297 )	Hose, Hyd, Tc08, Jf08e45/Jf08str, 26.0	1
6	16431	(000000– )	Hose, Hyd, Med06, Jf06str/Jf06str, 022.0	1
7	1023607	(000000– )	Hose, Hyd, Med08, Jf08str /Jf08e45, 21.0	1
8	1023611	(000000– )	Hose, Hyd, Suc20, Jf20str /Jf20e90, 29.0	1
9	396266	(000000–001337 )	Hose, Hyd, Med08, Jf08e90/Jf08str, 031.0	1
10	71735	(000000–002699 )	Hose, Hyd, Med06, Jf06e90/Jf06str, 042.0	1
11	1025547	(000000–002699 )	Hose, Hyd, Med10, Jf10str/Jf10str, 41.0	1
11	1040655	(002700– )	Hose, Hyd, Med10, Jf10Str/Jf10Str, 036.0	1
12	396438	(000000–003038 )	Hose, Hyd, Tc12, Jf12e90/Jf12str, 044.0	1
13	1023487	(000000–003038 )	Hose, Hyd, Med12, Jf12e90/Jf12str, 50.0	1
14	1023606	(000000–003297 )	Hose, Hyd, Tc08, Jf08str/Jf08str, 21.0	1
15	381858	(001338–002699 )	Hose, Hyd, Tc08, Jf08e90/Jf08str, 024.0	1
15	1040216	(002700–005999 )	Hose, Hyd, Tc08, Jf08E90/Jf08Str, 029.0	1
15	71741	(006000– )	Hose, Hyd, Tc08, Jf08e90/Jf08str, 046.0	1
16	1036945	(001338– )	Hose, Hyd, Tc08, Jf08str/Jf08str, 031.0	1
17	71556	(002700– )	Hose, Hyd, Med06, Jf06Str/Jf06Str, 042.0	1
18	1050437	(003039–005999 )	Hose, Hyd, Med12, Jf12str/Jf12str, 052.0	1
18	1028145	(006000– )	Hose, Hyd, Med12, Jf12str/Jf12str, 066.0	1
19	1050436	(003039– )	Hose, Hyd, Med12, Jf12e90/Jf12str, 029.0	1
20	1026645	(003298– )	Hose, Hyd, Tc08, Jf08E45/Jf08Str, 026.0	1
21	1023606	(003298– )	Hose, Hyd, Tc08, Jf08Str/Jf08Str, 021.0	1

**Fig. 77 – Hydraulic Hose Group, Brush and Hopper**

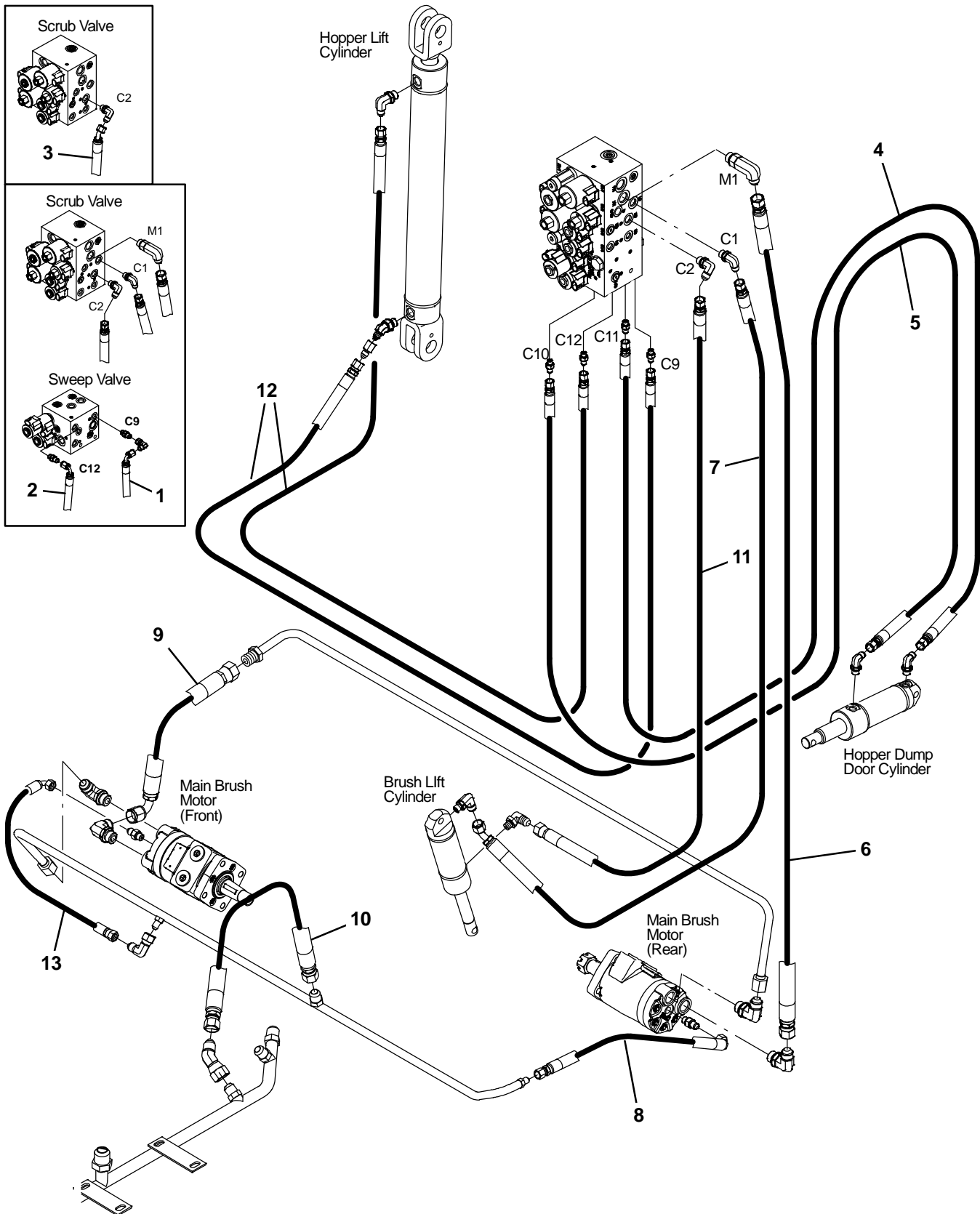


Fig. 77 – Hydraulic Hose Group, Brush and Hopper

Ref.	Part No.	Serial Number	Description	Qty.
1	1027320	(000000–002699 )	Hose, Hyd, Tc04, Jf04str /Jf04e90, 88.0	1
2	1027321	(000000–002699 )	Hose, Hyd, Tc04, Jf04str /Jf04e90, 70.0	1
3	1025548	(000000–001337 )	Hose, Hyd, Tc06, Jf06str /Jf06e45, 54.0	1
4	1026733	(000000–002699 )	Hose, Hyd, Spcl, Jf04str/Jf04str, 115.0	1
4	1042775	(002700– )	Hose, Hyd, Spcl, Jf04str/Jf04str, 133.0	1
5	1024688	(000000–002699 )	Hose, Hyd, Spcl, Jf04str/Jf04str, 121.0	1
5	1042776	(002700– )	Hose, Hyd, Spcl, Jf04str/Jf04str, 127.0	1
6	1024764	(000000– )	Hose, Hyd, Tc08, Jf08str/Jf08str, 48.0	1
7	1023769	(000000– )	Hose, Hyd, Tc 06, Jf06str /Jf06e45, 56.0	1
8	57946	(000000– )	Hose, Hyd, Med04, Jf04e90/Jf04str, 016.0	1
9	1025544	(000000– )	Hose, Hyd, Tc08, Jf08e90/Jf08str, 13.0	1
10	51754	(000000– )	Hose, Hyd, Med08, Jf08str/Jf08str, 022.0	1
11	1036939	(001338– )	Hose, Hyd, Tc06, Jf06str/Jf06str, 054.0	1
12	1040628	(002700– )	Hose, Hyd, Tc04, Jf04str/Jf04str, 096.0	2
13	387281	(003057– )	Hose, Hyd, Tc04, Jf04e90/Jf04str, 020.0	1

Fig. 78 – Hydraulic Hose Group, Squeegee Lift

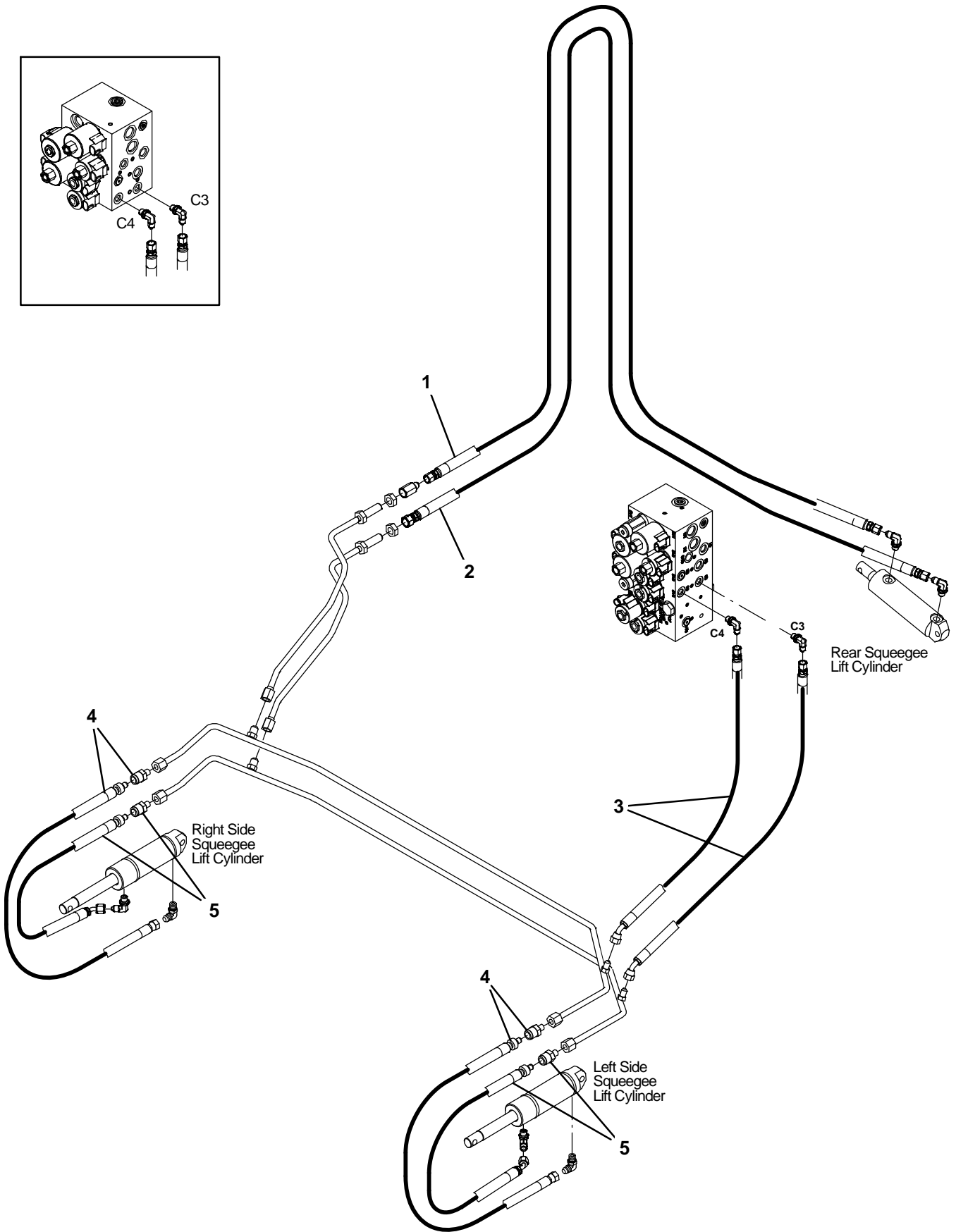


Fig. 78 – Hydraulic Hose Group, Squeegee Lift

Ref.	Part No.	Serial Number	Description	Qty.
1	1024688	(000000–	) Hose, Hyd, Spcl, Jf04str/Jf04str, 121.0	1
2	1025551	(000000–	) Hose, Hyd, Spcl, Jf04str/Jf06str, 125.0	1
3	1030709	(000000–	) Hose, Hyd, Tc 04, Jf04str /Jf04e45 , 35.0	2
4	1037042	(000000–002555	) Hose, Hyd, Tc04, Jf04e45/Qm06, 028.0	2
4	1045759	(002556–	) Hose, Hyd, Tco4, Jf04Str/Qm06, 028.0	2
5	1037053	(000000–	) Hose, Hyd, Tc04, Jf04e45/Qm06, 026.0	2

Fig. 79 – Hydraulic Pumps Group

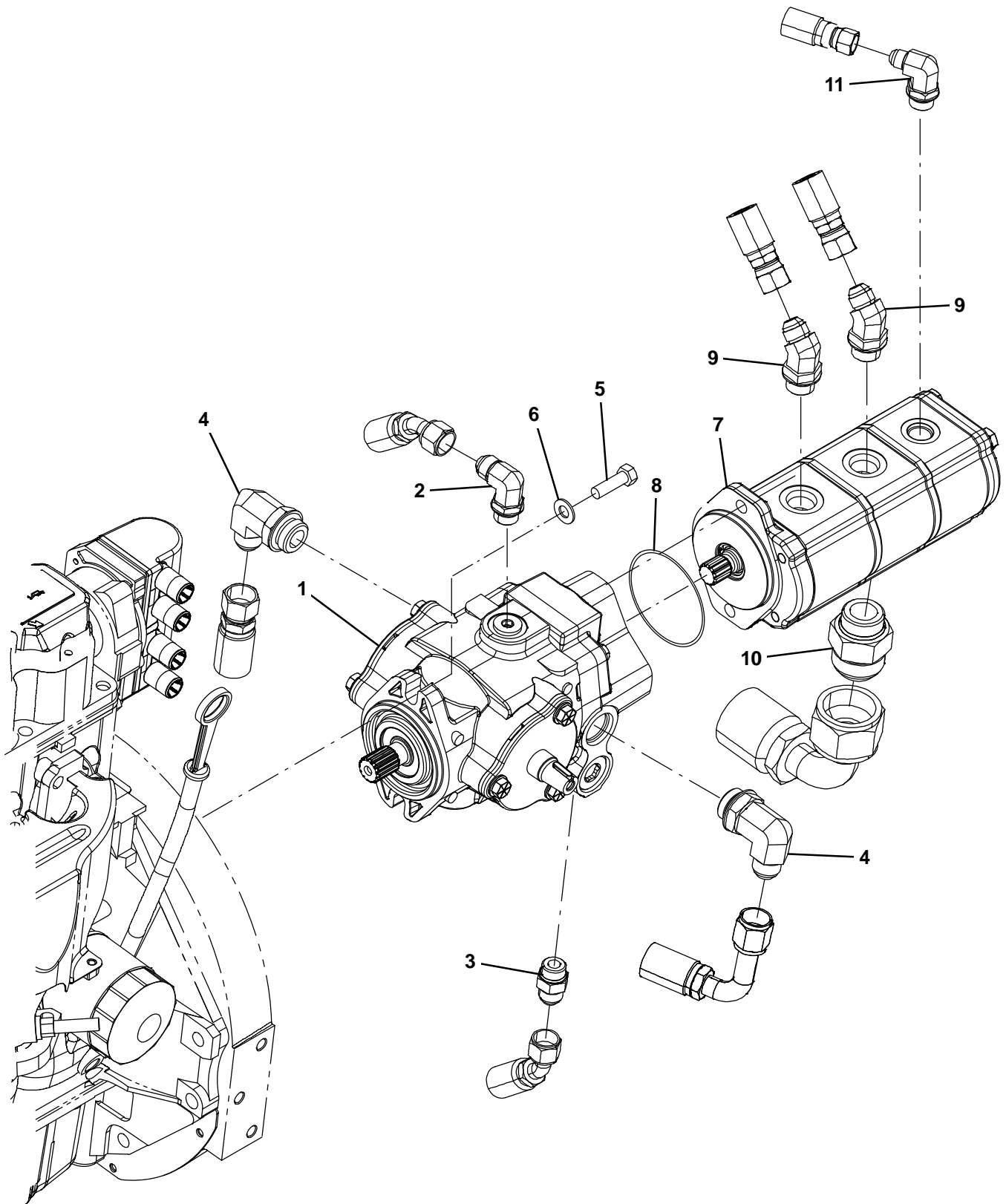


Fig. 79 – Hydraulic Pumps Group

Ref.	Part No.	Serial Number	Description	Qty.
1	1024251	(000000–	) Pump, Hyd, Piston, Var, 1.24 4000, Cw (See Breakdowns)	1
2	44868	(000000–	) Fitting, Hyd, E90, Jm08/Om08	1
3	44869	(000000–	) Fitting, Hyd, Str, Jm08/Om08	1
4	53076	(000000–	) Fitting, Hyd, E90, Jm10/Om12	2
5	21198	(000000–	) Screw, Hex, .38–16 X 1.25, 5	22
6	32485	(000000–	) Washer, Flat, 0.38 Sae	2
7	9007142	(000000–	) Pump Kit, Mtg, Aux, Ci [M20 & T20]	1
8	65145–1	(000000–	) Seal, Org, .069 X 3.06id	11
9	47513	(000000–	) Fitting, Hyd, E45, Jm08/Om10	2
10	67811	(000000–	) Fitting, Hyd, Str, Jm20/Om16	1
11	47512	(000000–	) Fitting, Hyd, E90, Jm06/Om08	1

**Fig. 80 – Hydraulic Cooler and Tubes Group**

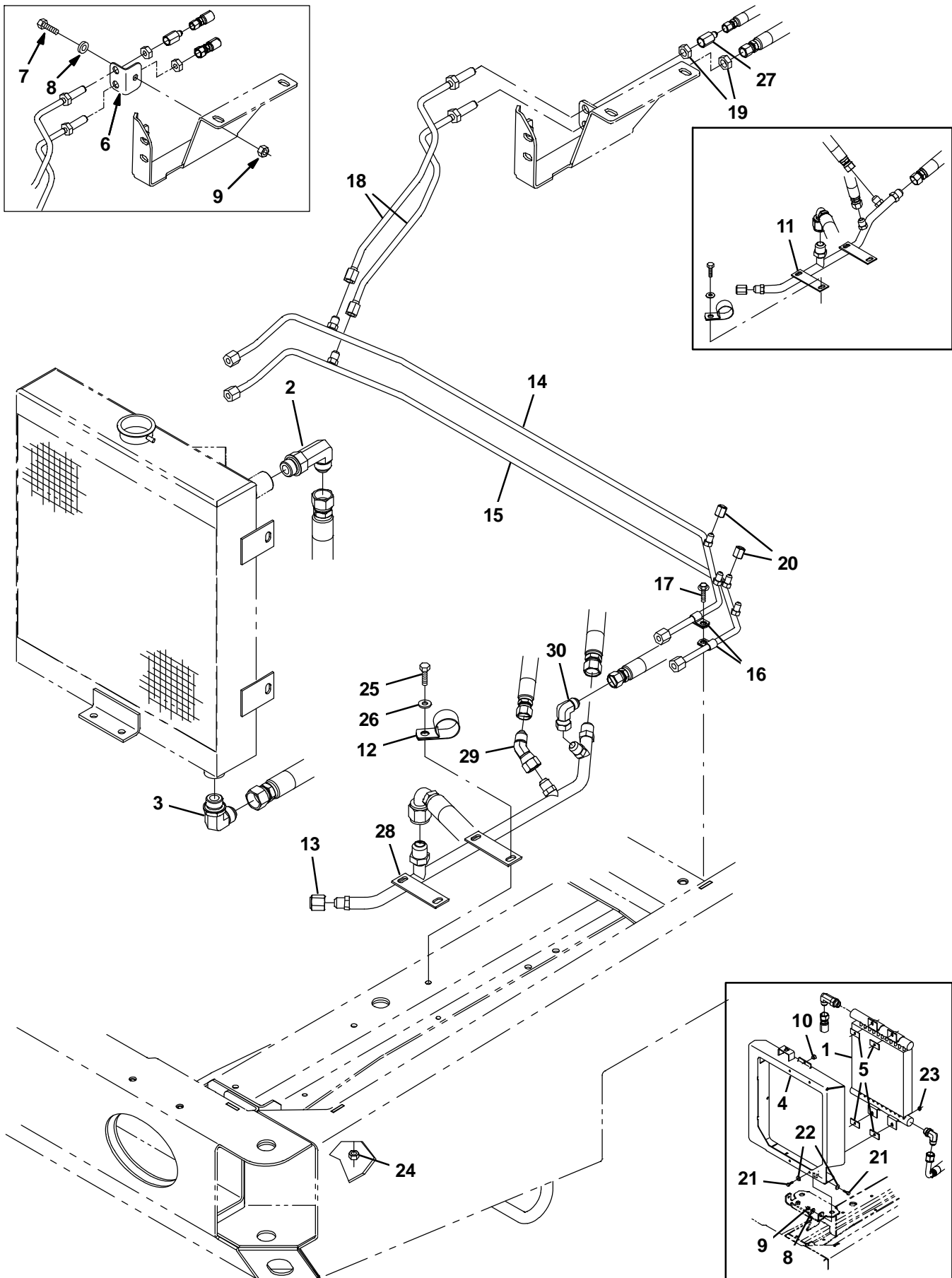


Fig. 80 – Hydraulic Cooler and Tubes Group

Ref.	Part No.	Serial Number	Description	Qty.
1	13698	(000000-003038 )	Cooler, Hyd, 25gpm 325btu Of12 13x12x2	1
2	46481	(000000- )	Fitting, Hyd, E90, Jm12/Om12	1
3	62471	(000000- )	Fitting, Hyd, E90, Jm12/Om12, L	1
4	1026319	(000000-003038 )	Bracket Wldt, Cooler, Hyd Fluid	1
5	1040318	(000000-003038 )	Pad, Tank, Hyd [W/Psa]	4
6	1026647	(000000-xxxxxx )	Angle, Mtg, Stl, .12 1.6 1.6 02.2l	1
7	39283	(000000-xxxxxx )	Screw, Hex, M10 X 1.5 X 25, 8.8	1
8	32492	(000000-xxxxxx )	Washer, Flat, 0.38 Std	1
9	41430	(000000-xxxxxx )	Nut, Hex, Lock, M10 X 1.5, NI	1
10	51787	(000000-003038 )	Bumper, Rbr, 0.6d 0.34t .3d Tip	1
11	1036959	(000000-005999 )	Tube, Hyd, Main Return	1
12	53466	(000000- )	Clamp, Cable, Stl, 1.50d X 1.00w, 1h	1
13	60090	(000000- )	Fitting, Hyd, Cap, Jf08	1
14	1028821	(000000- )	Tube, Hyd, Sqge	1
15	1028822	(000000- )	Tube, Hyd, Sqge	1
16	40678	(000000- )	Clamp, Cable, Stl, 0.44d X 0.62w, 1h	2
17	74455	(000000- )	Screw, Hex, M6 X 1.0 X 12, Fmg	1
18	1028823	(000000- )	Tube, Hyd, Rear Sqge [M20]	2
19	35904	(000000- )	Nut, Ftg, Hyd, 0.56-18	2
20	50161	(000000- )	Fitting, Hyd, Cap, Jf04	2
21	39277	(000000-003038 )	Screw, Hex, M8 X 1.25 X 25, 8.8	8
22	32491	(000000-003038 )	Washer, Flat, 0.31, Std	8
23	07791	(000000-003038 )	Nut, Hex, FIng, M8 X 1.25	8
24	41430	(000000- )	Nut, Hex, Lock, M10 X 1.5, NI	2
25	39277	(000000- )	Screw, Hex, M8 X 1.25 X 25, 8.8	2
26	32491	(000000- )	Washer, Flat, 0.31, Std	2
27	47752	(000000- )	Fitting, Hyd, Str, Jf06/Jm04	1
28	1071173	(006000- )	Tube, Hyd, Main Return [G/Lp Mit2013]	1
29	07797	(006000- )	Fitting, Hyd, E45, Jf08/Jm08	1
30	17980	(006000- )	Fitting, Hyd, E90, Jf08/Jm08	1

Fig. 81 – Hydraulic Reservoir Group

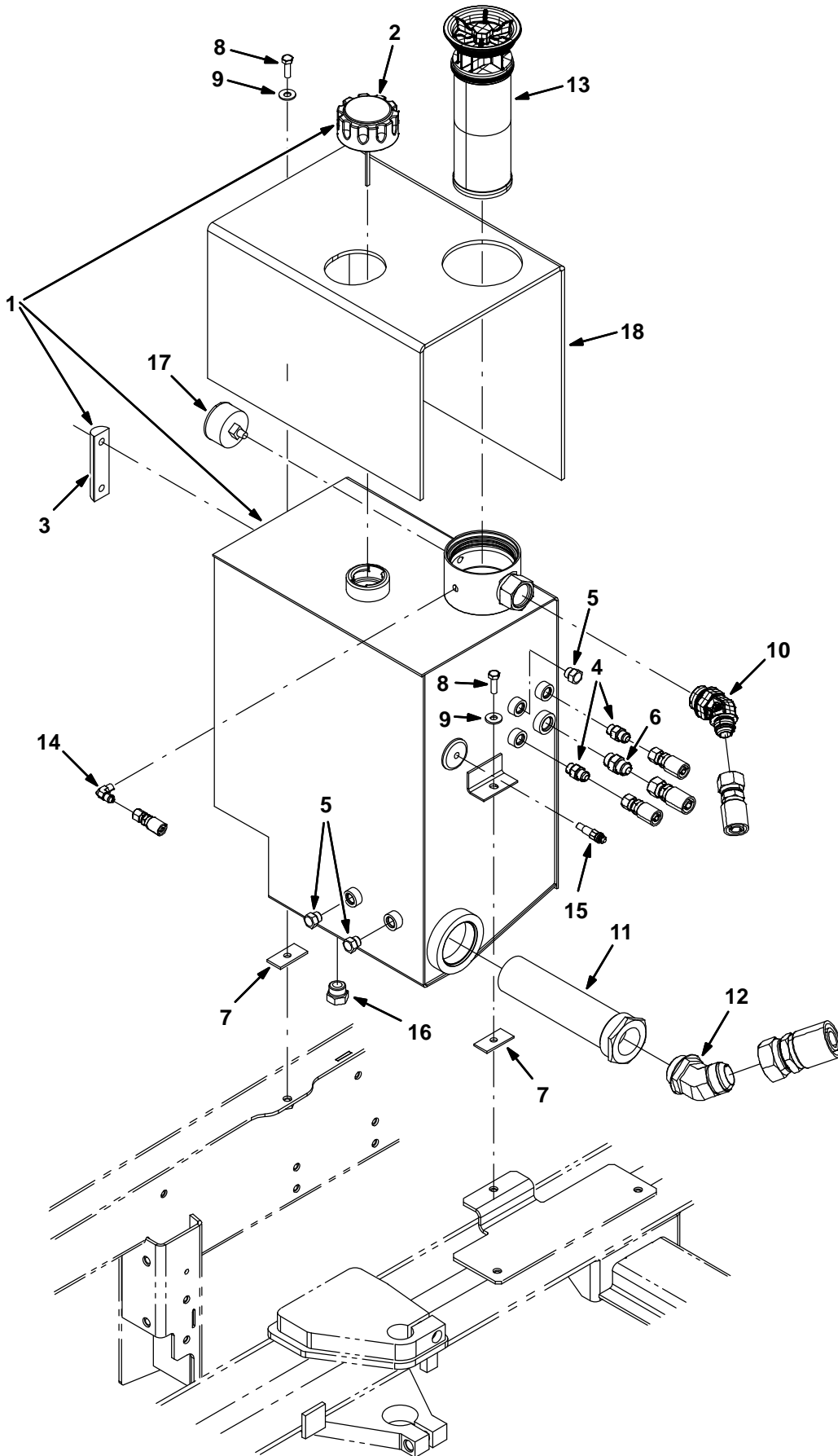


Fig. 81 – Hydraulic Reservoir Group

Ref.	Part No.	Serial Number	Description	Qty.
▽	1	9002398	(000000– ) Reservoir, Hyd, 10.0Gal, Replmt	1
▲	2	25122	(000000– ) Cap, Breather, Hyd, 2.4 Ds	1
▲	3	65215	(000000– ) Gauge, Sensing, Level	1
	4	56690	(000000– ) Fitting, Hyd, Str, Jm06/Om06	2
	5	46482	(000000– ) Fitting, Hyd, Plug, Om06	3
	6	44869	(000000– ) Fitting, Hyd, Str, Jm08/Om08	1
	7	1040318	(000000– ) Pad, Tank, Hyd [W/Psa]	2
	8	39277	(000000– ) Screw, Hex, M8 X 1.25 X 25, 8.8	2
	9	32491	(000000– ) Washer, Flat, 0.31 Std	2
	10	1023545	(000000– ) Fitting, Hyd, E45, Jm12/Om16	1
	11	31613	(000000– ) Strainer, Hyd, 25gpm 100mesh Psi	1
	12	71726	(000000– ) Fitting, Hyd, E45, Jm20/Om20	1
	13	1021579	(000000– ) Filter Assy [Pt4 936498]	1
	14	55455	(000000– ) Fitting, Hyd, E90, Jm04/Pm02	1
	15	58592	(000000– ) Send–Unit, Water, Temp, 04npt 113oh/195d	1
	16	40362	(000000– ) Fitting, Hyd, Plug, Om10	1
	17	1025132	(000000– ) Indicator, Press, 60psi	1
	18	1034878	(000000– ) Insulation, Thermal, Hydraulic Blanket	1

**Fig. 82 – Hydraulic Valves Group (000000–002699)**

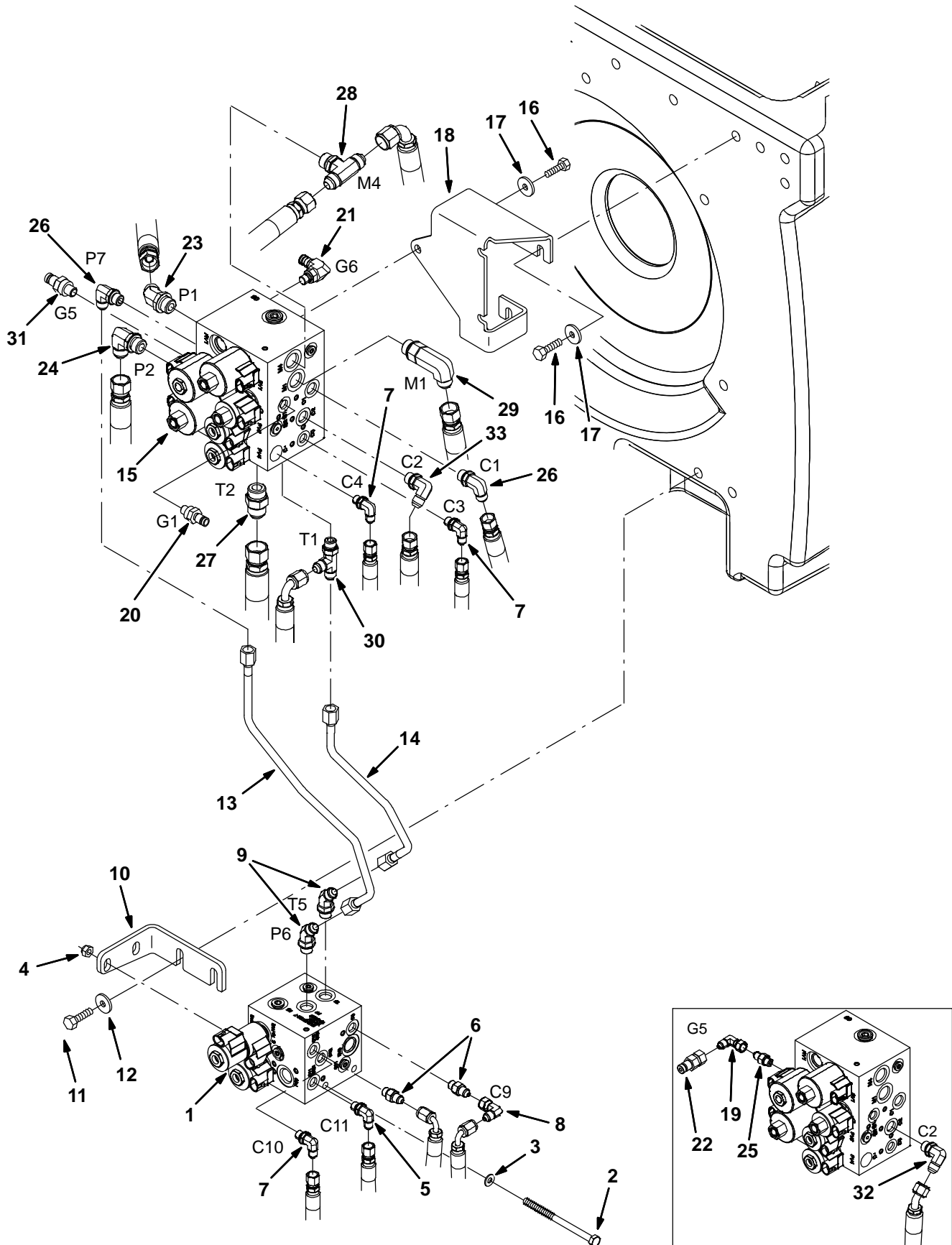


Fig. 82 – Hydraulic Valves Group (000000–002699)

Ref.	Part No.	Serial Number	Description	Qty.
1	1018936	(000000–002699 )	Valve, Cntrl, Hyd [M20] (See Breakdowns)	1
2	49883	(000000–002699 )	Screw, Hex, M8 X 1.25 X 120, 8.8, FI	2
3	32491	(000000–002699 )	Washer, Flat, 0.31, Std	2
4	08709	(000000–002699 )	Nut, Hex, Lock, M8 X 1.25, NI	2
5	77097	(000000–002699 )	Fitting, Hyd, E90, Jm04/Om04	2
6	55586	(000000–002699 )	Fitting, Hyd, Str, Jm04/Om04	2
7	77097	(000000–002699 )	Fitting, Hyd, E90, Jm04/Om04	2
8	39210	(000000–002699 )	Fitting, Hyd, E90, Jf04/Jm04	1
9	47522	(000000–002699 )	Fitting, Hyd, E45, Jm06/Om06	2
10	1020708	(000000–002699 )	Bracket, Mtg, Valve, Hyd, Swp	1
11	09740	(000000–002699 )	Screw, Hex, M8 X 1.25 X 20, Ss	2
12	1017218	(000000–002699 )	Washer, Flat, 0.32b 1.00d .12, Ss	2
13	1022482	(000000–002699 )	Tube, Hyd, Swp	1
14	1022484	(000000–002699 )	Tube, Hyd, Swp	1
15	1020394	(000000–002699 )	Valve, Cntrl, Hyd (See Breakdowns)	1
16	09740	(000000–002699 )	Screw, Hex, M8 X 1.25 X 20, Ss	6
17	1017218	(000000–002699 )	Washer, Flat, 0.32b 1.00d .12, Ss	6
18	1021991	(000000–002699 )	Bracket, Mtg, Valve, Hyd, Scb	1
19	39210	(000000–001271 )	Fitting, Hyd, E90, Jf04/Jm04	1
20	395973	(000000–002699 )	Fitting, Hyd, Str, Om04/Qm04	1
21	395974	(000000–002699 )	Fitting, Hyd, E90, Om04/Qm04	1
22	396476	(000000–001271 )	Fitting, Hyd, Str, Jf04/Qm04	1
23	42226	(000000–002699 )	Fitting, Hyd, E45, Jm08/Om08	1
24	44868	(000000–002699 )	Fitting, Hyd, E90, Jm08/Om08	1
25	55586	(000000–001271 )	Fitting, Hyd, Str, Jm04/Om04	1
26	56820	(000000–002699 )	Fitting, Hyd, E90, Jm06/Om06	2
27	46480	(000000–002699 )	Fitting, Hyd, Str, Jm10/Om10	1
28	49933	(000000–002699 )	Fitting, Hyd, Tee, Jm08/Jm08/Om08, Br	1
29	69173	(000000–002699 )	Fitting, Hyd, E90, Jm08/Om08, L	1
30	76316	(000000–002699 )	Fitting, Hyd, Tee, Jm06/Jm06/Om06, Run	1
31	395973	(001272–026999 )	Fitting, Hyd, Str, Om04/Qm04	1
32	56820	(000000–001337 )	Fitting, Hyd, E90, Jm06/Om06	1
33	71727	(001338–026999 )	Fitting, Hyd, E90, Jm06/Om06, L	1

**Fig. 83 – Hydraulic Valve Group (002700– )**

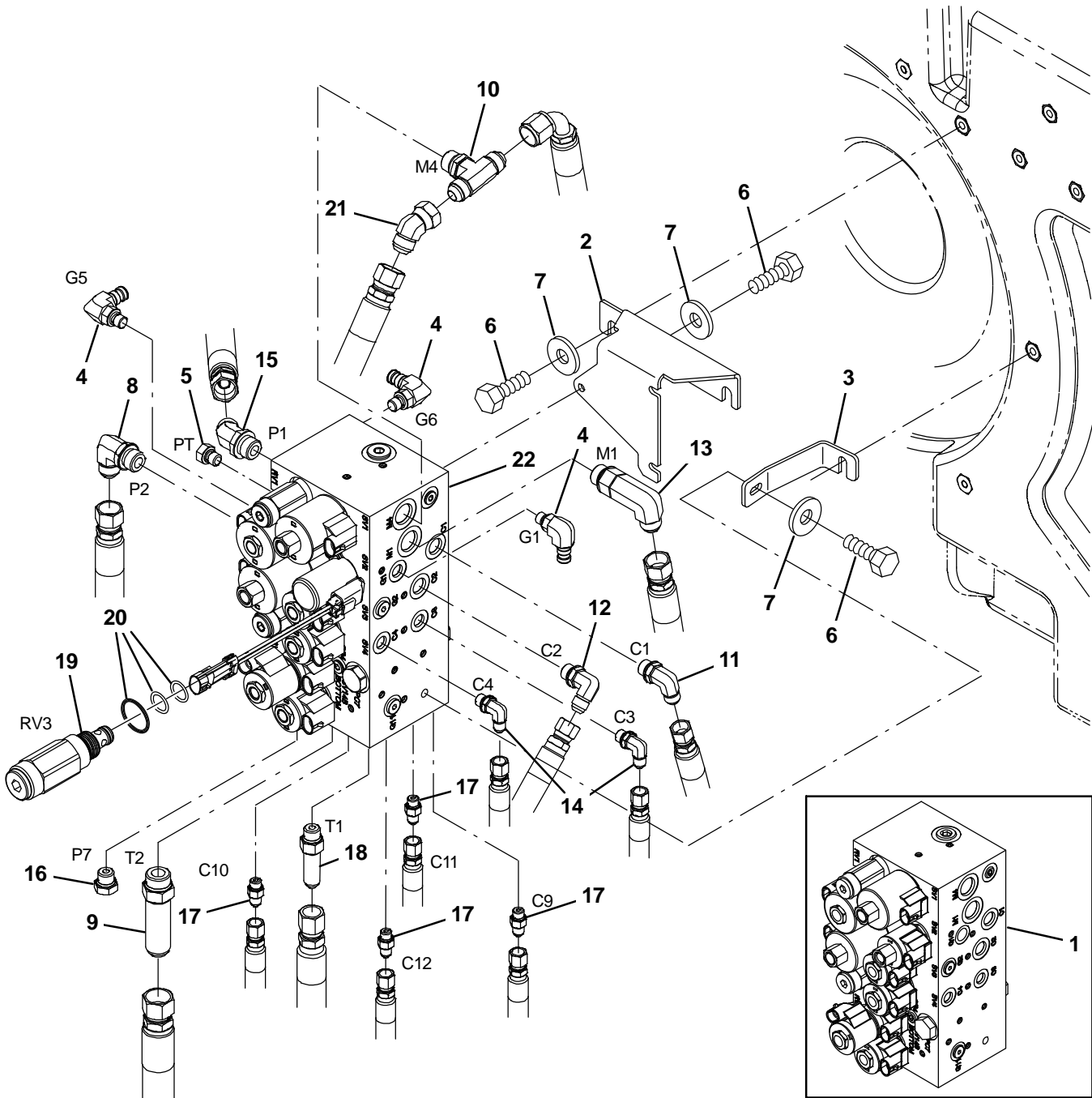
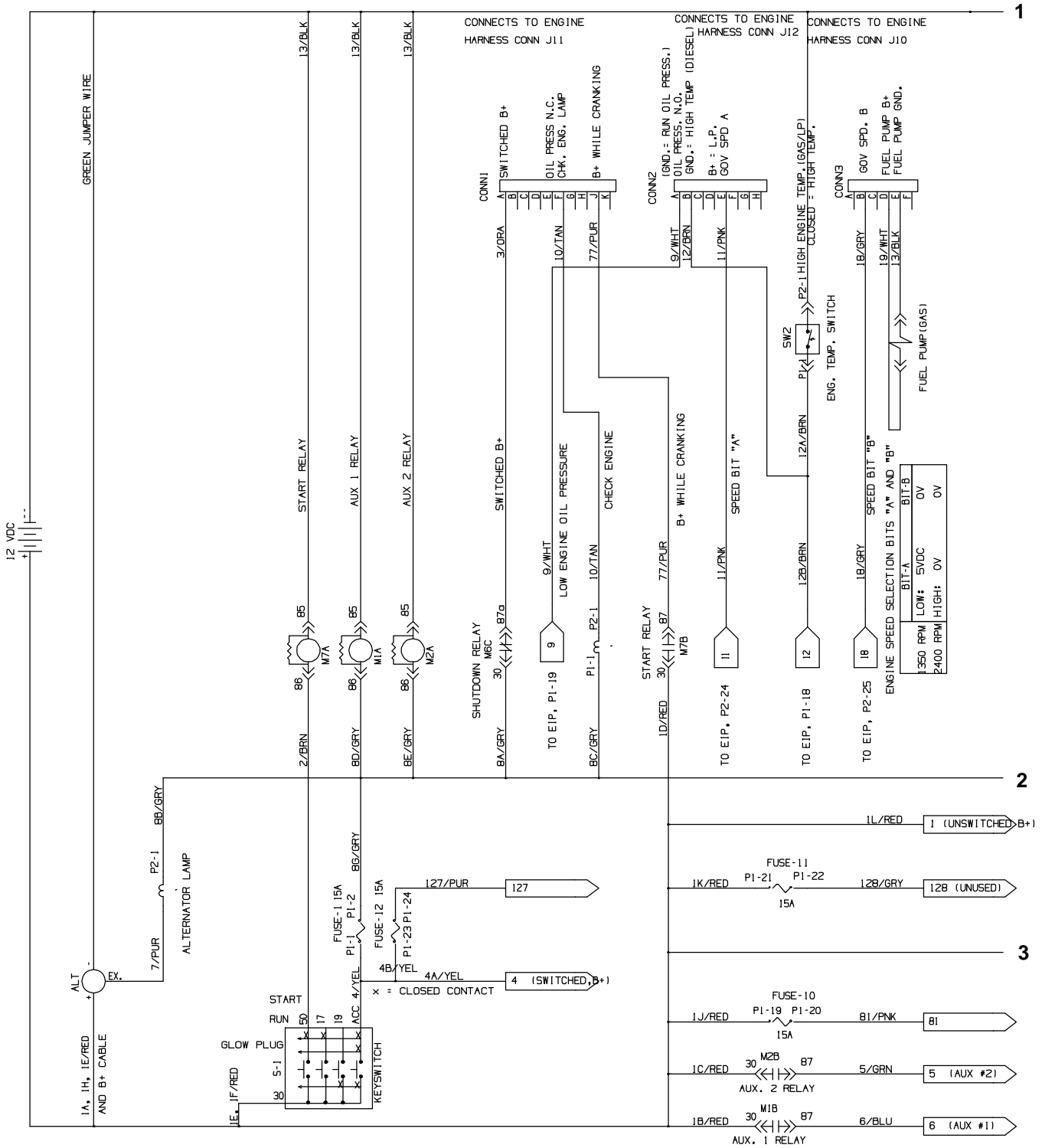


Fig. 83 – Hydraulic Valve Group (002700– )

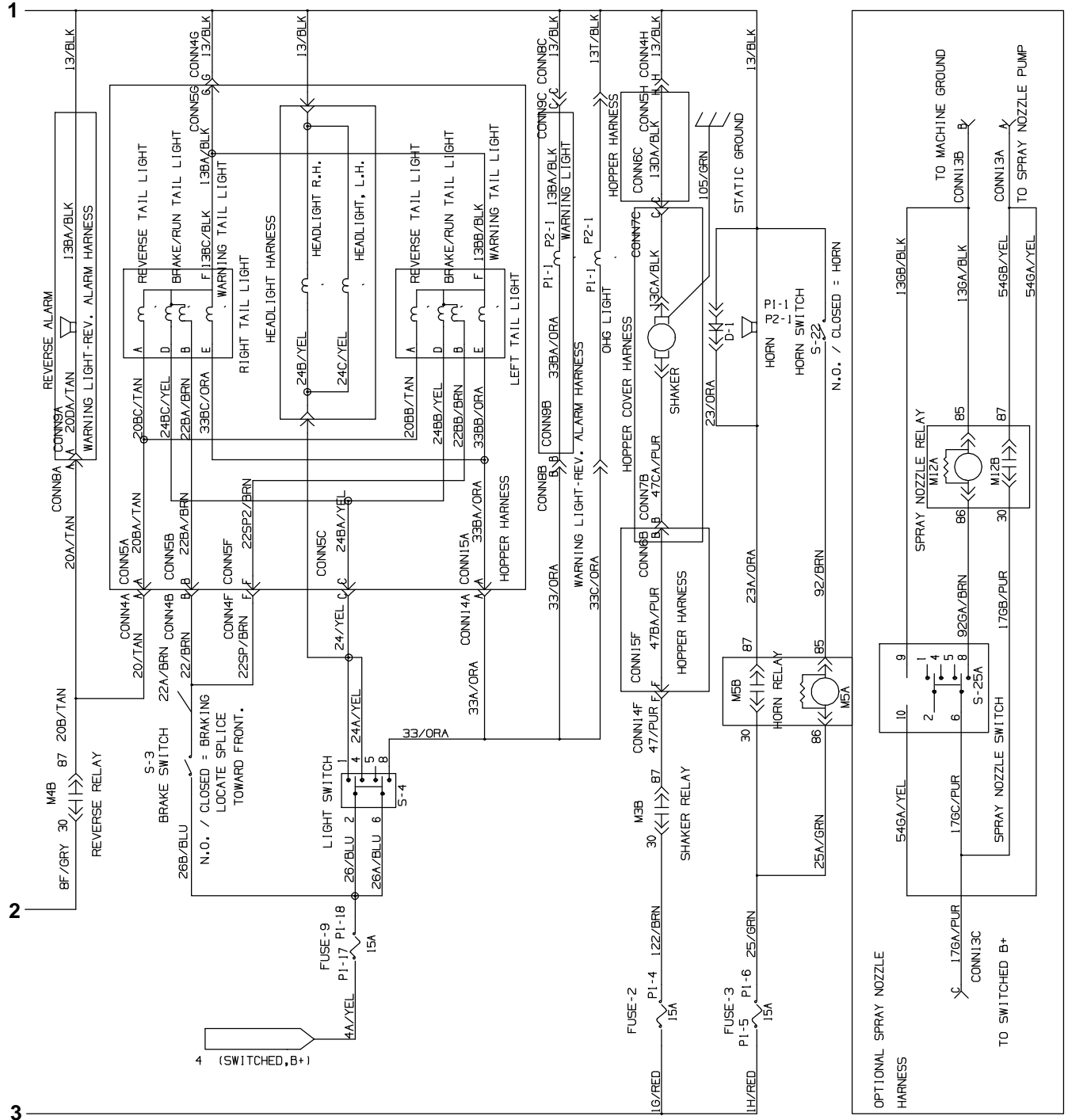
Ref.	Part No.	Serial Number	Description	Qty.
1	1038566	(002700–006286 )	Valve, Hyd, Solenoid, 12vdc (See Breakdowns)	1
2	1039789	(002700– )	Bracket, Mtg, Valve [Combined]	1
3	1040117	(002700– )	Bracket, Mtg, Valve, Lower	1
4	395974	(002700– )	Fitting, Hyd, E90, Om04/Qm04	3
5	33812	(002700– )	Fitting, Hyd, Plug, Om04	1
6	09740	(002700– )	Screw, Hex, M8 X 1.25 X 20, Ss	8
7	1017218	(002700– )	Washer, Flat, 0.32b 1.00d .12, Ss	8
8	69173	(002700– )	Fitting, Hyd, E90, Jm08/Om08, Long	1
9	1040876	(002700– )	Fitting, Hyd, Str, Jm10/Om10, Long	1
10	49933	(002700– )	Fitting, Hyd, Tee, Jm08/Jm08/Om08, Br	1
11	56820	(002700– )	Fitting, Hyd, E90, Jm06/Om06	1
12	71727	(002700– )	Fitting, Hyd, E90, Jm06/Om06, Long	1
13	69173	(002700– )	Fitting, Hyd, E90, Jm08/Om08, Long	1
14	77097	(002700– )	Fitting, Hyd, E90, Jm04/Om04	2
15	42226	(002700– )	Fitting, Hyd, E45, Jm08/Om08	1
16	46482	(002700– )	Fitting, Hyd, Plug, Om06	1
17	55586	(002700– )	Fitting, Hyd, Str, Jm04/Om04	4
18	59577	(002700– )	Fitting, Hyd, Str, Jm06/Om06, Long	1
19	1044367	(002700– )	Valve, Relief, 0600Psi	1
20	373647	(002700– )	Seal Kit, Cartridge	1
21	07797	(006000– )	Fitting, Hyd, E45, Jf08/Jm08	1
22	1072995	(006287– )	Valve, Cntrl, Hyd, Solenoid, 12vdc 10gpm (See Breakdowns)	1

Fig. 84 – Electrical Schematic, GM (000000-001999)



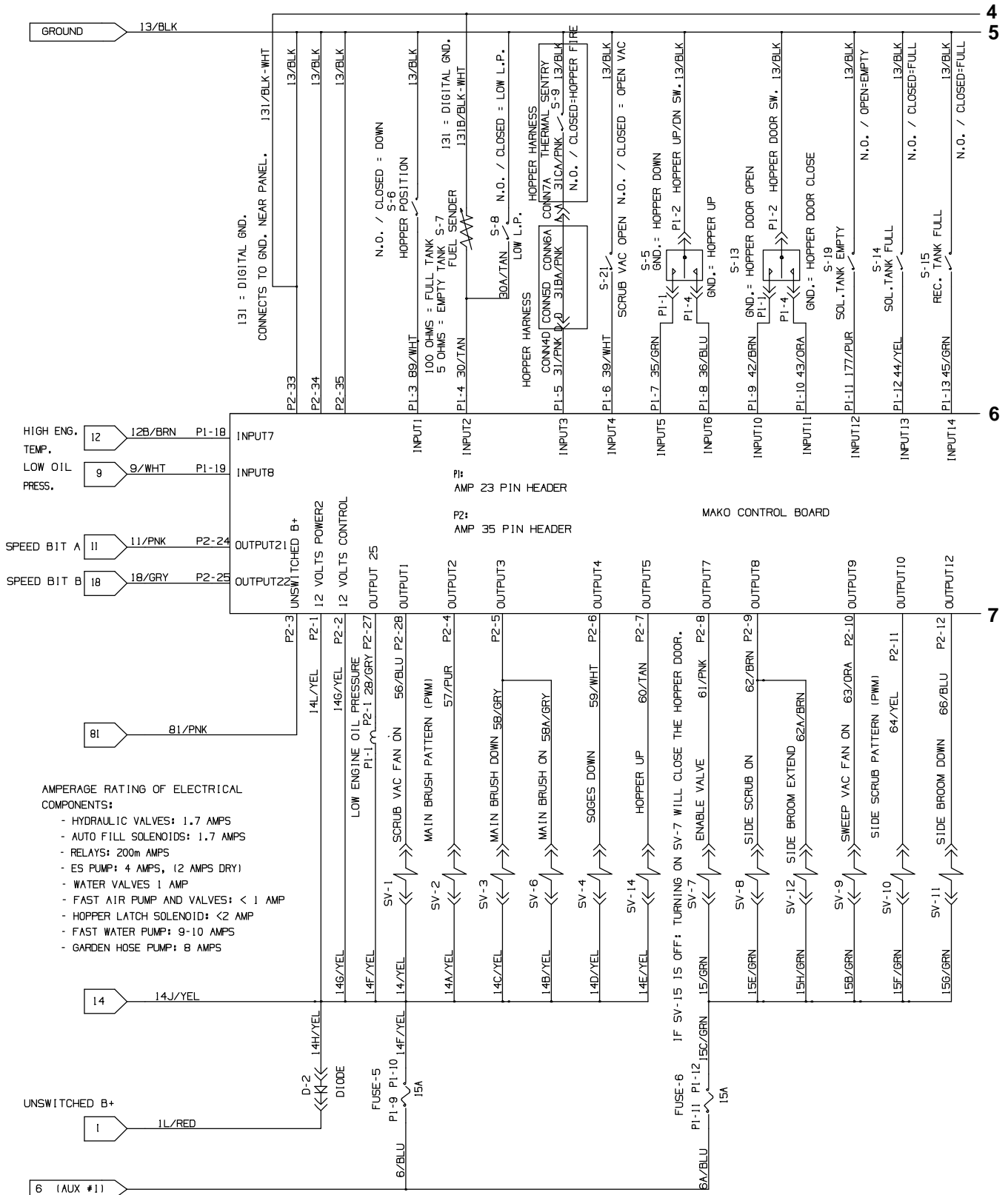
1018547 - 354458

Fig. 84 – Electrical Schematic, GM (00000-001999)



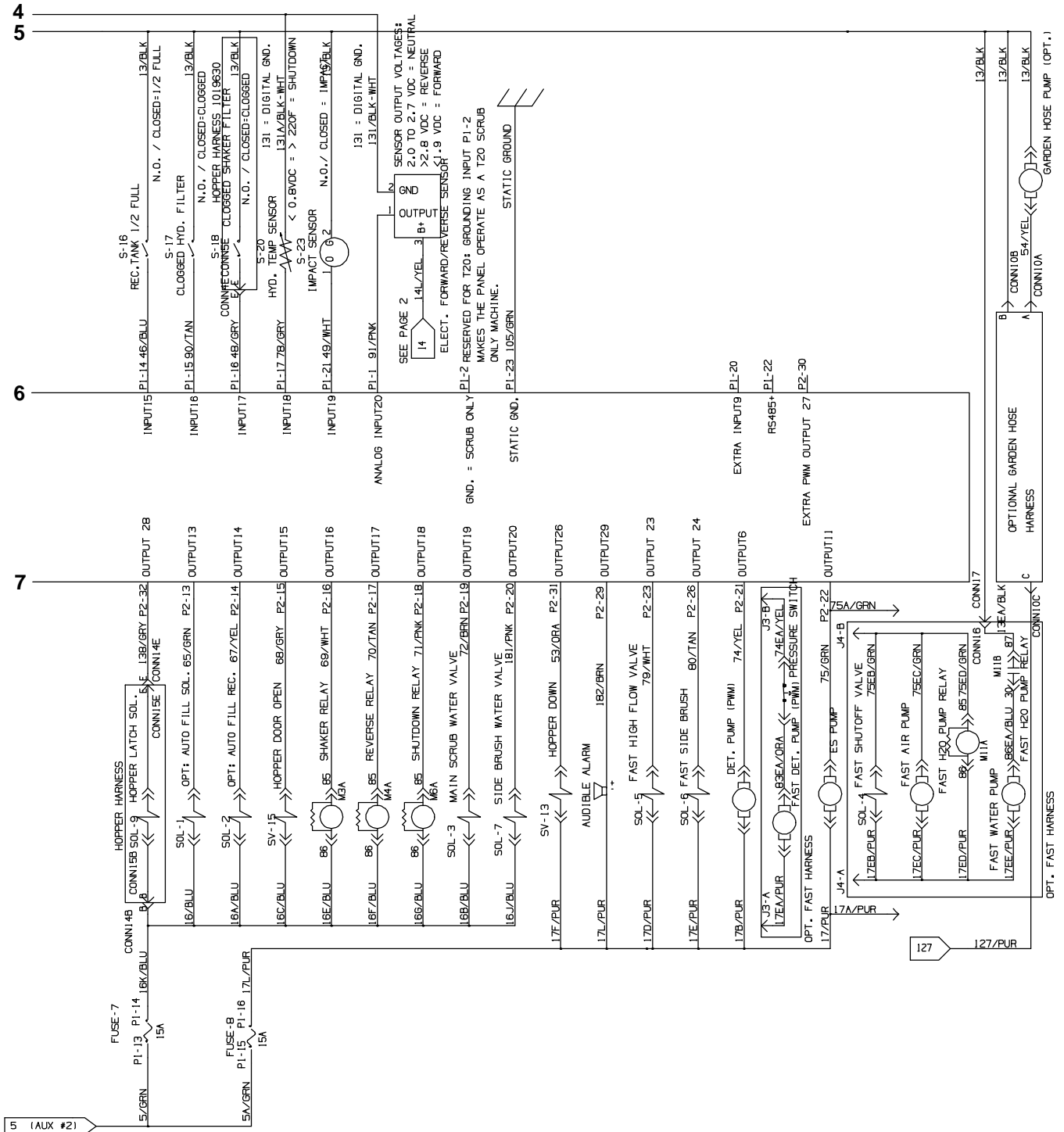
1018547

Fig. 84 – Electrical Schematic, GM (00000-001999)



1018547

Fig. 84 – Electrical Schematic, GM (00000–001999)



1018547

Fig. 85 – Electrical Schematic, GM (002000-002532)

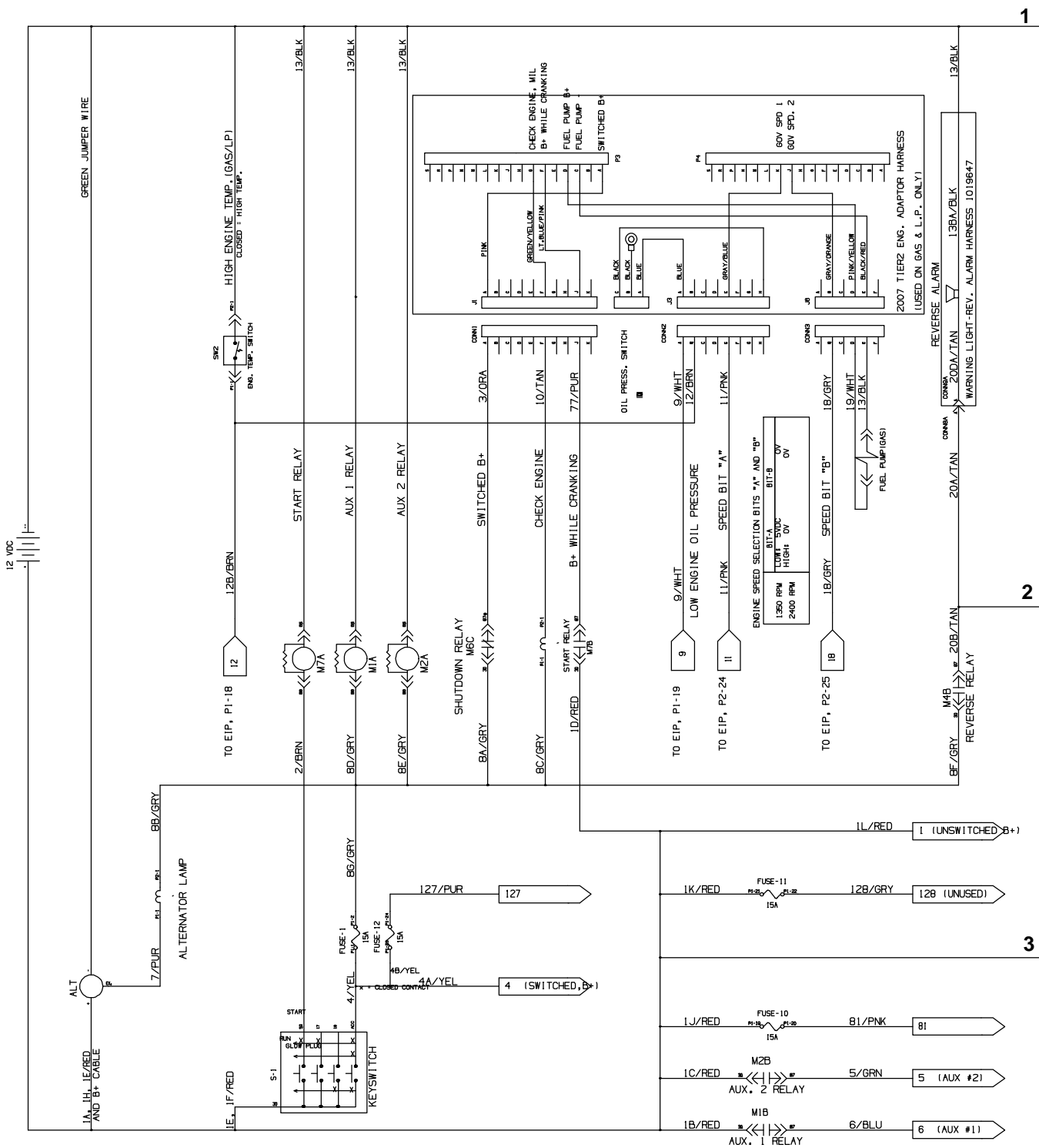
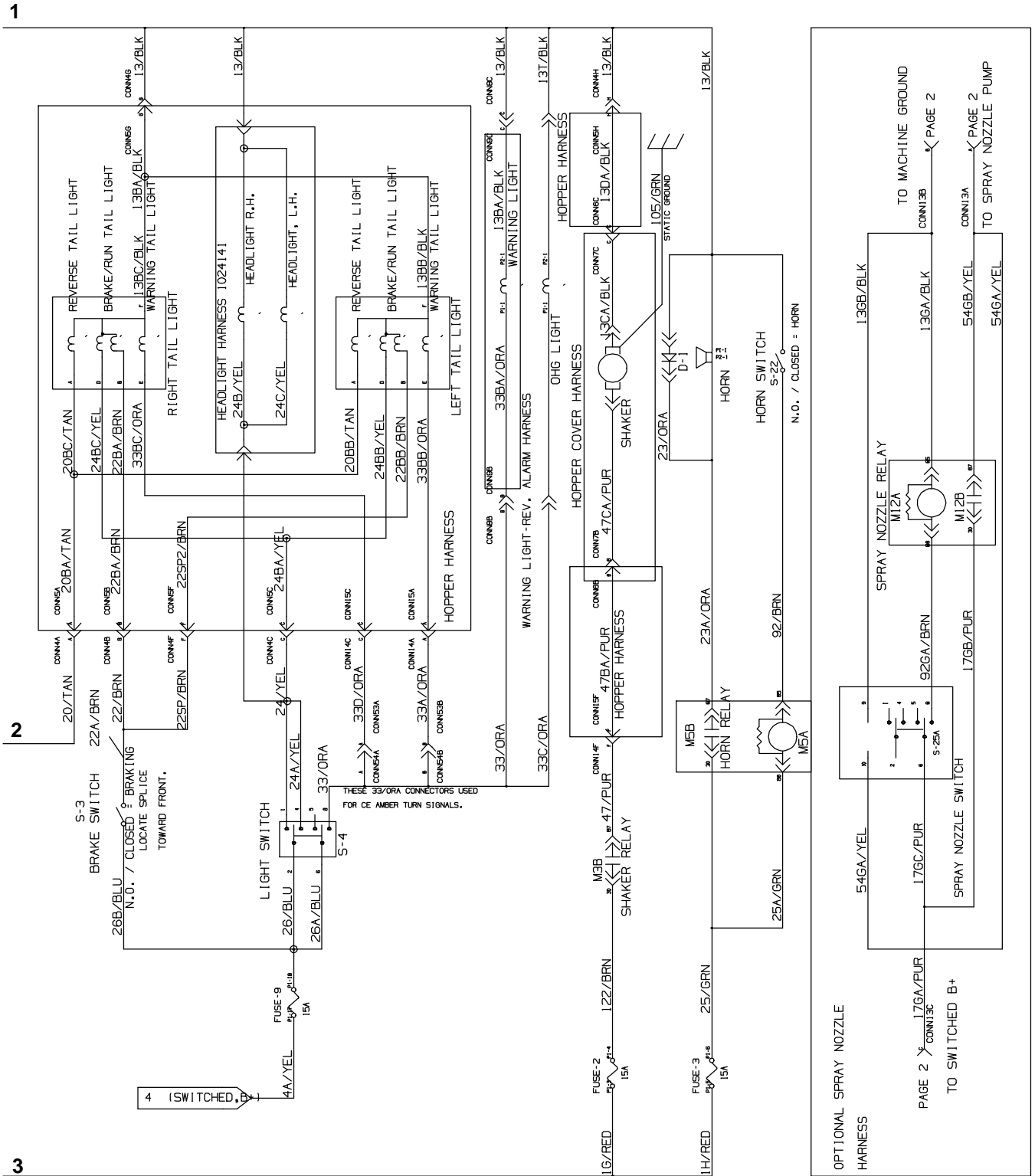
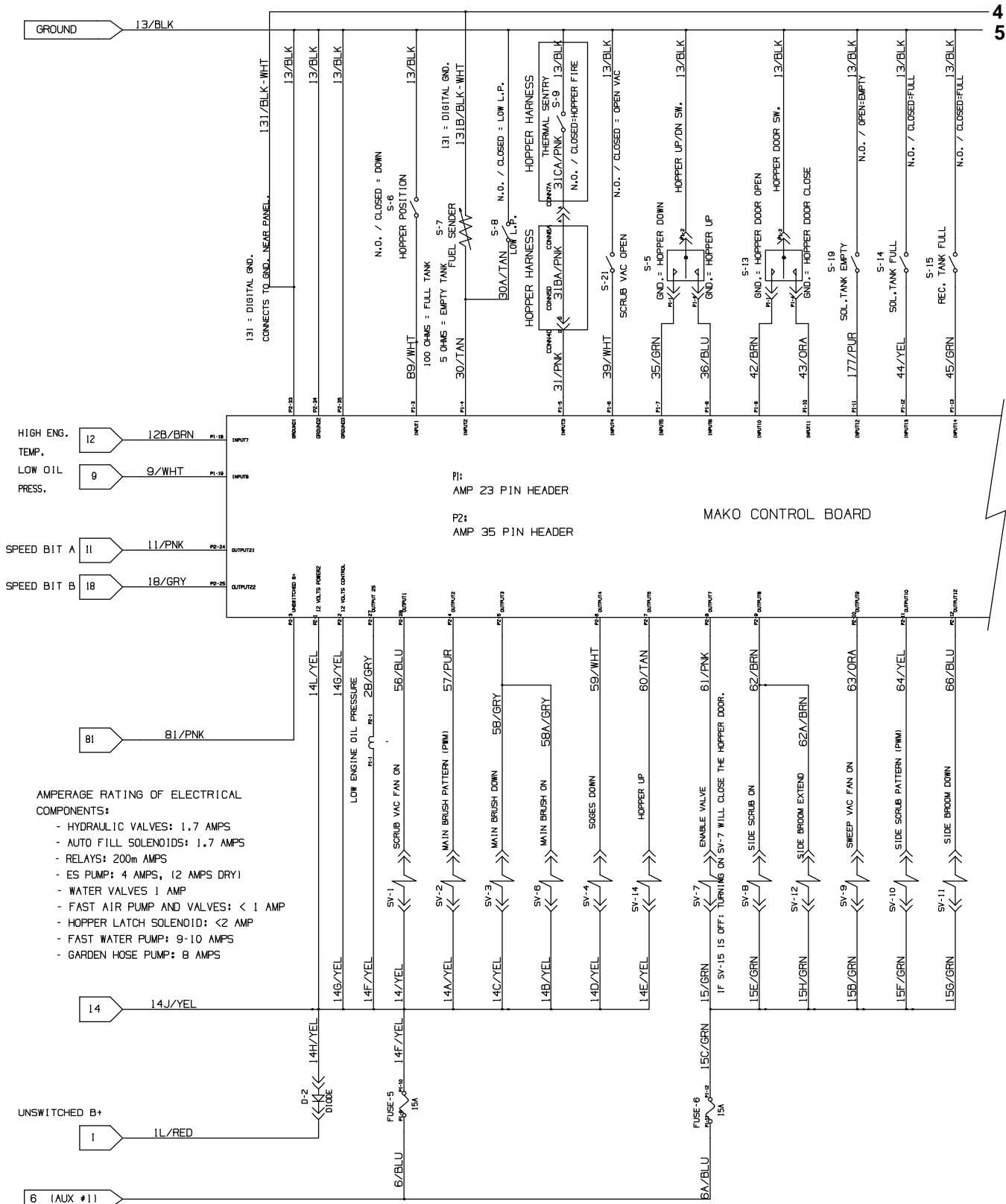


Fig. 85 – Electrical Schematic, GM (002000-002532)



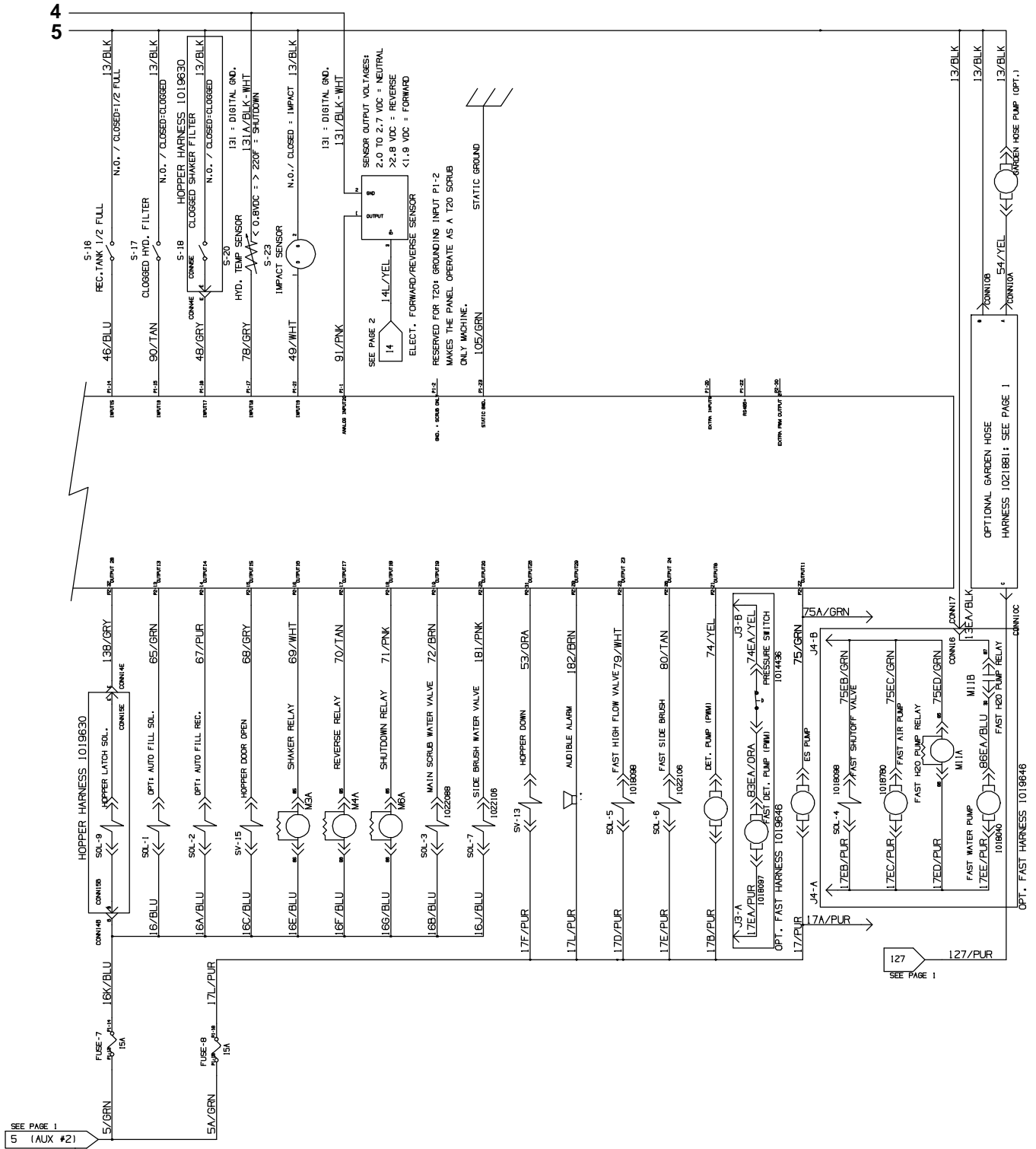
## Fig. 85 – Electrical Schematic, GM (002000-002532)



4  
5

1018547

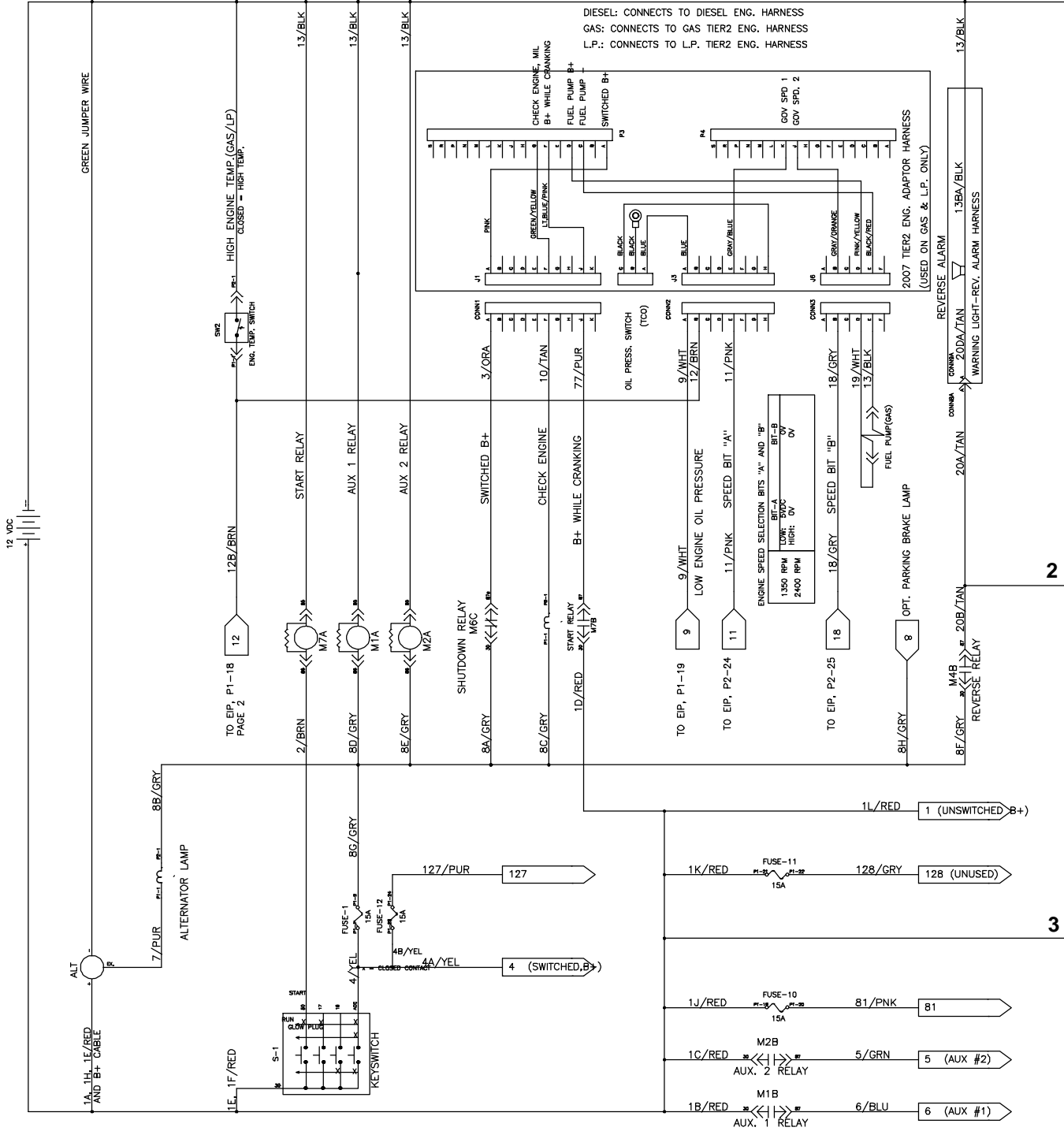
Fig. 85 – Electrical Schematic, GM (002000-002532)



1018547

## Fig. 86 – Electrical Schematic, GM (002533-005999)

1



2

3

1018547 – 354458

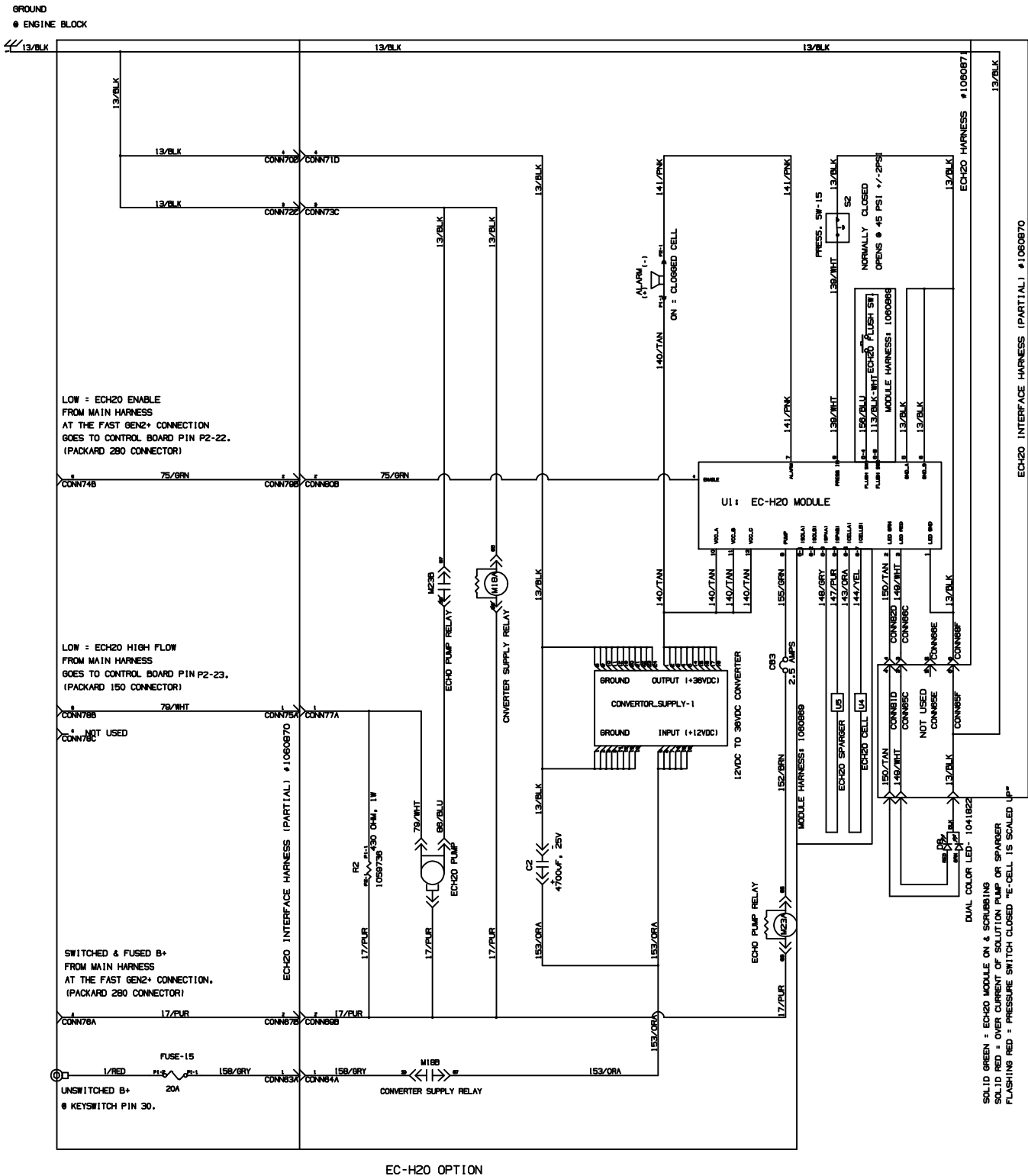






# STANDARD PARTS

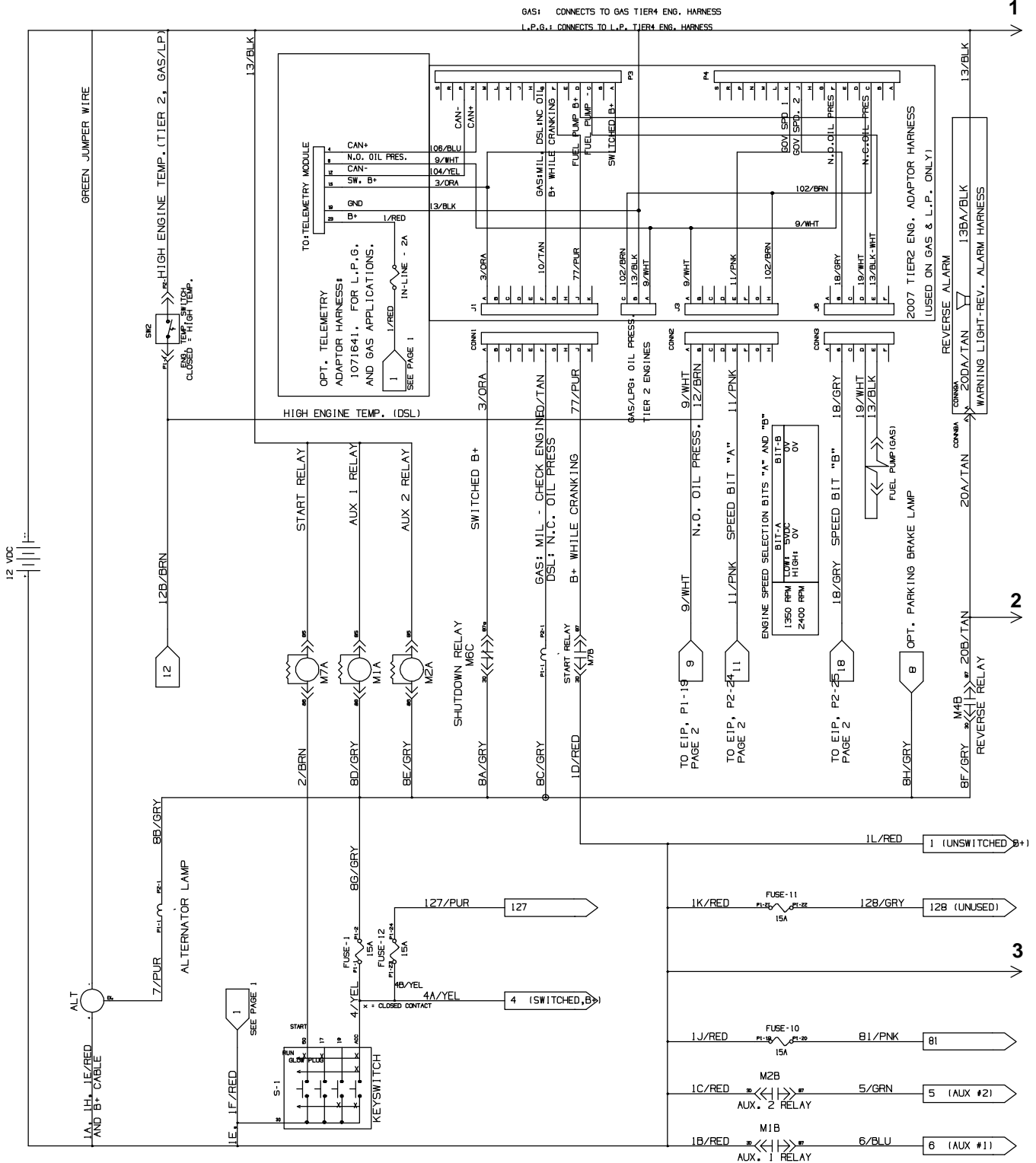
Fig. 86 – Electrical Schematic, GM (002533-005999)



1018547 - 354458

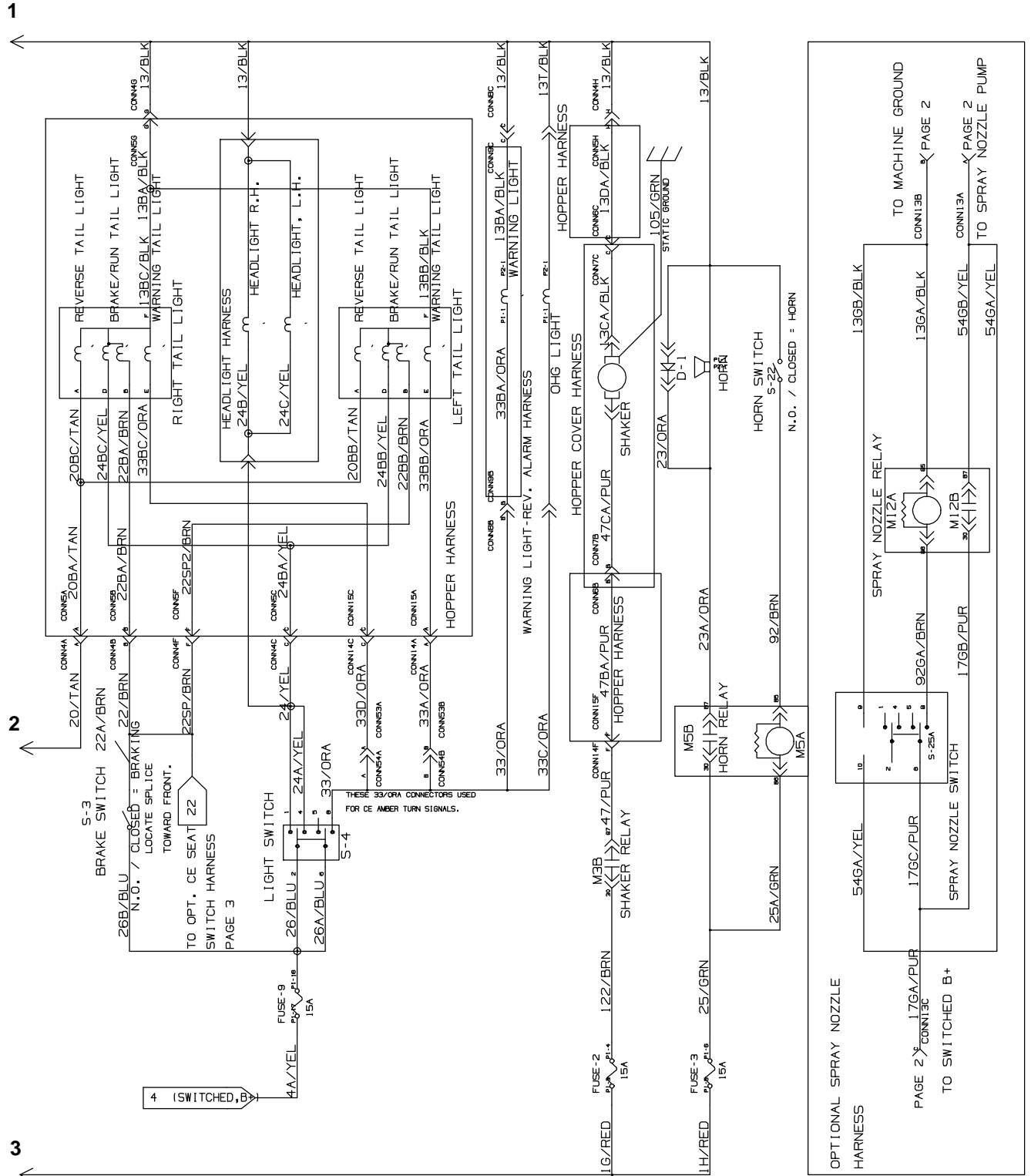


Fig. 87 - Electrical Schematic, GM (003479-005999)



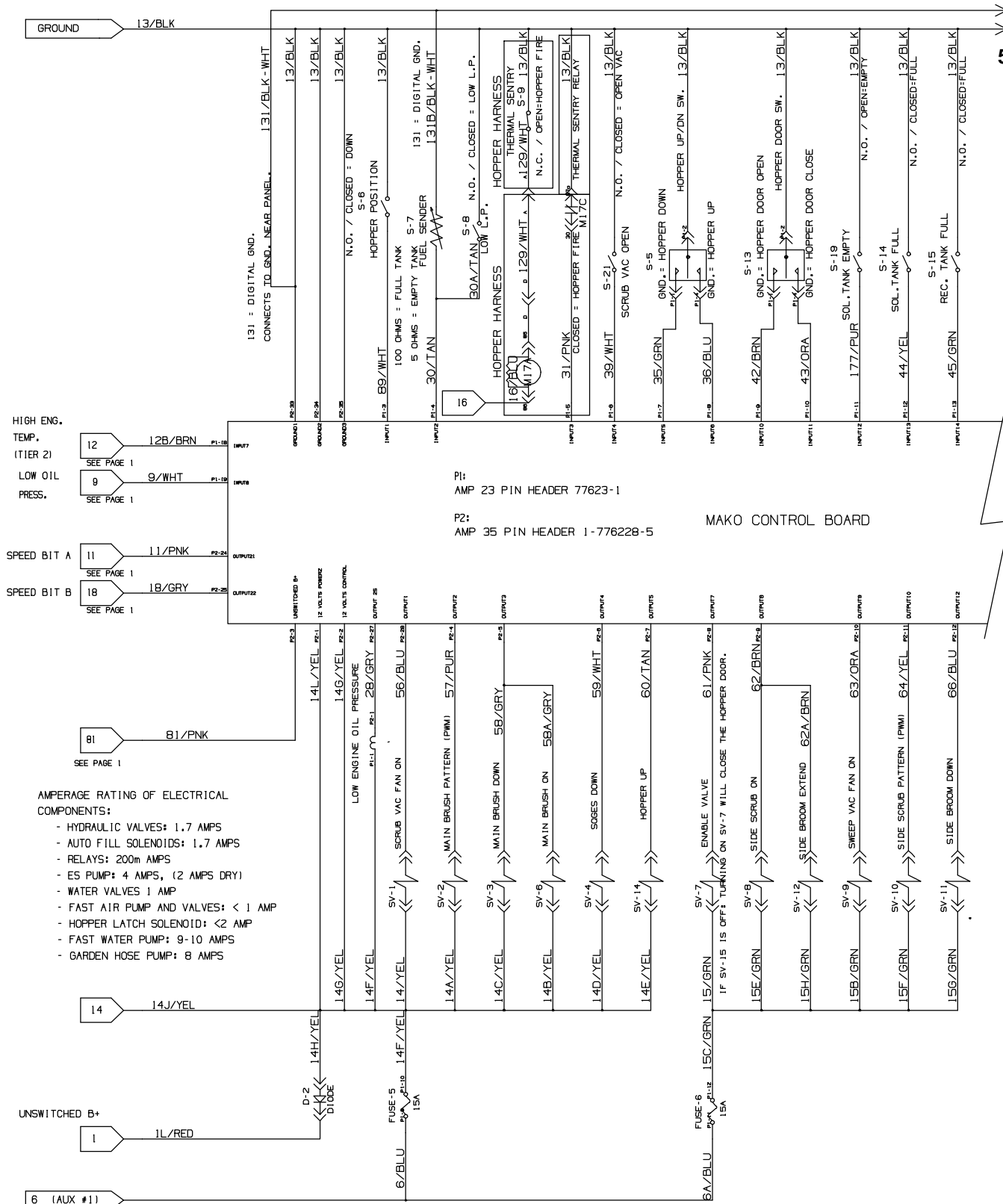
1018547 - 354458

Fig. 87 - Electrical Schematic, GM (003479-005999)



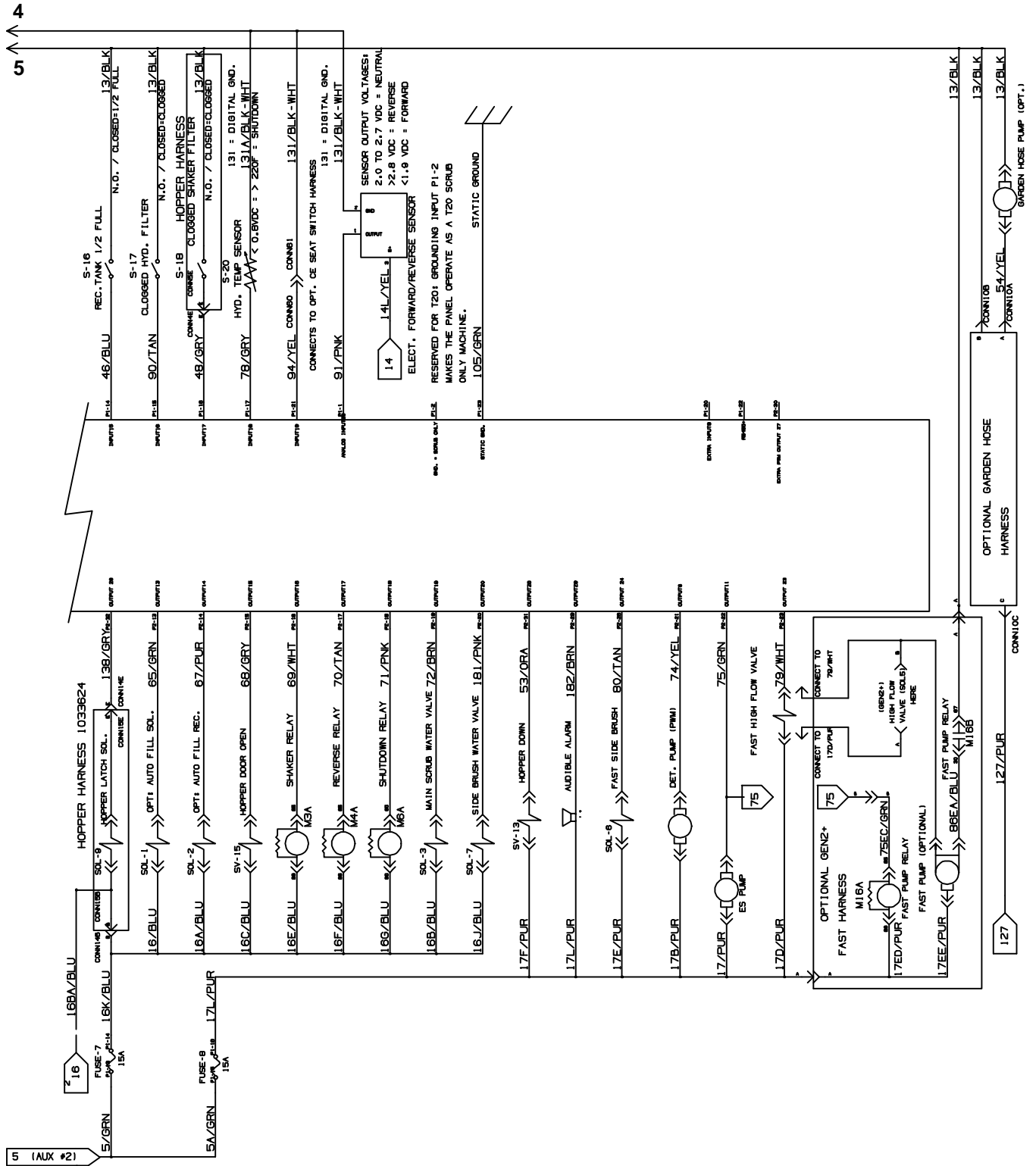
1018547 - 354458

Fig. 87 – Electrical Schematic, GM (003479-005999)



1018547 - 354458

Fig. 87 - Electrical Schematic, GM (003479-005999)

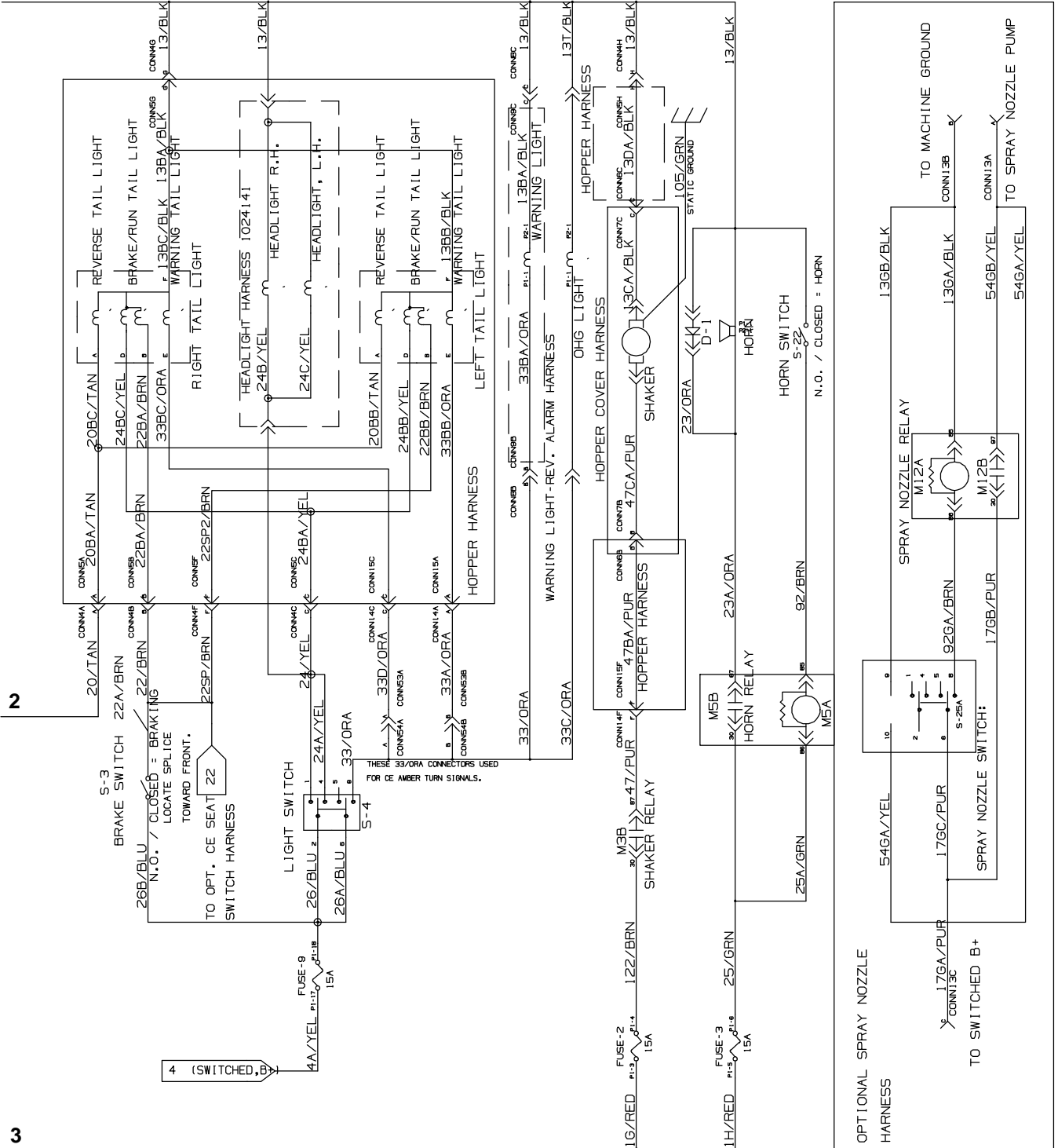


1018547 - 354458



Fig. 88 - Electrical Schematic , Mitsubishi (006000- )

1



3

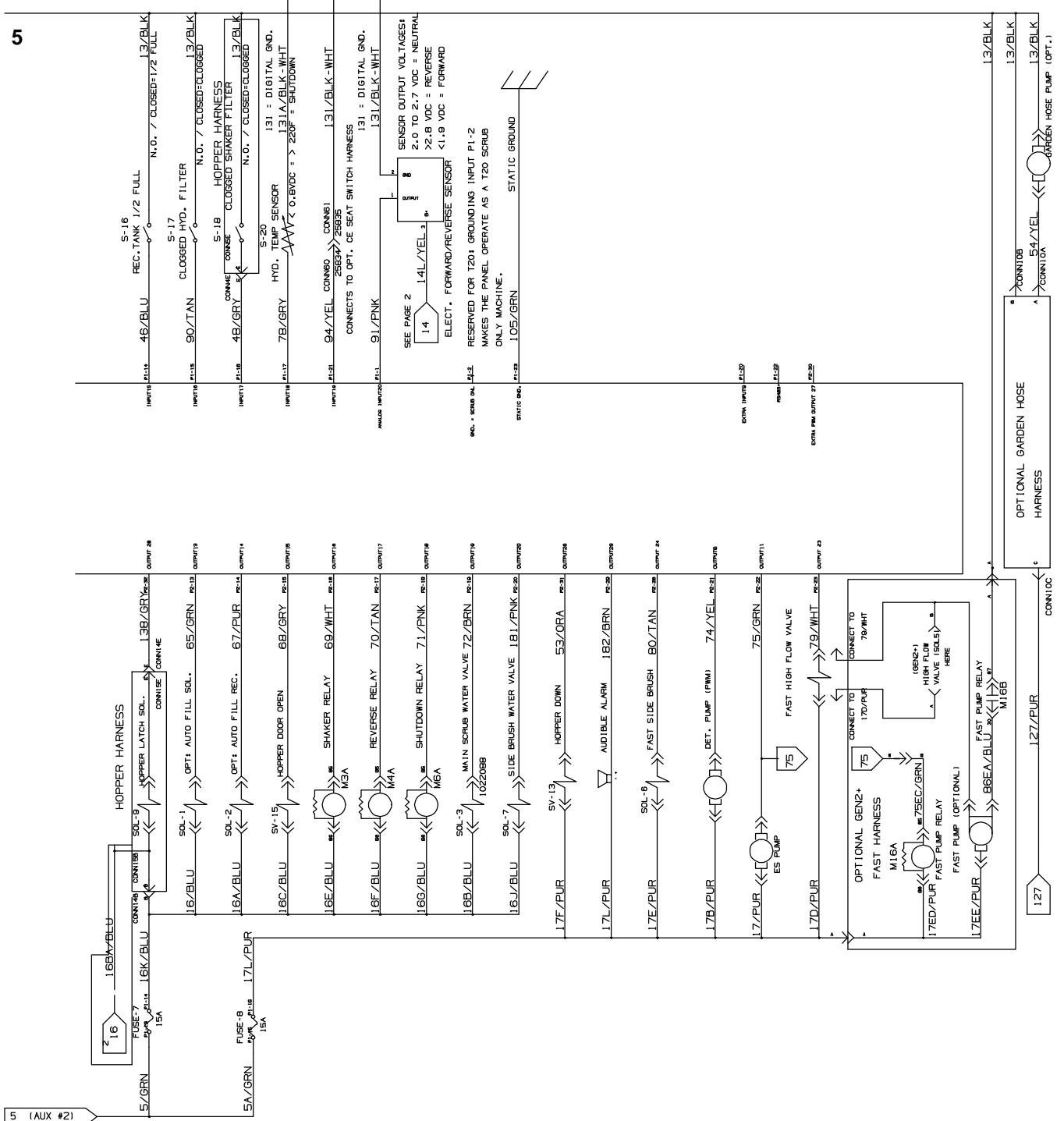
1018547 - 354458



Fig. 88 – Electrical Schematic, Mitsubishi (006000– )

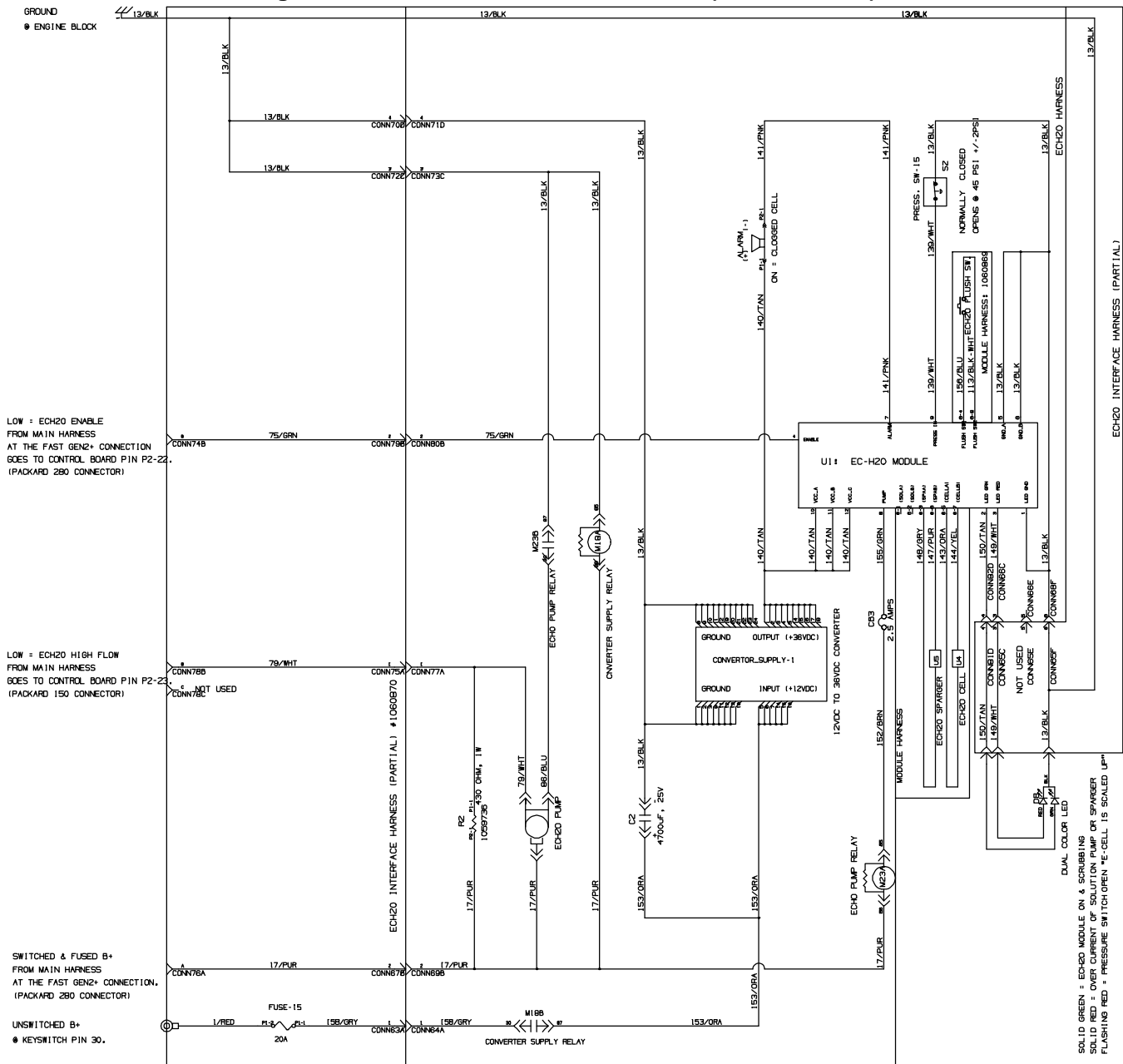
4

5



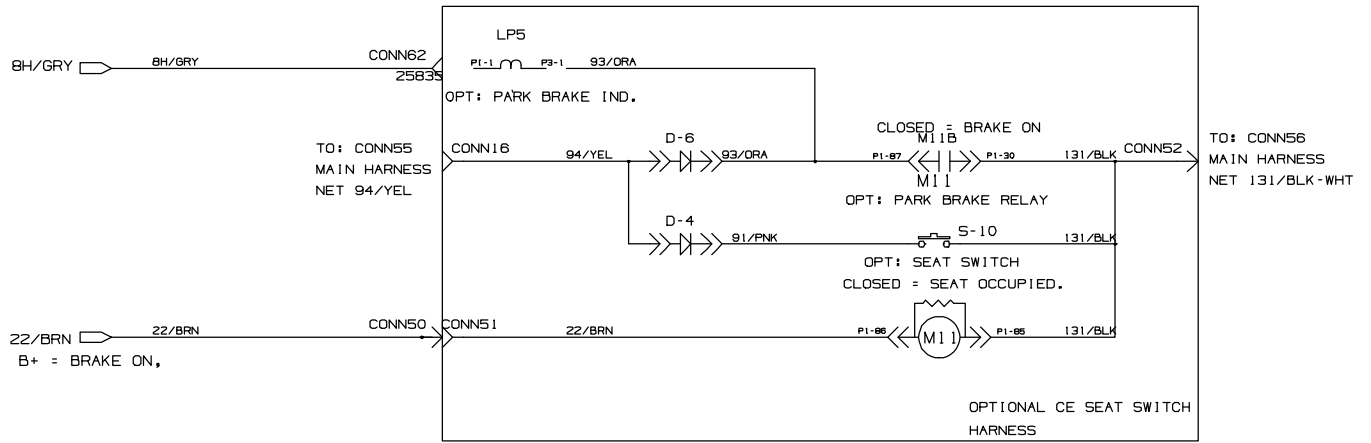
1018547 – 354458

## Fig. 88 – Electrical Schematic, Mitsubishi (006000– )



1018547 – 354458 – MITS

Fig. 88 – Electrical Schematic, Mitsubishi (006000- )



OPTIONAL CE SEAT SWITCH SHUTDOWN CIRCUIT.

1018547 – 354458 – MITS

## Fig. 89 – Electrical Schematic, Gas/LPG Engine Harness, GM (000000-001999)

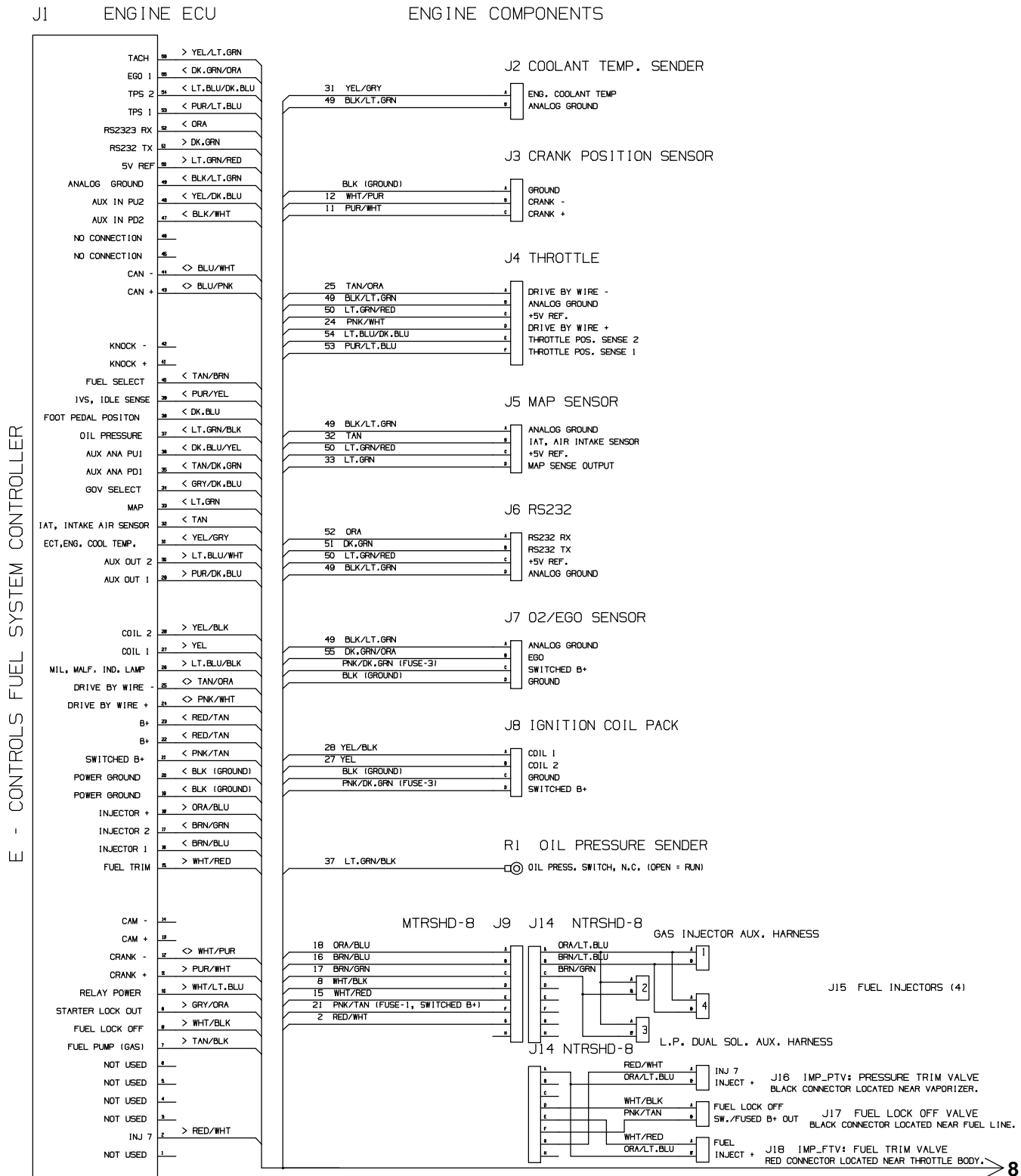
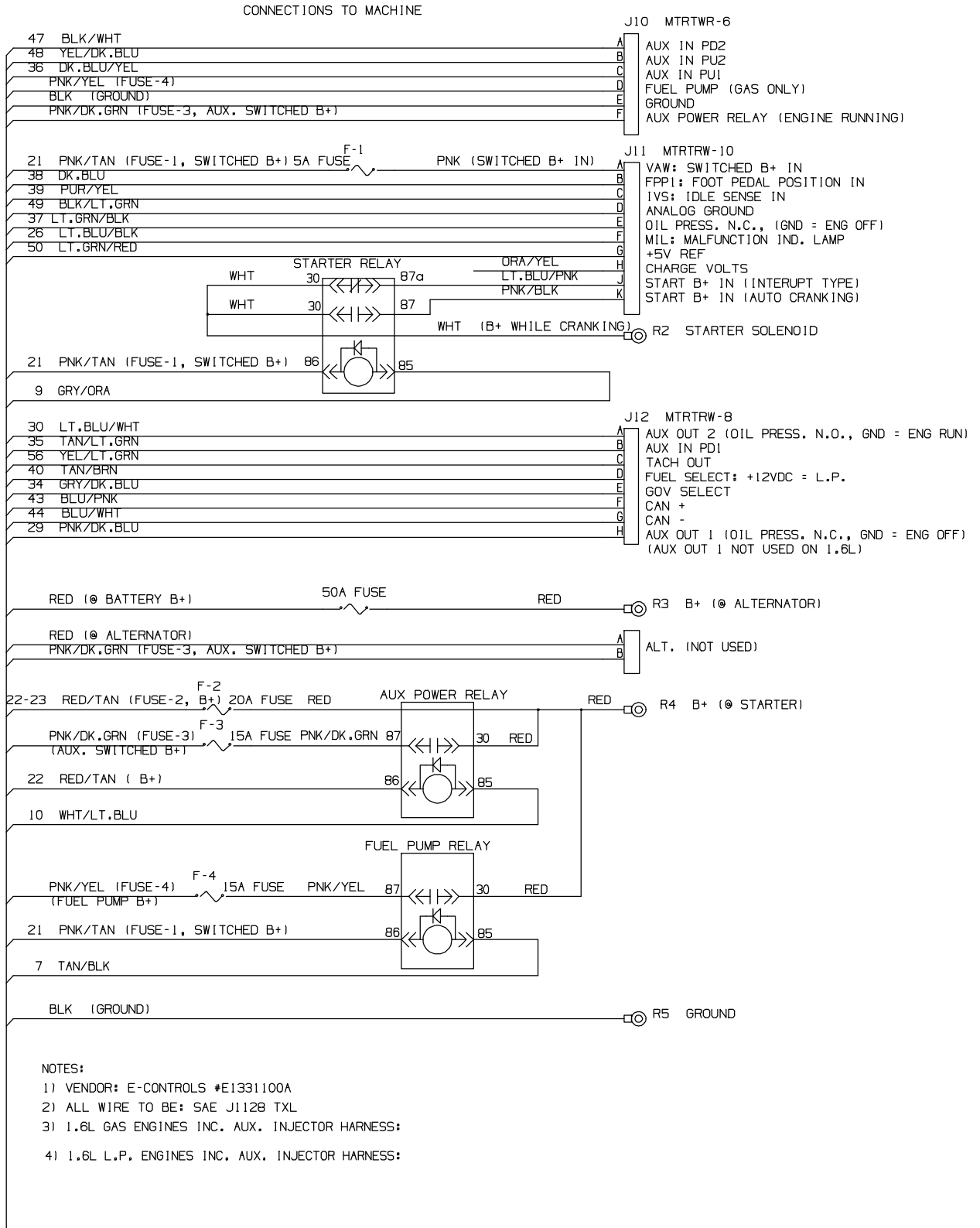


Fig. 89 – Electrical Schematic, Gas/LPG Engine Harness, GM (000000–001999)

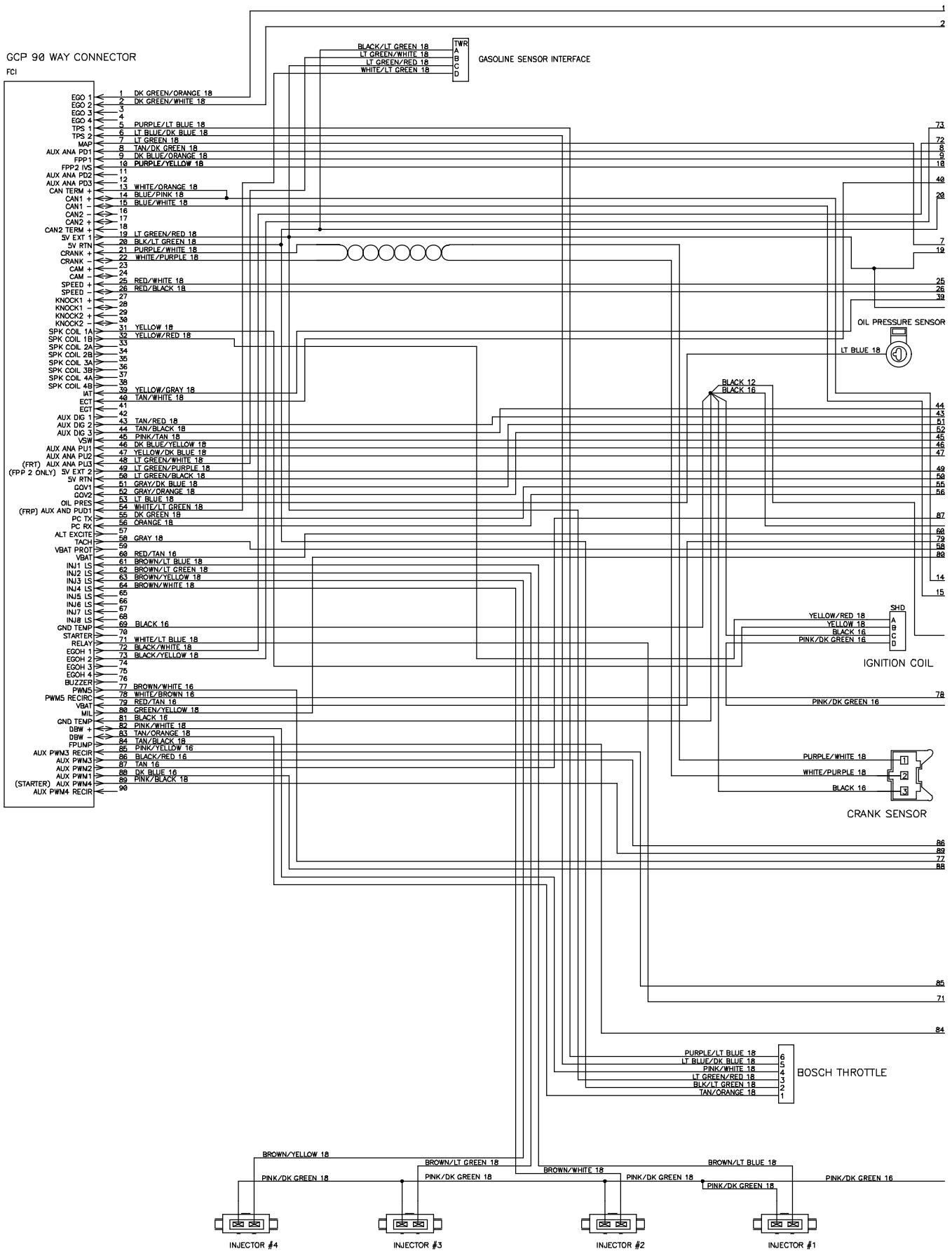


8

1018547

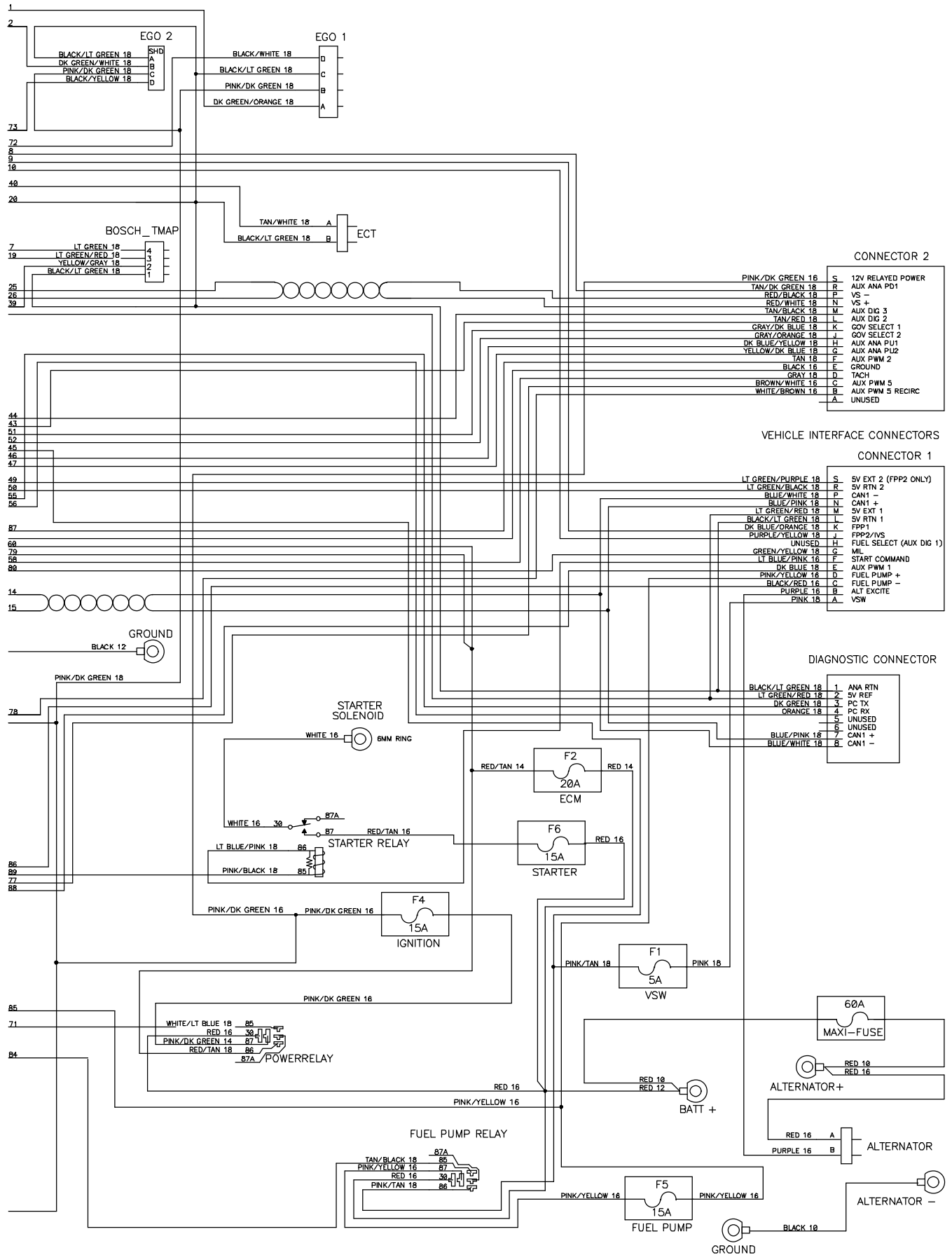
# STANDARD PARTS

Fig. 90 – Electrical Schematic, Gas Engine Harness, GM (002000-003122)



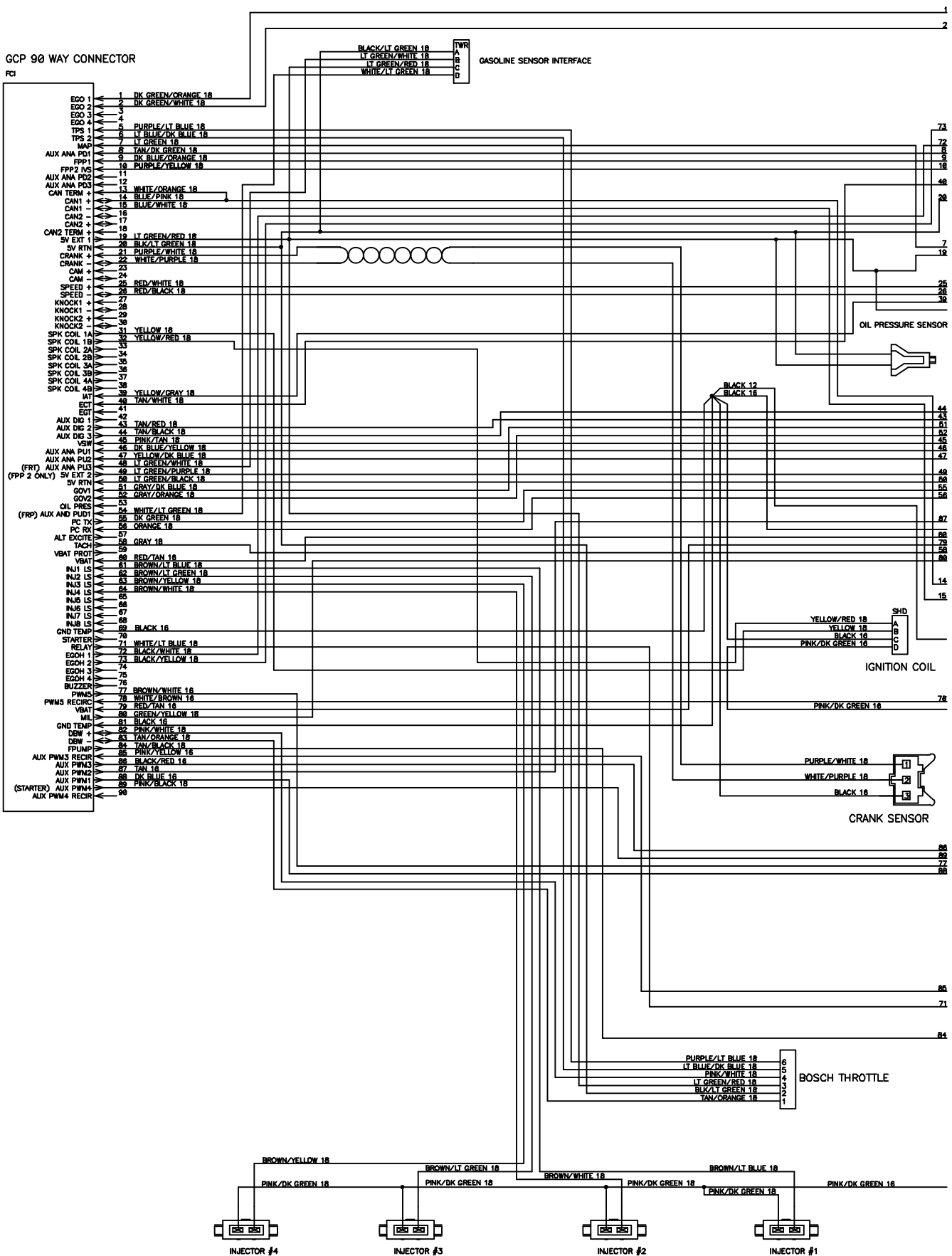
384997 - 354495

Fig. 90 – Electrical Schematic, Gas Engine Harness, GM (002000-003122)



# STANDARD PARTS

Fig. 91 – Electrical Schematic, Gas Engine Harness, GM (003123-005999)



384997 - 354495

Fig. 91 – Electrical Schematic, Gas Engine Harness, GM (003123-005999)

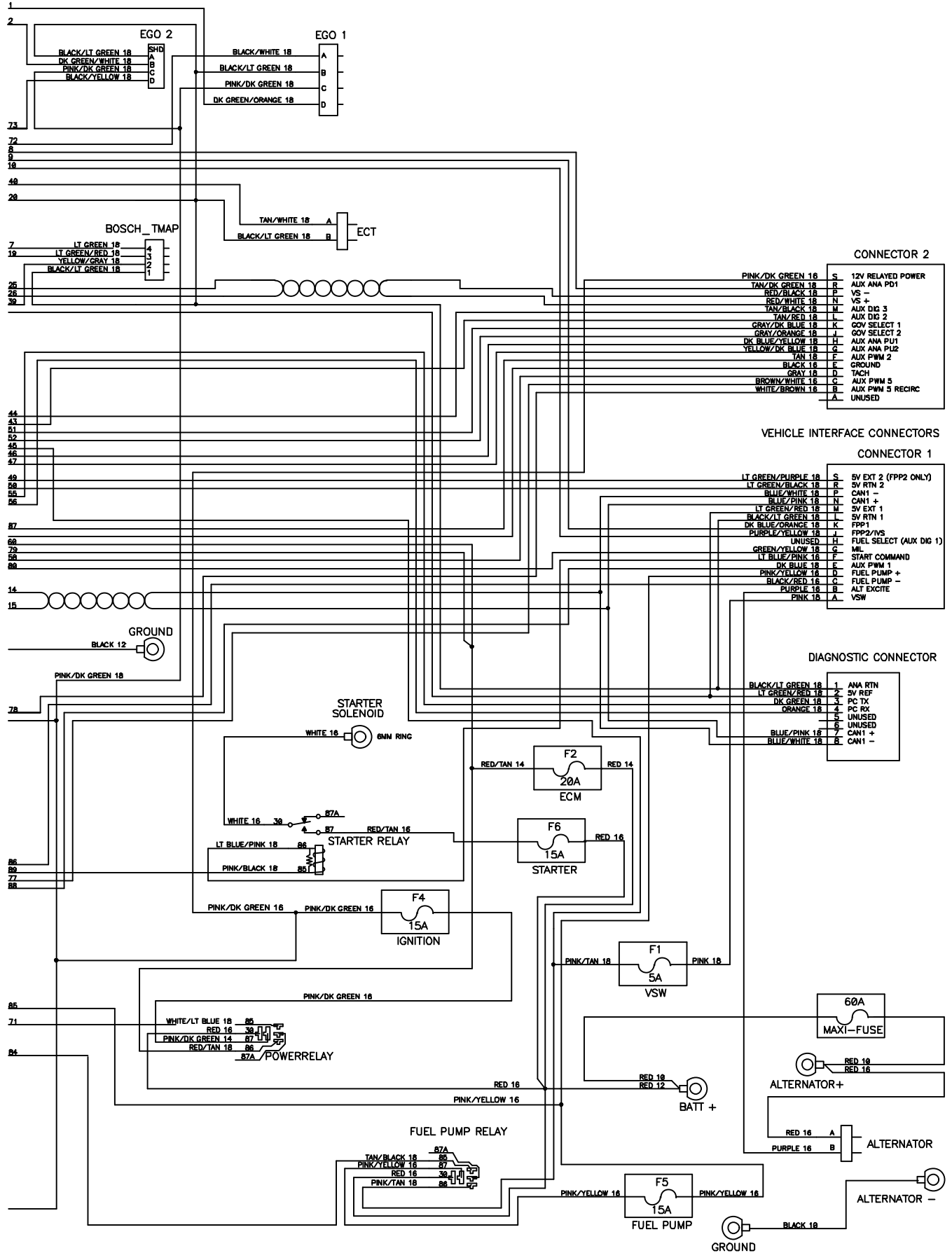
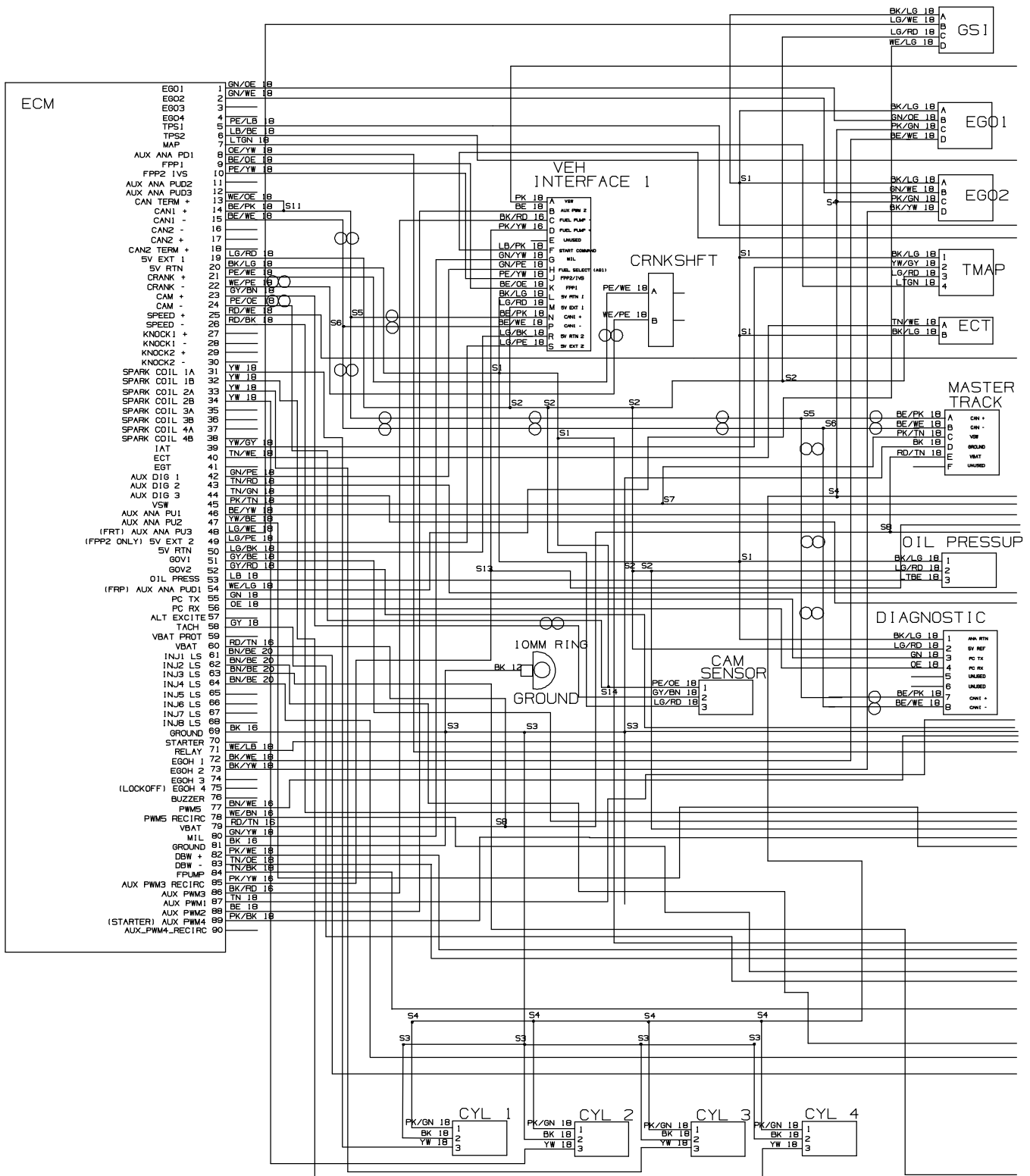
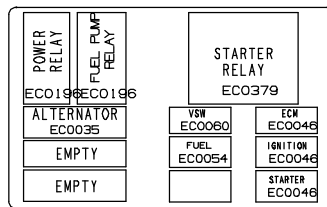
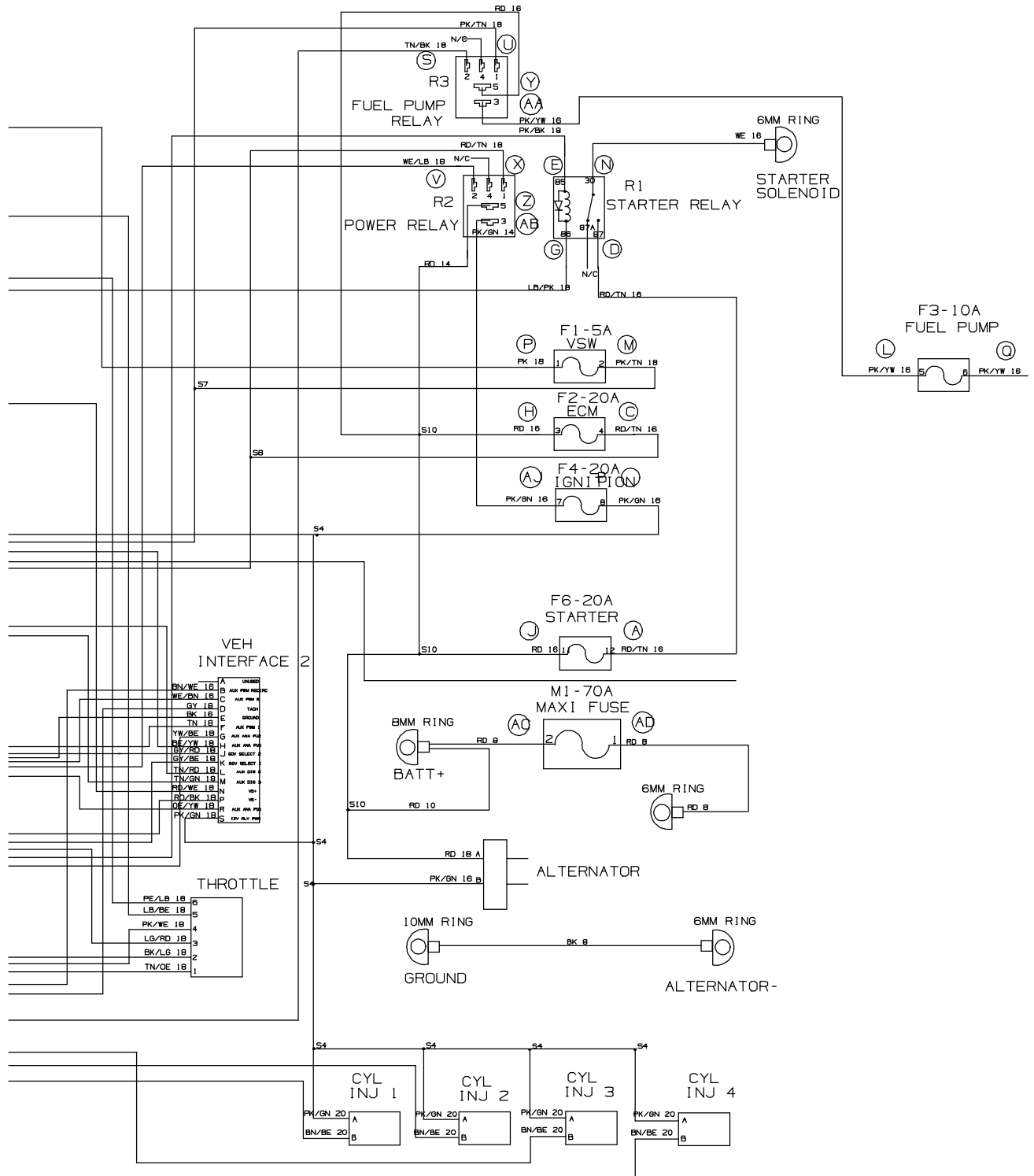


Fig. 92 – Electrical Schematic, Gas Engine Harness, Mitsubishi (006000- )

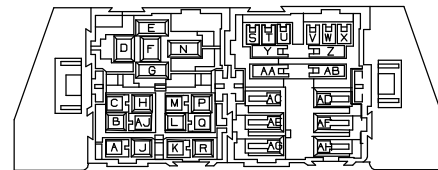


1071653-356303

Fig. 92 – Electrical Schematic, Gas Engine Harness, Mitsubishi (006000- )



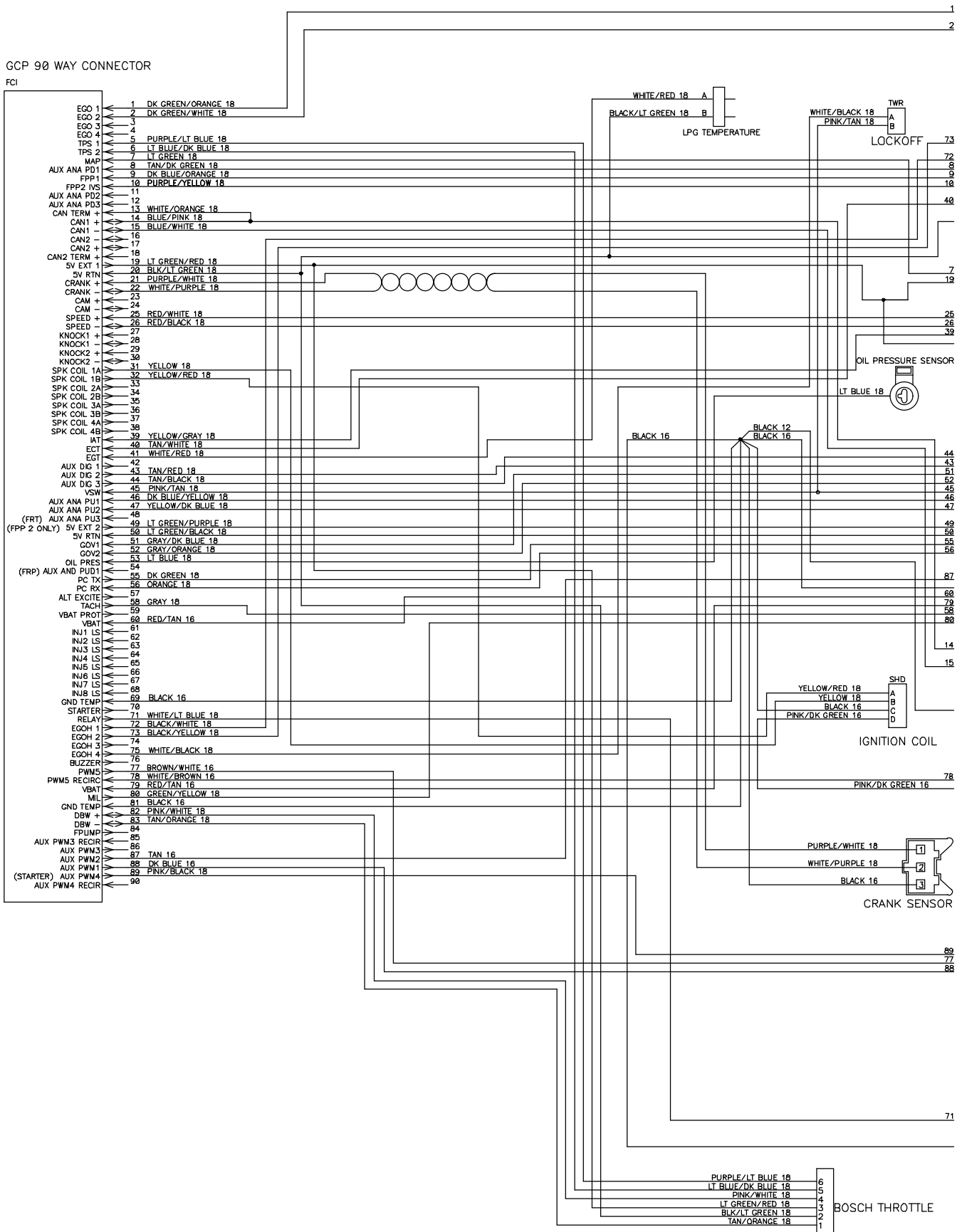
LOADING VIEW



CB0186  
WIRE INSERTION VIEW

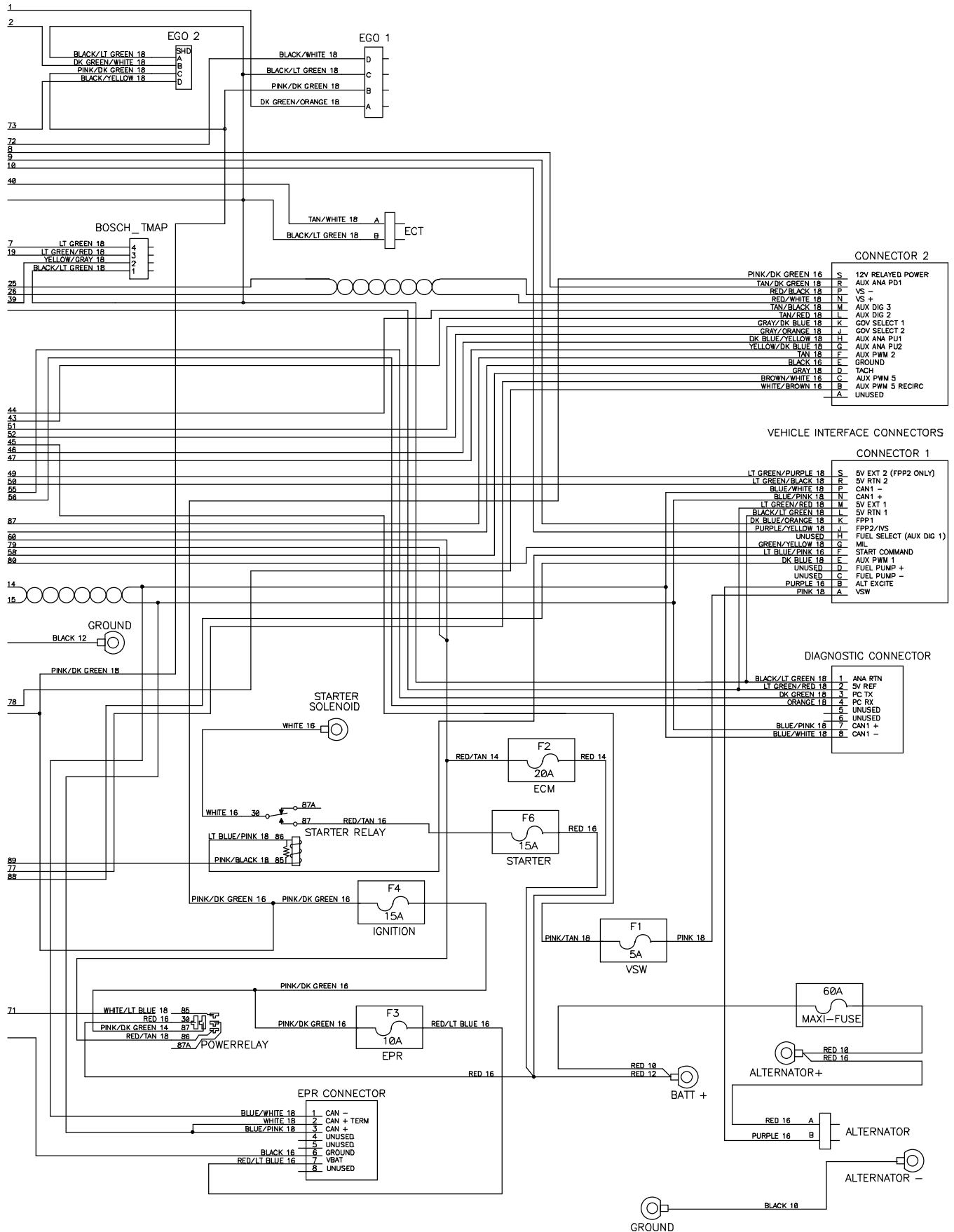
# STANDARD PARTS

Fig. 93 – Electrical Schematic, LPG Engine Harness, GM (002000-003122)



384990 - 354497

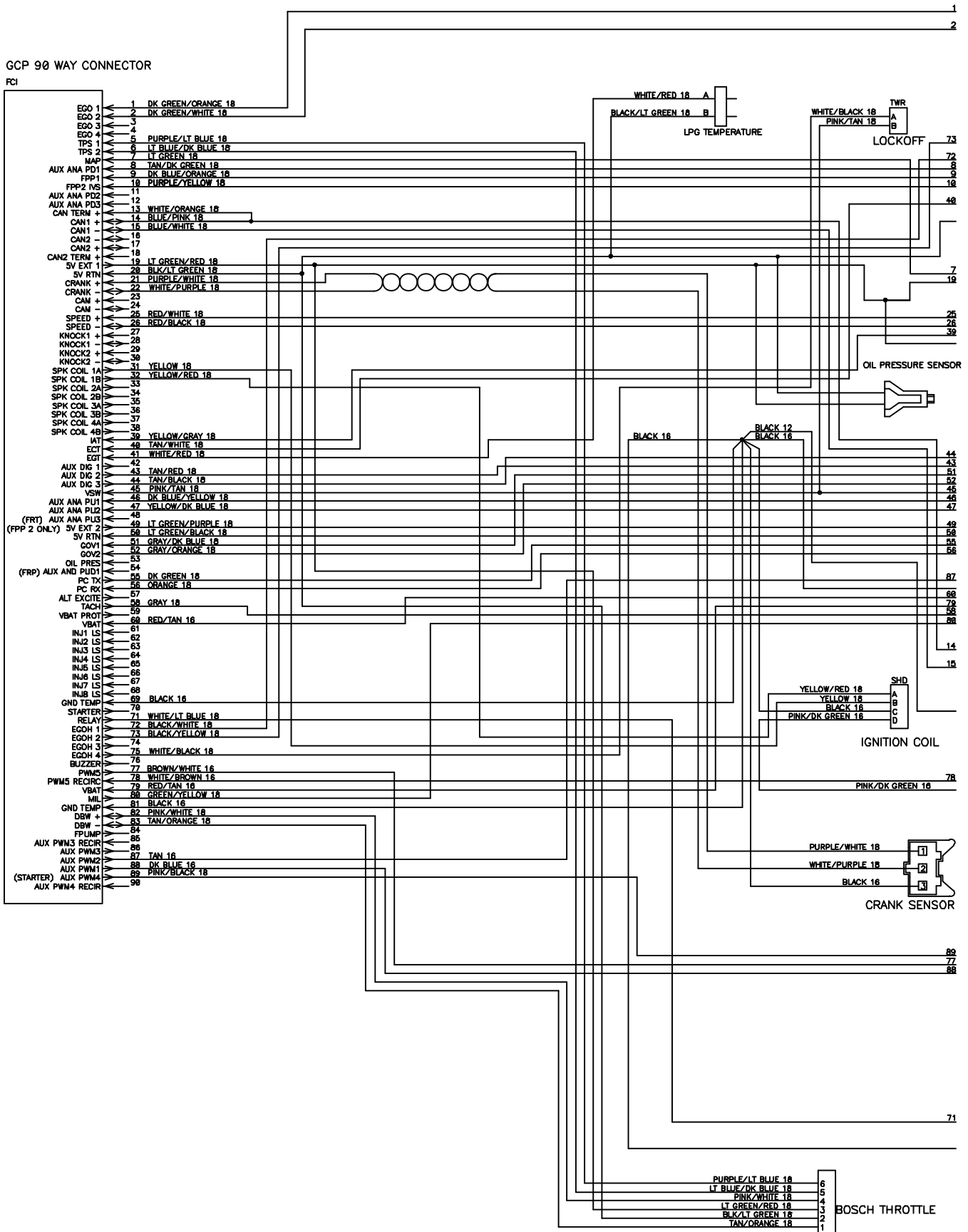
Fig. 93 – Electrical Schematic, LPG Engine Harness, GM (002000-003122)



384990 - 354498

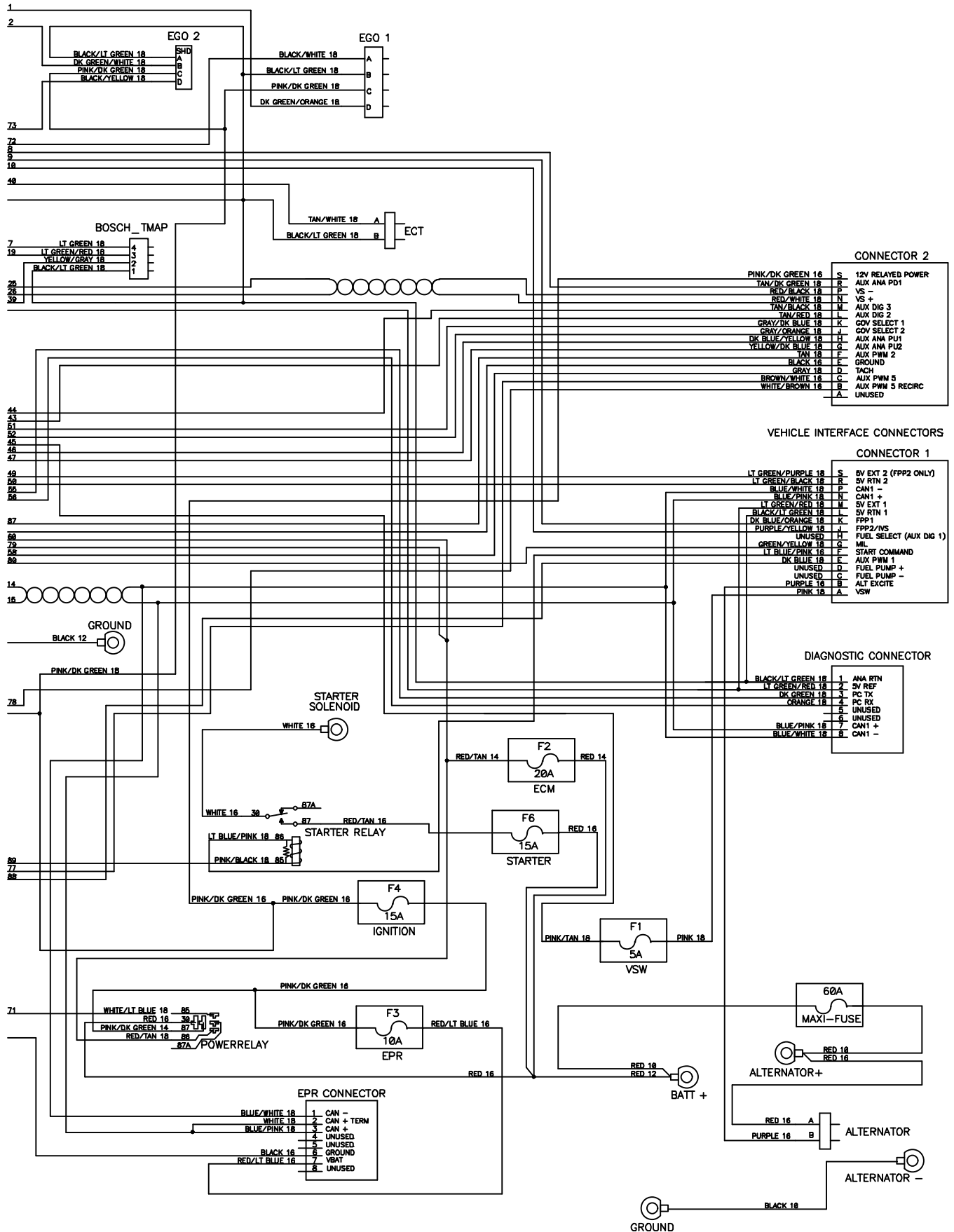
# STANDARD PARTS

Fig. 94 – Electrical Schematic, LPG Engine Harness, GM (003123–005999)



384990 – 354497

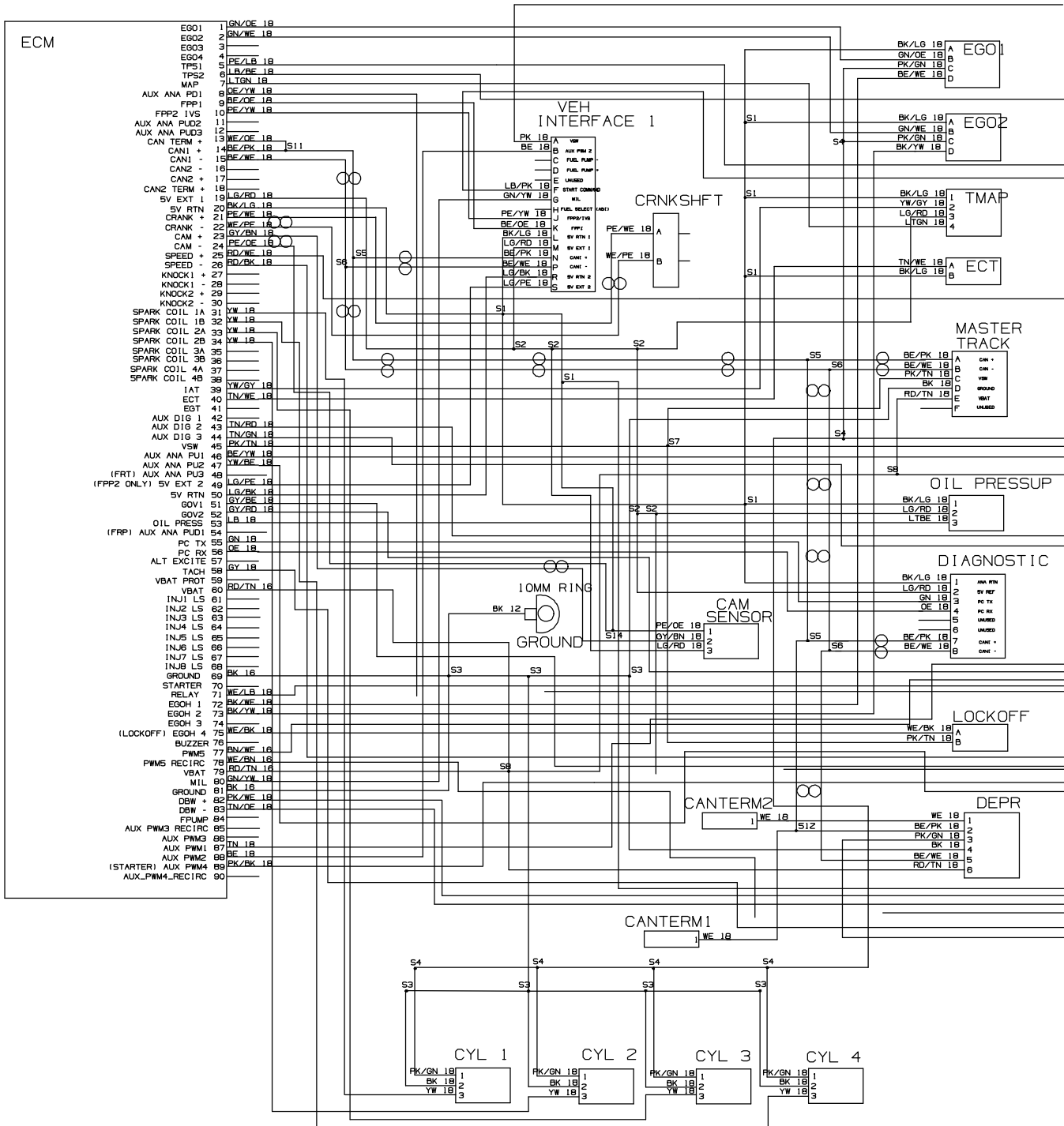
Fig. 94 – Electrical Schematic, LPG Engine Harness, GM (003123-005999)



384990 - 354498

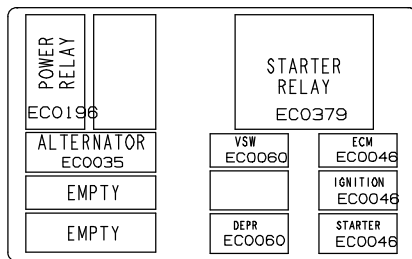
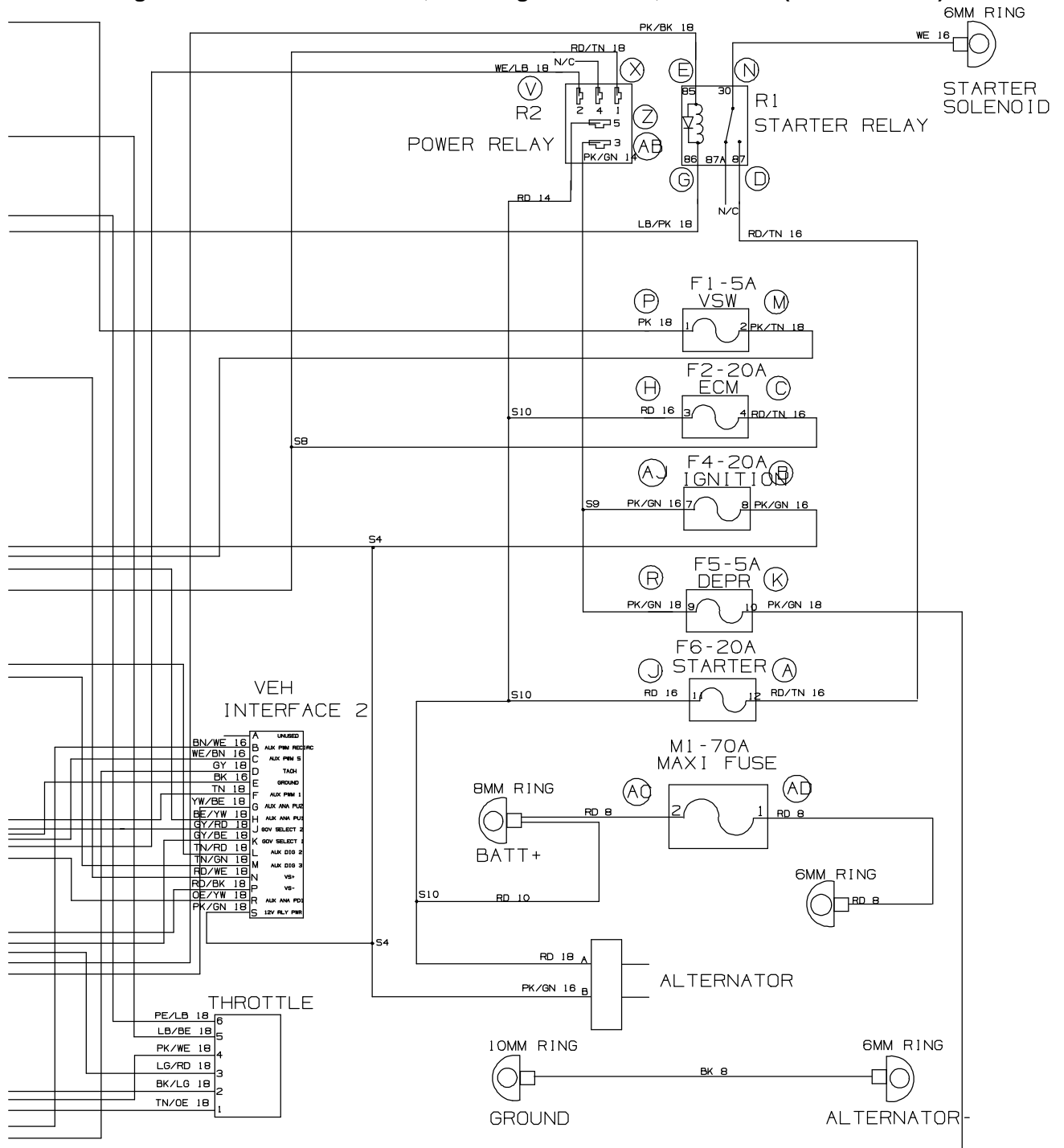
# STANDARD PARTS

Fig. 95 – Electrical Schematic, LPG Engine Harness, Mitsubishi (006000– )

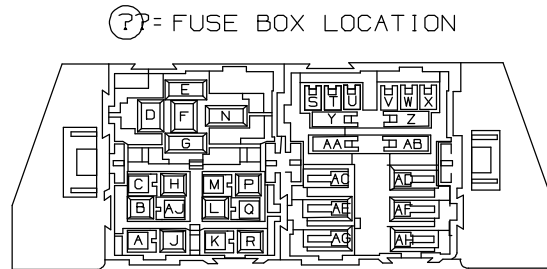


1071654-356304

Fig. 95 – Electrical Schematic, LPG Engine Harness, Mitsubishi (006000- )



LOADING VIEW



CBO186  
WIRE INSERTION VIEW

Fig. 96 - Electrical Wire Harnesses Group, Main

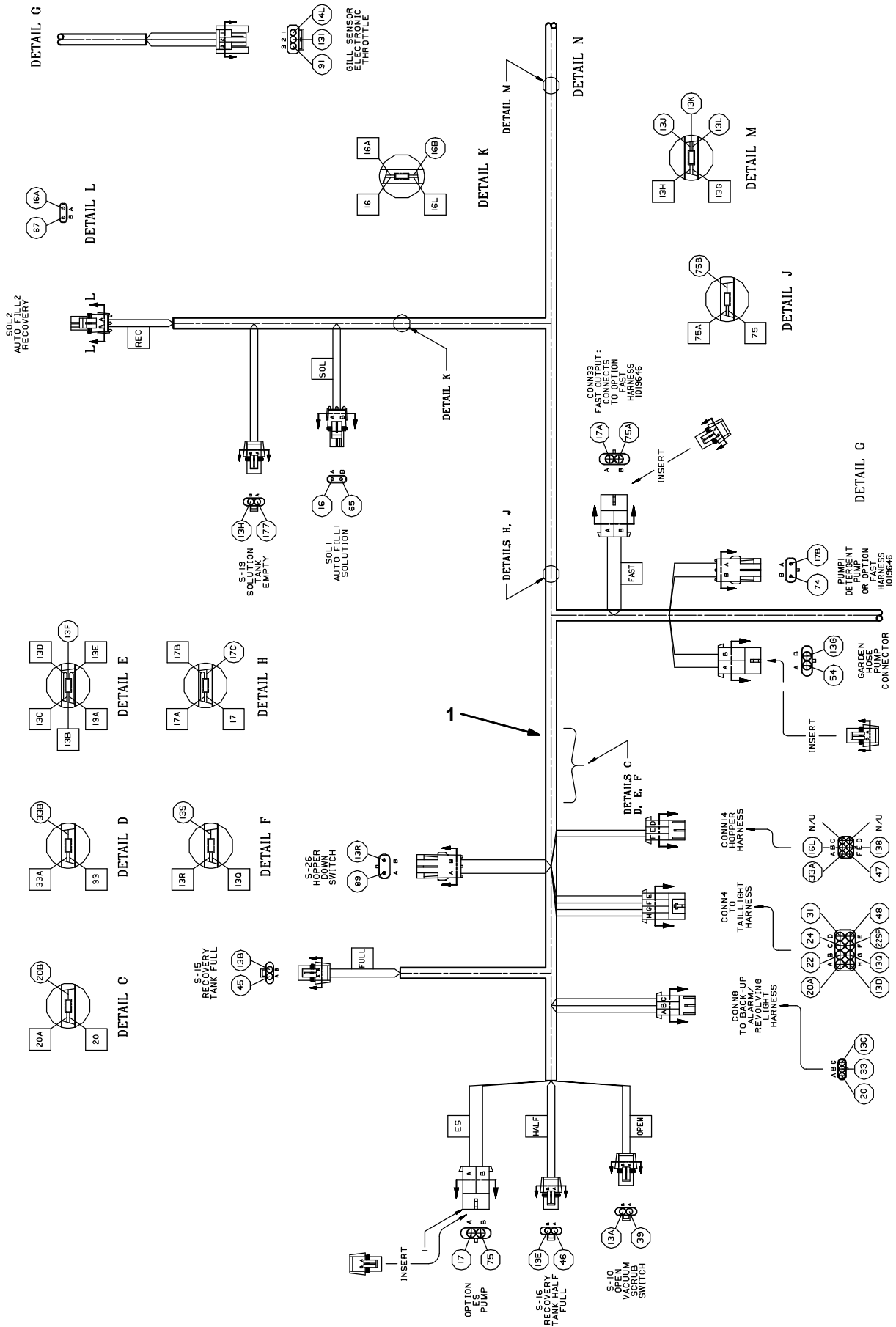
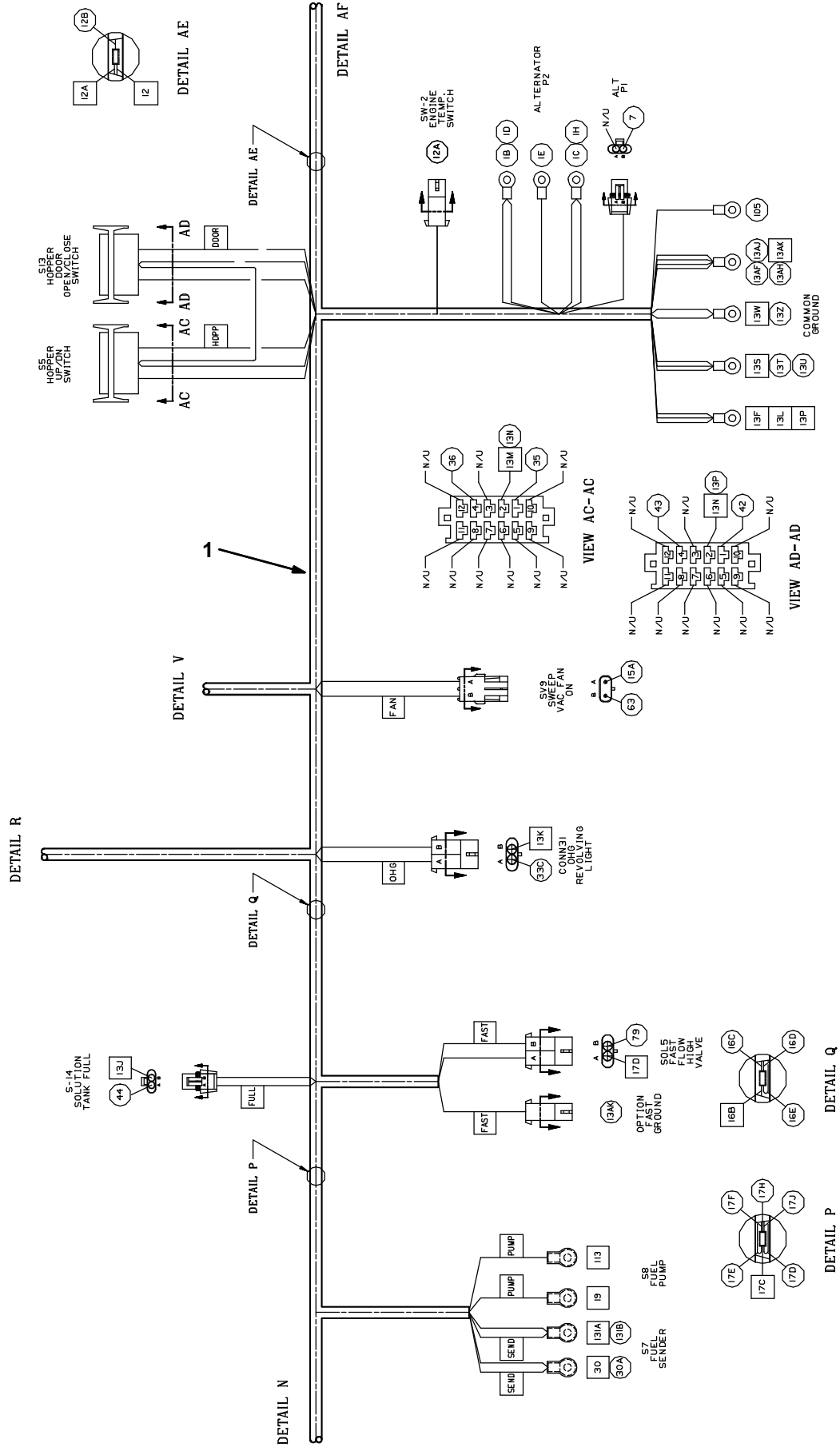


Fig. 96 - Electrical Wire Harness Group, Main



## Fig. 96 – Electrical Wire Harness Group, Main

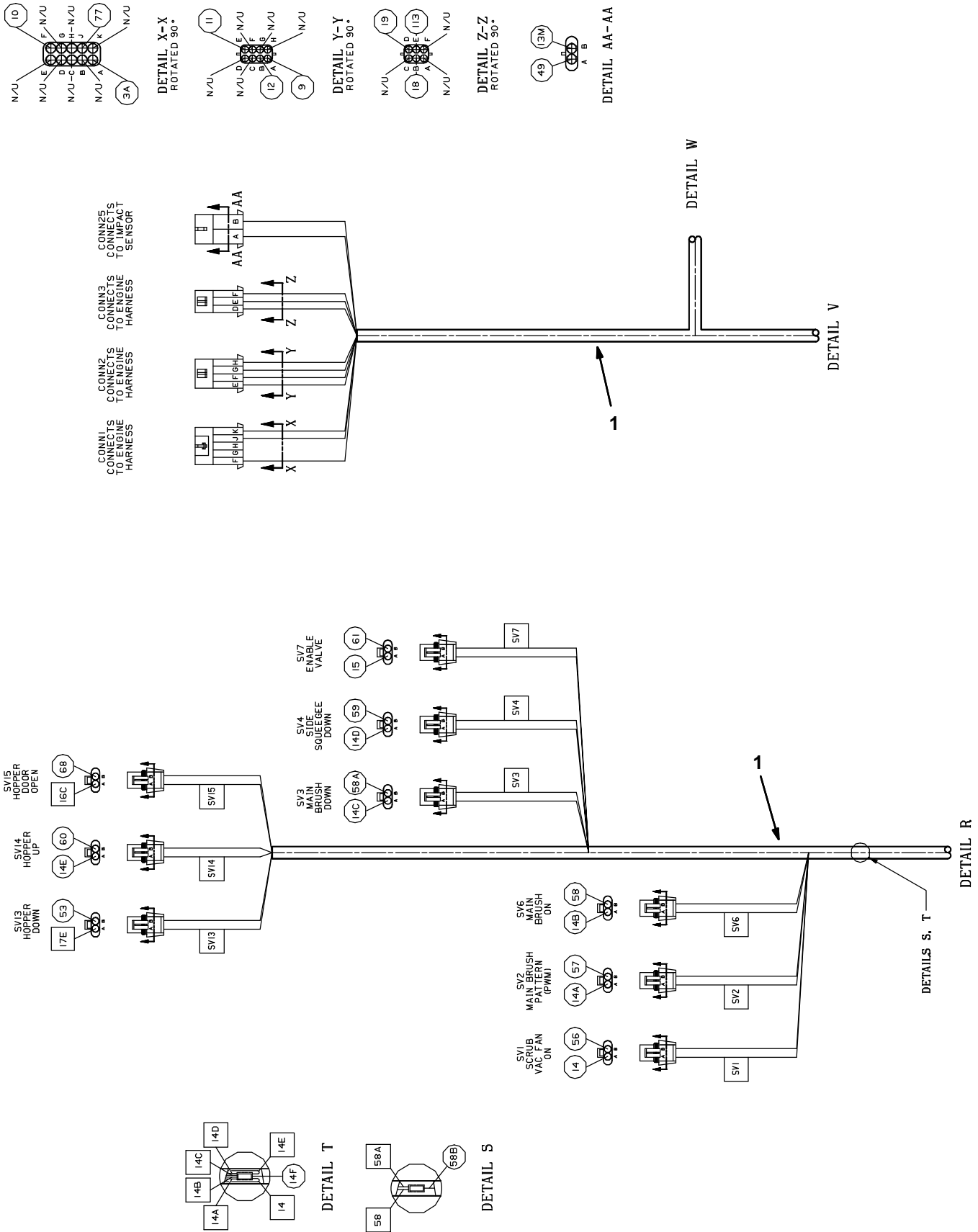


Fig. 96 - Electrical Wire Harness Group, Main

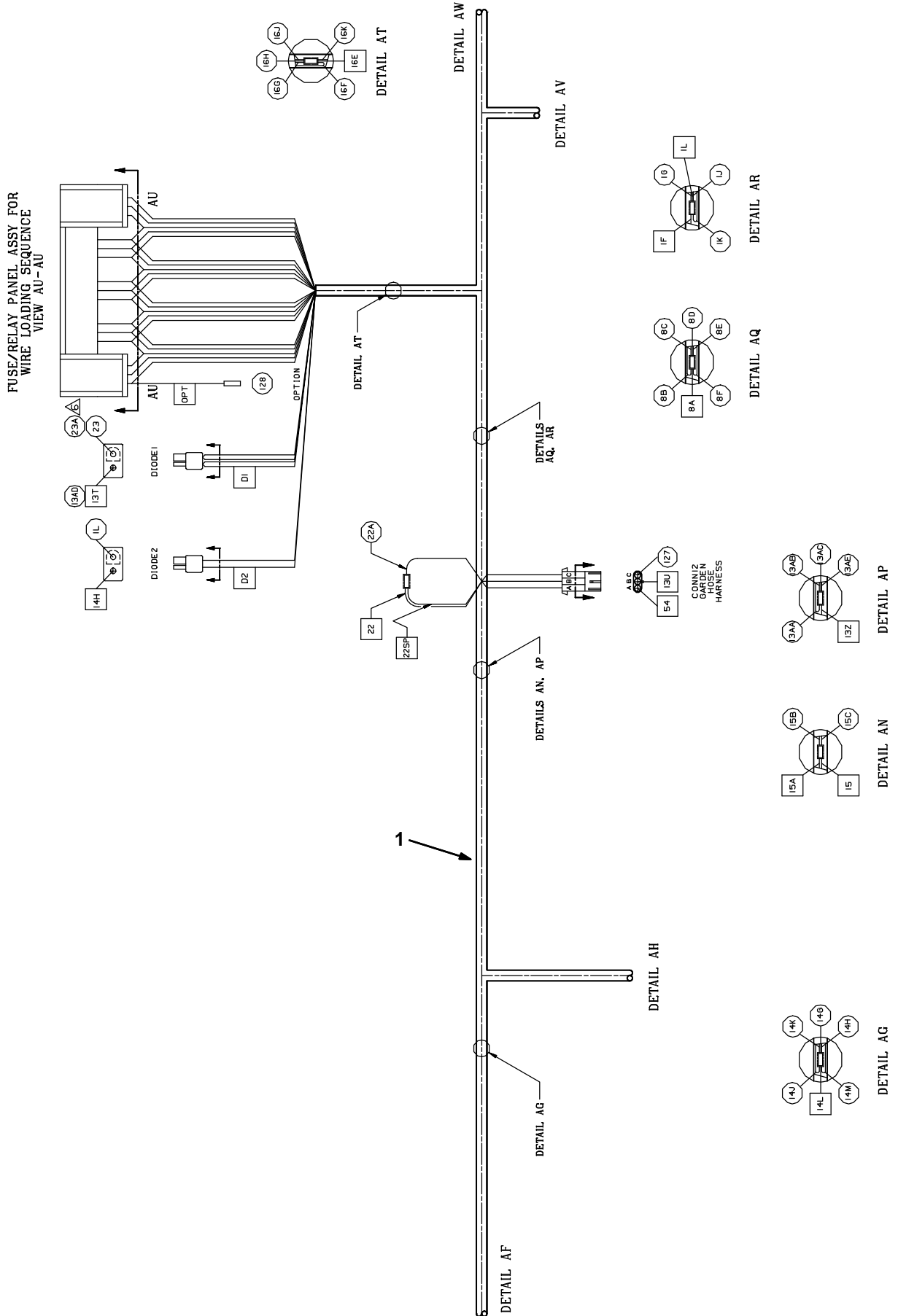


Fig. 96 - Electrical Wire Harness Group, Main

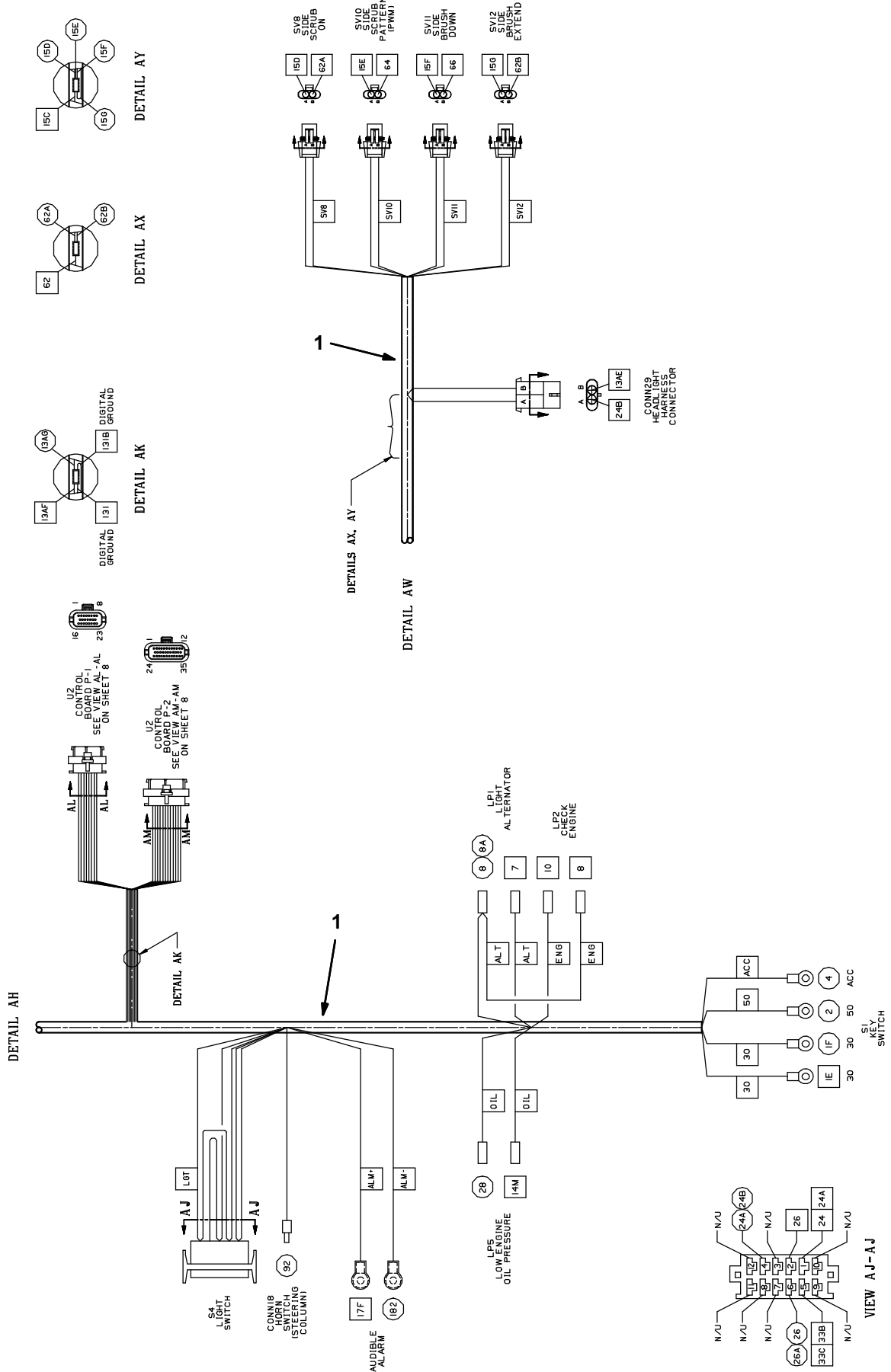
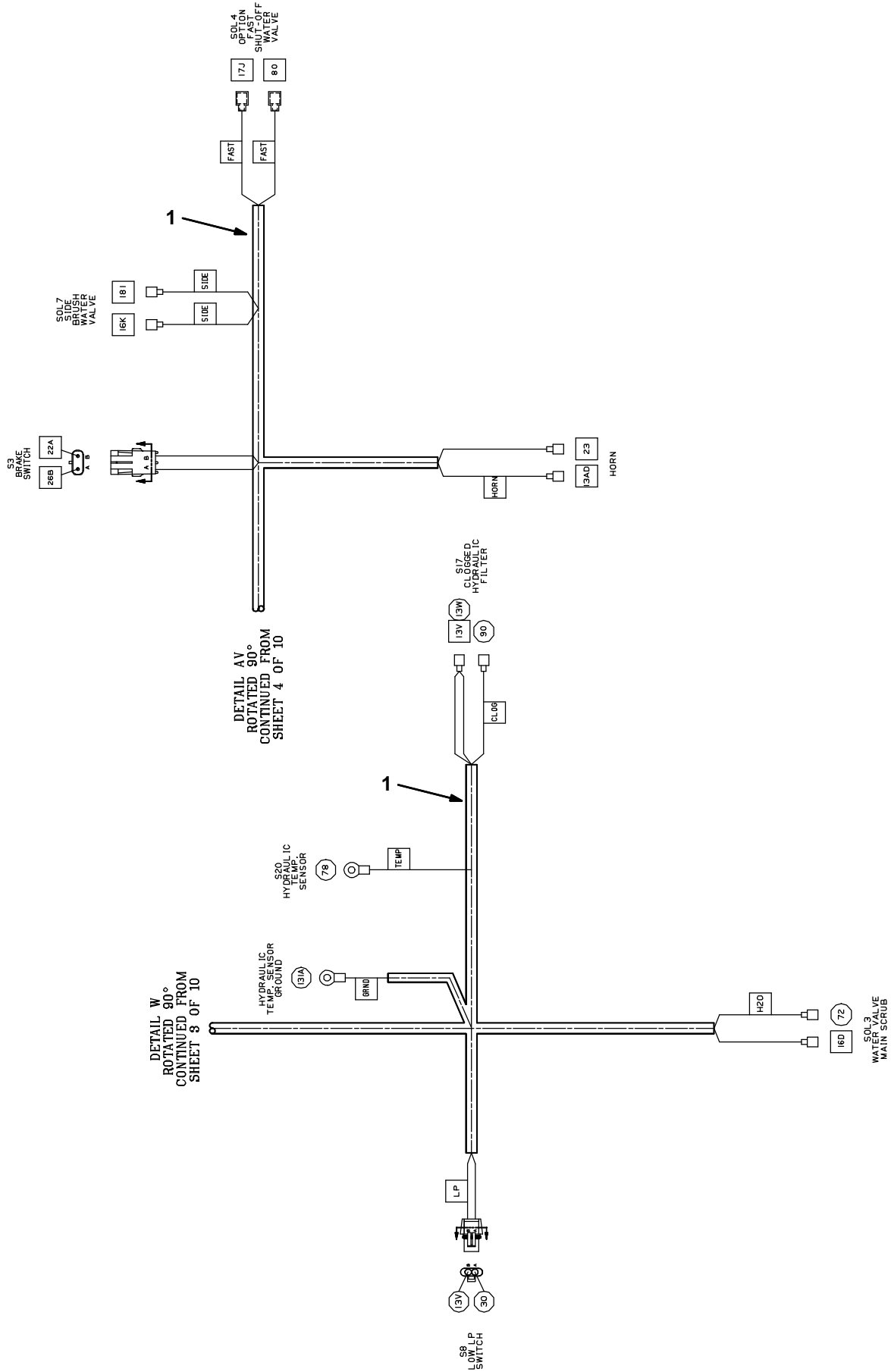


Fig. 96 – Electrical Wire Harness Group, Main



## Fig. 96 – Electrical Wire Harness Group, Main

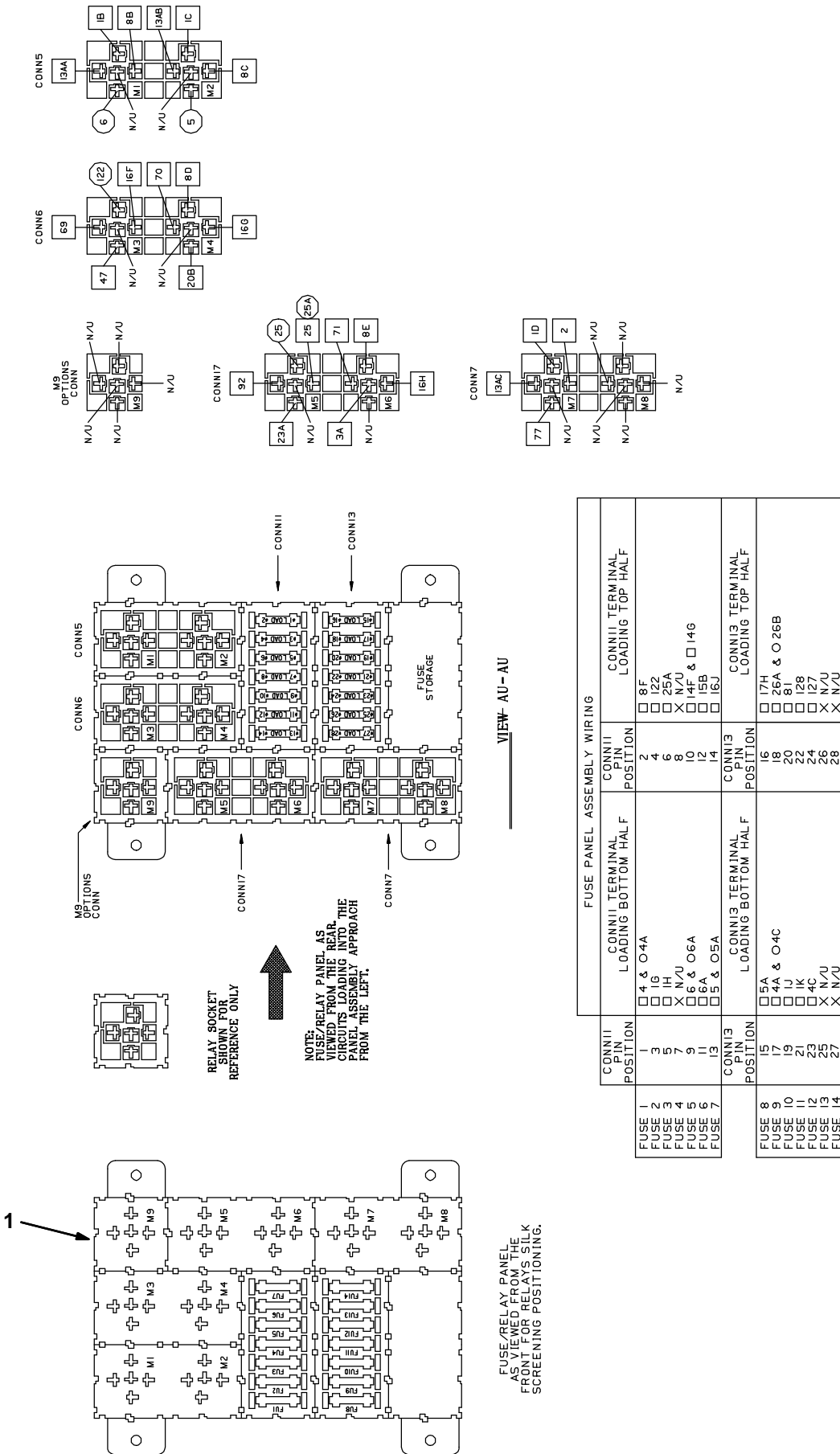


Fig. 96 - Electrical Wire Harness Group, Main

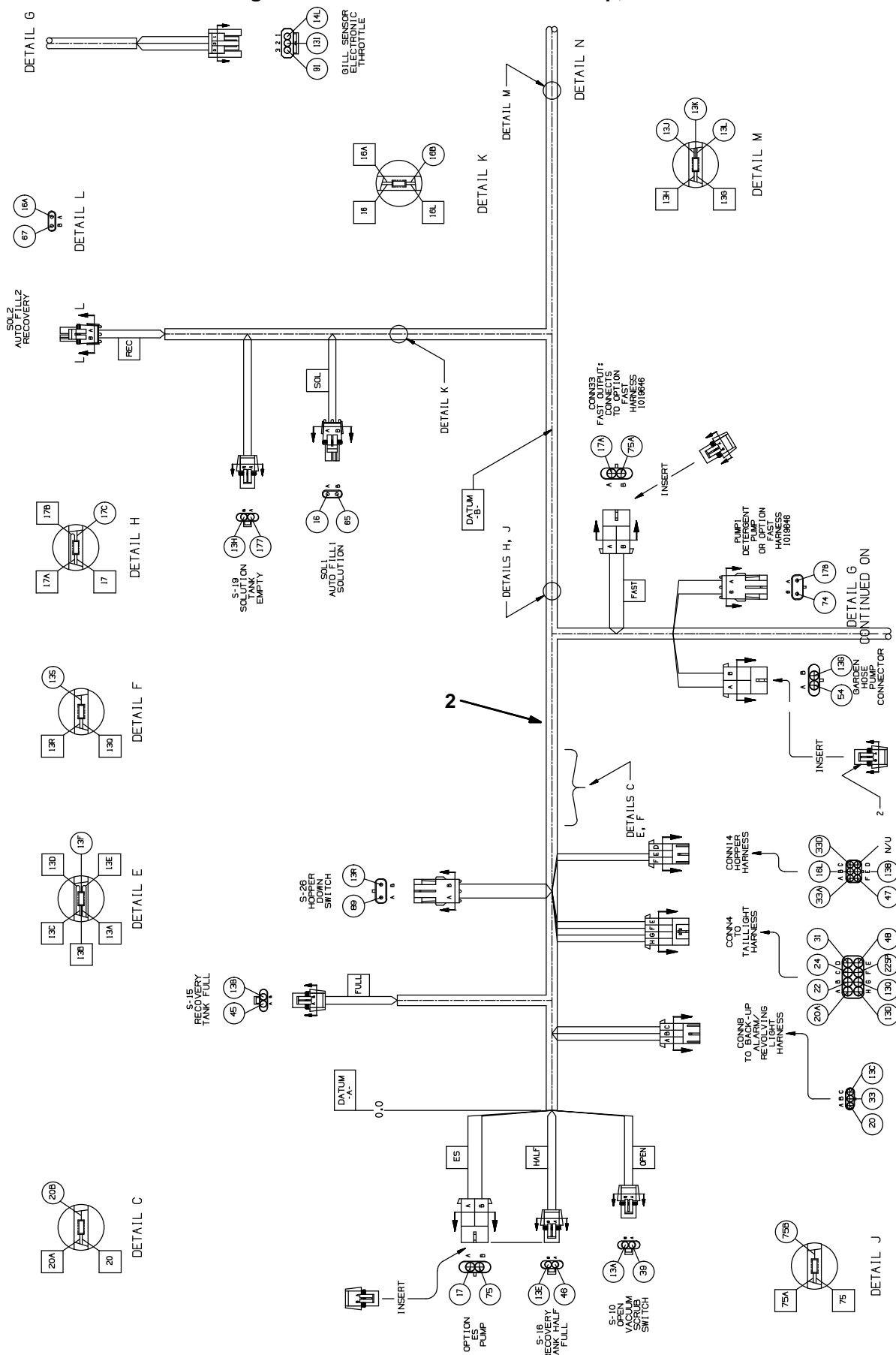




Fig. 96 – Electrical Wire Harness Group, Main

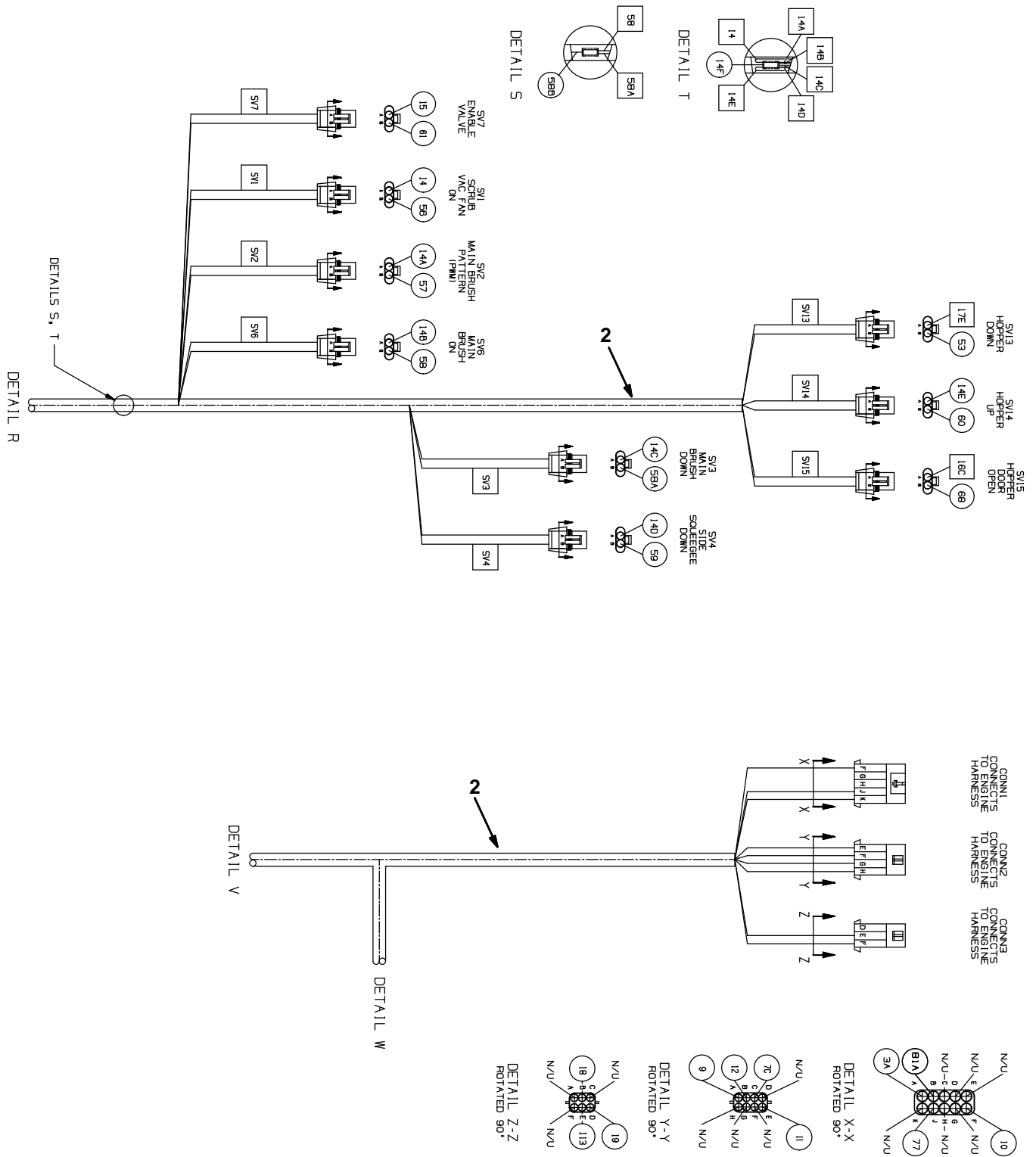


Fig. 96 - Electrical Wire Harness Group, Main

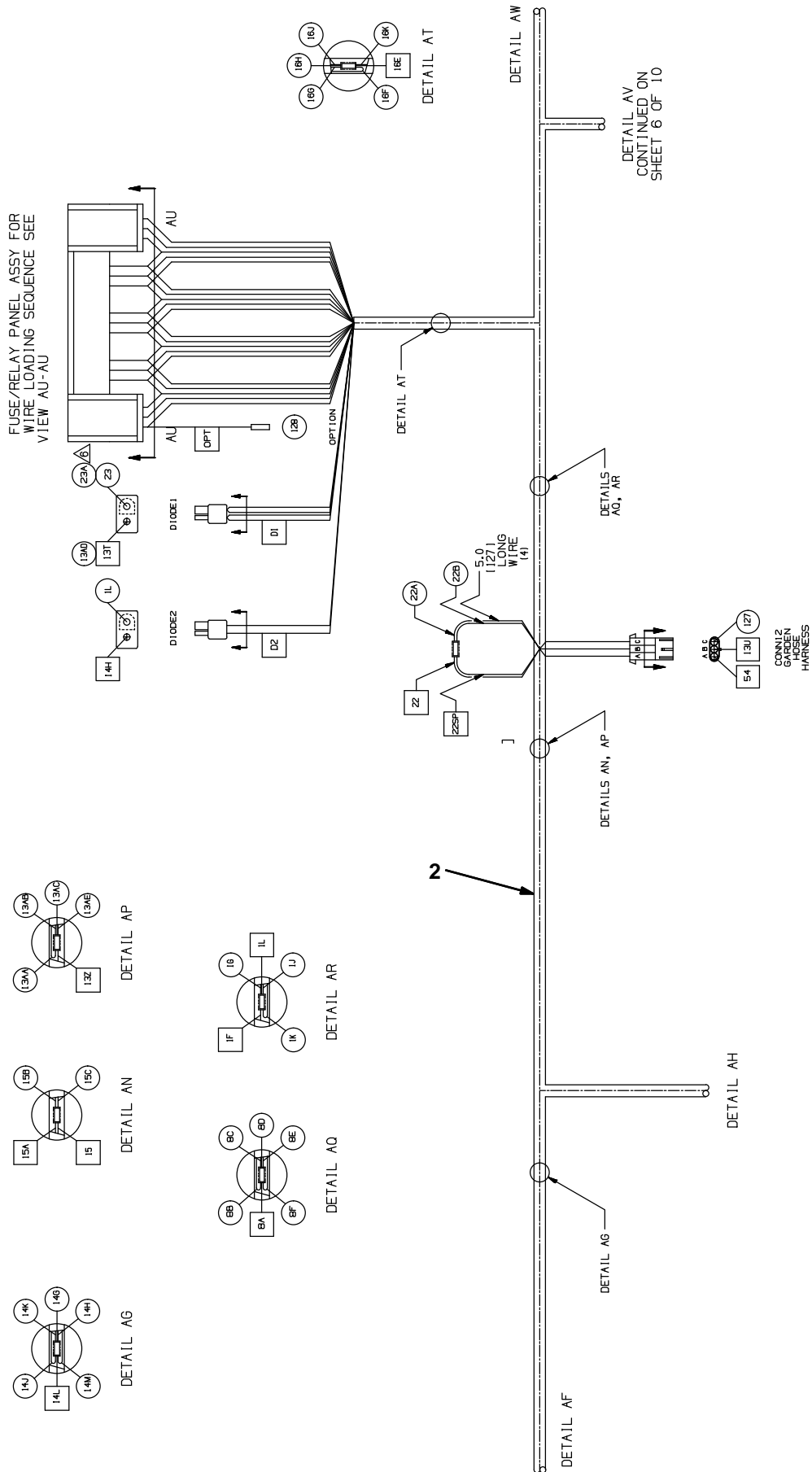
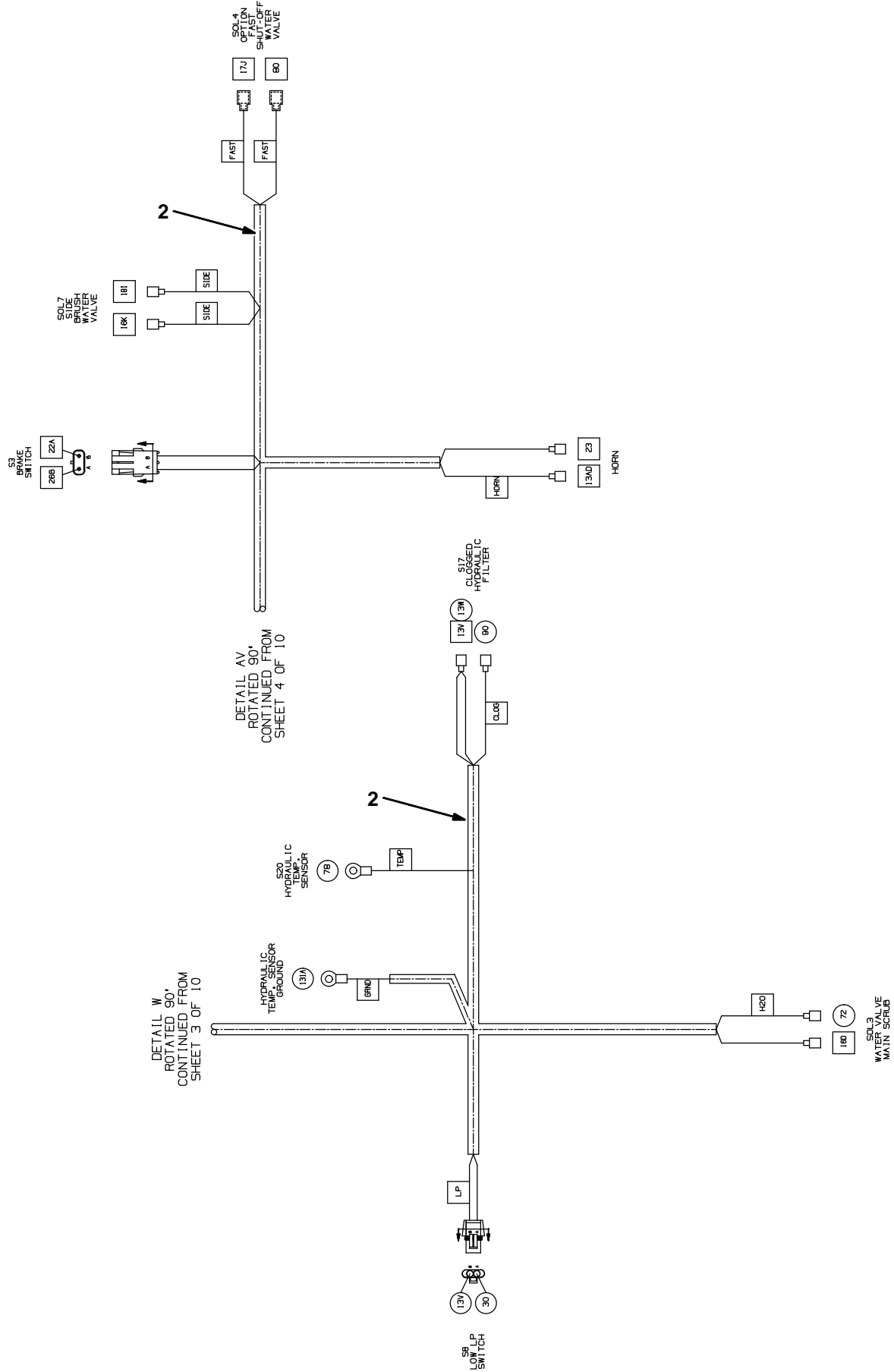




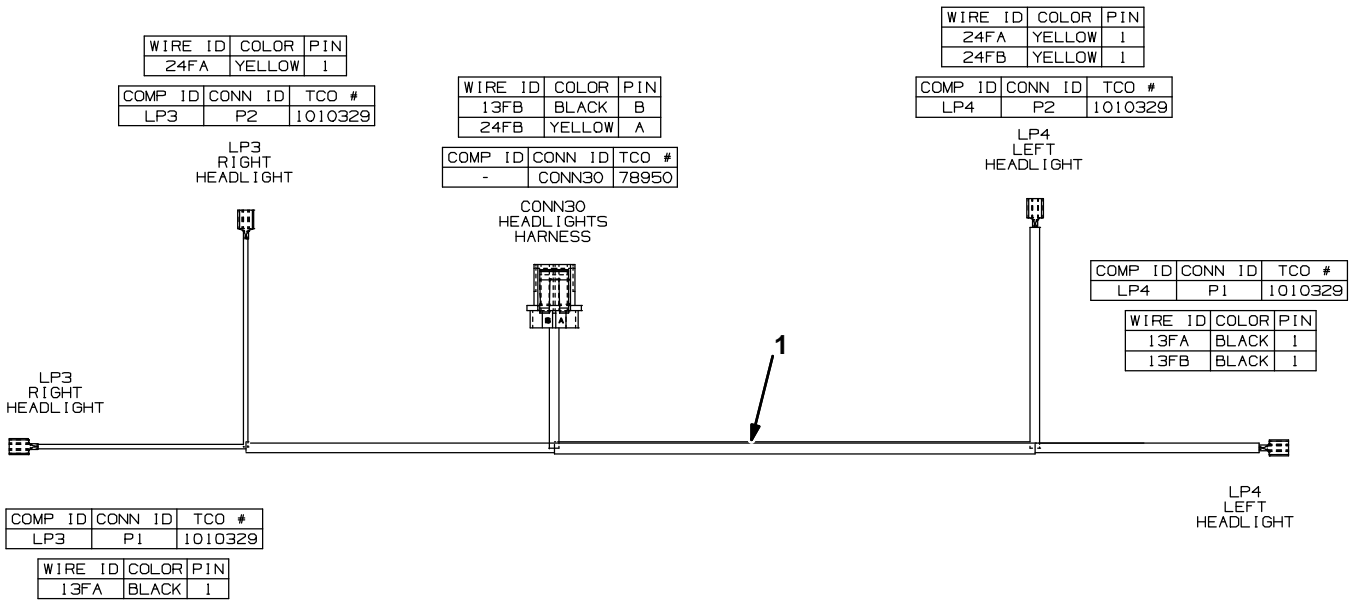
Fig. 96 – Electrical Wire Harness Group, Main





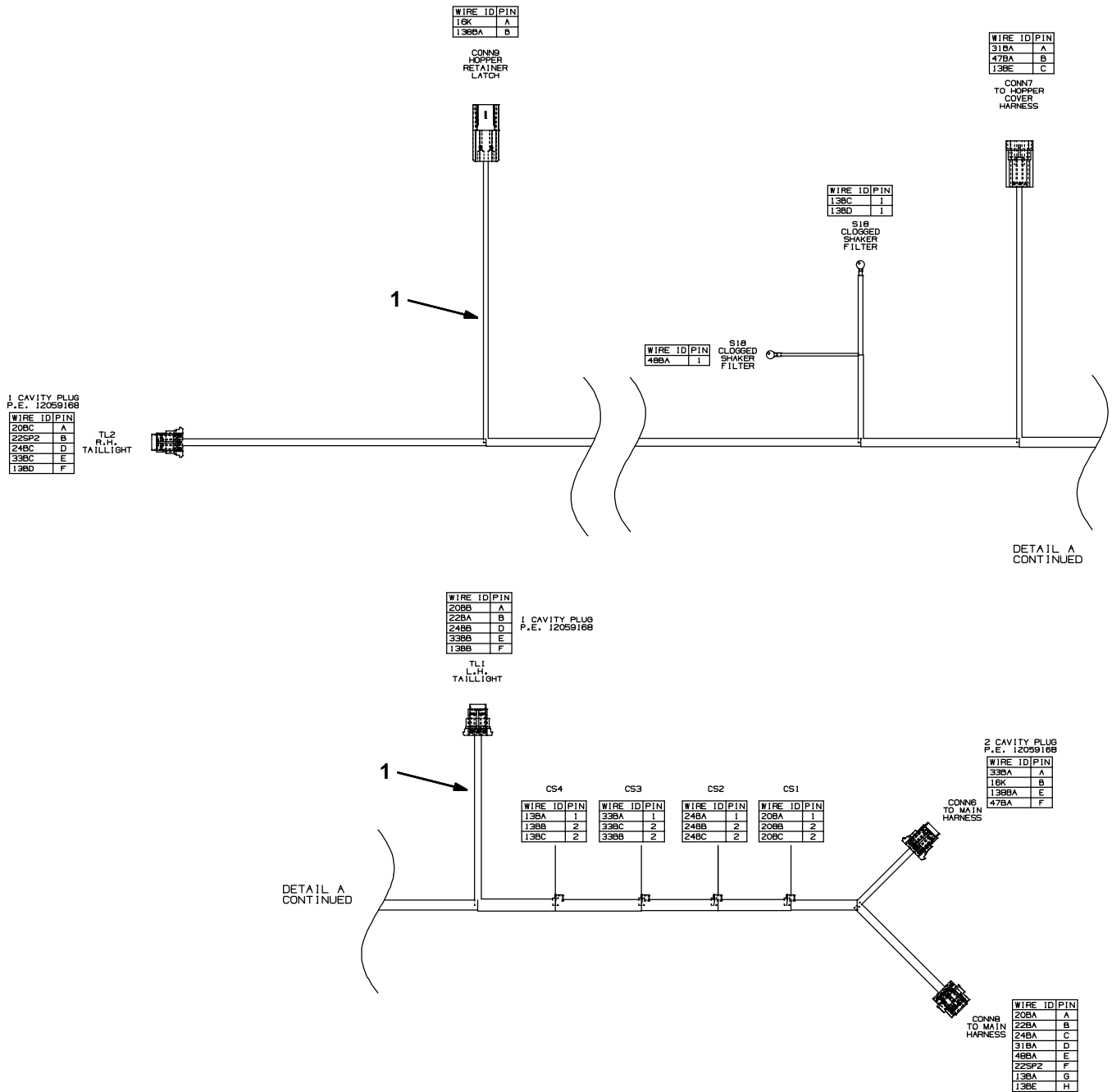
# STANDARD PARTS

Fig. 97 – Electrical Wire Harness Group, Headlight



Ref.	Part No.	Serial Number	Description	Qty.
1	1024141	(000000– )	Harness, Headlight [M20 And T20]	1

Fig. 98 – Electrical Wire Harness Group, Hopper



## Fig. 98 – Electrical Wire Harness Group, Hopper

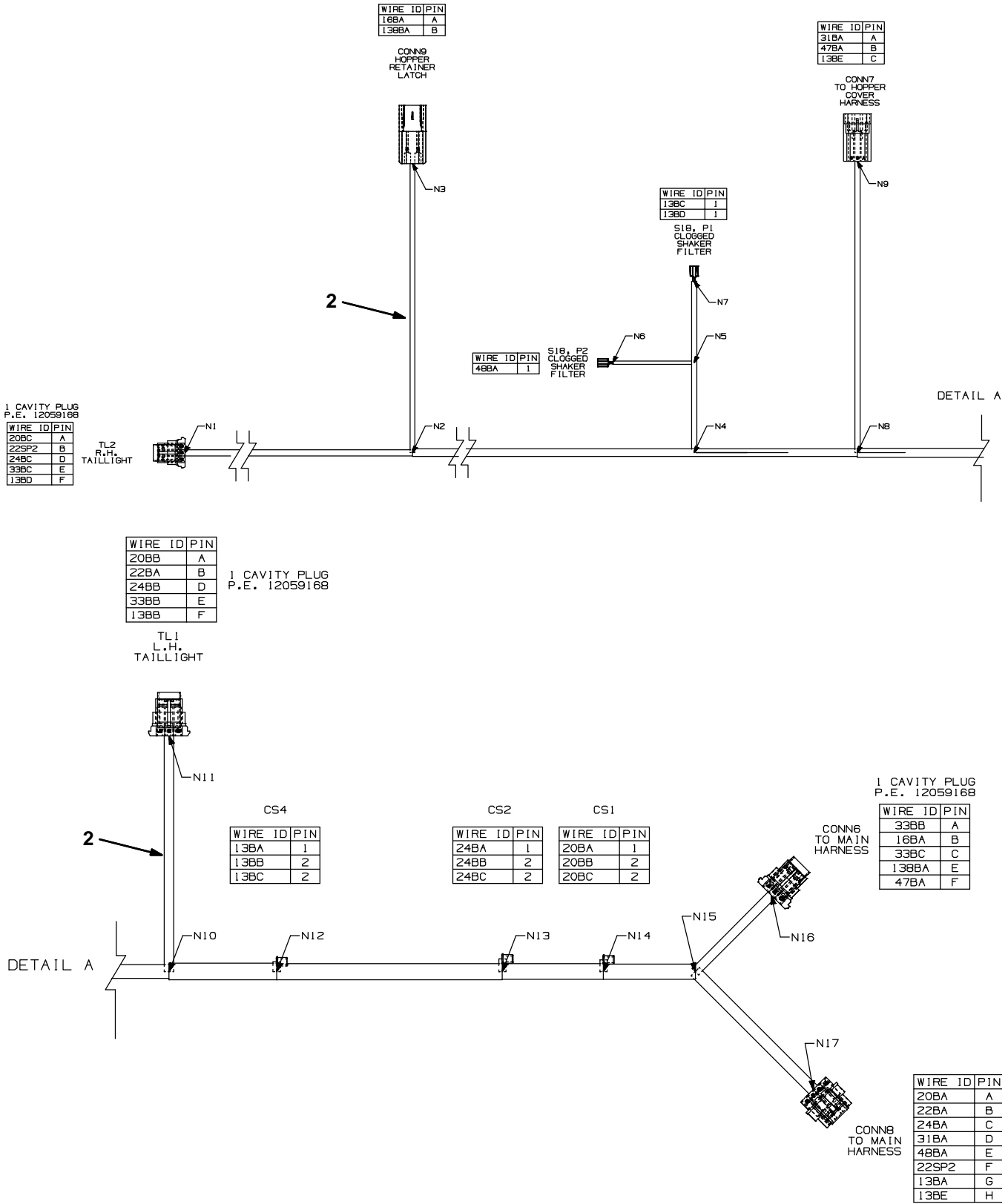
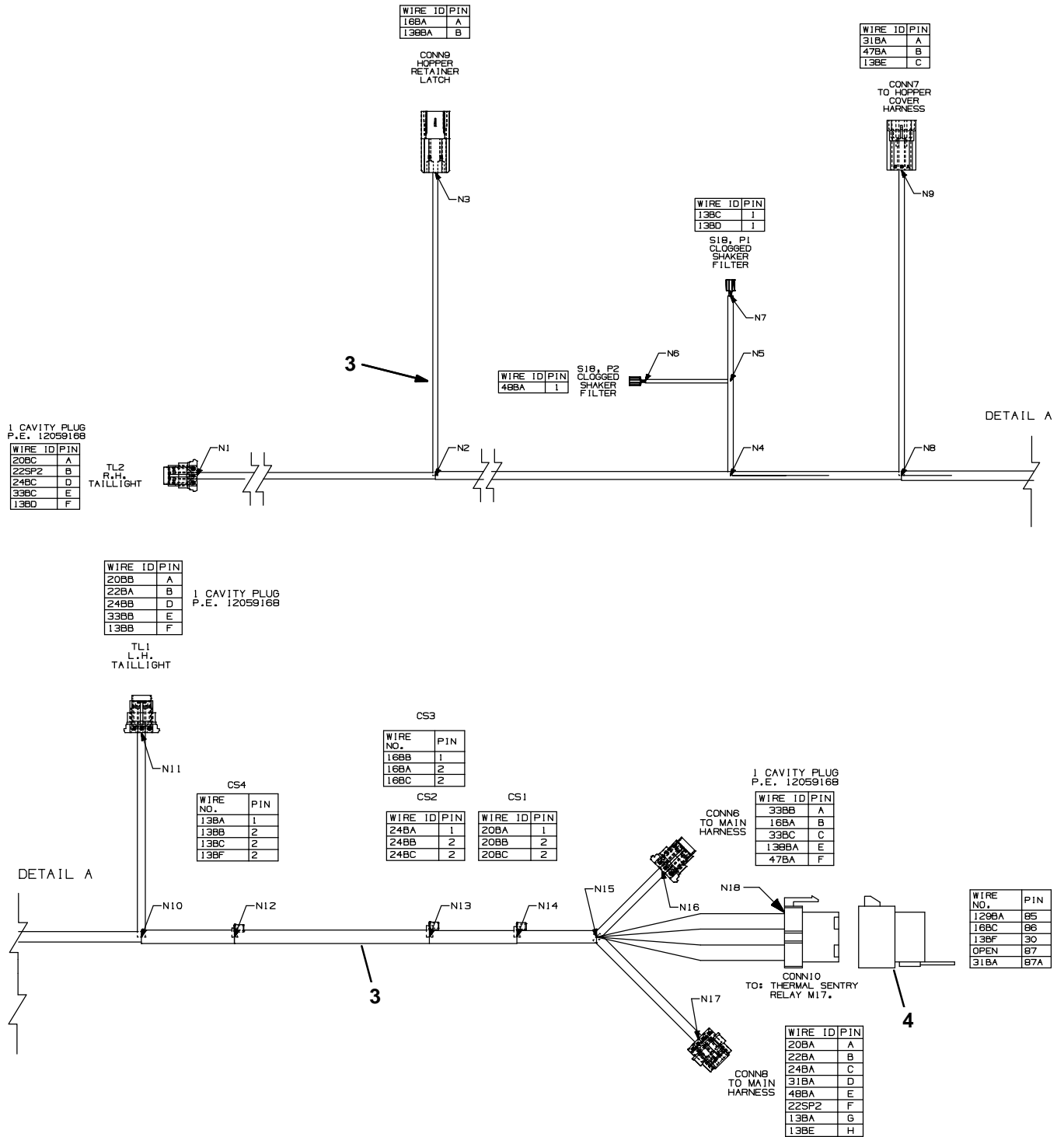


Fig. 98 – Electrical Wire Harness Group, Hopper



356253 – M20, M30

Ref.	Part No.	Serial Number	Description	Qty.
1	1019630	(000000–002273 )	Harness, Hppr [M20]	1
2	1033624	(002274–003478 )	Harness, Hppr [M20/M30]	1
3	1064371	(003479– )	Harness, Hppr [M20/M30]	1
4	56186	(003479– )	Relay, 12vdc, 040a, Spdt No	1

## Fig. 99 – Electrical Wire Harness Group, Hopper Cover

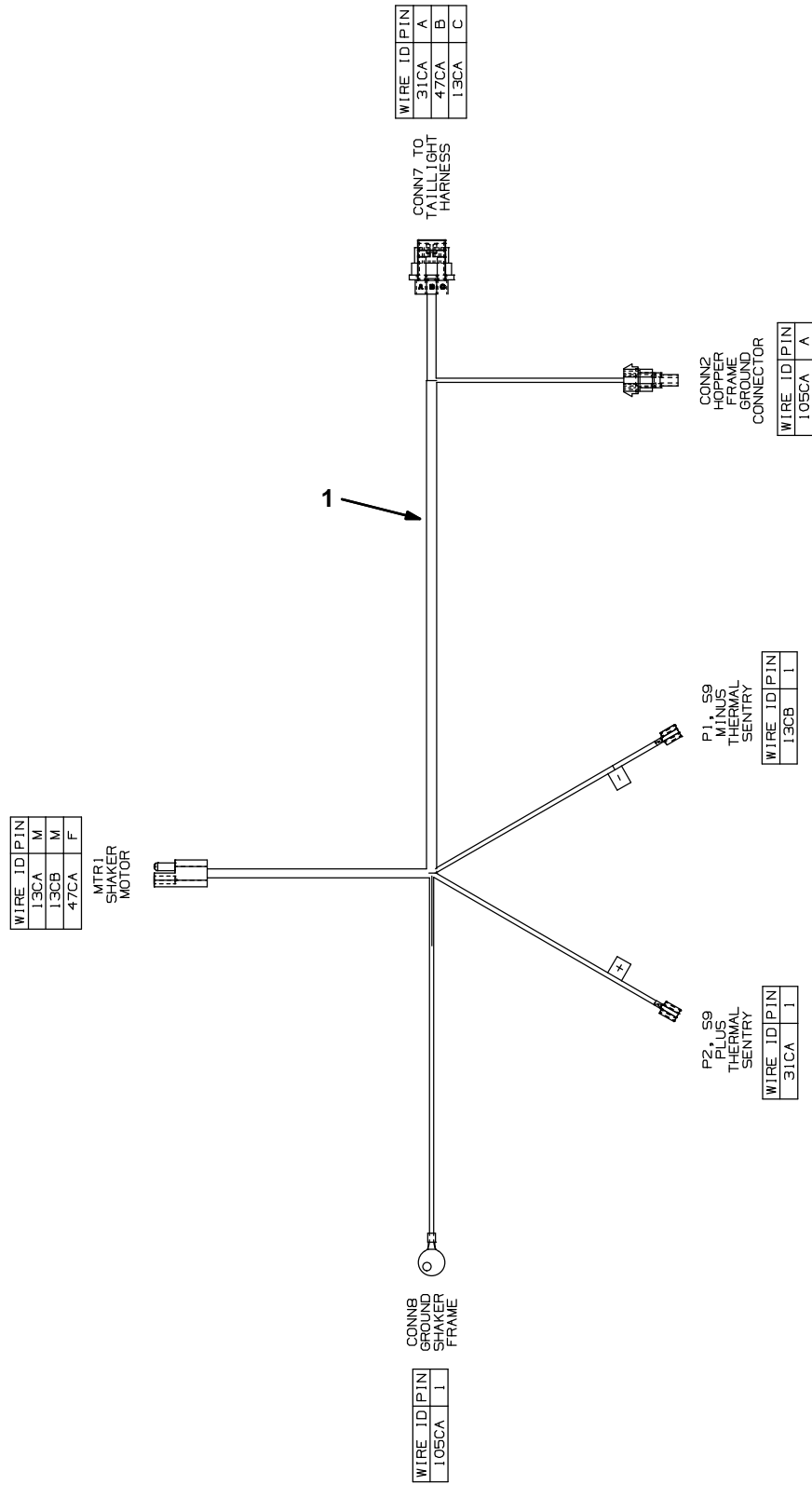
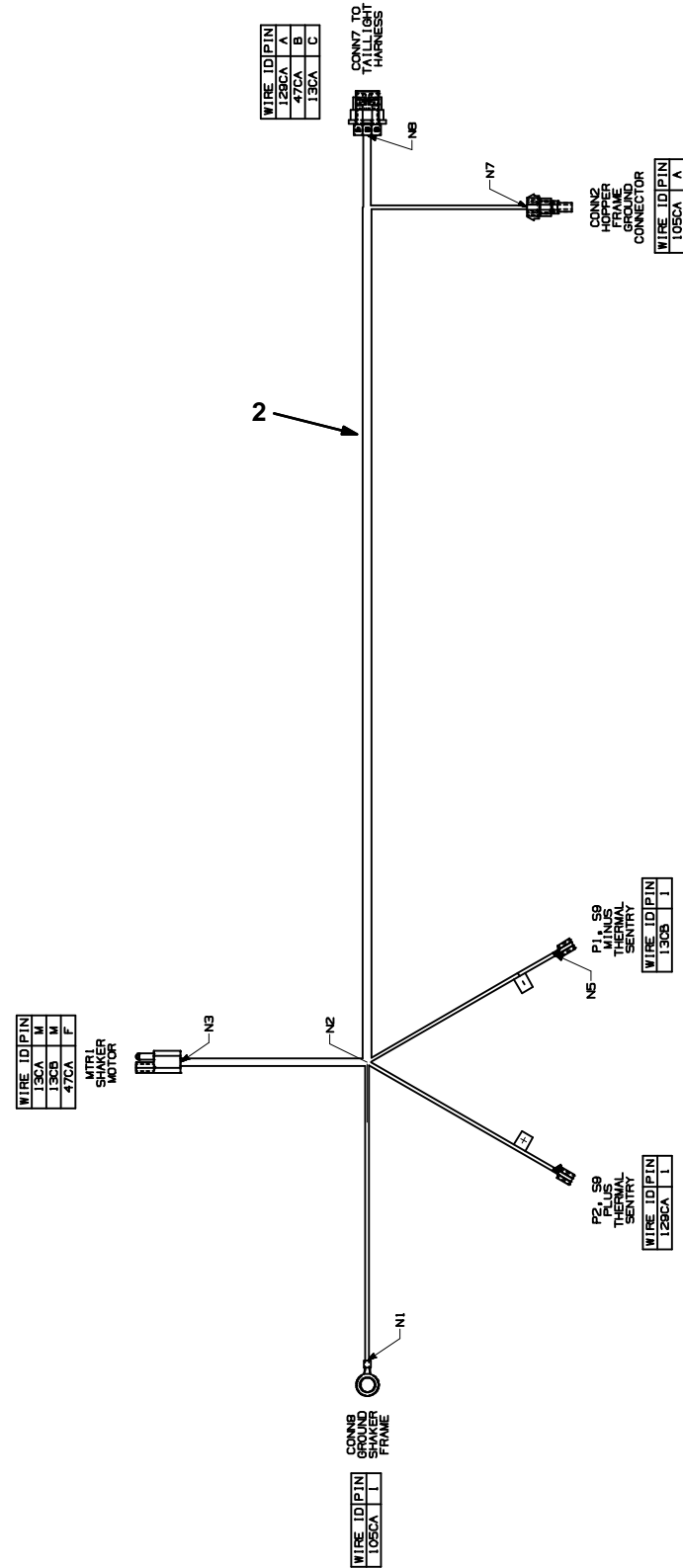


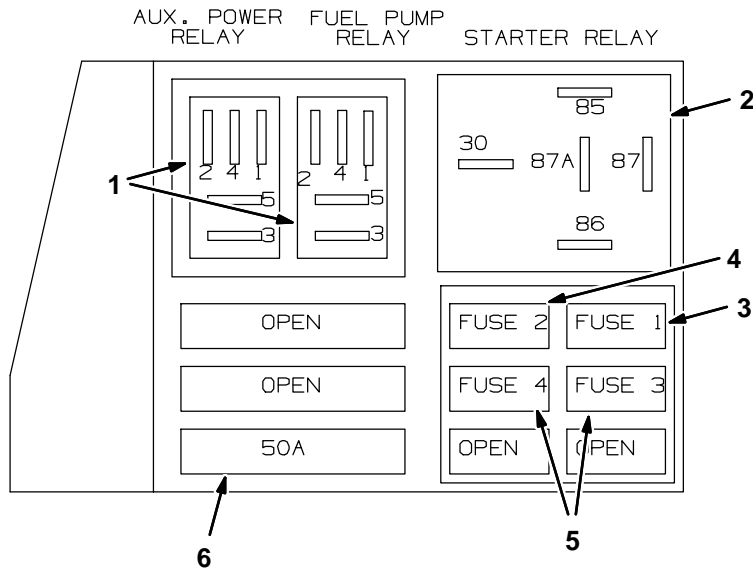
Fig. 99 – Electrical Wire Harness Group, Hopper Cover



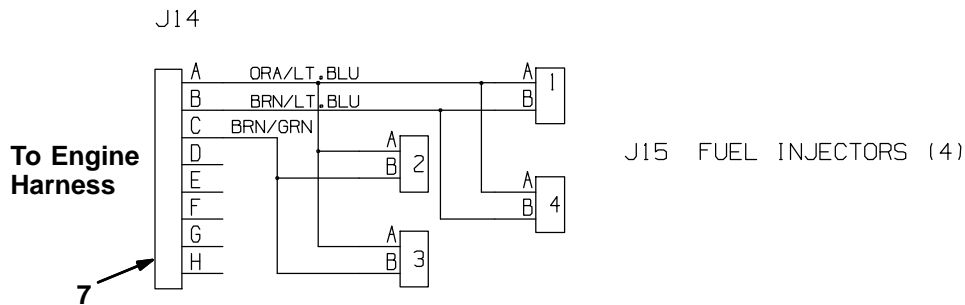
354389-354459

Ref.	Part No.	Serial Number	Description	Qty.
1	1019950	(000000-003478 )	Harness, Hppr, Cover [M20]	1
2	1064370	(003479- )	Harness, Hppr, Cover [M20]	1

**Fig. 100 – Electrical Wire Harness Group, Gasoline/LPG Engine**



GAS INJECTOR AUX. HARNESS: E-CONT.



L.P. DUAL SOL. AUX. HARNESS: E-CONT.

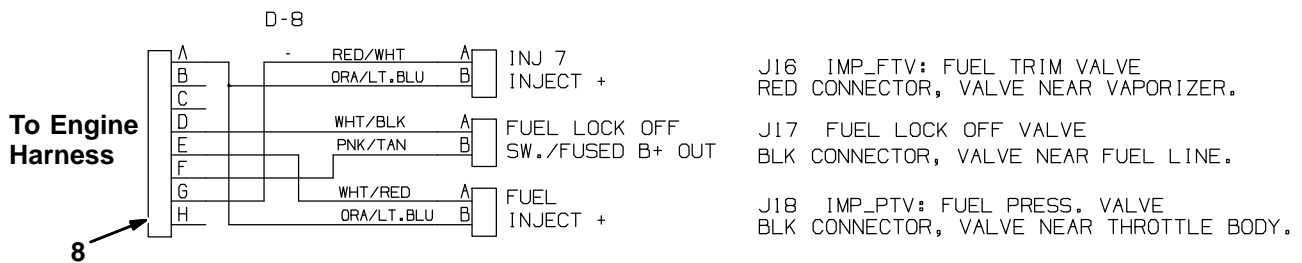


Fig. 100 – Electrical Wire Harness Group, Gasoline/LPG Engine

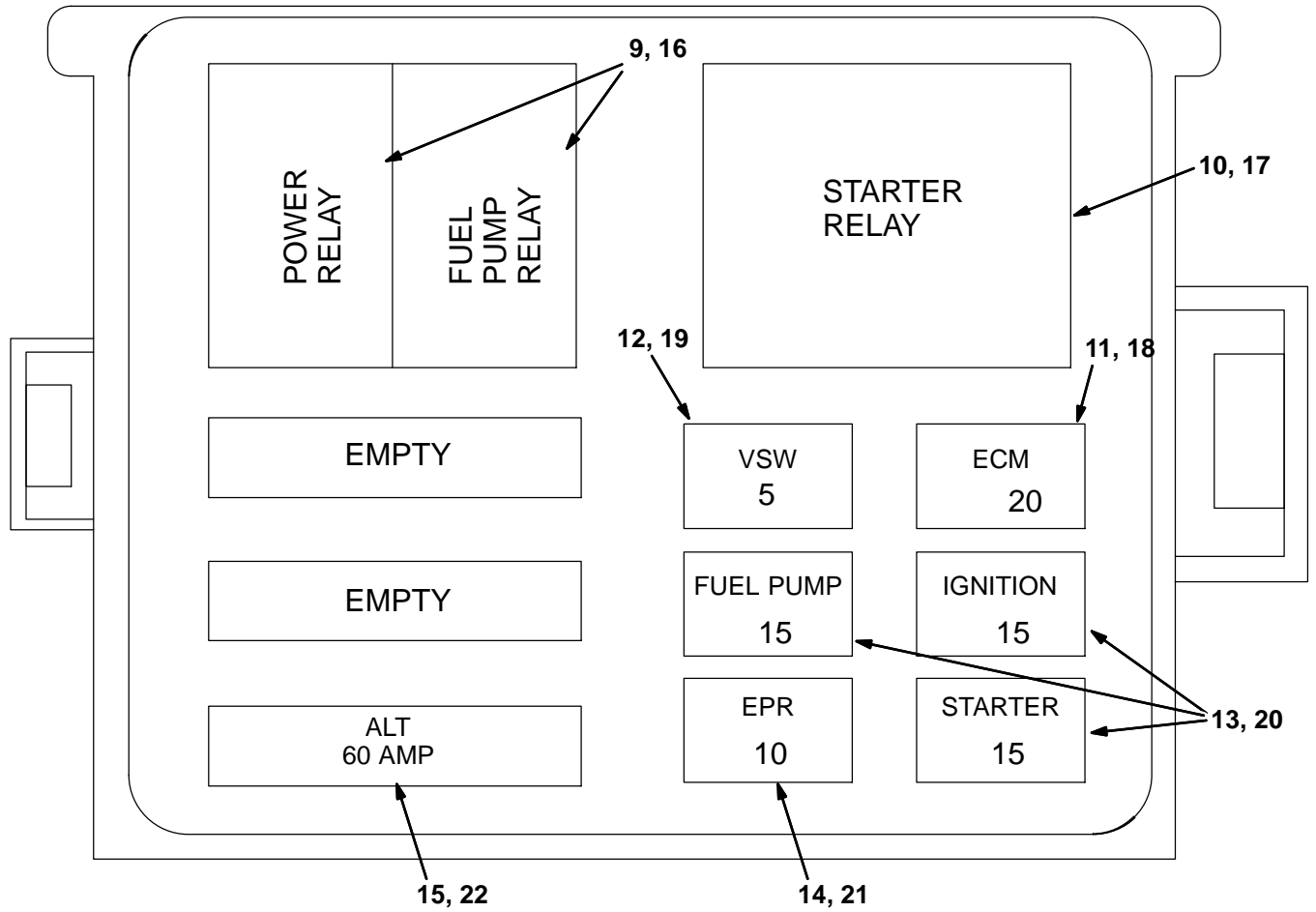




Fig. 100 –Electrical Wire Harness Group, Gasoline/LPG Engine

Ref.	Part No.	Serial Number	Description	Qty.
▽	1011018	(000000-001999 )	Harness, Eng [1.6l, Gm, E-cntrl]	1
▲	1 394916	(000000-001999 )	Relay, 12vdc, 20a, Spdt	2
▲	2 57804	(000000-001999 )	Relay, 12vdc, 40a, Spdt	1
▲	3 372235	(000000-001999 )	Fuse, 5 Amp, [Min-5]	1
▲	4 372237	(000000-001999 )	Fuse, 20 Amp, [Min-20]	1
▲	5 372236	(000000-001999 )	Fuse, 15 Amp, [Min-15]	2
▲	6 394921	(000000-001999 )	Fuse, 50amp	1
	7 1011019	(000000-001999 )	Harness, Injector, Gas [1.6l,Gm,E-cntrl]	1
	8 1011020	(000000-001999 )	Harness, Injector, Lpg [1.6l,Gm,E-cntrl]	1
▽	384997	(002000-003122 )	Harness, Wire, Eng, Gas [Gm 1.6L]	1
▲	9 394916	(002000-003122 )	Relay, 12vdc, 20a, Spdt	2
▲	10 57804	(002000-003122 )	Relay, 12vdc, 40a, Spdt	1
▲	11 372237	(002000-003122 )	Fuse, 20 Amp, [Min-20]	1
▲	12 372235	(002000-003122 )	Fuse, 5 Amp, [Min-5]	1
▲	13 372236	(002000-003122 )	Fuse, 15 Amp, [Min-15]	2
▲	14 384999	(002000-003122 )	Fuse, 10 Amp	1
▲	15 384998	(002000-003122 )	Fuse, 60 Amp	1
▽	1063457	(003123-005999 )	Harness, Wire, Eng, Gas [Gm 1.6L 10]	1
▲	9 394916	(003123-005999 )	Relay, 12vdc, 20a, Spdt	2
▲	10 57804	(003123-005999 )	Relay, 12vdc, 40a, Spdt	1
▲	11 372237	(003123-005999 )	Fuse, 20 Amp, [Min-20]	1
▲	12 372235	(003123-005999 )	Fuse, 5 Amp, [Min-5]	1
▲	13 372236	(003123-005999 )	Fuse, 15 Amp, [Min-15]	2
▲	14 384999	(003123-005999 )	Fuse, 10 Amp	1
▲	15 384998	(003123-005999 )	Fuse, 60 Amp	1
▽	384990	(002000-003122 )	Harness, Wire, Eng, Lpg [Gm 1.6l]	1
▲	16 394916	(002000-003122 )	Relay, 12vdc, 20a, Spdt	2
▲	17 57804	(002000-003122 )	Relay, 12vdc, 40a, Spdt	1
▲	18 372237	(002000-003122 )	Fuse, 20 Amp, [Min-20]	1
▲	19 372235	(002000-003122 )	Fuse, 5 Amp, [Min-5]	1
▲	20 372236	(002000-003122 )	Fuse, 15 Amp, [Min-15]	2
▲	21 384999	(002000-003122 )	Fuse, 10 Amp	1
▲	22 384998	(002000-003122 )	Fuse, 60 Amp	1
▽	1063456	(003123-005999 )	Harness, Wire, Eng, Lpg [Gm 1.6L 10]	1
▲	16 394916	(003123-005999 )	Relay, 12vdc, 20a, Spdt	2
▲	17 57804	(003123-005999 )	Relay, 12vdc, 40a, Spdt	1
▲	18 372237	(003123-005999 )	Fuse, 20 Amp, [Min-20]	1
▲	19 372235	(003123-005999 )	Fuse, 5 Amp, [Min-5]	1
▲	20 372236	(003123-005999 )	Fuse, 15 Amp, [Min-15]	2
▲	21 384999	(003123-005999 )	Fuse, 10 Amp	1
▲	22 384998	(003123-005999 )	Fuse, 60 Amp	1
	1071653	(006000- )	Harness, Wire, Eng, Gas [ Mit, 2.0L]	1
	1071654	(006000- )	Harness, Wire, Eng, Lpg[ Mit, 2.0L]	1



Fig. 102 – Label Group

<p><b>WARNING</b></p> <p>Flammable materials can cause explosion or fire. Do not use flammable tank.</p> <p><b>Not Used</b></p> <p>Les matériaux inflammables peuvent provoquer des explosions ou incendies. Ne les ramassez pas.</p> <p><b>ADVERTENCIA</b></p> <p>Los materiales inflamables pueden provocar explosiones o incendios. No utilice materiales inflamables en el depósito(s).</p>	<p><b>WARNING</b> <b>AVERTISSEMENT</b> <b>ADVERTENCIA</b></p> <p>Raised hopper may fall. Engage hopper support pin.</p> <p>En position relevée, le bac à déchets peut retomber. Engagez la broche du support de bac à déchets.</p> <p>La caja colectoras elevada puede caer. Coloque el pasador de apoyo de la caja colectoras.</p>		<p><b>WARNING</b> <b>AVERTISSEMENT</b> <b>ADVERTENCIA</b></p> <p>Machine emits toxic gases. Serious injury or death can result. Provide adequate ventilation.</p> <p>La machine produit des gaz toxiques. Ces gaz peuvent provoquer des blessures ou la mort. Veillez à ce que l'endroit soit bien aéré.</p> <p>La máquina emite gases tóxicos. Pueden provocar lesiones graves o fatales. Asegúrese de que existe suficiente ventilación.</p>
	<p><b>WARNING</b></p> <p>Flammable materials or reactive metals can cause explosion or fire. Do not pick up.</p> <p><b>AVERTISSEMENT</b></p> <p>Les matériaux inflammables ou les métaux réactifs peuvent causer une explosion ou un incendie. Ne les ramassez pas.</p> <p><b>ADVERTENCIA</b></p> <p>Los materiales inflamables o metales reactivos pueden causar explosiones o incendios. No los recoja.</p>	<p><b>WARNING</b></p> <p>Moving belt and fan. Keep away.</p> <p><b>AVERTISSEMENT</b></p> <p>La courroie et le ventilateur sont en mouvement. Ne vous approchez pas.</p> <p><b>ADVERTENCIA</b></p> <p>Correa y ventilador en movimiento. Manténgase alejado.</p>	
<p><b>WARNING</b> <b>AVERTISSEMENT</b> <b>ADVERTENCIA</b></p> <p>Machine can emit noise. Hearing protection is required.</p> <p><b>Not Used</b></p> <p>La machine peut émettre du bruit. L'usage d'un équipement de protection auditive est obligatoire.</p> <p>La máquina puede emitir ruido. Se requiere el uso de protección para los oídos.</p>	<p><b>FOR SAFETY</b></p> <p>Read manual before operating machine.</p> <p><b>POUR VOTRE SECURITE</b></p> <p>Lisez le manuel avant d'utiliser la machine.</p> <p><b>PARA SEGURIDAD</b></p> <p>Lea el manual antes de operar la máquina.</p>		<p><b>WARNING</b></p> <p>Lift arm pinch point. Stay clear of hopper lift arms.</p> <p><b>AVERTISSEMENT</b></p> <p>Attention au point d'articulation du bras d'élevage. Ne vous approchez pas des bras d'élevage de la trémie.</p> <p><b>ADVERTENCIA</b></p> <p>Punto de pivoteamiento del brazo elevador. No se acerque a los brazos elevadores de la caja colectoras.</p>

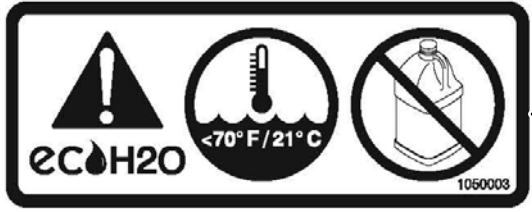
1  
2



3



4



5

	
	<p><b>WARNING</b></p> <p>Burn hazard. Hot surface. Do NOT touch.</p> <p><b>AVERTISSEMENT</b></p> <p>Risque de brûlures. Surface chaude. Ne pas toucher.</p> <p><b>ADVERTENCIA</b></p> <p>Peligro de quemaduras. Superficie caliente. NO tocar.</p>
	<p><b>注意</b></p> <p>火傷のおそれあり。表面が熱くなっています。さわらないでください。</p>

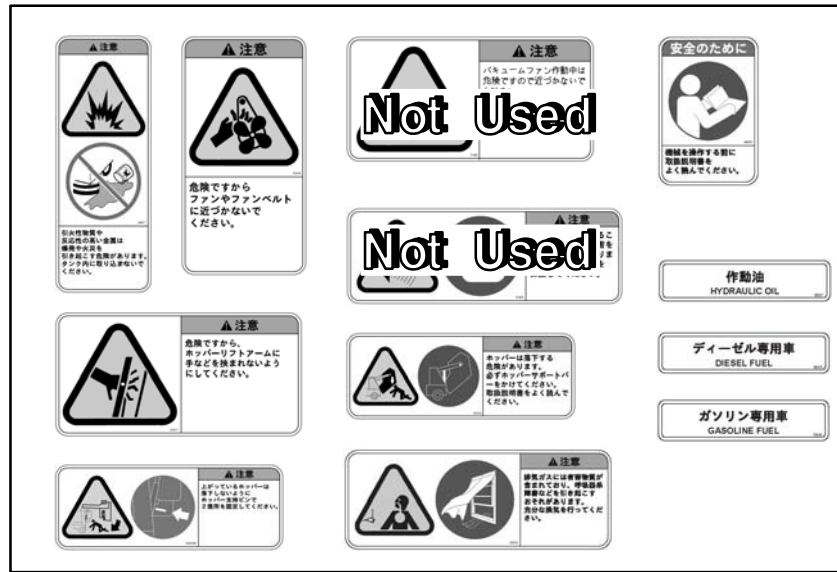


11

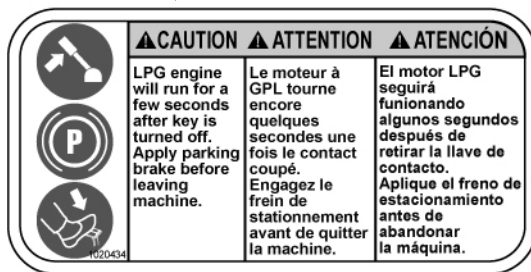


12

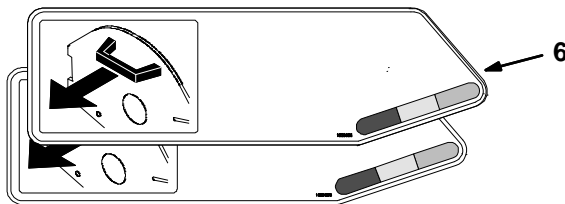
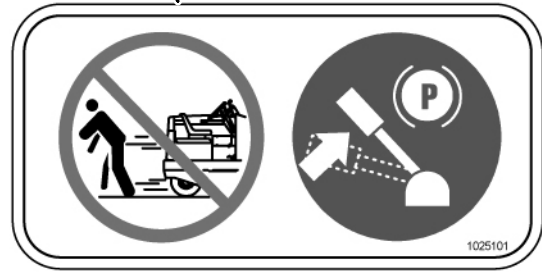
Fig. 102 – Label Group



8



9



10



M20 – G/LP

Ref.	Part No.	Serial Number	Description	Qty.
1	77221	(000000– )	Label Set, Info/Hzrd, Swpr / Scrbr	1
2	1017141	(000000– )	Label Set, Hi Temp	1
3	1065343	(000000– )	Label, Logo, 05.75L 2Color [ES]	3
4	1065342	(000000– )	Label, Logo, 07.95L 2Color [FaST]	3
5	1050003	(000000– )	Label [User, Attention, ec–H2O]	2
6	1031017	(000000– )	Label Set, Brush Indicator & Removal	1
7	1032450	(000000– )	Label Set, Info/Hzrd, Swpr / Scrbr, Tj (Japan Only)	1
8	1020434	(000000– )	Label, Caution [Apply Parking Brake]	1
9	1025101	(000000– )	Label, Caution [Apply Parking Brake] (Japan Only)	1
10	1064662	(000000– )	Label, Model, 2Color [M20]	2
11	1062813	(000000– )	Label, Logo, 12.3L 4Color [ec–H2O]	1
12	1064440	(000000– )	Label, Logo, 16.9L 4Color [ec–H2O]	1



# SECTION 3

<b>Contents</b>	<b>Page</b>
Fig. 1 – ES Pump Group .....	3-2
Fig. 2 – ES Tanks Group .....	3-4
Fig. 3 – Side Brush Motor Group (000000–003076) .....	3-6
Fig. 4 – Side Brush Motor Group (003077– ) .....	3-8
Fig. 5 – Side Brush Lift Group .....	3-10
Fig. 6 – Side Brush Solution Control Group ...	3-12
Fig. 7 – Side Brush Hydraulic Valve Group ...	3-14
Fig. 8 – Side Brush Hydraulic Hose Group ...	3-16
Fig. 9 – FaST Solution Pump Group (000000–002532) .....	3-18
Fig. 10 – FaST Air Pump and Detergent Group (000000–002532) .....	3-20
Fig. 11 – FaST Foam Filter Group (000000–002532) .....	3-22
Fig. 12 – FaST Foam Filter Group, Side Brush (000000–002532) .....	3-24
Fig. 13 – FaST Wire Harness Group (000000–002532) .....	3-26
Fig. 14 – FaST Pumps and Detergent Group (002533– ) .....	3-28
Fig. 15 – FaST Solution Supply Group (002533– ) .....	3-30
Fig. 16 – FaST Solution Supply Group with Side Brush (002533– ) .....	3-32
Fig. 17 – FaST Wire Harness Group (002533– ) .....	3-34
Fig. 18 – ec–H2O Solution Pump Group .....	3-36
Fig. 19 – ec–H2O Solution Pump Supply Group .	3-38
Fig. 20 – ec–H2O Solution Supply Group .....	3-40
Fig. 21 – ec–H2O Solution Supply Group with Side Brush .....	3-42
Fig. 22 – ec–H2O Wire Harnesses Group .....	3-44
Fig. 23 – Backup Alarm Kit .....	3-47
Fig. 24 – Light Kit, Flashing .....	3-48
Fig. 25 – Light Kit, Strobe .....	3-50
Fig. 26 – Light Kit, Flashing Overhead Guard ..	3-52
Fig. 27 – Light Kit, Strobe Overhead Guard ...	3-53
Fig. 28 – Overhead Guard Kit .....	3-54
Fig. 29 – Telemetry Group .....	3-56
Fig. 30 – Electrical Wire Harness Group, Gasoline/LPG Engine Adapter Harness with Telemetry .....	3-58
Fig. 31 – Vacuum Wand Kit (000000–002406) ..	3-59
Fig. 32 – Vacuum Wand Kit (002407– ) ...	3-60
Fig. 33 – Spray Nozzle Kit .....	3-62
Fig. 34 – Transport Group .....	3-64
Fig. 35 – Squeegee Guard Kit .....	3-66
Fig. 36 – Fire Extinguisher Kit .....	3-68
Fig. 37 – Documentation Group .....	3-69

Fig. 1 – ES Pump Group

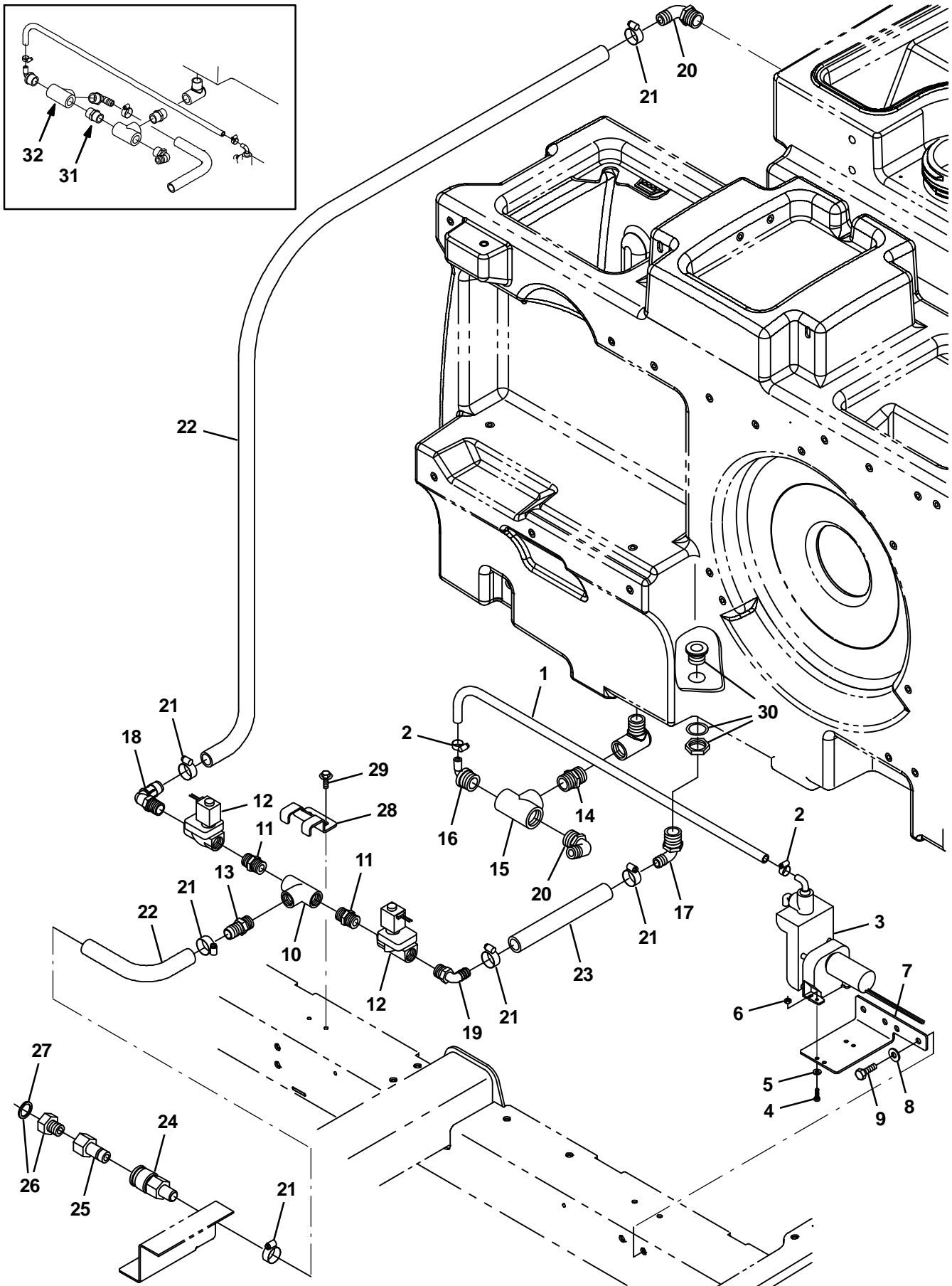


Fig. 1 – ES Pump Group

Ref.	Part No.	Serial Number	Description	Qty.	
1	41295	(000000–	) Hose, Pvc, Clr, 0.38id 0.56od 48.00l	1	
2	43844	(000000–	) Clamp, Hose, Wormdrive, 0.25–0.62d, .31w	2	
3	73260	(000000–	) Pump, Detgt, 14vdc, 150ml/Min 20psi (See Breakdowns)	1	
4	24265	(000000–	) Screw, Pan, M4 X 0.7 X 16, Ss	2	
5	01683	(000000–	) Washer, Flat, #10, Ss	2	
6	33932	(000000–	) Nut, Hex, Lock, M4 X 0.7, NI, Ss	2	
7	1021325	(000000–	) Bracket, Mtg, Valve	1	
8	01685	(000000–	) Washer, Flat, 0.31, Ss	2	
9	09740	(000000–	) Screw, Hex, M8 X 1.25 X 20, Ss	2	
10	79497	(000000–	) Fitting, Plstc, Tee, Pf08/Pf08/Pf08	1	
11	86508	(000000–	) Fitting, Plstc, Str, Pm08/Pm08	2	
12	73433	(000000–	) Valve, Water, Solenoid, 12vdc 0.08pf	2	
13	78398	(000000–	) Fitting, Plstc, Str, Bm12/Pm08, Nyl	1	
14	24544	(000000–	) Fitting, Plstc, Str, Pm12/Pm12 1.60l	1	
15	42133A	(000000–	) Fitting, Plstc, Tee, Pf12/Pf12/Pf12	1	
16	79484	(000000–	) Fitting, Plstc, E90, Bm06/Pm12, Nyl	1	
17	73468	(000000–	) Fitting, Plstc, E90, Bm10/Pm12	1	
18	63244–2	(000000–	) Fitting, Plstc, E90, Bm12/Pm08	1	
19	630371	(000000–	) Fitting, Plstc, E90, Bm10/Pm08	1	
20	14877	(000000–	) Fitting, Plstc, E90, Bm12/Pm12	2	
21	63810	(000000–	) Clamp, Hose, Wormdrive, 0.56–1.06d, .56w	6	
22	1015045	(000000–	) Hose, Afmkt, Pvc, Brd 0.75id 08ft	1	
23	369811	(000000–	) Hose, Pvc, Brd, 0.62id 0.88od 09.00l	1	
24	24105	(000000–	) Fitting, Brs, Qdc, Bm12/Qf08	1	
25	33295	(000000–	) Fitting, Brs, Qdc, Pf08 [Parker Bh3f]	1	
▽	26	375322	(000000–	) Fitting Kit, Hose, Garden	1
▲	27	01316	(000000–	) Washer, Flat, 0.66b 1.00d .12, Rbr	1
	28	1016837	(000000–	) Bracket, Mtg, Valve	1
	29	361339	(000000–	) Screw, Hex, M6 X 1.0 X 16, Fmg	2
	30	377349	( xxxxxx–	) Fitting, Plstc, Pf12/Pf12, Bh	1
	31	24544	(000000–xxxxxx	) Fitting, Plstc, Str, Pm12/Pm12 1.60l	1
	32	42133A	(000000–xxxxxx	) Fitting, Plstc, Tee, Pf12/Pf12/Pf12	1

Fig. 2 - ES Tanks Group

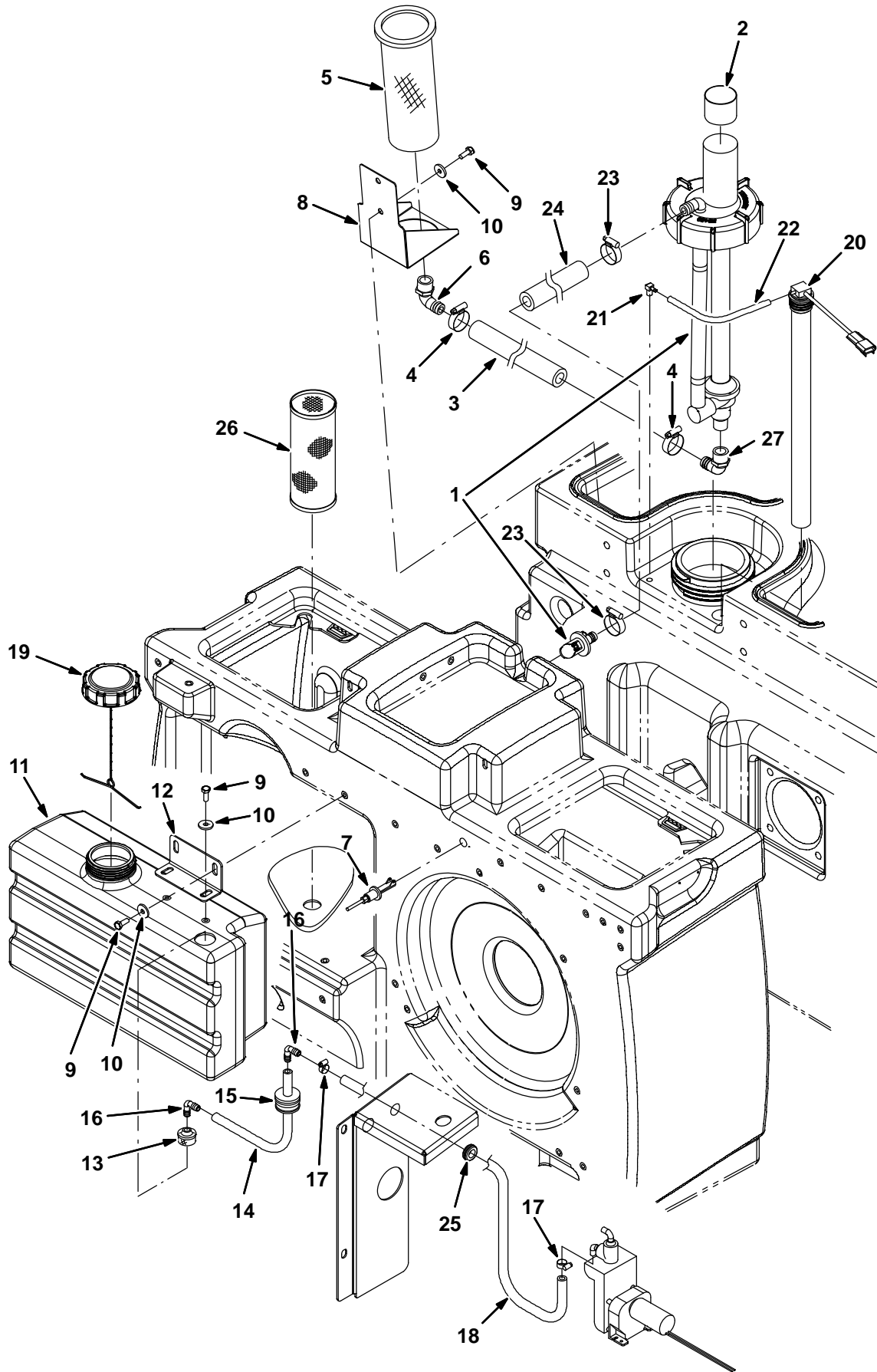


Fig. 2 – ES Tanks Group

Ref.	Part No.	Serial Number	Description	Qty.
1	1021210	(000000–	) Pump Assy, Column, Es (See Breakdowns)	1
2	1028697	(000000–	) Sleeve, Rbr, 3.50b 3.58d 1.8l	1
3	1015033	(000000–	) Hose, Afmkt, Pvc, Brd 0.62id 01ft	1
4	63810	(000000–	) Clamp, Hose, Wormdrive, 0.56–1.06d, .56w	2
5	386652	(000000–	) Strainer, Soltn, 20 Mesh, Cyl 3.5d 9.5l	1
6	24543	(000000–	) Fitting, Plstc, E90, Bm12/Pf12	1
7	385685	(000000–	) Sensor, Level, Liq, 14vdc 01a .62–11	1
8	1019636	(000000–	) Bracket, Mtg, Strainer	1
9	09740	(000000–	) Screw, Hex, M8 X 1.25 X 20, Ss	6
10	1017218	(000000–	) Washer, Flat, 0.32b 1.00d .12, Ss	6
11	1022229	(000000–	) Tank, Detgt, Trimmed	1
12	1025159	(000000–	) Bracket, Mtg, Detgt And Spray Wand	1
13	20952	(000000–	) Screen, Pump	1
14	1014974	(000000–	) Hose, Afmkt, Pvc, Brd 0.38id 02ft	1
15	20944	(000000–	) Grommet, Pye, 0.37id, F/1.5h, .13 Matl	1
16	20951	(000000–	) Fitting, Plstc, E90, Bm06/Bm06	2
17	43844	(000000–	) Clamp, Hose, Wormdrive, 0.25–0.62d, .31w	2
18	41295	(000000–	) Hose, Pvc, Clr, 0.38id 0.56od 48.00l	1
19	1011885	(000000–	) Cap, Tank	1
20	1029497	(000000–	) Switch Assy, Press, 3.0, 19.5l Tube	1
21	32183	(000000–	) Fitting, Brs, E90, Pm02/Bm03	1
22	1031572	(000000–	) Hose, Afmkt, Vacuum, 0.16id, 01ft	1
23	63810	(000000–	) Clamp, Hose, Wormdrive, 0.56–1.06d, .56w	2
24	1015033	(000000–	) Hose, Afmkt, Pvc, Brd 0.62id 01ft	1
25	10632–2	(000000–	) Grommet, Rbr, 0.62id, F/0.9h, .12 Matl	1
26	1039019	(000000–	) Filter, Soltn, 020mesh, Pm12 3.2d 08.0l	1
27	14877	(000000–	) Fitting, Plstc, E90, Bm12/Pm12	1

Fig. 3 – Side Brush Motor Group (000000–003076)

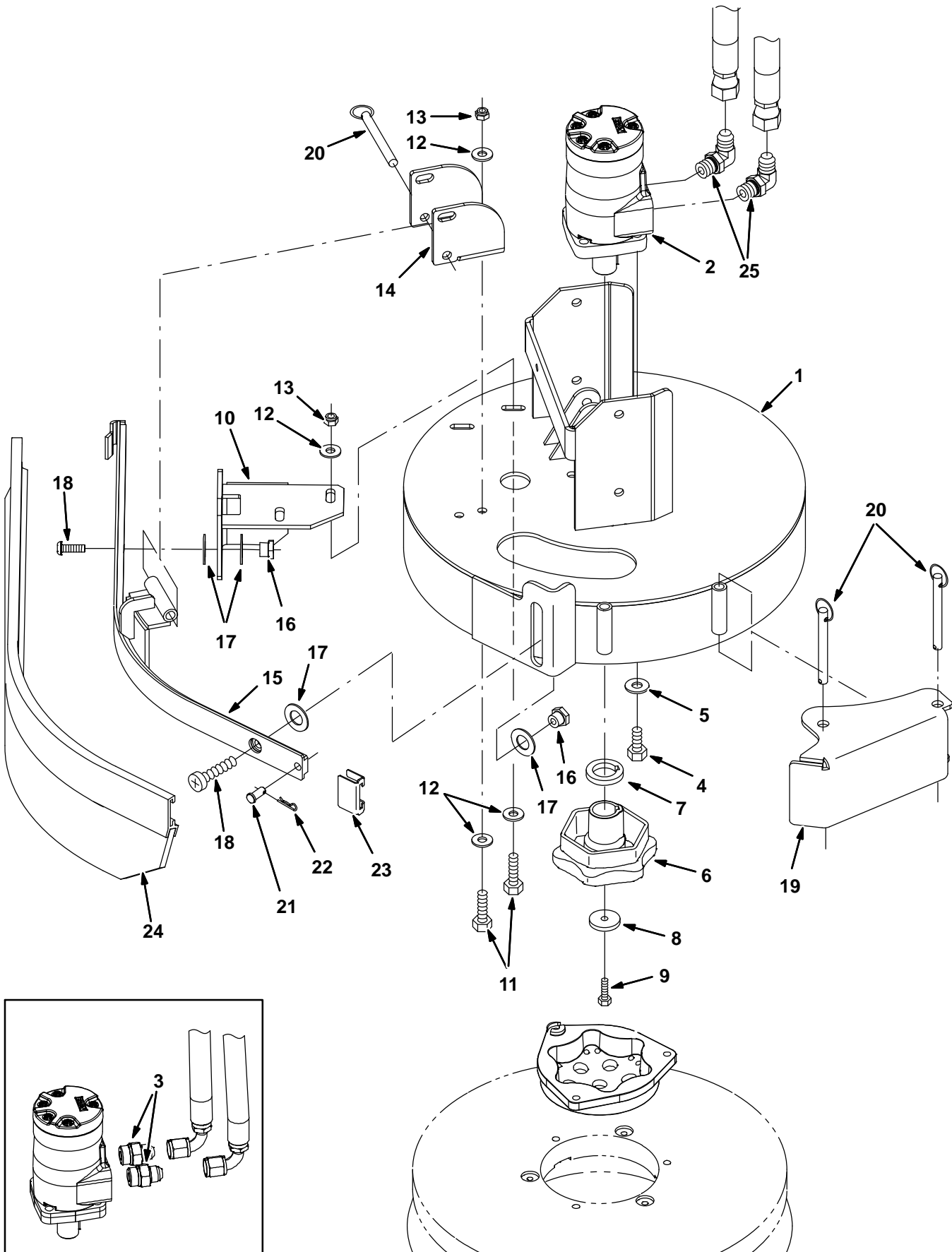


Fig. 3 – Side Brush Motor Group (000000–003076)

Ref.	Part No.	Serial Number	Description	Qty.
1	1021794	(000000–003076 )	Bracket Wldt, Mtg, Side Brush	1
2	1029379	(000000–003076 )	Motor, Hyd, Gear, Int 08.9 Bi–Dir 2500 (See Breakdowns)	1
3	56692	(000000–001337 )	Fitting, Hyd, Str, Jm08/Om10	2
4	01762	(000000–003076 )	Screw, Hex, .38–16 X 0.75, NI	4
5	32492	(000000–003076 )	Washer, Flat, 0.38 Std	4
6	1042968	(000000–003076 )	Hub, Drive, Brush, Disk, 1.00b [6t]	1
7	25611	(000000–003076 )	Spacer, Hub, Keyed	1
8	19191	(000000–003076 )	Spacer	1
9	25046	(000000–003076 )	Screw, Hex, .25–20 X 1.00, 5	1
10	1022135	(000000–003076 )	Bracket, Mtg, Sqge	1
11	09010	(000000–003076 )	Screw, Hex, M8 X 1.25 X 25, Ss	4
12	01685	(000000–003076 )	Washer, Flat, 0.31, Ss	8
13	08713	(000000–003076 )	Nut, Hex, Lock, M8 X 1.25, NI, Ss	4
14	1022188	(000000–003076 )	Bar, Retainer	1
15	1022111	(000000–003076 )	Frame Wldt, Sqge, Side Brush	1
16	1022302	(000000–003076 )	Nut, T, M8 X 1.25 X 14.5od X 9.5l	2
17	64425	(000000–003076 )	Washer, Thrust, 0.61b 1.25d .06, Fgl	4
18	223470	(000000–003076 )	Screw, Btn, M8 X 1.25 X 25, Ss	2
19	1022260	(000000–003076 )	Bumper Wldt, Brush, Side	1
20	369359	(000000–003076 )	Pin, Hitch, .375d X 3.12l, PI	3
21	46800	(000000–003076 )	Pin, Clevis, 0.31d X 0.75l	1
22	08179	(000000–003076 )	Pin, Cotter, .094 X 1.00	1
23	86759	(000000–003076 )	Retainer, Sqge	1
24	1025005	(000000–003076 )	Squeegee Assy, Sba, Linatex	1
24	1027716	(000000–003076 )	Squeegee Assy, Sba, Ure	1
25	56821	(001338–003076 )	Fitting, Hyd, E90, Jm08/Om10	1

Fig. 4 – Side Brush Motor Group (003077- )

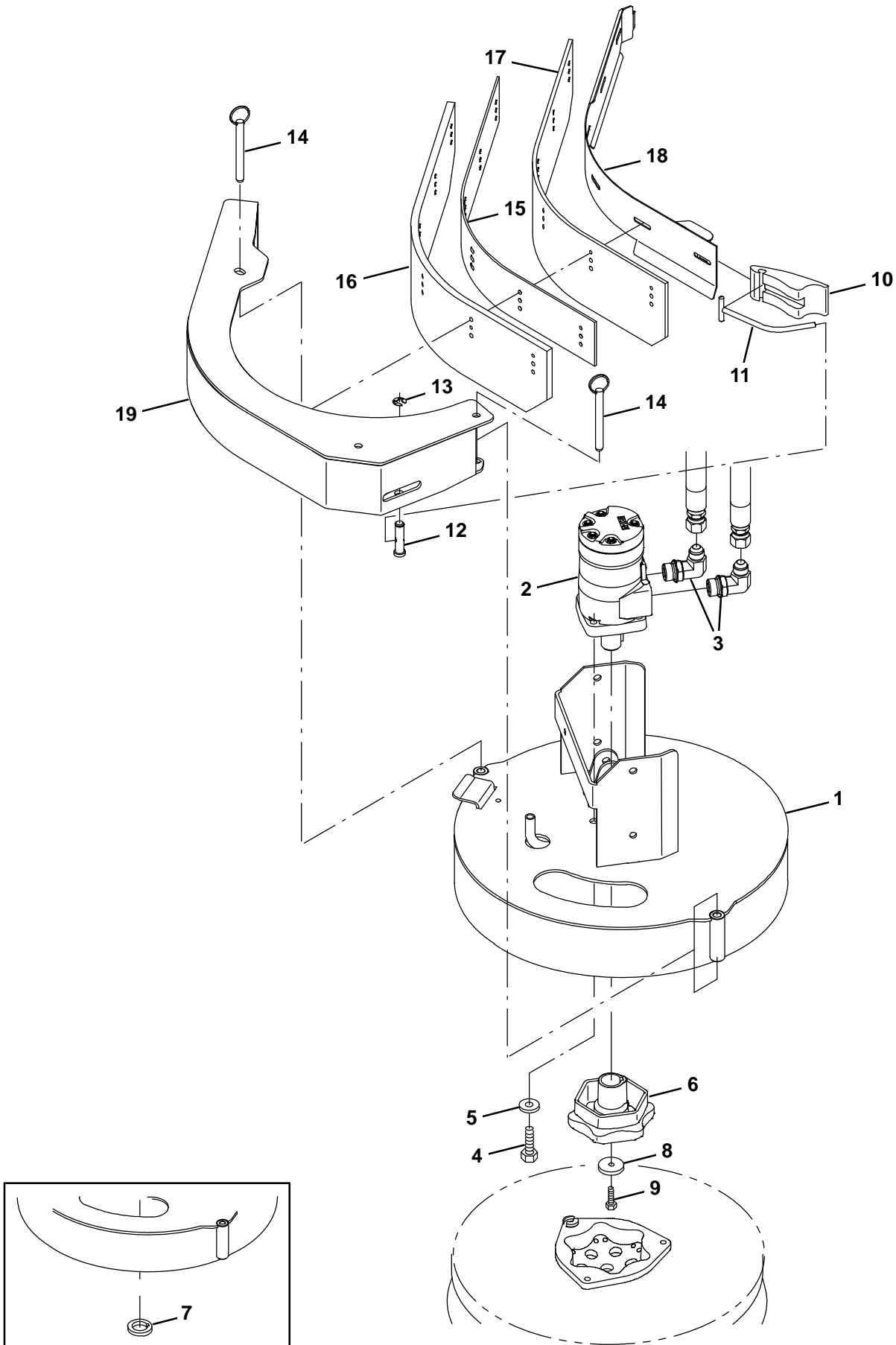
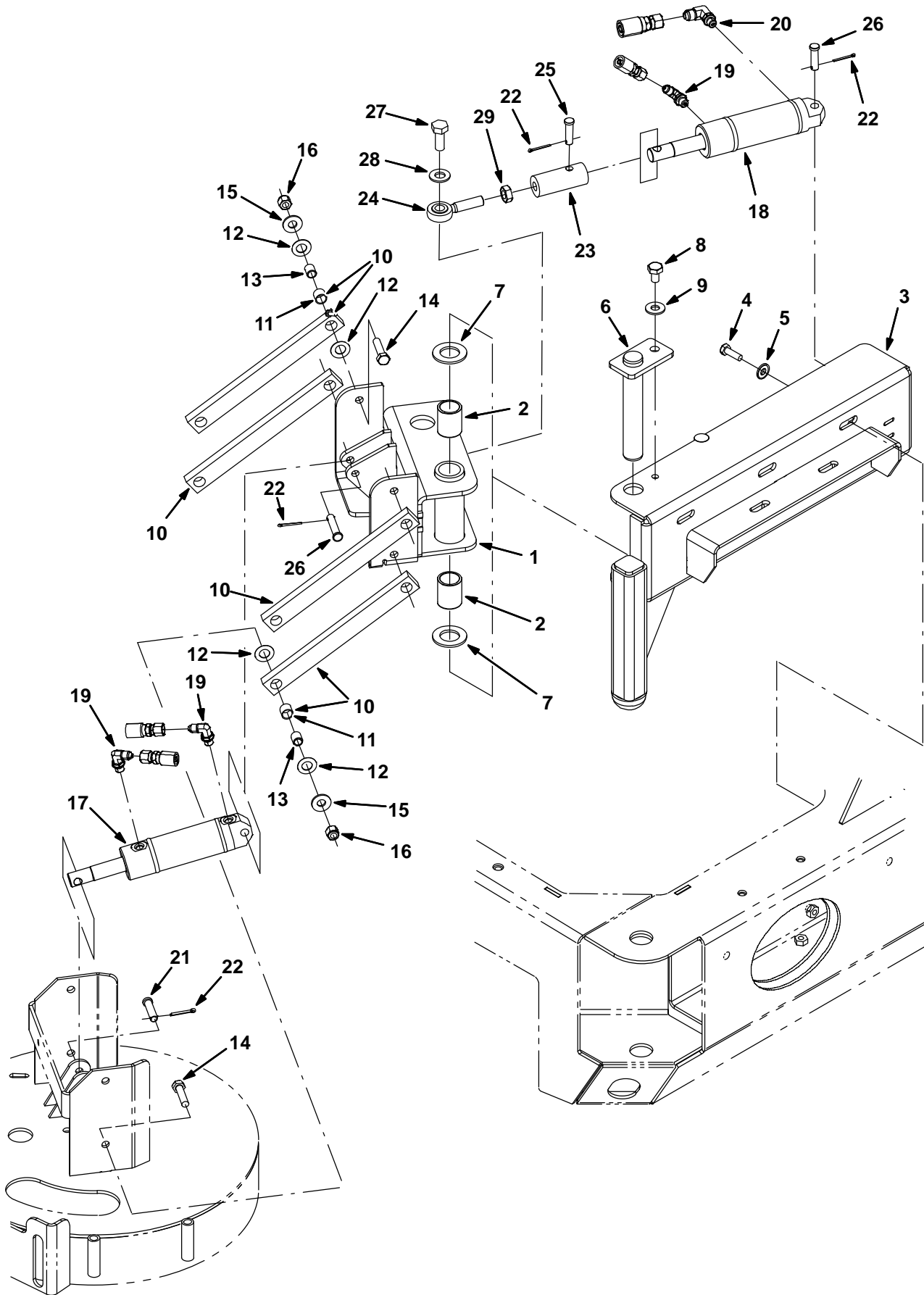


Fig. 4 – Side Brush Motor Group (003077– )

Ref.	Part No.	Serial Number	Description	Qty.
1	1047002	(003077– )	Bracket Wldt, Mtg, Side Brush Fixed	1
2	1029379	(003077–004189 )	Motor, Hyd, Gear, Int 08.9 Bi–Dir 2500 (See Breakdowns)	1
2	1068812	(004190– )	Motor, Hyd, Gear, Int 08.9 Bi–Dir 2500	1
3	56821	(003077– )	Fitting, Hyd, E90, Jm08/Om10	2
4	01762	(003077– )	Screw, Hex, .38–16 X 0.75, NI	4
5	32492	(003077– )	Washer, Flat, 0.38 Std	4
6	1042968	(003077– )	Hub, Drive, Brush, Disk, 1.00b [6t]	1
7	25611	(003077–004189 )	Spacer, Hub, Keyed	1
8	19191	(003077– )	Spacer	1
9	25046	(003077– )	Screw, Hex, .25–20 X 1.00, 5	1
10	21601	(003077– )	Cam, Front	1
11	386298	(003077– )	Pin Wldt, Front	1
12	21603	(003077– )	Pin, Grvd, 0.43d 01.8l [303ss]	1
13	24555	(003077– )	Ring, Retaining, Ext, 0.38d, [E–Ring]	1
14	369359	(003077– )	Pin, Hitch, .375d X 3.12l, PI	2
15	1046995	(003077– )	Spacer, Sqge, Side Brush, Rbr	1
16	1046980	(003077– )	Blade, Sqge, Side Brush, Linatex	1
16	1059091	(003077– )	Blade, Sqge, Side Brush, Urethane	1
17	1047238	(003077– )	Blade, Sqge, Side Brush, Linatex	1
17	1059092	(003077– )	Blade, Sqge, Side Brush, Urethane	1
18	1047060	(003077– )	Plate Wldt, Retainer, Sqge	1
19	1046976	(003077– )	Bumper Wldt, Brush, Side	1

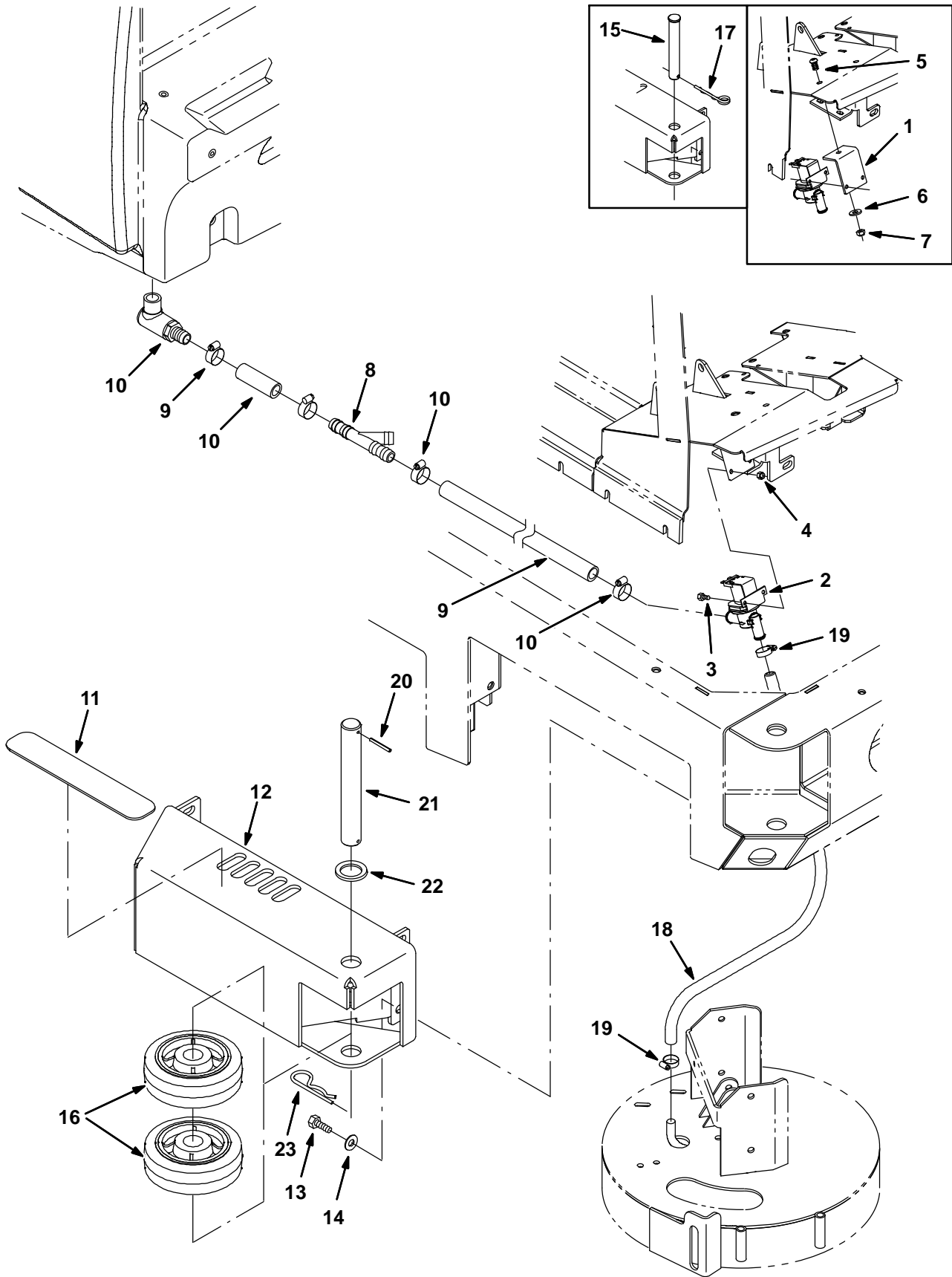
Fig. 5 – Side Brush Lift Group



**Fig. 5 – Side Brush Lift Group**

Ref.	Part No.	Serial Number	Description	Qty.
1	1021439	(000000–	) Pivot Wldt, Brush, Side	1
2	71868	(000000–	) Bushing, Sleeve, 1.00b 1.13d 1.50l, Fgl	2
3	1021473	(000000–	) Channel Wldt, Pivot	1
4	09010	(000000–	) Screw, Hex, M8 X 1.25 X 25, Ss	5
5	41186	(000000–	) Washer, Flat, Belleville, .31	5
6	1021617	(000000–	) Pin Wldt	1
7	71869	(000000–	) Washer, Thrust, 1.00b 1.75d 0.13w, Fbr	2
8	16735	(000000–	) Screw, Hex, M8 X 1.25 X 16, 8.8	1
9	32491	(000000–	) Washer, Flat, 0.31, Std	1
▽	10	63175–1	(000000–) Arm, Link	4
▲	11	63233	(000000–) Bushing, Sleeve, 0.50b 0.59d 0.50l, Bnz	2
	12	59633	(000000–) Bearing, Thrust, 0.53b 1.00d 0.03w	16
	13	1027926	(000000–) Sleeve, P/M, 0.37b 0.50d 0.6l [430ss]	8
	14	36845	(000000–) Screw, Hex, .38–16 X 1.50, Ss	8
	15	01685	(000000–) Washer, Flat, 0.31, Ss	8
	16	59156	(000000–) Nut, Hex, Lock, .38–16, NI, Ss	8
	17	1038137	(000000–) Cylinder, Hyd, 1.5b 07.8l 02.80strk 2500	1
	18	1038115	(000000–) Cylinder, Hyd, 1.5b 07.8l 02.75strk 2500	1
	19	77097	(000000–) Fitting, Hyd, E90, Jm04/Om04	3
	20	77098	(000000–) Fitting, Hyd, E90, Jm06/Om04	1
	21	29558	(000000–) Pin, Clevis, 0.37d X 1.50l	1
	22	08179	(000000–) Pin, Cotter, .094 X 1.00	4
	23	1021564	(000000–) Adapter, Rod–End, Side Brush	1
	24	71874	(000000–) Rod–End, .50–20rh Mal 0.50b	1
	25	29557	(000000–) Pin, Clevis, 0.37d X 1.31l	1
	26	17461	(000000–) Pin, Clevis, 0.37d X 1.75l	2
	27	41346	(000000–) Screw, Hex, M12 X 1.75 X 30, 8.8	1
	28	32486	(000000–) Washer, Flat, 0.50 Sae	1
	29	48985	(000000–) Nut, Hex, Jam, .50–20	1

Fig. 6 – Side Brush Solution Control Group



**Fig. 6 – Side Brush Solution Control Group**

<b>Ref.</b>	<b>Part No.</b>	<b>Serial Number</b>	<b>Description</b>	<b>Qty.</b>
1	1040834	(000000-002241 )	Angle, Mtg, Valve	1
2	1022106	(000000- )	Valve Assy, Water, Solenoid, 12vdc	1
3	09738	(000000- )	Screw, Hex, M5 X 0.8 X 12, Ss	2
4	09739	(000000- )	Nut, Hex, Lock, M5 X 0.8, NI, Ss	2
5	17284	(000000-002241 )	Screw, Btn, M8 X 1.25 X 16, Ss	1
6	32491	(000000-002241 )	Washer, Flat, 0.31, Std	1
7	08713	(000000-002241 )	Nut, Hex, Lock, M8 X 1.25, NI, Ss	1
8	393255	(000000- )	Fitting, Plstc, Tee, Bm12/Bm12/Bm12	1
9	1015045	(000000- )	Hose, Afmkt, Pvc, Brd 0.75id 08ft	1
10	63810	(000000- )	Clamp, Hose, Wormdrive, 0.56-1.06d, .56w	4
11	82839	(000000- )	Tread, Non-Skid, 02.2w 11.5l	1
12	1022318	(000000- )	Guard Wldt, Brush, Side	1
13	12317	(000000- )	Screw, Hex, M10 X 1.5 X 30, Ss	4
14	01686	(000000- )	Washer, Flat, 0.44b 1.00d .08, Ss	4
15	9006334	(000000-003062 )	Pin Kit, Wheel, Ci [M20/T20/M30]	1
16	1060130	(000000- )	Wheel, 06.0D 2.00W 1.19B, Gray Rbr	2
17	761490	(000000-003062 )	Pin, Cotter, Hair, Dbl	1
18	50178	(000000- )	Hose, Pvc, Clr, 0.50id 0.69od 26.00l	1
19	54333	(000000- )	Clamp, Hose, Wormdrive, 0.31-0.88d, .31w	2
20	23146	(003063- )	Pin, Roll, .187d X 1.62l, .187/.192	1
21	1053838	(003063- )	Pin, 30mmd X 215mml	1
22	47719	(003063- )	Washer, Flat, 1.26b 1.88d .13, Stl	1
23	34411	(003063- )	Pin, Cotter, Hair, 1.00d .178 Wir	1

Fig. 7 – Side Brush Hydraulic Valve Group

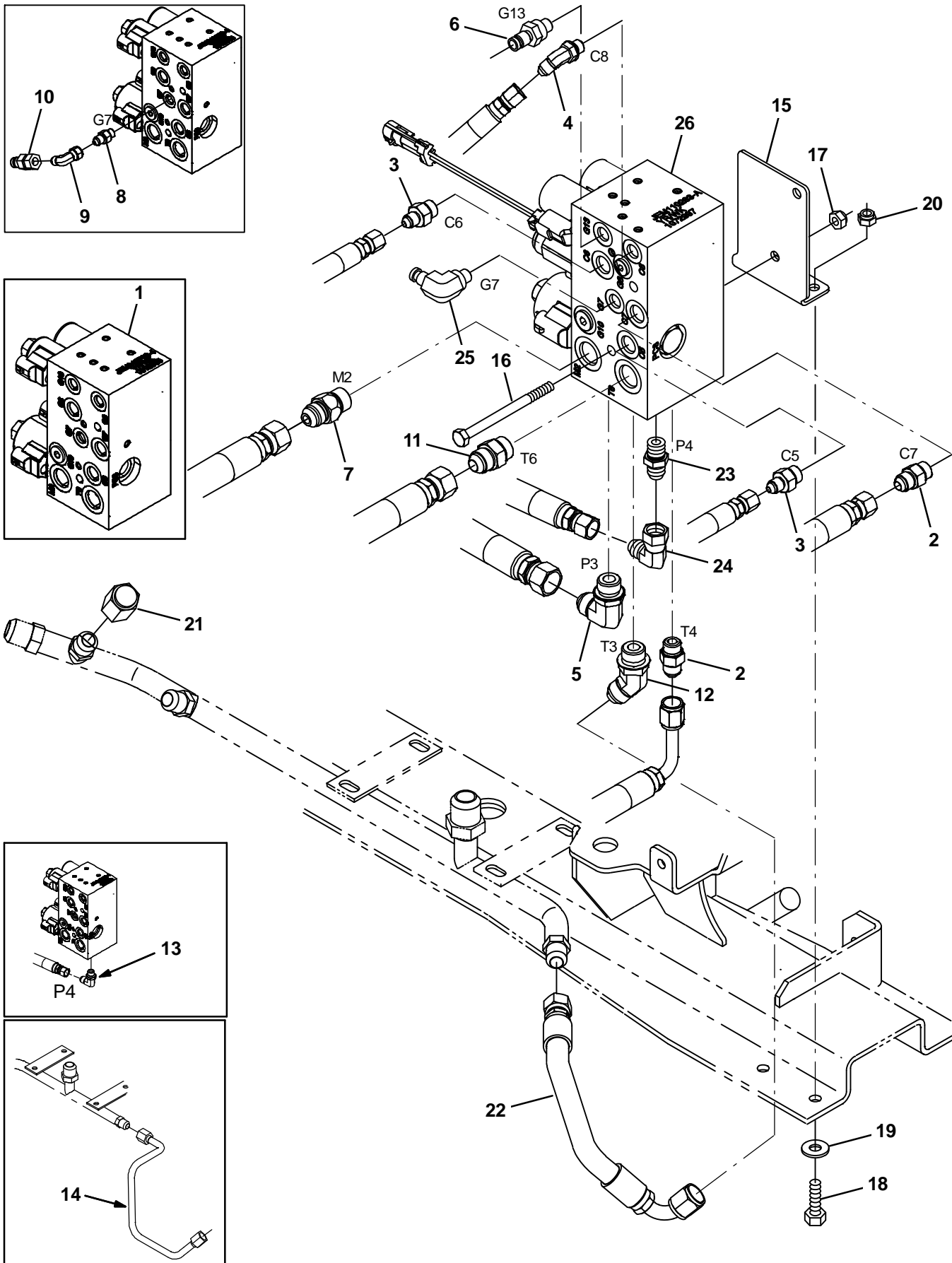
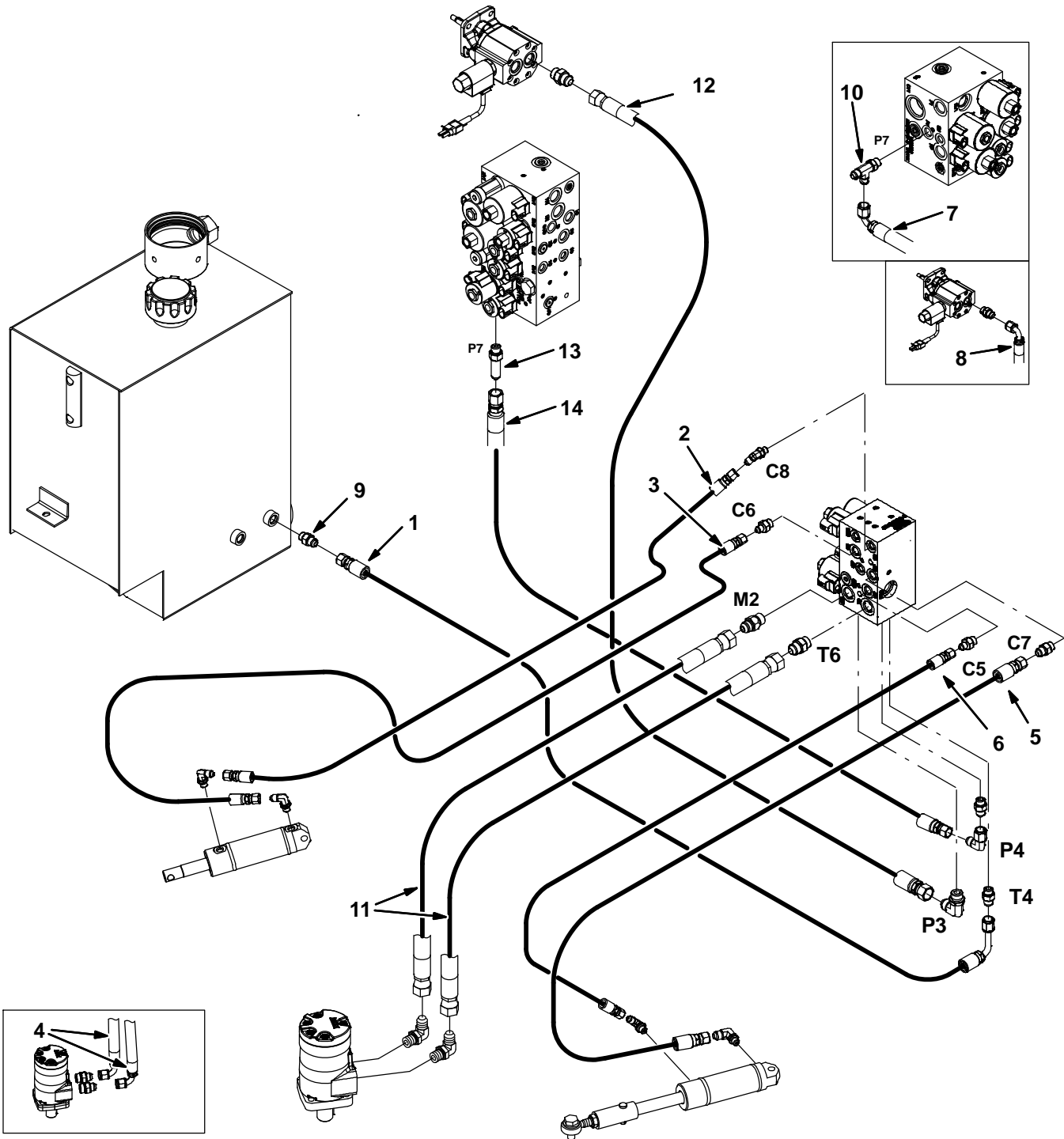


Fig. 7 – Side Brush Hydraulic Valve Group

Ref.	Part No.	Serial Number	Description	Qty.
1	1018938	(000000–002015 )	Valve, Cntrl, Hyd [M20 And T20] (See Breakdowns)	1
1	1037805	(002016–006286 )	Valve, Hyd, Solenoid 12vdc 3000psi (See Breakdowns)	1
2	56690	(000000– )	Fitting, Hyd, Str, Jm06/Om06	2
3	55685	(000000– )	Fitting, Hyd, Str, Jm04/Om06	2
4	34359	(000000– )	Fitting, Hyd, E45, Jm04/Om04	1
5	44868	(000000– )	Fitting, Hyd, E90, Jm08/Om08	1
6	395973	(000000– )	Fitting, Hyd, Str, Om04/Qm04	1
7	1026119	(000000– )	Valve, Hyd, Check, Jm08/Om08 5000psi	1
8	55586	(000000–002951 )	Fitting, Hyd, Str, Jm04/Om04	1
9	39210	(000000–002951 )	Fitting, Hyd, E90, Jf04/Jm04	1
10	396476	(000000–002951 )	Fitting, Hyd, Str, Jf04/Qm04	1
11	44869	(000000– )	Fitting, Hyd, Str, Jm08/Om08	1
12	42226	(000000– )	Fitting, Hyd, E45, Jm08/Om08	1
13	56820	(000000–002015 )	Fitting, Hyd, E90, Jm06/Om06	1
14	1025405	(000000–001357 )	Tube, Hyd, 08 Jf08/Jf08	1
15	1045272	(000000– )	Bracket, Valve, Sba [M20 And T20]	1
16	364441	(000000– )	Screw, Hex, M8 X 1.25 X 110, Ss	2
17	08709	(000000– )	Nut, Hex, Lock, M8 X 1.25, NI	2
18	09010	(000000– )	Screw, Hex, M8 X 1.25 X 25, Ss	2
19	32491	(000000– )	Washer, Flat, 0.31, Std	2
20	08713	(000000– )	Nut, Hex, Lock, M8 X 1.25, NI, Ss	2
21	60090	(000000– )	Fitting, Hyd, Cap, Jf08	1
22	1037011	(001358– )	Hose, Hyd, Tc08, Jf08str/Jf08e90, 012.0	1
23	56690	(002016– )	Fitting, Hyd, Str, Jm06/Om06	1
24	47504	(002016– )	Fitting, Hyd, E90, Jf06/Jm06	1
25	395974	(002952– )	Fitting, Hyd, E90, Om04/Qm04	1
26	1072997	(006287– )	Valve, Cntrl, Hyd, Solenoid, 03/16gpm (See Breakdowns)	1

Fig. 8 – Side Brush Hydraulic Hose Group



**Fig. 8 – Side Brush Hydraulic Hose Group**

<b>Ref.</b>	<b>Part No.</b>	<b>Serial Number</b>	<b>Description</b>	<b>Qty.</b>
1	361047	(000000– )	Hose, Hyd, Med06, Jf06e90l/Jf06str,038.0	1
2	1023485	(000000– )	Hose, Hyd, Tc06, Jf06str/Jf06str, 033.0	1
3	1025990	(000000– )	Hose, Hyd, Tc04, Jf04str /Jf04str, 39.0	1
4	1023486	(000000–001337 )	Hose, Hyd, Tc08, Jf08e90/Jf08str, 034.0	2
5	1025991	(000000– )	Hose, Hyd, Tc06, Jf06str /Jf06str, 23.0	1
6	1025992	(000000– )	Hose, Hyd, Tc04, Jf04str /Jf04str, 20.0	1
7	1025445	(000000–002699 )	Hose, Hyd, Tc06, Jf06str /Jf06e90, 74.0	1
8	365004	(000000–001337 )	Hose, Hyd, Tc08, Jf08e90/Jf08str, 056.0	1
9	56690	(000000– )	Fitting, Hyd, Str, Jm06/Om06	1
10	76316	(000000–002699 )	Fitting, Hyd, Tee, Jm06/Jm06/Om06, Run	1
11	1036965	(001338– )	Hose, Hyd, Tc08, Jf08str/Jf08str, 034.0	1
12	1036944	(001338–005999 )	Hose, Hyd, Tc08, Jf08str/Jf08str, 056.0	1
12	1036946	(006000– )	Hose, Hyd, Tc08, Jf08str/Jf08str, 084.0	1
13	59577	(002700– )	Fitting, Hyd, Str, Jm06/Om06, Long	1
14	377236	(002700–005999 )	Hose, Hyd, Tc06, Jf06Str/Jf06Str, 062.0	1
14	1041389	(006000– )	Hose, Hyd, Tc06, Jf06str/Jf06str, 086.0	1

Fig. 9 – FaST Solution Pump Group (000000–002532)

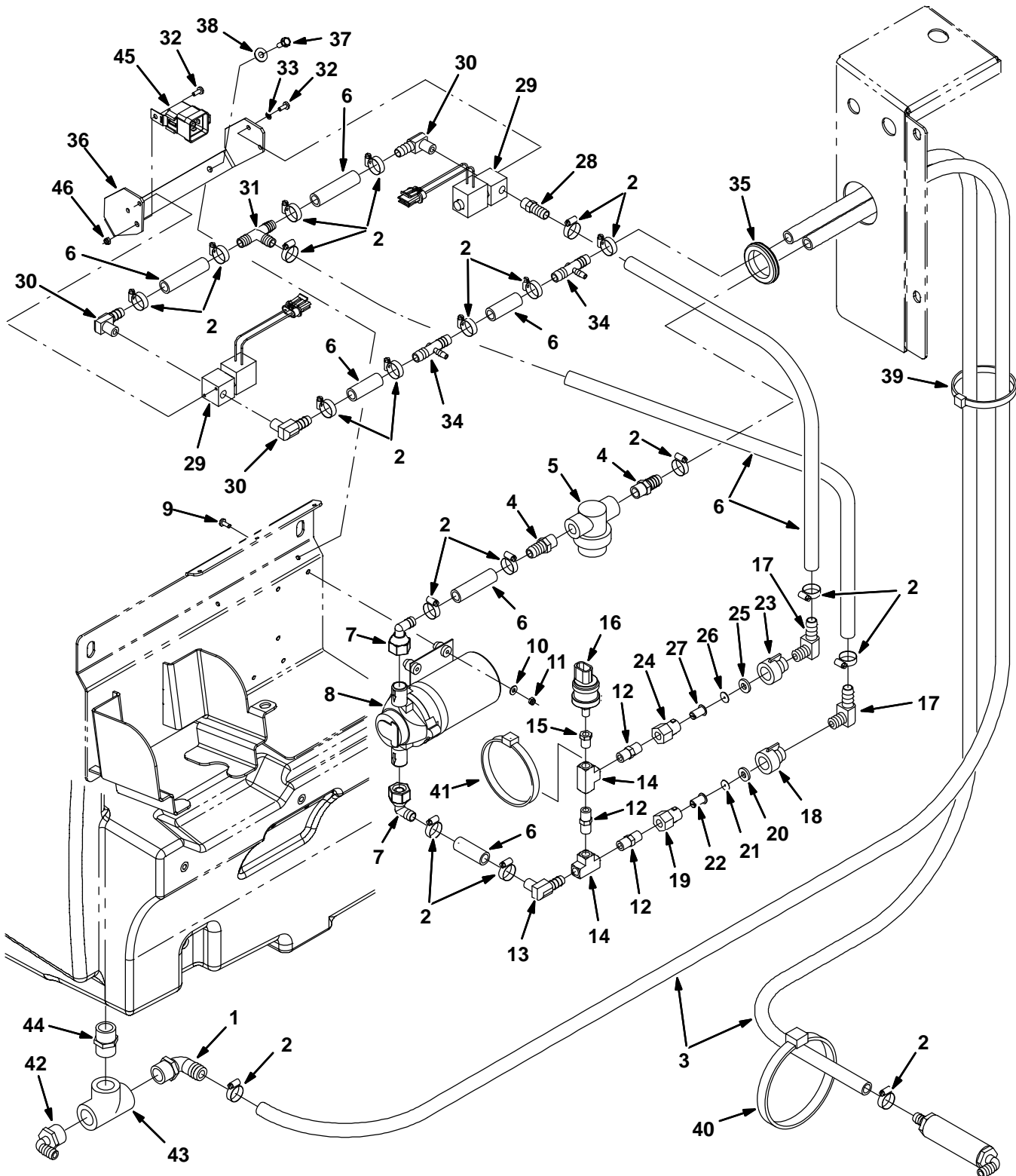


Fig. 9 – FaST Solution Pump Group (000000–002532)

Ref.	Part No.	Serial Number	Description	Qty.	
1	1005552	(000000–002532 )	Fitting, Plstc, E90, Bm08/Pm12, Nyl	1	
2	54333	(000000–002532 )	Clamp, Hose, Wormdrive, 0.31–0.88d, .31w	1	
3	1011412	(000000–002532 )	Hose, Afmkt, Pvc, Brd 0.50id 08ft	1	
4	64743	(000000–002532 )	Fitting, Plstc, Str, Bm08/Pm06	2	
5	1005302	(000000–002532 )	Filter, In-Line, Pf06/Pf06, 80 Mesh	1	
6	1006401	(000000–002532 )	Hose, Afmkt, Pvc, Brd 0.50id 03ft	1	
7	1018499	(000000–002532 )	Fitting, Plstc, E90, Bm08/Pf08s, Swivel	2	
8	1030878	(000000–002532 )	Pump, Soltn, Ele, 12vdc [W/O Chk Valve]	1	
9	17185	(000000–002532 )	Screw, Pan, M5 X 0.8 X 40, Ss	4	
10	01683	(000000–002532 )	Washer, Flat, #10, Ss	4	
11	09739	(000000–002532 )	Nut, Hex, Lock, M5 X 0.8, NI, Ss	4	
12	398468	(000000–002532 )	Fitting, Brs, Str, Pm04/Pm04	3	
13	1010836	(000000–002532 )	Fitting, Brs, E90, Bm08/Pm04	1	
14	398474	(000000–002532 )	Fitting, Brs, Tee, Pf04/Pf04/Pf04	2	
15	150100	(000000–002532 )	Fitting, Brs, Str, Pf02/Pm04	1	
16	1028582	(000000–002532 )	Switch, Press, 10psi, Spst	1	
17	1010836	(000000–002532 )	Fitting, Brs, E90, Bm08/Pm04	2	
▽	1030864	(000000–002532 )	Fitting Assy, Orifice, 0.070b, Pf04/Pf04	1	
▲	18	1005506	(000000–002532 )	Fitting, Plstc, Cap, Spray, Pf04	1
▲	19	1005507	(000000–002532 )	Fitting, Plstc, Body, Spray, Pf04	1
▲	20	1005508	(000000–002532 )	Washer, Flat, 0.34b 0.75d .12 [Viton]	1
▲	21	1018883	(000000–002532 )	Plate, Orifice, 0.070id	1
▲	22	1006447	(000000–002532 )	Filter, Screen, 50 Mesh .59d .8l Ss	1
▽	1030863	(000000–002532 )	Fitting Assy, Orifice, 0.093b, Pf04/Pf04	1	
▲	23	1005506	(000000–002532 )	Fitting, Plstc, Cap, Spray, Pf04	1
▲	24	1005507	(000000–002532 )	Fitting, Plstc, Body, Spray, Pf04	1
▲	25	1005508	(000000–002532 )	Washer, Flat, 0.34b 0.75d .12 [Viton]	1
▲	26	1018884	(000000–002532 )	Plate, Orifice, 0.093id	1
▲	27	1006447	(000000–002532 )	Filter, Screen, 50 Mesh .59d .8l Ss	1
28	762249	(000000–002532 )	Fitting, Brs, Str, Bm08/Pm04	1	
29	1018098	(000000–002532 )	Valve, Water, 12vdc, 6.0mm, 04pf	2	
30	1010836	(000000–002532 )	Fitting, Brs, E90, Bm08/Pm04	3	
31	63245–1	(000000–002532 )	Fitting, Plstc, Tee, Bm08/Bm08/Bm08	1	
32	09200	(000000–002532 )	Screw, Pan, M5 X 0.8 X 12, Ss	5	
33	07514	(000000–002532 )	Washer, Lock, Int, #10, Ss	4	
34	1010684	(000000–002532 )	Fitting, Plstc, Tee, Bm04/Bm08/Bm08, Br	2	
35	10632–19	(000000–002532 )	Grommet, Rbr, 2.13id, F/2.5h, .12 Matl	1	
36	1026074	(000000–002532 )	Plate, Hsng [FaST]	1	
37	361339	(000000–002532 )	Screw, Hex, M6 X 1.0 X 16, Fmg	4	
38	32490	(000000–002532 )	Washer, Flat, 0.25 Std	4	
39	49266	(000000–002532 )	Tie, Cable, Nyl, 07.3l .19w 1.8 Max D	1	
40	763116	(000000–002532 )	Tie, Cable, Nyl, 15.3l . W 4.5 Max D	1	
41	763114	(000000–002532 )	Tie, Cable, 11.3l, 2.75d Max	1	
42	14877	(000000–002532 )	Fitting, Plstc, E90, Bm12/Pm12	1	
43	42133A	(000000–002532 )	Fitting, Plstc, Tee, Pf12/Pf12/Pf12	1	
44	24544	(000000–002532 )	Fitting, Plstc, Str, Pm12/Pm12 1.60l	1	
45	56186	(000000–002532 )	Relay, 12vdc, 40a, Spdt N/O	1	
46	09739	(000000–002532 )	Nut, Hex, Lock, M5 X 0.8, NI, Ss	1	

**Fig. 10 – FaST Air Pump and Detergent Group (000000–002532)**

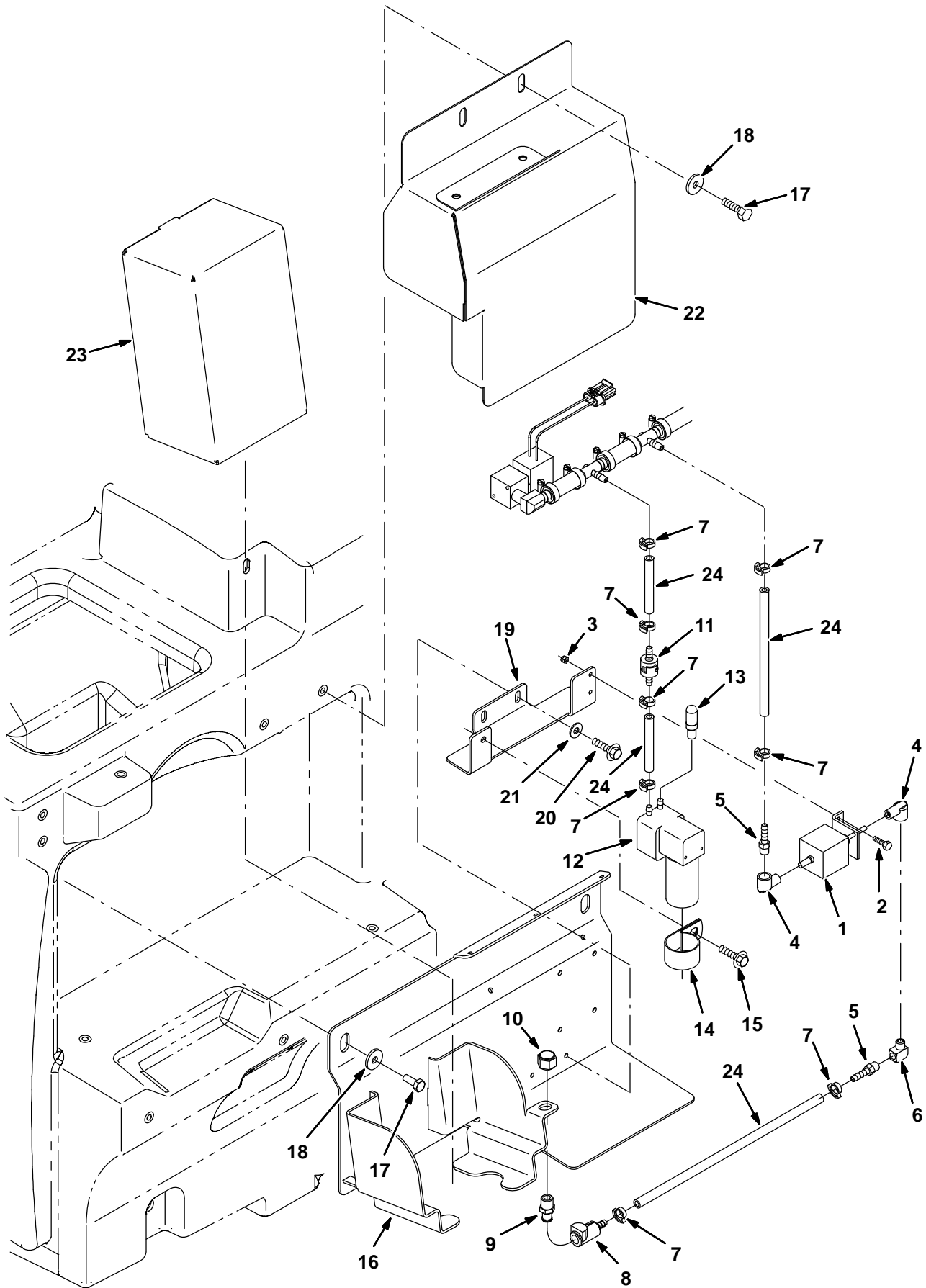
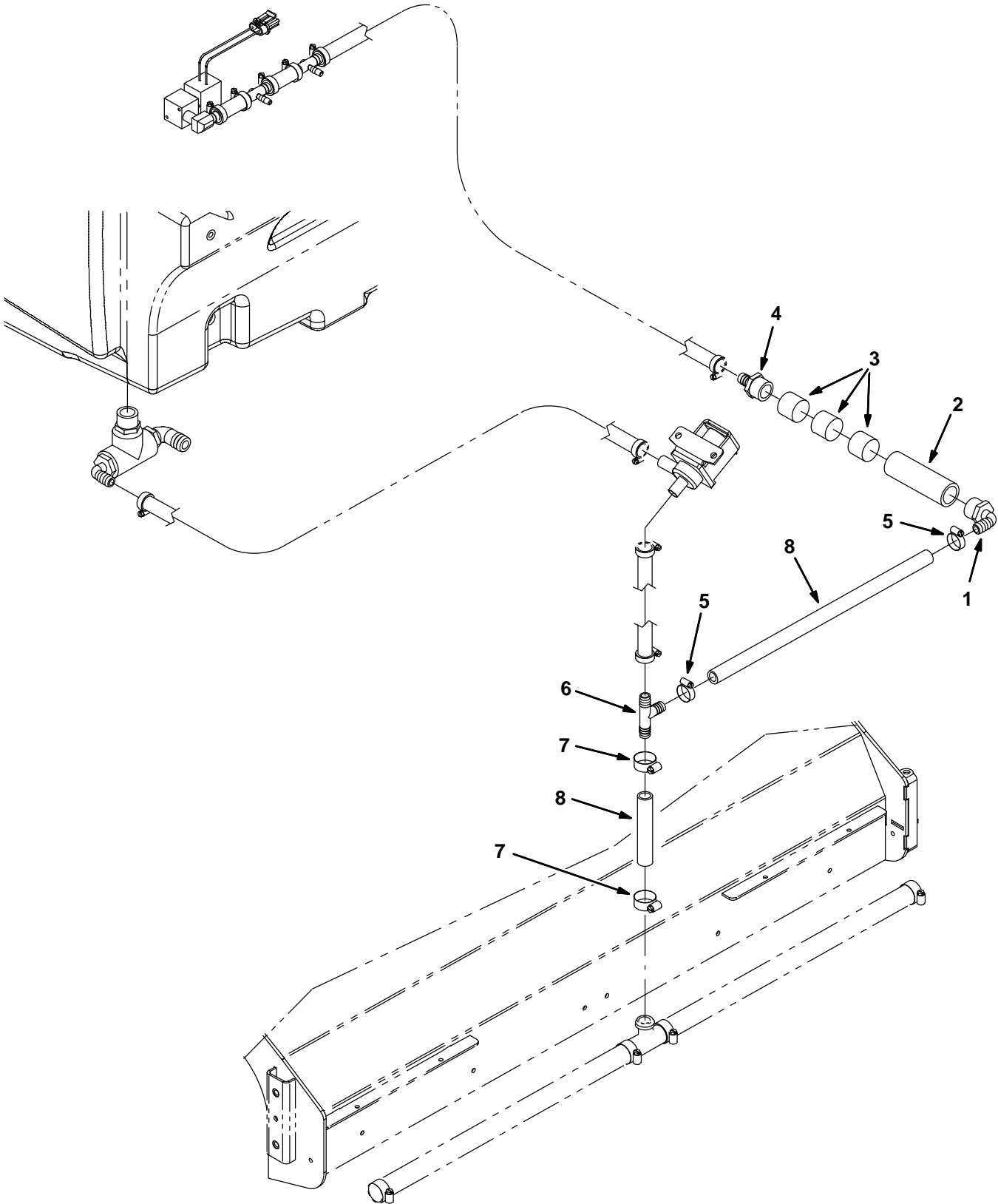


Fig. 10 – FaST Air Pump and Detergent Group (000000–002532)

Ref.	Part No.	Serial Number	Description	Qty.
1	1018097	(000000–002532 )	Pump, Detgt, 12vdc	1
2	09206	(000000–002532 )	Screw, Hex, M4 X 0.7 X 12, 8.8	2
3	02850	(000000–002532 )	Nut, Hex, Lock, M4 X 0.7, NI	2
4	1014082	(000000–002532 )	Fitting, Brs, E90, Cf03/Pf02	2
5	150525	(000000–002532 )	Fitting, Brs, Str, Bm04/Pm02	2
6	11984	(000000–002532 )	Fitting, Pipe, E90, Pf02/Pm02	1
7	1014575	(000000–002532 )	Clamp, Hose, Plstc .351–.394 Id	8
8	1002898	(000000–002532 )	Fitting, Plstc, Str, Bm04, Cplg, Fem	1
9	1002899	(000000–002532 )	Fitting, Plstc, Str, Pm04, Cplg, Mal	1
10	1005435	(000000–002532 )	Fitting, Plstc, Pipe, Cap, Pf04	1
11	1013902	(000000–002532 )	Valve, Check, 0002psi Bm04/Bm04	1
12	1018780	(000000–002532 )	Pump, Air, Ele, 12vdc	1
13	1005255	(000000–002532 )	Filter Assy, Air, Mold, Ure	1
14	53466	(000000–002532 )	Clamp, Cable, Stl, 1.50d X 1.00w, 1h	1
15	76099	(000000–002532 )	Screw, Hex, M8 X 1.25 X 25, Fmg	1
16	1026067	(000000–002532 )	Bracket Wldt, Mtg [FaST]	1
17	09740	(000000–002532 )	Screw, Hex, M8 X 1.25 X 20, Ss	4
18	1017218	(000000–002532 )	Washer, Flat, 0.32b 1.00d .12, Ss	4
19	1029118	(000000–002532 )	Bracket, Mtg [FaST]	1
20	361339	(000000–002532 )	Screw, Hex, M6 X 1.0 X 16, Fmg	2
21	32490	(000000–002532 )	Washer, Flat, 0.25 Std	2
22	1033297	(000000–002532 )	Cover Wldt [FaST]	1
23	1021878	(000000–002532 )	Detergent Pkg, 4 Liter, Sgl [Tco 665]	1
24	1006415	(000000–002532 )	Hose, Afmkt, Pvc, Clr 0.25id 03ft	1

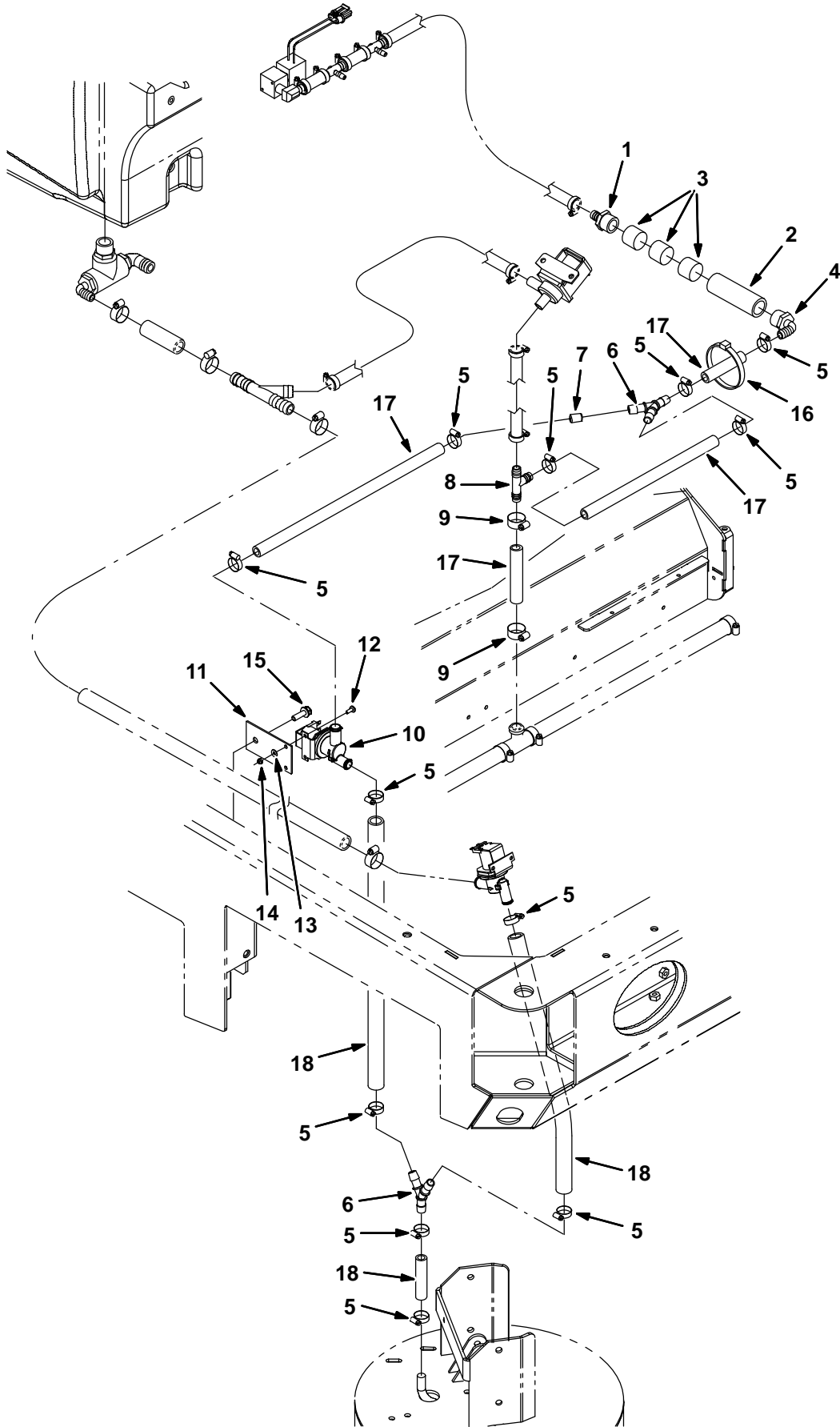
Fig. 11 – FaST Foam Filter Group (000000–002532)



**Fig. 11 – FaST Foam Filter Group (000000–002532)**

<b>Ref.</b>	<b>Part No.</b>	<b>Serial Number</b>	<b>Description</b>	<b>Qty.</b>
1	1005552	(000000–002532 )	Fitting, Plstc, E90, Bm08/Pm12, Nyl	1
2	1005086	(000000–002532 )	Tube, Pvc, Clr, 4.0l [Shc80]	1
3	1002789	(000000–002532 )	Filter, Foam, Rbr, 1.20d, 1.0l	3
4	79273–1	(000000–002532 )	Fitting, Plstc, Str, Bm08/Pm12	1
5	54333	(000000–002532 )	Clamp, Hose, Wormdrive, 0.31–0.88d, .31w	2
6	385644	(000000–002532 )	Fitting, Plstc, Tee, Bm08/Bm12/Bm12, Br	1
7	63810	(000000–002532 )	Clamp, Hose, Wormdrive, 0.56–1.06d, .56w	2
8	1011521	(000000–002532 )	Hose, Afmkt, Pvc, Brd 0.50id 02ft	1

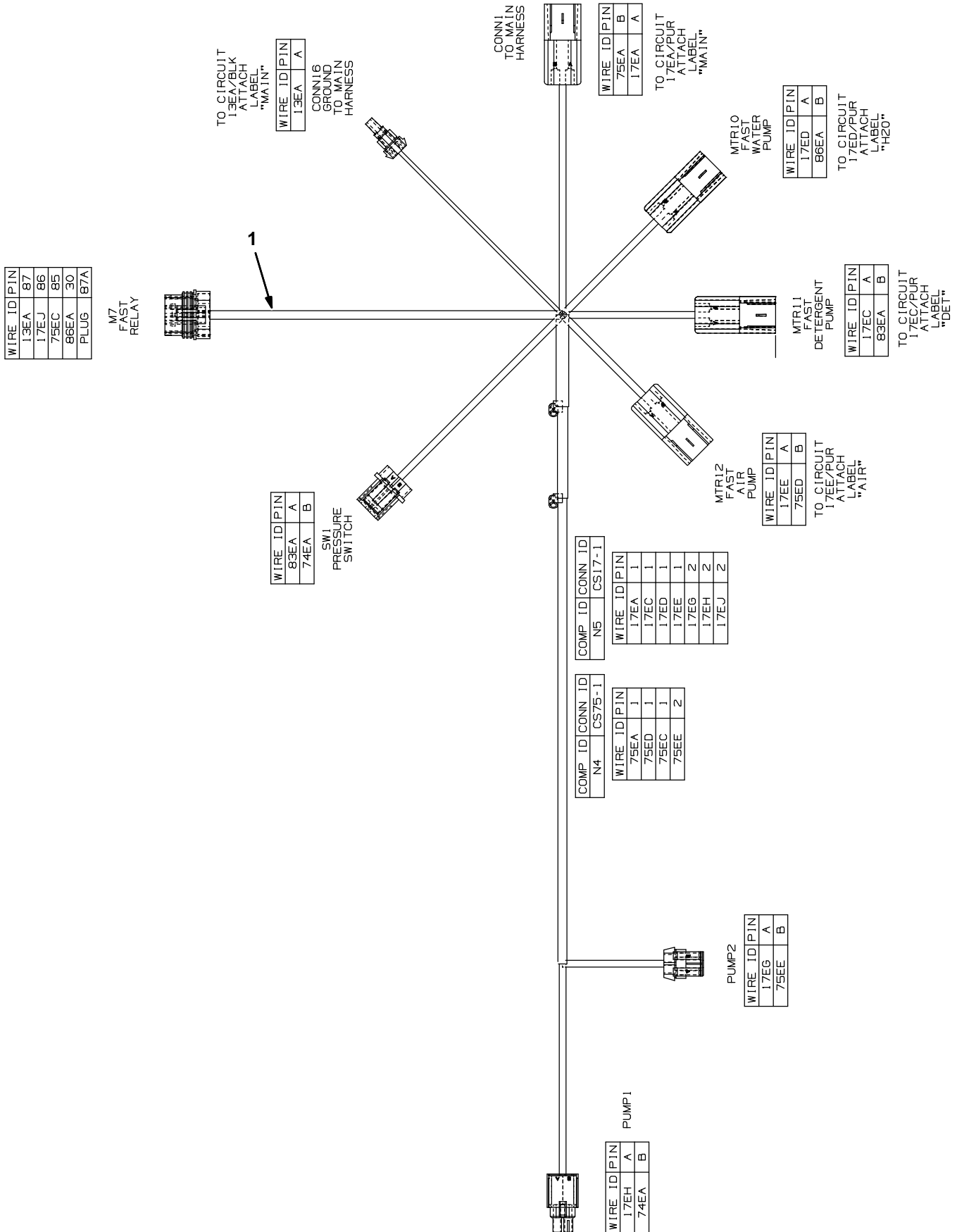
Fig. 12 – FaST Foam Filter Group, Side Brush (000000–002532)



**Fig. 12 – FaST Foam Filter Group, Side Brush (000000–002532)**

<b>Ref.</b>	<b>Part No.</b>	<b>Serial Number</b>	<b>Description</b>	<b>Qty.</b>
1	79273-1	(000000–002532 )	Fitting, Plstc, Str, Bm08/Pm12	1
2	1005086	(000000–002532 )	Tube, Pvc, Clr, 4.0l [Shc80]	1
3	1002789	(000000–002532 )	Filter, Foam, Rbr, 1.20d, 1.0l	3
4	1005552	(000000–002532 )	Fitting, Plstc, E90, Bm08/Pm12, Nyl	1
5	54333	(000000–002532 )	Clamp, Hose, Wormdrive, 0.31–0.88d, .31w	10
6	1010668	(000000–002532 )	Fitting, Plstc, Y, Bm08/Bm08/Bm08, Nyl	2
7	1018333	(000000–002532 )	Fitting, Plstc, Rst, .50od /.13id	1
8	385644	(000000–002532 )	Fitting, Plstc, Tee, Bm08/Bm12/Bm12, Br	1
9	63810	(000000–002532 )	Clamp, Hose, Wormdrive, 0.56–1.06d, .56w	2
10	1037825	(000000–002532 )	Valve, Solenoid, 12vdc, Water Flow	1
11	1030511	(000000–002532 )	Plate, Mtg, Valve	11
12	09200	(000000–002532 )	Screw, Pan, M5 X 0.8 X 12, Ss	2
13	01683	(000000–002532 )	Washer, Flat, #10, Ss	2
14	09739	(000000–002532 )	Nut, Hex, Lock, M5 X 0.8, NI, Ss	2
15	76099	(000000–002532 )	Screw, Hex, M8 X 1.25 X 25, Fmg	1
16	763116	(000000–002532 )	Tie, Cable, Nyl, 15.3l . W 4.5 Max D	1
17	1011412	(000000–002532 )	Hose, Afmkt, Pvc, Brd 0.50id 08ft	1
18	1015067	(000000–002532 )	Hose, Afmkt, Pvc, Clr 0.50id 08ft	1

Fig. 13 – FaST Wire Harness Group (000000-002532)



**Fig. 13 – FaST Wire Harness Group (000000–002532)**

<b>Ref.</b>	<b>Part No.</b>	<b>Serial Number</b>	<b>Description</b>	<b>Qty.</b>
1	1019646	(000000–002532 )	Harness [FaST, M20 And T20]	1

Fig. 14 – FaST Pumps and Detergent Group (002533– )

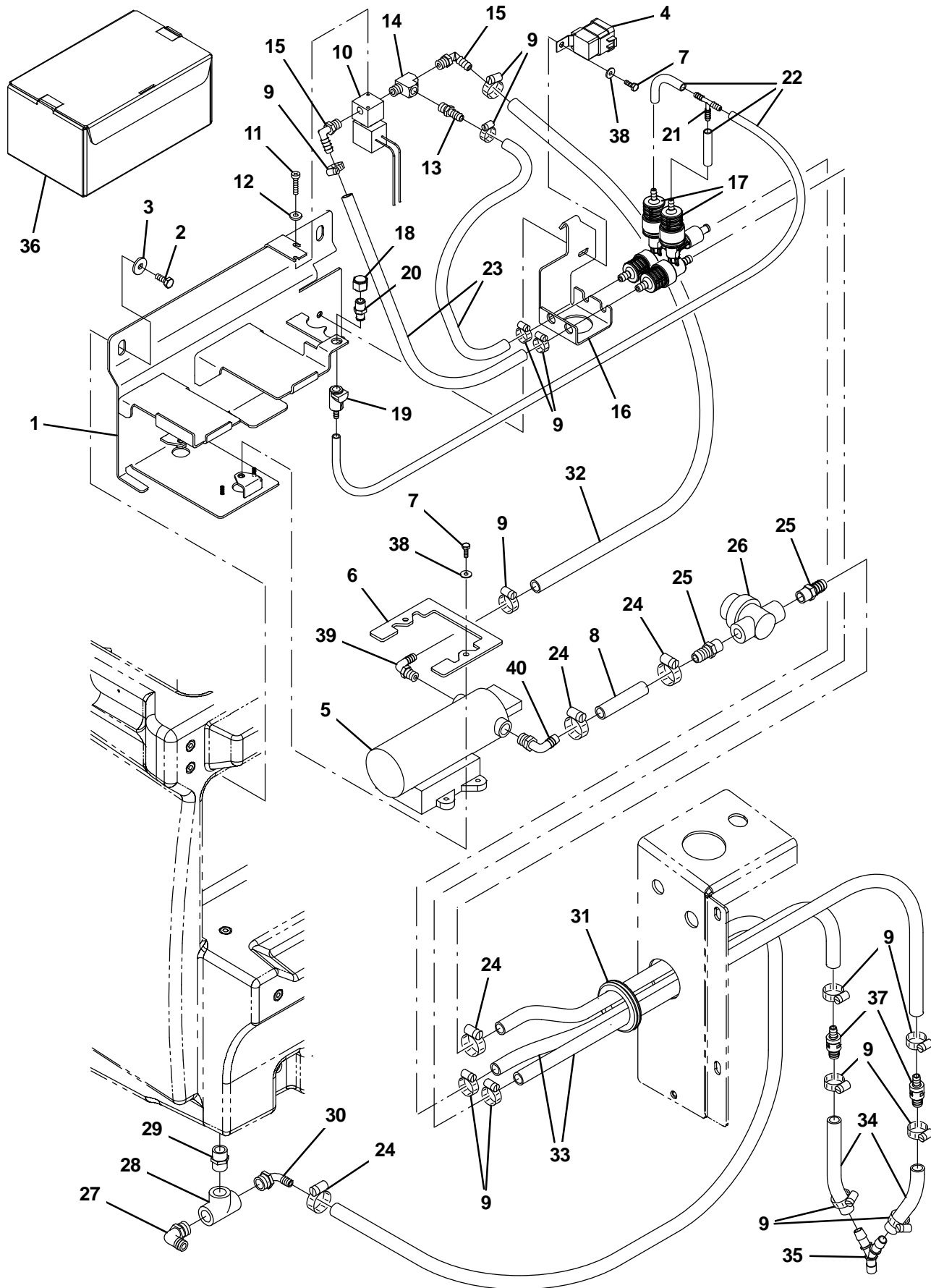
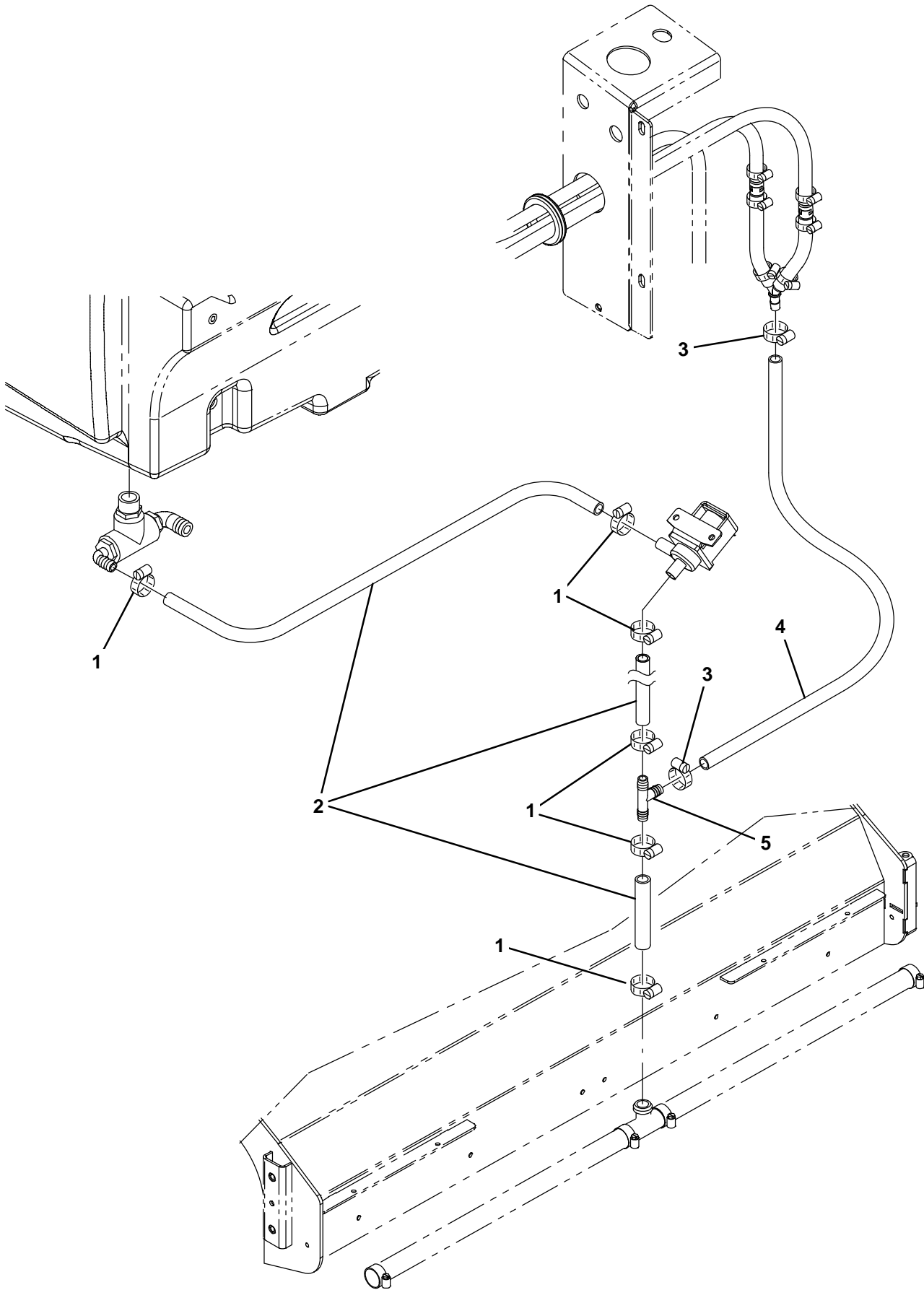


Fig. 14 – FaST Pumps and Detergent Group (002533– )

Ref.	Part No.	Serial Number	Description	Qty.
1	1044342	(002533– )	Bracket Wldt, Mtg [FaST Gen 2+]	1
2	09740	(002533– )	Screw, Hex, M8 X 1.25 X 20, Ss	2
3	1017218	(002533– )	Washer, Flat, 0.32b 1.00d .12, Ss	2
4	56186	(002533– )	Relay, 12vdc, 040a, Spdt No	1
5	1036801	(002533– )	Pump, Soltn, 13.7vdc, 65psi [FaST li+]	1
6	1039357	(002533– )	Bracket, Retainer, Pump	1
7	15678	(002533– )	Screw, Hex, M6 X 1.00 X 16, Ss	3
8	1011403	(002533– )	Hose, Afmkt, Pvc, Brd, 0.50ld, 01Ft, Clr	1
9	43844	(002533– )	Clamp, Hose, Wormdrive, 0.25–0.62d, .31w	14
10	1018098	(002533– )	Valve, Water, Solenoid, 12vdc 6.0mm Pf04	1
11	09200	(002533– )	Screw, Pan, Phl, M5 X 0.80 X 12, Ss	2
12	01683	(002533– )	Washer, Flat, 10, Ss	2
13	150540	(002533– )	Fitting, Plstc, Str, Bm06/Pm04	1
14	150709	(002533– )	Fitting, Brs, Tee, Pf04/Pf04/Pm04, Run	1
15	57248	(002533– )	Fitting, Plstc, E90, Bm06/Pm04, Nyl	2
16	1044343	(002533– )	Bracket, Mtg [FaST Gen 2+]	1
17	9008868	(002533– )	FaST Kit, Injector [M20/T20/M30 FaST III] (See Breakdowns)	2
18	1005435	(002533– )	Fitting, Plstc, Pipe, Cap, Pf04	1
19	1002898	(002533– )	Fitting, Plstc, Str, Bm04, Cplg, Fem	1
20	1002899	(002533– )	Fitting, Plstc, Str, Pm04, Cplg, Mal	2
21	150713	(002533– )	Fitting, Plstc, Tee, Bm04/Bm04/Bm04	1
22	1014986	(002533– )	Hose, Afmkt, Pvc, Clr, 0.25id, 02ft	1
23	1006416	(002533– )	Hose, Afmkt, Pvc, Clr, 0.38id, 03ft	1
24	54333	(002533– )	Clamp, Hose, Wormdrive, 0.31–0.88d, .31w	8
25	150538	(002533– )	Fitting, Plstc, Str, Bm06/Pm06	2
26	1005302	(002533– )	Filter, In-Line, Pf06/Pf06 080mesh 02.6l	1
27	14877	(002533– )	Fitting, Plstc, E90, Bm12/Pm12	1
28	42133A	(002533– )	Fitting, Plstc, Tee, Pf12/Pf12/Pf12	1
29	24544	(002533– )	Fitting, Plstc, Str, Pm12/Pm12 1.60l	1
30	1005552	(002533– )	Fitting, Plstc, E90, Bm08/Pm12, Nyl	1
31	10632–19	(002533– )	Grommet, Rbr, 2.13id, F/2.5h, .12 Matl	1
32	1006400	(002533– )	Hose, Afmkt, Pvc, Brd, 0.38id, 03ft, Clr	1
33	1024237	(002533– )	Hose, Afmkt, Pvc, Wir, 0.50id, 03ft, Clr	1
34	1014929	(002533– )	Hose, Afmkt, Pvc, Clr, 0.38id, 01ft	1
35	1010668	(002533– )	Fitting, Plstc, Y, Bm08/Bm08/Bm08, Nyl	1
36	1021878	(002533– )	FaST 665 4 Ltr, Detergent	1
37	1035794	(002533– )	Valve, Check, 0005psi Bm06/Bm08	2
38	01684	(002533– )	Washer, Flat, 0.27B 0.69D .05, Ss	3
39	1049254	(002533– )	Fitting, Nyl, Qdc, E90, Bm08/ Qm10	1
40	1049259	(002533– )	Fitting, NylY, Qdc, E90, Bm06/ Qm10	1

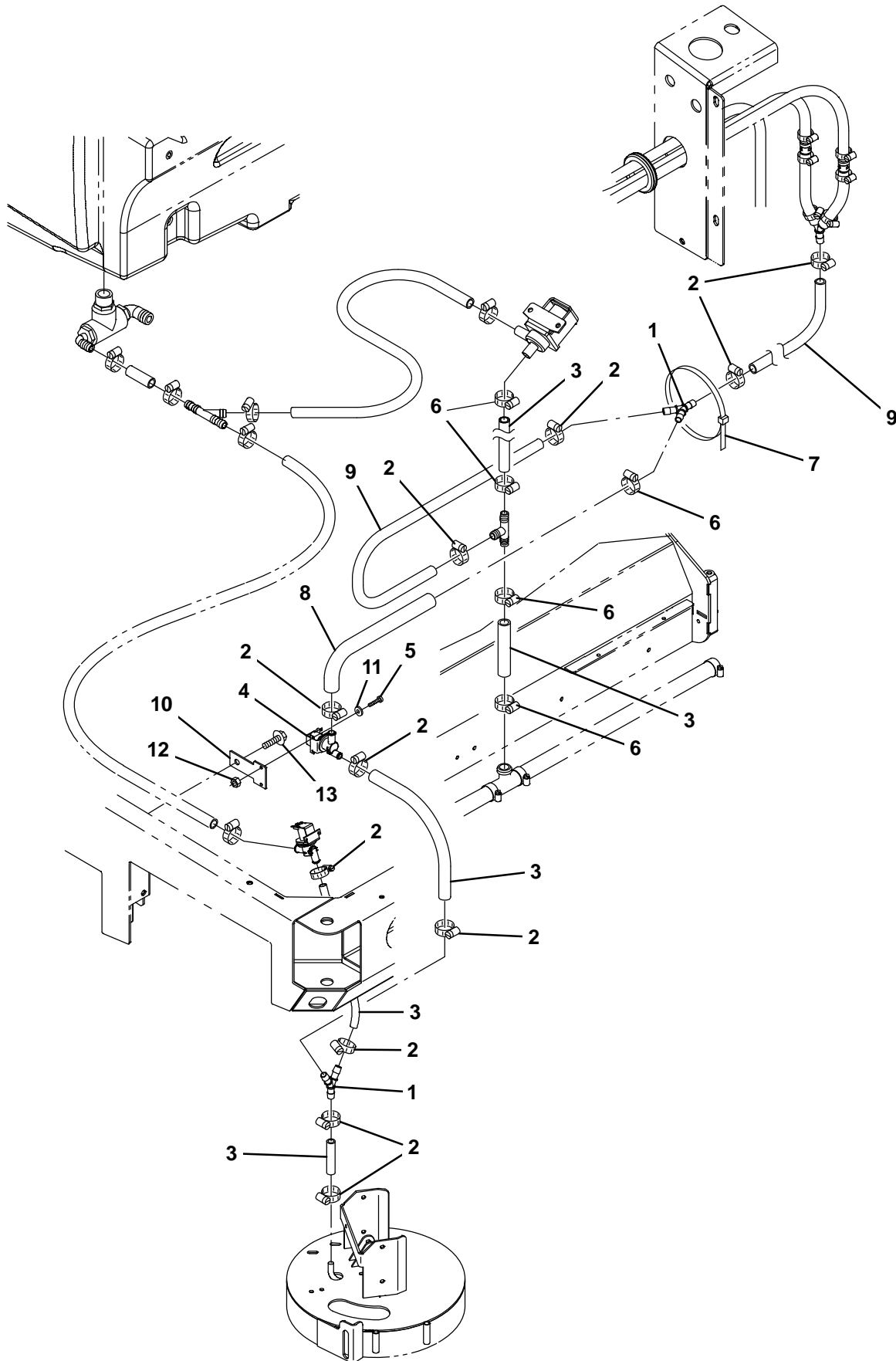
Fig. 15 – FaST Solution Supply Group (002533- )



**Fig. 15 – FaST Solution Supply Group (002533– )**

<b>Ref.</b>	<b>Part No.</b>	<b>Serial Number</b>	<b>Description</b>	<b>Qty.</b>
1	63810	(002533– )	Clamp, Hose, Wormdrive, 0.56–1.06d, .56w	6
2	1015045	(002533– )	Hose, Afmkt, Pvc, Brd, 0.75id, 08ft, Clr	1
3	54333	(002533– )	Clamp, Hose, Wormdrive, 0.31–0.88d, .31w	2
4	1011412	(002533– )	Hose, Afmkt, Pvc, Brd, 0.50id, 08ft, Clr	1
5	385644	(002533– )	Fitting, Plstc, Tee, Bm08/Bm12/Bm12, Br	1

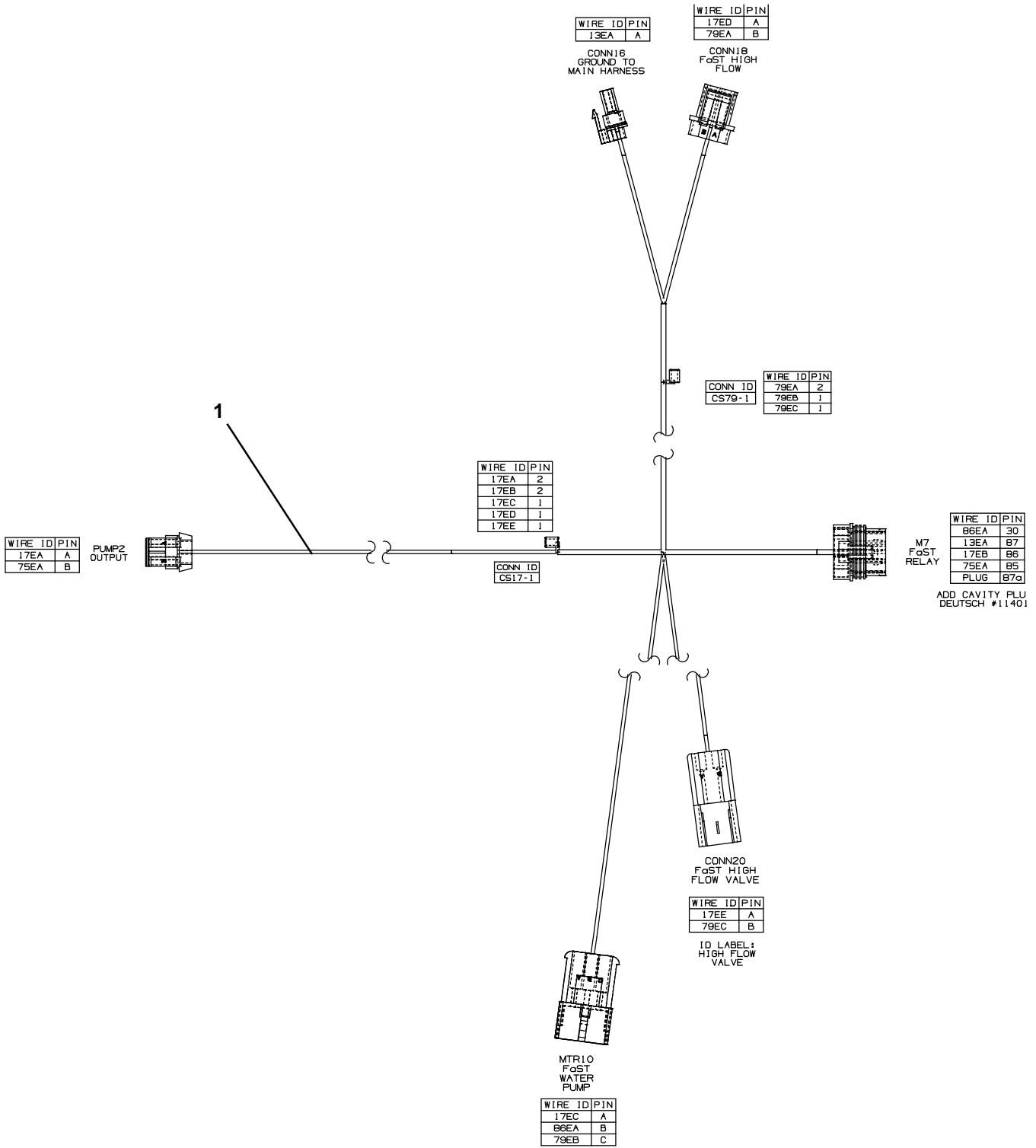
Fig. 16 – FaST Solution Supply Group with Side Brush (002533- )



**Fig. 16 – FaST Solution Supply Group with Side Brush (002533– )**

<b>Ref.</b>	<b>Part No.</b>	<b>Serial Number</b>	<b>Description</b>	<b>Qty.</b>
1	1010668	(002533– )	Fitting, Plstc, Y, Bm08/Bm08/Bm08, Nyl	2
2	54333	(002533– )	Clamp, Hose, Wormdrive, 0.31–0.88d, .31w	11
3	1015067	(002533– )	Hose, Afmkt, Pvc, Clr, 0.50id, 08ft	1
4	1037825	(002533– )	Valve, Solenoid, 12vdc, Water Flow	1
5	09200	(002533– )	Screw, Pan, Phl, M5 X 0.80 X 12, Ss	2
6	63810	(002533– )	Clamp, Hose, Wormdrive, 0.56–1.06d, .56w	5
7	763116	(002533– )	Tie, Cable, Nyl, 15.3l . W 4.5 Max D	1
8	31543	(002533– )	Hose, Heater, E90, 0.62id, 24.0 4.0	1
9	1011412	(002533– )	Hose, Afmkt, Pvc, Brd, 0.50id, 08ft, Clr	1
10	1030511	(002533– )	Plate, Mtg, Valve	1
11	01683	(002533– )	Washer, Flat, 10, Ss	2
12	09739	(002533– )	Nut, Hex, Lock, M5 X 0.80, NI, Ss	2
13	76099	(002533– )	Screw, Hex, M8 X 1.25 X 25, Fmg	1

Fig. 17 – FaST Wire Harness Group (002533– )



**Fig. 17 – FaST Wire Harness Group (002533– )**

<b>Ref.</b>	<b>Part No.</b>	<b>Serial Number</b>	<b>Description</b>	<b>Qty.</b>
1	1037809	(002533– )	Harness, Wire [FaST Gen 2]	1

Fig. 18 – ec-H2O Solution Pump Group

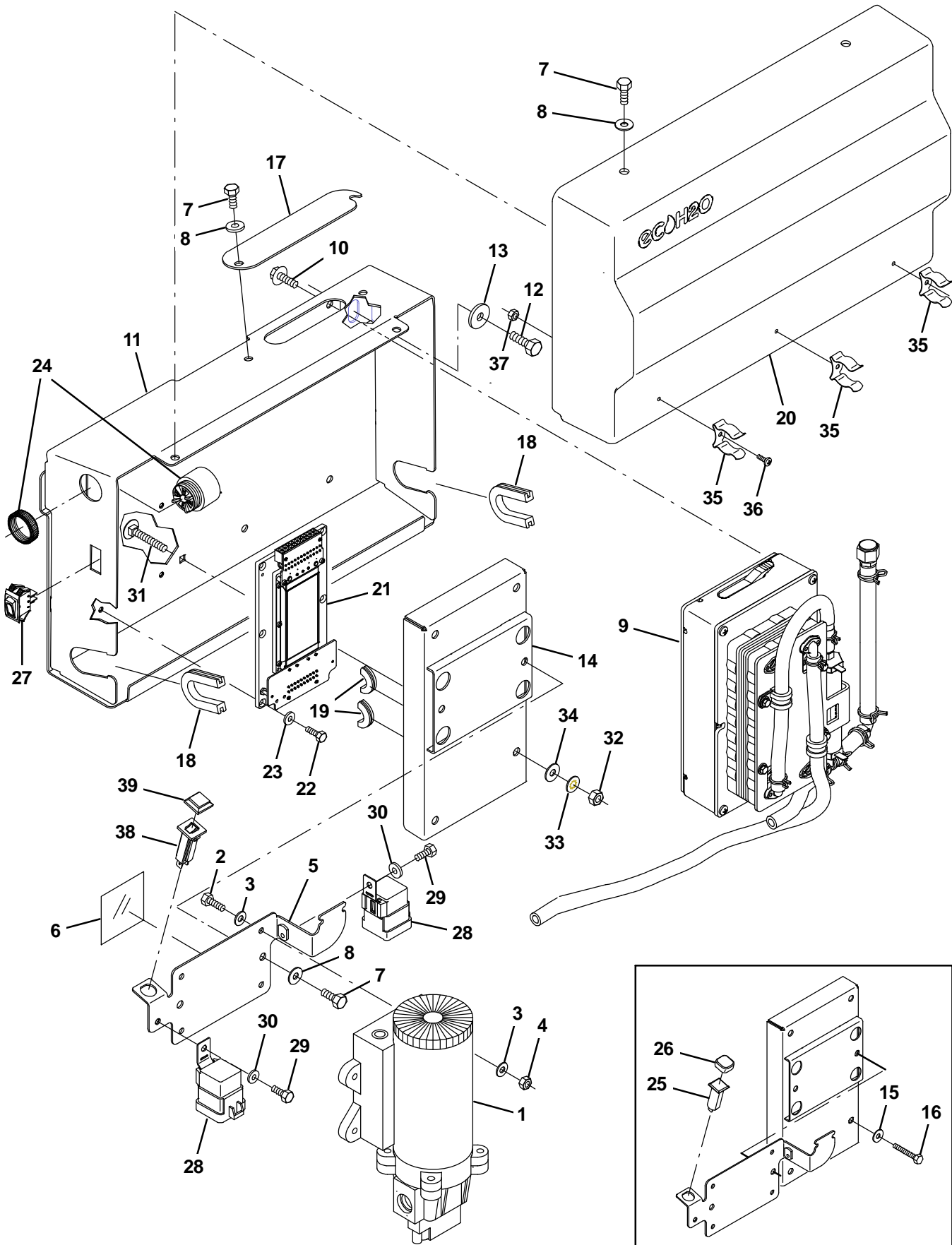
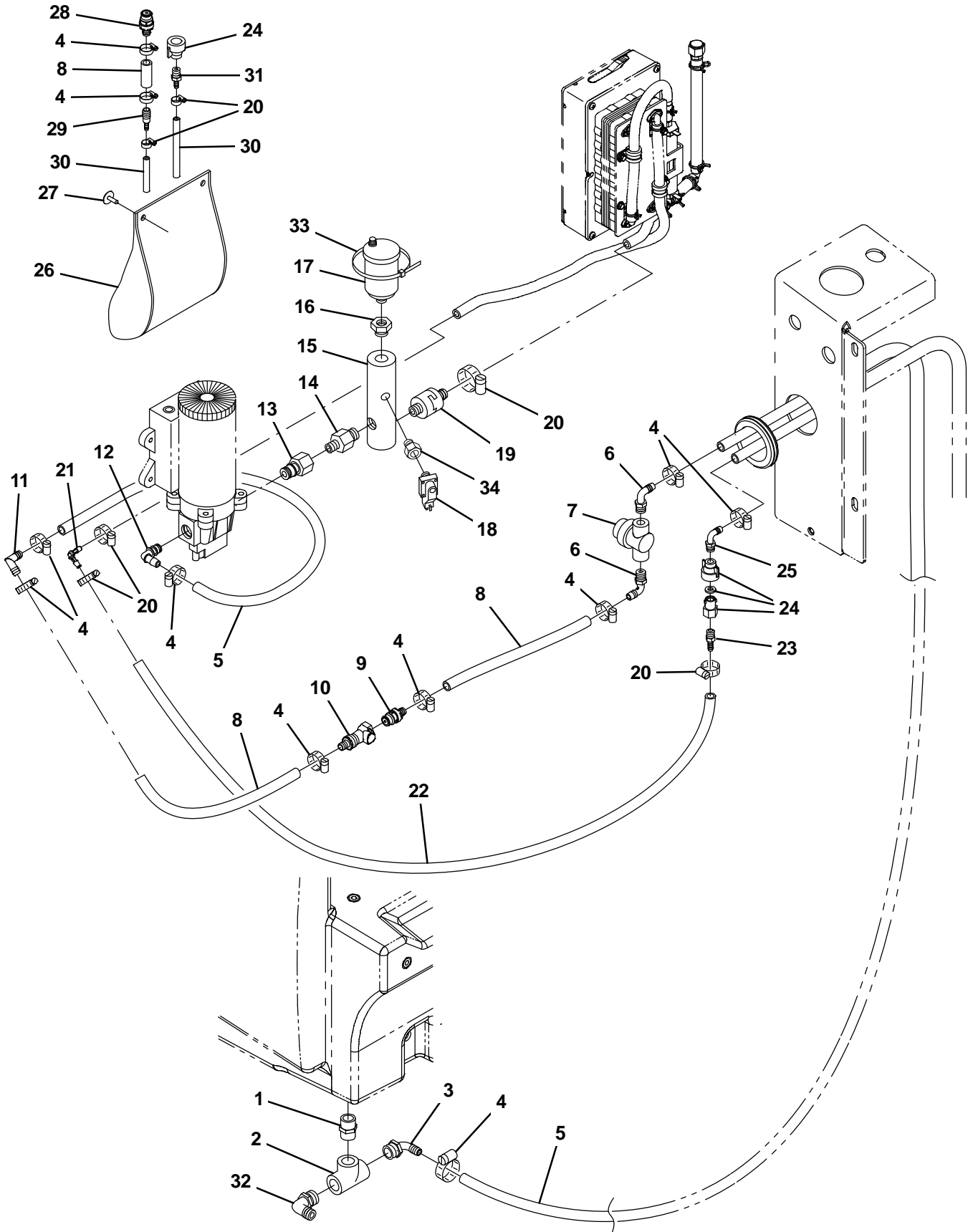


Fig. 18 – ec–H2O Solution Pump Group

Ref.	Part No.	Serial Number	Description	Qty.
1	1060624	(000000– )	Pump, Soltn, Ele, 13.7vdc,12/28psi	1
2	09252	(000000– )	Screw, Hex, M5 X 0.80 X 20, 8.8	4
3	19066	(000000– )	Washer, Flat, 10	8
4	06549	(000000– )	Nut, Hex, Lock, M5 X 0.80, NI	4
5	1060273	(000000– )	Plate, Mtg, Pump	1
6	1059677	(000000– )	Strip, Rbr, 0.06 03.54w 03.5l [Neo/60]	1
7	09744	(000000– )	Screw, Hex, M6 X 1.00 X 12, Ss	6
8	01684	(000000– )	Washer, Flat, 0.27b 0.69d .05, Ss	6
9	9007882	(000000– )	Module Kit, Replmt [Ec–H2O] (See Breakdowns)	1
10	1040467	(000000– )	Screw, Hex, M6 X 1.00 X 20, 9.8, Sems	4
11	1060292	(000000– )	Plate Wldt, Mtg	1
12	09740	(000000– )	Screw, Hex, M8 X 1.25 X 20, Ss	2
13	1017218	(000000– )	Washer, Flat, 0.32b 1.00d .12, Ss	2
14	1060185	(000000– )	Cover Wldt, Power Supply	1
15	01684	(000000–xxxxxx )	Washer, Flat, 0.27b 0.69d .05, Ss	4
16	07805	(000000–xxxxxx )	Screw, Hex, M6 X 1.00 X 35, Ss	4
17	1060291	(000000– )	Plate, Inspection	1
18	1020168	(000000– )	Molding, Afmkt, Trim, Pvc, .08 .11, 01Ft	1
19	10632–4	(000000– )	Grommet, Rbr, 0.62id, F/0.9h, .06 Matl	1
20	1060719	(000000– )	Cover, Trimmed	1
21	1058963	(000000– )	Converter, Ele, 12–36 Vdc	1
22	09206	(000000– )	Screw, Hex, M4 X 0.70 X 12, 8.8	4
23	19065	(000000– )	Washer, Flat, 08	4
24	1052726	(000000– )	Alarm, 9–48vdc, 95 Db(A) [Ec–H2O]	1
25	1053078	(000000–003658 )	Circuitbreaker, 2.0a, Resetable	1
26	1046173	(000000–003658 )	Boot, Circuitbreaker	1
27	1044393	(000000– )	Switch, Rocker, Spst, Mom	1
28	56186	(000000– )	Relay, 12vdc, 040a, Spdt No	2
29	09738	(000000– )	Screw, Hex, M5 X 0.80 X 12, Ss	2
30	01683	(000000– )	Washer, Flat, 10, Ss	2
31	1062804	(xxxxxx– )	Bolt, Carriage, M06 X 1.00 X 40, 4.6	4
32	41359	(xxxxxx– )	Nut, Hex, Std, M6 X 1.00, 8	4
33	32982	(xxxxxx– )	Washer, Lock, Int, 0.25	4
34	32483	(xxxxxx– )	Washer, Flat, 0.25, Sae	4
35	1029057	(000000– )	Clip, Grip, Finger, 0.88–1.25d	3
36	12323	(000000– )	Screw, Pan, Phl, M4 X 0.70 X 20, Ss	3
37	33932	(000000– )	Nut, Hex, Lock, M4 X 0.70, NI, Ss	3
38	1064183	(003659– )	Circuitbreaker, 02.0a, Resetable	1
39	1064191	(003659– )	Boot, Circuitbreaker	1

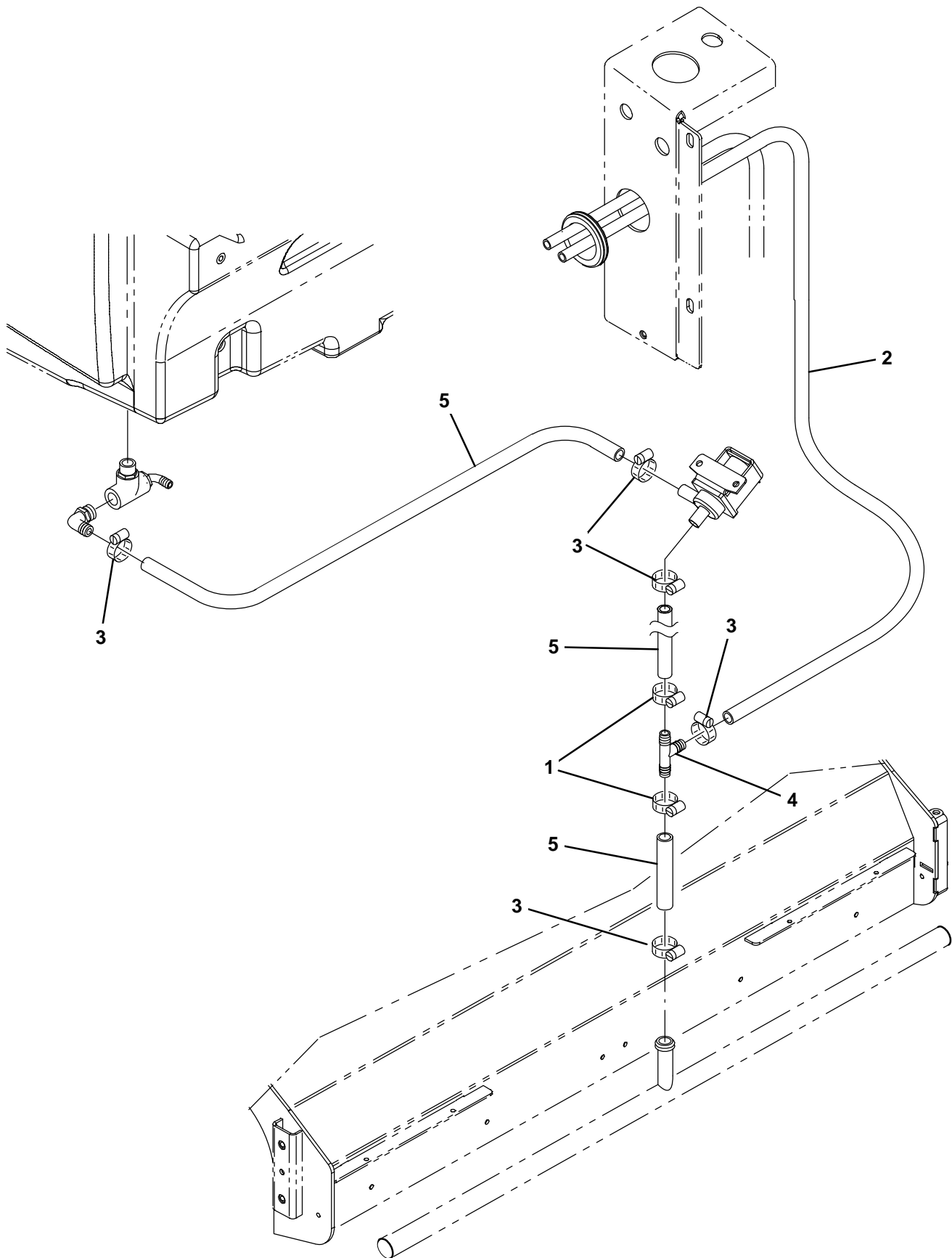
Fig. 19 – ec-H2O Solution Pump Supply Group



**Fig. 19 – ec–H2O Solution Pump Supply Group**

<b>Ref.</b>	<b>Part No.</b>	<b>Serial Number</b>	<b>Description</b>	<b>Qty.</b>
1	24544	(000000–	) Fitting, Plstc, Str, Pm12/Pm12 1.60l	1
2	42133A	(000000–	) Fitting, Plstc, Tee, Pf12/Pf12/Pf12	1
3	1005552	(000000–	) Fitting, Plstc, E90, Bm08/Pm12, Nyl	1
4	54333	(000000–	) Clamp, Hose, Wormdrive, 0.31–0.88d, .31w	1
5	1011521	(000000–	) Hose, Afmkt, Pvc, Brd, 0.50id, 02ft, Clr	2
6	64778	(000000–	) Fitting, Plstc, E90, Bm08/Pm06	2
7	1005302	(000000–	) Filter, In–Line, Pf06/Pf06 080mesh 02.6l	1
8	1011403	(000000–	) Hose, Afmkt, Pvc, Brd, 0.50id, 01ft, Clr	3
9	1017415	(000000–	) Insert, Cplg, Qm, Bm08	1
10	1017413	(000000–	) Housing, Cplg, Qf / Pm08	1
11	63987–1	(000000–	) Fitting, Plstc, E90, Bm08/Bm08	1
12	1049254	(000000–	) Fitting, Nyl, Qdc, E90, Bm08/ Qm10	1
13	1059372	(000000–	) Fitting, Plstc, Str, Pf06/Qm10, Pvc	1
14	1005219	(000000–	) Fitting, Plstc, Str, Pm04/Pm06, Nyl	1
15	1060596	(000000–	) Manifold, Water	1
16	24698	(000000–	) Fitting, Brs, Str, Pf02/Pm06	1
17	1017386	(000000–	) Valve, Vent, Air, Float Type	1
18	1058935	(000000–	) Switch, Press, 50 Psi, Pm02	1
19	1060693	(000000–	) Valve, Check, 0005psi Pm04/Bm06	1
20	43844	(000000–	) Clamp, Hose, Wormdrive, 0.25–0.62d, .31w	1
21	1059391	(000000–	) Fitting, Plstc, E90, Bm05/Bm05, Nyl	1
22	1052336	(000000–	) Hose, Afmkt, PVC, Brd, 0.31ld, 03Ft, Clr	2
23	1052017	(000000–	) Fitting, Plstc, Str, Bm05/Pm04	1
24	1043866	(000000–	) Fitting Assy, Qdc, Pf04	2
25	65581	(000000–	) Fitting, Plstc, E90, Bm08/Pm04	1
26	48790	(000000–	) Pouch	1
27	72968	(000000–	) Rivet, Plstc, .250d X 0.90	2
28	1017415	(000000–	) Insert, Cplg, Qm, Bm08	1
29	630164	(000000–	) Fitting, Plstc, Str, Bm04/Bm08	1
30	1006415	(000000–	) Hose, Afmkt, Pvc, Clr, 0.25id, 03ft	2
31	50901	(000000–	) Fitting, Plstc, Str, Bm04/Pm04	1
32	14877	(000000–	) Fitting, Plstc, E90, Bm12/Pm12	1
33	49266	(000000–	) Tie, Cable, Nyl, 07.3l .19w 1.8 Max D	1
34	1062403	(000000–	) Fitting, Brs, Snubber, Pm02/Pf02	1

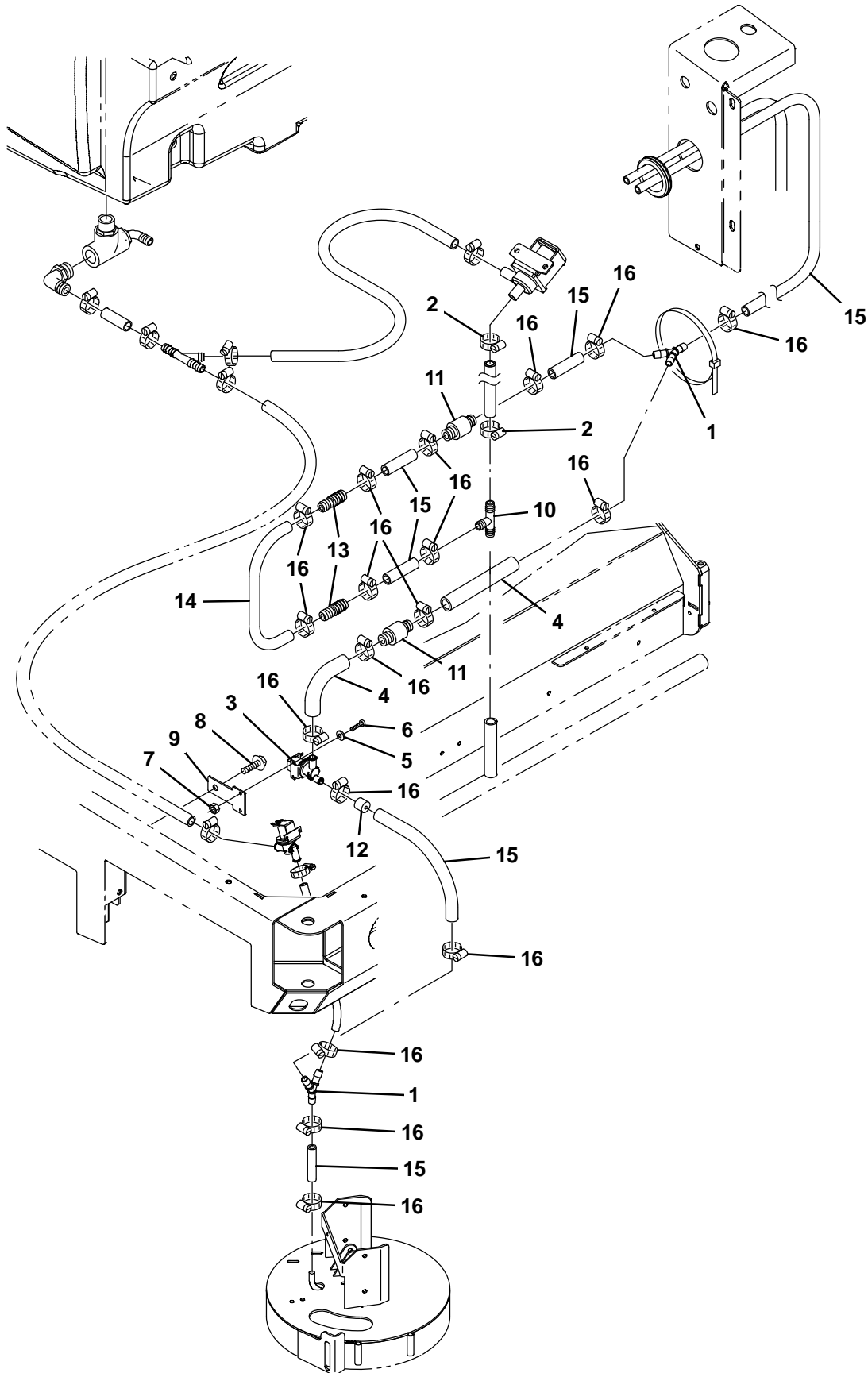
Fig. 20 – ec-H2O Solution Supply Group



**Fig. 20 – ec-H2O Solution Supply Group**

<b>Ref.</b>	<b>Part No.</b>	<b>Serial Number</b>	<b>Description</b>	<b>Qty.</b>
1	63810	(000000–	) Clamp, Hose, Wormdrive, 0.56–1.06d, .56w	2
2	1011837	(000000–	) Hose, Afmkt, Pvc, Brd, 0.50id, 12ft, Clr	1
3	54333	(000000–	) Clamp, Hose, Wormdrive, 0.31–0.88d, .31w	2
4	385644	(000000–	) Fitting, Plstc, Tee, Bm08/Bm12/Bm12, Br	1
5	1015045	(000000–	) Hose, Afmkt, Pvc, Brd, 0.75id, 08ft, Clr	1

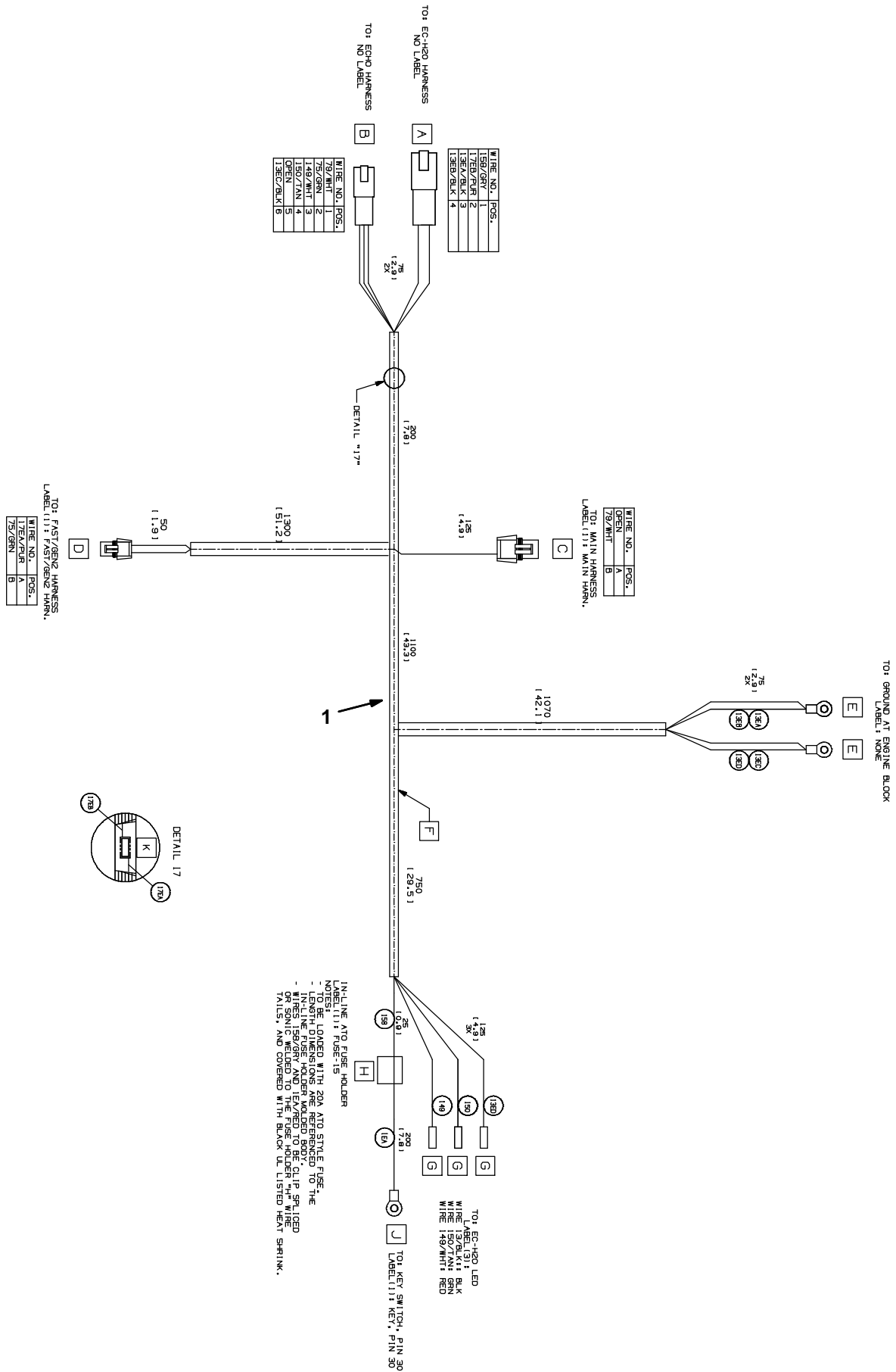
Fig. 21 – ec-H2O Solution Supply Group with Side Brush



**Fig. 21 – ec–H2O Solution Supply Group with Side Brush**

<b>Ref.</b>	<b>Part No.</b>	<b>Serial Number</b>	<b>Description</b>	<b>Qty.</b>
1	1010668	(000000–	) Fitting, Plstc, Y, Bm08/Bm08/Bm08, Nyl	1
2	63810	(000000–	) Clamp, Hose, Wormdrive, 0.56–1.06d, .56w	2
3	1037825	(000000–	) Valve Assy, Water, Solenoid, 12vdc	1
4	31543	(000000–	) Hose, Heater, E90, 0.62id, 24.0 4.0	1
5	01683	(000000–	) Washer, Flat, 10, Ss	2
6	24196	(000000–	) Screw, Pan, Phl, M5 X 0.80 X 20, Ss	2
7	09739	(000000–	) Nut, Hex, Lock, M5 X 0.80, NI, Ss	2
8	76099	(000000–	) Screw, Hex, M8 X 1.25 X 25, Fmg	1
9	1030511	(000000–	) Plate, Mtg, Valve	1
10	385644	(000000–	) Fitting, Plstc, Tee, Bm08/Bm12/Bm12, Br	1
11	1010614	(000000–	) Valve, Check, 2gpm .5psi Bm08/Bm08	2
12	1061045	(000000–	) Plug, Restrictor	1
13	222375	(000000–	) Fitting, Plstc, Str, Bm06/Bm08	2
14	1014974	(000000–	) Hose, Afmkt, Pvc, Brd, 0.38id, 02ft, Clr	1
15	1011412	(000000–	) Hose, Afmkt, Pvc, Brd, 0.50id, 08ft, Clr	1
16	54333	(000000–	) Clamp, Hose, Wormdrive, 0.31–0.88d, .31w	18

Fig. 22 – ec-H20 Wire Harness Group

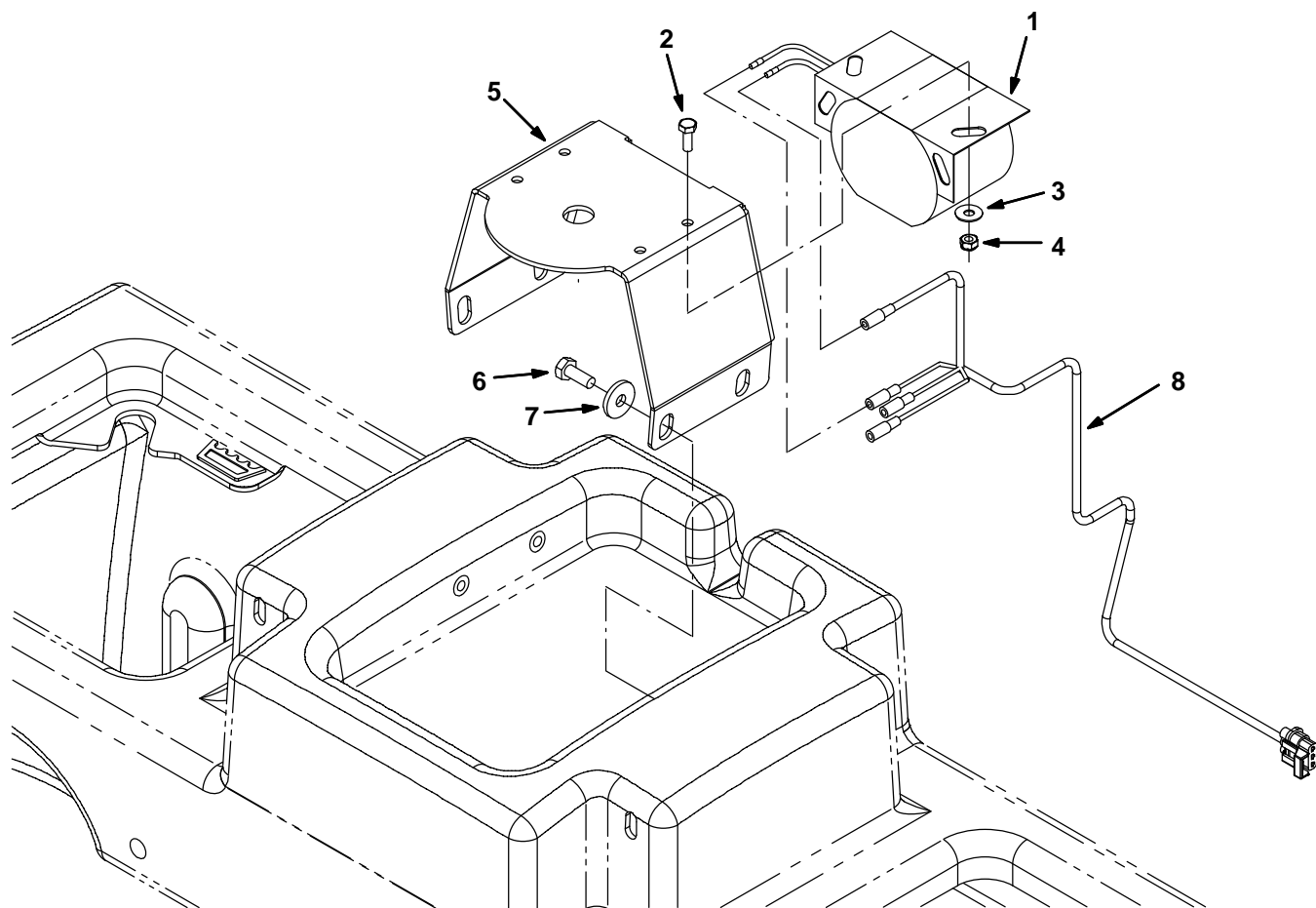




**Fig. 22 – ec–H20 Wire Harnesses Group**

<b>Ref.</b>	<b>Part No.</b>	<b>Serial Number</b>	<b>Description</b>	<b>Qty.</b>
1	1071947	(000000–	) Harness, Wire [Ec–H2o, Mako, 2.0l & Dsl]	1
2	1060871	(000000–	) Harness, Wire [Ec–H2o]	1
3	1060880	(000000–	) Resistor, Ele, Plug [430 , 2w]	1
4	1060881	(000000–	) Capacitor, Plug [4700uf, 25v]	1

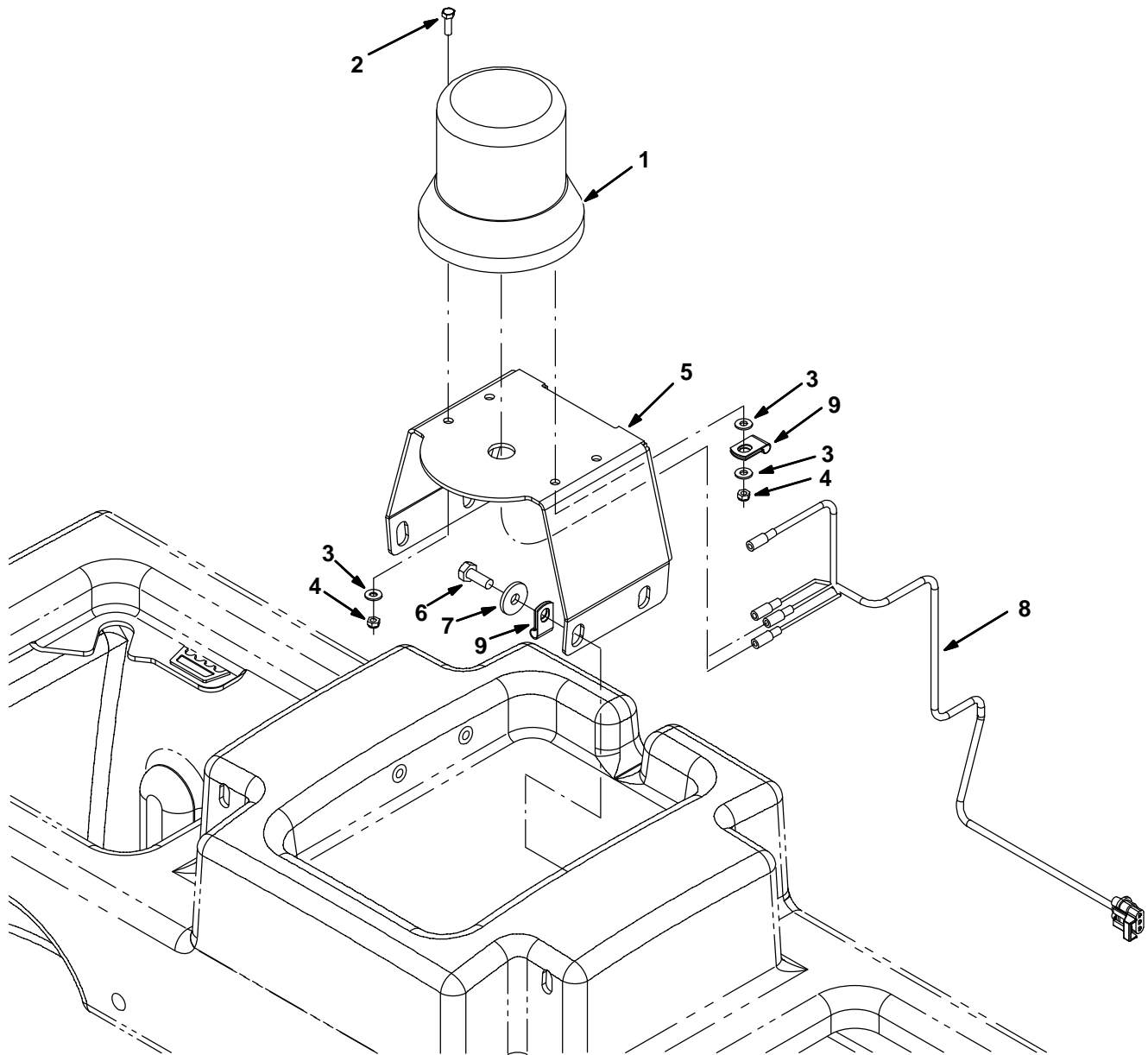
Fig. 23 – Backup Alarm Kit



354473

Ref.	Part No.	Serial Number	Description	Qty.
▽	9001321	(000000–	) Alarm Kit, Backup, Ci [M20 And T20]	1
▲	1 9007131	(000000–	) Alarm Assy, Backup, 12/48Vdc	1
▲	2 24196	(000000–	) Screw, Pan, Phi, M5 X 0.80 X 20, Ss	2
▲	3 19066	(000000–	) Washer, Flat, 10	2
▲	4 09739	(000000–	) Nut, Hex, Lock, M5 X 0.80, NI, Ss	2
▲	5 1019445	(000000–	) Bracket, Sppt, Strobe Light	1
▲	6 09740	(000000–	) Screw, Hex, M8 X 1.25 X 20, Ss	4
▲	7 1017218	(000000–	) Washer, Flat, 0.32b 1.00d .12, Ss	4
▲	8 1019971	(000000–	) Harness, Warning / Backup [M20 & T20]	1

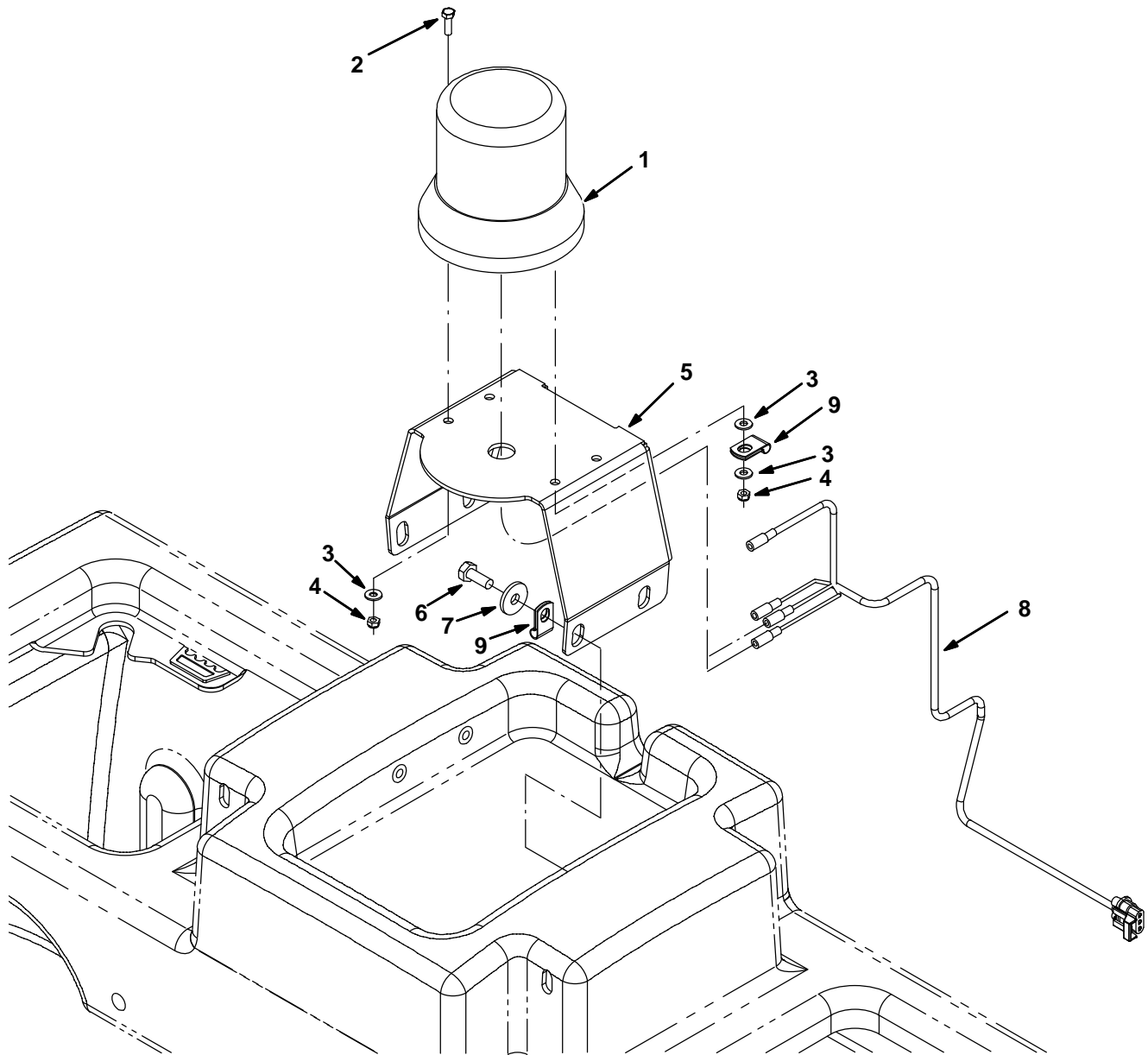
Fig. 24 – Light Kit, Flashing



**Fig. 24 – Light Kit, Flashing**

	<b>Ref.</b>	<b>Part No.</b>	<b>Serial Number</b>	<b>Description</b>	<b>Qty.</b>
▽		9001327	(000000–	) Light Kit, Flsh, Ci [M20 And T20]	1
▲▽	1	1017248	(000000–	) Lamp, Flasher, Amb [12–48 Vdc]	1
▲▲		9000879	(000000–	) Lens, Lamp, Amb, Strobe/Flasher	1
▲▲		9000846	(000000–	) Lamp, Bulb, Flsh	1
▲▲		1027800	(000000–	) Lens, Blue, Option, F/ Strobe / Flsh Light	1
▲▲		1027798	(000000–	) Lens, Red, Option, F/ Strobe / Flsh Light	1
▲		55272	(000000–	) Terminal, Bullet, Mal, .157d, 12ga	2
▲	2	24196	(000000–	) Screw, Pan, Phl, M5 X 0.80 X 20, Ss	2
▲	3	19066	(000000–	) Washer, Flat, 10	2
▲	4	09739	(000000–	) Nut, Hex, Lock, M5 X 0.80, NI, Ss	2
▲	5	1019445	(000000–	) Bracket, Sppt, Strobe Light	1
▲	6	09740	(000000–	) Screw, Hex, M8 X 1.25 X 20, Ss	4
▲	7	1017218	(000000–	) Washer, Flat, 0.32b 1.00d .12, Ss	4
▲	8	1019971	(000000–	) Harness, Warning / Backup [M20 & T20]	1
▲	9	46236	(000000–	) Clamp, Cable, Stl, 0.25D X 0.56W, 1Hole	2

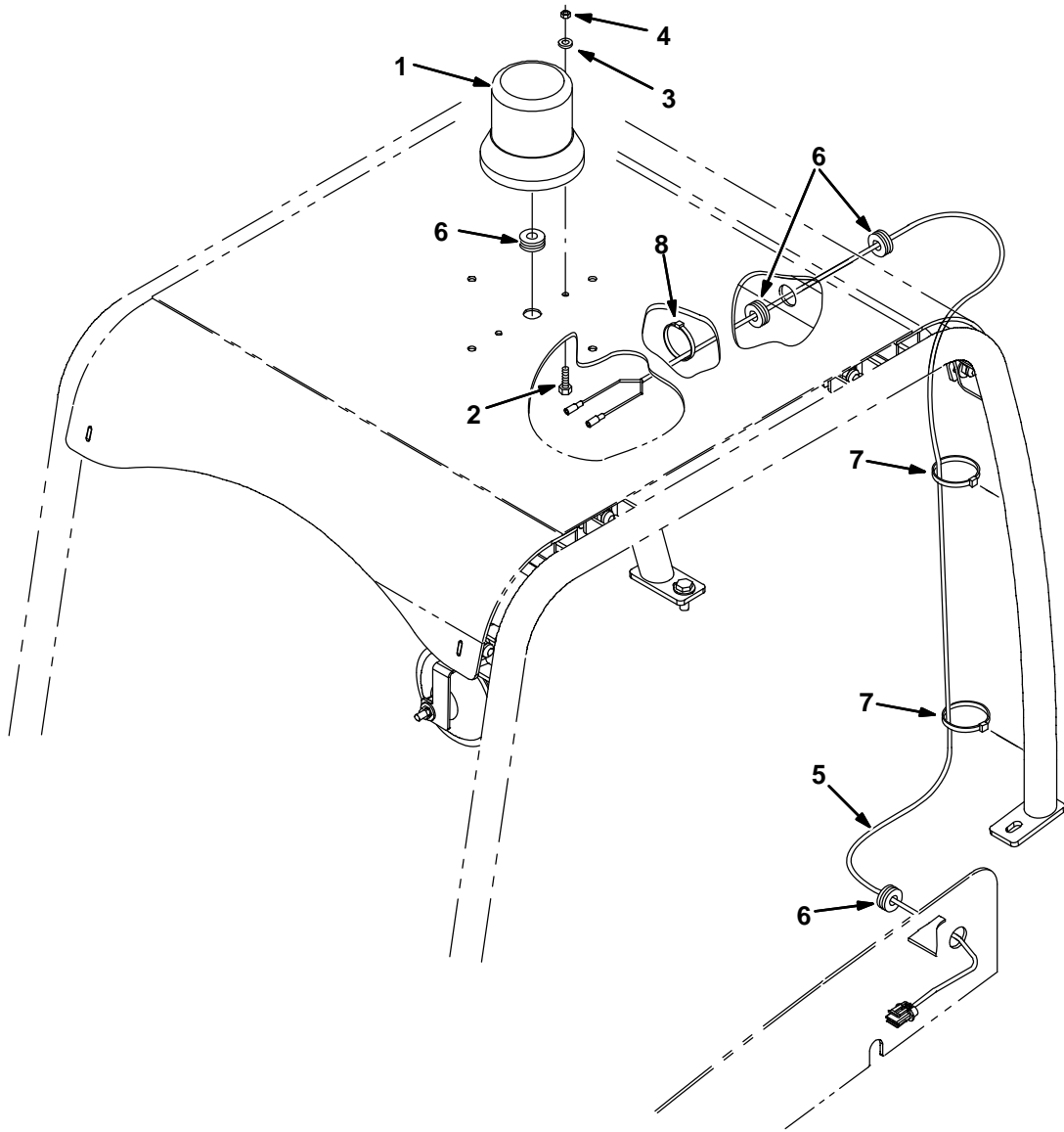
Fig. 25 – Light Kit, Strobe



**Fig. 25 – Light Kit, Strobe**

	<b>Ref.</b>	<b>Part No.</b>	<b>Serial Number</b>	<b>Description</b>	<b>Qty.</b>
▽		9001331	(000000–	) Light Kit, Strobe, Ci [M20 And T20]	1
▲▽	1	1017250	(000000–	) Lamp Strobe, Amb [12–48 Vdc]	1
▲▲		9000879	(000000–	) Lens, Lamp, Amb, Strobe/Flasher	1
▲▲		9000845	(000000–	) Lamp, Bulb, Strobe	1
▲▲		1027800	(000000–	) Lens, Blue, Option, F/ Strobe / Flsh Light	1
▲▲		1027798	(000000–	) Lens, Red, Option, F/ Strobe / Flsh Light	1
▲		55272	(000000–	) Terminal, Bullet, Mal, .157d, 12ga	2
▲	2	24196	(000000–	) Screw, Pan, Phl, M5 X 0.80 X 20, Ss	2
▲	3	19066	(000000–	) Washer, Flat, 10	2
▲	4	09739	(000000–	) Nut, Hex, Lock, M5 X 0.80, NI, Ss	2
▲	5	1019445	(000000–	) Bracket, Sppt, Strobel Light	1
▲	6	09740	(000000–	) Screw, Hex, M8 X 1.25 X 20, Ss	4
▲	7	1017218	(000000–	) Washer, Flat, 0.32b 1.00d .12, Ss	4
▲	8	1019971	(000000–	) Harness, Warning / Backup [M20 & T20]	1
▲	9	46236	(000000–	) Clamp, Cable, Stl, 0.25D X 0.56W, 1Hole	2

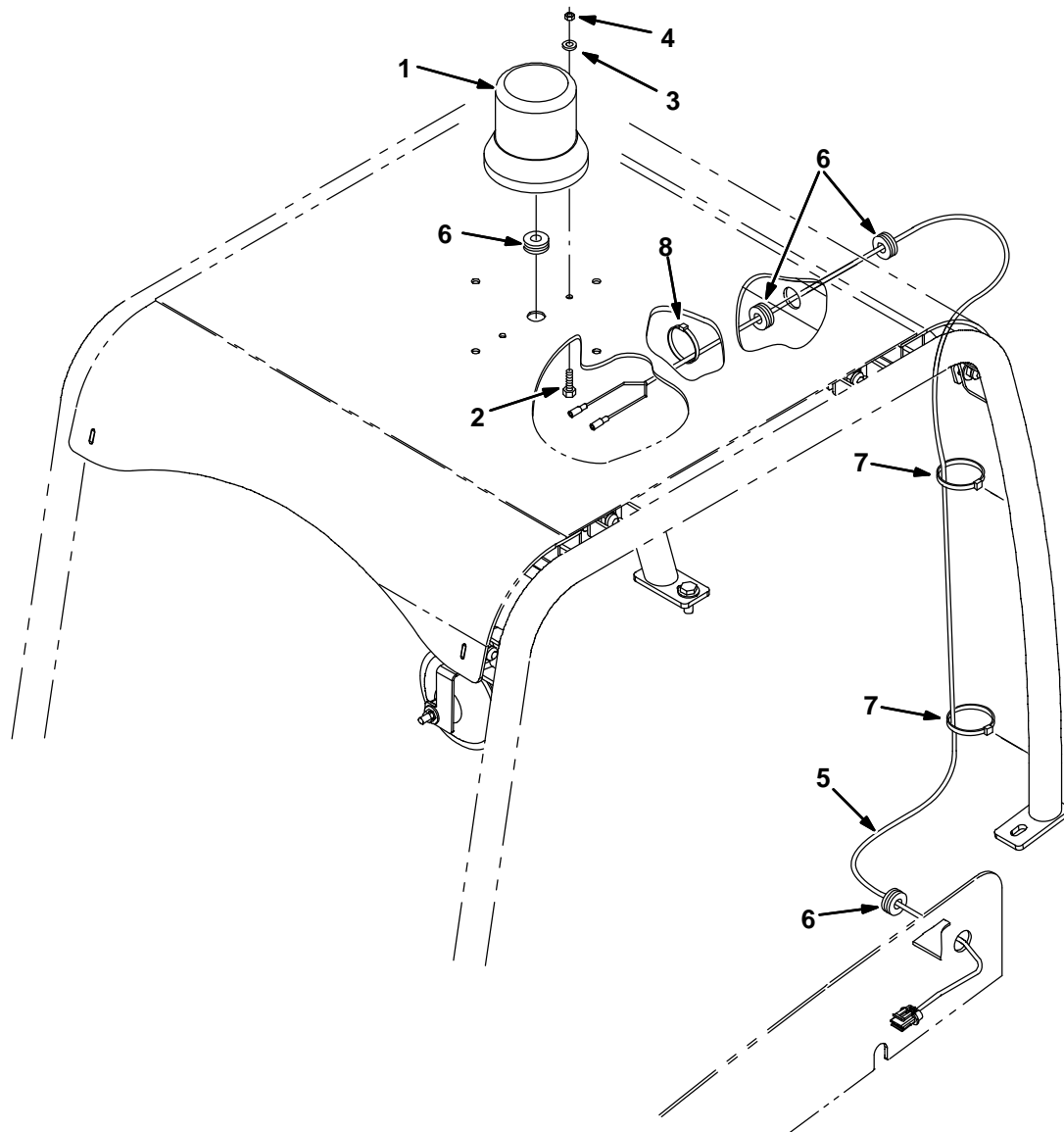
**Fig. 26 – Light Kit, Flashing Overhead Guard**



354477

Ref.	Part No.	Serial Number	Description	Qty.
▽	9001718	(000000–	) Light Kit, Flsh, W/Ohg, Ci[M20 And T20]	1
▲▽	1 1017248	(000000–	) Lamp, Flasher, Amb [12–48 Vdc]	1
▲▲	9000879	(000000–	) Lens, Lamp, Amb, Strobe/Flasher	1
▲▲	9000846	(000000–	) Lamp, Bulb, Flsh	1
▲▲	1027800	(000000–	) Lens, Blue, Option, F/ Strobe / Flsh Light	1
▲▲	1027798	(000000–	) Lens, Red, Option, F/ Strobe / Flsh Light	1
▲	55272	(000000–	) Terminal, Bullet, Mal, .157d, 12ga	2
▲	2 24196	(000000–	) Screw, Pan, Phl, M5 X 0.80 X 20, Ss	2
▲	3 19066	(000000–	) Washer, Flat, 10	2
▲	4 09739	(000000–	) Nut, Hex, Lock, M5 X 0.80, NI, Ss	2
▲	5 1019647	(000000–	) Harness, Warning / Ohg [M20]	1
▲	6 10632–17	(000000–	) Grommet, Rbr, 0.50id, F/0.8h, .12 Matl	4
▲	7 763115	(000000–	) Tie, Cable, 6.0l, 1.25d Max	4
▲	8 49266	(000000–	) Tie, Cable, Nyl, 07.3l .19w 1.8 Max D	2

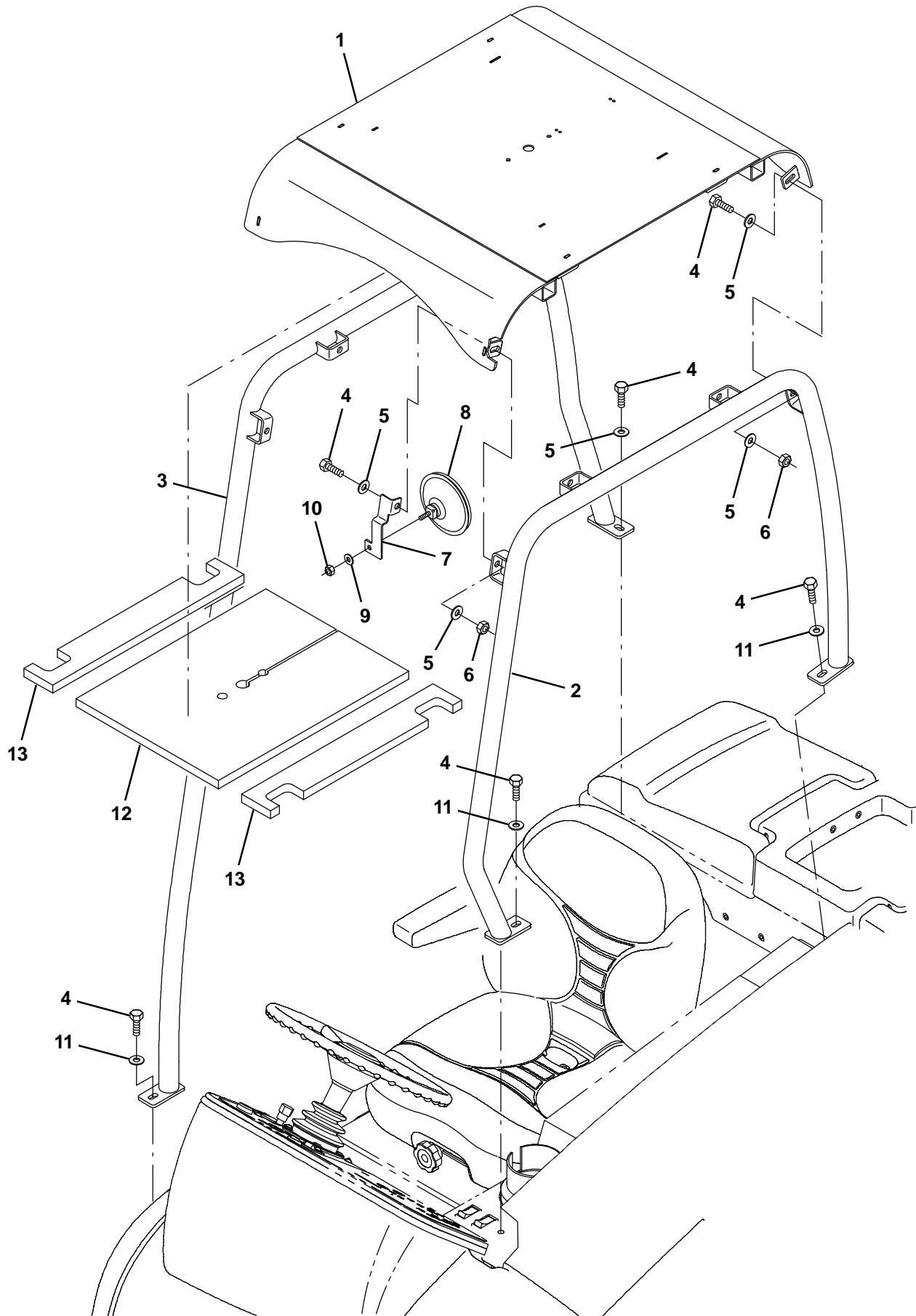
Fig. 27 – Light Kit, Strobe Overhead Guard



354477

Ref.	Part No.	Serial Number	Description	Qty.
▽	9001717	(000000–	) Light Kit, Strobe, W/Ohg, Ci [M20 And T20]	1
▲▽	1 1017250	(000000–	) Lamp Strobe, Amb [12–48 Vdc]	1
▲▲	9000879	(000000–	) Lens, Lamp, Amb, Strobe/Flasher	1
▲▲	9000845	(000000–	) Lamp, Bulb, Strobe	1
▲▲	1027800	(000000–	) Lens, Blue, Option, F/ Strobe / Flsh Light	1
▲▲	1027798	(000000–	) Lens, Red, Option, F/ Strobe / Flsh Light	1
▲	55272	(000000–	) Terminal, Bullet, Mal, .157d, 12ga	2
▲	2 24196	(000000–	) Screw, Pan, Phl, M5 X 0.80 X 20, Ss	2
▲	3 19066	(000000–	) Washer, Flat, 10	2
▲	4 09739	(000000–	) Nut, Hex, Lock, M5 X 0.80, NI, Ss	2
▲	5 1019647	(000000–	) Harness, Warning / Ohg [M20]	1
▲	6 10632–17	(000000–	) Grommet, Rbr, 0.50id, F/0.8h, .12 Matl	4
▲	7 763115	(000000–	) Tie, Cable, 6.0l, 1.25d Max	4
▲	8 49266	(000000–	) Tie, Cable, Nyl, 07.3l .19w 1.8 Max D	2

Fig. 28 – Overhead Guard Kit



**Fig. 28 – Overhead Guard Kit**

	<b>Ref.</b>	<b>Part No.</b>	<b>Serial Number</b>	<b>Description</b>	<b>Qty.</b>
▽		9001314	(000000–	) Ohg Kit, Ci [M20 And T20]	1
▲	1	1022276	(000000–	) Guard Wldt, Top, Ohg	1
▲	2	1069241	(000000–	) Tube Wldt, Leg, Ohg, Lh, Pntd	1
▲	3	1069253	(000000–	) Tube Wldt, Leg, Ohg, Rh, Pntd	1
▲	4	03192	(000000–	) Screw, Hex, M10 X 1.5 X 30, 8.8	12
▲	5	32492	(000000–	) Washer, Flat, 0.38 Std	17
▲	6	41430	(000000–	) Nut, Hex, Lock, M10 X 1.5, NI	8
▲	7	1023879	(000000–	) Bracket, Mtg, Mirror, Rearview	1
▲	8	1050295	(000000–	) Mirror, Convex, 0.50D	1
▲	9	32491	(000000–	) Washer, Flat, 0.31, Std	1
▲	10	19313	(000000–	) Nut, Hex, Std, .31–18	1
▲	11	1014563	(000000–	) Washer, Flat, 0.40b 1.12d .12, Ss	3
▲	12	1032830	(000000–	) Insulation	1
▲	13	1032831	(000000–	) Insulation	2

Fig. 29 – Telemetry Group

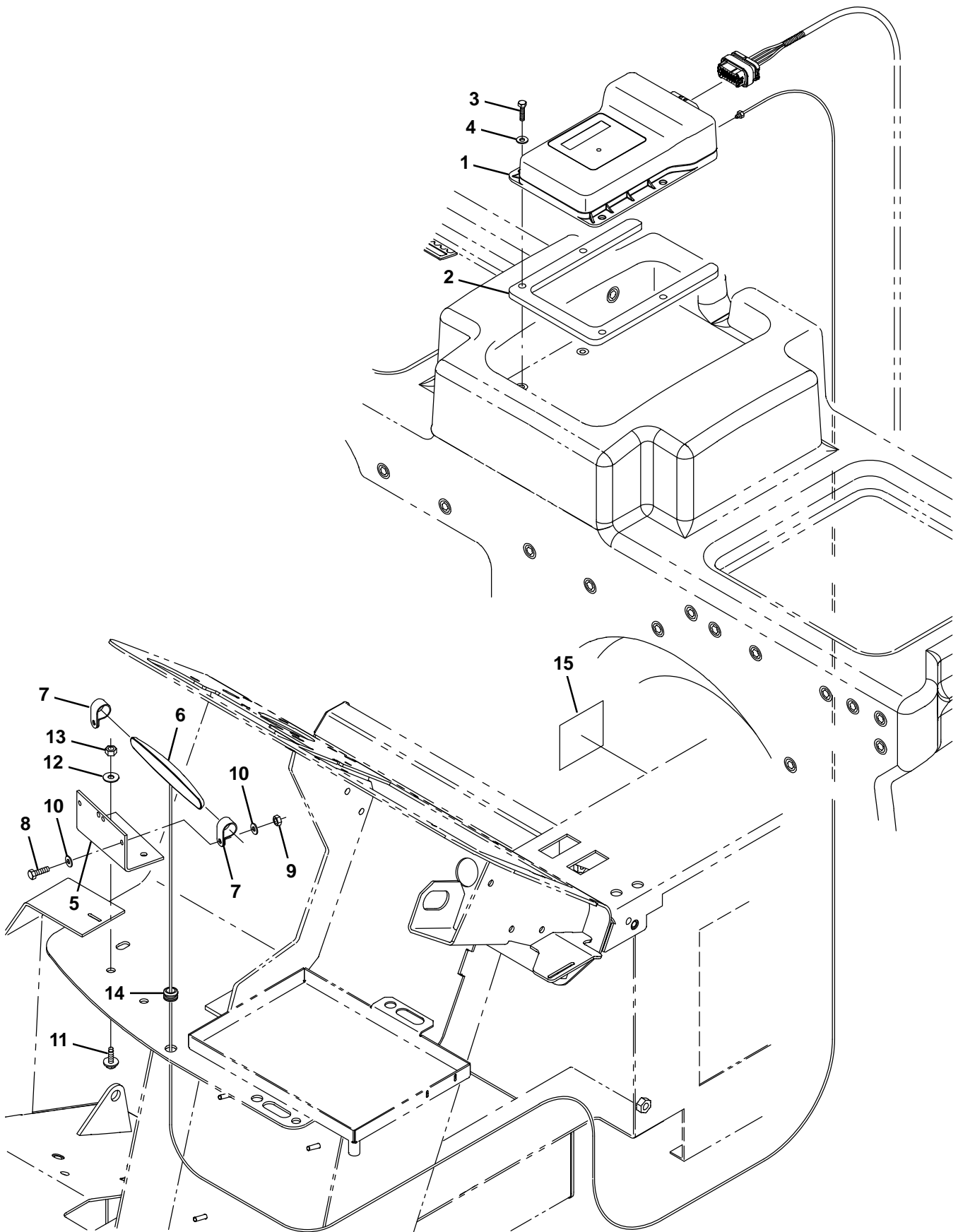
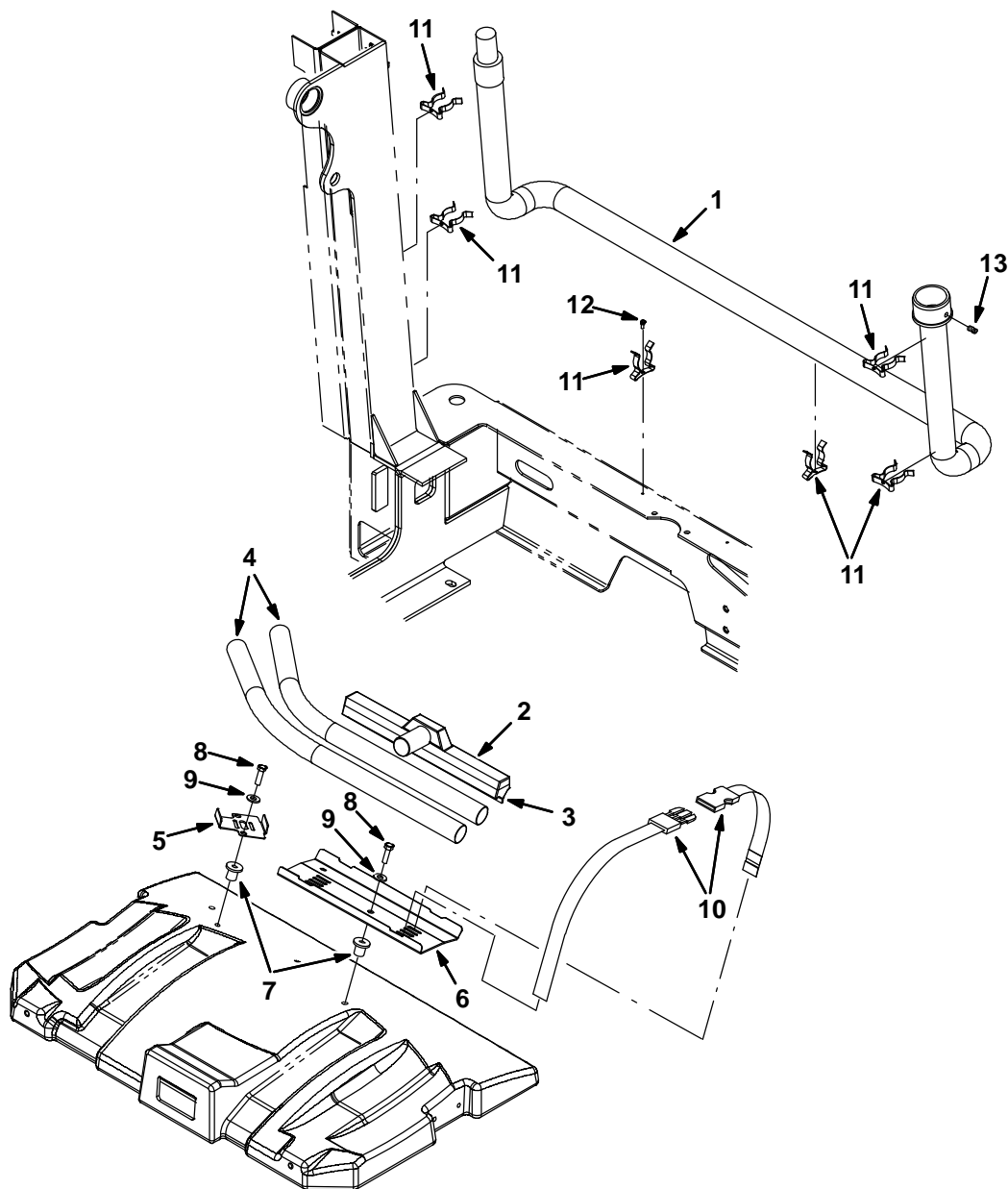


Fig. 29 – Telemetry Group

Ref.	Part No.	Serial Number	Description	Qty.
1	9010085	(000000–	) Control Box Assy Kit, Replmt, Telem [USA]	1
1	9010086	(000000–	) Control Box Assy Kit, Replmt, Telem [CAN]	1
2	1071062	(000000–	) Bracket, Spacer, Controlbox	1
3	09252	(000000–	) Screw,Hex, M5 X 0.80 X 29, 8.8	4
4	01683	(000000–	) Washer, Flat, 10, Ss	4
5	1070402	(000000–	) Angle, mtg, Antenna, Telem	1
6	1070659	(000000–	) Antenna, Telem, 70 In [Gprs]	1
7	140916	(000000–	) Clamp, Cable, Nyl, 0.62D, Nat	2
8	24199	(000000–	) Screw, Hex, M5 X 0.80 X 16, Ss	2
9	06549	(000000–	) Nut, Hex, Lock, M5 X 0.80, NI	2
10	01683	(000000–	) Washer, Flat, 10, Ss	4
11	1040467	(000000–	) Screw, hex, H6 X 1.00 X 20, 9.8, Sems	2
12	01684	(000000–	) Washer, Flat, 0.27B 0.69D .05, Ss	2
13	08712	(000000–	) Nut, hex, Lock, M6 X 1.00, NI, Ss	2
14	10632–12	(000000–	) Grommet, Rbr, 0.38id, F/0.5H, .12 Matl	1
15	1069580	(000000–	) Label, Opertnl, Telem [Fcc/lc]	1



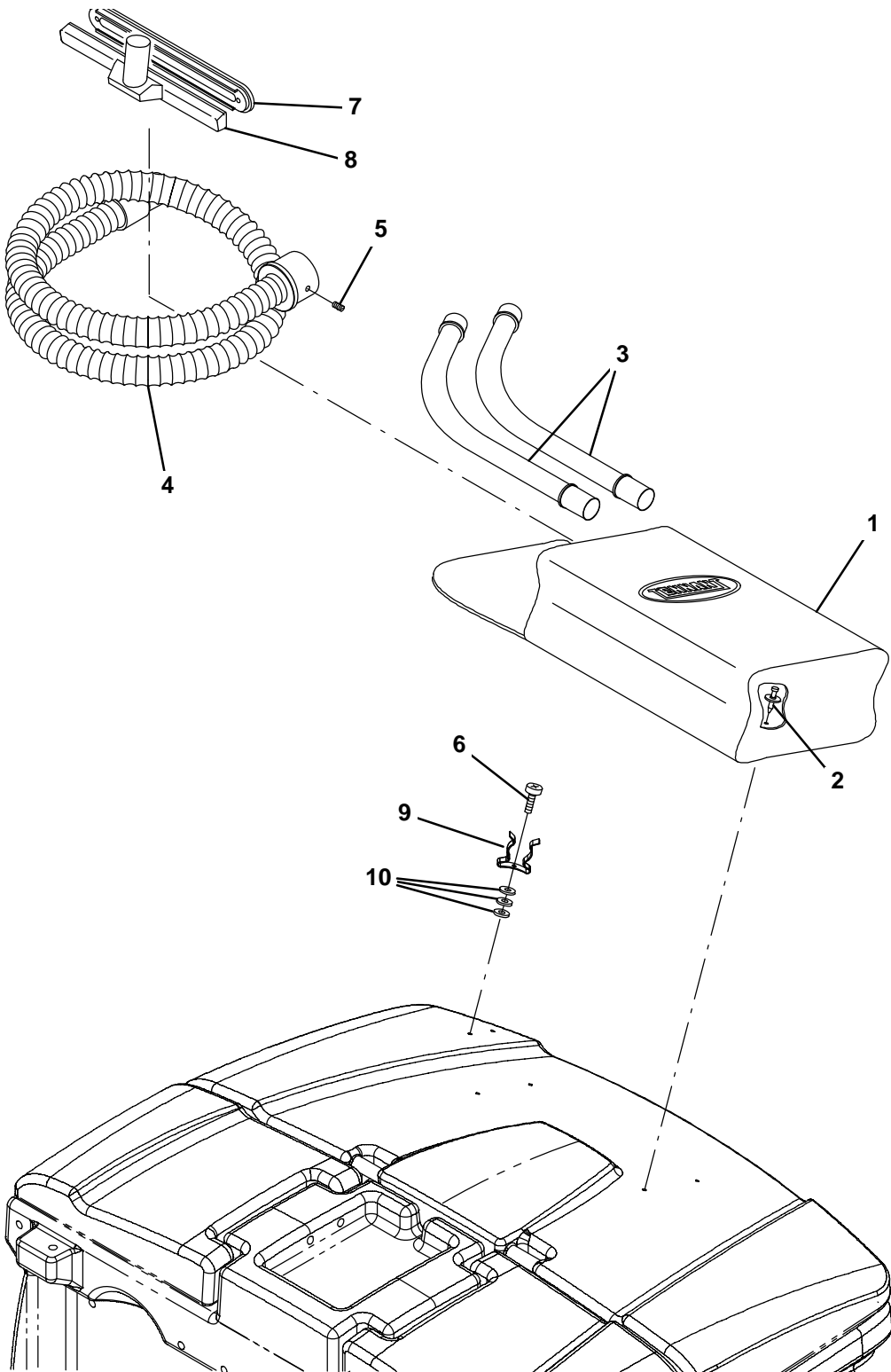
Fig. 31 – Vacuum Wand Kit (000000–002406)



354479

Ref.	Part No.	Serial Number	Description	Qty.
▽	9001334	(000000–002406 )	Wand Kit, Vacuum, Ci [M20]	1
▲	1	69657	(000000–002406 ) Hose Assy, W/2cuff, 1.5d 84l [Vacwand]	1
▲	2	63451	(000000–002406 ) Nozzle, Wand, Plstc, 14.0lg	1
▲	3	63430	(000000–002406 ) Shoe, Plstc, Sqge, 14.0	1
▲	4	63448	(000000–002406 ) Tube, Wand, Vacuum, Metal [1pick=1box]	1
▲	5	1030549	(000000–002406 ) Bracket, Mtg, Vacuum Wand	1
▲	6	1026146	(000000–002406 ) Plate, Mtg, Vacuum Wand	1
▲	7	397648	(000000–002406 ) Nut, Isolator, .38–16 Wall Th .015–.437	4
▲	8	21198	(000000–002406 ) Screw, Hex, .38–16 X 1.25, 5	4
▲	9	32492	(000000–002406 ) Washer, Flat, 0.38 Std	4
▲	10	367974	(000000–002406 ) Strap, Pyp, 0.07 1.0w 18.5l, W/ Buckle	3
▲	11	67004	(000000–002406 ) Clip, Grip, Finger, 1.00–1.88d White,Vyl	6
▲	12	55845	(000000–002406 ) Screw, Hex, M5 X 0.8 X 16, Fmg	6
▲	13	69659	(000000–002406 ) Plunger	1

Fig. 32 – Vacuum Wand Kit (002407– )



**Fig. 32 – Vacuum Wand Kit (002407– )**

	<b>Ref.</b>	<b>Part No.</b>	<b>Serial Number</b>	<b>Description</b>	<b>Qty.</b>
▽		9001334	(002407– )	Wand Kit, Vacuum, Ci [M20]	1
▲	1	65580	(002407– )	Bag, Power	1
▲	2	72968	(002407– )	Rivet, Plstc, .250d X 0.90	4
▲	3	63448	(002407– )	Tube, Wand, Vacuum, Metal	1
▲	4	69657	(002407– )	Hose Assy, W/2cuff, 1.5d 084l [Vacwand]	1
▲	5	69659	(002407– )	Plunger	1
▲	6	55845	(002407– )	Screw, Hex, M5 X 0.80 X 16, Fmg	2
▲	7	63430	(002407– )	Shoe, Plstc, Sqge, 14.0	1
▲	8	63451	(002407– )	Nozzle, Wand, Plstc, 14.0l	1
▲	9	67004	(002407– )	Clip, Grip, Finger, 1.00–1.88d White,Vyl	2
▲	10	19064	(002407– )	Washer, Flat, 06	6

Fig. 33 – Spray Nozzle Kit

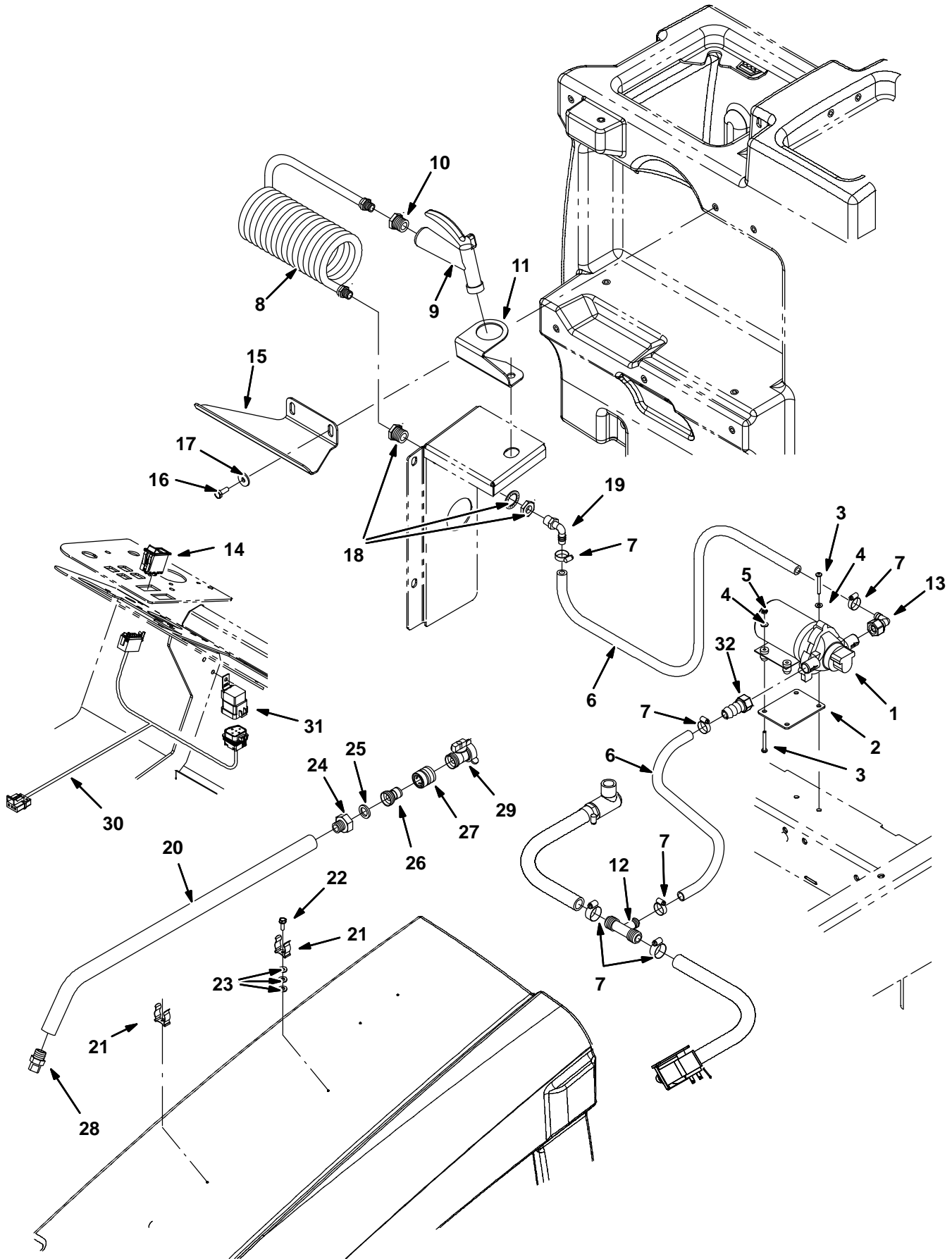
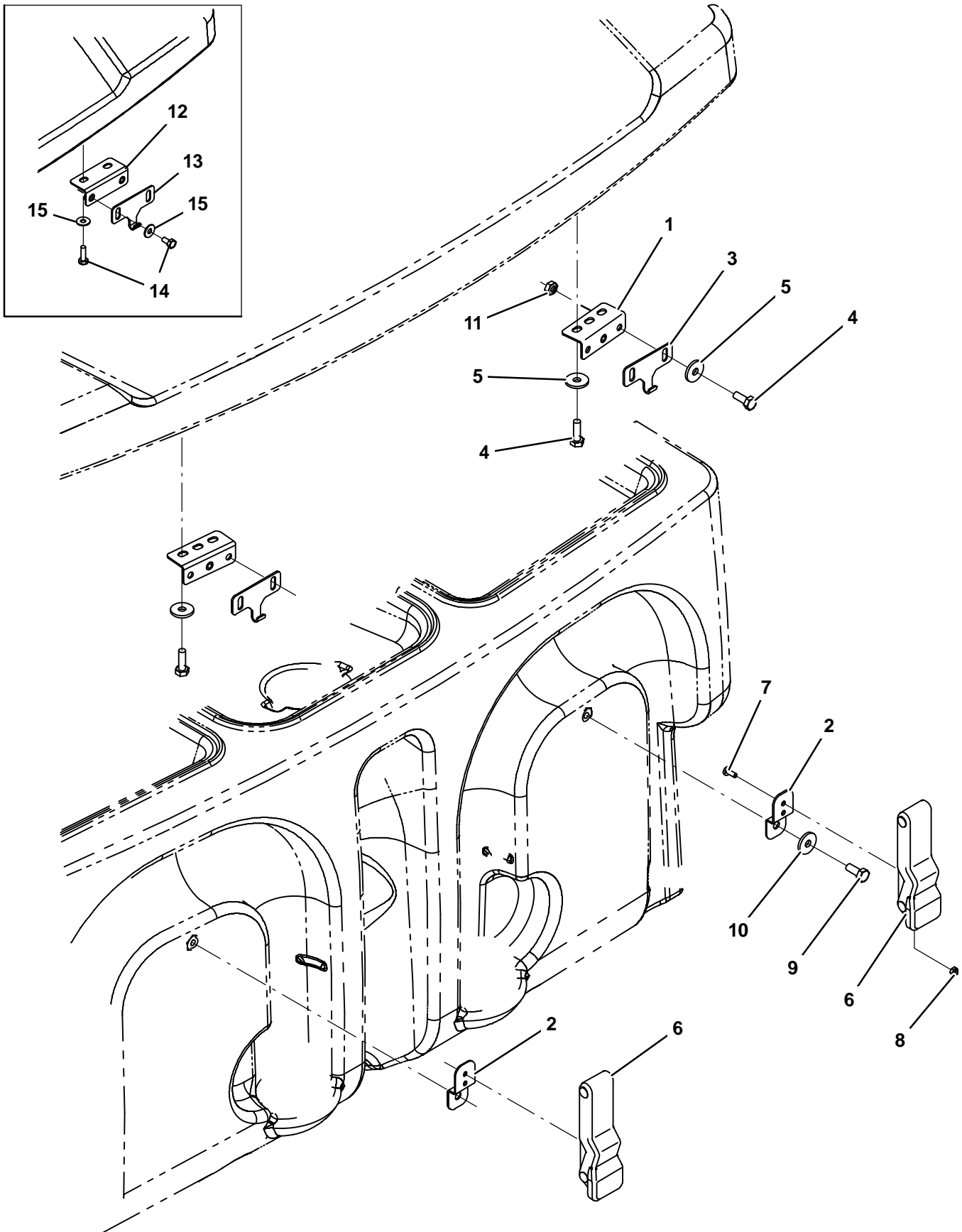


Fig. 33 – Spray Nozzle Kit

Ref.	Part No.	Serial Number	Description	Qty.
▽	9001310	(000000–	) Nozzle Kit, Spray, Ci	1
▲	1 1026743	(000000–	) Pump, Diaphragm (See Breakdowns)	1
▲	2 1027007	(000000–	) Plate, Mtg, Pump	1
▲	3 06939	(000000–	) Screw, Pan, M5 X 0.80 X 45, 4.8	4
▲	4 19066	(000000–	) Washer, Flat, #10	4
▲	5 06549	(000000–	) Nut, Hex, Lock, M5 X 0.80, NI	2
▲	6 1015045	(000000–	) Hose, Afmkt, Pvc, Brd, 0.75id, 08ft, Clr	1
▲	7 63810	(000000–	) Clamp, Hose, Wormdrive, 0.56–1.06d, .56w	6
▲	8 1019250	(000000–	) Hose, Water, Coil	1
▲	9 769785	(000000–	) Nozzle, Spray, Gun	1
▲	10 1027976	(000000–	) Fitting, Brs, Str, Pf06/Pm12	1
▲	11 1027237	(000000–	) Bracket, Mtg, Spray Handle	1
▲	12 385644	(000000–	) Fitting, Plstc, Tee, Bm08/Bm12/Bm12, Br	1
▲	13 1018499	(000000–	) Fitting, Plstc, E90, Bm08/Pf08s, Swivel	1
▲	14 398500	(000000–	) Switch, Rocker, Dpdt On/None/On	1
▲	15 1029790	(000000–	) Bracket, Mtg, Spray Wand [FaST, Conv]	1
▲	16 09740	(000000–	) Screw, Hex, M8 X 1.25 X 20, Ss	2
▲	17 1017218	(000000–	) Washer, Flat, 0.32b 1.00d .12, Ss	2
▲	18 1027978	(000000–	) Fitting, Brs, Str, Pf06/Pf06 Bh	1
▲	19 64778	(000000–	) Fitting, Plstc, E90, Bm08/Pm06	1
▲	20 1029055	(000000–	) Wand, Clean-Out	1
▲	21 1029057	(000000–	) Clip, Grip, Finger, .875–1.25	2
▲	22 20394	(000000–	) Screw, Hex, #10–16 X 0.62, Fmg [Ab]	2
▲	23 01683	(000000–	) Washer, Flat, #10, Ss	6
▲	24 375321	(000000–	) Fitting, Brs, Str, Pm08/Garden Hose	1
▲	25 01316	(000000–	) Washer, Flat, 0.66b 1.00d .12, Rbr	1
▲	26 1029153	(000000–	) Nipple, Hose	1
▲	27 1029155	(000000–	) Coupling, Nozzle, Spray	1
▲	28 1029156	(000000–	) Nozzle	1
▲	29 1029399	(000000–	) Valve, Shutoff	1
▲	30 1021881	(000000–	) Harness, Spray, Nozzle	1
▲	31 56186	(000000–	) Relay, 12vdc, 40a, Spdt N/O	1
▲	32 1018495	(000000–	) Fitting, Plstc, Str, Bm08/Pf08s, Swivel	1

Fig. 34 – Transport Group



**Fig. 34 – Transport Group**

<b>Ref.</b>	<b>Part No.</b>	<b>Serial Number</b>	<b>Description</b>	<b>Qty.</b>
1	1040800	(002473–	) Bracket, Latch, Cover	2
2	1020526	(000000–	) Bracket, Retaining, Hose	2
3	1032896	(002473–	) Plate, Hook, Latch, [M20]	2
4	09744	(002473–	) Screw, Hex, M6 X 1.00 X 12, Ss	8
5	01684	(002473–	) Washer, Flat, 0.27b 0.69d .05, Ss	8
6	360824	(000000–	) Latch	2
7	09200	(000000–	) Screw, Pan, Phi, M5 X 0.80 X 12, Ss	4
8	09739	(000000–	) Nut, Hex, Lock, M5 X 0.80, NI, Ss	4
9	393135	(000000–	) Screw, Btn, M8 X 1.25 X 20, Blk	2
10	32491	(000000–	) Washer, Flat, 0.31, Std	2
11	08712	(002473–	) Nut, Hex, Lock, M6 X 1.00, NI, Ss	4
12	1032869	(000000–002472 )	Bracket, Latch, Cover	2
13	1032896	(000000–002472 )	Plate, Hook, Latch, [M20]	2
14	09744	(000000–002472 )	Screw, Hex, M6 X 1.0 X 12, Ss	8
15	01684	(000000–002472 )	Washer, Flat, 0.25, Ss	8

Fig. 35 – Squeegee Guard Kit

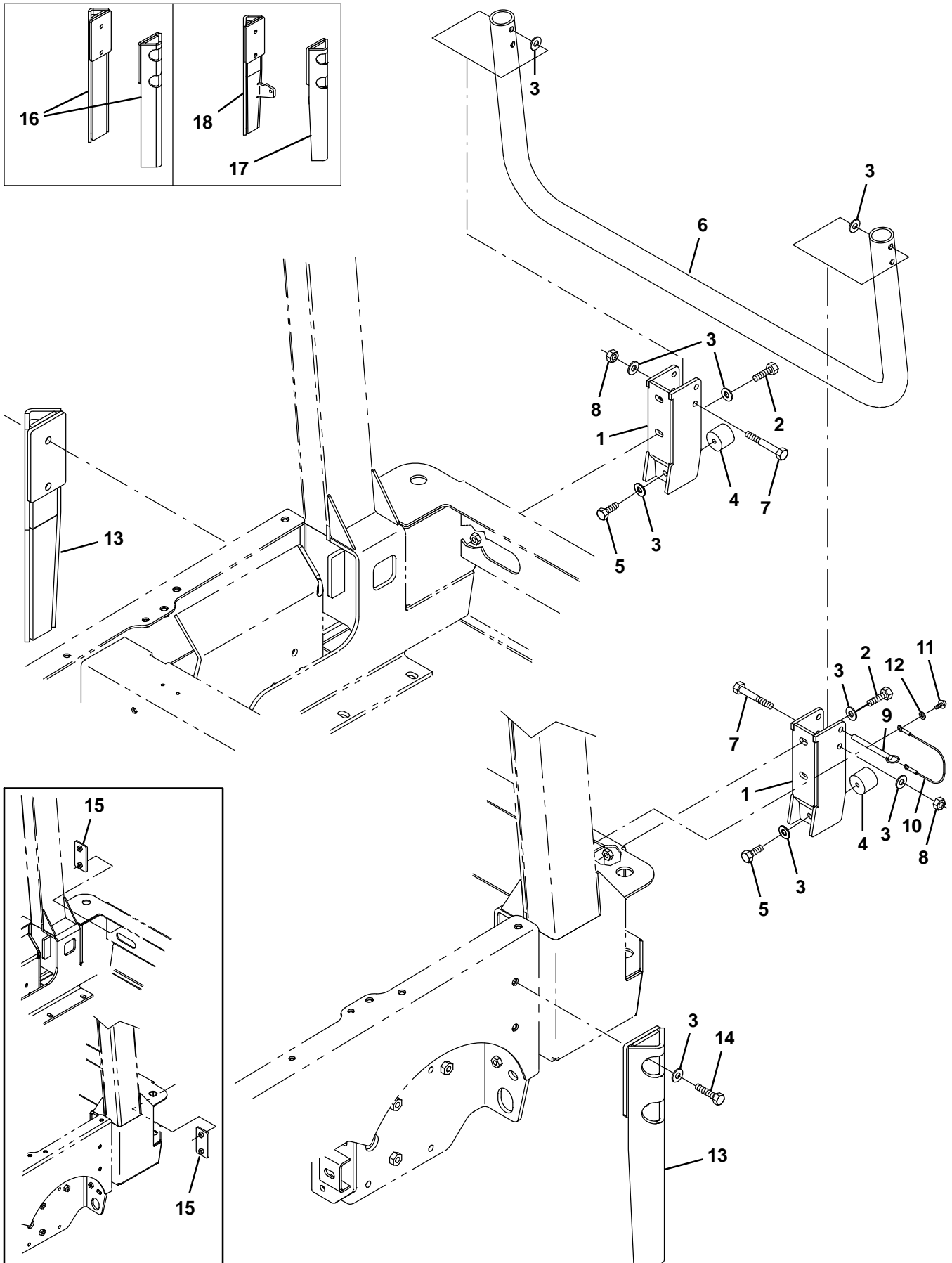
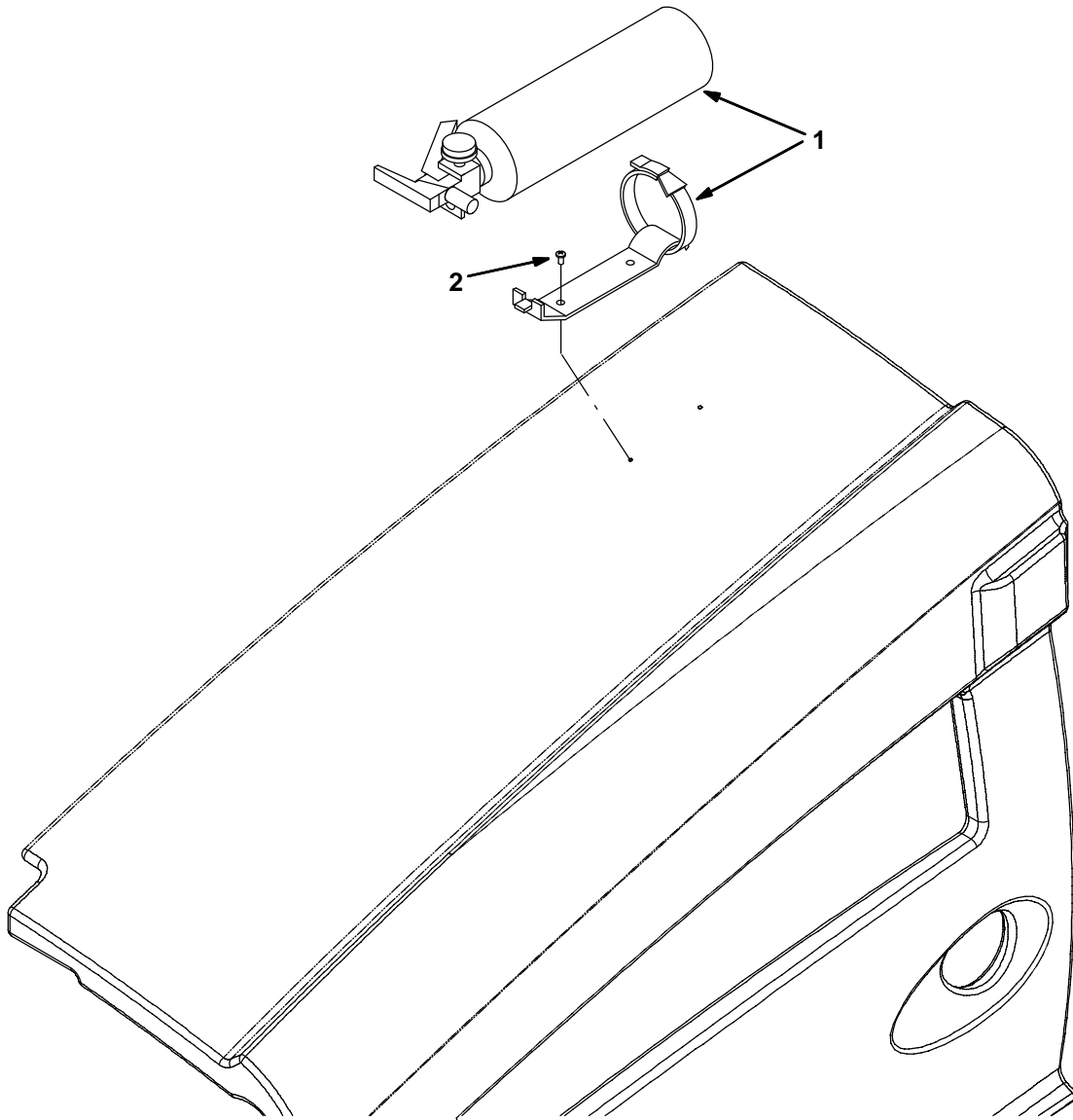


Fig. 35 – Squeegee Guard Kit

Ref.	Part No.	Serial Number	Description	Qty.
▽	9001338	(000000–	) Guard Kit, Sqge, Ci [M20]	1
▲	1 1027560	(000000–	) Bracket Wldt, Guard, Sqge	2
▲	2 39284	(000000–	) Screw, Hex, M10 X 1.5 X 35, 8.8	4
▲	3 32492	(000000–	) Washer, Flat, 0.38 Std	14
▲	4 1024977	(000000–	) Bumper, Ure, 1.50d 1.25l	2
▲	5 21196	(000000–	) Screw, Hex, .38–16 X 0.88, 5	2
▲	6 1056195	(000000–	) Guard Wldt, Pntd [M20/T20]	1
▲	7 06965	(000000–	) Screw, Hex, M10 X 1.5 X 80, 8.8	2
▲	8 41430	(000000–	) Nut, Hex, Lock, M10 X 1.5, NI	2
▲	9 369359	(000000–	) Pin, Hitch, .375d X 3.12l, PI	1
▲	10 57702	(000000–	) Cable, Glv .06d 012.0l .26eye /.26eye	1
▲	11 55845	(000000–	) Screw, Hex, M5 X 0.8 X 16, Fmg	1
▲	12 01683	(000000–	) Washer, Flat, #10, Ss	1
▲	13 1045444	( xxxxxx–	) Guard Wldt, Sqge [M20/T20/M30]	2
▲	14 06962	(000000–	) Screw, Hex, M10 X 1.5 X 45, 8.8	4
	15 1029543	(000000–004292	) Plate, Mtg	2
	16 1025663	(000000–002435	) Guard Wldt, Sqge	2
	17 1040863	(002436–xxxxxx	) Guard Wldt, Sqge [M20/T20 Lh, M30 Rh]	1
	18 1040871	(002436–xxxxxx	) Guard Wldt, Sqge [M20/T20 Rh, M30 Lh]	1

**Fig. 36 – Fire Extinguisher Kit**



354484

Ref.	Part No.	Serial Number	Description	Qty.
	9001316	(000000–	) Extinguisher Kit, Fire, Ci [M20 And T20]	1
1	25312	(000000–	) Extinguisher, Fire, 2.5 Lb Dry	1
2	382320	(000000–	) Screw, Pan, #12–16 X 0.50, F/ Plstc	2

**Fig. 37 – Documentation Group**

<b>Ref.</b>	<b>Part No.</b>	<b>Serial Number</b>	<b>Description</b>	<b>Qty.</b>
	331380	(000000–	) Manual, Oprtr [M20 Gas/Lpg En]	1
	1032578	(000000–	) Instr, Maint, Wall Chart [M20]	1
	331382	(000000–	) Manual, Oprtr [M20 Gas/Lpg, Es, Na]	1
	331383	(000000–	) Manual, Oprtr [M20 Gas/Lpg, Fr, Na]	1
	331381	(000000–	) Manual, Parts [M20 Gas/Lpg En]	1
	331385	(000000–	) Manual, Service [M20 En]	1
	1027759	(000000–	) Video, Oprtr, Dvd [W/Checklist M20]	1
	372863	(000000–001999	) Manual, Service, Eng[Gm1.6l Em Cert]	1
	371790	(000000–001999	) Manual, Service, Eng [Gm1.6l]	1
	9003926	(002000–	) Manual, Eng, Cd–Rom [Tier li,Gm1.6l]	1
	9006257	(000000–	) Media, Cd–Rom, Training [ec–H2O Tennant]	1



## SECTION 4

Contents	Page
Fig. 1 – Extended Scrub Pump Breakdown, 1021210 .....	4-2
Fig. 2 – Hydraulic Motor Breakdown, 379609 ...	4-4
Fig. 3 – Hydraulic Pump Breakdown, 1024251 .	4-6
Fig. 4 – Hydraulic Motor Breakdown, 71729 ....	4-8
Fig. 5 – Hydraulic Motor Breakdown, 1029379 .	4-9
Fig. 6 – Hydraulic Motor Breakdown, 53485 ...	4-10
Fig. 7 – Hydraulic Valve Breakdown, 1018936 .	4-11
Fig. 8 – Hydraulic Valve Breakdown, 1018938 .	4-12
Fig. 9 – Hydraulic Valve Breakdown, 1037805 .	4-14
Fig. 10 – Hydraulic Valve Breakdown, 1072997 .	4-16
Fig. 11 – Hydraulic Valve Breakdown, 1020394 .	4-18
Fig. 12 – Hydraulic Valve Breakdown, 1038566 .	4-20
Fig. 13 – Hydraulic Valve Breakdown, 1072995 .	4-22
Fig. 14 – Hydraulic Steering Valve Breakdown, 1024260 .....	4-24
Fig. 15 – Metering Solution Pump Breakdown, 73260 .....	4-26
Fig. 16 – Water Pump Breakdown, 1026743 ...	4-27
Fig. 17 – ec-H2O Module Assembly Breakdown, 9007882 .....	4-28
Fig. 18 – FaST Injector Assembly Breakdown, 9008868 .....	4-30

**Fig. 1 – Extended Scrub Pump Breakdown, 1021210**

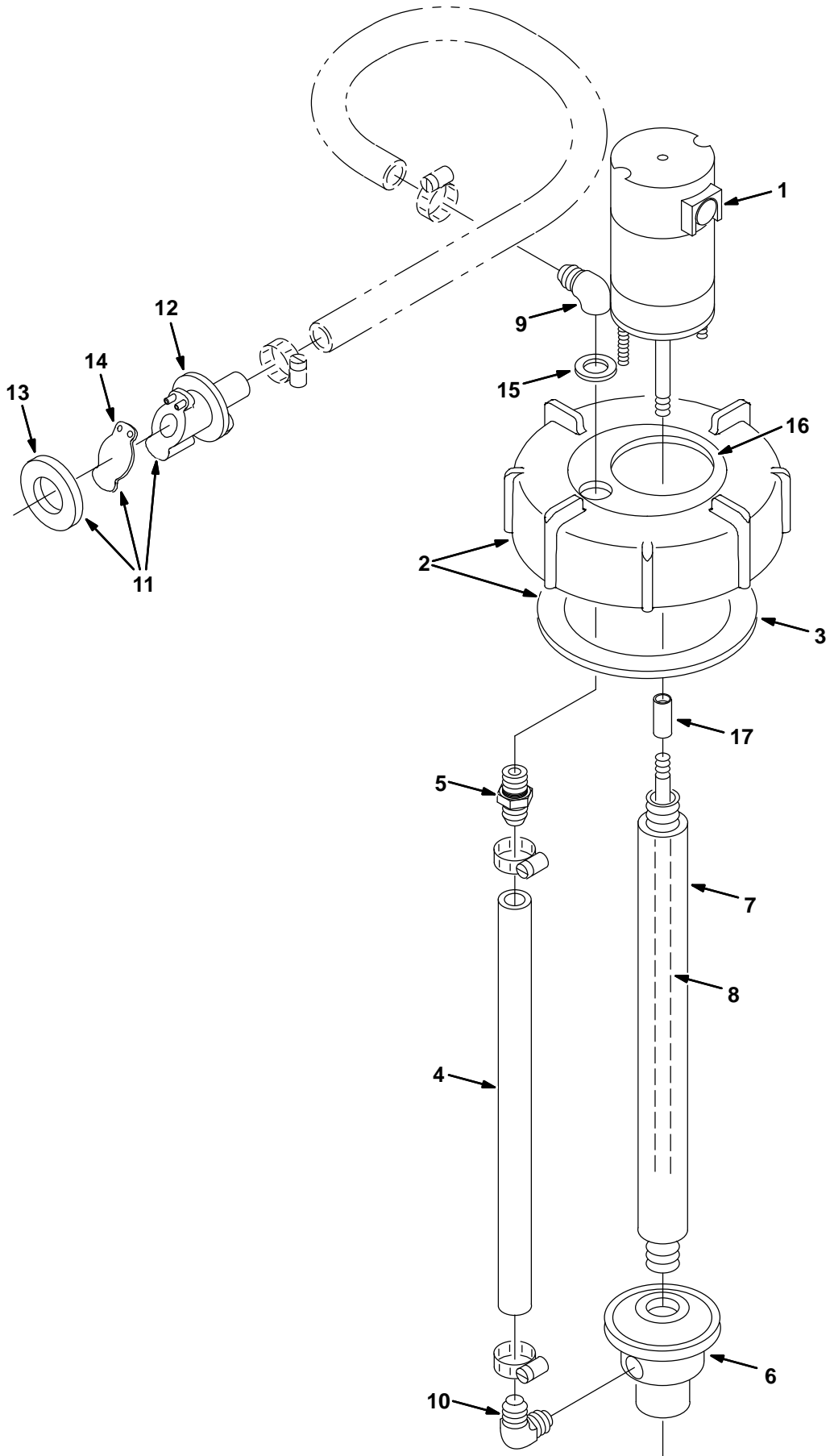


Fig. 1 - Extended Scrub Pump Breakdown, 1021210

	Ref.	Part No.	Serial Number	Description	Qty.
▽		1021210	(000000-	) Pump Assy, Column, Es	1
▲▽	1	9002708	(000000-	) Motor, Ele, 12vdc, Pump, Water	1
▲▲		78829	(000000-	) Kit, Brush, Motor, Ele	1
▲▽	2	24358	(000000-	) Cap Assy, Tank, Drain	1
▲▲	3	1031699	(000000-	) Gasket, 4.05id 5.29od .19 [Buna]	1
▲	4	78833	(000000-	) Tube, Vinyl, Pump, Water	1
▲	5	78398	(000000-	) Fitting, Plstc, Str, Bm12/Pm08, Nyl	1
▲	6	78843	(000000-	) Housing Kit, Pump, Water	1
▲	7	78836	(000000-	) Column, Pump, Water	1
▲	8	9002709	(000000-	) Shaft, Pump, Water	1
▲	9	78838	(000000-	) Fitting, E, Gr	1
▲	10	78839	(000000-	) Fitting, Plstc, E90, Pf Bm [Es Pump]	1
▲▽	11	78842	(000000-	) Kit, Valve, Check, Pump, Water	1
▲▲	12	78840	(000000-	) Valve, Check, Pump, Water	1
▲▲	13	73342	(000000-	) Gasket, .25 1.88d 1.0id [Poron]	1
▲▲	14	78841	(000000-	) Flapper, Valve, Pump, Water	1
▲	15	78830	(000000-	) Washer, Rbr	1
▲	16	22790	(000000-	) Insert, Cap, Mount, Es Pump	1
▲	17	23285	(000000-	) Sleeve, Pump, Water	1

**Fig. 2 – Hydraulic Motor Breakdown, 379609**

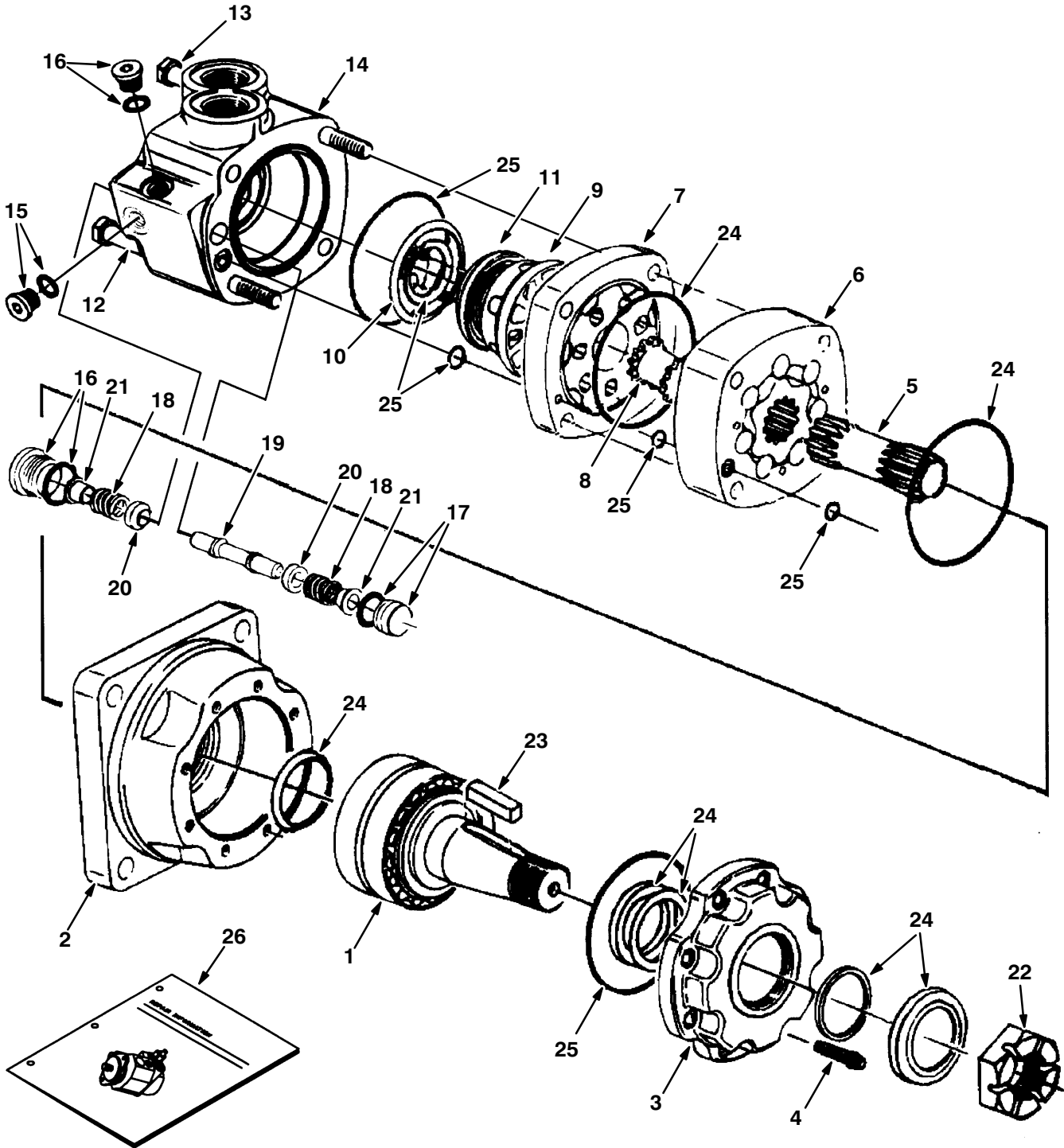


Fig. 2 – Hydraulic Motor Breakdown, 379609

	Ref.	Part No.	Serial Number	Description	Qty.
▽		379609	(000000–	) Motor, Hyd, Gear, [Int], 19.0 X 3000	1
▲	1	74165	(000000–	) Shaft, Motor, Hyd	1
▲	2	74166	(000000–	) Housing, Brg, Motor, Hyd	1
▲	3	74167	(000000–	) Retainer, Motor, Hyd	1
▲	4	74168	(000000–	) Screw, Cap, Motor, Hyd	8
▲	5	37616	(000000–	) Drive, Motor, Hyd	1
▲	6	37756	(000000–	) Geroler, Motor, Hyd	1
▲	7	74122	(000000–	) Plate, Valve, Motor, Hyd	1
▲	8	52405	(000000–	) Valve, Motor, Hyd	1
▲	9	74123	(000000–	) Valve, Motor, Hyd	1
▲	10	34178	(000000–	) Spring, Motor, Hyd	2
▲	11	38968	(000000–	) Ring, Motor, Hyd	1
▲	12	74125	(000000–	) Bolt, Motor, Hyd	3
▲	13	38255	(000000–	) Bolt, Motor, Hyd	1
▲	14	373297	(000000–	) Housing, Valve	1
▲	15	373298	(000000–	) Plug	1
▲	16	373260	(000000–	) Plug, Pump, Hyd, Gear	2
▲	17	373299	(000000–	) Plug	1
▲	18	373291	(000000–	) Spring	2
▲	19	373217	(000000–	) Piston, Pump, Hyd, Gear	1
▲	20	373226	(000000–	) Poppet, Pump, Hyd, Gear	2
▲	21	373236	(000000–	) Sleeve, Dashpo, Pump, Hyd, Gear	2
▲	22	45622	(000000–	) Nut, Motor, Hyd	1
▲	23	45623	(000000–	) Key, Motor, Hyd	1
▲	24	79828	(000000–	) Kit, Seal, Motor, Hyd	1
▲	25	33580	(000000–	) Kit, Seal, Motor, Hyd	1
	26	79729	(000000–	) Instr, Repair, Motor, Hyd, Gear	1

**Fig. 3 – Hydraulic Pump Breakdown, 1024251**

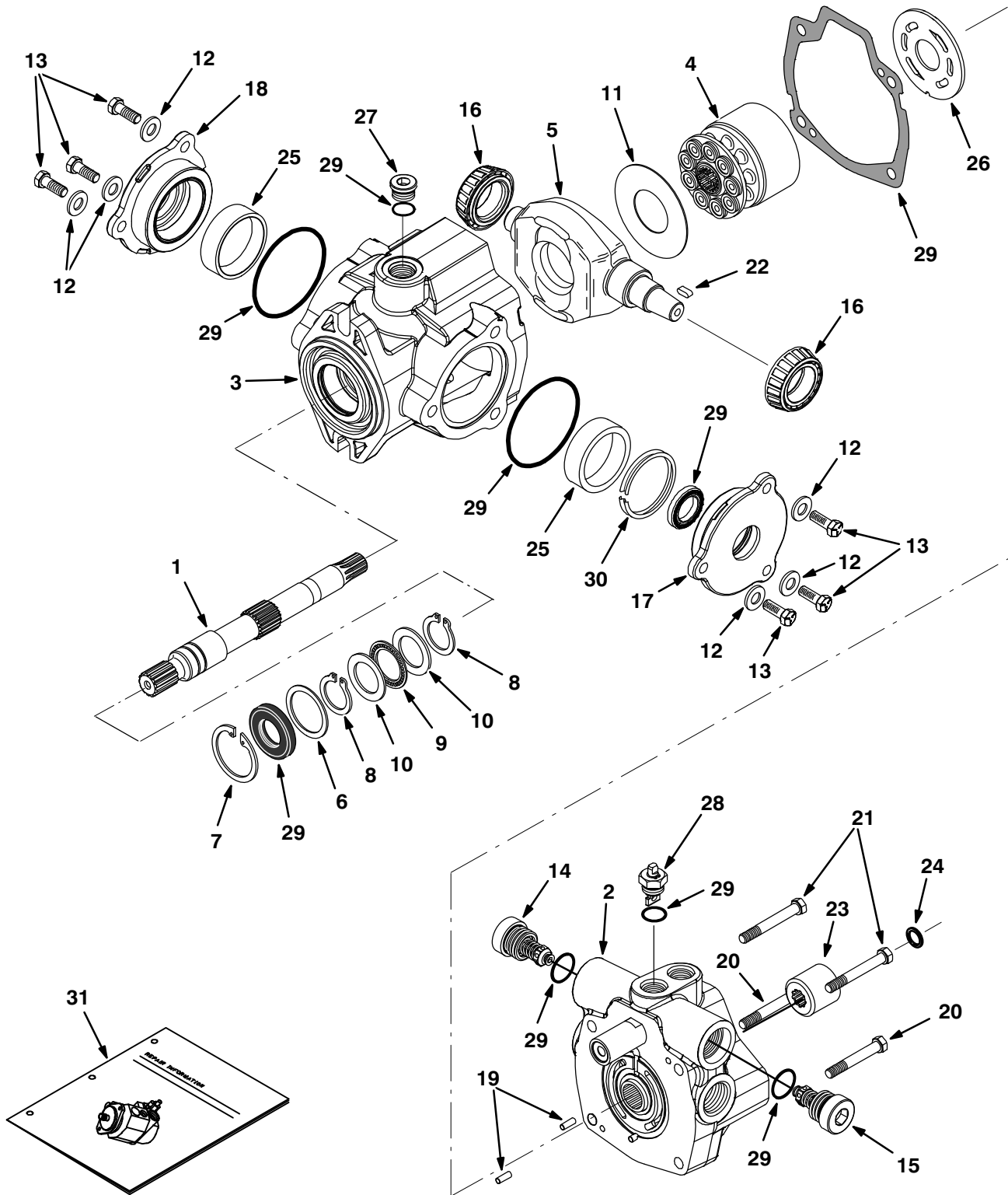
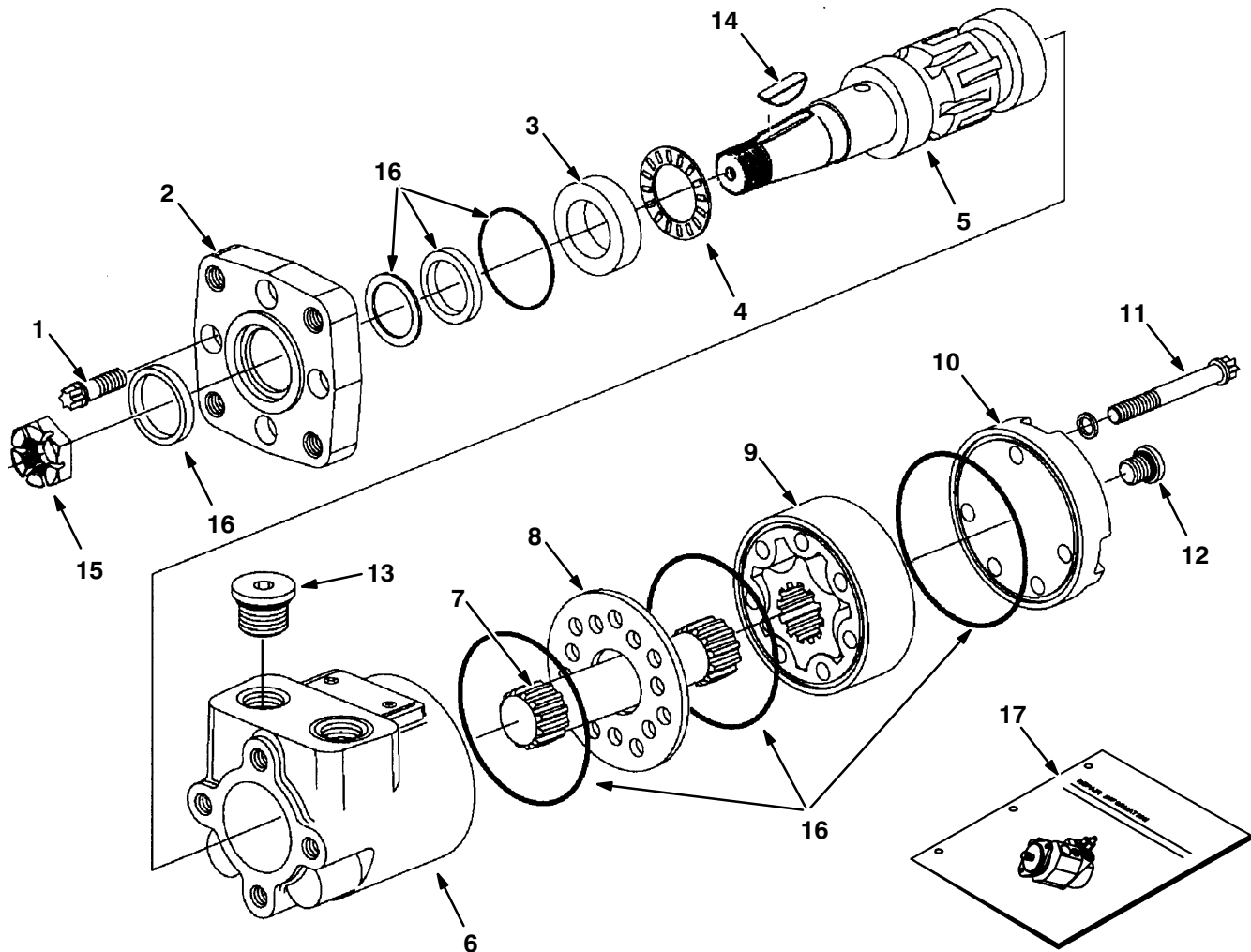


Fig. 3 – Hydraulic Pump Breakdown, 1024251

Ref.	Part No.	Serial Number	Description	Qty.	
▽	1024251	(000000–	) Pump, Hyd, Piston, Var, 1.24 4000, Cw	1	
▲	1	373681	(000000–	) Shaft, Pump	1
▲	2	373427	(000000–	) Cover, End	1
▲	3	373389	(000000–	) Housing	1
▲	4	02706	(000000–	) Pump Kit, Hyd, Rotating [Cessna]	1
▲	5	373493	(000000–	) Plate, Cam	1
▲	6	70096	(000000–	) Washer, Flat, Pump, Hyd	1
▲	7	55926	(000000–	) Ring, Retaining, Pump, Hyd	1
▲	8	373434	(000000–	) Ring, Retaining	2
▲	9	74225	(000000–	) Bearing, Thrust, Pump, Hyd	1
▲	10	74226	(000000–	) Race, Brg, Pump, Hyd	2
▲	11	373327	(000000–	) Insert, Plt, Cam, Pump, Hyd	1
▲	12	373391	(000000–	) Washer, Pump, Hyd [En]	6
▲	13	373346	(000000–	) Screw, Cap	6
▲	14	373494	(000000–	) Valve, Relief, 4000 Psi	1
▲	15	373678	(000000–	) Valve, Relief, 3000 Psi	1
▲	16	373317	(000000–	) Bearing, Cone, Pump, Hyd	2
▲	17	373393	(000000–	) Plate, Cover	1
▲	18	373394	(000000–	) Plate, Cover	1
▲	19	70100	(000000–	) Pin, Dowel, Pump, Hyd	2
▲	20	373347	(000000–	) Screw, Cap	2
▲	21	373348	(000000–	) Screw, Cap	2
▲	22	74237	(000000–	) Key, Shaft, Pump, Hyd	1
▲	23	373679	(000000–	) Coupler, Pump	1
▲	24	373680	(000000–	) Ring, Lock	1
▲	25	373395	(000000–	) Bearing, Cup	2
▲	26	74180	(000000–	) Plate, Valve, Pump, Hyd	1
▲	27	13907	(000000–	) Fitting, Hyd, Plug, Om08	1
▲	28	373413	(000000–	) Actuator, Valve, By-Pass [En]	1
▲	29	373398	(000000–	) Seal Kit, Pump, Hyd	1
▲	30	373402	(000000–	) Shim Kit	1
	31	373429	(000000–	) Instr, Repair, Pump	1

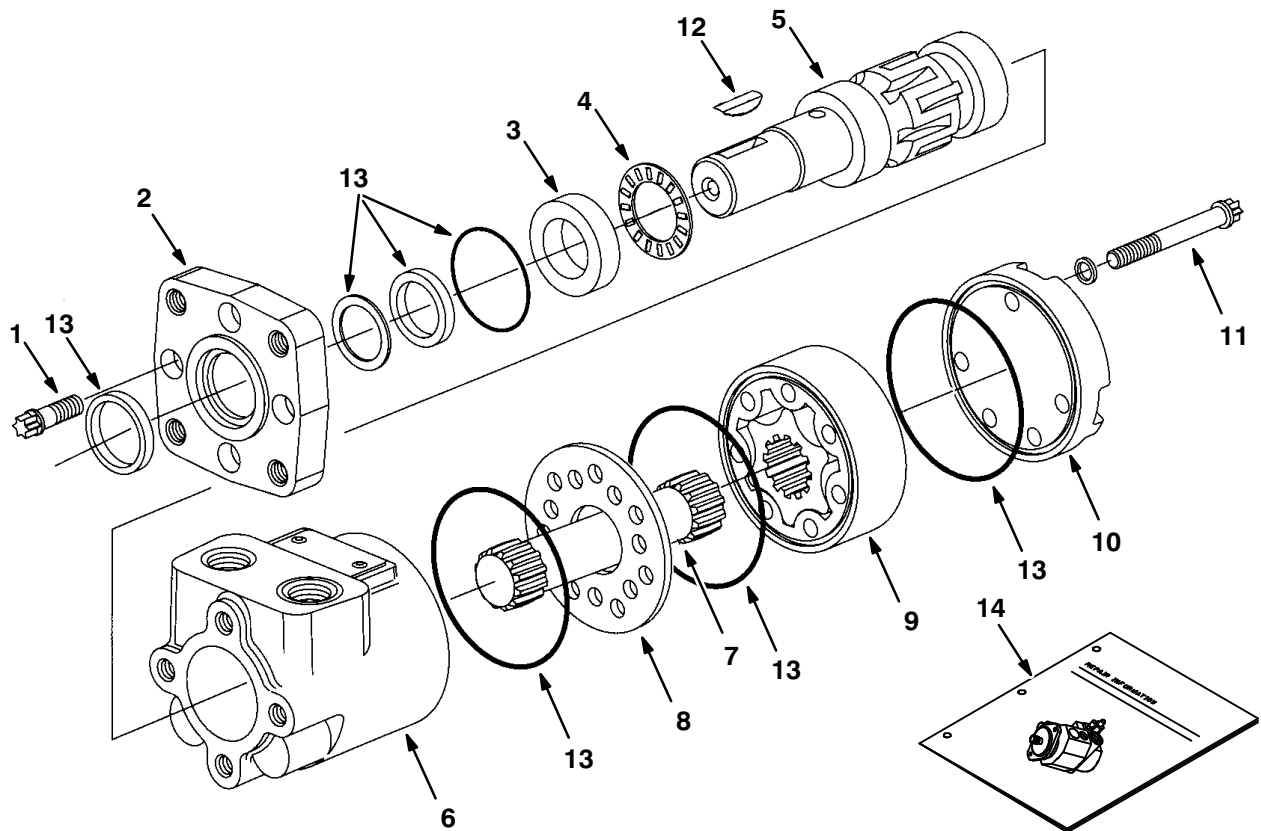
**Fig. 4 – Hydraulic Motor Breakdown, 71729**



09606-09670-ALL

Ref.	Tennant Part No.	Manufacturer Serial Number	Description	Qty.
▽	71729	(000000- )	Motor, Hyd Gear In 4.5 B 1500	1
▲	1	37555	(000000- ) Screw	4
▲	2	31354	(000000- ) Flange Mounting	1
▲	3	16695	(000000- ) Race Thrust	1
▲	4	45628	(000000- ) Thrust Bearing	1
▲	5	31375	(000000- ) Shaft, Output	1
▲	6	74100	(000000- ) Housingl	1
▲	7	31379	(000000- ) Drive	1
▲	8	74094	(000000- ) Spacer Plate	1
▲	9	31383	(000000- ) Gerotor Set	1
▲	10	74095	(000000- ) End Cap	1
▲	11	65241	(000000- ) Cap Screw	5
▲	12	74098	(000000- ) Plug #4	1
▲	13	74099	(000000- ) Plug #10	2
▲	14	00500-15	(000000- ) Key-Wdruff 0.25 1.00	1
▲	15	39527	(000000- ) Nut-Hxslot .75-16 Pltd	1
▲	16	61490	(000000- ) Seal Replmt Kit	1
▲	17	74250	(000000- ) Instr. Repair Info, Motor	1

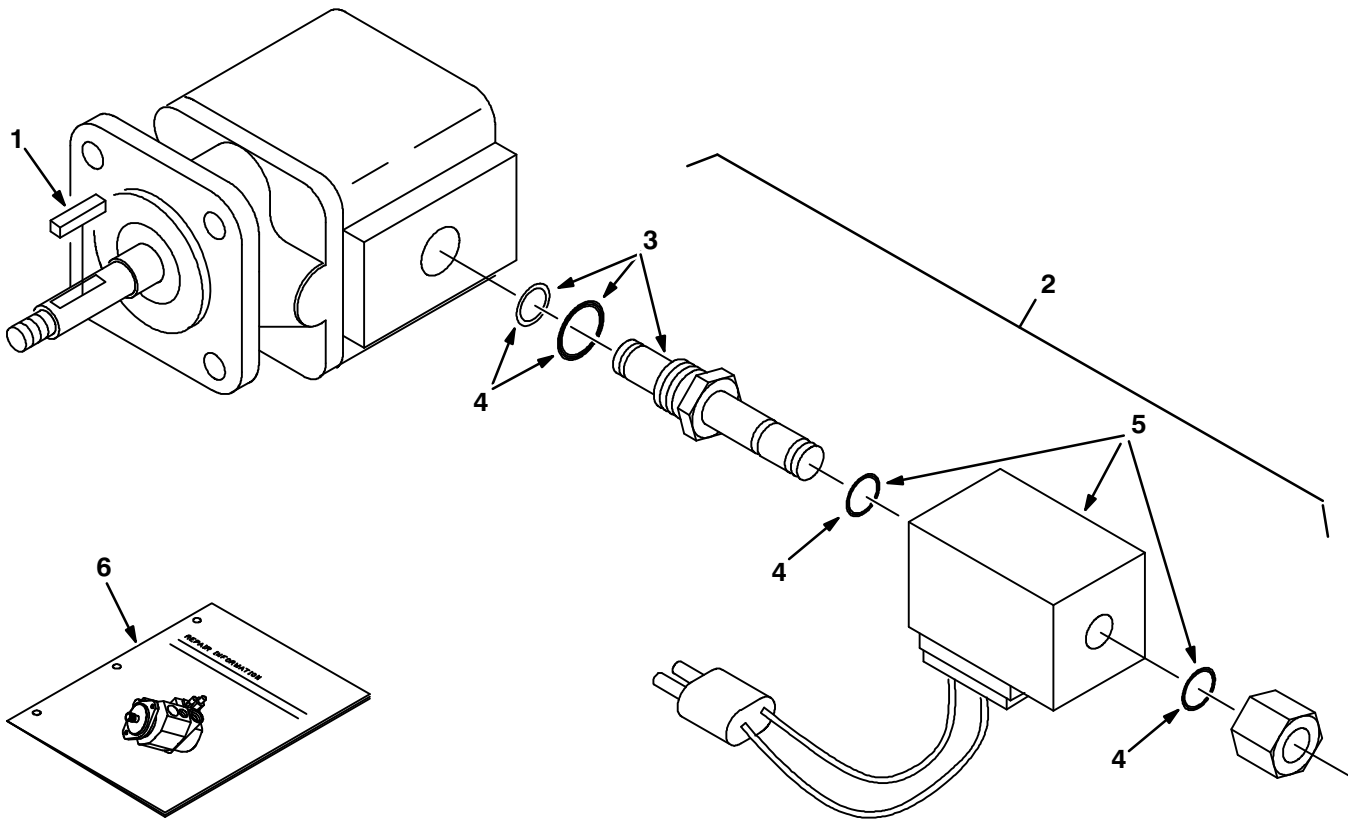
Fig. 5 – Hydraulic Motor Breakdown, 1029379



10859-09670- ALL

Ref.	Part No.	Serial Number	Description	Qty.	
▽	1029379	(000000-	) Motor, Hyd, Gear, Int 08.9 Bi-Dir 2500	1	
▲	1	37555	(000000-	) Screw, Motor, Hyd [En]	4
▲	2	31354	(000000-	) Flange, Motor, Hyd [En]	1
▲	3	16695	(000000-	) Ace, Thrust, Motor, Hyd [En]	1
▲	4	45628	(000000-	) Bearing, Thrust	1
▲	5	28854	(000000-	) Shaft, Output, Motor, Hyd [En]	1
▲	6	74100	(000000-	) Housing, Motor, Hyd [En]	1
▲	7	21955	(000000-	) Drive [CI]	1
▲	8	74094	(000000-	) Plate, Spacer, Motor, Hyd [En]	1
▲	9	21956	(000000-	) Gerotor Set [CI]	1
▲	10	65230	(000000-	) End Cap, Motor, Hyd [En]	1
▲	11	21958	(000000-	) Cap Screw CI	5
▲	12	00500-15	(000000-	) Key, Woodruff, 0.25 1.00 [Asa#0808]	1
▲	13	61490	(000000-	) Seal Kit, Motor [CI]	1
▲	14	74250	(000000-	) Instr, Motor, Hyd, Repair [En]	1

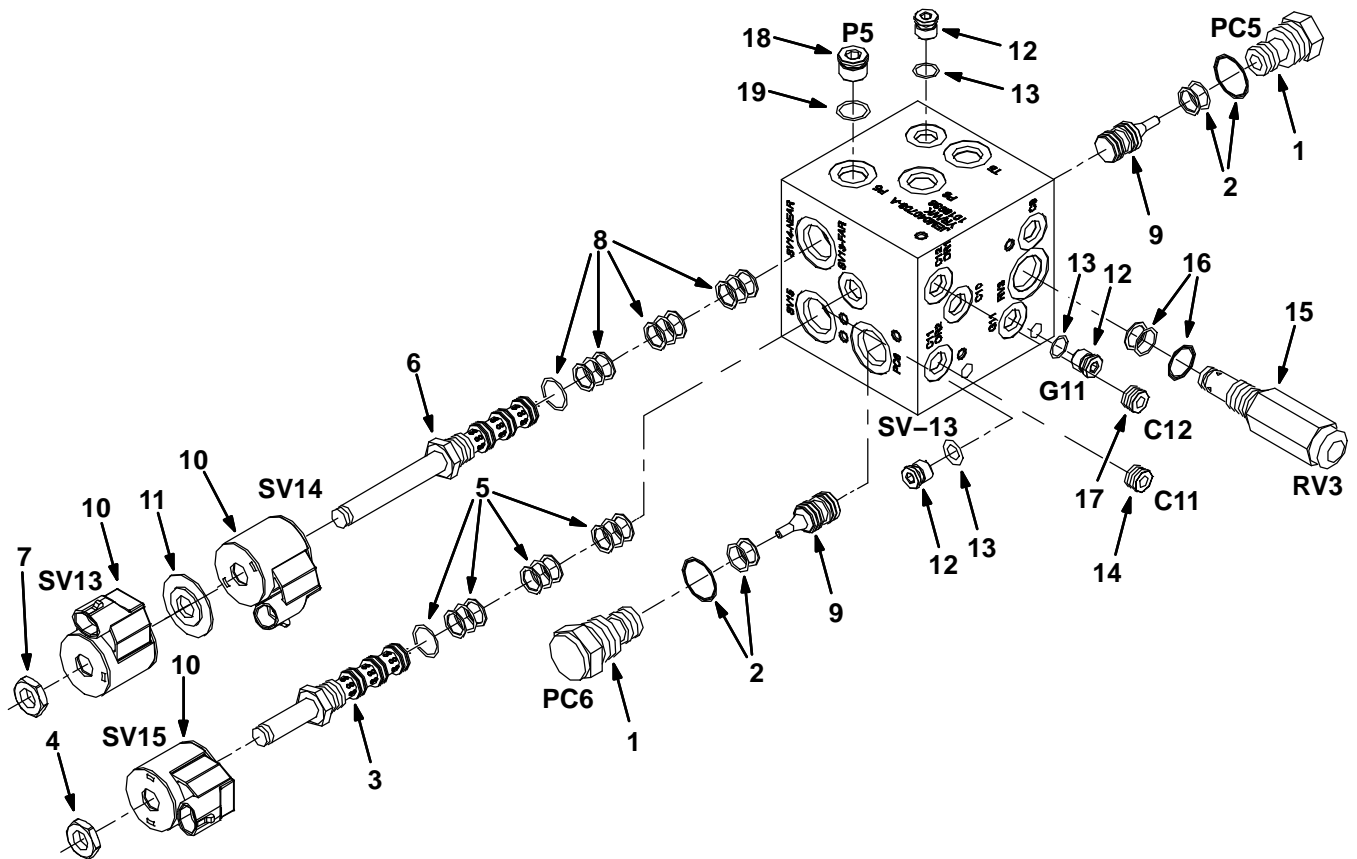
**Fig. 6 – Hydraulic Motor Breakdown, 53485**



07490 – 09670

Ref.	Part No.	Serial Number	Description	Qty.
▽	53485	(000000–	) Motor, Hyd, Gear, Ext 0.19 Rh 3000	1
▲	74233	(000000–	) Kit, Seal, Motor, Hyd, Gear[Barns]	1
▲	1 00966	(000000–	) Key, Sq, 0.12 X 0.12, 0.75l	1
▲▽	2 54095	(000000–	) Valve, Hyd Cartridge 10no/–0	1
▲▲	3 59378	(000000–	) Valve Stem, N.O.Valve, Hyd	1
▲▲	4 48813	(000000–	) Kit, Seal, Valve, Hyd [Cec]	1
▲▲	5 35493	(000000–	) Solenoid, 12v, Valve, Hyd [Cec]	1
	6 IB3614	(000000–	) Instr, Seal Kit, Motor	1

Fig. 7 – Hydraulic Valve Breakdown, 1018936



ALL

Ref.	Part No.	Serial Number	Description	Qty.	
▽	1018936	(000000–	) Valve, Cntrl, Hyd [M20]	1	
▲▽	1	373656	(000000–	) Valve, Check	2
▲▲	2	373647	(000000–	) Seal Kit, Cartridge	1
▲▽	3	373657	(000000–	) Stem, Valve, Hyd, 4w2p	1
▲▲	4	373648	(000000–	) Nut, Coil, F/#8	1
▲▲	5	373647	(000000–	) Seal Kit, Cartridge	1
▲▽	6	373637	(000000–	) Valve, Cntrl, Solenoid	1
▲▲	7	373648	(000000–	) Nut, Coil, F/#8	1
▲▲	8	373647	(000000–	) Seal Kit, Cartridge	1
▲	9	373658	(000000–	) Spool, Pilot, Hyd	2
▲	10	373640	(000000–	) Solenoid, #8, 12vdc	3
▲	11	373639	(000000–	) Spacer, Coil, #8	1
▲▽	12	74098	(000000–	) Fitting, Hyd, Plug, Om04	3
▲▲	13	77003	(000000–	) Seal, Org, .072 X 00.35id #04	1
▲	14	373633	(000000–	) Plug, Orifice, Valve, Hyd, .040	1
▲▽	15	373659	(000000–	) Valve, Hyd, Relief	1
▲▲	16	373647	(000000–	) Seal Kit, Cartridge	1
▲	17	373660	(000000–	) Plug, Orifice, Valve, Hyd, .030	1
▲▽	18	13904	(000000–	) Fitting, Plug, Org, #6, Valve [Cec]	1
▲▲	19	77005	(000000–	) Seal, Org, .078 X 00.47id #06	1

**Fig. 8 – Hydraulic Valve Breakdown, 1018938**

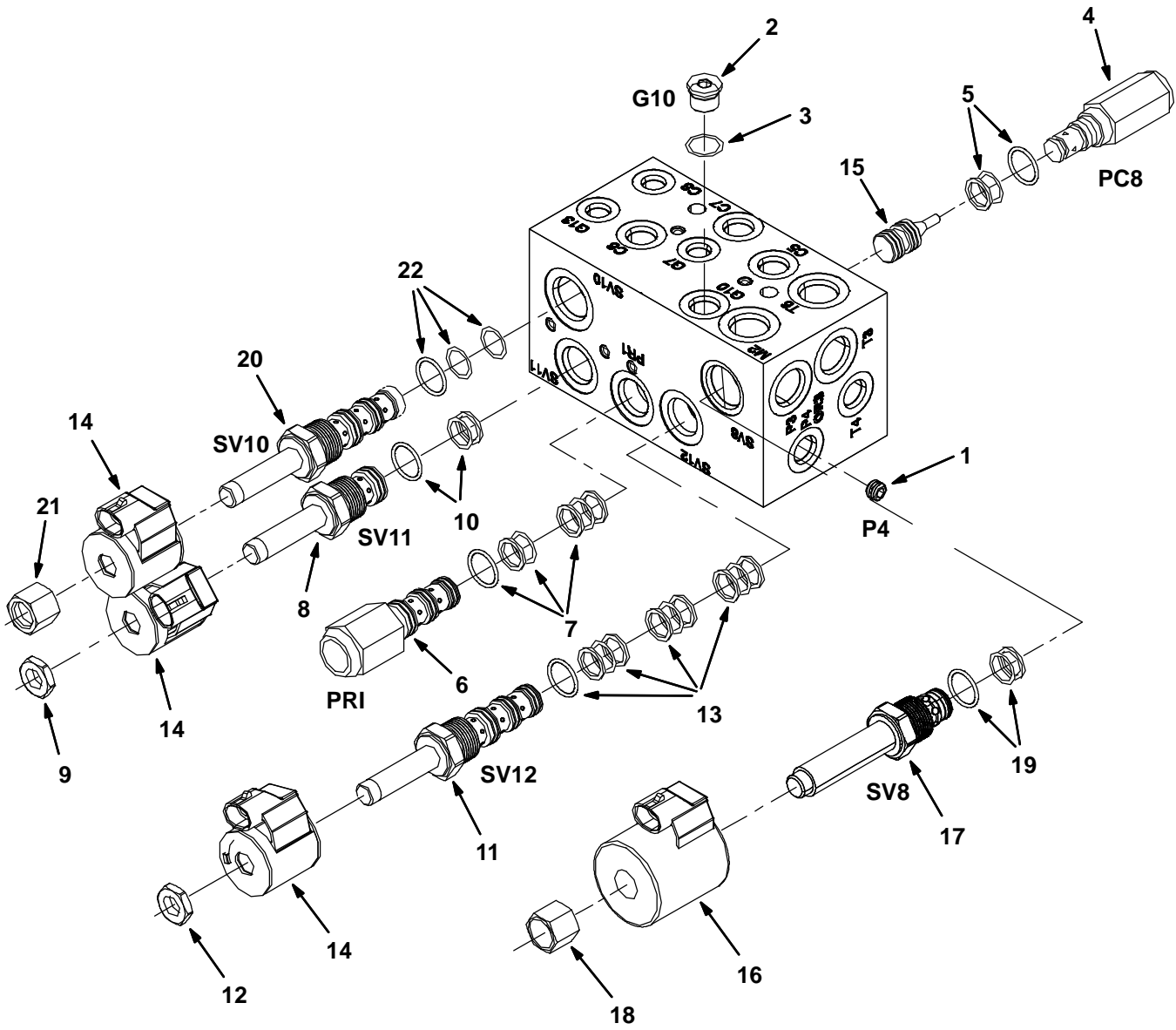


Fig. 8 – Hydraulic Valve Breakdown, 1018938

Ref.	Part No.	Serial Number	Description	Qty.	
▽	1018938	(000000–	) Valve, Cntrl, Hyd [M20 And T20] (Replaced by 1037805)	1	
▲	1	373633	(000000–	) Plug, Orifice, Valve, Hyd, .040	1
▲▽	2	13904	(000000–	) Fitting, Plug, Org, #6, Valve [Cec]	1
▲▲	3	77005	(000000–	) Seal, Org, .078 X 00.47id #06	1
▲▽	4	373656	(000000–	) Valve, Check	1
▲▲	5	373647	(000000–	) Seal Kit, Cartridge	1
▲▽	6	373661	(000000–	) Valve, Relief	1
▲▲	7	373647	(000000–	) Seal Kit, Cartridge	1
▲▽	8	373662	(000000–	) Stem, Valve, Hyd	1
▲▲	9	373648	(000000–	) Nut, Coil, F/#8	1
▲▲	10	373647	(000000–	) Seal Kit, Cartridge	1
▲▽	11	373657	(000000–	) Stem, Valve, Hyd, 4w2p	1
▲▲	12	373648	(000000–	) Nut, Coil, F/#8	1
▲▲	13	373647	(000000–	) Seal Kit, Cartridge	1
▲	14	373640	(000000–	) Solenoid, #8, 12vdc	3
▲	15	373658	(000000–	) Spool, Pilot, Hyd	1
▲	16	373642	(000000–	) Solenoid, #10, 12vdc	1
▲▽	17	373663	(000000–	) Valve, Stem, No	1
▲▲	18	373670	(000000–	) Nut, Solenoid	1
▲▲	19	373646	(000000–	) Seal Kit, Cartridge	1
▲▽	20	373664	(000000–	) Cartridge, Psi Cntrl, Valve, Hyd	1
▲▲	21	373673	(000000–	) Nut, Solenoid	1
▲▲	22	373672	(000000–	) Seal Kit, Cartridge	1

**Fig. 9 – Hydraulic Valve Breakdown, 1037805**

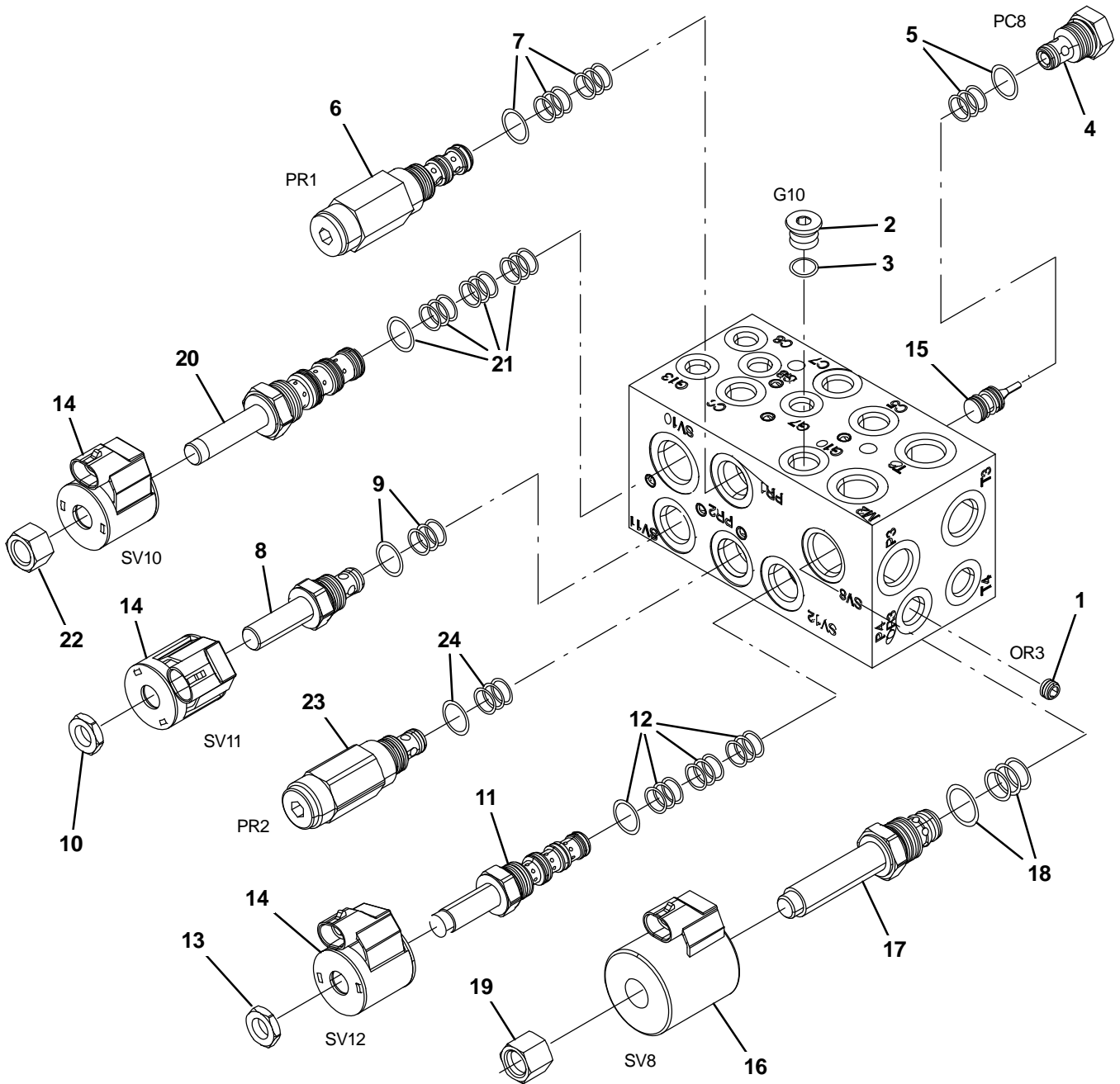


Fig. 9 - Hydraulic Valve Breakdown, 1037805

Ref.	Part No.	Serial Number	Description	Qty.
▽	1037805	(000000-	) Valve, Cntrl, Hyd, Solenoid, 03/16gpm	1
▲	1 373633	(000000-	) Plug, Orifice, Valve, Hyd, .040	1
▲▽	2 13904	(000000-	) Fitting, Plug, Org, #6, Valve [Cec]	1
▲▲	3 77005	(000000-	) Seal, Org, .078 X 00.47id 06	1
▲▽	4 373656	(000000-	) Valve, Check	1
▲▲	5 373647	(000000-	) Seal Kit, Cartridge	1
▲▽	6 373683	(000000-	) Valve, Relief	1
▲▲	7 373647	(000000-	) Seal Kit, Cartridge	1
▲▽	8 373662	(000000-	) Stem, Valve, Hyd	1
▲▲	9 373647	(000000-	) Seal Kit, Cartridge	1
▲▲	10 373648	(000000-	) Nut, Coil, Nyl Patch	1
▲▽	11 373657	(000000-	) Stem, Valve, Hyd [4w2p]	1
▲▲	12 373647	(000000-	) Seal Kit, Cartridge	1
▲▲	13 373648	(000000-	) Nut, Coil, F/#8	1
▲	14 373640	(000000-	) Solenoid, #8, 12vdc	3
▲	15 373658	(000000-	) Spool, Pilot, Hyd	1
▲	16 373642	(000000-	) Solenoid, #10, 12vdc	1
▲▽	17 373663	(000000-	) Valve, Stem, No	1
▲▲	18 373646	(000000-	) Seal Kit, Cartridge	1
▲▲	19 373670	(000000-	) Nut, Solenoid	1
▲▽	20 373664	(000000-	) Cartridge, Psi Cntrl, Valve, Hyd	1
▲▲	21 373672	(000000-	) Seal Kit, Cartridge	1
▲▲	22 373673	(000000-	) Nut, Solenoid	1
▲▽	23 373683	(000000-	) Valve, Relief	1
▲▲	24 373647	(000000-	) Seal Kit, Cartridge	1

**Fig. 10 – Hydraulic Valve Breakdown, 1072997**

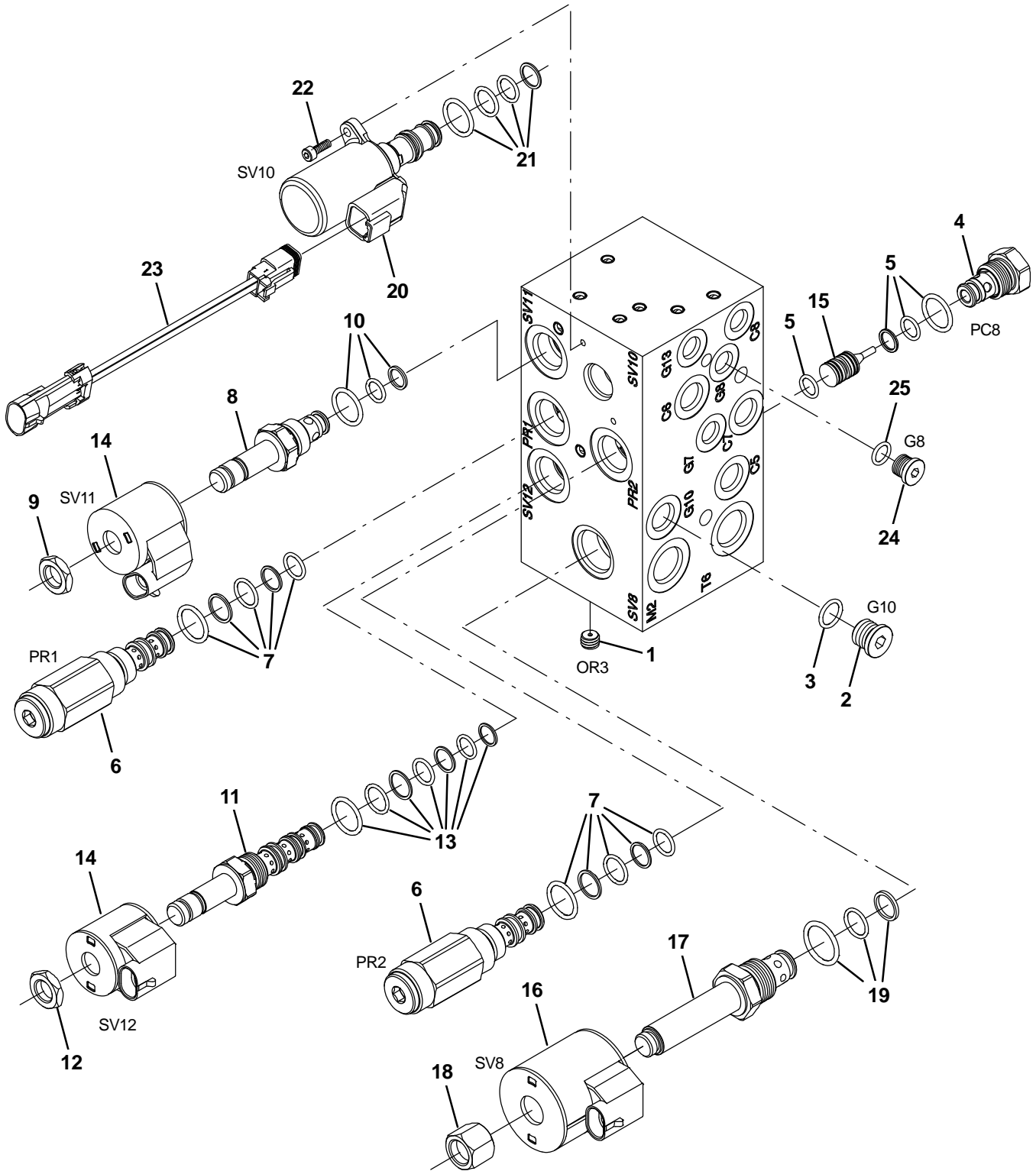


Fig. 10 - Hydraulic Valve Breakdown, 1072997

Ref.	Part No.	Serial Number	Description	Qty.
▽	1072997	(000000-	) Valve, Cntrl, Hyd, Solenoid, 03/16gpm	1
▲	1 373633	(000000-	) Plug, Orifice, Valve, Hyd, .040	1
▲▽	2 13904	(000000-	) Fitting, Plug, Org, #6, Valve [Cec]	1
▲▲	3 77005	(000000-	) Seal, Org, .078 X 00.47id 06	1
▲▽	4 373656	(000000-	) Valve, Check	1
▲▲	5 373647	(000000-	) Seal Kit, Cartridge	1
▲▽	6 373683	(000000-	) Valve, Relief	2
▲▲	7 373647	(000000-	) Seal Kit, Cartridge	1
▲▽	8 373662	(000000-	) Stem, Valve, Hyd	1
▲▲	9 373648	(000000-	) Nut, Coil, Nyl Patch	1
▲▲	10 373647	(000000-	) Seal Kit, Cartridge	1
▲▽	11 373657	(000000-	) Stem, Valve, Hyd [4w2p]	1
▲▲	12 373648	(000000-	) Nut, Coil, F/#8	1
▲▲	13 373647	(000000-	) Seal Kit, Cartridge	1
▲	14 373640	(000000-	) Solenoid, #8, 12vdc	3
▲	15 373658	(000000-	) Spool, Pilot, Hyd	1
▲	16 373642	(000000-	) Solenoid, #10, 12vdc	1
▲▽	17 373663	(000000-	) Valve, Stem, No	1
▲▲	18 373670	(000000-	) Nut, Solenoid	1
▲▲	19 373646	(000000-	) Seal Kit, Cartridge	1
▲▽	20 9011347	(000000-	) Valve Assy [Proportional]	1
▲▲	21 9011343	(000000-	) Seal Kit, Valve [Ehpr98]	1
▲▲	22 9011345	(000000-	) Screw, Mtg [Ehpr98]	2
▲▲	23 9011346	(000000-	) Harness, Jumper [Deutsch To Mpack]	1
▲▽	24 13904	(000000-	) Fitting, Plug, Org, #6, Valve [Cec]	1
▲▲	25 77005	(000000-	) Seal, Org, .078 X 00.47id 06	1

**Fig. 11 – Hydraulic Valve Breakdown, 1020394**

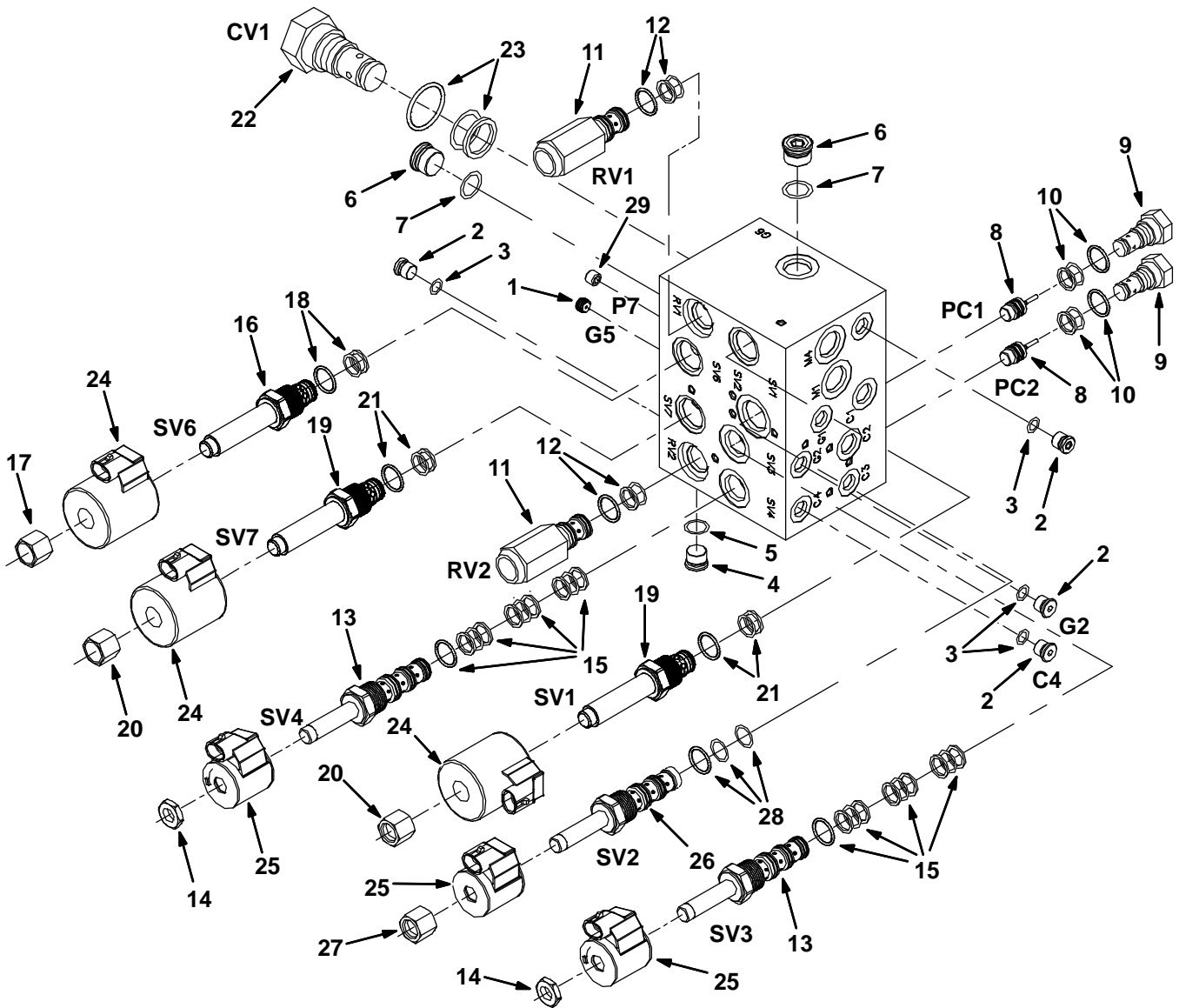


Fig. 11 – Hydraulic Valve Breakdown, 1020394

	Ref.	Part No.	Serial Number	Description	Qty.
▽		1020394	(000000–	) Valve, Cntrl, Hyd	1
▲	1	373665	(000000–	) Plug, Orifice, Valve, Hyd, .046	1
▲▽	2	74098	(000000–	) Fitting, Hyd, Plug, Om04	4
▲▲	3	77003	(000000–	) Seal, Org, .072 X 00.35id #04	1
▲▽	4	13904	(000000–	) Fitting, Plug, Org, #6, Valve [Cec]	1
▲▲	5	77005	(000000–	) Seal, Org, .078 X 00.47id #06	1
▲▽	6	13907	(000000–	) Fitting, Hyd, Plug, Om08	2
▲▲	7	77006	(000000–	) Seal, Org, .087 X 00.64id #08	2
▲	8	373658	(000000–	) Spool, Pilot, Hyd	2
▲▽	9	373631	(000000–	) Valve, Check	2
▲▲	10	373647	(000000–	) Seal Kit, Cartridge	1
▲▽	11	373666	(000000–	) Valve, Relief	2
▲▲	12	373647	(000000–	) Seal Kit, Cartridge	1
▲▽	13	373657	(000000–	) Stem, Valve, Hyd, 4w2p	2
▲▲	14	373648	(000000–	) Nut, Coil, F/#8	1
▲▲	15	373647	(000000–	) Seal Kit, Cartridge	1
▲▽	16	373667	(000000–	) Stem, Valve, Hyd	1
▲▲	17	373648	(000000–	) Nut, Coil, F/#8	1
▲▲	18	373646	(000000–	) Seal Kit, Cartridge	1
▲▽	19	373663	(000000–	) Valve, Stem, No	2
▲▲	20	373670	(000000–	) Nut, Solenoid	1
▲▲	21	373646	(000000–	) Seal Kit, Cartridge	1
▲▽	22	373668	(000000–	) Valve, Check	1
▲▲	23	373671	(000000–	) Seal Kit, Cartridge	1
▲	24	373642	(000000–	) Solenoid, #10, 12vdc	3
▲	25	373640	(000000–	) Solenoid, #8, 12vdc	3
▲▽	26	373664	(000000–	) Cartridge, Psi Cntrl, Valve, Hyd	1
▲▲	27	373673	(000000–	) Nut, Solenoid	1
▲▲	28	373672	(000000–	) Seal Kit, Cartridge	1
▲	29	373669	(000000–	) Plug, Orifice, Valve, Hyd, .063	1

**Fig. 12 – Hydraulic Valve Breakdown, 1038566**

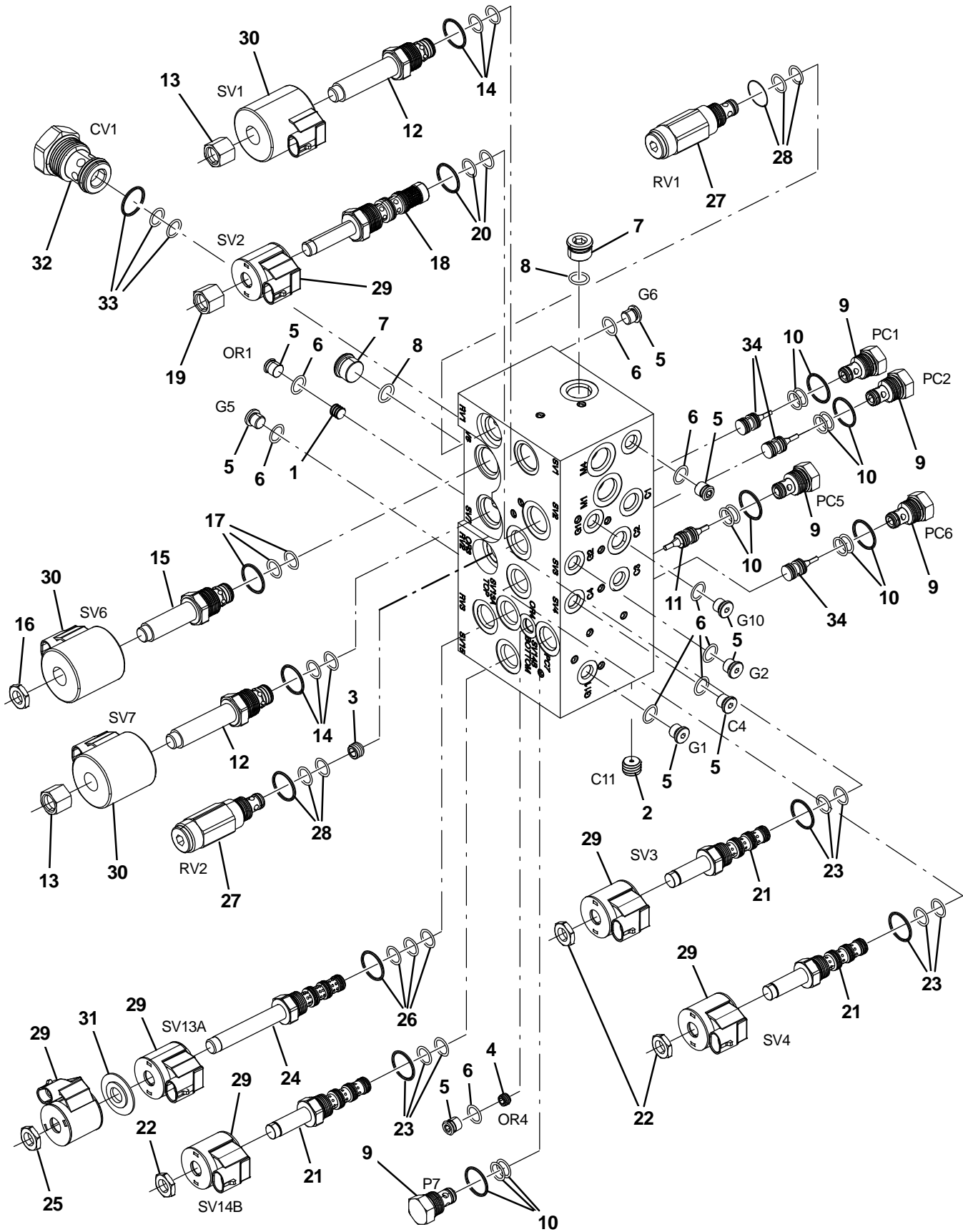


Fig. 10 - Hydraulic Valve Breakdown, 1072997

Ref.	Part No.	Serial Number	Description	Qty.
▽	1072997	(000000-	) Valve, Cntrl, Hyd, Solenoid, 03/16gpm	1
▲	1 373633	(000000-	) Plug, Orifice, Valve, Hyd, .040	1
▲▽	2 13904	(000000-	) Fitting, Plug, Org, #6, Valve [Cec]	1
▲▲	3 77005	(000000-	) Seal, Org, .078 X 00.47id 06	1
▲▽	4 373656	(000000-	) Valve, Check	1
▲▲	5 373647	(000000-	) Seal Kit, Cartridge	1
▲▽	6 373683	(000000-	) Valve, Relief	2
▲▲	7 373647	(000000-	) Seal Kit, Cartridge	1
▲▽	8 373662	(000000-	) Stem, Valve, Hyd	1
▲▲	9 373648	(000000-	) Nut, Coil, Nyl Patch	1
▲▲	10 373647	(000000-	) Seal Kit, Cartridge	1
▲▽	11 373657	(000000-	) Stem, Valve, Hyd [4w2p]	1
▲▲	12 373648	(000000-	) Nut, Coil, F/#8	1
▲▲	13 373647	(000000-	) Seal Kit, Cartridge	1
▲	14 373640	(000000-	) Solenoid, #8, 12vdc	3
▲	15 373658	(000000-	) Spool, Pilot, Hyd	1
▲	16 373642	(000000-	) Solenoid, #10, 12vdc	1
▲▽	17 373663	(000000-	) Valve, Stem, No	1
▲▲	18 373670	(000000-	) Nut, Solenoid	1
▲▲	19 373646	(000000-	) Seal Kit, Cartridge	1
▲▽	20 9011347	(000000-	) Valve Assy [Proportional]	1
▲▲	21 9011343	(000000-	) Seal Kit, Valve [Ehpr98]	1
▲▲	22 9011345	(000000-	) Screw, Mtg [Ehpr98]	2
▲▲	23 9011346	(000000-	) Harness, Jumper [Deutsch To Mpack]	1
▲▽	24 13904	(000000-	) Fitting, Plug, Org, #6, Valve [Cec]	1
▲▲	25 77005	(000000-	) Seal, Org, .078 X 00.47id 06	1

**Fig. 13 - Hydraulic Valve Breakdown, 1072995**

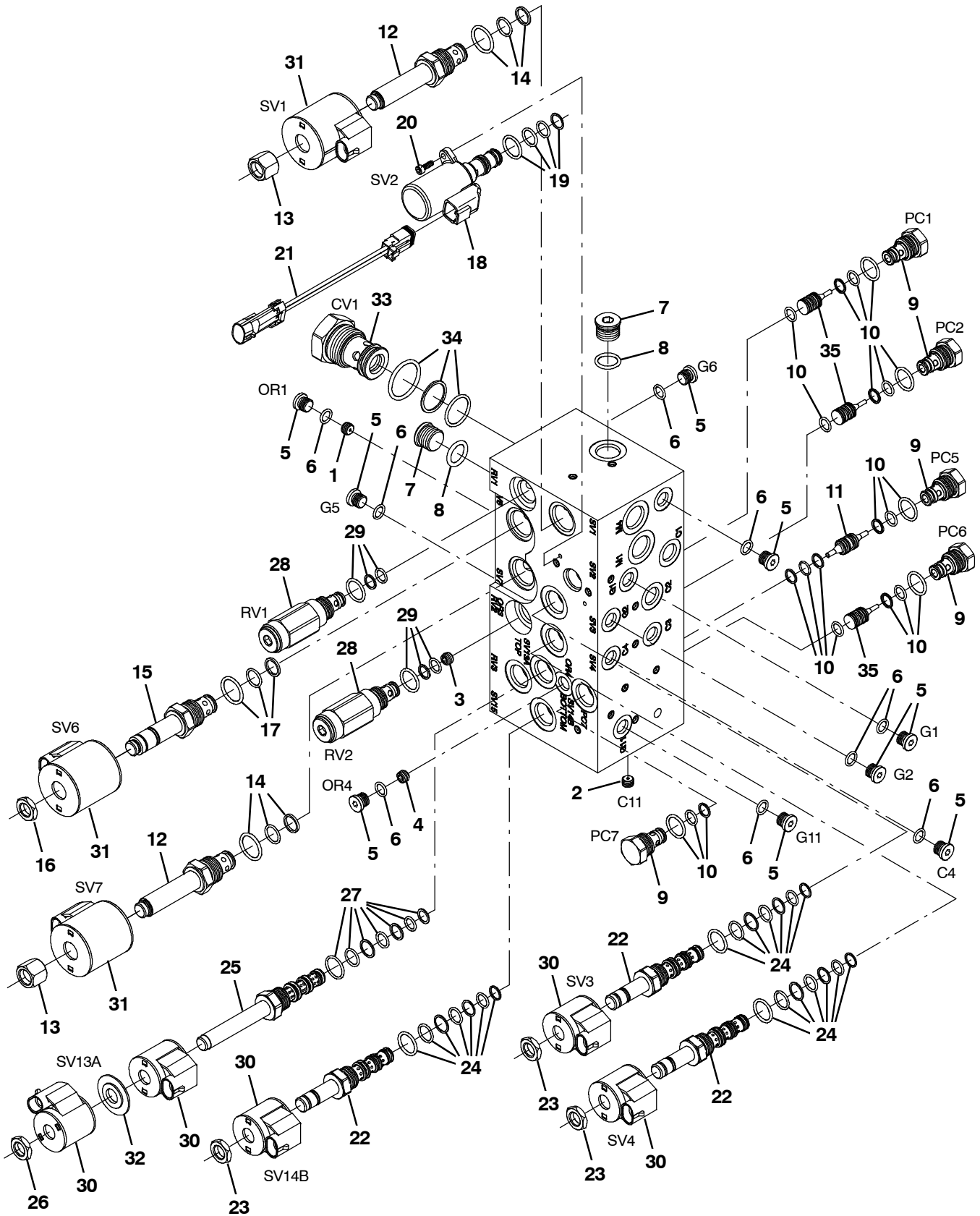


Fig. 13 - Hydraulic Valve Breakdown, 1072995

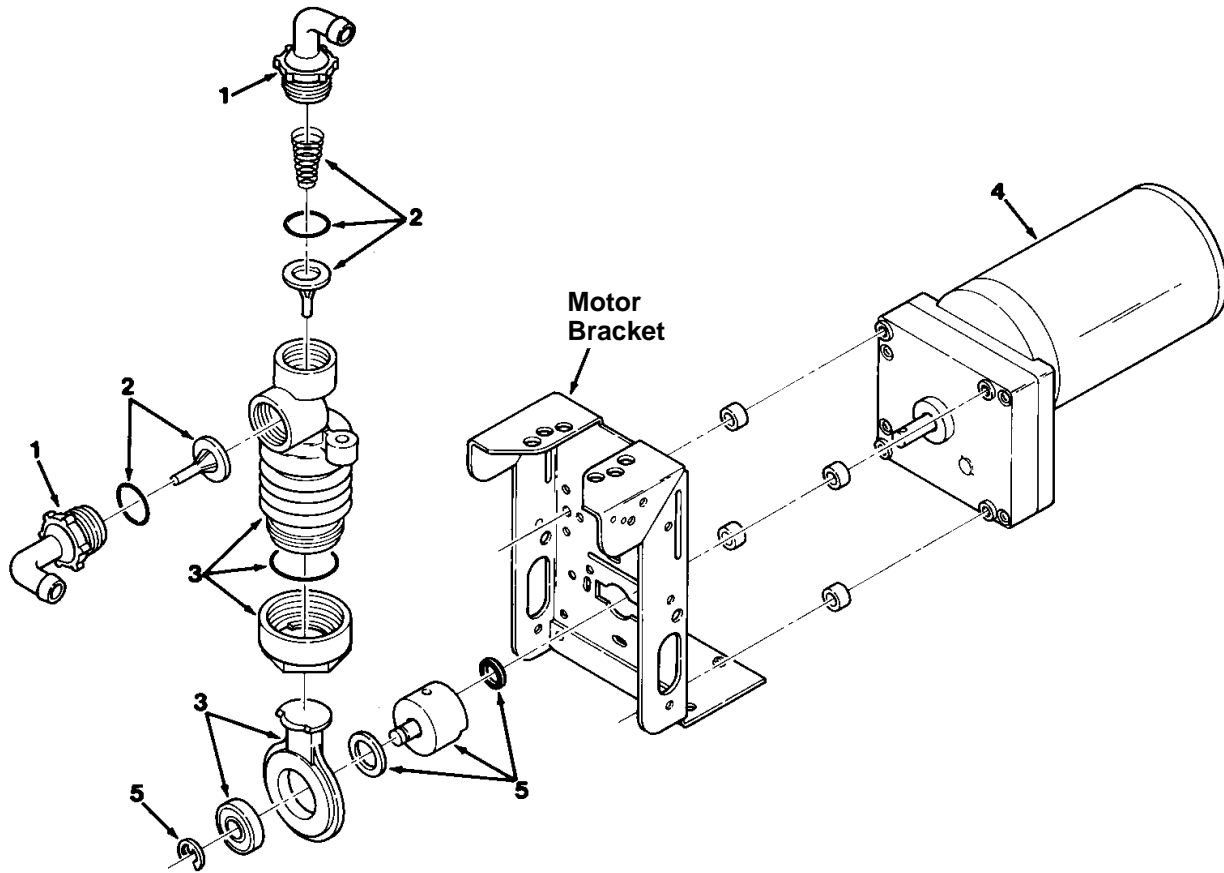
Ref.	Part No.	Serial Number	Description	Qty.
▽	1072995	(000000-	) Valve, Cntrl, Hyd, Solenoid, 12vdc 10gpm	1
▲	1 373665	(000000-	) Plug, Orifice, Valve, Hyd, .046	1
▲	2 373633	(000000-	) Plug, Orifice, Valve, Hyd, .040	1
▲	3 9004475	(000000-	) Plug Orifice, Valve, Hyd, .140	1
▲	4 373660	(000000-	) Plug, Orifice, Valve, Hyd, .030	1
▲▽	5 74098	(000000-	) Fitting, Hyd, Plug, Om04	9
▲▲	6 77003	(000000-	) Seal, Org, .072 X 00.35id #04	1
▲▽	7 13904	(000000-	) Fitting, Plug, Org, #6, Valve [Cec]	2
▲▲	8 77005	(000000-	) Seal, Org, .078 X 00.47id #06	1
▲▽	9 373656	(000000-	) Valve, Check	5
▲▲	10 373647	(000000-	) Seal Kit, Cartridge	1
▲	11 373688	(000000-	) Spool, Pilot, Dual, Hyd	1
▲▽	12 373663	(000000-	) Valve, Stem, No	2
▲▲	13 373670	(000000-	) Nut, Solenoid	1
▲▲	14 373671	(000000-	) Seal Kit, Cartridge	1
▲▽	15 373667	(000000-	) Stem, Valve, Hyd	1
▲▲	16 373648	(000000-	) Nut, Coil, F/#8	1
▲▲	17 373671	(000000-	) Seal Kit, Cartridge	1
▲▽	18 9011347	(000000-	) Valve Assy [Proportional]	1
▲▲	19 9011343	(000000-	) Seal Kit, Valve [Ehpr98]	1
▲▲	20 9011345	(000000-	) Screw, Mtg [Ehpr98]	2
▲▲	21 9011346	(000000-	) Harness, Jumper [Deutsch To Mpack]	1
▲▽	22 373657	(000000-	) Stem, Valve, Hyd [4w2p]	3
▲▲	23 373648	(000000-	) Nut, Coil, F/#8	1
▲▲	24 373647	(000000-	) Seal Kit, Cartridge	1
▲▽	25 373637	(000000-	) Valve, Cntrl, Solenoid	1
▲▲	26 373684	(000000-	) Nut, Coil, Nyl Patch	2
▲▲	27 373671	(000000-	) Seal Kit, Cartridge	1
▲▽	28 373666	(000000-	) Valve, Relief	2
▲▲	29 373647	(000000-	) Seal Kit, Cartridge	1
▲	30 373640	(000000-	) Solenoid, #8, 12vdc	5
▲	31 373642	(000000-	) Solenoid, #10, 12vdc	3
▲	32 373639	(000000-	) Spacer, Coil, #8	1
▲	33 373668	(000000-	) Valve, Check	1
▲	34 373671	(000000-	) Seal Kit, Cartridge	1
▲	35 373658	(000000-	) Spool, Pilot, Hyd	3



Fig. 14 – Hydraulic Steering Valve Breakdown, 1024260

	Ref.	Part No.	Serial Number	Description	Qty.
▽		1024260	(000000–	) Steer–Control, Hyd05, 06.1 2030	1
▲	1	74183	(000000–	) Screw, Valve, Steering	7
▲	2	74185	(000000–	) Cap, End, Valve, Steering	1
▲	3	74193	(000000–	) Spacer, Valve, Steering	1
▲	4	74222	(000000–	) Plate, Wear, Steering Valve	1
▲	5	74232	(000000–	) Pin, Valve, Steering	1
▲	6	21935	(000000–	) Bearing Kit [CI]	1
▲	7	21933	(000000–	) Plug Assy [CI]	1
▲	8	21934	(000000–	) Valve Assy, Relief [CI]	1
▲	9	74243	(000000–	) Ring, Retainer, Steering Valve	1
▲	10	74196	(000000–	) Spring Kit, Scu [CI]	1
▲	11	74244	(000000–	) Seal Kit, Steering [CI]	1
▲	12	74245	(000000–	) Instr, Valve, Steering, Repair	1

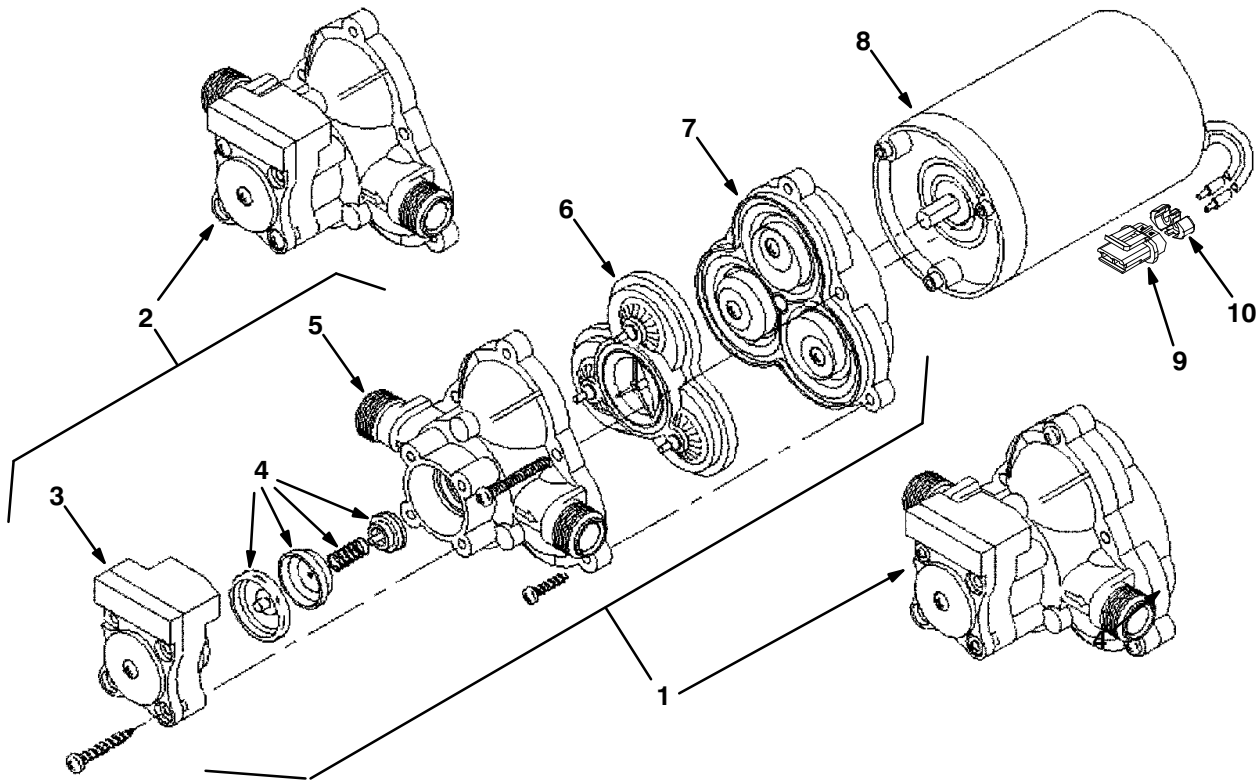
**Fig. 15 – Metering Solution Pump Breakdown, 73260**



00112 – ALL

Ref.	Part No.	Serial Number	Description	Qty.
▽	73260	(000000–	) Pump, Detgt, 14vdc, 150ml/Min 20psi	1
▲	1 63923	(000000–	) Tubing Connctr.Kit, Gorman Pmp	1
▲	2 21659	(000000–	) Valve Kit, Poppet, Gorman Rupp	1
▲	3 21657	(000000–	) Kit, Bellows, Pump, Detgt	1
▲	4 78875	(000000–	) Motor, Ele, Gear, 14vdc, Pump, Detgt	1
▲	5 02430	(000000–	) Crank Kit, Pump, F/79323, Replmt	1

**Fig. 16 – Water Pump Breakdown, 1026743**



07490 – 09670

Ref.	Part No.	Serial Number	Description	Qty.
▽	1026743	(000000–	) Pump, Diaphragm	1
▲	1	1031802	(000000–) Complete Pump Kit, Pump, Repair,	1
▲	2	1031803	(000000–) Hsg & Switch Kit, Pump, Repair,	1
▲	3	1031796	(000000–) Switch Kit, Pump, Repair,	1
▲	4	1031797	(000000–) Check Valve Kit, Pump, Repair,	1
▲	5	1031798	(000000–) Upper Hsg Kit, Pump, Repair,	1
▲	6	1031799	(000000–) Bypass Valve Kit, Pump, Repair,	1
▲	7	1031800	(000000–) Diaphragm Kit, Pump, Repair,	1
▲	8	1031801	(000000–) Motor Kit, Pump, Repair,	1
▲	9	78950	(000000–) Connector, Fem, 02cav, Mp280 Sealed	1
▲	10	78952	(000000–) Lock, Secondary, 2cav, Mp280 Sealed	1
▲		78951	(000000–) Terminal, Fem, Mp280, Sealed, 18–16ga	2
▲		10917	(000000–) Seal, Wire, 14/16ga [Wp / Mp280 Sealed]	2

**Fig. 17 – ec-H2O Module Assembly Breakdown, 9007882**

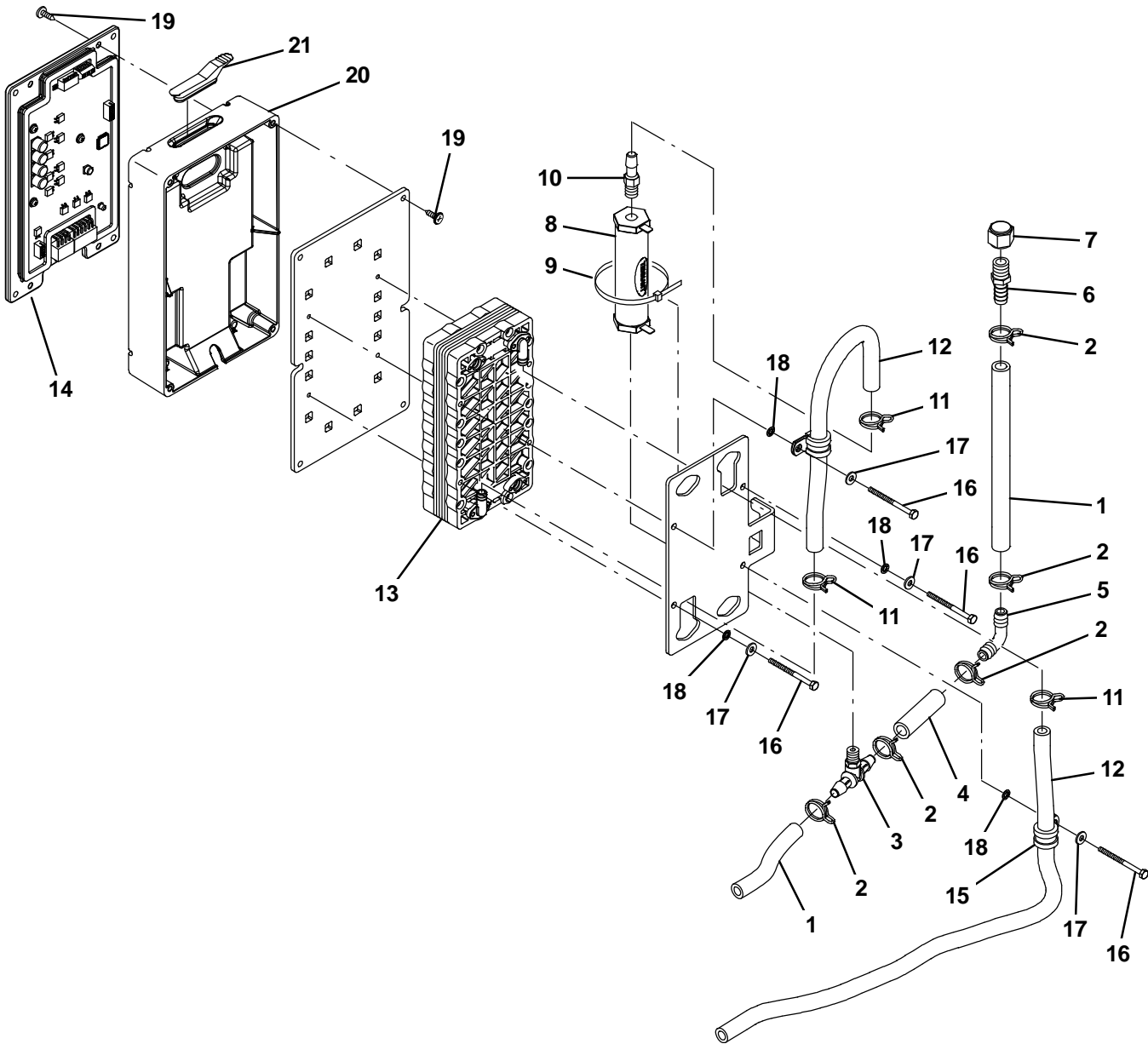
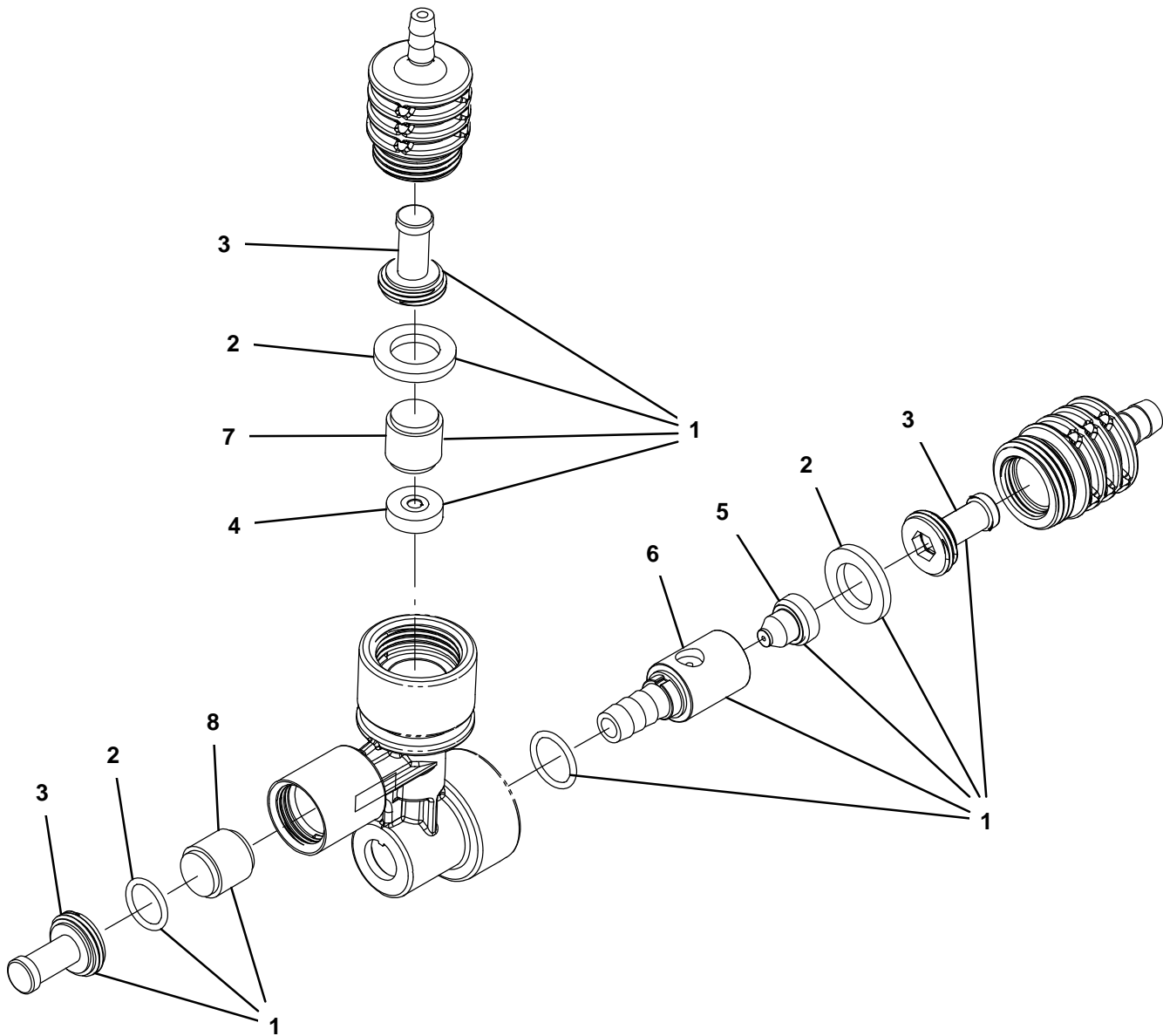


Fig. 17 – ec–H20 Module Assembly Breakdown, 9007882

Ref.	Part No.	Serial Number	Description	Qty.
▽	9007882	(000000–	) Module Kit, Replmt [Ec–H20]	1
▲	1 1014974	(000000–	) Hose, Afmkt, Pvc, Brd, 0.38id, 02ft, Clr	2
▲	2 607775	(000000–	) Clamp, Hose, Wir, .63 – .66, Blk	5
▲	3 1060517	(000000–	) Fitting, Plstc, Tee, Bm06/Pm02/Bm06	1
▲	4 1014971	(000000–	) Hose, Afmkt, Pvc, Brd, 0.38id, 01ft, Clr	1
▲	5 20951	(000000–	) Fitting, Plstc, E90, Bm06/Bm06	1
▲	6 150540	(000000–	) Fitting, Plstc, Str, Bm06/Pm04	1
▲	7 1005435	(000000–	) Fitting, Plstc, Pipe, Cap, Pf04	1
▲	8 1038159	(000000–	) Electrode, Cylindrical	1
▲	9 44961	(000000–	) Tie, Cable, Nyl, 14.5l .30w 4.0 Max D	1
▲	10 1060695	(000000–	) Fitting, Plstc, Str, Pm02/Bm05	1
▲	11 1053464	(000000–	) Clamp, Hose, Wir, .52 – .56, Yel	3
▲	12 1052336	(000000–	) Hose, Afmkt, PVC, Brd, 0.31id, 03Ft, Clr	1
▲	13 1057637	(000000–	) Electrode, 5 Plate, High Flow	1
▲	14 9007883	(000000–	) Controller Kit, Replmt [Ec–H20]	1
▲	15 1016354	(000000–	) Clamp, Cable, Ss, 0.50d X 0.50w [Insul]	2
▲	16 32509	(000000–	) Screw, Hex, M4 X 0.70 X 50, Ss	4
▲	17 41579	(000000–	) Washer, Flat, 08, Ss	4
▲	18 02938	(000000–	) Washer, Lock, Int, 08, Ss	4
▲	19 1018155	(000000–	) Screw, Pan, Phl, M5 X 0.80 X 16, Tcut,Ss	8
▲	20 1037032	(000000–	) Housing, Bottom	1
▲	21 1054776	(000000–	) Grommet, Blind	1

**Fig. 18 – FaST Injector Assembly Breakdown, 9008868**



356271

Ref.	Part No.	Serial Number	Description	Qty.	
▽	9008868	(000000–	) FaST Kit, Injector [M20/T20/m30 FaST III}	1	
▲▽	1	9008757	(000000–	) FaST Kit, Ci [inj Reblid, M30/M20 III]	1
▲▲	2	9008848	(000000–	) FaST Kit, Seal, injector, Ci [FaST III]	1
▲▲	3	9003009	(000000–	) FaST Kit, Ci, Injector Filters[FaST li+]	1
▲▲	4	1059878	(000000–	) Plate Assy, Orifice, 0.0105ld, Green	1
▲▲	5	1042710	(000000–	) Plug, Orifice, 0.060, Ss [FaST li+]	1
▲▲	6	1059234	(000000–	) Insert, :Lrg [Venturi, FaST III]	1
▲▲	7	1030444	(000000–	) Valve, Check, 0002psi [FaST li+]	1
▲▲	8	1030441	(000000–	) Valve, Check, 0005psi [FaST li+]	1

# SECTION 5

<b>Contents</b>	<b>Page</b>
Fig. 1 – Cylinder Head and Valves Group . . .	5-2
Fig. 2 – Crankshaft and Piston Group . . . . .	5-4
Fig. 3 – Oil and Water Pump Group . . . . .	5-6
Fig. 4 – Oil Pan and Filter Group . . . . .	5-8
Fig. 5 – Manifold Group . . . . .	5-9
Fig. 6 – Camshaft Group . . . . .	5-10
Fig. 7 – Ignition Group . . . . .	5-12

Fig. 1 - Cylinder Head and Valves Group

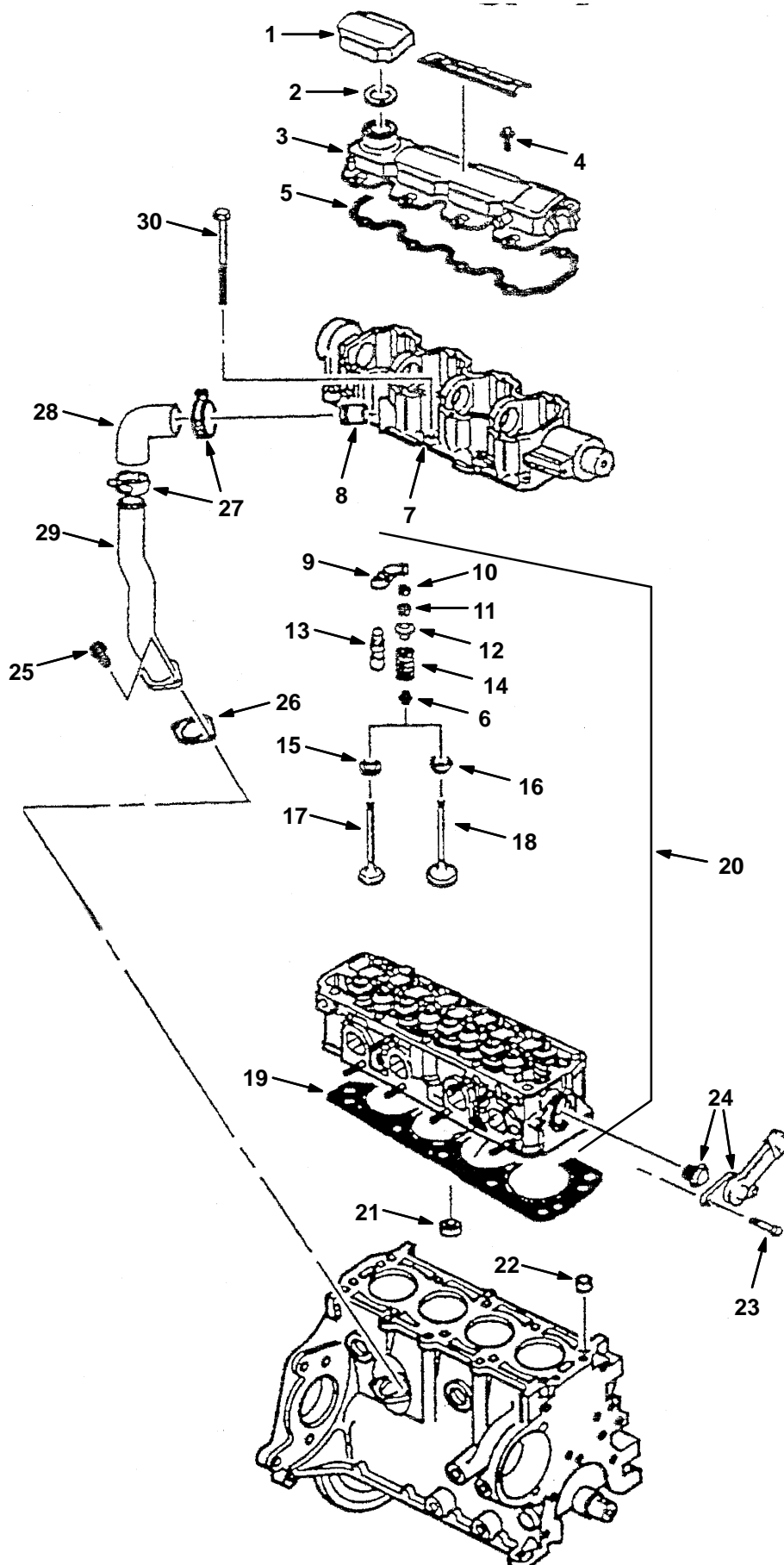
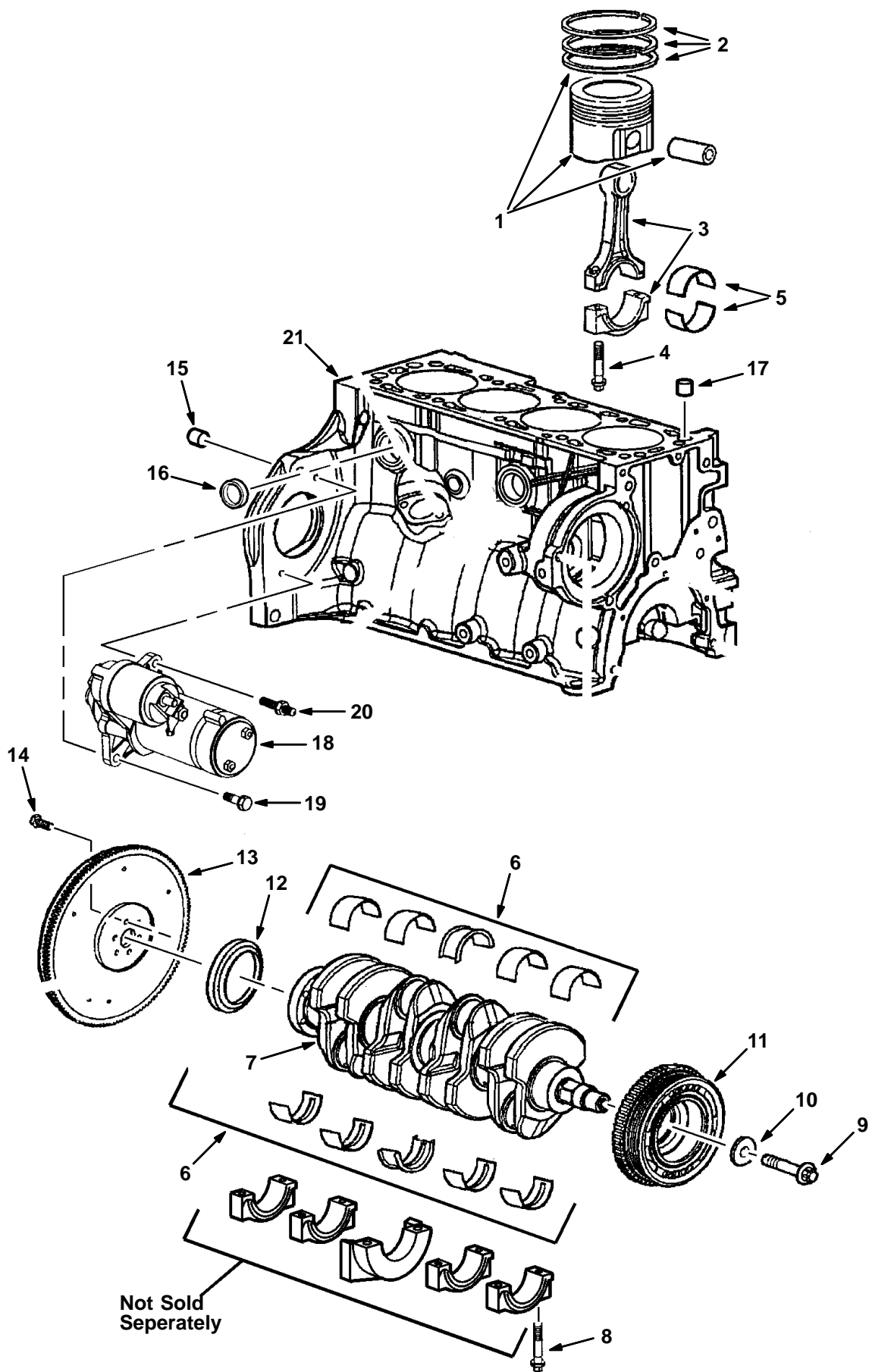


Fig. 1 – Cylinder Head and Valves Group

Ref.	Part No.	Description	Qty.
1	372574	Cap, Filler, Oil, W/ Org	1
2	372573	Seal, Org, Cap	1
3	372007	Cover, Hsng, Camshaft	1
4	371990	Bolt, Camshaft Cover	8
5	372008	Gasket, Cover, Hsng, Camshaft	1
6	9003345	Seal, Seat, Valve	8
7	372018	Housing, Camshaft	1
8	372019	Tube [Pcv]	1
9	372030	Arm, Rocker, Valve	8
10	372031	Seat, Spring, Valve, 0.333	8
11	372033	Key, Valve Stem	16
12	372034	Cap, Spring, Valve	4
13	372035	Screw, Adj, Valve, Hyd	8
14	372036	Spring, Valve	8
15	372037	Seat, Rotator, Valve	4
16	372032	Seat, Spring, Valve	4
17	372038	Valve, Exhaust	4
18	372039	Valve, Intake	1
19	372022	Gasket, Head, Cyl	1
20	372023	Head, Cyl	1
21	372024	Seat, Valve, Exhaust, [+0.2mm]	4
21	372025	Seat, Valve, Exhaust, Std	4
21	372026	Seat, Valve, Exhaust, [+0.4mm]	4
21	372027	Seat, Valve, Intake, Std	4
21	372028	Seat, Valve, Intake, [+0.2mm]	4
21	372029	Seat, Valve, Intake, [+0.4mm]	4
22	371999	Pin, Lock, Cyl Head, 14mm X 17mm	2
23	372048	Bolt, Hsng, Thermostat	2
24	372047	Thermostat, W/ Hsng And Seal	1
25	371957	Bolt, Tube [Pvc], M6 X 1 X 15	2
26	371958	Gasket, Tube [Pcv]	1
27	371954	Clamp, Hose, 1.75 [Pcv]	2
28	371955	Hose [Pcv]	1
29	371956	Tube [Pcv]	1
30	372882	Bolt, Head. Cyl	10

## Fig. 2 - Crankshaft and Piston Group



**Fig. 2 – Crankshaft and Piston Group**

Ref.	Part No.	Description	Qty.
▽	1 371932	Piston, W/ Pin, Std	1
▲	2 371931	Ring Kit, Piston, Std 78.95–79.02mm	4
	3 371934	Rod, Connecting, M08 X 45	4
	4 371935	Bolt, Connecting Rod	8
	5 371933	Bearing Kit, Rod, Connecting, Std	1
	6 371966	Bearing Kit, Cshft, 1.995–2.001mm (Brown Blue)	4
	6 371967	Bearing Kit, Cshft, 2.120–2.126mm	4
	6 371968	Bearing Kit, Cshft, 2.114–2.120mm	4
	6 371969	Bearing Kit, Cshft, 1.989–1.995mm (Brown)	4
	6 371970	Bearing Kit, Cshft, 1.989–1.995mm (Green Blue)	4
	6 371971	Bearing Kit, Cshft, 1.995–2.001mm (Green)	4
	7 371965	Crankshaft	1
	8 371946	Bolt, M10 X 1.50 X 75mm	10
	9 371938	① Bolt, M12 X 1.75 X 62mm	1
	9 384961	② Bolt, Pulley, Cshft	1
	10 371937	Washer, Sheave, Cshft	1
	11 371936	Sheave, Cshft	1
	12 371945	Seal, Oil, Cshft	1
▽	13 371979	Flywheel	1
▲	371977	Gear, Ring, Starter	1
	14 371976	Bolt, Flywheel	6
	15 371978	Pin, Lock, Transmission	2
	16 371942	Plug, Hole, Coolant, Eng Block	6
	17 371999	Pin, Lock, Cyl Head, 14mm X 17mm	2
	18 371962	③ Starter, 12vdc [Gm] (Before Mar. 2006)	1
	18 384963	④ Starter, 12vdc [Delco] (Mar. 2006 and Newer)	1
	19 371963	① Bolt, M08 X 1.25 X 25mm	1
	19 384964	② Bolt, M08 X 1.25 X 25mm	1
	20 371964	Stud, Starter, M08 X 1.25	1
	21 371944	Block, Short, Eng, W/ Piston & Ring	1

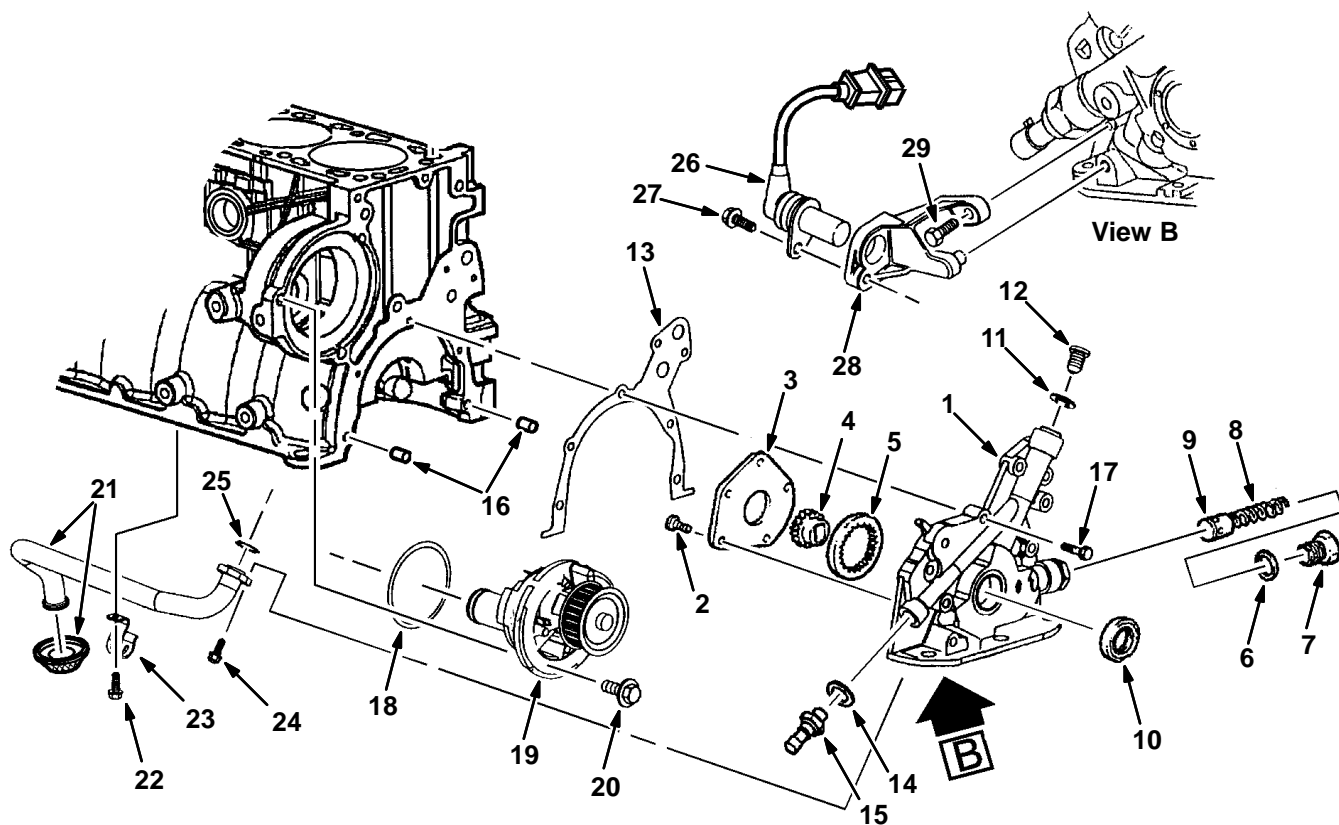
① Serial Number (000000–xxxxxx)

② Serial Number (xxxxxx– )

③ Serial Number (000000000–1PGL13150)

④ Serial Number (1PGL13151– )

Fig. 3 - Oil and Water Pump Group



**Fig. 3 – Oil and Water Pump Group**

Ref.	Part No.	Description	Qty.
▽	1 372572	Pump, Oil	1
▲	2 371947	Bolt, Cover, Oil Pump, M6 X 14	5
▲	3 371948	Cover, Pump, Oil	1
▲	4 371949	Gear, Ring, Drive, Oil Pump	1
▲	5 371950	Gear, Drive, Oil Pump	1
▲	6 371998	Gasket, Plug, Relief Valve, Oil Press	1
▲	7 371994	Plug, Bore, Valve, Relief, Oil Press	1
▲	8 371993	Spring, Valve, Relief, Oil Press	1
	9 371997	Valve, Relief, Oil Press	1
	10 372005	Seal, Org, Oil Pump	1
	11 371951	Seal, Org, Hsng, Oil Pump	1
	12 371952	Plug, Hsng, Oil Pump	1
	13 371984	Gasket, Pump, Oil	1
	14 371987	Seal, Org, Press Switch / Drain Plug	1
	15 371996	③ Switch, Indicator, Oil Press	1
	15 9008197	④ Switch, Indicator, Oil Press [2010]	1
	16 371983	Pin, Ring, Lock, Hsng, Water Pump	2
	17 371986	Bolt, Pump, Oil	6
	18 372567	Seal, Org, Water Pump	1
	19 371981	Pump, Water [Gm]	1
	20 371980	Bolt, Cover, Water Pump	3
	21 372001	Screen, Oil Pump, W/ Suc Pipe	1
	22 371991	Bolt, Bracket, Screen, Oil Pump, M6x1x1	1
	23 372000	① Bracket, Screen, Oil Pump	1
	23 384966	② Bracket, Screen, Oil Pump	1
	24 371990	Bolt, Oil Pump Screen/Camshaft Cover	2
	25 371988	Seal, Ring, Pipe, Suc, Oil Pump	1
	26 372002	Sensor, Position, Cshft	1
	27 384968	Bolt, Bracket, Sensor, Cshft Position	1
	28 372003	Bracket, Sensor, Position, Cshft	1
	29 372004	Bolt, Sensor, Position, Cshft	3

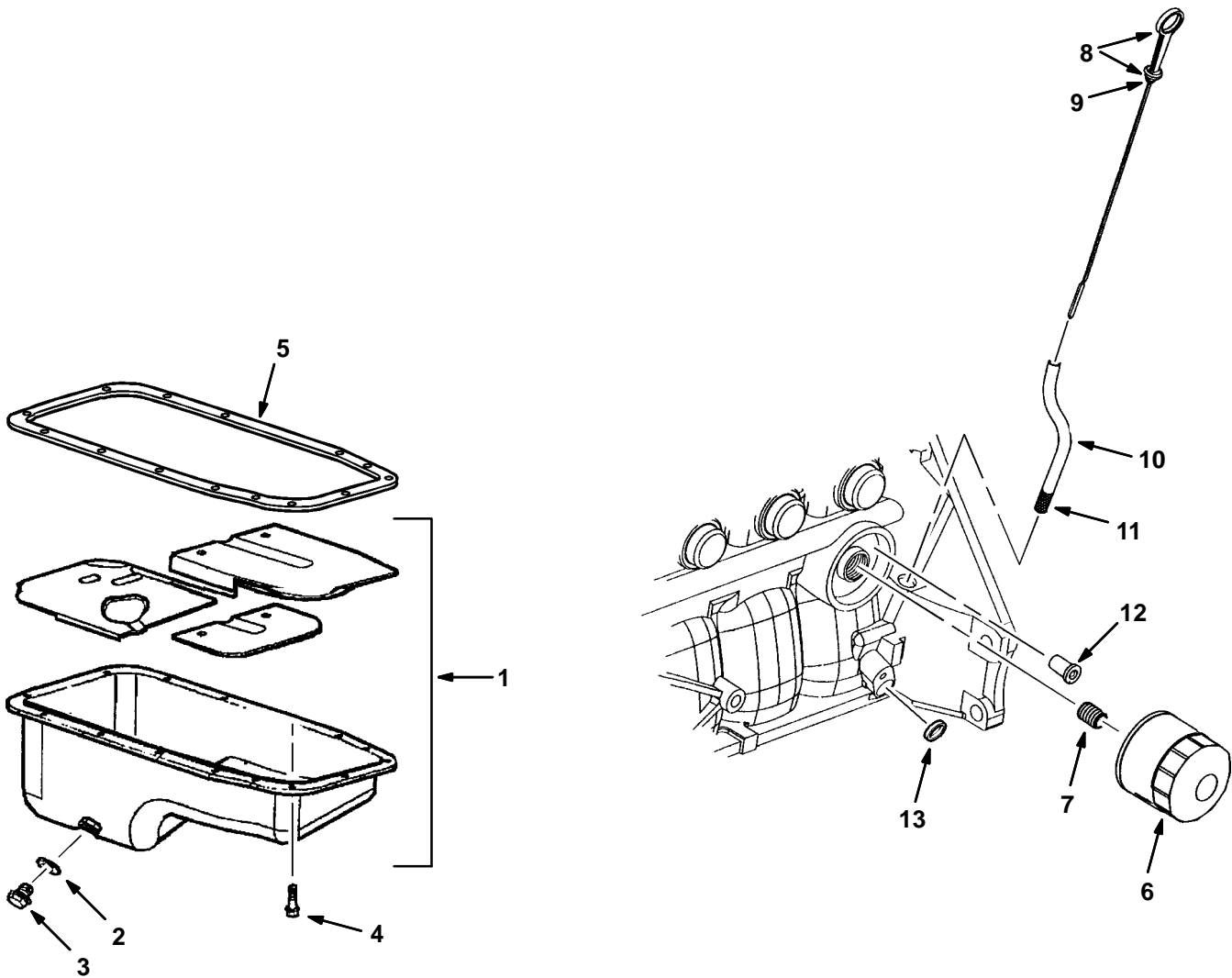
① Serial Number (000000–xxxxxx)

② Serial Number (xxxxxx– )

③ Tennant Serial number (000000–003122)

④ Tennant Serial number (003123– )

## Fig. 4 – Oil Pan and Filter Group



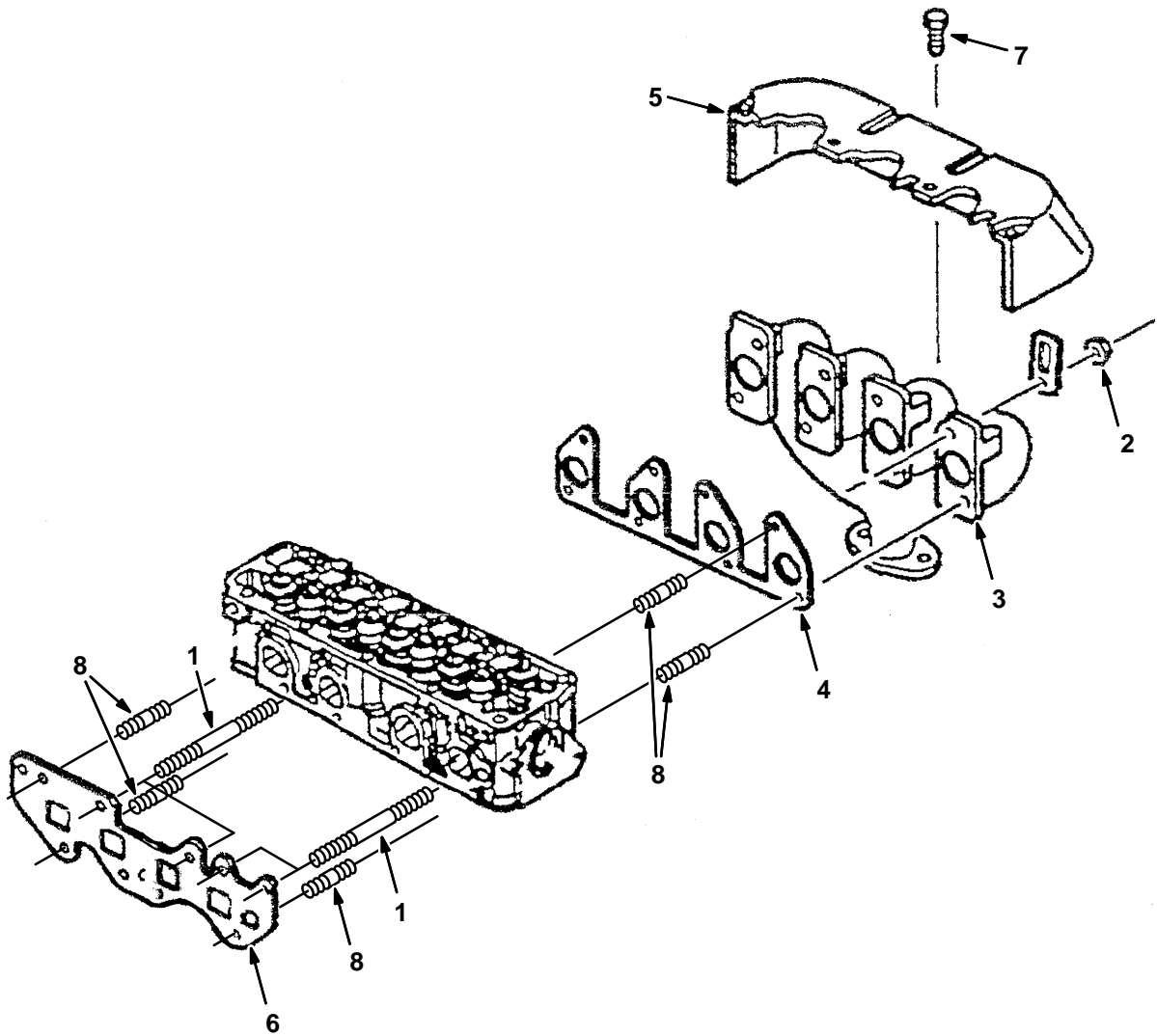
G, LP

Ref.	Part No.	Description	Qty.
▽	1 371960	Pan, Oil, W/ Baffle / Plug / Seal	1
▲	2 371987	Seal, Org, Press Switch / Drain Plug	1
▲	3 371992	Plug, Drain, Oil Pan, M14 X 1.5 X 12	1
	4 371961	① Bolt, M06 X 1.00 X 13mm	15
	4 384962	② Bolt, Pan, Oil	15
	5 371959	Gasket, Pan, Oil	1
	6 371972	Element, Fltr, Oil, Eng, Spin-On	4
	7 371973	Fitting, Fltr, Oil	1
▽	8 372560	Dipstick, Oil	1
▲	9 371995	Seal, Org, Cap, Fltr, Oil	1
	10 371940	Tube, Ds	1
	11 371941	Sealant, Tube, Ds	1
	12 371975	Valve, By-Pass, Oil Fltr	1
	13 371943	Plug, Hole, Core, Eng Block	1

① Serial Number (000000-xxxxxx)

② Serial Number (xxxxxx- )

Fig. 5 – Manifold Group



G, LP

Ref.	Part No.	Description	Qty.
1	372021	Stud, Manifold, M8 X 96	4
2	372049	Nut, Manifold, Exhaust, M8 X 1.25	8
3	372050	Manifold, Exhaust	1
4	372051	Gasket, Manifold, Exhaust	1
5	372052	Shield, Manifold, Exhaust	1
6	372053	Gasket, Manifold, Intake	1
7	372066	Bolt, Shield, Manifold, Exhaust	5
8	372020	Stud, Manifold, M8 X 28	13

Fig. 6 - Camshaft Group

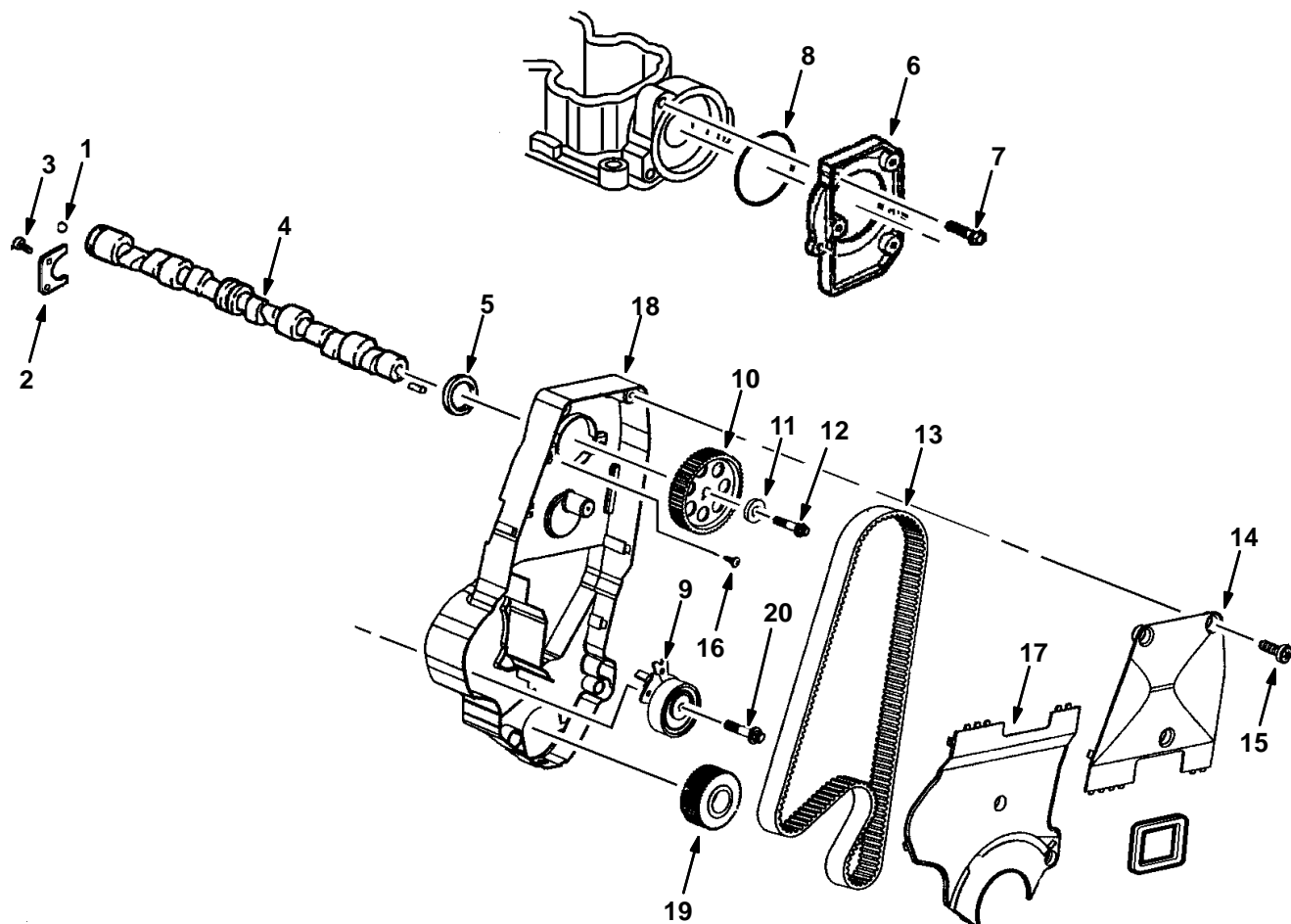
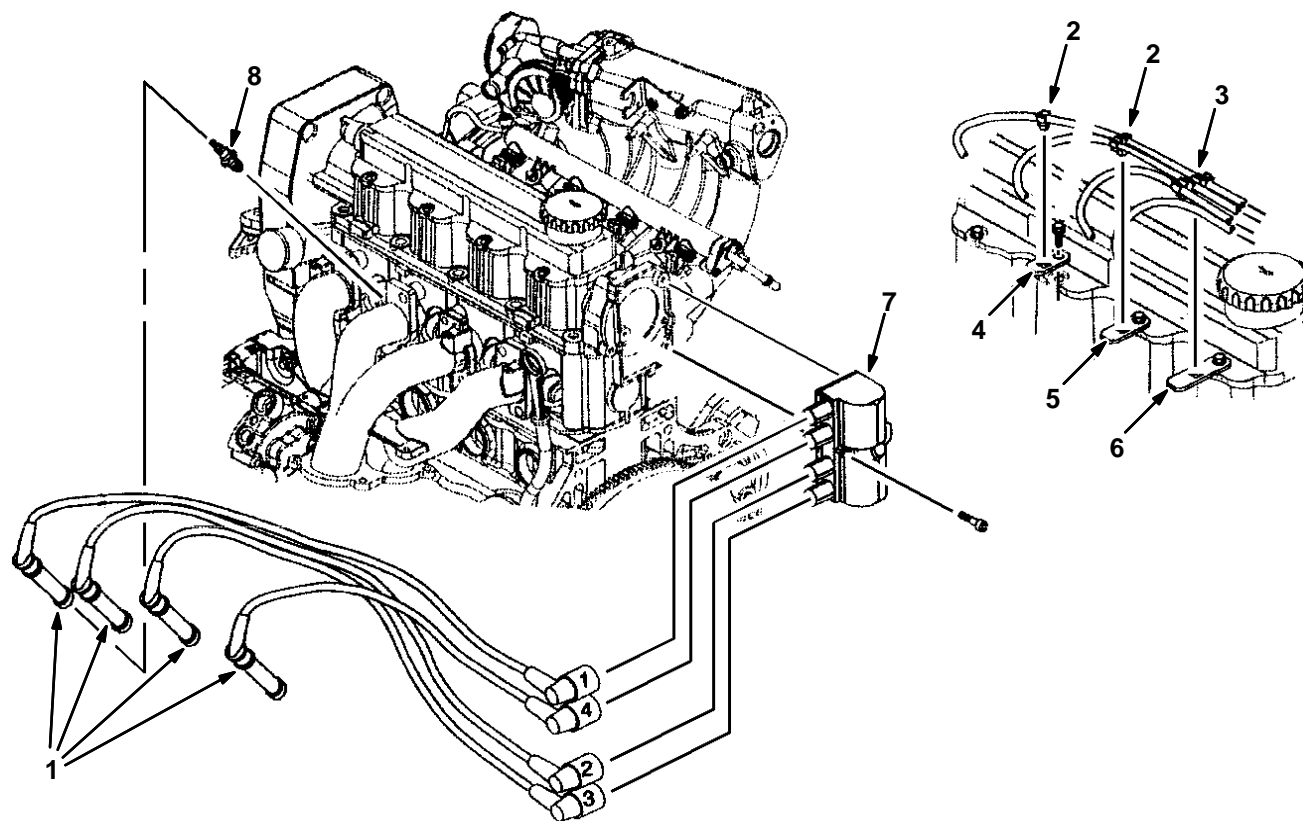


Fig. 6 – Camshaft Group

Ref.	Part No.	Description	Qty.
1	372009	Ball, Camshaft	1
2	372010	Retainer, Camshaft	1
3	372011	Bolt, Retainer, Camshaft, M6 X 1 X 16	2
4	372012	Camshaft	1
5	372013	Seal, Org, Bolt, Cover, Camshaft Hsng	1
6	372014	Cover, Hsng, Camshaft	1
7	372015	Bolt, Cover, Camshaft, M6 X 1 X 22	3
8	372016	Seal, Org, Bolt, Cover, Camshaft Hsng	1
9	9004674	Pulley, Tension, Belt, Timing	1
10	372040	Sprocket, Camshaft	1
11	372017	Washer, Sprkt, Camshaft	1
12	372041	Bolt, Sprocket, Camshaft, M10x1.25x60	1
13	1057029	Belt, Timing [Gm1.6l]	1
14	372043	Cover, Belt, Timing, Upper Front	1
15	371961	Bolt, Eng Cover, M6 X 1 X 13	6
16	372046	Bolt, Tensioner, Timing Belt, M8x1.25x48	1
17	372044	Cover, Belt, Timing, Lower Front	1
18	372616	Housing, Camshaft	1
19	388552	Sprocket, Crankshaft	1
20	9004675	Bolt, Tensioner [GM]	1

Fig. 7 – Ignition Group



G, LP

Ref.	Part No.	Description	Qty.
1	372603	Wire Set, Sparkplug [1.6l]	1
2	372055	Retainer, Sparkplug, 2 Way	2
3	372056	Retainer, Sparkplug, 3 Way	1
4	372057	Bracket, Retaining, Wire, Sparkplug	1
5	372058	Bracket, Retaining, Wire, Sparkplug	1
6	372059	Bracket, Retaining, Wire, Sparkplug	1
7	372060	Coil, Ignition	1
8	372575	Sparkplug	4

# SECTION 6

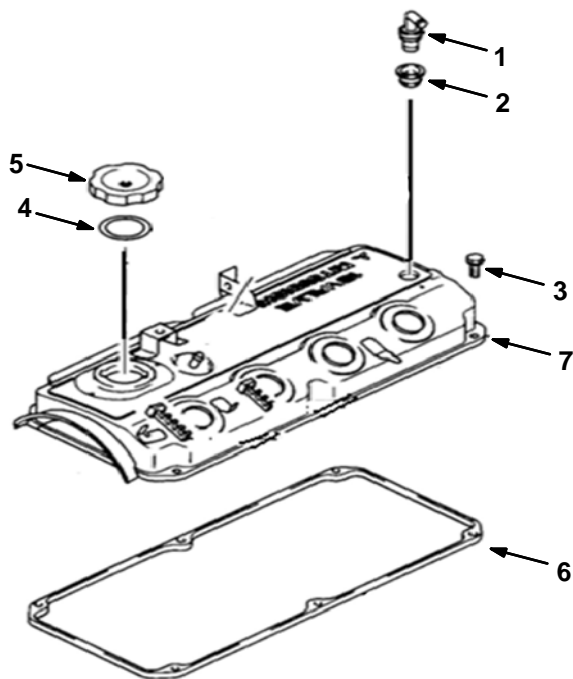
Contents	Page
Fig. 1 – Cylinder Block Group .....	6-2
Fig. 2 – Rocker Cover Group .....	6-4
Fig. 3 – Cylinder Head Group .....	6-5
Fig. 4 – Front Cover and Oil Pan Group ....	6-6
Fig. 5 – Camshaft and Valve Group .....	6-8
Fig. 6 – Piston and Crankshaft Group .....	6-10
Fig. 7 – Balancer Group .....	6-11
Fig. 8 – Oil Pump and Pressure Switch Group .....	6-12
Fig. 9 – Water Pump Group .....	6-13
Fig. 10 – Intake Manifold Gasket Group ...	6-14
Fig. 11 – Exhaust Manifold Gasket Group ..	6-16
Fig. 12 – Fan Tensioner and Pump Mount Group .....	6-17
Fig. 13 – Flywheel Group .....	6-18
Fig. 14 – Ignition Coil and Spark Plug Group .....	6-19
Fig. 15 – Starter / Alternator Group .....	6-20
Fig. 16 – Remote Oil Filter Group .....	6-21
Fig. 17 – Coolant Group .....	6-22
Fig. 18 – DSR Coolant Group, LPG Engine	6-23
Fig. 19 – Electrical Group .....	6-24
Fig. 20 – Fuel Rail Group, Gasoline Engine	6-26
Fig. 21 – Throttle Body Group, Gasoline Engine .....	6-27
Fig. 22 – Throttle Body Group, LPG Engine	6-28
Fig. 23 – Vaporizer Group, LPG Engine ...	6-29
Fig. 24 – Electronic Pressure Regulator (EPR) Group, LPG Engine .....	6-30



**Fig. 1 – Cylinder Block Group**

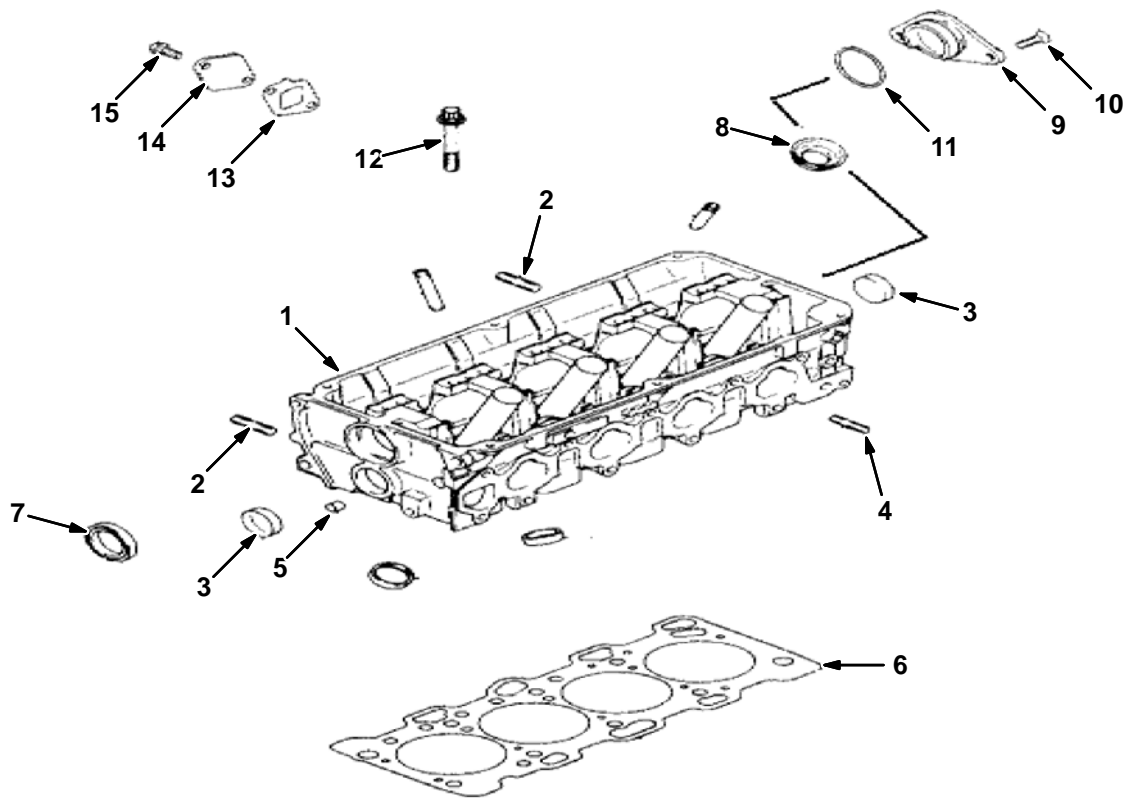
	<b>Ref.</b>	<b>Part No.</b>	<b>Description</b>	<b>Qty.</b>
▽	1	9010419	Block Assy, Cylinder	1
▲	2	9010420	Plug, Taper	2
▲	3	9010421	Plug, Taper	1
▲	4	9010422	Plug	1
▲	5	9010423	Plug, Taper	1
▲	6	9010424	Cap, Seal	7
▲	7	9010425	Cap, Seal	2
▲	8	9010426	Pin, Dowel	2
▲	9	9010427	Bushing, Knock	2
▲	10	9010428	Bolt, Cap, Bearing	2
▲	11	9010429	Bolt, Cap, Bearing	7
▲	12	9010430	Bolt, Cap, Bearing	1
▲	13	9010431	Bushing	2
▲	14	9010432	Bearing, Std, Balancer	1
▲	14	9010433	Bearing, Oversize [1.0]	1
▲	15	9010434	Bearing, Std, Balancer	1
▲	15	9010435	Bearing, Oversize [1.0]	1
▲	16	9010436	Bushing, Knock	2
▲	17	9010458	Bearing, Shaft, Std, Balancer	1
▲	17	9010459	Bearing, Shaft, Balancer [ OvrSz]	1
▽	18	9010439	Dipstick Assy, Guage	1
▲	19	9010440	Dipstick, Guage, Guide	1
▲▽	20	9010437	Dipstick, Rod, Guage	1
▲▲	21	9010438	O-Ring	1
	22	9010441	Bolt, Flange	1
	23	9010442	O-Ring	1
	24	9010444	Bolt, Flange	5
	25	9010445	Seal, Case, Oil, Rear	1
	26	9010446	Seal, Oil	1
	27	9010447	Bearing, Cshft [Green Std 1,2,4,5]	4
	27	9010448	Bearing, Cshft [Yellow Std 1,2,4,5]	4
	27	9010449	Bearing, Cshft[No Color Std 1,2,4,5]	4
	27	9010450	Bearing, Cshft [ Lan Std 1,2,4,5]	4
	27	9010451	Bearing, Cshft [ Red Std 1,2,4,5]	4
	28	9010452	Bearing, Cshft [ Green Std 3]	1
	28	9010453	Bearing, Cshft [ Yellow Std 3]	1
	28	9010454	Bearing, Cshft [ No Color Std 3]	1
	28	9010455	Bearing, Cshft [ Lan Std 3]	1
	28	9010456	Bearing, Cshft [ Black Std 3]	1
	29	9010457	Bearing, Thrust, Cshft	1
	30	9010443	Drain, Water, Joint	1

Fig. 2 – Rocker Cover Group



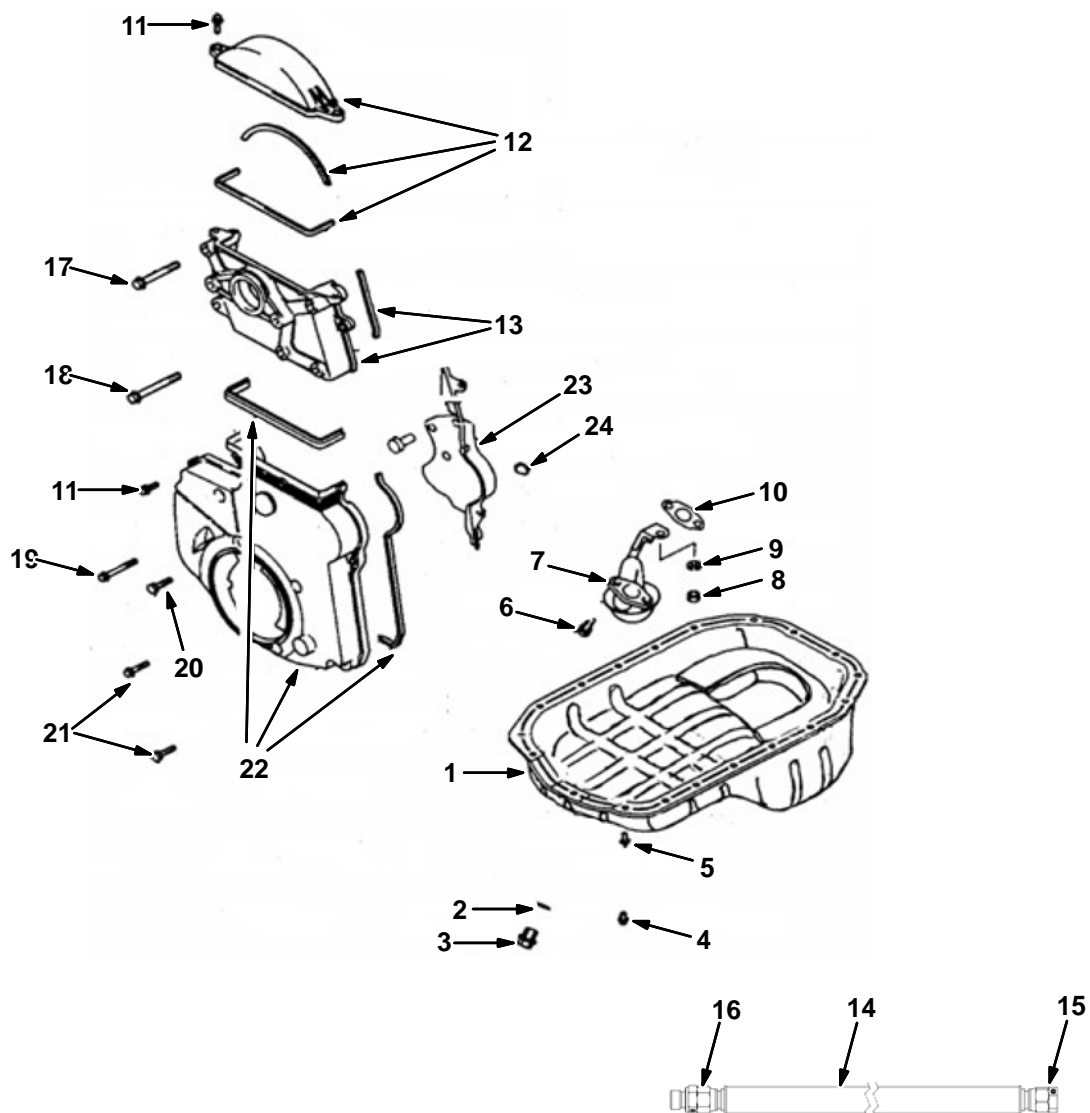
Ref.	Part No.	Description	Qty.
1	9010460	Valve, Pcv	1
2	9010461	Valve, Gasket, Pcv	1
3	9010462	Bolt, Rocker, Cover	6
4	9010463	Gasket, Oil, Filler, Cap	1
5	9010464	Cap, Oil, Filler	1
6	9010465	Gasket, Cover, Rocker	1
7	9010466	Cover Assy, Rocker	1

Fig. 3 – Cylinder Head Group



Ref.	Part No.	Description	Qty.	
▽	1	9010467	Head Assy, Cylinder	1
▲	2	9010473	Stud	2
▲	3	9010469	Seal, Cap	2
▲	4	9010470	Stud	3
▲	5	9010431	Bushing	2
	6	9010468	Gasket, Cylinder, Hear	1
	7	9010471	Seal, Oil	1
	8	9010479	Seal, Oil	4
	9	9010480	Thurst, Case	1
	10	9010481	Screw	2
	11	9010482	O-Ring	1
	12	9010484	Cylinder Assy, Head, Bolt	10
	13	9010483	Gasket	1
	14	9010485	Cover	1
	15	9010441	Bolt, Flange	2

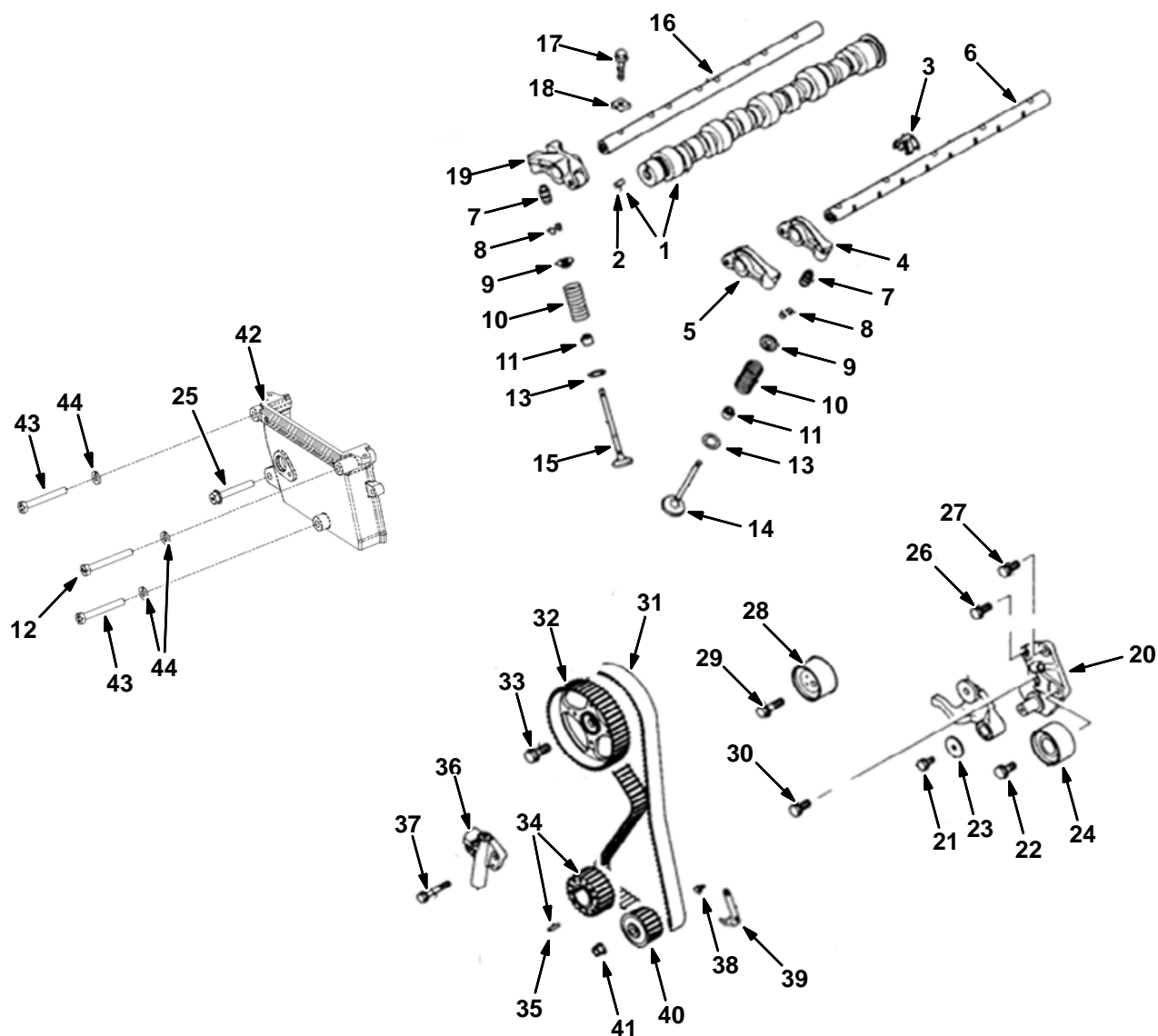
## Fig. 4 – Front Cover and Oil Pan Group



**Fig. 4 – Front Cover and Oil Pan Group**

	<b>Ref.</b>	<b>Part No.</b>	<b>Description</b>	<b>Qty.</b>
▽	1	9010487	Pan, Oil	1
▲	2	9010488	Gasket, Plug, Drain, Oil	1
▲	3	9010489	Plug, Oil, Drain	1
	4	9010490	Bolt, Flange	17
	5	9010491	Bolt, Flange	2
	6	9010492	Washer, Bolt	2
	7	9010493	Screen, Oil	1
	8	9010494	Nut, Strainer	1
	9	9010495	Washer, Strainer	1
	10	9010496	Gasket, Screen	1
	11	9010497	Bolt, Flange	8
	12	9010498	Cover Assy, Front, Upper [T-Belt]	1
	13	9010502	Bracket Assy, Coil, Ignition	1
	14	9010311	Hose, Drain, Oil [Mit 20/24m]	1
	15	9010312	Plug, Flare, 37deg [Mit]	1
	16	9010313	Fitting, 37deg [Mit]	1
	17	9010503	Bolt, Flange	3
	18	9010504	Bolt, Flange	1
	19	9010505	Bolt, Flange	1
	20	9010506	Bolt	2
	21	9010507	Bolt	2
	22	9010508	Cover, Lower, Front [T-Belt]	1
	23	9010511	Cover, Rear [T-Belt]	1
	24	9010512	Plug, Rubber	1

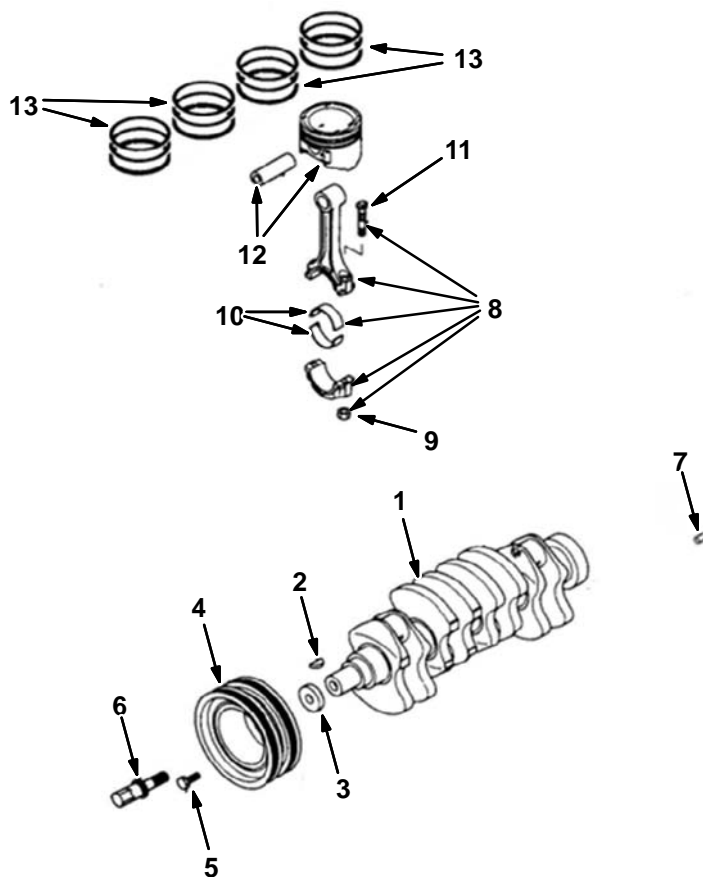
Fig. 5 - Camshaft and Valve Group



**Fig. 5 – Camshaft and Valve Group**

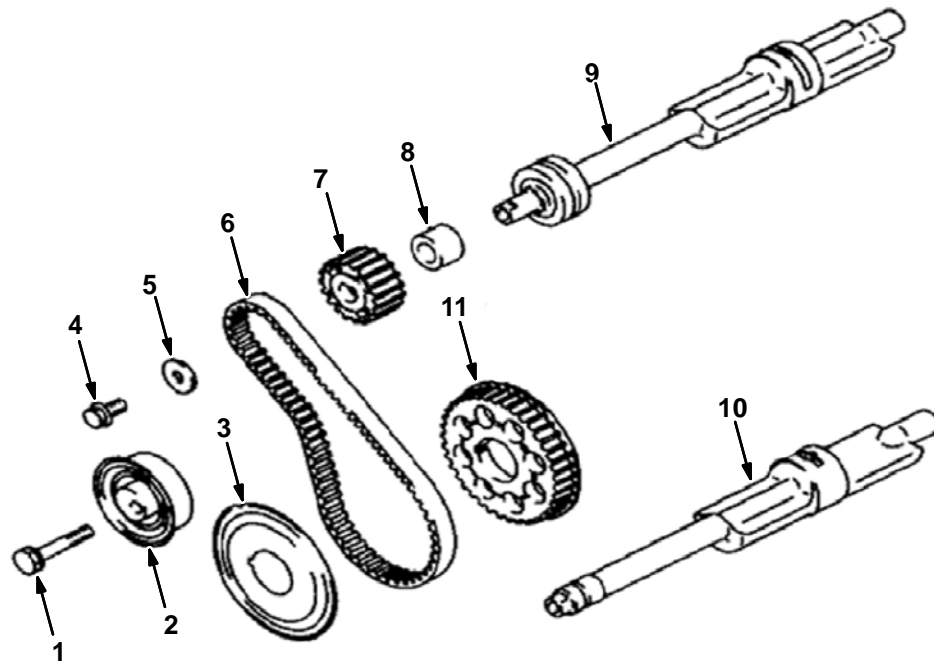
	<b>Ref.</b>	<b>Part No.</b>	<b>Description</b>	<b>Qty.</b>
▽	1	9010530	Camshaft Assy	1
▲	2	9010535	Pin, Dowel	1
	3	9010532	Shaft, Spring, Rocker	4
	4	9010533	Arm Assy, Rocker [B]	4
	5	9010534	Arm Assy, Rocker [A]	4
	6	9010531	Shaft, Arm , Rocker	1
	7	9010536	Adjuster Assy, Lash	16
	8	9010537	Valve, Spring, Lock	32
	9	9010538	Valve, Spring, Retainer	16
	10	9010539	Valve, Spring	16
	11	9010540	Valve, Seal, Stem	16
	12	9010253	Bolt, M8–1.25 X 70 Hxhd [Mit]	1
	13	9010541	Valve, Spring, Seat	16
	14	9010542	Valve, Inlet	8
	15	9010543	Valve, Exhaust	8
	16	9010544	Shaft, Arm, Rocker	1
	17	9010545	Bolt, Flange	13
	18	9010546	Shaft, Cap, Rocker	13
	19	9010547	Arm Assy, Rocker [C]	4
▽	20	9010548	Bracket, Pulley, Tensioner	1
▲	21	9010549	Bolt, Washer	1
▲	22	9010550	Bolt, Washer	1
▲	23	9010551	Washer	1
▲	24	9010552	Pulley, Idler	1
	25	9010254	Bolt, M8–1.25 X 55 Fi Hd [Mit]	1
	26	9010554	Bolt, Seal	1
	27	9010555	Bolt, Washer	1
	28	9010556	Pulley, Tensioner	1
	29	9010557	Bolt, Washer	1
	30	9010550	Bolt, Washer	1
	31	9010559	Belt, Timing	1
	32	9010560	Sprocket, Camshaft	1
	33	9010561	Bolt, Flange	1
▽	34	9010562	Sprocket Assy, Cshft	1
▲	35	9010563	Pin, Spring	1
	36	9010564	Tensioner	1
	37	9010565	Bolt, Flange	2
	38	9010491	Bolt, Flange	2
	39	9010567	Bracket, Indicator, Timing	1
	40	9010568	Sprocket, Pump, Oil	1
	41	9010569	Nut	1
	42	9010250	Cover, Timing, Gear [Mit 2.0/2.4l]	1
	43	9010251	Bolt, M8–1.25 X 65 Hxhd [Mit]	2
	44	9010252	Washer, Lock, M8 [Mit]	3

Fig. 6 – Piston and Crankshaft Group



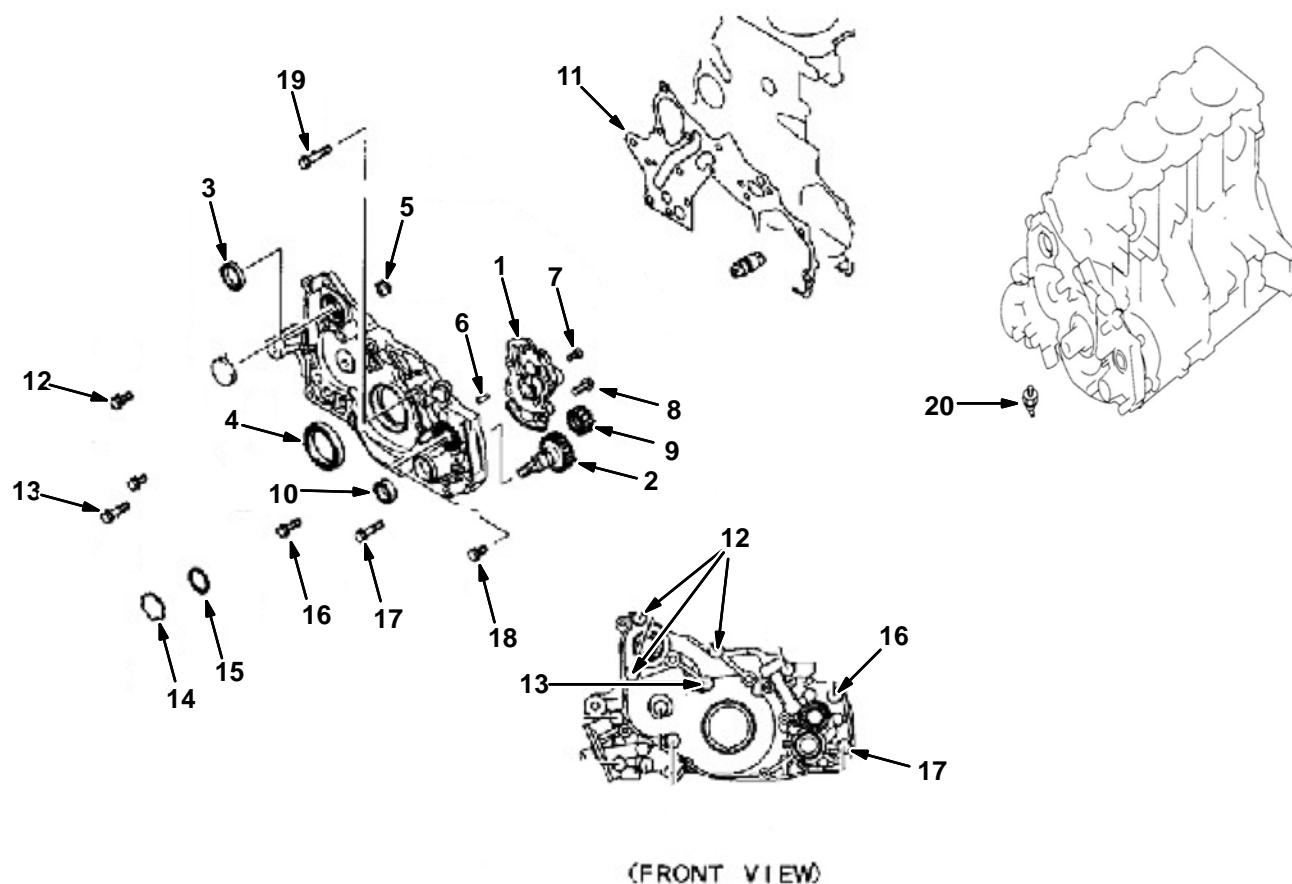
Ref.	Part No.	Description	Qty.	
1	9010513	Crankshaft Assy	1	
2	9010514	Key	1	
3	9010515	Washer, Special	1	
4	9010516	Pulley Assy, Damper, Torsional	1	
5	9010517	Bolt, Washer	4	
6	9010518	Bolt, Sprocket, Cshft	1	
7	9010519	Pin, Dowel	1	
▽	8	9010520	Rod Assy, Connecting	4
▲	9	9010521	Nut	8
▲	10	9010522	Bearing, Rod, Connect [Yellow Std]	4
▲	10	9010523	Bearing, Rod, Connect [No Color Std]	4
▲	10	9010524	Bearing, Rod, Connect [ Lan Std]	4
▲	11	9010525	Bolt, Connecting	8
	12	9010526	Piston, Pin [Std A]	4
	12	9010527	Piston, Pin [Std B]	4
	12	9010528	Piston, Pin [Std C]	4
	13	9010529	Piston Set, Ring	1

Fig. 7 – Balancer Group



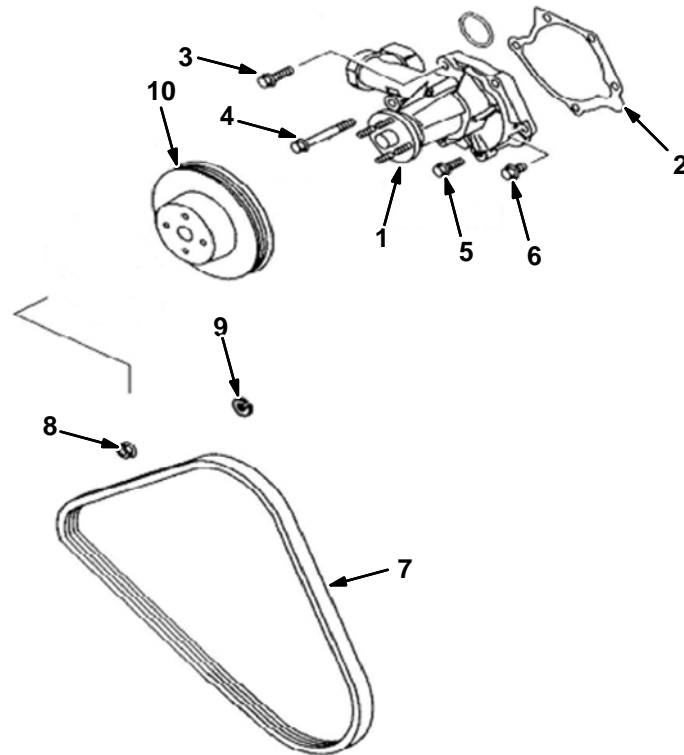
Ref.	Part No.	Description	Qty.
1	9010570	Bolt, Belt, Balancer, Train	1
2	9010571	Tensioner, Timing, Belt	1
3	9010572	Flange, Sprocket, Cshft	1
4	9010600	Bolt, Flange	1
5	9010574	Washer, Belt, Balancer, Train	1
6	9010575	Belt, Timing	1
7	9010576	Sprocket, Shaft, Balancer	1
8	9010577	Spacer, Belt, Balancer, Train	1
9	9010578	Shaft, Right, Balancer	1
10	9010579	Shaft, Left, Balancer	1
11	9010580	Sprocket, Cshft	1

Fig. 8 – Oil Pump and Pressure Switch Group



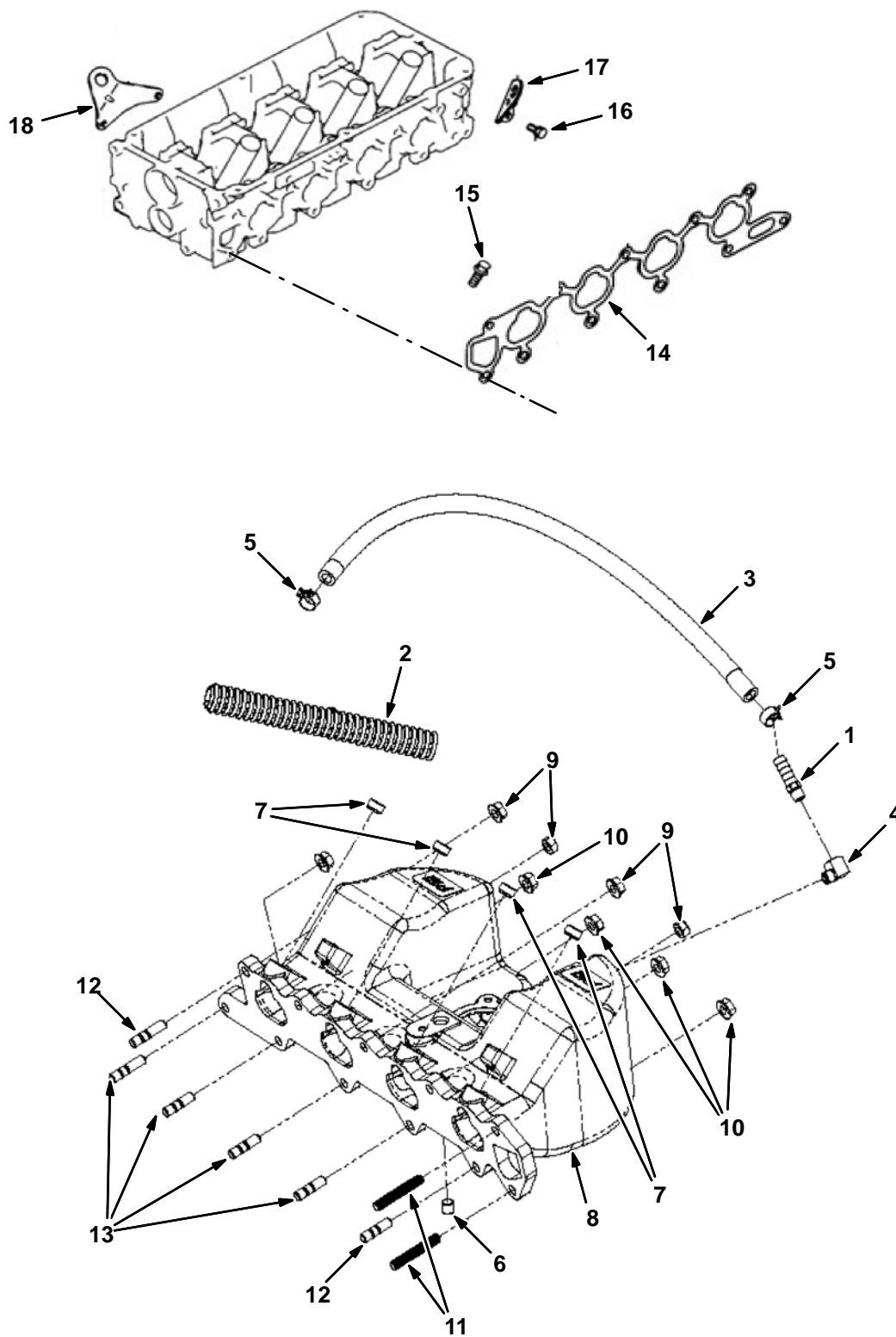
Ref.	Part No.	Description	Qty.	
▽	1	9010582	Pump, Oil	1
▲	2	9010592	Pump, Gear, Drive, Oil	1
▲	3	9010585	Seal, Oil	1
▲	4	9010586	Seal, Oil	1
▲	5	9010587	Plug, Tapper	1
▲	6	9010426	Pin, Dowel	2
▲	7	9010589	Screw	1
▲	8	9010590	Bolt, Flange	4
▲	9	9010591	Pump, Gear, Oil	1
▲	10	9010601	Seal, Oil	1
	11	9010593	Gasket, Case, Front	1
	12	9010594	Bolt, Washer	3
	13	9010595	Bolt, Washer	1
	14	9010596	Plug, Cap	1
	15	9010597	O-Ring	1
	16	9010598	Bolt, Flange	1
	17	9010599	Bolt, Flange	1
	18	9010600	Bolt, Flange	1
	19	9010583	Bolt, Flange	1
	20	9010581	Switch, Pressure, Oil	1

**Fig. 9 – Water Pump Group**



Ref.	Part No.	Description	Qty.
1	9010602	Pump, Water	1
2	9010603	Gasket, Pump, Water	1
3	9010604	Bolt, Flange	1
4	9010503	Bolt, Flange	1
5	9010606	Bolt, Flange	2
6	9010607	Bolt, Flange	1
7	9010608	Belt, Ribbed [V]	1
8	9010609	Nut, Flange	4
9	9010610	Washer, Spring	4
10	9010612	Pulley, Pump, Water	1

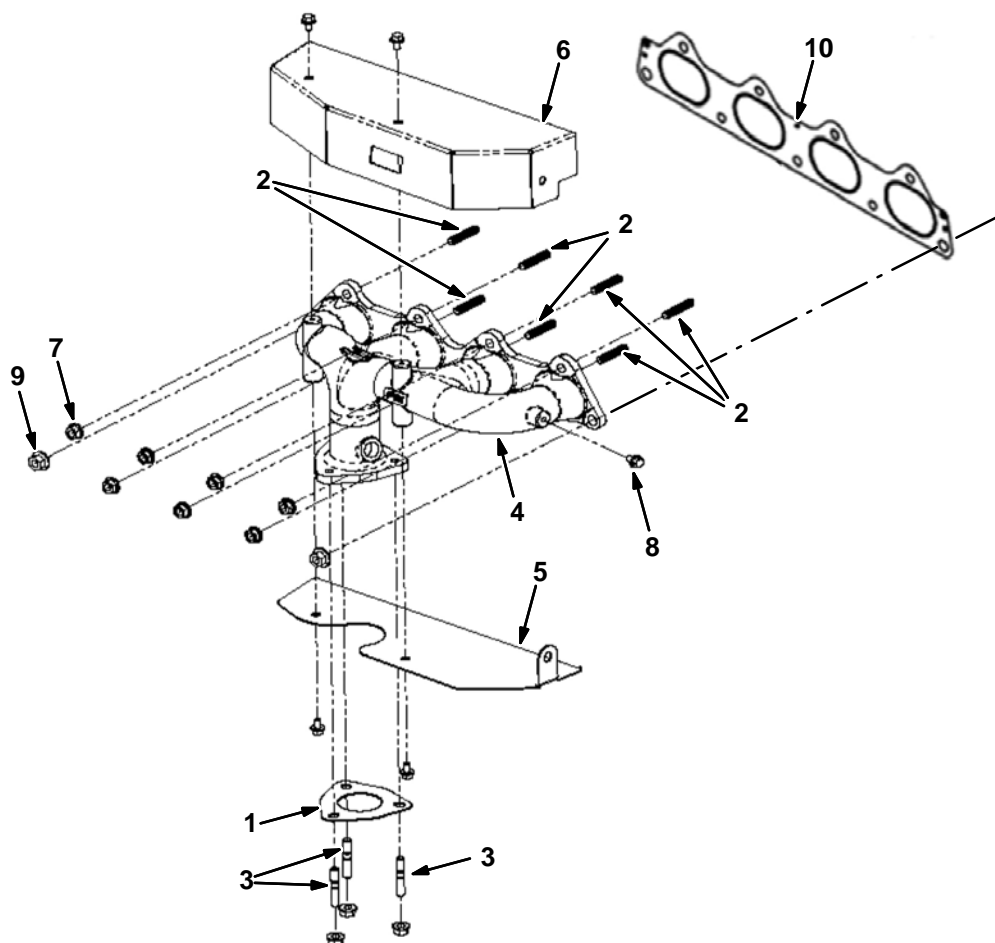
**Fig. 10 – Intake Manifold Gasket Group**



**Fig. 10 – Intake Manifold Gasket Group**

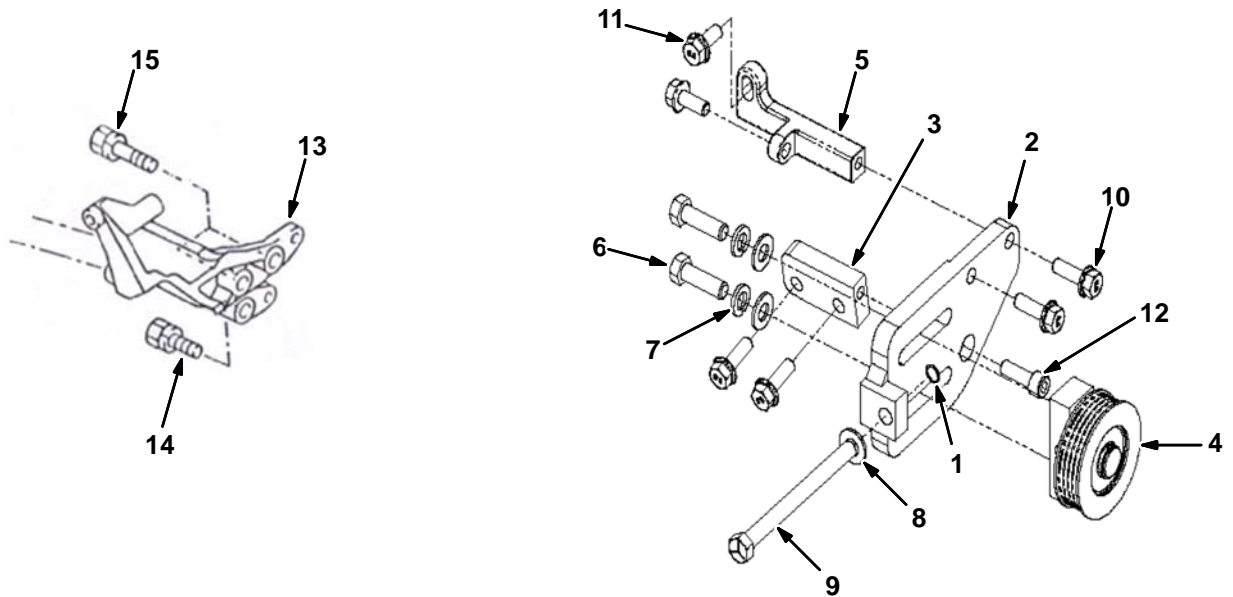
<b>Ref.</b>	<b>Part No.</b>	<b>Description</b>	<b>Qty.</b>
1	9010382	Fitting, 1/8 Mpt X 3/8 Hb [Mit]	1
2	9010281	Loom, Convoluted, Split 5/8 [Mit]	17"
3	385001	Hose, Fuel, .38d, Rbr[16"L]	20"
4	9010383	Elbow, 1/8m X 1/8f, 90 [Mit]	1
5	9010282	Clamp, 3/8id [Mit Olive Green]	2
6	9010283	Plug, 1/8 Npt, Brs, Skt Hd [Mit]	1
7	9010284	Plug, Injector [Mit]	4
8	9010285	Manifold, Intake [Mit 20/24m Tilt]	1
9	9010286	Nut, M8-1.25 [Mit]	2
10	385015	Nut, Flng, M8	7
11	9010287	Stud, M8-1.25 X 50 Full Thrd [Mit]	2
12	9010288	Stud, M8-1.25 X 35 [Mit Double End]	2
13	9010384	Stud, M8-1.25 X 30 [Mit Double End]	4
14	9010613	Gasket, Manifold, Intake	1
15	9010606	Bolt, Flange	2
16	9010615	Bolt, Manifold, Inlet	1
17	9010617	Hanger, Engine	1
18	9010618	Hanger, Engine	1

**Fig. 11 – Exhaust Manifold Gasket Group**



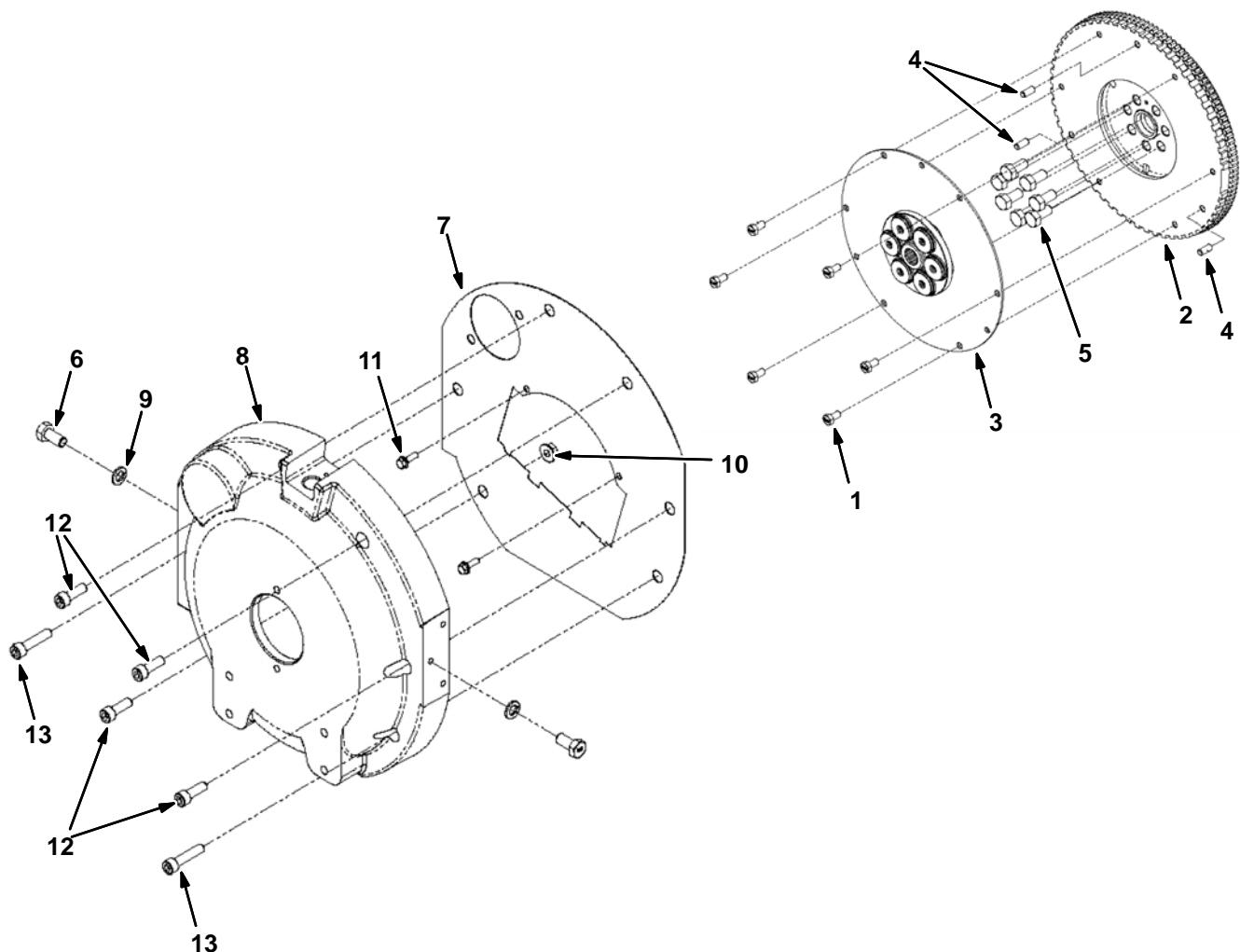
Ref.	Part No.	Description	Qty.
1	9010296	Gasket, Manifold, Exh [Mit]	1
2	9010297	Stud, M8-1.25 X 40 [Mit]	7
3	372020	Stud, Manifold, Intake, M8 X 28	3
4	9010298	Manifold, Exhaust [Mit 2.0/2.4]	1
5	9010302	Shield, Heat, Lower [Mit 20/24m]	1
6	9010303	Shield, Heat, Upper [Mit 20/24m]	1
7	385015	Nut, Flng, M8	10
8	9010262	Bolt, M6-1.0 X 10 Fl Hd [Mit]	5
9	9010239	Nut, M10-1.25 Flg [Mit]	2
10	9010619	Gasket, Manifold, Exhaust	1

Fig. 12 – Fan Tensioner and Pump Mount Group



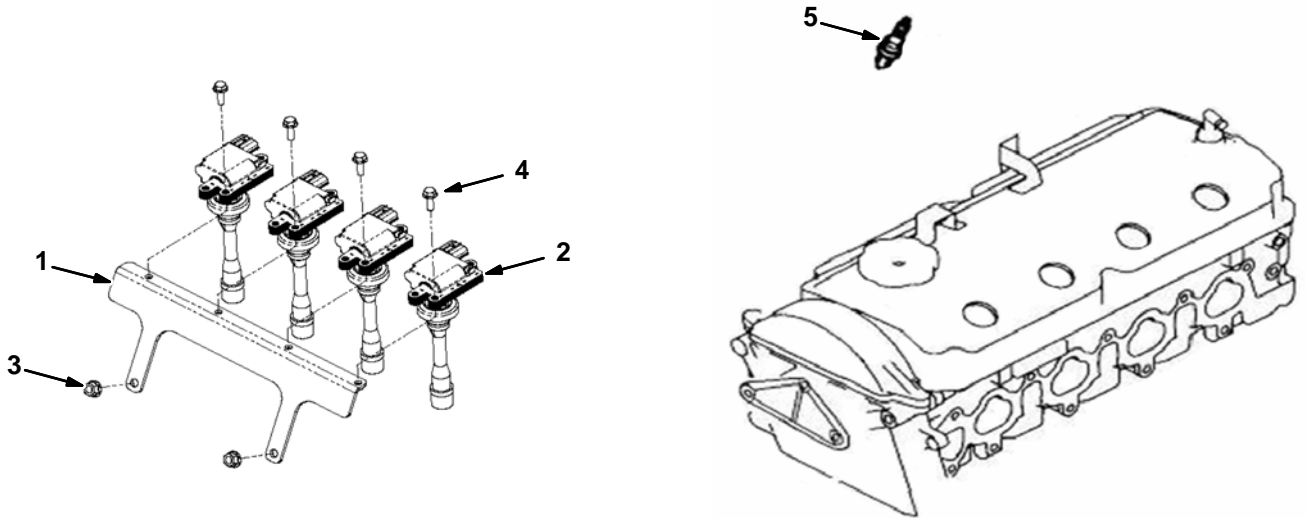
Ref.	Part No.	Description	Qty.
1	371562	Ring, Retaining	1
2	9010222	Plate, Tensioner, Adj [Mit 2.0/2.4]	1
3	9010223	Bar, Tensioner, Mtg [Mit 2.0/2.4]	1
4	9010224	Pulley, Tensioner, Assy[Mit2.0/2.4]	1
5	9010225	Bracket, Tensioner, [Mit 2.0/2.4]	1
6	9010226	Bolt, 3/8-16 X 1 1/4 Hxhd [Mit]	2
7	371509	Washer, Lock, 0.38	2
8	9010227	Washer, Flat 3/8, Sae	3
9	9010228	Bolt, 3/8-16 X 4.5 [Mit]	1
10	9010229	Bolt, M8-1.25 X 25 [Mit]	4
11	9010230	Bolt, M8-1.25 X 20 Fl Hd [Mit]	2
12	9010231	Bolt, M8-1.25 X 25 Soc Hd [Mit]	1
13	9010623	Bracket, Pump, Mtg	1
14	9010624	Bolt, Washer	1
15	9010625	Bolt, Washer	2

Fig. 13 – Flywheel Group



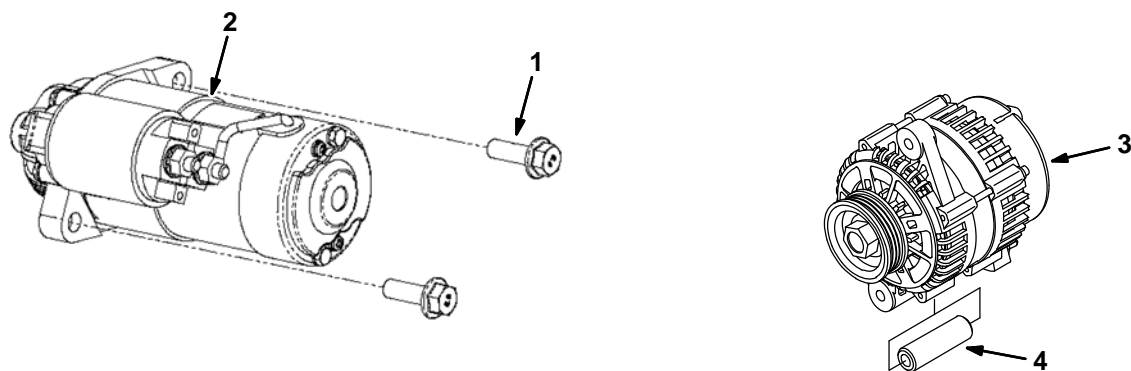
Ref.	Part No.	Description	Qty.
1	9010232	Bolt, M8-1.25 X 15, Hx Hd [Mit]	6
2	9010233	Flywheel, Flatface [Mit 20/24m]	1
3	9010234	Coupling, Flywheel [Mit20/24m]	1
4	9010235	Pin, Flywheel [Mit 20/20m]	3
5	9010236	Bolt, Flywheel [Mit 20/24m]	7
6	9010359	Bolt, M12-1.75 X 25, Hex Hd [Mit]	2
7	9010237	Cover, Dust [Mit 2.0l]	1
8	9010238	Housing, Flywheel [Mit 2.0l]	1
9	9010360	Washer, Lock, M12 [Mit]	2
10	9010239	Nut, M10-1.25 Flg [Mit]	1
11	9010240	Bolt, M6-1.0 X 20 Fl Hd [Mit]	2
12	9010241	Bolt, M10-1.25 X 30 Soc Hd [Mit]	4
13	9010242	Bolt, M10-1.25 X 45 Soc Hd [Mit]	2

**Fig. 14 – Ignition Coil and Spark Plug Group**



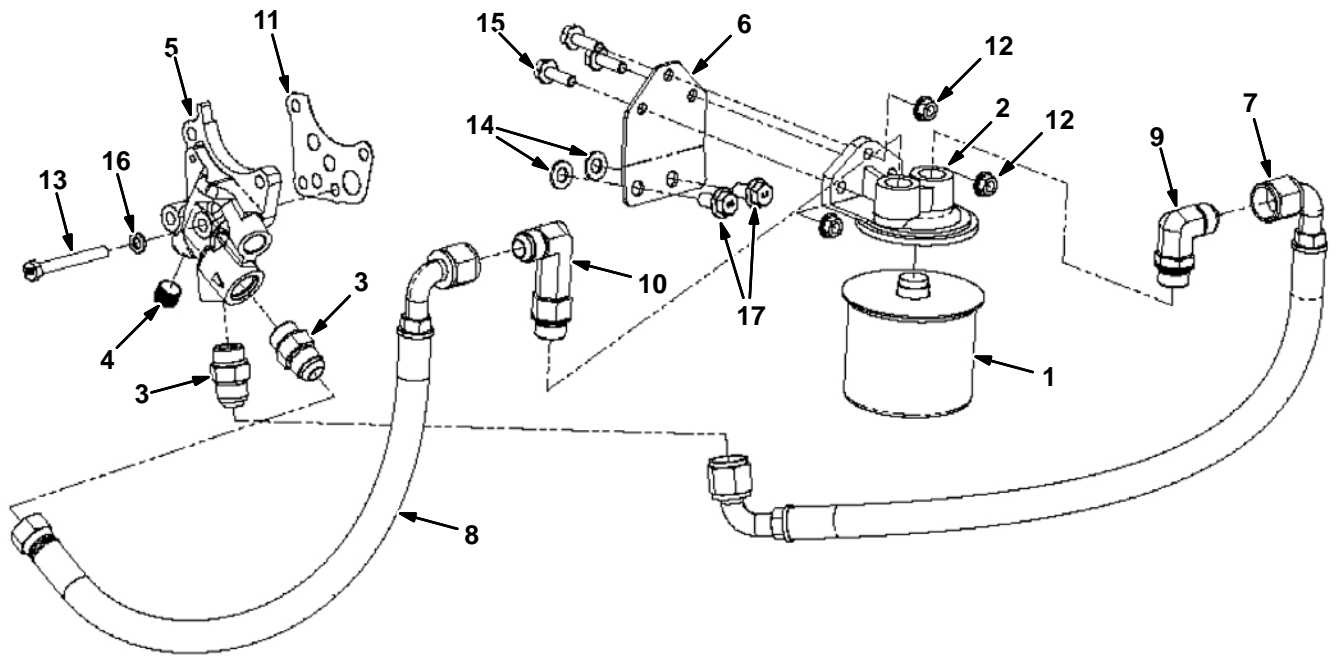
Ref.	Part No.	Description	Qty.
1	9010243	Bracket, Coil [Mit 2.0/2.4l]	1
2	9010244	Coil, Ignition [Mit 2.0/2.4l]	4
3	385015	Nut, Flng, M8	2
4	9010240	Bolt, M6-1.0 X 20 Fl Hd [Mit]	4
5	9010622	Plug, Spark	4

Fig. 15 – Starter / Alternator Group



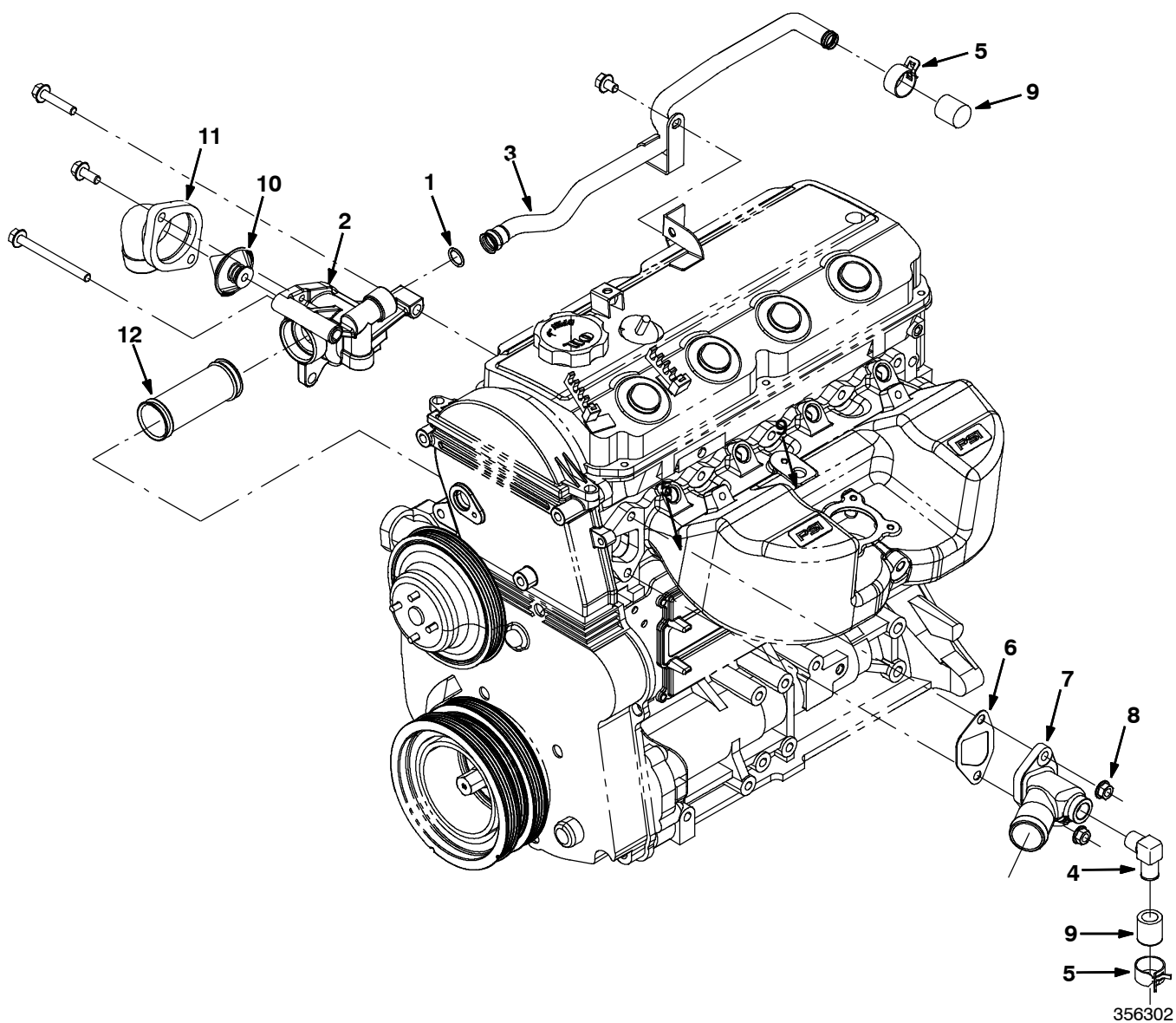
Ref.	Part No.	Description	Qty.
1	9010245	Bolt, M10-1.50 X 30 [Mit]	2
2	9010246	Starter, Motor [Mit 2.0/2.4]	1
3	9010217	Alternator, 7si [Mit Df Sur-Belt]	1
4	9010219	Spacer, Alternator [Mit 2.0/2.4]	1

Fig. 16 – Remote Oil Filter Group



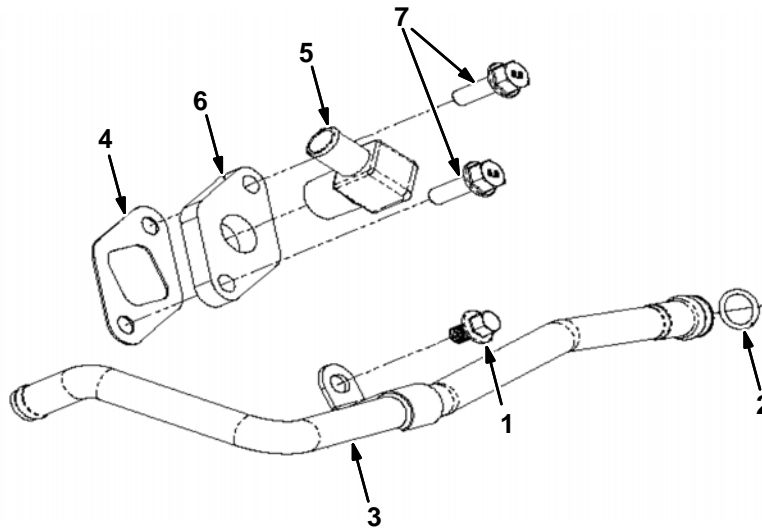
Ref.	Part No.	Description	Qty.
1	9010627	Filter, Oil	1
2	371503	Mount, Fltr, Remote	1
3	9010371	Fitting, Str, 10–10 Orb, 37fi [Mit]	4
4	9010372	Plug, 3/8npt X 5/16, Brs [Mit]	1
5	9010373	Adapter, Filter, Oil, Remote [Mit]	1
6	9010374	Bracket, Filter, Oil, Remote [Mit]	1
7	9010375	Hose, 90x90,Filter, Oil, Remote[Mit]	1
8	9010376	Hose, 90xstr,Filter, Oil, Remote[Mit]	1
9	9010628	Elbow	1
10	9010629	Elbow	1
11	9010377	Gasket, Oil, Adapter [Mit 2.0/2.4]	1
12	385015	Nut, Flng, M8	3
13	9010253	Bolt, M8–1.25 X 70 Hxhd [Mit]	1
14	9010630	Washer	2
15	9010229	Bolt, M8–1.25 X 25 [Mit]	3
16	9010380	Washer, Lock, M8 [Mit]	1
17	9010631	Bolt	2

## Fig. 17 - Coolant Group



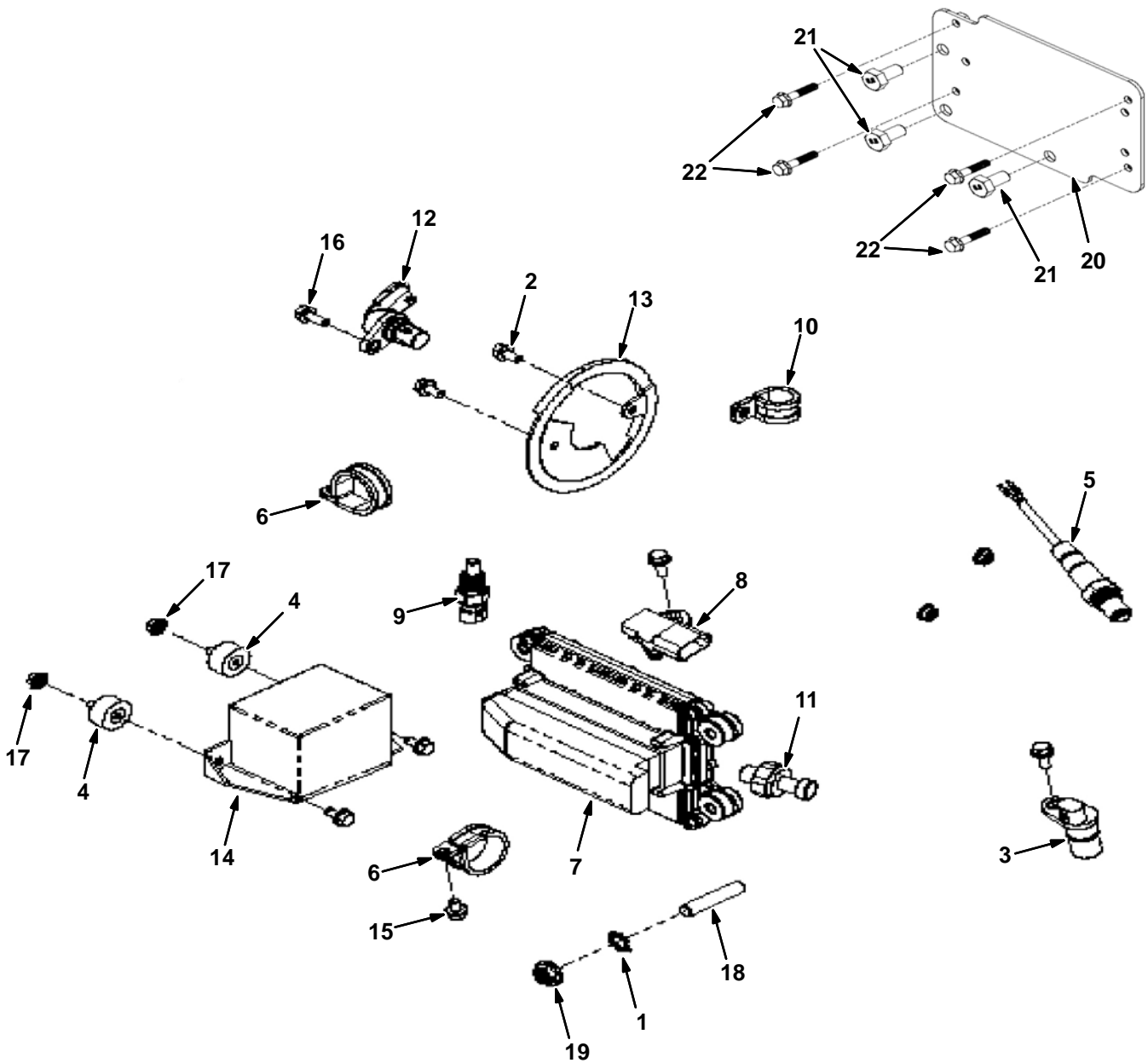
Ref.	Part No.	Description	Qty.
1	9010289	O-Ring [Mit 208 Buna-N]	1
2	9010290	Housing, T-Stat, 2 Holes [Mit]	1
3	9010291	Tube, Water, Line [Mit]	1
4	385011	Fitting, E90	1
5	384979	Clamp, Hose, Spring, 0.62d	2
6	9010293	Gasket, Water [Mit 2.0/2.4]	1
7	9010294	Outlet, Water, W/Plug [Mit 2.0/2.4]	1
8	385015	Nut, Flng, M8	2
9	9010295	Cap, Rubber, 5/8id [Mit 2.0/2.4]	2
10	9010905	Thermostat Kit, Coolant, Replmt [Mitsub]	1
11	9010215	Housing, Thermostat	1
12	9010910	Tube, Pump, Water	1

Fig. 18 – DSR Coolant Group, LPG Engine



Ref.	Part No.	Description	Qty.
1	9010305	Bolt, M8-1.25 X 12 [Mit]	1
2	9010289	O-Ring [Mit 208 Buna-N]	1
3	9010306	Tube, Cooling, Line [Mit]	1
4	9010307	Gasket, Water Supply [Mit 2.0/2.4]	1
5	9010308	Fitting, 1/2 Mpt X 5/8bh 90deg [Mit]	1
6	9010309	Plate, Water, Outlet [Mit Bypass]	1
7	9010310	Bolt, M8-1.25 X 25 Flg Hd [Mit]	2

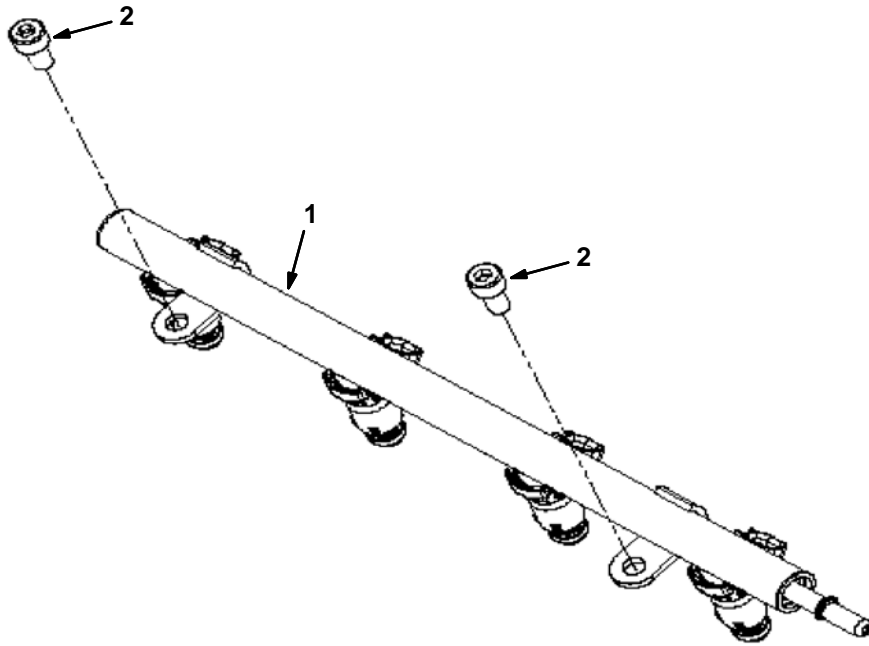
Fig. 19 – Electrical Group



**Fig. 19 – Electrical Group**

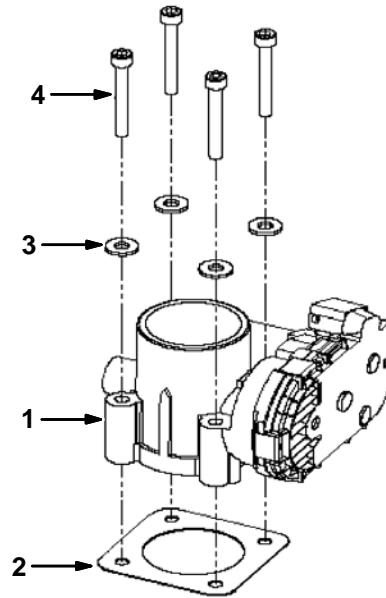
<b>Ref.</b>	<b>Part No.</b>	<b>Description</b>	<b>Qty.</b>
1	9010255	Washer, Star, M10 [Mit]	1
2	9010256	Bolt, M6–1.0 X 12 FI Hd PI [Mit]	2
3	372492	Sensor, Spd, Timing Wheel [3.0l]	1
4	9008805	Isolator	2
5	1028558	Sensor, Exhaust, Tailpipe	1
6	9010257	Clamp, 1/4 Hole [Mit #20]	2
7	1071397	Module, Ecu, Gas [Mit 2.0l 2013]	1
7	1071398	Module, Ecu, Lpg [Mit 2.0l 2013]	1
8	372493	Sensor [Tmap]	1
9	372891	Sensor, Temp, Coolant	1
10	9010258	Clamp, 0.75d [Mit]	1
11	9010259	Sender, Oil, Press [Mit]	1
12	9010260	Sensor, Camshaft [Mit]	1
13	9010261	Cam, Sensor, Wheel [Mit 2.0/2.4l]	1
14	1071653	Harness, Wire, Eng, Gas [Mit, 2.0l]	1
14	1071654	Harness, Wire, Eng, Lpg [Mit, 2.0l]	1
15	9010262	Bolt, M6–1.0 X 10 FI Hd [Mit]	3
16	9010263	Bolt, M6–1.0 X 16 FI Hd [Mit]	3
17	9010264	Nut, M6–1.0 Flange [Mit]	4
18	9010366	Stud, M10–1.25 X 50, Full Thrd [Mit]	1
19	9010367	Nut, M10–1.25, Hx Flg [Mit]	1
20	9010247	Plate, Mtg, Ecu [Mit 2.0/2.4l]	1
21	9010248	Bolt, M10–1.25 X 20 Hxhd [Mit]	3
22	9010249	Bolt, M6–1.0 X 30 FI Hd [Mit]	4

Fig. 20 – Fuel Rail Group, Gasoline Engine



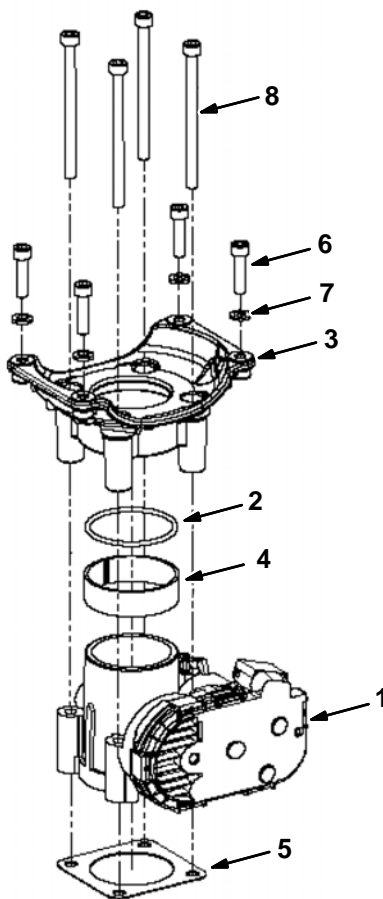
Ref.	Part No.	Description	Qty.
1	9010306	Tube, Cooling, Line [Mit]	1
2	9010327	Bolt, M8-1.25 X 16, Soc Hd [Mit]	2

Fig. 21 – Throttle Body Group, Gasoline Engine



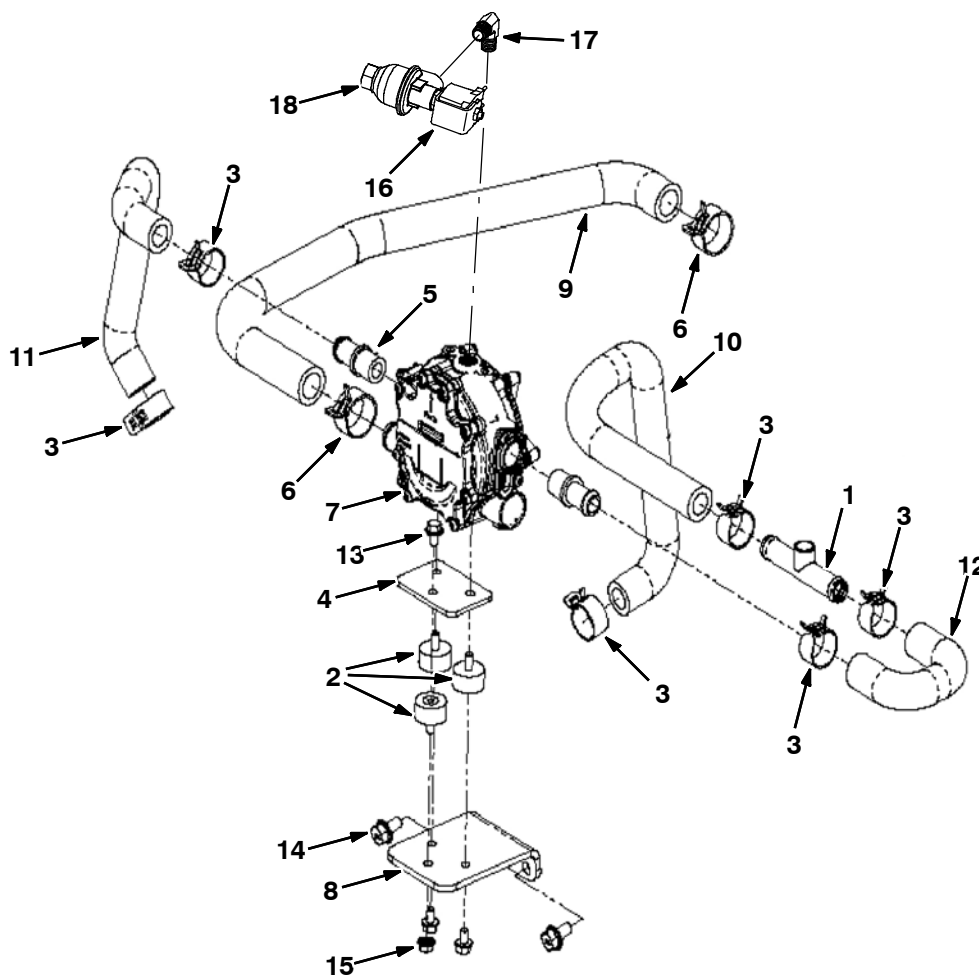
Ref.	Part No.	Description	Qty.
1	9010266	Actuator [Mit , Bosch]	1
2	9010268	Gasket, Throttle [Mit 40mm]	1
3	9010330	Washer, 1/4 Flat [Mit]	4
4	9010331	Bolt, M6-1.0 X 45, Skt Hd [Mit]	4

Fig. 22 – Throttle Body Group, LPG Engine



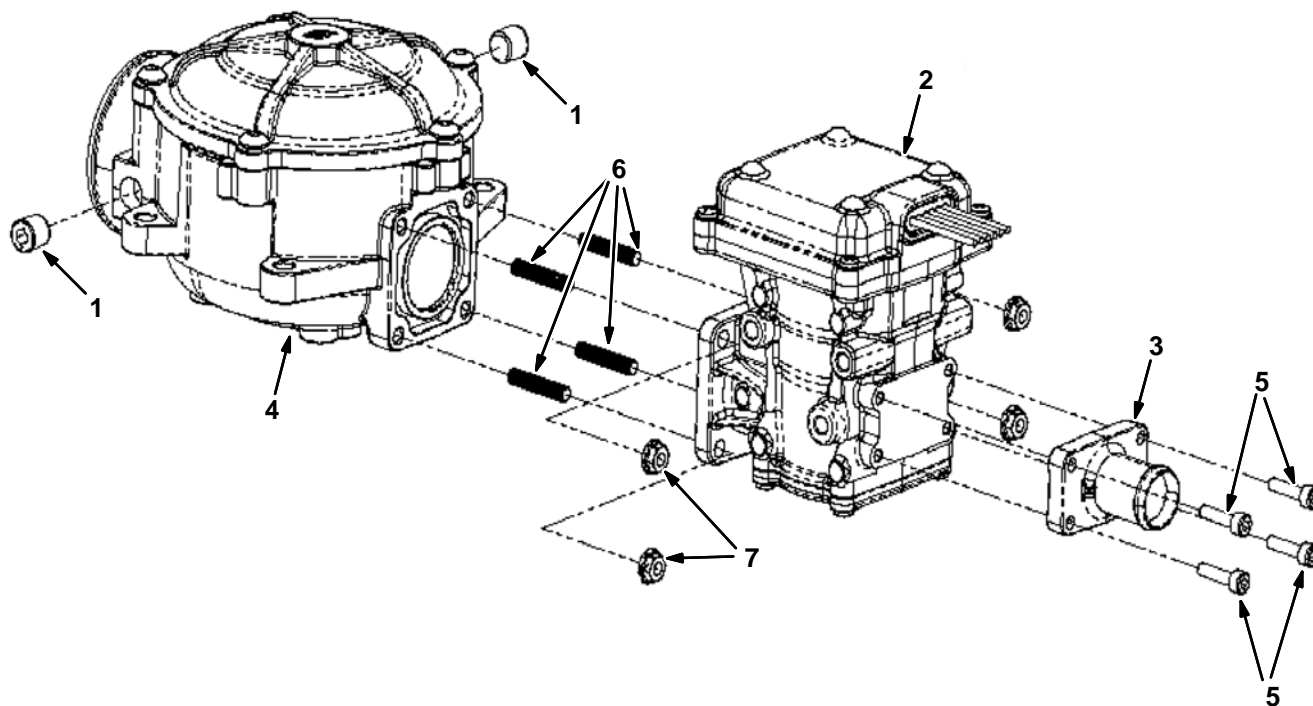
Ref.	Part No.	Description	Qty.
1	9010266	Actuator [Mit , Bosch]	1
2	1037311	Seal, Org, Lpg, Mixer [Gm 2007]	1
3	9006619	Adapter [E100 Mixer Gm 1.6l 2010]	1
4	9010267	Spacer, Ring, Throttle [Mit 40mm]	1
5	9010268	Gasket, Throttle [Mit 40mm]	1
6	9010269	Bolt, M6-1.0 X 25 Soc Hd [Mit]	4
7	9010270	Washer, Lock, M6 [Mit]	4
8	9010271	Bolt, M6-1.0 X 85 Soc Hd [Mit]	4

Fig. 23 - Vaporizer Group, LPG Engine



Ref.	Part No.	Description	Qty.	
	1	9010272	Hose Assy, Upper, Tap [Mit]	1
	2	9008805	Isolator	3
	3	384979	Clamp, Hose, Spring, 0.62d	6
	4	9008804	Plate, Mtg [Epr]	1
	5	9010273	Fitting, 1/2 X 5/8 Hose, Plastic [Mit]	2
	6	9010274	Clamp, Tension [Mit #29]	2
▽	7	9008193	Regulator [ Gm3.0l 2010]	1
▲		9010626	Repair Kit, Vaporizer	
	8	9010275	Bracket, Vaporizer [Mit 20/24m Tilt]	1
	9	9010276	Hose, Fuel, Molded [Mit 20/24m]	1
	10	9010277	Hose, Coolant, Molded [Mit 20/24m]	1
	11	9010278	Hose, Coolant, Molded [Mit 20/24m]	1
	12	9010279	Hose, Coolant, Molded [Mit 20/24m]	1
	13	9010262	Bolt, M6-1.0 X 10 FI Hd [Mit]	3
	14	9010280	Bolt, M8-1.25 X 16 FI Hd [Mit]	2
	15	9010264	Nut, M6-1.0 Flange [Mit]	1
	16	9006620	Lock-Off, 12v, Lpg [Mit]	1
	17	9010317	Fitting, 1/4mpt X 1/4mpt, 90deg [Mit]	1
	18	9007380	Filter Kit, Fuelock, Lpg [Gm1.6l 2010]	1

Fig. 24 – Electronic Pressure Regulator (EPR) Group, LPG Engine



Ref.	Part No.	Description	Qty.	
1	9010314	Plug, 1/8npt, Brs [Mit]	2	
2	9008806	Regulator, Press, Electronic [Epr]	1	
3	9008807	Fitting, Barb, 3/4" [Epr]	1	
▽	4	9006618	Mixer [E100lp Gm 2010]	1
▲	9010634	Repair Kit, Mixer	1	
5	9008808	Screw, Soc, M4 X 0.70 X 16	4	
6	9007424	Stud, M05-0.8 [Gm1.6l Lp 2010]	4	
7	9007423	Nut, Flng, M05-0.8 [Gm1.6l Lp 2010]	4	

# SECTION 7

CONTENTS	PAGE
PART NUMBER TO PAGE NUMBER CROSS REFERENCE LIST .....	7-2
PART DESCRIPTION TO PAGE NUMBER CROSS REFERENCE LIST .....	7-17

# CROSS REFERENCE

## PART NUMBER TO PAGE NUMBER CROSS REFERENCE LIST

Part Number	Page Number	Part Number	Page Number	Part Number	Page Number
IB3614	4-10	06944	2-107	08712	2-13, 2-71, 2-105, 2-109, 2-111, 2-119, 2-121, 2-141, 2-143, 3-57, 3-65
00500-15	4-8, 4-9	06946	2-31, 2-33, 2-41	08713	2-71, 2-73, 2-75, 2-77, 2-85, 2-99, 2-103, 2-105, 2-109, 2-111, 2-113, 2-115, 2-117, 2-119, 2-121, 2-123, 2-125, 2-127, 2-129, 2-131, 2-133, 2-135, 2-139, 2-145, 3-7, 3-13, 3-15
00927	2-113, 2-115	06949	2-51	08714	2-103, 2-111, 2-121, 2-125
00954	2-147	06955	2-95, 2-139, 2-145	08716	2-71, 2-73, 2-75, 2-109, 2-111, 2-129, 2-133, 2-141, 2-143
00960	2-67, 2-69	06956	2-49, 2-51	08875	2-135, 2-136
00966	4-10	06957	2-105, 2-121	09005	2-113, 2-115
01316	3-3, 3-63	06960	2-17	09007	2-129, 2-133, 2-143
01493	2-9	06961	2-67, 2-73	09010	2-85, 2-99, 2-103, 2-109, 2-111, 2-113, 2-115, 2-119, 2-121, 2-125, 3-7, 3-11
01681	2-17	06962	2-81, 2-83, 3-67	09023	2-121
01683	2-29, 2-37, 2-99, 3-3, 3-19, 3-25, 3-29, 3-33, 3-37, 3-43, 3-57, 3-63, 3-67	06963	2-105	09028	2-101, 2-107, 2-117, 2-129, 2-133
01684	2-5, 2-105, 2-109, 2-111, 2-119, 2-136, 2-141, 2-143, 3-29, 3-37, 3-57, 3-65	06965	3-67	09037	2-41
01685	2-71, 2-73, 2-75, 2-77, 2-85, 2-105, 2-109, 2-111, 2-119, 2-121, 2-123, 2-125, 2-129, 2-133, 2-139, 2-145, 3-3, 3-7, 3-11	06968	2-25, 2-27	09081	2-127, 2-131
01686	2-7, 2-101, 2-121, 3-13	06969	2-93, 2-117	09145	2-67
01714	2-95, 2-97	06972	2-23, 2-25, 2-27	09198	2-99
01754	2-105	06988	2-19	09200	2-15, 2-21, 2-53, 2-105, 2-141, 3-19, 3-25, 3-29, 3-33, 3-65
01760	2-15	07255	2-29, 2-31, 2-33	09206	3-21, 3-37
01762	2-113, 2-115, 3-7, 3-9	07259	2-101, 2-109, 2-111, 2-117, 2-125	09252	2-15, 2-99, 2-101, 3-37, 3-57
02430	4-26	07299	2-25, 2-27	09291	2-105, 2-109, 2-111
02706	4-7	07449	2-125	09738	3-13, 3-37
02850	2-15, 2-21, 2-78, 3-21	07514	3-19	09739	2-113, 2-115, 2-141, 3-13, 3-19, 3-25, 3-33, 3-51, 3-52, 3-53, 3-65
02931	2-125	07782	2-19	09740	2-9, 2-15, 2-21, 2-53, 2-77, 2-85, 2-105, 2-113, 2-115, 2-117, 2-119, 2-129, 2-133, 2-145, 2-147, 2-171, 2-173, 3-3, 3-5, 3-21, 3-29, 3-37, 3-47, 3-49, 3-51, 3-63
02938	2-107, 4-29	07786	2-129, 2-133	09741	2-117, 2-121
02942	2-101	07788	2-129, 2-133	09744	2-136, 3-37, 3-65
03192	3-55	07789	2-101	09832	2-77, 2-81, 2-83
03495	2-123	07790	2-69, 2-81, 2-83	1002789	3-23, 3-25
03922	2-147	07791	2-45, 2-47, 2-127, 2-131, 2-167	1002898	3-21, 3-29
04375	2-69	07797	2-167, 2-173		
04414	2-9, 2-23, 2-25, 2-27, 2-121, 2-123	07805	2-119, 3-37		
04706	2-17	07810	2-109, 2-149		
04733-12	2-117	08085	2-15		
06532	2-29, 2-31, 2-33, 2-41	08165	2-75, 2-81		
06548	2-95	08166	2-71, 2-73, 2-75		
06549	2-15, 2-29, 2-37, 2-89, 3-37, 3-57, 3-63	08170	2-95		
06922	2-105	08171	2-93, 2-107		
06927	2-21, 2-77	08175	2-113, 2-115		
06928	2-107	08179	2-95, 2-101, 2-109, 2-111, 2-121, 3-7, 3-11		
06929	2-15	08180	2-91		
06938	2-29, 2-37	08182	2-97, 2-129, 2-133		
06939	3-63	08236	2-117		
06942	2-9, 2-19, 2-29, 2-31, 2-33, 2-37, 2-41, 2-45, 2-77, 2-89, 2-95	08708	2-9, 2-15, 2-17, 2-19, 2-29, 2-37, 2-51, 2-55, 2-57, 2-59, 2-61, 2-63, 2-65, 2-67, 2-69, 2-77, 2-83, 2-85, 2-87, 2-89, 2-95, 2-99, 2-129, 2-133, 2-149, 2-171, 3-15		
06943	2-15, 2-23, 2-55, 2-61, 2-75, 2-77	08709	2-7, 2-9, 2-21, 2-49, 2-51, 2-53, 2-55, 2-57, 2-59, 2-61, 2-63, 2-65, 2-67, 2-69, 2-77, 2-83, 2-85, 2-87, 2-89, 2-95, 2-99, 2-129, 2-133, 2-149, 2-171, 3-15		
		08711	2-23, 2-25, 2-27, 2-93		

# CROSS REFERENCE

Part Number	Page Number	Part Number	Page Number	Part Number	Page Number
1002899	3-21, 3-29	1015033	3-5	1018236	2-109, 2-111
1005086	3-23, 3-25	1015041	2-77, 2-85	1018237	2-109, 2-111
1005219	3-39	1015045	2-141, 3-3, 3-13, 3-31, 3-41, 3-63	1018239	2-103
1005255	3-21	1015067	3-25, 3-33	1018240	2-107
1005302	3-19, 3-29, 3-39	1015205	2-83	1018241	2-101
1005435	3-21, 3-29, 4-29	1015220	2-105	1018244	2-109
1005506	3-19	1015547	2-29, 2-31, 2-33, 2-47	1018245	2-109, 2-111
1005507	3-19	1015815	2-43	1018252	2-149
1005508	3-19	1015897	2-33	1018253	2-109, 2-111
1005552	3-19, 3-23, 3-25, 3-29, 3-39	1015930	2-29, 2-31, 2-38, 2-45	1018258	2-103
1006400	3-29	1016354	4-29	1018260	2-101
1006401	3-19	1016463	2-109	1018262	2-101
1006415	3-21, 3-39	1016560	2-33	1018266	2-101
1006416	3-29	1016561	2-47	1018272	2-103
1006447	3-19	1016624	2-71	1018274	2-107
1007220	2-121	1016837	3-3	1018275	2-101
1007482	2-77, 2-85, 2-87	1017101	2-136	1018276	2-101
1008640	2-67	1017141	2-237	1018280	2-107
1008916	2-19	1017218	2-9, 2-15, 2-21, 2-69, 2-103, 2-109, 2-111, 2-135, 2-139, 2-143, 2-145, 2-147, 2-171, 2-173, 3-5, 3-21, 3-29, 3-37, 3-47, 3-49, 3-51, 3-63	1018293	2-107
1010614	3-43	1017248	3-49, 3-52	1018300	2-103
1010668	3-25, 3-29, 3-33, 3-43	1017250	3-51, 3-53	1018333	3-25
1010684	3-19	1017368	2-5	1018463	2-77
1010836	3-19	1017386	3-39	1018495	3-63
1011018	2-234	1017413	3-39	1018499	3-19, 3-63
1011019	2-234	1017415	3-39	1018549	2-225
1011020	2-234	1017791	2-7	1018776	2-15
1011107	2-49	1017868	1-1, 2-123	1018780	3-21
1011216	2-71, 2-73, 2-75	1017903	2-91	1018883	3-19
1011353	2-23	1017944	2-105	1018884	3-19
1011403	3-29, 3-39	1017947	2-53	1018936	2-171, 4-11
1011412	3-19, 3-25, 3-31, 3-33, 3-43	1017969	2-71	1018938	3-15, 4-13
1011521	3-23, 3-39	1017978	2-55	1018939	2-29, 2-37
1011780	2-55, 2-57, 2-61, 2-63	1017987	2-61	1019031	2-129
1011799	2-77	1018059	2-78	1019146	2-117
1011837	3-41	1018097	3-21	1019225	2-7
1011885	3-5	1018098	3-19, 3-29	1019228	2-15
1011895	2-49, 2-51	1018142	2-71, 2-73	1019250	3-63
1011899	2-55, 2-57, 2-61, 2-63	1018155	4-29	1019251	2-7
1012160	2-49	1018193	2-109	1019265	2-77, 2-85
1012248	2-51	1018194	2-109	1019273	2-77
1013031	2-71, 2-73, 2-75	1018196	2-109	1019295	1-1, 2-127, 2-131
1013086	2-49, 2-51	1018197	2-109	1019394	2-49
1013117	2-73, 2-75	1018199	2-109	1019416	2-49
10137	1-1, 2-89	1018202	2-109	1019424	2-139, 2-145
1013902	3-21	1018203	2-105	1019445	3-47, 3-49, 3-51
1014082	3-21	1018207	2-105	1019630	2-229
1014563	2-67, 2-77, 2-81, 2-83, 2-105, 2-109, 2-111, 2-125, 2-147, 2-149, 3-55	1018208	2-107	1019636	3-5
1014575	3-21	1018209	2-149	1019646	3-27
1014705	2-117	1018210	2-109	1019647	3-52, 3-53
1014747	2-85	1018216	2-149	1019939	2-49
1014843	2-87	1018226	2-101	1019940	2-49
1014929	3-29	1018227	2-101	1019950	2-231
1014971	4-29	1018235	2-103	1019968	2-77, 2-81, 2-83
1014974	3-5, 3-43, 4-29			1019971	3-47, 3-49, 3-51
1014986	3-29			1020002	2-117
				1020003	2-117
				1020065	2-143
				1020163	2-119
				1020166	1-1, 2-119
				1020168	2-9, 3-37

# CROSS REFERENCE

Part Number	Page Number	Part Number	Page Number	Part Number	Page Number
1020186	2-21	1022135	3-7	1023769	2-161
1020207	2-119	1022137	2-139, 2-145	1023779	2-121
1020208	2-119	1022140	2-99	1023853	2-77, 2-85
1020209	2-135	1022165	2-119	1023879	3-55
1020320	2-147	1022167	2-143	1023926	2-17
1020331	2-143	1022176	2-135	1024141	2-226
1020335	2-143	1022179	2-119	1024157	2-17
1020394	2-171, 4-19	1022182	2-136	1024237	3-29
1020428	2-136	1022188	3-7	1024249	2-91
1020434	2-237	1022229	3-5	1024251	2-165, 4-7
1020487	2-15	1022243	2-95	1024260	2-17, 4-25
1020526	3-65	1022260	3-7	1024274	2-89
1020540	2-9	1022276	3-55	1024287	2-13
1020548	2-129	1022302	3-7	1024389	2-135
1020602	2-71	1022318	3-13	1024403	2-143
1020708	2-171	1022345	2-97	1024425	2-15
1020828	2-119	1022359	2-119	1024464	2-15
1020904	2-9	1022363	2-119	1024478	2-17
1020949	2-55, 2-57, 2-59, 2-61, 2-63, 2-65	1022364	2-29, 2-31	1024500	2-21
1021019	2-113, 2-115	1022370	2-143	1024535	2-139, 2-145
1021047	2-107	1022372	2-121	1024558	2-139, 2-145
1021090	2-143	1022377	2-147	1024570	2-119
1021210	3-5, 4-3	1022442	2-121	1024576	2-129, 2-133
1021265	2-17	1022482	2-171	1024584	2-127, 2-131
1021290	2-89	1022484	2-171	1024586	1-1, 2-127, 2-131
1021325	3-3	1022545	2-125	1024591	2-135
1021327	2-7	1022699	2-9	1024599	2-139, 2-145
1021404	2-125	1022736	2-95	1024641	2-121
1021419	2-143	1022779	2-99	1024648	2-121
1021439	3-11	1022787	2-99	1024651	2-127, 2-131
1021473	3-11	1022794	2-71	1024688	2-161, 2-163
1021497	2-125	1022798	2-99	1024695	2-17
1021511	2-123	1022825	2-129, 2-133	1024703	2-121
1021514	2-55, 2-61	1022831	2-123	1024764	2-161
1021546	2-125	1022846	2-127, 2-131	1024853	2-147
1021564	3-11	1022978	2-133	1024891	2-147
1021579	1-1, 2-169	1023239	2-123	1024934	2-53
1021609	2-121	1023288	2-23	1024977	3-67
1021617	3-11	1023306	2-129	1025005	1-2, 3-7
1021789	2-71	1023307	2-133	1025100	2-117
1021794	3-7	1023314	2-133	1025101	2-237
1021834	2-9	1023464	2-11	1025132	2-169
1021878	3-21, 3-29	1023476	2-125	1025140	2-97
1021879	2-143	1023482	2-49, 2-51	1025151	2-127, 2-131
1021881	3-63	1023485	3-17	1025159	3-5
1021920	2-143	1023486	3-17	1025196	2-21
1021941	2-109, 2-111	1023487	2-159	1025229	2-49, 2-51
1021991	2-171	1023488	2-157	1025405	3-15
1022003	2-119	1023489	2-157	1025435	2-9
1022004	2-21	1023499	2-15	1025445	3-17
1022005	2-15, 2-21	1023502	2-139, 2-145	1025460	2-125
1022007	1-1, 2-119	1023545	2-169	1025480	2-139, 2-145
1022009	1-1, 2-119	1023569	2-11	1025487	2-95
1022031	2-95	1023606	2-159	1025495	2-95
1022069	2-19	1023607	2-159	1025544	2-161
1022105	2-15	1023608	2-157	1025547	2-159
1022106	3-13	1023609	2-157	1025548	2-161
1022111	3-7	1023611	2-159	1025551	2-163
1022113	2-71	1023617	2-113	1025601	2-125
		1023754	2-147	1025619	2-143

## CROSS REFERENCE

Part Number	Page Number	Part Number	Page Number	Part Number	Page Number
1025620	2-143	1027716	1-2, 3-7	1029497	3-5
1025663	3-67	1027719	1-1, 2-123	1029543	3-67
1025680	2-121	1027759	3-69	1029545	2-19
1025736	2-15	1027798	3-49, 3-51, 3-52, 3-53	1029646	2-101
1025756	2-149	1027800	3-49, 3-51, 3-52, 3-53	1029652	2-19
1025806	2-21	1027810	2-117	1029748	2-136
1025841	2-149	1027856	2-55, 2-57, 2-61, 2-63	1029790	3-63
1025872	2-147	1027916	2-7	1029964	2-113, 2-115
1025887	2-147	1027926	3-11	1030017	2-9
1025888	2-147	1027976	3-63	1030073	2-23
1025904	2-101	1027978	3-63	1030404	2-157
1025916	2-15	1028074	2-141	1030441	4-30
1025990	3-17	1028136	2-73	1030444	4-30
1025991	3-17	1028145	2-159	1030511	3-25, 3-33, 3-43
1025992	3-17	1028173	2-143	1030549	3-59
1026003	2-77	1028211	2-143	1030588	2-15, 2-21
1026007	2-121	1028328	2-143	1030593	2-9
1026014	2-143	1028343	2-45	1030617	2-136
1026025	2-95	1028374	2-123	1030709	2-163
1026051	2-139, 2-145	1028412	2-21	1030863	3-19
1026067	3-21	1028516	2-21	1030864	3-19
1026074	3-19	1028522	2-143	1030878	3-19
1026080	2-113, 2-115	1028558	2-73, 2-75, 6-25	1030910	2-117
1026108	2-119	1028559	2-73	1030911	2-117
1026119	3-15	1028570	2-143	1030969	2-4
1026146	3-59	1028582	3-19	1031011	1-1, 2-127, 2-131
1026222	2-4	1028635	2-129, 2-133	1031017	2-237
1026223	2-4	1028690	2-139, 2-145	1031206	2-15
1026319	2-167	1028691	2-139, 2-145	1031233	2-135
1026352	2-113, 2-115	1028697	3-5	1031235	2-136
1026550	2-49, 2-51	1028701	2-139, 2-145	1031309	2-145
1026576	2-89	1028711	2-31	1031312	2-31, 2-33, 2-41
1026628	2-21	1028722	2-41	1031331	1-1, 2-123
1026645	2-159	1028753	2-73, 2-75	1031439	2-23
1026647	2-167	1028769	2-13	1031553	2-63
1026664	2-49	1028772	2-13	1031557	2-19
1026665	2-21	1028821	2-167	1031566	2-69
1026726	2-21	1028822	2-167	1031572	3-5
1026727	2-139	1028823	2-167	1031575	2-107
1026733	2-161	1028852	2-119	1031609	2-57
1026743	3-63, 4-27	1028924	2-51	1031610	2-143
1026759	2-49, 2-51	1028929	2-73, 2-75	1031614	2-57, 2-63
1026825	2-15	1028972	2-131	1031665	2-9, 2-13, 2-15, 2-17, 2-21
1027007	3-63	1028979	2-131	1031699	2-143, 4-3
1027039	2-145	1028994	2-73, 2-75	1031796	4-27
1027099	2-77	1029055	3-63	1031797	4-27
1027103	2-77	1029057	3-37, 3-63	1031798	4-27
1027218	2-9	1029082	2-31, 2-33, 2-41	1031799	4-27
1027228	2-89	1029118	3-21	1031800	4-27
1027233	2-99	1029128	2-127	1031801	4-27
1027237	3-63	1029132	2-127	1031802	4-27
1027267	2-9	1029153	3-63	1031803	4-27
1027290	1-1, 2-136	1029155	3-63	1031823	1-1, 2-127, 2-131
1027313	2-99	1029156	3-63	1031826	2-7
1027320	2-161	1029185	2-141	1031827	2-7
1027321	2-161	1029293	2-51	1031945	1-1, 2-123
1027381	2-135	1029295	2-51	1032242	2-67
1027560	3-67	1029362	2-13	1032323	2-57, 2-63
1027688	2-5	1029379	3-7, 3-9, 4-9	1032399	2-99
1027697	2-4	1029399	3-63		

# CROSS REFERENCE

Part Number	Page Number	Part Number	Page Number	Part Number	Page Number
1032450	2-237	1037311	6-28	1041151	2-45, 2-47
1032578	3-69	1037346	2-7, 2-81, 2-83, 2-89, 2-107, 2-143, 2-149	1041152	2-45, 2-47
1032743	2-113, 2-115	1037355	2-81, 2-83	1041291	2-78
1032812	2-51	1037671	2-105	1041389	3-17
1032830	3-55	1037805	3-15, 4-15	1041822	2-13
1032831	3-55	1037809	3-35	1041920	2-105
1032869	3-65	1037816	2-143	1041953	2-139, 2-145
1032896	3-65	1037825	3-25, 3-33, 3-43	1041984	2-105
1033156	2-21	1037947	2-105	1042003	2-139
1033297	3-21	1037970	2-19	1042010	2-145
1033428	2-67	1037971	2-19	1042028	2-23
1033591	2-105	1038074	2-141	1042499	2-5
1033624	2-229	1038115	3-11	1042500	2-5
1033644	1-1, 2-67	1038123	2-111	1042504	2-5
1033746	2-51	1038134	2-111	1042686	2-117
1033897	2-51	1038137	2-117, 2-121, 2-129, 2-133, 3-11	1042710	4-30
1033901	2-51	1038159	4-29	1042772	2-33, 2-47
1033975	2-9	1038258	2-113, 2-115	1042775	2-161
1034147	2-125	1038499	2-77	1042776	2-161
1034149	2-125	1038566	2-173, 4-21	1042968	3-7, 3-9
1034388	2-149	1038569	2-157	1043322	2-85
1034655	2-51	1038805	2-135, 2-136	1043481	2-31, 2-45
1034676	2-51	1038927	2-143	1043866	3-39
1034764	2-11	1038941	2-143	1043897	2-81
1034765	2-11	1039019	3-5	1044323	2-103
1034766	2-11	1039049	2-143	1044342	3-29
1034767	2-15	1039064	2-141	1044343	3-29
1034768	2-11	1039072	2-143	1044367	2-173
1034769	2-11	1039124	2-111	1044393	3-37
1034770	2-11	1039149	2-111	1044993	2-109, 2-111
1034878	2-169	1039155	2-111	1045272	3-15
1035031	2-67	1039157	2-111	1045415	2-81
1035044	2-143	1039163	2-103	1045419	2-81
1035068	2-19	1039215	2-103	1045433	2-81
1035214	2-85	1039348	2-129, 2-133	1045444	3-67
1035222	2-77	1039357	3-29	1045447	2-81
1035530	2-67	1039396	2-119	1045530	2-81
1035727	2-125	1039521	2-49	1045759	2-163
1035771	2-67	1039652	2-143	1045764	2-77, 2-81, 2-83
1035794	3-29	1039757	2-135, 2-136	1045940	2-81, 2-83
1035832	2-9	1039789	2-173	1046022	2-23
1035976	2-78	1040018	2-119	1046039	2-81
1035997	2-9	1040117	2-173	1046173	3-37
1036240	2-107	1040216	2-159	1046237	2-67
1036611	2-105	1040306	2-135	1046798	2-143
1036801	3-29	1040318	2-167, 2-169	1046962	2-81, 2-83
1036892	2-13, 2-57, 2-59, 2-63, 2-65, 2-81, 2-83	1040467	2-17, 2-19, 2-78, 2-81, 2-83, 2-101, 3-37, 3-57	1046976	3-9
1036939	2-161	1040524	2-4	1046980	1-2, 3-9
1036944	3-17	1040628	2-161	1046995	3-9
1036945	2-159	1040655	2-159	1047002	3-9
1036946	3-17	1040800	3-65	1047060	3-9
1036959	2-167	1040834	3-13	1047098	2-135, 2-136
1036965	3-17	1040841	2-11	1047169	2-9
1036997	2-141	1040863	3-67	1047238	1-2, 3-9
1037011	3-15	1040871	3-67	1047295	2-9
1037032	4-29	1040876	2-173	1048166	2-83
1037042	2-163	1041006	2-105	1048295AM	1-1, 2-105
1037053	2-163			1048474	2-135, 2-136
1037235	2-105			1048512	2-135, 2-136
				1048955	2-15

## CROSS REFERENCE

Part Number	Page Number	Part Number	Page Number	Part Number	Page Number
1049242	2-105	1059671	2-93	1070619	2-69
1049254	3-29, 3-39	1059677	3-37	1070659	3-57
1049259	3-29	1059878	4-30	1070732	2-87
1049919	2-19	1060130	2-7, 3-13	1070751	2-25, 2-27
1050003	2-237	1060185	3-37	1070756	2-25, 2-27
1050295	3-55	1060273	3-37	1070764	2-69
1050436	2-159	1060291	3-37	1070787	2-65
1050437	2-159	1060292	3-37	1070788	2-59, 2-65
1052017	3-39	1060517	4-29	1070798	2-99
1052124	2-117	1060521	2-91	1070819	2-99
1052170	2-81	1060596	3-39	1070822	2-59, 2-65
1052336	3-39, 4-29	1060624	3-37	1070833	2-59, 2-65
1052342	2-117	1060693	3-39	1070850	2-69
1052726	3-37	1060695	4-29	1070860	2-83
1052885	2-107	1060719	3-37	1070890	2-69
1053078	3-37	1060871	3-46	1070955	2-83
1053320	2-105	1060880	3-46	1071003	2-75
1053464	4-29	1060881	3-46	1071061	2-91
1053838	2-7, 2-107, 3-13	1060942	2-7	1071062	3-57
1054382	2-85, 2-87	1061045	3-43	1071099	2-87
1054428	2-83	1061973	2-91	1071107	2-69
1054558	2-63	1061974	2-93	1071108	2-69
1054575	2-113, 2-115	1062116	2-33, 2-47	1071110	2-69
1054610	2-115	1062403	3-39	1071113	2-75
1054682	2-113	1062566	2-7, 2-107	1071144	2-69
1054776	4-29	1062804	3-37	1071145	2-69
1054857	2-113, 2-115	1062813	2-237	1071155	2-25
1055106	2-23	10632-1	2-107	1071173	2-167
1055139	2-115	10632-12	3-57	1071376	2-75
1055170	2-41	10632-13	2-107	1071388	2-51
1055377	2-67, 2-69	10632-17	3-52, 3-53	1071397	6-25
1055381	2-67	10632-19	3-19, 3-29	1071398	6-25
1055425	2-67	10632-2	3-5	1071404	2-59
1055552	2-35	10632-4	2-107, 3-37	1071418	2-75
1056195	3-67	1063456	2-234	1071439	2-21
1056232	2-33	1063457	2-234	1071440	2-35, 2-43
1056233	2-41	1064183	3-37	1071481	2-89
1056241	2-73	1064191	3-37	1071482	2-89
1056298	2-105	1064370	2-231	1071502	2-35
1056300	2-47	1064371	2-229	1071603	2-225
1056355	2-57, 2-63	1064440	2-237	1071616	2-9
1056566	2-23	1064662	2-237	1071641	3-58
1057029	5-11	1065342	2-237	1071642	2-235
1057637	4-29	1065343	2-237	1071653	2-234, 6-25
1057643	2-113, 2-115	1066893	2-15	1071654	2-234, 6-25
1057707	1-2	1067700	2-141	1071727	2-69
1057708	1-2	1068811	2-113, 2-115	1071785	2-83
1057710	1-2	1068812	3-9	1071947	3-46
1057711	1-2	1069019	1-2	1072408	2-35, 2-43
1058935	3-39	1069020	1-2	1072421	2-69
1058963	3-37	1069241	3-55	1072559	2-35, 2-43
1059091	1-2, 3-9	1069253	3-55	1072995	2-173, 4-23
1059092	1-2, 3-9	1069562	2-117	1072997	3-15, 4-17
1059234	4-30	1069580	3-57	10832	2-23
1059343	2-91	1069933	2-101	10917	4-27
1059347	2-93	1070348	2-27	11442-1	2-45, 2-47
1059372	3-39	1070402	3-57	11842	2-99
1059391	3-39	1070426	2-69	11984	3-21
1059542	2-105	1070431	2-69	12295	2-113, 2-115
1059640	2-4	1070434	2-83	12309	2-107

# CROSS REFERENCE

Part Number	Page Number	Part Number	Page Number	Part Number	Page Number
12317	2-7, 2-109, 2-111, 2-121, 3-13	19313	2-67, 3-55	24012	2-71, 2-73
12323	2-107, 3-37	19315	2-23, 2-31, 2-33, 2-35, 2-41, 2-43	24047	2-53
13048	2-47	19317	2-31, 2-33, 2-41	24105	3-3
13534	2-113, 2-115	19583	2-91	24196	3-43, 3-47, 3-49, 3-51, 3-52, 3-53
13698	2-167	19760	2-53	24199	3-57
13904	4-11, 4-13, 4-15, 4-17, 4-19, 4-21, 4-23	20021	2-107	24265	2-21, 3-3
13907	4-7, 4-19	20170	2-95	24299	2-5
140916	3-57	20394	2-19, 3-63	24339	2-91
14432	2-55, 2-57, 2-59, 2-61, 2-63, 2-65	20634	2-105	24358	2-143, 4-3
14595-1	2-95	20778	2-89	24543	3-5
14605	2-95	20833	1-1, 2-125	24544	3-3, 3-19, 3-29, 3-39
14838	2-5	20944	3-5	24555	2-123, 2-125, 3-9
14877	3-3, 3-5, 3-19, 3-29, 3-39	20951	3-5, 4-29	24698	3-39
150100	3-19	20952	3-5	24928-1	2-53
150516	2-31, 2-45	21168	2-21	24976	2-23
150525	3-21	21195	2-67	25014	2-73, 2-75
150538	3-29	21196	3-67	25046	3-7, 3-9
150540	3-29, 4-29	21197	2-49, 2-99	25122	1-1, 2-169
150709	2-53, 3-29	21198	2-165, 3-59	25312	3-68
150713	3-29	21601	2-123, 3-9	25611	3-7, 3-9
15331	2-19	21602	2-123	25686	2-113, 2-115
15539	2-5	21603	2-123, 3-9	25735	2-125, 2-127, 2-131
15543-2	2-55, 2-61	21606	2-123	26496	2-53
15648	2-139, 2-145	21623	2-107	27048	2-45, 2-49, 2-53
15675	2-113, 2-115, 2-139, 2-145	21657	4-26	27767	2-33, 2-47
15678	2-105, 3-29	21659	4-26	28854	4-9
16213	2-99	21851	2-15	29557	3-11
16411	1-2	21933	4-25	29558	3-11
16412	1-2	21934	4-25	29584	2-121
16431	2-159	21935	4-25	30407	2-77, 2-81, 2-83
16695	4-8, 4-9	21955	4-9	31241	2-149
16735	2-67, 2-69, 2-143, 3-11	21956	4-9	31354	4-8, 4-9
16931	2-9, 2-15, 2-19, 2-21, 2-49, 2-51, 2-53, 2-55, 2-61, 2-67, 2-69, 2-81, 2-85, 2-87, 2-91, 2-95, 2-147	21958	4-9	31375	4-8
16944	2-101	222267	2-135, 2-136	31379	4-8
16968	2-13	222268	2-103, 2-109, 2-111	31383	4-8
17185	2-113, 2-115, 3-19	222290	2-89	31543	3-33, 3-43
17284	3-13	222375	3-43	31613	1-1, 2-169
17414	2-53	222463	2-127, 2-131	32126	2-91
17461	2-109, 2-111, 2-117, 2-129, 2-133, 3-11	222496	2-71, 2-73, 2-75, 2-113, 2-115	32183	2-107, 3-5
17521	2-141	222505	2-71, 2-73, 2-75, 2-125	32483	2-15, 2-17, 2-29, 2-31, 2-33, 2-37, 2-41, 2-49, 2-51, 2-55, 2-61, 2-71, 2-73, 2-75, 2-77, 2-81, 2-105, 2-107, 3-37
17980	2-17, 2-167	222516	2-139, 2-145	32485	2-23, 2-25, 2-27, 2-67, 2-73, 2-99, 2-117, 2-125, 2-149, 2-165
19064	2-77, 2-105, 3-61	22290	2-17	32486	2-17, 2-23, 2-25, 2-27, 2-77, 2-93, 2-107, 3-11
19065	2-15, 3-37	22297	2-77, 2-85, 2-87	32490	2-9, 2-23, 2-31, 2-33, 2-35, 2-41, 2-43, 2-45, 2-75, 2-77, 2-81, 2-83, 2-89, 2-95, 2-97, 2-99, 3-19, 3-21
19066	2-15, 2-21, 2-67, 2-89, 2-101, 3-37, 3-47, 3-49, 3-51, 3-52, 3-53, 3-63	22308-6	2-53		
19191	3-7, 3-9	223080	2-15		
19312	2-31, 2-33, 2-35, 2-41, 2-43	223198	2-117		
		223470	3-7		
		223599	2-13		
		22790	4-3		
		23146	2-7, 2-107, 3-13		
		23156	2-53		
		23211	2-101		
		23285	4-3		
		23498	2-139, 2-145, 2-147, 2-149		
		23524-1	2-121		
		23788	2-95		

# CROSS REFERENCE

Part Number	Page Number	Part Number	Page Number	Part Number	Page Number
32491	2-7, 2-9, 2-15, 2-17, 2-19, 2-49, 2-51, 2-53, 2-55, 2-57, 2-59, 2-61, 2-63, 2-65, 2-67, 2-69, 2-73, 2-77, 2-81, 2-83, 2-85, 2-87, 2-91, 2-95, 2-113, 2-115, 2-117, 2-119, 2-139, 2-143, 2-145, 2-167, 2-169, 2-171, 3-11, 3-13, 3-15, 3-55, 3-65	360973	2-136	371869	2-23
		361044	2-159	371870	2-23
		361047	3-17	371871	2-67
		361071	2-13	371872	2-67
		361073	2-13	371876	2-23
		361075	2-13	371877	2-23, 2-45, 2-47
		361339	2-81, 2-95, 2-97, 2-107, 2-119, 3-3, 3-19, 3-21	371890	2-23
		36159	2-35, 2-43	371931	5-5
		363162	2-123	371932	5-5
		36328	2-129, 2-133	371933	5-5
		363301	2-123	371934	5-5
		363458	2-7	371935	5-5
		363976	2-9, 2-67	371936	5-5
		364347	2-95	371937	5-5
		364441	2-123, 3-15	371938	5-5
		364587	2-101	371940	5-8
		364749	2-15	371941	5-8
		364864	2-95	371942	5-5
		364948	2-95	371943	5-8
		365004	3-17	371944	5-5
		365164	2-55, 2-61	371945	5-5
		36643	2-53, 2-99, 2-147, 2-149	371946	5-5
		36644	2-117	371947	5-7
		36658	2-105	371948	5-7
		36661	2-105	371949	5-7
		367313	2-111, 2-121	371950	5-7
		367679	2-105	371951	5-7
		367770	2-121	371952	5-7
		367771	2-7	371954	5-3
		367949	2-135, 2-136	371955	5-3
		367974	3-59	371956	5-3
		368391	2-15	371957	5-3
		36845	3-11	371958	5-3
		369359	3-7, 3-9, 3-67	371959	5-8
		369704	2-89	371960	5-8
		369745	2-55, 2-57, 2-59, 2-61, 2-63, 2-65	371961	5-8, 5-11
		369746	1-1, 2-55, 2-57, 2-59, 2-61, 2-63, 2-65	371962	5-5
		369747	2-55, 2-57, 2-59, 2-61, 2-63, 2-65	371963	5-5
		369811	3-3	371964	5-5
		370100	2-123	371965	5-5
		371503	6-21	371966	5-5
		371509	6-17	371967	5-5
		371527	2-67	371968	5-5
		371562	6-17	371969	5-5
		371770	2-45, 2-47	371970	5-5
		371790	3-69	371971	5-5
		371854	2-57, 2-63	371972	1-1, 2-23, 5-8
		371855	2-23	371973	5-8
		371860	2-23, 2-71, 2-73	371975	5-8
		371861	2-71, 2-73	371976	5-5
		371863	2-67	371977	5-5
		371865	2-67	371978	5-5
		371866	2-23	371979	5-5
		371868	2-23	371980	5-7
				371981	5-7
				371983	5-7
				371984	5-7
				371986	5-7
				371987	5-7, 5-8
				371988	5-7
32492	2-7, 2-15, 2-49, 2-53, 2-73, 2-75, 2-81, 2-83, 2-99, 2-107, 2-167, 3-7, 3-9, 3-55, 3-59, 3-67				
32493	2-23, 2-25, 2-27				
32509	4-29				
32716	2-53, 2-67				
32746	2-5				
32975	2-105				
32981	2-49, 2-51, 2-147				
32982	3-37				
32983	2-15, 2-67				
32987	2-91				
32988	2-67				
331380	3-69				
331381	3-69				
331382	3-69				
331383	3-69				
331385	3-69				
33295	3-3				
33373	2-125				
33401	2-119				
33580	4-5				
33671	2-89				
33812	2-173				
33932	2-21, 2-99, 2-127, 2-131, 3-3, 3-37				
34178	4-5				
34323	2-149				
34359	3-15				
34411	2-7, 2-107, 3-13				
35493	4-10				
35707	2-53				
35710	2-53				
35904	2-167				
360023	2-93				
360074	2-93				
360270	2-93				
360271	2-93				
360272	2-93				
360273	2-93				
360274	2-93				
360275	2-93				
360276	2-93				
360801	2-129, 2-133, 2-143				
360802	2-93				
360824	2-105, 3-65				
360952	2-105				

# CROSS REFERENCE

Part Number	Page Number	Part Number	Page Number	Part Number	Page Number
371990	5-3, 5-7	372053	5-9	372567	5-7
371991	5-7	372055	5-12	372569	2-37
371992	5-8	372056	5-12	372572	5-7
371993	5-7	372057	5-12	372573	5-3
371994	5-7	372058	5-12	372574	5-3
371995	5-8	372059	5-12	372575	1-1, 5-12
371996	2-23, 5-7	372060	5-12	372576	2-37
371997	5-7	372066	5-9	372577	2-37
371998	5-7	372235	2-234	372579	2-37, 2-41
371999	5-3, 5-5	372236	2-234	372580	2-37
372000	5-7	372237	2-234	372582	2-37
372001	5-7	372440	1-1, 2-49, 2-51	372603	5-12
372002	2-23, 5-7	372470	2-31, 2-33, 2-35, 2-41, 2-43	372605	2-37
372003	5-7			372606	2-37
372004	5-7	372482	2-37	372607	2-37
372005	5-7	372484	2-37	372608	2-37
372007	5-3	372489	2-29	372609	2-37
372008	5-3	372491	2-71	372610	2-37
372009	5-11	372492	6-25	372611	2-37
372010	5-11	372493	2-29, 2-37, 6-25	372612	2-37
372011	5-11	372497	2-38	372613	2-37
372012	5-11	372498	2-37	372615	1-1, 2-37, 2-45
372013	5-11	372500	2-37	372616	5-11
372014	5-11	372501	2-38	372857	2-37
372015	5-11	372503	2-37	372858	2-29
372016	5-11	372506	2-37	372862	2-23
372017	5-11	372507	2-37	372863	3-69
372018	5-3	372510	2-37	372882	5-3
372019	5-3	372511	2-37	372891	6-25
372020	5-9, 6-16	372512	2-37	372898	2-37
372021	5-9	372514	2-37	372953	2-23
372022	5-3	372515	2-37	373217	4-5
372023	5-3	372517	2-37	373226	4-5
372024	5-3	372518	2-37	373236	4-5
372025	5-3	372523	2-37	373260	4-5
372026	5-3	372528	2-37, 2-45	373291	4-5
372027	5-3	372529	2-45, 2-47	373297	4-5
372028	5-3	372534	2-29, 2-31, 2-41	373298	4-5
372029	5-3	372537	2-29, 2-37	373299	4-5
372030	5-3	372539	2-45, 2-47	373317	4-7
372031	5-3	372541	2-23	373327	4-7
372032	5-3	372542	2-29	373346	4-7
372033	5-3	372543	2-29, 2-31, 2-33, 2-41	373347	4-7
372034	5-3	372544	2-29, 2-31, 2-33, 2-37	373348	4-7
372035	5-3	372545	2-29, 2-31, 2-33	373389	4-7
372036	5-3	372546	2-29	373391	4-7
372037	5-3	372547	2-29, 2-31, 2-33, 2-37, 2-41	373393	4-7
372038	5-3			373394	4-7
372039	5-3	372548	2-31, 2-33, 2-37, 2-41	373395	4-7
372040	5-11	372549	2-29, 2-31, 2-33, 2-37, 2-41	373398	4-7
372041	5-11			373402	4-7
372043	5-11	372550	2-29, 2-31, 2-33, 2-37, 2-41	373413	4-7
372044	5-11			373427	4-7
372046	5-11	372554	2-23	373429	4-7
372047	5-3	372556	2-23	373434	4-7
372048	5-3	372557	2-67	373493	4-7
372049	5-9	372558	2-37	373494	4-7
372050	5-9	372560	5-8	373631	4-19
372051	5-9	372563	2-29	373633	4-11, 4-13, 4-15, 4-17, 4-21, 4-23
372052	5-9	372566	2-29		

# CROSS REFERENCE

Part Number	Page Number	Part Number	Page Number	Part Number	Page Number
373637	4-11, 4-21, 4-23	381862	2-159	38968	4-5
373639	4-11, 4-21, 4-23	382099	2-117	390994	2-135
373640	4-11, 4-13, 4-15, 4-17, 4-19, 4-21, 4-23	382224	2-95	391368	2-19
373642	4-13, 4-15, 4-17, 4-19, 4-21, 4-23	382320	2-135, 2-136, 2-143, 3-68	39210	2-115, 2-171, 3-15
373646	4-13, 4-15, 4-17, 4-19	382516	2-13	392171	2-13
373647	2-173, 4-11, 4-13, 4-15, 4-17, 4-19, 4-21, 4-23	38255	4-5	392609	2-147
373648	4-11, 4-13, 4-15, 4-17, 4-19, 4-21, 4-23	383165	2-13	392629	2-49
373656	4-11, 4-13, 4-15, 4-17, 4-21, 4-23	383912	2-49	392645	2-53
373657	4-11, 4-13, 4-15, 4-17, 4-19, 4-21, 4-23	384418	2-21, 2-127, 2-131	39277	2-7, 2-9, 2-49, 2-51, 2-53, 2-55, 2-57, 2-59, 2-61, 2-63, 2-65, 2-69, 2-77, 2-81, 2-83, 2-87, 2-105, 2-139, 2-145, 2-167, 2-169
373658	4-11, 4-13, 4-15, 4-17, 4-19, 4-21, 4-23	384419	2-21	39278	2-99
373659	4-11	384442	2-67, 2-71, 2-73	39279	2-95
373660	4-11, 4-21, 4-23	384961	5-5	39281	2-69, 2-125
373661	4-13	384962	5-8	39283	2-7, 2-9, 2-23, 2-81, 2-167
373662	4-13, 4-15, 4-17	384963	5-5	39284	2-71, 2-73, 2-75, 3-67
373663	4-13, 4-15, 4-17, 4-19, 4-21, 4-23	384964	5-5	39285	2-149
373664	4-13, 4-15, 4-19, 4-21	384966	5-7	39308	2-129, 2-133
373665	4-19, 4-21, 4-23	384968	5-7	39311	2-9, 2-67, 2-105
373666	4-19, 4-21, 4-23	384970	2-45, 2-47	39312	2-105
373667	4-19, 4-21, 4-23	384971	2-45, 2-47	393135	2-127, 2-131, 3-65
373668	4-19, 4-21, 4-23	384972	2-31, 2-33, 2-41	393209	2-67
373669	4-19	384973	2-45, 2-47	393215	2-91, 2-101
373670	4-13, 4-15, 4-17, 4-19, 4-21, 4-23	384974	2-29, 2-31, 2-33, 2-41	393255	3-13
373671	4-19, 4-21, 4-23	384975	2-45	39349	2-9, 2-15, 2-21, 2-67, 2-69, 2-75, 2-99, 2-129, 2-133, 2-135, 2-139, 2-145
373672	4-13, 4-15, 4-19, 4-21	384976	2-41	39350	2-91
373673	4-13, 4-15, 4-19, 4-21	384977	2-45, 2-47	394916	2-234
373678	4-7	384978	2-45, 2-47	394921	2-234
373679	4-7	384979	2-45, 2-47, 6-22, 6-29	39527	4-8
373680	4-7	384980	2-41	39534	2-147
373681	4-7	384983	2-45	395825	2-109
373683	4-15, 4-17	384984	2-45, 2-47	395973	2-171, 3-15
373684	4-21, 4-23	384985	2-31, 2-33, 2-41	395974	2-171, 2-173, 3-15
373688	4-21, 4-23	384986	2-45, 2-47	396221	2-157
374560	2-91	384990	2-234	396255	2-159
374563	2-91	384991	2-41	396266	2-159
375321	3-63	384992	2-31, 2-33	396438	2-159
375322	3-3	384995	2-31, 2-33, 2-41	396476	2-171, 3-15
37555	4-8, 4-9	384996	2-41	397648	3-59
37616	4-5	384997	2-234	39785	2-67
377236	3-17	384998	2-234	39810	2-23
377349	2-136, 3-3	384999	2-234	39811	2-117
377537	1-2	385001	6-15	398279	2-55, 2-57, 2-59, 2-61, 2-63, 2-65
377538	1-2	385009	2-51	398468	2-49, 3-19
377540	1-2	385011	6-22	398474	3-19
37756	4-5	385015	6-15, 6-16, 6-19, 6-21, 6-22	398500	3-63
379609	2-91, 4-5	385029	2-23	398501	2-13
379791	2-109, 2-111	385644	3-23, 3-25, 3-31, 3-41, 3-43, 3-63	398508	2-13
379870	2-129, 2-133	385685	2-136, 2-143, 3-5	39924	2-107
381391	2-59, 2-65	386088	2-129, 2-133	40362	2-169
381502	2-95	386264	2-123	40607	2-107
381858	2-159	386298	2-123, 3-9	40678	2-167
		386652	3-5		
		387237	2-123		
		387281	2-161		
		387433	2-123		
		387500	2-123		
		388153	2-17		
		388552	5-11		

# CROSS REFERENCE

Part Number	Page Number	Part Number	Page Number	Part Number	Page Number
41130	2-147	47522	2-91, 2-171	54333	2-31, 2-45, 2-49, 2-51,
41139	2-21	47585	2-17		2-59, 2-65, 2-89, 3-13,
41141	2-119	47638	2-101		3-19, 3-23, 3-25, 3-29,
41142	2-67	47719	3-13		3-31, 3-33, 3-39, 3-41,
41169	2-97, 2-99	47752	2-167		3-43
41178	2-15, 2-21, 2-78, 2-81,	47801	2-91	54390	2-93
	2-83, 2-149	48079	2-99	54607	2-95
41185	2-129, 2-133	48126	2-51	54615	2-143
41186	2-67, 2-69, 2-99,	48267	2-49	54655	2-99
	2-139, 2-145, 2-147,	48790	3-39	54861	2-147
	3-11	48813	4-10	55272	3-49, 3-51, 3-52, 3-53
41187	2-73, 2-99, 2-121,	48985	2-117, 3-11	55455	2-169
	2-129, 2-133	48996	2-67	55586	2-113, 2-115, 2-171,
41295	3-3, 3-5	48998	2-67, 2-69		2-173, 3-15
41315	2-141	49145	2-93	55685	3-15
41346	3-11	49266	2-13, 2-29, 2-31, 2-81,	55845	3-59, 3-61, 3-67
41359	3-37		2-91, 2-115, 3-19, 3-39,	55926	4-7
41361	2-23		3-52, 3-53	56078	2-113, 2-115
41399	2-97	49697	2-127, 2-131	56185	2-17
41430	2-53, 2-77, 2-81, 2-83,	49800	2-15, 2-77	56186	2-229, 3-19, 3-29,
	2-149, 2-167, 3-55,	49883	2-69, 2-171		3-37, 3-63
	3-67	49933	2-147, 2-171, 2-173	56690	2-17, 2-169, 3-15,
41445	2-129, 2-133	50161	2-167		3-17
41579	4-29	50178	3-13	56692	3-7
41619	2-117, 2-121, 2-129,	50335	2-23, 2-99	56820	2-17, 2-171, 2-173,
	2-133	50544	2-141		3-15
42011	2-67	50646	2-107	56821	3-7, 3-9
42120	2-117	50901	3-39	56835	2-17
42120-1	2-101	50960	2-149	56992	2-13
42133A	3-3, 3-19, 3-29, 3-39	51109	2-95	57189	2-147
42180	2-97	51176	2-23, 2-25, 2-27	57248	3-29
42215	2-149	51305	2-29, 2-31, 2-38, 2-45,	57297	2-53
42223	2-91		2-77, 2-85, 2-87	57315	2-91
42226	2-147, 2-171, 2-173,	51338	2-91	57569	2-83
	3-15	51339	2-91	57702	3-67
42467	2-99	51754	2-161	57804	2-89, 2-234
43555	2-123, 2-139, 2-145	51787	2-167	57946	2-161
43844	2-29, 2-31, 2-38, 2-45,	51824	2-117	58311	2-95
	2-77, 2-78, 2-85, 2-87,	51839	2-29, 2-31, 2-33, 2-38,	58366	2-85
	3-3, 3-5, 3-29, 3-39		2-45, 2-47	58494	2-15
44868	2-113, 2-115, 2-149,	52405	4-5	58589	2-53
	2-165, 2-171, 3-15	53076	2-165	58590	2-53
44869	2-149, 2-165, 2-169,	53400-1	2-53	58592	2-169
	3-15	53400-4	2-53	58819	2-7, 2-9, 2-97
44961	4-29	53466	2-7, 2-9, 2-77, 2-87,	58842	2-91
45622	4-5		2-89, 2-167, 3-21	58979	2-143
45623	4-5	53485	2-149, 4-10	59009	2-95
45628	4-8, 4-9	53947	2-99	59156	2-53, 3-11
46236	3-49, 3-51	53953	2-99	59194	2-129
46314	2-29, 2-37	54017	2-157	59195	2-133
46480	2-171	54051	2-91	59378	4-10
46481	2-167	54052	2-91	59542	2-101
46482	2-169, 2-173	54087	2-91	59577	2-17, 2-173, 3-17
46559	2-99	54095	4-10	59633	3-11
46563	2-95	54205	2-99	59649	2-149
46785-1	2-121	54274	2-77, 2-81, 2-83,	59668	2-97
46800	3-7		2-147, 2-149	59735	2-149
47504	3-15	54275A	2-147, 2-149	59967	2-149
47512	2-165			60090	2-167, 3-15
47513	2-165			60295	2-89

# CROSS REFERENCE

Part Number	Page Number	Part Number	Page Number	Part Number	Page Number
607775	4-29	71341	2-91	74455	2-7, 2-77, 2-167
61490	4-8, 4-9	71367	2-95	75456-3	2-147
61869	2-33	71369	2-117	75456-4	2-147
62471	2-167	71556	2-159	75968	2-17
62595-15	2-51	71607	2-129, 2-133	76099	2-119, 3-21, 3-25, 3-33, 3-43
630164	3-39	71726	2-169	761490	2-7, 3-13
630371	3-3	71727	2-171, 2-173	762249	3-19
63175-1	3-11	71729	2-113, 2-115, 4-8	762282	2-33, 2-47
63233	3-11	71735	2-159	762514	2-89
63234	2-99	71741	2-159	763042	2-103
63244-2	3-3	71868	3-11	763090	2-117
63245-1	3-19	71869	3-11	763114	3-19
63378	2-53	71874	3-11	763115	3-52, 3-53
63430	3-59, 3-61	71941	2-19	763116	2-105, 3-19, 3-25, 3-33
63448	3-59, 3-61	72897	2-101	76316	2-171, 3-17
63451	3-59, 3-61	72926	2-91	76426	2-143
63468	2-125	72968	3-39, 3-61	76570	2-69, 2-139, 2-145
63810	2-29, 2-31, 2-33, 2-38, 2-45, 2-47, 2-141, 3-3, 3-5, 3-13, 3-23, 3-25, 3-31, 3-33, 3-41, 3-43, 3-63	72970	2-17	768481	2-17
63923	4-26	73027	2-17	76888	2-15
63987-1	3-39	73260	3-3, 4-26	76958	2-67
64379	2-109	73281	2-91	769785	3-63
64425	2-125, 2-127, 2-129, 2-131, 2-133, 3-7	73342	4-3	77003	4-11, 4-19, 4-21, 4-23
64743	3-19	73411	2-99	77005	4-11, 4-13, 4-15, 4-17, 4-19, 4-21, 4-23
64778	3-39, 3-63	73433	3-3	77006	4-19
65145-1	2-165	73468	3-3	77097	2-109, 2-111, 2-121, 2-129, 2-133, 2-171, 2-173, 3-11
65180	2-125	73471	2-29, 2-31, 2-38, 2-45, 2-77, 2-85, 2-87	77098	2-117, 3-11
65215	2-169	73736	2-13	77221	2-237
65230	4-9	74077	2-21	77345	2-91
65241	4-8	74090	2-139, 2-145	78122	2-53
65441	2-97	74094	4-8, 4-9	78398	3-3, 4-3
65580	3-61	74095	4-8	78829	4-3
65581	3-39	74098	4-8, 4-11, 4-19, 4-21, 4-23	78830	4-3
65695	2-113, 2-115	74099	4-8	78833	4-3
67004	3-59, 3-61	74100	4-8, 4-9	78836	4-3
67555	2-117	74122	4-5	78838	4-3
67767	2-45, 2-77, 2-97	74123	4-5	78839	4-3
67811	2-165	74125	4-5	78840	4-3
68866	2-97	74165	4-5	78841	4-3
68869	2-89	74166	4-5	78842	4-3
69173	2-171, 2-173	74167	4-5	78843	4-3
69234	2-53, 2-65	74168	4-5	78875	4-26
69582	2-95	74180	4-7	78950	4-27
69657	3-59, 3-61	74183	4-25	78951	4-27
69659	3-59, 3-61	74185	4-25	78952	4-27
69785	2-136	74193	4-25	79273-1	3-23, 3-25
70096	4-7	74196	4-25	79273-2	2-141
70100	4-7	74222	4-25	79380	2-147
70157	2-9	74225	4-7	79381	2-71, 2-73, 2-77, 2-85, 2-87
70563	2-113, 2-115	74226	4-7	79484	3-3
70622	2-17	74232	4-25	79497	3-3
70623	2-17	74233	2-147, 4-10	79506	2-139, 2-145
70709	2-17	74237	4-7	79729	4-5
70717	2-17	74243	4-25	79828	4-5
71204	2-121	74244	4-25	80288	2-9
71340	2-91	74245	4-25		
		74250	4-8, 4-9		
		74440	2-99		
		74454	2-149		

# CROSS REFERENCE

Part Number	Page Number	Part Number	Page Number	Part Number	Page Number
80395	2-123, 2-139, 2-145	9002709	4-3	9007553	2-47
80409	2-125	9003009	4-30	9007882	3-37, 4-29
80950	2-125	9003068	2-136	9007883	4-29
81784	2-129, 2-133	9003069	2-135	9007912	2-13
81952	2-125	9003070	2-136	9007913	2-13
82727	2-9	9003071	2-135	9008193	6-29
82739	2-107	9003313	2-143	9008197	2-23, 5-7
82832	2-91	9003345	5-3	9008248	2-91
82839	3-13	9003390	2-31, 2-33	9008757	4-30
83578	2-29, 2-31, 2-38, 2-45	9003391	2-41	9008804	6-29
83874	1-1, 2-123	9003422	2-9	9008805	6-25, 6-29
83879	2-99	9003423	2-9	9008806	6-30
84170	2-99	9003425	2-9	9008807	6-30
84597	1-2	9003426	2-9	9008808	6-30
86508	3-3	9003428	2-9	9008848	4-30
86636	2-143	9003429	2-9	9008868	3-29, 4-30
86659	2-93	9003431	2-9	9010085	3-57
86751	2-95	9003432	2-9	9010086	3-57
86759	3-7	9003433	2-9	9010096	2-83
86866	2-117	9003449	2-143	9010097	2-83
87536	2-13	9003453	2-13	9010215	6-22
87631	2-113, 2-115	9003455	2-147	9010217	6-20
87730	2-49	9003461	2-147	9010219	6-20
87738	2-85, 2-87	9003610	2-51	9010222	6-17
87816	2-129, 2-133	9003793	2-139	9010223	6-17
87866	1-1, 2-13	9003794	2-145	9010224	6-17
9000355	2-49, 2-51	9003832	2-73	9010225	6-17
9000845	3-51, 3-53	9003926	3-69	9010226	6-17
9000846	3-49, 3-52	9004117	2-135	9010227	6-17
9000879	3-49, 3-51, 3-52, 3-53	9004475	4-21, 4-23	9010228	6-17
9001310	3-63	9004493	2-123	9010229	6-17, 6-21
9001314	3-55	9004674	5-11	9010230	6-17
9001316	3-68	9004675	5-11	9010231	6-17
9001321	3-47	9004880	2-13	9010232	6-18
9001327	3-49	9004983	2-73	9010233	6-18
9001331	3-51	9005165	2-135, 2-136	9010234	6-18
9001334	3-59, 3-61	9006257	3-69	9010235	6-18
9001338	3-67	9006334	2-7, 2-107, 3-13	9010236	6-18
9001717	3-53	9006386	2-115	9010237	6-18
9001718	3-52	9006398	2-113, 2-115	9010238	6-18
9002380	2-9	9006592	2-51	9010239	6-16, 6-18
9002381	2-9	9006618	2-41, 6-30	9010240	6-18, 6-19
9002391	2-13	9006619	2-33, 2-41, 6-28	9010241	6-18
9002392	2-13	9006620	2-47	9010242	6-18
9002393	2-77	9006634	2-23	9010243	6-19
9002394	2-71, 2-73	9006635	2-23	9010244	6-19
9002395	2-49	9006811	2-81	9010245	6-20
9002398	2-169	9006813	2-81	9010246	6-20
9002399	2-7	9006895	2-23	9010247	6-25
9002400	2-7	9006917	2-67	9010248	6-25
9002401	2-7	9007088	2-67	9010249	6-25
9002409	2-9	9007131	3-47	9010250	6-9
9002435	2-13	9007142	2-165	9010251	6-9
9002553	1-1	9007380	1-1, 2-47	9010252	6-9
9002554	1-1	9007381	1-1	9010253	6-9, 6-21
9002555	1-1	9007382	1-1	9010255	6-25
9002613	1-1	9007423	2-41, 6-30	9010256	6-25
9002683	2-149	9007424	2-41, 6-30	9010257	6-25
9002684	2-147	9007513	2-7	9010258	6-25
9002708	4-3	9007552	2-47	9010259	6-25

# CROSS REFERENCE

Part Number	Page Number	Part Number	Page Number	Part Number	Page Number
9010260	6-25	9010374	6-21	9010470	6-5
9010261	6-25	9010375	6-21	9010471	6-5
9010262	6-16, 6-25, 6-29	9010376	6-21	9010473	6-5
9010263	6-25	9010377	6-21	9010479	6-5
9010264	6-25, 6-29	9010380	6-21	9010480	6-5
9010266	6-27, 6-28	9010382	6-15	9010481	6-5
9010267	6-28	9010383	6-15	9010482	6-5
9010268	6-27, 6-28	9010384	6-15	9010483	6-5
9010269	6-28	9010391	6-29	9010484	6-5
9010270	6-28	9010419	6-3	9010485	6-5
9010271	6-28	9010420	6-3	9010487	6-7
9010272	6-29	9010421	6-3	9010488	6-7
9010273	6-29	9010422	6-3	9010489	6-7
9010274	6-29	9010423	6-3	9010490	6-7
9010275	6-29	9010424	6-3	9010491	6-7, 6-9
9010276	6-29	9010425	6-3	9010492	6-7
9010277	6-29	9010426	6-3, 6-12	9010493	6-7
9010278	6-29	9010427	6-3	9010494	6-7
9010279	6-29	9010428	6-3	9010495	6-7
9010280	6-29	9010429	6-3	9010496	6-7
9010281	6-15	9010430	6-3	9010497	6-7
9010282	6-15	9010431	6-3, 6-5	9010498	6-7
9010283	6-15	9010432	6-3	9010502	6-7
9010284	6-15	9010433	6-3	9010503	6-7, 6-13
9010285	6-15	9010434	6-3	9010504	6-7
9010286	6-15	9010435	6-3	9010505	6-7
9010287	6-15	9010436	6-3	9010506	6-7
9010288	6-15	9010437	6-3	9010507	6-7
9010289	6-22, 6-23	9010438	6-3	9010508	6-7
9010290	6-22	9010439	6-3	9010511	6-7
9010291	6-22	9010440	6-3	9010512	6-7
9010293	6-22	9010441	6-3, 6-5	9010513	6-10
9010294	6-22	9010442	6-3	9010514	6-10
9010295	6-22	9010443	6-3	9010515	6-10
9010296	6-16	9010444	6-3	9010516	6-10
9010297	6-16	9010445	6-3	9010517	6-10
9010298	6-16	9010446	6-3	9010518	6-10
9010302	6-16	9010447	6-3	9010519	6-10
9010303	6-16	9010448	6-3	9010520	6-10
9010305	6-23	9010449	6-3	9010521	6-10
9010306	6-23, 6-26	9010450	6-3	9010522	6-10
9010307	6-23	9010451	6-3	9010523	6-10
9010308	6-23	9010452	6-3	9010524	6-10
9010309	6-23	9010453	6-3	9010525	6-10
9010310	6-23	9010454	6-3	9010526	6-10
9010311	6-7	9010455	6-3	9010527	6-10
9010312	6-7	9010456	6-3	9010528	6-10
9010313	6-7	9010457	6-3	9010529	6-10
9010314	6-30	9010458	6-3	9010530	6-9
9010317	6-29	9010459	6-3	9010531	6-9
9010327	6-26	9010460	6-4	9010532	6-9
9010330	6-27	9010461	6-4	9010533	6-9
9010331	6-27	9010462	6-4	9010534	6-9
9010359	6-18	9010463	6-4	9010535	6-9
9010360	6-18	9010464	6-4	9010536	6-9
9010366	6-25	9010465	6-4	9010537	6-9
9010367	6-25	9010466	6-4	9010538	6-9
9010371	6-21	9010467	6-5	9010539	6-9
9010372	6-21	9010468	6-5	9010540	6-9
9010373	6-21	9010469	6-5	9010541	6-9

## CROSS REFERENCE

Part Number	Page Number	Part Number	Page Number
9010542	6-9	9010608	6-13
9010543	6-9	9010609	6-13
9010544	6-9	9010610	6-13
9010545	6-9	9010612	6-13
9010546	6-9	9010613	6-15
9010547	6-9	9010615	6-15
9010548	6-9	9010617	6-15
9010549	6-9	9010618	6-15
9010550	6-9	9010619	6-16
9010551	6-9	9010622	1-1, 6-19
9010552	6-9	9010623	6-17
9010553	6-9	9010624	6-17
9010554	6-9	9010625	6-17
9010555	6-9	9010626	6-29
9010556	6-9	9010627	6-21
9010557	6-9	9010628	6-21
9010559	6-9	9010629	6-21
9010560	6-9	9010630	6-21
9010561	6-9	9010631	6-21
9010562	6-9	9010633	6-22
9010563	6-9	9010634	6-30
9010564	6-9	9010904	2-87
9010565	6-9	9010910	6-22
9010567	6-9	9011343	4-17, 4-23
9010568	6-9	9011345	4-17, 4-23
9010569	6-9	9011346	4-17, 4-23
9010570	6-11	9011347	4-17, 4-23
9010571	6-11		
9010572	6-11		
9010574	6-11		
9010575	6-11		
9010576	6-11		
9010577	6-11		
9010578	6-11		
9010579	6-11		
9010580	6-11		
9010581	6-12		
9010582	6-12		
9010583	6-12		
9010585	6-12		
9010586	6-12		
9010587	6-12		
9010589	6-12		
9010590	6-12		
9010591	6-12		
9010592	6-12		
9010593	6-12		
9010594	6-12		
9010595	6-12		
9010596	6-12		
9010597	6-12		
9010598	6-12		
9010599	6-12		
9010600	6-11, 6-12		
9010601	6-12		
9010602	6-13		
9010603	6-13		
9010604	6-13		
9010606	6-13, 6-15		
9010607	6-13		

PART DESCRIPTION TO PAGE NUMBER CROSS REFERENCE LIST

**A**

Ace, Thrust, Motor, Hyd [En], 4-9  
 Actuator [Mit , Bosch], 6-27, 6-28  
 Actuator, Valve, By-Pass [En], 4-7  
 Adapter [1.6], 2-37  
 Adapter [E100 Mixer Gm 1.6l 2010], 2-33, 2-41, 6-28  
 Adapter, Filter, Oil, Remote [Mit], 6-21  
 Adapter, Intake, Throttle Body, 2-29, 2-31, 2-41  
 Adapter, Plate, 2-37  
 Adapter, Rod-End, Side Brush, 3-11  
 Adapter, Throttle Body, 2-37  
 Adapter, Valve, 400mm [Bosch], 2-41  
 Adapter, Valve, Fuel Trim, 2-37  
 Adjuster Assy, Lash, 6-9  
 Alarm Assy, Backup, 12/48Vdc, 3-47  
 Alarm Kit, Backup, Ci [M20 And T20], 3-47  
 Alarm, 9-48vdc, 95 Db(A) [Ec-H20], 3-37  
 Alarm, Warning [Sonalert, St628], 2-89  
 Alternator, 12vdc 075a [Multi Grv], 2-67  
 Alternator, 7si [Mit Df Sur-Belt], 6-20  
 Angle, Brace, Shrd, 2-21  
 Angle, Lh, 2-121  
 Angle, Mtg, 2-99  
 Angle, mtg, Antenna, Telem, 3-57  
 Angle, Mtg, Stl, .12 1.6 1.6 02.2l, 2-167  
 Angle, Mtg, Valve, 3-13  
 Angle, Retainer, 2-103  
 Angle, Rh, 2-121  
 Angle, Sppt, Fan, 2-147  
 Angle, Sppt, Tank, Rear, 2-135  
 Antenna, Telem, 70 In [Gprs], 3-57  
 Arm [Positioning], 2-99  
 Arm Assy, Rocker [A], 6-9  
 Arm Assy, Rocker [B], 6-9  
 Arm Assy, Rocker [C], 6-9  
 Arm Assy, Tensioner, 6-9  
 Arm Wldt, Alternator [Mit 2013], 2-69  
 Arm Wldt, Lift, Sqge, Lh, 2-133  
 Arm Wldt, Safety, Sppt, Seat, .38d 06.5d, 2-15  
 Arm Wldt, Safety, Sppt, Seat, .38d 10.1l, 2-143  
 Arm Wldt, Sqge, Lift, Rh, 2-129  
 Arm, Cntrl, Pintle, Centering, 2-99  
 Arm, Lever, Brake, 4.1 [Knott], 2-93  
 Arm, Link, 3-11  
 Arm, Pinch, 2-139, 2-145  
 Arm, Pintle, 2-99  
 Arm, Rocker, Valve, 5-3  
 Arm, Sqge, Side, Lh, 2-133  
 Arm, Sqge, Side, Rh, 2-129

**B**

Bag, Power, 3-61  
 Ball, Camshaft, 5-11  
 Bar Wldt, Retainer, Sqge, Rear, 2-123

Bar, Flat, Ss, .06 X .50 X 10.0l 2/.19sl, 2-13  
 Bar, Flat, Stl 0.19, 01.50 X 04.1l, 2-91  
 Bar, Isolator, Vacfan [M20 2007], 2-149  
 Bar, Mtg, Hppr, 2-103  
 Bar, Mtg, Hppr Cover, 2-105  
 Bar, Retainer, 3-7  
 Bar, Rnd, Plstc, 0.31d 12.5l, 2-135, 2-136  
 Bar, Tensioner, Mtg [Mit 2.0/2.4l], 6-17  
 Base Assy, Fan, W/O Pulley, 2-67  
 Battery, 12vdc, 0475cca, Ah, Wet, 2-89  
 Battery, Wet, 12vdc 0475cca, 1-1  
 Bearing Kit [CI], 4-25  
 Bearing Kit, Cshft, 1.989-1.995mm (Brown), 5-5  
 Bearing Kit, Cshft, 1.989-1.995mm (Green Blue), 5-5  
 Bearing Kit, Cshft, 1.995-2.001mm (Brown Blue), 5-5  
 Bearing Kit, Cshft, 1.995-2.001mm (Green), 5-5  
 Bearing Kit, Cshft, 2.114-2.120mm, 5-5  
 Bearing Kit, Cshft, 2.120-2.126mm, 5-5  
 Bearing Kit, Rod, Connecting, Std, 5-5  
 Bearing, Ball, 0.98b 2.05d 0.59w, 2-113, 2-115  
 Bearing, Ball, 1.18b 2.44d 0.63w, 2-93  
 Bearing, Ball, 20mm B 42mm D 12mm W, 2-67, 2-69  
 Bearing, Cone, 1.38b 0.71w, 2-91  
 Bearing, Cone, Pump, Hyd, 4-7  
 Bearing, Cshft [ Black Std 3], 6-3  
 Bearing, Cshft [ Green Std 3], 6-3  
 Bearing, Cshft [ Lan Std 1,2,4,5], 6-3  
 Bearing, Cshft [ Lan Std 3], 6-3  
 Bearing, Cshft [ No Color Std 3], 6-3  
 Bearing, Cshft [ Red Std 1,2,4,5], 6-3  
 Bearing, Cshft [ Yellow Std 3], 6-3  
 Bearing, Cshft [Green Std 1,2,4,5], 6-3  
 Bearing, Cshft [Yellow Std 1,2,4,5], 6-3  
 Bearing, Cshft[No Color Std 1,2,4,5], 6-3  
 Bearing, Cup, 4-7  
 Bearing, Cup, 2.56d 0.55w, 2-91  
 Bearing, Fng, 2-Hole, 0.50b, 2-17  
 Bearing, Fng, 2hole, 0.50b [Nyl], 2-17  
 Bearing, Oversize [1.0], 6-3  
 Bearing, Pillowblock, 1.02b [Solid Pye], 2-95  
 Bearing, Rod, Connect [ Lan Std], 6-10  
 Bearing, Rod, Connect [No Color Std], 6-10  
 Bearing, Rod, Connect [Yellow Std], 6-10  
 Bearing, Self Align, 0.75b 1.25d, 2-117  
 Bearing, Self Align, 1.25b 2.00d, 2-101  
 Bearing, Shaft, Balancer [ Ovrz], 6-3  
 Bearing, Shaft, Std, Balancer, 6-3  
 Bearing, Split, 1.00b, 2-95  
 Bearing, Std, Balancer, 6-3  
 Bearing, Thrust, 4-9  
 Bearing, Thrust, 0.53b 1.00d 0.03w, 3-11  
 Bearing, Thrust, Cshft, 6-3

Bearing, Thrust, Pump, Hyd, 4-7  
 Bellcrank, Lift, Sqge, 2-121  
 Belt, Ribbed [V], 6-13  
 Belt, Ribbed, 38.5l, 1-1, 2-67  
 Belt, Ribbed, Alternator, 41.5l, 2-69  
 Belt, Ribbed, Fan, 42.13l, 2-69  
 Belt, Timing, 6-9, 6-11  
 Belt, Timing [Gm1.6l], 5-11  
 Belt, Timing, Tensioner, 6-11  
 Blade, Sqge, .38 3.55w 038.3l, Linatex, 2-127, 2-131  
 Blade, Sqge, .38 3.55w 038.3l, Ure, 1-1  
 Blade, Sqge, .38 3.55w 038.3l, Ure (Option), 2-127, 2-131  
 Blade, Sqge, 37.08l Linatex, 1-1  
 Blade, Sqge, Front [Linard], 1-1  
 Blade, Sqge, Front, 49.58l Linatex, 2-123  
 Blade, Sqge, Front, 49.58l Ure (Option), 2-123  
 Blade, Sqge, Front, 49.59l Pyu, 1-1  
 Blade, Sqge, Rear, 53.78l Pyu, 1-1  
 Blade, Sqge, Rear, 53.78l Ure (Option), 2-123  
 Blade, Sqge, Rear, Linatex, 1-1, 2-123  
 Blade, Sqge, Side Brush, Linatex, 1-2, 3-9  
 Blade, Sqge, Side Brush, Urethane, 1-2, 3-9  
 Block Assy, Cylinder, 6-3  
 Block, Centering, 2-121  
 Block, Guide, Hppr, 2-7  
 Block, Short, Eng, W/ Piston & Ring, 5-5  
 Block, Spacer, 2-69  
 Bolt, 6-7, 6-21  
 Bolt, 3/8-16 X 1 1/4 Hxhd [Mit], 6-17  
 Bolt, 3/8-16 X 4.5 [Mit], 6-17  
 Bolt, Belt, Balancer, Train, 6-11  
 Bolt, Bracket, Sensor,Cshft Position, 5-7  
 Bolt, Bracket,Screen,Oil Pump,M6x1x1, 5-7  
 Bolt, Camshaft Cover, 5-3  
 Bolt, Cap, Bearing, 6-3  
 Bolt, Carriage, M06 X 1.0 X 30, 2-109, 2-111  
 Bolt, Carriage, M06 X 1.00 X 40, 4.6, 3-37  
 Bolt, Carriage, M10 X 1.5 X 70, 2-125  
 Bolt, Connecting, 6-10  
 Bolt, Connecting Rod, 5-5  
 Bolt, Cover, Camshaft, M6 X 1 X 22, 5-11  
 Bolt, Cover, Oil Pump, M6 X 14, 5-7  
 Bolt, Cover, Water Pump, 5-7  
 Bolt, Eng Cover, M6 X 1 X 13, 5-11  
 Bolt, Eye, .25-20 X 1.40 X .25 Eye, 2-99  
 Bolt, Eye, M08 X 1.25 X 070mm, 05.50 Eye, 2-129, 2-133  
 Bolt, Eye, M10 X 1.5 X 117mm, 8.0 Eye, 2-121  
 Bolt, Flange, 6-3, 6-5, 6-7, 6-9, 6-11, 6-12, 6-13, 6-15  
 Bolt, Flywheel, 5-5  
 Bolt, Flywheel [Mit 20/24m], 6-18  
 Bolt, Head, Cyl, 5-3

## CROSS REFERENCE

- Bolt, Hsng, Thermostat, 5-3  
Bolt, M06 X 1.00 X 13mm, 5-8  
Bolt, M08 X 1.25 X 25mm, 5-5  
Bolt, M10 X 1.50 X 75mm, 5-5  
Bolt, M10-1.25 X 20 Hxhd [Mit], 6-25  
Bolt, M10-1.25 X 30 Soc Hd [Mit], 6-18  
Bolt, M10-1.25 X 45 Soc Hd [Mit], 6-18  
Bolt, M10-1.50 X 30 [Mit], 6-20  
Bolt, M12 X 1.75 X 62mm, 5-5  
Bolt, M12-1.75 X 25, Hex Hd [Mit], 6-18  
Bolt, M6-1.0 X 10 Fl Hd [Mit], 6-16, 6-25, 6-29  
Bolt, M6-1.0 X 12 Fl Hd Pl [Mit], 6-25  
Bolt, M6-1.0 X 16 Fl Hd [Mit], 6-25  
Bolt, M6-1.0 X 20 Fl Hd [Mit], 6-18, 6-19  
Bolt, M6-1.0 X 25 Soc Hd [Mit], 6-28  
Bolt, M6-1.0 X 30 Fl Hd [Mit], 6-25  
Bolt, M6-1.0 X 45, Skt Hd [Mit], 6-27  
Bolt, M6-1.0 X 85 Soc Hd [Mit], 6-28  
Bolt, M8-1.25 X 12 [Mit], 6-23  
Bolt, M8-1.25 X 15, Hx Hd [Mit], 6-18  
Bolt, M8-1.25 X 16 Fl Hd [Mit], 6-29  
Bolt, M8-1.25 X 16, Soc Hd [Mit], 6-26  
Bolt, M8-1.25 X 20 Fl Hd [Mit], 6-17  
Bolt, M8-1.25 X 25 [Mit], 6-17, 6-21  
Bolt, M8-1.25 X 25 Flg Hd [Mit], 6-23  
Bolt, M8-1.25 X 25 Soc Hd [Mit], 6-17  
Bolt, M8-1.25 X 65 Hxhd [Mit], 6-9  
Bolt, M8-1.25 X 70 Hxhd [Mit], 6-9, 6-21  
Bolt, Manifold, Inlet, 6-15  
Bolt, Motor, Hyd, 4-5  
Bolt, Oil Pump Screen/Camshaft Cover, 5-7  
Bolt, Pan, Oil, 5-8  
Bolt, Pulley, Cshft, 5-5  
Bolt, Pump, Oil, 5-7  
Bolt, Retainer, Camshaft, M6 X 1 X 16, 5-11  
Bolt, Rocker, Cover, 6-4  
Bolt, Sensor, Position, Cshft, 5-7  
Bolt, Shield, Manifold, Exhaust, 5-9  
Bolt, Shld, .31d X 1.00, .25-20, 2-99  
Bolt, Shld, 1.37d X 5.13l, 1.1-18 Drilled, 2-91  
Bolt, Soc Head, M5 X 80 X 35, 2-41  
Bolt, Sprocket, Camshaft, M10x1.25x60, 5-11  
Bolt, Sprocket, Cshft, 6-10  
Bolt, Tensioner [GM], 5-11  
Bolt, Tensioner, Timing Belt, M8x1.25x48, 5-11  
Bolt, Tube [Pvc], M6 X 1 X 15, 5-3  
Bolt, Washer, 6-9, 6-10, 6-12, 6-17  
Boot, .63id .29l .90w, 2-13  
Boot, Bellows, 3.1l 4.4w 2.8h 1hole, Neo, 2-17  
Boot, Circuitbreaker, 3-37  
Boot, Switch, Ignition, 2-13  
Bracket Assy, Coil, Ignition, 6-7  
Bracket Kit, Alternator, Repair, 2-67  
Bracket Wldt, Alternator [Mit13], 2-69  
Bracket Wldt, Alternator, Lower [Gm1.6l], 2-67  
Bracket Wldt, Brush Wrap Mtg, Rh, 2-117  
Bracket Wldt, Brush Wrap, Lh, 2-117  
Bracket Wldt, Cooler, Hyd Fluid, 2-167  
Bracket Wldt, Flap, Recirculation, 2-119  
Bracket Wldt, Guard, Sqge, 3-67  
Bracket Wldt, Latch, 2-19  
Bracket Wldt, Mtg [FaST Gen 2+], 3-29  
Bracket Wldt, Mtg [FaST], 3-21  
Bracket Wldt, Mtg, Caster, 2-125  
Bracket Wldt, Mtg, Eng, 2-23  
Bracket Wldt, Mtg, Eng, Back, Gas/Lpg, 2-23  
Bracket Wldt, Mtg, Eng, Rear [Mit 2013], 2-25, 2-27  
Bracket Wldt, Mtg, Engine [Mit 2013], 2-25, 2-27  
Bracket Wldt, Mtg, Fan, Upper, 2-81  
Bracket Wldt, Mtg, Hose, 2-9  
Bracket Wldt, Mtg, Reg, Lpg[Gm 2010], 2-47  
Bracket Wldt, Mtg, Regulator, Lpg, 2-45  
Bracket Wldt, Mtg, Side Brush, 3-7  
Bracket Wldt, Mtg, Side Brush Fixed, 3-9  
Bracket Wldt, Mtg, Sqge, 2-125  
Bracket Wldt, Mtg, Tank, 2-9  
Bracket Wldt, Pivot, Hppr Door, Lh, 2-109, 2-111  
Bracket Wldt, Pivot, Hppr, Rh, 2-111  
Bracket Wldt, Propel, Pintle, 2-99  
Bracket Wldt, Steering, Tilt, 2-17  
Bracket Wldt, Tank, Soltn, Rh, 2-135  
Bracket Wldt, Tilt, Rh, 2-17  
Bracket, Anchor, Strap, Alternator, 2-67  
Bracket, Coil [Mit 2.0/2.4], 6-19  
Bracket, Cover, 2-81, 2-109, 2-111  
Bracket, Cover, Hopper, 2-109, 2-111  
Bracket, Cover, Hppr, 2-105  
Bracket, Fan, Lh, 2-81  
Bracket, Fan, Rh, 2-81  
Bracket, Fan, Upper, Lh, 2-81  
Bracket, Filter, Oil, Remote [Mit], 6-21  
Bracket, Ftg, Bh, 2-77  
Bracket, Guide, Shrd, 2-21  
Bracket, Indicator, Timing, 6-9  
Bracket, Keeper, Latch, 2-136  
Bracket, Latch, Cover, 2-21, 2-136, 3-65  
Bracket, Latch, Keeper [Southco], 2-21  
Bracket, Latch, Shrd, Seat, 2-15  
Bracket, Lip, Hppr, 2-109, 2-111  
Bracket, Mtg, 2-9  
Bracket, Mtg [Ecu], 2-29, 2-37  
Bracket, Mtg [FaST Gen 2+], 3-29  
Bracket, Mtg [FaST], 3-21  
Bracket, Mtg, Alternator [Mit 2013], 2-69  
Bracket, Mtg, Cable, 2-95  
Bracket, Mtg, Cover (Replaced by 9003893), 2-143  
Bracket, Mtg, Cover, Recvy Tank, 2-143  
Bracket, Mtg, Cyl, 2-99, 2-129, 2-133  
Bracket, Mtg, Detgt And Spray Wand, 3-5  
Bracket, Mtg, Ecu, 2-41  
Bracket, Mtg, Ecu [M20/T20 2007], 2-31, 2-33  
Bracket, Mtg, Fan, 2-147  
Bracket, Mtg, Fltr, Air, 2-55, 2-57, 2-61, 2-63  
Bracket, Mtg, Fltr, Air [Mit 2013], 2-59, 2-65  
Bracket, Mtg, Fuel, 2-49  
Bracket, Mtg, Insulation, 2-9  
Bracket, Mtg, Latch, 2-77  
Bracket, Mtg, Latch, Tank Cover, 2-135, 2-136  
Bracket, Mtg, Lift, Scb Head, 2-117  
Bracket, Mtg, Mirror, Rearview, 3-55  
Bracket, Mtg, Motor, 2-147, 2-149  
Bracket, Mtg, Muffler [M20/T20 2007], 2-73, 2-75  
Bracket, Mtg, Prop Rod, 2-143  
Bracket, Mtg, Radiator, 2-77, 2-81, 2-83  
Bracket, Mtg, Scb Head, Lh, 2-117  
Bracket, Mtg, Scb Head, Rh, 2-117  
Bracket, Mtg, Skirt, 2-119  
Bracket, Mtg, Skirt, Brush Door, 2-127, 2-131  
Bracket, Mtg, Skirt, Door, 2-127, 2-131  
Bracket, Mtg, Skirt, Door, Brush, 2-127, 2-131  
Bracket, Mtg, Sppt, 2-91  
Bracket, Mtg, Spray Handle, 3-63  
Bracket, Mtg, Spray Wand [FaST, Conv], 3-63  
Bracket, Mtg, Spring, 2-117  
Bracket, Mtg, Sqge, 3-7  
Bracket, Mtg, Strainer, 3-5  
Bracket, Mtg, Switch, 2-107  
Bracket, Mtg, Vacuum Wand, 3-59  
Bracket, Mtg, Valve, 2-141, 3-3  
Bracket, Mtg, Valve [Combined], 2-173  
Bracket, Mtg, Valve, Hyd, Scb, 2-171  
Bracket, Mtg, Valve, Hyd, Swp, 2-171  
Bracket, Mtg, Valve, Lower, 2-173  
Bracket, Muffler, 2-75  
Bracket, Muffler, Hanger, Front, 2-71  
Bracket, Pivot, Hppr Door, Rh, 2-109  
Bracket, Propel, G/Lpg [Mit 2013], 2-99  
Bracket, Propel, Gas/Lpg, 2-99  
Bracket, Protector, Float Switch, 2-143  
Bracket, Pulley, Tensioner, 6-9  
Bracket, Pump, Mtg, 6-17  
Bracket, Reg [1.6l], 2-37  
Bracket, Retainer, Lh, 2-113  
Bracket, Retainer, Pump, 3-29  
Bracket, Retainer, Rh, 2-115  
Bracket, Retainer, Safety, 2-99  
Bracket, Retainer, Shield, Heat, 2-71  
Bracket, Retainer, Spring, 2-5  
Bracket, Retaining, Hose, 2-139, 2-145, 3-65  
Bracket, Retaining, Wire, Sparkplug, 5-12  
Bracket, Screen, Oil Pump, 5-7  
Bracket, Seat, Adj, 2-15  
Bracket, Sensor, Position, Cshft, 5-7  
Bracket, Shield, Heat, 2-21  
Bracket, Shrd, Fan, Lower, Sppt, G/Lpg, 2-83

Bracket, Shrd, Fan, Upper, Sppt, G/Lpg, 2-83  
 Bracket, Skirt, Rbr, 2-81  
 Bracket, Soltn, Tank, Cntr, 2-135  
 Bracket, Spacer, Controlbox, 3-57  
 Bracket, Sppt, 2-113, 2-115  
 Bracket, Sppt, Cover, Tank, Recvy, 2-143  
 Bracket, Sppt, Radiator, Upper, 2-78  
 Bracket, Sppt, Strobe Light, 3-47, 3-49  
 Bracket, Sppt, Strobel Light, 3-51  
 Bracket, Sppt, Tank, Lh, 2-143  
 Bracket, Sppt, Tank, Rh, 2-143  
 Bracket, Tank, Soltn, Lh, 2-135  
 Bracket, Tensioner, [Mit 2.0/2.4], 6-17  
 Bracket, Tilt, Lh, 2-17  
 Bracket, Tube, Coolant, 2-85  
 Bracket, Valve, Sba [M20 And T20], 3-15  
 Bracket, Vaporizer [Mit 20/24m Tilt], 6-29  
 Brake Assy, Drum, Mech, 07.0d 1.2w, 2-93  
 Brush Assy, Disk, Scrubbing, 16.0 D, Heavy Duty Polypropylene, 2-5  
 Brush Assy, Disk, Scrubbing, 16.0 D, Soft Nylon, 2-5  
 Brush Assy, Disk, Scrubbing, 16.0 D, Super Abrasive, 2-5  
 Brush Assy, Disk, Sweep, 24.0d, Polypropylene, 2-5  
 Brush, Sweep / Scb, 40L, Heavy Duty Polypropylene, 2-4  
 Brush, Sweep / Scb, 40L, Polyester, 2-4  
 Brush, Sweep / Scb, 40L, Polypropylene, 2-4  
 Brush, Sweep / Scb, 40L, Super Abrasive, 2-4  
 Brush, Sweep / Scb, 40L, Wndw, Super Abrasive, 2-4  
 Brush, Sweep / Scb, 40L, Wndw, Polypropylene, 2-4  
 Bumper Wldt, Brush, Side, 3-7, 3-9  
 Bumper, Rbr, 0.5d 0.16t M5 X 08, 2-99  
 Bumper, Rbr, 0.6d 0.34t .3d Tip, 2-167  
 Bumper, Sqge, 2-123  
 Bumper, Ure, 1.50d 1.25l, 3-67  
 Bushing, 6-3, 6-5  
 Bushing, Eccentric, Adj, 2-139, 2-145  
 Bushing, Flng, 0.32b 0.50d 0.24l, Bnz, 2-125  
 Bushing, Flng, 0.50b 0.59d 0.38l, 2-139, 2-145  
 Bushing, Flng, 0.63b 0.75d 0.38l, 2-125, 2-127, 2-131  
 Bushing, Flng, 1.00b 1.13d 0.50l, 2-111, 2-121  
 Bushing, Knock, 6-3  
 Bushing, M06-1.50 X .25-27npt, 2-29, 2-37  
 Bushing, Pivot, Door, 2-109  
 Bushing, Sleeve, 0.37b 0.50d 0.50l, Oib, 2-95  
 Bushing, Sleeve, 0.50b 0.59d 0.50l, Bnz, 3-11

Bushing, Sleeve, 0.62b 0.72d 0.50l, Fgl, 2-125  
 Bushing, Sleeve, 0.63b 0.72d 0.38l, 2-129, 2-133  
 Bushing, Sleeve, 0.75b 0.88d 0.25l, 2-139, 2-145  
 Bushing, Sleeve, 0.75b 0.88d 0.75l, Tef, 2-109  
 Bushing, Sleeve, 0.78b 0.86d 0.93l, Bnz, 2-93  
 Bushing, Sleeve, 0.88b 1.00d 0.75l, Bnz, 2-101  
 Bushing, Sleeve, 1.00b 1.13d 1.50l, Fgl, 3-11  
 Button, Cntrl, Horn, 2-17  
 Bypass Valve Kit, Pump, Repair,, 4-27

**C**

Cable, Battery, 02ga 48.0l Red .41ring, 2-89  
 Cable, Battery, 02ga 60.0l Blk .41ring, 2-89  
 Cable, Battery, 2ga, 60l, Red, 2-89  
 Cable, Battery, 2ga, 62l, Blk, 2-89  
 Cable, Glv .06d 012.0l .26eye /.26eye, 3-67  
 Cable, Glv .09d 016.5l .38eye /.38eye, 2-19  
 Cable, Glv .13d 015.8l .50eye /.50eye, 2-129, 2-133  
 Cable, Push / Pull, 063.0l 4.0, .31-24, 2-95  
 Cable, Push / Pull, 098.0l .25-28/.25-28, 2-97  
 Cam, 2-123  
 Cam, Centering, Pintle, 2-99  
 Cam, Front, 3-9  
 Cam, Plt, Brake [Nickel], 2-93  
 Cam, Rear, 2-123  
 Camshaft, 5-11  
 Camshaft Assy, 6-9  
 Cap Assy, Tank, Drain, 2-143, 4-3  
 Cap Screw, 4-8  
 Cap Screw Cl, 4-9  
 Cap, Arm, Lift, 2-107  
 Cap, Breather, Hyd, 2.4 Ds, 1-1, 2-169  
 Cap, End, Valve, Steering, 4-25  
 Cap, Filler, Oil, W/ Org, 5-3  
 Cap, Fuel, Tank, 2-51  
 Cap, Hub, Dust 2.57d 0.77l, 2-93  
 Cap, Oil, Filler, 6-4  
 Cap, Radiator, 14psi [Stant Ao-2516], 2-77  
 Cap, Radiator, 14Psi [Stant], 2-81, 2-83  
 Cap, Rubber, 5/8id [Mit 2.0/2.4], 6-22  
 Cap, Seal, 6-3  
 Cap, Spring, Valve, 5-3  
 Cap, Tank, 3-5  
 Cap, Tank, Fuel, 2.3neck 2.6d, 2-49  
 Capacitor, Plug [4700uf, 25v], 3-46  
 Cartridge, Psi Cntrl, Valve, Hyd, 4-13, 4-15, 4-19, 4-21  
 Caster, Pivot, 2-125  
 Catch, Latch, Tank Cover, 2-135, 2-136

Chain, Str, 4/0, 08 Link, 2-121  
 Channel Wldt, Pivot, 3-11  
 Channel, Shield, Muffler, 2-71  
 Channel, Shield, Muffler [M20/T20 2007], 2-73, 2-75  
 Channel, Upper, Tower, Lift, 2-7  
 Chech Valve Kit, Pump, Repair,, 4-27  
 Circuitbreaker, 02.0a, Resetable, 3-37  
 Circuitbreaker, 2.0a, Resetable, 3-37  
 Clamp Wldt, Front, 2-123  
 Clamp Wldt, Rear, 2-123  
 Clamp, 0.75d [Mit], 6-25  
 Clamp, 1/4 Hole [Mit #20], 6-25  
 Clamp, 3/8id [Mit Olive Green], 6-15  
 Clamp, Cable, Nyl, 0.62D, Nat, 3-57  
 Clamp, Cable, Ss, 0.50d X 0.50w [Insul], 4-29  
 Clamp, Cable, Ss, 1.12d X 0.38w, 1h, 2-141  
 Clamp, Cable, Ss, 2.50d X 1.00w, 1h, 2-9  
 Clamp, Cable, Stil, 0.25D X 0.56W, 1Hole, 3-49, 3-51  
 Clamp, Cable, Stil, 0.44d X 0.62w, 1h, 2-167  
 Clamp, Cable, Stil, 0.69d X 0.62w, 1h, 2-77, 2-97  
 Clamp, Cable, Stil, 0.69d X 0.62w, 1hole, 2-45  
 Clamp, Cable, Stil, 1.00d X 0.75w, 1hole, 2-53, 2-65  
 Clamp, Cable, Stil, 1.25d X 1.00w, 1hole, 2-85  
 Clamp, Cable, Stil, 1.50d X 1.00w, 1h, 2-9, 2-77, 2-89, 2-167, 3-21  
 Clamp, Cable, Stil, 1.50d X 1.00w, 1hole, 2-7, 2-87  
 Clamp, Cable, Stil, 2.00d X 0.75w, 1 Hole, 2-49  
 Clamp, Cable, Stil, 2.00d X 0.75w, 1hole, 2-51  
 Clamp, Hose, 1.0, 2-45, 2-47  
 Clamp, Hose, 1.75 [Pcv], 5-3  
 Clamp, Hose, Plstc .351-.394 Id, 3-21  
 Clamp, Hose, Spring Stil, 0.58d X 0.31w, 2-35, 2-43  
 Clamp, Hose, Spring Stil, 0.86d X 0.38w, 2-55, 2-57, 2-61, 2-63  
 Clamp, Hose, Spring, 0.62d, 2-45, 2-47, 6-22, 6-29  
 Clamp, Hose, Spring, 0.75d, 2-45, 2-47  
 Clamp, Hose, Wir, .52 - .56, Yel, 4-29  
 Clamp, Hose, Wir, .63 - .66, Blk, 4-29  
 Clamp, Hose, Wormdrive, 0.25-0.62d, .31w, 2-29, 2-31, 2-38, 2-45, 2-77, 2-78, 2-85, 2-87, 3-3, 3-5, 3-29, 3-39  
 Clamp, Hose, Wormdrive, 0.31-0.88d, .31w, 2-31, 2-45, 2-49, 2-51, 2-59, 2-65, 2-89, 3-13, 3-19, 3-23, 3-25, 3-29, 3-31, 3-33, 3-39, 3-41, 3-43

## CROSS REFERENCE

Clamp, Hose, Wormdrive, 0.56-1.06d,  
.56w, 2-29, 2-31, 2-33, 2-38, 2-45,  
2-47, 2-141, 3-3, 3-5, 3-13, 3-23,  
3-25, 3-31, 3-33, 3-41, 3-43, 3-63  
Clamp, Hose, Wormdrive, 1.25-2.00d,  
.50w, 2-71, 2-73, 2-77, 2-85, 2-87  
Clamp, Hose, Wormdrive, 1.56-2.50d,  
.50w, 2-77, 2-85, 2-87  
Clamp, Hose, Wormdrive, 1.81-2.75d,  
.50w, 2-55, 2-57, 2-59, 2-61, 2-63,  
2-65  
Clamp, Hose, Wormdrive, 2.50-3.50d,  
.50w, 2-123, 2-139, 2-145  
Clamp, Hose, Wormdrive, 3.56-4.50d,  
.50w, 2-139, 2-145, 2-147, 2-149  
Clamp, Hose, Wormdrive, 3.75-4.62d,  
.62w, 2-147  
Clamp, Hyd, 0.50d, 2-113, 2-115  
Clamp, Mtg, Fltr, Air, 2-55, 2-57, 2-59,  
2-61, 2-63, 2-65  
Clamp, Muffler, 1.62d, 2-71, 2-73  
Clamp, Spring, 1.50, 2-57, 2-63  
Clamp, Tension [Mit #29], 6-29  
Clevis, Adj, 0.25 Pin, 0.25-28 Rh, Pl, 2-95  
Clevis, Adj, 0.25pin, 0.25-28left Pl, 2-95  
Clevis, Adj, 0.31pin, 0.31-24, 2-95  
Clip, .250h, Plstc [Pine-Tree], 2-21  
Clip, Grip, Finger, .875-1.25, 3-63  
Clip, Grip, Finger, 0.88-1.25d, 3-37  
Clip, Grip, Finger, 1.00-1.88d White,Vyl,  
3-59, 3-61  
Clip, Keeper, Open, 2-77, 2-81, 2-83  
Coil, Ignition, 5-12  
Coil, Ignition [Mit 2.0/2.4], 6-19  
Column, Pump, Water, 4-3  
Column, Steering, 09.9L 0.86D 36Tooth,  
2-17  
Complete Pump Kit, Pump, Repair,, 4-27  
Connector, Fem, 02cav, Mp280 Sealed,  
4-27  
Connector, Fuel, E90, Qf, 2-49  
Connector, Fuel, Qf, 2-49, 2-51  
Contact Kit, W/ Brush [En], 2-17  
Control Box Assy Kit, Replmt, Telem  
[CAN], 3-57  
Control Box Assy Kit, Replmt, Telem  
[USA], 3-57  
Controller Kit, Replmt [Ec-H20], 4-29  
Converter, Ele, 12-36 Vdc, 3-37  
Cooler, Hyd, 25gpm 325btu Of12 13x12x2,  
2-167  
Coupler, Pump, 4-7  
Coupling, Drive, 13t, 2-23  
Coupling, Nozzle, Spray, 3-63  
Cover, 6-5  
Cover Assy, Front, Upper [T-Belt], 6-7  
Cover Assy, Rocker, 6-4  
Cover Kit, Soltn Tank, Rh [M20 & T20],  
2-135  
Cover Kit, Switch, Float, Repair, 2-143  
Cover Kit, Tank, Soltn, Lh, Replmt, 2-136  
Cover Kit, Tank, Soltn, Lh, Replmt, Ce  
(Japan and CE Only), 2-136

Cover Kit, Tank, Soltn, Rh, Replmt, Ce  
(Japan and CE Only), 2-135  
Cover Wldt [FaST], 3-21  
Cover Wldt, Power Supply, 3-37  
Cover, Belt, Timing, Lower Front, 5-11  
Cover, Belt, Timing, Upper Front, 5-11  
Cover, Dust [Mit 2.0], 6-18  
Cover, End, 4-7  
Cover, Fuse, Block, 2-89  
Cover, Hose, 2-45, 2-47  
Cover, Hppr, 2-105  
Cover, Hsng, Camshaft, 5-3, 5-11  
Cover, Hsng, Flywheel (Replaced By  
9006895), 2-23  
Cover, Lower, 2-15, 2-21  
Cover, Lower, Front [T-Belt], 6-7  
Cover, Pump, Oil, 5-7  
Cover, Rear [T-Belt], 6-7  
Cover, Tank, 2-143  
Cover, Tank, Recvy, Trimmed, 2-143  
Cover, Tank, Soltn, Lh, Trimmed, 2-136  
Cover, Tank, Soltn, Lh, Trimmed, Ce  
(Japan and CE Only), 2-136  
Cover, Tank, Soltn, Rh, Trimmed, 2-135  
Cover, Tank, Soltn, Rh, Trimmed, Ce  
(Japan and CE Only), 2-135  
Cover, Timing, Gear [Mit 2.0/2.4], 6-9  
Cover, Trimmed, 3-37  
Crank Kit, Pump, F/79323, Replmt, 4-26  
Crankshaft, 5-5  
Crankshaft Assy, 6-10  
Crossmember Wldt [M20], 2-125  
Cup Holder, Rwk, 2-13  
Cylinder Assy, Head, Bolt, 6-5  
Cylinder, Hyd, 1.5b 07.8l 02.75strk 2500,  
3-11  
Cylinder, Hyd, 1.5b 07.8l 02.80strk 2500,  
2-117, 2-121, 2-129, 2-133, 3-11  
Cylinder, Hyd, 2.0B 24.1L 15.00Strk 3000,  
2-101  
Cylinder, Hyd, 2.0b,15.2l,09.00strk,3000,  
2-91

## D

Detergent Pkg, 4 Liter, Sgl [Tco 665], 3-21  
Diaphragm Kit, Pump, Repair,, 4-27  
Diode, Ele, Plug, 2-89  
Dipstick Assy, Guage, 6-3  
Dipstick, Guage, Guide, 6-3  
Dipstick, Oil, 5-8  
Dipstick, Rod, Guage, 6-3  
Door Cyl, Hppr [Mako], 2-109, 2-111  
Door Wldt, Brush, 2-113, 2-115  
Door Wldt, Brush, Idler, 2-113, 2-115  
Door Wldt, Brush, Lh, 2-133  
Door Wldt, Brush, Rh, 2-129  
Door Wldt, Hppr, 2-109, 2-111  
Drain, Water, Joint, 6-3  
Drive, 4-8  
Drive [CI], 4-9  
Drive, Motor, Hyd, 4-5

## E

Elbow, 6-21  
Elbow, 1/8m X 1/8f, 90 [Mit], 6-15  
Electrode, 5 Plate, High Flow, 4-29  
Electrode, Cylindrical, 4-29  
Element, Fltr, Air [Dn], 1-1, 2-55, 2-57,  
2-59, 2-61, 2-63, 2-65  
Element, Fltr, Air, Safety (OPTION), 2-55,  
2-57, 2-59, 2-61, 2-63, 2-65  
Element, Fltr, Oil, Eng, Spin-On, 1-1, 2-23,  
5-8  
End Cap, 4-8  
End Cap, Motor, Hyd [En], 4-9  
Engine [Long Block Gm 1.6l] (See Engine  
Breakdown), 2-23  
Engine, Gas [Mitsubishi] (See Engine  
Breakdown), 2-25  
Engine, LPG [Mitsubishi] (See Engine  
Breakdown), 2-27  
Extinguisher Kit, Fire, Ci [M20 And T20],  
3-68  
Extinguisher, Fire, 2.5 Lb Dry, 3-68

## F

Fan Kit, Scrub, Replmt [M20/T20], 2-147  
Fan Wldt, Vac, Inlet, 2-149  
Fan, Cooling, 14.1d, 6 Blade, 0.5b Taper,  
2-69  
Fan, Cooling, 15.5d, 6 Blade, .5b Taper,  
2-67  
Fan, Cooling, 16.0d, 6 Blade, 2-67  
Fan, Cooling, Pusher, 15.5D [2007], 2-67  
FaST 665 4 Ltr, Detergent, 3-29  
FaST Kit, Ci [inj Rebl, M30/M20 III], 4-30  
FaST Kit, Ci, Injector Filters[FaST li-],  
4-30  
FaST Kit, Injector [M20/T20/M30 FaST III]  
(See Breakdowns), 3-29  
FaST Kit, Injector [M20/T20/m30 FaST III],  
4-30  
FaST Kit, Seal, injector, Ci [FaST III], 4-30  
Filter Assy [Pt4 936498], 1-1, 2-169  
Filter Assy, Air, 2-55, 2-57, 2-59, 2-61,  
2-63, 2-65  
Filter Assy, Air, Mold, Ure, 3-21  
Filter Assy, Hyd, 10mic, 1-1  
Filter Kit, Fuelock, Lpg, 1-1, 2-37, 2-45  
Filter Wldt, Hppr (Replaced By 9003774),  
2-103  
Filter, Foam, Rbr, 1.20d, 1.0l, 3-23, 3-25  
Filter, Fuel [Gm 1.6l/3.0l], 1-1, 2-49, 2-51  
Filter, Fuelock, Lpg [Gm1.6L 2010], 2-47  
Filter, Fuelock,Lpg[Gm1.6l 2010], 1-1  
Filter, In-Line, Pf06/Pf06 080mesh 02.6l,  
3-29, 3-39  
Filter, In-Line, Pf06/Pf06, 80 Mesh, 3-19  
Filter, Oil, 6-21  
Filter, Panl, Syn, 4.2 X 20.0 X 30.0, 1-1,  
2-105  
Filter, Screen, 50 Mesh .59d .8l Ss, 3-19

- Filter, Soltn, 020mesh, Pm12 3.2d 08.0l, 3-5
- Filter, Soltn, 20mesh, Pm12 3.1d 02.6l, 1-1, 2-136
- Fitting Assy, Orifice, 0.070b, Pf04/Pf04, 3-19
- Fitting Assy, Orifice, 0.093b, Pf04/Pf04, 3-19
- Fitting Assy, Qdc, Pf04, 3-39
- Fitting Kit [Epr], 2-45, 2-47
- Fitting Kit, Hose, Garden, 3-3
- Fitting, 1/2 Mpt X 5/8bh 90deg [Mit], 6-23
- Fitting, 1/2 X 5/8 Hose,Plastic[Mit], 6-29
- Fitting, 1/4mpt X 1/4mpt, 90deg[Mit], 6-29
- Fitting, 1/8 Mpt X 3/8 Hb [Mit], 6-15
- Fitting, 37deg [Mit], 6-7
- Fitting, Adapter, Orifice, Pf06/Pm06, 2-29, 2-31, 2-33, 2-47
- Fitting, Barb, 3/4" [Epr], 6-30
- Fitting, Brs, Breather [02mp], 2-107
- Fitting, Brs, E45, Pf02/Pm02, 2-23
- Fitting, Brs, E90, Bm06/Pm04, 2-43
- Fitting, Brs, E90, Bm08/Pm04, 3-19
- Fitting, Brs, E90, Cf03/Pf02, 3-21
- Fitting, Brs, E90, Em05/Pm04, 2-49, 2-51
- Fitting, Brs, E90, Em10/Pm06, 2-29, 2-31, 2-33, 2-38, 2-45, 2-47
- Fitting, Brs, E90, Pf04/Pm04, 2-45, 2-49, 2-53
- Fitting, Brs, E90, Pm02/Bm03, 2-107, 3-5
- Fitting, Brs, Qdc, Bm12/Qf08, 3-3
- Fitting, Brs, Qdc, Pf04, Lpg Fem, 2-53
- Fitting, Brs, Qdc, Pf08 [Parker Bh3f], 3-3
- Fitting, Brs, Snubber, Pm02/Pf02, 3-39
- Fitting, Brs, Str, Bm03/Pm02, 2-107
- Fitting, Brs, Str, Bm04/Pm02, 3-21
- Fitting, Brs, Str, Bm05/Pm04, 2-49
- Fitting, Brs, Str, Bm06/Pm02, 2-35
- Fitting, Brs, Str, Bm06/Pm05, 2-31, 2-45
- Fitting, Brs, Str, Bm06/Pm06, 2-35, 2-43
- Fitting, Brs, Str, Bm08/Pm04, 3-19
- Fitting, Brs, Str, Em10/Pm06, 2-33, 2-47
- Fitting, Brs, Str, Pf02/Pm02 [Bspt], 2-35
- Fitting, Brs, Str, Pf02/Pm04, 3-19
- Fitting, Brs, Str, Pf02/Pm06, 3-39
- Fitting, Brs, Str, Pf04/Pf04, Bh, 2-53
- Fitting, Brs, Str, Pf04/Pm02, 2-29, 2-31, 2-38, 2-45
- Fitting, Brs, Str, Pf06/Pf06 Bh, 3-63
- Fitting, Brs, Str, Pf06/Pm04, 2-33, 2-35, 2-43, 2-47
- Fitting, Brs, Str, Pf06/Pm12, 3-63
- Fitting, Brs, Str, Pm04/Pm04, 2-49, 3-19
- Fitting, Brs, Str, Pm08/Garden Hose, 3-63
- Fitting, Brs, Tee, Pf04/Pf04/Pf04, 3-19
- Fitting, Brs, Tee, Pf04/Pf04/Pm04, Run, 2-53, 3-29
- Fitting, Cap, 2-37
- Fitting, Draincock, E90, .25npt, 2-29, 2-31, 2-38, 2-45, 2-77, 2-85, 2-87
- Fitting, E, Gr, 4-3
- Fitting, E70, 2-37
- Fitting, E90, 2-37, 2-41, 6-22
- Fitting, E90, M14 X .56, 2-23
- Fitting, End, Hose, 2-23
- Fitting, Fltr, Oil, 5-8
- Fitting, Fuel [Mixer E100Lp 2010], 2-41
- Fitting, Fuel, Str, 0.38-24 [07 Eng], 2-51
- Fitting, Fuel, Str, 0.56-18 [07 Eng], 2-51
- Fitting, Grease, Str Pm04 .47l, 2-101, 2-109, 2-111, 2-117, 2-125
- Fitting, Grease, Str Pm04 .63l, 2-91
- Fitting, Hose, Vacuum, .25, 2-37
- Fitting, Hyd, Cap, Jf04, 2-167
- Fitting, Hyd, Cap, Jf08, 2-167, 3-15
- Fitting, Hyd, E45, Jf08/Jm08, 2-167, 2-173
- Fitting, Hyd, E45, Jf10/Jm10, 2-157
- Fitting, Hyd, E45, Jm04/Om04, 3-15
- Fitting, Hyd, E45, Jm04/Om06, 2-91, 2-101
- Fitting, Hyd, E45, Jm06/Om04, 2-147
- Fitting, Hyd, E45, Jm06/Om06, 2-91, 2-171
- Fitting, Hyd, E45, Jm08/Om08, 2-147, 2-171, 2-173, 3-15
- Fitting, Hyd, E45, Jm08/Om10, 2-165
- Fitting, Hyd, E45, Jm10/Om12, 2-91
- Fitting, Hyd, E45, Jm12/Om16, 2-169
- Fitting, Hyd, E45, Jm20/Om20, 2-169
- Fitting, Hyd, E90, Jf04/Jm04, 2-115, 2-171, 3-15
- Fitting, Hyd, E90, Jf06/Jm06, 3-15
- Fitting, Hyd, E90, Jf08/Jm08, 2-17, 2-167
- Fitting, Hyd, E90, Jm04/Om04, 2-109, 2-111, 2-121, 2-129, 2-133, 2-171, 2-173, 3-11
- Fitting, Hyd, E90, Jm04/Om06, 2-101
- Fitting, Hyd, E90, Jm04/Pm02, 2-169
- Fitting, Hyd, E90, Jm06/Om04, 2-117, 3-11
- Fitting, Hyd, E90, Jm06/Om06, 2-17, 2-171, 2-173, 3-15
- Fitting, Hyd, E90, Jm06/Om06, L, 2-171
- Fitting, Hyd, E90, Jm06/Om06, Long, 2-173
- Fitting, Hyd, E90, Jm06/Om08, 2-165
- Fitting, Hyd, E90, Jm08/Om08, 2-113, 2-115, 2-149, 2-165, 2-171, 3-15
- Fitting, Hyd, E90, Jm08/Om08, L, 2-171
- Fitting, Hyd, E90, Jm08/Om08, Long, 2-173
- Fitting, Hyd, E90, Jm08/Om10, 3-7, 3-9
- Fitting, Hyd, E90, Jm10/Om12, 2-165
- Fitting, Hyd, E90, Jm12/Om12, 2-167
- Fitting, Hyd, E90, Jm12/Om12, L, 2-167
- Fitting, Hyd, E90, Om04/Qm04, 2-171, 2-173, 3-15
- Fitting, Hyd, E90, Spcl, 2-45, 2-47
- Fitting, Hyd, Plug, Om04, 2-173, 4-11, 4-19, 4-21, 4-23
- Fitting, Hyd, Plug, Om06, 2-169, 2-173
- Fitting, Hyd, Plug, Om08, 4-7, 4-19
- Fitting, Hyd, Plug, Om10, 2-169
- Fitting, Hyd, Plug, Pm06, 2-33, 2-47
- Fitting, Hyd, Rst, Jf04/Jm04, .028, 2-101
- Fitting, Hyd, Rst, Spcl, 2-129, 2-133
- Fitting, Hyd, Str, Jf04/Qm04, 2-171, 3-15
- Fitting, Hyd, Str, Jf06/Jm04, 2-167
- Fitting, Hyd, Str, Jm04/Om04, 2-113, 2-115, 2-171, 2-173, 3-15
- Fitting, Hyd, Str, Jm06/Om06, 2-149, 2-165, 2-171, 3-15
- Fitting, Hyd, Str, Jm08/Om08, 2-113, 2-115, 2-149, 2-165, 2-171, 3-15
- Fitting, Hyd, Str, Jm08/Om10, 3-7
- Fitting, Hyd, Str, Jm10/Om10, 2-171
- Fitting, Hyd, Str, Jm10/Om10, Long, 2-173
- Fitting, Hyd, Str, Jm10/Om12, 2-91
- Fitting, Hyd, Str, Jm20/Om16, 2-165
- Fitting, Hyd, Str, Om04/Qm04, 2-171, 3-15
- Fitting, Hyd, Str, Pf02/Pm04, 2-53
- Fitting, Hyd, Tee, Jf06/Jm06/Jm06, Run, 2-149
- Fitting, Hyd, Tee, Jm06/Jm06/Om06, Run, 2-171, 3-17
- Fitting, Hyd, Tee, Jm08/Jm08/Om08, Br, 2-147, 2-171, 2-173
- Fitting, Nipple, .25mal, 2-45, 2-47
- Fitting, Nipple, .25npt, Brs, 2-37
- Fitting, Nyl, Qdc, E90, Bm08/ Qm10, 3-29, 3-39
- Fitting, NylY, Qdc, E90, Bm06/ Qm10, 3-29
- Fitting, Pipe, Bshg, M18 X 1.5, 2-23
- Fitting, Pipe, E45, Spcl, 2-53
- Fitting, Pipe, E90, Pf02/Pm02, 3-21
- Fitting, Pipe, Plug, 2-23
- Fitting, Pipe, Plug, Metric, M18,Soc, 2-23, 2-71, 2-73
- Fitting, Pipe, Plug, Pm02, Sq Head, 2-51
- Fitting, Pipe, Plug, Pm08, Sq Head, 2-141
- Fitting, Plstc, Body, Spray, Pf04, 3-19
- Fitting, Plstc, Cap, Pf12 Hex, 2-141
- Fitting, Plstc, Cap, Spray, Pf04, 3-19
- Fitting, Plstc, E90, Bm05/Bm05, Nyl, 3-39
- Fitting, Plstc, E90, Bm06/Bm06, 3-5, 4-29
- Fitting, Plstc, E90, Bm06/Pm04, Nyl, 3-29
- Fitting, Plstc, E90, Bm06/Pm12, Nyl, 3-3
- Fitting, Plstc, E90, Bm08/Bm08, 3-39
- Fitting, Plstc, E90, Bm08/Pf08s, Swivel, 3-19, 3-63
- Fitting, Plstc, E90, Bm08/Pm04, 3-39
- Fitting, Plstc, E90, Bm08/Pm06, 3-39, 3-63
- Fitting, Plstc, E90, Bm08/Pm12, Nyl, 3-19, 3-23, 3-25, 3-29, 3-39
- Fitting, Plstc, E90, Bm10/Pm08, 3-3
- Fitting, Plstc, E90, Bm10/Pm12, 3-3
- Fitting, Plstc, E90, Bm12/Pf12, 3-5
- Fitting, Plstc, E90, Bm12/Pm08, 3-3
- Fitting, Plstc, E90, Bm12/Pm12, 3-3, 3-5, 3-19, 3-29, 3-39
- Fitting, Plstc, E90, Pf Bm [Es Pump], 4-3
- Fitting, Plstc, E90, Pf12/Pm12, 2-136
- Fitting, Plstc, Pf12/Pf12, Bh, 2-136, 3-3
- Fitting, Plstc, Pipe, Cap, Pf04, 3-21, 3-29, 4-29

## CROSS REFERENCE

Fitting, Plstc, Rst, .50od / .13id, 3-25  
Fitting, Plstc, Str, Bm04, Cplg, Fem, 3-21, 3-29  
Fitting, Plstc, Str, Bm04/Bm08, 3-39  
Fitting, Plstc, Str, Bm04/Pm04, 3-39  
Fitting, Plstc, Str, Bm05/Pm04, 3-39  
Fitting, Plstc, Str, Bm06/Bm08, 3-43  
Fitting, Plstc, Str, Bm06/Pm04, 3-29, 4-29  
Fitting, Plstc, Str, Bm06/Pm06, 3-29  
Fitting, Plstc, Str, Bm08/Pf08s, Swivel, 3-63  
Fitting, Plstc, Str, Bm08/Pm06, 3-19  
Fitting, Plstc, Str, Bm08/Pm12, 3-23, 3-25  
Fitting, Plstc, Str, Bm10/Bm10, 2-55, 2-61  
Fitting, Plstc, Str, Bm12/Bm12, 2-141  
Fitting, Plstc, Str, Bm12/Pm08, Nyl, 3-3, 4-3  
Fitting, Plstc, Str, Bm12/Pm12, 2-141  
Fitting, Plstc, Str, Pf06/Qm10, Pvc, 3-39  
Fitting, Plstc, Str, Pm02/Bm05, 4-29  
Fitting, Plstc, Str, Pm04, Cplg, Mal, 3-21, 3-29  
Fitting, Plstc, Str, Pm04/Pm06, Nyl, 3-39  
Fitting, Plstc, Str, Pm08/Pm08, 3-3  
Fitting, Plstc, Str, Pm12/Pm12 1.60l, 3-3, 3-19, 3-29, 3-39  
Fitting, Plstc, Tee, Bm04/Bm04/Bm04, 3-29  
Fitting, Plstc, Tee, Bm04/Bm08/Bm08, Br, 3-19  
Fitting, Plstc, Tee, Bm06/Pm02/Bm06, 4-29  
Fitting, Plstc, Tee, Bm08/Bm08/Bm08, 3-19  
Fitting, Plstc, Tee, Bm08/Bm12/Bm12, Br, 3-23, 3-25, 3-31, 3-41, 3-43, 3-63  
Fitting, Plstc, Tee, Bm10/Bm10/Bm10, 2-33, 2-47  
Fitting, Plstc, Tee, Bm12/Bm12/Bm12, 2-141, 3-13  
Fitting, Plstc, Tee, Pf08/Pf08/Pf08, 3-3  
Fitting, Plstc, Tee, Pf12/Pf12/Pf12, 3-3, 3-19, 3-29, 3-39  
Fitting, Plstc, Y, Bm08/Bm08/Bm08, Nyl, 3-25, 3-29, 3-33, 3-43  
Fitting, Plug, 2-23  
Fitting, Plug, M16, Intake Manifold, 2-31, 2-33, 2-41  
Fitting, Plug, Org, #6, Valve [Cec], 4-11, 4-13, 4-15, 4-17, 4-19, 4-21, 4-23  
Fitting, Str, 2-37  
Fitting, Str, .19brb X .12mpt, 2-29  
Fitting, Str, 10-10 Orb, 37fi [Mit], 6-21  
Fitting, Str, E90, .25npt, 2-37  
Fitting, Vacuum [M16-15-6h], 2-29, 2-31, 2-33, 2-41  
Flange Mounting, 4-8  
Flange, Motor, Hyd [En], 4-9  
Flap, Battery, 2-13  
Flapper, Valve, Pump, Water, 4-3  
Flywheel, 5-5  
Flywheel, Coupling, Assy [Mit20/24m], 6-18

Flywheel, Flatface [Mit 20/24m], 6-18  
Frame Wldt, Lift, Hppr, 2-101  
Frame Wldt, Main, Replmt [m20 & T20], 2-7  
Frame Wldt, Sqge, Lh, 2-131  
Frame Wldt, Sqge, Rh, 2-127  
Frame Wldt, Sqge, Side Brush, 3-7  
Fuelline, .31d Str/Str, Plstc, 2-49, 2-51  
Fuelline, .31d Str/Str, Plstc [Mit 2013], 2-51  
Fuelline, .31d Str/Str, Plstc [M20/T20 07], 2-51  
Fuse, 015a, 2-89  
Fuse, 10 Amp, 2-234  
Fuse, 15 Amp, [Min-15], 2-234  
Fuse, 20 Amp, [Min-20], 2-234  
Fuse, 5 Amp, [Min-5], 2-234  
Fuse, 50amp, 2-234  
Fuse, 60 Amp, 2-234

## G

Gasket, 2-37, 6-5  
Gasket Kit, Repair, Gas [Gm1.6l 2007], 2-31, 2-33  
Gasket Kit, Repair, Lpg [Gm1.6l 2007], 2-41  
Gasket, .25 1.88d 1.0id [Poron], 4-3  
Gasket, 3.23id 3.63od .16th, Ure, 2-143  
Gasket, 4.05id 5.29od .19 [Buna], 2-143, 4-3  
Gasket, Body, Throttle [1.6l], 2-31, 2-33  
Gasket, Case, Front, 6-12  
Gasket, Cover, Fuse Block, 2-89  
Gasket, Cover, Hsng, Camshaft, 5-3  
Gasket, Cover, Recvy Tank, 2-143  
Gasket, Cover, Rocker, 6-4  
Gasket, Cylinder, Hear, 6-5  
Gasket, Exhaust, 2hole, 3.4bc, 2-71, 2-73, 2-75  
Gasket, Fing, Pipe, Exhaust, 2-71, 2-73  
Gasket, Head, Cyl, 5-3  
Gasket, Hppr, Transition, 2-149  
Gasket, Manifold, Exh [Mit], 6-16  
Gasket, Manifold, Exhaust, 5-9, 6-16  
Gasket, Manifold, Intake, 2-29, 2-31, 2-33, 2-37, 5-9, 6-15  
Gasket, Oil, Adapter [Mit 2.0/2.4], 6-21  
Gasket, Oil, Filler, Cap, 6-4  
Gasket, Pan, Oil, 5-8  
Gasket, Plt, Hose, Vacuum, 2-147  
Gasket, Plug, Drain, Oil, 6-7  
Gasket, Plug, Relief Valve, Oil Press, 2-23, 5-7  
Gasket, Pump, Oil, 5-7  
Gasket, Pump, Water, 6-13  
Gasket, Screen, 6-7  
Gasket, Sender, Fuel, 2-51  
Gasket, Sqge, 1-1, 2-123  
Gasket, Throttle [Mit 40mm], 6-27, 6-28  
Gasket, Tube [Pcv], 5-3  
Gasket, Water [Mit 2.0/2.4], 6-22  
Gasket, Water Supply [Mit 2.0/2.4], 6-23  
Gasspring, 180lb, 03.0strk, 2-15

Gauge, Sensing, Level, 2-169  
Gear, Drive, Oil Pump, 5-7  
Gear, Ring, Drive, Oil Pump, 5-7  
Gear, Ring, Starter, 5-5  
Geroler, Motor, Hyd, 4-5  
Gerotor Set, 4-8  
Gerotor Set [Cl], 4-9  
Grill Wldt, Front, 2-19  
Grill, Eng, 2-21  
Grill, Side, 2-15  
Grip, Handle, 2-139, 2-145  
Grommet, Blind, 4-29  
Grommet, Pye, 0.37id, F/1.5h, .13 Matl, 3-5  
Grommet, Rbr, 0.20id, F/0.4h, .12 Matl, 2-29, 2-37  
Grommet, Rbr, 0.38id, F/0.5H, .12 Matl, 3-57  
Grommet, Rbr, 0.50id, F/0.8h, .12 Matl, 3-52, 3-53  
Grommet, Rbr, 0.62id, F/0.9h, .06 Matl, 2-107, 3-37  
Grommet, Rbr, 0.62id, F/0.9h, .12 Matl, 3-5  
Grommet, Rbr, 1.06id, F/1.4h, .19 Matl, 2-107  
Grommet, Rbr, 1.50id, F/1.8h, .19 Matl, 2-107  
Grommet, Rbr, 2.13id, F/2.5h, .12 Matl, 3-19, 3-29  
Guard Kit, Sqge, Ci [M20], 3-67  
Guard Wldt, Sqge, 3-67  
Guard Wldt, Brush, Side, 3-13  
Guard Wldt, Pntd [M20/T20], 3-67  
Guard Wldt, Sqge [M20/T20 Lh, M30 Rh], 3-67  
Guard Wldt, Sqge [M20/T20 Rh, M30 Lh], 3-67  
Guard Wldt, Sqge [M20/T20/M30], 3-67  
Guard Wldt, Top, Ohg, 3-55  
Guard, Fan, Side, 2-69

## H

Handle Wldt, Drain, 2-143  
Handle, Valve, Pinch, Lh, 2-145  
Handle, Valve, Pinch, Rh, 2-139  
Hanger, Engine, 6-15  
Harness [FaST, M20 And T20], 3-27  
Harness, Eng [1.6l, Gm, E-cntrl], 2-234  
Harness, Headlight [M20 And T20], 2-226  
Harness, Hppr [M20], 2-229  
Harness, Hppr [M20/M30], 2-229  
Harness, Hppr, Cover [M20], 2-231  
Harness, Injector, Gas [1.6l, Gm, E-cntrl], 2-234  
Harness, Injector, Lpg [1.6l, Gm, E-cntrl], 2-234  
Harness, Jumper [Deutsch To Mpack], 4-17, 4-23  
Harness, Main [M20], 2-225  
Harness, Manifold, Gas, 2-51  
Harness, Spray, Nozzle, 3-63

Harness, Warning / Backup [M20 & T20], 3-47, 3-49, 3-51	Hose, Afmkt, Pvc, Brd, 0.38id, 01ft, Clr, 4-29	Hose, Heater, E90, 0.62id 07.0 2.0, 2-55, 2-61
Harness, Warning / Ohg [M20], 3-52, 3-53	Hose, Afmkt, Pvc, Brd, 0.38id, 02ft, Clr, 3-43, 4-29	Hose, Heater, E90, 0.62id, 24.0 4.0, 3-33, 3-43
Harness, Wire [Ec-H2o, Mako, 2.0l & Dsl], 3-46	Hose, Afmkt, Pvc, Brd, 0.38id, 03ft, Clr, 3-29	Hose, Hyd, 26.0l, 2-23
Harness, Wire [Ec-H2o], 3-46	Hose, Afmkt, Pvc, Brd, 0.50ld, 01Ft, Clr, 3-29, 3-39	Hose, Hyd, Med04, Jf04e90/Jf04str, 016.0, 2-161
Harness, Wire [FaST Gen 2], 3-35	Hose, Afmkt, Pvc, Brd, 0.50id, 02ft, Clr, 3-39	Hose, Hyd, Med06, Jf06e90/Jf06str, 042.0, 2-159
Harness, Wire, Eng, Gas [ Mit, 2.0L], 2-234	Hose, Afmkt, Pvc, Brd, 0.50id, 08ft, Clr, 3-31, 3-33, 3-43	Hose, Hyd, Med06, Jf06e90/Jf06str,038.0, 3-17
Harness, Wire, Eng, Gas [Gm 1.6L 10], 2-234	Hose, Afmkt, Pvc, Brd, 0.50id, 12ft, Clr, 3-41	Hose, Hyd, Med06, Jf06str/Jf06str, 018.0, 2-159
Harness, Wire, Eng, Gas [Gm 1.6L], 2-234	Hose, Afmkt, Pvc, Brd, 0.75id, 08ft, Clr, 3-31, 3-41, 3-63	Hose, Hyd, Med06, Jf06str/Jf06str, 022.0, 2-159
Harness, Wire, Eng, Gas [Mit, 2.0l], 6-25	Hose, Afmkt, Pvc, Clr 0.25id 03ft, 3-21	Hose, Hyd, Med06, Jf06Str/Jf06Str, 042.0, 2-159
Harness, Wire, Eng, Lpg [Gm 1.6L 10], 2-234	Hose, Afmkt, Pvc, Clr 0.50id 08ft, 3-25	Hose, Hyd, Med08, Jf08e90/Jf08str, 031.0, 2-159
Harness, Wire, Eng, Lpg [Gm 1.6l], 2-234	Hose, Afmkt, Pvc, Clr, 0.25id, 02ft, 3-29	Hose, Hyd, Med08, Jf08str /Jf08e45, 21.0, 2-159
Harness, Wire, Eng, Lpg [Mit, 2.0l], 2-234	Hose, Afmkt, Pvc, Clr, 0.25id, 03ft, 3-39	Hose, Hyd, Med08, Jf08str/Jf08str, 022.0, 2-161
Harness, Wire, Gas/Lpg [Eng Adapt], 2-235	Hose, Afmkt, Pvc, Clr, 0.38id, 01ft, 3-29	Hose, Hyd, Med10, Jf10str/Jf10str, 41.0, 2-159
Harness, Wire, Gas/Lpg [Telemetry], 3-58	Hose, Afmkt, Pvc, Clr, 0.38id, 03ft, 3-29	Hose, Hyd, Med10, Jf10Str/Jf10Str, 036.0, 2-159
Head Assy, Cylinder, 6-5	Hose, Afmkt, Pvc, Clr, 0.50id, 08ft, 3-33	Hose, Hyd, Med12, Jf12e90/Jf12str, 50.0, 2-159
Head, Cyl, 5-3	Hose, Afmkt, Pvc, Wir, 0.50id, 03ft, Clr, 3-29	Hose, Hyd, Med12, Jf12e90/Jf12str, 029.0, 2-159
Headlight, 12vdc, 27watt, 2.1a, Oval (Rpl by 1060942), 2-7	Hose, Afmkt, Rbr, Heater, 0.38id, 03ft, 2-35, 2-43	Hose, Hyd, Med12, Jf12str/Jf12str, 052.0, 2-159
Headlight, 12Vdc, Oval, Halogen, 2-7	Hose, Afmkt, Rbr, Heater, 0.62id, 02ft, 2-33	Hose, Hyd, Med12, Jf12str/Jf12str, 066.0, 2-159
Hinge Wldt, Shrd, Lh, 2-21	Hose, Afmkt, Rbr, Heater, 0.62id, 08ft, 2-47	Hose, Hyd, Spcl, Jf04str/Jf04str, 115.0, 2-161
Hinge Wldt, Shrd, Rh, 2-15	Hose, Afmkt, Vacuum, 0.16id, 01ft, 3-5	Hose, Hyd, Spcl, Jf04str/Jf04str, 121.0, 2-161, 2-163
Hinge, .38pin .11 3.5w 06.0l 6/0.38sl, 2-19	Hose, Afmkt, Vacuum, 0.16id, 03ft, 2-107	Hose, Hyd, Spcl, Jf04str/Jf04str, 127.0, 2-161
Hinge, .50pin .19 4.0w 06.0l 3/0.44sl, 2-129, 2-133	Hose, Balancing, Press, 045mm, 2-37	Hose, Hyd, Spcl, Jf04str/Jf04str, 133.0, 2-161
Hopper, Debris, Rm-Hg, Trimmed, 2-103	Hose, Balancing, Press, 680mm, 2-37	Hose, Hyd, Spcl, Jf04str/Jf06str, 125.0, 2-163
Horn, 12vdc, DbA [Wolo], 2-89	Hose, Coolant, Mold, 1.25id To 1.62id, 2-85	Hose, Hyd, Spcl, Jf10e45/Jf10str, 58.0 (Replaced by 1039148), 2-157
Hose [Epr To Manifold], 2-45, 2-47	Hose, Coolant, Molded [Mit 20/24m], 6-29	Hose, Hyd, Spcl, Jf10e90/Jf10str, 63.0, 2-157
Hose [Mixer To Epr], 2-45	Hose, Coolant, Upper, Mold [Mit 2013], 2-87	Hose, Hyd, Spcl, Jf10str/Jf10str, 56.5, 2-157
Hose [Pcv], 5-3	Hose, Drain, 3.00id X 48.0l, 2-139, 2-145	Hose, Hyd, Suc20, Jf20str /Jf20e90, 29.0, 2-159
Hose Assy, Sqge, 2-143	Hose, Drain, Eng Oil, 2-23	Hose, Hyd, Tc 06, Jf06str /Jf06e45, 56.0, 2-161
Hose Assy, Upper, Tap [Mit], 6-29	Hose, Drain, Oil [Mit 20/24m], 6-7	Hose, Hyd, Tc04, Jf04e45/Qm06, 026.0, 2-163
Hose Assy, W/1cuff, 1.0d 09l 1.0/, 2-103	Hose, Drain, Overflow, Radiator[1pick=1ft], 2-59, 2-65	Hose, Hyd, Tc04, Jf04e45/Qm06, 028.0, 2-163
Hose Assy, W/2cuff, 1.5d 084l [Vacwand], 3-61	Hose, Flex, 4.00d, 24.0l, 2-147	Hose, Hyd, Tc04, Jf04e90/Jf04str, 020.0, 2-161
Hose Assy, W/2cuff, 1.5d 84l [Vacwand], 3-59	Hose, Flex, Vacuum, 3.5d 32.0l, 2-149	Hose, Hyd, Tc04, Jf04str /Jf04e90, 70.0, 2-161
Hose Kit, Coolant, Replmt [Mitsubishi], 2-87	Hose, Fuel [Mixer To Epr, 22.5”L], 2-47	
Hose, 170mm [Ftv-Ptv], 2-37	Hose, Fuel, 0.31id [Evap Emission 07], 2-51	
Hose, 355mm [FI-Vrp], 2-37	Hose, Fuel, .19, 2-29	
Hose, 9.5mm X 290mm [Pcv], 2-37	Hose, Fuel, .38d, Rbr[16”L], 6-15	
Hose, 9.5mm X 450mm [Pcv], 2-29	Hose, Fuel, 0.18id, 29.0l, 2-85, 2-87	
Hose, 90x90, Filter, Oil, Remote[Mit], 6-21	Hose, Fuel, 0.31id 12.0l, 2-49	
Hose, 90xstr, Filter, Oil, Remote[Mit], 6-21	Hose, Fuel, 0.31id 24.0l, 2-49	
Hose, Afmkt, Coolant Recvy, 05ft, 2-77, 2-85, 2-87	Hose, Fuel, 0.50id 21.0l, 2-49	
Hose, Afmkt, Pvc, Brd 0.38id 02ft, 3-5	Hose, Fuel, 0.50id, 21.0l, 2-51	
Hose, Afmkt, Pvc, Brd 0.50id 02ft, 3-23	Hose, Fuel, Molded [Mit 20/24m], 6-29	
Hose, Afmkt, Pvc, Brd 0.50id 03ft, 3-19	Hose, Heater, 2-29, 2-31	
Hose, Afmkt, Pvc, Brd 0.50id 08ft, 3-19, 3-25	Hose, Heater, 0.38ID, 2-31, 2-45	
Hose, Afmkt, Pvc, Brd 0.62id 01ft, 3-5	Hose, Heater, 0.62id, 024.0l, 2-33	
Hose, Afmkt, Pvc, Brd 0.75id 08ft, 2-141, 3-3, 3-13	Hose, Heater, 0.62id, 038.0l, 2-47	
Hose, Afmkt, PVC, Brd, 0.31ld, 03Ft, Clr, 3-39, 4-29		

## CROSS REFERENCE

- Hose, Hyd, Tc04, Jf04str /Jf04e90, 88.0, 2-161  
Hose, Hyd, Tc04, Jf04str /Jf04str, 20.0, 3-17  
Hose, Hyd, Tc04, Jf04str /Jf04str, 39.0, 3-17  
Hose, Hyd, Tc04, Jf04str/Jf04str, 096.0, 2-161  
Hose, Hyd, Tc06, Jf06e90/Jf06str, 040.0, 2-157  
Hose, Hyd, Tc06, Jf06e90/Jf06str, 104.0, 2-157  
Hose, Hyd, Tc06, Jf06str /Jf06e45, 54.0, 2-161  
Hose, Hyd, Tc06, Jf06str /Jf06e90, 74.0, 3-17  
Hose, Hyd, Tc06, Jf06str /Jf06str, 23.0, 3-17  
Hose, Hyd, Tc06, Jf06str/Jf06str, 033.0, 3-17  
Hose, Hyd, Tc06, Jf06str/Jf06str, 054.0, 2-161  
Hose, Hyd, Tc06, Jf06Str/Jf06Str, 062.0, 3-17  
Hose, Hyd, Tc06, Jf06str/Jf06str, 086.0, 3-17  
Hose, Hyd, Tc08, Jf08E45/Jf08Str, 026.0, 2-159  
Hose, Hyd, Tc08, Jf08e45/Jf08str, 26.0, 2-159  
Hose, Hyd, Tc08, Jf08e45/Jf08str, 96.0, 2-157  
Hose, Hyd, Tc08, Jf08e90/Jf08str, 024.0, 2-159  
Hose, Hyd, Tc08, Jf08E90/Jf08Str, 029.0, 2-159  
Hose, Hyd, Tc08, Jf08e90/Jf08str, 034.0, 3-17  
Hose, Hyd, Tc08, Jf08e90/Jf08str, 046.0, 2-159  
Hose, Hyd, Tc08, Jf08e90/Jf08str, 056.0, 3-17  
Hose, Hyd, Tc08, Jf08e90/Jf08str, 13.0, 2-161  
Hose, Hyd, Tc08, Jf08str/Jf08e90, 012.0, 3-15  
Hose, Hyd, Tc08, Jf08str/Jf08e90, 031.0, 2-159  
Hose, Hyd, Tc08, Jf08Str/Jf08Str, 021.0, 2-159  
Hose, Hyd, Tc08, Jf08str/Jf08str, 024.0, 2-159  
Hose, Hyd, Tc08, Jf08str/Jf08str, 031.0, 2-159  
Hose, Hyd, Tc08, Jf08str/Jf08str, 034.0, 3-17  
Hose, Hyd, Tc08, Jf08str/Jf08str, 056.0, 3-17  
Hose, Hyd, Tc08, Jf08str/Jf08str, 084.0, 3-17  
Hose, Hyd, Tc08, Jf08str/Jf08str, 21.0, 2-159  
Hose, Hyd, Tc08, Jf08str/Jf08str, 48.0, 2-161  
Hose, Hyd, Tc12, Jf12e90/Jf12str, 044.0, 2-159  
Hose, Hyd, Tco4, Jf04Str/Qm06, 028.0, 2-163  
Hose, Hyd, Med04, Jf04str/Jf04str, 066.0, 2-157  
Hose, Hyd, Tc 04, Jf04str /Jf04e45 , 35.0, 2-163  
Hose, Intake, Mold [Epdm Mit 2013], 2-59, 2-65  
Hose, Intake, Mold, 2.00id [Epdm], 2-55, 2-57, 2-59, 2-61, 2-63, 2-65  
Hose, Intake, Mold, 2.00id, Gas [Epdm], 2-55  
Hose, Intake, Mold, 2.00id, Lpg [Epdm], 2-61  
Hose, Intake, Mold, 2.0id [Epdm M20/T20], 2-57, 2-63  
Hose, Intake, Mold, 2.0id, Gas, 2-57  
Hose, Intake, Mold, 2.0id, Lpg, 2-63  
Hose, Intake, Mold, 2.0id, Lpg [Gm 2010], 2-63  
Hose, Intake, Mold, Gas [Epdm Mit 2013], 2-59  
Hose, Intake, Mold, Lpg [Epdm Mit2013], 2-65  
Hose, Lpg, Med05, Pm04str/Sm04str, 14.0l, 2-53  
Hose, Lpg, Med05, Pm04str/Sm04str, 55.0l, 2-53  
Hose, Mold, .62 To .75, 2-37  
Hose, Mold, .62 To .75 (Cut in 2), 2-45  
Hose, Pvc, Brd, 0.62id 0.88od 09.00l, 3-3  
Hose, Pvc, Clr, 0.38id 0.56od 22.00l, 2-29, 2-38, 2-77  
Hose, Pvc, Clr, 0.38id 0.56od 48.00l, 3-3, 3-5  
Hose, Pvc, Clr, 0.38id 0.56od 022.0l, 2-31, 2-45, 2-85, 2-87  
Hose, Pvc, Clr, 0.50id 0.69od 26.00l, 3-13  
Hose, Pvc, Clr, 0.50id 0.69od 30.00l, 2-89  
Hose, Radiator, Lower, Mold, 2-77, 2-85  
Hose, Radiator, Mold, .75ld X .62ld (Cut in two), 2-33  
Hose, Radiator, Upper, Mold, 2-77  
Hose, Rbr, 2.00id 2.50od 05.0l, 2-55, 2-61  
Hose, Rbr, E90 1.25id 1.25id 04.2 03.1, 2-77  
Hose, Rbr, E90, 1.25id 1.25id 04.2 03.1, 2-85, 2-87  
Hose, Supply, Gas, .25id, 2-45, 2-47  
Hose, Vacuum, 0.22id X 15.0l, 2-31, 2-33, 2-41  
Hose, Vacuum, 19.0l, 2-123  
Hose, Valve, Press Trim, 350mm, 2-37  
Hose, Vent, E90, 0.62id[Gm1.6l 2007], 2-57, 2-63  
Hose, Water, Coil, 3-63  
Housing, 4-7  
Housing Assy, Vacfan, Scrbr, 2-147  
Housing Assy, Vacfan, Swpr, 2-149  
Housing Kit, Drive, Front, Replmt, 2-91  
Housing Kit, Pump, Water, 4-3  
Housing Wldt, Brush, Drive, 2-113, 2-115  
Housing Wldt, Swp, Scb, 2-117  
Housing Wldt, Vacfan, Front [528], 2-147  
Housing, Bottom, 4-29  
Housing, Brg, Motor, Hyd, 4-5  
Housing, Camshaft, 5-3, 5-11  
Housing, Cplg, Qf / Pm08, 3-39  
Housing, Flywheel [Mit 2.0l], 6-18  
Housing, Motor, Hyd [En], 4-9  
Housing, Pump, 2-23  
Housing, Sppt, Front Wheel, 2-91  
Housing, T-Stat, 2 Holes [Mit], 6-22  
Housing, Thermostat, 6-22  
Housing, Throttle, 40mm [Bosch], 2-29, 2-31, 2-33, 2-37, 2-41  
Housing, Valve, 4-5  
Housingl, 4-8  
Hsg & Switch Kit, Pump, Repair,, 4-27  
Hub Assy, Wheel, 5 Bolt 4.50bc Taper B, 2-91  
Hub, Drive, Brush, Disk, 1.00b [6t], 3-7, 3-9  
Hub, Drive, Brush, Disk, 3hole 5.8bc, 2-5  
Hub, Drive, Brush, Disk, 3hole 5.8bc[6t], 2-5
- I**
- Idler Assy, Brush, Replmt [M20/T20, M30], 2-113, 2-115  
Impeller, 9.00d X 1.40w X 0.376b, 2-149  
Impeller, 9.5d, 18 Bl, 2-147  
Indicator, Press, 60psi, 2-169  
Injector Kit, Fuel, Gas, 2-29  
Insert, :Lrg [Venturi, FaST III], 4-30  
Insert, Cap, Mount, Es Pump, 4-3  
Insert, Cplg, Qm, Bm08, 3-39  
Insert, Plt, Cam, Pump, Hyd, 4-7  
Instr, Maint, Wall Chart [M20], 3-69  
Instr, Motor, Hyd, Repair [En], 4-9  
Instr, Repair, Motor, Hyd, Gear, 4-5  
Instr, Repair, Pump, 4-7  
Instr, Seal Kit, Motor, 4-10  
Instr, Valve, Steering, Repair, 4-25  
Instr. Repair Info, Motor, 4-8  
Insulation, 3-55  
Insulation, Acstc, Rnd, 0.8, 02.5d 0.5h, 2-17  
Insulation, Flame-Retardant, 0.5, 2-21, 2-49, 2-51  
Insulation, Flame-Retardant, 0.50, 2-147  
Insulation, Flame-Retardant, 0.75-0.88, 2-11, 2-15, 2-147  
Insulation, Flame-Retardant, 1.0, 2-15  
Insulation, Shrd, Eng, Gusset, 2-21  
Insulation, Thermal, Hydraulic Blanket, 2-169  
Isolator, 6-25, 6-29  
Isolator [Epr], 2-45, 2-47  
Isolator, Box, Relay, 2-31, 2-33, 2-35, 2-41, 2-43

Isolator, Mtg, Vaporizer, Rbr, 2-37  
 Isolator, Rbr, 2-71, 2-73, 2-75  
 Isolator, Vib, .50d, 2-23, 2-25, 2-27  
 Isolator, Vib, Bshg, 1.1d 0.6l .4b 0.78h,  
 2-77, 2-81, 2-83, 2-147, 2-149

**K**

Key, 6-10  
 Key-Wdruff 0.25 1.00, 4-8  
 Key, Ignition [Set Of 2], 1-1, 2-13  
 Key, Motor, Hyd, 4-5  
 Key, Shaft, Pump, Hyd, 4-7  
 Key, Sq, 0.12 X 0.12, 0.50l, 2-67, 2-69  
 Key, Sq, 0.12 X 0.12, 0.75l, 4-10  
 Key, Sq, 0.12 X 0.12, 1.00l (Included With  
 Motor), 2-147  
 Key, Sq, 0.25 X 0.25, 1.25l, 2-113, 2-115  
 Key, Valve Stem, 5-3  
 Key, Woodruff, 0.25 1.00 [Asa#0808], 4-9  
 Kit, Bellows, Pump, Detgt, 4-26  
 Kit, Brush, Motor, Ele, 4-3  
 Kit, Seal, Motor, Hyd, 4-5  
 Kit, Seal, Motor, Hyd, Gear[Barns], 2-147,  
 4-10  
 Kit, Seal, Valve, Hyd [Cec], 4-10  
 Kit, Valve, Check, Pump, Water, 4-3  
 Knob Assy, Star, 1.12d 3ear M10, 2-125  
 Knob, Star, 2.80d 4ear 1.1l .31-18 Pyp,  
 2-123  
 Knob, Tee, 2.5x1.0 1.1l 0.38-16 Plstc,  
 2-17

**L**

Label [User, Attention, ec-H2O], 2-237  
 Label Kit, Panel, Replmt [M20], 2-13  
 Label Kit, Panel, Replmt [M20/M30  
 ec-H2O only], 2-13  
 Label Set, Brush Indicator & Removal,  
 2-237  
 Label Set, Hi Temp, 2-237  
 Label Set, Info/Hzrd, Swpr / Scrbr, 2-237  
 Label Set, Info/Hzrd, Swpr / Scrbr, Tj  
 (Japan Only), 2-237  
 Label, Caution [Apply Parking Brake],  
 2-237  
 Label, Caution [Apply Parking Brake]  
 (Japan Only), 2-237  
 Label, Logo, 05.75L 2Color [ES], 2-237  
 Label, Logo, 07.95L 2Color [FaST], 2-237  
 Label, Logo, 12.3L 4Color [ec-H2O], 2-237  
 Label, Logo, 16.9L 4Color [ec-H2O], 2-237  
 Label, Model, 2Color [M20], 2-237  
 Label, Opertnl, Telem [Fcc/lc], 3-57  
 Label, Switch, Rocker [M20/M30], 2-13  
 Lamp Strobe, Amb [12-48 Vdc], 3-51, 3-53  
 Lamp, 12vdc [Speaker], 2-7  
 Lamp, Bulb, Flsh, 3-49, 3-52  
 Lamp, Bulb, Strobe, 3-51, 3-53  
 Lamp, Flasher, Amb [12-48 Vdc], 3-49,  
 3-52

Lamp, Halogen [Speaker], 2-7  
 Latch, 2-15, 2-77, 2-105, 2-107, 2-113,  
 2-115, 2-135, 2-136, 3-65  
 Latch Assy, Mtg, Tank, Lpg, W/Nut, 2-53  
 Latch Kit, Cover, Soltn, Replmt[M20/T20],  
 2-135, 2-136  
 Latch, Cover, 2-136  
 Latch, Door [Southco 91-562-07], 2-21,  
 2-127, 2-131  
 Latch, Hook, 2-129, 2-133  
 Lens, Blue, Option, F/ Strobe / Flsh Light,  
 3-49, 3-51, 3-52, 3-53  
 Lens, Lamp, Amb, Strobe/Flasher, 3-49,  
 3-51, 3-52, 3-53  
 Lens, Red, Option, F/ Strobe / Flsh Light,  
 3-49, 3-51, 3-52, 3-53  
 Light Kit, Flsh, Ci [M20 And T20], 3-49  
 Light Kit, Flsh, W/Ohg, Ci[M20 And T20],  
 3-52  
 Light Kit, Strobe, Ci [M20 And T20], 3-51  
 Light Kit, Strobe, W/Ohg, Ci [M20 And  
 T20], 3-53  
 Light, Led, .312D, 2 Volt [Tri-Color]  
 (ec-H2O only), 2-13  
 Light, Panl, 14vdc, , 1.1 X 1.0, 2-13  
 Light, Tail, 12vdc, 2-107  
 Link Assy, Rod-End, M12, 2-121  
 Lock-Off, 12v, Lpg [Mit], 6-29  
 Lock, Secondary, 2cav, Mp280 Sealed,  
 4-27  
 Loom, Convolutd, Split 5/8 [Mit], 6-15

**M**

Magnet, Drive Brush, 2-53  
 Maint Kit, 400hr [M20/T20/M30 Lpg 2010],  
 1-1  
 Maint Kit, 800hr [M20/T20/M30 Lpg 2010],  
 1-1  
 Maint Kit, Gas, 400hr[M20/T20], 1-1  
 Maint Kit, Gas, 800hr[M20/T20], 1-1  
 Maint Kit, Lpg, 400hr[M20/T20], 1-1  
 Maint Kit, Lpg, 800hr[M20/T20], 1-1  
 Manifold, Bar, Spray, 37.5inch, 2-141  
 Manifold, Exhaust, 5-9  
 Manifold, Exhaust [Mit 2.0/2.4l], 6-16  
 Manifold, Gas, Relief, Valve, 2-51  
 Manifold, Intake [1.6l], 2-29, 2-31, 2-33,  
 2-37, 2-41  
 Manifold, Intake [Mit 20/24m Tilt], 6-15  
 Manifold, Water, 3-39  
 Manual, Eng, Cd-Rom [Tier li,Gm1.6l],  
 3-69  
 Manual, Oprtr [M20 Gas/Lpg En], 3-69  
 Manual, Oprtr [M20 Gas/Lpg, Es, Na], 3-69  
 Manual, Oprtr [M20 Gas/Lpg, Fr, Na], 3-69  
 Manual, Parts [M20 Gas/Lpg En], 3-69  
 Manual, Service [M20 En], 3-69  
 Manual, Service, Eng [Gm1.6l], 3-69  
 Manual, Service, Eng[Gm1.6l Em Cert],  
 3-69  
 Mat, Floor, 2-9

Media, Cd-Rom, Training [ec-H2O  
 Tennant], 3-69  
 Mirror, Convex, 0.50D, 3-55  
 Mixer [E100lp Gm 2010], 6-30  
 Mixer [E100lp Gm1.6l 2010], 2-41  
 Mixer, Lpg [Gm 1.6l], 2-37  
 Mixer, W/70deg Ftg, 2-41  
 Module Kit, Replmt [Ec-H20], 4-29  
 Module Kit, Replmt [Ec-H20] (See  
 Breakdowns), 3-37  
 Module, Ecu, Gas [Gm 1.6l], 2-29  
 Module, Ecu, Gas [Gm1.6l 2010], 2-33  
 Module, Ecu, Gas [Gm1.6l 2700], 2-31  
 Module, Ecu, Gas [Mit 2.0l 2013], 6-25  
 Module, Ecu, Lpg [Gm 1.6l], 2-37  
 Module, Ecu, Lpg [Gm1.6l 2010], 2-41  
 Module, Ecu, Lpg [Gm1.6l 2700], 2-41  
 Module, Ecu, Lpg [Mit 2.0l 2013], 6-25  
 Molding, Afrmkt, Trim, Pvc, .08 .11, 01Ft,  
 3-37  
 Molding, Afrmkt, Trim, Pvc, .08 .11, 1ft, 2-9  
 Molding, Trim, Pvc, .08-.11 06.8l, 2-83  
 Molding, Trim, Pvc, .08-.11 13.2l, 2-51  
 Molding, Trim, Pvc,.18-.31 07.5l, 2-107  
 Motor Kit, Pump, Repair,, 4-27  
 Motor Kit, Replmt [M20&T20], 2-147  
 Motor, Ele [12vdc, Shaker], 2-105  
 Motor, Ele 12Vdc, Shaker, 2-105  
 Motor, Ele, 12vdc, Pump, Water, 4-3  
 Motor, Ele, Gear, 14vdc, Pump, Detgt,  
 4-26  
 Motor, Hyd Gear In 4.5 B 1500, 4-8  
 Motor, Hyd, Gear, [Ex] .194 R 3000 (See  
 Breakdowns), 2-149  
 Motor, Hyd, Gear, [Int], 19.0 X 3000, 4-5  
 Motor, Hyd, Gear, Ext 0.19 Rh 3000, 4-10  
 Motor, Hyd, Gear, Int 04.5 Bi-Dir 1500,  
 2-113, 2-115  
 Motor, Hyd, Gear, Int 04.5 Bi-Dir 1500  
 (See Breakdowns), 2-113, 2-115  
 Motor, Hyd, Gear, Int 08.9 Bi-Dir 2500,  
 3-9, 4-9  
 Motor, Hyd, Gear, Int 08.9 Bi-Dir 2500  
 (See Breakdowns), 3-7, 3-9  
 Motor, Hyd, Gear, Int 19.0 Bi-Dir 3000  
 (See Breakdowns), 2-91  
 Mount Wldt, Eng, Gas/Lpg, 2-23  
 Mount Wldt, Valve, Pinch, Lh, 2-145  
 Mount Wldt, Valve, Pinch, Rh, 2-139  
 Mount, Fltr, Remote, 6-21  
 Muffler, Catalytic [Gm 1.6], 2-71  
 Muffler, Catalytic [Gm 1.6l 2007], 2-73  
 Muffler, Catalytic [Gm 1.6l 2010], 2-73  
 Muffler, Catalytic [Mit 2.0l 2013], 2-75  
 Muffler, Short [Non-Catalytic Gm1.6/3.0],  
 2-71  
 Muffler, Vacfan, 4.0id, 2-149

## CROSS REFERENCE

### N

- Nipple, Hose, 3-63  
Nozzle, 3-63  
Nozzle Kit, Spray, Ci, 3-63  
Nozzle, Spray, Gun, 3-63  
Nozzle, Wand, Plstc, 14.0l, 3-61  
Nozzle, Wand, Plstc, 14.0lg, 3-59  
Nut, 6-9, 6-10  
Nut-Hxslot .75-16 Pltd, 4-8  
Nut, Adj, Mtg, Tank, Lpg, 2-53  
Nut, Coil, F/#8, 4-11, 4-13, 4-15, 4-17, 4-19, 4-21, 4-23  
Nut, Coil, Nyl Patch, 4-15, 4-17, 4-21, 4-23  
Nut, Flange, 6-13  
Nut, Fing, M05-0.8 [Gm1.6l Lp 2010], 6-30  
Nut, Fing, M05-0.8 [Gm1.6L Lp 2010], 2-41  
Nut, Fing, M8, 6-15, 6-16, 6-19, 6-21, 6-22  
Nut, Ftg, Hyd, 0.56-18, 2-167  
Nut, Hex, Fing, M5 X 0.8, 2-101  
Nut, Hex, Fing, M6 X 1.00, 2-69, 2-81, 2-83  
Nut, Hex, Fing, M8 X 1.25, 2-45, 2-47, 2-127, 2-131, 2-167  
Nut, Hex, Jam, .31-24, 2-95  
Nut, Hex, Jam, .50-20, 2-117, 3-11  
Nut, Hex, Jam, .50-20, Lh, 2-117  
Nut, Hex, Jam, M10 X 1.5, Ss, 2-53, 2-67  
Nut, Hex, Jam, M20 X 1.5, 2-17  
Nut, Hex, Lock, .25-20, NI, 2-49, 2-51, 2-147  
Nut, Hex, Lock, .25-20, NI, Ss, 2-97, 2-99  
Nut, Hex, Lock, .31-18, NI, 2-15, 2-67  
Nut, Hex, Lock, .31-18, NI, Thin, 2-15  
Nut, Hex, Lock, .31-24, NI, Thin, 2-149  
Nut, Hex, Lock, .38-16, NI, Ss, 2-53, 3-11  
Nut, Hex, Lock, .38-16, NI, Thin, 2-53, 2-99, 2-147, 2-149  
Nut, Hex, Lock, .50-13, NI, Ss, 2-125  
Nut, Hex, Lock, .50-13, NI, Thin, 2-117  
Nut, Hex, Lock, .50-20, NI, Thin, 2-117  
Nut, Hex, Lock, .75-10, NI, 2-91  
Nut, Hex, Lock, #08-32, NI, 2-13  
Nut, Hex, Lock, M10 X 1.5, NI, 2-53, 2-77, 2-81, 2-83, 2-149, 2-167, 3-55, 3-67  
Nut, Hex, Lock, M10 X 1.5, NI, Ss, 2-103, 2-111, 2-121, 2-125  
Nut, Hex, Lock, M12 X 1.75, NI, Ss, 2-117, 2-121  
Nut, Hex, Lock, M12 X 1.75, NI, 2-23, 2-25, 2-27, 2-93  
Nut, Hex, Lock, M4 X 0.7, NI, 2-15, 2-21, 2-78, 3-21  
Nut, Hex, Lock, M4 X 0.7, NI, Ss, 2-21, 2-99, 2-127, 2-131, 3-3  
Nut, Hex, Lock, M4 X 0.70, NI, Ss, 3-37  
Nut, Hex, Lock, M5 X 0.8, NI, 2-15, 2-29, 2-37, 2-89  
Nut, Hex, Lock, M5 X 0.8, NI, Ss, 2-113, 2-115, 2-141, 3-13, 3-19, 3-25  
Nut, Hex, Lock, M5 X 0.80, NI, 3-37, 3-57, 3-63  
Nut, Hex, Lock, M5 X 0.80, NI, Ss, 3-33, 3-43, 3-47, 3-49, 3-51, 3-52, 3-53, 3-65  
Nut, Hex, Lock, M6 X 1.0, NI, 2-15, 2-17, 2-19, 2-29, 2-37, 2-55, 2-61, 2-77, 2-89, 2-95  
Nut, Hex, Lock, M6 X 1.0, Ss, NI, 2-13, 2-71, 2-105, 2-109, 2-111, 2-119, 2-121, 2-141, 2-143  
Nut, Hex, Lock, M6 X 1.00, NI, 2-9, 2-51, 2-57, 2-59, 2-63, 2-65, 2-81, 2-83  
Nut, hex, Lock, M6 X 1.00, NI, Ss, 3-57, 3-65  
Nut, Hex, Lock, M6 X 1.00, Ss, NI, 2-143  
Nut, Hex, Lock, M8 X 1.25, NI, 2-7, 2-9, 2-21, 2-49, 2-51, 2-53, 2-55, 2-57, 2-59, 2-61, 2-63, 2-65, 2-67, 2-69, 2-77, 2-83, 2-85, 2-87, 2-89, 2-95, 2-99, 2-129, 2-133, 2-149, 2-171, 3-15  
Nut, Hex, Lock, M8 X 1.25, NI, Ss, 2-71, 2-73, 2-75, 2-77, 2-85, 2-99, 2-103, 2-105, 2-109, 2-111, 2-113, 2-115, 2-117, 2-119, 2-121, 2-123, 2-125, 2-127, 2-129, 2-131, 2-133, 2-135, 2-139, 2-145, 3-7, 3-13, 3-15  
Nut, Hex, M10 X 1.5 [Stover], 2-71  
Nut, Hex, M10 X 1.50 [Stover], 2-71, 2-73, 2-75  
Nut, Hex, Sltd, .75-16, 2-93  
Nut, Hex, Sltd, 1.12-18, 2-91  
Nut, Hex, Sltd, M20 X 2.5, 8, 2-113, 2-115  
Nut, Hex, Std, .25-20, 2-31, 2-33, 2-35, 2-41, 2-43  
Nut, Hex, Std, .25-28, 2-95, 2-97  
Nut, Hex, Std, .25-28, Lh, 2-95  
Nut, Hex, Std, .31-18, 2-67, 3-55  
Nut, Hex, Std, .38-16, 2-73, 2-75  
Nut, Hex, Std, M10 X 1.50, 2-105  
Nut, Hex, Std, M12 X 1.75, Ss, 2-129, 2-133  
Nut, Hex, Std, M16 X 2.0, 2-19  
Nut, Hex, Std, M3 X 0.5, 8, 2-105  
Nut, Hex, Std, M5 X 0.8, 8, 2-23, 2-99  
Nut, Hex, Std, M6 X 1.00, 8, 3-37  
Nut, Hex, Std, M8 X 1.25, 2-9, 2-67, 2-105  
Nut, Hex, Std, M8 X 1.25, Brs, 2-23  
Nut, Hex, Std, M8 X 1.25, Ss, 2-129, 2-133  
Nut, Hex, Stover, M8, 2-75  
Nut, Hex, Stover, M8 X 1.25, 2-81  
Nut, Isolator, .38-16 Wall Th .015-.437, 3-59  
Nut, Low Crown, .50-20, 2-147  
Nut, M10-1.25 Flg [Mit], 6-16, 6-18  
Nut, M10-1.25, Hx Flg [Mit], 6-25  
Nut, M6-1.0 Flange [Mit], 6-25, 6-29  
Nut, M8-1.25 [Mit], 6-15  
Nut, Manifold, Exhaust, M8 X 1.25, 5-9  
Nut, Motor, Hyd, 4-5  
Nut, Solenoid, 4-13, 4-15, 4-17, 4-19, 4-21, 4-23  
Nut, Strainer, 6-7  
Nut, T, M10 X 1.50 X 15.80d X 13.0l, 2-127, 2-131  
Nut, T, M8 X 1.25 X 14.50d X 9.5l, 3-7  
Nut, Wheel, .50-20 X 60 Angle, 2-91

### O

- O-Ring, 6-3, 6-5, 6-12  
O-Ring [Mit 208 Buna-N], 6-22, 6-23  
Ohg Kit, Ci [M20 And T20], 3-55  
Oil, Hyd [El, Iso 100, 01gal], 1-2  
Oil, Hyd [El, Iso 100, 05gal], 1-2  
Oil, Hyd [El, Iso 32, 01gal], 1-2  
Oil, Hyd [El, Iso 32, 05gal], 1-2  
Oil, Hyd [El, Iso 68, 01gal], 1-2  
Oil, Hyd [El, Iso 68, 05gal], 1-2  
Outlet, Water, W/Plug [Mit 2.0/2.4l], 6-22

### P

- Pad, Pedal, Brake, 3.96l 2.36w 0.75, 2-95  
Pad, Tank, Hyd [W/Psa], 2-167, 2-169  
Paint, Airdry, Blk, 12oz, 1-2  
Paint, Airdry, Gray, 12oz [Enamel], 1-2  
Paint, Airdry, Iron Gray, 12oz [Pwdr Coat], 1-2  
Paint, Airdry, Off-White, 12oz, 1-2  
Paint, Airdry, Teal, 12oz, Solid, 1-2  
Pan, Oil, 6-7  
Pan, Oil, W/ Baffle / Plug / Seal, 5-8  
Panel Kit, Instmt, Repair [M20/M30], 2-13  
Panel Wldt, Adj, 2-9  
Panel Wldt, Adj [2007], 2-9  
Panel Wldt, Filler, 2-7  
Panel Wldt, Gas, Replmt, 2-9  
Panel Wldt, Gas, Replmt [W/Fast], 2-9  
Panel Wldt, Gas, Replmt, TJ (Japan only), 2-9  
Panel Wldt, Gas, Replmt, TJ [W/Fast] (Japan only), 2-9  
Panel Wldt, Gas, Replmt, TJ, W/Es (Japan only), 2-9  
Panel Wldt, Gas, W/ Es, Replmt, 2-9  
Panel Wldt, LPG, Replmt, 2-9  
Panel Wldt, LPG, Replmt [W/Fast], 2-9  
Panel Wldt, LPG, Replmt, TJ (Japan only), 2-9  
Panel Wldt, LPG, Replmt, TJ [W/Fast] (Japan only), 2-9  
Panel Wldt, LPG, Replmt, TJ, W/Es (Japan only), 2-9  
Panel Wldt, LPG, Replmt, W/Es, 2-9  
Panel Wldt, Shrd, Fan, 2-77  
Panel, Access, Door, 2-9  
Panel, Access, Floor, 2-9  
Panel, Instmt, Rh, Gas, Replmt, 2-13  
Panel, Instmt, Rh, Lpg, Replmt, 2-13  
Panel, Instmt, Rh, Lpg, Replmt, Ce (Japan and CE Only), 2-13  
Panel, Kit, Instmt, Replmt [M20/M30 ec-H20 only], 2-13  
Pawl, Str, 2-113, 2-115  
Pedal, Brake, Lock, 2-95  
Pedal, Propel, 2-97

- Pin Kit, Wheel, Ci [M20/T20/M30], 2-7, 2-107, 3-13  
 Pin Wldt, 3-11  
 Pin Wldt, Front, 2-123, 3-9  
 Pin Wldt, Lift (Replaced by 9003478), 2-125  
 Pin Wldt, Pivot, Hppr, 2-7  
 Pin, 0.63d 01.8l, 1/M10h, 2cham, 2-125  
 Pin, 0.87d 01.8l, 1/M6 X 1.0, 1cham,Stl, 2-101  
 Pin, 30mmd X 215mml, 2-7, 2-107, 3-13  
 Pin, Arm, Safety, 2-101  
 Pin, Clevis, 0.25d X 0.75l, 2-95  
 Pin, Clevis, 0.31d X 0.75l, 3-7  
 Pin, Clevis, 0.31d X 1.00l, 2-95  
 Pin, Clevis, 0.37d X 1.31l, 3-11  
 Pin, Clevis, 0.37d X 1.50l, 3-11  
 Pin, Clevis, 0.37d X 1.75l, 2-109, 2-111, 2-117, 2-129, 2-133, 3-11  
 Pin, Clevis, 0.37d X 2.00l, 2-121  
 Pin, Clevis, 0.50 D X 4.50l, 2-97  
 Pin, Clevis, 0.62d X 2.91l, 2-101  
 Pin, Clevis, 0.75d X 2.00l, 2-117  
 Pin, Clevis, 0.88d X 2.25l, 2-101  
 Pin, Cotter, .062 X 0.50, 2-95  
 Pin, Cotter, .094 X 1.00, 2-95, 2-101, 2-109, 2-111, 2-121, 3-7, 3-11  
 Pin, Cotter, .125 X 1.00, 2-97, 2-129, 2-133  
 Pin, Cotter, .125 X 1.25, 2-113, 2-115  
 Pin, Cotter, .125 X 2.00, 2-91  
 Pin, Cotter, .156 X 1.25, 2-117  
 Pin, Cotter, .156 X 2.00, 2-93, 2-107  
 Pin, Cotter, Hair, 0.31d .058 Wir, 2-15  
 Pin, Cotter, Hair, 0.38d .072 Wir, 2-117  
 Pin, Cotter, Hair, 0.62d .120 Wir, 2-101  
 Pin, Cotter, Hair, 1.00d .178 Wir, 2-7, 2-107, 3-13  
 Pin, Cotter, Hair, Dbl, 2-7, 3-13  
 Pin, Dowel, 6-3, 6-9, 6-10, 6-12  
 Pin, Dowel, Pump, Hyd, 4-7  
 Pin, Flywheel [Mit 20/20m], 6-18  
 Pin, Grvd, 0.43d 01.8l [303ss], 2-123, 3-9  
 Pin, Hitch, .375d X 3.12l, Pl, 3-7, 3-9, 3-67  
 Pin, Lift, Drain, 2-143  
 Pin, Locating, Lpg, 2-53  
 Pin, Lock, Cyl Head, 14mm X 17mm, 5-3, 5-5  
 Pin, Lock, Transmission, 5-5  
 Pin, Locking, Steering, Tilt, 2-17  
 Pin, Retainer, 2-37  
 Pin, Ring, Lock, Hsng, Water Pump, 5-7  
 Pin, Roll, .125 D X 0.75l, .125/.129, 2-107  
 Pin, Roll, .187d X 1.62l, .187/.192, 2-7, 2-107, 3-13  
 Pin, Spring, 6-9  
 Pin, Valve, Steering, 4-25  
 Pipe, Exhaust, Flex [Mit 2013], 2-75  
 Piston Set, Ring, 6-10  
 Piston, Pin [Std A], 6-10  
 Piston, Pin [Std B], 6-10  
 Piston, Pin [Std C], 6-10  
 Piston, Pump, Hyd, Gear, 4-5  
 Piston, W/ Pin, Std, 5-5  
 Pivot Wldt, Brush, Side, 3-11  
 Plate Assy, Orifice, 0.0105ld, Green, 4-30  
 Plate Kit, Repair, 2-23  
 Plate Wldt, Arm, Stop, 2-101  
 Plate Wldt, Fan, Hub [Gm 1.6l], 2-67  
 Plate Wldt, Hose, Vacuum, 2-147  
 Plate Wldt, Lift, Sqge, 2-121  
 Plate Wldt, Mtg, 3-37  
 Plate Wldt, Mtg, Solenoid, 2-107  
 Plate Wldt, Retainer, Sqge, 3-9  
 Plate Wldt, Seat, 2-15  
 Plate Wldt, Shakr, Side, 2-105  
 Plate Wldt, Wrap, Brush, 2-117  
 Plate, Backing, Brake, 2-93  
 Plate, Bottom, Hppr, 2-109, 2-111  
 Plate, Cam, 4-7  
 Plate, Cover, 4-7  
 Plate, Door, Clean-Out [Mit2013], 2-83  
 Plate, Guard, Belt [Gm 1.6l], 2-23  
 Plate, Guard, Fan Shrd, Gas/Lpg, Replmt, 2-77  
 Plate, Handle, 2-113, 2-115  
 Plate, Hook, Latch, [M20], 3-65  
 Plate, Hsng [FaST], 3-19  
 Plate, Inspection, 3-37  
 Plate, Label, Soltn Tank (ec-H20 only), 2-136  
 Plate, Mtg, 3-67  
 Plate, Mtg [Epr], 6-29  
 Plate, Mtg, Ecu [Mit 2.0/2.4l], 6-25  
 Plate, Mtg, Fan, Mach [Mit 2013], 2-69  
 Plate, Mtg, Latch, 2-135, 2-136  
 Plate, Mtg, Light, 2-13  
 Plate, Mtg, Prop Rod, 2-143  
 Plate, Mtg, Pump, 3-37, 3-63  
 Plate, Mtg, Relay, 2-31, 2-33, 2-41  
 Plate, Mtg, Seal, 2-19, 2-77  
 Plate, Mtg, Skirt, Scb Head (Replaced by None), 2-119  
 Plate, Mtg, Vacuum Wand, 3-59  
 Plate, Mtg, Valve, 3-25, 3-33, 3-43  
 Plate, Orifice, 0.070ld, 3-19  
 Plate, Orifice, 0.093ld, 3-19  
 Plate, Pin, Clevis, Upper, 2-101  
 Plate, Retainer, Door, Dump, 2-109, 2-111  
 Plate, Seal, Sound, 2-21  
 Plate, Shakr, 2-105  
 Plate, Shakr, Bar, 2-105  
 Plate, Shield, Dust, 2-69  
 Plate, Shield, Heat, Gas/Lpg, Replmt, 2-71, 2-73  
 Plate, Skirt, Front, 2-119  
 Plate, Spacer, Motor, Hyd [En], 4-9  
 Plate, Sppt, 2-95  
 Plate, Sppt, Tank, 2-143  
 Plate, Stop, Brake, 2-95  
 Plate, Tank, Bottom, 2-143  
 Plate, Tensioner, Adj [Mit 2.0/2.4l], 6-17  
 Plate, Valve, Motor, Hyd, 4-5  
 Plate, Valve, Pump, Hyd, 4-7  
 Plate, Water, Outlet [Mit Bypass], 6-23  
 Plate, Wear, Steering Valve, 4-25  
 Plug, 4-5, 6-3  
 Plug #10, 4-8  
 Plug #4, 4-8  
 Plug Assy [CI], 4-25  
 Plug Kit, Drain, Recvy, Ci [M20 & T20], 2-143  
 Plug Orifice, Valve, Hyd, .140, 4-21, 4-23  
 Plug Wldt, Drive, Brush, 2-113, 2-115  
 Plug Wldt, Drive, Brush, Sweep, 2-113, 2-115  
 Plug, .12npt, Ss, 2-31, 2-33, 2-37, 2-41  
 Plug, 1/8 Npt, Brs, Skt Hd [Mit], 6-15  
 Plug, 1/8npt, Brs [Mit], 6-30  
 Plug, 3/8npt X 5/16, Brs [Mit], 6-21  
 Plug, Bore, Valve, Relief, Oil Press, 5-7  
 Plug, Cap, 6-12  
 Plug, Drain, Expandable, 4.75-6.00, 2-143  
 Plug, Drain, Oil Pan, M14 X 1.5 X 12, 5-8  
 Plug, Flare, 37deg [Mit], 6-7  
 Plug, Hole, Coolant, Eng Block, 5-5  
 Plug, Hole, Core, Eng Block, 5-8  
 Plug, Hole, Injector, 2-37, 2-41  
 Plug, Hole, Rnd, 0.50h .03-.12, Blk Nyl, 2-13  
 Plug, Hole, Rnd, 0.81h, Blk, 2-9  
 Plug, Hole, Rnd, 0.88h .03-.12, Blk Nyl, 2-9  
 Plug, Hole, Rnd, 1.00h .03-.12, Blk Nyl, 2-9  
 Plug, Hole, Rnd, 1.25H .03-.12, Blk Nyl, 2-15  
 Plug, Hole, Rnd, 2.50h .03-.25, Blk Nyl, 2-9  
 Plug, Hole, Rt, Rocker Switch, .87 X 1.7, 2-13  
 Plug, Hole, Soltn Tank, Blk Pyu, 2-135  
 Plug, Hose, Pyu, 2-139, 2-145  
 Plug, Hsng, Oil Pump, 5-7  
 Plug, Injector [Mit], 6-15  
 Plug, Manifold, Intake, 2-29, 2-31, 2-33, 2-37, 2-41  
 Plug, Oil, Drain, 6-7  
 Plug, Orifice, 0.060, Ss [FaST li+], 4-30  
 Plug, Orifice, Valve, Hyd, .030, 4-11, 4-21, 4-23  
 Plug, Orifice, Valve, Hyd, .040, 4-11, 4-13, 4-15, 4-17, 4-21, 4-23  
 Plug, Orifice, Valve, Hyd, .046, 4-19, 4-21, 4-23  
 Plug, Orifice, Valve, Hyd, .063, 4-19  
 Plug, Port, Sensor [Map], 2-29, 2-31, 2-33, 2-37, 2-41  
 Plug, Pump, Hyd, Gear, 4-5  
 Plug, Restrictor, 3-43  
 Plug, Rubber, 6-7  
 Plug, Spark, 1-1, 6-19  
 Plug, Taper, 6-3  
 Plug, Tapper, 6-12  
 Plunger, 3-59, 3-61  
 Poppet, Pump, Hyd, Gear, 4-5  
 Pouch, 3-39  
 Pulley Assy, Damper, Torsional, 6-10  
 Pulley, Idler, 6-9

## CROSS REFERENCE

Pulley, Pump, Water, 6-13  
Pulley, Tension, Belt, Timing, 5-11  
Pulley, Tensioner, 6-9  
Pulley, Tensioner, Assy[Mit2.0/2.4], 6-17  
Pump Assy, Column, Es, 4-3  
Pump Assy, Column, Es (See Breakdowns), 3-5  
Pump Kit, Hyd, Rotating [Cessna], 4-7  
Pump Kit, Mtg, Aux, Ci [M20 & T20], 2-165  
Pump, Diaphragm, 4-27  
Pump, Air, Ele, 12vdc, 3-21  
Pump, Detgt, 12vdc, 3-21  
Pump, Detgt, 14vdc, 150ml/Min 20psi, 4-26  
Pump, Detgt, 14vdc, 150ml/Min 20psi (See Breakdowns), 3-3  
Pump, Diaphragm (See Breakdowns), 3-63  
Pump, Fuel, 2-51  
Pump, Fuel, Hi Press [Gm 1.6/3.0], 2-49  
Pump, Gear, Drive, Oil, 6-12  
Pump, Gear, Oil, 6-12  
Pump, Hyd, Piston, Var, 1.24 4000, Cw, 4-7  
Pump, Hyd, Piston, Var, 1.24 4000, Cw (See Breakdowns), 2-165  
Pump, Oil, 5-7, 6-12  
Pump, Soltn, 13.7vdc, 65psi [FaST li+], 3-29  
Pump, Soltn, Ele, 12vdc [W/O Chk Valve], 3-19  
Pump, Soltn, Ele, 13.7vdc, 12/28psi, 3-37  
Pump, Sprocket, Oil, 6-9  
Pump, Water, 6-13  
Pump, Water [Gm], 5-7

### Q

Qd36Gasket, Body, Throttle [1.6], 2-29

### R

Race Thrust, 4-8  
Race, Brg, Pump, Hyd, 4-7  
Radiator, 2-78  
Radiator (Replaced by 1045316), 2-78  
Radiator, W/ Hyd Cooler [Side X Side], 2-81, 2-83  
Rail, Injector, Fuel, Plstc, 2-31, 2-33  
Rail, Injector, Gas, W/ Press Reg, 2-29  
Receptacle, Lamp [Speaker], 2-7  
Regulator [ Gm3.0l 2010], 6-29  
Regulator [Ep], 2-45, 2-47  
Regulator, Lpg, 2-37  
Regulator, Press, Electronic [Epr], 6-30  
Relay, 12vdc, 20a, Spdt, 2-234  
Relay, 12vdc, 40a, Spdt, 2-234  
Relay, 12vdc, 40a, Spdt N/O, 2-89, 3-19, 3-63  
Relay, 12vdc, 040a, Spdt No, 2-229, 3-29, 3-37  
Repair Kit, Mixer, 6-30  
Repair Kit, Vaporizer, 6-29

Reservoir, Hyd, 10.0Gal, Replmt, 2-169  
Resistor, Ele, Plug [430 , 2w], 3-46  
Restrictor, Jet, Coolant, 2-37  
Retainer, Boot, Steering Column, 2-17  
Retainer, Camshaft, 5-11  
Retainer, Motor, Hyd, 4-5  
Retainer, Ring, Brake, 2-93  
Retainer, Skirt, 2-119  
Retainer, Skirt, Front, 2-119  
Retainer, Sparkplug, 2 Way, 5-12  
Retainer, Sparkplug, 3 Way, 5-12  
Retainer, Spring, 2-121  
Retainer, Sqge, 3-7  
Retainer, Sqge, Side, Lh, 2-131  
Retainer, Sqge, Side, Rh, 2-127  
Ring Kit, Piston, Std 78.95-79.02mm, 5-5  
Ring, Lock, 4-7  
Ring, Motor, Hyd, 4-5  
Ring, Mtg, Sqge, .50l, 2-123  
Ring, Retainer, Steering Valve, 4-25  
Ring, Retaining, 4-7, 6-17  
Ring, Retaining, Ext, 0.38d, [E-Ring], 2-123, 2-125, 3-9  
Ring, Retaining, Ext, 0.38d, [Selflock], 2-121  
Ring, Retaining, Ext, 0.50d, Hd, 2-17  
Ring, Retaining, Ext, 0.62d, Hd, 2-125  
Ring, Retaining, Ext, 0.98d, [E-Ring], 2-95  
Ring, Retaining, Ext, 1.00d, Basic, 2-113, 2-115  
Ring, Retaining, Int, 2.00d, 2-101  
Ring, Retaining, Pump, Hyd, 4-7  
Rivet, Blind, .125d X 0.54 X .25d, Alm, 2-135, 2-136  
Rivet, Plstc, .250d X 0.898, 2-17  
Rivet, Plstc, .250d X 0.90, 3-39, 3-61  
Rod, 2-95  
Rod Assy, Connecting, 6-10  
Rod Wldt, Arm, Safety, 2-101  
Rod-End, .25-28rh Fem 0.25b [Teflon], 2-97  
Rod-End, .50-20lh Fem 0.50-20stud, 2-117  
Rod-End, .50-20rh Fem 0.50b, 2-117  
Rod-End, .50-20rh Mal 0.50b, 3-11  
Rod, Connecting, M08 X 45, 5-5  
Rod, Hanger, Isolator, 2-73, 2-75  
Rod, Thr, 2 End, .50-20 04.9l, Rh / Lh, 2-117  
Roller, Brg, 2-139, 2-145

### S

Screen Wldt, Hppr, 2-103  
Screen, Oil, 6-7  
Screen, Oil Pump, W/ Suc Pipe, 5-7  
Screen, Pump, 3-5  
Screen, Vacuum, 2-143  
Screw, 2-45, 2-47, 4-8, 6-5, 6-12  
Screw, Adj, Valve, Hyd, 5-3  
Screw, Btn, M8 X 1.25 X 16, Ss, 3-13  
Screw, Btn, M8 X 1.25 X 20, Blk, 2-127, 2-131, 3-65

Screw, Btn, M8 X 1.25 X 25, Ss, 3-7  
Screw, Cap, 4-7  
Screw, Cap, Motor, Hyd, 4-5  
Screw, Flt, .25-20 X 1.00, Al, 2-147  
Screw, Flt, .38-16 X 0.75, Al, 2-67  
Screw, Flt, .38-16 X 1.00, Al, 2-67  
Screw, Flt, .38-16 X 1.50, Al, 2-147  
Screw, Flt, M10 X 1.5 X 25, 10.9, 2-127, 2-131  
Screw, Flt, M10 X 1.5 X 30, Ss 18-8, 2-109  
Screw, Flt, M8 X 1.25 X 20, Blk, 2-127, 2-131  
Screw, Flt, M8 X 1.25 X 25, 2-21  
Screw, Flt, M8 X 1.25 X 25, 10.9, 2-109, 2-149  
Screw, Flt, M8 X 1.25 X 30, Ss, 2-139, 2-145  
Screw, Flt, Soc, .38-16 X 1.00, Al, 2-69  
Screw, Hex, .25-14 X 0.75, Fmg/Ab, Ss, 2-143  
Screw, Hex, .25-20 X 0.50, 5, 2-23  
Screw, Hex, .25-20 X 0.50, G5, 2-31, 2-33, 2-35, 2-41, 2-43  
Screw, Hex, .25-20 X 0.75, G5, 2-31, 2-33, 2-41  
Screw, Hex, .25-20 X 0.75, NI, 2-149  
Screw, Hex, .25-20 X 1.00, 5, 3-7, 3-9  
Screw, Hex, .25-20 X 1.25, Ss, 2-97  
Screw, Hex, .25-20 X 1.75, Ss, 2-97  
Screw, Hex, .31-18 X 1.75, 5, 2-67  
Screw, Hex, .31-18 X 4.50, 5, 2-67  
Screw, Hex, .31-24 X 0.75, NI, 2-99  
Screw, Hex, .38-16 X 0.75, G5, 2-67  
Screw, Hex, .38-16 X 0.75, NI, 2-113, 2-115, 3-7, 3-9  
Screw, Hex, .38-16 X 0.88, 5, 3-67  
Screw, Hex, .38-16 X 1.00, 5, 2-49, 2-99  
Screw, Hex, .38-16 X 1.25, 5, 2-165, 3-59  
Screw, Hex, .38-16 X 1.25, NI, 2-99  
Screw, Hex, .38-16 X 1.50, Ss, 3-11  
Screw, Hex, .38-16 X 2.00, Ss, 2-99  
Screw, Hex, .38-16 X 3.00, 5, 2-53  
Screw, Hex, .38-16 X 3.75, 5, 2-53  
Screw, Hex, .50-13 X 1.25, 5, 2-23  
Screw, Hex, .50-13 X 1.50, 5, 2-117  
Screw, Hex, .50-13 X 3.00, Ss18-8, 2-125  
Screw, Hex, .75-10 X 3.25, G5, 2-91  
Screw, Hex, .75-10 X 4.00, 5, 2-91  
Screw, Hex, #10-16 X 0.62, Fmg [Ab], 3-63  
Screw, Hex, #10-16 X 0.62, Fmg, [Ab], 2-19  
Screw, Hex, #10-24 X 0.50, Ss, 2-67  
Screw, hex, H6 X 1.00 X 20, 9.8, Sems, 3-57  
Screw, Hex, M07-1.00 X 23.0, 8.8, 2-23  
Screw, Hex, M10 X 1.25 X 25, 8.8, 2-25, 2-27  
Screw, Hex, M10 X 1.5 X 16, 8.8, 2-17  
Screw, Hex, M10 X 1.5 X 20, 8.8, 2-67  
Screw, Hex, M10 X 1.5 X 20, Ss, 2-105, 2-109, 2-111

- Screw, Hex, M10 X 1.5 X 25, 8.8, 2-7, 2-9, 2-23, 2-167
- Screw, Hex, M10 X 1.5 X 25, Ss, 2-101, 2-107, 2-117, 2-129, 2-133
- Screw, Hex, M10 X 1.5 X 30, 8.8, 3-55
- Screw, Hex, M10 X 1.5 X 30, Ss, 2-7, 2-109, 2-111, 2-121, 3-13
- Screw, Hex, M10 X 1.5 X 35, 8.8, 2-71, 2-73, 2-75, 3-67
- Screw, Hex, M10 X 1.5 X 40, 8.8, 2-149
- Screw, Hex, M10 X 1.5 X 45, 8.8, 3-67
- Screw, Hex, M10 X 1.5 X 80, 8.8, 3-67
- Screw, Hex, M10 X 1.50 X 20, 8.8, 2-73
- Screw, Hex, M10 X 1.50 X 25, 8.8, 2-81
- Screw, Hex, M10 X 1.50 X 45, 8.8, 2-81, 2-83
- Screw, Hex, M10 X 1.50 X 60, 8.8, 2-105
- Screw, Hex, M12 X 1.75 X 30, 8.8, 3-11
- Screw, Hex, M12 X 1.75 X 30, Ss, 2-107
- Screw, Hex, M12 X 1.75 X 35, 8.8, 2-25, 2-27
- Screw, Hex, M12 X 1.75 X 40, 8.8, 2-93, 2-117
- Screw, Hex, M12 X 1.75 X 55, Ss, 2-129, 2-133
- Screw, Hex, M12 X 1.75 X 60, 8.8, 2-23, 2-25, 2-27
- Screw, Hex, M16 X 2.0 X 90, 8.8, 2-19
- Screw, Hex, M4 X 0.7 X 10, Fmg, 2-101
- Screw, Hex, M4 X 0.7 X 12, 8.8, 3-21
- Screw, Hex, M4 X 0.70 X 12, 8.8, 3-37
- Screw, Hex, M4 X 0.70 X 50, Ss, 4-29
- Screw, Hex, M5 X 0.8 X 10, Fmg, 2-117
- Screw, Hex, M5 X 0.8 X 12, Ss, 3-13
- Screw, Hex, M5 X 0.8 X 16, Fmg, 3-59, 3-67
- Screw, Hex, M5 X 0.8 X 20, 8.8, 2-15, 2-99, 2-101
- Screw, Hex, M5 X 0.80 X 12, Ss, 3-37
- Screw, Hex, M5 X 0.80 X 16, Fmg, 3-61
- Screw, Hex, M5 X 0.80 X 16, Ss, 3-57
- Screw, Hex, M5 X 0.80 X 20, 8.8, 3-37
- Screw, Hex, M6 X 1.0 X 12, Fmg, 2-7, 2-77, 2-167
- Screw, Hex, M6 X 1.0 X 12, Ss, 3-65
- Screw, Hex, M6 X 1.0 X 16, 8.8, 2-19, 2-29, 2-37, 2-77, 2-89, 2-95
- Screw, Hex, M6 X 1.0 X 16, Fmg, 2-95, 2-97, 2-107, 2-119, 3-3, 3-19, 3-21
- Screw, Hex, M6 X 1.0 X 16, Ss, 2-105
- Screw, Hex, M6 X 1.0 X 20, 8.8, 2-15, 2-55, 2-61, 2-77
- Screw, Hex, M6 X 1.0 X 20, 9.8, Sems, 2-78, 2-101
- Screw, Hex, M6 X 1.0 X 20, Ss, 2-71, 2-73, 2-75, 2-109, 2-111, 2-141, 2-143
- Screw, Hex, M6 X 1.0 X 25, 8.8, 2-107
- Screw, Hex, M6 X 1.0 X 25, Ss, 2-129, 2-133
- Screw, Hex, M6 X 1.0 X 35, Ss, 2-119
- Screw, Hex, M6 X 1.0 X 50, 8.8, 2-51
- Screw, Hex, M6 X 1.0 X 55, Ss, 2-143
- Screw, Hex, M6 X 1.0 X 60, 8.8, 2-95
- Screw, Hex, M6 X 1.00 X 12, Ss, 2-136, 3-37, 3-65
- Screw, Hex, M6 X 1.00 X 16, 8.8, 2-9, 2-31, 2-33, 2-41, 2-45
- Screw, Hex, M6 X 1.00 X 16, Fmg, 2-81
- Screw, Hex, M6 X 1.00 X 16, Ss, 3-29
- Screw, Hex, M6 X 1.00 X 20, 8.8, 2-23, 2-75
- Screw, Hex, M6 X 1.00 X 20, 9.8, Sems, 2-17, 2-19, 2-81, 2-83, 3-37
- Screw, Hex, M6 X 1.00 X 20, Ss, 2-129, 2-133
- Screw, Hex, M6 X 1.00 X 25, 9.8 Sems, 2-13, 2-57, 2-59, 2-63, 2-65, 2-81, 2-83
- Screw, Hex, M6 X 1.00 X 25, Ss, 2-143
- Screw, Hex, M6 X 1.00 X 35, 8.8, 2-31, 2-33, 2-41
- Screw, Hex, M6 X 1.00 X 35, Ss, 3-37
- Screw, Hex, M8 X 1.25 X 110, Ss, 2-123, 3-15
- Screw, Hex, M8 X 1.25 X 120, 8.8, Fl, 2-69, 2-171
- Screw, Hex, M8 X 1.25 X 130, 8.8, 2-113, 2-115
- Screw, Hex, M8 X 1.25 X 16, 8.8, 2-67, 2-69, 2-143, 3-11
- Screw, Hex, M8 X 1.25 X 16, Ss, 2-113, 2-115, 2-139, 2-145
- Screw, Hex, M8 X 1.25 X 20, 8.8, 2-9, 2-15, 2-19, 2-21, 2-49, 2-51, 2-53, 2-55, 2-61, 2-67, 2-69, 2-81, 2-85, 2-87, 2-91, 2-95, 2-147
- Screw, Hex, M8 X 1.25 X 20, Ss, 2-9, 2-15, 2-21, 2-53, 2-77, 2-85, 2-105, 2-113, 2-115, 2-117, 2-119, 2-129, 2-133, 2-135, 2-139, 2-143, 2-145, 2-147, 2-171, 2-173, 3-3, 3-5, 3-21, 3-29, 3-37, 3-47, 3-49, 3-51, 3-63
- Screw, Hex, M8 X 1.25 X 25, 8.8, 2-7, 2-9, 2-49, 2-51, 2-53, 2-55, 2-57, 2-59, 2-61, 2-63, 2-65, 2-69, 2-77, 2-81, 2-83, 2-87, 2-105, 2-139, 2-145, 2-167, 2-169
- Screw, Hex, M8 X 1.25 X 25, 9.8, Sems, 2-7, 2-81, 2-83, 2-89, 2-107, 2-143, 2-149
- Screw, Hex, M8 X 1.25 X 25, Fmg, 2-119, 3-21, 3-25, 3-33, 3-43
- Screw, Hex, M8 X 1.25 X 25, Ss, 2-85, 2-99, 2-103, 2-109, 2-111, 2-113, 2-115, 2-119, 2-121, 2-135, 3-7, 3-11, 3-15
- Screw, Hex, M8 X 1.25 X 30, 8.8, 2-69, 2-139, 2-145
- Screw, Hex, M8 X 1.25 X 35, 8.8, 2-95, 2-139, 2-145
- Screw, Hex, M8 X 1.25 X 35, 9.8, Sems, 2-81, 2-83
- Screw, Hex, M8 X 1.25 X 35, Ss, Fl, 2-121
- Screw, Hex, M8 X 1.25 X 40, 8.8, Fl, 2-69
- Screw, Hex, M8 X 1.25 X 40, Ss, Ni, 2-99
- Screw, Hex, M8 X 1.25 X 45, 8.8, 2-49, 2-51
- Screw, Hex, M8 X 1.25 X 45, Ss, 2-71, 2-73, 2-75, 2-125
- Screw, Hex, M8 X 1.25 X 50, 8.8, 2-99
- Screw, Hex, M8 X 1.25 X 50, Ss, Fl, 2-119
- Screw, Hex, M8 X 1.25 X 60, 8.8, 2-105, 2-121
- Screw, Hex, M8 X 1.25 X 60, 8.8, Fl, 2-9, 2-67
- Screw, Hex, M8 X 1.25 X 60, Fl, 2-117
- Screw, Hex, M8 X 1.25 X 70, 8.8, 2-95
- Screw, Hex, M8 X 1.25 X 90, 8.8, 2-69, 2-125
- Screw, Motor, Hyd [En], 4-9
- Screw, Mtg [Ehpr98], 4-17, 4-23
- Screw, Pan, #12-16 X 0.50, F/ Plstc, 2-143, 3-68
- Screw, Pan, 12-16 X 0.50, F/ Plstc (ec-H20 only), 2-136
- Screw, Pan, M3 X 0.5 X 20, 4.8, 2-105
- Screw, Pan, M4 X 0.7 X 10, Ss, 2-127, 2-131
- Screw, Pan, M4 X 0.7 X 16, 4.8, 2-21
- Screw, Pan, M4 X 0.7 X 16, Ss, 2-21, 3-3
- Screw, Pan, M4 X 0.7 X 20, 4.8, 2-107
- Screw, Pan, M4 X 0.7 X 20, Ss, 2-107
- Screw, Pan, M4 X 0.7 X 25, 4.8, 2-15
- Screw, Pan, M4 X 0.7 X 35, Ss, 2-99
- Screw, Pan, M4 X 0.70 X 16, 4.8, 2-77
- Screw, Pan, M5 X 0.8 X 12, Ss, 2-15, 2-21, 2-53, 2-105, 2-141, 3-19, 3-25
- Screw, Pan, M5 X 0.8 X 40, 4.8, 2-29, 2-37
- Screw, Pan, M5 X 0.8 X 40, Ss, 2-113, 2-115, 3-19
- Screw, Pan, M5 X 0.80 X 45, 4.8, 3-63
- Screw, Pan, M6 X 1.0 X 16, Ss, 2-121
- Screw, Pan, M6 X 1.00 X 16, 4.8, 2-67
- Screw, Pan, M8 X 1.25 X 25, Blk, 2-9, 2-13, 2-15, 2-17, 2-21
- Screw, Pan, M8 X 1.25 X 25, Ss, 2-7
- Screw, Pan, Phl, 06-20 X 0.50, Fmg/Ab, 2-135, 2-136
- Screw, Pan, Phl, 12-16 X 0.50, F/ Plstc, 2-135, 2-136
- Screw, Pan, Phl, M4 X 0.70 X 20, Ss, 3-37
- Screw, Pan, Phl, M5 X 0.80 X 12, Ss, 3-29, 3-33, 3-65
- Screw, Pan, Phl, M5 X 0.80 X 16, Tcut,Ss, 4-29
- Screw, Pan, Phl, M5 X 0.80 X 20, Ss, 3-43, 3-47, 3-49, 3-51, 3-52, 3-53
- Screw, Pan, Phl, M6 X 1.00 X 35, Ss, 2-5
- Screw, Set, #10-24 X 0.25, Ni, 2-105
- Screw, Soc, .25-20 X 0.75, Al, 2-17
- Screw, Soc, .38-16 X 1.50, Al, 2-23
- Screw, Soc, .50-13 X 1.50, Al, 2-91
- Screw, Soc, M12 X 1.75 X 55, 10.9, 2-23
- Screw, Soc, M16 X 2.0 X 50, 12.9, 2-91
- Screw, Soc, M4 X 0.70 X 16, 6-30
- Screw, Soc, M6 X 1.0 X 25, 12.9, 2-29
- Screw, Soc, M6 X 1.0 X 45, 12.9, 2-29

## CROSS REFERENCE

- Screw, Soc, M6 X 1.00 X 25, 12.9, 2-31, 2-33, 2-41  
Screw, Soc, M6 X 1.00 X 45, 12.9, 2-31, 2-33  
Screw, Soc, M8 X 1.25 X 25, 12.9, 2-129, 2-133  
Screw, Soc, M8 X 1.25 X 35, 12.9, 2-129, 2-133  
Screw, Soc, M8 X 1.25 X 70, 12.9, 2-41  
Screw, Valve, Steering, 4-25  
Screw, Hex, M5 X 0.80 X 29, 8.8, 3-57  
Seal Kit, Cartridge, 2-173, 4-11, 4-13, 4-15, 4-17, 4-19, 4-21, 4-23  
Seal Kit, Motor [CI], 4-9  
Seal Kit, Pump, Hyd, 4-7  
Seal Kit, Steering [CI], 4-25  
Seal Kit, Valve [Ehpr98], 4-17, 4-23  
Seal Replmt Kit, 4-8  
Seal, Sponge, 0.88 1.00W 43.0L, 2-19  
Seal, Afmkt, Bulb, 90, 0.50d, 02ft, 2-15  
Seal, Afmkt, Bulb, 90, 0.75d F/11ga 02ft, 2-15, 2-21  
Seal, Afmkt, Bulb, 90, 0.75d F/11ga 08ft, 2-9  
Seal, Afmkt, Bulb, Str, 0.58d 08ft, 2-83  
Seal, Afmkt, Bulb, Str, 1.0d F/11ga 08ft, 2-19  
Seal, Afmkt, Ure, Adh, 0.38, 0.38w 02ft, 2-83  
Seal, Afmkt, Ure, Adh, 0.38, 0.75w 08ft (Replaced By none), 2-105  
Seal, Bolt, 6-9  
Seal, Bulb, Str, .50Hi .50W 047.2L, Adh, 2-135, 2-136  
Seal, Cap, 6-5  
Seal, Case, Oil, Rear, 6-3  
Seal, Door, Dump, 2-109, 2-111  
Seal, Door, Dump, Side, 2-109  
Seal, Drive, Rear, Grease Cav, 2-91  
Seal, Foam, 0.50, 2-9  
Seal, Oil, 6-3, 6-5, 6-12  
Seal, Oil, Cshft, 5-5  
Seal, Org, 2-37  
Seal, Org, .069 X 3.06id, 2-165  
Seal, Org, .072 X 00.35id #04, 4-11, 4-19, 4-21, 4-23  
Seal, Org, .078 X 00.47id #06, 4-11, 4-13, 4-19, 4-21, 4-23  
Seal, Org, .078 X 00.47id 06, 4-15, 4-17  
Seal, Org, .087 X 00.64id #08, 4-19  
Seal, Org, Bolt, Cover, Camshaft Hsng, 5-11  
Seal, Org, Cap, 5-3  
Seal, Org, Cap, Fltr, Oil, 5-8  
Seal, Org, Hsng, Oil Pump, 5-7  
Seal, Org, Lpg, Mixer [Gm 2007], 6-28  
Seal, Org, Oil Pump, 5-7  
Seal, Org, Press Switch / Drain Plug, 5-7, 5-8  
Seal, Org, Sensor, Temp [Epr], 2-45, 2-47  
Seal, Org, Throttle Body, 2-37  
Seal, Org, Water Pump, 5-7  
Seal, Panl, Instmt, 2-9  
Seal, Plug, Drain, Nitrile, 2-143  
Seal, Radiator, 2-77  
Seal, Radiator, Upper, 2-89  
Seal, Rbr, Clsd, 0.13, Instmt Panl, 2-13  
Seal, Ring, Pipe, Suc, Oil Pump, 5-7  
Seal, Seat, Valve, 5-3  
Seal, Shaft, Drain Plug, 2-143  
Seal, Ure, 0.38 0.75w 13.2l Adh, 2-149  
Seal, Ure, 0.38 0.75w 33.0l Adh, 2-149  
Seal, Wire, 14/16ga [Wp / Mp280 Sealed], 4-27  
Sealant, Tube, Ds, 5-8  
Seat, Rotator, Valve, 5-3  
Seat, Spring, Valve, 5-3  
Seat, Spring, Valve, 0.333, 5-3  
Seat, Suspension, W/1 Arm And Belt, 2-15  
Seat, Valve, Exhaust, [+0.2mm], 5-3  
Seat, Valve, Exhaust, [+0.4mm], 5-3  
Seat, Valve, Exhaust, Std, 5-3  
Seat, Valve, Intake, [+0.2mm], 5-3  
Seat, Valve, Intake, [+0.4mm], 5-3  
Seat, Valve, Intake, Std, 5-3  
Seatbelt, Retractable [Deluxe Seat], 2-15  
Send-Unit, Fuel, 2-49  
Send-Unit, Fuel [2007], 2-51  
Send-Unit, Water, Temp, 04npt 113oh/195d, 2-169  
Sender, Oil, Press [Mit], 6-25  
Sensor [T Map], 2-31, 2-33, 2-41  
Sensor [Tmap], 2-29, 2-37, 6-25  
Sensor, Cam, Wheel [Mit 2.0/2.4], 6-25  
Sensor, Camshaft [Mit], 6-25  
Sensor, Exhaust, Tailpipe, 2-73, 2-75, 6-25  
Sensor, Level, Liq, 14vdc 01a .62-11, 2-136, 2-143, 3-5  
Sensor, Oxygen, 2-71  
Sensor, Oxygen [Gm 1.6L/3.0L 2007], 2-73  
Sensor, Position, Cshft, 2-23, 5-7  
Sensor, Spd / Dir, 6-30vdc, 2-99  
Sensor, Spd, Timing Wheel [3.0], 6-25  
Sensor, Temp [Epr], 2-45, 2-47  
Sensor, Temp, Coolant, 2-23, 6-25  
Sensor, Temp, Water [Rework For 1.6GM], 2-23  
Shaft Wldt, Brake, 2-95  
Shaft Wldt, Pedal, Brake, 2-95  
Shaft, Arm, Rocker, 6-9  
Shaft, Arm, Rocker, 6-9  
Shaft, Brush, Idler, 2-113, 2-115  
Shaft, Cap, Rocker, 6-9  
Shaft, Left, Balancer, 6-11  
Shaft, Motor, Hyd, 4-5  
Shaft, Output, 4-8  
Shaft, Output, Motor, Hyd [En], 4-9  
Shaft, Pump, 4-7  
Shaft, Pump, Water, 4-3  
Shaft, Right, Balancer, 6-11  
Shaft, Spring, Rocker, 6-9  
Shaft, Sprocket, Balancer, 6-11  
Shaker Wldt, 2-105  
Sheave Assy Kit, Repair, 2-67  
Sheave, 5.00dia [Gm1.6l 2007], 2-67  
Sheave, Cshft, 5-5  
Sheave, Mach [Gm1.6l], 2-67  
Sheave, Mach [Mit 2615rpm Fan], 2-69  
Shield, Heat, Gas/Lpg, Replmt, 2-73  
Shield, Heat, Gas/Lpg, Replmt (Japan Only), 2-73  
Shield, Heat, Lower [Mit 20/24m], 6-16  
Shield, Heat, Upper [Mit 20/24m], 6-16  
Shield, Manifold, Exhaust, 5-9  
Shield, Starter [1.6l], 2-23  
Shield, Tray, Drip [Mit 2013], 2-75  
Shim Kit, 4-7  
Shim, Washer, 0.88d 0.51b .020, 2-147  
Shim, Washer, 0.88d 0.51b .060, 2-147  
Shock Absorber, 2.3 Strk, 2-99  
Shoe, Brake, 180 X 30mm, 2-93  
Shoe, Plstc, Sqge, 14.0, 3-59, 3-61  
Shrd Wldt, Fan, G/Lp, Replmt [M20/M30/T20], 2-81, 2-83  
Shrd Wldt, Fan, G/Lp, Replmt [TJ] (Japan Only), 2-81, 2-83  
Shroud Assy, Eng, 2-21  
Shroud Wldt, Fan, 16.25d [Side X Side], 2-81  
Shroud, Fan, 2-83  
Shroud, Front, Trimmed, 2-19  
Shroud, Seat, 2-15  
Skirt, Debris, Eng Radiator, 2-77  
Skirt, Eng Fan, Gas / Lp, 2-81, 2-83  
Skirt, Neo, .06, 06.38w 40.86l, 06 Hole, 1-1, 2-119  
Skirt, Neo, .06, 06.85w 27.95l, 08 Hole, 1-1, 2-127, 2-131  
Skirt, Neo, .06, 07.63w 51.52l, 11 Hole, 2-119  
Skirt, Neo, .06, 12.00w 45.88l, 07 Hole, 1-1, 2-119  
Skirt, Neo, .06, 26.99w 40.55l, 36 Hole, 2-119  
Skirt, Neo, .12, 05.39w 14.01l, 02 Sl, 2-119  
Skirt, Neo, .18, 10.37w 27.95l, 12 H&S, 1-1, 2-127, 2-131  
Skirt, Rbr, .37, 04.50w 40.94l, 06 Hole, 1-1, 2-119  
Sleeve, 0.31b 0.50d 0.3l, Ss, 2-129, 2-133, 2-143  
Sleeve, 0.49b 0.68d 1.2l [304ss], 2-129, 2-133  
Sleeve, Dashpo, Pump, Hyd, Gear, 4-5  
Sleeve, Nyl, #37 05.0l, 2-91  
Sleeve, Nyl, 2.38id 25.0l, 2-91  
Sleeve, P/M, 0.31b 0.50d 0.3l [430ss], 2-139, 2-145  
Sleeve, P/M, 0.31b 0.50d 0.7l [430ss], 2-123, 2-139, 2-145  
Sleeve, P/M, 0.31b 0.50d 0.9l [430ss], 2-71, 2-73, 2-75, 2-113, 2-115  
Sleeve, P/M, 0.34b 0.63d 0.6l, Bnz, 2-125  
Sleeve, P/M, 0.34b 0.63d 1.2l, Bnz, 2-123  
Sleeve, P/M, 0.37b 0.50d 0.6l [430ss], 3-11  
Sleeve, P/M, 0.43b 1.00d 1.0l, Stil, 2-49  
Sleeve, P/M, 0.47b 0.75d 0.5l [430ss], 2-117

Sleeve, Pump, Water, 4-3  
 Sleeve, Rbr, 3.50b 3.58d 1.8l, 3-5  
 Sleeve, Throttle, Plstc [Bosch], 2-37  
 Solenoid, #10, 12vdc, 4-13, 4-15, 4-17, 4-19, 4-21, 4-23  
 Solenoid, #8, 12vdc, 4-11, 4-13, 4-15, 4-17, 4-19, 4-21, 4-23  
 Solenoid, 12v, Valve, Hyd [Cec], 4-10  
 Solenoid, Pull, 12vdc, Damper, 2-107  
 Spacer, 3-7, 3-9  
 Spacer Plate, 4-8  
 Spacer, Alternator [Mit 2.0/2.4l], 6-20  
 Spacer, Belt, Balancer, Train, 6-11  
 Spacer, Coil, #8, 4-11, 4-21, 4-23  
 Spacer, Crankshaft, 2-69  
 Spacer, Fan, 2-67  
 Spacer, Fan, Taper [2007], 2-67  
 Spacer, Fan, Taper [Mit 2013], 2-69  
 Spacer, Hub, Keyed, 3-7, 3-9  
 Spacer, Pad, Rbr, 2-121  
 Spacer, Plstc, Ny, 2-15  
 Spacer, Pump, Water, 2-69  
 Spacer, Ring, Throttle [Mit 40mm], 6-28  
 Spacer, Sppt, Fitr Lock Off, 2-37  
 Spacer, Sqge, Side Brush, Rbr, 3-9  
 Spacer, Strap, Adj, Alternator, 2-67  
 Spacer, Valve, Steering, 4-25  
 Sparkplug, 5-12  
 Sparkplug [Gm ], 1-1  
 Sparkplug [Gm, 1pick=1plug], 1-1  
 Spool, Pilot, Dual, Hyd, 4-21, 4-23  
 Spool, Pilot, Hyd, 4-11, 4-13, 4-15, 4-17, 4-19, 4-21, 4-23  
 Spring, 4-5  
 Spring Kit, Scu [C], 4-25  
 Spring, 3/4 X 16 [Gm1.6L 2010 Lpg], 2-47  
 Spring, Cmpr, 0.9od .042wir 02.0l, 2-123  
 Spring, Cmpr, 18.8d, 1.6w, 57.1l, 2-17  
 Spring, Dsl, 1.00od 0.50id 1.7l, 2-125  
 Spring, Extn, 0.75od X 0.09wir, 2.5l, 2-129, 2-133  
 Spring, Extn, 0.75od X 0.12wir, 4.3l, 2-99  
 Spring, Extn, 0.88od X 0.14wir, 9.0l, 2-121  
 Spring, Extn, 2.00od 0.25wir 07.5l, 2-117  
 Spring, Flat, Retainer, Angled Screen, 2-103  
 Spring, Flat, Retainer, Screen, 2-103  
 Spring, Fit, 0.08th, 4.50w X 07.0l, 2-121  
 Spring, Keeper, 2-125  
 Spring, Motor, Hyd, 4-5  
 Spring, Tors, 0.75id .06wir 02.8coil, 2-95  
 Spring, Tors, 1.13id .12wir 02.3coil Rh, 2-95  
 Spring, Valve, 5-3  
 Spring, Valve, Relief, Oil Press, 5-7  
 Spring, Wir, 0.08d, Brake, Parking, 2-95  
 Spring, Wir, 0.16d, Brush Retaining, 2-5  
 Spring, Wir, 0.25d, Return, Brake, 2-93  
 Sprocket Assy, Cshft, 6-9  
 Sprocket, Camshaft, 5-11, 6-9  
 Sprocket, Crankshaft, 5-11  
 Sprocket, Cshft, 6-11

Sprocket, Flange, Cshft, 6-11  
 Squeegee Assy, Sba, Linatex, 1-2, 3-7  
 Squeegee Assy, Sba, Ure, 1-2, 3-7  
 Squeegee Kit, Rear, Replmt [M20/T20], 2-123  
 Squeegee Wldt, Rear, 2-123  
 Starter, 12vdc [Delco] (Mar. 2006 and Newer), 5-5  
 Starter, 12vdc [Gm] (Before Mar. 2006), 5-5  
 Starter, Motor [Mit 2.0/2.4l], 6-20  
 Steer-Control, Hyd#05, 06.1 2030 (See Breakdowns), 2-17  
 Steer-Control, Hyd05, 06.1 2030, 4-25  
 Stem, Valve, Hyd, 4-13, 4-15, 4-17, 4-19, 4-21, 4-23  
 Stem, Valve, Hyd [4w2p], 4-15, 4-17, 4-21, 4-23  
 Stem, Valve, Hyd, 4w2p, 4-11, 4-13, 4-19  
 Stop, Rotation, 2-125  
 Strainer, Hyd, 25gpm 100mesh Psi, 2-169  
 Strainer, Hyd, 025gpm 100mesh 03psi, 1-1  
 Strainer, Hyd, 25 Gpm 100 Mesh, 1-1  
 Strainer, Soltn, 20 Mesh, Cyl 3.5d 9.5l, 3-5  
 Strap, Adj, Alternator, 2-67  
 Strap, Door, Dump, 2-109, 2-111  
 Strap, Door, Dump, Side, 2-109  
 Strap, Mtg, Motor, .124.00W, 2-105  
 Strap, Mtg, Tank, Lpg, 2-53  
 Strap, Mtg, Tank, Lpg, Hinge, 2-53  
 Strap, Pyp, 0.07 1.0w 18.5l, W/ Buckle, 3-59  
 Strap, Rbr, Tie-Down, 2/Hooks 19.0l, 2-89  
 Strap, Retaining, Hose, 2-139, 2-145  
 Strap, Sppt, 2-99  
 Strap, Static, Afrmkt, 2-119  
 Strap, Tank, Gas, 2-49, 2-51  
 Strip Mtg, Seal, 2-19  
 Strip, Flap, Recirculation, 2-119  
 Strip, Non-Slip, 0.50w 06.0l, 2-123  
 Strip, Rbr, 0.06 01.00W 04.0L, 2-105  
 Strip, Rbr, 0.06 03.54w 03.5l [Neo/60], 3-37  
 Strip, Rbr, 0.06 04.00w 05.0l Neo/60, 2-105  
 Stud, 6-5  
 Stud, .31-18 2.75l M8 X 1.25, Ss, 2-123  
 Stud, Ball, .39d .31-16, Gasspring, 2-15  
 Stud, M05-0.8 [Gm1.6l Lp 2010], 2-41, 6-30  
 Stud, M10 X 1.50 [35], 2-67, 2-71, 2-73  
 Stud, M10-1.25 X 50, Full Thrd [Mit], 6-25  
 Stud, M8-1.25 X 30 [Mit Double End], 6-15  
 Stud, M8-1.25 X 35 [Mit Double End], 6-15  
 Stud, M8-1.25 X 40 [Mit], 6-16  
 Stud, M8-1.25 X 50 Full Thrd [Mit], 6-15  
 Stud, Manifold, Intake, M8 X 28, 6-16  
 Stud, Manifold, M8 X 28, 5-9  
 Stud, Manifold, M8 X 96, 5-9

Stud, Starter, M08 X 1.25, 5-5  
 Stud, Wheel, .50-20 X 1.50l, 0.370th, 2-91  
 Switch Assy, Press, 3.0, 19.5l Tube, 3-5  
 Switch Kit, Pump, Repair,, 4-27  
 Switch, Ignition [Ku], 2-13  
 Switch, Indicator, Oil Press, 2-23, 5-7  
 Switch, Indicator, Oil Press [2010], 2-23, 5-7  
 Switch, Press, 0006psi Dpdt, 2-23  
 Switch, Press, 10psi, Spst, 3-19  
 Switch, Press, 12vdc 08a Spst Nc 0070psi, 2-53  
 Switch, Press, 50 Psi, Pm02, 3-39  
 Switch, Press, Adj [4-16 In Wtr], 2-107  
 Switch, Press, Spdt 0008psi, 2-107  
 Switch, Pressure, Oil, 6-12  
 Switch, Rocker, Dpdt Mom/Off/Mom, 2-13  
 Switch, Rocker, Dpdt On/None/On, 3-63  
 Switch, Rocker, Dpdt On/Off/On, 2-13  
 Switch, Rocker, Spst, Mom, 3-37  
 Switch, Seat, No [Delta 6440-04], 2-15  
 Switch, Snap, 15a No, Rlr, 2-101  
 Switch, Temp [160F], 2-105  
 Switch, Temp, Sealed, Nc, 2-105  
 Switch, Thermal, 160Deg, Spdt (Replaced by 9003444), 2-105

**T**

Tank Kit, Soltn, W/ Bracket, Replmt, 2-135  
 Tank, Coolant, 03.30w 4.7hi 04.7l, 1liter, 2-85  
 Tank, Coolant, 03.6w 04.1hi 05.5l, 1liter, 2-85, 2-87  
 Tank, Coolant, 04.7 03.3 4.7deep, 1liter, 2-77  
 Tank, Detgt, Trimmed, 3-5  
 Tank, Fuel, 11.26Gal, gas, Replmt, 2-49  
 Tank, Fuel, 11.2gal, Gas, Replmt [2007], 2-51  
 Tank, Lpg, 33lb, W/ Gauge [Empty, Liq], 2-53  
 Tank, Recvy, Trimmed, 2-143  
 Tank, Soltn, W/ Label [M20], 2-135  
 Tensioner, 6-9  
 Terminal, Bullet, Mal, .157d, 12ga, 3-49, 3-51, 3-52, 3-53  
 Terminal, Fem, Mp280, Sealed, 18-16ga, 4-27  
 Thermostat, 6-22  
 Thermostat, W/ Hsng And Seal, 5-3  
 Thrust Bearing, 4-8  
 Thurst, Case, 6-5  
 Tie, Cable, 6.0l, 1.25d Max, 3-52, 3-53  
 Tie, Cable, 11.3l, 2.75d Max, 3-19  
 Tie, Cable, Nyl, 07.3l .19w 1.8 Max D, 2-13, 2-29, 2-31, 2-81, 2-91, 2-115, 3-19, 3-39, 3-52, 3-53  
 Tie, Cable, Nyl, 14.5l .30w 4.0 Max D, 4-29  
 Tie, Cable, Nyl, 15.3l . W 4.5 Max D, 3-19, 3-25, 3-33

## CROSS REFERENCE

- Tie, Cable, Nyl, 15.3L . W 4.5 Max D, 2-105
- Tire Assy, Solid, 18.0x6.0 4.5bc/5bolt, 1-2
- Tire, Drive, Scrbr, Non-Skid, 18.0X6.0, 2-91
- Tire, Drive, Scrbr, Pu, Grey, 18.0X6.0 (Optional Polyurethane), 2-91
- Tire, Idler, Scrbr, Blk, 16.0X3.5, 2-93
- Tire, Idler, Scrbr, Non-Skid, 16.0x3.5 (Optional), 2-93
- Tire, Idler, Scrbr, Pu, Grey, 16.0X3.5 (Optional Polyurethane), 2-93
- Tower, Wldt, Lift, Lh, Replmt [M20], 2-7
- Tower, Wldt, Lift, Rh, Replmt [M20], 2-7
- Tray Wldt, Fuel, 2-49, 2-51
- Tray Wldt, Lpg, 2-53
- Tray Wldt, Perma-filter (Replaced By none), 2-105
- Tray, Perma-Filter, 2-105
- Tread, Non-Skid, 01.9w 08.0l, 2-7
- Tread, Non-Skid, 02.2w 11.5l, 3-13
- Tread, Non-Skid, 03.0w 11.6l, 2-7, 2-9, 2-97
- Tube [Pcv], 5-3
- Tube Assy, Plug, Drain, 2-143
- Tube Kit, Hyd, Case Drain [M20/T20], 2-115
- Tube Kit, Tank, Recvy, Replmt, 2-145
- Tube Kit, Tank, Soltn, Replmt, 2-139
- Tube Wldt, Arm, Safety, 2-101
- Tube Wldt, Exhaust, 1.6d, 2 Flng, 2-73
- Tube Wldt, Exhaust, Gas/Lpg, 2-71
- Tube Wldt, Leg, Ohg, Lh, Pntd, 3-55
- Tube Wldt, Leg, Ohg, Rh, Pntd, 3-55
- Tube Wldt, Plug, Drain, 2-143
- Tube Wldt, Tee, 2-55, 2-57, 2-61, 2-63
- Tube Wldt, Tee [Mit 2013], 2-59, 2-65
- Tube Wldt, Torque, 2-117
- Tube, 0.50d 0.32b 00.4l, Ss, 2-139, 2-145
- Tube, 00.38d 00.26b 00.3l Stl Plt, 2-97
- Tube, 00.50d 00.38b 00.6l Stl, 2-99
- Tube, 2.90id 3.00od 02.4l, Ss, 2-139, 2-145
- Tube, Acrylic, Hose, Pinch, 2-145
- Tube, Air Bleed, .62d 2.2l .12npt Alm, 2-29, 2-38
- Tube, Bleed, Air, .62od 2.2l .12npt, Alm, 2-31, 2-45
- Tube, Coolant, 1.3d, Lower, 2-85
- Tube, Coolant, 1.3d, Lower [Mit 2013], 2-87
- Tube, Coolant, Lower, 1.3d, 2-77
- Tube, Cooling, Line [Mit], 6-23, 6-26
- Tube, Distribution, Water, 2-141
- Tube, Ds, 5-8
- Tube, Exhaust, 1.5d, 2-71
- Tube, Exhaust, Flng, 1.5d [M20/T20 2007], 2-73, 2-75
- Tube, Hyd, 08 Jf08/Jf08, 3-15
- Tube, Hyd, 08 Jf08/Jm08, 2-113
- Tube, Hyd, Brush Return, W/ Cd [M20/T20], 2-115
- Tube, Hyd, Main Return, 2-167
- Tube, Hyd, Main Return [G/Lp Mit2013], 2-167
- Tube, Hyd, Rear Sqge [M20], 2-167
- Tube, Hyd, Sqge, 2-167
- Tube, Hyd, Swp, 2-171
- Tube, Pump, Water, 6-22
- Tube, Pvc, Clr, 4.0l [Shc80], 3-23, 3-25
- Tube, Rnd, 1.75d 0.77b 01.1l, Stl, Pntd, 2-91
- Tube, Transition, Casting, 2-149
- Tube, Vacuum, 2-107
- Tube, Vinyl, Pump, Water, 4-3
- Tube, Wand, Vacuum, Metal, 3-61
- Tube, Wand, Vacuum, Metal [1pick=1box], 3-59
- Tube, Water, Line [Mit], 6-22
- Tubing Connctr.Kit, Gorman Pmp, 4-26
- Valve, Cntrl, Solenoid, 4-11, 4-21, 4-23
- Valve, Exhaust, 5-3, 6-9
- Valve, Fuelock, Lpg, Wire Connector, 2-37
- Valve, Gasket, Pcv, 6-4
- Valve, Hyd Cartridge 10no/-0, 4-10
- Valve, Hyd, Check, Jm08/Om08 5000psi, 3-15
- Valve, Hyd, Relief, 4-11
- Valve, Hyd, Solenoid 12vdc 3000psi (See Breakdowns), 3-15
- Valve, Hyd, Solenoid, 12vdc, 4-21
- Valve, Hyd, Solenoid, 12vdc (See Breakdowns), 2-173
- Valve, Inlet, 6-9
- Valve, Intake, 5-3
- Valve, Lock Off, 2-45
- Valve, Lock Off [Gm 1.6L 2010], 2-47
- Valve, Lpg, Press Relief [Rego], 2-53
- Valve, Motor, Hyd, 4-5
- Valve, Pcv, 6-4
- Valve, Relief, 4-13, 4-15, 4-17, 4-19, 4-21, 4-23
- Valve, Relief, 0600Psi, 2-173
- Valve, Relief, 3000 Psi, 4-7
- Valve, Relief, 4000 Psi, 4-7
- Valve, Relief, Oil Press, 5-7
- Valve, Seal, Stem, 6-9
- Valve, Shutoff, 3-63
- Valve, Solenoid, 12vdc, Water Flow, 3-25, 3-33
- Valve, Spring, 6-9
- Valve, Spring, Lock, 6-9
- Valve, Spring, Retainer, 6-9
- Valve, Spring, Seat, 6-9
- Valve, Stem, No, 4-13, 4-15, 4-17, 4-19, 4-21, 4-23
- Valve, Trim, Fuel, Normal Flow, 2-38
- Valve, Vent, Air, Float Type, 3-39
- Valve, Water, 12vdc, 6.0mm, 04pf, 3-19
- Valve, Water, Solenoid, 12vdc 0.08pf, 3-3
- Valve, Water, Solenoid, 12vdc 6.0mm Pf04, 3-29
- Video, Oprtr, Dvd [W/Checklist M20], 3-69

### U

Upper Hsg Kit, Pump, Repair,, 4-27

### V

- Valve Assy [Proportional], 4-17, 4-23
- Valve Assy, Relief [Cl], 4-25
- Valve Assy, Water, Solenoid , 12vdc, 2-141
- Valve Assy, Water, Solenoid, 12vdc, 3-13, 3-43
- Valve Kit, Poppet, Gorman Rupp, 4-26
- Valve Stem, N.O.Valve, Hyd, 4-10
- Valve, Ball, 04pf, Chm W/ Handle, 2-49
- Valve, Body, Throttle, Lpg, 2-38
- Valve, By-Pass, Oil Fltr, 5-8
- Valve, Check, 2-37, 4-11, 4-13, 4-15, 4-17, 4-19, 4-21, 4-23
- Valve, Check, 0002psi [FaST li+], 4-30
- Valve, Check, 0002psi Bm04/Bm04, 3-21
- Valve, Check, 0005psi [FaST li+], 4-30
- Valve, Check, 0005psi Bm06/Bm08, 3-29
- Valve, Check, 0005psi Pm04/Bm06, 3-39
- Valve, Check, 2gpm .5psi Bm08/Bm08, 3-43
- Valve, Check, Pump, Water, 4-3
- Valve, Cntrl, Hyd, 4-19
- Valve, Cntrl, Hyd (See Breakdowns), 2-171
- Valve, Cntrl, Hyd [M20 And T20] (Replaced by 1037805), 4-13
- Valve, Cntrl, Hyd [M20 And T20] (See Breakdowns), 3-15
- Valve, Cntrl, Hyd [M20], 4-11
- Valve, Cntrl, Hyd [M20] (See Breakdowns), 2-171
- Valve, Cntrl, Hyd, Solenoid, 03/16gpm, 4-15, 4-17
- Valve, Cntrl, Hyd, Solenoid, 03/16gpm (See Breakdowns), 3-15
- Valve, Cntrl, Hyd, Solenoid, 12vdc 10gpm, 4-23
- Valve, Cntrl, Hyd, Solenoid, 12vdc 10gpm (See Breakdowns), 2-173

### W

- Wand Kit, Vacuum, Ci [M20], 3-59, 3-61
- Wand, Clean-Out, 3-63
- Washer, 6-9, 6-21
- Washer, 1/4 Flat [Mit], 6-27
- Washer, Belleville, .31, 2-99
- Washer, Belt, Balancer, Train, 6-11
- Washer, Bolt, 6-7
- Washer, Flat 3/8, Sae, 6-17
- Washer, Flat, .78b 1.75d .18, Ss, 2-143
- Washer, Flat, #06, 2-77, 2-105
- Washer, Flat, #08, 2-15
- Washer, Flat, #10, 2-15, 2-21, 2-67, 2-89, 2-101, 3-63
- Washer, Flat, #10 Ss, 2-99
- Washer, Flat, #10, Ss, 2-29, 2-37, 3-3, 3-19, 3-25, 3-63, 3-67
- Washer, Flat, 0.25 Fender, 2-149

- Washer, Flat, 0.25 Fendr, 2-15, 2-21  
 Washer, Flat, 0.25 Sae, 2-15, 2-17, 2-29, 2-37, 2-49, 2-55, 2-61, 2-71, 2-77, 2-105, 2-107  
 Washer, Flat, 0.25 Std, 2-23, 2-77, 2-89, 2-95, 2-97, 2-99, 3-19, 3-21  
 Washer, Flat, 0.25, Fendr, 2-78, 2-81, 2-83  
 Washer, Flat, 0.25, Sae, 2-31, 2-33, 2-41, 2-51, 2-73, 2-75, 2-81, 3-37  
 Washer, Flat, 0.25, Ss, 2-105, 2-109, 2-111, 2-119, 2-141, 2-143, 3-65  
 Washer, Flat, 0.25, Std, 2-9, 2-23, 2-31, 2-33, 2-35, 2-41, 2-43, 2-45, 2-75, 2-81, 2-83  
 Washer, Flat, 0.27b 0.69d .05, Ss, 2-5, 2-136, 3-29, 3-37, 3-57, 3-65  
 Washer, Flat, 0.31 Sae, 2-9, 2-15, 2-21, 2-67, 2-99, 2-129, 2-133, 2-135, 2-139, 2-145  
 Washer, Flat, 0.31 Std, 2-169  
 Washer, Flat, 0.31, Hardened, 2-67  
 Washer, Flat, 0.31, Sae, 2-67, 2-69, 2-75  
 Washer, Flat, 0.31, Ss, 2-71, 2-77, 2-105, 2-109, 2-111, 2-119, 2-121, 2-123, 2-125, 2-129, 2-133, 2-139, 2-145, 3-3, 3-7, 3-11  
 Washer, Flat, 0.31, Std, 2-7, 2-9, 2-15, 2-17, 2-19, 2-49, 2-51, 2-53, 2-55, 2-57, 2-59, 2-61, 2-63, 2-65, 2-67, 2-69, 2-73, 2-77, 2-81, 2-83, 2-85, 2-87, 2-91, 2-95, 2-113, 2-115, 2-117, 2-119, 2-139, 2-143, 2-145, 2-167, 2-171, 3-11, 3-13, 3-15, 3-55, 3-65  
 Washer, Flat, 0.32b 1.00d .12, Ss, 2-9, 2-15, 2-21, 2-69, 2-103, 2-109, 2-111, 2-135, 2-139, 2-143, 2-145, 2-147, 2-171, 2-173, 3-5, 3-21, 3-29, 3-37, 3-47, 3-49, 3-51, 3-63  
 Washer, Flat, 0.34b 0.75d .12 [Viton], 3-19  
 Washer, Flat, 0.38 Sae, 2-23, 2-25, 2-27, 2-67, 2-99, 2-117, 2-125, 2-149, 2-165  
 Washer, Flat, 0.38 Std, 2-7, 2-15, 2-49, 2-53, 2-99, 2-107, 2-167, 3-7, 3-9, 3-55, 3-59, 3-67  
 Washer, Flat, 0.38, Hardened, 2-23, 2-45, 2-47  
 Washer, Flat, 0.38, Sae, 2-67, 2-73  
 Washer, Flat, 0.38, Std, 2-73, 2-75, 2-81, 2-83  
 Washer, Flat, 0.38b 0.88d .08, Ss, 2-73, 2-75, 2-85  
 Washer, Flat, 0.38b 1.25d .12, Neo, 2-103, 2-109, 2-111  
 Washer, Flat, 0.40b 1.12d .12, Ss, 2-149  
 Washer, Flat, 0.40b 1.12d .12, Ss, 2-67, 2-77, 2-81, 2-83, 2-105, 2-109, 2-111, 2-125, 2-147, 3-55  
 Washer, Flat, 0.41b 1.25d .12, Pye, 2-15  
 Washer, Flat, 0.44b 1.00d .08, Ss, 2-7, 2-101, 2-121, 3-13  
 Washer, Flat, 0.50 Sae, 2-17, 2-23, 2-25, 2-27, 2-77, 2-93, 3-11  
 Washer, Flat, 0.50 Std, 2-23, 2-25, 2-27  
 Washer, Flat, 0.50, Sae, 2-107  
 Washer, Flat, 0.50, Std, 2-23  
 Washer, Flat, 0.53b 1.88d .12, Stil, Pl, 2-9, 2-23, 2-25, 2-27, 2-121, 2-123  
 Washer, Flat, 0.56b 1.38d .11, Ss, 2-117, 2-121, 2-129, 2-133  
 Washer, Flat, 0.62 Sae, 2-19  
 Washer, Flat, 0.66b 1.00d .12, Rbr, 3-3, 3-63  
 Washer, Flat, 0.69b 1.19d .06, Stil, Pl, 2-125  
 Washer, Flat, 0.75 Sae, 2-91  
 Washer, Flat, 0.76b 1.50d .06, Ss, 2-93  
 Washer, Flat, 0.79b 1.18d .06, Nyl, 2-139, 2-145  
 Washer, Flat, 0.81b 1.06d .06, Stil, 2-77, 2-81, 2-83  
 Washer, Flat, 06, 3-61  
 Washer, Flat, 08, 3-37  
 Washer, Flat, 08, Ss, 4-29  
 Washer, Flat, 1.15b 1.75d .08, Stil, 2-13  
 Washer, Flat, 1.26b 1.88d .13, Stil, 3-13  
 Washer, Flat, 1.26B 1.88D .13, Stil, Pl, 2-7, 2-107  
 Washer, Flat, 1.39b 2.12d .13, Stil, 2-91  
 Washer, Flat, 10, 3-37, 3-47, 3-49, 3-51, 3-52, 3-53  
 Washer, Flat, 10, Ss, 3-29, 3-33, 3-37, 3-43, 3-57  
 Washer, Flat, 2.16b 3.50d .16, Felt, 2-91  
 Washer, Flat, Belleville, .25, 2-129, 2-133  
 Washer, Flat, Belleville, .31, 2-67, 2-69, 2-139, 2-145, 2-147, 3-11  
 Washer, Flat, Belleville, .38, 2-73, 2-99, 2-121, 2-129, 2-133  
 Washer, Flat, Belleville, .50, 2-129, 2-133  
 Washer, Flat, Belleville, M10, 2-103  
 Washer, Flat, M21.0b X 37d X 3, 2-93  
 Washer, Flat, Pump, Hyd, 4-7  
 Washer, Lock, 0.38, 6-17  
 Washer, Lock, Int-Ext, 0.31, 2-119  
 Washer, Lock, Int-Ext, 0.38, 2-67  
 Washer, Lock, Int-Ext, 10, 2-21  
 Washer, Lock, Int, #06, 2-105  
 Washer, Lock, Int, #08, Ss, 2-107  
 Washer, Lock, Int, #10, Ss, 3-19  
 Washer, Lock, Int, 0.25, 3-37  
 Washer, Lock, Int, 0.38, 2-67  
 Washer, Lock, Int, 08, Ss, 4-29  
 Washer, Lock, M12 [Mit], 6-18  
 Washer, Lock, M6 [Mit], 6-28  
 Washer, Lock, M8 [Mit], 6-9, 6-21  
 Washer, Pump, Hyd [En], 4-7  
 Washer, Rbr, 4-3  
 Washer, Sealing, 0.28b 0.75d Ss, Neo, 2-143  
 Washer, Sheave, Cshft, 5-5  
 Washer, Shld, Nyl [8-32], 2-13  
 Washer, Special, 6-10  
 Washer, Spring, 6-13  
 Washer, Sprkt, Camshaft, 5-11  
 Washer, Star, M10 [Mit], 6-25  
 Washer, Strainer, 6-7  
 Washer, Thrust, 0.34b 1.50d .06, 2-139, 2-145  
 Washer, Thrust, 0.61b 1.25d .06, Fgl, 2-125, 2-127, 2-129, 2-131, 2-133, 3-7  
 Washer, Thrust, 1.00b 1.75d 0.13w, Fbr, 3-11  
 Weight, Eccentric, 2-105  
 Wheel, 06.0D 2.00W 1.19B, Gray Rbr, 2-7, 2-107, 3-13  
 Wheel, 3.0d 1.38w 0.50b, 1-1, 2-125  
 Wheel, 4.0d 0.89w 0.64b, 2-123  
 Wheel, Steering, 14.3d 0.81b 36tooth, 2-17  
 Wire Set, Sparkplug [1.6l], 5-12  
 Wire, 16ga 09.6l Brown Mp280/ #10ring, 2-23  
 Wire, Ground, 2-67



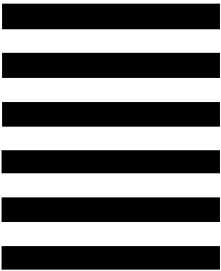




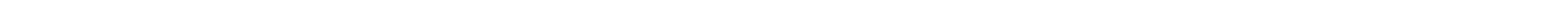
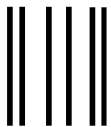
**TENNANT COMPANY**  
 Technical Publications #15  
 701 North Lilac Drive  
 P.O. Box 1452  
 Minneapolis, MN 55440-9947

POSTAGE WILL BE PAID BY ADDRESSEE

**BUSINESS REPLY MAIL**  
 FIRST CLASS MAIL PERMIT NO. 94 MINNEAPOLIS, MN

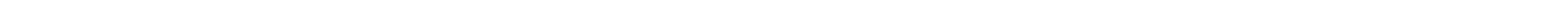


NO POSTAGE  
 NECESSARY  
 IF MAILED  
 IN THE  
 UNITED STATES



Fold along dotted lines

Tape here



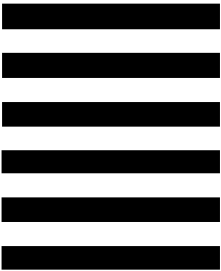




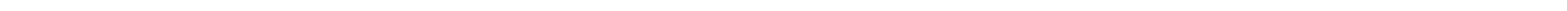
**TENNANT COMPANY**  
 Technical Publications #15  
 701 North Lilac Drive  
 P.O. Box 1452  
 Minneapolis, MN 55440-9947

POSTAGE WILL BE PAID BY ADDRESSEE

**BUSINESS REPLY MAIL**  
 FIRST CLASS MAIL PERMIT NO. 94 MINNEAPOLIS, MN



NO POSTAGE  
 NECESSARY  
 IF MAILED  
 IN THE  
 UNITED STATES



Fold along dotted lines

Tape here

