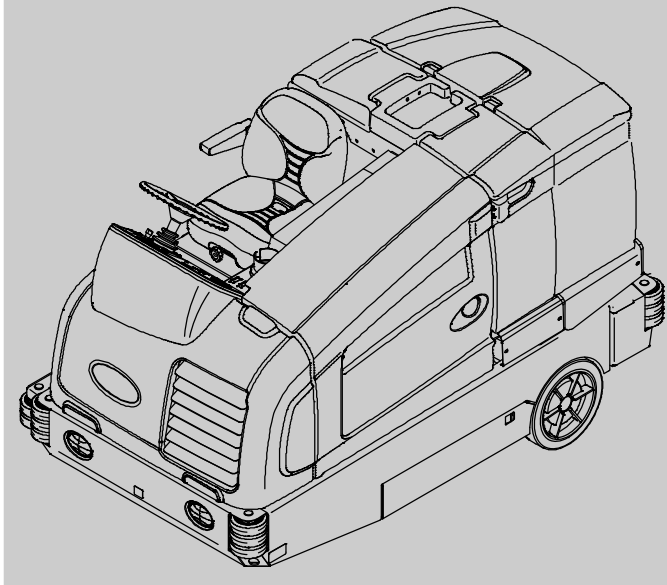
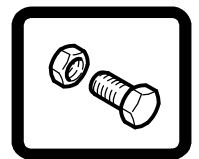




T20

(Gas/LPG)

Rider Scrubber Parts Manual



The Safe Scrubbing Alternative®

ES® Extended Scrub System

Tennant True® Parts

Hygenic® Fully Cleanable Tanks

FloorSmart® Integrated Cleaning System

IRIS® a Tennant Technology



North America / International

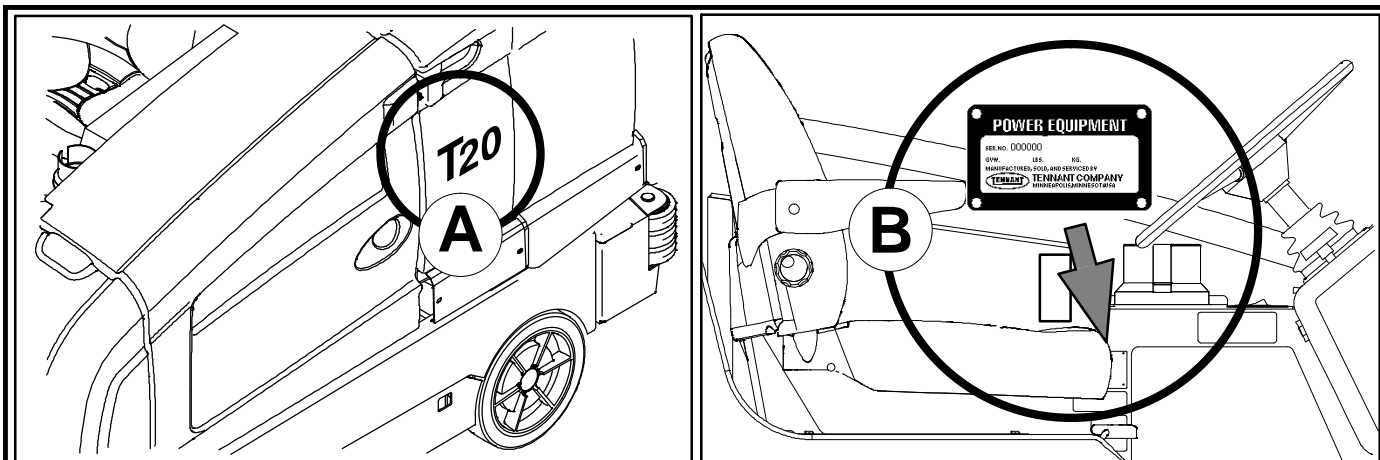


For latest parts manual or other
Operator language manual, visit:

www.tennantco.com/manuals

331471
Rev. 15 (12-2014)





Ref	Part No.	Serial Number	Description	Qty.
1	82681	(000000—)	Bracket Wldt, Lpg Mount	1
2	63810	(000000—)	Latch Assy, Lpg Tank Mtg, W/Nut	4
3	51839	(000000—)	Nut Adjustable, Lpg Tank Mtg	2
4	49263	(000000—)	Tie, Cable	3
5	82556	(000000—001039)	Bracket, Vaporizer	1
6	54930	(000000—)	Vaporizer, LPG	1

HOW TO ORDER PARTS – See diagram above

Only use TENNANT Company supplied or equivalent parts. Parts and supplies may be ordered online, by phone, by fax or by mail.

Follow the steps below to ensure prompt delivery.

1. **(A)** Identify the machine model.
2. **(B)** Identify the machine serial number from the data plate.
3. **(C)** Ensure the proper serial number is used from the parts list.
4. Identify the part number and quantity.
Do not order by page or reference numbers.
5. Provide your name, company name, customer ID number, billing and shipping address, phone number and purchase order number.
6. Provide detail shipping instructions.

(D) ▽ – Identifies an assembly
▲ – Identifies parts included in assembly

Please fill out at time of installation for future reference.

Model No. – _____

Serial No. – _____

Machine Options – _____

Sales Rep. – _____

Sales Rep. phone no. – _____

Customer ID Number – _____

Installation Date – _____

Tennant Company
 PO Box 1452
 Minneapolis, MN 55440
 Phone: (800) 553-8033 or (763) 513-2850
 www.tennantco.com

Thermo-Sentry, Touch-N-Go, 1-STEP, Clean-Wedge, Variable Drain Valve, EasyOpen, Grip-N-Go, MaxPro2, Dura-Track, SmartRelease, InstantAccess, Duramer, FaST-PAK, ErgoSpace and Lower Total Cost of Ownership are trademarks of Tennant Company.

Specifications and parts are subject to change without notice.

Original Information, copyright © 2006 – 2014 TENNANT Company, Printed in U.S.A.

CN	<p>如何订购部件 - 参见下表</p> <p>仅使用 TENNANT 公司提供的或同等部件。部件和供应可以在线订购，通过电话、传真或邮件订购。请遵循下面的步骤确保及时交付。</p> <ol style="list-style-type: none"> 1. (A) 确定机器型号。 2. (B) 从数据标签确定机器序列号。 3. (C) 确保使用部件列表中的正确序列号。 4. 确定部件号和数量。 不要按页面或参考编号订购。 5. 提供您的姓名、公司名称、客户 ID 号、付帐和送货地址、电话号码和采购单编号。 6. 提供详细的送货说明。 <hr/> <p>(D) ▽ - 确定组件 ▲ - 确定组件中包含的组件</p>	<p>请在安装时填写供未来参考。</p> <p>型号 - _____</p> <p>序列号 - _____</p> <p>机器选项 - _____</p> <p>销售代表 - _____</p> <p>销售代表电话号码 - _____</p> <p>客户 ID 编号 - _____</p> <p>安装日期 - _____</p>
-----------	--	--

ES	<p>CÓMO SOLICITAR PIEZAS - Consulte el diagrama anterior.</p> <p>Utilice sólo las piezas suministradas por TENNANT Company o piezas equivalentes. Puede solicitar las piezas a través de internet, por teléfono, por fax o por correo.</p> <p>Siga los siguientes pasos para que la entrega sea rápida.</p> <ol style="list-style-type: none"> 1. (A) Indique el modelo de máquina. 2. (B) Indique el número de serie de la etiqueta de datos. 3. (C) Asegúrese de que indica el número de serie correcto de la lista de piezas. 4. Indique la cantidad y el número de la pieza. No realice el pedido indicando el número de página o el de referencia. 5. Incluya su nombre, el nombre de la empresa, el ID de cliente, las direcciones de envío y facturación, el número de teléfono y el número del pedido de compra. 6. Facilite instrucciones de envío. <hr/> <p>(D) ▽ - identifica un conjunto ▲ - identifica piezas de un conjunto</p>	<p>Rellene estos datos cuando realice la instalación para utilizarlos como referencia en el futuro.</p> <p>Nº modelo - _____</p> <p>Nº serie - _____</p> <p>Opciones de la máquina - _____</p> <p>Vendedor - _____</p> <p>Nº teléfono vendedor - _____</p> <p>Nº cliente - _____</p> <p>Fecha de instalación - _____</p>
-----------	--	---

FR	<p>COMMENT COMMANDER DES PIÈCES DÉTACHÉES - Voir le schéma ci-dessus.</p> <p>Utilisez uniquement des pièces fournies par la société TENNANT ou équivalentes. Les pièces et fournitures peuvent être commandées en ligne, par téléphone, fax, ou par courrier.</p> <p>Suivez les étapes ci-dessous pour assurer une livraison rapide.</p> <ol style="list-style-type: none"> 1. (A) Identifiez le modèle de la machine. 2. (B) Identifiez le numéro de série de la machine, à partir de l'étiquette signalétique. 3. (C) Assurez-vous que le numéro de série correct est utilisé à partir de la liste de pièces détachées. 4. Identifiez le numéro de pièce et la quantité. Ne commandez pas par page ou numéros de référence. 5. Fournissez votre nom, le nom de votre société, votre numéro d'identification de client, l'adresse de facturation et d'expédition, le numéro de téléphone et le numéro du bon de commande. 6. Fournissez des instructions d'expédition détaillées. <hr/> <p>(D) ▽ - identifie un assemblage ▲ - identifie les pièces composant l'assemblage</p>	<p>A remplir au moment de l'installation à titre de référence.</p> <p>Nº du modèle - _____</p> <p>Nº de série - _____</p> <p>Options de la machine - _____</p> <p>Agent commercial - _____</p> <p>Nº tél. de l'agent commercial - _____</p> <p>Numéro d'identification client - _____</p> <p>Date d'installation - _____</p>
-----------	--	---

JP	<p>パーツの発注方法 ? 上記の図を参照してください</p> <p>TENNANT社製のパーツまたは同等品のみをお使いください。パーツやサプライ品のご注文は、オンライン、電話、FAX、または手紙でお願いいたします。確実にお届けできるように、以下の情報お知らせください。</p> <ol style="list-style-type: none"> 1. (A) 製品のモデル名をお知らせください。 2. (B) 製品のデータラベルに印刷されているシリアル番号をお知らせください。 3. (C) パーツリストを参照して、シリアル番号が正しいかご確認ください。 4. パーツ番号と数量をお知らせください。マニュアル/カタログのページ番号や参照番号でのご注文はご遠慮ください。 5. お客様のお名前、会社名、顧客ID番号、請求/発送先住所、電話番号、注文書番号をお知らせください。 6. 発送に関するご希望があれば、明記してください。 <hr/> <p>(D) ▽ - アセンブリを示します ▲ - アセンブリに含まれるパーツを示します</p>	<p>後日確認できるように、設置時に記入してください。</p> <p>モデルNo. - _____</p> <p>シリアルNo. - _____</p> <p>製品のオプション - _____</p> <p>販売代理店 - _____</p> <p>販売代理店の電話番号 - _____</p> <p>顧客ID番号 - _____</p> <p>設置日 - _____</p>
-----------	---	---

GENERAL RECOMMENDED MAINTENANCE

General Recommended Maintenance Items

Ref.	Part No.	Serial Number	Description	Qty.
▽	9002553	(000000-004999)	Maint Kit, Gas, 400hr[M20/T20]	1
▲	372575	(000000-004999)	Sparkplug [Gm]	4
▲	369746	(000000-004999)	Element, Fltr, Air [Dn]	1
▲	372440	(000000-004999)	Filter, Fuel [Gm 1.6l/3.0l]	1
▽	9002554	(000000-002140)	Maint Kit, Lpg, 400hr[M20/T20]	1
▲	372575	(000000-002140)	Sparkplug [Gm]	4
▲	369746	(000000-002140)	Element, Fltr, Air [Dn]	1
▲	372615	(000000-002140)	Filter Kit, Fuelock, Lpg	1
▽	9007382	(002141-004999)	Maint Kit, 400hr [M20/T20/M30 Lpg 2010]	1
▲	372575	(002141-004999)	Sparkplug [Gm, 1pick=1plug]	4
▲	369746	(002141-004999)	Element, Fltr, Air [Dn]	1
▲	9007380	(002141-004999)	Filter Kit, Fuelock, Lpg	1
▽	9002555	(000000-)	Maint Kit, Gas, 800hr[M20/T20]	1
▲	31613	(000000-)	Strainer, Hyd, 25 Gpm 100 Mesh	1
▲	25122	(000000-)	Cap, Breather, Hyd, 2.4 Ds	1
▲	1021579	(000000-)	Filter Assy, Hyd, 10mic	1
▲	372440	(000000-)	Filter, Fuel [Gm 1.6l/3.0l]	1
▽	9002613	(000000-002140)	Maint Kit, Lpg, 800hr[M20/T20]	1
▲	31613	(000000-002140)	Strainer, Hyd, 25 Gpm 100 Mesh	1
▲	25122	(000000-002140)	Cap, Breather, Hyd, 2.4 Ds	1
▲	1021579	(000000-002140)	Filter Assy, Hyd, 10mic	1
▲	372615	(000000-002140)	Filter Kit, Fuelock, Lpg	1
▽	9007381	(002141-)	Maint Kit, 800hr [M20/T20/M30 Lpg 2010]	1
▲	31613	(002141-)	Strainer, Hyd, 025gpm 100mesh 03psi	1
▲	25122	(002141-)	Cap, Breather, Hyd, 2.4 Ds	1
▲	1021579	(002141-)	Filter Assy, Hyd, 10mic	1
▲	9007380	(002141-)	Filter Kit, Fuelock, Lpg	1
	371972	(000000-004999)	Element, Fltr, Oil, Eng, Spin-On (GM)	1
	9010627	(005000-)	Filter, Oil (Mits)	1
	1027290	(000000-)	Filter, Soltn, 20mesh, Pm12 3.1d 02.6l	1
	87866	(000000-)	Key, Ignition [Set Of 2]	1
	10137	(000000-)	Battery, Wet, 12vdc 0475cca	1
	20833	(000000-)	Wheel, 3.0d 1.38w 0.50b	2
	1033644	(000000-)	Belt, Ribbed, 38.5l	1
	1024586	(000000-)	Skirt, Neo, .06, 06.85w 27.95l, 08 Hole	2
	1019295	(000000-)	Skirt, Neo, .18, 10.37w 27.95l, 12 H&S	2
	1020166	(000000-)	Skirt, Neo, .06, 12.00w 45.88l, 07 Hole	1
	1028433	(000000-)	Skirt, Front, Disk Head	1
	1017868	(000000-)	Blade, Sqge, Front [Linard]	1
	1031331	(000000-)	Blade, Sqge, Rear, Linatex	1
	83874	(000000-)	Gasket, Sqge	2
	1031011	(000000-)	Blade, Sqge, 37.08l Linatex	2
	1027719	(000000-)	Blade, Sqge, Front, 49.59l Pyu	1
	1031945	(000000-)	Blade, Sqge, Rear, 53.78L Pyu	1
	1031823	(000000-)	Blade, Sqge, .38 3.55w 038.3l, Ure	2
	9010622	(005000-)	Plug, Spark	4

GENERAL RECOMMENDED MAINTENANCE

NA

General Recommended Maintenance Items

Ref.	Part No.	Serial Number	Description	Qty.
	1027716	(000000-002115)	Squeegee Assy, Sba, Ure	1
	1059091	(002116-	Blade, Sqge, Side Brush, Urethane	1
	1059092	(002116-	Blade, Sqge, Side Brush, Urethane	1
	1025005	(000000-002115)	Squeegee Assy, Sba, Linatex	1
	1046980	(002116-	Blade, Sqge, Side Brush, Linatex	1
	1047238	(002116-	Blade, Sqge, Side Brush, Linatex	1
	84597	(000000-	Tire Assy, Solid, 18.0x6.0 4.5bc/5bolt	1
	16411	(000000-	Paint, Airdry, Off-White, 12oz	1
	16412	(000000-	Paint, Airdry, Teal, 12oz, Solid	1
	377540	(000000-	Paint, Airdry, Blk, 12oz	1
	377538	(000000-	Paint, Airdry, Gray, 12oz [Enamel]	1
	377537	(000000-	Paint, Airdry, Iron Gray,12oz[Pwdr Coat]	1
	1057710	(000000-	Oil, Hyd [El, Iso 100, 01gal]	1
	1057711	(000000-	Oil, Hyd [El, Iso 100, 05gal]	1
	1069019	(000000-	Oil, Hyd [El, Iso 68, 01gal]	1
	1069020	(000000-	Oil, Hyd [El, Iso 68, 05gal]	1
	1057707	(000000-	Oil, Hyd [El, Iso 32, 01gal]	1
	1057708	(000000-	Oil, Hyd [El, Iso 32, 05gal]	1

SECTION 2

Contents	Page
Fig. 1 – Brushes, Replacement, Scrub Head	2-4
Fig. 2 – Brushes, Replacement, Side Brush	2-6
Fig. 3 – Main Frame Group	2-8
Fig. 4 – Operator Station Group	2-10
Fig. 5 – Operator Station Insulation Group	2-12
Fig. 6 – Instrument Panel Group	2-14
Fig. 7 – Seat Group	2-16
Fig. 8 – Steering Group	2-18
Fig. 9 – Front Cover Group	2-20
Fig. 10 – Engine Cover Group	2-22
GM Engine	Page
Fig. 11 – GM Engine and Mount Group (000000–004999)	2-24
Fig. 12 – GM Engine EFI Group, Gasoline (000000–001499)	2-26
Fig. 13 – GM Engine EFI Group, Gasoline (001500–002140)	2-28
Fig. 14 – GM Engine EFI Group, Gasoline (002141–004999)	2-30
Fig. 15 – GM Engine EFI Group, LPG (000000–001499)	2-32
Fig. 16 – GM Engine EFI Group, LPG (001500–004999)	2-36
Fig. 17 – GM Engine Vaporizer Group, LPG (001500–002140)	2-38
Fig. 18 – GM Engine Vaporizer Group, LPG (002141–004999)	2-40
Fig. 19 – GM Engine Air Cleaner Group, Gasoline (000000–001499)	2-42
Fig. 20 – GM Engine Air Cleaner Group, Gasoline (001500–004999)	2-44
Fig. 21 – GM Engine Air Cleaner Group, LPG (000000–001499)	2-46
Fig. 22 – GM Engine Air Cleaner Group, LPG (001500–004999)	2-48
Fig. 23 – GM Engine Alternator and Fan Group (000000–004999)	2-50
Fig. 24 – GM Engine Muffler Group (000000–001499)	2-52
Fig. 25 – GM Engine Muffler Group (001500–004999)	2-54
Fig. 26 – GM Engine Radiator Group (000000–002092)	2-56
Fig. 27 – GM Engine Radiator and Mount Group (002093–004999)	2-60
Fig. 28 – GM Engine Radiator Hose Group (002093–004999)	2-62
Mitsubishi Engine	Page
Fig. 29 – Mitsubishi Engine and Mount Group, Gas (005000–)	2-64
Fig. 30 – Mitsubishi Engine and Mount Group, LPG (005000–)	2-66

Mitsubishi Engine	Page
Fig. 31 – Mitsubishi Engine EFI Group, Gasoline (005000–)	2-68
Fig. 32 – Mitsubishi Engine EFI Group, LPG (005000–)	2-70
Fig. 33 – Mitsubishi Engine Air Cleaner Group, Gasoline (005000–)	2-72
Fig. 34 – Mitsubishi Engine Air Cleaner Group, LPG (005000–)	2-74
Fig. 35 – Mitsubishi Engine Alternator and Fan Group (005000–)	2-76
Fig. 36 – Mitsubishi Engine Muffler Group (005000–)	2-78
Fig. 37 – Mitsubishi Engine Radiator and Mount Group (005000–)	2-80
Fig. 38 – Mitsubishi Engine Radiator Hose Group (005000–)	2-82
Contents	Page
Fig. 39 – Engine Fuel Tank Group, Gasoline (000000–001499)	2-84
Fig. 40 – Engine Fuel Tank Group, Gasoline (001500–)	2-86
Fig. 41 – Engine Fuel Tank Group, LPG	2-88
Fig. 42 – Battery and Electrical Group	2-90
Fig. 43 – Wheel Group, Front Drive	2-92
Fig. 44 – Wheel Group, Rear	2-94
Fig. 45 – Brake Pedal Linkage Group	2-96
Fig. 46 – Directional Pedal Group	2-98
Fig. 47 – Hydraulic Pump Linkage Group	2-100
Fig. 48 – Cylindrical Scrub Brush Drive Group, Left Side	2-102
Fig. 49 – Cylindrical Scrub Brush Drive Group, Right Side	2-104
Fig. 50 – Cylindrical Scrub Brush Head Lift Group	2-106
Fig. 51 – Cylindrical Brush Head Skirt Group	2-108
Fig. 52 – Disk Scrub Head Drive Motor Group	2-110
Fig. 53 – Disk Scrub Head Lift Group	2-112
Fig. 54 – Rear Squeegee Lift Group	2-114
Fig. 55 – Squeegee Group, Rear	2-116
Fig. 56 – Cylindrical Scrub Head Debris Tray Mount Group	2-118
Fig. 57 – Cylindrical Scrub Head Debris Tray Group	2-120
Fig. 58 – Squeegee Linkage Group, Rear	2-122
Fig. 59 – Cylindrical Scrub Head Squeegee Group, Right Side	2-124
Fig. 60 – Squeegee Lift Group, Right Side	2-126
Fig. 61 – Cylindrical Scrub Head Squeegee Group, Left Side	2-128
Fig. 62 – Squeegee Lift Group, Left Side	2-130
Fig. 63 – Solution Tank Group	2-132
Fig. 64 – Solution Tank Drain Group	2-136

STANDARD PARTS

Contents	Page
Fig. 65 – Solution Control Group, Cylindrical Scrub Head	2-138
Fig. 66 – Solution Control Group, Disk Scrub Head	2-140
Fig. 67 – Recovery Tank Group	2-142
Fig. 68 – Recovery Tank Drain Group	2-144
Fig. 69 – Vacuum Fan Group, Scrubbing (000000–005892)	2-146
Fig. 70 – Vacuum Fan Group, Scrubbing (005893–)	2-148
Fig. 71 – Hydraulic Schematic (000000–001503)	2-150
Fig. 72 – Hydraulic Schematic (001504–002282)	2-152
Fig. 73 – Hydraulic Schematic (002283–)	2-154
Fig. 74 – Hydraulic Hose Group, Steering and Propel	2-156
Fig. 75 – Hydraulic Hose Group, Pump and Vacuum Fan	2-158
Fig. 76 – Hydraulic Hose Group, Cylindrical Brush	2-160
Fig. 77 – Hydraulic Hose Group, Disk Brush	2-162
Fig. 78 – Hydraulic Hose Group, Squeegee Lift	2-164
Fig. 79 – Hydraulic Pumps Group	2-166
Fig. 80 – Hydraulic Cooler and Tubes Group	2-168
Fig. 81 – Hydraulic Reservoir Group	2-170
Fig. 82 – Hydraulic Valve Group	2-172
GM Engine	Page

Fig. 83 – GM Electrical Schematic (000000–001499)	2-174
Fig. 84 – GM Electrical Schematic (001500–001742)	2-178
Fig. 85 – GM Electrical Schematic (001743–004999)	2-182
Fig. 86 – GM Electrical Schematic, Gasoline/LPG Engine Harness (000000–001499)	2-188
Fig. 87 – GM Electrical Schematic, Gas Engine Harness (001500–002140)	2-190
Fig. 88 – GM Electrical Schematic, Gas Engine Harness (002141–004999)	2-192
Fig. 90 – GM Electrical Schematic, LPG Engine Harness (002141–004999)	2-196

Mitsubishi Engine	Page
Fig. 91 – Mitsubishi Electrical Schematic (005000–)	2-198
Fig. 92 – Mitsubishi Electrical Schematic, Gas Engine Harness (005000–)	2-206
Fig. 93 – Mitsubishi Electrical Schematic, LPG Engine Harness (005000–)	2-208

Contents	Page
Fig. 94 – Electrical Wire Harness Group, Main	2-210
Fig. 95 – Electrical Wire Harness Group, Headlight	2-218
Fig. 96 – Electrical Wire Harness Group, Gasoline/LPG Engine	2-219
Fig. 97 – Electrical Wire Harness Group, Gasoline/LPG Engine Adapter Harness without Telemetry	2-224
Fig. 98 – Label Group	2-225

Fig. 1 – Brushes, Replacement, Scrub Head

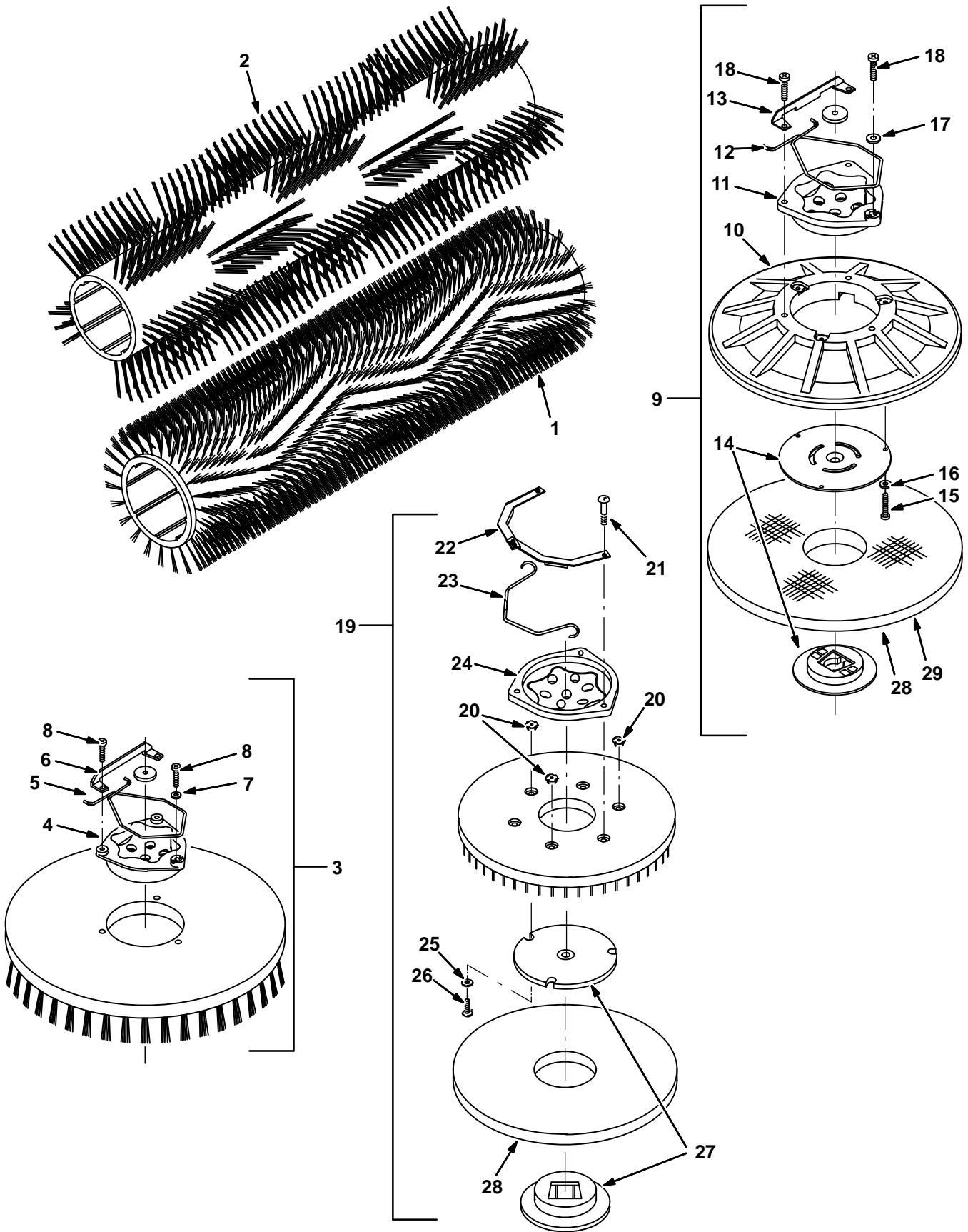


Fig. 1 – Brushes, Replacement, Scrub Head

Ref.	Part No.	Serial Number	Description	Qty.	
1	1026223	(000000–)) Brush, Sweep / Scrub, 40L, Polypropylene	2	
1	1026222	(000000–)) Brush, Sweep / Scrub, 40L, Super Abrasive	2	
1	1027697	(000000–)) Brush, Sweep / Scrub, 40L, Polyester	2	
1	1030969	(000000–)) Brush, Sweep / Scrub, 40L, Heavy Duty Polypropylene	2	
2	1040524	(000000–)) Brush, Sweep / Scrub, 40L, Heavy Duty Polypropylene	2	
2	1059640	(000000–)) Brush, Sweep / Scrub, 40L, Wndw, Super Abrasive	1	
▽	3	222320	(000000–)) Brush Assy, Disk, Scrub, 14.0 D, Polypropylene	3
▲	4	1017368	(000000–)) Hub, Drive, Brush, Disk, 3Hole 5.8Bc	1
▲	5	14838	(000000–)) Spring, Wir, 0.16d, Brush Retaining	1
▲	6	24299	(000000–)) Bracket, Retainer, Spring	1
▲	7	01684	(000000–)) Washer,Flat 0.25, Ss	1
▲	8	32746	(000000–)) Screw, Pan, M6 X 1.0 X 35, Ss	3
▽	3	222321	(000000–)) Brush Assy, Disk, Scrub, 14.0 D, Soft Nylon	3
▲	4	1017368	(000000–)) Hub, Drive, Brush, Disk, 3Hole 5.8Bc	1
▲	5	14838	(000000–)) Spring, Wir, 0.16d, Brush Retaining	1
▲	6	24299	(000000–)) Bracket, Retainer, Spring	1
▲	7	01684	(000000–)) Washer,Flat 0.25, Ss	1
▲	8	32746	(000000–)) Screw, Pan, M6 X 1.0 X 35, Ss	3
▽	3	222322	(000000–)) Brush Assy, Disk, Scrub, 14.0d, Super Abrasive	3
▲	4	1017368	(000000–)) Hub, Drive, Brush, Disk, 3Hole 5.8Bc	1
▲	5	14838	(000000–)) Spring, Wir, 0.16d, Brush Retaining	1
▲	6	24299	(000000–)) Bracket, Retainer, Spring	1
▲	7	01684	(000000–)) Washer,Flat 0.25, Ss	1
▲	8	32746	(000000–)) Screw, Pan, M6 X 1.0 X 35, Ss	3
▽	9	397914	(000000–)) Driver Assy, Pad, 14.0d	3
▲	10	397974	(000000–)) Disk, Driver, Pad, W/ Face, 14.0d	1
▲	11	15539	(000000–)) Hub, Drive, Brush, Disk, 3hole 5.8bc[6t]	1
▲	12	14838	(000000–)) Spring, Wir, 0.16d, Brush Retaining	1
▲	13	24299	(000000–)) Bracket, Retainer, Spring	1
▲	14	370095	(000000–)) Device, Centering, Clip On, TI [Gf Pp]	1
▲	15	09198	(000000–)) Screw, Pan, M4 X 0.7 X 35, Ss	3
▲	16	41579	(000000–)) Washer, Flat, #08, Ss	3
▲	17	01684	(000000–)) Washer,Flat 0.25, Ss	1
▲	18	32746	(000000–)) Screw, Pan, M6 X 1.0 X 35, Ss	3
▽	19	399249	(000000–)) Driver Assy, Pad, 14 D, Brush	3
▲	20	10908	(000000–)) Nut, T, M4 X 0.70	3
▲	21	32747	(000000–)) Screw, Pan, M6 X 1.0 X 40, Ss	3
▲	22	21852	(000000–)) Bracket, Retainer, Spring	2
▲	23	1028905	(000000–)) Spring, Wir, 0.16d, Brush Retaining [T5]	1
▲	24	1017112	(000000–)) Hub, Drive, Brush, Disk, 3hole 5.8bc	1
▲	25	41579	(000000–)) Washer, Flat, #08, Ss	3
▲	26	04403	(000000–)) Screw, Pan, M4 X 0.7 X 25, Ss, NI	3
▲	27	370095	(000000–)) Device, Centering, Clip On, TI [Gf Pp]	1
	28	222324	(000000–)) Pad, Polish, 14.0d, White [1pad=1pc]	3
	28	222325	(000000–)) Pad, Buff, 14.0d, Red	3
	28	222326	(000000–)) Pad, Scb, 14.0d, Blu [1pad=1pc]	3
	28	222327	(000000–)) Pad, Stripping, 14.0d, Brown [1pad=1pc]	3
	28	1051026	(000000–)) Pad, Surf Prep, 14.0D Maroon, [1PICK=1PAD]	3
	29	370091	(000000–)) Pad, High Productivity Stripping, 14.0d, Blk	3

Fig. 2 – Brushes, Replacement, Side Brush

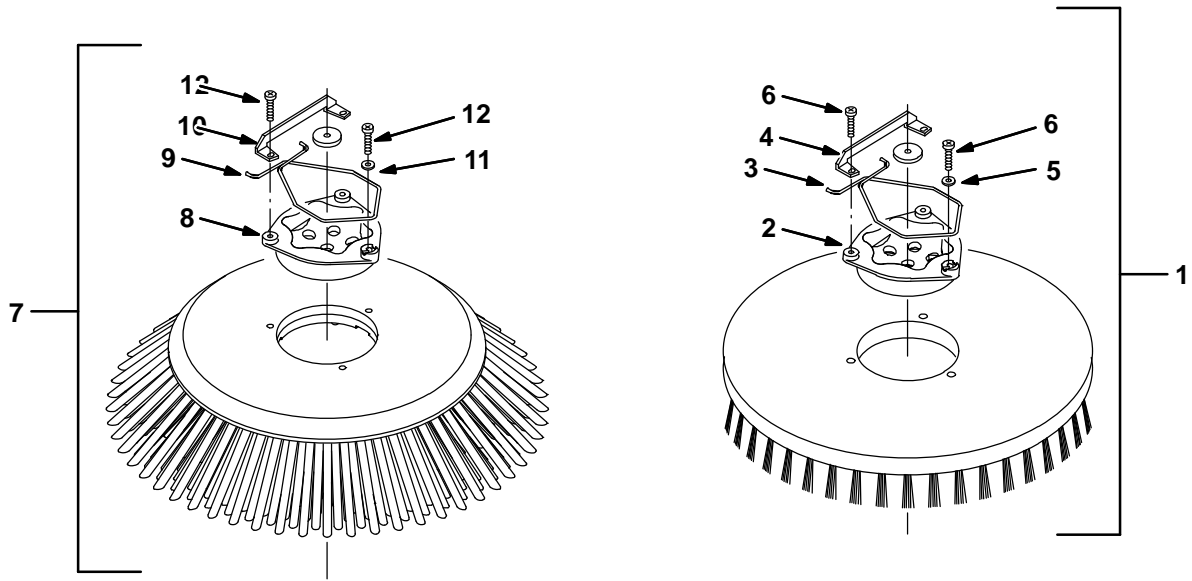


Fig. 2 – Brushes, Replacement, Side Brush

Ref.	Part No.	Serial Number	Description	Qty.
▽	1	1042500	(000000–) Brush Assy, Disk, Scrub, 16.0 D, Heavy Duty Polypropylene	1
▲	2	1017368	(000000–) Hub, Drive, Brush, Disk, 3hole 5.8bc	1
▲	3	14838	(000000–) Spring, Wir, 0.16d, Brush Retaining	1
▲	4	24299	(000000–) Bracket, Retainer, Spring	1
▲	5	01684	(000000–) Washer, Flat, 0.27b 0.69d .05, Ss	1
▲	6	32746	(000000–) Screw, Pan, Phl, M6 X 1.00 X 35, Ss	3
▽	1	1042504	(000000–) Brush Assy, Disk, Scrub, 16.0 D, Super Abrasive	1
▲	2	1017368	(000000–) Hub, Drive, Brush, Disk, 3hole 5.8bc	1
▲	3	14838	(000000–) Spring, Wir, 0.16d, Brush Retaining	1
▲	4	24299	(000000–) Bracket, Retainer, Spring	1
▲	5	01684	(000000–) Washer, Flat, 0.27b 0.69d .05, Ss	1
▲	6	32746	(000000–) Screw, Pan, Phl, M6 X 1.00 X 35, Ss	3
▽	1	1042499	(000000–) Brush Assy, Disk, Scrub, 16.0D, Nylon	1
▲	2	1017368	(000000–) Hub, Drive, Brush, Disk, 3hole 5.8bc	1
▲	3	14838	(000000–) Spring, Wir, 0.16d, Brush Retaining	1
▲	4	24299	(000000–) Bracket, Retainer, Spring	1
▲	5	01684	(000000–) Washer, Flat, 0.27b 0.69d .05, Ss	1
▲	6	32746	(000000–) Screw, Pan, Phl, M6 X 1.00 X 35, Ss	3
▽	7	1027688	(000000–) Brush Assy, Disk, Sweep, 24.oD, Polypropylene	1
▲	8	15539	(000000–) Hub, Drive, Brush, Disk, 3hole 5.8bc[6t]	1
▲	9	14838	(000000–) Spring, Wir, 0.16d, Brush Retaining	1
▲	10	24299	(000000–) Bracket, Retainer, Spring	1
▲	11	01684	(000000–) Washer, Flat, 0.25, Ss	1
▲	12	32746	(000000–) Screw, Pan, M6 X 1.0 X 35, Ss	3

Fig. 3 – Main Frame Group

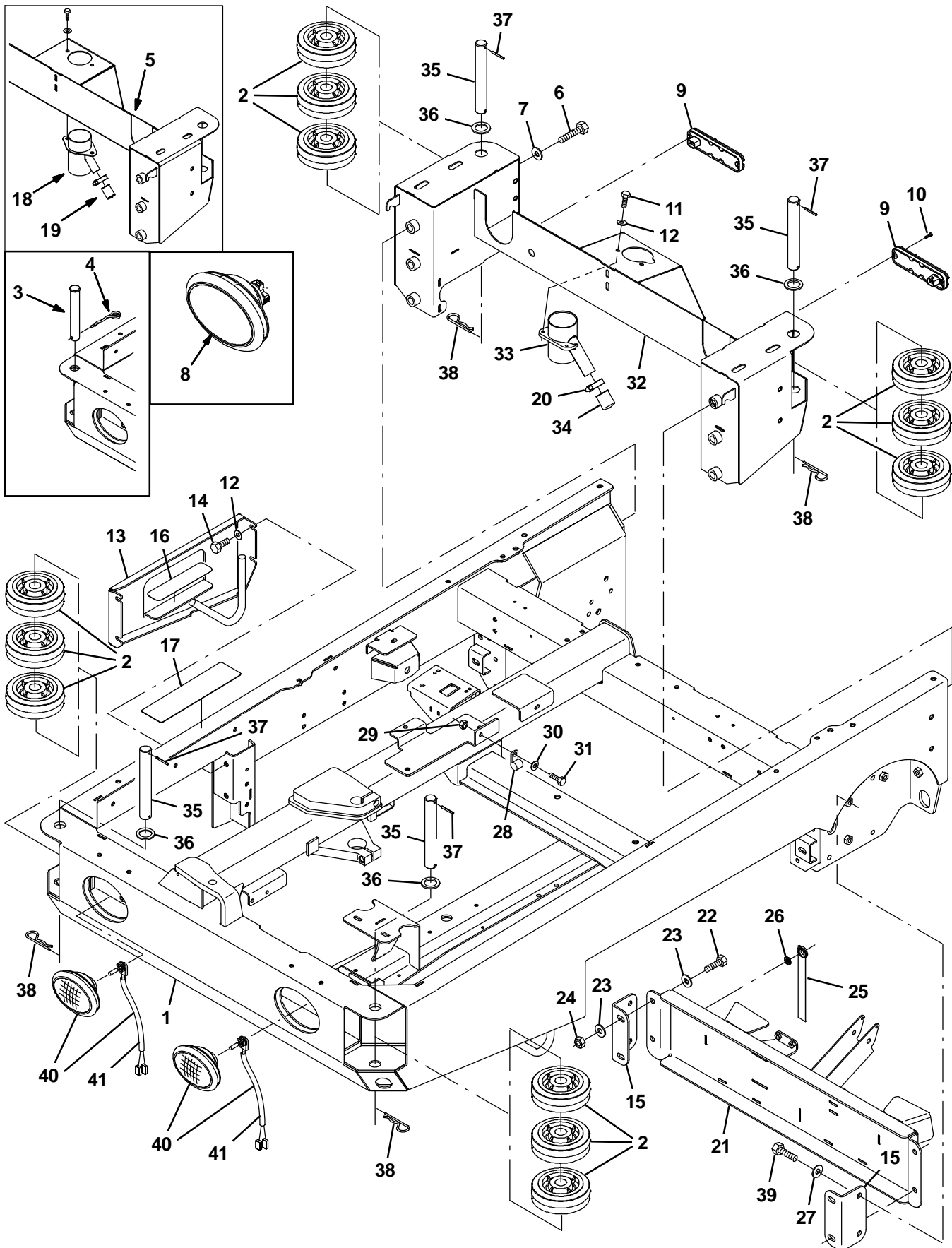


Fig. 3 – Main Frame Group

Ref.	Part No.	Serial Number	Description	Qty.	
1	9002401	(000000–)	Frame Wldt, Main, Replmt [M20 & T20]	1	
2	1060130	(000000–)	Wheel, 06.0D 2.00W 1.19B, Gray Rbr	6	
3	9006334	(000000–002102)	Pin Kit, Wheel, Ci [M20/T20/M30]	4	
4	761490	(000000–002102)	Pin, Cotter, Hair, Dbl	4	
5	1026150	(000000–001720)	Bumper Wldt, Rear (Replaced by 9003679)	1	
6	06971	(000000–)	Screw, Hex, M12 X 1.75 X 50, 8.8	6	
7	32493	(000000–)	Washer, Flat, 0.50, Std	6	
▽	8	1019225	(000000–002352)	Headlight, 12vdc, 27watt, 2.1a, Oval (Rpl by 1060942)	2
▲		1031826	(000000–002352)	Lamp, 12vdc [Speaker]	1
▲		1031827	(000000–002352)	Receptacle, Lamp [Speaker]	1
9	1018208	(000000–)	Light, Tail, 12vdc	2	
10	06928	(000000–)	Screw, Pan, M4 X 0.70 X 20, 4.8	4	
11	09740	(000000–)	Screw, Hex, M8 X 1.25 X 20, Ss	2	
12	01686	(000000–)	Washer, Flat, 0.44b 1.00d .08, Ss	6	
13	1027916	(000000–)	Panel Wldt, Filler	1	
14	12317	(000000–)	Screw, Hex, M10 X 1.5 X 30, Ss	4	
15	1025254	(000000–)	Bracket, Mtg, Sqge, Disk Head (Disk Scrub Head)	2	
16	363458	(000000–)	Tread, Non–Skid, 01.9w 08.0l	1	
17	58819	(000000–)	Tread, Non–Skid, 03.0w 11.6l	1	
18	1027347	(000000–001720)	Coupling, Hose	1	
19	1028253	(000000–001720)	Grip, Handle, 1.0d 1.5l Blk (Disk Scrub Head)	1	
20	11399	(000000–)	Clamp, Hose, Wormdrive, 0.81–1.50d, .50w (Disk Scrub Head)	1	
21	1027269	(000000–)	Crossmember Wldt, Sqge (Disk Scrub Head)	1	
22	77347	(000000–)	Screw, Hex, M10 X 1.5 X 35, Ss (Disk Scrub Head)	4	
23	32492	(000000–)	Washer, Flat, 0.38, Std (Disk Scrub Head)	8	
24	08714	(000000–)	Nut, Hex, Lock, M10 X 1.5, NI, Ss (Disk Scrub Head)	4	
25	71579	(000000–)	Strap, Static, W/Grommet, .19 1.1w 25.0l (Disk Scrub Head)	1	
26	41141	(000000–)	Washer, Lock, Int–Ext, 0.31 (Disk Scrub Head)	1	
27	32493	(000000–)	Washer, Flat, 0.50, Std (Disk Scrub Head)	4	
28	53466	(001036–)	Clamp, Cable, Stl, 1.50d X 1.00w, 1hole	1	
29	08709	(001036–)	Nut, Hex, Lock, M8 X 1.25, NI	1	
30	32491	(001036–)	Washer, Flat, 0.31, Std	1	
31	39277	(001036–)	Screw, Hex, M8 X 1.25 X 25, 8.8	1	
32	1039091	(001721–)	Bumper Wldt, Rear	1	
33	1036240	(001721–)	Tube, Vacuum	1	
34	1038498	(001721–)	Grip, Handle, 1.25D 1.50L Blk	1	
35	23146	(002103–)	Pin, Roll, .187d X 1.62l, .187/.192	4	
36	1062566	(002103–)	Washer, Flat, 1.26B 1.88D .13, Stl, PI	4	
37	1053838	(002103–)	Pin, 30mmd X 215mml	4	
38	34411	(002103–)	Pin, Cotter, Hair, 1.00d .178 Wir	4	
39	12309	(000000–)	Screw, Hex, M12 X 1.75 X 30, Ss	4	
▽	40	1060942	(002353–)	Headlight, 12Vdc, Oval, Halogen	2
▲	41	9007513	(002353–)	Lamp, Halogen [Speaker]	1

Fig. 4 – Operator Station Group

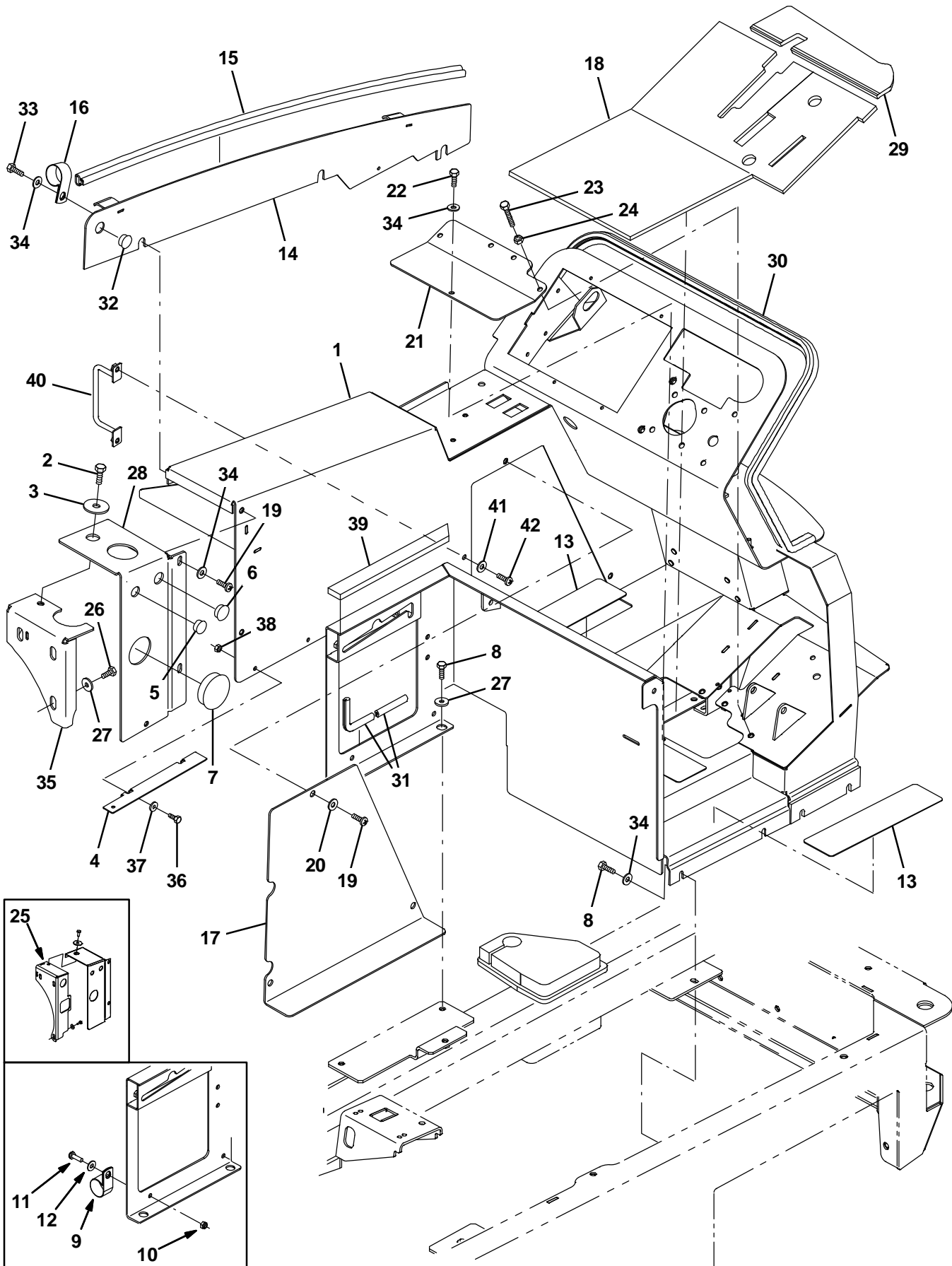


Fig. 4 – Operator Station Group

Ref.	Part No.	Serial Number	Description	Qty.
1	9002409	(000000–)	Panel Wldt, Gas, Replmt	1
1	9002380	(000000–)	Panel Wldt, Gas, Replmt [W/Fast]	1
1	9002381	(000000–)	Panel Wldt, Gas, W/ Es, Replmt	1
1	9003422	(000000–)	Panel Wldt, Gas, Replmt, TJ (Japan only)	1
1	9003425	(000000–)	Panel Wldt, Gas, Replmt, TJ [W/Fast] (Japan only)	1
1	9003428	(000000–)	Panel Wldt, Gas, Replmt, TJ, W/Es (Japan only)	1
1	9003431	(000000–)	Panel Wldt, LPG, Replmt	1
1	9003432	(000000–)	Panel Wldt, LPG, Replmt [W/Fast]	1
1	9003433	(000000–)	Panel Wldt, LPG, Replmt, W/Es	1
1	9003423	(000000–)	Panel Wldt, LPG, Replmt, TJ (Japan only)	1
1	9003426	(000000–)	Panel Wldt, LPG, Replmt, TJ [W/Fast] (Japan only)	1
1	9003429	(000000–)	Panel Wldt, LPG, Replmt, TJ, W/Es (Japan only)	1
2	39283	(000000–)	Screw, Hex, M10 X 1.5 X 25, 8.8	1
3	04414	(000000–)	Washer, Flat, 0.53b 1.88d .12, Stl, PI	1
4	1047169	(000000–)	Bracket, Mtg, Insulation	2
5	82727	(000000–)	Plug, Hole, Rnd, 0.88h .03–.12, Blk Nyl	1
6	01493	(000000–)	Plug, Hole, Rnd, 1.00h .03–.12, Blk Nyl	1
7	1030017	(000000–)	Plug, Hole, Rnd, 2.50h .03–.25, Blk Nyl	1
8	16931	(000000–)	Screw, Hex, M8 X 1.25 X 20, 8.8	8
9	70157	(000000–001035)	Clamp, Cable, Ss, 2.50d X 1.00w, 1h	1
10	08709	(000000–001035)	Nut, Hex, Lock, M8 X 1.25, NI	2
11	39277	(000000–001035)	Screw, Hex, M8 X 1.25 X 25, 8.8	7
12	32491	(000000–001035)	Washer, Flat, 0.31, Std	18
13	58819	(000000–)	Tread, Non–Skid, 03.0w 11.6l	4
14	1025435	(000000–001499)	Panel Wldt, Adj	1
14	1035832	(001500–)	Panel Wldt, Adj [2007]	1
15	1030593	(000000–)	Seal, Afmkt, Bulb, 90, 0.75d F/11ga 08ft	1
16	53466	(000000–)	Clamp, Cable, Stl, 1.50d X 1.00w, 1h	5
17	1021834	(000000–)	Panel, Access, Door	1
18	1027218	(000000–)	Mat, Floor	1
19	1031665	(000000–)	Screw, Pan, M8 X 1.25 X 25, Blk	4
20	39349	(000000–)	Washer, Flat, 0.31 Sae	3
21	1022699	(000000–)	Panel, Access, Floor	1
22	16931	(000000–)	Screw, Hex, M8 X 1.25 X 20, 8.8	4
23	363976	(000000–)	Screw, Hex, M8 X 1.25 X 60, 8.8, FI	1
24	39311	(000000–)	Nut, Hex, Std, M8 X 1.25	1
25	1020540	(000000–001683)	Bracket Wldt, Mtg, Tank	1
26	09740	(000000–)	Screw, Hex, M8 X 1.25 X 20, Ss	3
27	1017218	(000000–)	Washer, Flat, 0.32b 1.00d .12, Ss	5
28	1033975	(000000–)	Bracket, Mtg	1
29	1027267	(000000–)	Mat, Floor	1
30	1020904	(000000–)	Seal, Panl, Instmt	1
31	1020168	(000000–)	Molding, Afmkt, Trim, Pvc, .08 .11, 1ft	1
32	80288	(001500–)	Plug, Hole, Rnd, 0.81h, Blk	1
33	39277	(000000–)	Screw, Hex, M8 X 1.25 X 25, 8.8	6
34	32491	(000000–)	Washer, Flat, 0.31, Std	17
35	1035997	(001684–)	Bracket Wldt, Mtg, Tank	1
36	06942	(000000–)	Screw, Hex, M6 X 1.00 X 16, 8.8	2
37	32490	(000000–)	Washer, Flat, 0.25, Std	2
38	08708	(000000–)	Nut, Hex, Lock, M6 X 1.00, NI	2
39	1047295	(000000–)	Seal, Foam, 0.50	1
40	1071616	(005000–)	Bracket Wldt, Mtg, Hose	1
41	1031665	(005000–)	Screw, Pan, M8 X 1.25 X 25, Blk	2
42	39349	(005000–)	Washer, Flat, 0.31 Sae	2

Fig. 5 – Operator Station Insulation Group

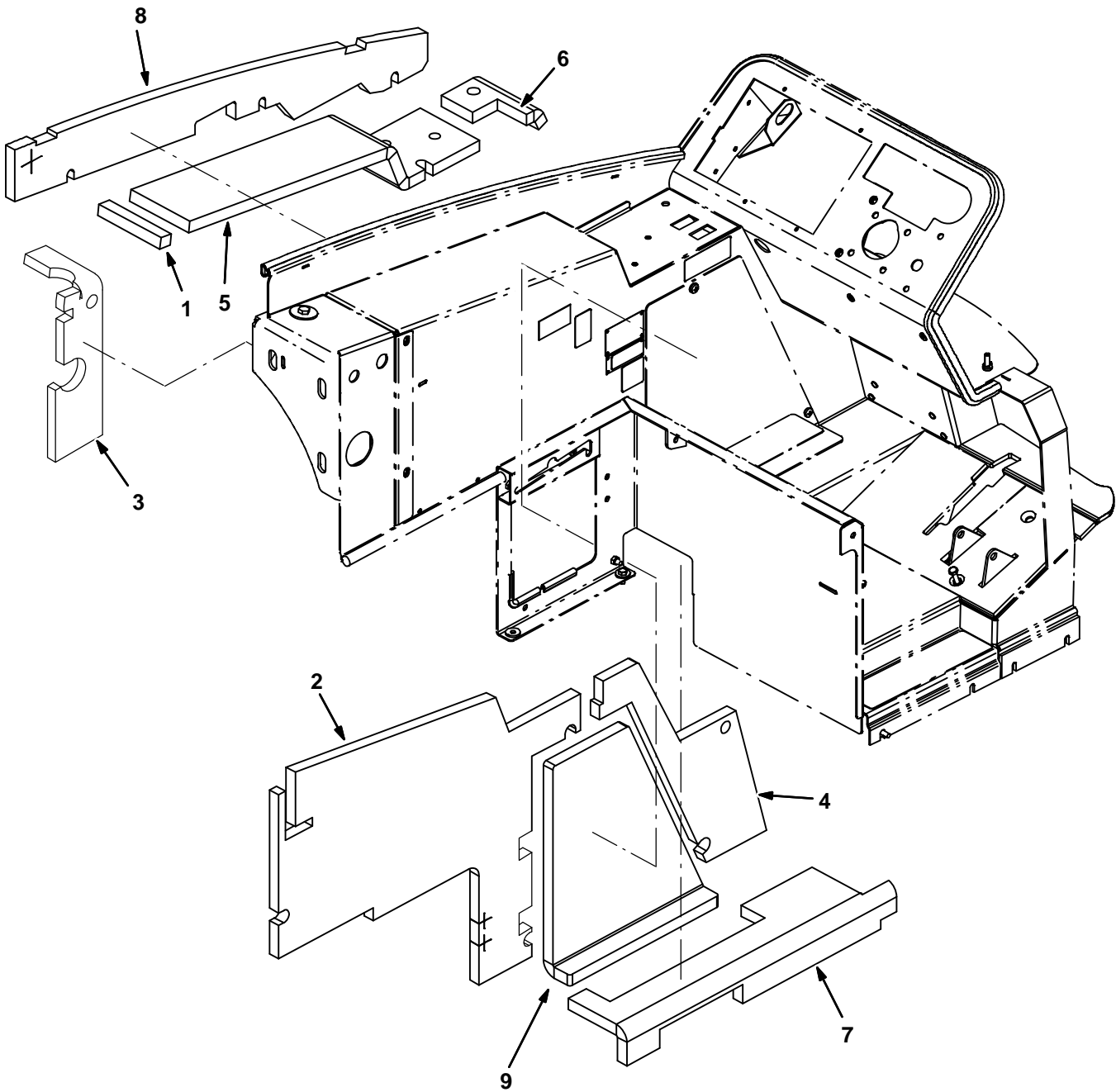


Fig. 5 – Operator Station Insulation Group

Ref.	Part No.	Serial Number	Description	Qty.
1	1034769	(000000–) Insulation, Flame–retardant, 0.75–0.88	1
2	1034765	(000000–) Insulation, Flame–retardant, 0.75–0.88	1
3	1040841	(000000–) Insulation, Flame–Retardant, 0.75–0.88	1
4	1023464	(000000–) Insulation, Flame–Retardant, 0.75–0.88	1
5	1034764	(000000–) Insulation, Flame–retardant, 0.75–0.88	1
6	1034766	(000000–) Insulation, Flame–retardant, 0.75–0.88	1
7	1034768	(000000–) Insulation, Flame–retardant, 0.75–0.88	1
8	1034770	(000000–) Insulation, Flame–retardant, 0.75–0.88	1
9	1023569	(000000–) Insulation, Flame–Retardant, 0.75–0.88	1

Fig. 6 – Instrument Panel Group

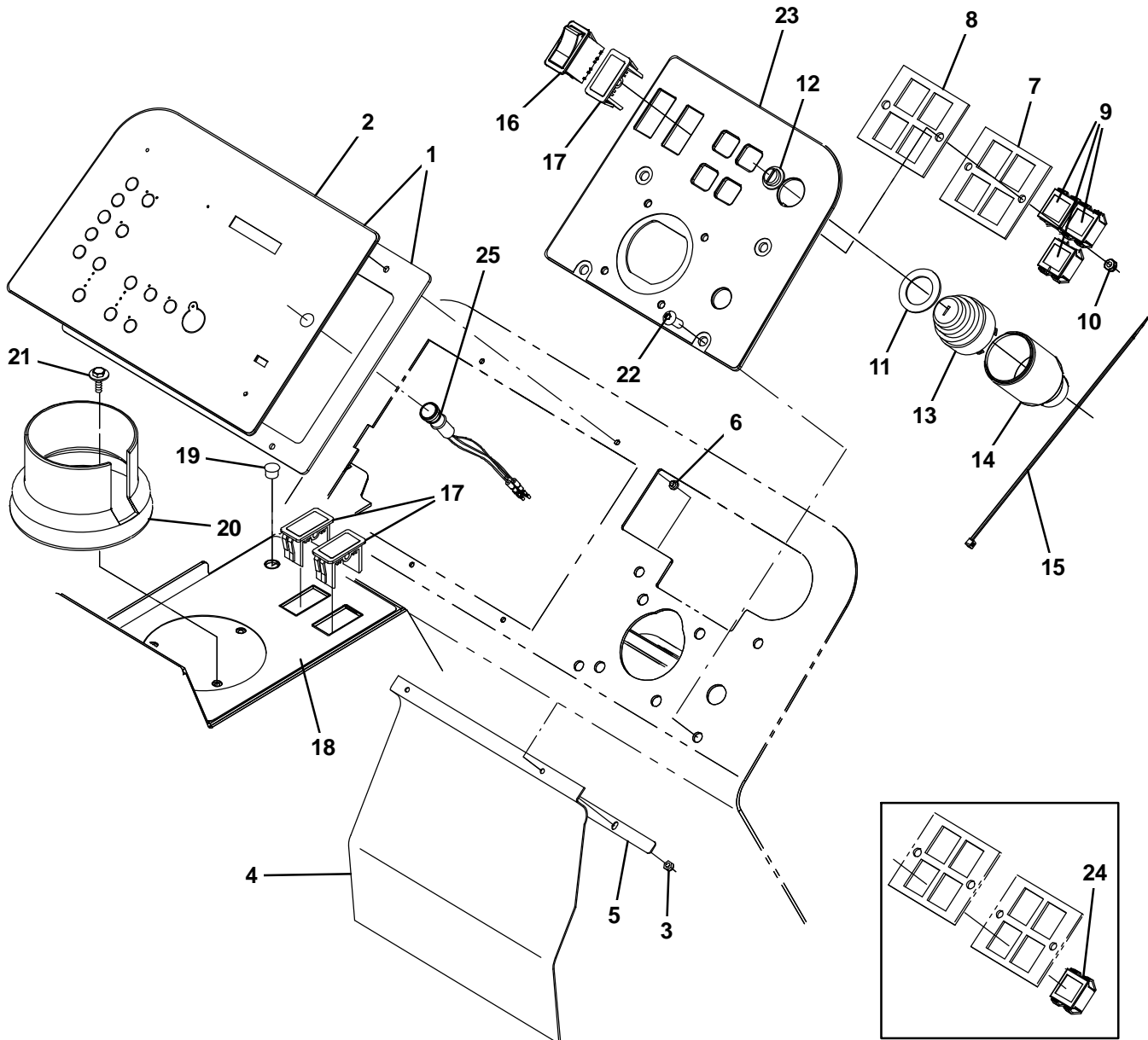


Fig. 6 – Instrument Panel Group

	Ref.	Part No.	Serial Number	Description	Qty.
▽	1	9002436	(000000–)	Panel Kit, Instmt, Replmt [T20]	1
▲	2	9002437	(000000–)	Label Kit, Panel, Replmt [T20]	1
▽	1	9007914	(000000–)	Panel Kit, Instmt, Replmt [T20 ec–H20 only]	1
▲	2	9007915	(000000–)	Label Kit, Panel, Replmt [T20 ec–H20 only]	1
	3	16968	(000000–)	Nut, Hex, Lock, #08–32, NI	4
	4	1028769	(000000–)	Flap, Battery	1
	5	1028772	(000000–)	Bar, Flat, Ss, .06 X .50 X 10.0l 2/.19sl	1
	6	1029362	(000000–)	Washer, Shld, Nyl [8–32]	4
	7	361071	(000000–)	Plate, Mtg, Light	1
	8	361073	(000000–)	Seal, Rbr, Clsd, 0.13, Instmt Panl	1
	9	361075	(000000–)	Light, Panl, 14vdc, , 1.1 X 1.0	3
	10	08712	(000000–)	Nut, Hex, Lock, M6 X 1.0, Ss, NI	2
	11	73736	(000000–)	Washer, Flat, 1.15b 1.75d .08, Stl	1
	12	382516	(000000–)	Boot, .63id .29l .90w	1
▽	13	87536	(000000–)	Switch, Ignition [Ku]	1
▲		87866	(000000–)	Key, Ignition [Set Of 2]	1
	14	383165	(000000–)	Boot, Switch, Ignition	1
	15	49266	(000000–)	Tie, Cable, Nyl, 07.3l .19w 1.8 Max D	2
	16	392171	(000000–)	Switch, Rocker, Dpdt On/Off/On	1
	17	398501	(000000–)	Plug, Hole, Rt, Rocker Switch, .87 X 1.7	3
	18	1027284	(000000–)	Label, Switch, Rocker [T20]	1
	19	56992	(000000–)	Plug, Hole, Rnd, 0.50h .03–.12, Blk Nyl	1
	20	223599	(000000–)	Cup Holder, Rwk	1
	21	1036892	(000000–)	Screw, Hex, M6 X 1.00 X 25, 9.8 Sems	3
	22	1031665	(000000–)	Screw, Pan, M8 X 1.25 X 25, Blk	4
	23	9004880	(000000–)	Panel, Instmt, Rh, Gas, Replmt	1
	23	9002391	(000000–)	Panel, Instmt, Rh, Lpg, Replmt	1
	23	9002392	(000000–)	Panel, Instmt, Rh, Lpg, Replmt, CE/TJ (Japan only)	1
	24	361075	(000000–001997)	Light, Panl, 14vdc, , 1.1 X 1.0	1
	25	1041822	(000000–)	Light, Led, .312D, 2 Volt [Tri–Color] (ec–H20 only)	1

Fig. 7 – Seat Group

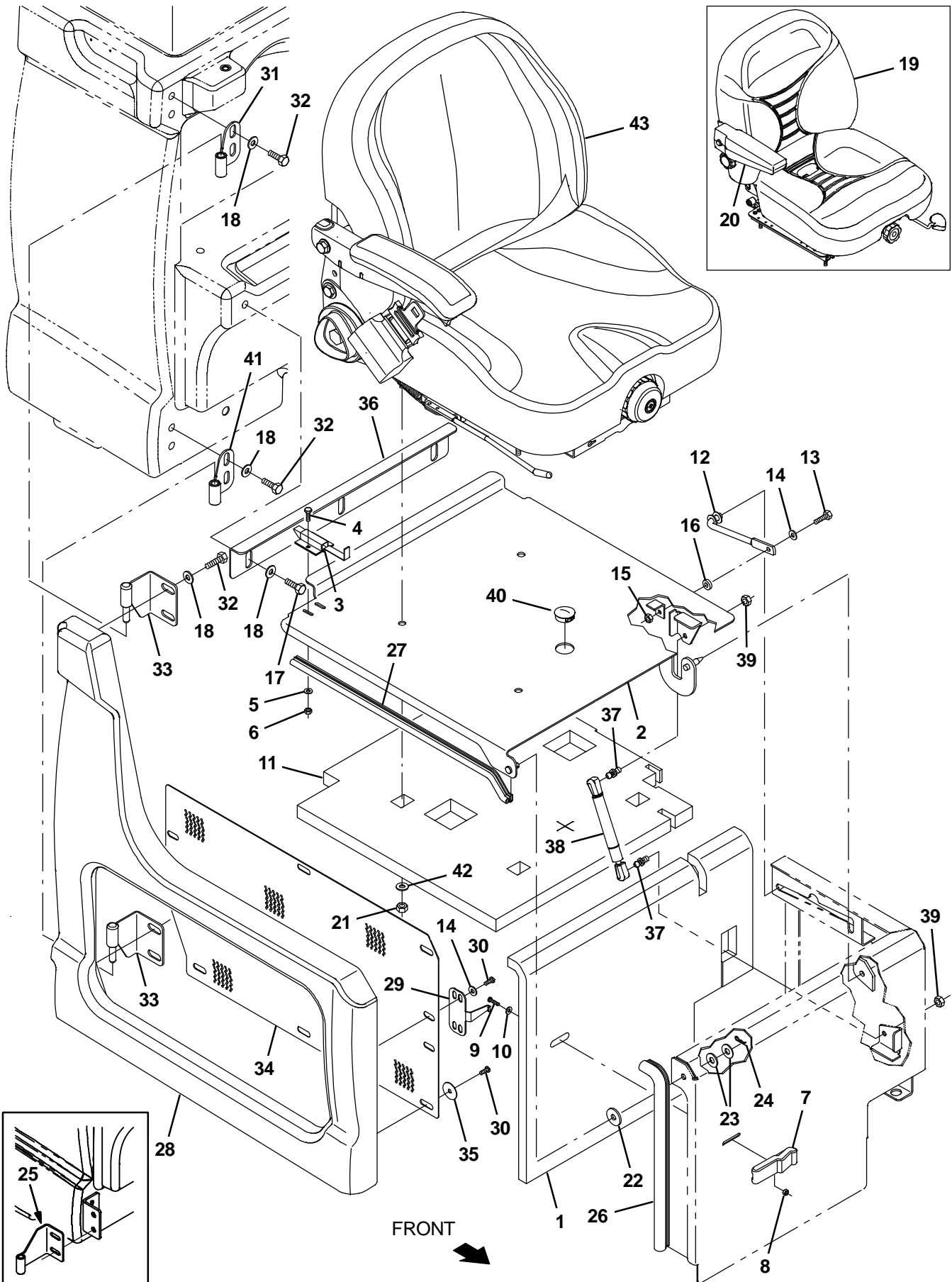


Fig. 7 – Seat Group

Ref.	Part No.	Serial Number	Description	Qty.	
1	1034767	(000000–)	Insulation, Flame-retardant, 0.75–0.88	1	
2	1019228	(000000–)	Plate Wldt, Seat	1	
3	1025736	(000000–)	Latch	1	
4	09252	(000000–)	Screw, Hex, M5 X 0.8 X 20, 8.8	2	
5	19066	(000000–)	Washer, Flat, #10	2	
6	06549	(000000–)	Nut, Hex, Lock, M5 X 0.8, NI	2	
7	49800	(000000–)	Latch	1	
8	02850	(000000–)	Nut, Hex, Lock, M4 X 0.7, NI	4	
9	06929	(000000–)	Screw, Pan, M4 X 0.7 X 25, 4.8	4	
10	19065	(000000–)	Washer, Flat, #08	2	
11	1023499	(000000–)	Insulation, Flame-Retardant, 1.0	1	
12	223080	(000000–)	Arm Wldt, Safety, Sppt, Seat, .38d 06.5d	1	
13	06944	(000000–)	Screw, Hex, M6 X 1.0 X 25, 8.8	1	
14	32483	(000000–)	Washer, Flat, 0.25 Sae	9	
15	08708	(000000–)	Nut, Hex, Lock, M6 X 1.0, NI	1	
16	21851	(000000–)	Spacer, Plstc, Ny	1	
17	09740	(000000–)	Screw, Hex, M8 X 1.25 X 20, Ss	3	
18	1017218	(000000–)	Washer, Flat, 0.32b 1.00d .12, Ss	11	
▽	19	1022105	(000000–005521)	Seat, Suspension, W/1 Arm And Belt	1
▲		1066893	(000000–005521)	Seatbelt, Retractable [Deluxe Seat]	1
▲		1048955	(000000–005521)	Switch, Seat, No [Delta 6440–04]	1
▲	20	1072815	(000000–005521)	Armrest, Rh	1
	21	32983	(000000–)	Nut, Hex, Lock, .31–18, NI	4
	22	364749	(000000–)	Washer, Flat, 0.41b 1.25d .12, Pye	1
	23	32492	(000000–)	Washer, Flat, 0.38 Std	2
	24	08085	(000000–)	Pin, Cotter, Hair, 0.31d .058 Wir	1
	25	1024183	(000000–001004)	Hinge Wldt, Door	1
	26	1030588	(000000–)	Seal, Afmkt, Bulb, 90, 0.75d F/11ga 02ft	1
	27	1031206	(000000–)	Seal, Afmkt, Bulb, 90, 0.50d, 02ft	1
	28	1018776	(000000–)	Shroud, Seat	1
	29	1026825	(000000–)	Bracket, Latch, Shrd, Seat	1
	30	09200	(000000–)	Screw, Pan, M5 X 0.8 X 12, Ss	8
	31	1024464	(000000–)	Hinge Wldt, Shrd, Rh	1
	32	16931	(000000–)	Screw, Hex, M8 X 1.25 X 20, 8.8	10
	33	1024425	(000000–)	Hinge Wldt, Shrd, Rh	2
	34	1025916	(000000–)	Grill, Side	1
	35	41178	(000000–)	Washer, Flat, 0.25 Fendr	6
	36	1020487	(000000–)	Bracket, Seat, Adj	1
	37	58494	(001014–)	Stud, Ball, .39d .31–16, Gasspring	2
	38	368391	(001014–)	Gasspring, 180lb, 03.0strk	1
	39	01760	(001014–)	Nut, Hex, Lock, .31–18, NI, Thin	2
	40	76888	(001998–)	Plug, Hole, Rnd, 1.25H .03–.12, Blk Nyl	1
	41	1024464	(001005–)	Hinge Wldt, Shrd, Rh	1
	42	32491	(000000–)	Washer, Flat, 0.31, Std	4
	43	1072456	(005522–)	Seat (See Breakdowns)	1

Fig. 8 - Steering Group

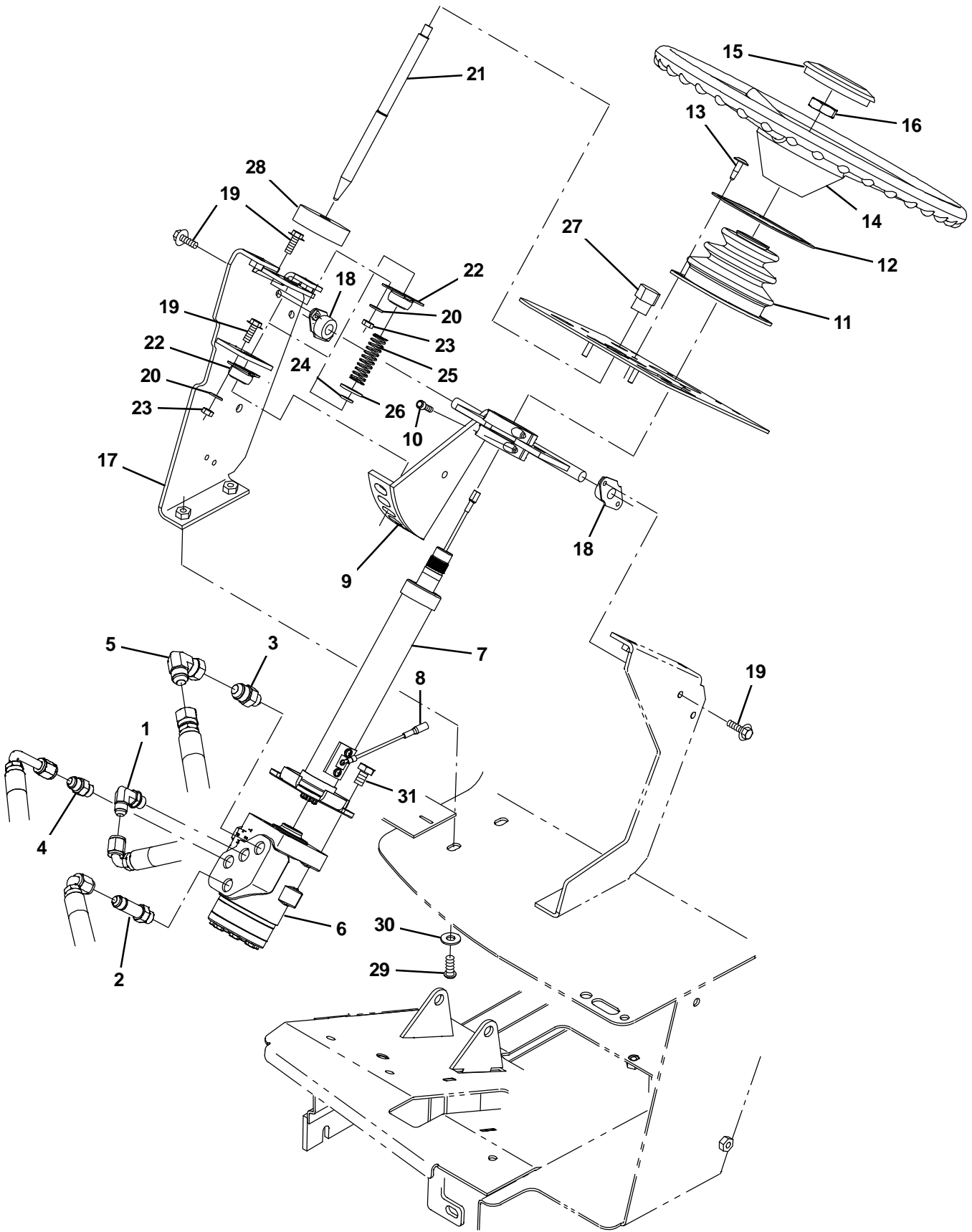


Fig. 8 – Steering Group

Ref.	Part No.	Serial Number	Description	Qty.	
1	56820	(000000–) Fitting, Hyd, E90, Jm06/Om06	1	
2	59577	(000000–) Fitting, Hyd, Str, Jm06/Om06, L	1	
3	56835	(000000–) Fitting, Hyd, Str, Jm08/Om06	1	
4	56690	(000000–) Fitting, Hyd, Str, Jm06/Om06	1	
5	17980	(000000–) Fitting, Hyd, E90, Jf08/Jm08	1	
6	1024260	(000000–) Steer–Control, Hyd#05, 06.1 2030 (See Breakdowns)	1	
▽	7	1021265	(000000–) Column, Steering, 09.9L 0.86D 36Tooth	1
▲	8	388153	(000000–) Contact Kit, W/ Brush [En]	4
▽	9	73027	(000000–) Bracket Wldt, Steering, Tilt	1
▲	10	01681	(000000–) Screw, Soc, .25–20 X 0.75, Al	4
11	70622	(000000–) Boot, Bellows, 3.1l 4.4w 2.8h 1hole, Neo	1	
12	70623	(000000–) Retainer, Boot, Steering Column	1	
13	72970	(000000–) Rivet, Plstc, .250d X 0.898	4	
14	1058996	(000000–) Wheel, Steering, 14.3d 0.81b 36tooth	1	
15	1024478	(000000–) Button, Cntrl, Horn	1	
16	56185	(000000–) Nut, Hex, Jam, M20 X 1.5	1	
17	1024695	(000000–) Bracket Wldt, Tilt, Rh	1	
18	70709	(000000–) Bearing, Flng, 2–Hole, 0.50b	2	
19	1040467	(000000–) Screw, Hex, M6 X 1.00 X 20, 9.8, Sems	8	
20	32483	(000000–) Washer, Flat, 0.25 Sae	4	
21	1023926	(000000–) Pin, Locking, Steering, Tilt	1	
22	47585	(000000–) Bearing, Flng, 2hole, 0.50b [Nyl]	2	
23	08708	(000000–) Nut, Hex, Lock, M6 X 1.0, NI	4	
24	70717	(000000–) Ring, Retaining, Ext, 0.50d, Hd	1	
25	22290	(000000–) Spring, Cmpr, 18.8d, 1.6w, 57.1l	1	
26	32486	(000000–) Washer, Flat, 0.50 Sae	1	
27	04706	(000000–) Knob, Tee, 2.5x1.0 1.1l 0.38–16 Plstc	1	
28	75968	(000000–) Insulation, Acstc, Rnd, 0.8, 02.5d 0.5h	1	
29	1031665	(000000–) Screw, Pan, M8 X 1.25 X 25, Blk	2	
30	32491	(000000–) Washer, Flat, 0.31, Std	2	
31	06960	(000000–) Screw, Hex, M10 X 1.5 X 16, 8.8	4	

Fig. 9 – Front Cover Group

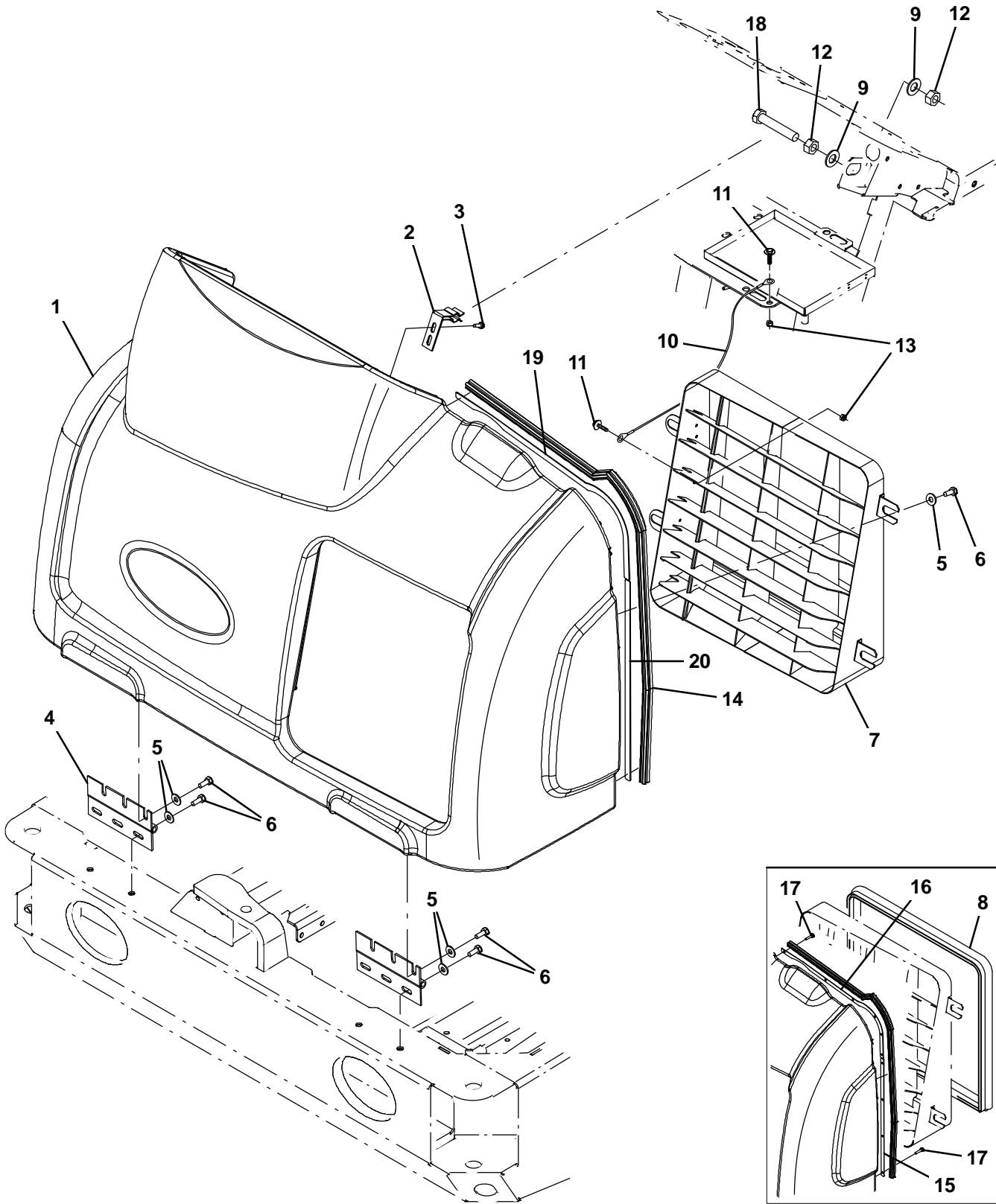


Fig. 9 – Front Cover Group

Ref.	Part No.	Serial Number	Description	Qty.
1	1022069	(000000–) Shroud, Front, Trimmed	1
2	1008916	(000000–) Bracket Wldt, Latch	1
3	06942	(000000–) Screw, Hex, M6 X 1.0 X 16, 8.8	2
4	71941	(000000–) Hinge, .38pin .11 3.5w 06.0l 6/0.38sl	2
5	32491	(000000–) Washer, Flat, 0.31, Std	14
6	16931	(000000–) Screw, Hex, M8 X 1.25 X 20, 8.8	14
7	1035068	(000000–) Grill Wldt, Front	1
8	1031557	(000000–001021) Seal, Afmkt, Bulb, Str, 1.0d F/11ga 08ft	1
9	15331	(000000–) Washer, Flat, 0.62 Sae	2
10	391368	(000000–) Cable, Glv .09d 016.5l .38eye /.38eye	1
11	1040467	(000000–) Screw, Hex, M6 X 1.00 X 20, 9.8, Sems	2
12	07782	(000000–) Nut, Hex, Std, M16 X 2.0	2
13	08708	(000000–) Nut, Hex, Lock, M6 X 1.0, NI	2
14	1049919	(000000–) Seal, Sponge, 0.88 1.00W 43.0L	1
15	1029652	(000000–001512) Plate, Mtg, Seal	1
16	1029545	(000000–001512) Plate, Mtg, Seal	1
17	20394	(000000–001512) Screw, Hex, #10–16 X 0.62, Fmg, [Ab]	10
18	06988	(000000–) Screw, Hex, M16 X 2.0 X 90, 8.8	1
19	1037970	(001513–) Strip Mtg, Seal	1
20	1037971	(001513–) Strip Mtg, Seal	1

Fig. 10 – Engine Cover Group

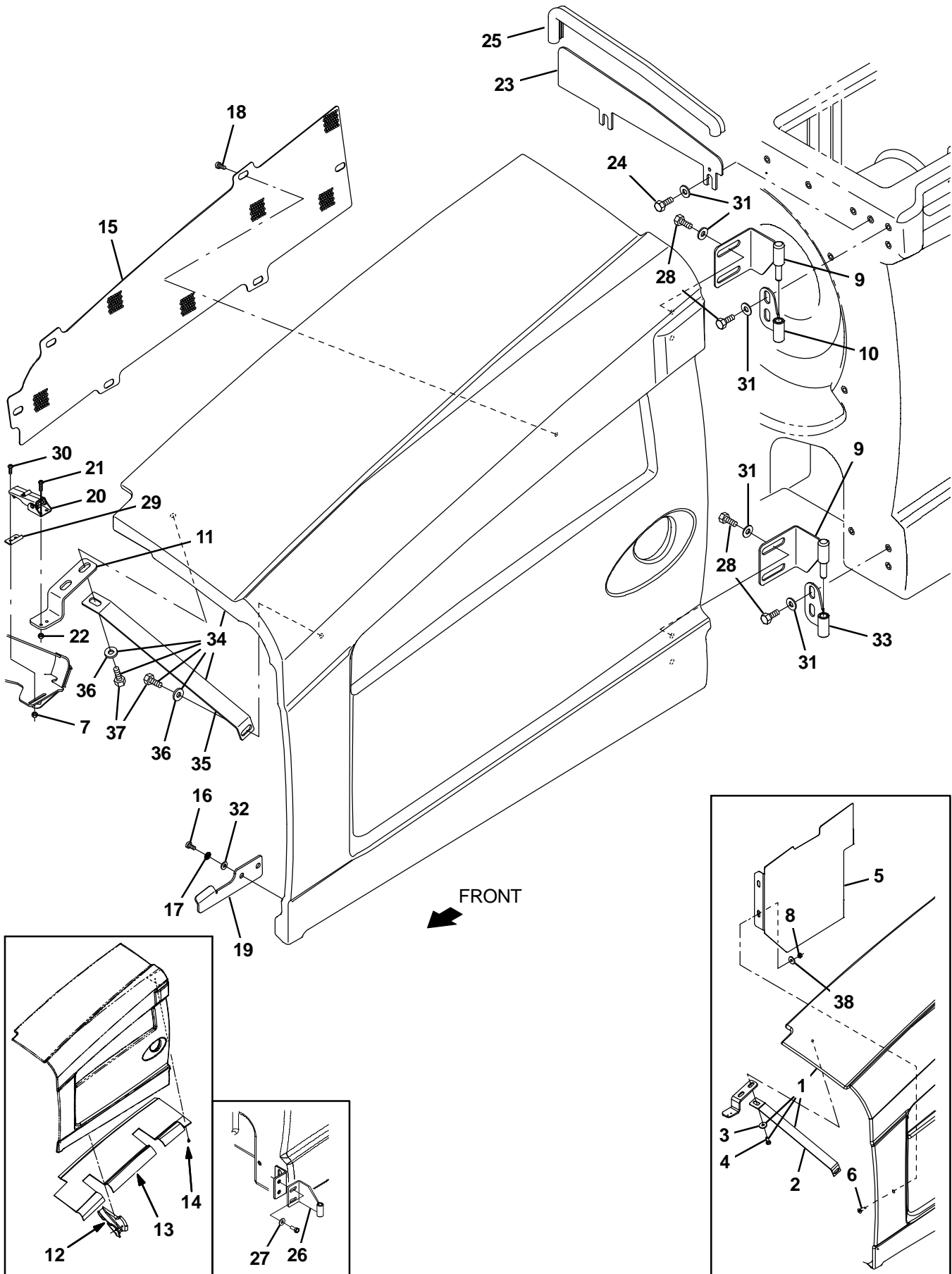


Fig. 10 – Engine Cover Group

	Ref.	Part No.	Serial Number	Description	Qty.
▽	1	1033156	(000000–004999)	Shroud Assy, Eng	1
▲	2	1026628	(000000–004999)	Angle, Brace, Shrd	1
▲	3	1017218	(000000–004999)	Washer, Flat, 0.32b 1.00d .12, Ss	2
▲	4	16931	(000000–004999)	Screw, Hex, M8 X 1.25 X 20, 8.8	2
	5	1022004	(000000–004999)	Bracket, Shield, Heat	1
	6	74077	(000000–004999)	Screw, Flt, M8 X 1.25 X 25	4
	7	33932	(000000–)	Nut, Hex, Lock, M4 X 0.7, NI, Ss	2
	8	08709	(000000–004999)	Nut, Hex, Lock, M8 X 1.25, NI	4
	9	1024500	(000000–)	Hinge Wldt, Shrd, Lh	2
	10	1025196	(000000–)	Hinge Wldt, Shrd, Lh	1
	11	1020186	(000000–)	Bracket, Latch, Cover	1
	12	1028516	(000000–001030)	Insulation, Shrd, Eng, Gusset	1
	13	1026665	(000000–001030)	Insulation, Flame–Retardant, 0.5	1
	14	21168	(000000–001030)	Clip, .250h, Plstc [Pine–Tree]	14
	15	1026726	(000000–)	Grill, Eng	1
	16	09200	(000000–)	Screw, Pan, M5 X 0.8 X 12, Ss	2
	17	19066	(000000–)	Washer, Flat, #10	2
	18	222267	(000000–)	Screw, Pan, Phl, 06–20 X 0.50, Fmg/Ab	6
	19	1028412	(000000–)	Bracket, Guide, Shrd	1
	20	384418	(000000–)	Latch, Door [Southco 91–562–07]	1
	21	06927	(000000–)	Screw, Pan, M4 X 0.7 X 16, 4.8	2
	22	02850	(000000–)	Nut, Hex, Lock, M4 X 0.7, NI	2
	23	1025806	(000000–)	Plate, Seal, Sound	1
	24	09740	(000000–)	Screw, Hex, M8 X 1.25 X 20, Ss	2
	25	1030588	(000000–)	Seal, Afmkt, Bulb, 90, 0.75d F/11ga 02ft	2
	26	1024177	(000000–001004)	Hinge Wldt, Door	1
	27	32491	(000000–001004)	Washer, Flat, 0.31, Std	2
	28	16931	(000000–)	Screw, Hex, M8 X 1.25 X 20, 8.8	7
	29	384419	(000000–)	Bracket, Latch, Keeper [Southco]	1
	30	24265	(000000–)	Screw, Pan, M4 X 0.7 X 16, Ss	2
	31	1017218	(000000–)	Washer, Flat, 0.32b 1.00d .12, Ss	15
	32	41139	(000000–)	Washer, Lock, Int–Ext, 10	2
	33	1025196	(001005–)	Hinge Wldt, Shrd, Lh	1
▽	34	1071439	(005000–)	Shroud Assy, Eng	1
▲	35	1026628	(005000–)	Angle, Brace, Shrd	1
▲	36	1017218	(005000–)	Washer, Flat, 0.32b 1.00d .12, Ss	2
▲	37	16931	(005000–)	Screw, Hex, M8 X 1.25 X 20, 8.8	2
	38	1017218	(000000–004999)	Washer, Flat, 0.32b 1.00d .12, Ss	4

STANDARD PARTS

Fig. 11 – GM Engine and Mount Group (000000–004999)

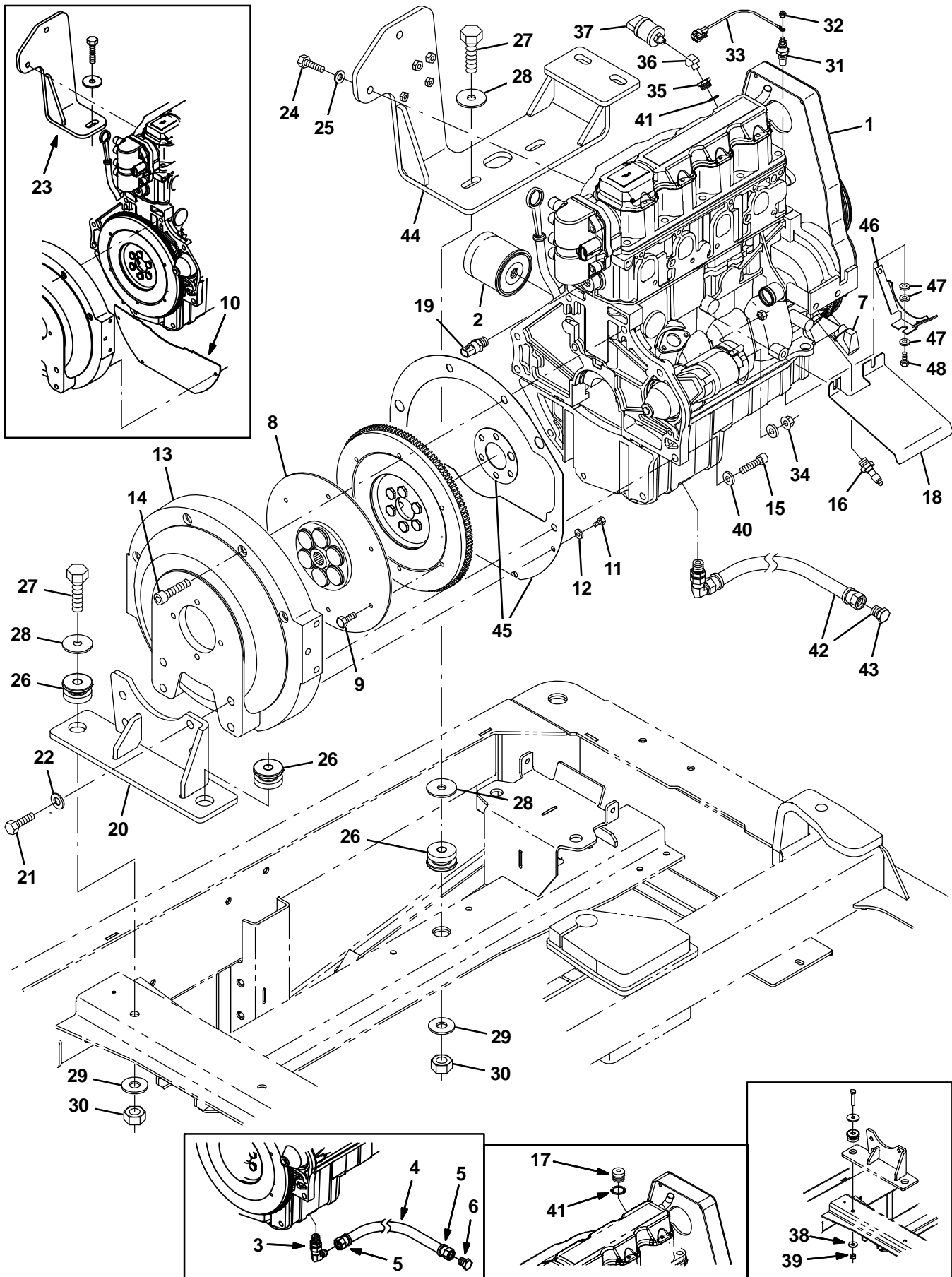


Fig. 11 – GM Engine and Mount Group (000000–004999)

Ref.	Part No.	Serial Number	Description	Qty.
▽	1	372862	(000000–004999) Engine [Long Block Gm 1.6l] (See Engine Breakdown)	1
▲	2	371972	(000000–004999) Element, Fltr, Oil, Eng, Spin-On (GM)	1
	3	372541	(000000–001499) Fitting, E90, M14 X .56	1
	4	371855	(000000–001499) Hose, Hyd, 26.0l	1
	5	371876	(000000–001499) Fitting, End, Hose	2
	6	371890	(000000–001499) Fitting, Pipe, Plug	1
	7	372002	(000000–004999) Sensor, Position, Cshft	1
	8	371866	(000000–004999) Coupling, Drive, 13t	1
	9	372554	(000000–004999) Screw, Hex, M07–1.00 X 23.0, 8.8	6
	10	371868	(000000–002140) Cover, Hsng, Flywheel (Replaced By 9006895)	1
	11	19315	(000000–004999) Screw, Hex, .25–20 X 0.50, 5	4
	12	32490	(000000–004999) Washer, Flat, 0.25 Std	4
	13	371869	(000000–004999) Housing, Pump	1
	14	371870	(000000–004999) Screw, Soc, M12 X 1.75 X 55, 10.9	4
	15	10832	(000000–004999) Screw, Soc, .38–16 X 1.50, Al	2
	16	371996	(000000–002140) Switch, Indicator, Oil Press	1
	16	9008197	(002141–004999) Switch, Indicator, Oil Press [2010]	1
	17	371860	(000000–001499) Fitting, Pipe, Plug, Metric, M18,Soc	1
	18	372556	(000000–004999) Shield, Starter [1.6l]	1
	19	372953	(000000–004999) Sensor, Temp, Coolant	1
	20	1023288	(000000–004999) Bracket Wldt, Mtg, Eng, Back, Gas/Lpg	1
	21	39810	(000000–004999) Screw, Hex, .50–13 X 1.25, 5	4
	22	32486	(000000–004999) Washer, Flat, 0.50 Sae	4
	23	1011353	(000000–002092) Mount Wldt, Eng, Gas/Lpg	1
	24	39283	(000000–004999) Screw, Hex, M10 X 1.5 X 25, 8.8	2
	25	32485	(000000–004999) Washer, Flat, 0.38 Sae	2
	26	51176	(000000–004999) Isolator, Vib, .50d	3
	27	06972	(000000–004999) Screw, Hex, M12 X 1.75 X 60, 8.8	3
	28	04414	(000000–004999) Washer, Flat, 0.53b 1.88d .12, Stl, Pl	4
	29	32493	(000000–004999) Washer, Flat, 0.50 Std	3
	30	08711	(000000–004999) Nut, Hex, Lock, M12 X 1.75,Nl	3
	31	1042028	(000000–004999) Sensor, Temp, Water [Rework For 1.6GM]	1
	32	50335	(000000–004999) Nut, Hex, Std, M5 X 0.8, 8	1
	33	1030073	(000000–004999) Wire, 16ga 09.6l Brown Mp280/ #10ring	1
	34	41361	(000000–004999) Nut, Hex, Std, M8 X 1.25, Brs	1
	35	1031439	(001500–004999) Fitting, Pipe, Bshg, M18 X 1.5	1
	36	24976	(001500–004999) Fitting, Brs, E45, Pf02/Pm02	1
	37	1055106	(001500–004999) Switch, Press, 0006psi Dpdt	1
	38	32493	(000000–001035) Washer, Flat, 0.50, Std	2
	39	08711	(000000–001035) Nut, Hex, Lock, M12 X 1.75,Nl	2
	40	371877	(000000–004999) Washer, Flat, 0.38, Hardened	2
	41	385029	(000000–004999) Gasket, Plug, Relief Valve,Oil Press	1
	42	9006634	(001500–004999) Hose, Drain, Eng Oil	1
	43	9006635	(001500–004999) Fitting, Plug	1
	44	1046022	(002093–004999) Bracket Wldt, Mtg, Eng	1
	45	9006895	(002141–004999) Plate Kit, Repair	1
	46	1056566	(002124–004999) Plate, Guard, Belt [Gm 1.6l]	1
	47	32490	(002124–004999) Washer, Flat, 0.25, Std	3
	48	06943	(002124–004999) Screw, Hex, M6 X 1.00 X 20, 8.8	1

Fig. 12 – GM Engine EFI Group, Gasoline (000000–001499)

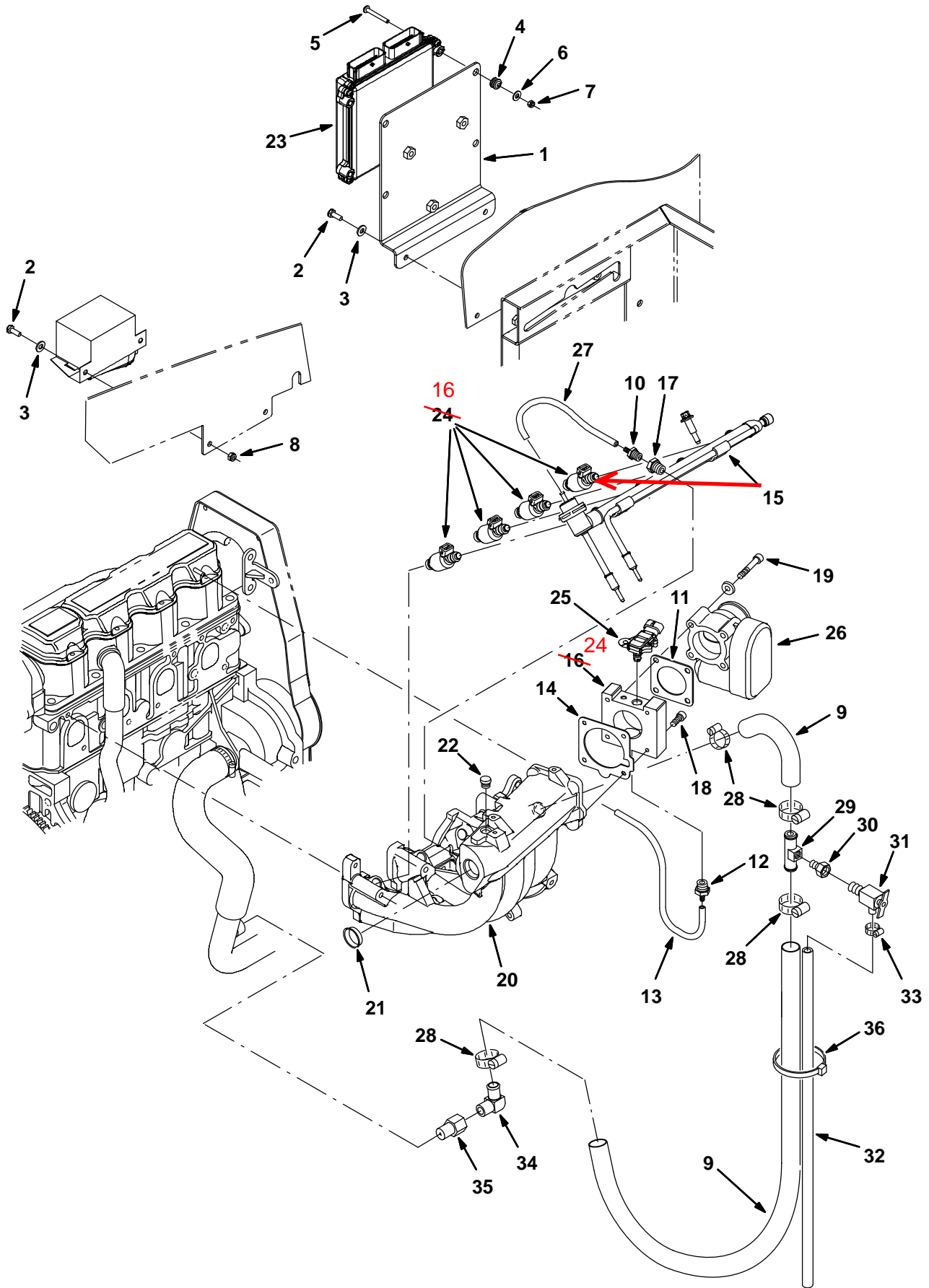


Fig. 12 – GM Engine EFI Group, Gasoline (000000–001499)

Ref.	Part No.	Serial Number	Description	Qty.
1	1018939	(000000–001499)	Bracket, Mtg [Ecu]	1
2	06942	(000000–001499)	Screw, Hex, M6 X 1.0 X 16, 8.8	4
3	32483	(000000–001499)	Washer, Flat, 0.25 Sae	4
4	46314	(000000–001499)	Grommet, Rbr, 0.20id, F/0.4h, .12 Matl	4
5	06938	(000000–001499)	Screw, Pan, M5 X 0.8 X 40, 4.8	4
6	01683	(000000–001499)	Washer, Flat, #10, Ss	8
7	06549	(000000–001499)	Nut, Hex, Lock, M5 X 0.8, NI	4
8	08708	(000000–001499)	Nut, Hex, Lock, M6 X 1.0, NI	2
9	1022364	(000000–001499)	Hose, Heater	1
10	372542	(000000–001499)	Fitting, Str, .19brb X .12mpt	1
11	372545	(000000–001499)	Qd36Gasket, Body, Throttle [1.6l]	1
12	372543	(000000–001499)	Fitting, Vacuum [M16–15–6h]	1
13	372489	(000000–001499)	Hose, 9.5mm X 450mm [Pcv]	1
14	372544	(000000–001499)	Gasket, Manifold, Intake	1
15	372566	(000000–001499)	Rail, Injector, Gas, W/ Press Reg	1
24	16 372534	(000000–001499)	Adapter, Intake, Throttle Body	1
17	372537	(000000–001499)	Bushing, M06–1.50 X .25–27npt	1
18	06532	(000000–001499)	Screw, Soc, M6 X 1.0 X 25, 12.9	4
19	07255	(000000–001499)	Screw, Soc, M6 X 1.0 X 45, 12.9	4
20	372547	(000000–001499)	Manifold, Intake [1.6l]	1
21	372549	(000000–001499)	Plug, Manifold, Intake	1
22	372550	(000000–001499)	Plug, Port, Sensor [Map]	1
23	372858	(000000–001499)	Module, Ecu, Gas [Gm 1.6l]	1
16	24 372563	(000000–001499)	Injector Kit, Fuel, Gas	4
25	372493	(000000–001499)	Sensor [Tmap]	1
26	384974	(000000–001499)	Housing, Throttle, 40mm [Bosch]	1
27	372546	(000000–001499)	Hose, Fuel, .19	1
28	63810	(000000–001499)	Clamp, Hose, Wormdrive, 0.56–1.06d, .56w	4
29	83578	(000000–001499)	Tube, Air Bleed, .62d 2.2l .12npt Alm	1
30	1015930	(000000–001499)	Fitting, Brs, Str, Pf04/Pm02	1
31	51305	(000000–001499)	Fitting, Draincock, E90, .25npt	1
32	73471	(000000–001499)	Hose, Pvc, Clr, 0.38id 0.56od 22.00l	1
33	43844	(000000–001499)	Clamp, Hose, Wormdrive, 0.25–0.62d, .31w	1
34	51839	(000000–001499)	Fitting, Brs, E90, Em10/Pm06	1
35	1015547	(000000–001499)	Fitting, Adapter, Orifice, Pf06/Pm06	1
36	49266	(000000–001499)	Tie, Cable, Nyl, 07.3l .19w 1.8 Max D	1

STANDARD PARTS

Fig. 13 – GM Engine EFI Group, Gasoline (001500–002140)

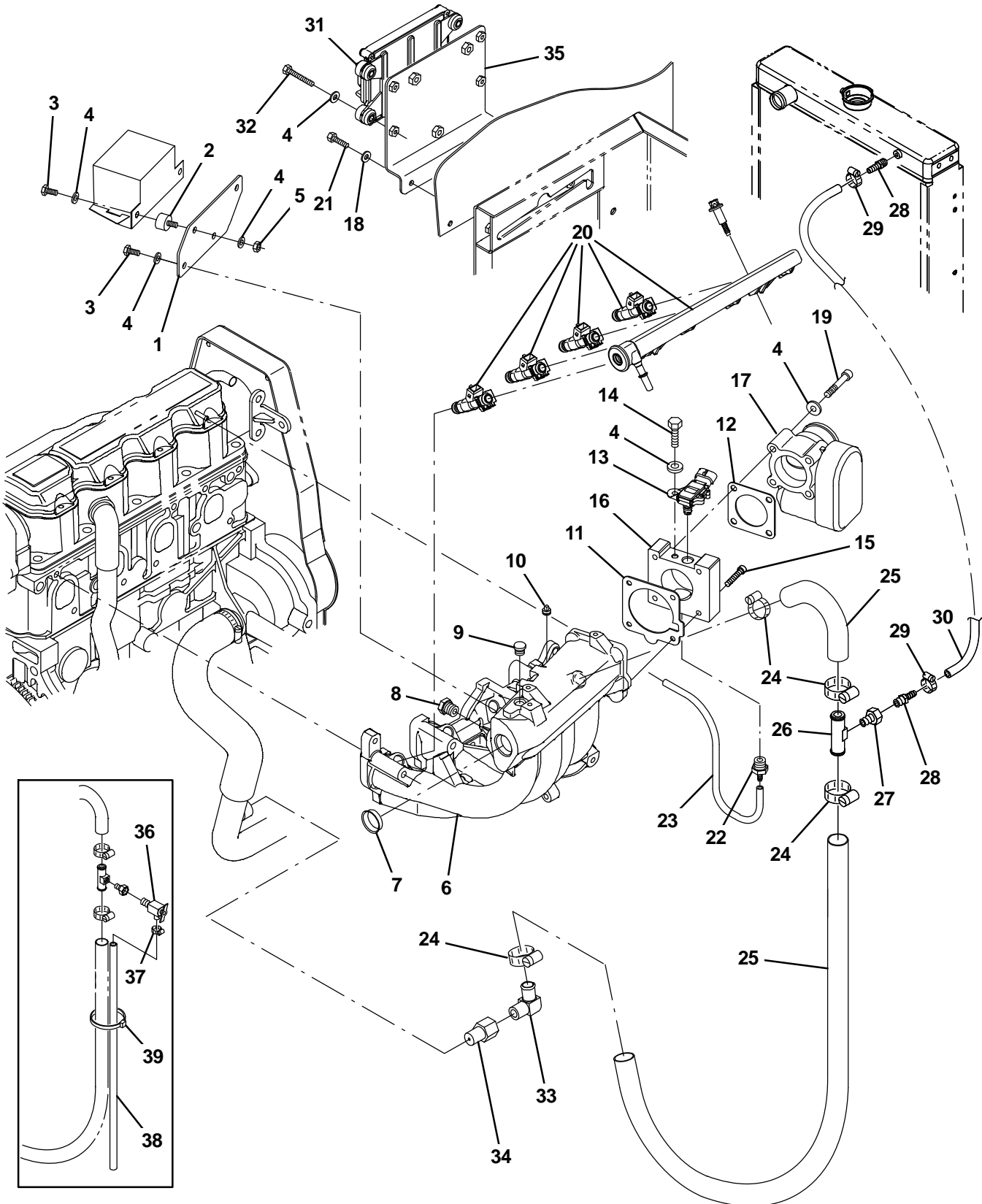


Fig. 13 – GM Engine EFI Group, Gasoline (001500–002140)

Ref.	Part No.	Serial Number	Description	Qty.	
1	1031312	(001500–002140)	Plate, Mtg, Relay	1	
2	372470	(001500–002140)	Isolator, Box, Relay	2	
3	19315	(001500–002140)	Screw, Hex, .25–20 X 0.50, G5	4	
4	32490	(001500–002140)	Washer, Flat, 0.25, Std	13	
5	19312	(001500–002140)	Nut, Hex, Std, .25–20	2	
6	372547	(001500–002140)	Manifold, Intake [1.6l]	1	
7	372549	(001500–002140)	Plug, Manifold, Intake	1	
8	384995	(001500–002140)	Fitting, Plug, M16, Intake Manifold	1	
9	372550	(001500–002140)	Plug, Port, Sensor [Map]	1	
10	372548	(001500–002140)	Plug, .12npt, Ss	1	
▽	9003390	(001500–002140)	Gasket Kit, Repair, Gas [Gm1.6l 2007]	1	
▲	11	372544	(001500–002140)	Gasket, Manifold, Intake	1
▲	12	372545	(001500–002140)	Gasket, Body, Throttle [1.6l]	1
13	384985	(001500–002140)	Sensor [T Map]	1	
14	19317	(001500–002140)	Screw, Hex, .25–20 X 0.75, G5	1	
15	06532	(001500–002140)	Screw, Soc, M6 X 1.00 X 25, 12.9	4	
16	372534	(001500–002140)	Adapter, Intake, Throttle Body	1	
17	384974	(001500–002140)	Housing, Throttle, 40mm [Bosch]	1	
18	32483	(001500–002140)	Washer, Flat, 0.25, Sae	2	
19	07255	(001500–002140)	Screw, Soc, M6 X 1.00 X 45, 12.9	4	
20	384992	(001500–002140)	Rail, Injector, Fuel, Plstc	1	
21	06942	(001500–002140)	Screw, Hex, M6 X 1.00 X 16, 8.8	2	
22	372543	(001500–002140)	Fitting, Vacuum [M16–15–6h]	1	
23	384972	(001500–002140)	Hose, Vacuum, 0.22id X 15.0l	1	
24	63810	(001500–002140)	Clamp, Hose, Wormdrive, 0.56–1.06d, .56w	4	
25	1022364	(001500–002140)	Hose, Heater	1	
26	83578	(001500–002140)	Tube, Bleed, Air, .62od 2.2l .12npt, Alm	1	
27	1015930	(001500–002140)	Fitting, Brs, Str, Pf04/Pm02	2	
28	150516	(001720–002140)	Fitting, Brs, Str, Bm06/Pm05	2	
29	54333	(001720–002140)	Clamp, Hose, Wormdrive, 0.31–0.88d, .31w	2	
30	1043481	(001720–002140)	Hose, Heater, 0.38ID	1	
31	1028711	(001500–002140)	Module, Ecu, Gas [Gm1.6l 2700]	1	
32	06946	(001500–002140)	Screw, Hex, M6 X 1.00 X 35, 8.8	1	
33	51839	(001500–002140)	Fitting, Brs, E90, Em10/Pm06	1	
34	1015547	(001500–002140)	Fitting, Adapter, Orifice, Pf06/Pm06	1	
35	1029082	(001500–002140)	Bracket, Mtg, Ecu [M20/T20 2007]	1	
36	51305	(001500–001719)	Fitting, Draincock, E90, .25npt	1	
37	43844	(001500–001719)	Clamp, Hose, Wormdrive, 0.25–0.62d, .31w	1	
38	73471	(001500–001719)	Hose, Pvc, Clr, 0.38id 0.56od 022.0l	1	
39	49266	(001500–001719)	Tie, Cable, Nyl, 07.3l .19w 1.8 Max D	1	

Fig. 14 – GM Engine EFI Group, Gasoline (002141–004999)

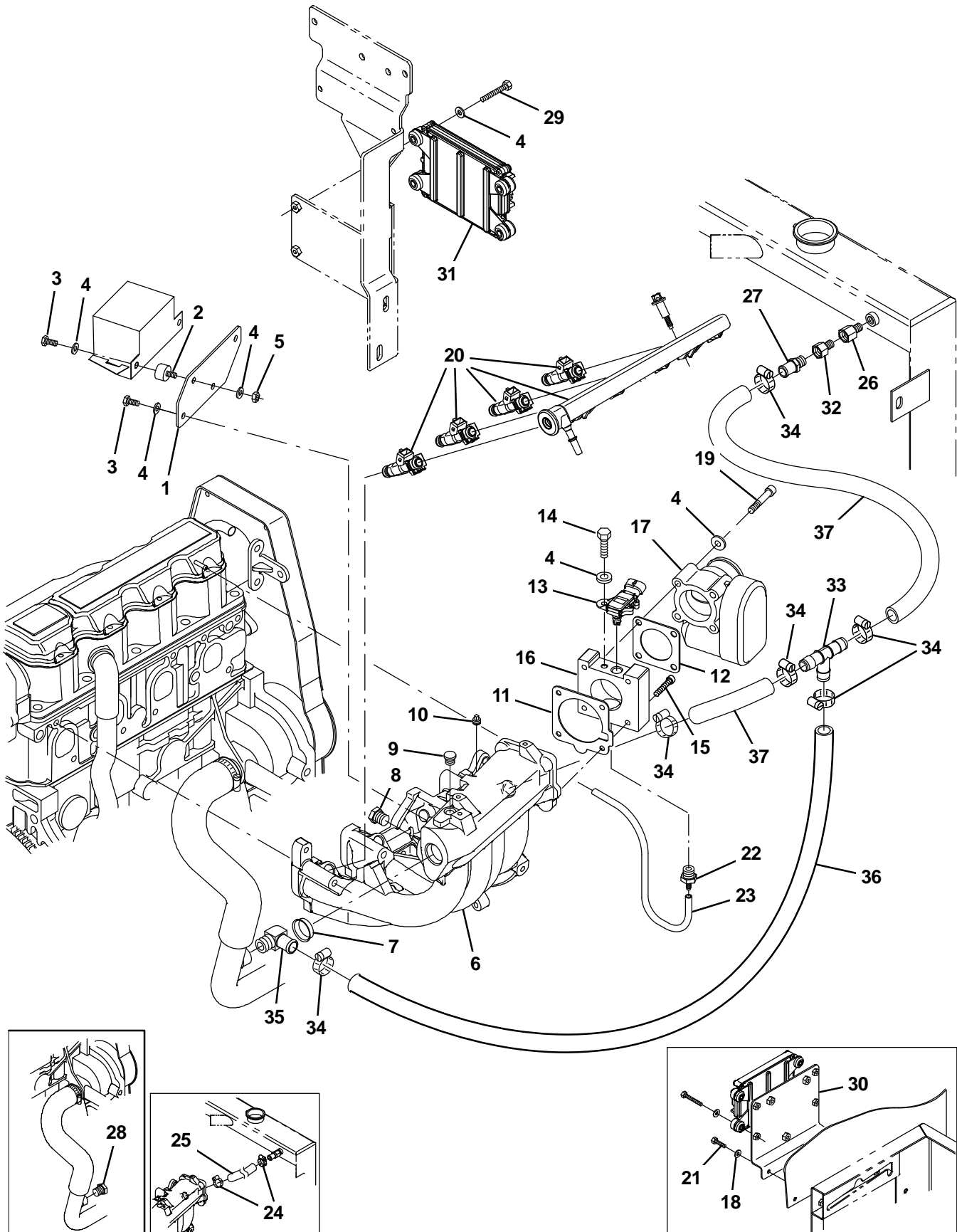


Fig. 14 – GM Engine EFI Group, Gasoline (002141–004999)

Ref.	Part No.	Serial Number	Description	Qty.	
1	1031312	(002141–004999)	Plate, Mtg, Relay	1	
2	372470	(002141–004999)	Isolator, Box, Relay	2	
3	19315	(002141–004999)	Screw, Hex, .25–20 X 0.50, G5	4	
4	32490	(002141–004999)	Washer, Flat, 0.25, Std	13	
5	19312	(002141–004999)	Nut, Hex, Std, .25–20	2	
6	372547	(002141–004999)	Manifold, Intake [1.6l]	1	
7	372549	(002141–004999)	Plug, Manifold, Intake	1	
8	384995	(002141–004999)	Fitting, Plug, M16, Intake Manifold	1	
9	372550	(002141–004999)	Plug, Port, Sensor [Map]	1	
10	372548	(002141–004999)	Plug, .12npt, Ss	1	
▽	9003390	(002141–004999)	Gasket Kit, Repair, Gas [Gm1.6l 2007]	1	
▲	11	372544	(002141–004999)	Gasket, Manifold, Intake	1
▲	12	372545	(002141–004999)	Gasket, Body, Throttle [1.6l]	1
13	384985	(002141–004999)	Sensor [T Map]	1	
14	19317	(002141–004999)	Screw, Hex, .25–20 X 0.75, G5	1	
15	06532	(002141–004999)	Screw, Soc, M6 X 1.00 X 25, 12.9	4	
16	9006619	(002141–004999)	Adapter	1	
17	384974	(002141–004999)	Housing, Throttle, 40mm [Bosch]	1	
18	32483	(002141–002182)	Washer, Flat, 0.25, Sae	2	
19	07255	(002141–004999)	Screw, Soc, M6 X 1.00 X 45, 12.9	4	
20	384992	(002141–004999)	Rail, Injector, Fuel, Plstc	1	
21	06942	(002141–002182)	Screw, Hex, M6 X 1.00 X 16, 8.8	2	
22	372543	(002141–004999)	Fitting, Vacuum [M16–15–6h]	1	
23	384972	(002141–004999)	Hose, Vacuum, 0.22id X 15.0l	1	
24	63810	(002141–002253)	Clamp, Hose, Wormdrive, 0.56–1.06d, .56w	2	
25	61869	(002141–002253)	Hose, Heater, 0.62id, 024.0l	1	
26	1042772	(002141–004999)	Fitting, Brs, Str, Pf06/Pm04	1	
27	27767	(002141–004999)	Fitting, Brs, Str, Em10/Pm06	1	
28	762282	(002141–002253)	Fitting, Hyd, Plug, Pm06	1	
29	06946	(002141–004999)	Screw, Hex, M6 X 1.00 X 35, 8.8	4	
30	1029082	(002141–002182)	Bracket, Mtg, Ecu [M20/T20 2007]	1	
31	1056232	(002141–004999)	Module, Ecu, Gas [Gm1.6l 2010]	1	
32	1015547	(002141–004999)	Fitting, Adapter, Orifice, Pf06/Pm06	1	
33	1062116	(002254–004999)	Fitting, Plstc, Tee, Bm10/Bm10/Bm10	1	
34	63810	(002254–004999)	Clamp, Hose, Wormdrive, 0.56–1.06d, .56w	7	
35	51839	(002254–004999)	Fitting, Brs, E90, Em10/Pm06	1	
36	1016560	(002254–004999)	Hose, Afmkt, Rbr, Heater, 0.62id, 02ft	1	
37	1015897	(002254–004999)	Hose, Radiator, Mold, .75ld X .62ld (Cut in two)	1	

Fig. 15 – GM Engine EFI Group, LPG (000000–001499)

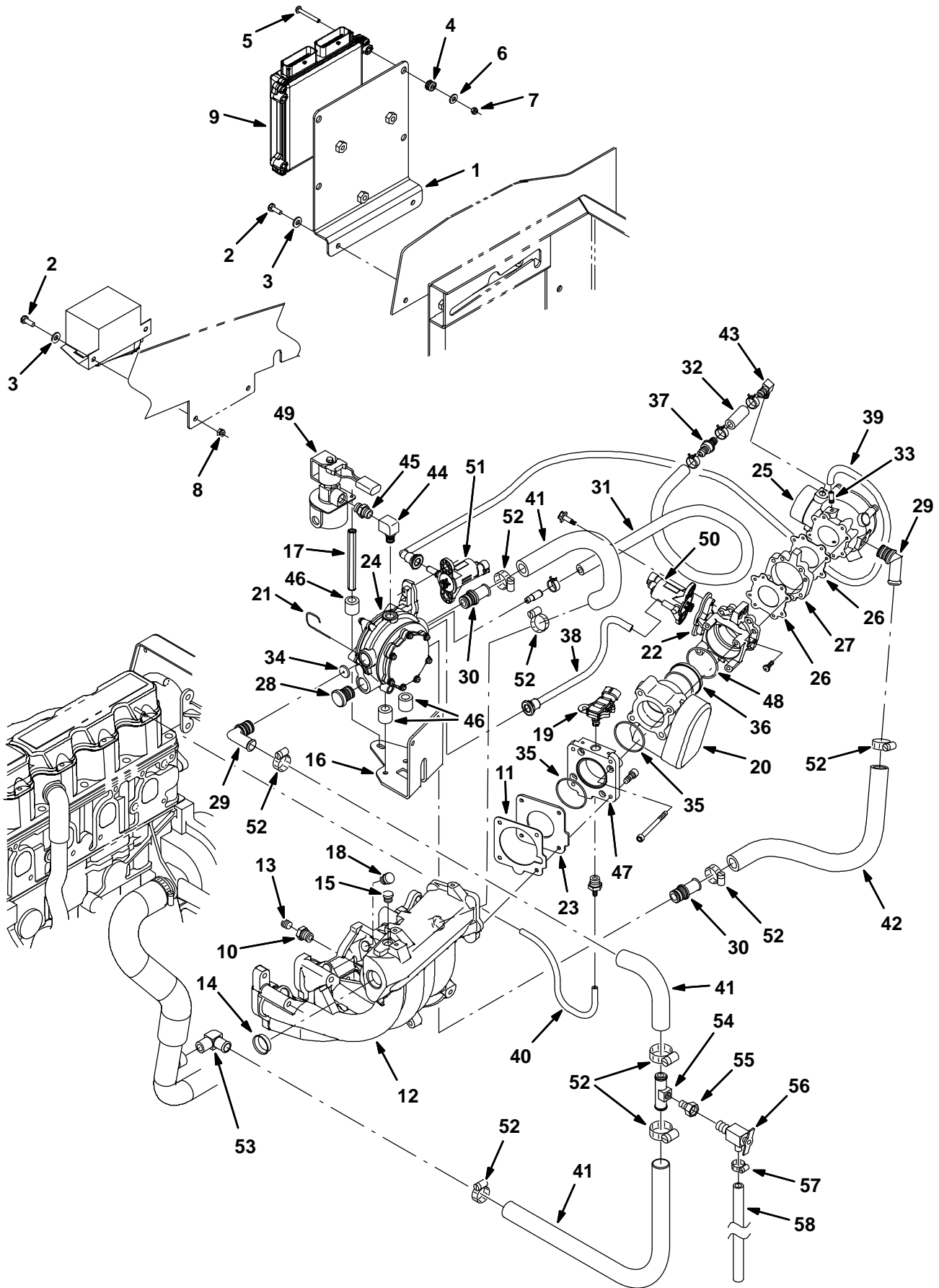


Fig. 15 – GM Engine EFI Group, LPG (000000–001499)

Ref.	Part No.	Serial Number	Description	Qty.	
1	1018939	(000000–001499)	Bracket, Mtg [Ecu]	1	
2	06942	(000000–001499)	Screw, Hex, M6 X 1.0 X 16, 8.8	4	
3	32483	(000000–001499)	Washer, Flat, 0.25 Sae	4	
4	46314	(000000–001499)	Grommet, Rbr, 0.20id, F/0.4h, .12 Matl	4	
5	06938	(000000–001499)	Screw, Pan, M5 X 0.8 X 40, 4.8	4	
6	01683	(000000–001499)	Washer, Flat, #10, Ss	8	
7	06549	(000000–001499)	Nut, Hex, Lock, M5 X 0.8, NI	4	
8	08708	(000000–001499)	Nut, Hex, Lock, M6 X 1.0, NI	2	
9	372857	(000000–001499)	Module, Ecu, Lpg [Gm 1.6l]	1	
10	372537	(000000–001499)	Bushing, M06–1.50 X .25–27npt	1	
11	372544	(000000–001499)	Gasket, Manifold, Intake	1	
12	372547	(000000–001499)	Manifold, Intake [1.6l]	1	
13	372548	(000000–001499)	Plug, .12npt, Ss	1	
14	372549	(000000–001499)	Plug, Manifold, Intake	1	
15	372550	(000000–001499)	Plug, Port, Sensor [Map]	1	
16	372576	(000000–001499)	Bracket, Reg [1.6l]	1	
17	372577	(000000–001499)	Spacer, Sppt, Fltr Lock Off	1	
18	372579	(000000–001499)	Plug, Hole, Injector	4	
19	372493	(000000–001499)	Sensor [Tmap]	1	
20	372482	(000000–001499)	Housing, Throttle, 40mm [Bosch]	1	
21	372523	(000000–001499)	Pin, Retainer	5	
22	372580	(000000–001499)	Adapter, Valve, Fuel Trim	1	
23	372582	(000000–001499)	Adapter, Plate	1	
24	372500	(000000–001499)	Regulator, Lpg	1	
25	372898	(000000–001499)	Mixer, Lpg [Gm 1.6l]	1	
26	372608	(000000–001499)	Gasket	2	
27	372612	(000000–001499)	Adapter, Throttle Body	1	
28	372515	(000000–001499)	Fitting, Cap	1	
29	372512	(000000–001499)	Fitting, E70	2	
30	372514	(000000–001499)	Fitting, Str	2	
31	372506	(000000–001499)	Hose, Balancing, Press, 680mm	1	
32	372507	(000000–001499)	Hose, Balancing, Press, 045mm	1	
33	372511	(000000–001499)	Fitting, Hose, Vacuum, .25	1	
34	372517	(000000–001499)	Restrictor, Jet, Coolant	1	
35	372484	(000000–001499)	Seal, Org	1	
36	372498	(000000–001499)	Sleeve, Throttle, Plstc [Bosch]	1	
37	372569	(000000–001499)	Valve, Check	1	
38	372609	(000000–001499)	Hose, 170mm [Ftv–Ptv]	1	
39	372605	(000000–001499)	Hose, Valve, Press Trim, 350mm	1	
40	372607	(000000–001499)	Hose, 9.5mm X 290mm [Pcv]	1	
41	372528	(000000–001499)	Hose, Mold, .62 To .75	1	
42	372606	(000000–001499)	Hose, 355mm [FI–Vrp]	1	
43	372510	(000000–001499)	Fitting, E90	1	
44	372611	(000000–001499)	Fitting, Str, E90, .25npt	1	
45	372610	(000000–001499)	Fitting, Nipple, .25npt, Brs	1	
46	372518	(000000–001499)	Isolator, Mtg, Vaporizer, Rbr	3	
47	372558	(000000–001499)	Adapter [1.6]	1	
48	372613	(000000–001499)	Seal, Org, Throttle Body	1	
▽	49	372503	(000000–001499)	Valve, Fuelock, Lpg, Wire Connector	1
▲		372615	(000000–001499)	Filter Kit, Fuelock, Lpg	1

Fig. 15 – GM Engine EFI Group, LPG (000000–001499)

Ref.	Part No.	Serial Number	Description	Qty.
50	372501	(000000–001499)	Valve, Trim, Fuel, Normal Flow	1
51	372497	(000000–001499)	Valve, Body, Throttle, Lpg	1
52	63810	(000000–001499)	Clamp, Hose, Wormdrive, 0.56–1.06d, .56w	9
53	51839	(000000–001499)	Fitting, Brs, E90, Em10/Pm06	1
54	83578	(000000–001499)	Tube, Air Bleed, .62d 2.2l .12npt Alm	1
55	1015930	(000000–001499)	Fitting, Brs, Str, Pf04/Pm02	1
56	51305	(000000–001499)	Fitting, Draincock, E90, .25npt	1
57	43844	(000000–001499)	Clamp, Hose, Wormdrive, 0.25–0.62d, .31w	1
58	73471	(000000–001499)	Hose, Pvc, Clr, 0.38id 0.56od 22.00l	1

STANDARD PARTS

Fig. 16 – GM Engine EFI Group, LPG (001500–004999)

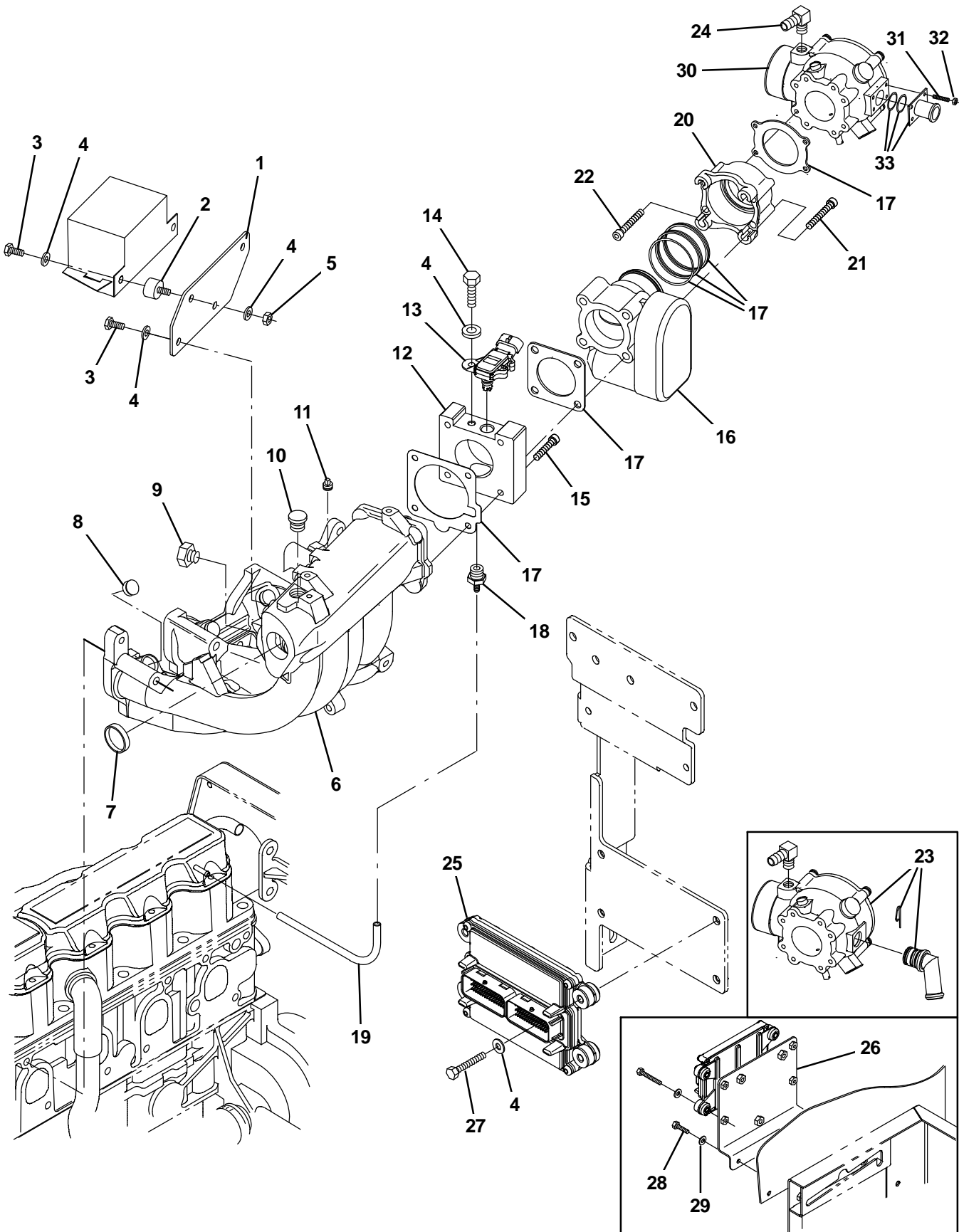


Fig. 16 - GM Engine EFI Group, LPG (001500-004999)

Ref.	Part No.	Serial Number	Description	Qty.	
1	1031312	(001500-004999)	Plate, Mtg, Relay	1	
2	372470	(001500-004999)	Isolator, Box, Relay	2	
3	19315	(001500-004999)	Screw, Hex, .25-20 X 0.50, G5	4	
4	32490	(001500-004999)	Washer, Flat, 0.25, Std	9	
5	19312	(001500-004999)	Nut, Hex, Std, .25-20	2	
6	372547	(001500-004999)	Manifold, Intake [1.6l]	1	
7	372549	(001500-004999)	Plug, Manifold, Intake	1	
8	372579	(001500-004999)	Plug, Hole, Injector	4	
9	384995	(001500-004999)	Fitting, Plug, M16, Intake Manifold	1	
10	372550	(001500-004999)	Plug, Port, Sensor [Map]	1	
11	372548	(001500-004999)	Plug, .12npt, Ss	1	
12	372534	(001500-002140)	Adapter, Intake, Throttle Body	1	
12	9006619	(002141-004999)	Adapter	1	
13	384985	(001500-004999)	Sensor [T Map]	1	
14	19317	(001500-004999)	Screw, Hex, .25-20 X 0.75, G5	1	
15	06532	(001500-004999)	Screw, Soc, M6 X 1.00 X 25, 12.9	4	
16	384974	(001500-004999)	Housing, Throttle, 40mm [Bosch]	1	
17	9003391	(001500-004999)	Gasket Kit, Repair, Lpg [Gm1.6l 2007]	1	
18	372543	(001500-004999)	Fitting, Vacuum [M16-15-6h]	1	
19	384972	(001500-004999)	Hose, Vacuum, 0.22id X 15.0l	1	
20	384996	(001500-004999)	Adapter, Valve, 400mm [Bosch]	1	
21	09037	(001500-004999)	Screw, Soc, M8 X 1.25 X 70, 12.9	4	
22	384991	(001500-004999)	Bolt, Soc Head, M5 X 80 X 35	4	
23	384980	(001500-002140)	Mixer, W/70deg Ftg	1	
24	384976	(001500-004999)	Fitting, E90	1	
25	1028722	(001500-002140)	Module, Ecu, Lpg [Gm1.6l 2007]	1	
25	1056233	(002141-004999)	Module, Ecu, Lpg [Gm1.6l 2010]	1	
26	1029082	(001500-002182)	Bracket, Mtg, Ecu	1	
27	06946	(001500-004999)	Screw, Hex, M6 X 1.00 X 35, 8.8	4	
28	06942	(001500-002182)	Screw, Hex, M6 X 1.00 X 16, 8.8	2	
29	32483	(001500-002182)	Washer, Flat, 0.25, Sae	2	
▽	30	9006618	(002141-004999)	Mixer , Lpg	1
▲		9010634	(002141-004999)	Repair Kit, Mixer	1
	31	9007424	(002141-004999)	Stud, M05-0.8	4
	32	9007423	(002141-004999)	Nut, Flng, M05-0.8	4
	33	1055170	(002141-004999)	Fitting, Fuel [Mixer E100Lp 2010]	1

Fig. 17 – GM Engine Vaporizer Group, LPG (001500–002140)

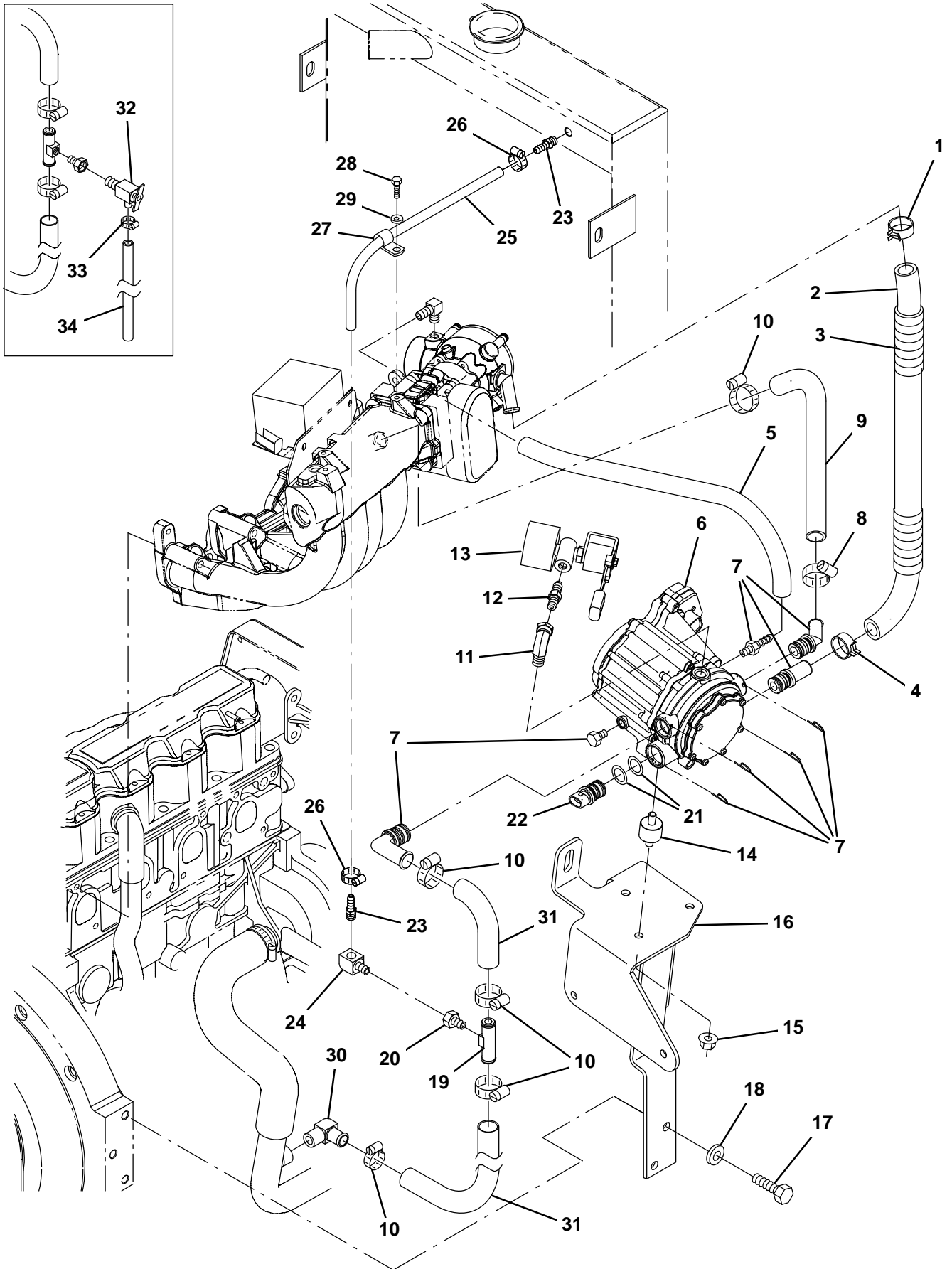


Fig. 17 – GM Engine Vaporizer Group, LPG (001500–002140)

Ref.	Part No.	Serial Number	Description	Qty.	
1	384970	(001500–002140)	Clamp, Hose, Spring, 0.75d	1	
2	384983	(001500–002140)	Hose [Mixer To Epr]	1	
3	384971	(001500–002140)	Cover, Hose	1	
4	384979	(001500–002140)	Clamp, Hose, Spring, 0.62d	1	
5	384973	(001500–002140)	Hose, Supply, Gas, .25id	1	
6	384977	(001500–002140)	Regulator [Ep]	1	
7	384978	(001500–002140)	Fitting Kit [Epr]	1	
8	372539	(001500–002140)	Clamp, Hose, 1.0	1	
9	384984	(001500–002140)	Hose [Epr To Manifold]	1	
10	63810	(001500–002140)	Clamp, Hose, Wormdrive, 0.56–1.06d, .56w	5	
11	11442–1	(001500–002140)	Fitting, Hyd, E90, Spcl	1	
12	372529	(001500–002140)	Fitting, Nipple, .25mal	1	
▽	13	384975	(001500–002140)	Valve, Lock Off	1
▲		372615	(001500–002140)	Filter Kit, Fuelock, Lpg	1
14	384986	(001500–002140)	Isolator [Epr]	3	
15	07791	(001500–002140)	Nut, Hex, Flng, M8 X 1.25	3	
16	1028343	(001500–002140)	Bracket Wldt, Mtg, Regulator, Lpg	1	
17	371770	(001500–002140)	Screw	2	
18	371877	(001500–002140)	Washer, Flat, 0.38, Hardened	2	
19	83578	(001500–002140)	Tube, Bleed, Air, .62od 2.2l .12npt, Alm	1	
20	1015930	(001500–002140)	Fitting, Brs, Str, Pf04/Pm02	1	
21	1041151	(001500–002140)	Seal, Org, Sensor, Temp [Epr]	2	
22	1041152	(001500–002140)	Sensor, Temp [Epr]	1	
23	150516	(001720–002140)	Fitting, Brs, Str, Bm06/Pm05	2	
24	27048	(001720–002140)	Fitting, Brs, E90, Pf04/Pm04	1	
25	1043481	(001720–002140)	Hose, Heater, 0.38id	1	
26	54333	(001720–002140)	Clamp, Hose, Wormdrive, 0.31–0.88d, .31w	2	
27	67767	(001720–002140)	Clamp, Cable, Stl, 0.69d X 0.62w, 1hole	1	
28	06942	(001720–002140)	Screw, Hex, M6 X 1.00 X 16, 8.8	1	
29	32490	(001720–002140)	Washer, Flat, 0.25, Std	1	
30	51839	(001500–002140)	Fitting, Brs, E90, Em10/Pm06	1	
31	372528	(001500–002140)	Hose, Mold, .62 To .75 (Cut in 2)	1	
32	51305	(001500–001719)	Fitting, Draincock, E90, .25npt	1	
33	43844	(001500–001719)	Clamp, Hose, Wormdrive, 0.25–0.62d, .31w	1	
34	73471	(001500–001719)	Hose, Pvc, Clr, 0.38id 0.56od 022.0l	1	

STANDARD PARTS

Fig. 18 – GM Engine Vaporizer Group, LPG (002141–004999)

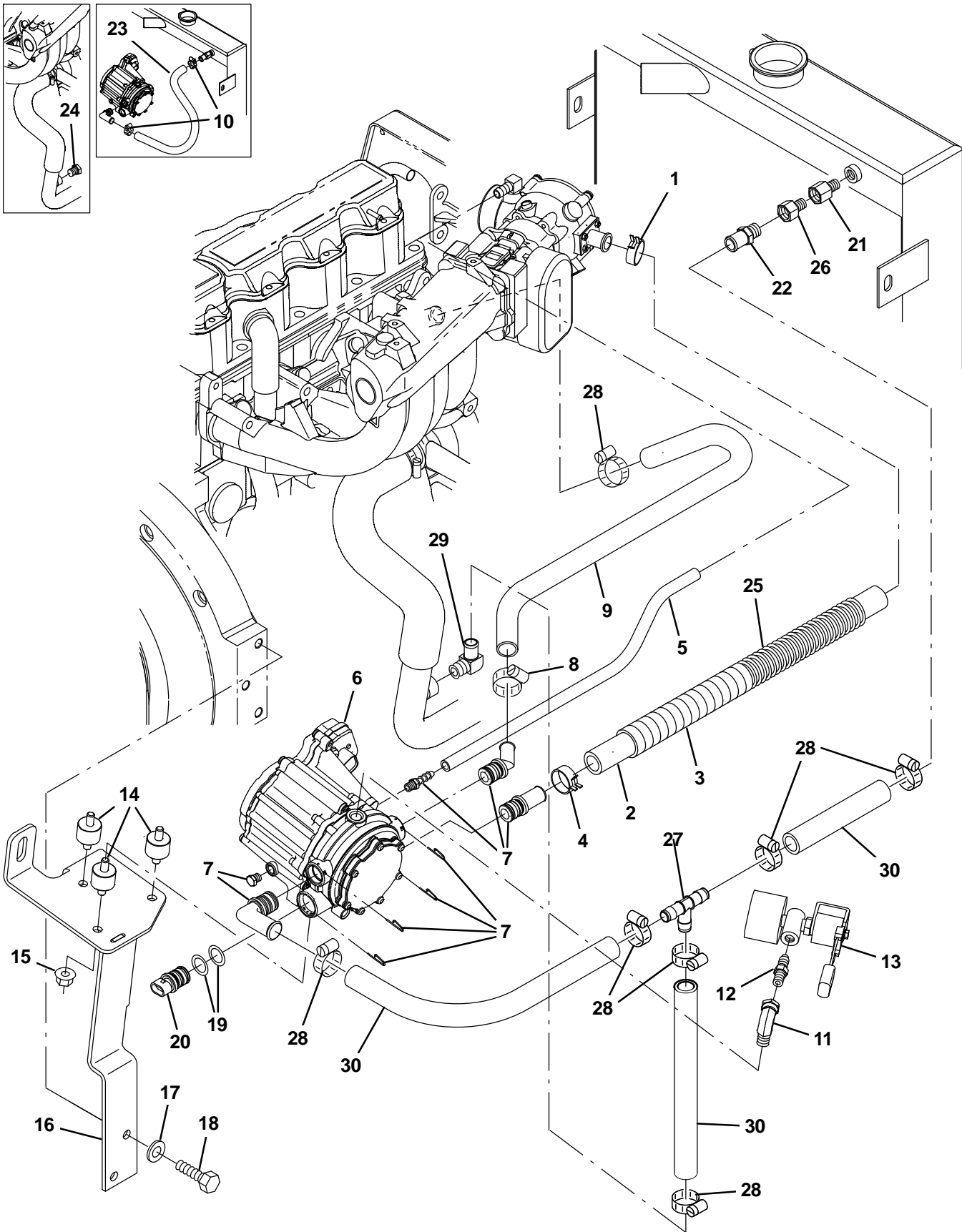


Fig. 18 – GM Engine Vaporizer Group, LPG (002141–004999)

Ref.	Part No.	Serial Number	Description	Qty.	
1	384970	(002141–004999)	Clamp, Hose, Spring, 0.75d	1	
2	9007552	(002141–004999)	Hose, Fuel [Mixer To Epr, 22.5”L]	1	
3	384971	(002141–004999)	Cover, Hose	1	
4	384979	(002141–004999)	Clamp, Hose, Spring, 0.62d	1	
5	384973	(002141–004999)	Hose, Supply, Gas, .25id	1	
6	384977	(002141–004999)	Regulator [Ep]	1	
7	384978	(002141–004999)	Fitting Kit [Epr]	1	
8	372539	(002141–004999)	Clamp, Hose, 1.0	1	
9	384984	(002141–004999)	Hose [Epr To Manifold]	1	
10	63810	(002141–002253)	Clamp, Hose, Wormdrive, 0.56–1.06d, .56w	3	
11	11442–1	(002141–004999)	Fitting, Hyd, E90, Spcl	1	
12	372529	(002141–004999)	Fitting, Nipple, .25mal	1	
▽	13	9006620	(002141–004999)	Valve, Lock Off [Gm 1.6L 2010]	1
▲	14	9007380	(002141–004999)	Filter Kit, Fuelock, Lpg	1
	14	384986	(002141–004999)	Isolator [Epr]	3
15	07791	(002141–004999)	Nut, Hex, Fing, M8 X 1.25	3	
16	1056300	(002141–004999)	Bracket Wldt, Mtg, Reg, Lpg[Gm 2010]	1	
17	371770	(002141–004999)	Screw	2	
18	371877	(002141–004999)	Washer, Flat, 0.38, Hardened	2	
19	1041151	(002141–004999)	Seal, Org, Sensor, Temp [Epr]	2	
20	1041152	(002141–004999)	Sensor, Temp [Epr]	1	
21	1042772	(002141–004999)	Fitting, Brs, Str, Pf06/Pm04	2	
22	27767	(002141–004999)	Fitting, Brs, Str, Em10/Pm06	1	
23	13048	(002141–002253)	Hose, Heater, 0.62id, 038.0l	1	
24	762282	(002141–002253)	Fitting, Hyd, Plug, Pm06	1	
25	9007553	(002141–004999)	Spring, 3/4 X 16 [Gm1.6L 2010 Lpg]	1	
26	1015547	(002141–004999)	Fitting, Adapter, Orifice, Pf06/Pm06	1	
27	1062116	(002254–004999)	Fitting, Plstc, Tee, Bm10/Bm10/Bm10	1	
28	63810	(002254–004999)	Clamp, Hose, Wormdrive, 0.56–1.06d, .56w	7	
29	51839	(002254–004999)	Fitting, Brs, E90, Em10/Pm06	1	
30	1016560	(002254–004999)	Hose, Afmkt, Rbr, Heater, 0.62id, 02ft	1	

Fig. 19 – GM Engine Air Cleaner Group, Gasoline (000000–001499)

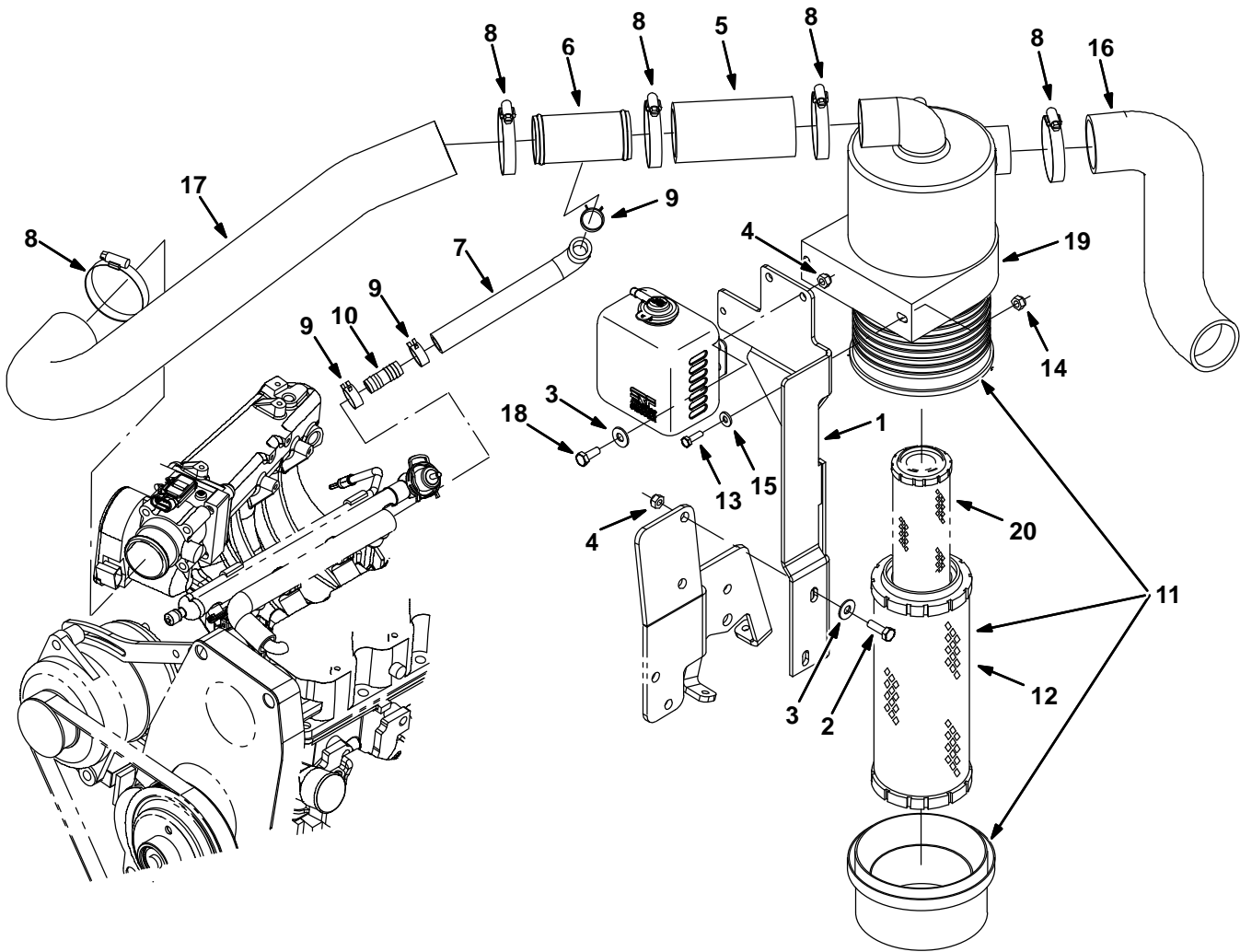


Fig. 19 – GM Engine Air Cleaner Group, Gasoline (000000–001499)

Ref.	Part No.	Serial Number	Description	Qty.	
1	1027856	(000000–001499)	Bracket, Mtg, Fltr, Air	1	
2	39277	(000000–001499)	Screw, Hex, M8 X 1.25 X 25, 8.8	2	
3	32491	(000000–001499)	Washer, Flat, 0.31, Std	4	
4	08709	(000000–001499)	Nut, Hex, Lock, M8 X 1.25, NI	4	
5	15543–2	(000000–001499)	Hose, Rbr, 2.00id 2.50od 05.0l	1	
6	1011780	(000000–001499)	Tube Wldt, Tee	1	
7	1021514	(000000–001499)	Hose, Heater, E90, 0.62id 07.0 2.0	1	
8	14432	(000000–001499)	Clamp, Hose, Wormdrive, 1.81–2.75d, .50w	5	
9	1011899	(000000–001499)	Clamp, Hose, Spring Stl, 0.86d X 0.38w	3	
10	365164	(000000–001499)	Fitting, Plstc, Str, Bm10/Bm10	1	
▽	11	369745	(000000–001499)	Filter Assy, Air	1
▲	12	369746	(000000–001499)	Element, Fltr, Air [Dn]	1
	13	06943	(000000–001499)	Screw, Hex, M6 X 1.0 X 20, 8.8	2
	14	08708	(000000–001499)	Nut, Hex, Lock, M6 X 1.0, NI	2
	15	32483	(000000–001499)	Washer, Flat, 0.25 Sae	2
	16	1020949	(000000–001499)	Hose, Intake, Mold, 2.00id [Epdm]	1
	17	1017978	(000000–001499)	Hose, Intake, Mold, 2.00id, Gas [Epdm]	1
	18	16931	(000000–001499)	Screw, Hex, M8 X 1.25 X 20, 8.8	2
	19	369747	(000000–001499)	Clamp, Mtg, Fltr, Air	1
	20	398279	(000000–001499)	Element, Fltr, Air, Safety (Option)	1

Fig. 20 – GM Engine Air Cleaner Group, Gasoline (001500-004999)

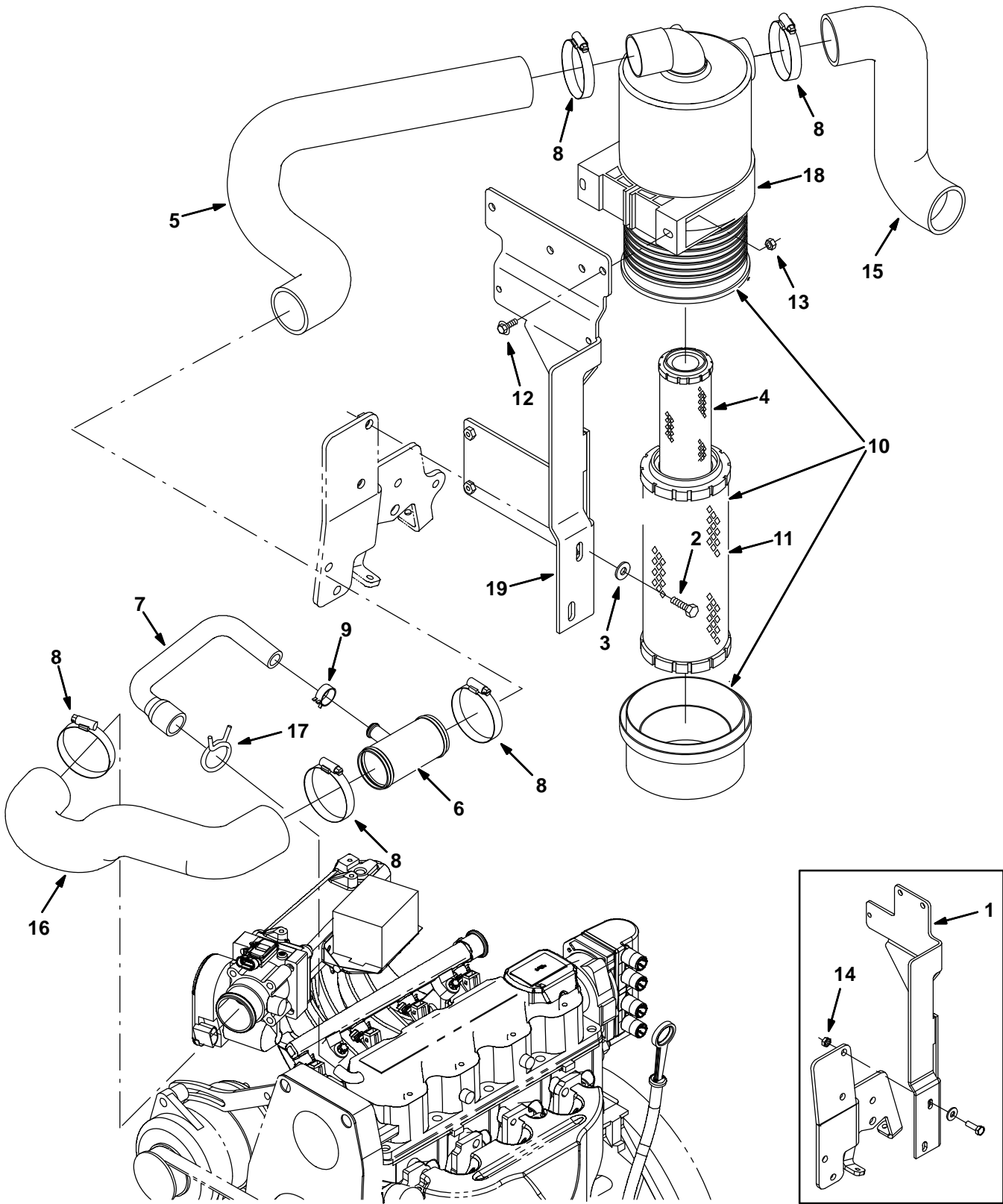


Fig. 20 – GM Engine Air Cleaner Group, Gasoline (001500–004999)

Ref.	Part No.	Serial Number	Description	Qty.	
1	1027856	(001500–002140)	Bracket, Mtg, Fltr, Air	1	
2	39277	(001500–004999)	Screw, Hex, M8 X 1.25 X 25, 8.8	2	
3	32491	(001500–004999)	Washer, Flat, 0.31, Std	2	
4	398279	(001500–004999)	Element, Fltr, Air, Safety (Option)	1	
5	1031614	(001500–004999)	Hose, Intake, Mold, 2.0id [Epdm M20/T20]	1	
6	1011780	(001500–004999)	Tube Wldt, Tee	1	
7	1032323	(001500–004999)	Hose, Vent, E90, 0.62id[Gm1.6l 2007]	1	
8	14432	(001500–004999)	Clamp, Hose, Wormdrive, 1.81–2.75d, .50w	5	
9	1011899	(001500–004999)	Clamp, Hose, Spring Stl, 0.86d X 0.38w	1	
▽	10	369745	(001500–004999)	Filter Assy, Air	1
▲	11	369746	(001500–004999)	Element, Fltr, Air [Dn]	1
	12	1036892	(001500–004999)	Screw, Hex, M6 X 1.00 X 25, 9.8 Sems	2
	13	08708	(001500–004999)	Nut, Hex, Lock, M6 X 1.00, NI	2
	14	08709	(001500–xxxxxx)	Nut, Hex, Lock, M8 X 1.25, NI	2
	15	1020949	(001500–004999)	Hose, Intake, Mold, 2.00id [Epdm]	1
	16	1031609	(001500–004999)	Hose, Intake, Mold, 2.0id, Gas	1
	17	371854	(001500–004999)	Clamp, Spring, 1.50	1
	18	369747	(001500–004999)	Clamp, Mtg, Fltr, Air	1
	19	1056355	(002141–004999)	Bracket, Mtg, Fltr, Air	1

Fig. 21 – GM Engine Air Cleaner Group, LPG (000000–001499)

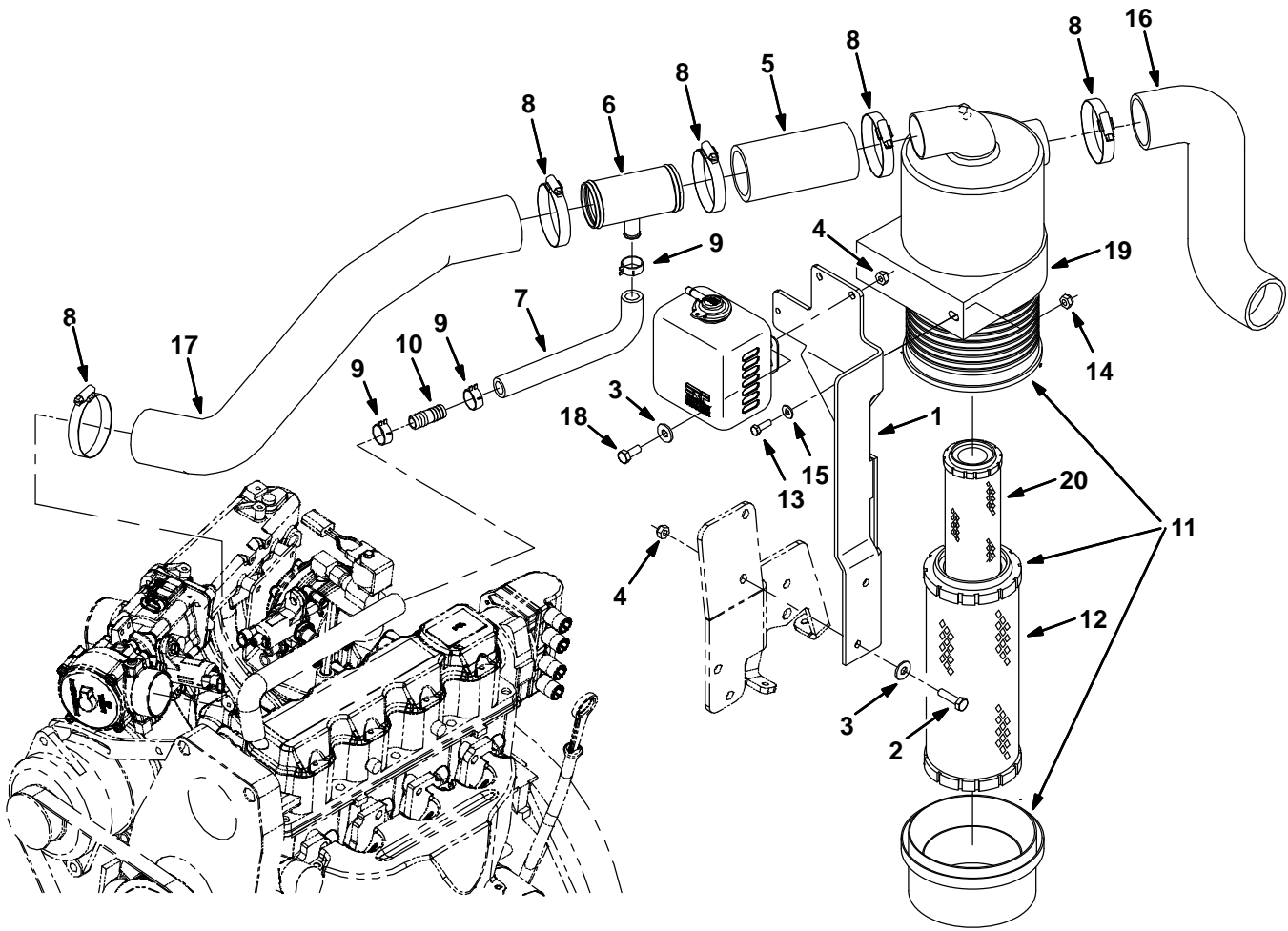


Fig. 21 – GM Engine Air Cleaner Group, LPG (000000–001499)

Ref.	Part No.	Serial Number	Description	Qty.	
1	1027856	(000000–001499)	Bracket, Mtg, Fltr, Air	1	
2	39277	(000000–001499)	Screw, Hex, M8 X 1.25 X 25, 8.8	2	
3	32491	(000000–001499)	Washer, Flat, 0.31, Std	4	
4	08709	(000000–001499)	Nut, Hex, Lock, M8 X 1.25, NI	4	
5	15543–2	(000000–001499)	Hose, Rbr, 2.00id 2.50od 05.0l	1	
6	1011780	(000000–001499)	Tube Wldt, Tee	1	
7	1021514	(000000–001499)	Hose, Heater, E90, 0.62id 07.0 2.0	1	
8	14432	(000000–001499)	Clamp, Hose, Wormdrive, 1.81–2.75d, .50w	5	
9	1011899	(000000–001499)	Clamp, Hose, Spring Stl, 0.86d X 0.38w	3	
10	365164	(000000–001499)	Fitting, Plstc, Str, Bm10/Bm10	1	
▽	11	369745	(000000–001499)	Filter Assy, Air	1
▲	12	369746	(000000–001499)	Element, Fltr, Air [Dn]	1
	13	06943	(000000–001499)	Screw, Hex, M6 X 1.0 X 20, 8.8	2
	14	08708	(000000–001499)	Nut, Hex, Lock, M6 X 1.0, NI	2
	15	32483	(000000–001499)	Washer, Flat, 0.25 Sae	2
	16	1020949	(000000–001499)	Hose, Intake, Mold, 2.00id [Epdm]	1
	17	1017987	(000000–001499)	Hose, Intake, Mold, 2.00id, Lpg [Epdm]	1
	18	16931	(000000–001499)	Screw, Hex, M8 X 1.25 X 20, 8.8	2
	19	369747	(000000–001499)	Clamp, Mtg, Fltr, Air	1
	20	398279	(000000–001499)	Element, Fltr, Air, Safety (Option)	1

Fig. 22 – GM Engine Air Cleaner Group, LPG (001500-004999)

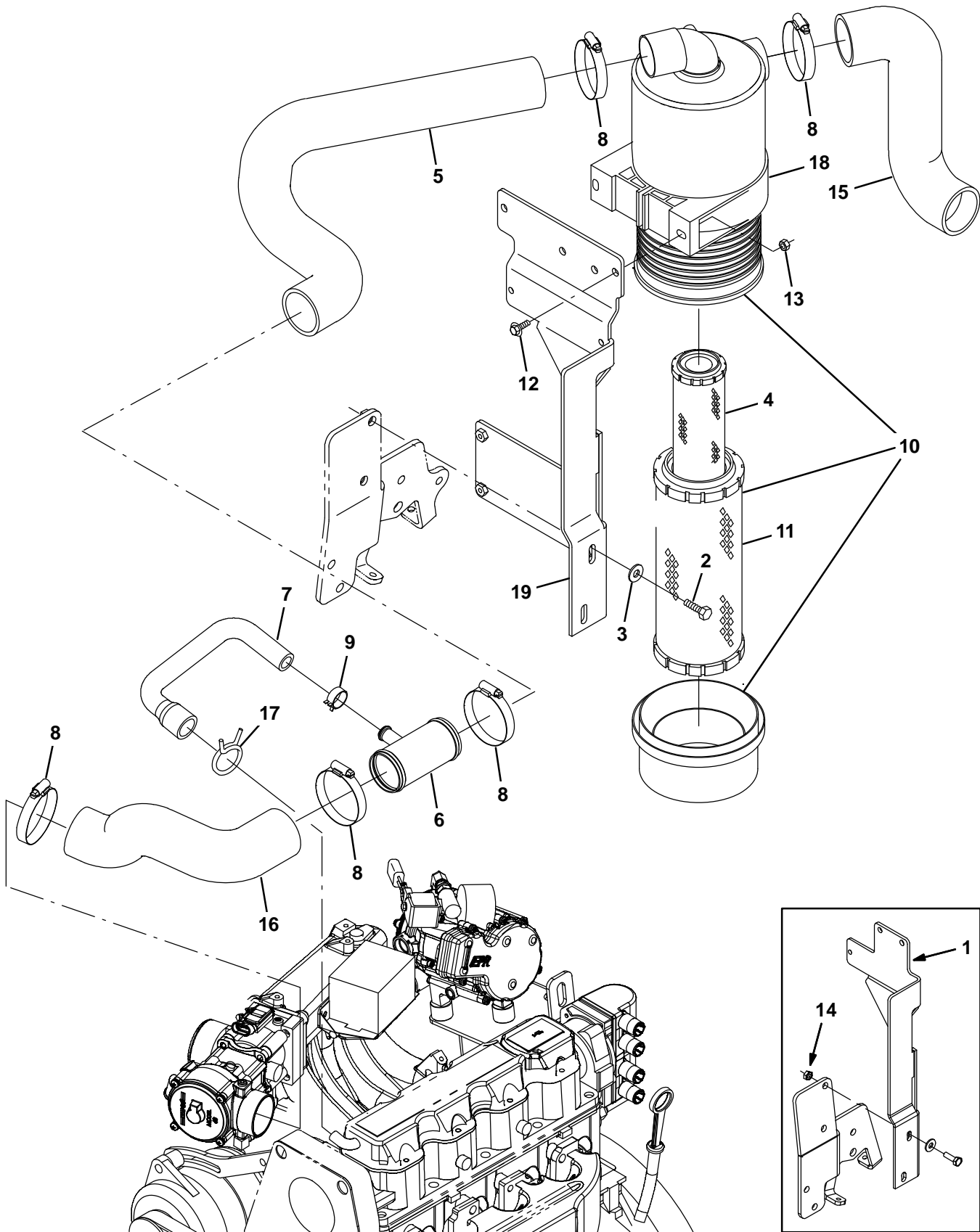


Fig. 22 – GM Engine Air Cleaner Group, LPG (001500–004999)

Ref.	Part No.	Serial Number	Description	Qty.	
1	1027856	(001500–002140)	Bracket, Mtg, Fltr, Air	1	
2	39277	(001500–004999)	Screw, Hex, M8 X 1.25 X 25, 8.8	2	
3	32491	(001500–004999)	Washer, Flat, 0.31, Std	2	
4	398279	(001500–004999)	Element, Fltr, Air, Safety (Option)	1	
5	1031614	(001500–004999)	Hose, Intake, Mold, 2.0id [Epdm M20/T20]	1	
6	1011780	(001500–004999)	Tube Wldt, Tee	1	
7	1032323	(001500–004999)	Hose, Vent, E90, 0.62id[Gm1.6l 2007]	1	
8	14432	(001500–004999)	Clamp, Hose, Wormdrive, 1.81–2.75d, .50w	5	
9	1011899	(001500–004999)	Clamp, Hose, Spring Stl, 0.86d X 0.38w	1	
▽	10	369745	(001500–004999)	Filter Assy, Air	1
▲	11	369746	(001500–004999)	Element, Fltr, Air [Dn]	1
	12	1036892	(001500–004999)	Screw, Hex, M6 X 1.00 X 25, 9.8 Sems	2
	13	08708	(001500–004999)	Nut, Hex, Lock, M6 X 1.00, NI	2
	14	08709	(001500–xxxxxx)	Nut, Hex, Lock, M8 X 1.25, NI	2
	15	1020949	(001500–004999)	Hose, Intake, Mold, 2.00id [Epdm]	1
	16	1031553	(001500–002140)	Hose, Intake, Mold, 2.0id, Lpg	1
	16	1054558	(002141–004999)	Hose, Intake, Mold, 2.0id, Lpg [Gm 2010]	1
	17	371854	(001500–004999)	Clamp, Spring, 1.50	1
	18	369747	(001500–004999)	Clamp, Mtg, Fltr, Air	1
	19	1056355	(002141–004999)	Bracket, Mtg, Fltr, Air	1

STANDARD PARTS

Fig. 23 – GM Engine Alternator and Fan Group (000000–004999)

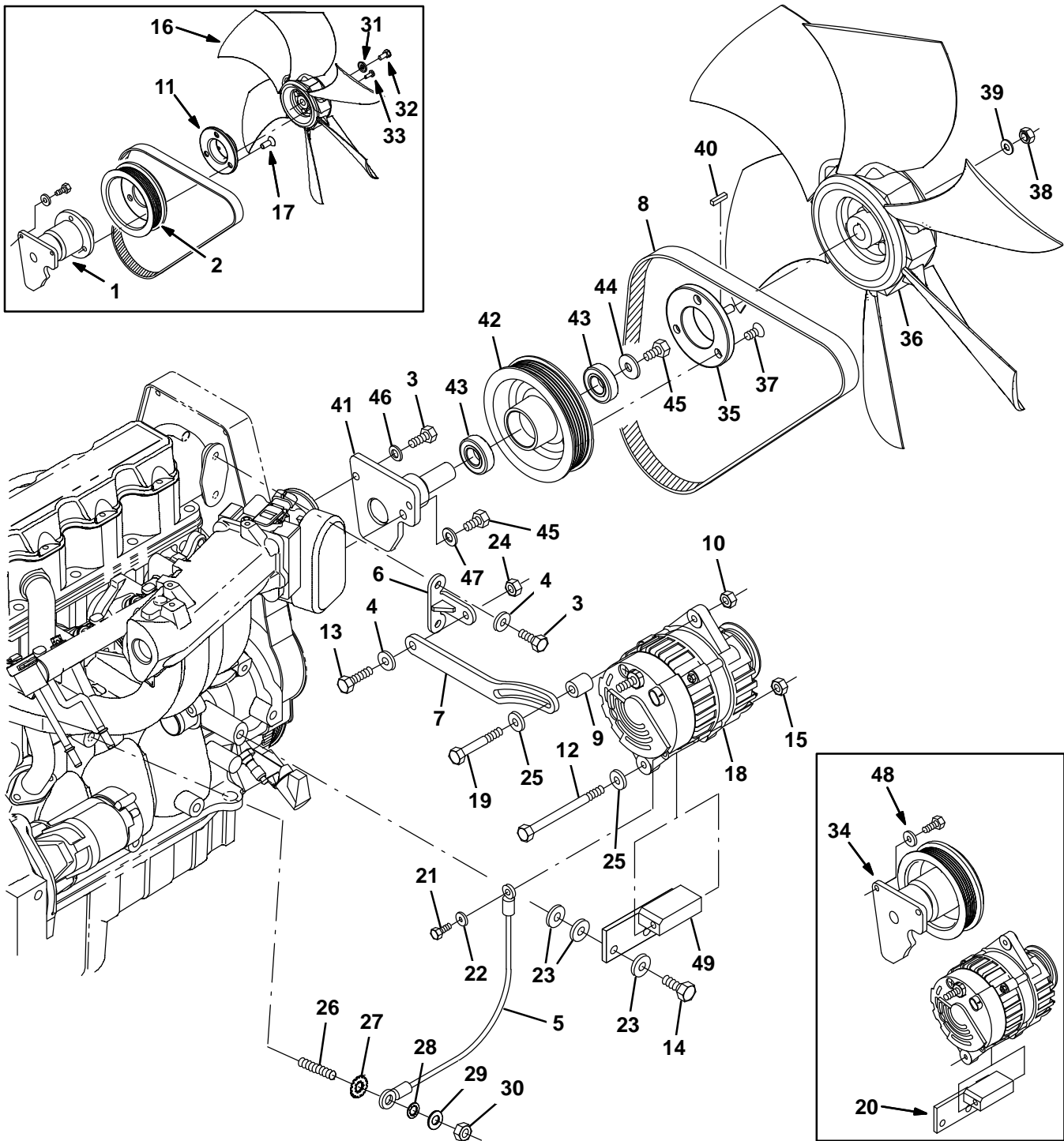


Fig. 23 – GM Engine Alternator and Fan Group (000000–004999)

Ref.	Part No.	Serial Number	Description	Qty.
1	371863	(000000–001499)	Base Assy, Fan, W/O Pulley	1
2	1033428	(000000–001499)	Sheave, 5.00dia [Gm1.6l 2007]	1
3	16931	(000000–004999)	Screw, Hex, M8 X 1.25 X 20, 8.8	4
4	371865	(000000–004999)	Washer, Flat, 0.31, Hardened	5
5	371527	(000000–004999)	Wire, Ground	1
6	371871	(000000–004999)	Bracket, Anchor, Strap, Alternator	1
7	371872	(000000–004999)	Strap, Adj, Alternator	1
8	1033644	(000000–004999)	Belt, Ribbed, 38.5l	1
9	372557	(000000–004999)	Spacer, Strap, Adj, Alternator	1
10	39311	(000000–004999)	Nut, Hex, Std, M8 X 1.25	1
11	1032242	(000000–001499)	Spacer, Fan	1
12	39785	(000000–004999)	Screw, Hex, .31–18 X 4.50, 5	1
13	76958	(000000–004999)	Screw, Hex, .31–18 X 1.75, 5	1
14	06961	(000000–004999)	Screw, Hex, M10 X 1.5 X 20, 8.8	2
15	32983	(000000–004999)	Nut, Hex, Lock, .31–18, NI	1
16	1035031	(000000–001499)	Fan, Cooling, Pusher, 15.5D [2007]	1
17	48998	(000000–001499)	Screw, Flt, .38–16 X 1.00, Al	3
18	393209	(000000–004999)	Alternator, 12vdc 075a [Multi Grv]	1
19	363976	(000000–004999)	Screw, Hex, M8 X 1.25 X 60, 8.8, FI	1
20	9006917	(000000–002140)	Bracket Kit, Alternator, Repair	1
21	42011	(000000–004999)	Screw, Hex, #10–24 X 0.50, Ss	1
22	19066	(000000–004999)	Washer, Flat, #10	1
23	32485	(000000–004999)	Washer, Flat, 0.38 Sae	4
24	19313	(000000–004999)	Nut, Hex, Std, .31–18	1
25	39349	(000000–004999)	Washer, Flat, 0.31 Sae	2
26	384442	(000000–004999)	Stud, M10 X 1.50 [35]	1
27	32988	(000000–004999)	Washer, Lock, Int, 0.38	1
28	41142	(000000–004999)	Washer, Lock, Int–Ext, 0.38	1
29	32485	(000000–004999)	Washer, Flat, 0.38 Sae	1
30	32716	(000000–004999)	Nut, Hex, Jam, M10 X 1.5, Ss	1
31	41186	(000000–001499)	Washer, Flat, Belleville, .31	1
32	16735	(000000–001499)	Screw, Hex, M8 X 1.25 X 16, 8.8	1
33	09145	(000000–001499)	Screw, Pan, M6 X 1.00 X 16, 4.8	3
34	9007088	(001500–002140)	Sheave Assy Kit, Repair	1
35	1035530	(001500–004999)	Spacer, Fan, Taper [2007]	1
36	1035771	(001500–002092)	Fan, Cooling, 15.5d, 6 Blade, .5b Taper	1
36	1046237	(002093–004999)	Fan, Cooling, 16.0d, 6 Blade	1
37	48996	(001500–004999)	Screw, Flt, .38–16 X 0.75, Al	3
38	08709	(001500–004999)	Nut, Hex, Lock, M8 X 1.25, NI	1
39	32491	(001500–004999)	Washer, Flat, 0.31, Std	1
40	00960	(001500–004999)	Key, Sq, 0.12 X 0.12, 0.50l	1
41	1055381	(002141–004999)	Plate Wldt, Fan, Hub [Gm 1.6l]	1
42	1055425	(002141–004999)	Sheave, Mach [Gm1.6l]	1
43	1055377	(002141–004999)	Bearing, Ball, 20mm B 42mm D 12mm W	2
44	1014563	(002141–004999)	Washer, Flat, 0.40b 1.12d .12, Ss	1
45	21195	(002141–004999)	Screw, Hex, .38–16 X 0.75, G5	2
46	39349	(002141–004999)	Washer, Flat, 0.31, Sae	2
47	32485	(002141–004999)	Washer, Flat, 0.38, Sae	1
48	371865	(000000–002140)	Washer, Flat, 0.31, Hardened	2
49	1008640	(002141–004999)	Bracket Wldt, Alternator, Lower [Gm1.6l]	1

Fig. 24 – GM Engine Muffler Group (000000–001499)

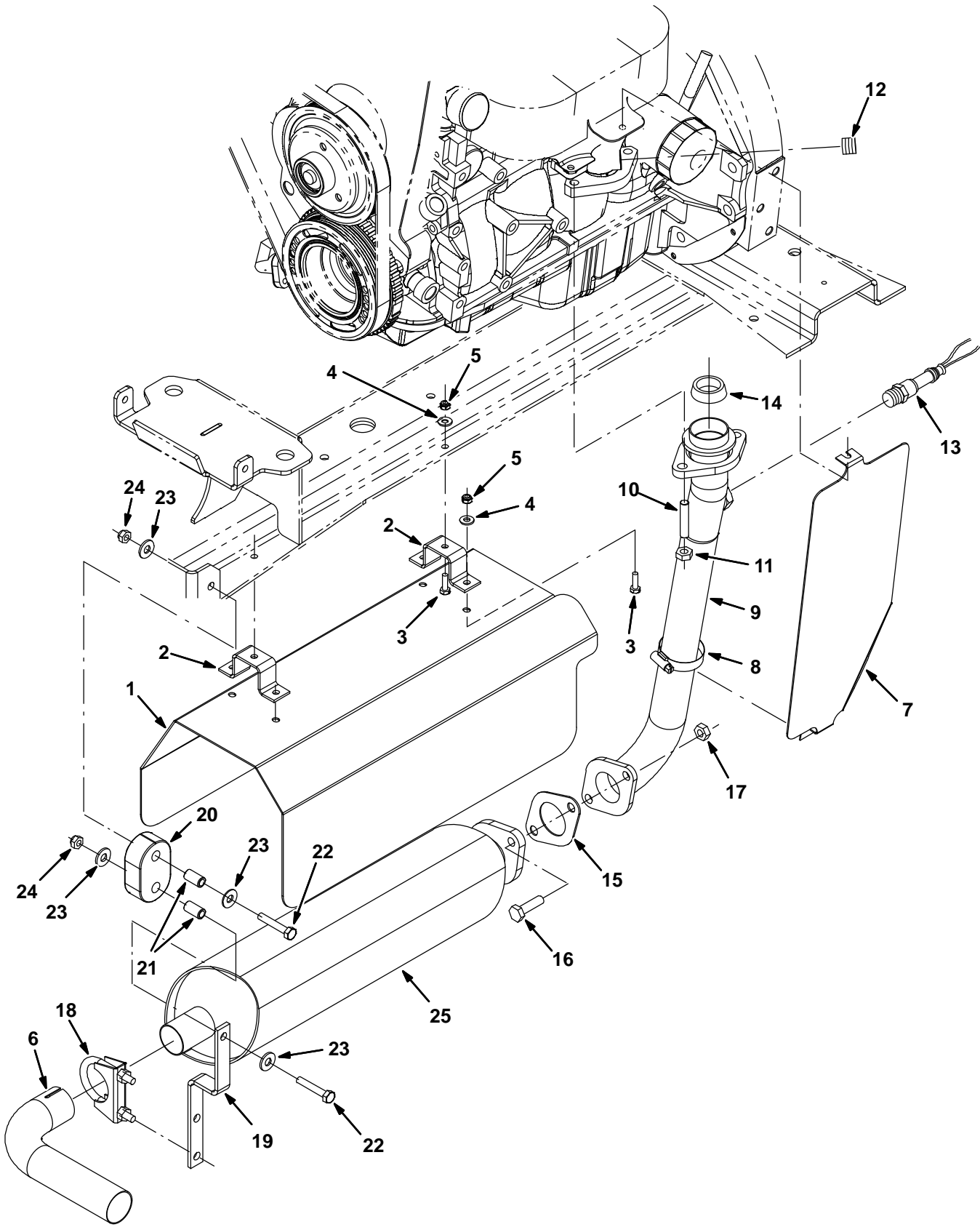


Fig. 24 – GM Engine Muffler Group (000000–001499)

Ref.	Part No.	Serial Number	Description	Qty.
1	1020602	(000000–001499)	Channel, Shield, Muffler	1
2	1022113	(000000–001499)	Bracket, Retainer, Shield, Heat	2
3	08716	(000000–001499)	Screw, Hex, M6 X 1.0 X 20, Ss	6
4	32483	(000000–001499)	Washer, Flat, 0.25 Sae	6
5	08712	(000000–001499)	Nut, Hex, Lock, M6 X 1.0, Ss, NI	6
6	1021789	(000000–001499)	Tube, Exhaust, 1.5d	1
7	9002394	(000000–001499)	Plate, Shield, Heat, Gas/Lpg, Replmt	1
8	79381	(000000–001499)	Clamp, Hose, Wormdrive, 1.25–2.00D, .50W	1
9	1018142	(000000–001499)	Tube Wldt, Exhaust, Gas/Lpg	1
10	384442	(000000–001499)	Stud, M10 X 1.50 [35]	2
11	08166	(000000–001499)	Nut, Hex, M10 X 1.50 [Stover]	2
12	371860	(000000–001499)	Fitting, Pipe, Plug, Metric, M18,Soc	1
13	372491	(000000–001499)	Sensor, Oxygen	1
14	371861	(000000–001499)	Gasket, Flng, Pipe, Exhaust	1
15	1011216	(000000–001499)	Gasket, Exhaust, 2hole, 3.4bc	1
16	39284	(000000–001499)	Screw, Hex, M10 X 1.5 X 35, 8.8	2
17	08166	(000000–001499)	Nut, Hex, M10 X 1.5 [Stover]	2
18	24012	(000000–001499)	Clamp, Muffler, 1.62d	1
19	1017969	(000000–001499)	Bracket, Muffler, Hanger, Front	1
20	1013031	(000000–001499)	Isolator, Rbr	1
21	222496	(000000–001499)	Sleeve, P/M, 0.31b 0.50d 0.9l [430ss]	2
22	222505	(000000–001499)	Screw, Hex, M8 X 1.25 X 45, Ss	2
23	01685	(000000–001499)	Washer, Flat, 0.31, Ss	4
24	08713	(000000–001499)	Nut, Hex, Lock, M8 X 1.25, NI, Ss	2
25	1022794	(000000–001499)	Muffler, Short [Non–Catalytic Gm1.6/3.0]	1
25	1016624	(000000–001499)	Muffler, Catalytic [Gm 1.6]	1

Fig. 25 – GM Engine Muffler Group (001500–004999)

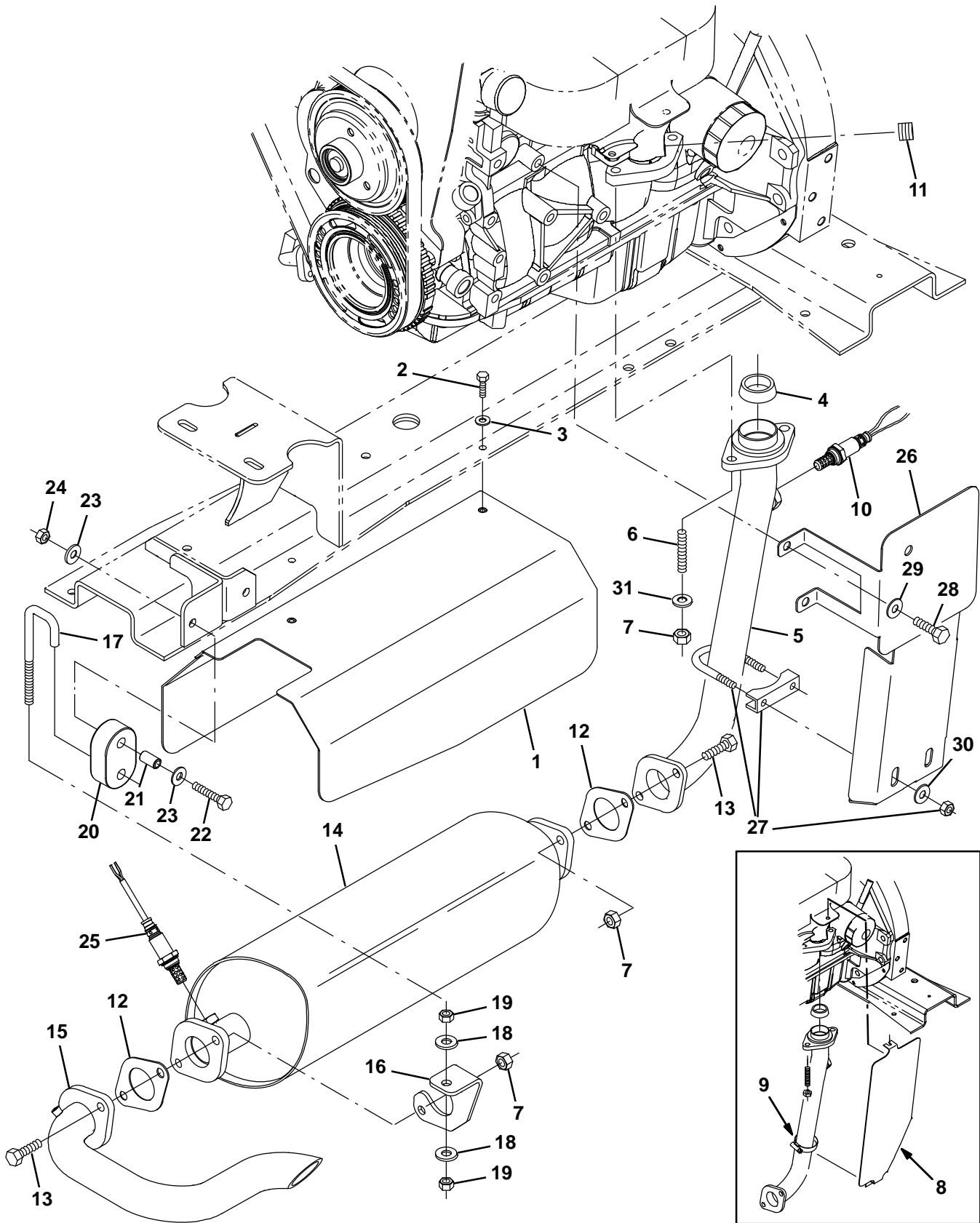


Fig. 25 – GM Engine Muffler Group (001500–004999)

Ref.	Part No.	Serial Number	Description	Qty.
1	1028994	(001500–004999)	Channel, Shield, Muffler [M20/T20 2007]	1
2	08716	(001500–004999)	Screw, Hex, M6 X 1.0 X 20, Ss	2
3	32483	(001500–004999)	Washer, Flat, 0.25, Sae	2
4	371861	(001500–004999)	Gasket, Flng, Pipe, Exhaust	1
5	9012597	(001500–004999)	Pipe Kit, Exhaust, Replmt [M20.T20, M30]	1
6	384442	(001500–004999)	Stud, M10 X 1.50 [35]	2
7	08166	(001500–004999)	Nut, Hex, M10 X 1.50 [Stover]	6
8	9002394	(001500–001635)	Plate, Shield, Heat, Gas/Lpg, Replmt	1
9	79381	(001500–001635)	Clamp, Hose, Wormdrive, 1.25–2.00D, .50W	1
10	1028559	(001500–002140)	Sensor, Oxygen [Gm 1.6L/3.0L 2007]	1
10	1028558	(002141–004999)	Sensor, Exhaust, Tailpipe	1
11	371860	(001500–004999)	Fitting, Pipe, Plug, Metric, M18,Soc	1
12	1011216	(001500–004999)	Gasket, Exhaust, 2hole, 3.4bc	2
13	39284	(001500–004999)	Screw, Hex, M10 X 1.5 X 35, 8.8	4
14	1028136	(001500–002140)	Muffler, Catalytic [Gm 1.6l 2007]	1
14	1056241	(002141–004999)	Muffler, Catalytic [Gm 1.6l 2010]	1
15	1028753	(001500–004999)	Tube, Exhaust, Flng, 1.5d [M20/T20 2007]	1
16	1028929	(001500–004999)	Bracket, Mtg, Muffler [M20/T20 2007]	1
17	1013117	(001500–004999)	Rod, Hanger, Isolator	1
18	32492	(001500–004999)	Washer, Flat, 0.38, Std	2
19	25014	(001500–004999)	Nut, Hex, Std, .38–16	2
20	1013031	(001500–004999)	Isolator, Rbr	1
21	222496	(001500–004999)	Sleeve, P/M, 0.31b 0.50d 0.9l [430ss]	1
22	222505	(001500–004999)	Screw, Hex, M8 X 1.25 X 45, Ss	1
23	01685	(001500–004999)	Washer, Flat, 0.38b 0.88d .08, Ss	2
24	08713	(001500–004999)	Nut, Hex, Lock, M8 X 1.25, NI, Ss	1
25	1028558	(001500–004999)	Sensor, Exhaust, Tailpipe	1
26	9003832	(001636–004999)	Shield, Heat, Gas/Lpg, Replmt	1
26	9004983	(001636–004999)	Shield, Heat, Gas/Lpg, Replmt (Japan Only)	1
27	24012	(001636–004999)	Clamp, Muffler, 1.62d	1
28	06961	(001636–004999)	Screw, Hex, M10 X 1.50 X 20, 8.8	2
29	32485	(001636–004999)	Washer, Flat, 0.38, Sae	2
30	32491	(001636–004999)	Washer, Flat, 0.31, Std	2
31	41187	(001500–004999)	Washer, Flat, Belleville, .38	2

Fig. 26 – GM Engine Radiator Group (000000-002092)

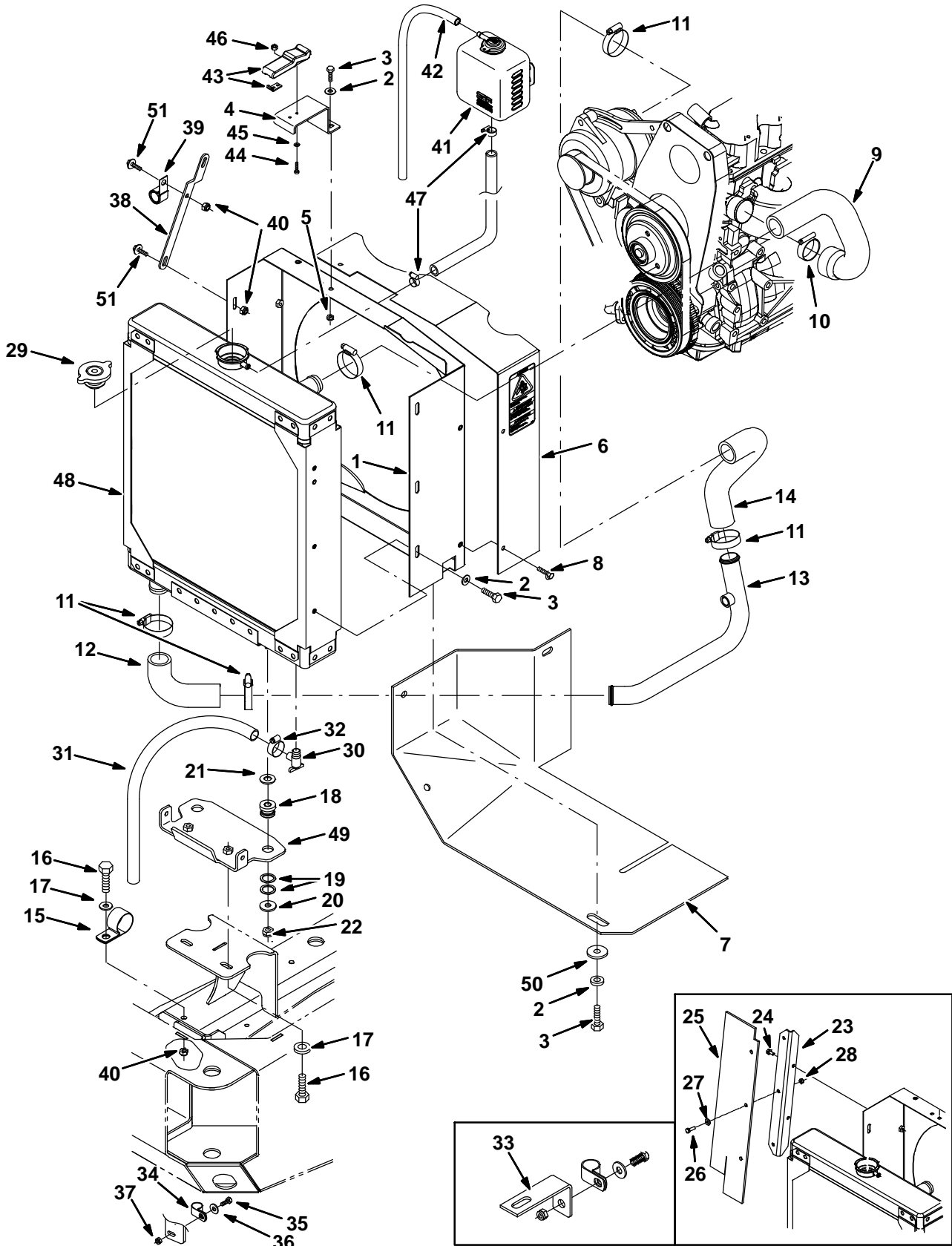


Fig. 26 – GM Engine Radiator Group (000000–002092)

Ref.	Part No.	Serial Number	Description	Qty.
1	1038499	(000000–002092)	Panel Wldt, Shrd, Fan	1
2	32490	(000000–002092)	Washer, Flat, 0.25 Std	11
3	06942	(000000–002092)	Screw, Hex, M6 X 1.0 X 16, 8.8	13
4	1018463	(000000–002092)	Bracket, Mtg, Latch	1
5	08708	(000000–002092)	Nut, Hex, Lock, M6 X 1.0, NI	5
6	9003997	(000000–002092)	Plate, Guard, Fan Shrd, Gas/Lpg, Replmt	1
7	1035222	(000000–002092)	Skirt, Debris, Eng Radiator	1
8	74455	(000000–002092)	Screw, Hex, M6 X 1.0 X 12, Fmg	3
9	1011799	(000000–002092)	Hose, Radiator, Upper, Mold	1
10	22297	(000000–002092)	Clamp, Hose, Wormdrive, 1.56–2.50d, .50w	1
11	79381	(000000–002092)	Clamp, Hose, Wormdrive, 1.25–2.00D, .50W	7
12	1007482	(000000–002092)	Hose, Rbr, E90 1.25id 1.25id 04.2 03.1	1
13	1019273	(000000–002092)	Tube, Coolant, Lower, 1.3d	1
14	1019265	(000000–002092)	Hose, Radiator, Lower, Mold	1
15	53466	(000000–002092)	Clamp, Cable, Stl, 1.50d X 1.00w, 1h	1
16	39277	(000000–002092)	Screw, Hex, M8 X 1.25 X 25, 8.8	3
17	32491	(000000–002092)	Washer, Flat, 0.31, Std	3
18	54274	(000000–002092)	Isolator, Vib, Bshg, 1.1d 0.6l .4b 0.78h	2
19	09832	(000000–002092)	Washer, Flat, 0.81b 1.06d .06, Stl	4
20	1014563	(000000–002092)	Washer, Flat, 0.40b 1.12d .12, Ss	2
21	32486	(000000–002092)	Washer, Flat, 0.50 Sae	2
22	41430	(000000–002092)	Nut, Hex, Lock, M10 X 1.5, NI	2
23	1027099	(000000–001013)	Plate, Mtg, Seal	1
24	74455	(000000–001013)	Screw, Hex, M6 X 1.0 X 12, Fmg	2
25	1027103	(000000–001013)	Seal, Radiator	1
26	06943	(000000–002092)	Screw, Hex, M6 X 1.0 X 20, 8.8	4
27	32483	(000000–001013)	Washer, Flat, 0.25 Sae	3
28	08708	(000000–001013)	Nut, Hex, Lock, M6 X 1.0, NI	3
29	1045764	(000000–002092)	Cap, Radiator, 14psi [Stant Ao–2516]	1
30	51305	(000000–002092)	Fitting, Draincock, E90, .25npt	1
31	73471	(000000–002092)	Hose, Pvc, Clr, 0.38id 0.56od 22.00l	1
32	43844	(000000–002092)	Clamp, Hose, Wormdrive, 0.25–0.62d, .31w	1
33	1026003	(000000–001602)	Bracket, Ftg, Bh	1
34	67767	(000000–002092)	Clamp, Cable, Stl, 0.69d X 0.62w, 1h	1
35	09740	(000000–002092)	Screw, Hex, M8 X 1.25 X 20, Ss	1
36	01685	(000000–002092)	Washer, Flat, 0.31, Ss	1
37	08713	(000000–002092)	Nut, Hex, Lock, M8 X 1.25, NI, Ss	1
38	1019968	(000000–002092)	Bracket, Mtg, Radiator	1
39	30407	(000000–002092)	Clip, Keeper, Open	1
40	08709	(000000–002092)	Nut, Hex, Lock, M8 X 1.25, NI	4
41	1023853	(000000–002092)	Tank, Coolant, 04.7 03.3 4.7deep, 1liter	1
42	1015041	(000000–002092)	Hose, Afmkt, Coolant Recvy, 05ft	1
43	49800	(000000–002092)	Latch	1
44	06927	(000000–002092)	Screw, Pan, M4 X 0.70 X 16, 4.8	2
45	19064	(000000–002092)	Washer, Flat, #06	2

STANDARD PARTS

Fig. 26 – GM Engine Radiator Group (000000–002092)

Ref.	Part No.	Serial Number	Description	Qty.
46	02850	(000000–002092)	Nut, Hex, Lock, M4 X 0.7, NI	2
47	43844	(000000–002092)	Clamp, Hose, Wormdrive, 0.25–0.62d, .31w	2
48	1018059	(000000–001719)	Radiator (Replaced by 1045316)	1
48	1041291	(001720–002092)	Radiator	1
49	1035976	(001036–002092)	Bracket, Sppt, Radiator, Upper	1
50	41178	(000000–002092)	Washer, Flat, 0.25, Fendr	3
51	1040467	(000000–002092)	Screw, Hex, M6 X 1.0 X 20, 9.8, Sems	2

STANDARD PARTS

Fig. 27 – GM Engine Radiator and Mount Group (002093–004999)

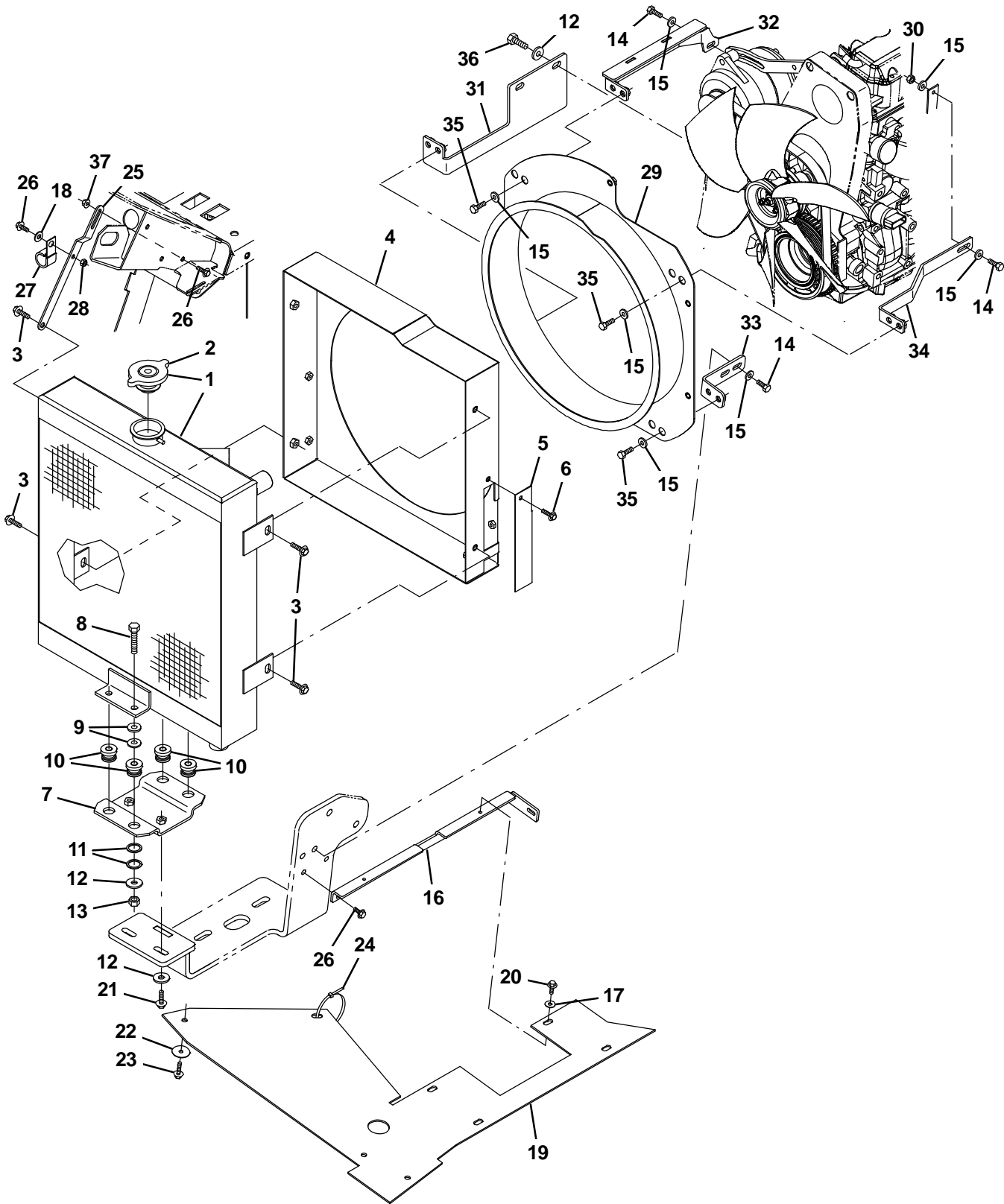


Fig. 27 – GM Engine Radiator and Mount Group (002093–004999)

Ref.	Part No.	Serial Number	Description	Qty.
▽	1	1045940	(002093–004999) Radiator, W/ Hyd Cooler [Side X Side]	1
▲	2	1045764	(002093–004999) Cap, Radiator, 14Psi [Stant]	1
	3	1037346	(002093–004999) Screw, Hex, M8 X 1.25 X 25, 9.8, Sems	4
	4	9006811	(002093–004999) Shrd Wldt,Fan,G/Lp, Replmt [M20/M30/T20]	1
	4	9006813	(002093–004999) Shrd Wldt,Fan,G/Lp, Replmt [TJ] (Japan Only)	1
	5	1045433	(002093–004999) Bracket, Cover	1
	6	1036892	(002093–004999) Screw, Hex, M6 X 1.00 X 25, 9.8 Sems	2
	7	1046962	(002093–004999) Bracket, Mtg, Radiator	1
	8	06962	(002093–004999) Screw, Hex, M10 X 1.50 X 45, 8.8	4
	9	32492	(002093–004999) Washer, Flat, 0.38, Std	8
	10	54274	(002093–004999) Isolator, Vib, Bshg, 1.1d 0.6l .4b 0.78h	4
	11	09832	(002093–004999) Washer, Flat, 0.81b 1.06d .06, Stl	8
	12	1014563	(002093–004999) Washer, Flat, 0.40b 1.12d .12, Ss	6
	13	41430	(002093–004999) Nut, Hex, Lock, M10 X 1.5, NI	4
	14	39277	(002093–004999) Screw, Hex, M8 X 1.25 X 25, 8.8	4
	15	32491	(002093–004999) Washer, Flat, 0.31, Std	12
	16	1043897	(002093–004999) Bracket, Skirt, Rbr	1
	17	32483	(002093–004999) Washer, Flat, 0.25, Sae	2
	18	32490	(002093–004999) Washer, Flat, 0.25, Std	2
	19	1052170	(002093–004999) Skirt, Eng Fan, Gas / Lp	1
	20	361339	(002093–004999) Screw, Hex, M6 X 1.00 X 16, Fmg	2
	21	1037355	(002093–004999) Screw, Hex, M8 X 1.25 X 35, 9.8, Sems	2
	22	41178	(002093–004999) Washer, Flat, 0.25, Fendr	3
	23	1036892	(002093–004999) Screw, Hex, M6 X 1.00 X 25, 9.8 Sems	3
	24	49266	(002093–004999) Tie, Cable, Nyl, 07.3l .19w 1.8 Max D	1
	25	1019968	(002093–004999) Bracket, Mtg, Radiator	1
	26	1040467	(002093–004999) Screw, Hex, M6 X 1.00 X 20, 9.8, Sems	4
	27	30407	(002093–004999) Clip, Keeper, Open	1
	28	08708	(002093–004999) Nut, Hex, Lock, M6 X 1.00, NI	1
	29	1046039	(002093–004999) Shroud Wldt, Fan, 16.25d [Side X Side]	1
	30	08165	(003039–004999) Nut, Hex, Stover, M8 X 1.25	1
	31	1045419	(002093–004999) Bracket, Fan, Rh	1
	32	1045530	(002093–004999) Bracket Wldt, Mtg, Fan, Upper	1
	33	1045415	(002093–004999) Bracket, Fan, Lh	1
	34	1045447	(002093–004999) Bracket, Fan, Upper, Lh	1
	35	16931	(002093–004999) Screw, Hex, M8 X 1.25 X 20, 8.8	9
	36	39283	(002093–004999) Screw, Hex, M10 X 1.50 X 25, 8.8	2
	37	07790	(002093–004999) Nut, Hex, Flng, M6 X 1.00	1

STANDARD PARTS

Fig. 28 – GM Engine Radiator Hose Group (002093–004999)

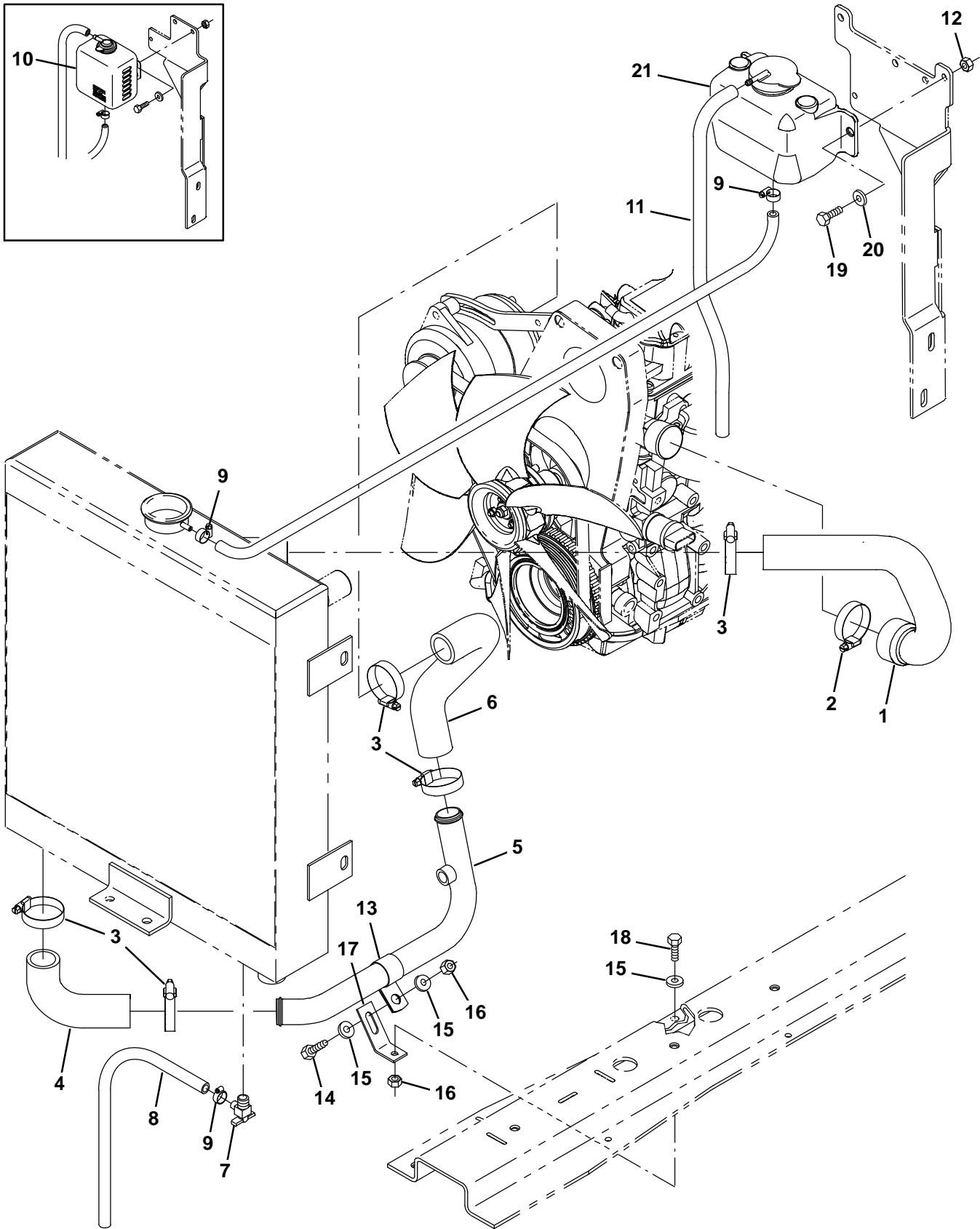


Fig. 28 – GM Engine Radiator Hose Group (002093–004999)

Ref.	Part No.	Serial Number	Description	Qty.
1	1014747	(002093–004999)	Hose, Coolant, Mold, 1.25id To 1.62id	1
2	22297	(002093–004999)	Clamp, Hose, Wormdrive, 1.56–2.50d, .50w	1
3	79381	(002093–004999)	Clamp, Hose, Wormdrive, 1.25–2.00d, .50w	5
4	1007482	(002093–004999)	Hose, Rbr, E90, 1.25id 1.25id 04.2 03.1	1
5	1043322	(002093–004999)	Tube, Coolant, 1.3d, Lower	1
6	1019265	(002093–004999)	Hose, Radiator, Lower, Mold	1
7	51305	(002093–004999)	Fitting, Draincock, E90, .25npt	1
8	73471	(002093–004999)	Hose, Pvc, Clr, 0.38id 0.56od 022.0l	1
9	43844	(002093–004999)	Clamp, Hose, Wormdrive, 0.25–0.62d, .31w	3
10	1023853	(002093–002140)	Tank, Coolant, 03.30w 4.7hi 04.7l, 1liter	1
11	1015041	(002093–002140)	Hose, Afmkt, Coolant Recvy, 05ft	1
11	87738	(002141–004999)	Hose, Fuel, 0.18id, 29.0l	1
12	08709	(002093–004999)	Nut, Hex, Lock, M8 X 1.25, NI	2
13	58366	(002093–004999)	Clamp, Cable, Stl, 1.25d X 1.00w, 1hole	1
14	09010	(002093–004999)	Screw, Hex, M8 X 1.25 X 25, Ss	1
15	01685	(002093–004999)	Washer, Flat, 0.38b 0.88d .08, Ss	3
16	08713	(002093–004999)	Nut, Hex, Lock, M8 X 1.25, NI, Ss	2
17	1035214	(002093–004999)	Bracket, Tube, Coolant	1
18	09740	(002093–004999)	Screw, Hex, M8 X 1.25 X 20, Ss	1
19	16931	(002093–004999)	Screw, Hex, M8 X 1.25 X 20, 8.8	2
20	32491	(002093–004999)	Washer, Flat, 0.31, Std	2
21	1054382	(002141–004999)	Tank, Coolant, 03.6w 04.1hi 05.5l, 1liter	1

Fig. 29 – Mitsubishi Engine and Mount Group, Gas (005000–)

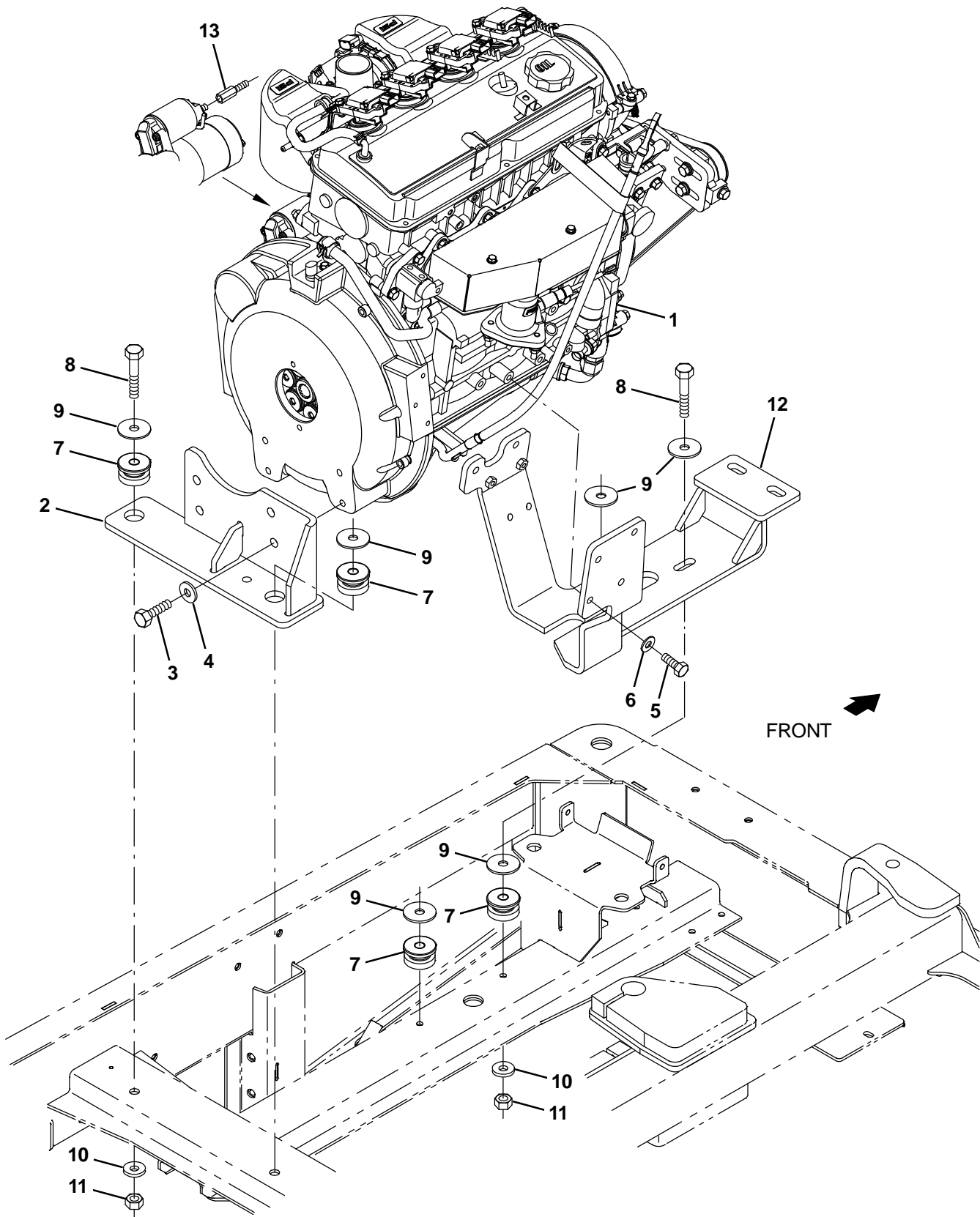


Fig. 29 – Mitsubishi Engine and Mount Group, Gas (005000–)

	Ref.	Part No.	Serial Number	Description	Qty.
▽	1	1071155	(005000–)	Engine, Gas [Mitsubishi] (See Engine Breakdown)	1
▲		9010627	(005000–)	Filter, Oil (Mits)	1
	2	1070756	(005000–)	Bracket Wldt, Mtg, Eng, Rear [Mit 2013]	1
	3	06968	(005000–)	Screw, Hex, M12 X 1.75 X 35, 8.8	4
	4	32486	(005000–)	Washer, Flat, 0.50 Sae	4
	5	07299	(005000–)	Screw, Hex, M10 X 1.25 X 25, 8.8	6
	6	32485	(005000–)	Washer, Flat, 0.38 Sae	6
	7	51176	(005000–)	Isolator, Vib, .50d	4
	8	06972	(005000–)	Screw, Hex, M12 X 1.75 X 60, 8.8	4
	9	04414	(005000–)	Washer, Flat, 0.53b 1.88d .12, Stl, PI	4
	10	32493	(005000–)	Washer, Flat, 0.50 Std	3
	11	08711	(005000–)	Nut, Hex, Lock, M12 X 1.75,NI	3
	12	1070751	(005000–)	Bracket Wldt, Mtg, Engine [Mit 2013]	1
	13	1072669	(005000–)	Stand-Off, Hex, M8 X M8, Metal	1

Fig. 30 – Mitsubishi Engine and Mount Group, LPG (005000–)

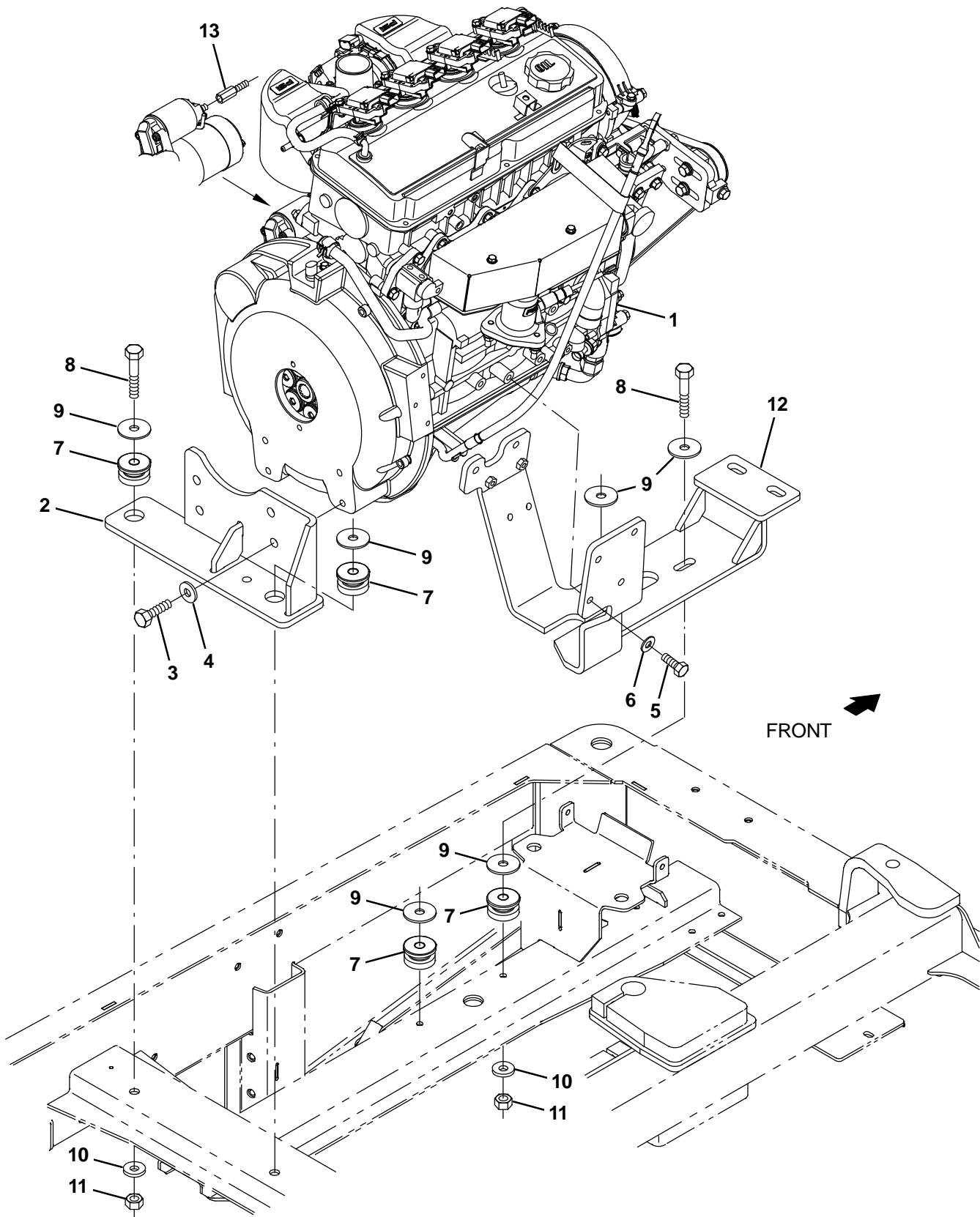


Fig. 30 – Mitsubishi Engine and Mount Group, LPG (005000–)

Ref.	Part No.	Serial Number	Description	Qty.
▽ 1	1070348	(005000–)	Engine, LPG [Mitsubishi] (See Engine Breakdown)	1
▲	9010627	(005000–)	Filter, Oil (Mits)	1
2	1070756	(005000–)	Bracket Wldt, Mtg, Eng, Rear [Mit 2013]	1
3	06968	(005000–)	Screw, Hex, M12 X 1.75 X 35, 8.8	4
4	32486	(005000–)	Washer, Flat, 0.50 Sae	4
5	07299	(005000–)	Screw, Hex, M10 X 1.25 X 25, 8.8	6
6	32485	(005000–)	Washer, Flat, 0.38 Sae	6
7	51176	(005000–)	Isolator, Vib, .50d	4
8	06972	(005000–)	Screw, Hex, M12 X 1.75 X 60, 8.8	4
9	04414	(005000–)	Washer, Flat, 0.53b 1.88d .12, Stl, PI	4
10	32493	(005000–)	Washer, Flat, 0.50 Std	3
11	08711	(005000–)	Nut, Hex, Lock, M12 X 1.75,NI	3
12	1070751	(005000–)	Bracket Wldt, Mtg, Engine [Mit 2013]	1
13	1072669	(005000–)	Stand-Off, Hex, M8 X M8, Metal	1

Fig. 31 – Mitsubishi Engine EFI Group, Gasoline (005000-)

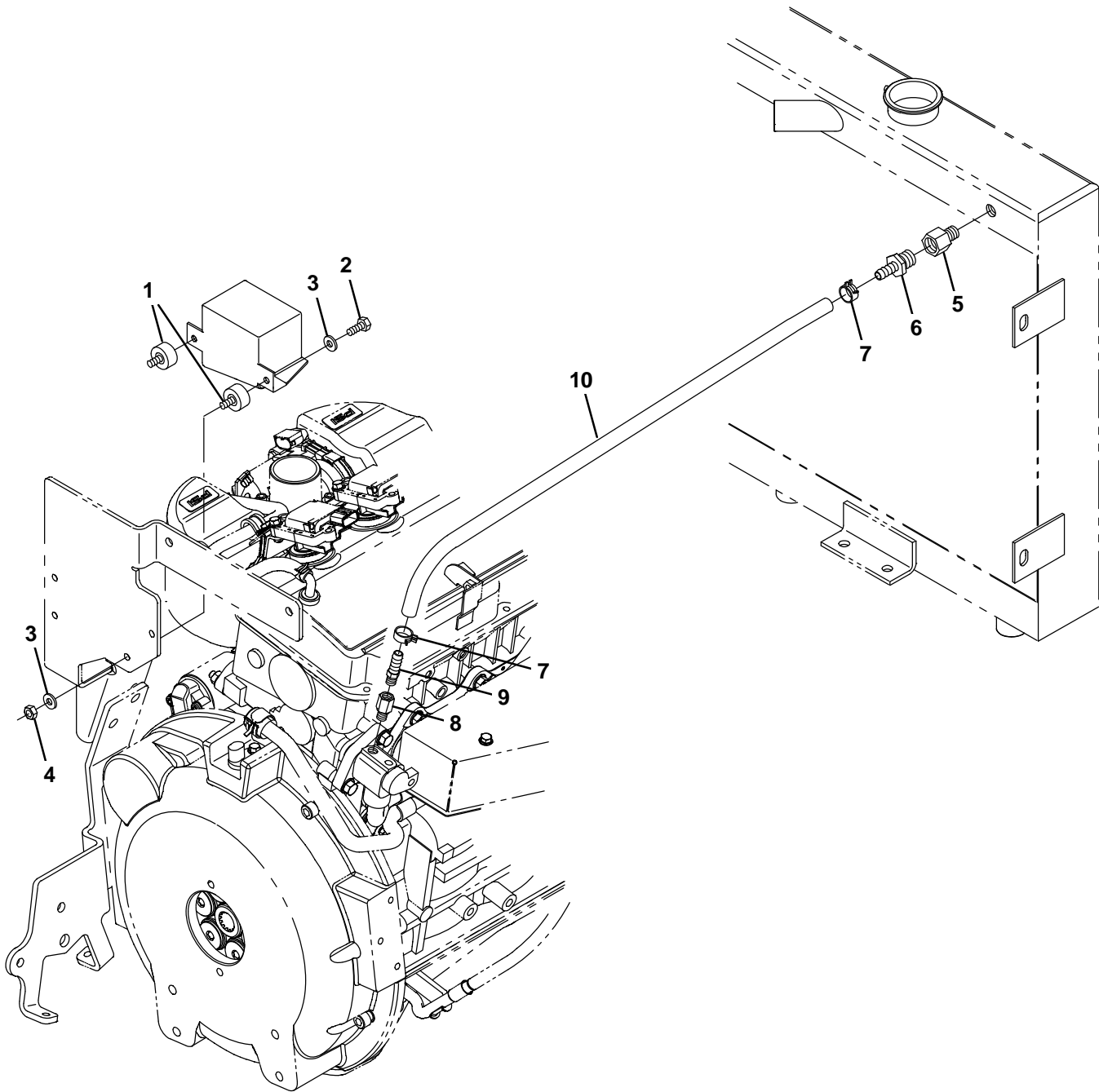


Fig. 31 – Mitsubishi Engine EFI Group, Gasoline (005000–)

Ref.	Part No.	Serial Number	Description	Qty.
1	372470	(005000–)	Isolator, Box, Relay	2
2	19315	(005000–)	Screw, Hex, .25–20 X 0.50, G5	2
3	32490	(005000–)	Washer, Flat, 0.25, Std	4
4	19312	(005000–)	Nut, Hex, Std, .25–20	2
5	1071440	(005000–)	Fitting, Brs, Str, Pf06/Pm04	1
6	36159	(005000–)	Fitting, Brs, Str, Bm06/Pm06	1
7	1072559	(005000–)	Clamp, Hose, Spring Stl, 0.58d X 0.31w	2
8	1071502	(005000–)	Fitting, Brs, Str, Pf02/Pm02 [Bspt]	1
9	1055552	(005000–)	Fitting, Brs, Str, Bm06/Pm02	1
10	1072408	(005000–)	Hose, Afmkt, Rbr, Heater, 0.38id, 03ft	1

Fig. 32 – Mitsubishi Engine EFI Group, LPG (005000–)

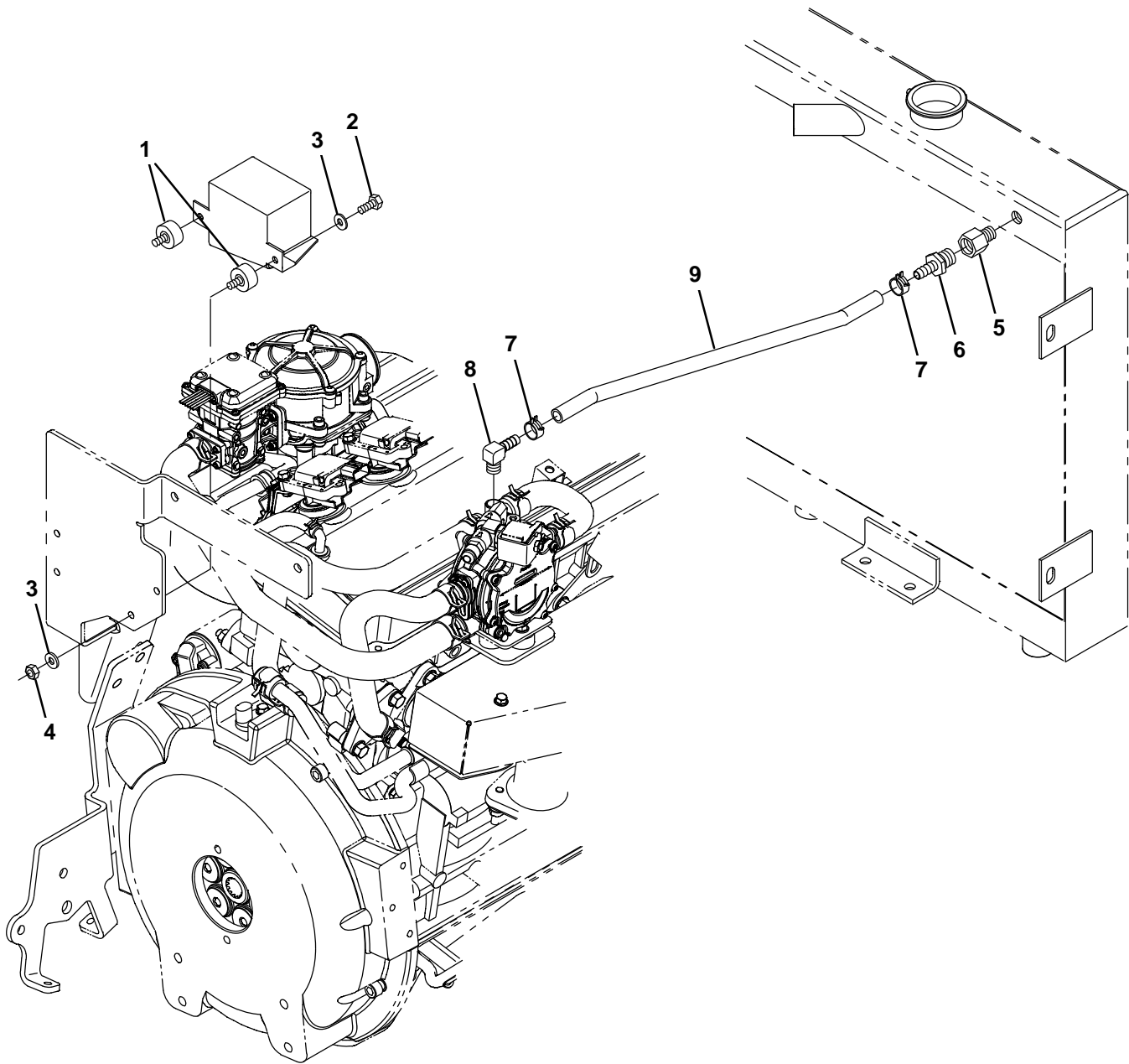


Fig. 32 – Mitsubishi Engine EFI Group, LPG (005000–)

Ref.	Part No.	Serial Number	Description	Qty.
1	372470	(005000–)	Isolator, Box, Relay	2
2	19315	(005000–)	Screw, Hex, .25–20 X 0.50, G5	2
3	32490	(005000–)	Washer, Flat, 0.25, Std	4
4	19312	(005000–)	Nut, Hex, Std, .25–20	2
5	1071440	(005000–)	Fitting, Brs, Str, Pf06/Pm04	1
6	36159	(005000–)	Fitting, Brs, Str, Bm06/Pm06	1
7	1072559	(005000–)	Clamp, Hose, Spring Stl, 0.58d X 0.31w	2
8	1015815	(005000–)	Fitting, Brs, E90, Bm06/Pm04	1
9	1072408	(005000–)	Hose, Afmkt, Rbr, Heater, 0.38id, 03ft	1

Fig. 33 – Mitsubishi Engine Air Cleaner Group, Gasoline (005000–)

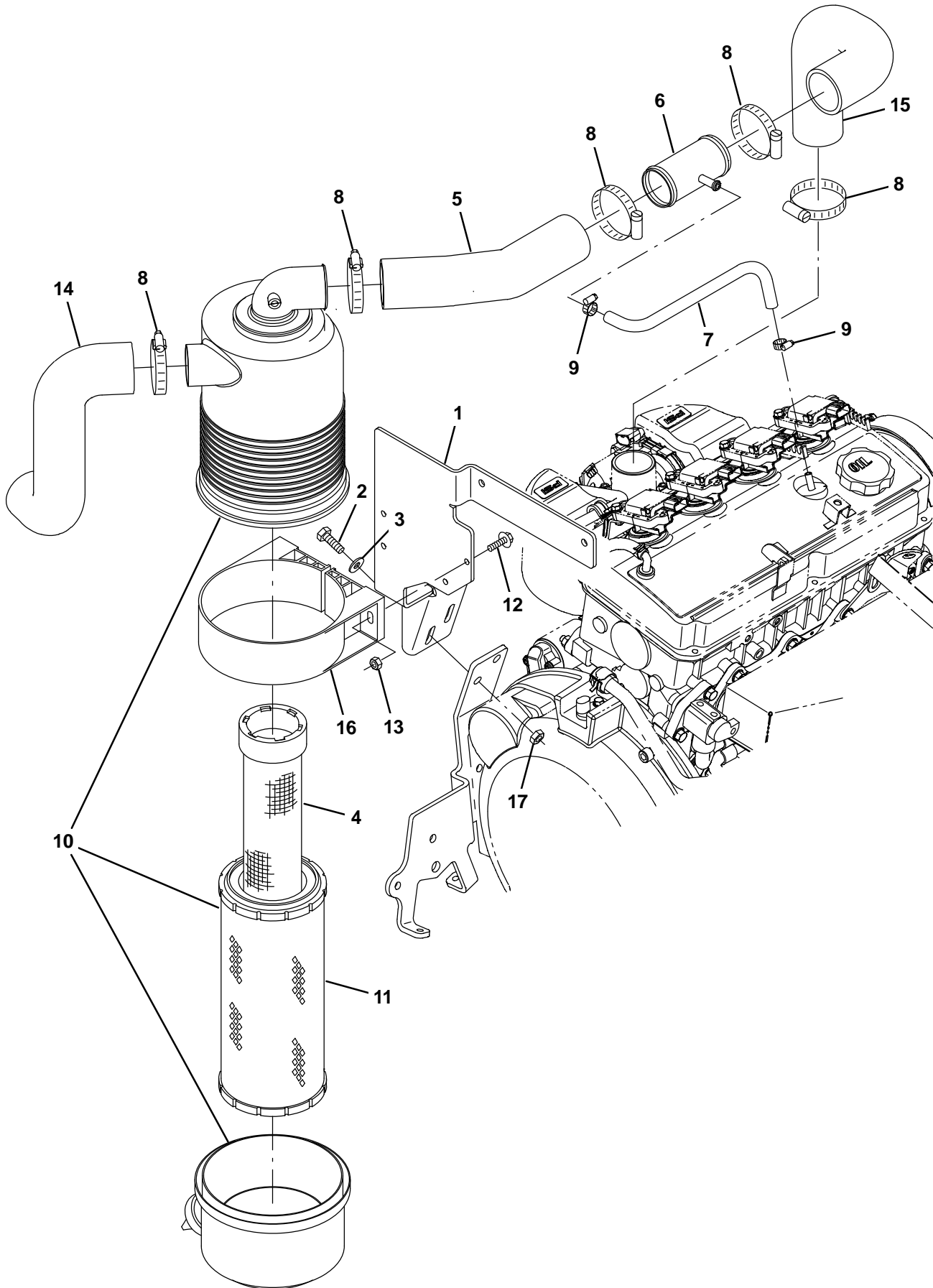


Fig. 33 – Mitsubishi Engine Air Cleaner Group, Gasoline (005000–)

Ref.	Part No.	Serial Number	Description	Qty.	
1	1070822	(005000–)	Bracket, Mtg, Fltr, Air [Mit 2013]	1	
2	39277	(005000–)	Screw, Hex, M8 X 1.25 X 25, 8.8	2	
3	32491	(005000–)	Washer, Flat, 0.31, Std	2	
4	398279	(005000–)	Element, Fltr, Air, Safety (OPTION)	1	
5	1070788	(005000–)	Hose, Intake, Mold [Epdm Mit 2013]	1	
6	1070833	(005000–)	Tube Wldt, Tee [Mit 2013]	1	
7	381391	(005000–)	Hose, Drain, Overflow, Radiator [1pick=1ft]	1	
8	14432	(005000–)	Clamp, Hose, Wormdrive, 1.81–2.75d, .50w	5	
9	54333	(005000–)	Clamp, Hose, Wormdrive, 0.31–0.88d, .31w	2	
▽	10	369745	(005000–)	Filter Assy, Air	1
▲	11	369746	(005000–)	Element, Fltr, Air [Dn]	1
	12	1036892	(005000–)	Screw, Hex, M6 X 1.00 X 25, 9.8 Sems	2
	13	08708	(005000–)	Nut, Hex, Lock, M6 X 1.00, NI	2
	14	1020949	(005000–)	Hose, Intake, Mold, 2.00id [Epdm]	1
	15	1071404	(005000–)	Hose, Intake, Mold, Gas [Epdm Mit 2013]	1
	16	369747	(005000–)	Clamp, Mtg, Fltr, Air	1
	17	08709	(005000–)	Nut, Hex, Lock, M8 X 1.25, NI	2

Fig. 34 – Mitsubishi Engine Air Cleaner Group, LPG (005000–)

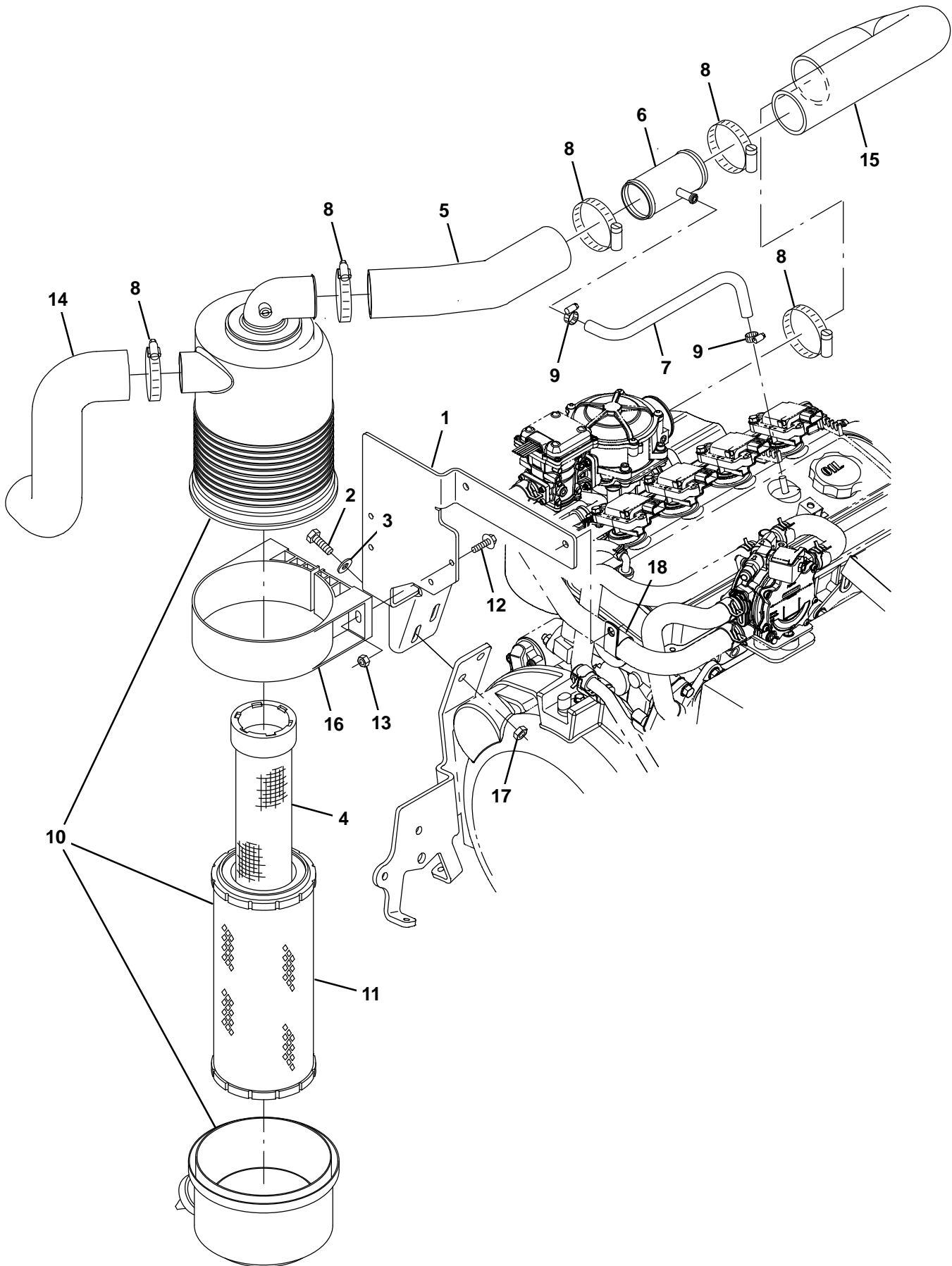


Fig. 34 – Mitsubishi Engine Air Cleaner Group, LPG (005000–)

Ref.	Part No.	Serial Number	Description	Qty.	
1	1070822	(005000–)	Bracket, Mtg, Fltr, Air [Mit 2013]	1	
2	39277	(005000–)	Screw, Hex, M8 X 1.25 X 25, 8.8	2	
3	32491	(005000–)	Washer, Flat, 0.31, Std	2	
4	398279	(005000–)	Element, Fltr, Air, Safety (OPTION)	1	
5	1070788	(005000–)	Hose, Intake, Mold [Epdm Mit 2013]	1	
6	1070833	(005000–)	Tube Wldt, Tee [Mit 2013]	1	
7	381391	(005000–)	Hose, Drain, Overflow, Radiator [1pick=1ft]	1	
8	14432	(005000–)	Clamp, Hose, Wormdrive, 1.81–2.75d, .50w	5	
9	54333	(005000–)	Clamp, Hose, Wormdrive, 0.31–0.88d, .31w	2	
▽	10	369745	(005000–)	Filter Assy, Air	1
▲	11	369746	(005000–)	Element, Fltr, Air [Dn]	1
	12	1036892	(005000–)	Screw, Hex, M6 X 1.00 X 25, 9.8 Sems	2
	13	08708	(005000–)	Nut, Hex, Lock, M6 X 1.00, NI	2
	14	1020949	(005000–)	Hose, Intake, Mold, 2.00id [Epdm]	1
	15	1070787	(006000–)	Hose, Intake, Mold, Lpg [Epdm Mit2013]	1
	16	369747	(005000–)	Clamp, Mtg, Fltr, Air	1
	17	08709	(005000–)	Nut, Hex, Lock, M8 X 1.25, NI	2
	18	69234	(005000–)	Clamp, Cable, Stl, 1.00d X 0.75w, 1hole	1

STANDARD PARTS

Fig. 35 – Mitsubishi Engine Alternator and Fan Group (005000–)

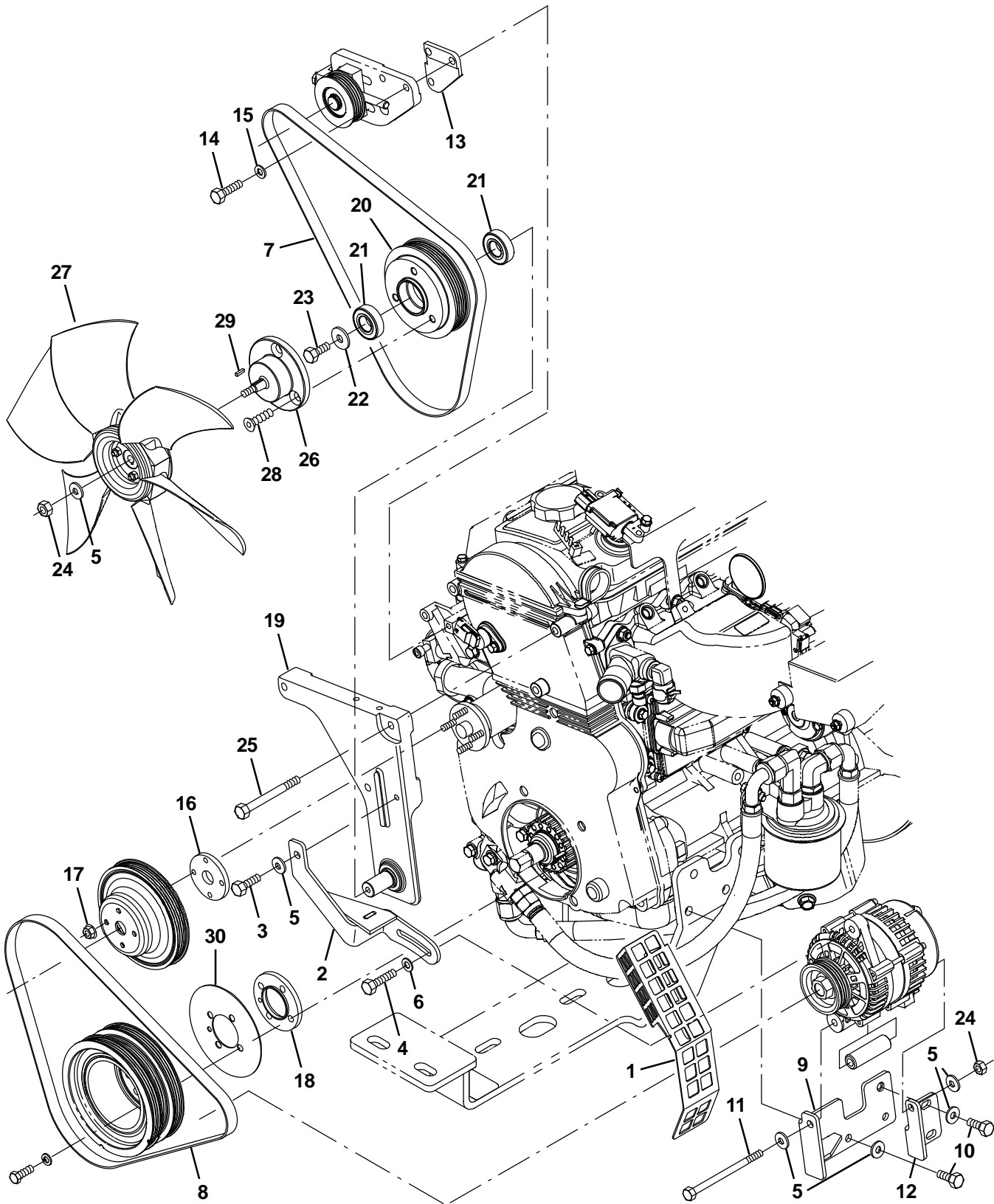


Fig. 35 – Mitsubishi Engine Alternator and Fan Group (005000–)

Ref.	Part No.	Serial Number	Description	Qty.
1	1071727	(005000–)	Guard, Fan, Side	1
2	1070890	(005000–)	Arm Wldt, Alternator [Mit 2013]	1
3	16931	(005000–)	Screw, Hex, M8 X 1.25 X 20, 8.8	1
4	04375	(005000–)	Screw, Hex, M8 X 1.25 X 40, 8.8, FI	1
5	32491	(005000–)	Washer, Flat, 0.31, Std	7
6	41186	(005000–)	Washer, Flat, Belleville, .31	1
7	1071144	(005000–)	Belt, Ribbed, Fan, 42.13l	1
8	1071145	(005000–)	Belt, Ribbed, Alternator, 41.5l	1
9	1070764	(005000–)	Bracket Wldt, Alternator [Mit13]	1
10	39277	(005000–)	Screw, Hex, M8 X 1.25 X 25, 8.8	3
11	49883	(005000–)	Screw, Hex, M8 X 1.25 X 120, 8.8, FI	1
12	1070619	(005000–)	Bracket, Mtg, Alternator [Mit 2013]	1
13	1071107	(005000–)	Block, Spacer	1
14	76570	(005000–)	Screw, Hex, M8 X 1.25 X 30, 8.8	2
15	39349	(005000–)	Washer, Flat, 0.31, Sae	2
16	1071108	(005000–)	Spacer, Pump, Water	1
17	07790	(005000–)	Nut, Hex, Flng, M6 X 1.00	4
18	1071110	(005000–)	Spacer, Crankshaft	1
19	1073529	(005000–)	Plate Wldt, Shaft, Fan [Shaft Extended]	1
20	1070426	(005000–)	Sheave, Mach [Mit 2615rpm Fan]	1
21	1055377	(005000–)	Bearing, Ball, 20mm B 42mm D 12mm W	2
22	1017218	(005000–)	Washer, Flat, 0.32b 1.00d .12, Ss	1
23	16735	(005000–)	Screw, Hex, M8 X 1.25 X 16, 8.8	1
24	08709	(005000–)	Nut, Hex, Lock, M8 X 1.25, NI	2
25	39281	(005000–)	Screw, Hex, M8 X 1.25 X 90, 8.8	3
26	1070431	(005000–)	Spacer, Fan, Taper [Mit 2013]	1
27	1031566	(005000–)	Fan, Cooling, 14.1d, 6 Blade, 0.5b Taper	1
28	48998	(005000–)	Screw, Flt, Soc, .38–16 X 1.00, AI	3
29	00960	(005000–)	Key, Sq, 0.12 X 0.12, 0.50l	1
30	1072421	(005000–)	Plate, Shield, Dust	1

Fig. 36 – Mitsubishi Engine Muffler Group (005000–)

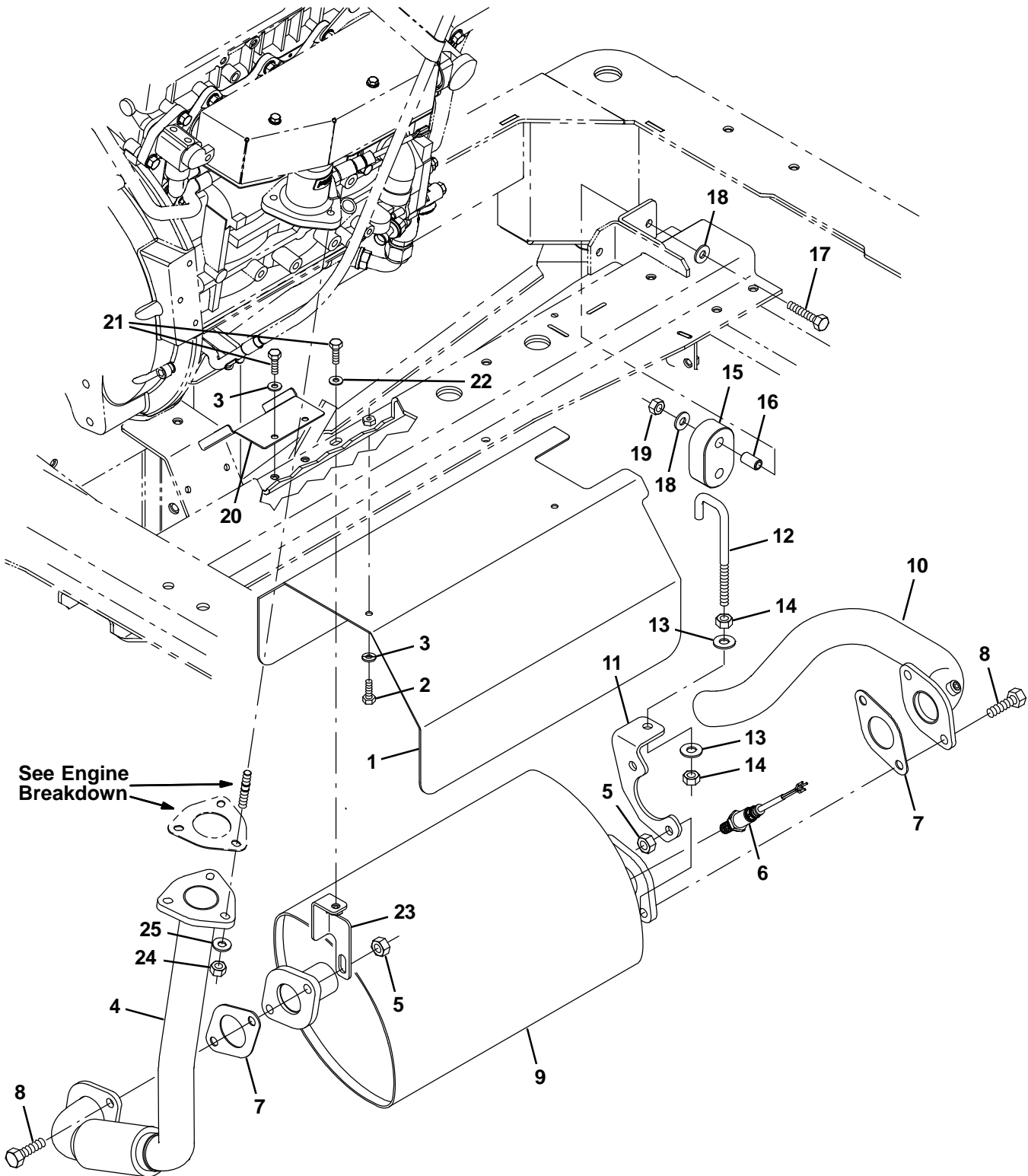


Fig. 36 – Mitsubishi Engine Muffler Group (005000–)

Ref.	Part No.	Serial Number	Description	Qty.
1	1028994	(005000–)	Channel, Shield, Muffler [M20/T20 2007]	1
2	08716	(005000–)	Screw, Hex, M6 X 1.0 X 20, Ss	2
3	32483	(005000–)	Washer, Flat, 0.25, Sae	4
4	9013159	(005000–)	Pipe Kit, Exhaust, Replmt [Mako Mitsu]	1
5	08166	(005000–)	Nut, Hex, M10 X 1.50 [Stover]	4
6	1028558	(005000–)	Sensor, Exhaust, Tailpipe	1
7	1011216	(005000–)	Gasket, Exhaust, 2hole, 3.4bc	2
8	39284	(005000–)	Screw, Hex, M10 X 1.5 X 35, 8.8	4
9	1071376	(005000–)	Muffler, Catalytic [Mit 2.0l 2013]	1
10	1028753	(005000–)	Tube, Exhaust, Flng, 1.5d [M20/T20 2007]	1
11	1028929	(005000–)	Bracket, Mtg, Muffler [M20/T20 2007]	1
12	1013117	(005000–)	Rod, Hanger, Isolator	1
13	32492	(005000–)	Washer, Flat, 0.38, Std	2
14	25014	(005000–)	Nut, Hex, Std, .38–16	2
15	1013031	(005000–)	Isolator, Rbr	1
16	222496	(005000–)	Sleeve, P/M, 0.31b 0.50d 0.9l [430ss]	1
17	222505	(005000–)	Screw, Hex, M8 X 1.25 X 45, Ss	1
18	01685	(005000–)	Washer, Flat, 0.38b 0.88d .08, Ss	2
19	08713	(005000–)	Nut, Hex, Lock, M8 X 1.25, NI, Ss	1
20	1071418	(005000–)	Shield, Tray, Drip [Mit 2013]	1
21	06943	(005000–)	Screw, Hex, M6 X 1.00 X 20, 8.8	3
22	32490	(005000–)	Washer, Flat, 0.25, Std	1
23	1071113	(005000–)	Bracket, Muffler	1
24	08165	(005000–)	Nut, Hex, Stover, M8	3
25	39349	(005000–)	Washer, Flat, 0.31, Sae	3

STANDARD PARTS

Fig. 37 – Mitsubishi Engine Radiator and Mount Group (005000-)

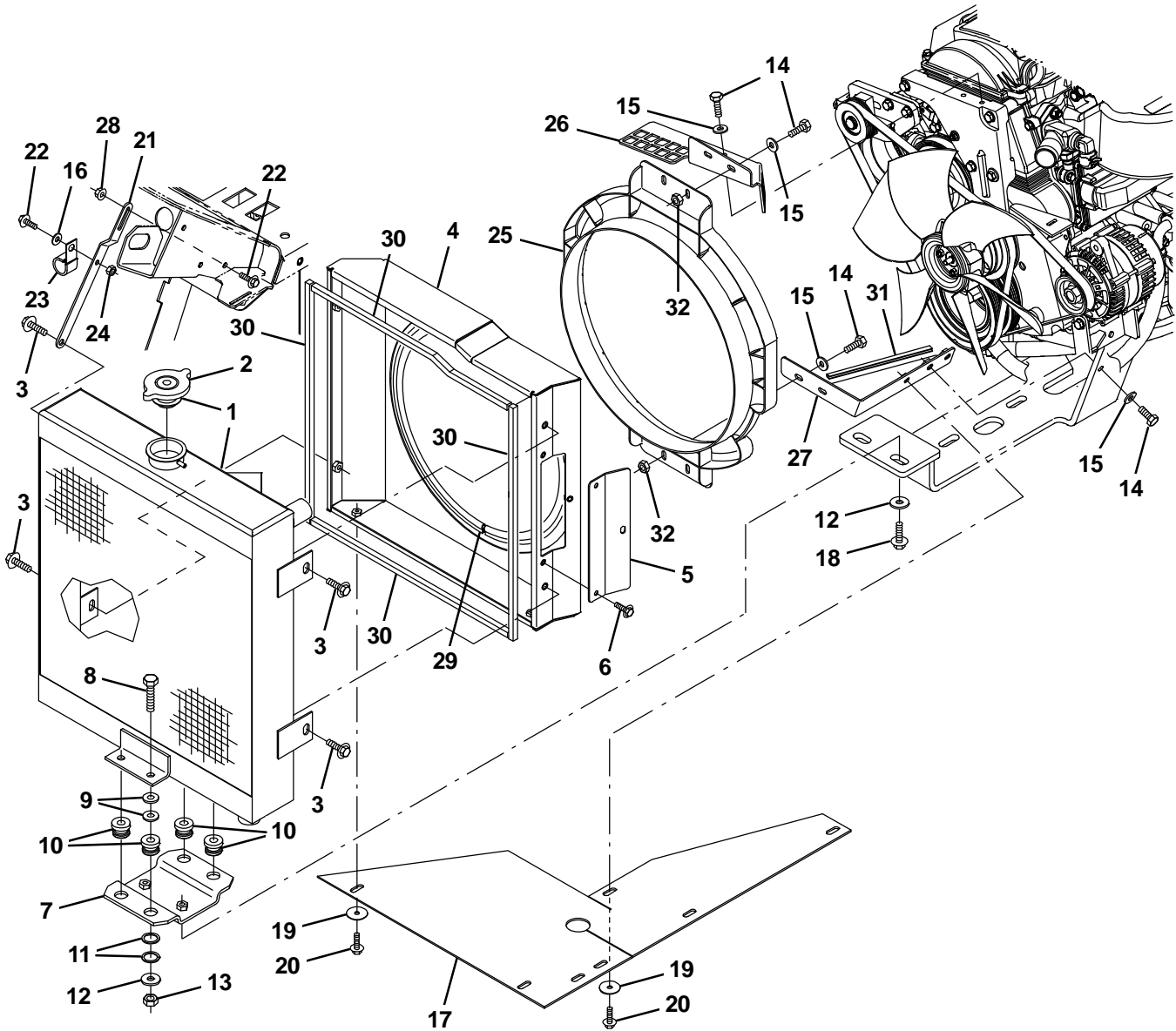


Fig. 37 – Mitsubishi Engine Radiator and Mount Group (005000–)

Ref.	Part No.	Serial Number	Description	Qty.
▽ 1	1045940	(005000–)	Radiator, W/ Hyd Cooler [Side X Side]	1
▲ 2	1045764	(005000–)	Cap, Radiator, 14Psi [Stant]	1
3	1037346	(005000–)	Screw, Hex, M8 X 1.25 X 25, 9.8, Sems	4
4	9010096	(005000–)	Shrd Wldt,Fan,G/Lp, Replmt [M20/M30/T20]	1
4	9010097	(005000–)	Shrd Wldt,Fan,G/Lp, Replmt [TJ] (Japan Only)	1
5	1070955	(005000–)	Plate, Door, Clean-Out [Mit2013]	1
6	1036892	(005000–)	Screw, Hex, M6 X 1.00 X 25, 9.8 Sems	3
7	1046962	(005000–)	Bracket, Mtg, Radiator	1
8	06962	(005000–)	Screw, Hex, M10 X 1.50 X 45, 8.8	4
9	32492	(005000–)	Washer, Flat, 0.38, Std	8
10	54274	(005000–)	Isolator, Vib, Bshg, 1.1d 0.6l .4b 0.78h	4
11	09832	(005000–)	Washer, Flat, 0.81b 1.06d .06, Stl	8
12	1014563	(005000–)	Washer, Flat, 0.40b 1.12d .12, Ss	4
13	41430	(005000–)	Nut, Hex, Lock, M10 X 1.5, NI	4
14	39277	(005000–)	Screw, Hex, M8 X 1.25 X 25, 8.8	8
15	32491	(005000–)	Washer, Flat, 0.31, Std	11
16	32490	(005000–)	Washer, Flat, 0.25, Std	2
17	1071785	(005000–)	Skirt, Eng Fan, Gas / Lp	1
18	1037355	(005000–)	Screw, Hex, M8 X 1.25 X 35, 9.8, Sems	2
19	41178	(005000–)	Washer, Flat, 0.25, Fendr	7
20	1036892	(005000–)	Screw, Hex, M6 X 1.00 X 25, 9.8 Sems	7
21	1019968	(005000–)	Bracket, Mtg, Radiator	1
22	1040467	(005000–)	Screw, Hex, M6 X 1.00 X 20, 9.8, Sems	2
23	30407	(005000–)	Clip, Keeper, Open	1
24	08708	(005000–)	Nut, Hex, Lock, M6 X 1.00, NI	1
25	1054428	(005000–)	Shroud, Fan	1
26	1070434	(005000–)	Bracket, Shrd, Fan, Upper, Sppt, G/Lpg	1
27	1070860	(005000–)	Bracket, Shrd, Fan, Lower, Sppt, G/Lpg	1
28	07790	(005000–)	Nut, Hex, FIng, M6 X 1.00	1
29	1048166	(005000–)	Seal, Afmkt, Bulb, Str, 0.58d 08ft	1
30	1015205	(005000–)	Seal, Afmkt, Ure, Adh, 0.38, 0.38w 02ft	4
31	57569	(005000–)	Molding, Trim, Pvc, .08–.11 06.8l	1
32	08709	(005000–)	Nut, Hex, Lock, M8 X 1.25, NI	4

Fig. 38 – Mitsubishi Engine Radiator Hose Group (005000–)

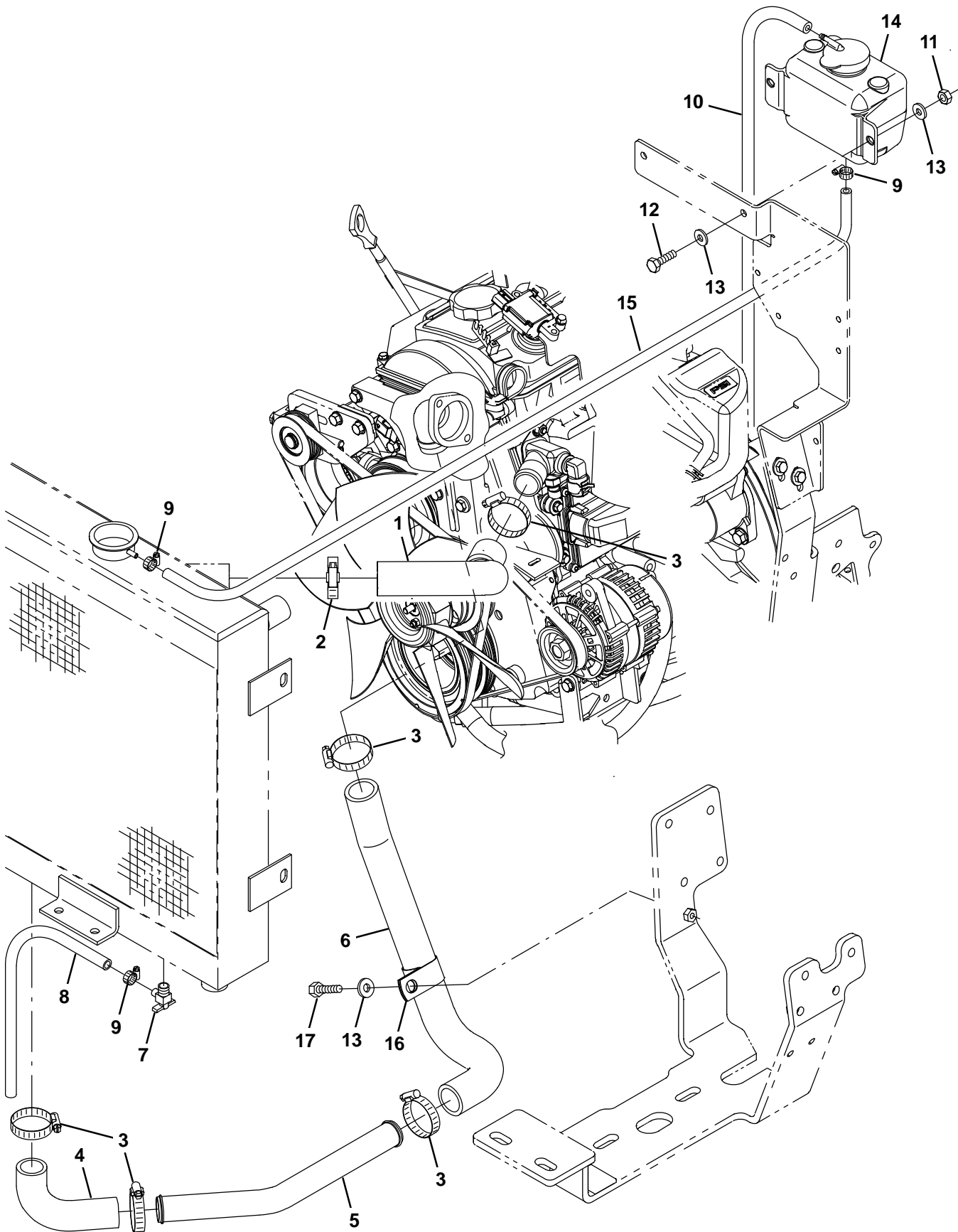


Fig. 38 – Mitsubishi Engine Radiator Hose Group (005000–)

Ref.	Part No.	Serial Number	Description	Qty.
1	1070732	(005000–)	Hose, Coolant, Upper, Mold [Mit 2013]	1
2	22297	(005000–)	Clamp, Hose, Wormdrive, 1.56–2.50d, .50w	1
3	79381	(005000–)	Clamp, Hose, Wormdrive, 1.25–2.00d, .50w	5
4	1007482	(005000–)	Hose, Rbr, E90, 1.25id 1.25id 04.2 03.1	1
5	1071099	(005000–)	Tube, Coolant, 1.3d, Lower [Mit 2013]	1
6	9010904	(005000–)	Hose Kit, Coolant, Replmt [Mitsubishi}	1
7	51305	(005000–)	Fitting, Draincock, E90, .25npt	1
8	73471	(005000–)	Hose, Pvc, Clr, 0.38id 0.56od 022.0l	1
9	43844	(005000–)	Clamp, Hose, Wormdrive, 0.25–0.62d, .31w	3
10	87738	(005000–)	Hose, Fuel, 0.18id, 29.0l	1
11	08709	(005000–)	Nut, Hex, Lock, M8 X 1.25, NI	2
12	39277	(005000–)	Screw, Hex, M8 X 1.25 X 25, 8.8	2
13	32491	(005000–)	Washer, Flat, 0.31, Std	5
14	1054382	(005000–)	Tank, Coolant, 03.6w 04.1hi 05.5l, 1liter	1
15	1014843	(005000–)	Hose, Afmkt, Coolant Recvy, 05ft	1
16	53466	(005000–)	Clamp, Cable, Stl, 1.50d X 1.00w, 1hole	1
17	16931	(005000–)	Screw, Hex, M8 X 1.25 X 20, 8.8	1

STANDARD PARTS

Fig. 39 – Engine Fuel Tank Group, Gasoline (000000–001499)

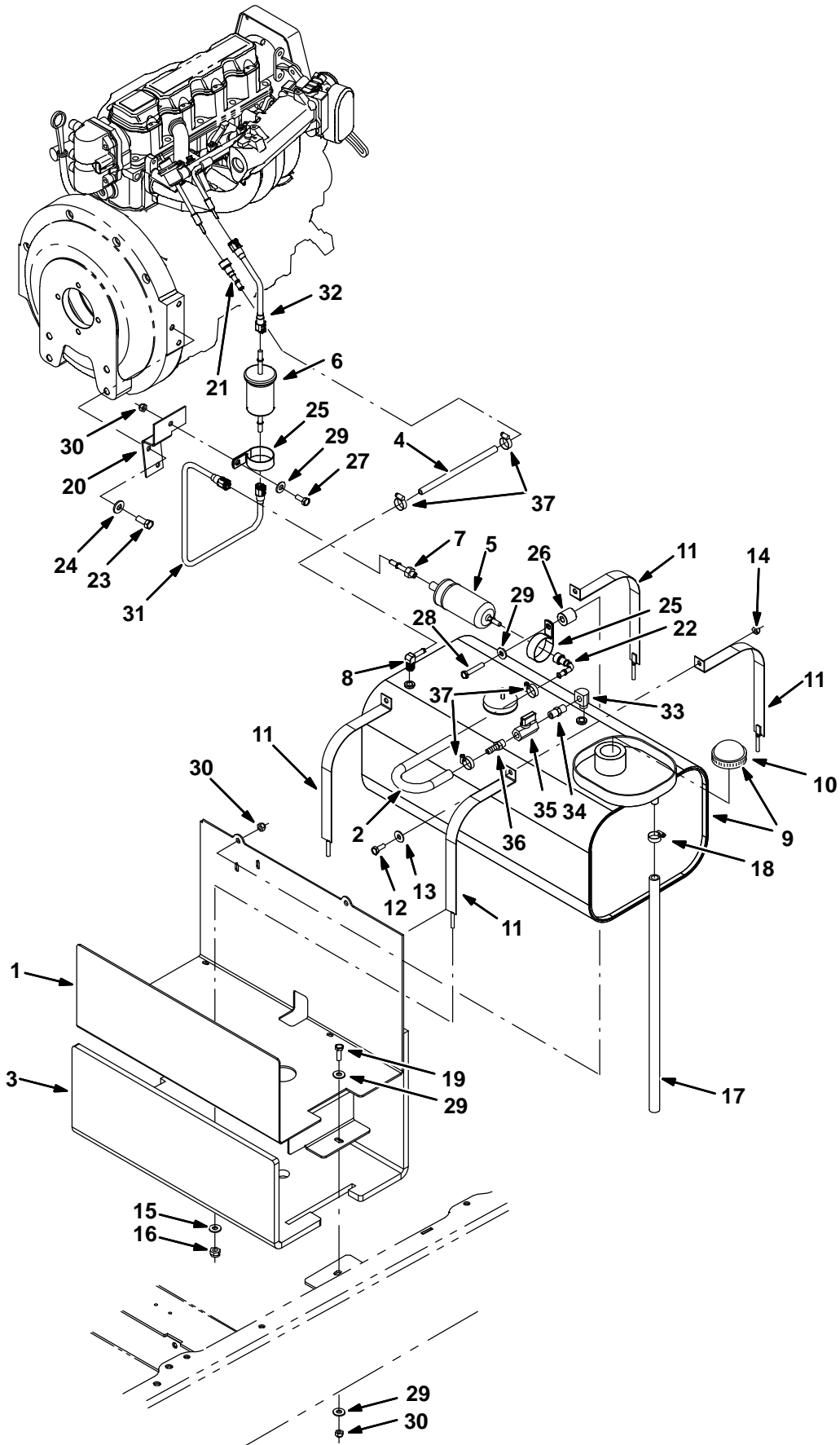


Fig. 39 – Engine Fuel Tank Group, Gasoline (000000–001499)

Ref.	Part No.	Serial Number	Description	Qty.	
1	1026550	(000000–001499)	Tray Wldt, Fuel	1	
2	87730	(000000–001499)	Hose, Fuel, 0.31id 12.0l	1	
3	1026759	(000000–001499)	Insulation, Flame–Retardant, 0.5	1	
4	1012160	(000000–001499)	Hose, Fuel, 0.31id 24.0l	1	
5	1011107	(000000–001499)	Pump, Fuel, Hi Press [Gm 1.6l/3.0l]	1	
6	372440	(000000–001499)	Filter, Fuel [Gm 1.6l/3.0l]	1	
7	1013086	(000000–001499)	Connector, Fuel, Qf	1	
8	9000355	(000000–001499)	Fitting, Brs, E90, Em05/Pm04	1	
▽	9	9002395	(000000–001499)	Tank, Fuel, 11.26Gal, gas, Replmt	1
▲	10	48267	(000000–001499)	Cap, Tank, Fuel, 2.3neck 2.6d	1
▲		1039521	(000000–001499)	Send–Unit, Fuel	1
	11	1025229	(000000–001499)	Strap, Tank, Gas	4
	12	39277	(000000–001499)	Screw, Hex, M8 X 1.25 X 25, 8.8	2
	13	32491	(000000–001499)	Washer, Flat, 0.31, Std	2
	14	08709	(000000–001499)	Nut, Hex, Lock, M8 X 1.25, NI	2
	15	32483	(000000–001499)	Washer, Flat, 0.25 Sae	4
	16	32981	(000000–001499)	Nut, Hex, Lock, .25–20, NI	4
	17	1023482	(000000–001499)	Hose, Fuel, 0.50id 21.0l	1
	18	54333	(000000–001499)	Clamp, Hose, Wormdrive, 0.31–0.88d, .31w	1
	19	39277	(000000–001499)	Screw, Hex, M8 X 1.25 X 25, 8.8	2
	20	1019416	(000000–001499)	Bracket, Mtg, Fuel	1
	21	1013086	(000000–001499)	Connector, Fuel, Qf	1
	22	1019939	(000000–001499)	Connector, Fuel, E90, Qf	1
	23	21197	(000000–001499)	Screw, Hex, .38–16 X 1.00, 5	2
	24	32492	(000000–001499)	Washer, Flat, 0.38 Std	2
	25	1011895	(000000–001499)	Clamp, Cable, Stl, 2.00d X 0.75w, 1 Hole	2
	26	383912	(000000–001499)	Sleeve, P/M, 0.43b 1.00d 1.0l, Stl	1
	27	16931	(000000–001499)	Screw, Hex, M8 X 1.25 X 20, 8.8	1
	28	06956	(000000–001499)	Screw, Hex, M8 X 1.25 X 45, 8.8	1
	29	32491	(000000–001499)	Washer, Flat, 0.31, Std	6
	30	08709	(000000–001499)	Nut, Hex, Lock, M8 X 1.25, NI	4
	31	1026664	(000000–001499)	Fuelline, .31d Str/Str, Plstc	1
	32	1019394	(000000–001499)	Fuelline, .31d Str/Str, Plstc	1
	33	27048	(000000–001499)	Fitting, Brs, E90, Pf04/Pm04	1
	34	398468	(000000–001499)	Fitting, Brs, Str, Pm04/Pm04	1
	35	1019940	(000000–001499)	Valve, Ball, 04pf, Chm W/ Handle	1
	36	392629	(000000–001499)	Fitting, Brs, Str, Bm05/Pm04	1
	37	54333	(000000–001499)	Clamp, Hose, Wormdrive, 0.31–0.88d, .31w	4

Fig. 40 – Engine Fuel Tank Group, Gasoline (001500–)

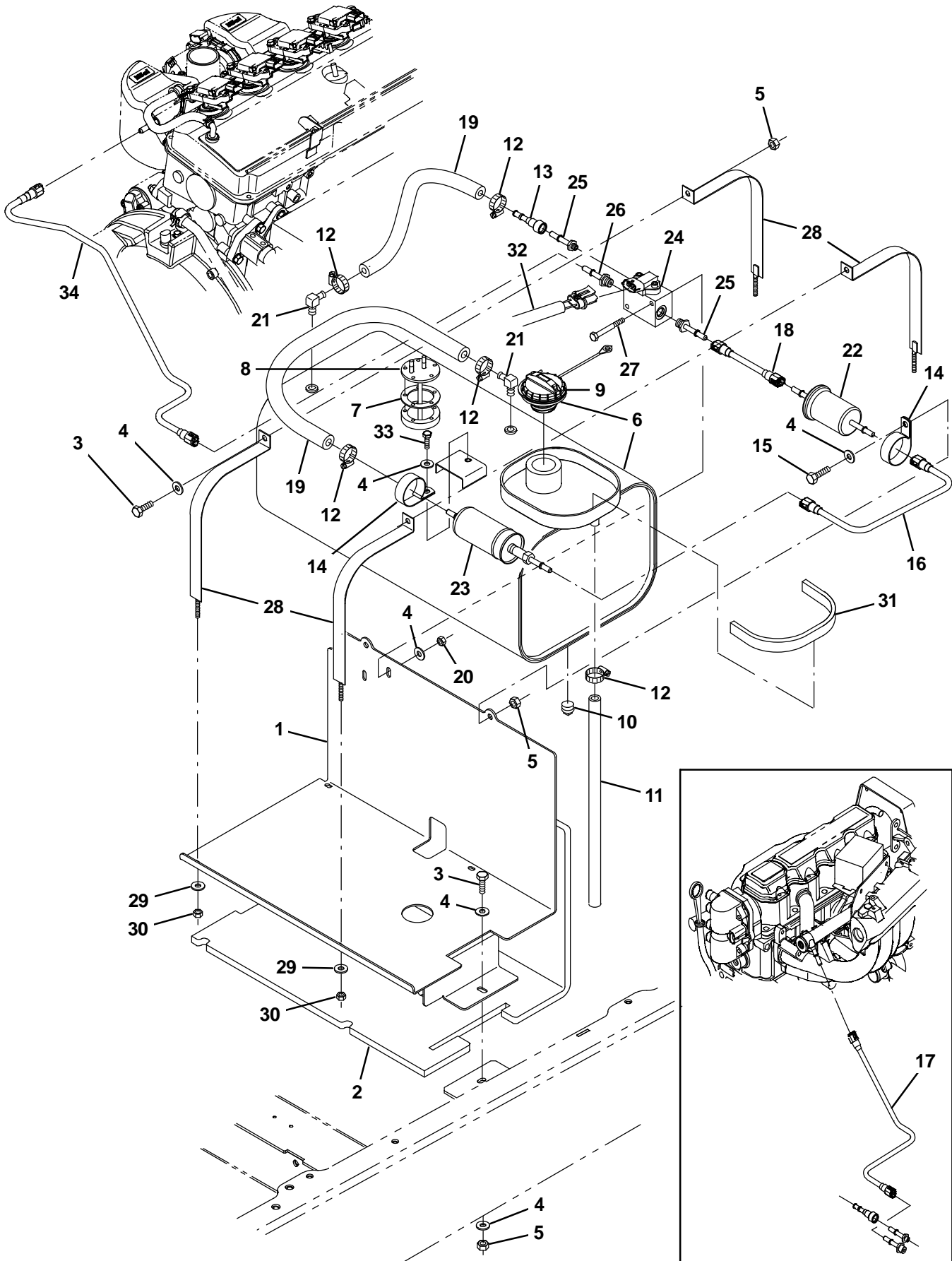


Fig. 40 – Engine Fuel Tank Group, Gasoline (001500–)

Ref.	Part No.	Serial Number	Description	Qty.
1	1026550	(001500–)	Tray Wldt, Fuel	1
2	1026759	(001500–)	Insulation, Flame–Retardant, 0.5	1
3	39277	(001500–)	Screw, Hex, M8 X 1.25 X 25, 8.8	4
4	32491	(001500–)	Washer, Flat, 0.31, Std	8
5	08709	(001500–)	Nut, Hex, Lock, M8 X 1.25, NI	5
▽	6	9003610	(001500–) Tank, Fuel, 11.2gal, Gas, Replmt [2007]	1
▲	7	1033897	(001500–) Gasket, Sender, Fuel	1
▲	8	1033901	(001500–) Send–Unit, Fuel [2007]	1
▲	9	1032812	(001500–) Cap, Fuel, Tank	1
▲	10	48126	(001500–) Fitting, Pipe, Plug, Pm02, Sq Head	1
	11	1023482	(001500–) Hose, Fuel, 0.50id, 21.0l	1
	12	54333	(001500–) Clamp, Hose, Wormdrive, 0.31–0.88d, .31w	5
	13	1013086	(001500–) Connector, Fuel, Qf	2
	14	1011895	(001500–) Clamp, Cable, Stl, 2.00d X 0.75w, 1hole	2
	15	06956	(001500–) Screw, Hex, M8 X 1.25 X 45, 8.8	2
	16	1034676	(001500–) Fuelline, .31d Str/Str,Plstc[M20/T20 07]	1
	17	1034655	(001500–004999) Fuelline, .31d Str/Str,Plstc[M20/T20 07]	1
	18	1012248	(001500–) Fuelline, .31d Str/Str, Plstc	1
	19	1033746	(001500–) Hose, Fuel, 0.31id [Evap Emission 07]	2
	20	54333	(001500–) Clamp, Hose, Wormdrive, 0.31–0.88d, .31w	4
	21	9000355	(001500–) Fitting, Brs, E90, Em05/Pm04	2
	22	372440	(001500–) Filter, Fuel [Gm 1.6l/3.0l]	1
	23	9006592	(001500–) Pump, Fuel	1
	24	1028924	(001500–) Manifold, Gas, Relief, Valve	1
	25	1029293	(001500–) Fitting, Fuel, Str, 0.56–18 [07 Eng]	2
	26	1029295	(001500–) Fitting, Fuel, Str, 0.38–24 [07 Eng]	1
	27	06949	(001500–) Screw, Hex, M6 X 1.0 X 50, 8.8	2
	28	1025229	(001500–) Strap, Tank, Gas	4
	29	32483	(001500–) Washer, Flat, 0.25, Sae	4
	30	32981	(001500–) Nut, Hex, Lock, .25–20, NI	4
	31	62595–15	(001500–) Molding, Trim, Pvc, .08–.11 13.2l	1
	32	385009	(001500–) Harness, Manifold, Gas	1
	33	16931	(001500–) Screw, Hex, M8 X 1.25 X 20, 8.8	1
	34	1071388	(005000–) Fuelline, .31d Str/Str, Plstc [Mit 2013]	1

Fig. 41 – Engine Fuel Tank Group, LPG

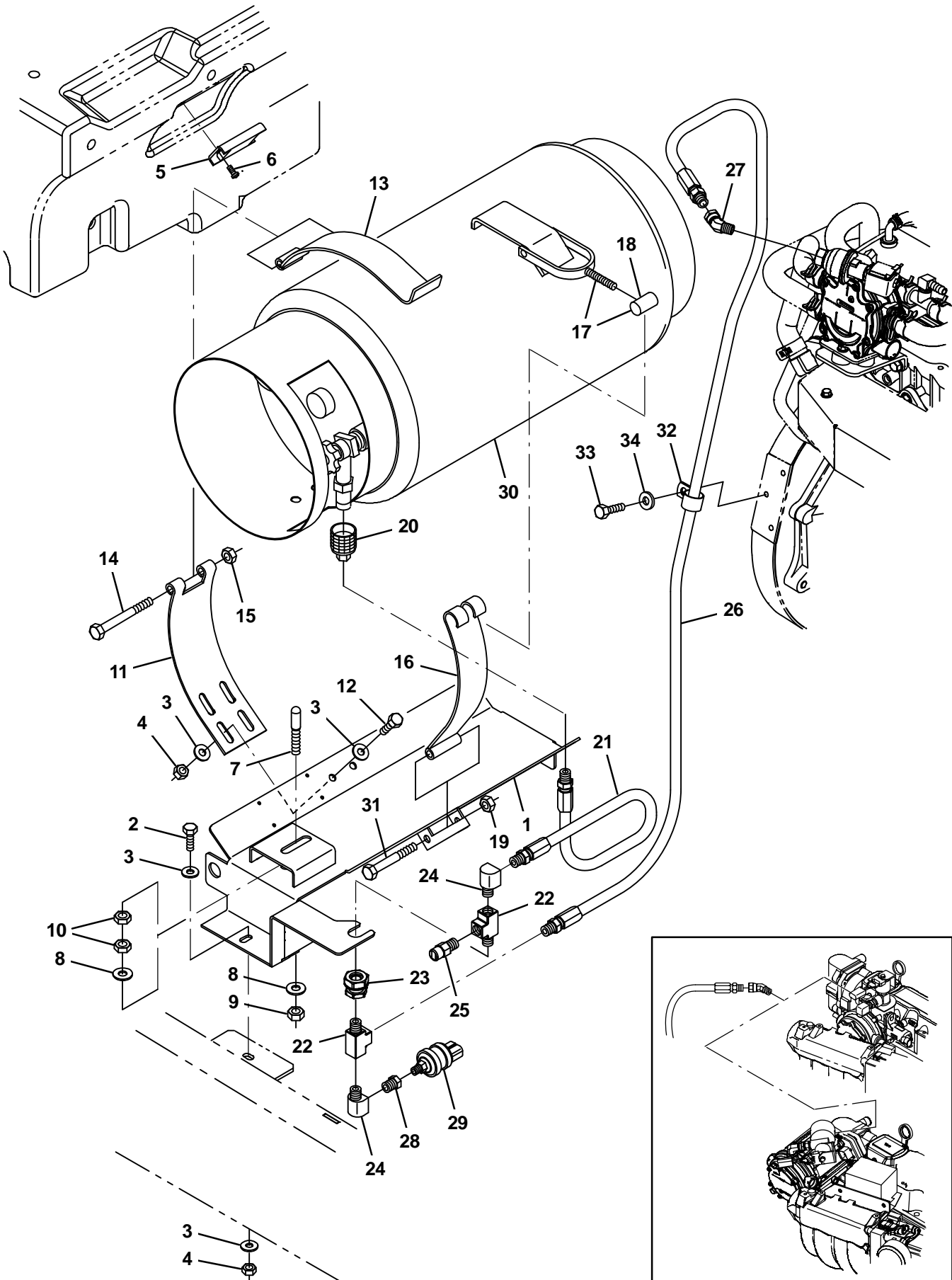


Fig. 41 – Engine Fuel Tank Group, LPG

Ref.	Part No.	Serial Number	Description	Qty.
1	1017947	(000000–) Tray Wldt, Lpg	1
2	39277	(000000–) Screw, Hex, M8 X 1.25 X 25, 8.8	2
3	32491	(000000–) Washer, Flat, 0.31, Std	8
4	08709	(000000–) Nut, Hex, Lock, M8 X 1.25, NI	4
5	63378	(000000–) Magnet, Drive Brush	1
6	09200	(000000–) Screw, Pan, M5 X 0.8 X 12, Ss	2
7	1024934	(000000–) Pin, Locating, Lpg	1
8	32492	(000000–) Washer, Flat, 0.38 Std	2
9	41430	(000000–) Nut, Hex, Lock, M10 X 1.5, NI	1
10	32716	(000000–) Nut, Hex, Jam, M10 X 1.5, Ss	2
11	58589	(000000–) Strap, Mtg, Tank, Lpg	1
12	16931	(000000–) Screw, Hex, M8 X 1.25 X 20, 8.8	2
13	57297	(000000–) Strap, Mtg, Tank, Lpg, Hinge	1
14	35710	(000000–) Screw, Hex, .38–16 X 3.75, 5	1
15	59156	(000000–) Nut, Hex, Lock, .38–16, NI, Ss	1
16	58590	(000000–) Strap, Mtg, Tank, Lpg	1
▽	17	53400–1	(000000–) Latch Assy, Mtg, Tank, Lpg, W/Nut	1
▲	18	53400–4	(000000–) Nut, Adj, Mtg, Tank, Lpg	1
19	36643	(000000–) Nut, Hex, Lock, .38–16, NI, Thin	1
20	26496	(000000–) Fitting, Brs, Qdc, Pf04, Lpg Fem	1
21	22308–6	(000000–) Hose, Lpg, Med05, Pm04str/Sm04str, 14.0l	1
22	150709	(000000–) Fitting, Brs, Tee, Pf04/Pf04/Pm04, Run	2
23	78122	(000000–) Fitting, Brs, Str, Pf04/Pf04, Bh	1
24	27048	(000000–) Fitting, Brs, E90, Pf04/Pm04	2
25	24047	(000000–) Valve, Lpg, Press Relief [Rego]	1
26	19760	(000000–) Hose, Lpg, Med05, Pm04str/Sm04str, 55.0l	1
27	392645	(000000–) Fitting, Pipe, E45, Spcl	1
28	17414	(000000–) Fitting, Hyd, Str, Pf02/Pm04	1
29	23156	(000000–) Switch, Press, 12vdc 08a Spst Nc 0070psi	1
30	24928–1	(000000–) Tank, Lpg, 33lb, W/ Gauge [Empty, Liq]	1
31	35707	(000000–) Screw, Hex, .38–16 X 3.00, 5	1
32	69234	(005000–) Clamp, Cable, Stl, 1.00d X 0.75w, 1hole	1
33	09740	(005000–) Screw, Hex, M8 X 1.25 X 20, Ss	1
34	32491	(005000–) Washer, Flat, 0.31, Std	1

Fig. 42 – Battery and Electrical Group

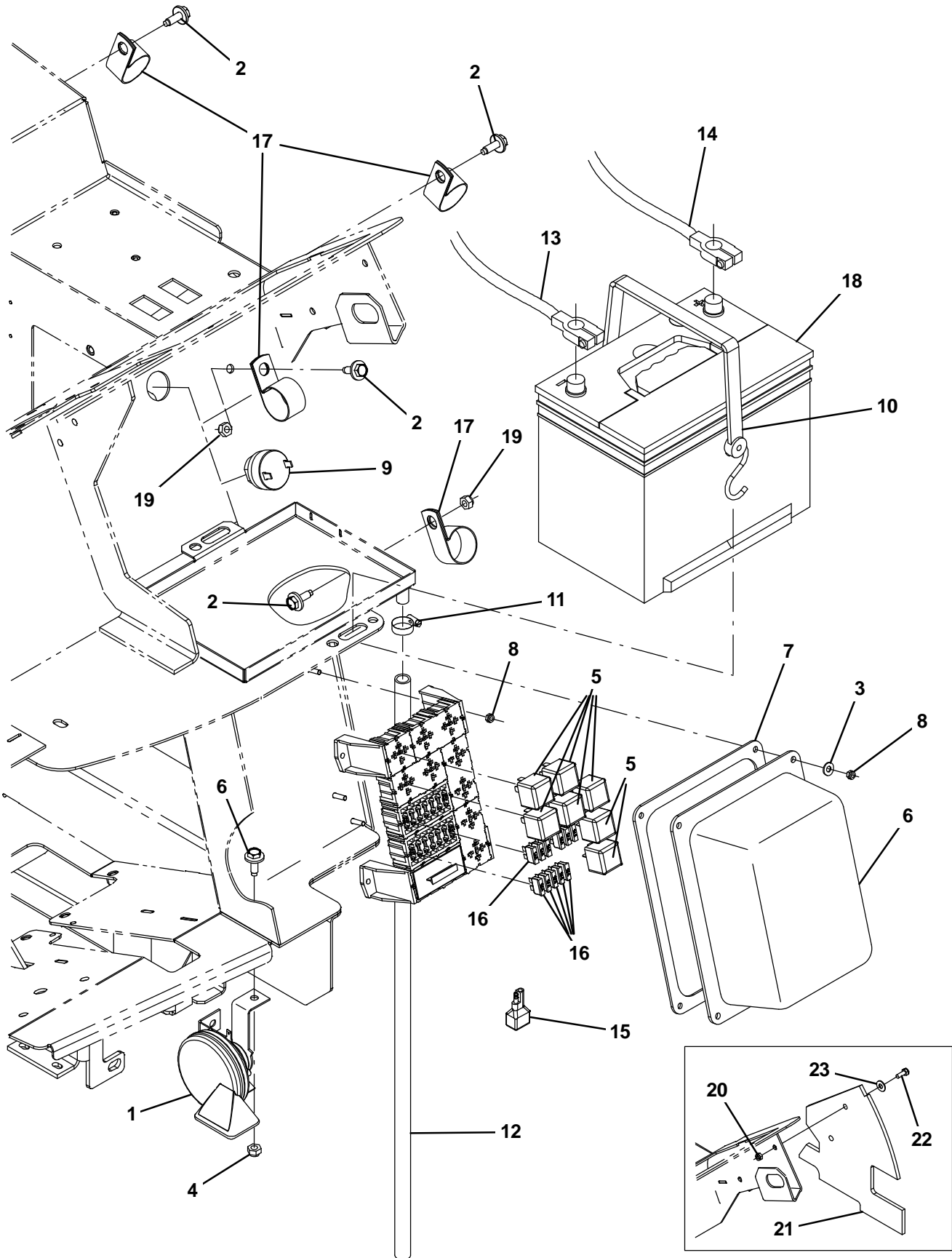


Fig. 42 – Battery and Electrical Group

Ref.	Part No.	Serial Number	Description	Qty.
1	369704	(000000–) Horn, 12vdc, Dba [Wolo]	1
2	1037346	(000000–) Screw, Hex, M8 X 1.25 X 25, 9.8, Sems	5
3	19066	(000000–) Washer, Flat, #10	4
4	08709	(000000–) Nut, Hex, Lock, M8 X 1.25, NI	1
5	57804	(000000–) Relay, 12vdc, 40a, Spdt N/O	7
6	1024274	(000000–) Cover, Fuse, Block	1
7	1026576	(000000–) Gasket, Cover, Fuse Block	1
8	06549	(000000–) Nut, Hex, Lock, M5 X 0.8, NI	8
9	1021290	(000000–) Alarm, Warning [Sonalert, St628]	1
10	33671	(000000–) Strap, Rbr, Tie-Down, 2/Hooks 19.0l	1
11	54333	(000000–) Clamp, Hose, Wormdrive, 0.31–0.88d, .31w	1
12	20778	(000000–) Hose, Pvc, Clr, 0.50id 0.69od 30.00l	1
13	60295	(000000–004999) Cable, Battery, 02ga 60.0l Blk .41ring	1
13	1071481	(005000–) Cable, Battery, 2ga, 62l, Blk	1
14	68869	(000000–004999) Cable, Battery, 02ga 48.0l Red .41ring	1
14	1071482	(005000–) Cable, Battery, 2ga, 60l, Red	1
15	222290	(000000–) Diode, Ele, Plug	1
16	762514	(000000–) Fuse, 015a	14
17	53466	(000000–) Clamp, Cable, Stl, 1.50d X 1.00w, 1h	4
18	10137	(000000–) Battery, 12vdc, 0475cca, Ah, Wet	1
19	08709	(000000–) Nut, Hex, Lock, M8 X 1.25, NI	2
20	08708	(000000–001278) Nut, Hex, Lock, M6 X 1.0, NI	2
21	1027228	(000000–001278) Seal, Radiator, Upper	1
22	06942	(000000–001278) Screw, Hex, M6 X 1.0 X 16, 8.8	2
23	32490	(000000–001278) Washer, Flat, 0.25 Std	2

Fig. 43 – Wheel Group, Front Drive

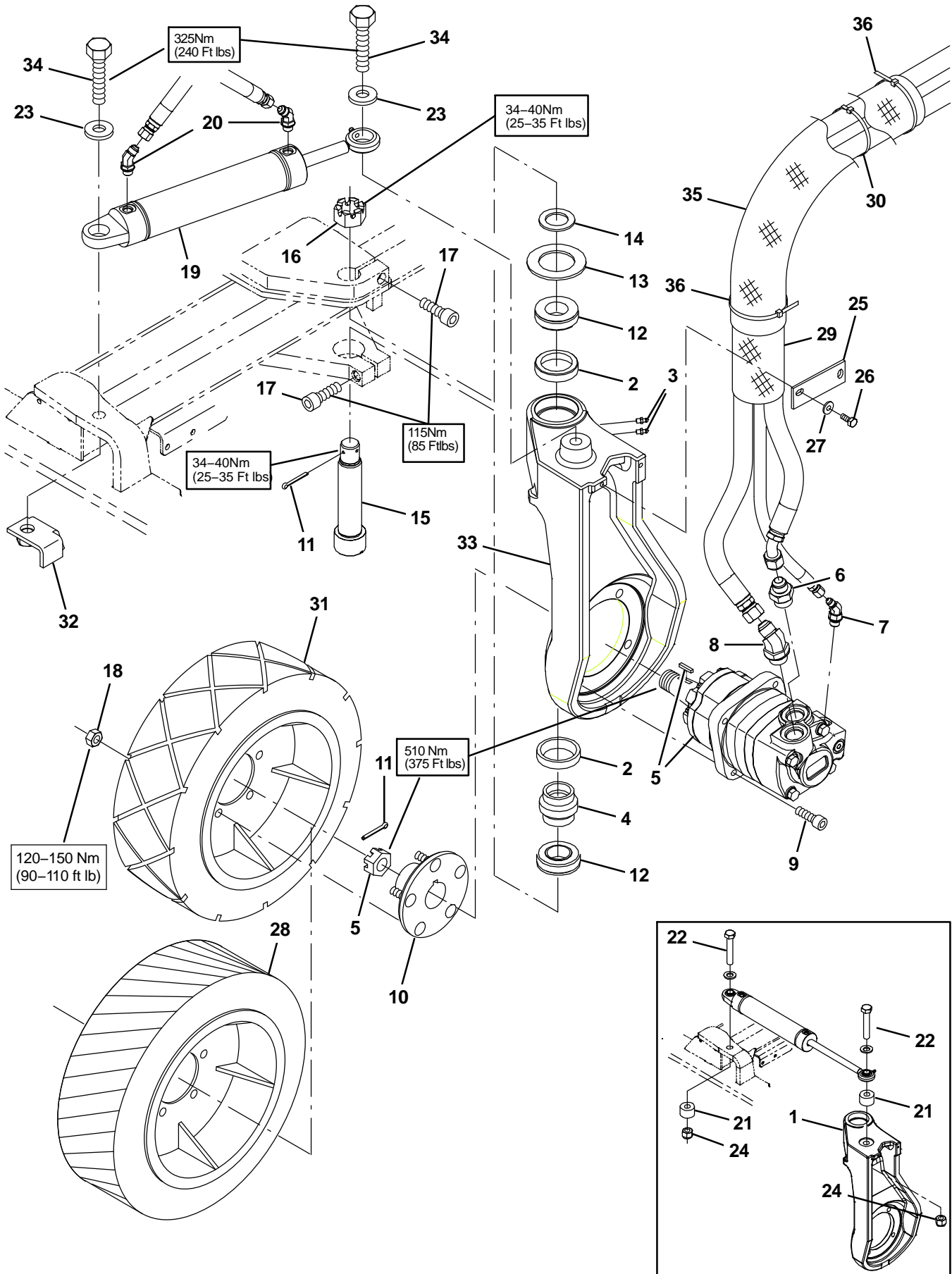


Fig. 43 – Wheel Group, Front Drive

Ref.	Part No.	Serial Number	Description	Qty.	
1	9008248	(000000–002663)	Housing Kit, Drive, Front, Replmt	1	
2	51338	(000000–)	Bearing, Cup, 2.56d 0.55w	2	
3	47801	(000000–)	Fitting, Grease, Str Pm04 .63l	2	
4	374560	(000000–)	Seal, Drive, Rear, Grease Cav	1	
5	379609	(000000–)	Motor, Hyd, Gear, Int 19.0 Bi–Dir 3000 (See Breakdowns)	1	
6	42223	(000000–)	Fitting, Hyd, Str, Jm10/Om12	1	
7	393215	(000000–)	Fitting, Hyd, E45, Jm04/Om06	1	
8	1024249	(000000–)	Fitting, Hyd, E45, Jm10/Om12	1	
9	19583	(000000–)	Screw, Soc, .50–13 X 1.50, Al	4	
▽	10	54087	(000000–)	Hub Assy, Wheel, 5 Bolt 4.50bc Taper B	1
▲		32126	(000000–)	Stud, Wheel, .50–20 X 1.50l, 0.370th	5
	11	08180	(000000–)	Pin, Cotter, .125 X 2.00	2
	12	51339	(000000–)	Bearing, Cone, 1.38b 0.71w	2
	13	374563	(000000–)	Washer, Flat, 2.16b 3.50d .16, Felt	1
	14	54051	(000000–)	Washer, Flat, 1.39b 2.12d .13, Stl	1
	15	73281	(000000–)	Bolt, Shld, 1.37d X 5.13l, 1.1–18 Drilled	1
	16	54052	(000000–)	Nut, Hex, Slted, 1.12–18	1
	17	72926	(000000–)	Screw, Soc, M16 X 2.0 X 50, 12.9	2
	18	24339	(000000–)	Nut, Wheel, .50–20 X 60 Angle	5
	19	1017903	(000000–005896)	Cylinder, Hyd, 2.0b, 15.2l, 09.00strk, 3000	1
	19	1034270	(005897–)	Cylinder, Hyd, 2.0b, 15.2l, 09.00strk, 3000	1
	20	47522	(000000–)	Fitting, Hyd, E45, Jm06/Om06	2
	21	71340	(000000–002663)	Tube, Rnd, 1.75d 0.77b 01.1l, Stl, Pntd	2
	22	71341	(000000–002663)	Screw, Hex, .75–10 X 4.00, 5	2
	23	39350	(000000–005896)	Washer, Flat, 0.75 Sae	2
	23	1073487	(005897–)	Washer, Flat, .781b 1.63od .16, Stl, Blk	2
	24	32987	(000000–002663)	Nut, Hex, Lock, .75–10, NI	2
	25	58842	(000000–)	Bar, Flat, Stl 0.19, 01.50 X 04.1l	1
	26	16931	(000000–)	Screw, Hex, M8 X 1.25 X 20, 8.8	2
	27	32491	(000000–)	Washer, Flat, 0.31, Std	2
	28	1061973	(000000–)	Tire, Drive, Scrbr, Pu, Grey, 18.0X6.0 (Optional Polyurethane)	1
	29	57315	(000000–)	Sleeve, Nyl, #37 05.0l	2
	30	49266	(000000–)	Tie, Cable, Nyl, 07.3l .19w 1.8 Max D	2
	31	1059343	(000000–)	Tire, Drive, Scrbr, Non–Skid, 18.0X6.0	1
	32	10605	(002664–)	Bracket, Mtg, Sppt	1
	33	1071061	(002664–)	Housing, Sppt, Front Wheel	1
	34	77345	(002664–)	Screw, Hex, .75–10 X 3.25, G5	1
	35	82832	(005000–)	Sleeve, Nyl, 2.38id 25.0l	1
	36	49266	(005000–)	Tie, Cable, Nyl, 07.3l .19w 1.8 Max D	2

Fig. 44 – Wheel Group, Rear

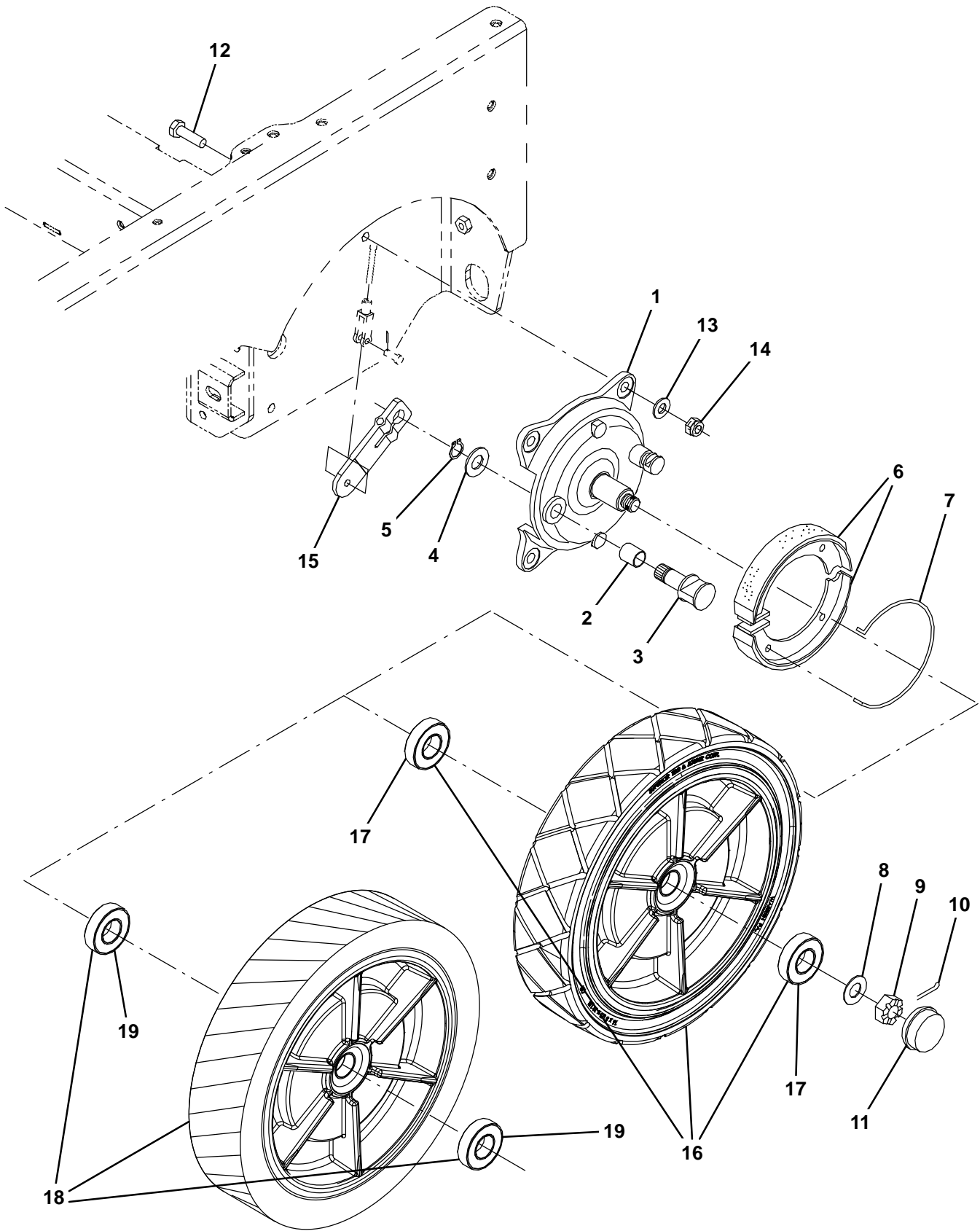


Fig. 44 – Wheel Group, Rear

	Ref.	Part No.	Serial Number	Description	Qty.
▽		360023	(000000–) Brake Assy, Drum, Mech, 07.0d 1.2w	2
▲	1	360270	(000000–) Plate, Backing, Brake	1
▲	2	360271	(000000–) Bushing, Sleeve, 0.78b 0.86d 0.93l, Bnz	1
▲	3	360272	(000000–) Cam, Plt, Brake [Nickel]	1
▲	4	360273	(000000–) Washer, Flat, M21.0b X 37d X 3	1
▲	5	360274	(000000–) Retainer, Ring, Brake	1
▲	6	360275	(000000–) Shoe, Brake, 180 X 30mm	2
▲	7	360276	(000000–) Spring, Wir, 0.25d, Return, Brake	1
	8	49145	(000000–) Washer, Flat, 0.76b 1.50d .06, Ss	2
	9	86659	(000000–) Nut, Hex, Sltd, .75–16	2
	10	08171	(000000–) Pin, Cotter, .156 X 2.00	2
	11	54390	(000000–) Cap, Hub, Dust 2.57d 0.77l	2
	12	06969	(000000–) Screw, Hex, M12 X 1.75 X 40, 8.8	8
	13	32486	(000000–) Washer, Flat, 0.50 Sae	8
	14	08711	(000000–) Nut, Hex, Lock, M12 X 1.75,NI	8
	15	360802	(000000–) Arm, Lever, Brake, 4.1 [Knott]	2
▽	16	1059671	(000000–) Tire, Idler, Scrbr, Blk, 16.0X3.5	2
▲	17	360074	(000000–) Bearing, Ball, 1.18b 2.44d 0.63w	2
▽	16	1059347	(000000–) Tire, Idler, Scrbr, Non–Skid, 16.0x3.5 (Optional)	2
▲	17	360074	(000000–) Bearing, Ball, 1.18b 2.44d 0.63w	2
▽	18	1061974	(000000–) Tire, Idler, Scrbr, Pu, Grey, 16.0X3.5 (Optional Polyurethane)	2
▲	19	360074	(000000–) Bearing, Ball, 1.18b 2.44d 0.63w	2

Fig. 45 – Brake Pedal Linkage Group

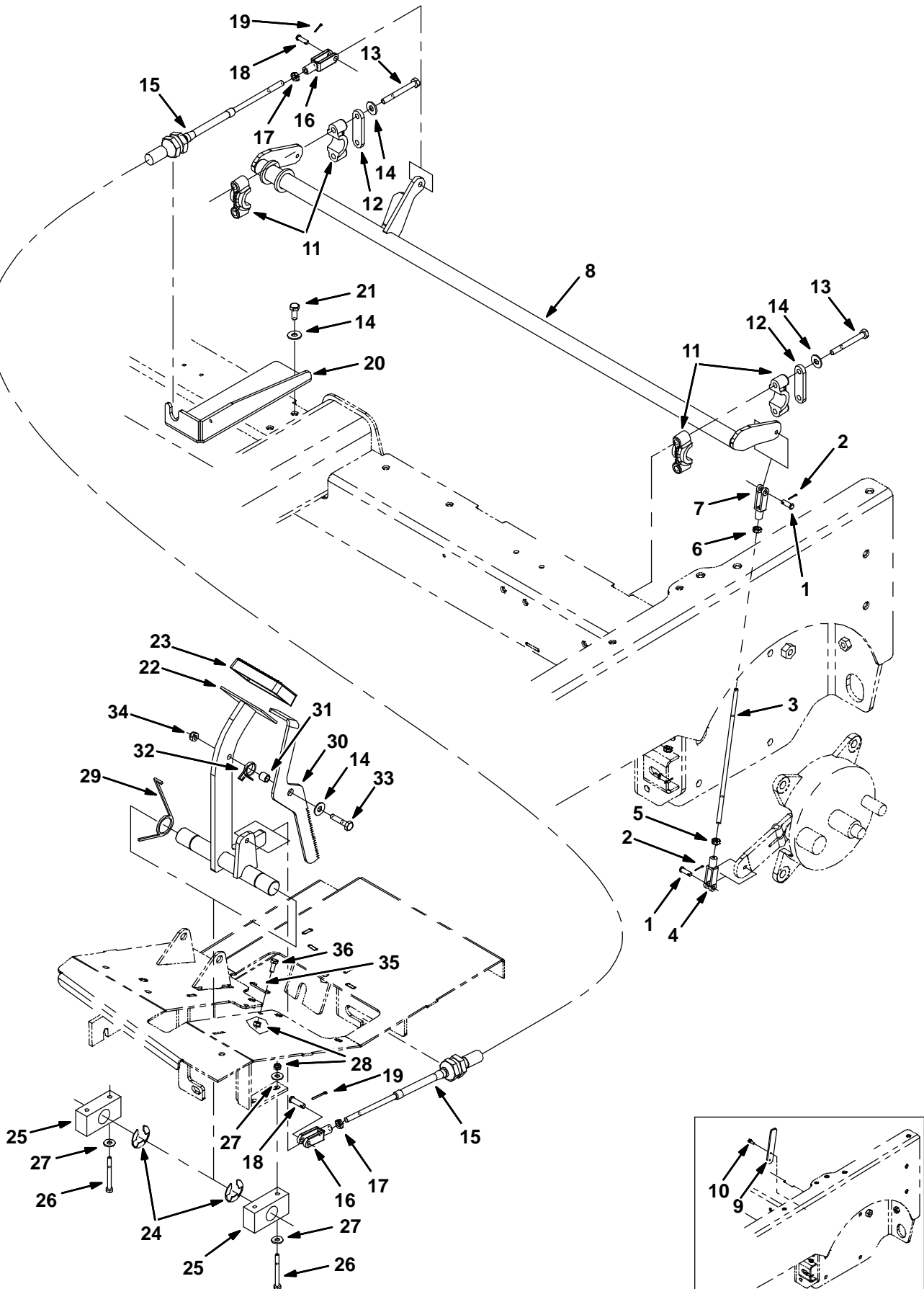


Fig. 45 – Brake Pedal Linkage Group

Ref.	Part No.	Serial Number	Description	Qty.
1	14605	(000000–)	Pin, Clevis, 0.25d X 0.75l	4
2	08170	(000000–)	Pin, Cotter, .062 X 0.50	4
3	364347	(000000–)	Rod	2
4	14595–1	(000000–)	Clevis, Adj, 0.25 Pin, 0.25–28 Rh, Pl	2
5	364948	(000000–)	Nut, Hex, Std, .25–28, Lh	2
6	01714	(000000–)	Nut, Hex, Std, .25–28	2
7	364864	(000000–)	Clevis, Adj, 0.25pin, 0.25–28left Pl	2
8	1022031	(000000–)	Shaft Wldt, Brake	1
9	1026025	(000000–xxxxxx)	Plate, Stop, Brake	2
10	361339	(000000–xxxxxx)	Screw, Hex, M6 X 1.0 X 16, Fmg	4
11	381502	(000000–)	Bearing, Split, 1.00b	4
12	382224	(000000–)	Plate, Sppt	2
13	39279	(000000–)	Screw, Hex, M8 X 1.25 X 70, 8.8	4
14	32491	(000000–)	Washer, Flat, 0.31, Std	7
15	1025495	(000000–)	Cable, Push / Pull, 063.0l 4.0, .31–24	1
16	58311	(000000–)	Clevis, Adj, 0.31pin, 0.31–24	2
17	20170	(000000–)	Nut, Hex, Jam, .31–24	2
18	69582	(000000–)	Pin, Clevis, 0.31d X 1.00l	2
19	08179	(000000–)	Pin, Cotter, .094 X 1.00	2
20	1022736	(000000–)	Bracket, Mtg, Cable	1
21	16931	(000000–)	Screw, Hex, M8 X 1.25 X 20, 8.8	2
22	1022243	(000000–)	Shaft Wldt, Pedal, Brake	1
23	51109	(000000–)	Pad, Pedal, Brake, 3.96l 2.36w 0.75	1
24	23788	(000000–)	Ring, Retaining, Ext, 0.98d, [E–Ring]	2
25	86751	(000000–)	Bearing, Pillowblock, 1.02b [Solid Pye]	2
26	06548	(000000–)	Screw, Hex, M6 X 1.0 X 60, 8.8	4
27	32490	(000000–)	Washer, Flat, 0.25 Std	8
28	08708	(000000–)	Nut, Hex, Lock, M6 X 1.0, NI	6
29	54607	(000000–)	Spring, Tors, 1.13id .12wir 02.3coil Rh	2
30	1025487	(000000–)	Pedal, Brake, Lock	1
31	46563	(000000–)	Bushing, Sleeve, 0.37b 0.50d 0.50l, Oib	1
32	59009	(000000–)	Spring, Tors, 0.75id .06wir 02.8coil	1
33	06955	(000000–)	Screw, Hex, M8 X 1.25 X 35, 8.8	1
34	08709	(000000–)	Nut, Hex, Lock, M8 X 1.25, NI	1
35	71367	(000000–)	Spring, Wir, 0.08d, Brake, Parking	1
36	06942	(000000–)	Screw, Hex, M6 X 1.0 X 16, 8.8	2

Fig. 46 – Directional Pedal Group

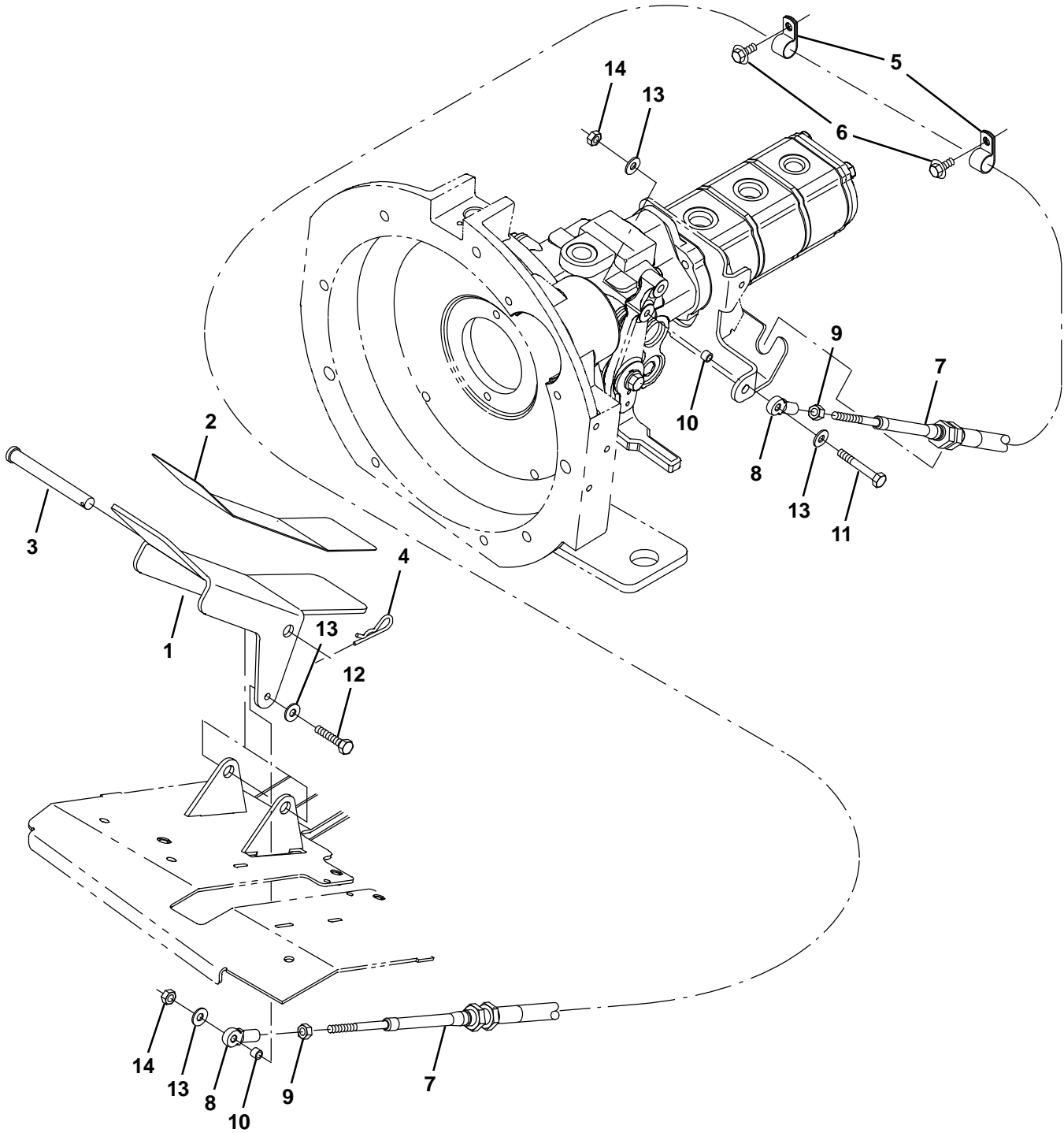


Fig. 46 – Directional Pedal Group

Ref.	Part No.	Serial Number	Description	Qty.
1	1025140	(000000–) Pedal, Propel	1
2	58819	(000000–) Tread, Non–Skid, 03.0w 11.6l	1
3	59668	(000000–) Pin, Clevis, 0.50 D X 4.50l	1
4	08182	(000000–) Pin, Cotter, .125 X 1.00	1
5	67767	(000000–) Clamp, Cable, Stl, 0.69d X 0.62w, 1h	2
6	361339	(000000–) Screw, Hex, M6 X 1.0 X 16, Fmg	2
7	1022345	(000000–) Cable, Push / Pull, 098.0l .25–28/.25–28	1
8	68866	(000000–) Rod–End, .25–28rh Fem 0.25b [Teflon]	2
9	01714	(000000–) Nut, Hex, Std, .25–28	2
10	65441	(000000–) Tube, 00.38d 00.26b 00.3l Stl Plt	2
11	41399	(000000–) Screw, Hex, .25–20 X 2.25, Ss	1
12	42180	(000000–) Screw, Hex, .25–20 X 1.75, Ss	1
13	32490	(000000–) Washer, Flat, 0.25 Std	4
14	41169	(000000–) Nut, Hex, Lock, .25–20, NI, Ss	2

Fig. 47 – Hydraulic Pump Linkage Group

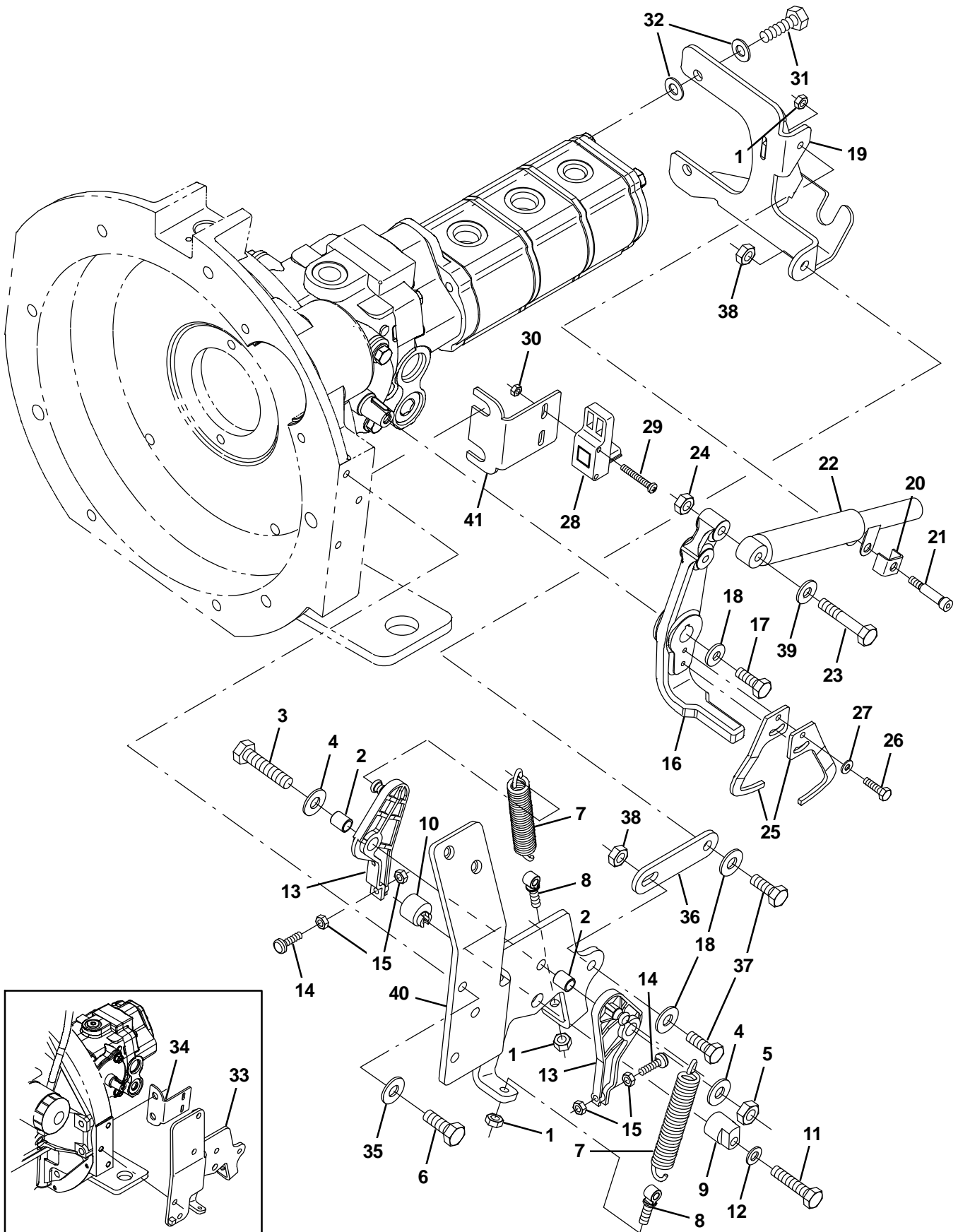


Fig. 47 – Hydraulic Pump Linkage Group

Ref.	Part No.	Serial Number	Description	Qty.
1	41169	(000000–)	Nut, Hex, Lock, .25–20, NI, Ss	3
2	63234	(000000–)	Tube, 00.50d 00.38b 00.6l Stl	2
3	42467	(000000–)	Screw, Hex, .38–16 X 2.00, Ss	1
4	32492	(000000–)	Washer, Flat, 0.38 Std	2
5	36643	(000000–)	Nut, Hex, Lock, .38–16, NI, Thin	1
6	21197	(000000–)	Screw, Hex, .38–16 X 1.00, 5	2
7	11842	(000000–)	Spring, Extn, 0.75od X 0.12wir, 4.3l	2
8	48079	(000000–)	Bolt, Eye, .25–20 X 1.40 X .25 Eye	1
9	53947	(000000–)	Cam, Centering, Pintle	1
10	54655	(000000–)	Cam, Centering, Pintle	1
11	74440	(000000–)	Screw, Hex, M8 X 1.25 X 40, Ss, NI	1
12	39349	(000000–)	Washer, Flat, 0.31 Sae	1
13	53953	(000000–)	Arm, Cntrl, Pintle, Centering	2
14	54205	(000000–)	Bumper, Rbr, 0.5d 0.16t M5 X 08	2
15	50335	(000000–)	Nut, Hex, Std, M5 X 0.8, 8	4
16	1027233	(000000–)	Arm, Pintle	1
17	83879	(000000–)	Screw, Hex, .31–24 X 0.75, NI	1
18	41186	(000000–)	Washer, Belleville, .31	3
19	1027313	(000000–)	Bracket Wldt, Propel, Pintle	1
20	84170	(000000–)	Bracket, Retainer, Safety	1
21	16213	(000000–)	Bolt, Shld, .31d X 1.00, .25–20	1
22	73411	(000000–)	Shock Absorber, 2.3 Strk	1
23	39278	(000000–)	Screw, Hex, M8 X 1.25 X 50, 8.8	1
24	08709	(000000–)	Nut, Hex, Lock, M8 X 1.25, NI	1
25	1022787	(000000–)	Arm [Positioning]	2
26	09252	(000000–)	Screw, Hex, M5 X 0.8 X 20, 8.8	2
27	01683	(000000–)	Washer, Flat, #10 Ss	2
28	1022779	(000000–)	Sensor, Spd / Dir, 6–30vdc	1
29	09198	(000000–)	Screw, Pan, M4 X 0.7 X 35, Ss	2
30	33932	(000000–)	Nut, Hex, Lock, M4 X 0.7, NI, Ss	2
31	46559	(000000–)	Screw, Hex, .38–16 X 1.25, NI	2
32	32485	(000000–)	Washer, Flat, 0.38 Sae	4
33	1022140	(000000–004999)	Bracket, Propel, Gas/Lpg	1
34	1022798	(000000–004999)	Bracket, Mtg, Cyl	1
35	41187	(000000–)	Washer, Flat, Belleville, .38	2
36	1032399	(000000–)	Strap, Sppt	1
37	09010	(000000–)	Screw, Hex, M8 X 1.25 X 25, Ss	2
38	08713	(000000–)	Nut, Hex, Lock, M8 X 1.25, NI, Ss	2
39	32490	(000000–)	Washer, Flat, 0.25 Std	1
40	1070798	(005000–)	Bracket, Propel, G/Lpg [Mit 2013]	1
41	1070819	(005000–)	Angle, Mtg	1

Fig. 48 – Cylindrical Scrub Brush Drive Group, Left Side

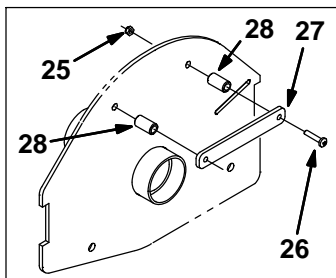
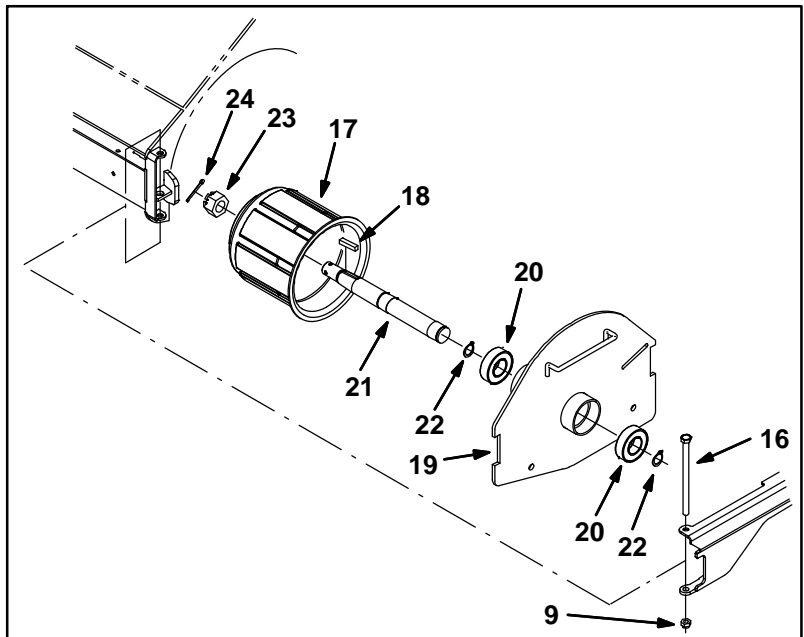
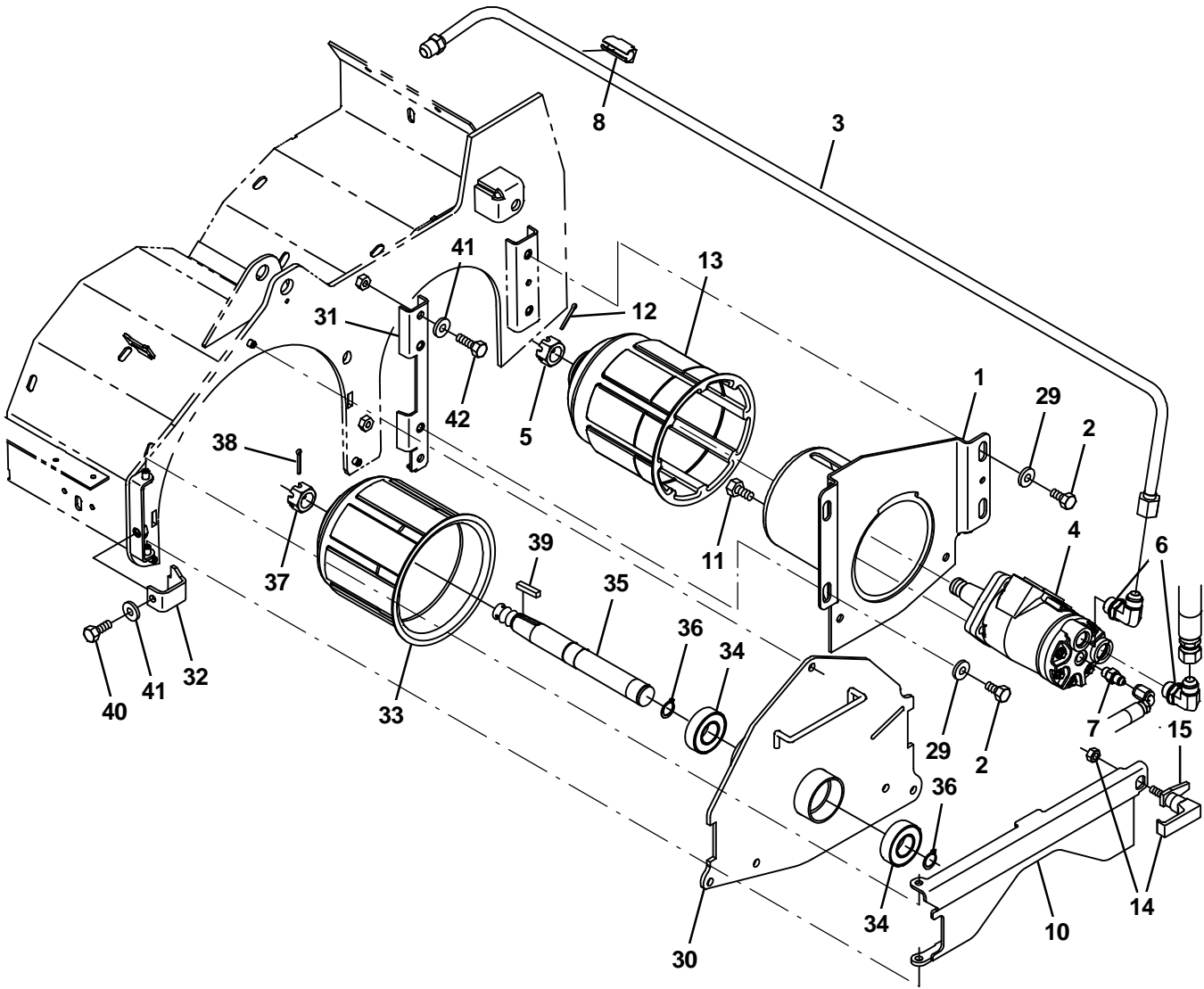


Fig. 48 – Cylindrical Scrub Brush Drive Group, Left Side

Ref.	Part No.	Serial Number	Description	Qty.	
1	1021019	(000000–)	Housing Wldt, Brush, Drive	1	
2	15675	(000000–)	Screw, Hex, M8 X 1.25 X 16, Ss	4	
3	1023617	(000000–)	Tube, Hyd, 08 Jf08/Jm08	1	
4	71729	(000000–002989)	Motor, Hyd, Gear, Int 04.5 Bi–Dir 1500 (See Breakdowns)	1	
▽	4	1068811	(002990–)	Motor, Hyd, Gear, Int 04.5 Bi–Dir 1500	1
▲	5	39527	(000000–)	Nut, Hex, Sltd, .75–16	1
6	44868	(000000–)	Fitting, Hyd, E90, Jm08/Om08	2	
7	55586	(000000–)	Fitting, Hyd, Str, Jm04/Om04	1	
8	1026080	(000000–)	Clamp, Hyd, 0.50d	1	
9	08713	(000000–003169)	Nut, Hex, Lock, M8 X 1.25, NI, Ss	1	
10	1029964	(000000–)	Door Wldt, Brush	1	
11	01762	(000000–)	Screw, Hex, .38–16 X 0.75, NI	4	
12	08175	(000000–)	Pin, Cotter, .125 X 1.25	1	
13	87631	(000000–002989)	Plug Wldt, Drive, Brush, Sweep	1	
13	1057643	(002990–)	Plug Wldt, Drive, Brush, Sweep	1	
14	65695	(000000–)	Latch	1	
15	1026352	(000000–)	Pawl, Str	1	
16	70563	(000000–003169)	Screw, Hex, M8 X 1.25 X 130, 8.8	1	
▽	9006398	(000000–003169)	Idler Assy, Brush, Replmt [M20/T20, M30]	1	
▲	17	25686	(000000–003169)	Plug Wldt, Drive, Brush	1
▲	18	00927	(000000–003169)	Key, Sq, 0.25 X 0.25, 1.25l	1
▲	19	1038258	(000000–003169)	Door Wldt, Brush, Idler	1
▲	20	13534	(000000–003169)	Bearing, Ball, 0.98b 2.05d 0.59w	2
▲	21	56078	(000000–003169)	Shaft, Brush, Idler	1
▲	22	09005	(000000–003169)	Ring, Retaining, Ext, 1.00d, Basic	2
▲	23	12295	(000000–003169)	Nut, Hex, Sltd, M20 X 2.5, 8	1
▲	24	08175	(000000–003169)	Pin, Cotter, .125 X 1.25	1
25	09739	(000000–001558)	Nut, Hex, Lock, M5 X 0.8, NI, Ss	2	
26	17185	(000000–001558)	Screw, Pan, M5 X 0.8 X 40, Ss	2	
27	1032743	(000000–001558)	Plate, Handle	1	
28	222496	(000000–001558)	Sleeve, P/M, 0.31b 0.50d 0.9l [430ss]	2	
29	32491	(000000–)	Washer, Flat, 0.31, Std	4	
30	1054857	(003170–)	Door Wldt, Brush, Idler	1	
31	1054575	(003170–)	Bracket, Sppt	1	
32	1054682	(003170–)	Bracket, Retainer, Lh	1	
33	25686	(003170–)	Plug Wldt, Drive, Brush	1	
34	13534	(003170–)	Bearing, Ball, 0.98b 2.05d 0.59w	2	
35	56078	(003170–)	Shaft, Brush, Idler	1	
36	09005	(003170–)	Ring, Retaining, Ext, 1.00d, Basic	2	
37	12295	(003170–)	Nut, Hex, Sltd, M20 X 2.5, 8	1	
38	08175	(003170–)	Pin, Cotter, .125 X 1.25	1	
39	00927	(003170–)	Key, Sq, 0.25 X 0.25, 1.25l	1	
40	09740	(003170–)	Screw, Hex, M8 X 1.25 X 20, Ss	1	
41	32491	(003170–)	Washer, Flat, 0.31, Std	3	
42	09010	(003170–)	Screw, Hex, M8 X 1.25 X 25, Ss	2	

STANDARD PARTS

Fig. 49 – Cylindrical Scrub Brush Drive Group, Right Side

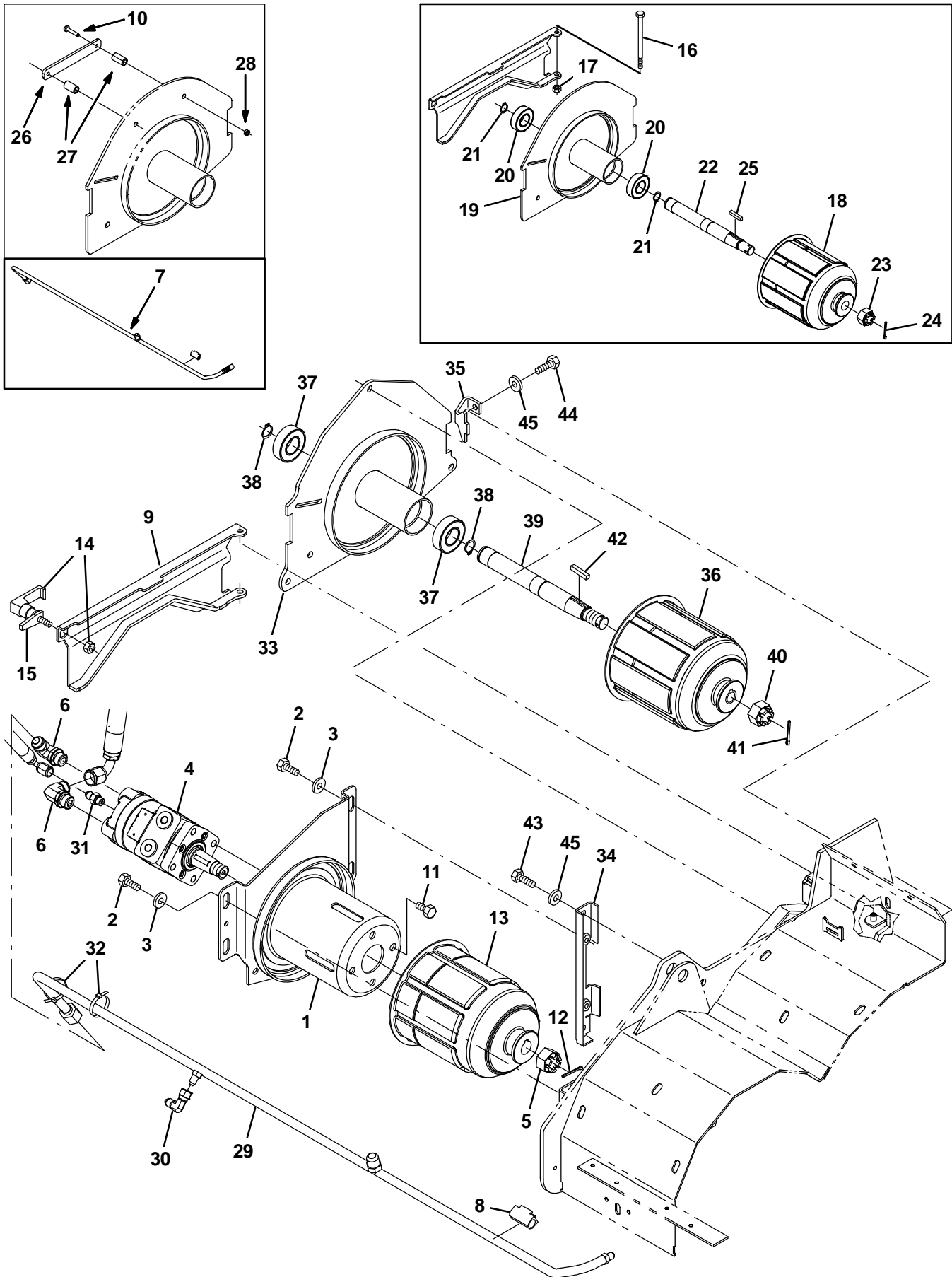


Fig. 49 – Cylindrical Scrub Brush Drive Group, Right Side

Ref.	Part No.	Serial Number	Description	Qty.	
1	1021019	(000000–)	Housing Wldt, Brush, Drive	1	
2	15675	(000000–)	Screw, Hex, M8 X 1.25 X 16, Ss	4	
3	32491	(000000–)	Washer, Flat, 0.31, Std	4	
4	71729	(000000–002989)	Motor, Hyd, Gear, Int 04.5 Bi–Dir 1500 (See Breakdowns)	1	
▽	4	1068811	(002990–)	Motor, Hyd, Gear, Int 04.5 Bi–Dir 1500	1
▲	5	39527	(000000–)	Nut, Hex, Slted, .75–16	1
6	44868	(000000–)	Fitting, Hyd, E90, Jm08/Om08	2	
7	9006386	(000000–002096)	Tube Kit, Hyd, Case Drain [M20/T20]	1	
8	1026080	(000000–)	Clamp, Hyd, 0.50d	1	
9	1029964	(000000–)	Door Wldt, Brush	1	
10	17185	(000000–001558)	Screw, Pan, M5 X 0.8 X 40, Ss	2	
11	01762	(000000–)	Screw, Hex, .38–16 X 0.75, NI	4	
12	08175	(000000–)	Pin, Cotter, .125 X 1.25	1	
13	87631	(000000–002989)	Plug Wldt, Drive, Brush, Sweep	1	
13	1057643	(002990–)	Plug Wldt, Drive, Brush, Sweep	1	
14	65695	(000000–)	Latch	1	
15	1026352	(000000–)	Pawl, Str	1	
16	70563	(000000–003169)	Screw, Hex, M8 X 1.25 X 130, 8.8	1	
17	08713	(000000–003169)	Nut, Hex, Lock, M8 X 1.25, NI, Ss	1	
▽	9006398	(000000–003169)	Idler Assy, Brush, Replmt [M20/T20, M30]	1	
▲	18	25686	(000000–003169)	Plug Wldt, Drive, Brush	1
▲	19	1038258	(000000–003169)	Door Wldt, Brush, Idler	1
▲	20	13534	(000000–003169)	Bearing, Ball, 0.98b 2.05d 0.59w	2
▲	21	09005	(000000–003169)	Ring, Retaining, Ext, 1.00d, Basic	2
▲	22	56078	(000000–003169)	Shaft, Brush, Idler	1
▲	23	12295	(000000–003169)	Nut, Hex, Slted, M20 X 2.5, 8	1
▲	24	08175	(000000–003169)	Pin, Cotter, .125 X 1.25	1
▲	25	00927	(000000–003169)	Key, Sq, 0.25 X 0.25, 1.25l	1
26	1032743	(000000–001558)	Plate, Handle	1	
27	222496	(000000–001558)	Sleeve, P/M, 0.31b 0.50d 0.9l [430ss]	2	
28	09739	(000000–001558)	Nut, Hex, Lock, M5 X 0.8, NI, Ss	2	
29	1055139	(002097–)	Tube, Hyd, Brush Return, W/ Cd [M20/T20]	1	
30	39210	(002097–)	Fitting, Hyd, E90, Jf04/Jm04	1	
31	55586	(002097–)	Fitting, Hyd, Str, Jm04/Om04	1	
32	49266	(002097–)	Tie, Cable, Nyl, 07.3l .19w 1.8 Max D	2	
33	1054857	(003170–)	Door Wldt, Brush, Idler	1	
34	1054575	(003170–)	Bracket, Sppt	1	
35	1054610	(003170–)	Bracket, Retainer, Rh	1	
36	25686	(003170–)	Plug Wldt, Drive, Brush	1	
37	13534	(003170–)	Bearing, Ball, 0.98b 2.05d 0.59w	2	
38	09005	(003170–)	Ring, Retaining, Ext, 1.00d, Basic	2	
39	56078	(003170–)	Shaft, Brush, Idler	1	
40	12295	(003170–)	Nut, Hex, Slted, M20 X 2.5, 8	1	
41	08175	(003170–)	Pin, Cotter, .125 X 1.25	1	
42	00927	(003170–)	Key, Sq, 0.25 X 0.25, 1.25l	1	
43	09010	(003170–)	Screw, Hex, M8 X 1.25 X 25, Ss	2	
44	09740	(003170–)	Screw, Hex, M8 X 1.25 X 20, Ss	1	
45	32491	(003170–)	Washer, Flat, 0.31, Std	3	

Fig. 50 – Cylindrical Scrub Brush Head Lift Group

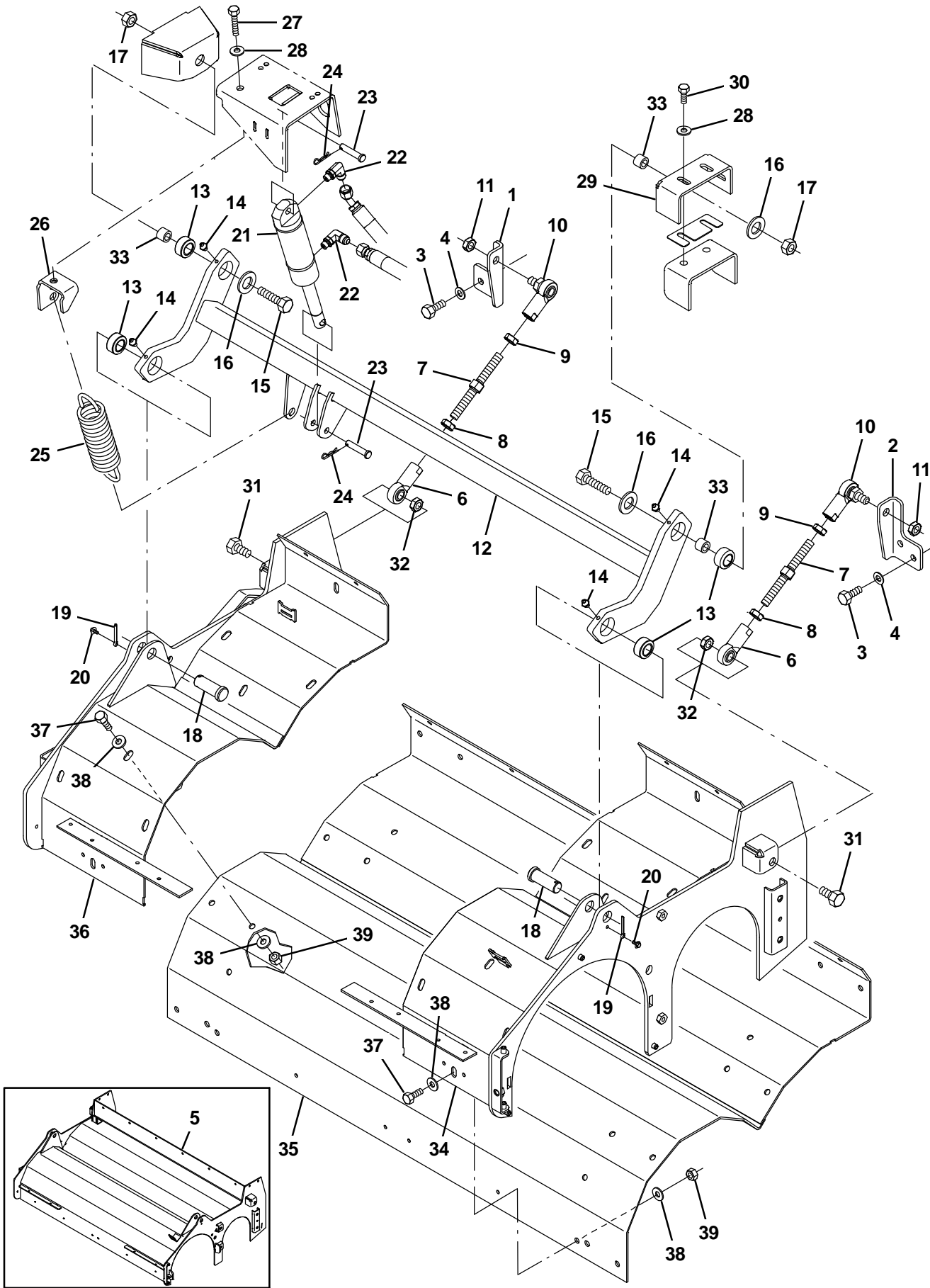


Fig. 50 – Cylindrical Scrub Brush Head Lift Group

Ref.	Part No.	Serial Number	Description	Qty.
1	1030910	(000000–)	Bracket, Mtg, Scb Head, Rh	1
2	1030911	(000000–)	Bracket, Mtg, Scb Head, Lh	1
3	09028	(000000–)	Screw, Hex, M10 X 1.5 X 25, Ss	4
4	32485	(000000–)	Washer, Flat, 0.38 Sae	4
5	1020002	(000000–003169)	Housing Wldt, Swp, Scb	1
6	67555	(000000–)	Rod–End, .50–20rh Fem 0.50b	2
7	1014705	(000000–)	Rod, Thrd, 2 End, .50–20 04.9l, Rh / Lh	2
8	48985	(000000–)	Nut, Hex, Jam, .50–20	2
9	71369	(000000–)	Nut, Hex, Jam, .50–20, Lh	2
10	382099	(000000–)	Rod–End, .50–20lh Fem 0.50–20stud	2
11	51824	(000000–)	Nut, Hex, Lock, .50–20, NI, Thin	2
12	1020003	(000000–)	Tube Wldt, Torque	1
13	42120	(000000–)	Bearing, Self Align, 0.75b 1.25d	4
14	07259	(000000–)	Fitting, Grease, Str Pm04 .47l	4
15	06969	(000000–)	Screw, Hex, M12 X 1.75 X 40, 8.8	2
16	41619	(000000–)	Washer, Flat, 0.56b 1.38d .11, Ss	2
17	09741	(000000–)	Nut, Hex, Lock, M12 X 1.75, NI, Ss	2
18	04733–12	(000000–)	Pin, Clevis, 0.75d X 2.00l	2
19	08236	(000000–)	Pin, Cotter, .156 X 1.25	2
20	223198	(000000–)	Screw, Hex, M5 X 0.8 X 10, Fmg	2
21	1038137	(000000–)	Cylinder, Hyd, 1.5b 07.8l 02.80strk 2500	1
22	77098	(000000–)	Fitting, Hyd, E90, Jm06/Om04	2
23	17461	(000000–)	Pin, Clevis, 0.37d X 1.75l	2
24	86866	(000000–)	Pin, Cotter, Hair, 0.38d .072 Wir	2
25	1042686	(000000–)	Spring, Extn, 2.00od 0.25wir 07.5l	1
26	1027810	(000000–)	Bracket, Mtg, Spring	1
27	763090	(000000–)	Screw, Hex, M8 X 1.25 X 60, FI	1
28	32491	(000000–)	Washer, Flat, 0.31, Std	4
29	1019146	(000000–)	Bracket, Mtg, Lift, Scb Head	1
30	09740	(000000–)	Screw, Hex, M8 X 1.25 X 20, Ss	3
31	39811	(000000–)	Screw, Hex, .50–13 X 1.50, 5	2
32	36644	(000000–)	Nut, Hex, Lock, .50–13, NI, Thin	2
33	1025100	(000000–)	Sleeve, P/M, 0.47b 0.75d 0.5l [430ss]	3
34	1052342	(003170–)	Bracket Wldt, Brush Wrap, Lh	1
35	1069562	(003170–)	Plate Wldt, Wrap, Brush	1
36	1052124	(003170–)	Bracket Wldt, Brush Wrap Mtg, Rh	1
37	09740	(003170–)	Screw, Hex, M8 X 1.25 X 20, Ss	10
38	32491	(003170–)	Washer, Flat, 0.31, Std	20
39	08713	(003170–)	Nut, Hex, Lock, M8 X 1.25, NI, Ss	10

Fig. 51 – Cylindrical Brush Head Skirt Group

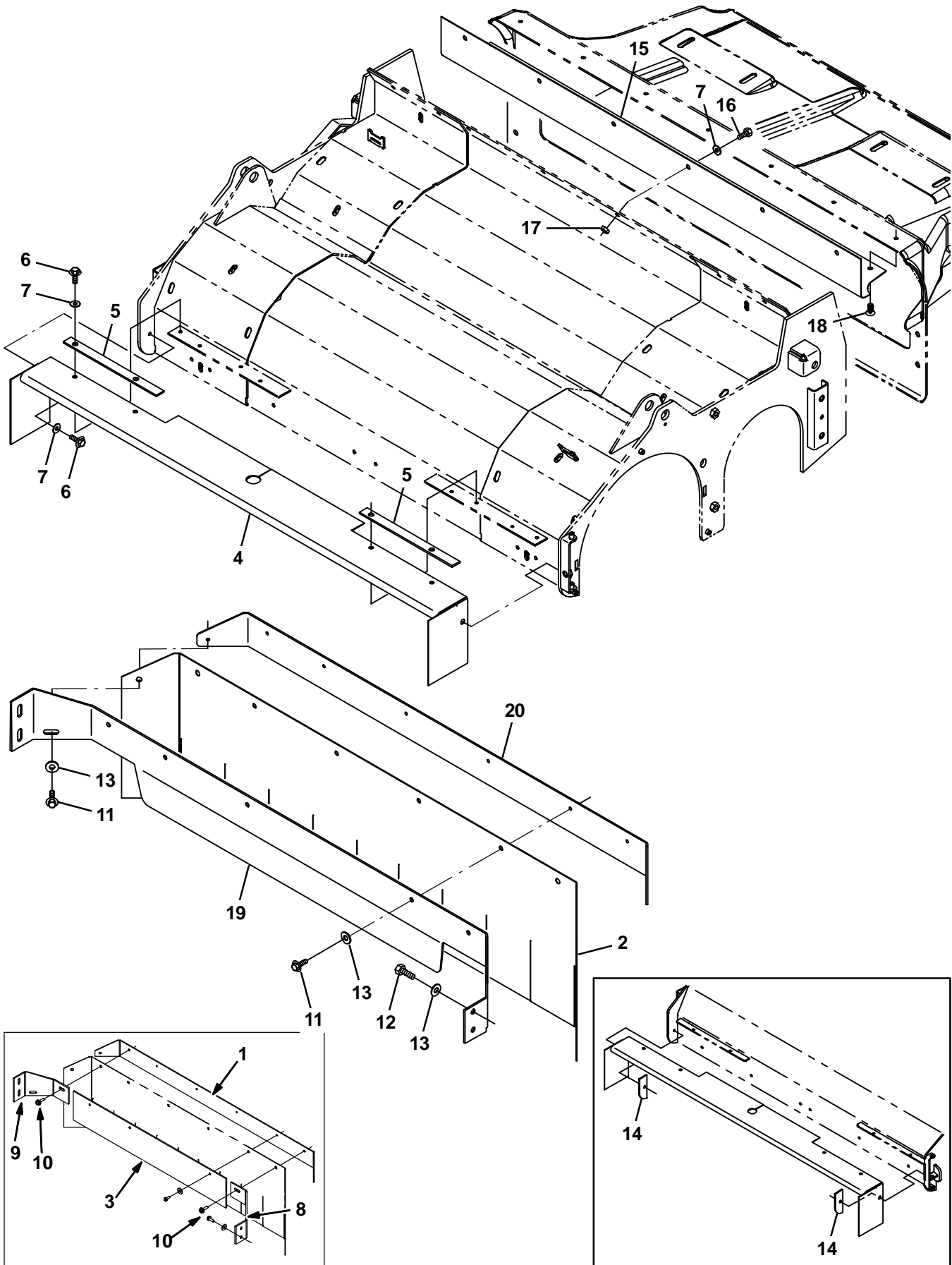


Fig. 51 – Cylindrical Brush Head Skirt Group

Ref.	Part No.	Serial Number	Description	Qty.
1	1020208	(000000–001603)	Plate, Skirt, Front	1
2	1020166	(000000–)	Skirt, Neo, .06, 12.00w 45.88l, 07 Hole	1
3	1020207	(000000–001603)	Retainer, Skirt, Front	1
4	1022363	(000000–)	Skirt, Neo, .06, 07.63w 51.52l, 11 Hole	1
5	1022003	(000000–)	Retainer, Skirt	2
6	361339	(000000–)	Screw, Hex, M6 X 1.0 X 16, Fmg	6
7	01684	(000000–)	Washer, Flat, 0.25, Ss	16
8	1024570	(000000–001603)	Bracket, Mtg, Skirt	1
9	1020163	(000000–001603)	Bracket, Mtg, Skirt	1
10	76099	(000000–001603)	Screw, Hex, M8 X 1.25 X 25, Fmg	4
11	361339	(000000–)	Screw, Hex, M6 X 1.0 X 16, Fmg	8
12	09740	(000000–)	Screw, Hex, M8 X 1.25 X 20, Ss	4
13	01685	(000000–)	Washer, Flat, 0.31, Ss	9
14	1022359	(000000–001002)	Plate, Mtg, Skirt, Scb Head (Replaced by None)	2
15	1025826	(000000–)	Angle, Deflector	1
16	08716	(000000–)	Screw, Hex, M6 X 1.0 X 20, Ss	6
17	08712	(000000–)	Nut, Hex, Lock, M6 X 1.00, Ss, NI	6
18	21168	(000000–)	Clip, .250h, Plstc [Pine-tree]	7
19	1039396	(001604–)	Bracket, Mtg, Skirt	1
20	1040018	(001604–)	Plate, Skirt, Front	1

Fig. 52 – Disk Scrub Head Drive Motor Group

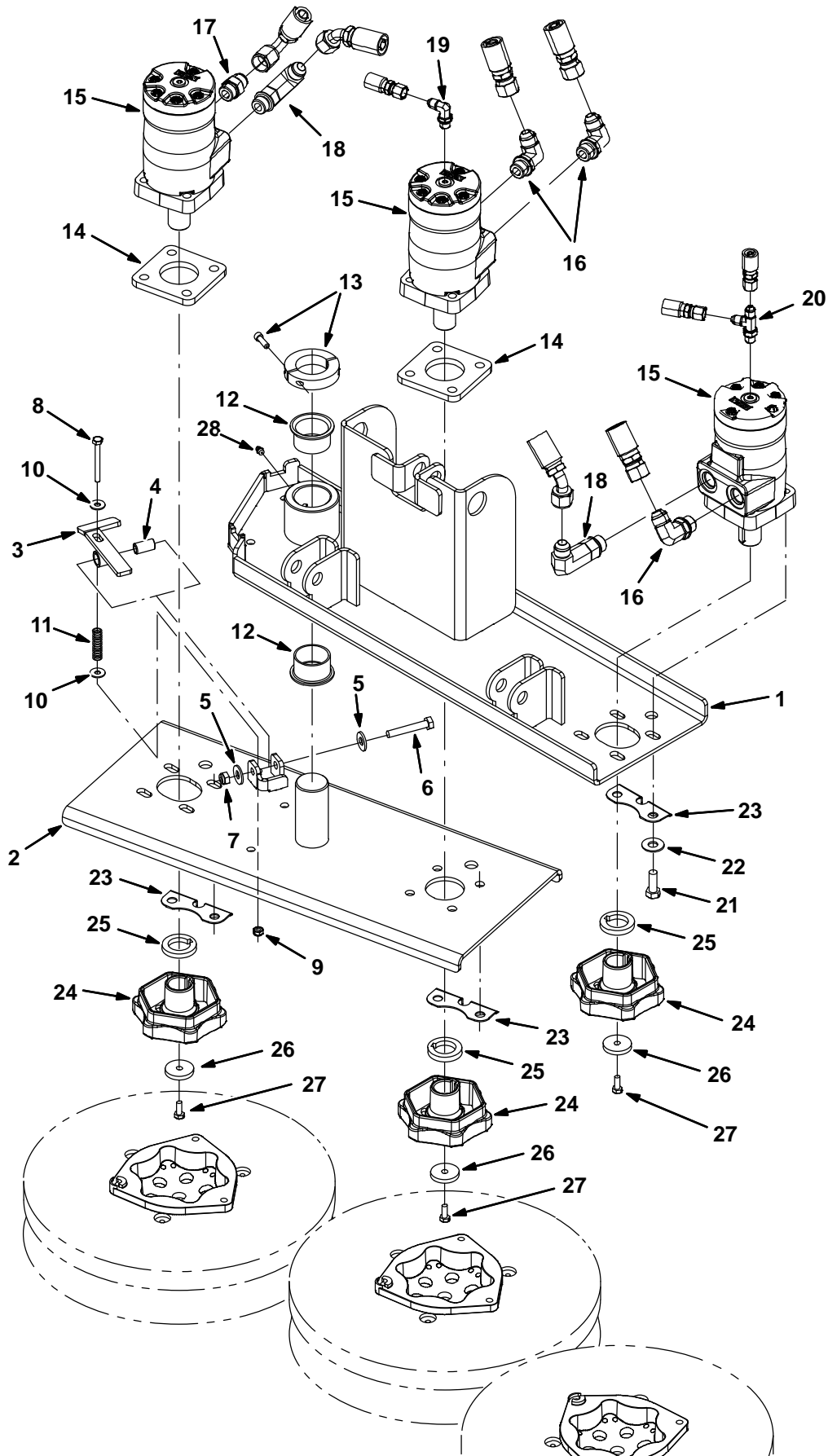


Fig. 52 – Disk Scrub Head Drive Motor Group

Ref.	Part No.	Serial Number	Description	Qty.
	1	9003247	(000000–) Head Wldt, Disk, Std, Replmt	1
	1	9003249	(000000–) Head Wldt, Disk, Replmt, Jp (Japn Only)	1
	2	1026101	(000000–) Head Wldt, Swing, Lower, 14.0	1
▽		9003061	(000000–) Latch Kit, Disk, Replmt [T20]	1
▲	3	1031286	(000000–) Latch Wldt, Head, Disk	1
▲	4	222496	(000000–) Sleeve, P/M, 0.31b 0.50d 0.9l [430ss]	1
▲	5	01685	(000000–) Washer, Flat, 0.31, Ss	2
▲	6	49694	(000000–) Screw, Hex, M8 X 1.25 X 50, Ss	1
▲	7	08713	(000000–) Nut, Hex, Lock, M8 X 1.25, NI, Ss	1
▲	8	58979	(000000–) Screw, Hex, M6 X 1.0 X 55, Ss	1
▲	9	08712	(000000–) Nut, Hex, Lock, M6 X 1.00, Ss, NI	1
▲	10	01684	(000000–) Washer, Flat, 0.25, Ss	2
▲	11	1031217	(000000–) Spring, Cmpr, 0.42od .06wir 1.50l	1
	12	54620	(000000–) Bushing, Flng, 1.50b 1.65d 1.00l	2
	13	70624	(000000–) Collar, Split, 1.50b .50w 2/Bolt	1
	14	1025968	(000000–) Spacer	2
	15	1024407	(000000–002989) Motor, Hyd, Gear, Int 09.7 Bi–Dir 2500 (See Breakdowns) (Replaced by 1068924)	3
	15	1068924	(002990–) Motor, Hyd, Gear, Int 09.7 Bi–Dir 2500	3
	16	44868	(000000–) Fitting, Hyd, E90, Jm08/Om08	3
	17	44869	(000000–) Fitting, Hyd, Str, Jm08/Om08	1
	18	69173	(000000–) Fitting, Hyd, E90, Jm08/Om08, L	2
	19	77097	(000000–) Fitting, Hyd, E90, Jm04/Om04	1
	20	34390	(000000–) Fitting, Hyd, Tee, Jm04/Jm04/Om04, Run	1
	21	21197	(000000–) Screw, Hex, .38–16 X 1.00, G5	12
	22	32492	(000000–) Washer, Flat, 0.38, Std	12
	23	1028495	(000000–) Brkt, Ftg	3
	24	1042963	(000000–) Hub, Drive, Brush, Disk, 1.00B [6T]	3
	25	25611	(000000–) Spacer, Hub, Keyed	3
	26	19191	(000000–) Spacer	3
	27	25046	(000000–) Screw, Hex, .25–20 X 1.00, G5	3
	28	07259	(000000–) Fitting, Grease. Str Pm04 .47L	1

Fig. 53 – Disk Scrub Head Lift Group

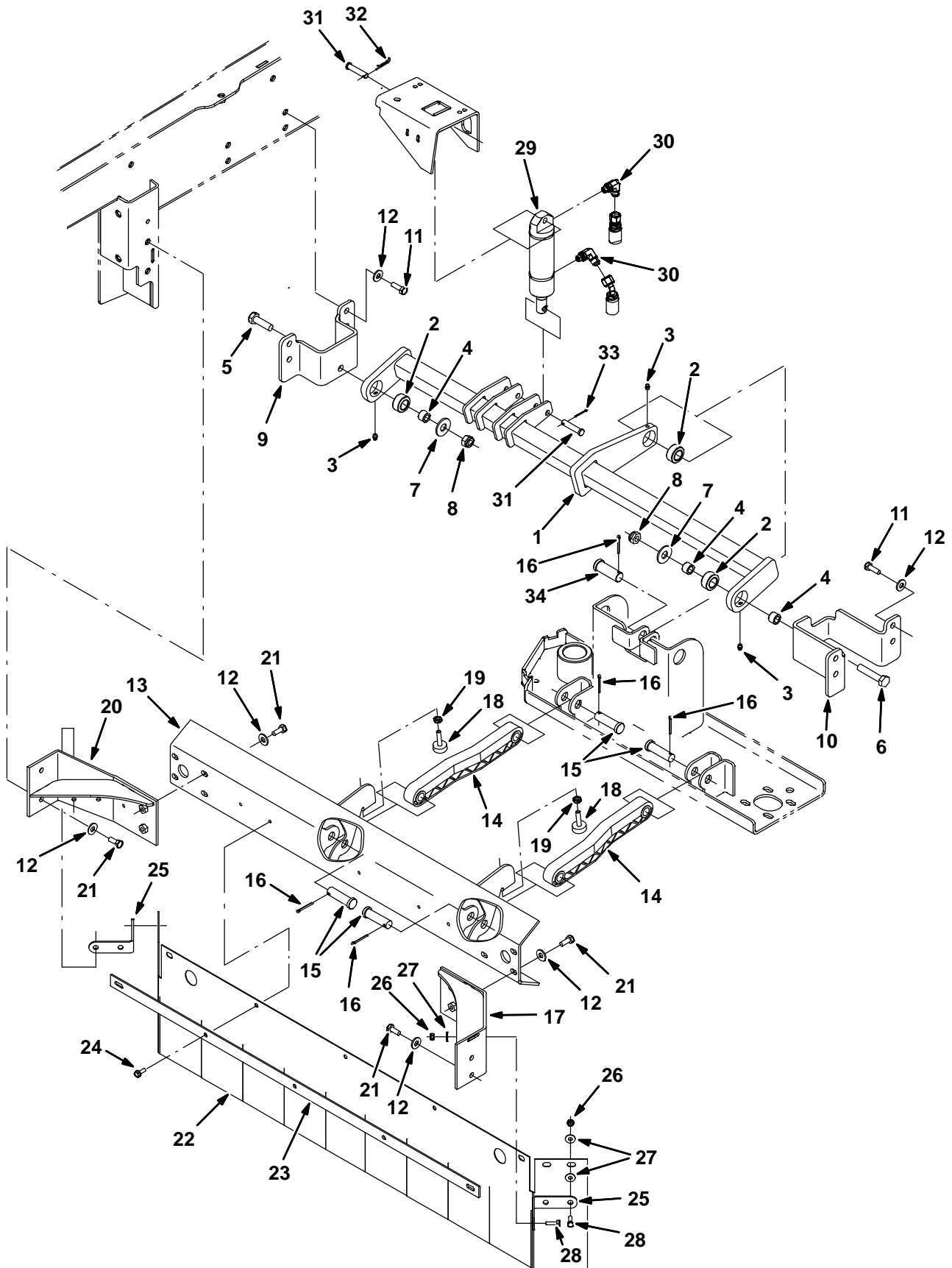


Fig. 53 – Disk Scrub Head Lift Group

Ref.	Part No.	Serial Number	Description	Qty.
1	1026130	(000000–) Tube Wldt, Torque	1
2	42120	(000000–) Bearing, Self Align, 0.75b 1.25d	3
3	07259	(000000–) Fitting, Grease, Str Pm04 .47l	3
4	1025100	(000000–) Sleeve, P/M, 0.47b 0.75d 0.5l [430ss]	3
5	06969	(000000–) Screw, Hex, M12 X 1.75 X 40, 8.8	1
6	06972	(000000–) Screw, Hex, M12 X 1.75 X 60, 8.8	1
7	41619	(000000–) Washer, Flat, 0.56b 1.38d .11, Ss	2
8	09741	(000000–) Nut, Hex, Lock, M12 X 1.75, NI, Ss	2
9	1025041	(000000–) Bracket, Mtg, Torque Tube	1
10	1030558	(000000–) Bracket, Mtg, Torque Tube	1
11	09010	(000000–) Screw, Hex, M8 X 1.25 X 25, Ss	8
12	32491	(000000–) Washer, Flat, 0.31, Std	16
13	1039469	(000000–) Bracket Wldt, Arm, Lower Cntrl	1
14	222027	(000000–) Arm, Lift, Head [5700]	2
15	222210	(000000–) Pin, Clevis, 0.62d X 2.12l	44
16	08175	(000000–) Pin, Cotter, .125 X 1.25	5
17	1025198	(000000–) Bracket Wldt, Head, Lower, Lh	1
18	1039468	(000000–) Bumper, Rbr, 1.00d 0.38th M8x1.25	2
19	07786	(000000–) Nut, Hex, Std, M8 X 1.25, Ss	2
20	1025320	(000000–) Bracket Wldt, Head, Lower, Rh	1
21	09740	(000000–) Screw, Hex, M8 X 1.25 X 20, Ss	8
22	1028433	(000000–) Skirt, Front, Disk Head	1
23	1028446	(000000–) Retainer, Skirt, Disk Head	1
24	361339	(000000–) Screw, Hex, M6 X 1.0 X 16, Fmg	5
25	1028440	(000000–) Bracket, Angle, Sppt, Shield	2
26	08712	(000000–) Nut, Hex, Lock, M6 X 1.00, Ss, NI	8
27	01684	(000000–) Washer, Flat, 0.25, Ss	12
28	08716	(000000–) Screw, Hex, M6 X 1.0 X 20, Ss	8
29	379030	(000000–) Cylinder, Hyd, 1.5b,07.8l,02.80strk,2500	1
30	77098	(000000–) Fitting, Hyd, E90, Jm06/Om04	2
31	17461	(000000–) Pin, Clevis, 0.37d X 1.75l	2
32	86866	(000000–) Pin, Cotter, Hair, 0.38d .072 Wir	1
33	08179	(000000–) Pin, Cotter, .094 X 1.00	1
34	04733–12	(000000–) Pin, Clevis, 0.75d X 2.00l	1

Fig. 54 – Rear Squeegee Lift Group

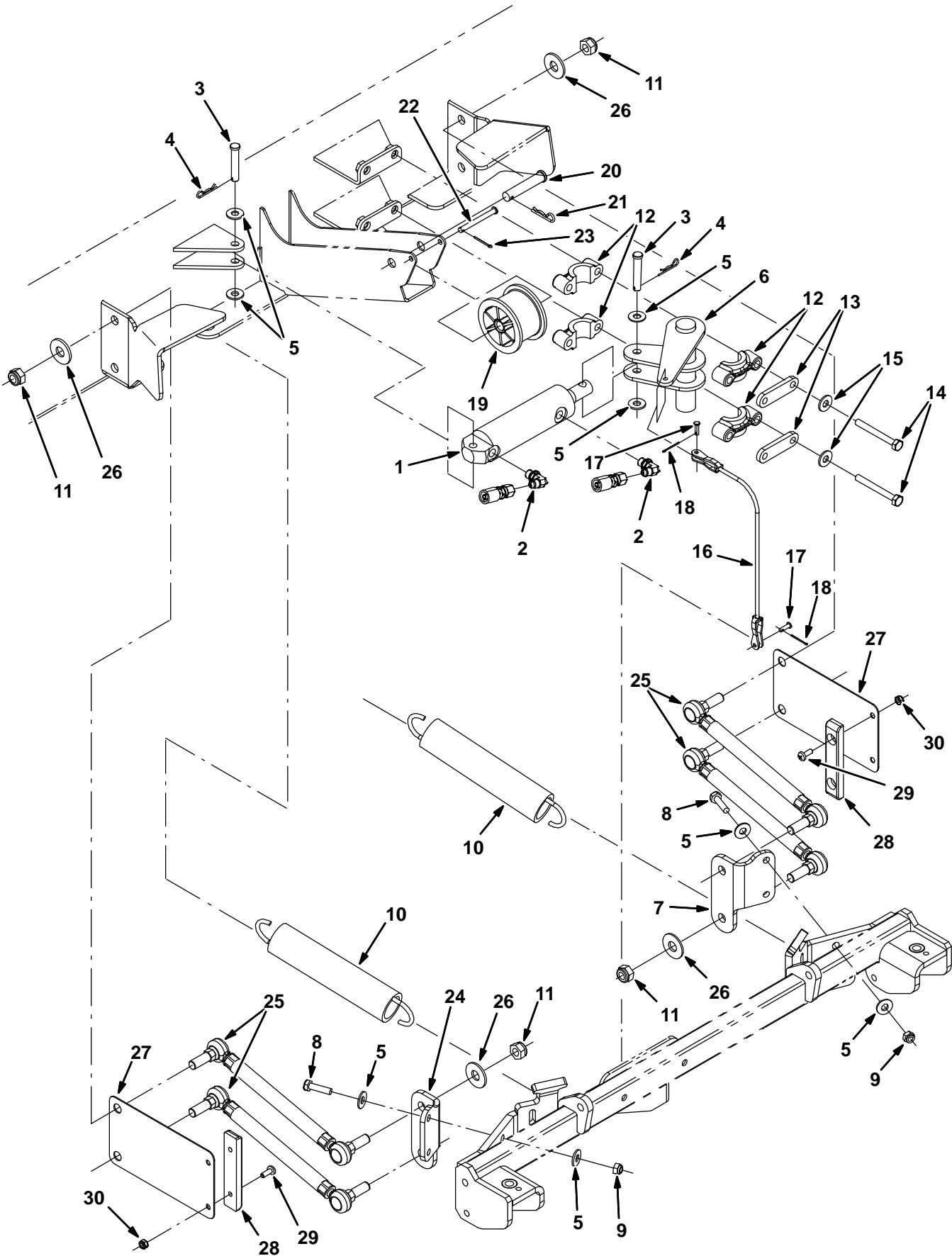


Fig. 54 – Rear Squeegee Lift Group

Ref.	Part No.	Serial Number	Description	Qty.	
1	379030	(000000–) Cylinder, Hyd, 1.5b,07.8l,02.80strk,2500	1	
2	77097	(000000–) Fitting, Hyd, E90, Jm04/Om04	2	
3	29584	(000000–) Pin, Clevis, 0.37d X 2.00l	2	
4	86866	(000000–) Pin, Cotter, Hair, 0.38d .072 Wir	2	
5	01685	(000000–) Washer, Flat, 0.31, Ss	12	
6	1022903	(000000–) Shaft Wldt, Arm, Lift	1	
7	1026804	(000000–) Angle, Protector, Lh	1	
8	09011	(000000–) Screw, Hex, M8 X 1.25 X 30, Ss	4	
9	08713	(000000–) Nut, Hex, Lock, M8 X 1.25, NI, Ss	4	
10	71100	(000000–) Spring, Extn, 1.69od X 0.20wir, 9.5l	2	
11	09741	(000000–) Nut, Hex, Lock, M12 X 1.75, NI, Ss	8	
12	381502	(000000–) Bearing, Split, 1.00b	4	
13	382224	(000000–) Plate, Sppt	2	
14	09767	(000000–) Screw, Hex, M8 X 1.25 X 70, Ss	4	
15	32491	(000000–) Washer, Flat, 0.31, Std	4	
16	71101	(000000–) Cable, Ss .12d 013.3l .2clevis /.2clevis	1	
17	77488	(000000–) Pin, Clevis, 0.19d X 0.63l	2	
18	39005	(000000–) Pin, Cotter, .094X0.75	2	
19	223054	(000000–) Drum, Cable, Lift	1	
20	06279	(000000–) Pin, Clevis, 0.50d X 2.50l	1	
21	08179	(000000–) Pin, Cotter, .094 X 1.00	1	
22	04733–10	(000000–) Pin, Clevis, 0.25d X 2.44l	1	
23	08178	(000000–) Pin, Cotter, .062 X 0.75	1	
24	1026806	(000000–) Angle, Protector, Rh	1	
25	1026007	(000000–) Link Assy, Rod–End, M12	4	
26	41619	(000000–) Washer, Flat, 0.56b 1.38d .11, Ss	8	
▽	9003060	(000000–) Spring Kit, Flat, Replmt [T20]	1	
▲	27	1028049	(000000–) Spring, Flat, .06 X 4.13 X 6.5l 4 Hole	2
▲	28	1024648	(000000–) Block, Centering	4
▲	29	367770	(000000–) Screw, Pan, M6 X 1.0 X 16, Ss	4
▲	30	08712	(000000–) Nut, Hex, Lock, M6 X 1.00, Ss, NI	4

Fig. 55 – Squeegee Group, Rear

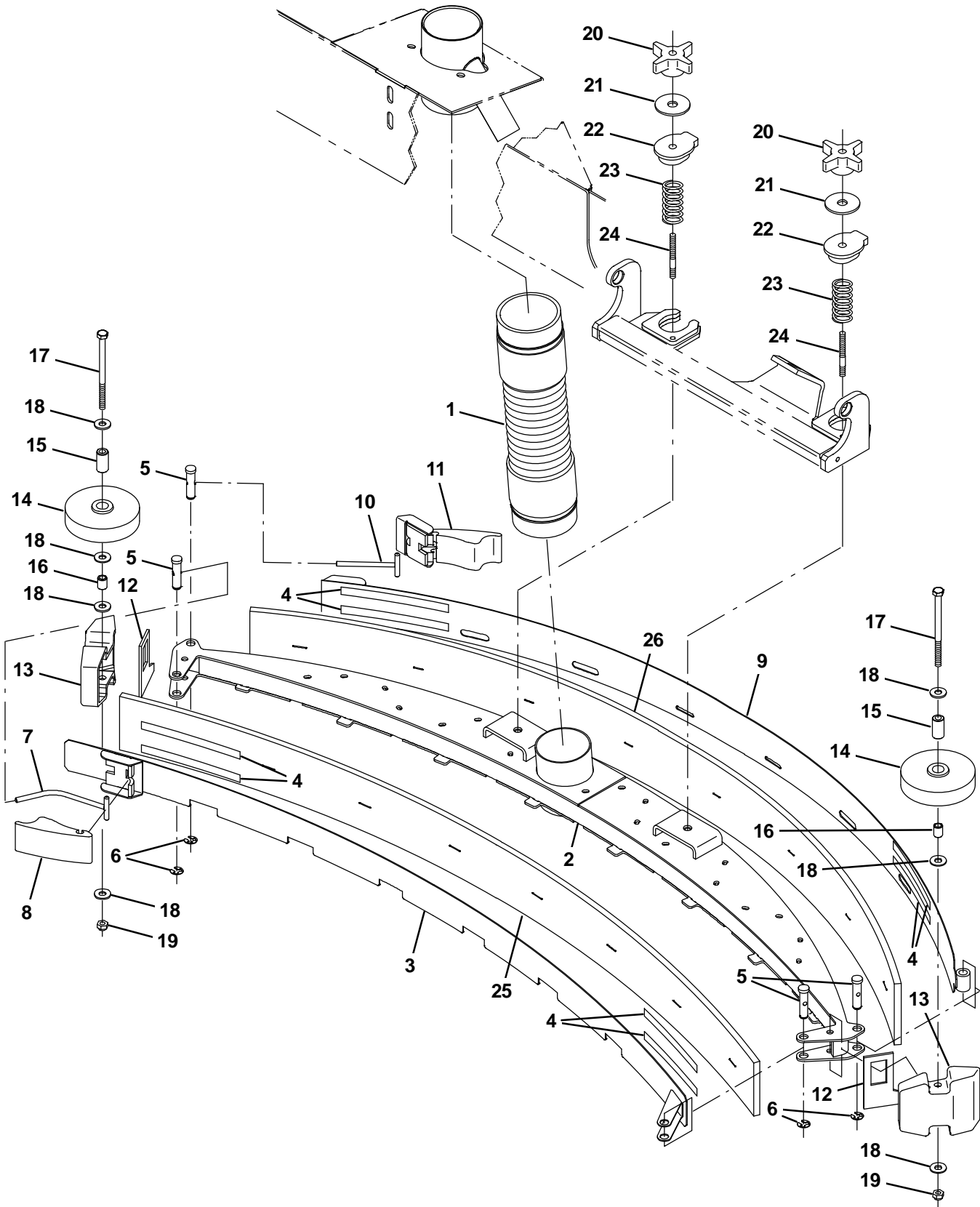


Fig. 55 – Squeegee Group, Rear

Ref.	Part No.	Serial Number	Description	Qty.
	1	1028236	(000000–) Hose Assy, W/2cuff, 3.0d 14l 3.0/3.0	1
▽		9004493	(000000–) Squeegee Kit, Rear, Replmt [M20/T20]	1
▲	2	1022831	(000000–) Squeegee Wldt, Rear	1
▲	3	1023239	(000000–) Clamp Wldt, Front	1
▲	4	03495	(000000–) Strip, Non-Slip, 0.50w 06.0l	8
▲	5	21603	(000000–) Pin, Grvd, 0.43d 01.8l [303ss]	4
▲	6	24555	(000000–) Ring, Retaining, Ext, 0.38d, [E-Ring]	4
▲	7	386298	(000000–) Pin Wldt, Front	1
▲	8	21601	(000000–) Cam	1
▲	9	1028374	(000000–) Clamp Wldt, Rear	1
▲	10	21606	(000000–) Bar Wldt, Retainer, Sqge, Rear	1
▲	11	21602	(000000–) Cam, Rear	1
▲	12	83874	(000000–) Gasket, Sqge	2
▲	13	386264	(000000–) Bumper, Sqge	2
▲	14	363162	(000000–) Wheel, 4.0d 0.89w 0.64b	2
▲	15	363301	(000000–) Sleeve, P/M, 0.34b 0.63d 1.2l, Bnz	2
▲	16	80395	(000000–) Sleeve, P/M, 0.31b 0.50d 0.7l [430ss]	2
▲	17	364441	(000000–) Screw, Hex, M8 X 1.25 X 110, Ss	2
▲	18	01685	(000000–) Washer, Flat, 0.31, Ss	10
▲	19	08713	(000000–) Nut, Hex, Lock, M8 X 1.25, NI, Ss	2
	20	370100	(000000–) Knob, Star, 2.80d 4ear 1.1l .31–18 Pyp	2
	21	04414	(000000–) Washer, Flat, 0.53b 1.88d .12, Stl, Pl	2
	22	387433	(000000–) Ring, Mtg, Sqge, .50l	2
	23	387500	(000000–) Spring, Cmpr, 0.9od .042wir 02.0l	2
	24	387237	(000000–) Stud, .31–18 2.75l M8 X 1.25, Ss	2
	25	1027719	(000000–) Blade, Sqge, Front, 49.58l Ure (Option)	1
	25	1017868	(000000–) Blade, Sqge, Front, 49.58l Linatex	1
	26	1031945	(000000–) Blade, Sqge, Rear, 53.78l Ure (Option)	1
	26	1031331	(000000–) Blade, Sqge, Rear, Linatex	1

Fig. 56 – Cylindrical Scrub Head Debris Tray Mount Group

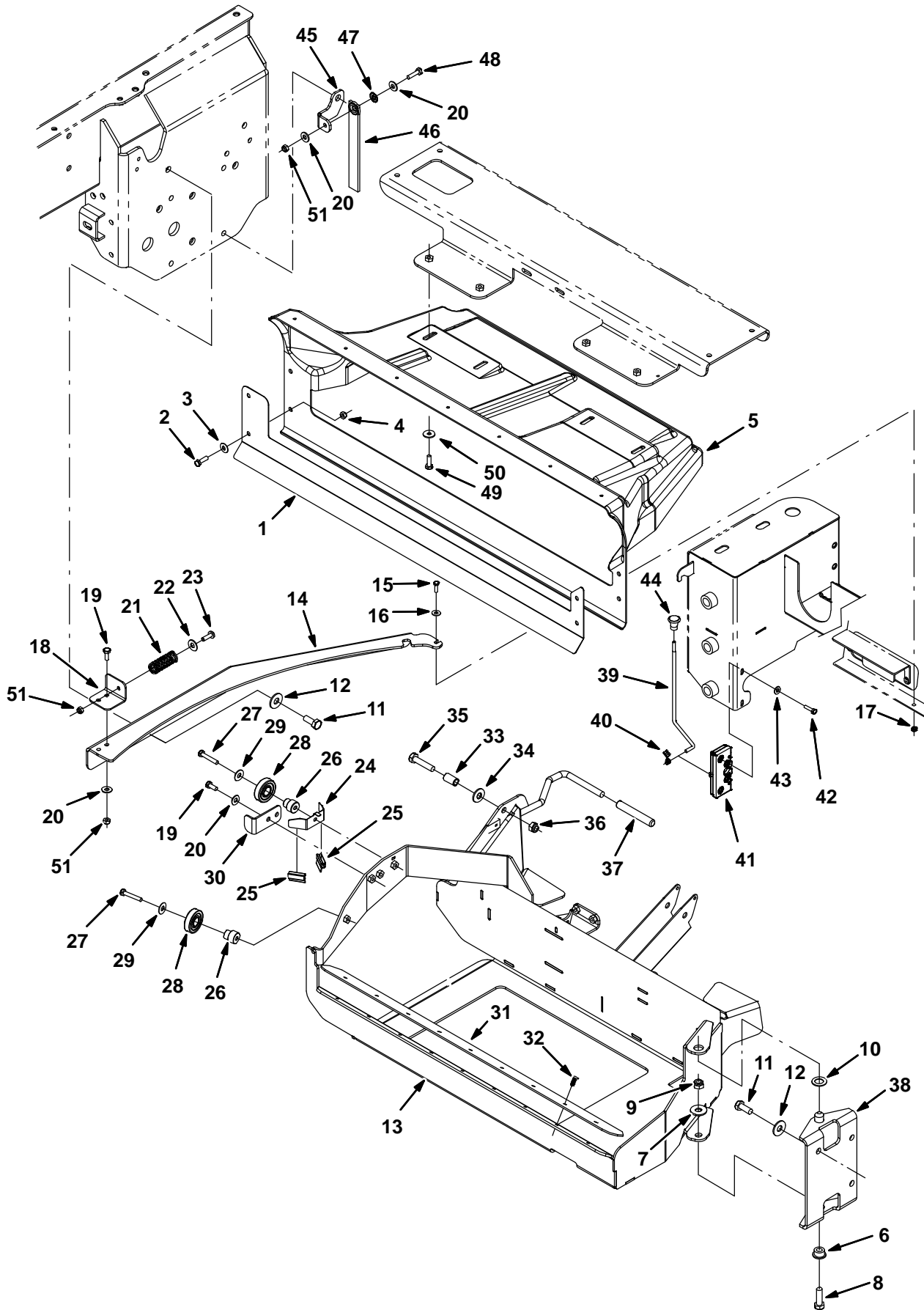


Fig. 56 – Cylindrical Scrub Head Debris Tray Mount Group

Ref.	Part No.	Serial Number	Description	Qty.
▽	9003059	(000000–)) Shield Kit, Debris, Replmt [T20]	1
▲	1 1028334	(000000–)) Bracket, Sppt, Shield	1
▲	2 09010	(000000–)) Screw, Hex, M8 X 1.25 X 25, Ss	4
▲	3 1017218	(000000–)) Washer, Flat, 0.32b 1.00d .12, Ss	4
▲	4 08713	(000000–)) Nut, Hex, Lock, M8 X 1.25, NI, Ss	4
▲	5 1024658	(000000–)) Shield, Tray, Debris [Trimmed]	1
	6 391804	(000000–)) Sleeve, Flng, 0.48b 1.25/0.88d 0.6l, Stl	1
	7 32493	(000000–)) Washer, Flat, 0.50, Std	1
	8 09029	(000000–)) Screw, Hex, M12 X 1.75 X 40, Ss	1
	9 09741	(000000–)) Nut, Hex, Lock, M12 X 1.75, NI, Ss	1
	10 53782	(000000–)) Bearing, Thrust, 0.75b 1.25d 0.06w	1
	11 12309	(000000–)) Screw, Hex, M12 X 1.75 X 30, Ss	6
	12 32493	(000000–)) Washer, Flat, 0.50, Std	6
	13 1023334	(000000–)) Frame Wldt, Hppr	1
	14 1022683	(000000–)) Guide, Rlr	1
	15 08716	(000000–)) Screw, Hex, M6 X 1.0 X 20, Ss	1
	16 01684	(000000–)) Washer, Flat, 0.25, Ss	1
	17 08712	(000000–)) Nut, Hex, Lock, M6 X 1.00, Ss, NI	1
	18 1027108	(000000–)) Bracket, Spring	1
	19 09740	(000000–)) Screw, Hex, M8 X 1.25 X 20, Ss	4
	20 01685	(000000–)) Washer, Flat, 0.31, Ss	6
	21 45261	(000000–)) Spring, Cmpr, 0.97od .11wir 2.5l	1
	22 01686	(000000–)) Washer, Flat, 0.44b 1.00d .08, Ss	1
	23 367771	(000000–)) Screw, Pan, M8 X 1.25 X 25, Ss	1
	24 1027147	(000000–)) Clip, Wiper	1
	25 1031351	(000000–)) Seal, Wiper	2
	26 1023685	(000000–)) Spacer, Rlr	2
	27 222505	(000000–)) Screw, Hex, M8 X 1.25 X 45, Ss	2
	28 760740	(000000–)) Bearing, Rlr, Cam 52 X 14 X 20	2
	29 1017218	(000000–)) Washer, Flat, 0.32b 1.00d .12, Ss	2
	30 1027143	(000000–)) Bracket, Angle, Stop	1
▽	31 9003058	(000000–)) Lip Kit, Debris, Replmt [T20]	1
▲	32 21168	(000000–)) Clip, .250h, Plstc [Pine-Tree]	9
	33 1039348	(000000–)) Sleeve, 0.49b 0.68d 1.2l [304ss]	1
	34 36328	(000000–)) Washer, Flat, Belleville, .50	1
	35 379870	(000000–)) Screw, Hex, M12 X 1.75 X 55, Ss	1
	36 09741	(000000–)) Nut, Hex, Lock, M12 X 1.75, NI, Ss	1
	37 1028249	(000000–)) Grip, Handle, .50d 4.0l Yel	1
	38 1022668	(000000–)) Bracket Wldt, Pivot	1
	39 1023917	(000000–)) Rod, Latch	1
	40 1031305	(000000–)) Clip, Retainer, .25d	1
	41 21623	(000000–)) Latch	1
	42 09007	(000000–)) Screw, Hex, M6 X 1.0 X 25, Ss	2
	43 41185	(000000–)) Washer, Flat, Belleville, .25	2
	44 1032546	(000000–)) Knob, Rnd, 1.04d 1.18l .25–20 Yel Plstc	1
	45 1031152	(000000–)) Bracket, Mtg, Static Strap	1
	46 71579	(000000–)) Strap, Static, .19 1.1w 25.0l W/ Grommet	1
	47 41141	(000000–)) Washer, Lock, Int–Ext, 0.31	1
	48 09011	(000000–)) Screw, Hex, M8 X 1.25 X 30, Ss	1
	49 09010	(000000–)) Screw, Hex, M8 X 1.25 X 25, Ss	4
	50 1017218	(000000–)) Washer, Flat, 0.32b 1.00d .12, Ss	4
	51 08713	(000000–)) Nut, Hex, Lock, M8 X 1.25, NI, Ss	4

Fig. 57 – Cylindrical Scrub Head Debris Tray Group

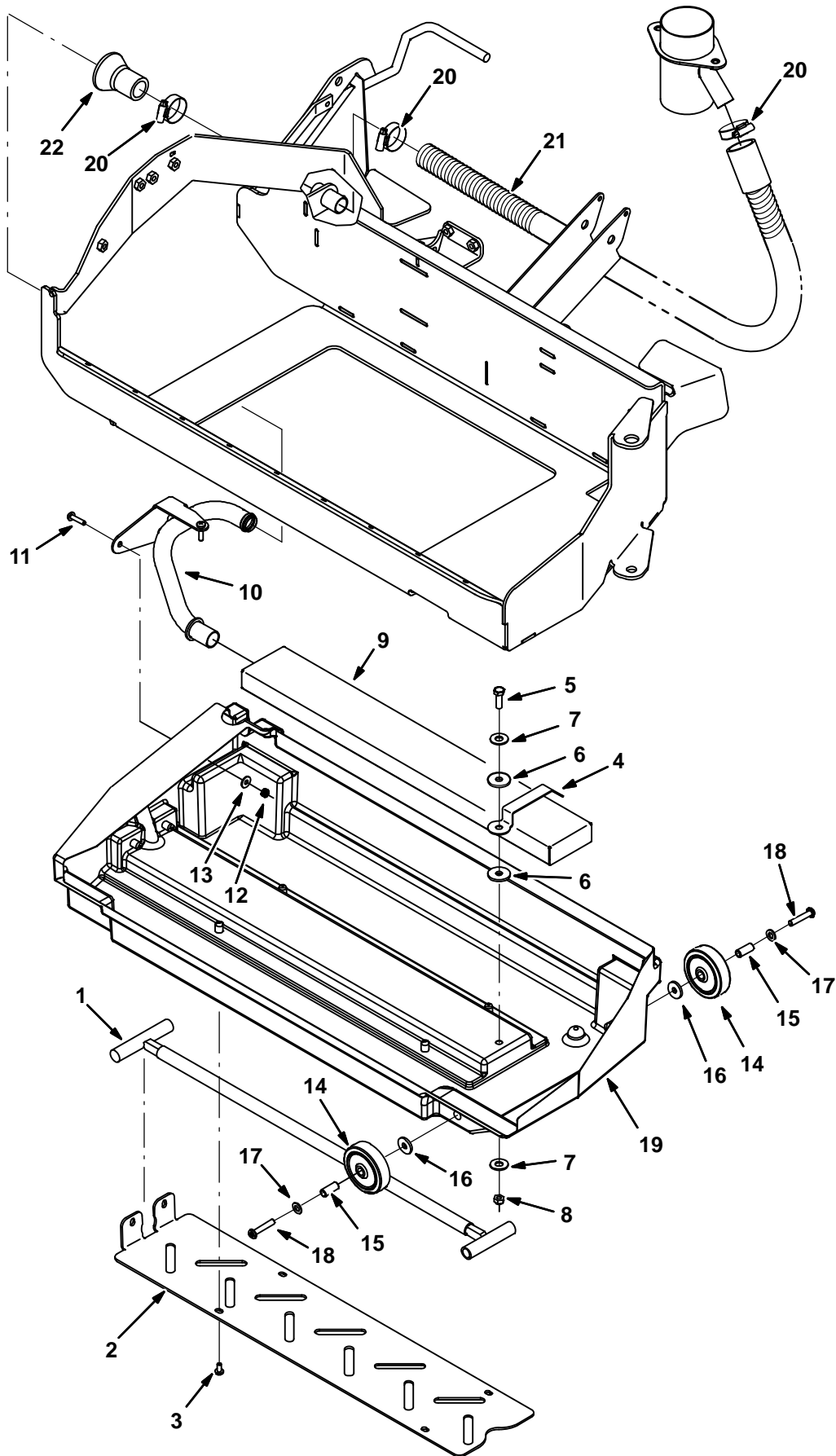


Fig. 57 – Cylindrical Scrub Head Debris Tray Group

Ref.	Part No.	Serial Number	Description	Qty.
▽	9003055	(000000–) Tray Kit, Debris, Replmt [T20]	1
▲	1 1026417	(000000–) Handle Wldt, T, Hpr	1
▲	2 1026195	(000000–) Panel, Access, Debris Tray	1
▲	3 74027	(000000–) Screw, Pan, M6 X 1.0 X 12, Ss, NI	6
▲	4 1026900	(000000–) Spring, Flat, Retainer, Screen	1
▲	5 09010	(000000–) Screw, Hex, M8 X 1.25 X 25, Ss	1
▲	6 222268	(000000–) Washer, Flat, 0.38b 1.25d .12, Neo	2
▲	7 01686	(000000–) Washer, Flat, 0.44b 1.00d .08, Ss	2
▲	8 08713	(000000–) Nut, Hex, Lock, M8 X 1.25, NI, Ss	1
▲	9 1024309	(000000–) Strainer Wldt, Trough, Debris 4.3w 15.L	1
▲	10 1026831	(000000–) Tube Wldt, Vacuum	1
▲	11 1019526	(000000–) Screw, Pan, M6 X 1.0 X 25, Ss	3
▲	12 08712	(000000–) Nut, Hex, Lock, M6 X 1.00, Ss, NI	3
▲	13 01684	(000000–) Washer, Flat, 0.25, Ss	3
▲	14 81582	(000000–) Wheel, 3.0d 0.87w 0.44b, Rbr, Pp Core	2
▲	15 393129	(000000–) Sleeve, P/M, 0.31B 0.44D 1.2L [430Ss]	2
▲	16 1017218	(000000–) Washer, Flat, 0.32b 1.00d .12, Ss	2
▲	17 39349	(000000–) Washer, Flat, 0.31, Sae	2
▲	18 397826	(000000–) Screw, Btn, M8 X 1.25 X 40, Ss	2
▲	19 1024450	(000000–) Tray, Debris, Trimmed	1
	20 11399	(000000–) Clamp, Hose, Wormdrive, 0.81–1.50d, .50w	3
	21 1040098	(000000–) Hose Assy, W/1cuff, 1.0d, 030l 1.25/	1
	22 1023063	(000000–) Coupling, Tube, Vacuum	1

Fig. 58 – Squeegee Linkage Group, Rear

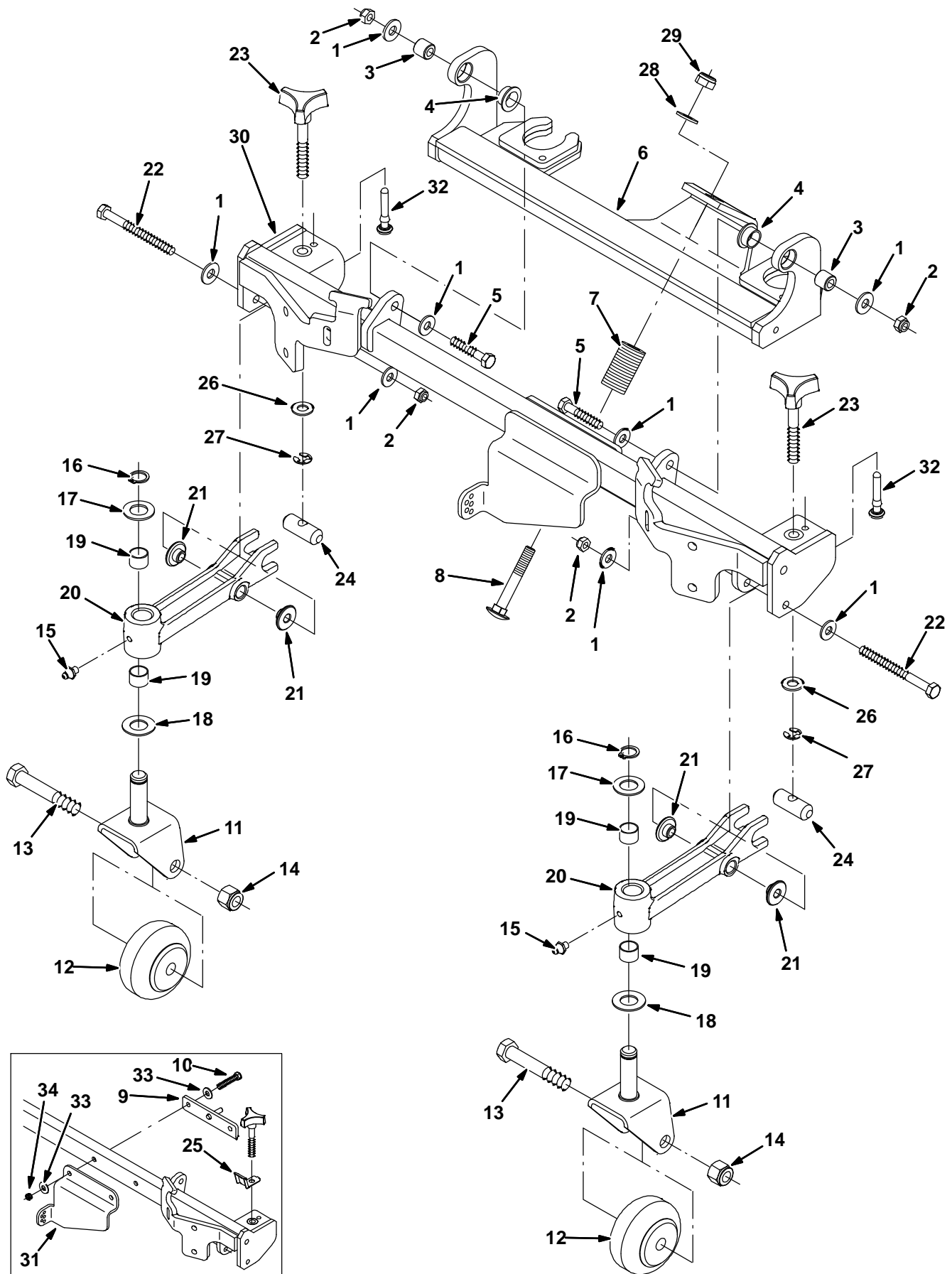


Fig. 58 – Squeegee Linkage Group, Rear

Ref.	Part No.	Serial Number	Description	Qty.
1	01685	(000000–)	Washer, Flat, 0.31, Ss	6
2	08713	(000000–)	Nut, Hex, Lock, M8 X 1.25, NI, Ss	4
3	80409	(000000–)	Sleeve, P/M, 0.34b 0.63d 0.6l, Bnz	2
4	25735	(000000–)	Bushing, Fling, 0.63b 0.75d 0.38l	2
5	222505	(000000–)	Screw, Hex, M8 X 1.25 X 45, Ss	2
6	1023476	(000000–)	Bracket Wldt, Mtg, Sqge	1
7	65180	(000000–)	Spring, Dsl, 1.00od 0.50id 1.7l	1
8	1025601	(000000–)	Bolt, Carriage, M10 X 1.5 X 70	1
9	1034147	(000000–001524)	Pin Wldt, Lift (Replaced By 9003478)	1
10	222505	(000000–001524)	Screw, Hex, M8 X 1.25 X 45, Ss	2
11	1021404	(000000–)	Bracket Wldt, Mtg, Caster	2
12	20833	(000000–)	Wheel, 3.0d 1.38w 0.50b	2
13	81952	(000000–)	Screw, Hex, .50–13 X 3.00, Ss18–8	2
14	02931	(000000–)	Nut, Hex, Lock, .50–13, NI, Ss	2
15	07259	(000000–)	Fitting, Grease, Str Pm04 .47l	2
16	33373	(000000–)	Ring, Retaining, Ext, 0.62d, Hd	2
17	63468	(000000–)	Washer, Flat, 0.69b 1.19d .06, Stl, Pl	2
18	64425	(000000–)	Washer, Thrust, 0.61b 1.25d .06, Fgl	2
19	07449	(000000–)	Bushing, Sleeve, 0.62b 0.72d 0.50l, Fgl	4
20	1025460	(000000–)	Caster, Pivot	2
21	80950	(000000–)	Bushing, Fling, 0.32b 0.50d 0.24l, Bnz	4
22	39281	(000000–)	Screw, Hex, M8 X 1.25 X 90, 8.8	2
23	1021546	(000000–)	Knob Assy, Star, 1.12d 3ear M10	2
24	1021497	(000000–)	Pin, 0.63d 01.8l, 1/M10h, 2cham	2
25	1022545	(000000–001508)	Spring, Keeper	2
26	32485	(000000–)	Washer, Flat, 0.38 Sae	2
27	24555	(000000–)	Ring, Retaining, Ext, 0.38d, [E–Ring]	2
28	32492	(000000–)	Washer, Flat, 0.38 Std	1
29	08714	(000000–)	Nut, Hex, Lock, M10 X 1.5, NI, Ss	1
30	1034282	(000000–)	Crossmember Wldt, Lift	1
31	1025178	(000000–001524)	Bracket, Lift, Sqge	1
32	1035727	(001509–)	Stop, Rotation	1
33	01685	(000000–001524)	Washer, Flat, 0.38b 0.88d .08, Ss	4
34	08713	(000000–001524)	Nut, Hex, Lock, M8 X 1.25, NI, Ss	2

Fig. 59 – Cylindrical Scrub Head Squeegee Group, Right Side

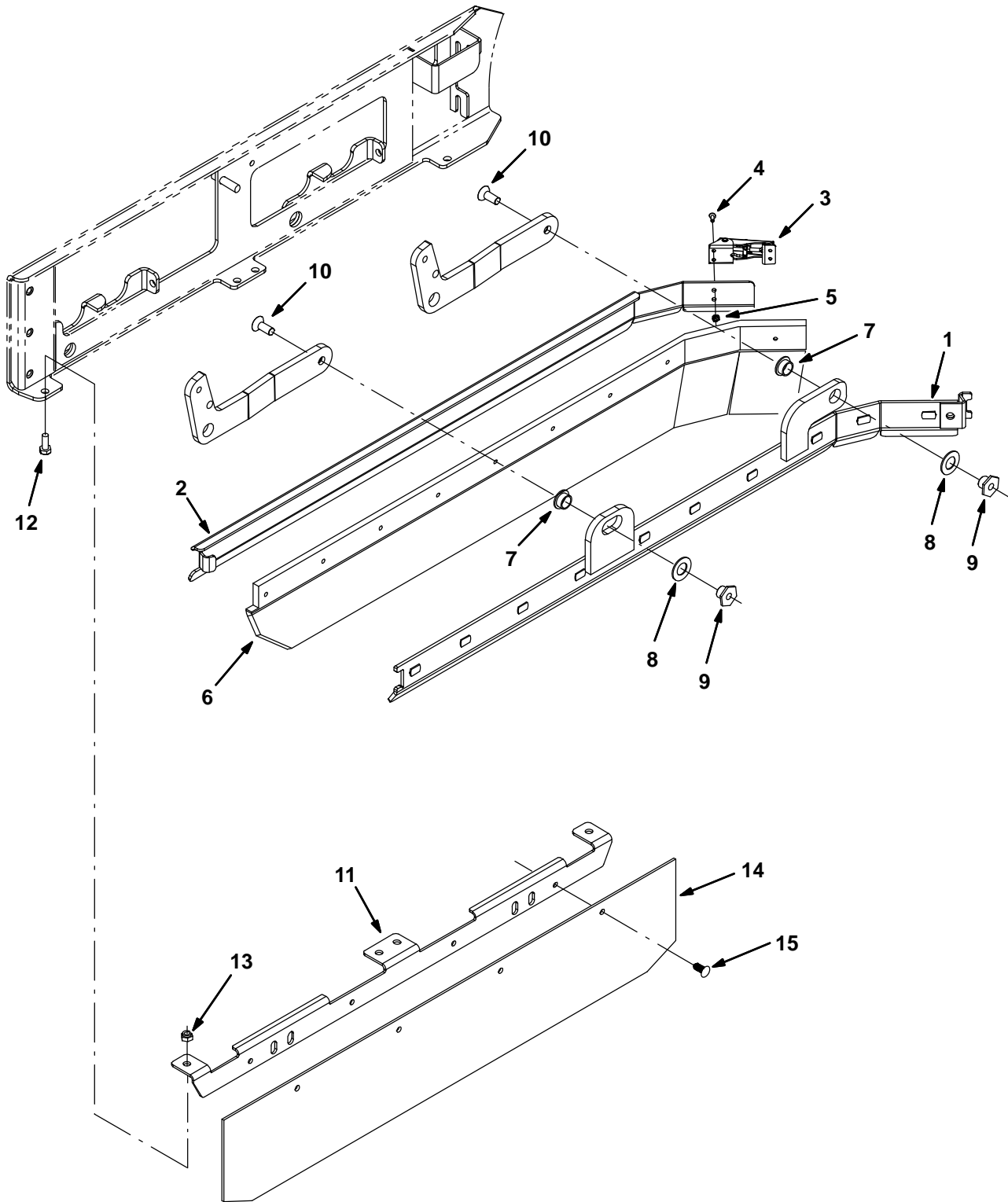


Fig. 59 – Cylindrical Scrub Head Squeegee Group, Right Side

Ref.	Part No.	Serial Number	Description	Qty.	
1	1029132	(000000–) Frame Wldt, Sqge, Rh	1	
2	1029128	(000000–) Retainer, Sqge, Side, Rh	1	
3	384418	(000000–) Latch, Door [Southco 91–562–07]	1	
4	49697	(000000–) Screw, Pan, M4 X 0.7 X 10, Ss	2	
5	33932	(000000–) Nut, Hex, Lock, M4 X 0.7, NI, Ss	2	
6	1031011	(000000–) Blade, Sqge, .38 3.55w 038.3l, Linatex	1	
6	1031823	(000000–) Blade, Sqge, .38 3.55w 038.3l, Ure (Option)	1	
7	25735	(000000–) Bushing, Flng, 0.63b 0.75d 0.38l	2	
8	64425	(000000–) Washer, Thrust, 0.61b 1.25d .06, Fgl	2	
9	1022846	(000000–) Nut, T, M10 X 1.50 X 15.8od X 13.0l	2	
10	09081	(000000–) Screw, Flt, M10 X 1.5 X 25, 10.9	2	
11	1025151	(000000–) Bracket, Mtg, Skirt, Door, Brush	1	
12	393135	(000000–) Screw, Btn, M8 X 1.25 X 20, Blk	4	
13	08713	(000000–) Nut, Hex, Lock, M8 X 1.25, NI, Ss	4	
▽	14	9003057	(000000–) Shield Kit, Side, Replmt [T20]	1
▲	15	21168	(000000–) Clip, .250h, Plstc [Pine–Tree]	4

Fig. 60 – Squeegee Lift Group, Right Side

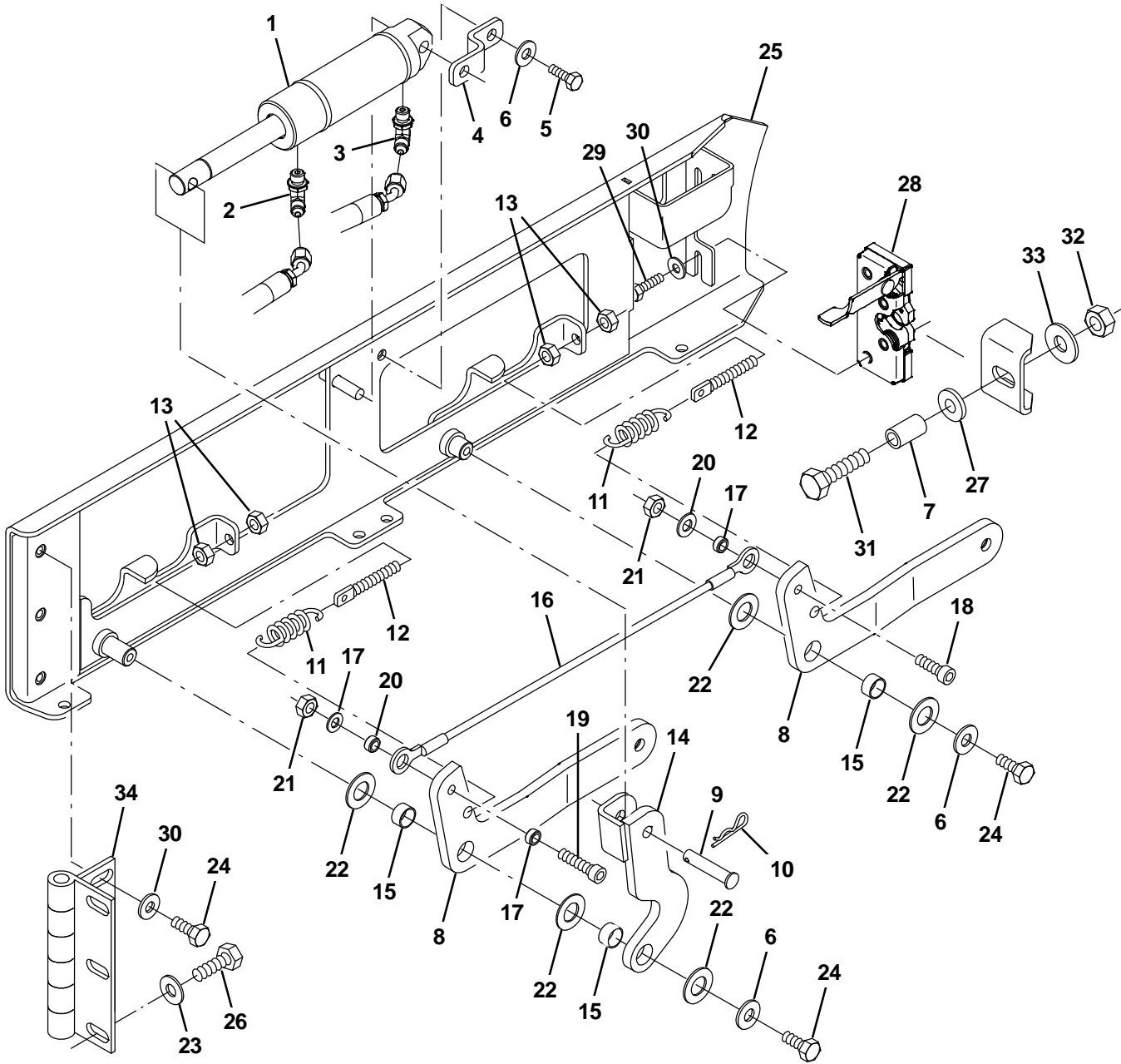


Fig. 60 – Squeegee Lift Group, Right Side

Ref.	Part No.	Serial Number	Description	Qty.
1	1038137	(000000–) Cylinder, Hyd, 1.5b 07.8l 02.80strk 2500	1
2	77097	(000000–) Fitting, Hyd, E90, Jm04/Om04	1
3	1028635	(000000–) Fitting, Hyd, Rst, Spcl	1
4	1022825	(000000–) Bracket, Mtg, Cyl	1
5	08716	(000000–) Screw, Hex, M6 X 1.00 X 20, Ss	1
6	01685	(000000–) Washer, Flat, 0.31, Ss	3
7	1039348	(000000–) Sleeve, 0.49b 0.68d 1.2l [304ss]	1
8	1020548	(000000–) Arm, Sqge, Side, Rh	2
9	17461	(000000–) Pin, Clevis, 0.37D X 1.75L	1
10	08182	(000000–) Pin, Cotter, .125 X 1.00	1
11	87816	(000000–) Spring, Extn, 0.75od X 0.09wir, 2.5l	2
12	386088	(000000–) Bolt, Eye, M08 X 1.25 X 070mm, 05.50 Eye	2
13	07786	(000000–) Nut, Hex, Std, M8 X 1.25, Ss	4
14	1023306	(000000–) Arm Wldt, Sqge, Lift, Rh	1
15	71607	(000000–) Bushing, Sleeve, 0.63b 0.72d 0.38l	3
16	81784	(000000–) Cable, Glv .13d 015.8l .50eye /.50eye	1
17	360801	(000000–) Sleeve, 0.31b 0.50d 0.3l, Ss	3
18	39308	(000000–) Screw, Soc, M8 X 1.25 X 25, 12.9	1
19	41445	(000000–) Screw, Soc, M8 X 1.25 X 35, 12.9	1
20	39349	(000000–) Washer, Flat, 0.31 Sae	2
21	08709	(000000–) Nut, Hex, Lock, M8 X 1.25, NI	2
22	64425	(000000–) Washer, Thrust, 0.61b 1.25d .06, Fgl	5
23	41187	(000000–) Washer, Flat, Belleville, .38	3
24	09740	(000000–) Screw, Hex, M8 X 1.25 X 20, Ss	5
25	1019031	(000000–) Door Wldt, Brush, Rh	1
26	09028	(000000–) Screw, Hex, M10 X 1.5 X 25, Ss	3
27	36328	(000000–) Washer, Flat, Belleville, .50	1
28	59194	(000000–) Latch, Hook	1
29	09007	(000000–) Screw, Hex, M6 X 1.0 X 25, Ss	2
30	41185	(000000–) Washer, Flat, Belleville, .25	5
31	379870	(000000–) Screw, Hex, M12 X 1.75 X 55, Ss	1
32	07788	(000000–) Nut, Hex, Std, M12 X 1.75, Ss	1
33	41619	(000000–) Washer, Flat, 0.56b 1.38d .11, Ss	1
34	1024576	(000000–) Hinge, .50pin .19 4.0w 06.0l 3/0.44sl	1

Fig. 61 – Cylindrical Scrub Head Squeegee Group, Left Side

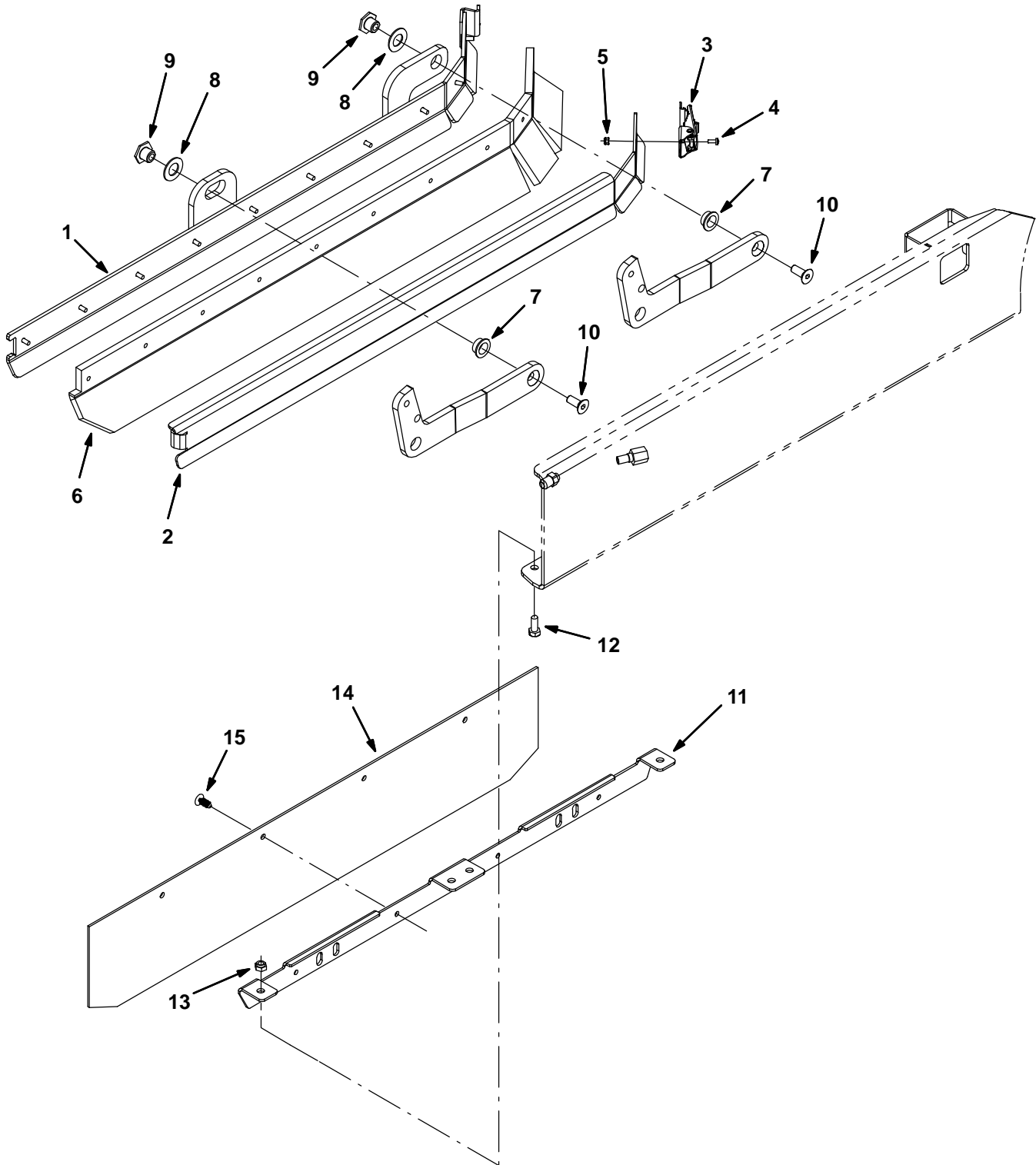


Fig. 61 – Cylindrical Scrub Head Squeegee Group, Left Side

Ref.	Part No.	Serial Number	Description	Qty.	
1	1028972	(000000–) Frame Wldt, Sqge, Lh	1	
2	1028979	(000000–) Retainer, Sqge, Side, Lh	1	
3	384418	(000000–) Latch, Door [Southco 91–562–07]	1	
4	49697	(000000–) Screw, Pan, M4 X 0.7 X 10, Ss	2	
5	33932	(000000–) Nut, Hex, Lock, M4 X 0.7, NI, Ss	2	
6	1031011	(000000–) Blade, Sqge, 37.08l Linatex	1	
6	1031823	(000000–) Blade, Sqge, .38 3.55w 038.3l, Ure (Option)	1	
7	25735	(000000–) Bushing, Flng, 0.63b 0.75d 0.38l	2	
8	64425	(000000–) Washer, Thrust, 0.61b 1.25d .06, Fgl	2	
9	1022846	(000000–) Nut, T, M10 X 1.50 X 15.8od X 13.0l	1	
10	09081	(000000–) Screw, Flt, M10 X 1.5 X 25, 10.9	2	
11	1025151	(000000–) Bracket, Mtg, Skirt, Door, Brush	1	
12	393135	(000000–) Screw, Btn, M8 X 1.25 X 20, Blk	4	
13	08713	(000000–) Nut, Hex, Lock, M8 X 1.25, NI, Ss	4	
▽	14	9003057	(000000–) Shield Kit, Side, Replmt [T20]	1
▲	15	21168	(000000–) Clip, .250h, Plstc [Pine–Tree]	4

Fig. 62 – Squeegee Lift Group, Left Side

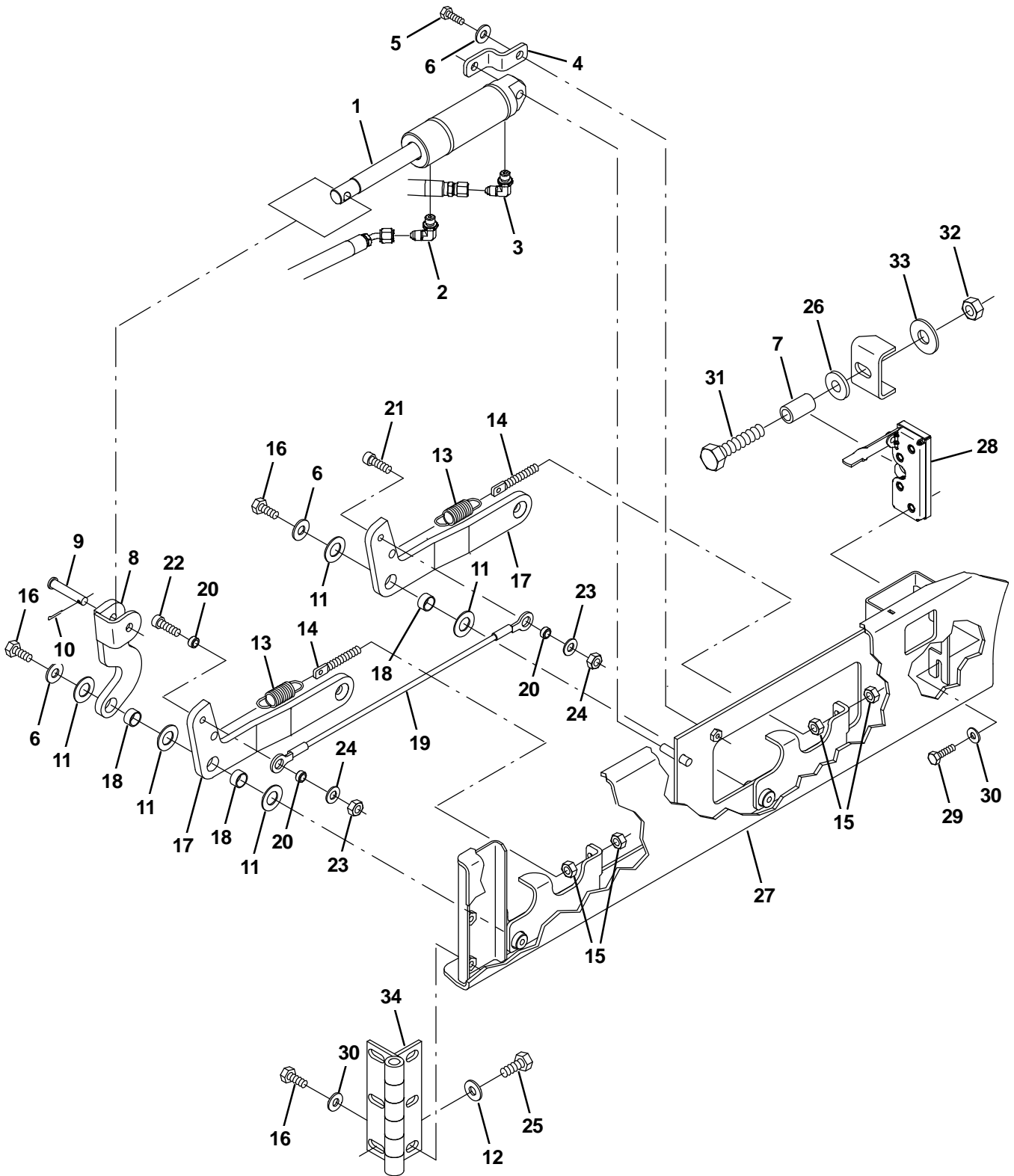


Fig. 62 – Squeegee Lift Group, Left Side

Ref.	Part No.	Serial Number	Description	Qty.
1	1038137	(000000–) Cylinder, Hyd, 1.5b 07.8l 02.80strk 2500	1
2	77097	(000000–) Fitting, Hyd, E90, Jm04/Om04	1
3	1028635	(000000–) Fitting, Hyd, Rst, Spcl	1
4	1022825	(000000–) Bracket, Mtg, Cyl	1
5	08716	(000000–) Screw, Hex, M6 X 1.00 X 20, Ss	1
6	01685	(000000–) Washer, Flat, 0.31, Ss	3
7	1039348	(000000–) Sleeve, 0.49b 0.68d 1.2l [304ss]	1
8	1022978	(000000–) Arm Wldt, Lift, Sqge, Lh	1
9	17461	(000000–) Pin, Clevis, 0.37D X 1.75L	1
10	08182	(000000–) Pin, Cotter, .125 X 1.00	1
11	64425	(000000–) Washer, Thrust, 0.61b 1.25d .06, Fgl	5
12	41187	(000000–) Washer, Flat, Belleville, .38	3
13	87816	(000000–) Spring, Extn, 0.75od X 0.09wir, 2.5l	2
14	386088	(000000–) Bolt, Eye, M08 X 1.25 X 070mm, 05.50 Eye	2
15	07786	(000000–) Nut, Hex, Std, M8 X 1.25, Ss	4
16	09740	(000000–) Screw, Hex, M8 X 1.25 X 20, Ss	5
17	1023307	(000000–) Arm, Sqge, Side, Lh	2
18	71607	(000000–) Bushing, Sleeve, 0.63b 0.72d 0.38l	3
19	81784	(000000–) Cable, Glv .13d 015.8l .50eye /.50eye	1
20	360801	(000000–) Sleeve, 0.31b 0.50d 0.3l, Ss	3
21	39308	(000000–) Screw, Soc, M8 X 1.25 X 25, 12.9	1
22	41445	(000000–) Screw, Soc, M8 X 1.25 X 35, 12.9	1
23	39349	(000000–) Washer, Flat, 0.31 Sae	2
24	08709	(000000–) Nut, Hex, Lock, M8 X 1.25, NI	2
25	09028	(000000–) Screw, Hex, M10 X 1.5 X 25, Ss	3
26	36328	(000000–) Washer, Flat, Belleville, .50	1
27	1023314	(000000–) Door Wldt, Brush, Lh	1
28	59195	(000000–) Latch, Hook	1
29	09007	(000000–) Screw, Hex, M6 X 1.0 X 25, Ss	2
30	41185	(000000–) Washer, Flat, Belleville, .25	5
31	379870	(000000–) Screw, Hex, M12 X 1.75 X 55, Ss	1
32	07788	(000000–) Nut, Hex, Std, M12 X 1.75, Ss	1
33	41619	(000000–) Washer, Flat, 0.56b 1.38d .11, Ss	1
34	1024576	(000000–) Hinge, .50pin .19 4.0w 06.0l 3/0.44sl	1

Fig. 63 – Solution Tank Group

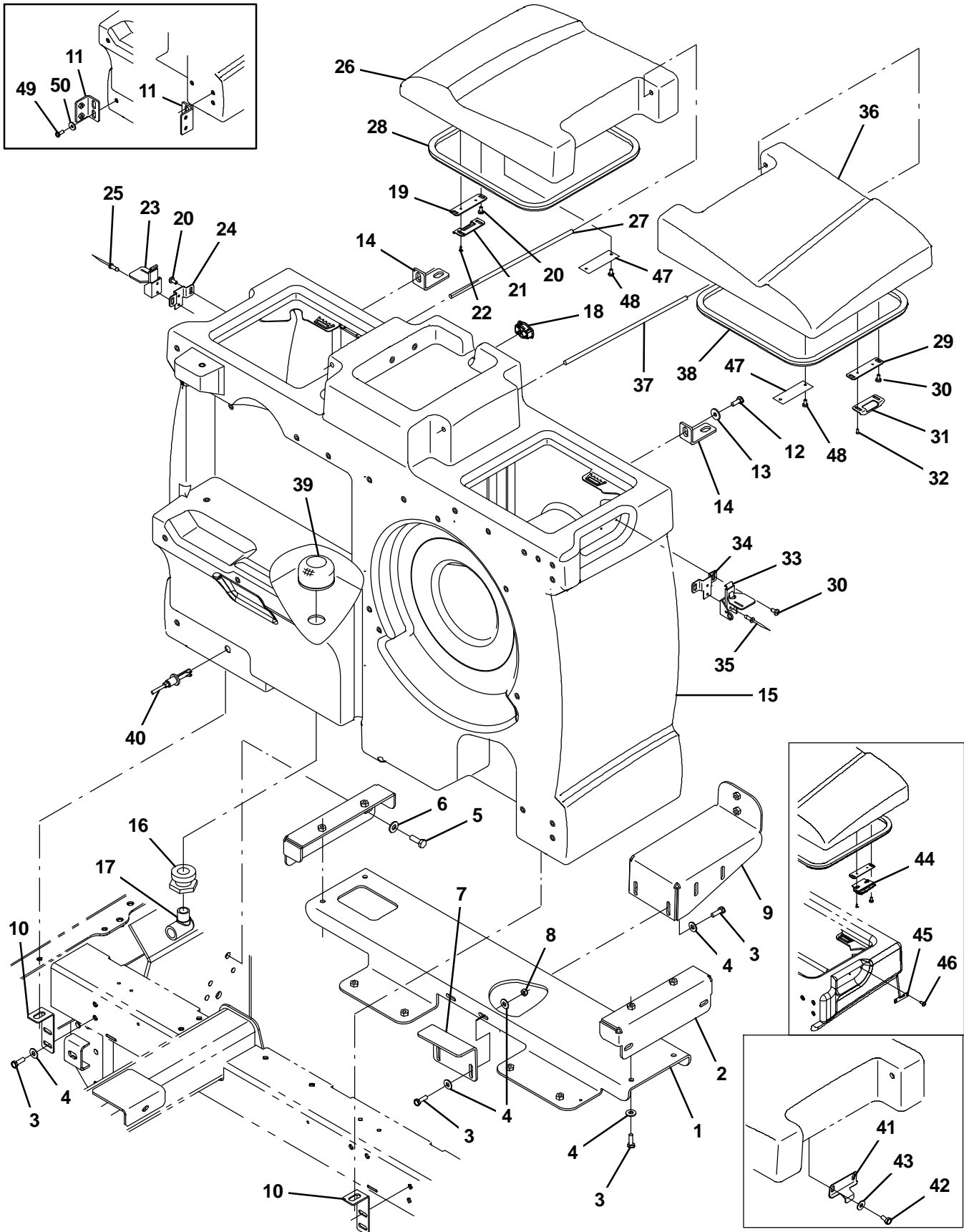


Fig. 63 – Solution Tank Group

Ref.	Part No.	Serial Number	Description	Qty.
1	1023497	(000000–)	Channel, Sppt, Tank	1
2	1023493	(000000–)	Bracket, Mtg, Tank	2
3	09010	(000000–)	Screw, Hex, M8 X 1.25 X 25, Ss	12
4	32491	(000000–)	Washer, Flat, 0.31, Std	14
5	12317	(000000–)	Screw, Hex, M10 X 1.5 X 30, Ss	4
6	32492	(000000–)	Washer, Flat, 0.38, Std	4
7	1023508	(000000–)	Bracket, Mtg, Tank	1
8	08713	(000000–)	Nut, Hex, Lock, M8 X 1.25, NI, Ss	2
9	1023510	(000000–)	Bracket, Mtg, Tank	1
10	1024131	(000000–)	Angle, Mtg, Stl, .12 4.2 2.0 01.4l	2
11	1024175	(000000–001004)	Angle, Mtg, Stl, .18 2.2 1.9 03.0l	2
12	09740	(000000–)	Screw, Hex, M8 X 1.25 X 20, Ss	2
13	1017218	(000000–)	Washer, Flat, 0.32b 1.00d .12, Ss	2
14	1024217	(000000–)	Angle, Mtg, Stl, .19 3.1 1.8 01.4l	2
15	9004118	(000000–001683)	Tank Kit, Soltn, W/ Bracket, Replmt	1
15	1027426	(001684–)	Tank, Soltn, W/ Label	1
15	9002670	(001684–)	Tank, Soltn, W/ Es [T20]	1
16	377349	(000000–)	Fitting, Plstc, Pf12/Pf12, Bh	1
17	69785	(000000–)	Fitting, Plstc, E90, Pf12/Pm12	1
18	390994	(000000–)	Plug, Hole, Soltn Tank, Blk Pyu	1
▽	9003069	(000000–)	Cover Kit, Soltn Tank, Rh [M20 & T20]	1
▲▽	9005165	(000000–)	Latch Kit, Cover, Soltn, Replmt[M20/T20]	1
▲▲	19 1039757	(001688–)	Plate, Mtg, Latch	1
▲▲	20 382320	(000000–)	Screw, Pan, Phl, 12–16 X 0.50, F/ Plstc	4
▲▲	21 1048474	(001928–)	Catch, Latch, Tank Cover	1
▲▲	22 222267	(001928–)	Screw, Pan, Phl, 06–20 X 0.50, Fmg/Ab	2
▲▲	23 367949	(001928–)	Latch	1
▲▲	24 1048512	(001928–)	Bracket, Mtg, Latch, Tank Cover	1
▲▲	25 08875	(001928–)	Rivet, Blind, .125d X 0.54 X .25d, Alm	2
▲	26 1022176	(000000–)	Cover, Tank, Soltn, Rh, Trimmed	1
▲	27 1047098	(000000–)	Bar, Rnd, Plstc, 0.31d 12.5l	1
▲	28 1038805	(000000–)	Seal, Bulb, Str, .50Hi .50W 047.2L, Adh	1
▽	9003071	(000000–)	Cover Kit, Tank, Soltn, Rh, Replmt, Ce (Japan and CE Only)	1
▲▽	9005165	(000000–)	Latch Kit, Cover, Soltn, Replmt[M20/T20]	1
▲▲	19 1039757	(001688–)	Plate, Mtg, Latch	1
▲▲	20 382320	(000000–)	Screw, Pan, Phl, 12–16 X 0.50, F/ Plstc	4
▲▲	21 1048474	(001928–)	Catch, Latch, Tank Cover	1
▲▲	22 222267	(001928–)	Screw, Pan, Phl, 06–20 X 0.50, Fmg/Ab	2
▲▲	23 367949	(001928–)	Latch	1
▲▲	24 1048512	(001928–)	Bracket, Mtg, Latch, Tank Cover	1
▲▲	25 08875	(001928–)	Rivet, Blind, .125d X 0.54 X .25d, Alm	2
▲	26 1031233	(000000–)	Cover, Tank, Soltn, Rh, Trimmed (Japan and CE Only)	1
▲	27 1047098	(000000–)	Bar, Rnd, Plstc, 0.31d 12.5l	1
▲	28 1038805	(000000–)	Seal, Bulb, Str, .50Hi .50W 047.2L, Adh	1

(CONTINUED)

STANDARD PARTS

Fig. 63 – Solution Tank Group

Ref.	Part No.	Serial Number	Description	Qty.
▽	9003068	(000000–) Cover Kit, Tank, Soltn, Lh, Replmt	1
▲▽	9005165	(000000–) Latch Kit, Cover, Soltn, Replmt[M20/T20]	1
▲▲	29 1039757	(001688–) Plate, Mtg, Latch	1
▲▲	30 382320	(000000–) Screw, Pan, Phl, 12–16 X 0.50, F/ Plstc	4
▲▲	31 1048474	(001928–) Catch, Latch, Tank Cover	1
▲▲	32 222267	(001928–) Screw, Pan, Phl, 06–20 X 0.50, Fmg/Ab	2
▲▲	33 367949	(001928–) Latch	1
▲▲	34 1048512	(001928–) Bracket, Mtg, Latch, Tank Cover	1
▲▲	35 08875	(001928–) Rivet, Blind, .125d X 0.54 X .25d, Alm	2
▲	36 1022182	(000000–) Cover, Tank, Soltn, Lh, Trimmed	1
▲	37 1047098	(000000–) Bar, Rnd, Plstc, 0.31d 12.5l	1
▲	38 1038805	(000000–) Seal, Bulb, Str, .50Hi .50W 047.2L, Adh	1
▽	39 9003070	(000000–) Cover Kit, Tank, Soltn, Lh, Replmt, Ce (Japan and CE Only)	1
▲▽	9005165	(000000–) Latch Kit, Cover, Soltn, Replmt[M20/T20]	1
▲▲	29 1039757	(001688–) Plate, Mtg, Latch	1
▲▲	30 382320	(000000–) Screw, Pan, Phl, 12–16 X 0.50, F/ Plstc	4
▲▲	31 1048474	(001928–) Catch, Latch, Tank Cover	1
▲▲	32 222267	(001928–) Screw, Pan, Phl, 06–20 X 0.50, Fmg/Ab	2
▲▲	33 367949	(001928–) Latch	1
▲▲	34 1048512	(001928–) Bracket, Mtg, Latch, Tank Cover	1
▲▲	35 08875	(001928–) Rivet, Blind, .125d X 0.54 X .25d, Alm	2
▲	36 1031235	(000000–) Cover, Tank, Soltn, Rh, Trimmed (Japan and CE Only)	1
▲	37 1047098	(000000–) Bar, Rnd, Plstc, 0.31d 12.5l	1
▲	38 1038805	(000000–) Seal, Bulb, Str, .50Hi .50W 047.2L, Adh	1
	39 1027290	(000000–) Filter, Soltn, 20mesh, Pm12 3.1d 02.6l	1
	40 385685	(000000–) Sensor, Level, Liq, 14vdc 01a .62–11	1
	41 1020428	(000000–001687)	Bracket, Latch, Cover	2
	42 09744	(000000–001687)	Screw, Hex, M6 X 1.00 X 12, Ss	4
	43 01684	(000000–001687)	Washer, Flat, 0.27b 0.69d .05, Ss	4
	44 1030617	(001688–001927)	Latch, Cover	2
	45 1029748	(001688–001927)	Bracket, Keeper, Latch	2
	46 382320	(001688–001927)	Screw, Pan, Phl, 12–16 X 0.50, F/ Plstc	4
	47 1017101	(000000–) Plate, Label, Soltn Tank (ec–H20 only)	2
	48 360973	(000000–) Screw, Pan, 12–16 X 0.50, F/ Plstc (ec–H20 only)	4
	49 09740	(000000–001004)	Screw, Hex, M8 X 1.25 X 20, Ss	2
	50 1017218	(000000–001004)	Washer, Flat, 0.32b 1.00d .12, Ss	2

Fig. 64 – Solution Tank Drain Group

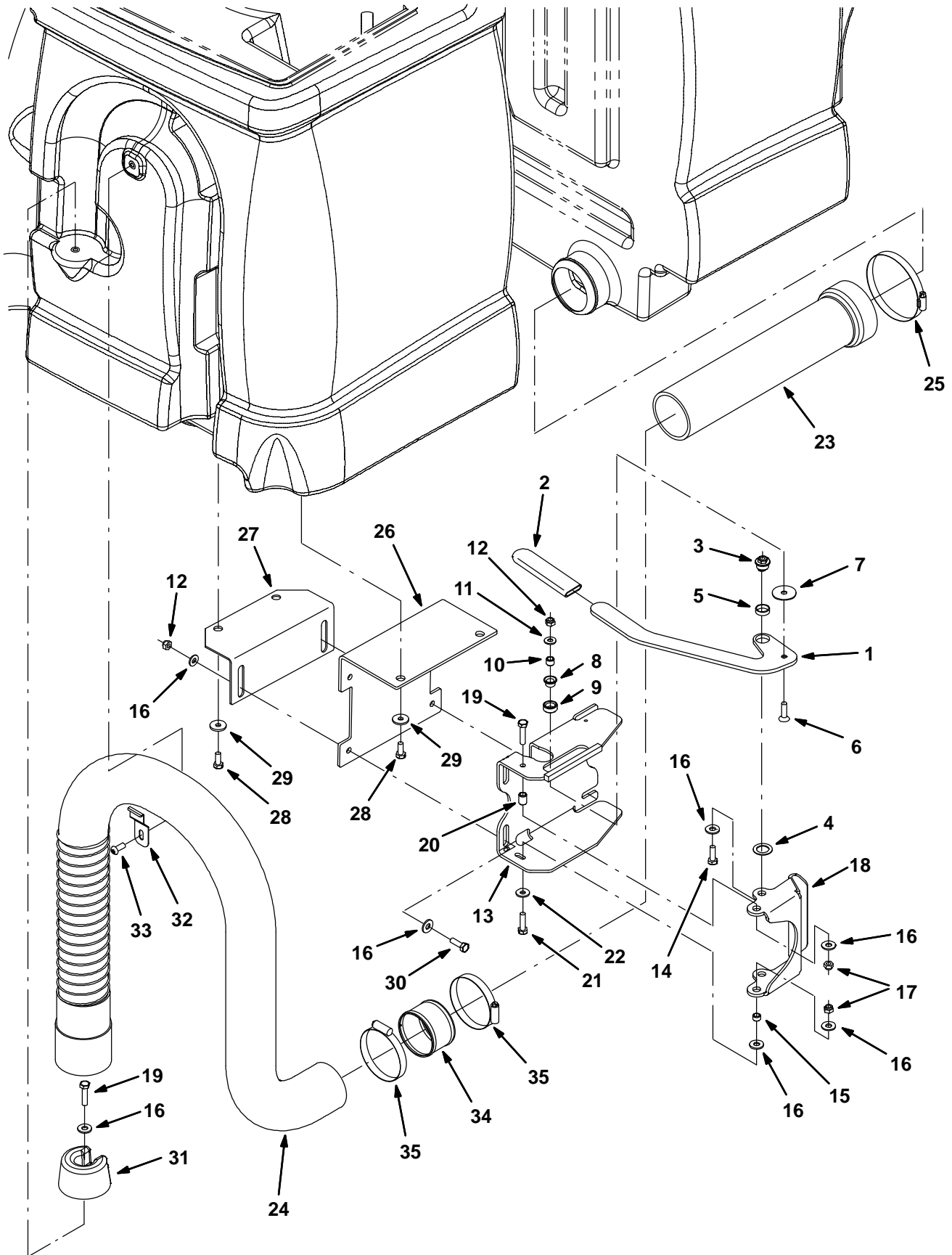


Fig. 64 – Solution Tank Drain Group

Ref.	Part No.	Serial Number	Description	Qty.
1	1025092	(000000–)	Handle, Valve, Pinch, Rh	1
2	1023502	(000000–)	Grip, Handle	1
3	1024599	(000000–)	Bushing, Eccentric, Adj	1
4	1026051	(000000–)	Washer, Flat, 0.79b 1.18d .06, Nyl	1
5	74090	(000000–)	Bushing, Sleeve, 0.75b 0.88d 0.25l	1
6	79506	(000000–)	Screw, Flt, M8 X 1.25 X 30, Ss	1
7	1028701	(000000–)	Washer, Thrust, 0.34b 1.50d .06	1
8	15648	(000000–)	Bushing, Flng, 0.50b 0.59d 0.38l	1
9	1028691	(000000–)	Roller, Brg	1
10	1028690	(000000–)	Tube, 0.50d 0.32b 00.4l, Ss	1
11	39349	(000000–)	Washer, Flat, 0.31, Sae	1
12	08713	(000000–)	Nut, Hex, Lock, M8 X 1.25, NI, Ss	9
13	1042003	(000000–)	Mount Wldt, Valve, Pinch, Rh	1
14	39277	(000000–)	Screw, Hex, M8 X 1.25 X 25, 8.8	1
15	222516	(000000–)	Sleeve, P/M, 0.31b 0.50d 0.3l [430ss]	1
16	32491	(000000–)	Washer, Flat, 0.31, Std	10
17	08713	(000000–)	Nut, Hex, Lock, M8 X 1.25, NI, Ss	3
18	1024535	(000000–)	Arm, Pinch	1
19	06955	(000000–)	Screw, Hex, M8 X 1.25 X 35, 8.8	2
20	80395	(000000–)	Sleeve, P/M, 0.31b 0.50d 0.7l [430ss]	1
21	76570	(000000–)	Screw, Hex, M8 X 1.25 X 30, 8.8	1
22	41186	(000000–)	Washer, Flat, Belleville, .31	1
23	9003793	(000000–)	Tube Kit, Tank, Soltn, Replmt	1
24	1019424	(000000–)	Hose, Drain, 3.00id X 48.0l	1
25	23498	(000000–)	Clamp, Hose, Wormdrive, 3.56–4.50d, .50w	1
26	1025449	(000000–)	Angle, Mtg, Valve	2
27	1025452	(000000–)	Angle, Mtg, Stl, .12 3.7 3.4 09.1l	2
28	09740	(000000–)	Screw, Hex, M8 X 1.25 X 20, Ss	4
29	1017218	(000000–)	Washer, Flat, 0.32b 1.00d .12, Ss	4
30	09010	(000000–)	Screw, Hex, M8 X 1.25 X 25, Ss	4
31	1022137	(000000–)	Plug, Hose, Pyu	1
32	1025480	(000000–)	Bracket, Retaining, Hose	1
33	393135	(000000–)	Screw, Btn, M8 X 1.25 X 20, Blk	1
34	1020744	(000000–)	Tube, Rnd, 3.00d 2.90b 02.0l, Ss	1
35	43555	(000000–)	Clamp, Hose, Wormdrive, 2.50–3.50d, .50w	2

Fig. 65 – Solution Control Group, Cylindrical Scrub Head

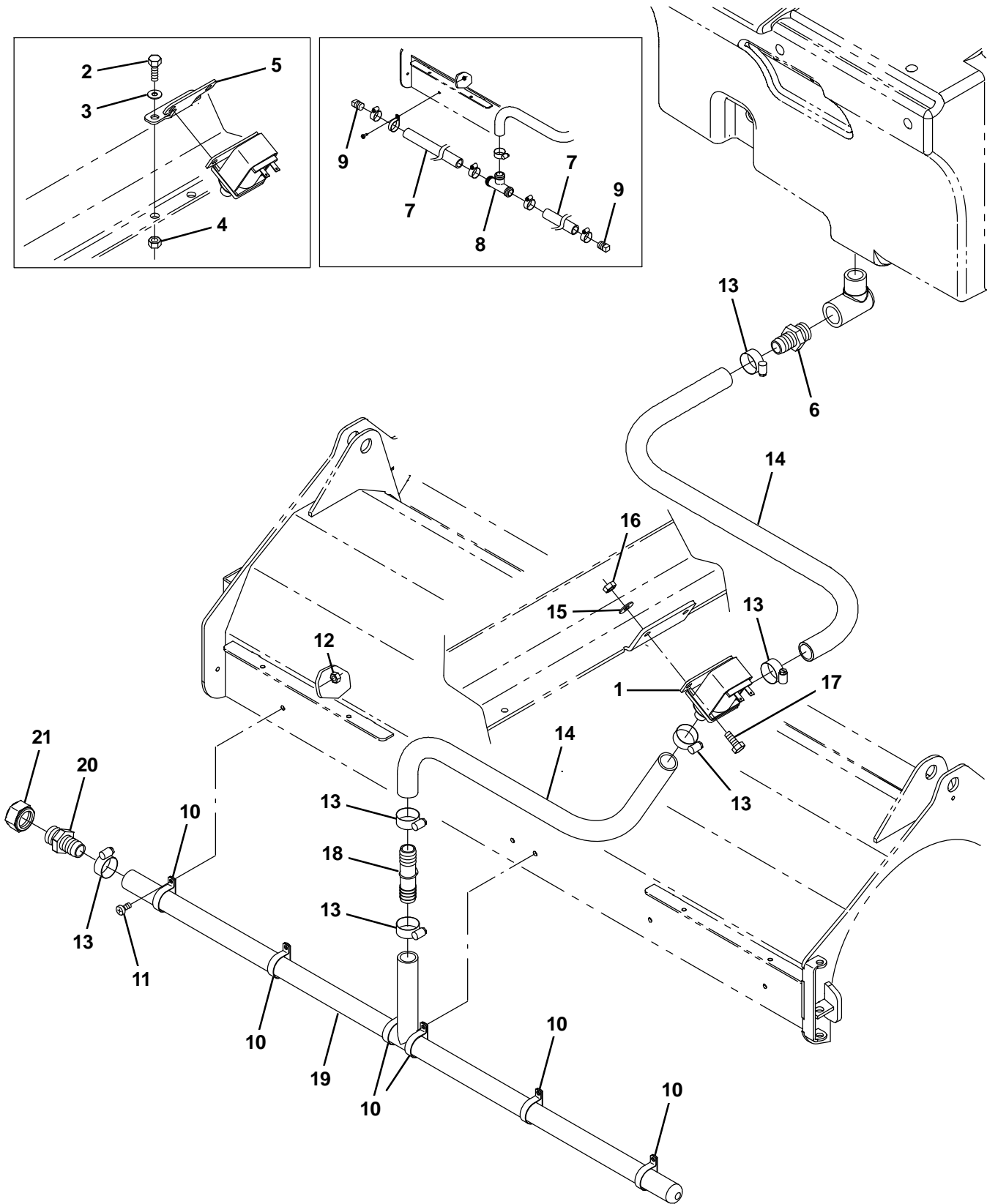


Fig. 65 – Solution Control Group, Cylindrical Scrub Head

Ref.	Part No.	Serial Number	Description	Qty.
1	1067700	(000000–)	Valve Assy, Water, Solenoid , 12vdc	1
2	08716	(000000–001602)	Screw, Hex, M6 X 1.0 X 20, Ss	2
3	01684	(000000–001602)	Washer, Flat, 0.25, Ss	2
4	08712	(000000–001602)	Nut, Hex, Lock, M6 X 1.0, Ss, NI	2
5	1028074	(000000–001602)	Bracket, Mtg, Valve	1
6	79273–2	(000000–)	Fitting, Plstc, Str, Bm12/Pm12	1
7	1029185	(000000–001581)	Tube, Distribution, Water	2
8	41315	(000000–001581)	Fitting, Plstc, Tee, Bm12/Bm12/Bm12	1
9	17521	(000000–001581)	Fitting, Pipe, Plug, Pm08, Sq Head	2
10	50544	(000000–)	Clamp, Cable, Ss, 1.12d X 0.38w, 1h	6
11	09200	(000000–)	Screw, Pan, M5 X 0.8 X 12, Ss	6
12	09739	(000000–)	Nut, Hex, Lock, M5 X 0.8, NI, Ss	6
13	63810	(000000–)	Clamp, Hose, Wormdrive, 0.56–1.06d, .56w	8
14	1015045	(000000–)	Hose, Afmkt, Pvc, Brd 0.75id 08ft	1
15	01684	(000000–)	Washer, Flat, 0.25, Ss	2
16	08712	(000000–)	Nut, Hex, Lock, M6 X 1.0, Ss, NI	2
17	08716	(000000–)	Screw, Hex, M6 X 1.0 X 20, Ss	2
18	1038074	(001582–)	Fitting, Plstc, Str, Bm12/Bm12	1
19	1036997	(001582–)	Manifold, Bar, Spray, 37.5inch	1
20	79273–2	(001582–)	Fitting, Plstc, Str, Bm12/Pm12	1
21	1039064	(001582–)	Fitting, Plstc, Cap, Pf12 Hex	1

Fig. 66 – Solution Control Group, Disk Scrub Head

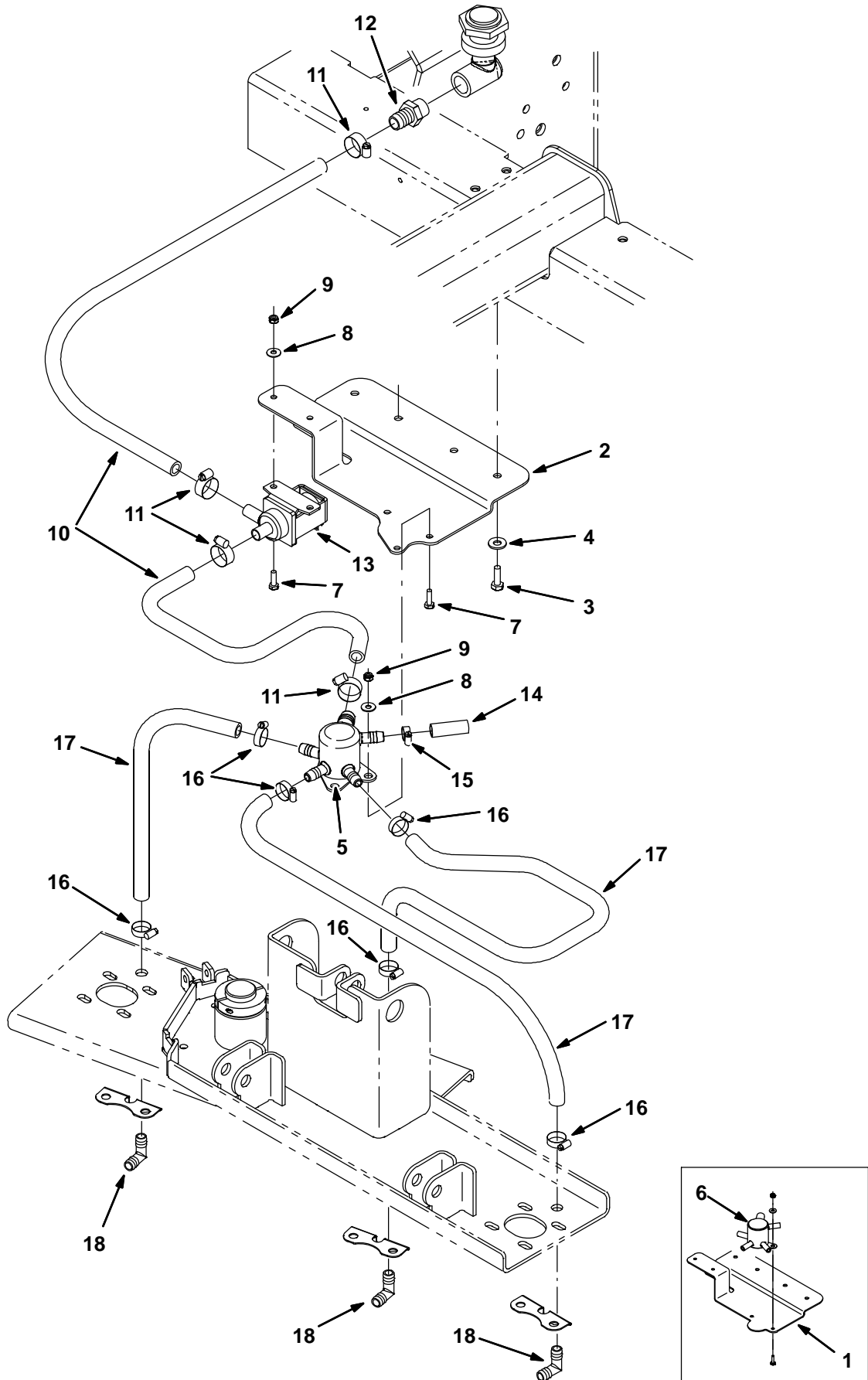


Fig. 66 – Solution Control Group, Disk Scrub Head

Ref.	Part No.	Serial Number	Description	Qty.
1	1028205	(000000–001762)	Bracket, Valve, Water	1
2	1042046	(001763–)	Bracket, Valve, Water	1
3	09010	(000000–)	Screw, Hex, M8 X 1.25 X 25, Ss	2
4	32491	(000000–)	Washer, Flat, 0.31, Std	2
5	1032701	(001763–)	Manifold Assy, Cntrl, Soltn	1
6	1023491	(000000–001762)	Manifold Wldt, Cntrl, Soltn	1
7	08716	(000000–)	Screw, Hex, M6 X 1.0 X 20, Ss	5
8	01684	(000000–)	Washer, Flat, 0.25, Ss	5
9	08712	(000000–)	Nut, Hex, Lock, M6 X 1.00, Ss, NI	5
10	1015045	(000000–)	Hose, Afmkt, Pvc, Brd 0.75id 08ft	1
11	63810	(000000–)	Clamp, Hose, Wormdrive, 0.56–1.06d, .56w	4
12	79273–2	(000000–)	Fitting, Plstc, Str, Bm12/Pm12	1
13	1067700	(000000–)	Valve Assy, Water, Solenoid , 12vdc	1
14	20807	(000000–)	Cap, Rbr, 0.50id 1.18l Blk	1
15	43844	(000000–)	Clamp, Hose, Wormdrive, 0.25–0.62d, .31w	1
16	54333	(000000–)	Clamp, Hose, Wormdrive, 0.31–0.88d, .31w	6
17	1006410	(000000–)	Hose, Afmkt, Pvc, Brd 0.75id 03ft	3
18	63987–1	(000000–)	Fitting, Plstc, E90, Bm08/Bm08	3

Fig. 67 – Recovery Tank Group

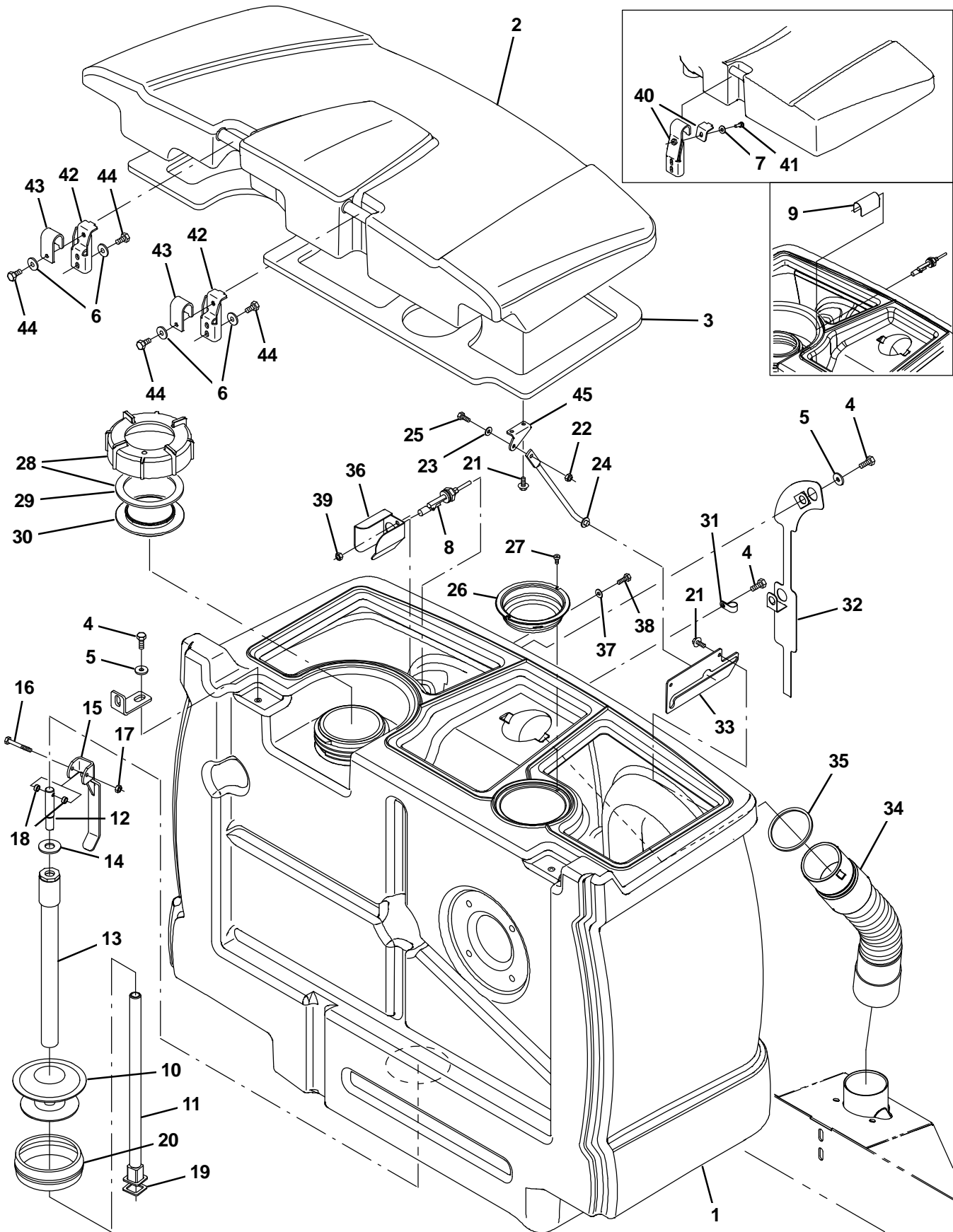


Fig. 67 – Recovery Tank Group

Ref.	Part No.	Serial Number	Description	Qty.
	1	1026316	(000000–) Tank, Recvy, Trimmed	1
▽	2	9003072	(000000–) Cover Kit, Tank, Recvy, Replmt [T20]	1
▲	3	1025562	(000000–) Gasket, Tank, Recvy	1
	4	09740	(000000–) Screw, Hex, M8 X 1.25 X 20, Ss	5
	5	1017218	(000000–) Washer, Flat, 0.32b 1.00d .12, Ss	4
	6	32491	(001685–) Washer, Flat, 0.31, Std	6
	7	32491	(000000–001684) Washer, Flat, 0.31, Std	2
	8	385685	(000000–) Sensor, Level, Liq, 14vdc 01a .62–11	1
	9	9003797	(000000–001608) Guard Kit, Switch, Float, Replmt [T20]	1
▽		9003313	(000000–) Plug Kit, Drain, Recvy, Ci [M20 & T20]	1
▲	10	1022370	(000000–) Plug, Drain, Expandable, 4.75–6.00	1
▲	11	1028328	(000000–) Tube Wldt, Plug, Drain	1
▲	12	1028173	(000000–) Pin, Lift, Drain	1
▲	13	1028570	(000000–) Tube Assy, Plug, Drain	1
▲	14	1028522	(000000–) Washer, Flat, .78b 1.75d .18, Ss	1
▲	15	1028211	(000000–) Handle Wldt, Drain	1
▲	16	58979	(000000–) Screw, Hex, M6 X 1.0 X 55, Ss	1
▲	17	08712	(000000–) Nut, Hex, Lock, M6 X 1.00, Ss, NI	1
▲	18	360801	(000000–) Sleeve, 0.31b 0.50d 0.3l, Ss	1
▲	19	1035044	(000000–) Seal, Shaft, Drain Plug	1
▲	20	1039652	(000000–) Seal, Plug, Drain [Nitrile]	1
	21	1046798	(000000–) Screw, Hex, .25–10 X 0.75, Fmg/a, Ss	4
	22	08712	(000000–) Nut, Hex, Lock, M6 X 1.00, Ss, NI	1
	23	01684	(000000–) Washer, Flat, 0.25, Ss	1
	24	54615	(000000–) Arm Wldt, Safety, Sppt, Seat, .38d 10.1l	1
	25	08716	(000000–) Screw, Hex, M6 X 1.0 X 20, Ss	1
	26	1026014	(000000–) Screen, Vacuum	1
	27	382320	(000000–) Screw, Pan, #12–16 X 0.50, F/ Plstc	2
▽	28	24358	(000000–) Cap Assy, Tank, Drain	1
▲	29	1031699	(000000–) Gasket, Lid	1
	30	86636	(000000–) Cover, Tank	1
	31	67767	(000000–) Clamp, Cable, Stl, 0.69d X 0.62w, 1h	1
	32	1030280	(000000–) Shield Wldt, Switch, Float	1
	33	1025620	(000000–) Plate, Mtg, Prop Rod	1
	34	1031610	(000000–) Hose Assy, Sqg	1
	35	1021920	(000000–) Gasket, 3.23ld 3.63Od .16Th, Ure	1
	36	1039697	(001609–) Guard Wldt, Switch, Float	1
	37	76426	(001609–) Washer, Sealing, 0.28b 0.75d Ss, Neo	2
	38	09007	(001609–) Screw, Hex, M6 X 1.00 X 25, Ss	2
	39	08712	(001609–) Nut, Hex, Lock, M6 X 1.00, Ss, NI	2
	40	9003893	(000000–001684) Hinge Kit, Cover, Tank, Recvy, Replmt	2
	41	09740	(000000–001684) Screw, Hex, M8 X 1.25 X 20, Ss	2
	42	1039072	(001685–) Bracket, Sppt, Cover, Tank, Recvy	1
	43	1039049	(001685–) Bracket, Mtg, Cover, Recvy Tank	1
	44	16735	(001685–) Screw, Hex, M8 X 1.25 X 16, 8.8	6
	45	1025619	(000000–) Bracket, Mtg, Prop Rod	1

Fig. 68 – Recovery Tank Drain Group

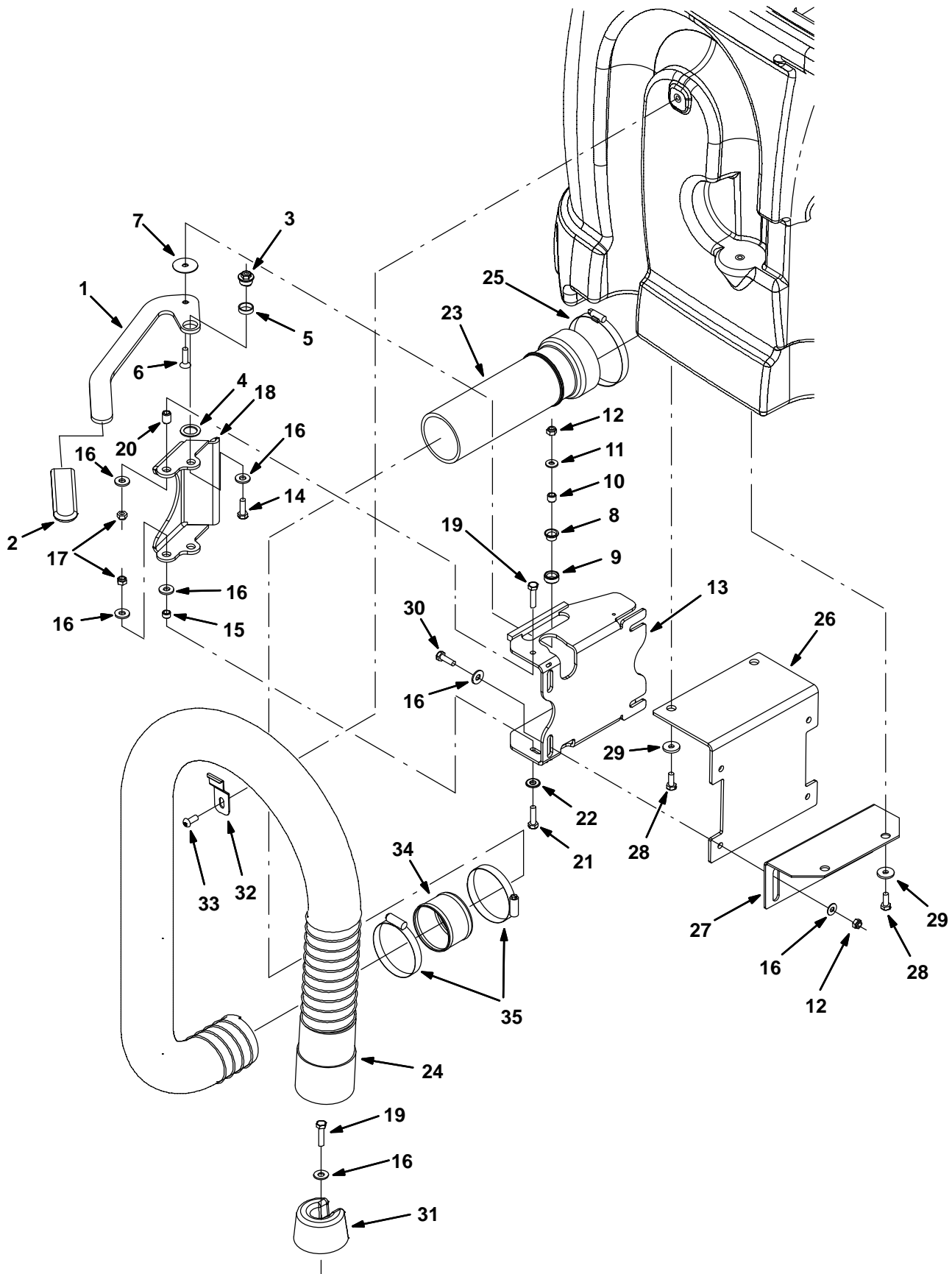


Fig. 68 – Recovery Tank Drain Group

Ref.	Part No.	Serial Number	Description	Qty.
1	1026142	(000000–)	Handle, Valve, Pinch, Lh	1
2	1023502	(000000–)	Grip, Handle	1
3	1024599	(000000–)	Bushing, Eccentric, Adj	1
4	1026051	(000000–)	Washer, Flat, 0.79b 1.18d .06, Nyl	1
5	74090	(000000–)	Bushing, Sleeve, 0.75b 0.88d 0.25l	1
6	79506	(000000–)	Screw, Flt, M8 X 1.25 X 30, Ss	1
7	1028701	(000000–)	Washer, Thrust, 0.34b 1.50d .06	1
8	15648	(000000–)	Bushing, Flng, 0.50b 0.59d 0.38l	1
9	1028691	(000000–)	Roller, Brg	1
10	1028690	(000000–)	Tube, 0.50d 0.32b 00.4l, Ss	1
11	39349	(000000–)	Washer, Flat, 0.31, Sae	1
12	08713	(000000–)	Nut, Hex, Lock, M8 X 1.25, NI, Ss	9
13	1042010	(000000–)	Mount Wldt, Valve, Pinch, Lh	1
14	39277	(000000–)	Screw, Hex, M8 X 1.25 X 25, 8.8	1
15	222516	(000000–)	Sleeve, P/M, 0.31b 0.50d 0.3l [430ss]	1
16	32491	(000000–)	Washer, Flat, 0.31, Std	10
17	08713	(000000–)	Nut, Hex, Lock, M8 X 1.25, NI, Ss	3
18	1024535	(000000–)	Arm, Pinch	1
19	06955	(000000–)	Screw, Hex, M8 X 1.25 X 35, 8.8	2
20	80395	(000000–)	Sleeve, P/M, 0.31b 0.50d 0.7l [430ss]	1
21	76570	(000000–)	Screw, Hex, M8 X 1.25 X 30, 8.8	1
22	41186	(000000–)	Washer, Flat, Belleville, .31	1
23	9003794	(000000–)	Tube Kit, Tank, Recvy, Replmt	1
24	1019424	(000000–)	Hose, Drain, 3.00id X 48.0l	1
25	23498	(000000–)	Clamp, Hose, Wormdrive, 3.56–4.50d, .50w	1
26	1025449	(000000–)	Angle, Mtg, Valve	2
27	1025452	(000000–)	Angle, Mtg, Stl, .12 3.7 3.4 09.1l	2
28	09740	(000000–)	Screw, Hex, M8 X 1.25 X 20, Ss	4
29	1017218	(000000–)	Washer, Flat, 0.32b 1.00d .12, Ss	4
30	09010	(000000–)	Screw, Hex, M8 X 1.25 X 25, Ss	4
31	1022137	(000000–)	Plug, Hose, Pyu	1
32	1025480	(000000–)	Bracket, Retaining, Hose	1
33	393135	(000000–)	Screw, Btn, M8 X 1.25 X 20, Blk	1
34	1020744	(000000–)	Tube, Rnd, 3.00d 2.90b 02.0l, Ss	1
35	43555	(000000–)	Clamp, Hose, Wormdrive, 2.50–3.50d, .50w	2

Fig. 69 – Vacuum Fan Group, Scrubbing (000000–005892)

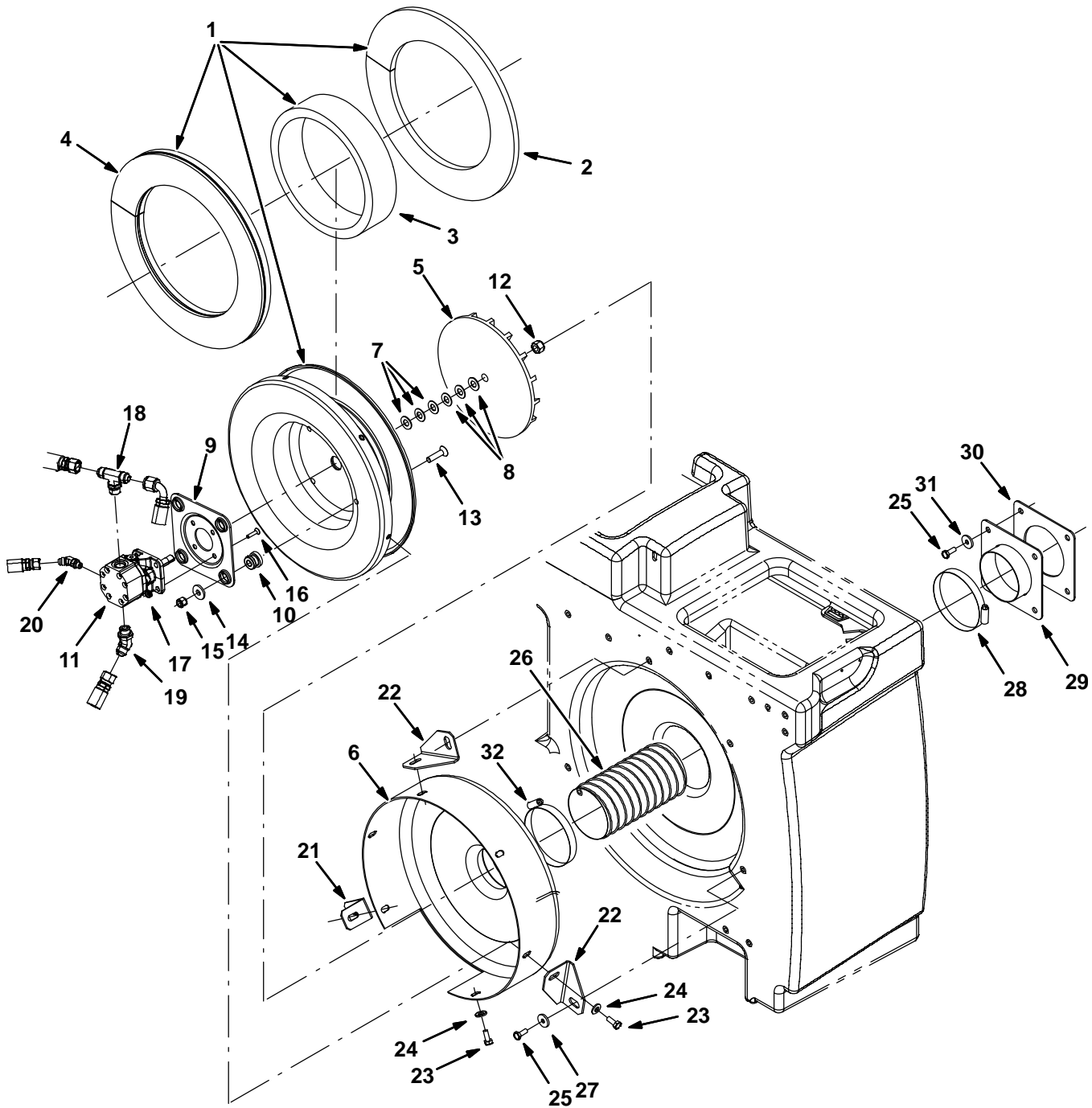


Fig. 69 – Vacuum Fan Group, Scrubbing (000000–005892)

Ref.	Part No.	Serial Number	Description	Qty.
▽	9003455	(000000–005892)	Fan Kit, Scrub, Replmt [M20/T20]	1
▲▽	1 9002684	(000000–005892)	Housing Assy, Vacfan, Scrbr	1
▲▲	2 1025888	(000000–005892)	Insulation, Flame–Retardant, 0.50	1
▲▲	3 1025887	(000000–005892)	Insulation, Flame–Retardant, 0.75–0.88	1
▲▲	4 1025872	(000000–005892)	Insulation, Flame–Retardant, 0.75–0.88	1
▲	5 03922	(000000–005892)	Impeller, 9.5d, 18 Bl	1
▲	6 57189	(000000–005892)	Housing Wldt, Vacfan, Front [528]	1
▲	7 75456–3	(000000–005892)	Shim, Washer, 0.88d 0.51b .020	3
▲	8 75456–4	(000000–005892)	Shim, Washer, 0.88d 0.51b .060	3
▲	9 54275A	(000000–005892)	Bracket, Mtg, Motor	1
▲	10 54274	(000000–005892)	Isolator, Vib, Bshg, 1.1d 0.6l .4b 0.78h	4
▲▽	11 9003461	(000000–005892)	Motor Kit, Replmt [M20&T20]	1
▲▲	00954	(000000–005892)	Key, Sq, 0.12 X 0.12, 1.00l (Included With Motor)	1
▲▲	74233	(000000–005892)	Kit, Seal, Motor, Hyd, Gear[Barns]	1
▲▲	12 41130	(000000–005892)	Nut, Low Crown, .50–20	1
▲▲	13 54861	(000000–005892)	Screw, Flt, .38–16 X 1.50, Al	4
▲▲	14 1014563	(000000–005892)	Washer, Flat, 0.40b 1.12d .12, Ss	4
▲▲	15 36643	(000000–005892)	Nut, Hex, Lock, .38–16, NI, Thin	4
▲▲	16 39534	(000000–005892)	Screw, Flt, .25–20 X 1.00, Al	4
▲▲	17 32981	(000000–005892)	Nut, Hex, Lock, .25–20, NI	4
▲▲	18 49933	(000000–005892)	Fitting, Hyd, Tee, Jm08/Jm08/Om08, Br	1
▲▲	19 42226	(000000–005892)	Fitting, Hyd, E45, Jm08/Om08	1
▲▲	20 392609	(000000–005892)	Fitting, Hyd, E45, Jm06/Om04	1
▲	21 1020320	(000000–005892)	Angle, Sppt, Fan	1
▲	22 1024891	(000000–005892)	Bracket, Mtg, Fan	2
▲	23 16931	(000000–005892)	Screw, Hex, M8 X 1.25 X 20, 8.8	6
▲	24 41186	(000000–005892)	Washer, Flat, Belleville, .31	6
	25 09740	(000000–005892)	Screw, Hex, M8 X 1.25 X 20, Ss	7
	26 1022377	(000000–005892)	Hose, Flex, 4.00d, 24.0l	1
	27 1014563	(000000–005892)	Washer, Flat, 0.40b 1.12d .12, Ss	3
	28 79380	(000000–005892)	Clamp, Hose, Wormdrive, 3.75–4.62d, .62w	1
	29 1023754	(000000–005892)	Plate Wldt, Hose, Vacuum	1
	30 1024853	(000000–005892)	Gasket, Plt, Hose, Vacuum	1
	31 1017218	(000000–005892)	Washer, Flat, 0.32b 1.00d .12, Ss	4
	32 23498	(000000–005892)	Clamp, Hose, Wormdrive, 3.56–4.50D, .50W	1

Fig. 70 – Vacuum Fan Group, Scrubbing (005893–)

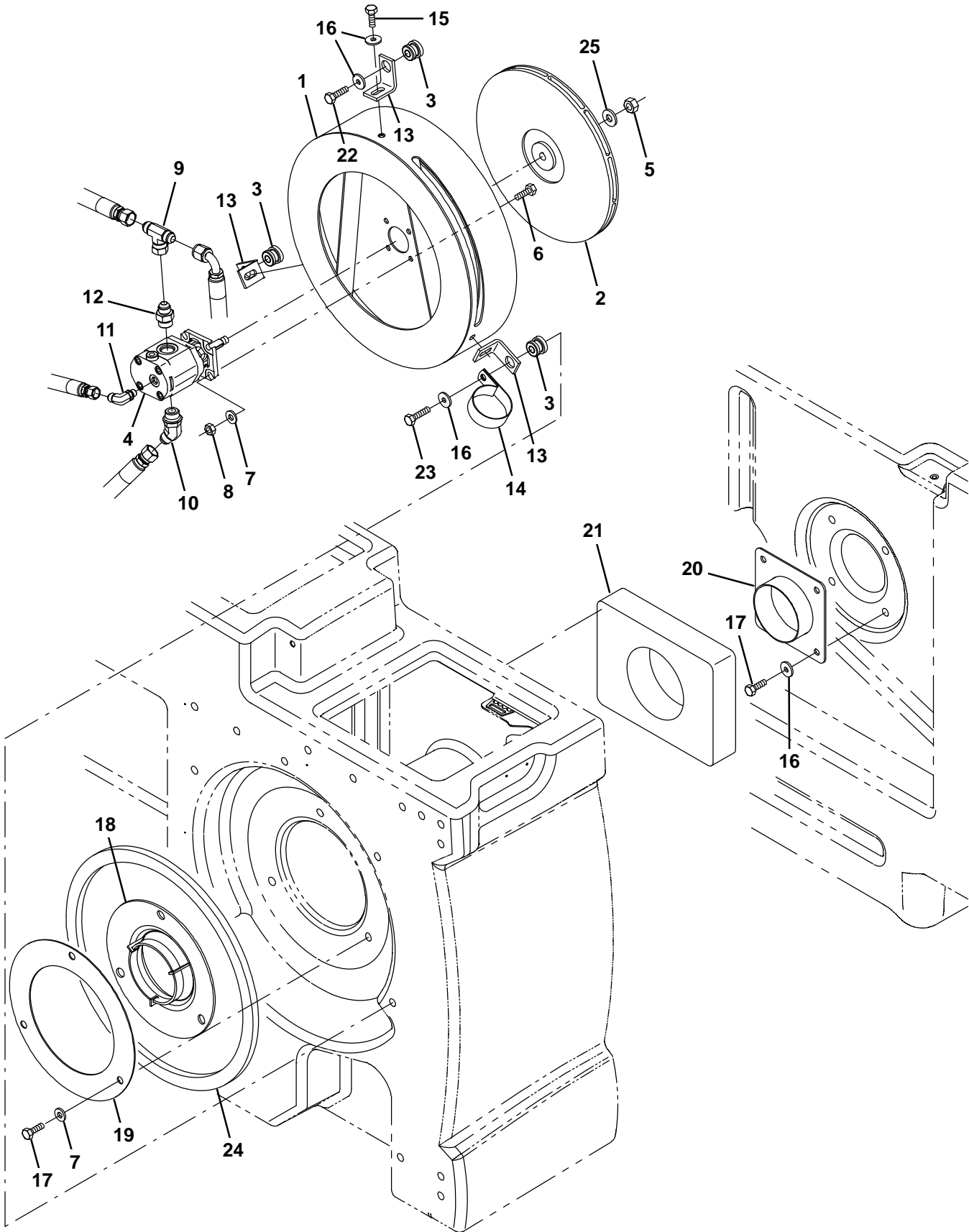
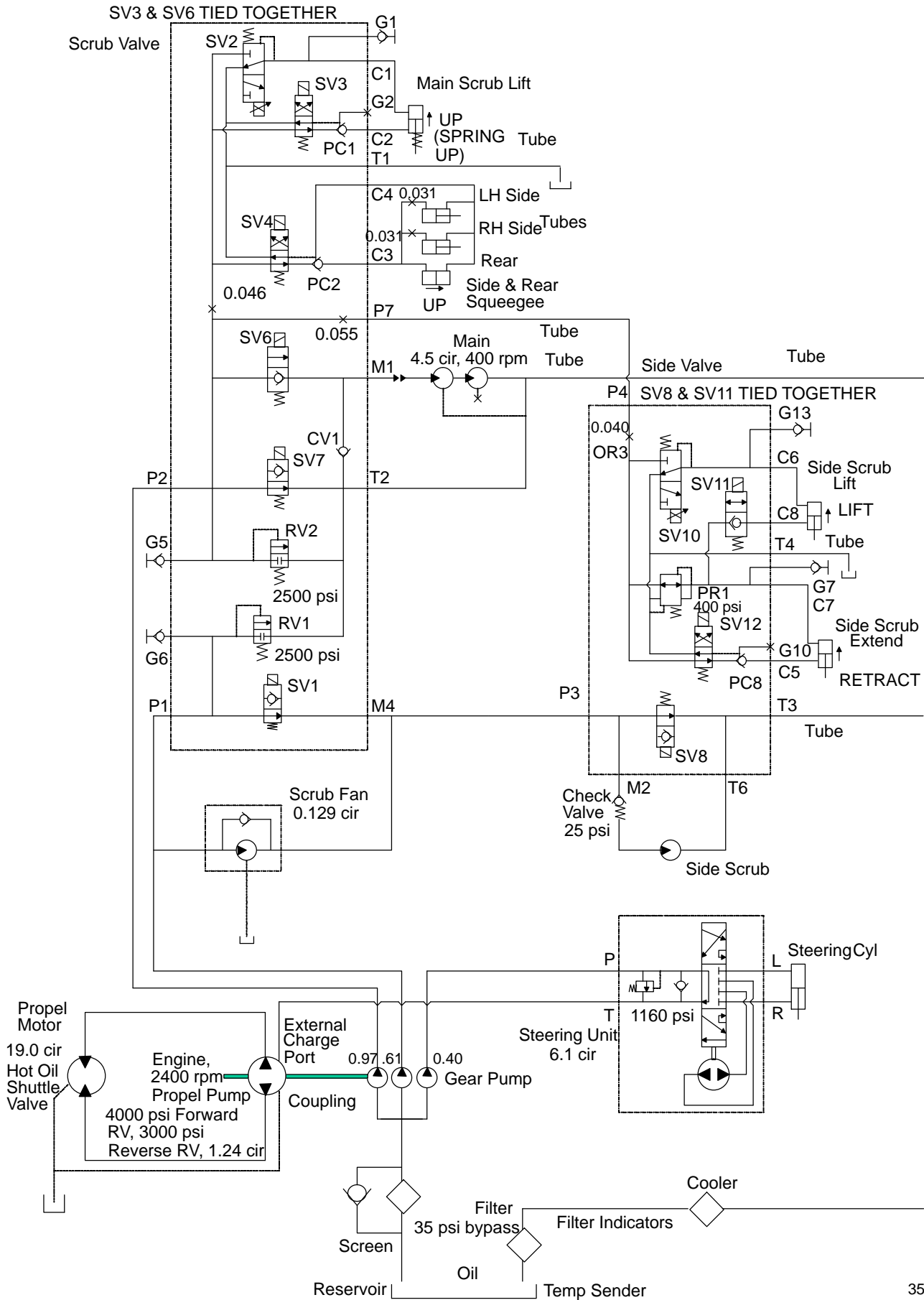


Fig. 70 – Vacuum Fan Group, Scrubbing (005893–)

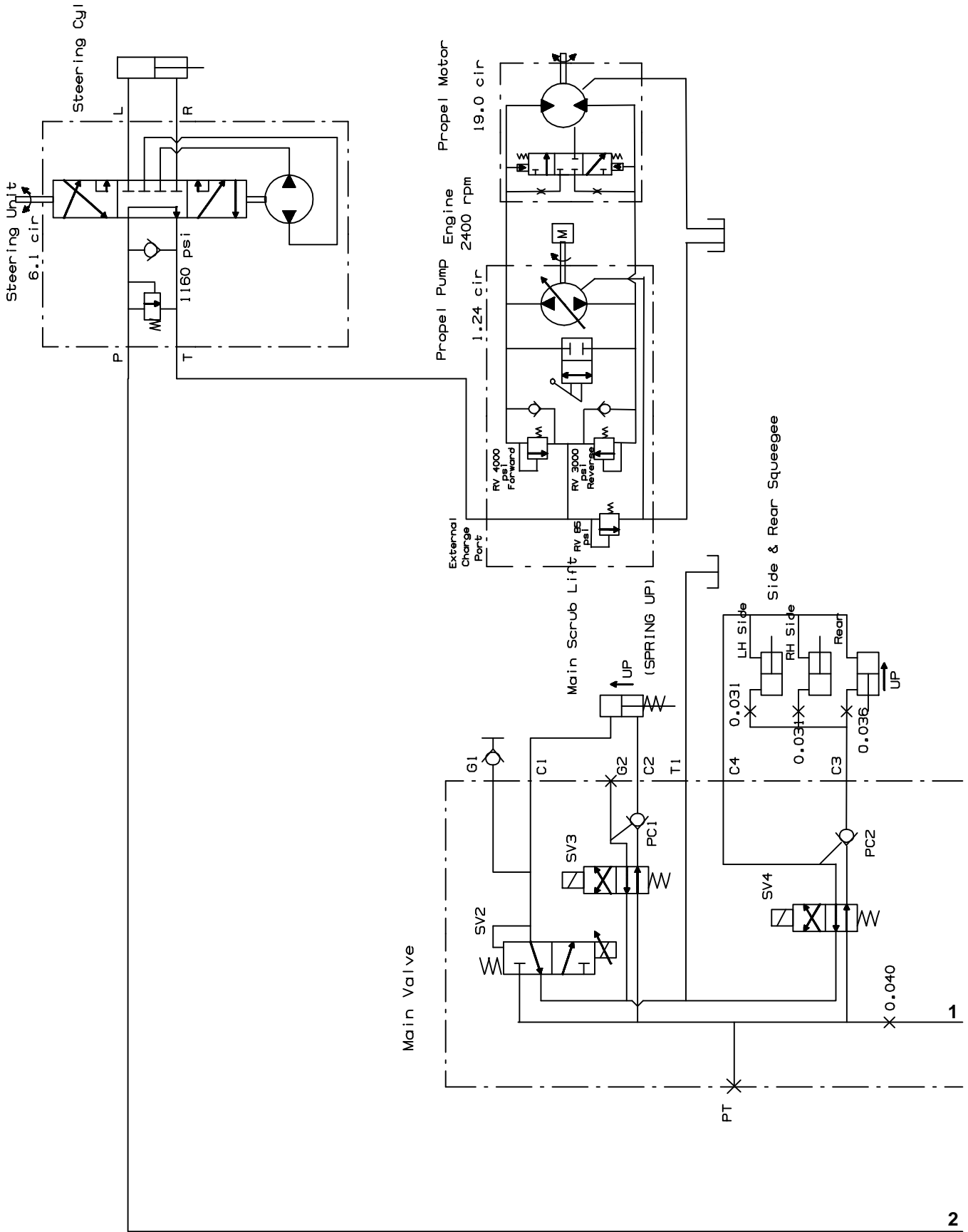
Ref.	Part No.	Serial Number	Description	Qty.
1	1068611	(005893–)	Plate Wldt, Mtg, Fan	1
2	1062033	(005893–)	Impeller, 11.81d X 0.500b	1
3	54274	(005893–)	Isolator, Vib, Bshg, 1.1d 0.6l .4b 0.78h	3
4	1071253	(005893–)	Motor, Hyd, Gear, Ext 0.17 Lh 3000	1
5	07788	(005893–)	Nut, Hex, Std, M12 X 1.75, Ss	1
6	09010	(005893–)	Screw, Hex, M8 X 1.25 X 25, Ss	4
7	01685	(005893–)	Washer, Flat, 0.38b 0.88d .08, Ss	7
8	08713	(005893–)	Nut, Hex, Lock, M8 X 1.25, NI, Ss	4
9	76315	(005893–)	Fitting, Hyd, Tee, Jf08/Jm08/Jm08, Br	1
10	47513	(005893–)	Fitting, Hyd, E45, Jm08/Om10	1
11	77098	(005893–)	Fitting, Hyd, E90, Jm06/Om04	1
12	56692	(005893–)	Fitting, Hyd, Str, Jm08/Om10	1
13	1068644	(005893–)	Angle, Sppt, Fan	3
14	70157	(005893–)	Clamp, Cable, Ss, 2.50d X 1.00w, 1hole	1
15	39277	(005893–)	Screw, Hex, M8 X 1.25 X 25, 8.8	3
16	1017218	(005893–)	Washer, Flat, 0.32b 1.00d .12, Ss	10
17	09740	(005893–)	Screw, Hex, M8 X 1.25 X 20, Ss	7
18	1059100	(005893–)	Housing, Fan, Radial Discharge, Sq Inlet	1
19	1074577	(005893–)	Plate, Rnd	1
20	1023754	(005893–)	Plate Wldt, Hose, Vacuum	1
21	1060716	(005893–)	Gasket, 2.00, 07.87w 10.24l, Adh	1
22	09011	(005893–)	Screw, Hex, M8 X 1.25 X 30, Ss	2
23	09023	(005893–)	Screw, Hex, M8 X 1.25 X 35, Fl, Ss	1
24	1068613	(005893–)	Gasket, Foam, .50, 14.76id 16.54od, Adh	1
25	36328	(005893–)	Washer, Flat, Belleville, .50	1

Fig. 71 - Hydraulic Schematic (000000-001503)



354520

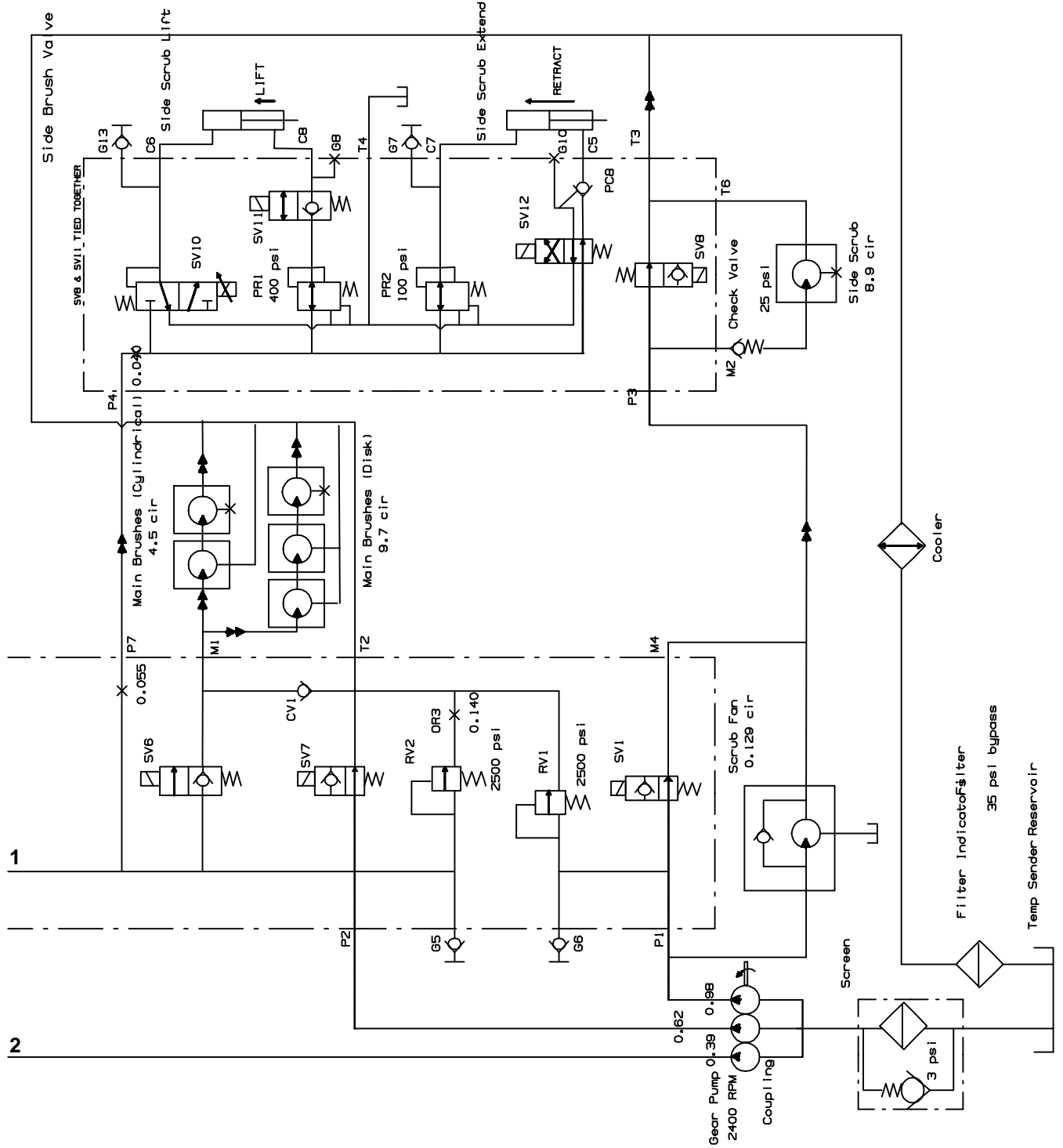
Fig. 72 – Hydraulic Schematic (001504-002282)



2

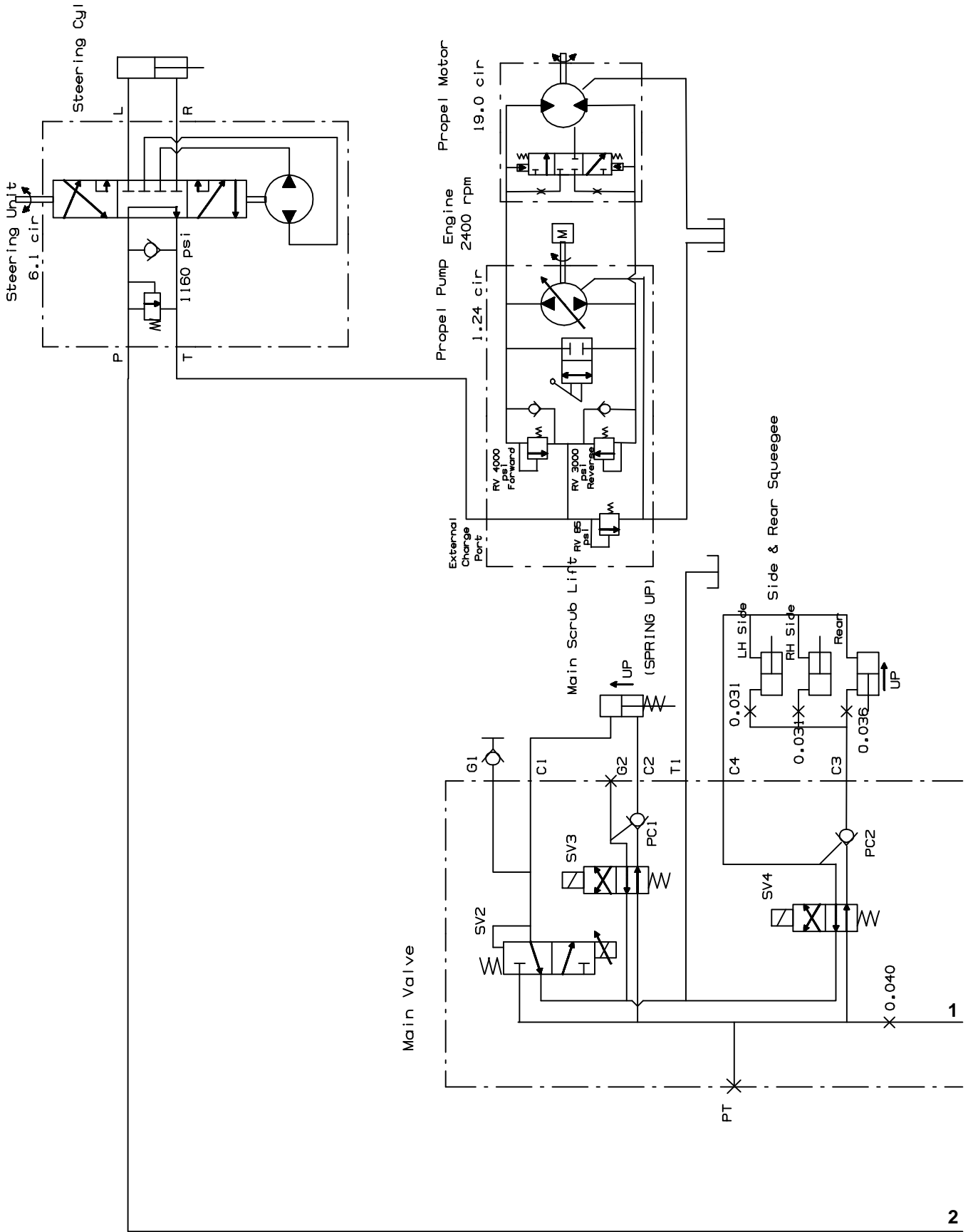
354520 – T20

Fig. 72 – Hydraulic Schematic (001504-002282)



354520 – T20

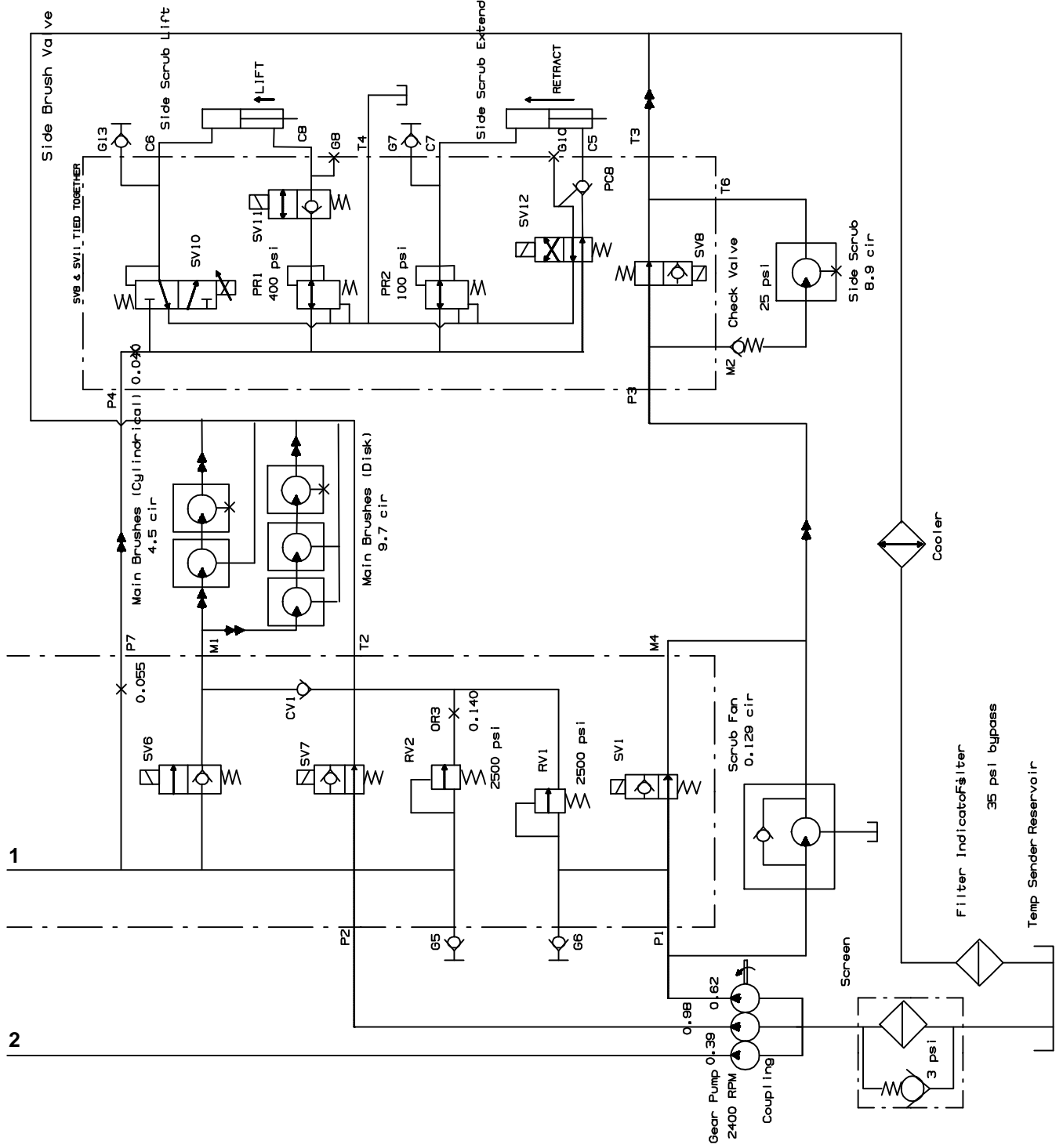
Fig. 73 – Hydraulic Schematic (002283-)



2

354520 – T20

Fig. 73 – Hydraulic Schematic (002283–)



354520 – T20

Fig. 74 – Hydraulic Hose Group, Steering and Propel

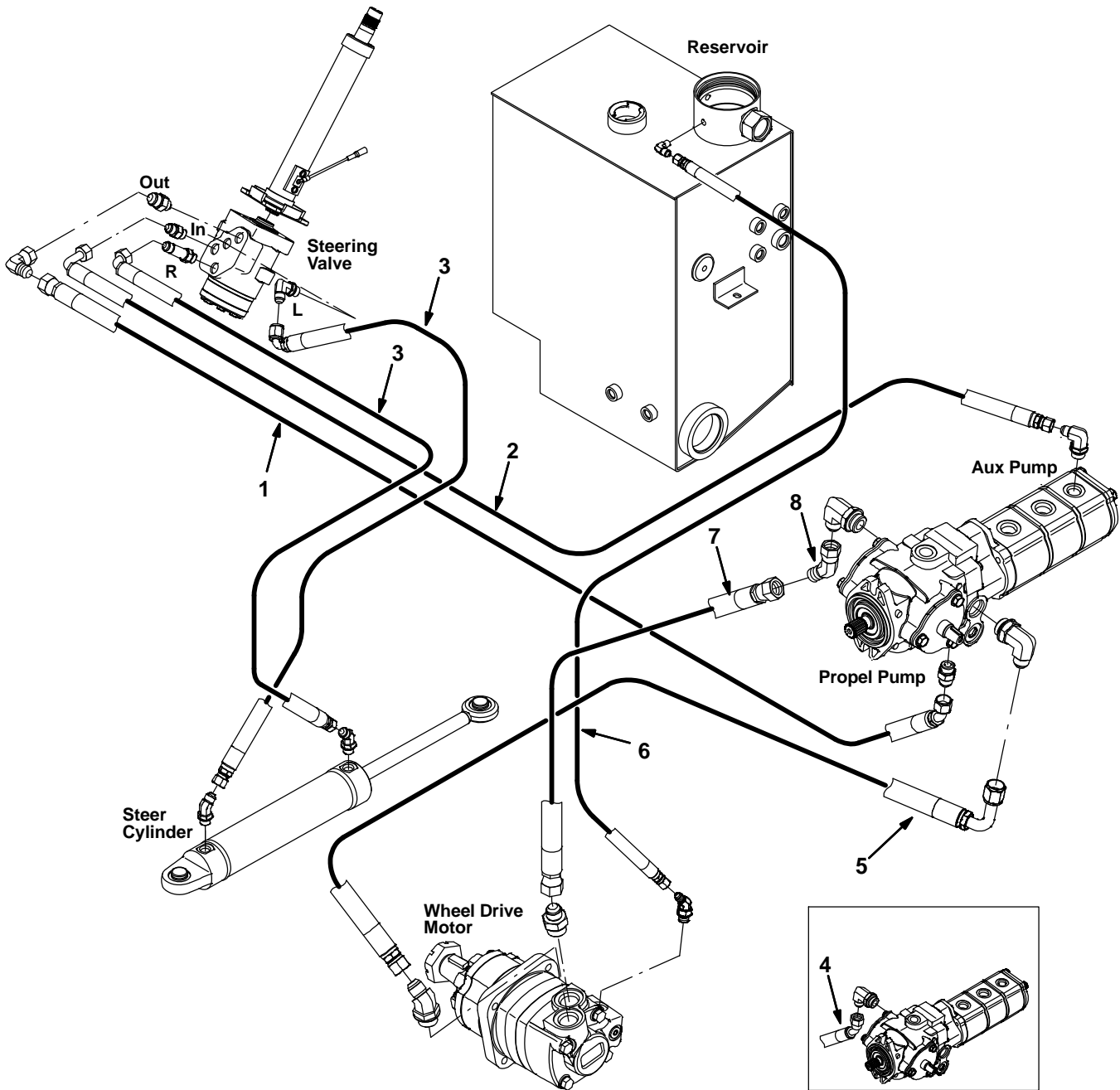


Fig. 74 – Hydraulic Hose Group, Steering and Propel

Ref.	Part No.	Serial Number	Description	Qty.
1	1023609	(000000–)	Hose, Hyd, Tc08, Jf08e45/Jf08str, 96.0	1
2	1023608	(000000–)	Hose, Hyd, Tc06, Jf06e90/Jf06str, 104.0	1
3	396221	(000000–)	Hose, Hyd, Tc06, Jf06e90/Jf06str, 040.0	2
4	1039148	(000000–001574)	Hose Kit, Hyd, Propel, Ci [M20/T20]	1
5	1023488	(000000–)	Hose, Hyd, Spcl, Jf10e90/Jf10str, 63.0	1
6	1030404	(000000–)	Hose, Hyd,Med04, Jf04str/Jf04str, 066.0	1
7	1038569	(001575–)	Hose, Hyd, Spcl, Jf10str/Jf10str, 56.5	1
8	54017	(001575–)	Fitting, Hyd, E45, Jf10/Jm10	1

Fig. 75 – Hydraulic Hose Group, Pump and Vacuum Fan

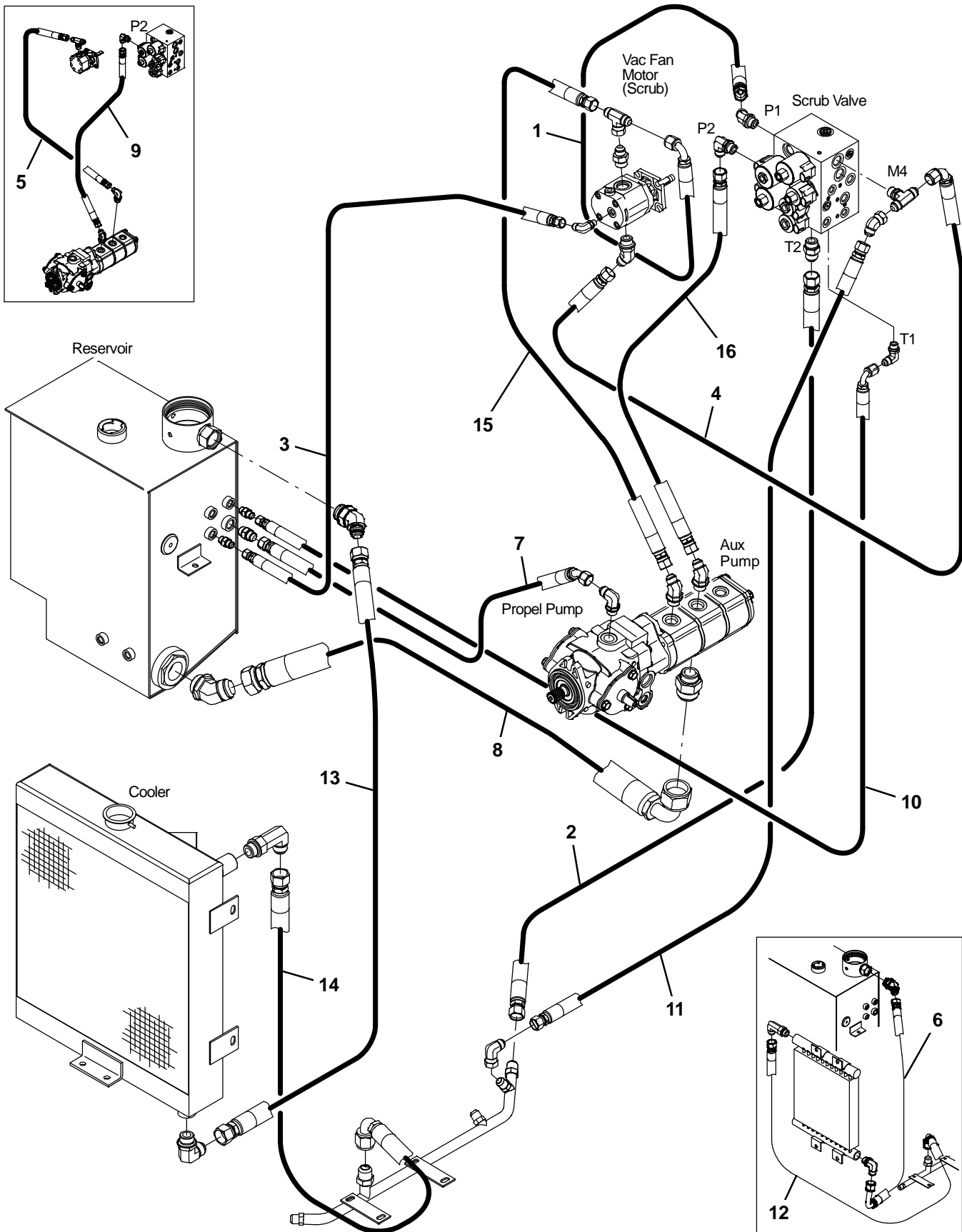


Fig. 75 – Hydraulic Hose Group, Pump and Vacuum Fan

Ref.	Part No.	Serial Number	Description	Qty.
1	71741	(000000–)	Hose, Hyd, Tc08, Jf08e90/Jf08str, 046.0	1
2	65197	(000000–)	Hose, Hyd, Med08, Jf08e90/Jf08str, 062.0	1
3	396273	(000000–)	Hose, Hyd, Med06, Jf06str/Jf06str, 033.0	1
4	396255	(000000–)	Hose, Hyd, Tc08, Jf08str/Jf08e90, 031.0	1
5	1026645	(000000–002282)	Hose, Hyd, Tc08, Jf08e45/Jf08str, 26.0	1
6	1023487	(000000–002092)	Hose, Hyd, Med12, Jf12e90/Jf12str, 50.0	1
7	1023607	(000000–)	Hose, Hyd, Med08, Jf08str /Jf08e45, 21.0	1
8	1036710	(000000–)	Hose, Hyd, Suc20, Jf20Str/Jf20E90, 030.0	1
9	1023606	(000000–002282)	Hose, Hyd, Tc08, Jf08str/Jf08str, 21.0	1
10	71735	(000000–)	Hose, Hyd, Med06, Jf06e90/Jf06str, 042.0	1
11	1025547	(000000–)	Hose, Hyd, Med10, Jf10str/Jf10str, 41.0	1
12	396438	(000000–002092)	Hose, Hyd, Tc12, Jf12e90/Jf12str, 044.0	1
13	1050437	(002093–004999)	Hose, Hyd, Med12, Jf12str/Jf12str, 052.0	1
13	1028145	(005000–)	Hose, Hyd, Med12, Jf12str/Jf12str, 066.0	1
14	1050436	(002093–)	Hose, Hyd, Med12, Jf12e90/Jf12str, 029.0	1
15	1026645	(002283–)	Hose, Hyd, Tc08, Jf08E45/Jf08Str, 026.0	1
16	1023606	(002283–)	Hose, Hyd, Tc08, Jf08Str/Jf08Str, 021.0	1

Fig. 76 – Hydraulic Hose Group, Cylindrical Brush

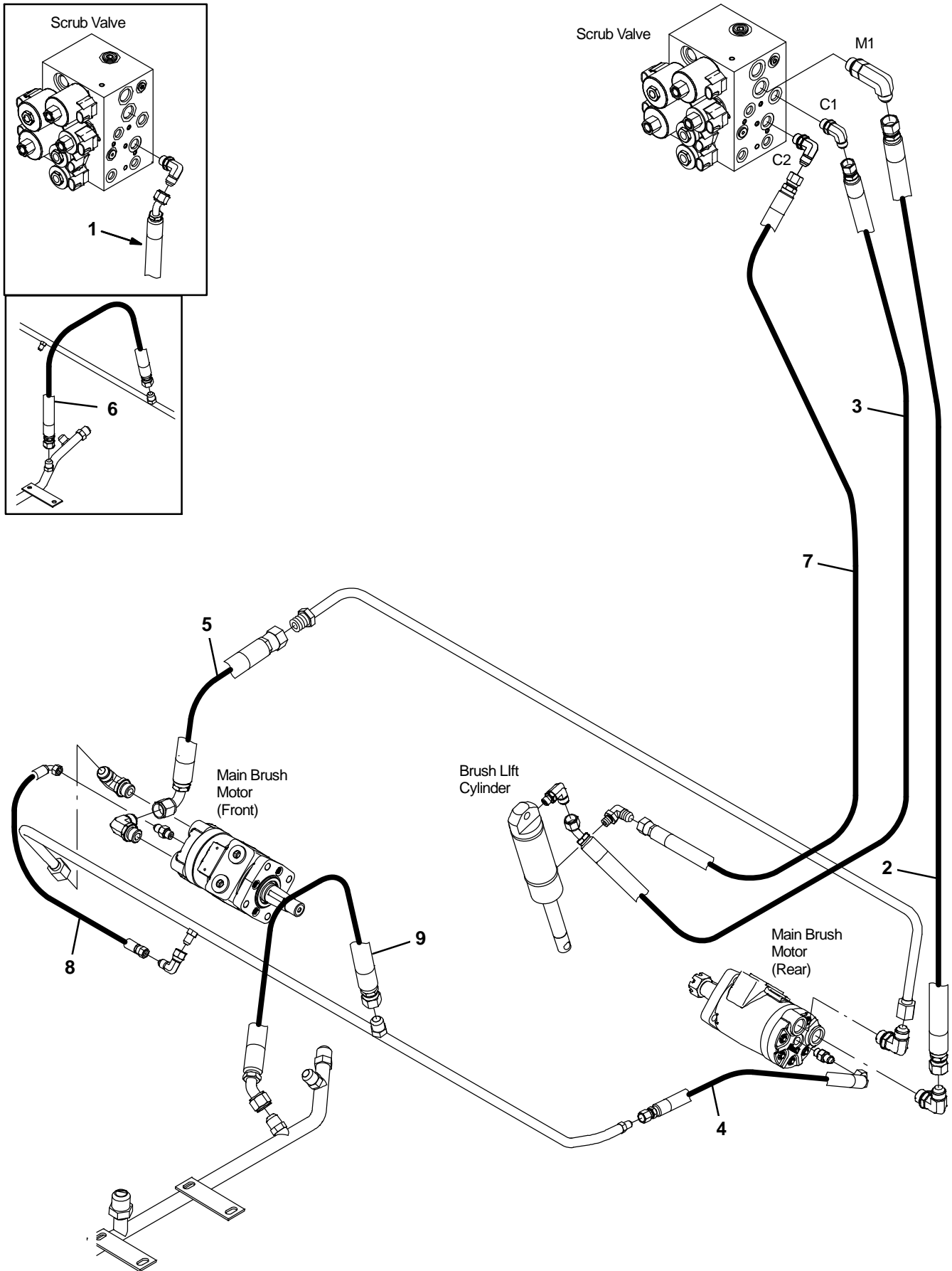


Fig. 76 – Hydraulic Hose Group, Cylindrical Brush

Ref.	Part No.	Serial Number	Description	Qty.
1	1025548	(000000–001037)	Hose, Hyd, Tc06, Jf06str /Jf06e45, 54.0	1
2	1024764	(000000–)	Hose, Hyd, Tc08, Jf08str/Jf08str, 48.0	1
3	1023769	(000000–)	Hose, Hyd, Tc 06, Jf06str /Jf06e45, 56.0	1
4	57946	(000000–)	Hose, Hyd, Med04, Jf04e90/Jf04str, 016.0	1
5	1025544	(000000–)	Hose, Hyd, Tc08, Jf08e90/Jf08str, 13.0	1
6	51754	(000000–004999)	Hose, Hyd, Med08, Jf08str/Jf08str, 022.0	1
7	1036939	(001038–)	Hose, Hyd, Tc06, Jf06Str/Jf06Str, 054.0	1
8	387281	(002097–)	Hose, Hyd, Tc04, Jf04e90/Jf04str, 020.0	1
9	364978	(005000–005833)	Hose, Hyd, Med08, Jf08e45/Jf08str, 029.0	1
9	1041391	(005834–)	Hose, Hyd, Tc08, Jf08e45/Jf08str, 018.0	1

Fig. 77 – Hydraulic Hose Group, Disk Brush

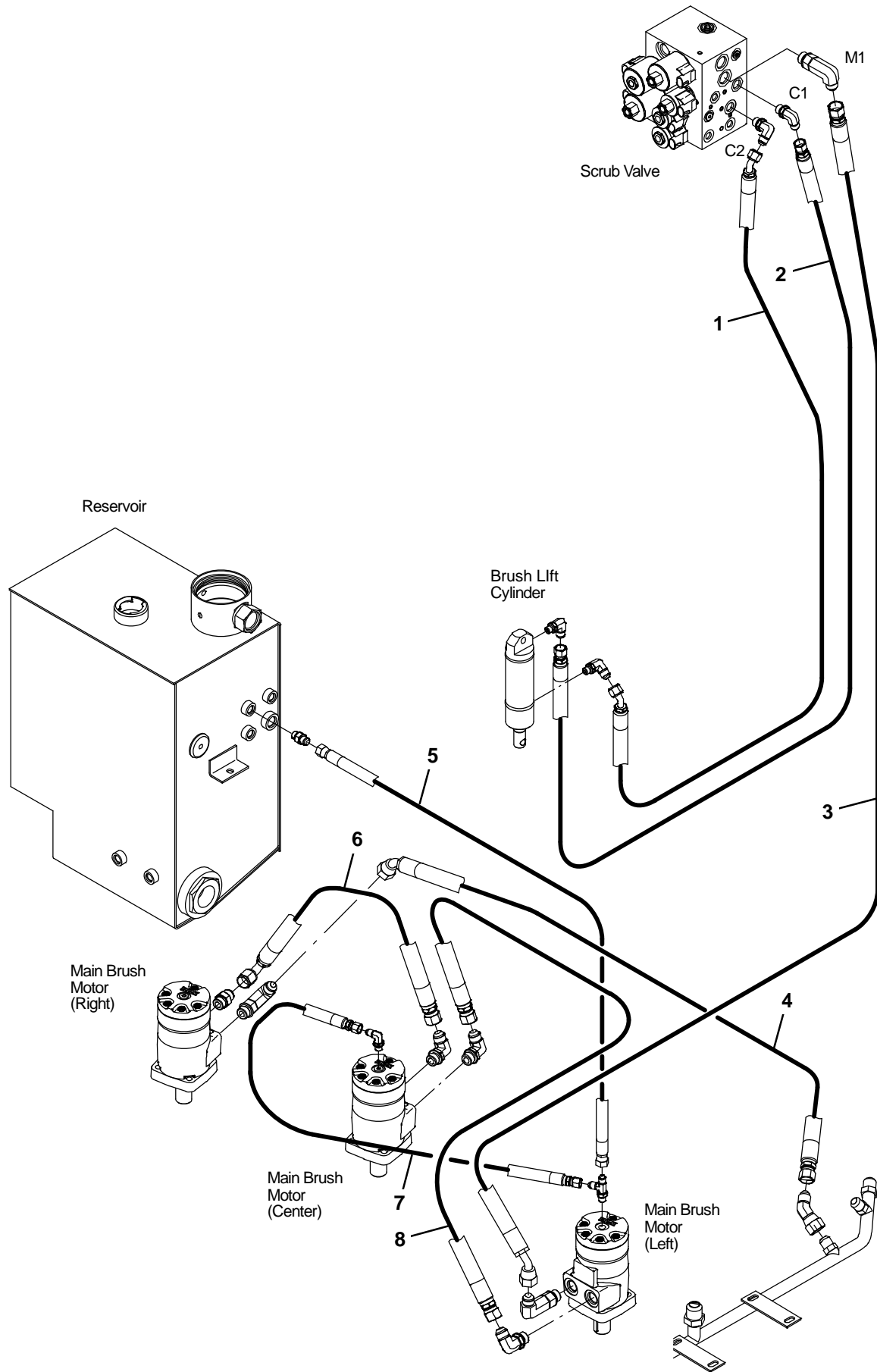


Fig. 77 – Hydraulic Hose Group, Disk Brush

Ref.	Part No.	Serial Number	Description	Qty.
1	1025548	(000000–) Hose, Hyd, Tc06, Jf06str /Jf06e45, 54.0	1
2	1023769	(000000–) Hose, Hyd, Tc 06, Jf06str /Jf06e45, 56.0	1
3	381854	(000000–) Hose, Hyd, Tc08, Jf08e45/Jf08str, 052.0	1
4	16462	(000000–) Hose, Hyd, Med08, Jf08e45/Jf08str, 046.0	1
5	381866	(000000–) Hose, Hyd, Tc04, Jf04str/Jf04str, 036.0	1
6	396278	(000000–) Hose, Hyd, Tc08, Jf08e90/Jf08str, 020.0	1
7	381866	(000000–) Hose, Hyd, Tc04, Jf04str/Jf04str, 036.0	1
8	365009	(000000–) Hose, Hyd, Tc08, Jf08str/Jf08str, 040.0	1

Fig. 78 – Hydraulic Hose Group, Squeegee Lift

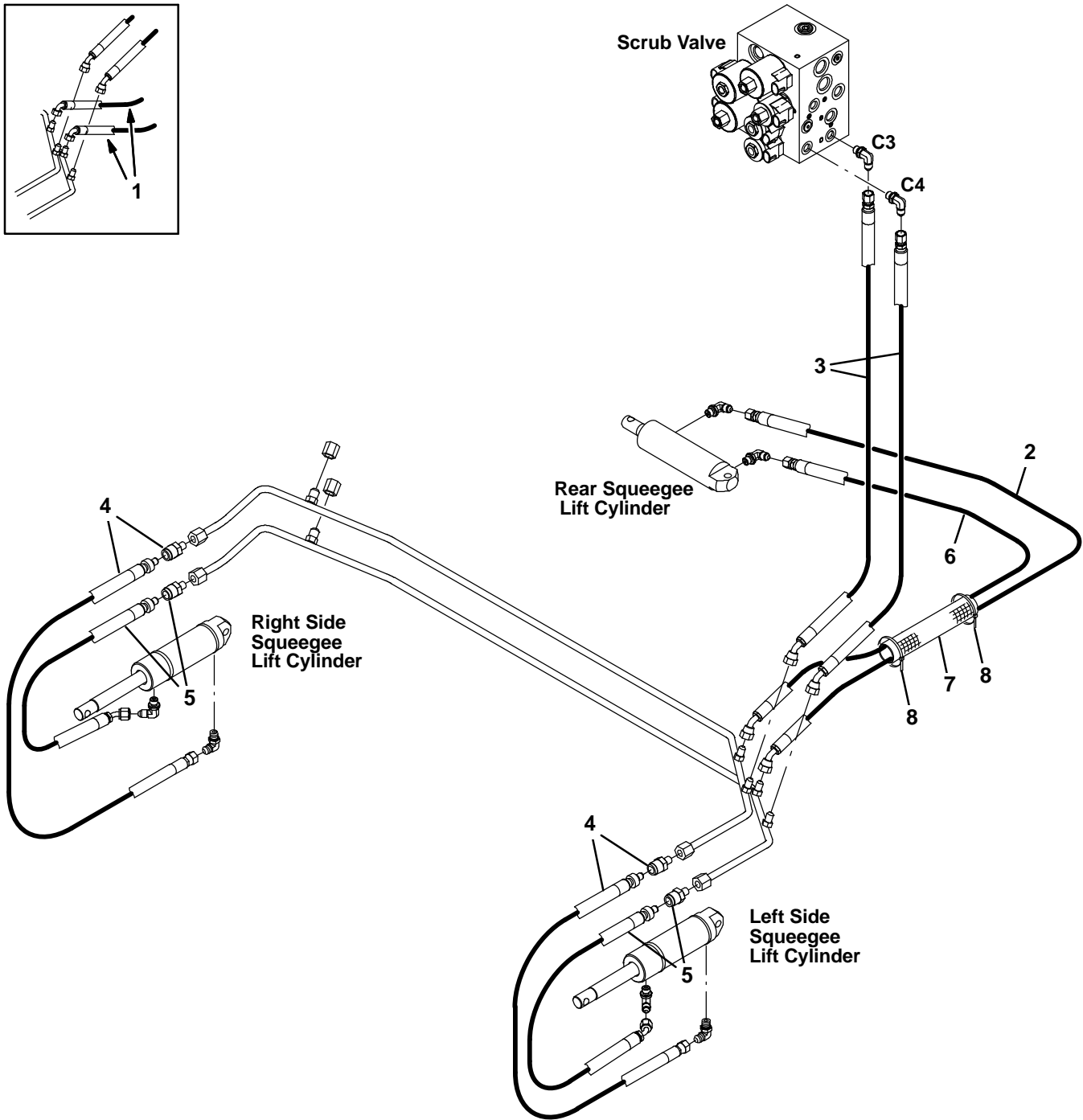


Fig. 78 – Hydraulic Hose Group, Squeegee Lift

Ref.	Part No.	Serial Number	Description	Qty.
1	9006562	(000000–002121)	Hose Kit, Hyd, Sqge Lift [T20]	1
2	1055588	(002122–)	Hose, Hyd, Tc04, Jf04e45/Jf04str, 044.0	1
3	1030709	(000000–)	Hose, Hyd, Tc 04, Jf04str /Jf04e45 , 35.0	2
4	1045759	(001755–)	Hose, Hyd, Tc04, Jf04Str/Qm06, 028.0	2
4	1037042	(000000–001754)	Hose, Hyd, Tc04, Jf04E45/Qm06, 028.0	2
5	1036899	(000000–)	Hose, Hyd, Tc04, Jf04E45/Qm06, 024.0	2
6	1055590	(002122–)	Hose, Hyd, Tc04, Jf04e45/Jf04str, 048.0	1
7	57223	(002122–)	Sleeve, Nyl, 1.22id 14.0l	1
8	49266	(002122–)	Tie, Cable, Nyl, 07.3l .19w 1.8 Max D	2

Fig. 79 – Hydraulic Pumps Group

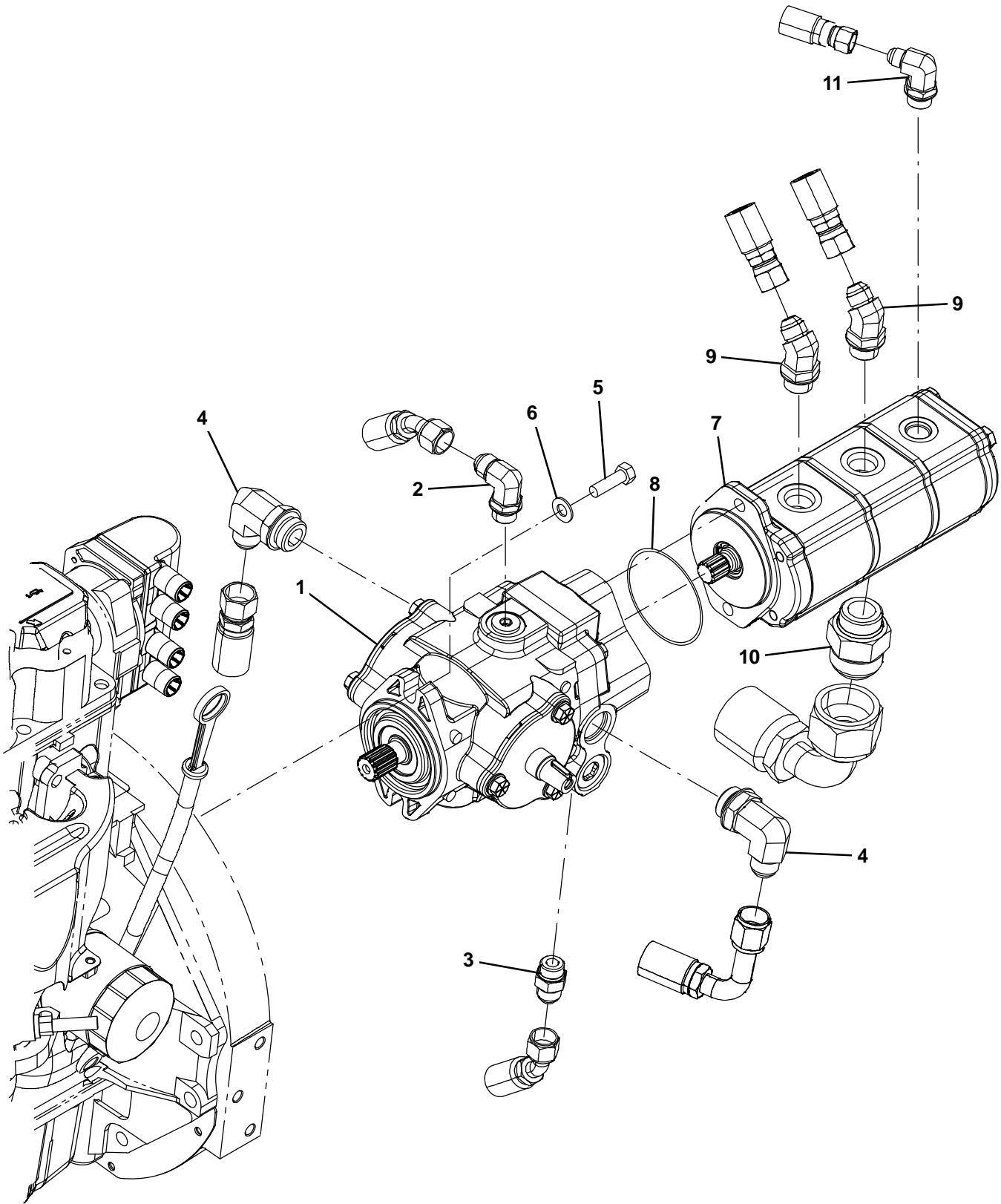


Fig. 79 – Hydraulic Pumps Group

Ref.	Part No.	Serial Number	Description	Qty.
1	1024251	(000000–) Pump, Hyd, Piston, Var, 1.24 4000, Cw (See Breakdowns)	1
2	44868	(000000–) Fitting, Hyd, E90, Jm08/Om08	1
3	44869	(000000–) Fitting, Hyd, Str, Jm08/Om08	1
4	53076	(000000–) Fitting, Hyd, E90, Jm10/Om12	2
5	21198	(000000–) Screw, Hex, .38–16 X 1.25, 5	22
6	32485	(000000–) Washer, Flat, 0.38 Sae	2
7	9007142	(000000–) Pump Kit, Mtg, Aux, Ci [M20 & T20]	1
8	65145–1	(000000–) Seal, Org, .069 X 3.06id	11
9	47513	(000000–) Fitting, Hyd, E45, Jm08/Om10	2
10	67811	(000000–) Fitting, Hyd, Str, Jm20/Om16	1
11	47512	(000000–) Fitting, Hyd, E90, Jm06/Om08	1

Fig. 80 – Hydraulic Cooler and Tubes Group

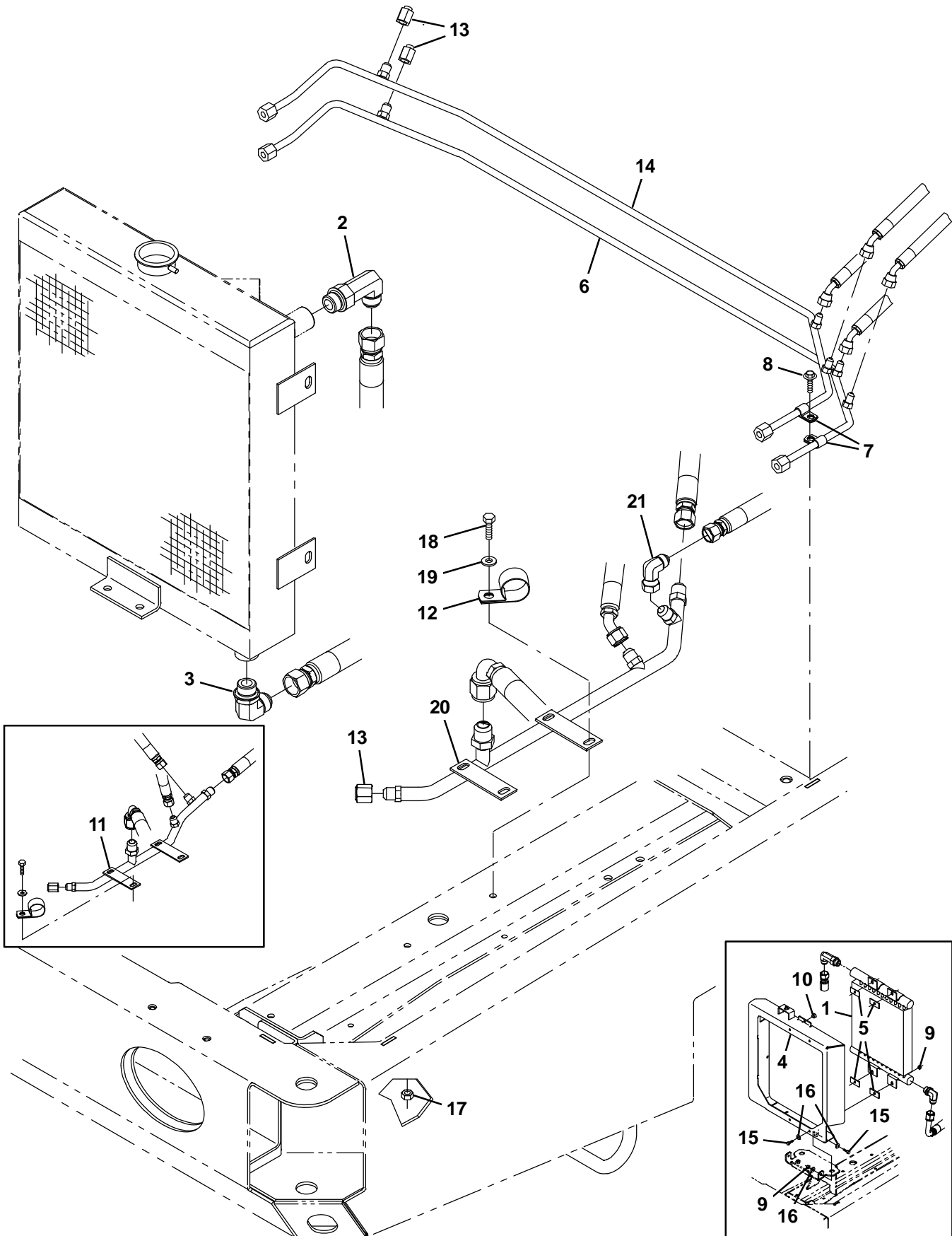


Fig. 80 – Hydraulic Cooler and Tubes Group

Ref.	Part No.	Serial Number	Description	Qty.
1	13698	(000000-002092)	Cooler, Hyd, 25gpm 325btu Of12 13x12x2	1
2	46481	(000000-)	Fitting, Hyd, E90, Jm12/Om12	1
3	62471	(000000-)	Fitting, Hyd, E90, Jm12/Om12, L	1
4	1026319	(000000-002092)	Bracket Wldt, Cooler, Hyd Fluid	1
5	1040318	(000000-002092)	Pad, Tank, Hyd [W/Psa]	4
6	1028822	(000000-)	Tube, Hyd, Sqge	1
7	40678	(000000-)	Clamp, Cable, Stl, 0.44d X 0.62w, 1h	2
8	74455	(000000-)	Screw, Hex, M6 X 1.0 X 12, Fmg	1
9	07791	(000000-002092)	Nut, Hex, Fing, M8 X 1.25	8
10	51787	(000000-002092)	Bumper, Rbr, 0.6d 0.34t .3d Tip	1
11	1023081	(000000-004999)	Tube, Hyd, Main Return [M20]	1
12	53466	(000000-)	Clamp, Cable, Stl, 1.50d X 1.00w, 1h	1
13	40625	(000000-)	Fitting, Hyd, Cap, Jf06	3
14	1028821	(000000-)	Tube, Hyd, Sqge	1
15	39277	(000000-002092)	Screw, Hex, M8 X 1.25 X 25, 8.8	8
16	32491	(000000-002092)	Washer, Flat, 0.31, Std	7
17	41430	(000000-)	Nut, Hex, Lock, M10 X 1.5, NI	2
18	39277	(000000-)	Screw, Hex, M8 X 1.25 X 25, 8.8	2
19	32491	(000000-)	Washer, Flat, 0.31, Std	2
20	1071173	(005000-)	Tube, Hyd, Main Return [G/Lp Mit2013]	1
21	17980	(005000-)	Fitting, Hyd, E90, Jf08/Jm08	1

Fig. 81 – Hydraulic Reservoir Group

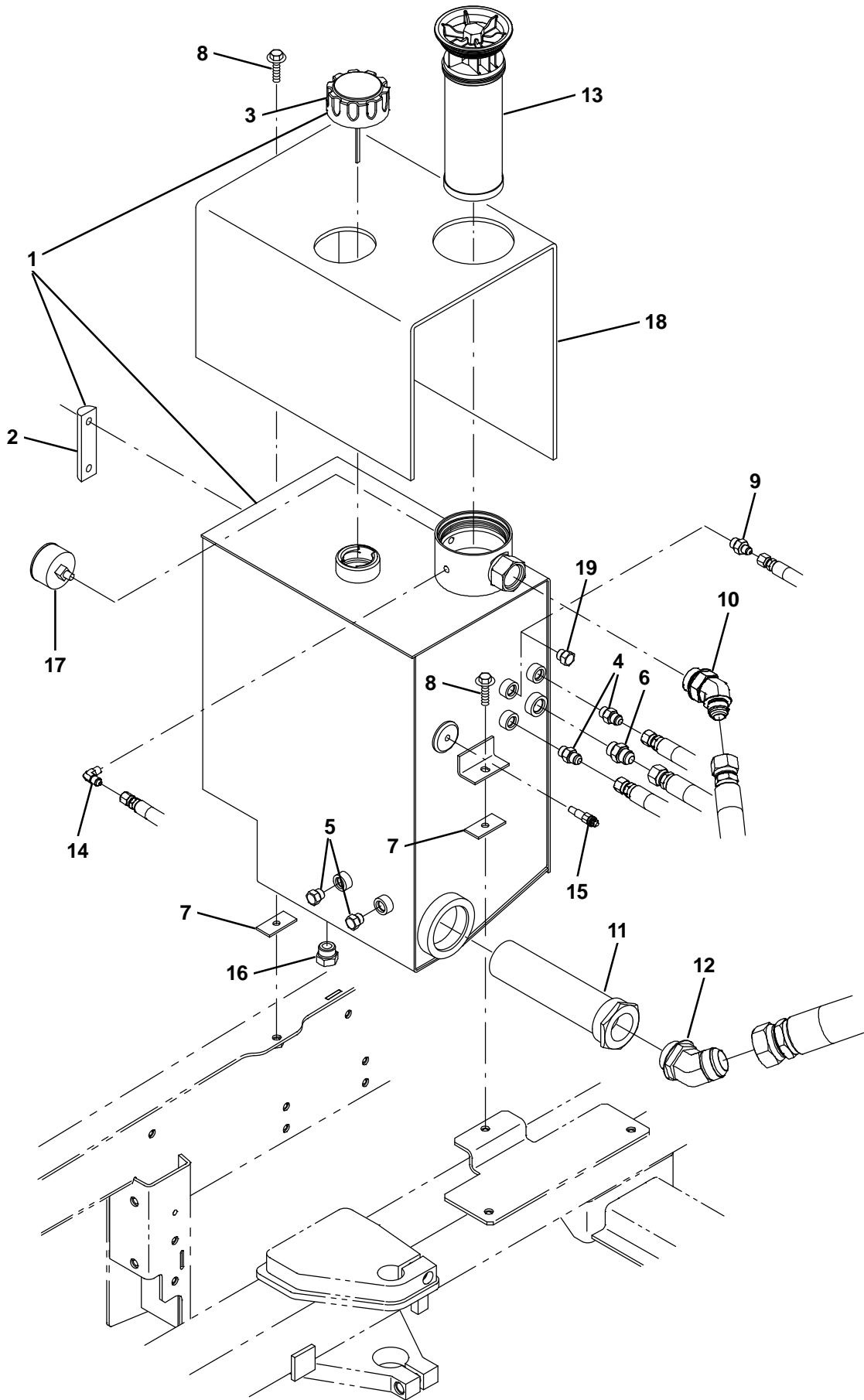


Fig. 81 – Hydraulic Reservoir Group

	Ref.	Part No.	Serial Number	Description	Qty.
▽	1	9002398	(000000–) Reservoir, Hyd, 10.0Gal, Replmt	1
▲	2	65215	(000000–) Gauge, Sensing, Level	1
▲	3	25122	(000000–) Cap, Breather, Hyd, 2.4 Ds	1
	4	56690	(000000–) Fitting, Hyd, Str, Jm06/Om06	2
	5	46482	(000000–) Fitting, Hyd, Plug, Om06	2
	6	44869	(000000–) Fitting, Hyd, Str, Jm08/Om08	1
	7	1040318	(000000–) Pad, Tank, Hyd [W/Psa]	2
	8	1037354	(000000–) Screw, Hex, M8 X 1.25 X 30, 9.8, Sems	2
	9	55685	(000000–) Fitting, Hyd, Str, Jm04/Om06 (Disk Scrub Head Only)	1
	10	1023545	(000000–) Fitting, Hyd, E45, Jm12/Om16	1
	11	31613	(000000–) Strainer, Hyd, 25gpm 100mesh Psi	1
	12	71726	(000000–) Fitting, Hyd, E45, Jm20/Om20	1
	13	1021579	(000000–) Filter Assy, Hyd, 10mic	1
	14	55455	(000000–) Fitting, Hyd, E90, Jm04/Pm02	1
	15	58592	(000000–) Send–Unit, Water, Temp, 04npt 113oh/195d	1
	16	40362	(000000–) Fitting, Hyd, Plug, Om10	1
	17	1025132	(000000–) Indicator, Press, 60psi	1
	18	1034878	(000000–) Insulation, Thermal, Hydraulic Blanket	1
	19	46482	(000000–) Fitting, Hyd, Plug, Om06 (Cylindrical Scrub Head Only)	1

Fig. 82 – Hydraulic Valve Group

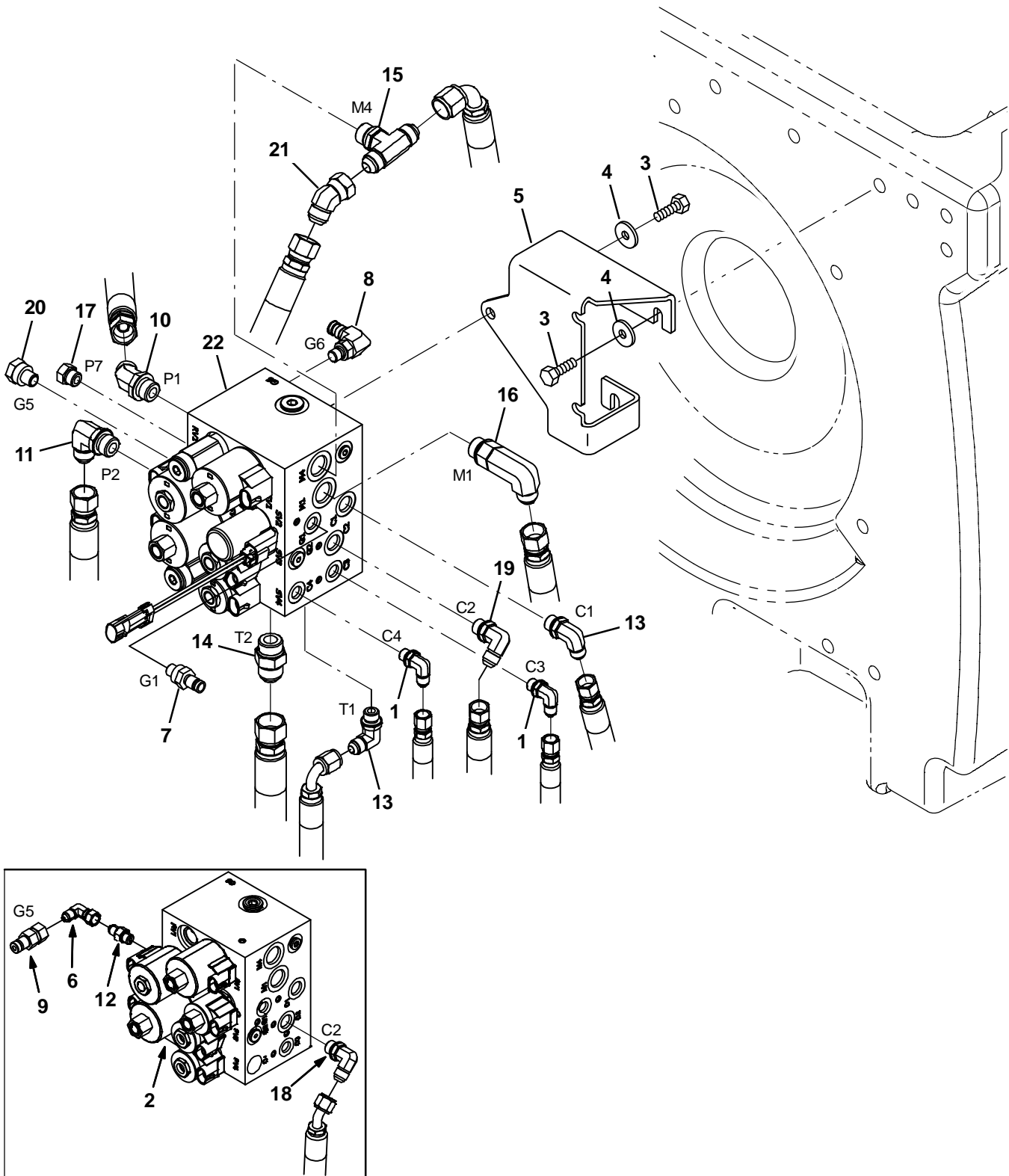


Fig. 82 – Hydraulic Valve Group

Ref.	Part No.	Serial Number	Description	Qty.
1	77097	(000000–)	Fitting, Hyd, E90, Jm04/Om04	2
2	1020394	(000000–005300)	Valve, Cntrl, Hyd (See Breakdowns)	1
3	09740	(000000–)	Screw, Hex, M8 X 1.25 X 20, Ss	6
4	1017218	(000000–)	Washer, Flat, 0.32b 1.00d .12, Ss	6
5	1021991	(000000–)	Bracket, Mtg, Valve, Hyd, Scb	1
6	39210	(000000–001018)	Fitting, Hyd, E90, Jf04/Jm04	1
7	395973	(000000–)	Fitting, Hyd, Str, Om04/Qm04	1
8	395974	(000000–)	Fitting, Hyd, E90, Om04/Qm04	1
9	396476	(000000–001018)	Fitting, Hyd, Str, Jf04/Qm04	1
10	42226	(000000–)	Fitting, Hyd, E45, Jm08/Om08	1
11	44868	(000000–)	Fitting, Hyd, E90, Jm08/Om08	1
12	55586	(000000–001018)	Fitting, Hyd, Str, Jm04/Om04	1
13	56820	(000000–)	Fitting, Hyd, E90, Jm06/Om06	2
14	46480	(000000–)	Fitting, Hyd, Str, Jm10/Om10	1
15	49933	(000000–)	Fitting, Hyd, Tee, Jm08/Jm08/Om08, Br	1
16	69173	(000000–)	Fitting, Hyd, E90, Jm08/Om08, L	1
17	46482	(000000–)	Fitting, Hyd, Plug, Om06	1
18	56820	(000000–001037)	Fitting, Hyd, E90, Jm06/Om06	1
19	71727	(001038–)	Fitting, Hyd, E90, Jm06/Om06, L	1
20	395973	(001019–)	Fitting, Hyd, Str, Om04/Qm04	1
21	07797	(005000–)	Fitting, Hyd, E45, Jf08/Jm08	1
22	1072996	(005301–)	Valve, Cntrl, Hyd, Solenoid, 12vdc 08gpm (See Breakdowns)	1

Fig. 83 – GM Electrical Schematic (00000–001499)

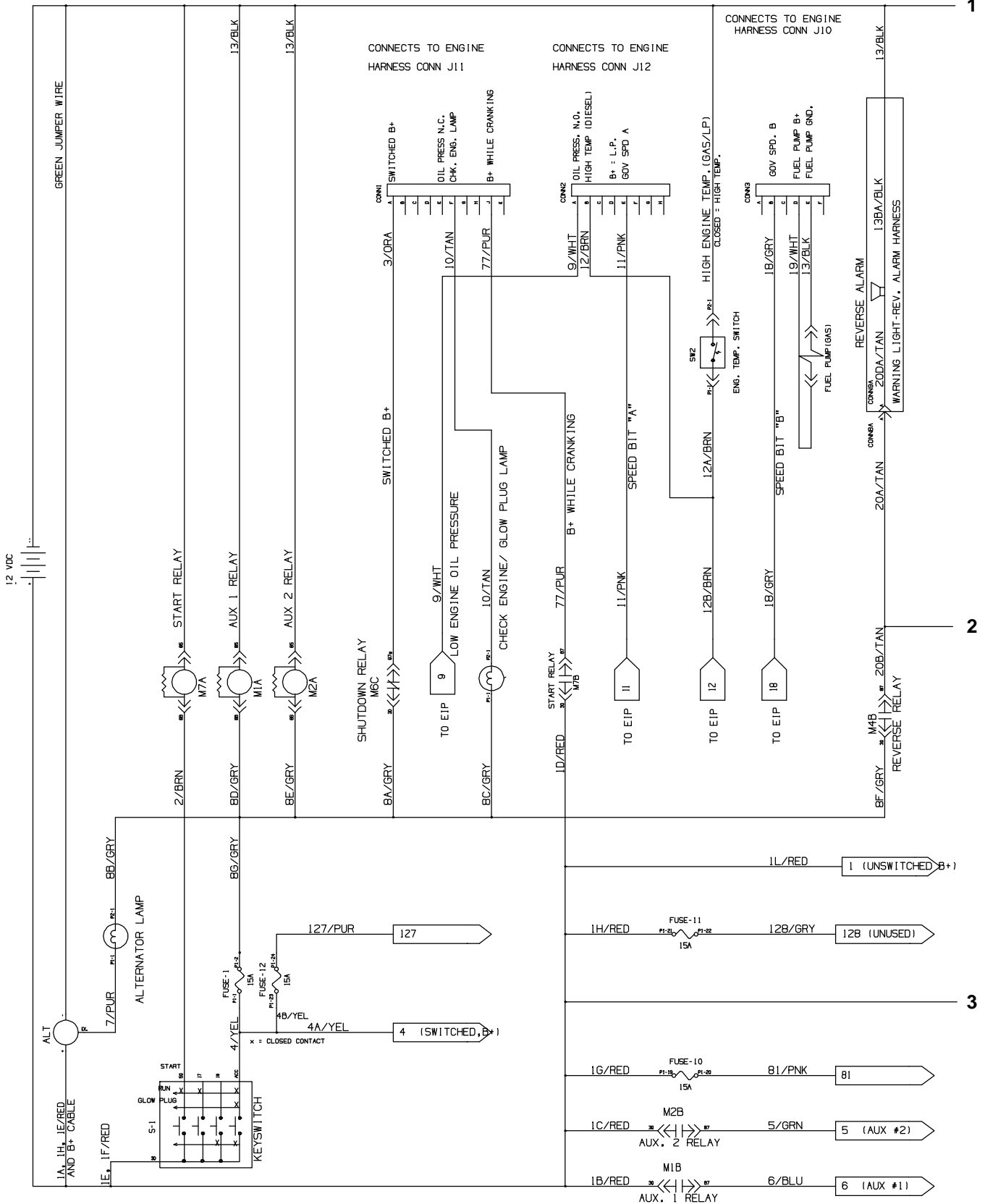
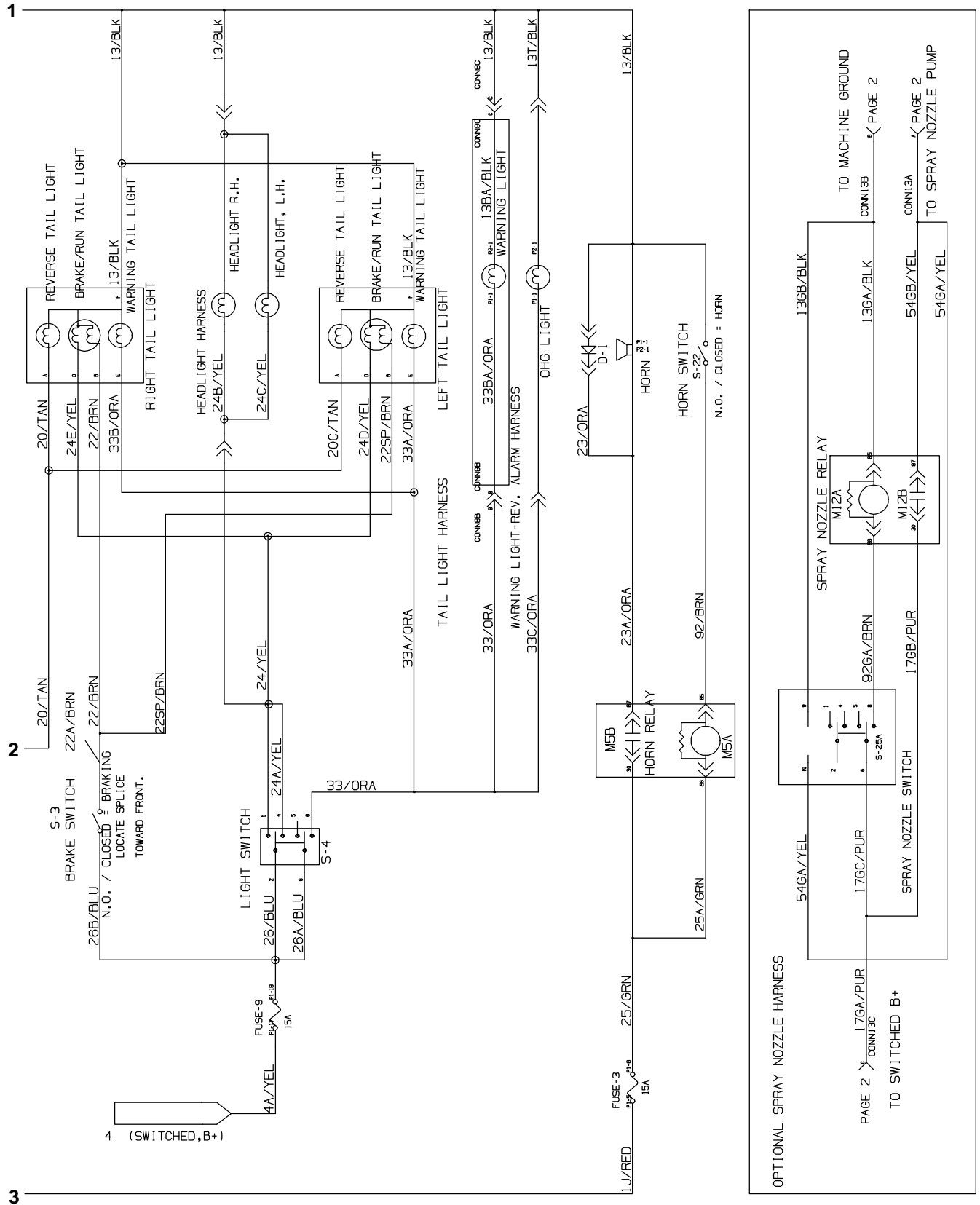
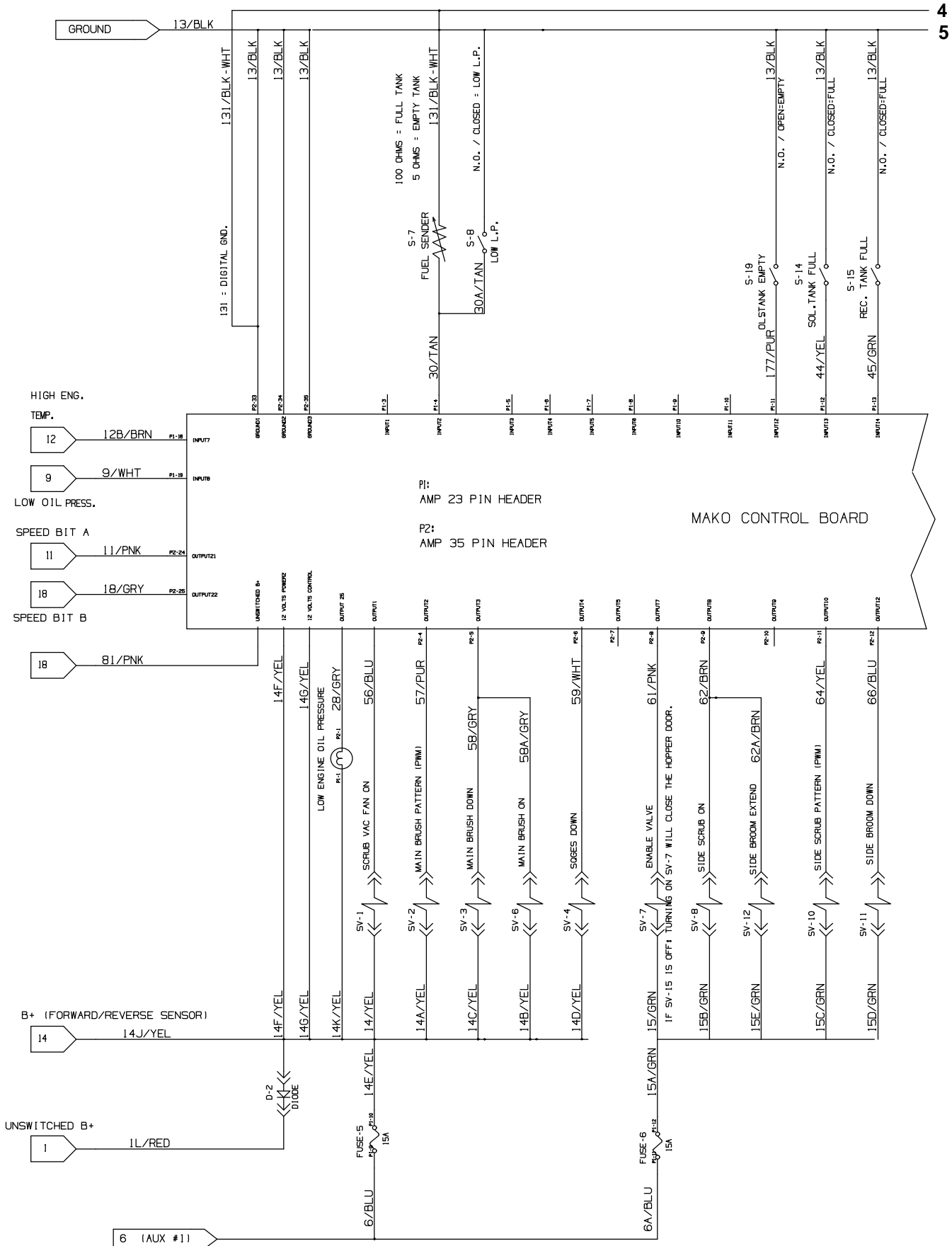


Fig. 83 - GM Electrical Schematic (00000-001499)



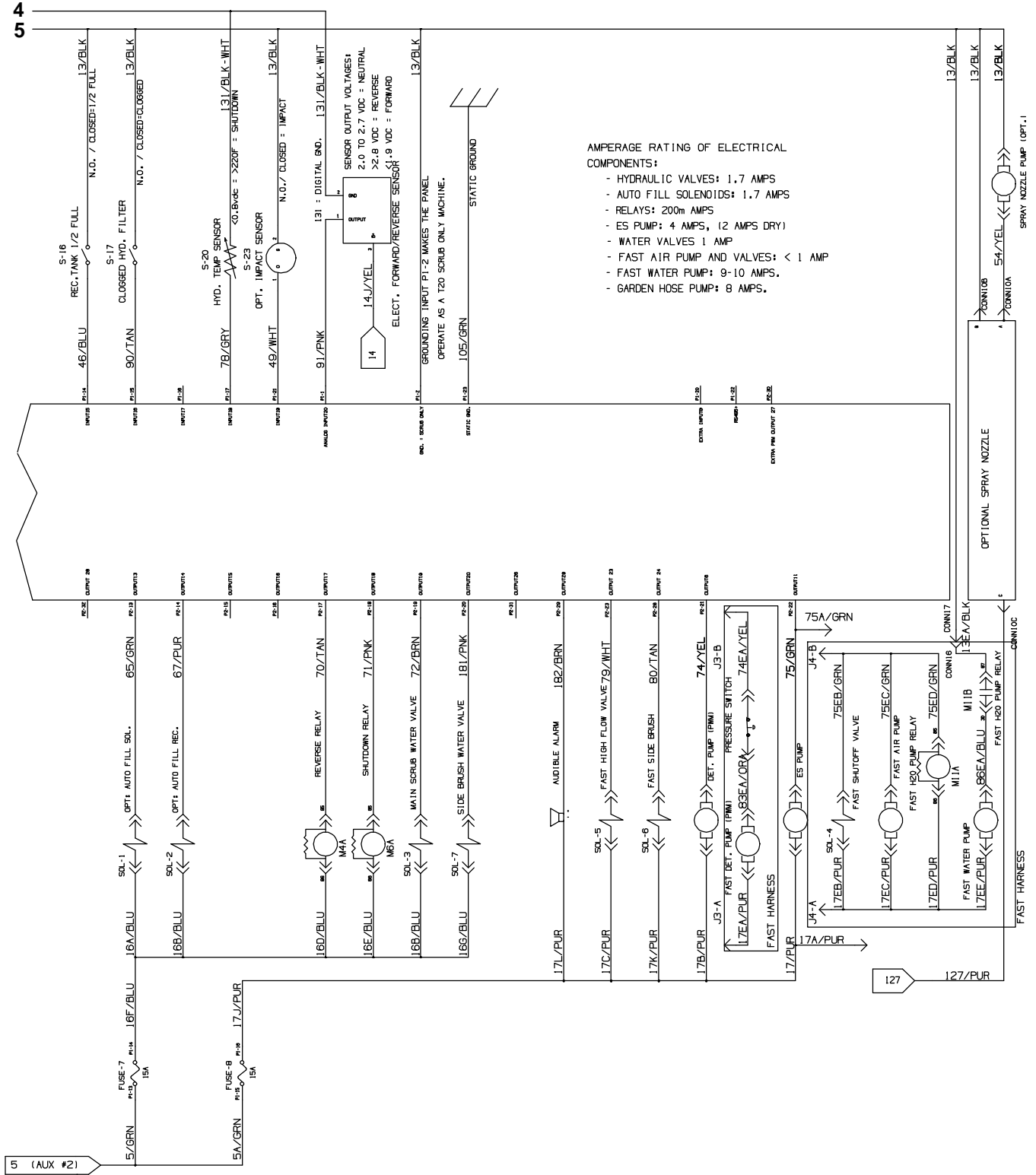
354405 - 1029601

Fig. 83 – GM Electrical Schematic (00000–001499)



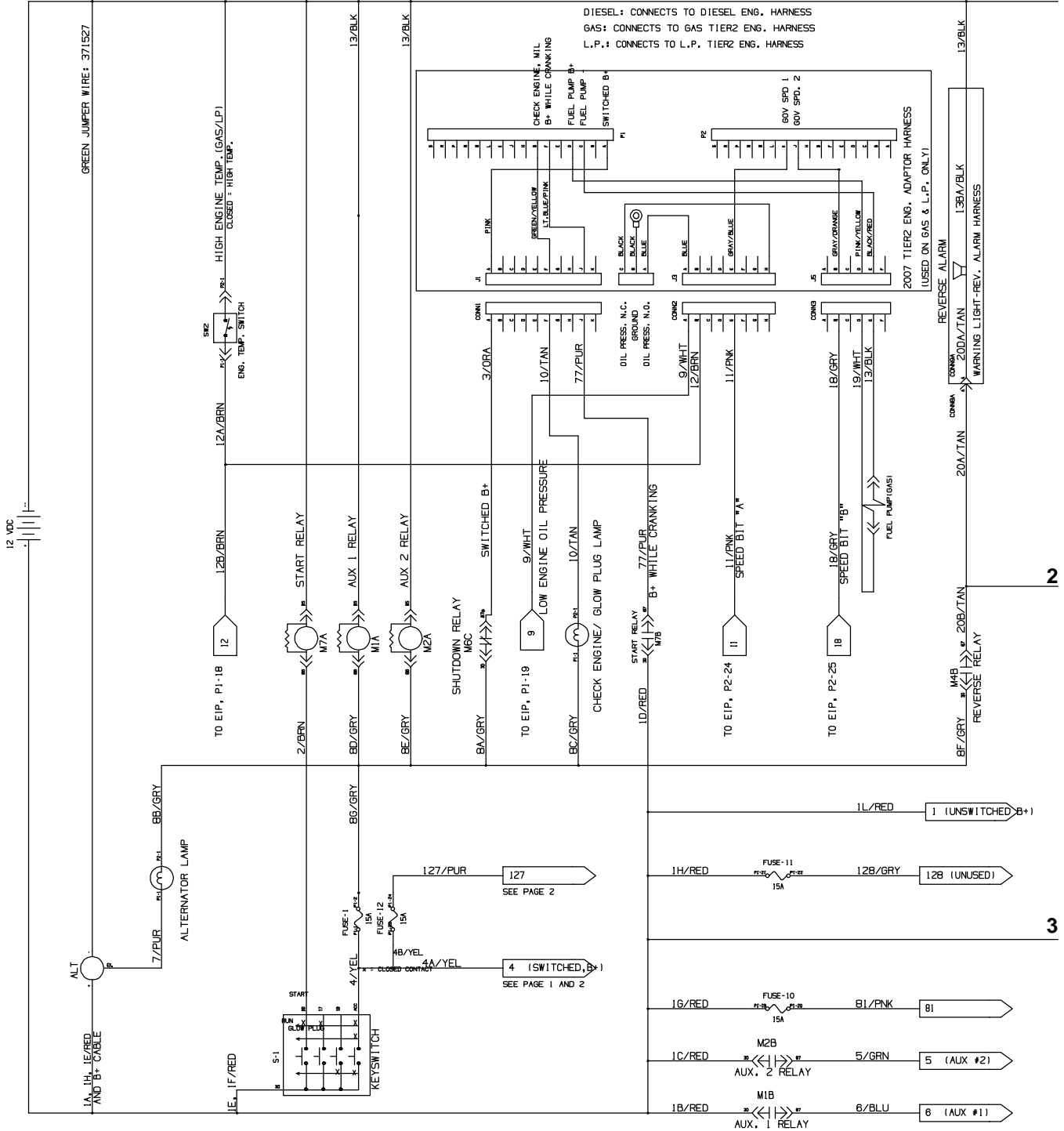
4
5

Fig. 83 -GM Electrical Schematic (00000-001499)



354405 - 1029601

Fig. 84 – GM Electrical Schematic (001500–001742)



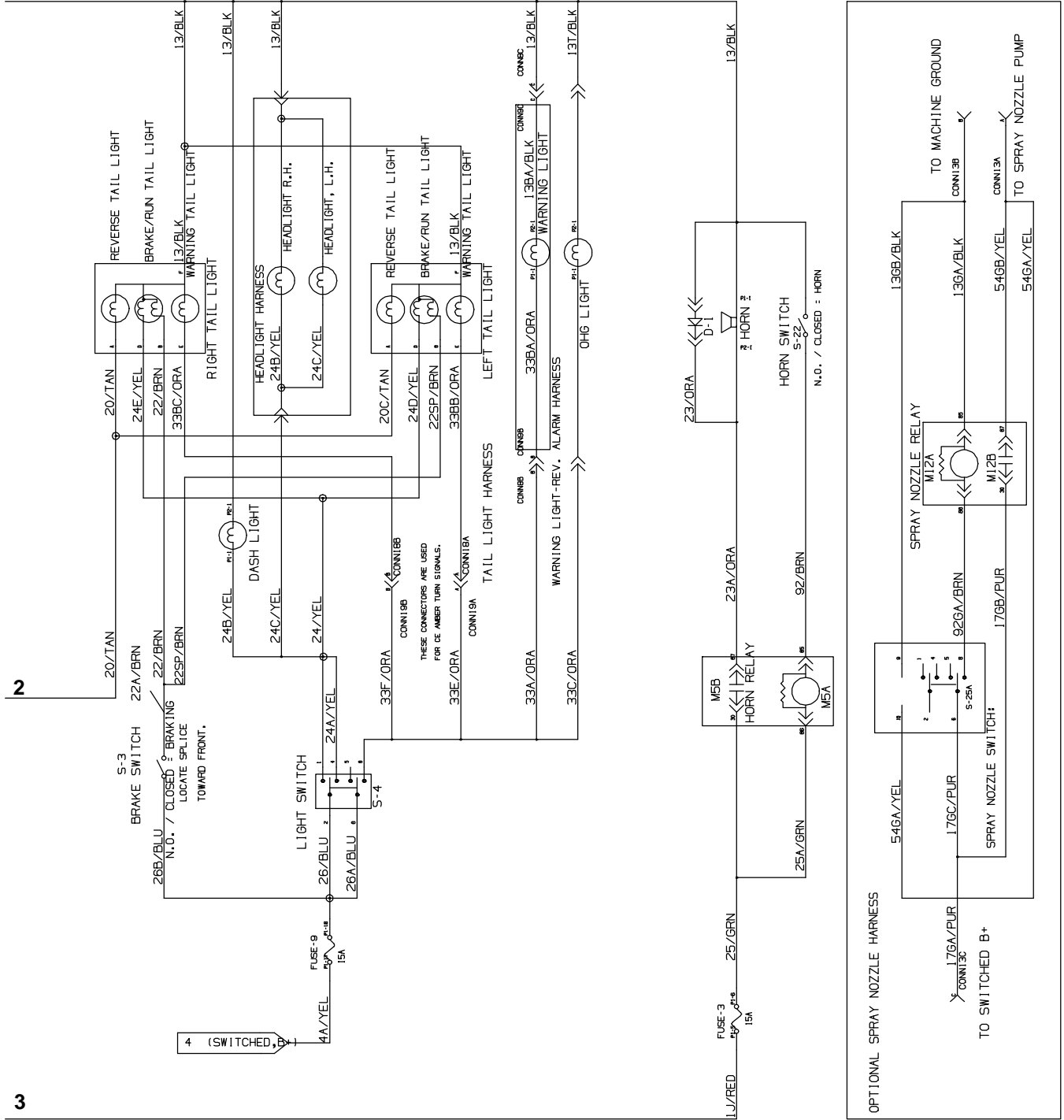
2

3

354405 – 1029601

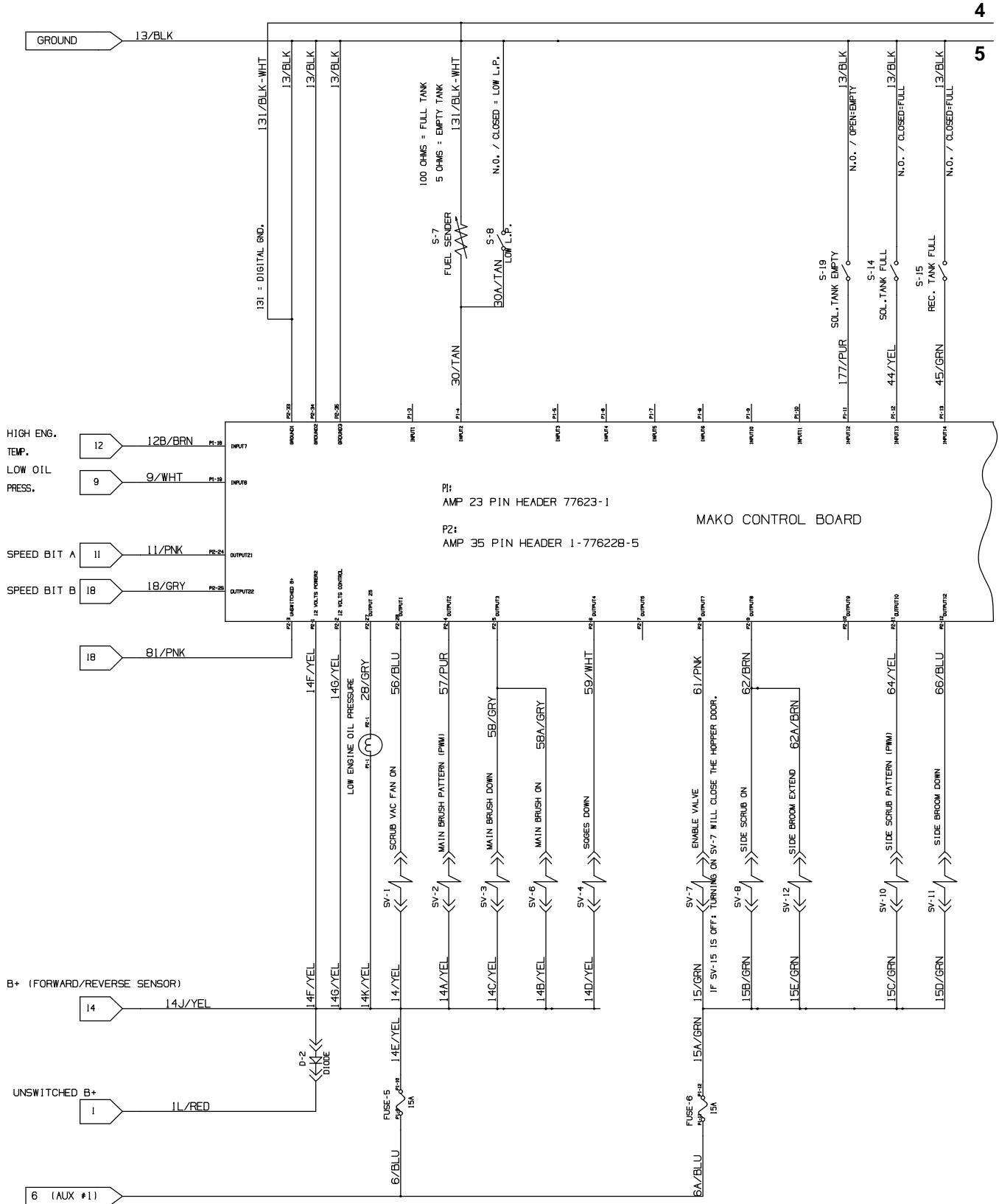
Fig. 84 – GM Electrical Schematic (001500-001742)

1



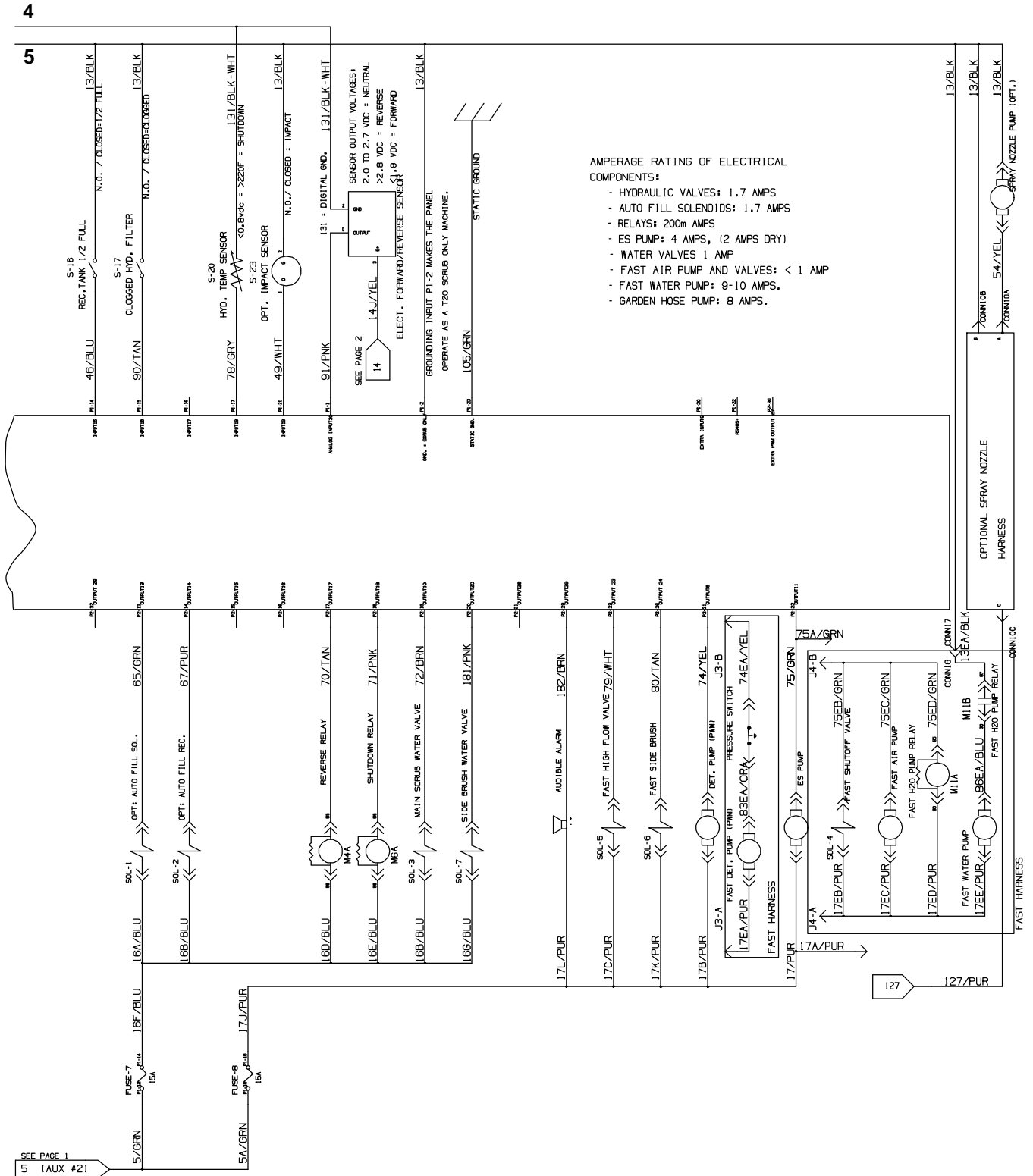
354405 - 1029601

Fig. 84 – GM Electrical Schematic (001500–001742)



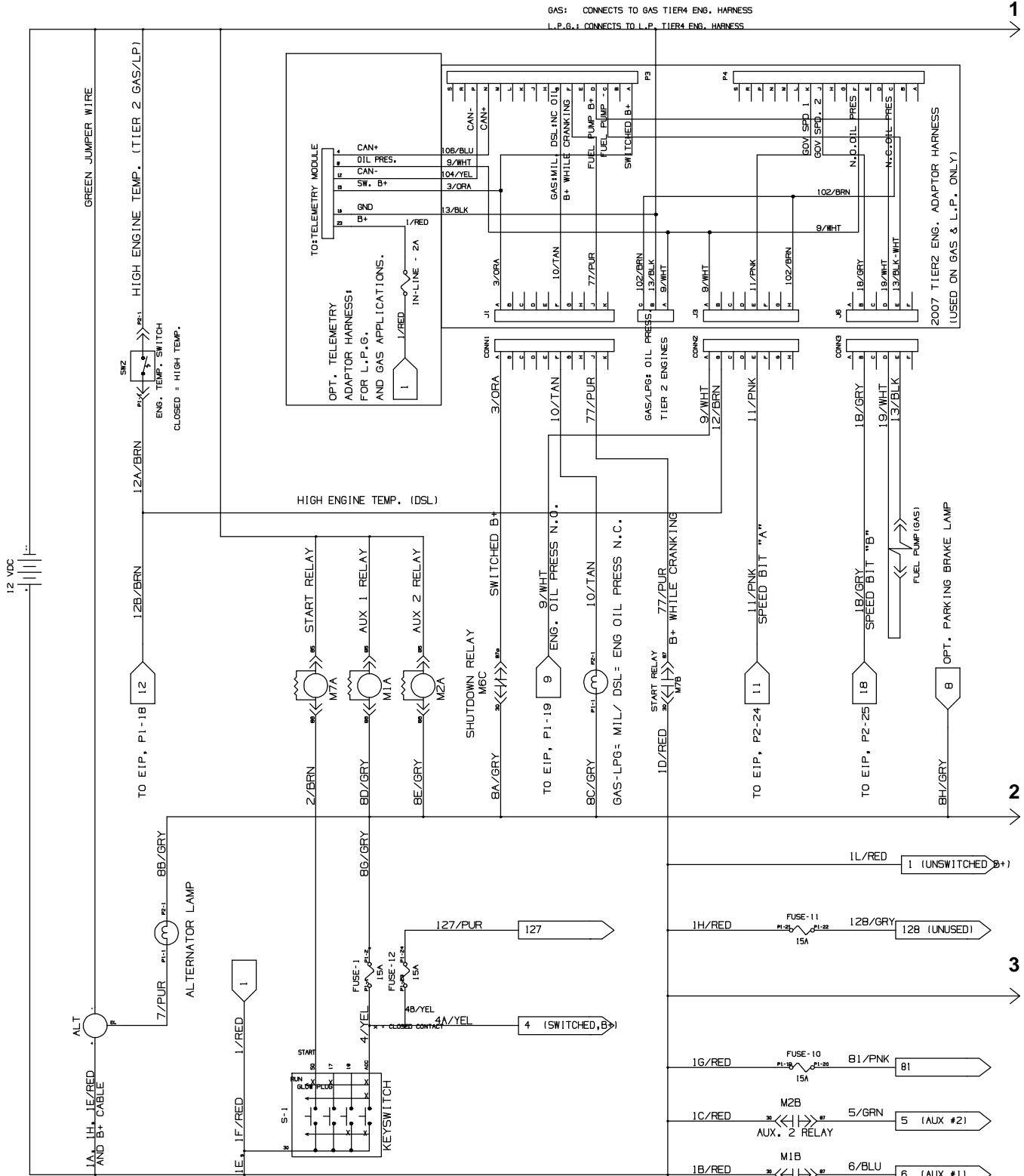
354405 – 1029601

Fig. 84 – GM Electrical Schematic (001500–001742)



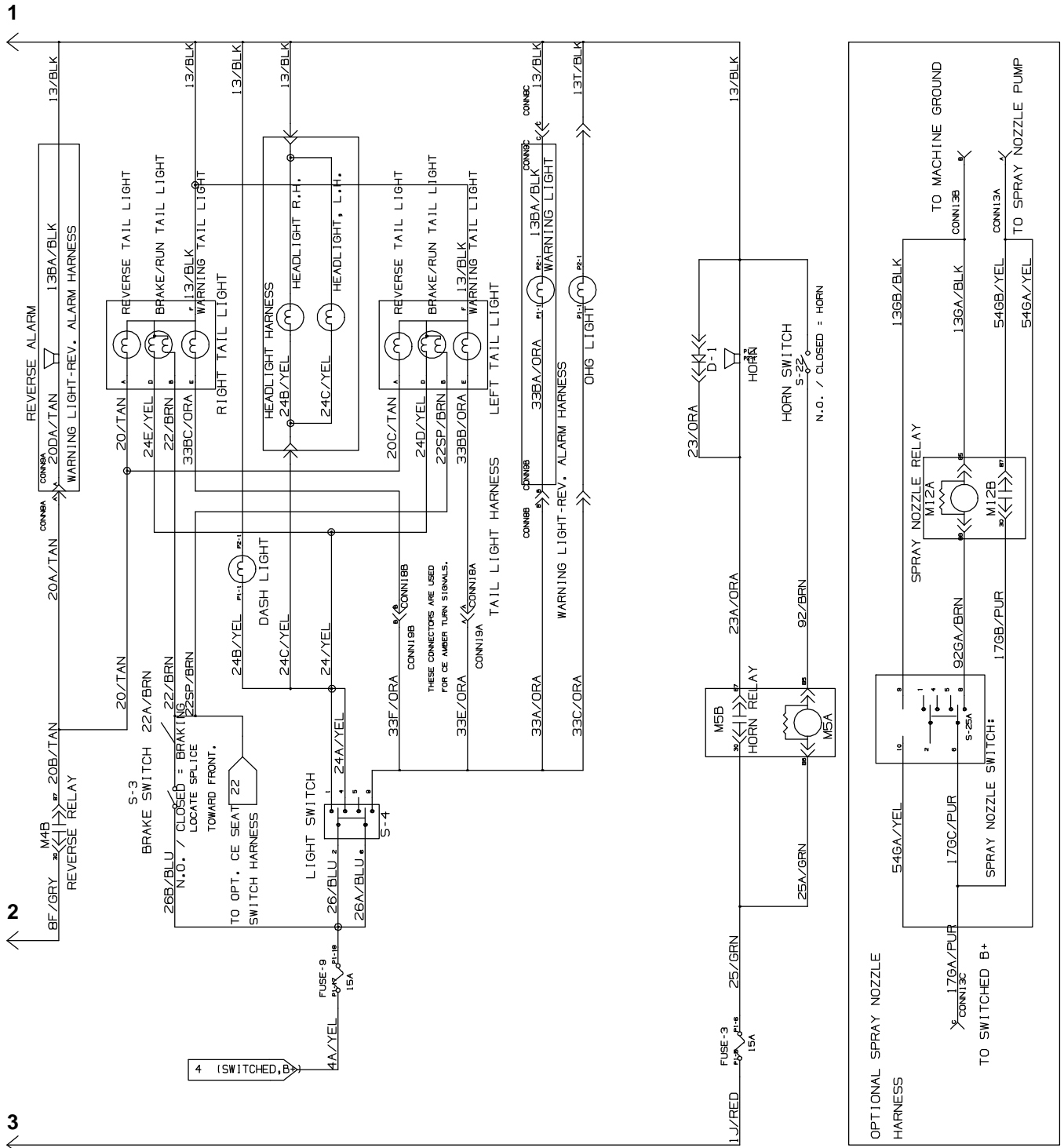
354405 – 1029601

Fig. 85 – GM Electrical Schematic (001743-004999)



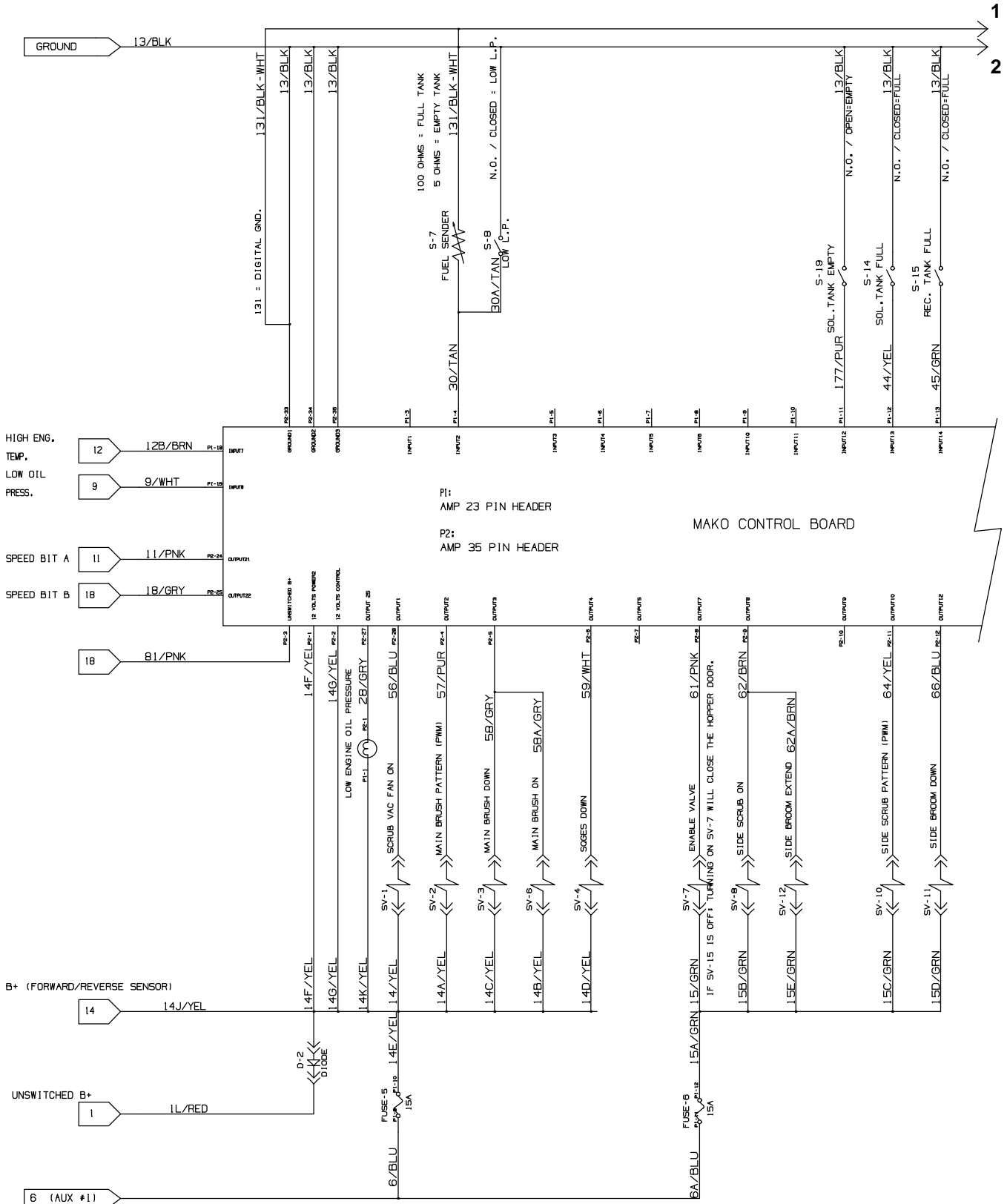
354405 - 1029601

Fig. 85 - GM Electrical Schematic (001743-004999)



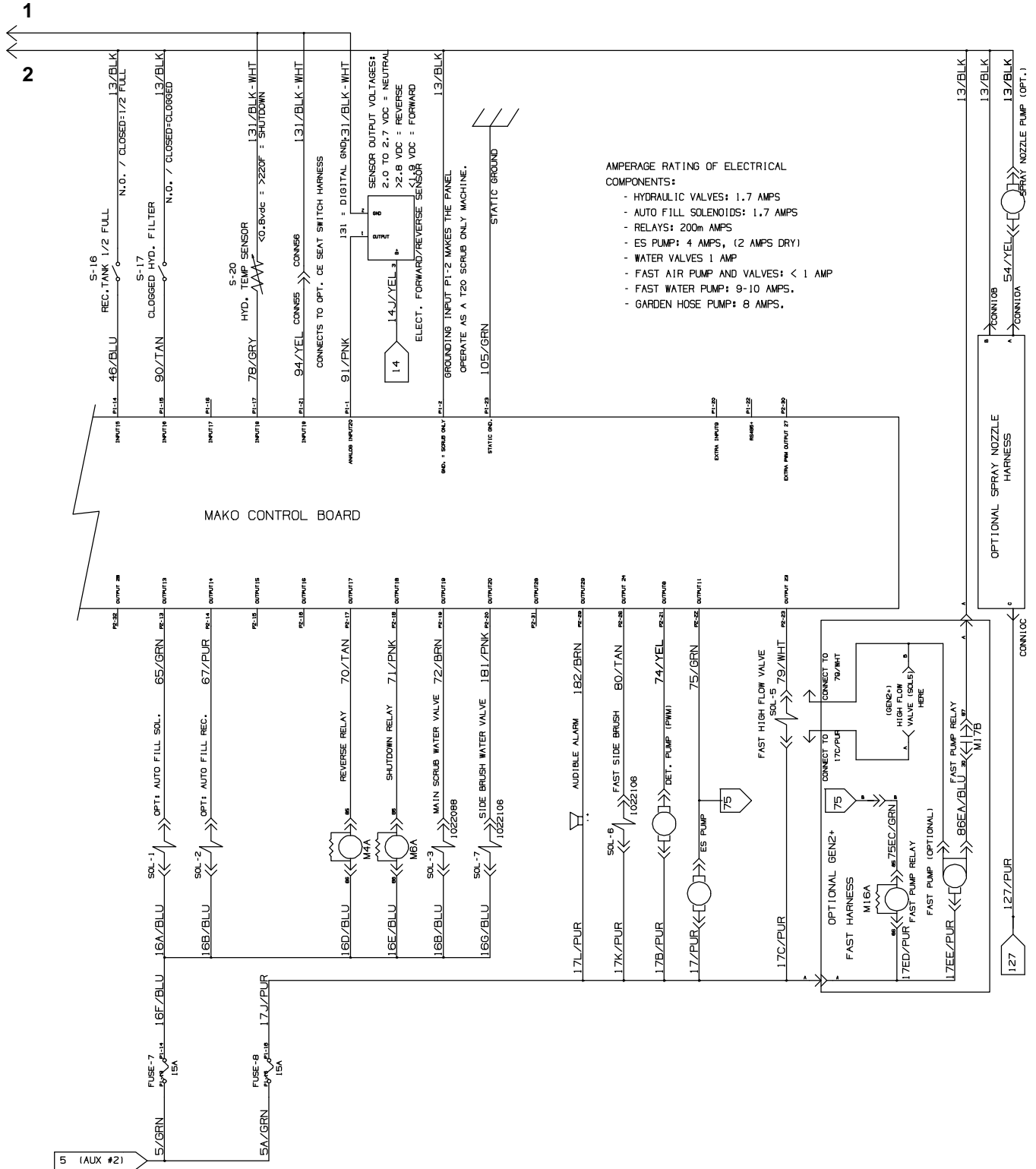
354405 - 1029601

Fig. 85 – GM Electrical Schematic (001743-004999)



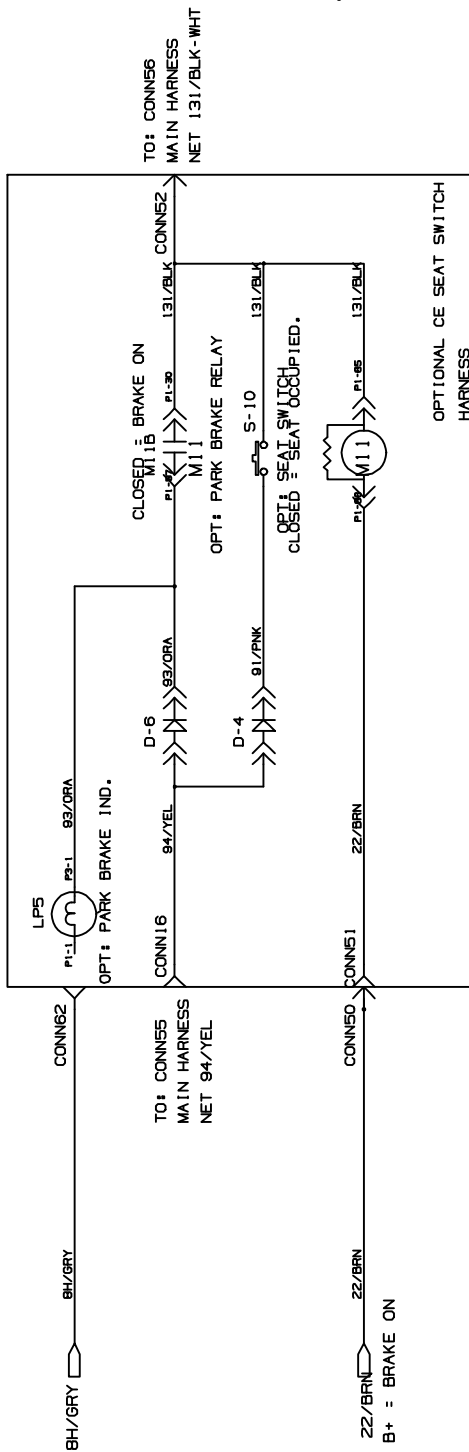
354405 – 1029601

Fig. 85 – GM Electrical Schematic (001743–004999)



354405 – 1029601

Fig. 85 – GM Electrical Schematic (001743–004999)



OPTIONAL CE SEAT SWITCH SHUTDOWN CIRCUIT.

354405 – 1029601

Fig. 86 – GM Electrical Schematic, Gasoline/LPG Engine Engine Harness (000000-001499)

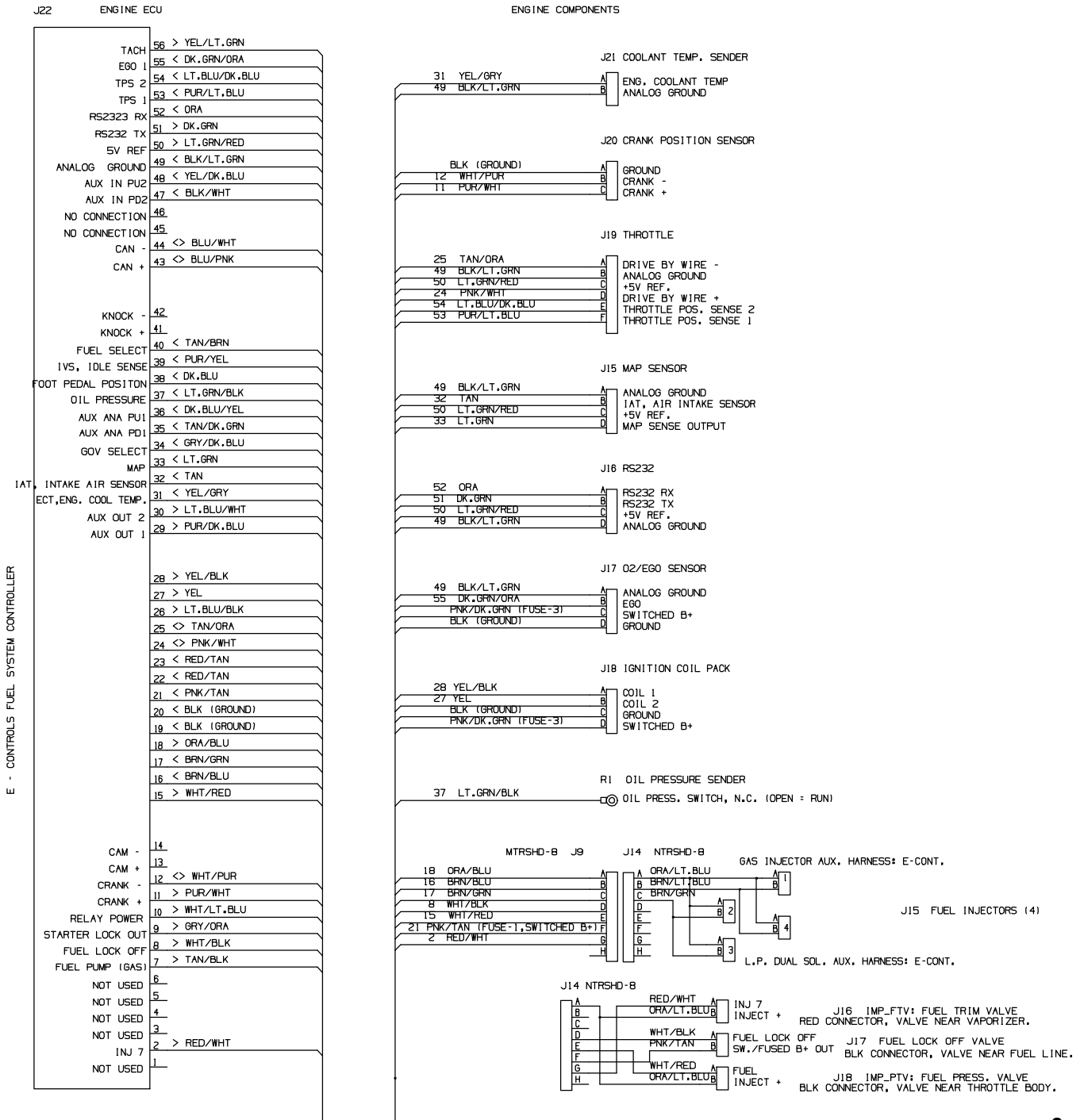
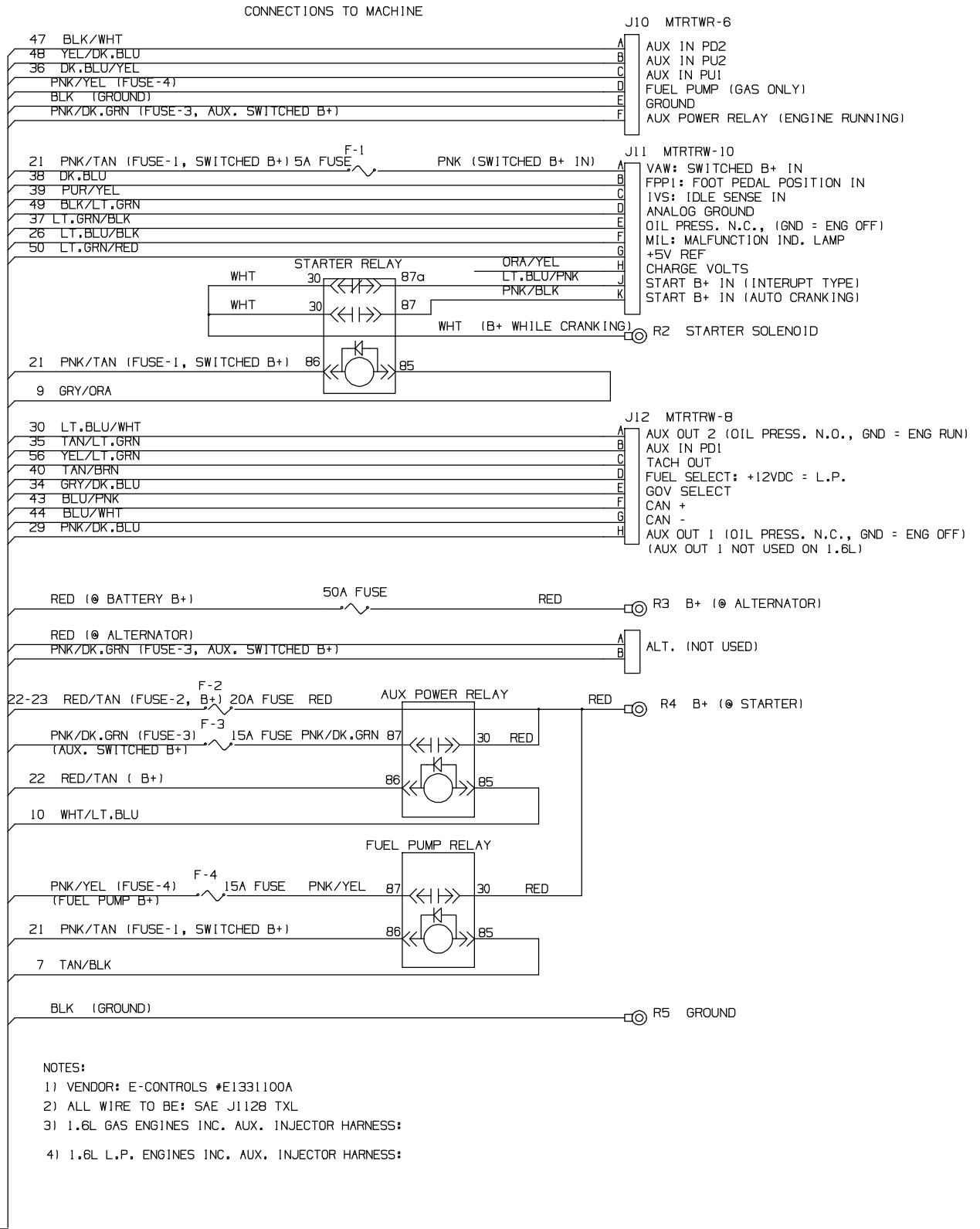


Fig. 86 – GM Electrical Schematic, Gasoline/LPG Engine Harness (000000–001499)

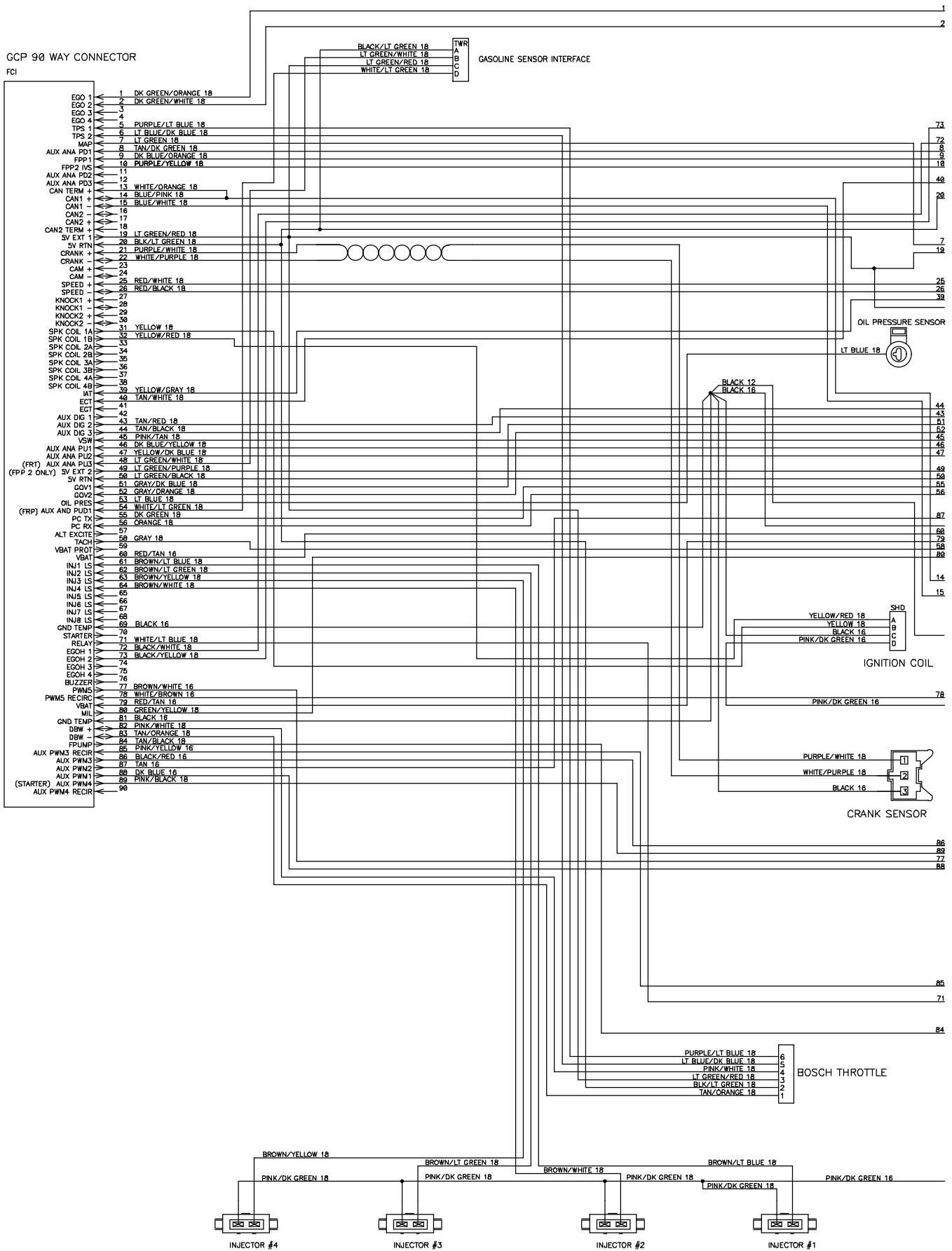


8

1029601

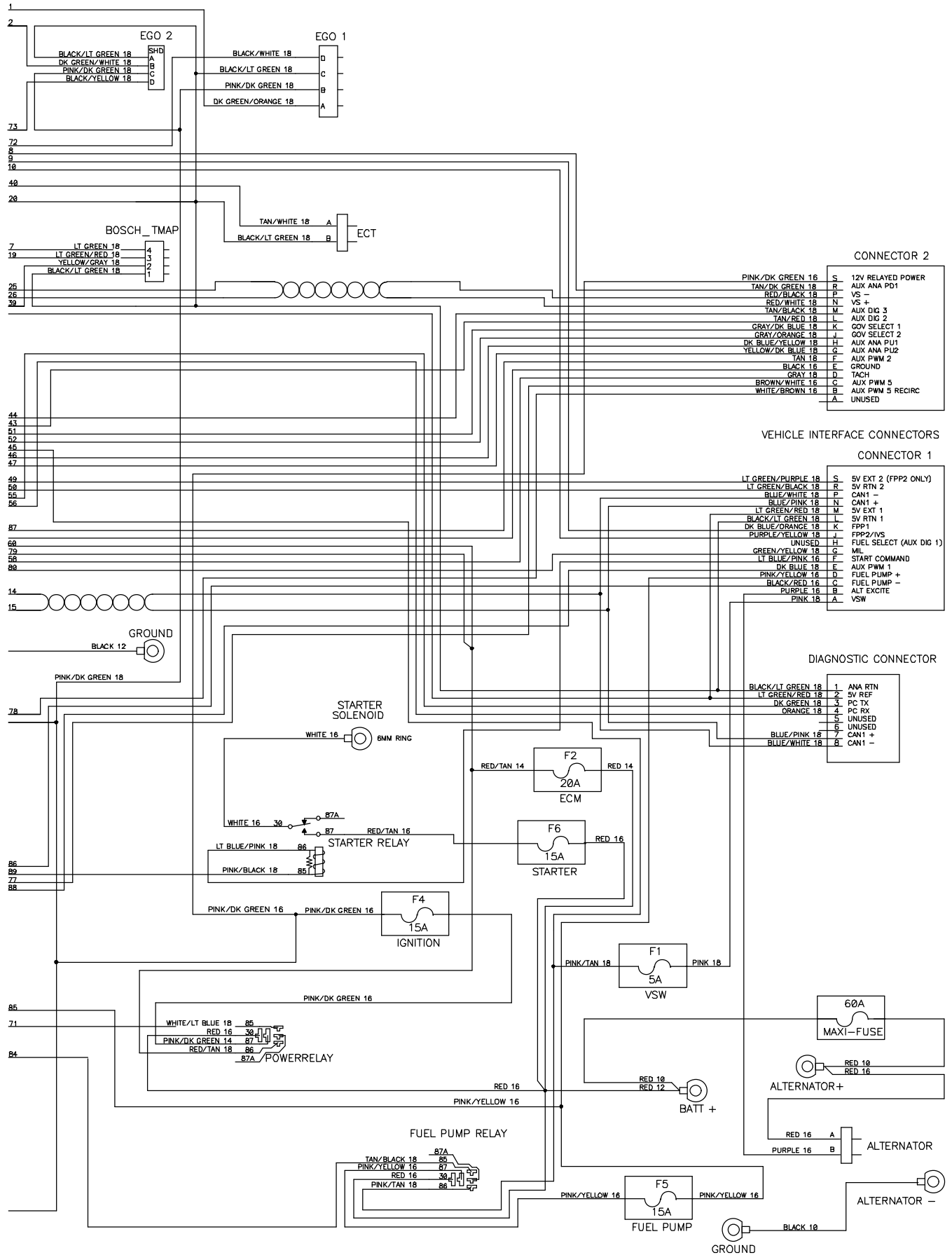
STANDARD PARTS

Fig. 87 – GM Electrical Schematic, Gas Engine Harness (001500–002140)



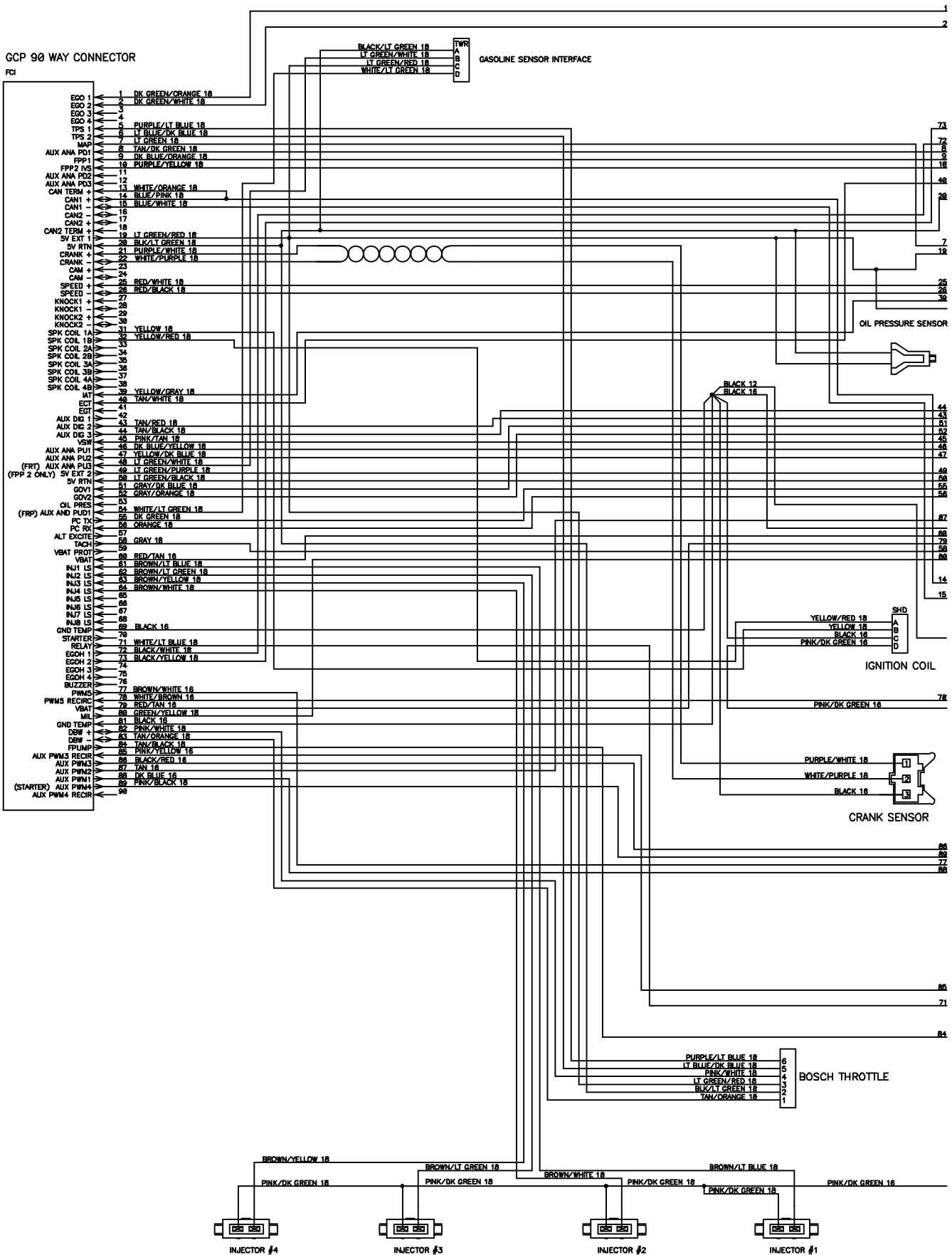
384997

Fig. 87- GM Electrical Schematic, Gas Engine Harness (001500-002140)



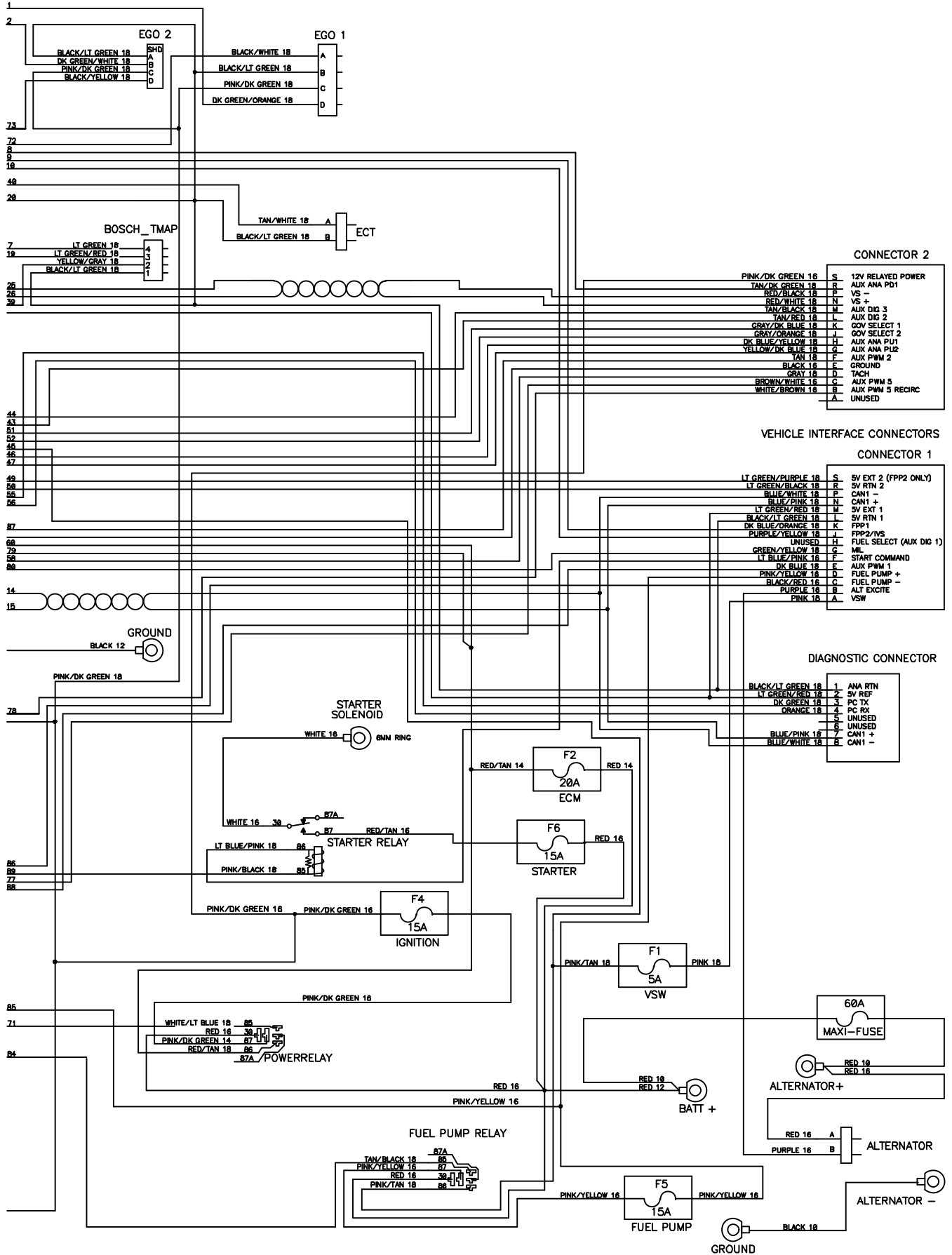
STANDARD PARTS

Fig. 88 – GM Electrical Schematic, Gas Engine Harness (002141–004999)



384997 – 354495

Fig. 88 – GM Electrical Schematic, Gas Engine Harness (002141-004999)



STANDARD PARTS

Fig. 89 – GM Electrical Schematic, LPG Engine Harness (001500–002140)

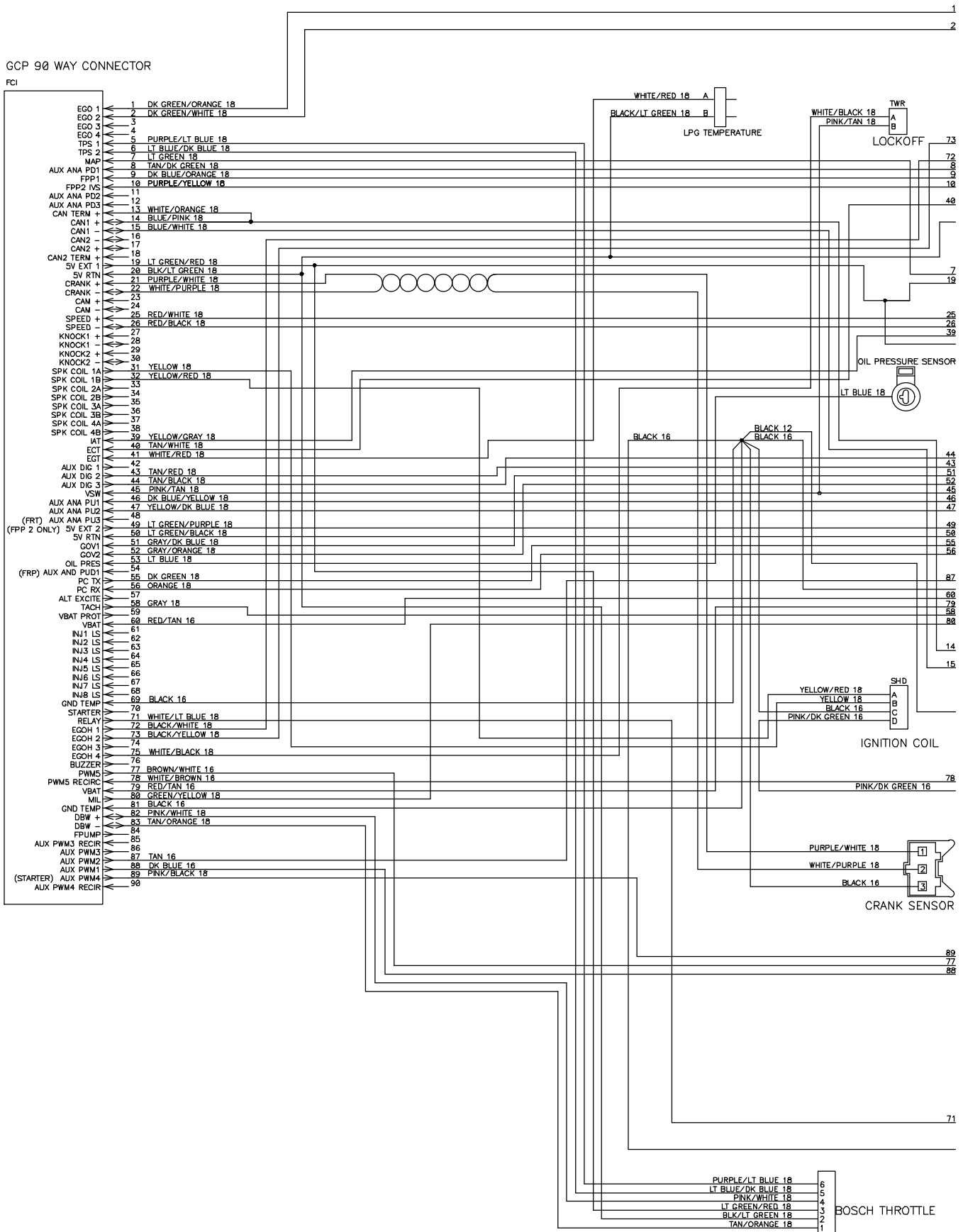
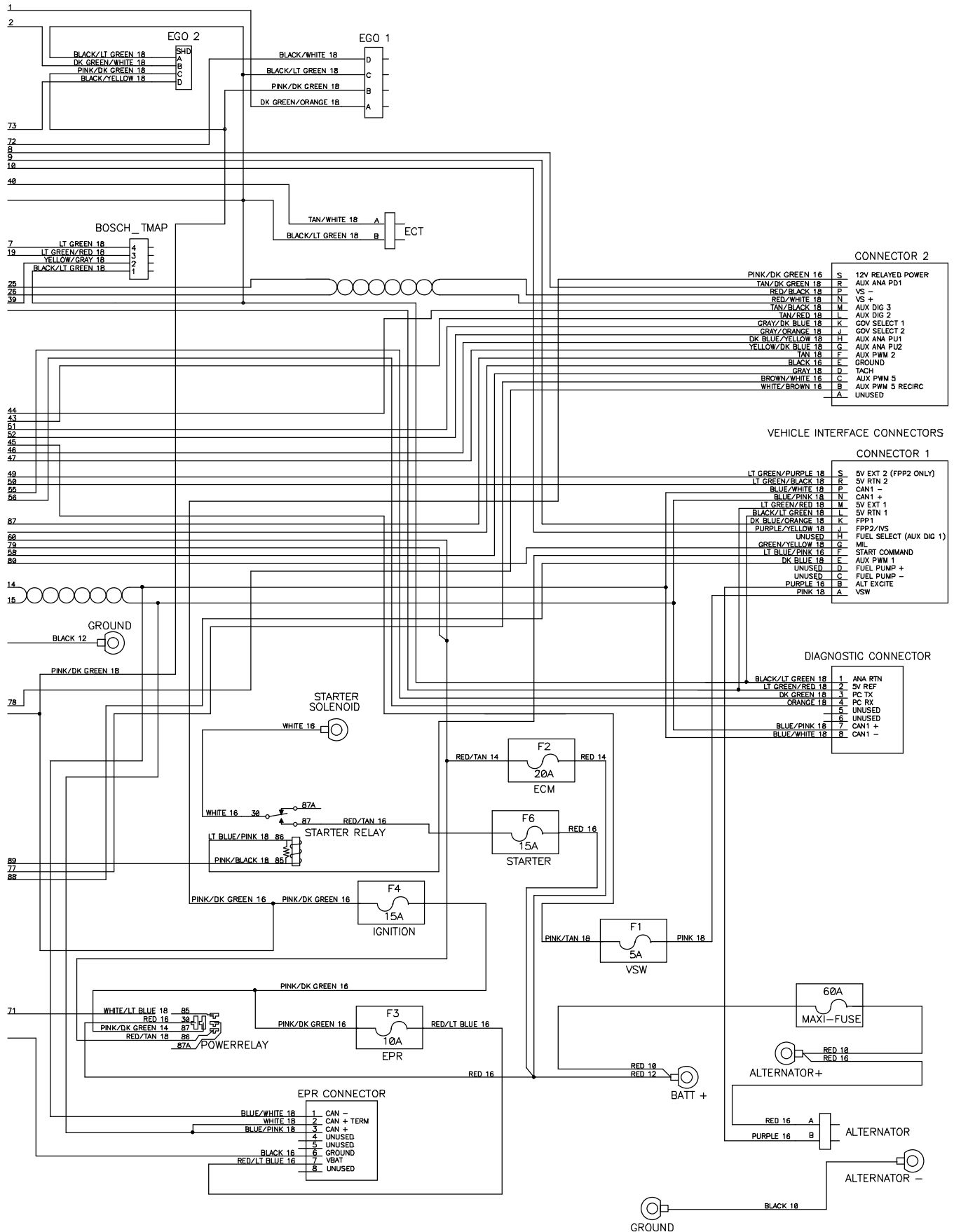
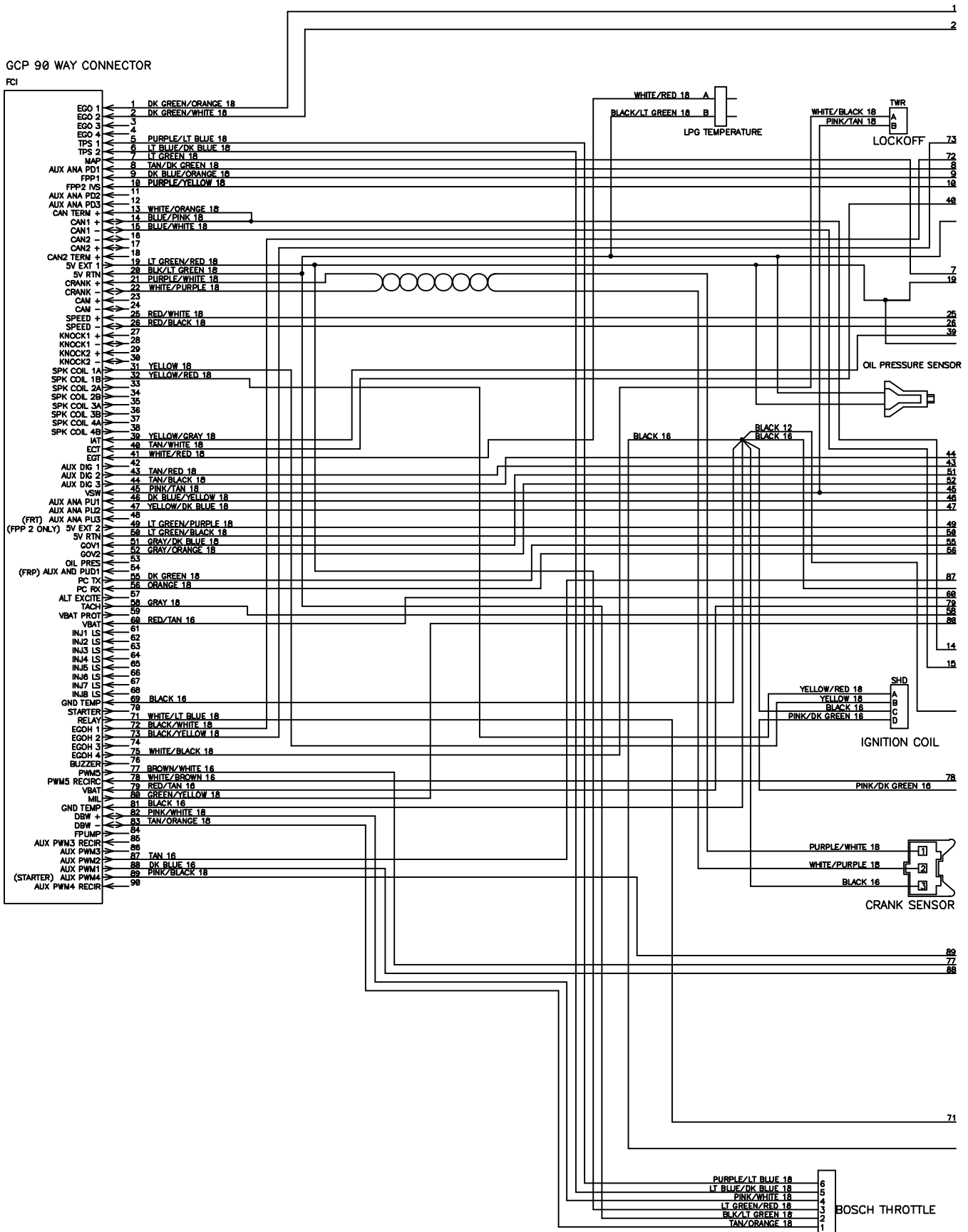


Fig. 89 – GM Electrical Schematic, LPG Engine Harness (001500–002140)



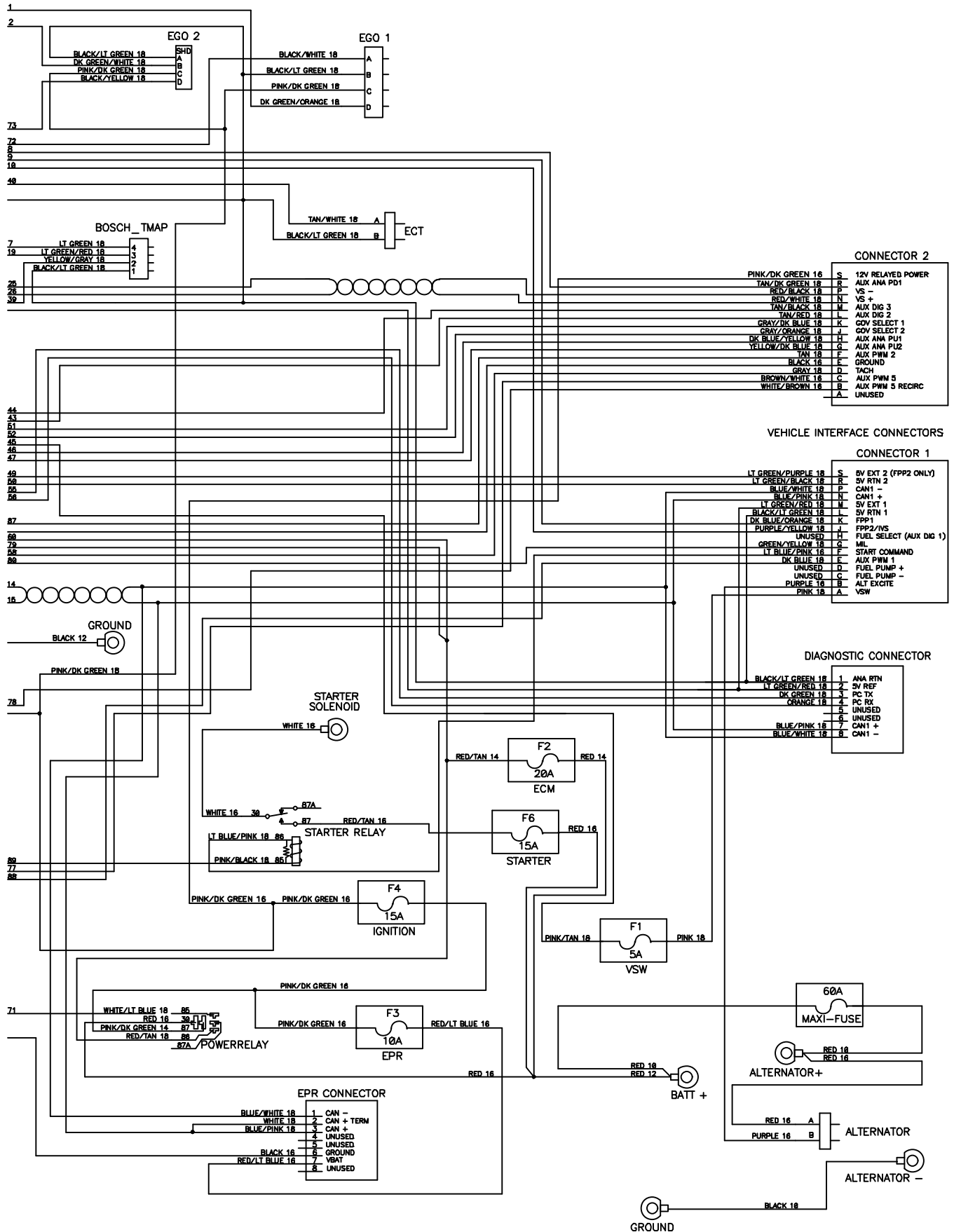
STANDARD PARTS

Fig. 90 – GM Electrical Schematic, LPG Engine Harness (002141-004999)



384990 - 354497

Fig. 90 – GM Electrical Schematic, LPG Engine Harness (002141–004999)

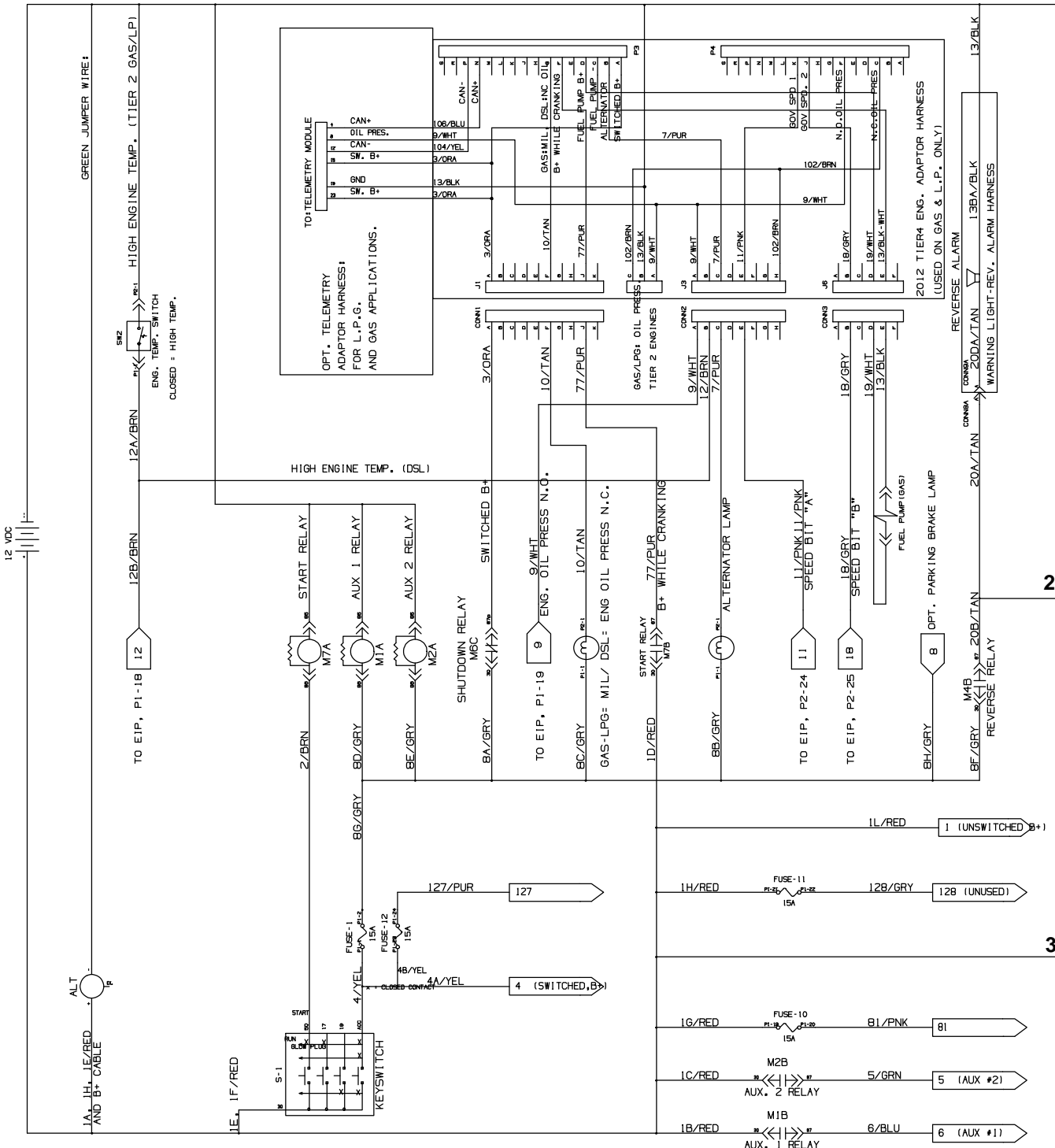


384990 – 354498

Fig. 91 – Mitsubishi Electrical Schematic (005000–)

GAS: CONNECTS TO GAS TIER4 ENG. HARNESS
 L.P.G.: CONNECTS TO L.P. TIER4 ENG. HARNESS
 DSL: CONNECTS TO DSL ENG. HARNESS

1

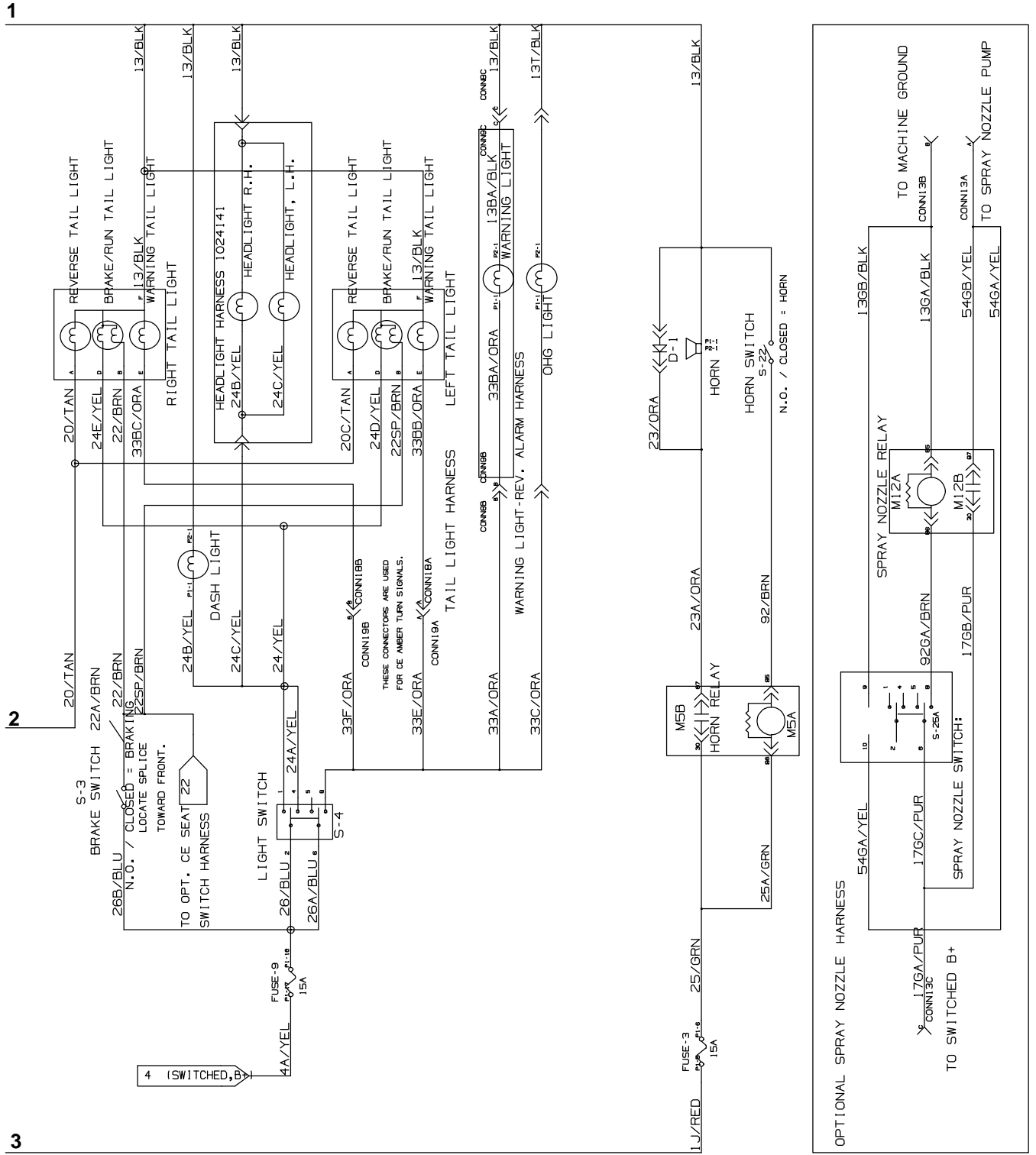


2

3

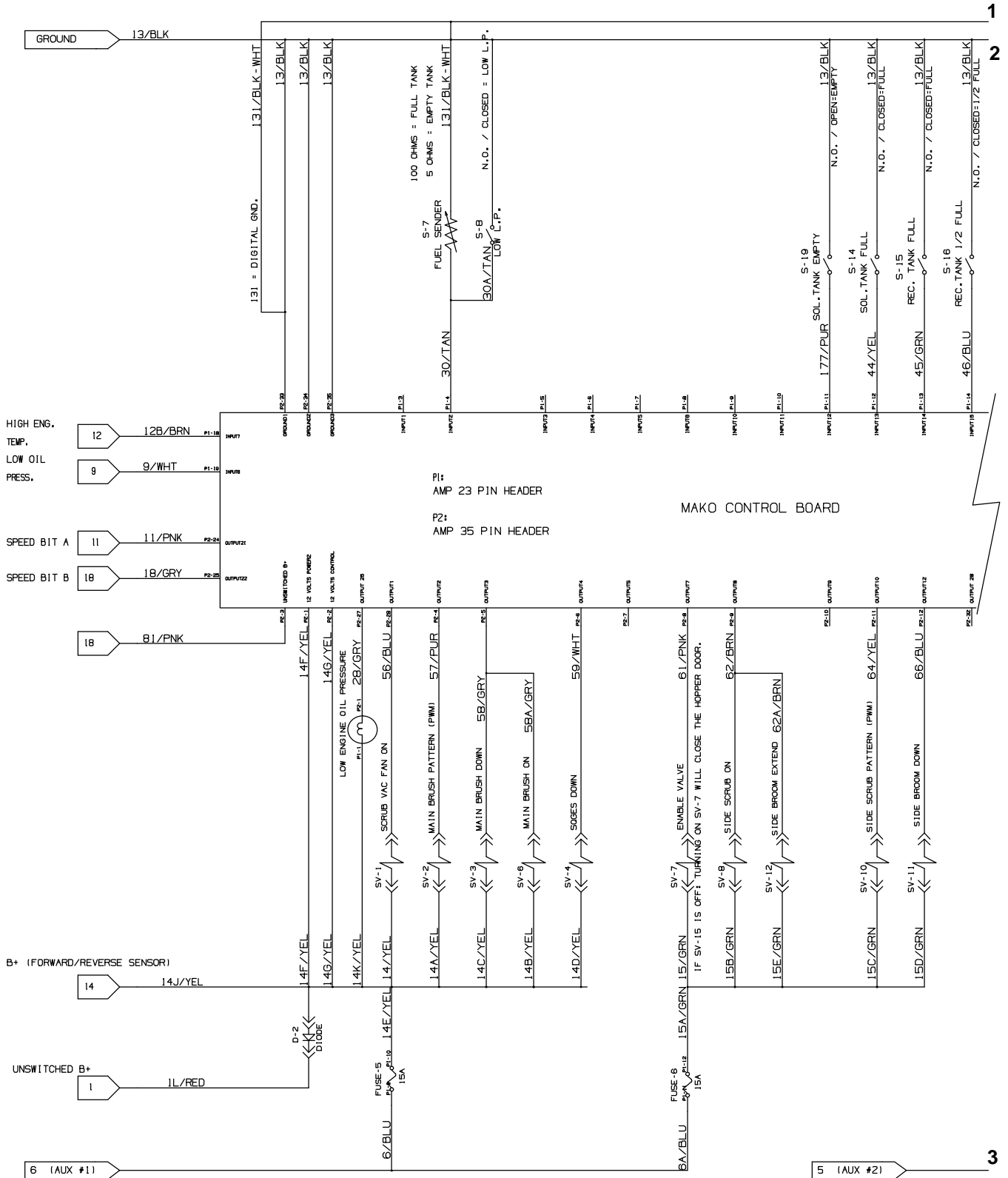
1029601-356307

Fig. 91 – Mitsubishi Electrical Schematic (005000-)



1029601-356307

Fig. 91 – Mitsubishi Electrical Schematic (005000–)



1029601-356307

Fig. 91 - Mitsubishi Electrical Schematic (005000-)

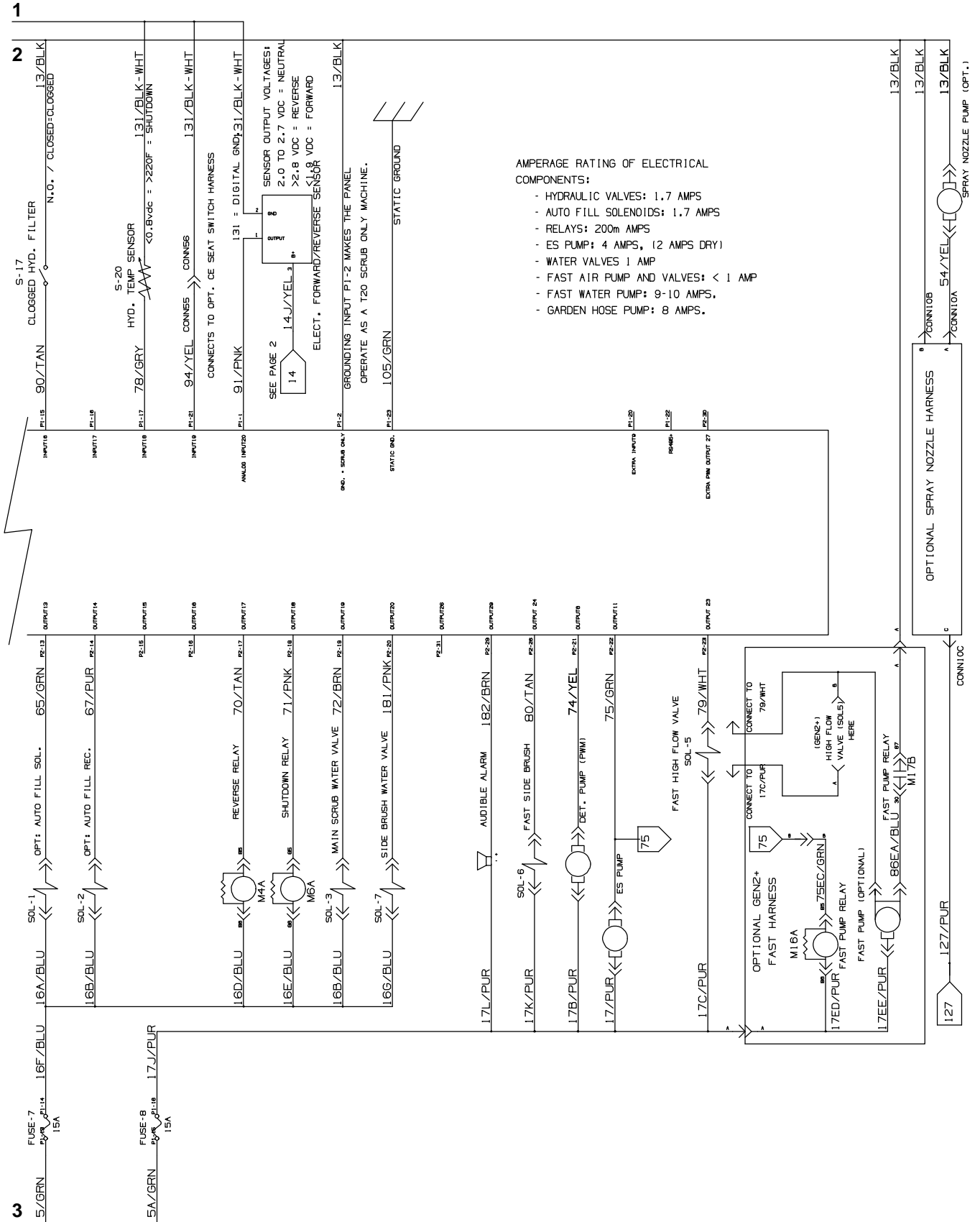
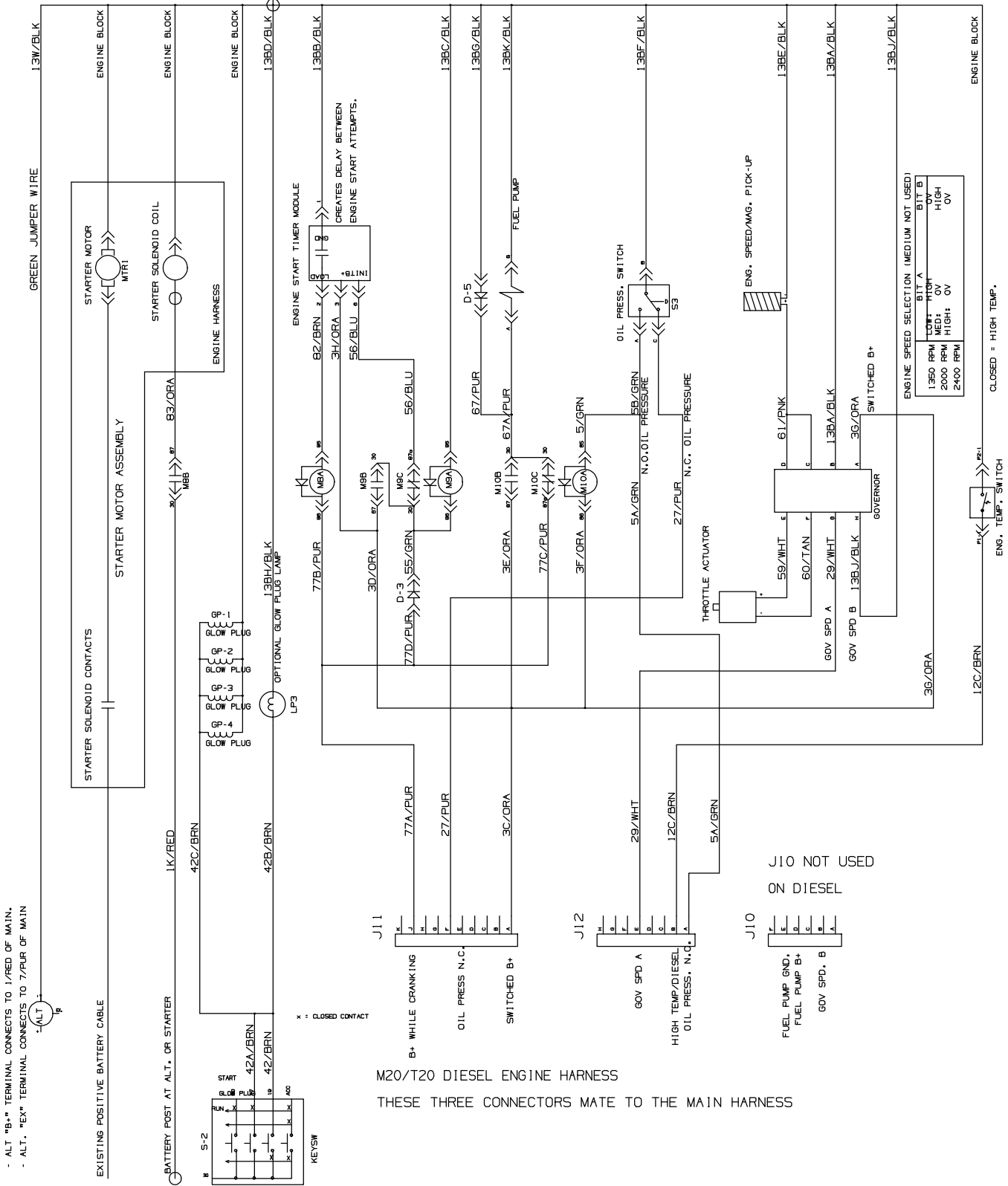
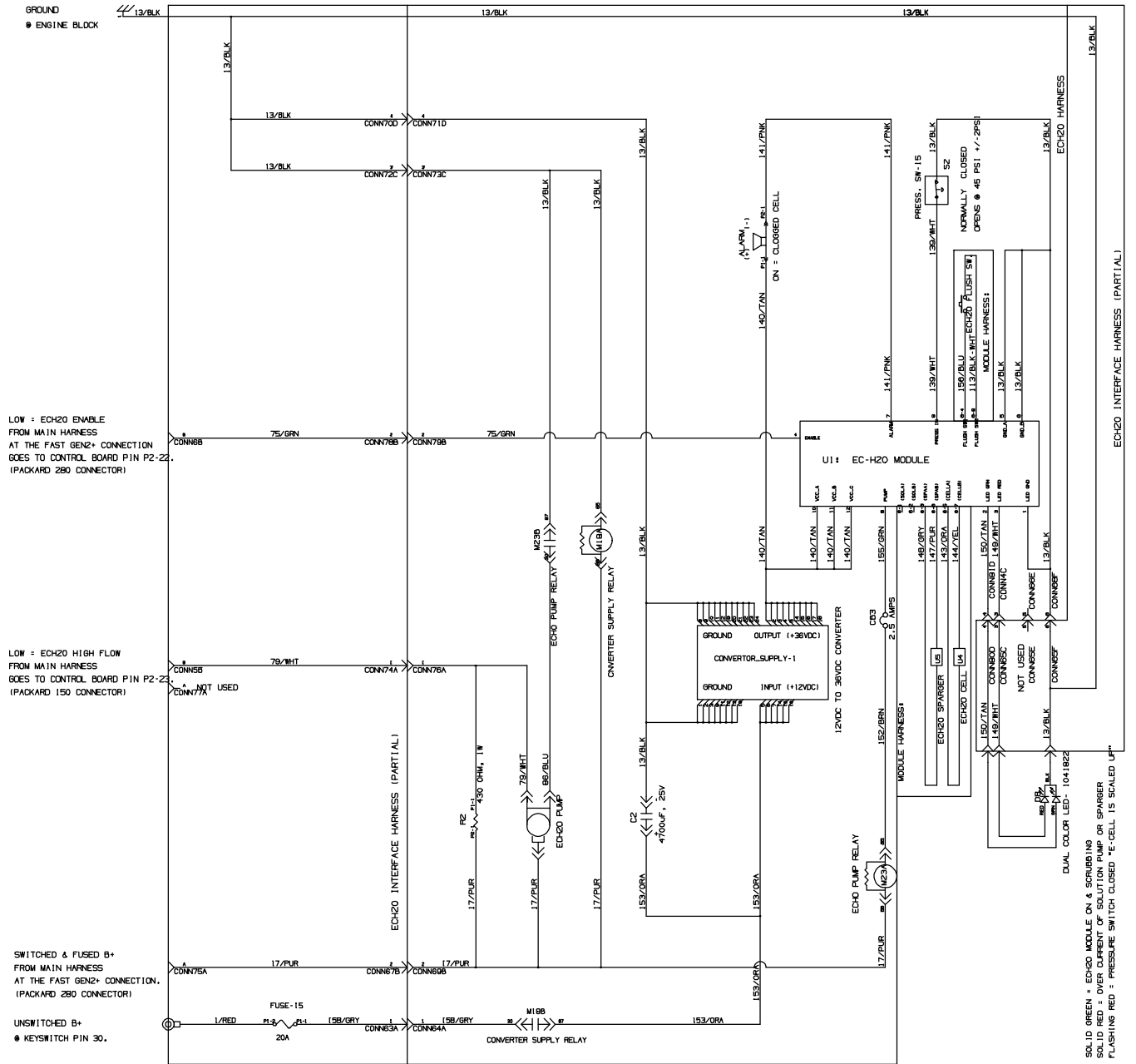


Fig. 91 - Mitsubishi Electrical Schematic (005000-)



1029601-356307

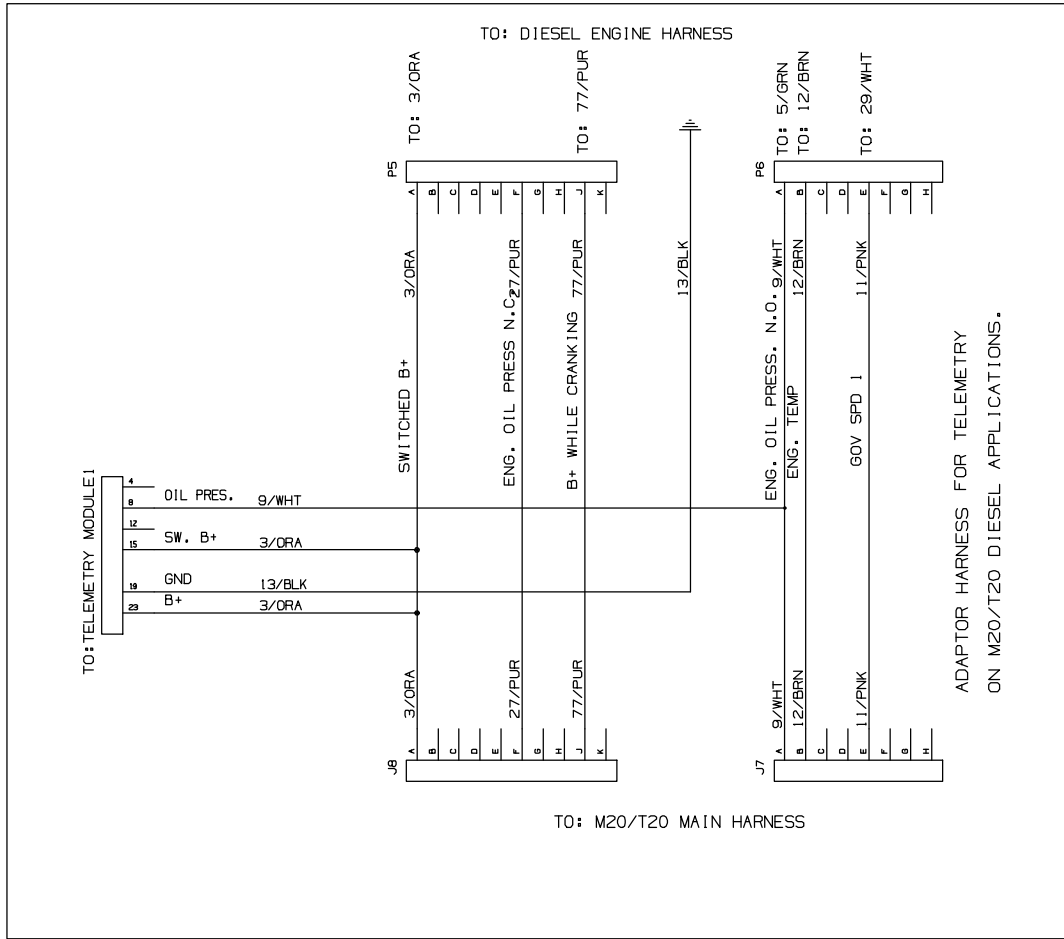
Fig. 91 – Mitsubishi Electrical Schematic (005000–)



EC-H2O OPTION

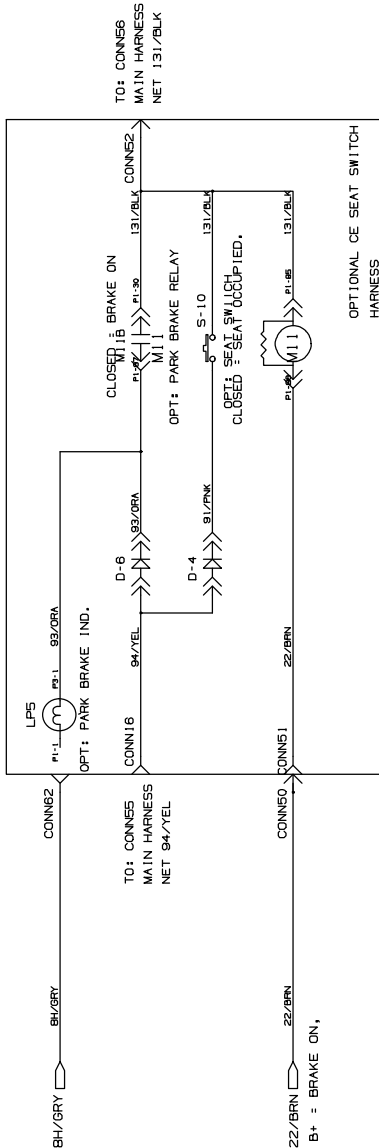
1029601-356307

Fig. 91 – Mitsubishi Electrical Schematic (005000-)



1029601-356307

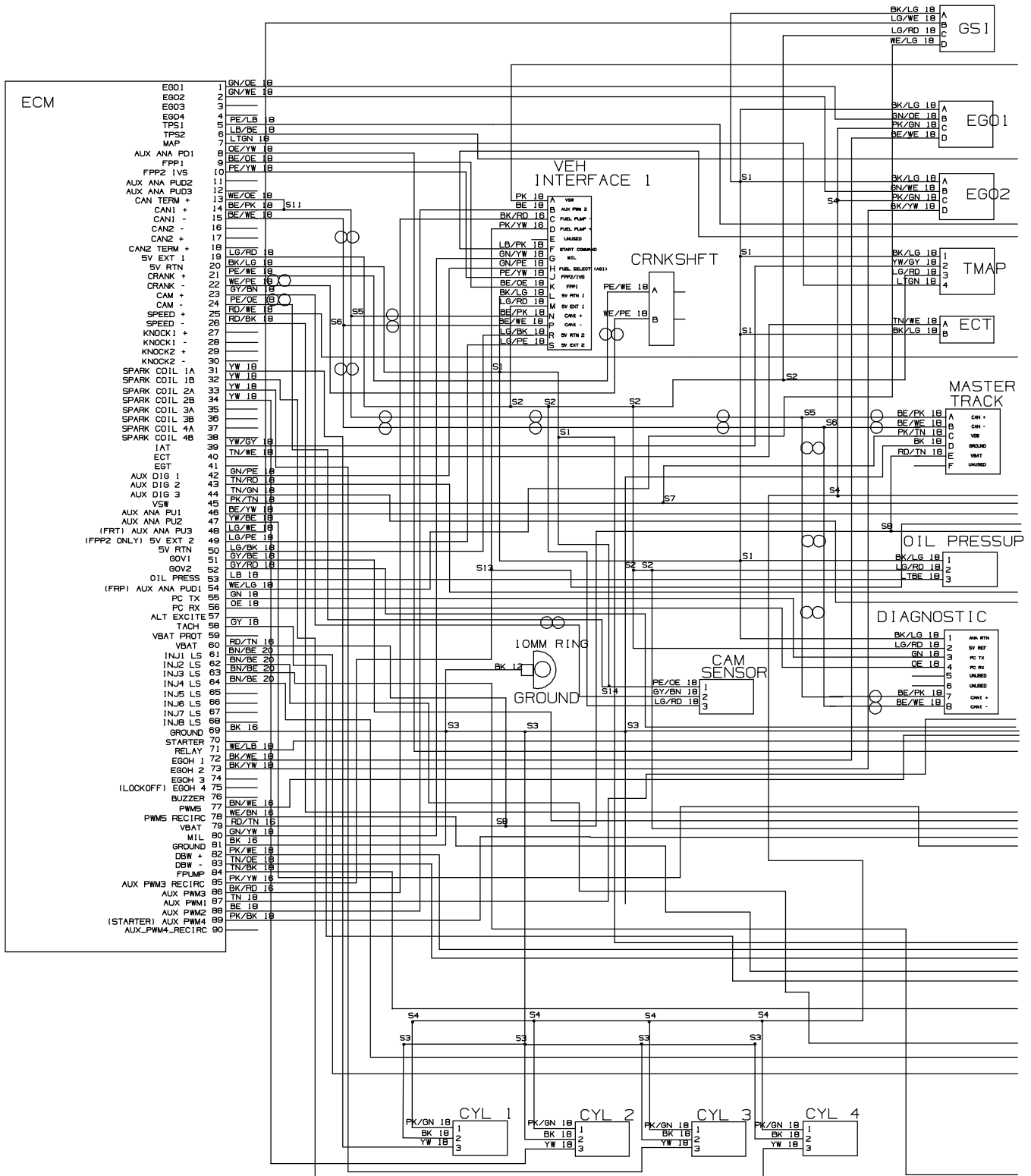
Fig. 91 – Mitsubishi Electrical Schematic (005000-)



OPTIONAL CE SEAT SWITCH SHUTDOWN CIRCUIT.

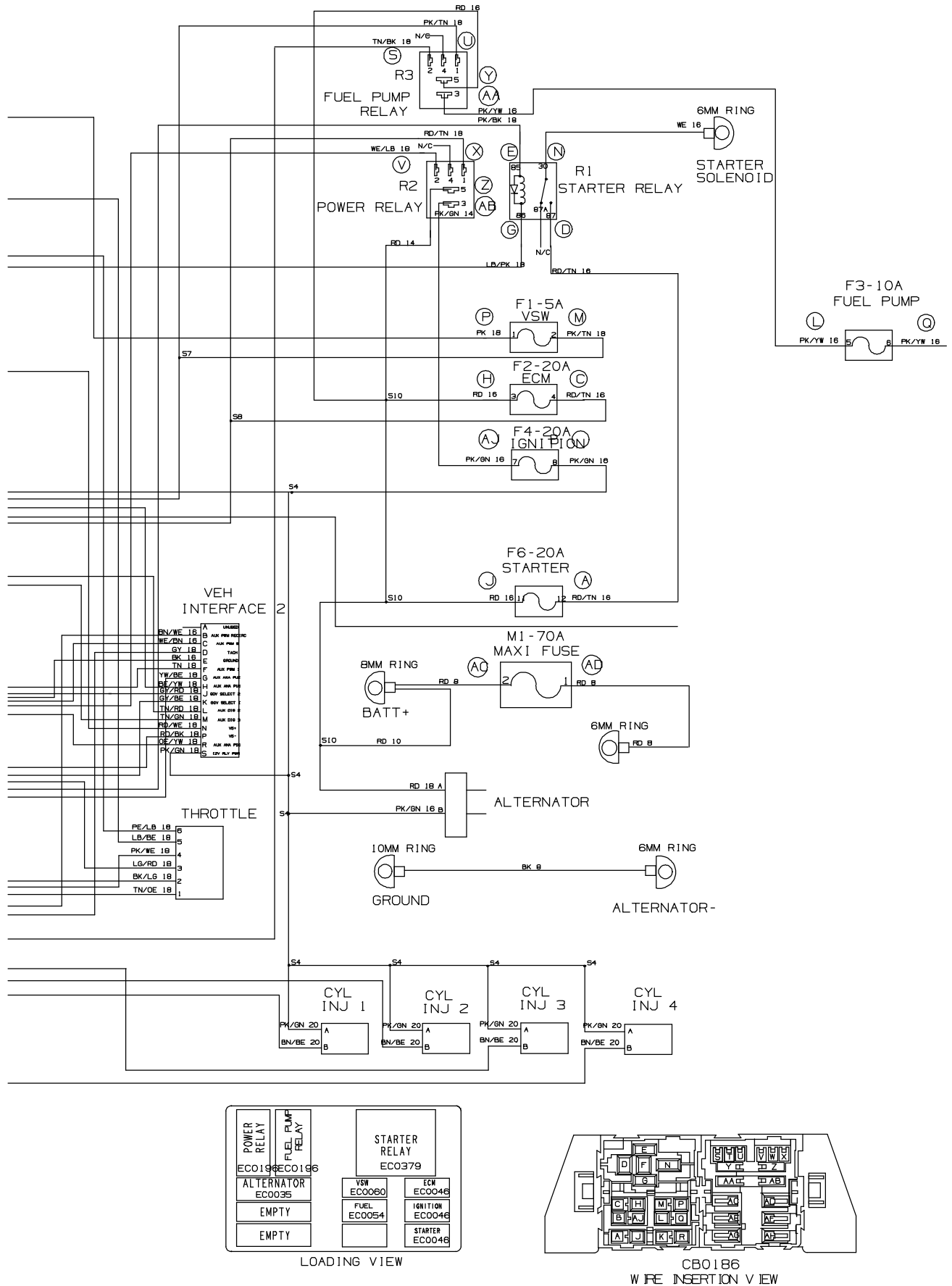
1029601-356307

Fig. 92 – Mitsubishi Electrical Schematic, Gas Engine Harness (005000-)



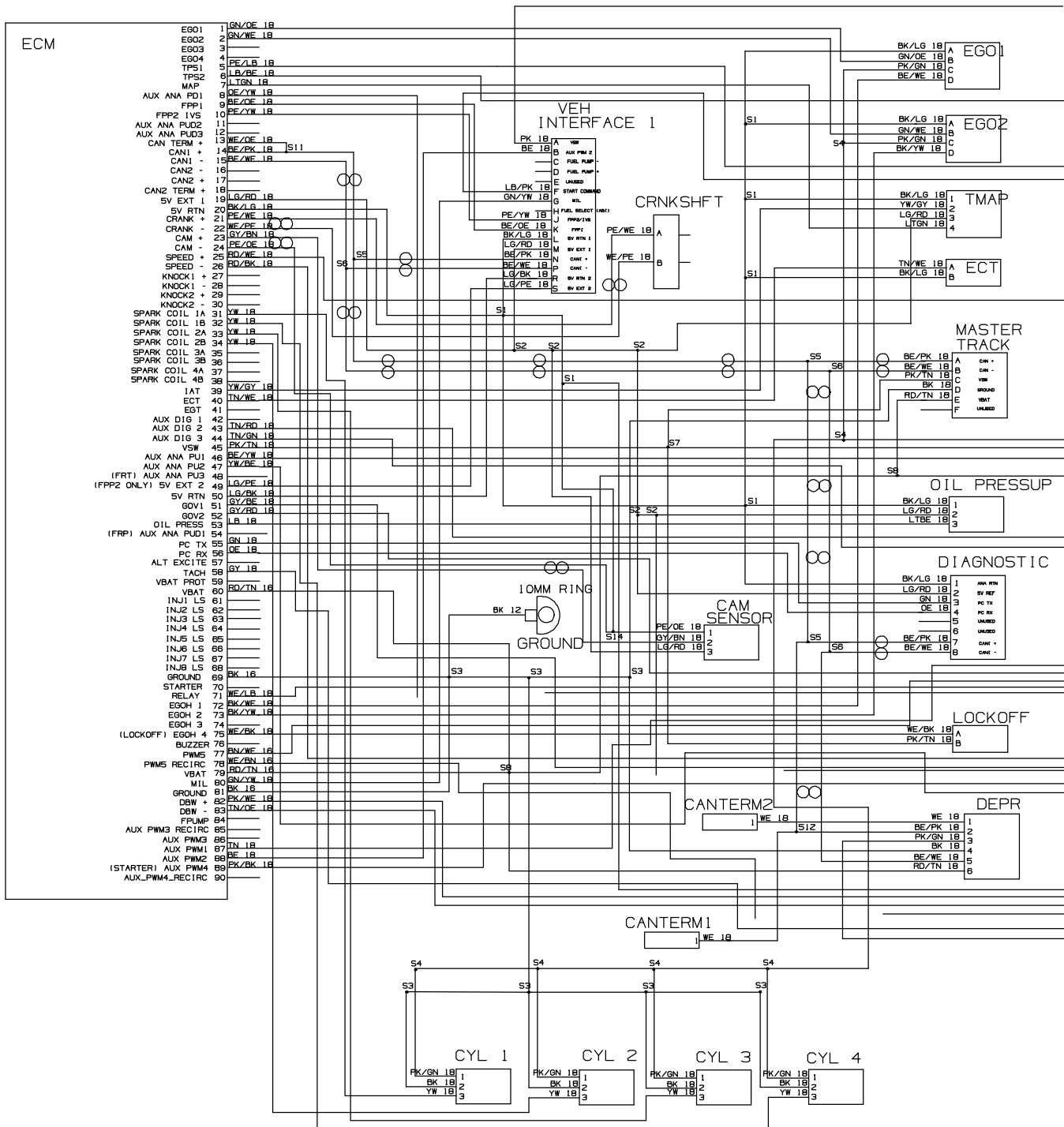
1071653-356303

Fig. 92 – Mitsubishi Electrical Schematic, Gas Engine Harness (005000–)



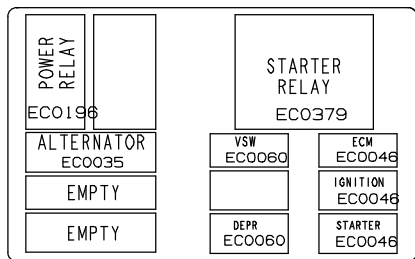
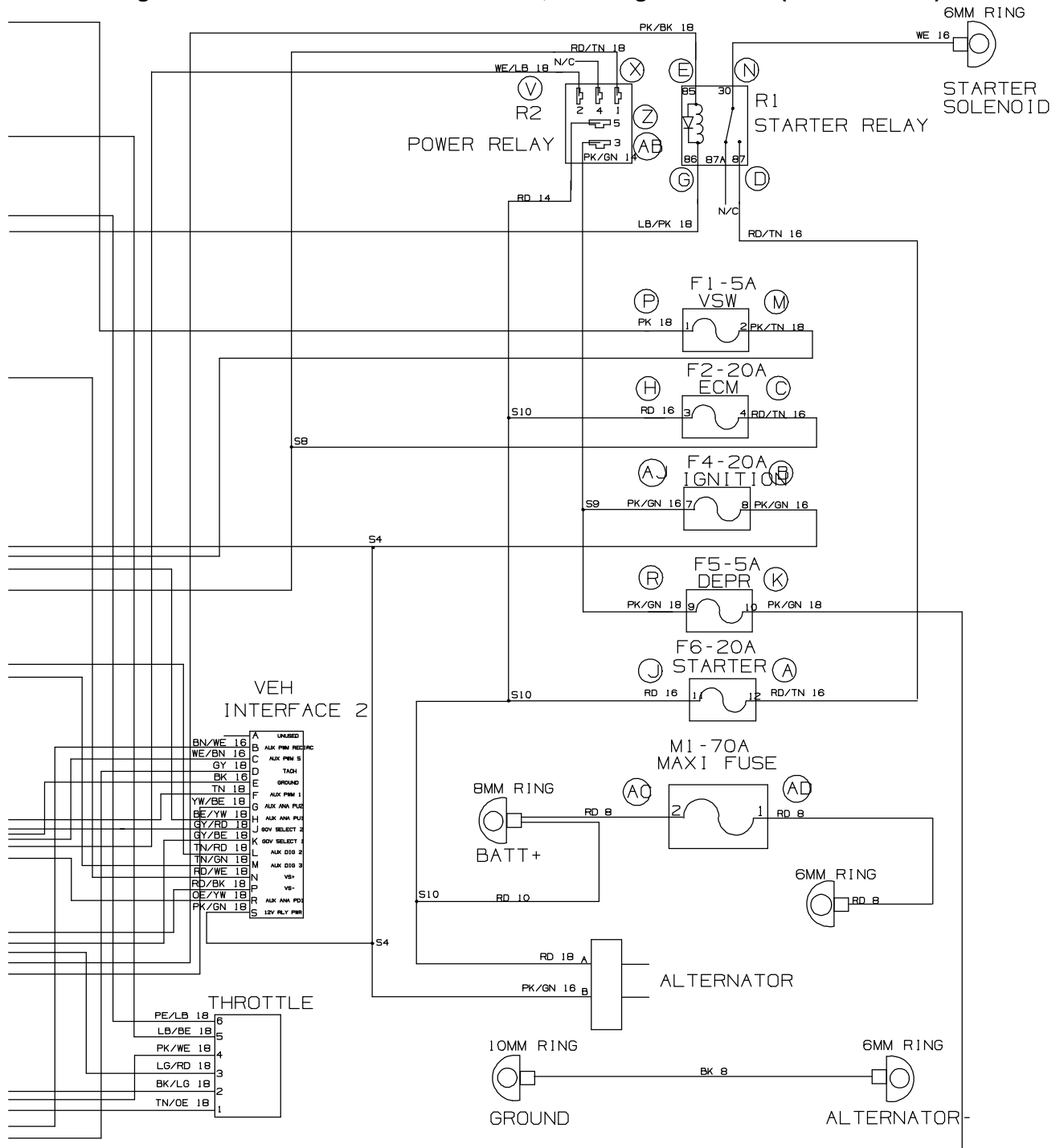
STANDARD PARTS

Fig. 93 – Mitsubishi Electrical Schematic, LPG Engine Harness (005000–)

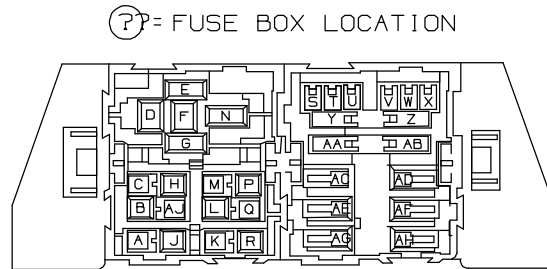


1071654-356304

Fig. 93 – Mitsubishi Electrical Schematic, LPG Engine Harness (005000-)



LOADING VIEW



CB0186 WIRE INSERTION VIEW

Fig. 94 – Electrical Wire Harness Group, Main

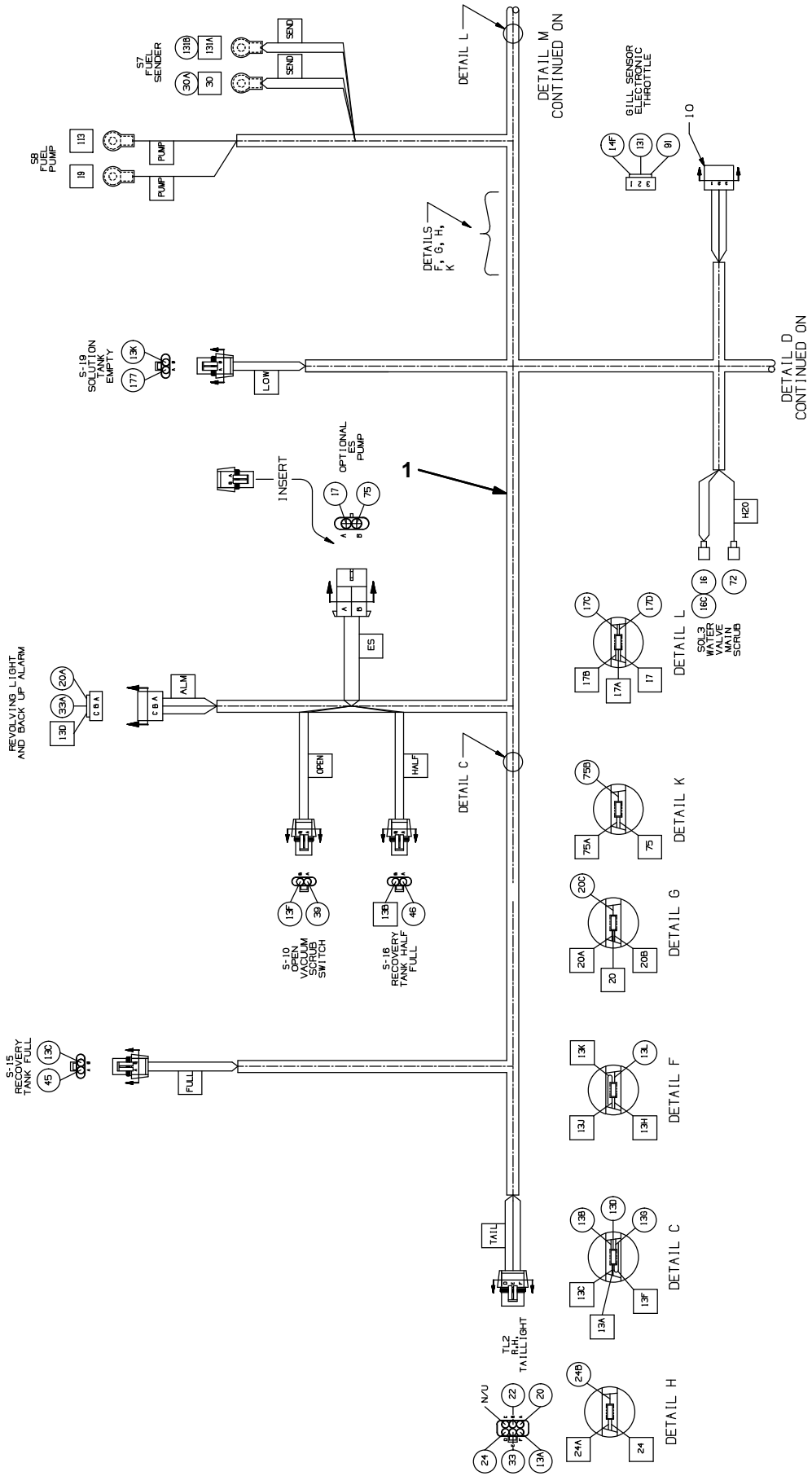


Fig. 94 - Electrical Wire Harness Group, Main

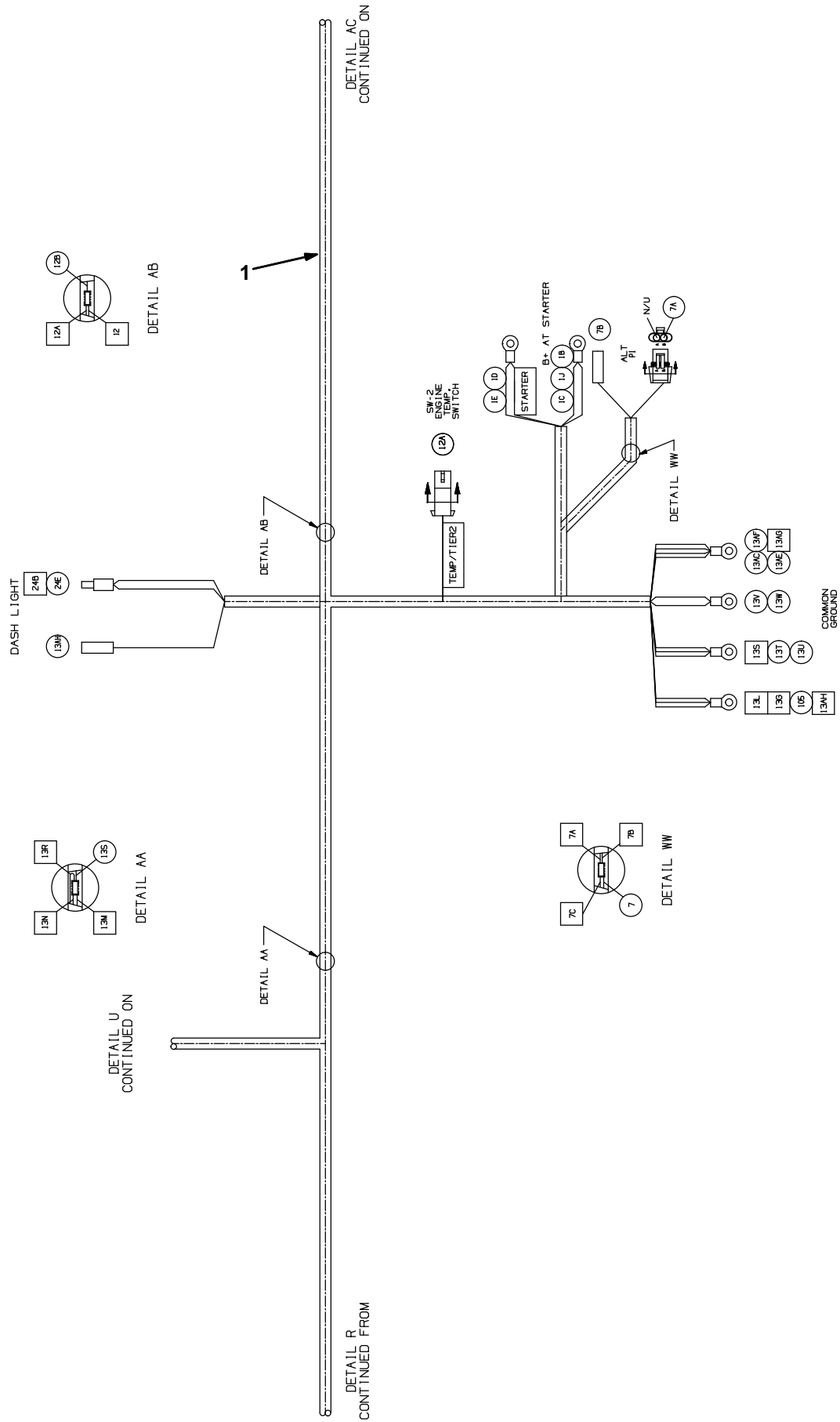


Fig. 94 - Electrical Wire Harness Group, Main

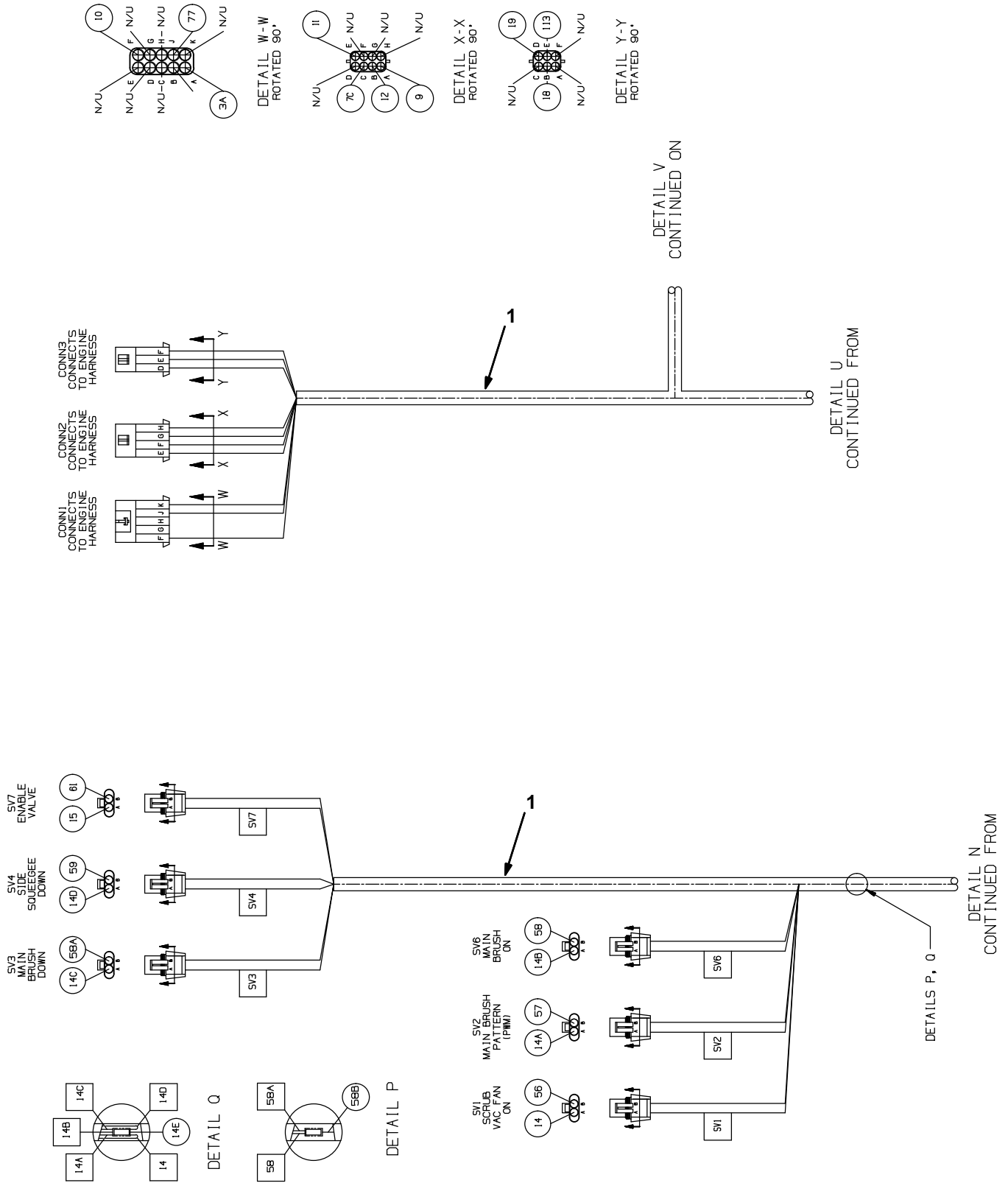


Fig. 94 - Electrical Wire Harness Group, Main

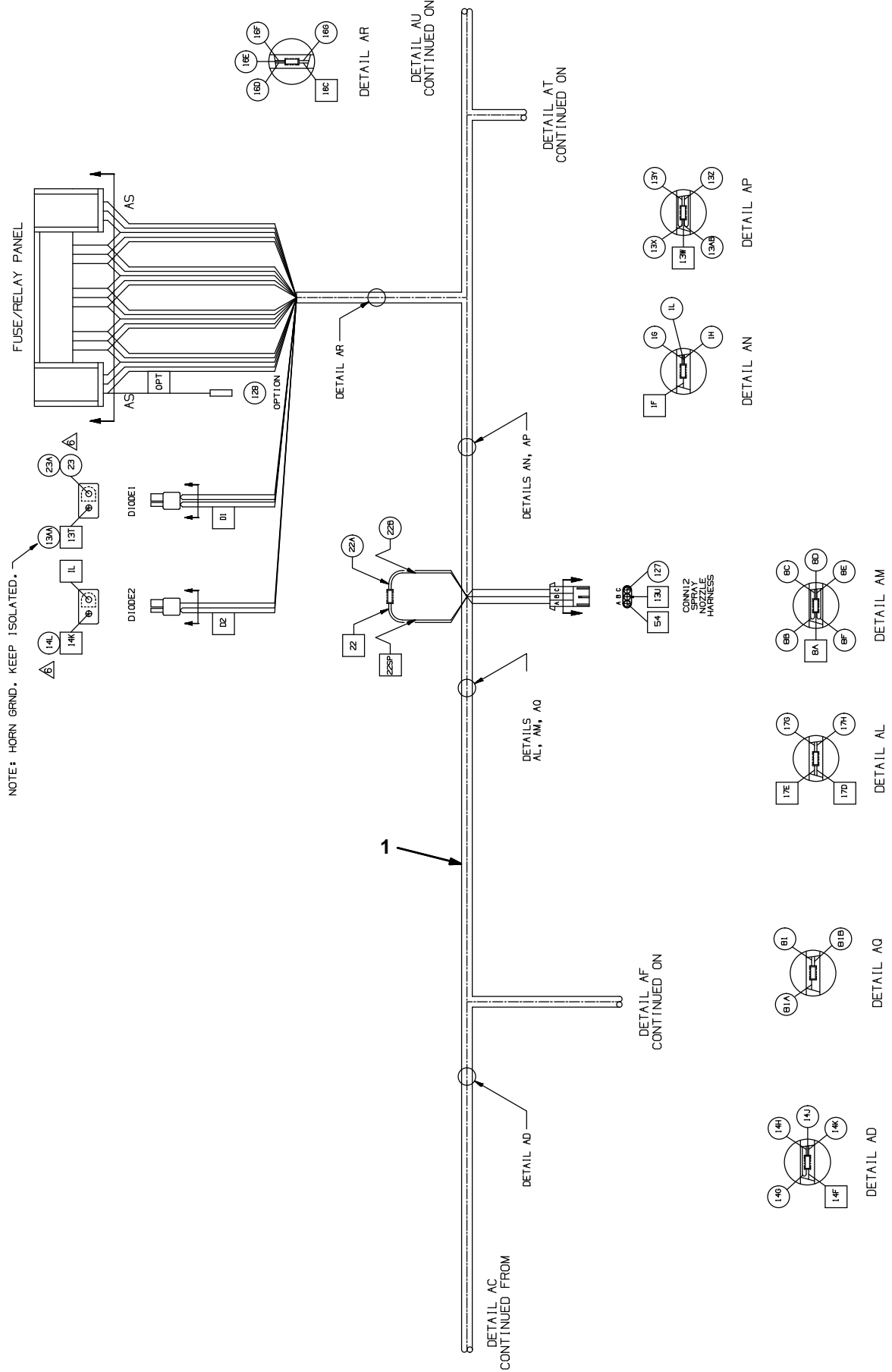


Fig. 94 - Electrical Wire Harness Group, Main

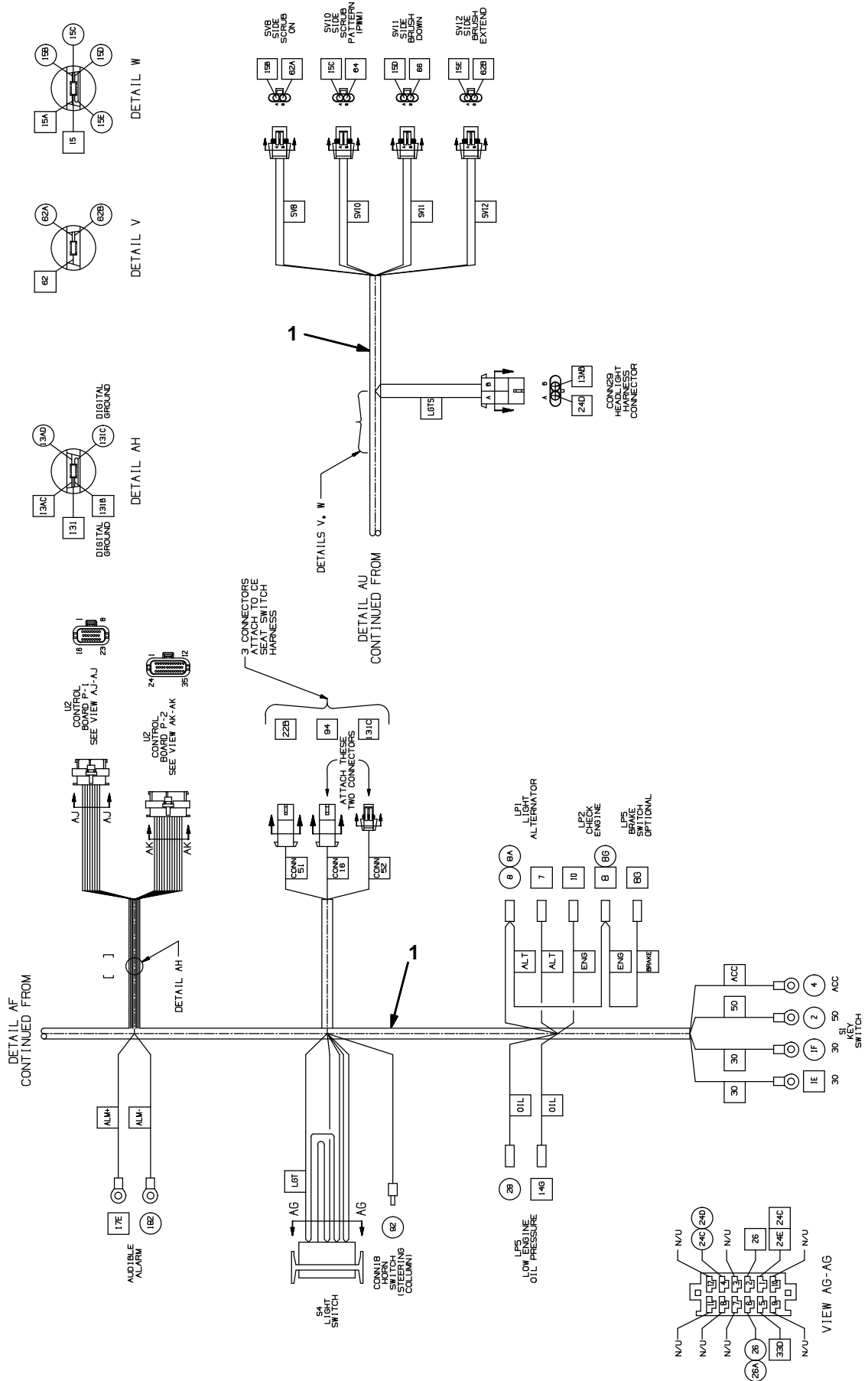


Fig. 94 – Electrical Wire Harness Group, Main

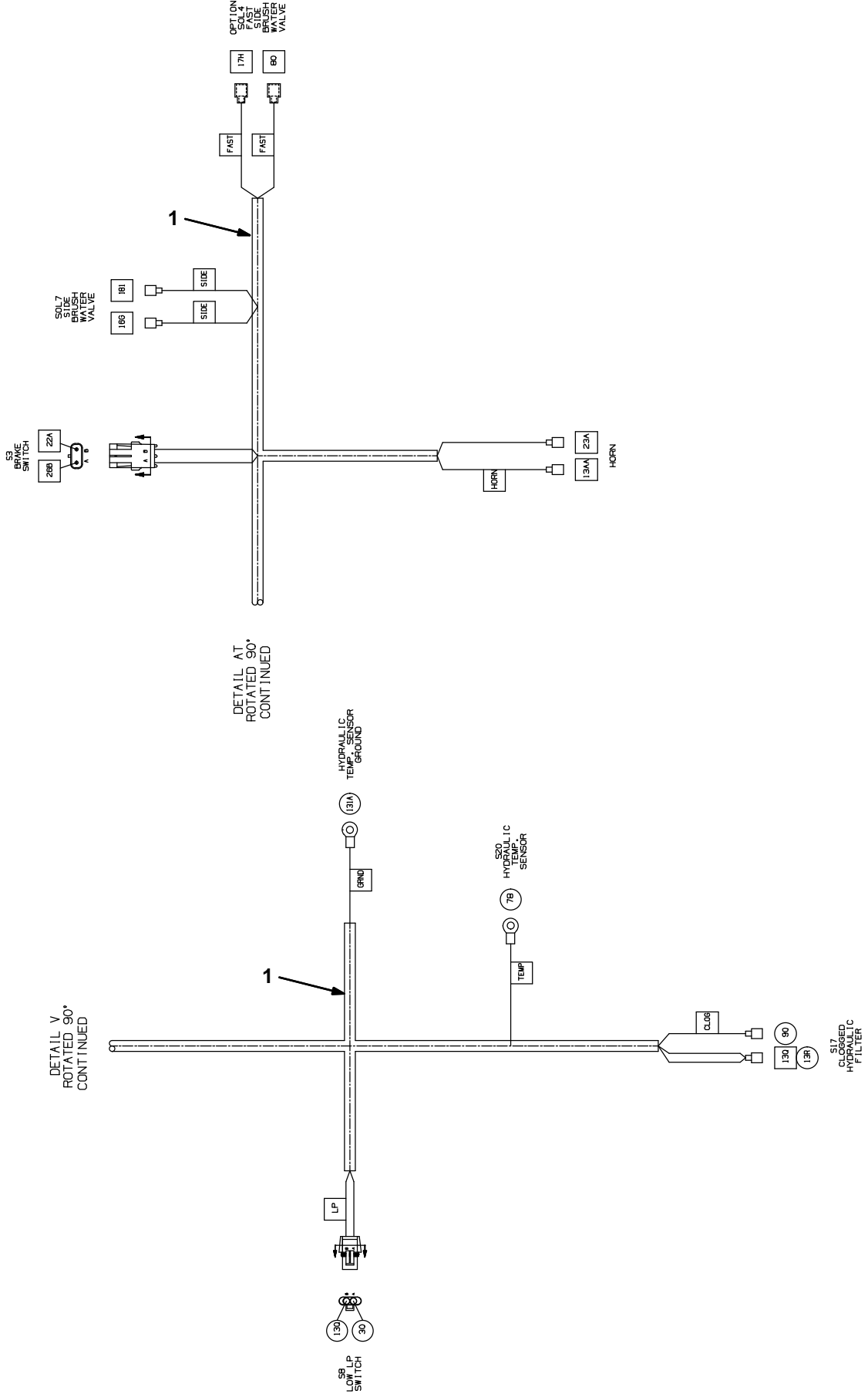
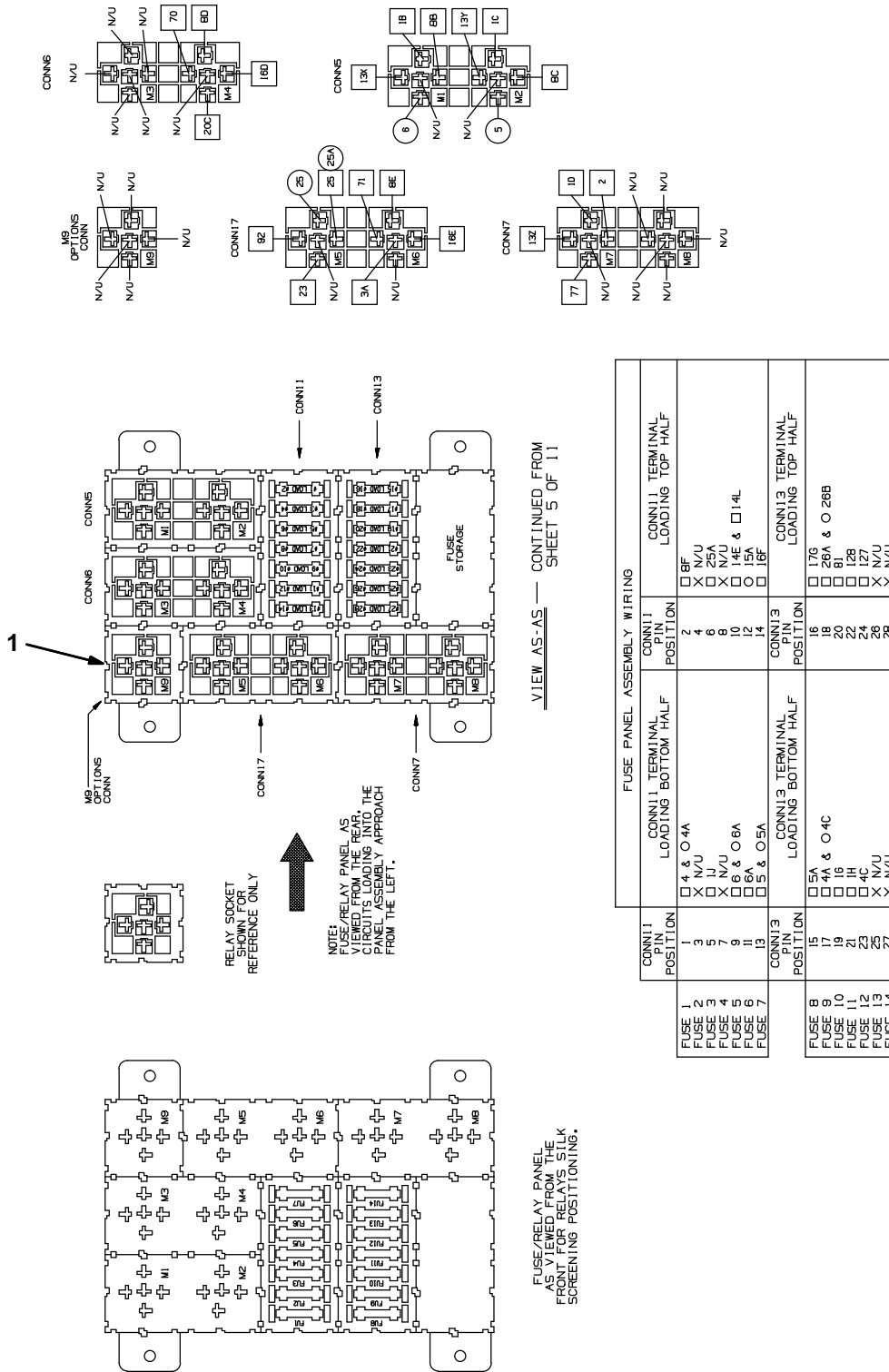


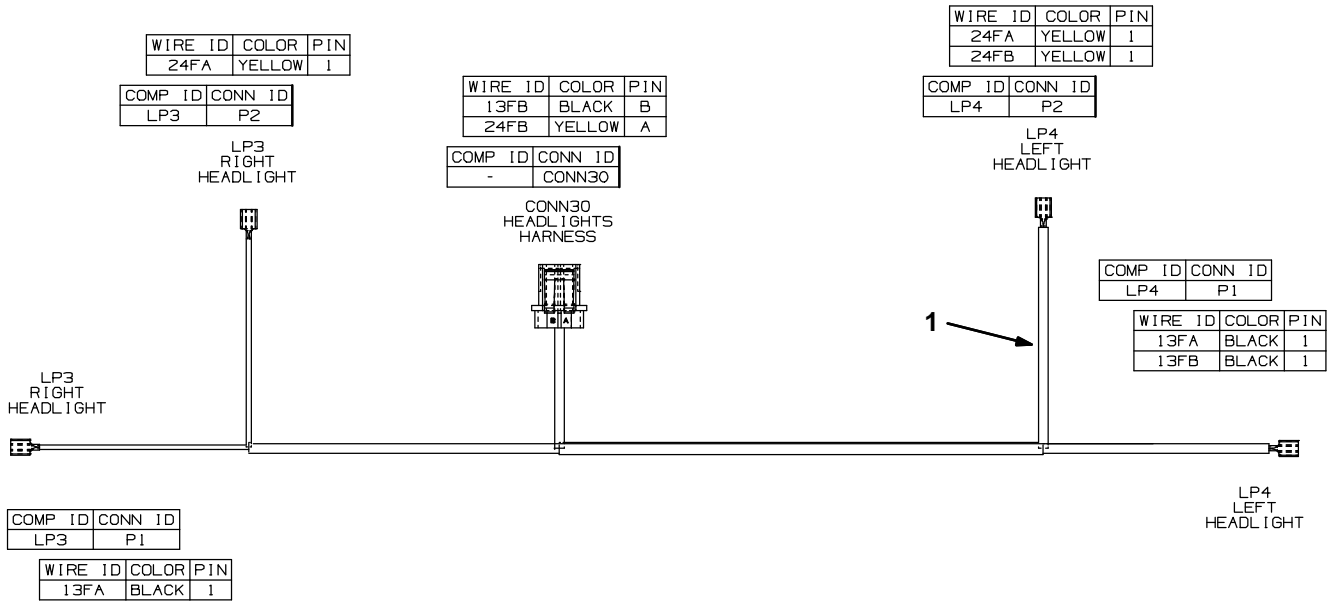
Fig. 94 - Electrical Wire Harness Group, Main



FUSE PANEL ASSEMBLY WIRING			
CONN13 PIN POSITION	CONN11 TERMINAL LOADING BOTTOM HALF	CONN11 PIN POSITION	CONN11 TERMINAL LOADING TOP HALF
FUSE 1	<input type="checkbox"/> 4 & <input type="checkbox"/> 4A	2	<input type="checkbox"/> BF
FUSE 2	<input type="checkbox"/> N/U	4	<input type="checkbox"/> N/U
FUSE 3	<input type="checkbox"/> J	6	<input type="checkbox"/> 25A
FUSE 4	<input type="checkbox"/> N/U	8	<input type="checkbox"/> N/U
FUSE 5	<input type="checkbox"/> 6 & <input type="checkbox"/> 8A	10	<input type="checkbox"/> 14E & <input type="checkbox"/> 14L
FUSE 6	<input type="checkbox"/> 8A	12	<input type="checkbox"/> 15A
FUSE 7	<input type="checkbox"/> 3 & <input type="checkbox"/> 5A	14	<input type="checkbox"/> 16A
CONN13 PIN POSITION	CONN13 TERMINAL LOADING BOTTOM HALF	CONN13 PIN POSITION	CONN13 TERMINAL LOADING TOP HALF
FUSE 8	<input type="checkbox"/> 5A	16	<input type="checkbox"/> 17G
FUSE 9	<input type="checkbox"/> 4A & <input type="checkbox"/> 4C	18	<input type="checkbox"/> 26A & <input type="checkbox"/> 26B
FUSE 10	<input type="checkbox"/> 16	20	<input type="checkbox"/> 81
FUSE 11	<input type="checkbox"/> 1H	22	<input type="checkbox"/> 12B
FUSE 12	<input type="checkbox"/> N/U	24	<input type="checkbox"/> 12C
FUSE 13	<input type="checkbox"/> N/U	26	<input type="checkbox"/> N/U
FUSE 14	<input type="checkbox"/> N/U	28	<input type="checkbox"/> N/U

Ref.	Part No.	Serial Number	Description	Qty.
1	1071605	(000000-)	Harness, Main [T20]	1

Fig. 95 – Electrical Wire Harness Group, Headlight



Ref.	Part No.	Serial Number	Description	Qty.
1	1024141	(000000–)	Harness, Headlight [M20 And T20]	1

Fig. 96 – Electrical Wire Harness Group, Gasoline/LPG Engine

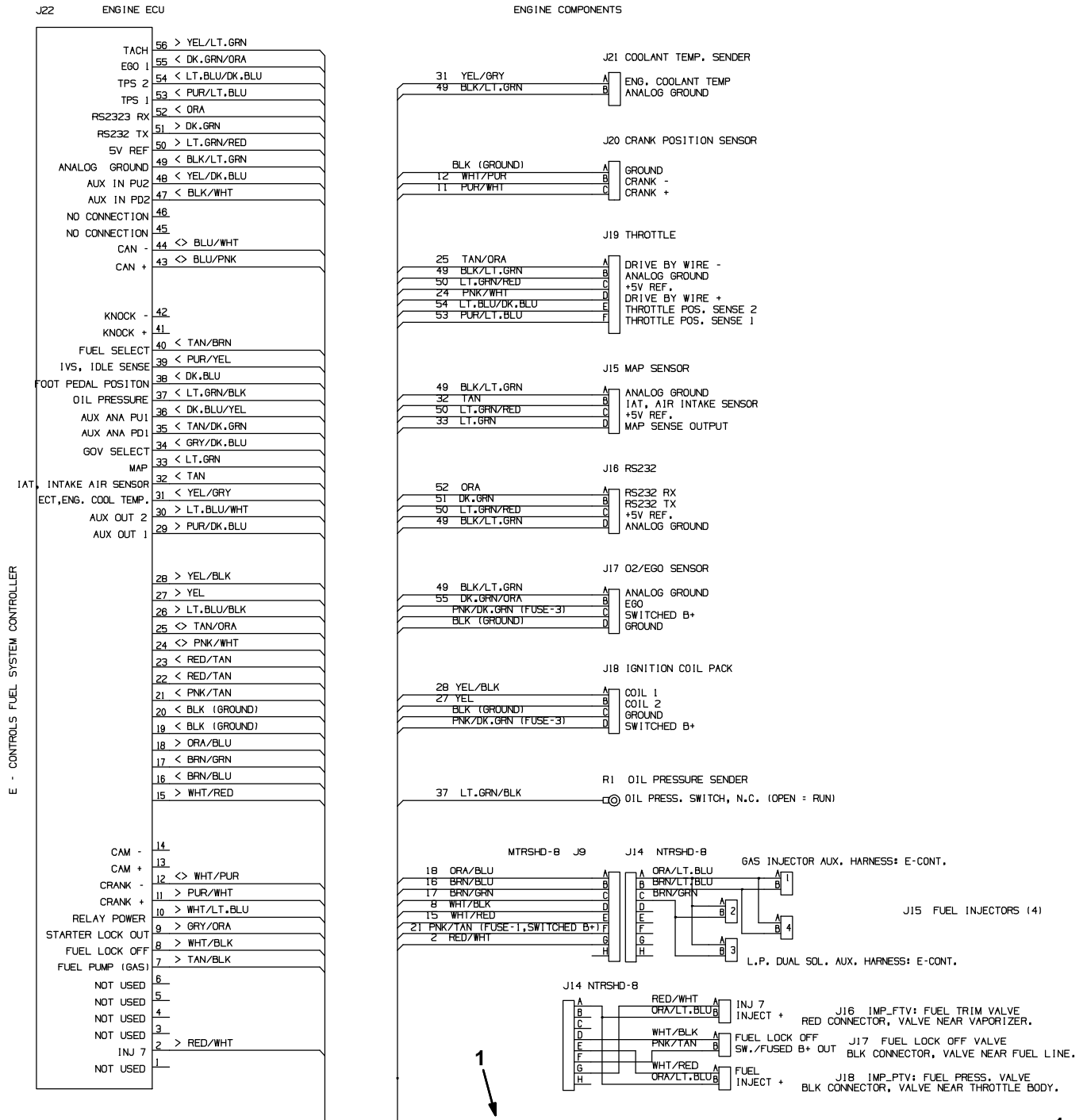


Fig. 96 – Electrical Wire Harness Group, Gasoline/LPG Engine

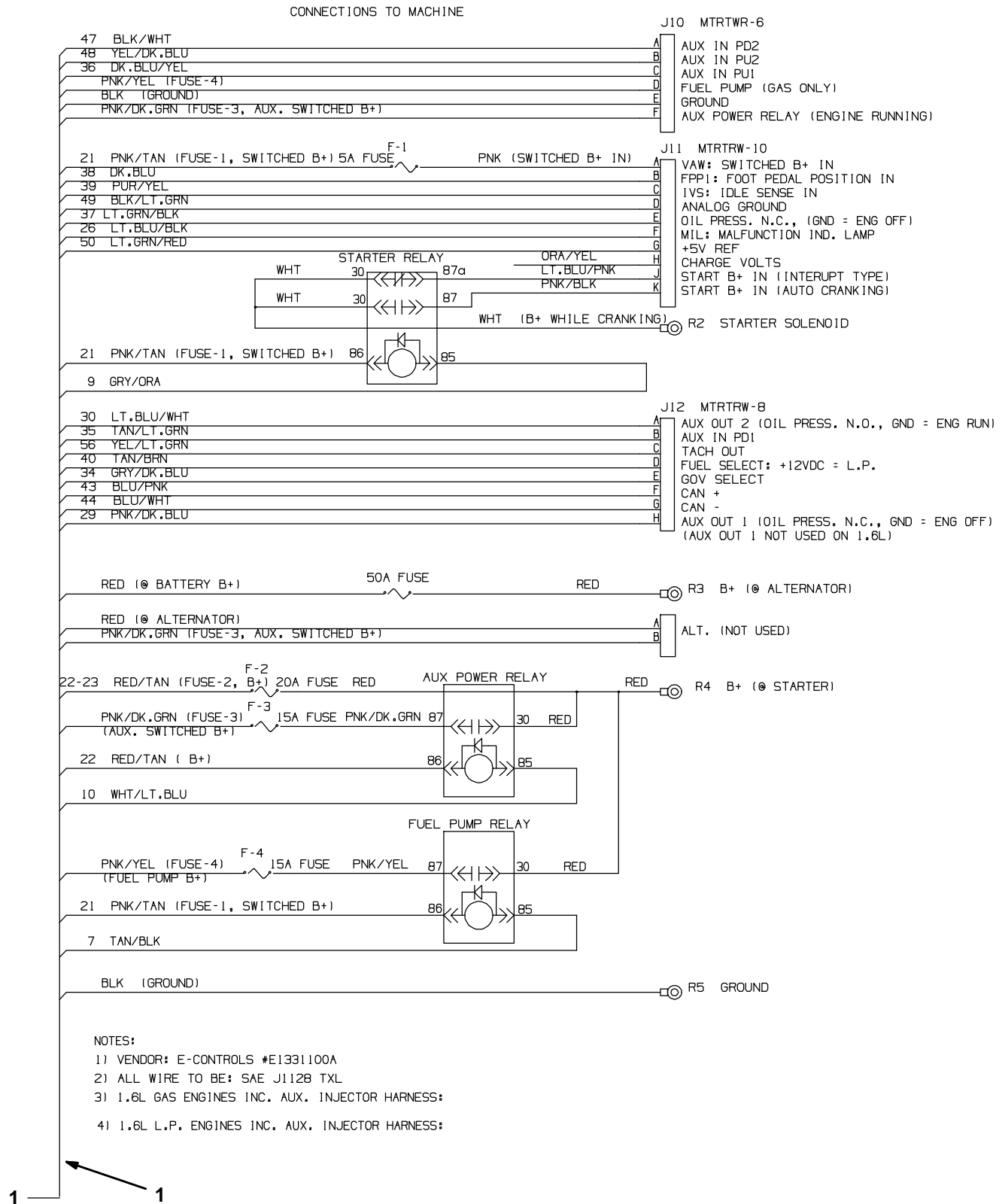
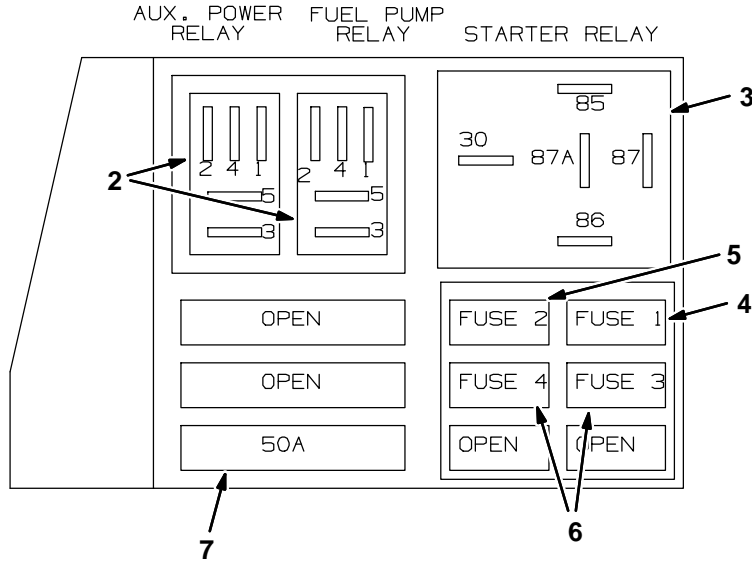
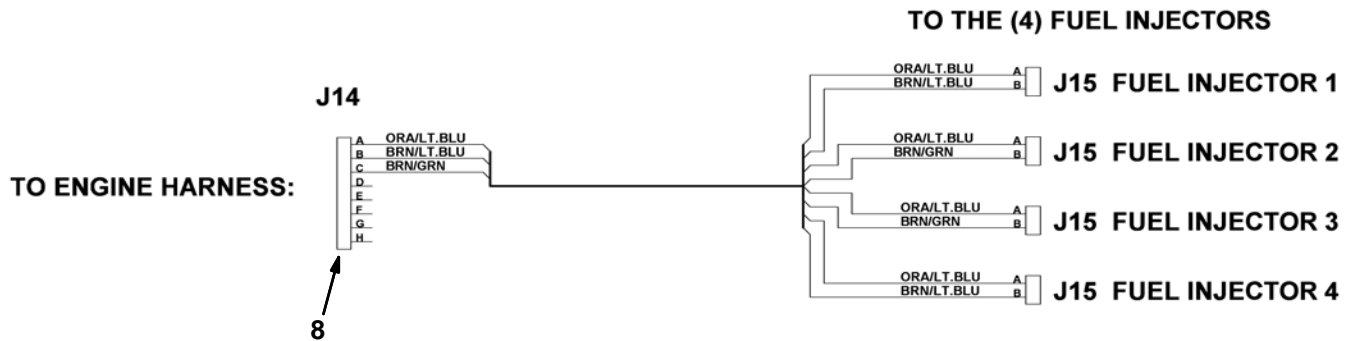


Fig. 96 – Electrical Wire Harness Group, Gasoline/LPG Engine



GAS INJECTOR AUX. HARNESS



L.P. DUAL SOL. AUX. HARNESS

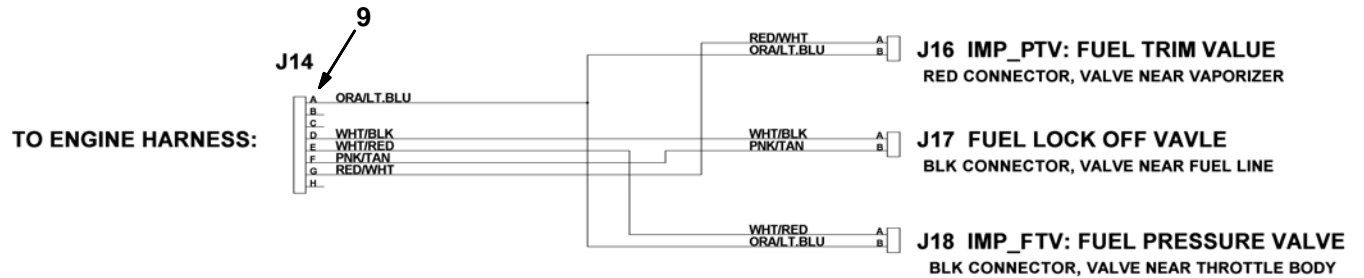


Fig. 96 – Electrical Wire Harness Group, Gasoline/LPG Engine

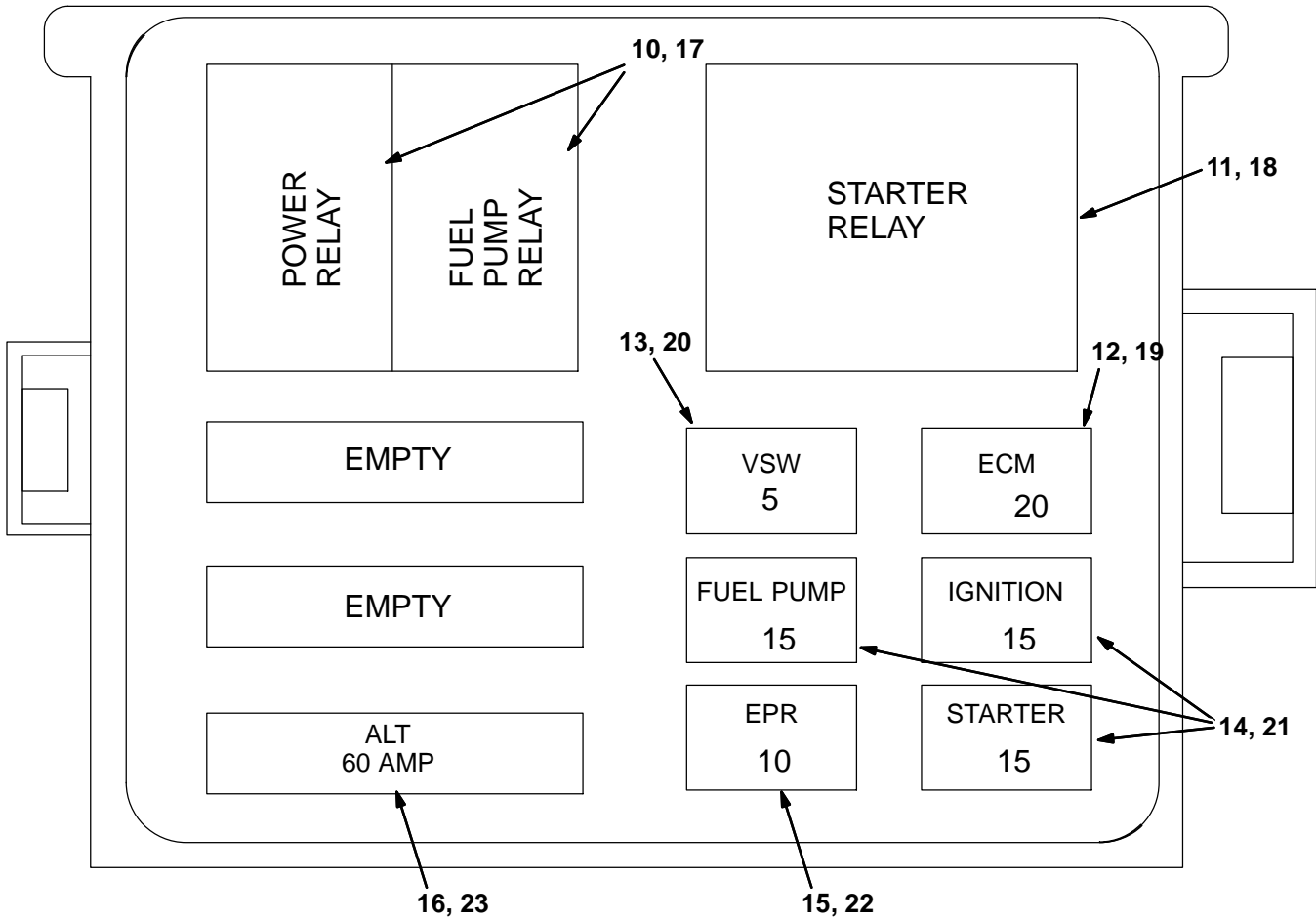
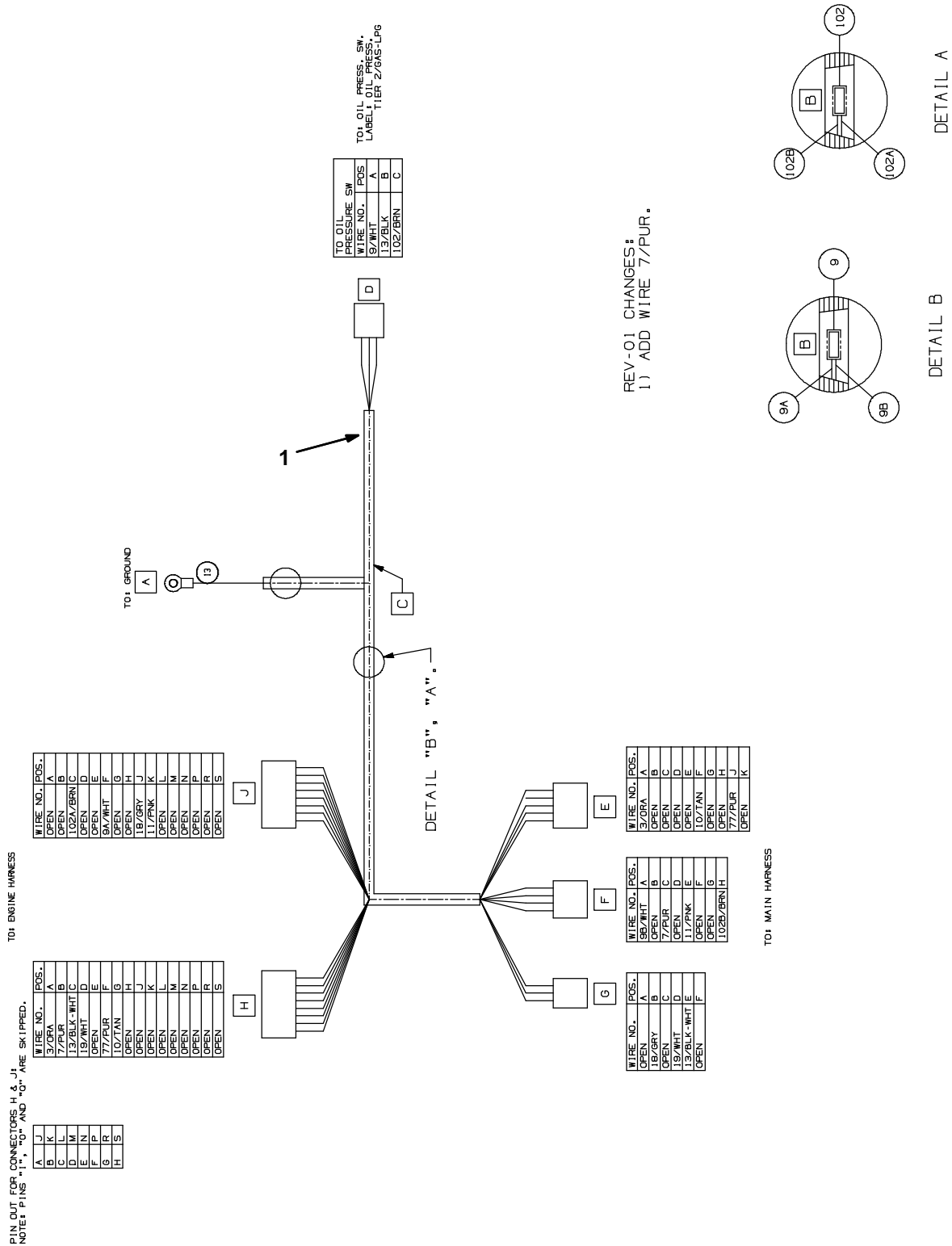


Fig. 96 – Electrical Wire Harness Group, Gasoline/LPG Engine

Ref.	Part No.	Serial Number	Description	Qty.
▽	1	1011018	(000000–001499) Harness, Eng [1.6l, Gm, E–cntrl]	1
▲	2	394916	(000000–001499) Relay, 12vdc, 20a, Spdt	2
▲	3	57804	(000000–001499) Relay, 12vdc, 40a, Spdt	1
▲	4	372235	(000000–001499) Fuse, 5 Amp, [Min–5]	1
▲	5	372237	(000000–001499) Fuse, 20 Amp, [Min–20]	1
▲	6	372236	(000000–001499) Fuse, 15 Amp, [Min–15]	2
▲	7	394921	(000000–001499) Fuse, 50amp	1
	8	1011019	(000000–001499) Harness, Injector, Gas [1.6l,Gm,E–cntrl]	1
	9	1011020	(000000–001499) Harness, Injector, Lpg [1.6l,Gm,E–cntrl]	1
▽		384997	(001500–002140) Harness, Wire, Eng, Gas [Gm 1.6L]	1
▲	10	394916	(001500–002140) Relay, 12vdc, 20a, Spdt	2
▲	11	57804	(001500–002140) Relay, 12vdc, 40a, Spdt	1
▲	12	372237	(001500–002140) Fuse, 20 Amp, [Min–20]	1
▲	13	372235	(001500–002140) Fuse, 5 Amp, [Min–5]	1
▲	14	372236	(001500–002140) Fuse, 15 Amp, [Min–15]	2
▲	15	384999	(001500–002140) Fuse, 10 Amp	1
▲	16	384998	(001500–002140) Fuse, 60 Amp	1
▽		1063457	(002141–004999) Harness, Wire, Eng, Gas [GM 1.6L 10]	1
▲	10	394916	(002141–004999) Relay, 12vdc, 20a, Spdt	2
▲	11	57804	(002141–004999) Relay, 12vdc, 40a, Spdt	1
▲	12	372237	(002141–004999) Fuse, 20 Amp, [Min–20]	1
▲	13	372235	(002141–004999) Fuse, 5 Amp, [Min–5]	1
▲	14	372236	(002141–004999) Fuse, 15 Amp, [Min–15]	2
▲	15	384999	(002141–004999) Fuse, 10 Amp	1
▲	16	384998	(002141–004999) Fuse, 60 Amp	1
▽		384990	(001500–002140) Harness, Wire, Eng, Lpg [Gm 1.6l]	1
▲	17	394916	(001500–002140) Relay, 12vdc, 20a, Spdt	2
▲	18	57804	(001500–002140) Relay, 12vdc, 40a, Spdt	1
▲	19	372237	(001500–002140) Fuse, 20 Amp, [Min–20]	1
▲	20	372235	(001500–002140) Fuse, 5 Amp, [Min–5]	1
▲	21	372236	(001500–002140) Fuse, 15 Amp, [Min–15]	2
▲	22	384999	(001500–002140) Fuse, 10 Amp	1
▲	23	384998	(001500–002140) Fuse, 60 Amp	1
▽		1063456	(002141–004999) Harness, Wire, Eng, Lpg [Gm 1.6l 10]	1
▲	17	394916	(002141–004999) Relay, 12vdc, 20a, Spdt	2
▲	18	57804	(002141–004999) Relay, 12vdc, 40a, Spdt	1
▲	19	372237	(002141–004999) Fuse, 20 Amp, [Min–20]	1
▲	20	372235	(002141–004999) Fuse, 5 Amp, [Min–5]	1
▲	21	372236	(002141–004999) Fuse, 15 Amp, [Min–15]	2
▲	22	384999	(002141–004999) Fuse, 10 Amp	1
▲	23	384998	(002141–004999) Fuse, 60 Amp	1
		1071653	(005000–) Harness, Wire, Eng, Gas [Mit, 2.0L]	1
		1071654	(005000–) Harness, Wire, Eng, Lpg[Mit, 2.0L]	1

STANDARD PARTS

Fig. 97 – Electrical Wire Harness Group, Gasoline/LPG Engine Adapter Harness without Telemetry



354389-354459

Ref.	Part No.	Serial Number	Description	Qty.
1	1071642	(001500-) Harness, Wire, Gas/Lpg [Eng Adapt]	1

Fig. 98 – Label Group

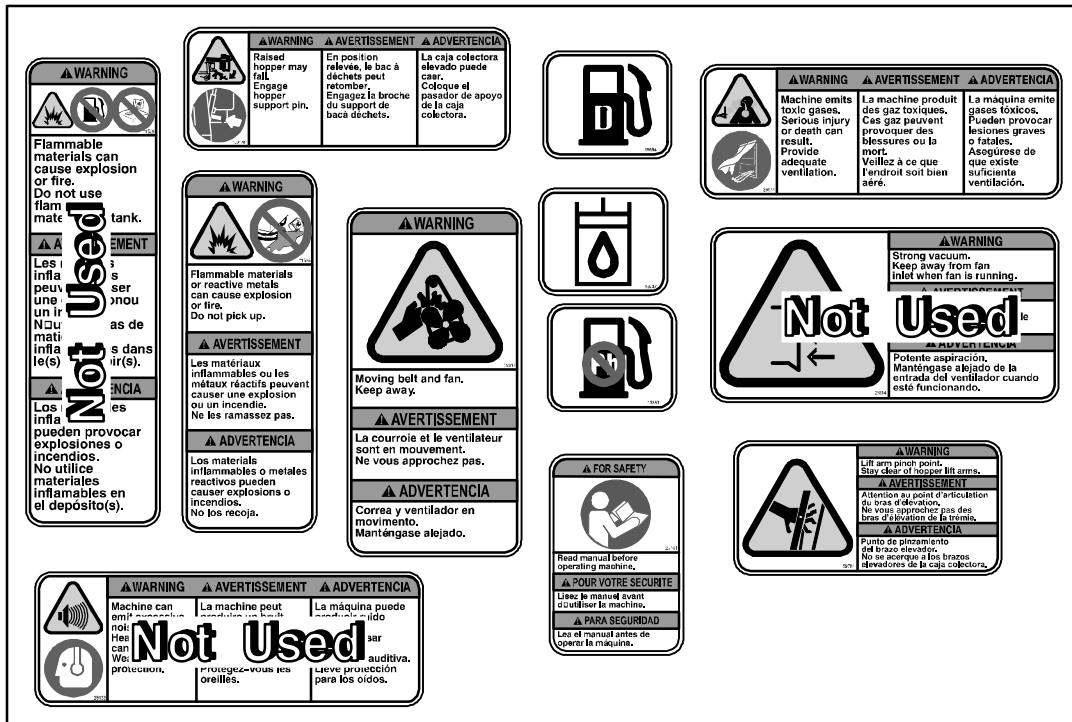
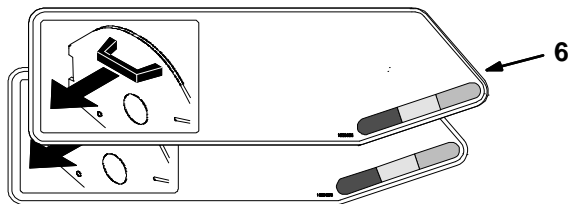
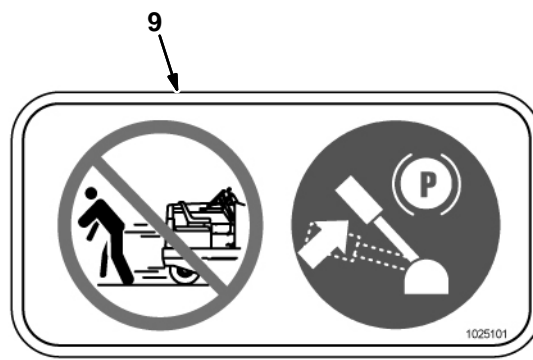
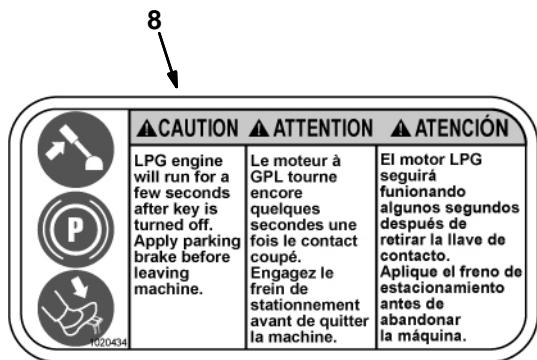


Fig. 98 – Label Group



T20 – G/LP

Ref.	Part No.	Serial Number	Description	Qty.
1	77221	(000000–)	Label Set, Info/Hzrd, Swpr / Scrbr	1
2	1017141	(000000–)	Label Set, Hi Temp	1
3	1065343	(000000–)	Label, Logo, 05.75L 2Color [ES]	3
4	1065342	(000000–)	Label, Logo, 07.95L 2Color [FaST]	3
5	1050003	(000000–)	Label [User, Attention, ec–H2O]	2
6	1031017	(000000–)	Label Set, Brush Indicator & Removal	1
7	1032450	(000000–)	Label Set, Info/Hzrd, Swpr / Scrbr, Tj (Japan Only)	1
8	1020434	(000000–)	Label, Caution [Apply Parking Brake]	1
9	1025101	(000000–)	Label, Caution [Apply Parking Brake] (Japan Only)	1
10	1064661	(000000–)	Label, Model, 2Color [T20]	2
11	1062813	(000000–)	Label, Logo, 12.3L 4Color [ec–H2O]	1
12	1064440	(000000–)	Label, Logo, 16.9L 4Color [ec–H2O]	1

SECTION 3

Contents	Page
Fig. 1 – ES Pump Group	3-2
Fig. 2 – ES Tanks Group	3-4
Fig. 3 – Side Brush Motor Group (000000–002115)	3-6
Fig. 4 – Side Brush Motor Group (002116–)	3-8
Fig. 5 – Side Brush Lift Group	3-10
Fig. 6 – Side Brush Solution Control Group	3-12
Fig. 7 – Side Brush Hydraulic Valve Group	3-14
Fig. 8 – Side Brush Hydraulic Hose Group	3-16
Fig. 9 – FaST Solution Pump Group (000000–001742)	3-18
Fig. 10 – FaST Air Pump and Detergent Group (000000–001742)	3-20
Fig. 11 – FaST Foam Filter Group, Cylindrical Scrub Head (000000–001742)	3-22
Fig. 12 – FaST Foam Filter Group, Cylindrical Scrub Head with Side Brush (000000–001742)	3-24
Fig. 13 – FaST Foam Filter Group, Disk Scrub Head (000000–001742)	3-26
Fig. 14 – FaST Foam Filter Group, Disk Scrub Head with Side Brush (000000–001742)	3-28
Fig. 15 – FaST Wire Harness Group (000000–001742)	3-30
Fig. 16 – FaST Pumps and Detergent Group (001743–)	3-32
Fig. 17 – FaST Solution Supply Group, Cylindrical Scrub Head (001743–)	3-34
Fig. 18 – FaST Solution Supply Group with Side Brush, Cylindrical Scrub Head (001743–)	3-36
Fig. 19 – FaST Solution Supply Group, Disk Scrub Head (001743–)	3-38
Fig. 20 – FaST Solution Supply Group with Side Brush, Disk Scrub Head (001743–)	3-40
Fig. 21 – FaST Wire Harness Group (001743–)	3-42

Contents	Page
Fig. 22 – ec–H2O Solution Pump Group	3-44
Fig. 23 – ec–H2O Solution Pump Supply Group	3-46
Fig. 24 – ec–H2O Solution Supply Group, Cylindrical Scrub Head	3-48
Fig. 25 – ec–H2O Solution Supply Group, Cylindrical Scrub Head with Side Brush	3-50
Fig. 26 – ec–H2O Solution Supply Group, Disk Scrub Head	3-52
Fig. 27 – ec–H2O Solution Supply Group, Disk Scrub Head with Side Brush	3-54
Fig. 28 – ec–H2O Wire Harnesses Group	3-56
Fig. 29 – Backup Alarm Kit	3-59
Fig. 30 – Light Kit, Flashing	3-60
Fig. 31 – Light Kit, Strobe	3-62
Fig. 32 – Light Kit, Flashing Overhead Guard	3-64
Fig. 33 – Light Kit, Strobe Overhead Guard	3-65
Fig. 34 – Overhead Guard Kit	3-66
Fig. 35 – Telemetry Group	3-68
Fig. 36 – Electrical Wire Harness Group, Gasoline/LPG Engine Adapter Harness with Telemetry	3-70
Fig. 37 – Heavy Duty Bumper Kit	3-71
Fig. 38 – Vacuum Wand Kit	3-72
Fig. 39 – Power Wand Hose Assembly	3-74
Fig. 40 – Power Wand Assembly	3-76
Fig. 41 – Power Wand Pump and Mount Group	3-78
Fig. 42 – Power Wand Pump and Mount Group with Spray Nozzle	3-80
Fig. 43 – Spray Nozzle Kit	3-82
Fig. 44 – Spray Nozzle Kit with Power Wand	3-84
Fig. 45 – Transport Kit	3-86
Fig. 46 – Squeegee Guard Kit	3-88
Fig. 47 – Engine Radiator Screen Kit (002093–004999)	3-90
Fig. 48 – Fire Extinguisher Kit	3-92
Fig. 49 – Documentation Group	3-93

Fig. 1 - ES Pump Group

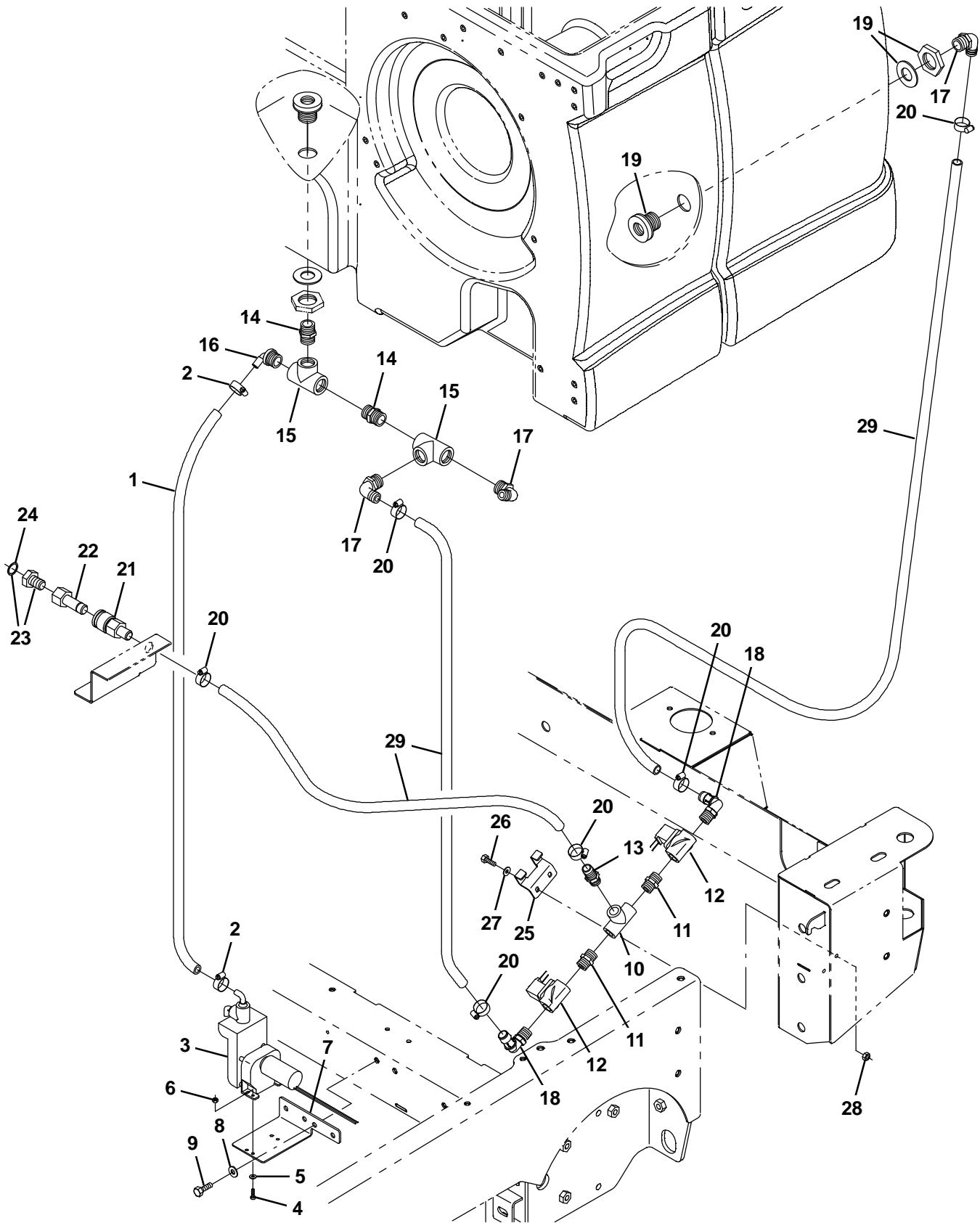


Fig. 1 – ES Pump Group

Ref.	Part No.	Serial Number	Description	Qty.	
1	41295	(000000–) Hose, Pvc, Clr, 0.38id 0.56od 48.00l	1	
2	43844	(000000–) Clamp, Hose, Wormdrive, 0.25–0.62d, .31w	2	
3	73260	(000000–) Pump, Detgt, 14vdc, 150ml/Min 20psi (See Breakdowns)	1	
4	24265	(000000–) Screw, Pan, M4 X 0.7 X 16, Ss	2	
5	01683	(000000–) Washer, Flat, #10, Ss	2	
6	33932	(000000–) Nut, Hex, Lock, M4 X 0.7, NI, Ss	2	
7	1021325	(000000–) Bracket, Mtg, Valve	1	
8	01685	(000000–) Washer, Flat, 0.31, Ss	2	
9	09740	(000000–) Screw, Hex, M8 X 1.25 X 20, Ss	2	
10	79497	(000000–) Fitting, Plstc, Tee, Pf08/Pf08/Pf08	1	
11	86508	(000000–) Fitting, Plstc, Str, Pm08/Pm08	2	
12	73433	(000000–) Valve, Water, Solenoid, 12vdc 0.08pf	2	
13	78398	(000000–) Fitting, Plstc, Str, Bm12/Pm08, Nyl	1	
14	24544	(000000–) Fitting, Plstc, Str, Pm12/Pm12 1.60l	2	
15	42133A	(000000–) Fitting, Plstc, Tee, Pf12/Pf12/Pf12	2	
16	79484	(000000–) Fitting, Plstc, E90, Bm06/Pm12, Nyl	1	
17	14877	(000000–) Fitting, Plstc, E90, Bm12/Pm12	3	
18	63244–2	(000000–) Fitting, Plstc, E90, Bm12/Pm08	2	
19	377349	(000000–) Fitting, Plstc, Pf12/Pf12, Bh	1	
20	63810	(000000–) Clamp, Hose, Wormdrive, 0.56–1.06d, .56w	6	
21	24105	(000000–) Fitting, Brs, Qdc, Bm12/Qf08	1	
22	33295	(000000–) Fitting, Brs, Qdc, Pf08 [Parker Bh3f]	1	
▽	23	375322	(000000–) Fitting Kit, Hose, Garden	1
▲	24	01316	(000000–) Washer, Flat, 0.66b 1.00d .12, Rbr	1
	25	1016837	(000000–) Bracket, Mtg, Valve	1
26	08716	(000000–) Screw, Hex, M6 X 1.0 X 20, Ss	2	
27	01684	(000000–) Washer, Flat, 0.25, Ss	2	
28	08712	(000000–) Nut, Hex, Lock, M6 X 1.00, Ss, NI	2	
29	1015044	(000000–) Hose, Afmkt, Pvc, Brd 0.75id 12ft	1	

Fig. 2 – ES Tanks Group

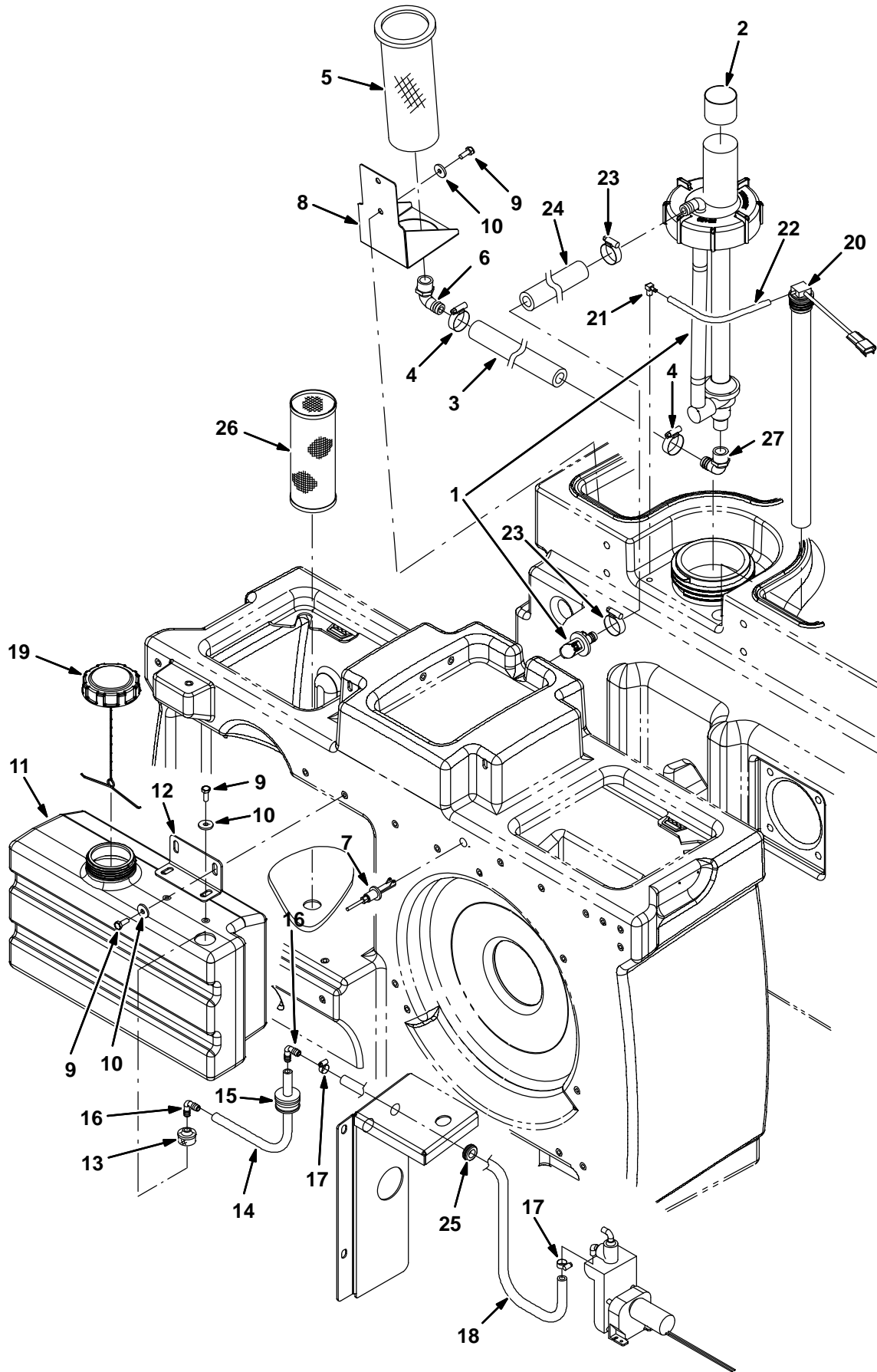


Fig. 2 – ES Tanks Group

Ref.	Part No.	Serial Number	Description	Qty.
1	1021210	(000000–) Pump Assy, Column, Es (See Breakdowns)	1
2	1028697	(000000–) Sleeve, Rbr, 3.50b 3.58d 1.8l	1
3	1015033	(000000–) Hose, Afmkt, Pvc, Brd 0.62id 01ft	1
4	63810	(000000–) Clamp, Hose, Wormdrive, 0.56–1.06d, .56w	2
5	386652	(000000–) Strainer, Soltn, 20 Mesh, Cyl 3.5d 9.5l	1
6	24543	(000000–) Fitting, Plstc, E90, Bm12/Pf12	1
7	385685	(000000–) Sensor, Level, Liq, 14vdc 01a .62–11	1
8	1019636	(000000–) Bracket, Mtg, Strainer	1
9	09740	(000000–) Screw, Hex, M8 X 1.25 X 20, Ss	6
10	1017218	(000000–) Washer, Flat, 0.32b 1.00d .12, Ss	6
11	1022229	(000000–) Tank, Detgt, Trimmed	1
12	1025159	(000000–) Bracket, Mtg, Detgt And Spray Wand	1
13	20952	(000000–) Screen, Pump	1
14	1014974	(000000–) Hose, Afmkt, Pvc, Brd 0.38id 02ft	1
15	20944	(000000–) Grommet, Pye, 0.37id, F/1.5h, .13 Matl	1
16	20951	(000000–) Fitting, Plstc, E90, Bm06/Bm06	2
17	43844	(000000–) Clamp, Hose, Wormdrive, 0.25–0.62d, .31w	2
18	41295	(000000–) Hose, Pvc, Clr, 0.38id 0.56od 48.00l	1
19	1011885	(000000–) Cap, Tank	1
20	1072877	(000000–) Switch Assy, Press, 3.0, 17.5l Tube	1
21	32183	(000000–) Fitting, Brs, E90, Pm02/Bm03	1
22	1031572	(000000–) Hose, Afmkt, Vacuum, 0.16id, 01ft	1
23	63810	(000000–) Clamp, Hose, Wormdrive, 0.56–1.06d, .56w	2
24	1015033	(000000–) Hose, Afmkt, Pvc, Brd 0.62ld, 01Ft, Clr	1
25	10632–2	(000000–) Grommet, Rbr, 0.62id, F/0.9h, .12 Matl	1
26	1039019	(000000–) Filter, Soltn, 020mesh, Pm12 3.2d 08.0l	1
27	14877	(000000–) Fitting, Plstc, E90, Bm12/Pm12	1

Fig. 3 – Side Brush Motor Group (000000–002115)

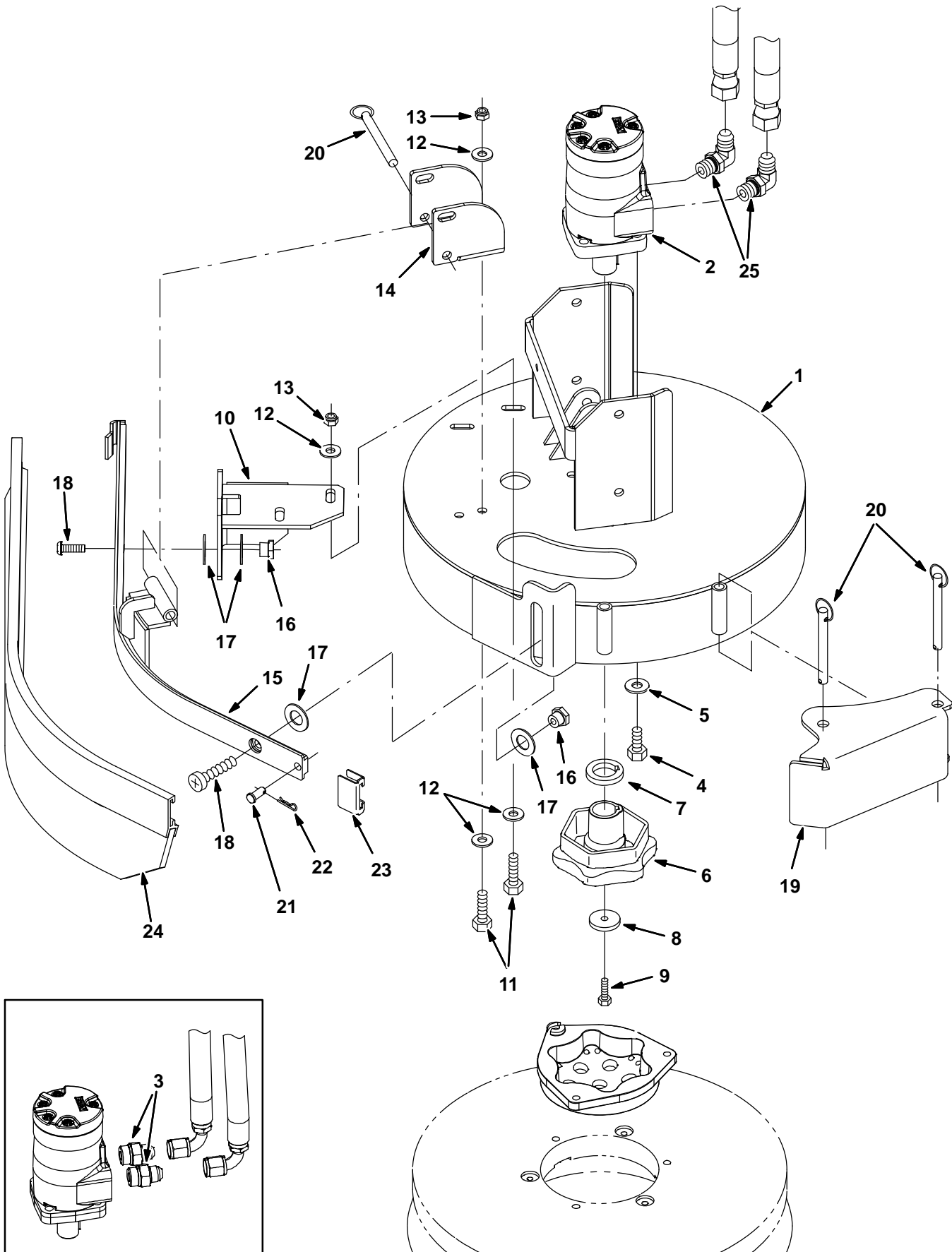


Fig. 3 – Side Brush Motor Group (000000–002115)

Ref.	Part No.	Serial Number	Description	Qty.
1	1021794	(000000–002115)	Bracket Wldt, Mtg, Side Brush	1
2	1029379	(000000–002115)	Motor, Hyd, Gear, Int 08.9 Bi–Dir 2500 (See Breakdowns)	1
3	56692	(000000–001037)	Fitting, Hyd, Str, Jm08/Om10	2
4	01762	(000000–002115)	Screw, Hex, .38–16 X 0.75, NI	4
5	32492	(000000–002115)	Washer, Flat, 0.38 Std	4
6	1042968	(000000–002115)	Hub, Drive, Brush, Disk, 1.00b [6t]	1
7	25611	(000000–002115)	Spacer, Hub, Keyed	1
8	19191	(000000–002115)	Spacer	1
9	25046	(000000–002115)	Screw, Hex, .25–20 X 1.00, 5	1
10	1022135	(000000–002115)	Bracket, Mtg, Sqge	1
11	09010	(000000–002115)	Screw, Hex, M8 X 1.25 X 25, Ss	4
12	01685	(000000–002115)	Washer, Flat, 0.31, Ss	8
13	08713	(000000–002115)	Nut, Hex, Lock, M8 X 1.25, NI, Ss	4
14	1022188	(000000–002115)	Bar, Retainer	1
15	1022111	(000000–002115)	Frame Wldt, Sqge, Side Brush	1
16	1022302	(000000–002115)	Nut, T, M8 X 1.25 X 14.5od X 9.5l	2
17	64425	(000000–002115)	Washer, Thrust, 0.61b 1.25d .06, Fgl	4
18	223470	(000000–002115)	Screw, Btn, M8 X 1.25 X 25, Ss	2
19	1022260	(000000–002115)	Bumper Wldt, Brush, Side	1
20	369359	(000000–002115)	Pin, Hitch, .375d X 3.12l, PI	3
21	46800	(000000–002115)	Pin, Clevis, 0.31d X 0.75l	1
22	08179	(000000–002115)	Pin, Cotter, .094 X 1.00	1
23	86759	(000000–002115)	Retainer, Sqge	1
24	1025005	(000000–002115)	Squeegee Assy, Sba, Linatex	1
24	1027716	(000000–002115)	Squeegee Assy, Sba, Ure	1
25	56821	(001038–002115)	Fitting, Hyd, E90, Jm08/Om10	1

Fig. 4 – Side Brush Motor Group (002116-)

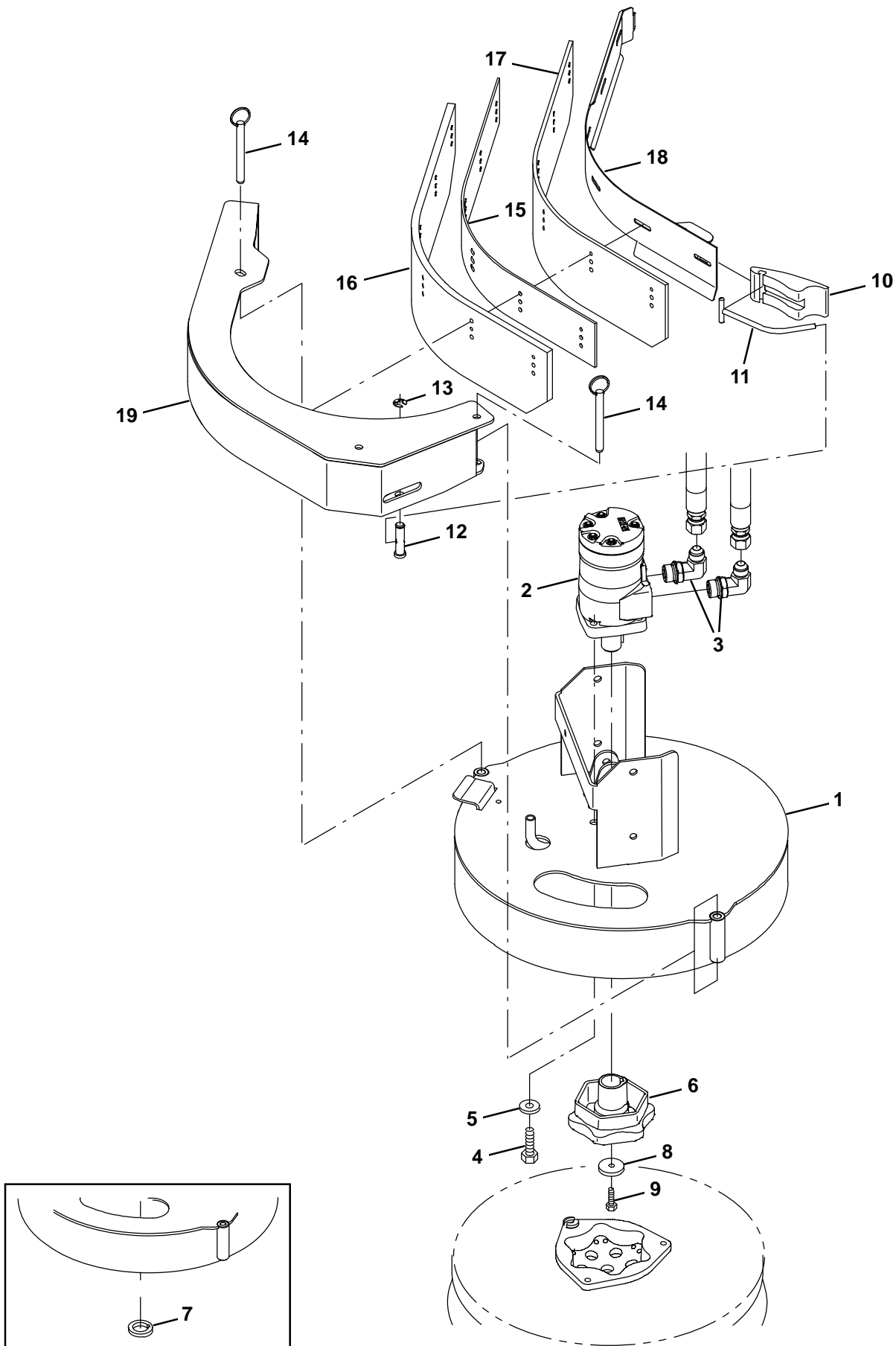


Fig. 4 – Side Brush Motor Group (002116–)

Ref.	Part No.	Serial Number	Description	Qty.
	1	1047002	(002116–) Bracket Wldt, Mtg, Side Brush Fixed	1
	2	1029379	(002116–002989) Motor, Hyd, Gear, Int 08.9 Bi-Dir 2500 (See Breakdowns)	1
▽	2	1068812	(002990–) Motor, Hyd, Gear, Int 08.9 Bi-Dir 2500	1
▲		22615	(002990–) Seal Kit, Motor [CI]	1
	3	56821	(002116–) Fitting, Hyd, E90, Jm08/Om10	2
	4	01762	(002116–) Screw, Hex, .38–16 X 0.75, NI	4
	5	32492	(002116–) Washer, Flat, 0.38 Std	4
	6	1042968	(002116–) Hub, Drive, Brush, Disk, 1.00b [6t]	1
	7	25611	(002116–002989) Spacer, Hub, Keyed	1
	8	19191	(002116–) Spacer	1
	9	25046	(002116–) Screw, Hex, .25–20 X 1.00, 5	1
	10	21601	(002116–) Cam, Front	1
	11	386298	(002116–) Pin Wldt, Front	1
	12	21603	(002116–) Pin, Grvd, 0.43d 01.8l [303ss]	1
	13	24555	(002116–) Ring, Retaining, Ext, 0.38d, [E-Ring]	1
	14	369359	(002116–) Pin, Hitch, .375d X 3.12l, PI	2
	15	1046995	(002116–) Spacer, Sqge, Side Brush, Rbr	1
	16	1046980	(002116–) Blade, Sqge, Side Brush, Linatex	1
	16	1059091	(002116–) Blade, Sqge, Side Brush, Urethane	1
	17	1047238	(002116–) Blade, Sqge, Side Brush, Linatex	1
	17	1059092	(002116–) Blade, Sqge, Side Brush, Urethane	1
	18	1047060	(002116–) Plate Wldt, Retainer, Sqge	1
	19	1046976	(002116–) Bumper Wldt, Brush, Side	1

Fig. 5 – Side Brush Lift Group

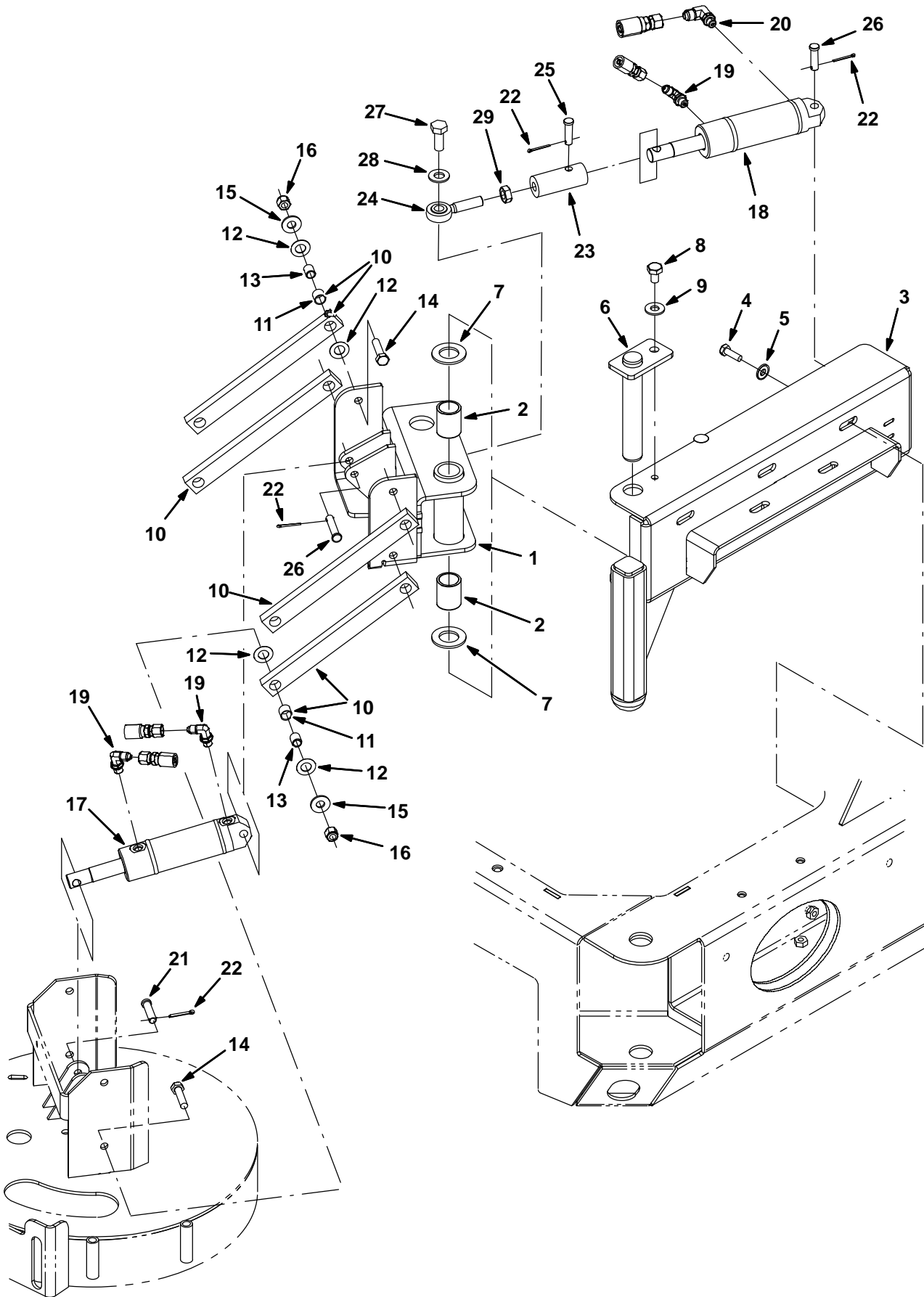


Fig. 5 – Side Brush Lift Group

Ref.	Part No.	Serial Number	Description	Qty.
1	1021439	(000000–) Pivot Wldt, Brush, Side	1
2	71868	(000000–) Bushing, Sleeve, 1.00b 1.13d 1.50l, Fgl	2
3	1021473	(000000–) Channel Wldt, Pivot	1
4	09010	(000000–) Screw, Hex, M8 X 1.25 X 25, Ss	5
5	41186	(000000–) Washer, Flat, Belleville, .31	5
6	1021617	(000000–) Pin Wldt	1
7	71869	(000000–) Washer, Thrust, 1.00b 1.75d 0.13w, Fbr	2
8	16735	(000000–) Screw, Hex, M8 X 1.25 X 16, 8.8	1
9	32491	(000000–) Washer, Flat, 0.31, Std	1
▽	10	63175–1	(000000–) Arm, Link	4
▲	11	63233	(000000–) Bushing, Sleeve, 0.50b 0.59d 0.50l, Bnz	2
	12	59633	(000000–) Bearing, Thrust, 0.53b 1.00d 0.03w	16
	13	1027926	(000000–) Sleeve, P/M, 0.37b 0.50d 0.6l [430ss]	8
	14	36845	(000000–) Screw, Hex, .38–16 X 1.50, Ss	8
	15	01685	(000000–) Washer, Flat, 0.31, Ss	8
	16	59156	(000000–) Nut, Hex, Lock, .38–16, NI, Ss	8
	17	1038137	(000000–) Cylinder, Hyd, 1.5b 07.8l 02.80strk 2500	1
	18	1038115	(000000–) Cylinder, Hyd, 1.5b 07.8l 02.75strk 2500	1
	19	77097	(000000–) Fitting, Hyd, E90, Jm04/Om04	3
	20	77098	(000000–) Fitting, Hyd, E90, Jm06/Om04	1
	21	29558	(000000–) Pin, Clevis, 0.37d X 1.50l	1
	22	08179	(000000–) Pin, Cotter, .094 X 1.00	4
	23	1021564	(000000–) Adapter, Rod–End, Side Brush	1
	24	71874	(000000–) Rod–End, .50–20rh Mal 0.50b	1
	25	29557	(000000–) Pin, Clevis, 0.37d X 1.31l	1
	26	17461	(000000–) Pin, Clevis, 0.37d X 1.75l	2
	27	41346	(000000–) Screw, Hex, M12 X 1.75 X 30, 8.8	1
	28	32486	(000000–) Washer, Flat, 0.50 Sae	1
	29	48985	(000000–) Nut, Hex, Jam, .50–20	1

Fig. 6 – Side Brush Solution Control Group

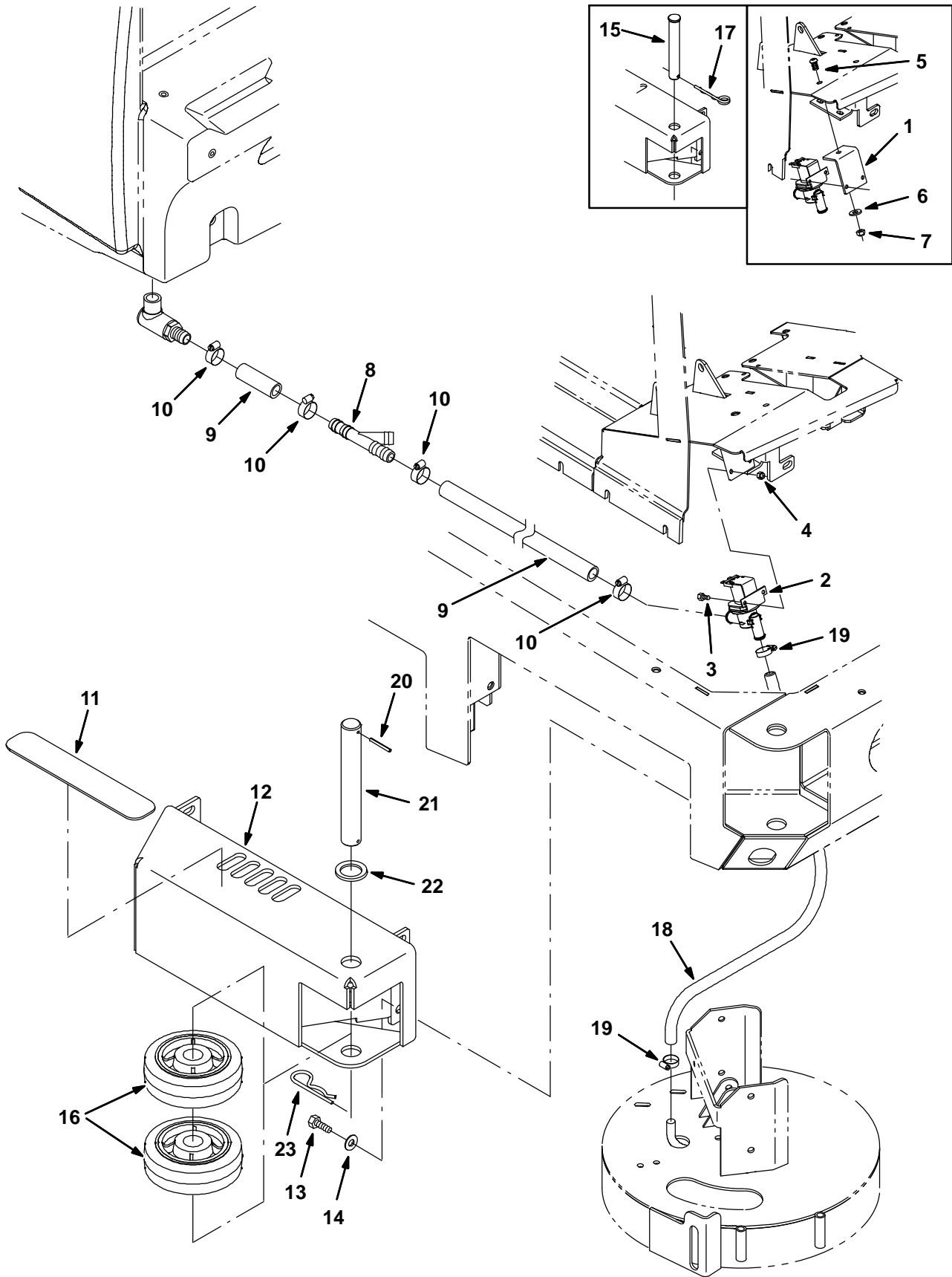


Fig. 6 – Side Brush Solution Control Group

Ref.	Part No.	Serial Number	Description	Qty.
1	1040834	(000000-001602)	Angle, Mtg, Valve	1
2	1022106	(000000-)	Valve Assy, Water, Solenoid, 12vdc	1
3	09738	(000000-)	Screw, Hex, M5 X 0.8 X 12, Ss	2
4	09739	(000000-)	Nut, Hex, Lock, M5 X 0.8, NI, Ss	2
5	17284	(000000-001602)	Screw, Btn, M8 X 1.25 X 16, Ss	1
6	32491	(000000-001602)	Washer, Flat, 0.31, Std	1
7	08713	(000000-001602)	Nut, Hex, Lock, M8 X 1.25, NI, Ss	1
8	393255	(000000-)	Fitting, Plstc, Tee, Bm12/Bm12/Bm12	1
9	1015045	(000000-)	Hose, Afmkt, Pvc, Brd 0.75id 08ft	1
10	63810	(000000-)	Clamp, Hose, Wormdrive, 0.56-1.06d, .56w	4
11	82839	(000000-)	Tread, Non-Skid, 02.2w 11.5l	1
12	1022318	(000000-)	Guard Wldt, Brush, Side	1
13	12317	(000000-)	Screw, Hex, M10 X 1.5 X 30, Ss	4
14	01686	(000000-)	Washer, Flat, 0.44b 1.00d .08, Ss	4
15	9006334	(000000-002102)	Pin Kit, Wheel, Ci [M20/T20/M30]	1
16	1060130	(000000-)	Wheel, 06.0D 2.00W 1.19B, Gray Rbr	2
17	761490	(000000-002102)	Pin, Cotter, Hair, Dbl	1
18	50178	(000000-)	Hose, Pvc, Clr, 0.50id 0.69od 26.00l	1
19	54333	(000000-)	Clamp, Hose, Wormdrive, 0.31-0.88d, .31w	2
20	23146	(002103-)	Pin, Roll, .187d X 1.62l, .187/.192	1
21	1053838	(002103-)	Pin, 30mmd X 215mml	1
22	47719	(002103-)	Washer, Flat, 1.26b 1.88d .13, Stl	1
23	34411	(002103-)	Pin, Cotter, Hair, 1.00d .178 Wir	1

Fig. 7 – Side Brush Hydraulic Valve Group

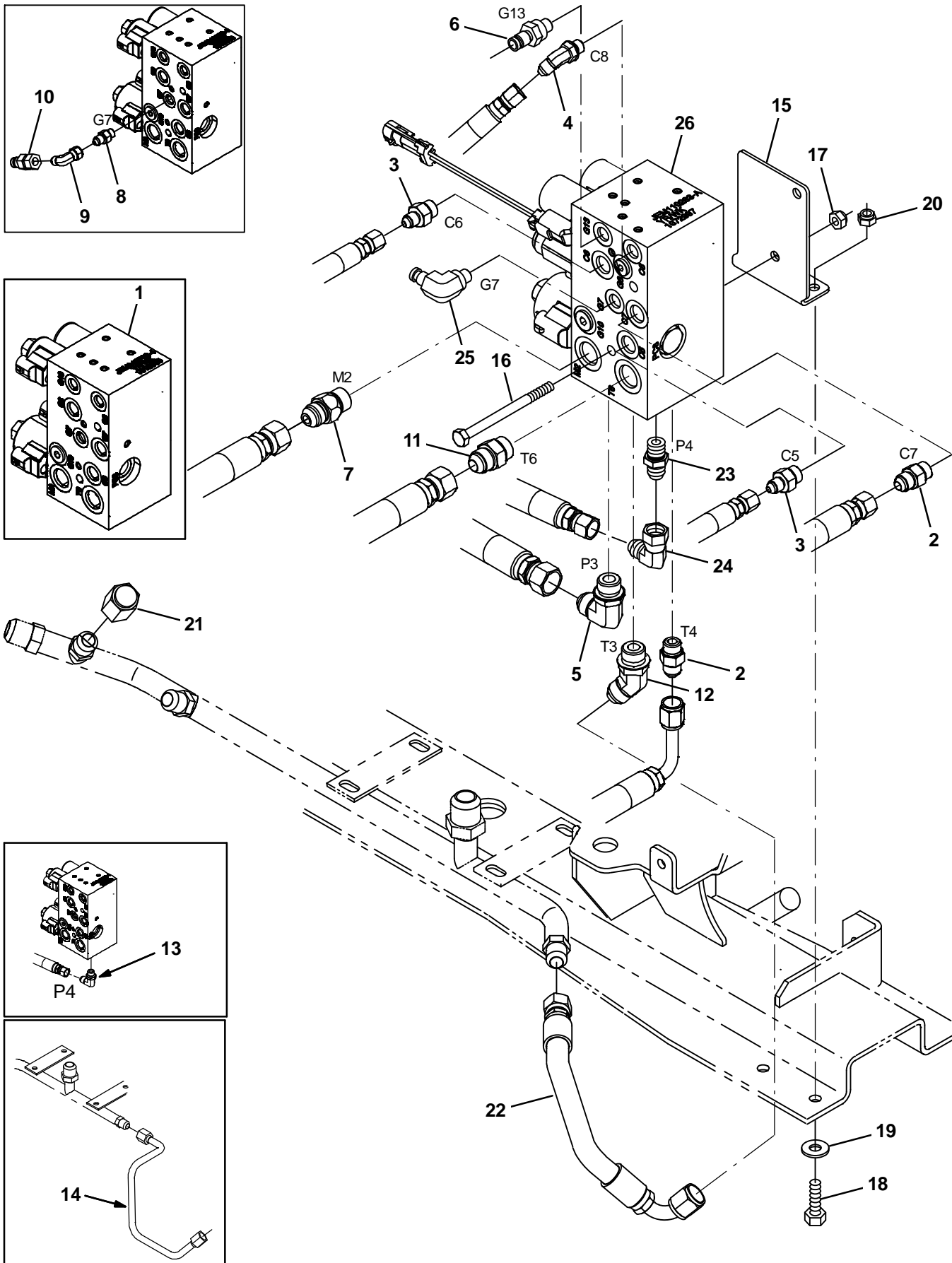


Fig. 7 – Side Brush Hydraulic Valve Group

Ref.	Part No.	Serial Number	Description	Qty.
1	1018938	(000000–001503)	Valve, Cntrl, Hyd [M20 And T20] (See Breakdowns)	1
1	1037805	(001504–005300)	Valve, Hyd, Solenoid 12vdc 3000psi (See Breakdowns)	1
2	56690	(000000–)	Fitting, Hyd, Str, Jm06/Om06	2
3	55685	(000000–)	Fitting, Hyd, Str, Jm04/Om06	2
4	34359	(000000–)	Fitting, Hyd, E45, Jm04/Om04	1
5	44868	(000000–)	Fitting, Hyd, E90, Jm08/Om08	1
6	395973	(000000–)	Fitting, Hyd, Str, Om04/Qm04	1
7	1026119	(000000–)	Valve, Hyd, Check, Jm08/Om08 5000psi	1
8	55586	(000000–002049)	Fitting, Hyd, Str, Jm04/Om04	1
9	39210	(000000–002049)	Fitting, Hyd, E90, Jf04/Jm04	1
10	396476	(000000–002049)	Fitting, Hyd, Str, Jf04/Qm04	1
11	44869	(000000–)	Fitting, Hyd, Str, Jm08/Om08	1
12	42226	(000000–)	Fitting, Hyd, E45, Jm08/Om08	1
13	56820	(000000–001503)	Fitting, Hyd, E90, Jm06/Om06	1
14	1025405	(000000–001040)	Tube, Hyd, 08 Jf08/Jf08	1
15	1045272	(000000–)	Bracket, Valve, Sba [M20 And T20]	1
16	364441	(000000–)	Screw, Hex, M8 X 1.25 X 110, Ss	2
17	08709	(000000–)	Nut, Hex, Lock, M8 X 1.25, NI	2
18	09010	(000000–)	Screw, Hex, M8 X 1.25 X 25, Ss	2
19	32491	(000000–)	Washer, Flat, 0.31, Std	2
20	08713	(000000–)	Nut, Hex, Lock, M8 X 1.25, NI, Ss	2
21	60090	(000000–)	Fitting, Hyd, Cap, Jf08	1
22	1037011	(001041–)	Hose, Hyd, Tc08, Jf08str/Jf08e90, 012.0	1
23	56690	(001504–)	Fitting, Hyd, Str, Jm06/Om06	1
24	47504	(001504–)	Fitting, Hyd, E90, Jf06/Jm06	1
25	395974	(002050–)	Fitting, Hyd, E90, Om04/Qm04	1
26	1072997	(005301–)	Valve, Cntrl, Hyd, Solenoid, 03/16gpm (See Breakdowns)	1

Fig. 8 – Side Brush Hydraulic Hose Group

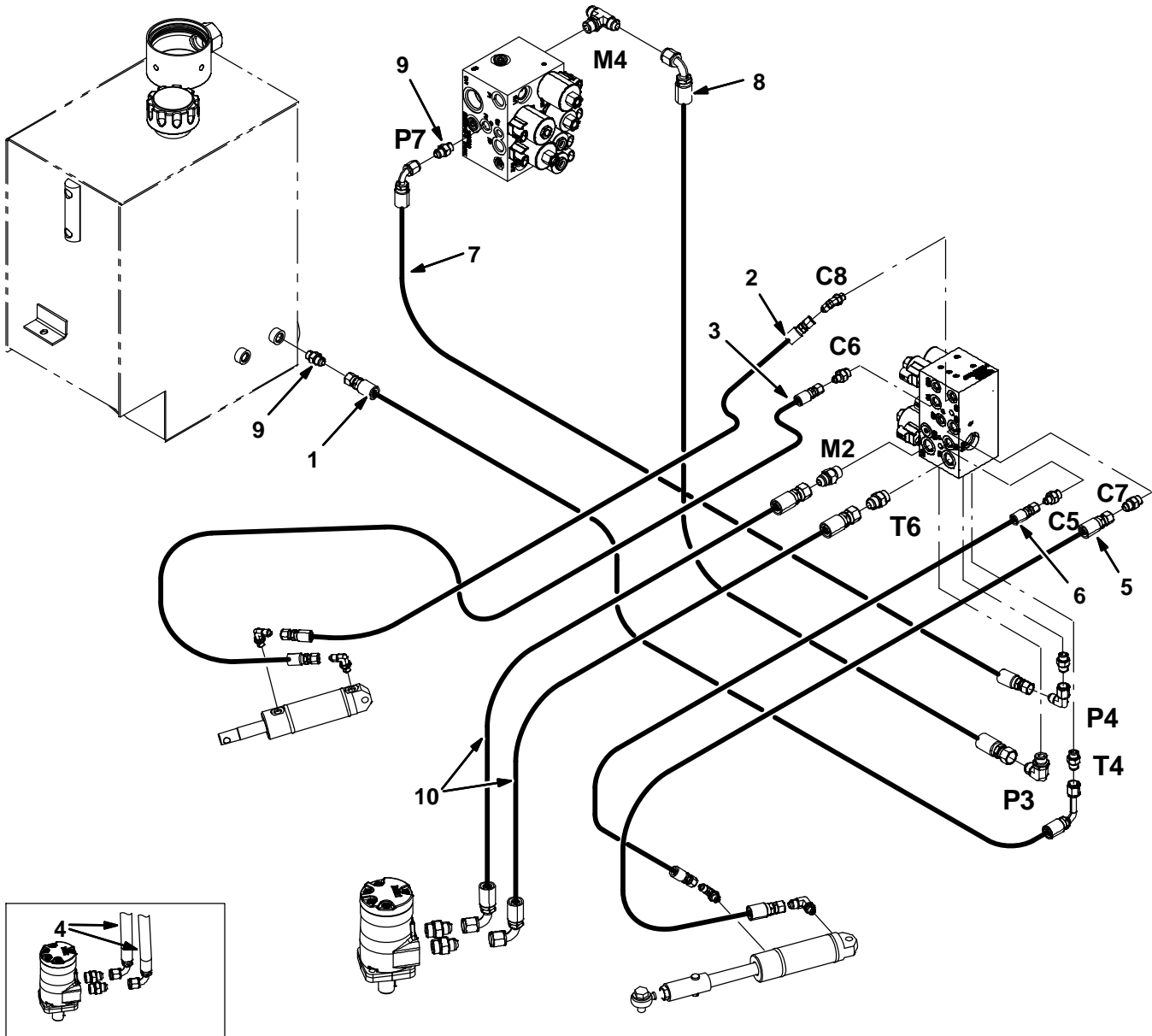


Fig. 8 – Side Brush Hydraulic Hose Group

Ref.	Part No.	Serial Number	Description	Qty.
1	361047	(000000–)	Hose, Hyd, Med06, Jf06e90l/Jf06str,038.0	1
2	1023485	(000000–)	Hose, Hyd, Tc06, Jf06str/Jf06str, 033.0	1
3	1025990	(000000–)	Hose, Hyd, Tc04, Jf04str /Jf04str, 39.0	1
4	1023486	(000000–001037)	Hose, Hyd, Tc08, Jf08e90/Jf08str, 034.0	2
5	1025991	(000000–)	Hose, Hyd, Tc06, Jf06str /Jf06str, 23.0	1
6	1025992	(000000–)	Hose, Hyd, Tc04, Jf04str /Jf04str, 20.0	1
7	1025445	(000000–004999)	Hose, Hyd, Tc06, Jf06str /Jf06e90, 74.0	1
7	1036906	(005000–)	Hose, Hyd, Tc06, Jf06str /Jf06e90, 74.0	1
8	1028270	(000000–)	Hose, Hyd, Tc08, Jf08e90/Jf08str, 084.0	1
9	56690	(000000–)	Fitting, Hyd, Str, Jm06/Om06	2
10	1036965	(001038–)	Hose, Hyd, Tc08, Jf08Str/Jf08Str, 034.0	2

Fig. 9 – FaST Solution Pump Group (000000–001742)

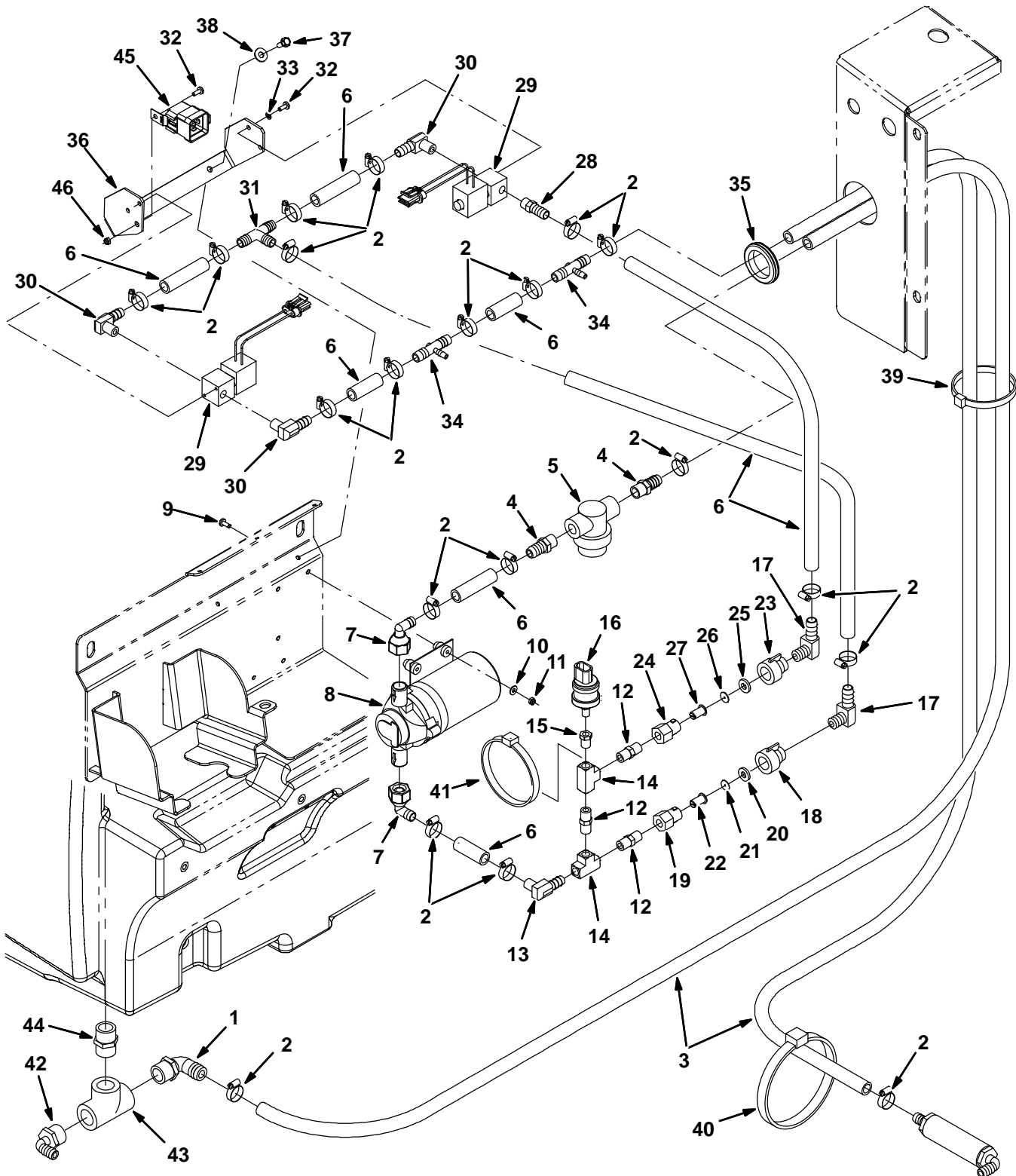


Fig. 9 – FaST Solution Pump Group (000000–001742)

Ref.	Part No.	Serial Number	Description	Qty.	
1	1005552	(000000–001742)	Fitting, Plstc, E90, Bm08/Pm12, Nyl	1	
2	54333	(000000–001742)	Clamp, Hose, Wormdrive, 0.31–0.88d, .31w	1	
3	1011412	(000000–001742)	Hose, Afmkt, Pvc, Brd 0.50id 08ft	1	
4	64743	(000000–001742)	Fitting, Plstc, Str, Bm08/Pm06	2	
5	1005302	(000000–001742)	Filter, In–Line, Pf06/Pf06, 80 Mesh	1	
6	1006401	(000000–001742)	Hose, Afmkt, Pvc, Brd 0.50id 03ft	1	
7	1018499	(000000–001742)	Fitting, Plstc, E90, Bm08/Pf08s, Swivel	2	
8	1030878	(000000–001742)	Pump, Soltn, Ele, 12vdc [W/O Chk Valve]	1	
9	17185	(000000–001742)	Screw, Pan, M5 X 0.8 X 40, Ss	4	
10	01683	(000000–001742)	Washer, Flat, #10, Ss	4	
11	09739	(000000–001742)	Nut, Hex, Lock, M5 X 0.8, NI, Ss	4	
12	398468	(000000–001742)	Fitting, Brs, Str, Pm04/Pm04	3	
13	1010836	(000000–001742)	Fitting, Brs, E90, Bm08/Pm04	1	
14	398474	(000000–001742)	Fitting, Brs, Tee, Pf04/Pf04/Pf04	2	
15	150100	(000000–001742)	Fitting, Brs, Str, Pf02/Pm04	1	
16	1028582	(000000–001742)	Switch, Press, 10psi, Spst	1	
17	1010836	(000000–001742)	Fitting, Brs, E90, Bm08/Pm04	2	
▽	1030864	(000000–001742)	Fitting Assy, Orifice, 0.070b, Pf04/Pf04	1	
▲	18	1005506	(000000–001742)	Fitting, Plstc, Cap, Spray, Pf04	1
▲	19	1005507	(000000–001742)	Fitting, Plstc, Body, Spray, Pf04	1
▲	20	1005508	(000000–001742)	Washer, Flat, 0.34b 0.75d .12 [Viton]	1
▲	21	1018883	(000000–001742)	Plate, Orifice, 0.070id	1
▲	22	1006447	(000000–001742)	Filter, Screen, 50 Mesh .59d .8l Ss	1
▽	1030863	(000000–001742)	Fitting Assy, Orifice, 0.093b, Pf04/Pf04	1	
▲	23	1005506	(000000–001742)	Fitting, Plstc, Cap, Spray, Pf04	1
▲	24	1005507	(000000–001742)	Fitting, Plstc, Body, Spray, Pf04	1
▲	25	1005508	(000000–001742)	Washer, Flat, 0.34b 0.75d .12 [Viton]	1
▲	26	1018884	(000000–001742)	Plate, Orifice, 0.093id	1
▲	27	1006447	(000000–001742)	Filter, Screen, 50 Mesh .59d .8l Ss	1
28	762249	(000000–001742)	Fitting, Brs, Str, Bm08/Pm04	1	
29	1018098	(000000–001742)	Valve, Water, 12vdc, 6.0mm, 04pf	2	
30	1010836	(000000–001742)	Fitting, Brs, E90, Bm08/Pm04	3	
31	63245–1	(000000–001742)	Fitting, Plstc, Tee, Bm08/Bm08/Bm08	1	
32	09200	(000000–001742)	Screw, Pan, M5 X 0.8 X 12, Ss	5	
33	07514	(000000–001742)	Washer, Lock, Int, #10, Ss	4	
34	1010684	(000000–001742)	Fitting, Plstc, Tee, Bm04/Bm08/Bm08, Br	2	
35	10632–19	(000000–001742)	Grommet, Rbr, 2.13id, F/2.5h, .12 Matl	1	
36	1026074	(000000–001742)	Plate, Hsng [FaST]	1	
37	361339	(000000–001742)	Screw, Hex, M6 X 1.0 X 16, Fmg	4	
38	32490	(000000–001742)	Washer, Flat, 0.25 Std	4	
39	49266	(000000–001742)	Tie, Cable, Nyl, 07.3l .19w 1.8 Max D	1	
40	763116	(000000–001742)	Tie, Cable, Nyl, 15.3l . W 4.5 Max D	1	
41	763114	(000000–001742)	Tie, Cable, 11.3l, 2.75d Max	1	
42	14877	(000000–001742)	Fitting, Plstc, E90, Bm12/Pm12	1	
43	42133A	(000000–001742)	Fitting, Plstc, Tee, Pf12/Pf12/Pf12	1	
44	24544	(000000–001742)	Fitting, Plstc, Str, Pm12/Pm12 1.60l	1	
45	56186	(000000–001742)	Relay, 12vdc, 40a, Spdt N/O	1	
46	09739	(000000–001742)	Nut, Hex, Lock, M5 X 0.8, NI, Ss	1	

Fig. 10 – FaST Air Pump and Detergent Group (000000-001742)

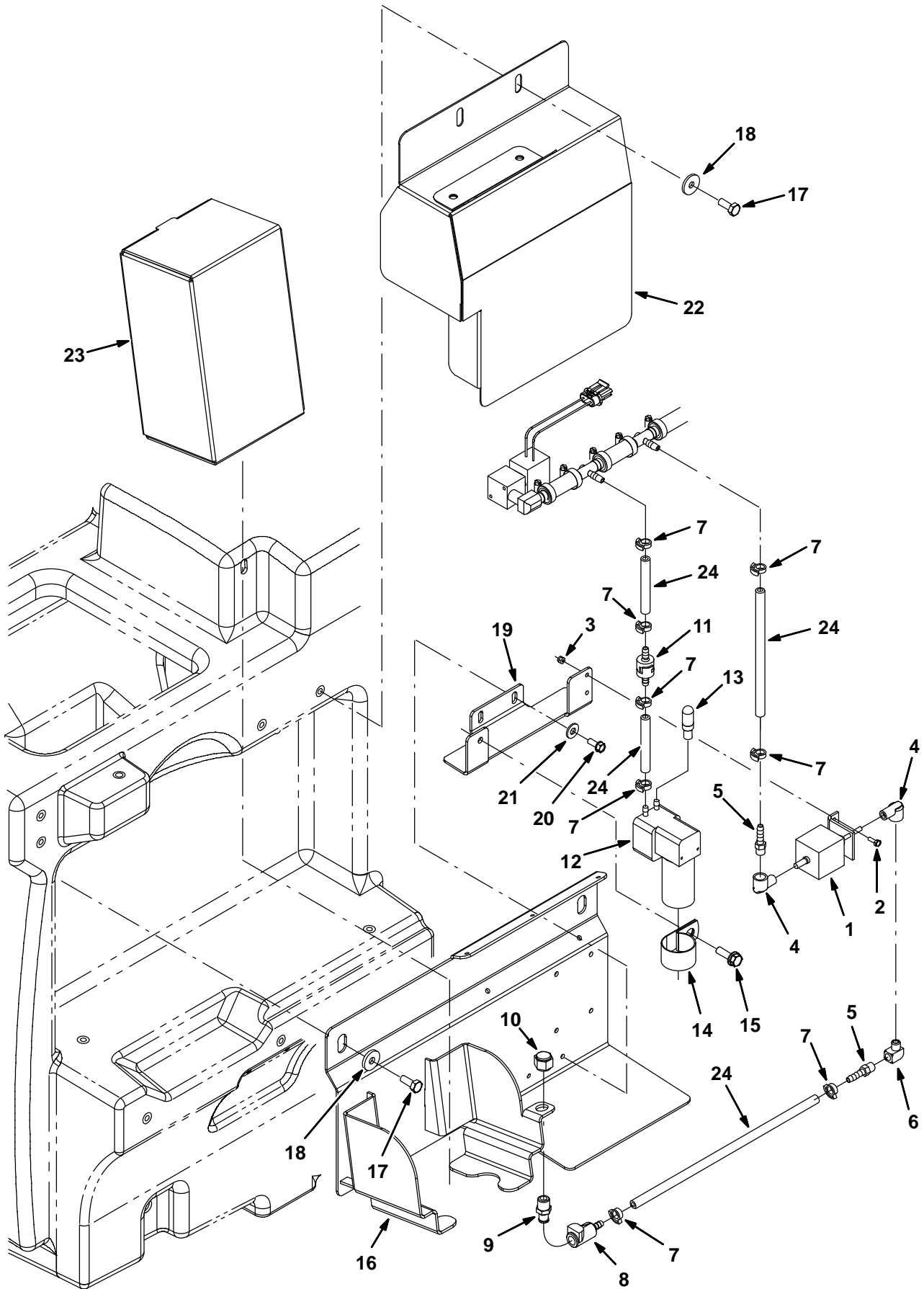


Fig. 10 – FaST Air Pump and Detergent Group (000000–001742)

Ref.	Part No.	Serial Number	Description	Qty.
1	1018097	(000000–001742)	Pump, Detgt, 12vdc	1
2	09206	(000000–001742)	Screw, Hex, M4 X 0.7 X 12, 8.8	2
3	02850	(000000–001742)	Nut, Hex, Lock, M4 X 0.7, NI	2
4	1014082	(000000–001742)	Fitting, Brs, E90, Cf03/Pf02	2
5	150525	(000000–001742)	Fitting, Brs, Str, Bm04/Pm02	2
6	11984	(000000–001742)	Fitting, Pipe, E90, Pf02/Pm02	1
7	1014575	(000000–001742)	Clamp, Hose, Plstc .351–.394 Id	8
8	1002898	(000000–001742)	Fitting, Plstc, Str, Bm04, Cplg, Fem	1
9	1002899	(000000–001742)	Fitting, Plstc, Str, Pm04, Cplg, Mal	1
10	1005435	(000000–001742)	Fitting, Plstc, Pipe, Cap, Pf04	1
11	1013902	(000000–001742)	Valve, Check, 0002psi Bm04/Bm04	1
12	1018780	(000000–001742)	Pump, Air, Ele, 12vdc	1
13	1005255	(000000–001742)	Filter Assy, Air, Mold, Ure	1
14	53466	(000000–001742)	Clamp, Cable, Stl, 1.50d X 1.00w, 1h	1
15	76099	(000000–001742)	Screw, Hex, M8 X 1.25 X 25, Fmg	1
16	1026067	(000000–001742)	Bracket Wldt, Mtg [FaST]	1
17	09740	(000000–001742)	Screw, Hex, M8 X 1.25 X 20, Ss	4
18	1017218	(000000–001742)	Washer, Flat, 0.32b 1.00d .12, Ss	4
19	1029118	(000000–001742)	Bracket, Mtg [FaST]	1
20	361339	(000000–001742)	Screw, Hex, M6 X 1.0 X 16, Fmg	2
21	32490	(000000–001742)	Washer, Flat, 0.25 Std	2
22	1033297	(000000–001742)	Cover Wldt [FaST]	1
23	1021878	(000000–001742)	Detergent Pkg, 4 Liter, Sgl [Tco 665]	1
24	1006415	(000000–001742)	Hose, Afmkt, Pvc, Clr 0.25id 03ft	1

Fig. 11 – FaST Foam Filter Group, Cylindrical Scrub Head (000000–001742)

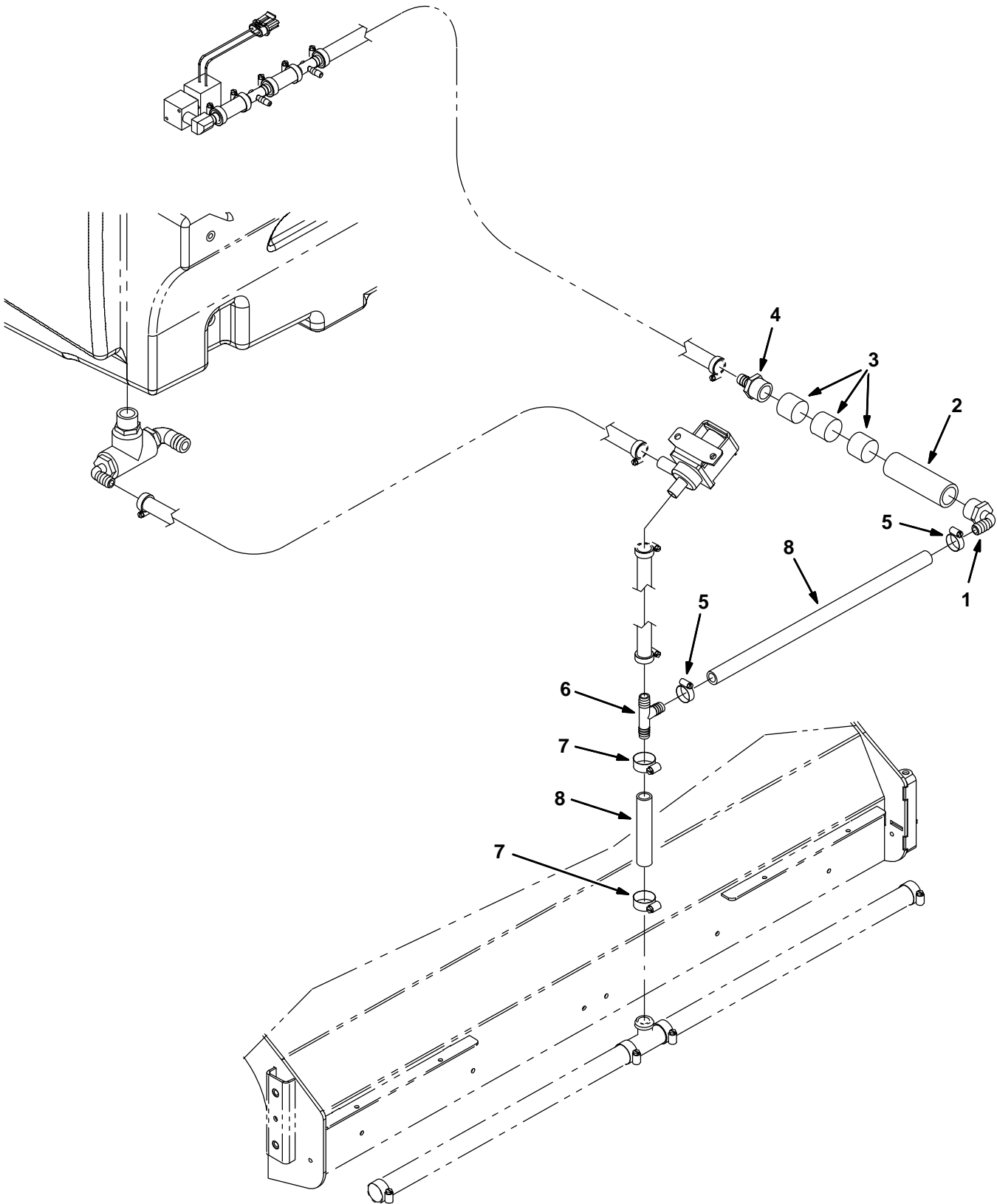


Fig. 11 – FaST Foam Filter Group, Cylindrical Scrub Head (000000–001742)

Ref.	Part No.	Serial Number	Description	Qty.
1	1005552	(000000–001742)	Fitting, Plstc, E90, Bm08/Pm12, Nyl	1
2	1005086	(000000–001742)	Tube, Pvc, Clr, 4.0l [Shc80]	1
3	1002789	(000000–001742)	Filter, Foam, Rbr, 1.20d, 1.0l	3
4	79273–1	(000000–001742)	Fitting, Plstc, Str, Bm08/Pm12	1
5	54333	(000000–001742)	Clamp, Hose, Wormdrive, 0.31–0.88d, .31w	2
6	385644	(000000–001742)	Fitting, Plstc, Tee, Bm08/Bm12/Bm12, Br	1
7	63810	(000000–001742)	Clamp, Hose, Wormdrive, 0.56–1.06d, .56w	2
8	1011521	(000000–001742)	Hose, Afmkt, Pvc, Brd 0.50id 02ft	1

Fig. 12 – FaST Foam Filter Group, Cylindrical Scrub Head with Side Brush (000000–001742)

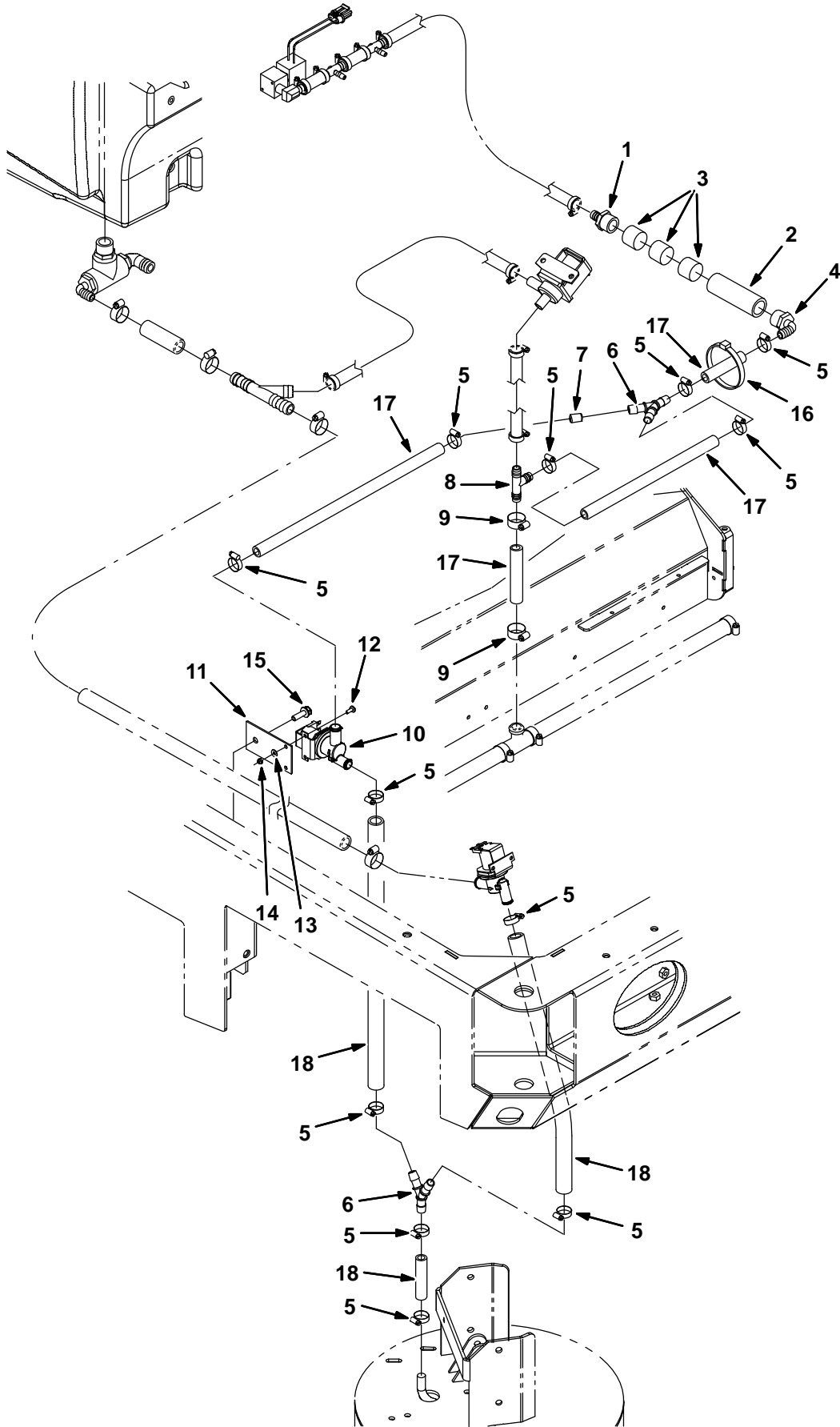


Fig. 12 – FaST Foam Filter Group, Cylindrical Scrub Head with Side Brush (000000–001742)

Ref.	Part No.	Serial Number	Description	Qty.
1	79273-1	(000000–001742)	Fitting, Plstc, Str, Bm08/Pm12	1
2	1005086	(000000–001742)	Tube, Pvc, Clr, 4.0l [Shc80]	1
3	1002789	(000000–001742)	Filter, Foam, Rbr, 1.20d, 1.0l	3
4	1005552	(000000–001742)	Fitting, Plstc, E90, Bm08/Pm12, Nyl	1
5	54333	(000000–001742)	Clamp, Hose, Wormdrive, 0.31–0.88d, .31w	10
6	1010668	(000000–001742)	Fitting, Plstc, Y, Bm08/Bm08/Bm08, Nyl	2
7	1018333	(000000–001742)	Fitting, Plstc, Rst, .50od /.13id	1
8	385644	(000000–001742)	Fitting, Plstc, Tee, Bm08/Bm12/Bm12, Br	1
9	63810	(000000–001742)	Clamp, Hose, Wormdrive, 0.56–1.06d, .56w	2
10	1037825	(000000–001742)	Valve, Solenoid, 12vdc, Water Flow	1
11	1030511	(000000–001742)	Plate, Mtg, Valve	11
12	09200	(000000–001742)	Screw, Pan, M5 X 0.8 X 12, Ss	2
13	01683	(000000–001742)	Washer, Flat, #10, Ss	2
14	09739	(000000–001742)	Nut, Hex, Lock, M5 X 0.8, NI, Ss	2
15	76099	(000000–001742)	Screw, Hex, M8 X 1.25 X 25, Fmg	1
16	763116	(000000–001742)	Tie, Cable, Nyl, 15.3l . W 4.5 Max D	1
17	1011412	(000000–001742)	Hose, Afmkt, Pvc, Brd 0.50id 08ft	1
18	1015067	(000000–001742)	Hose, Afmkt, Pvc, Clr 0.50id 08ft	1

Fig. 13 – FaST Foam Filter Group, Disk Scrub Head (000000-001742)

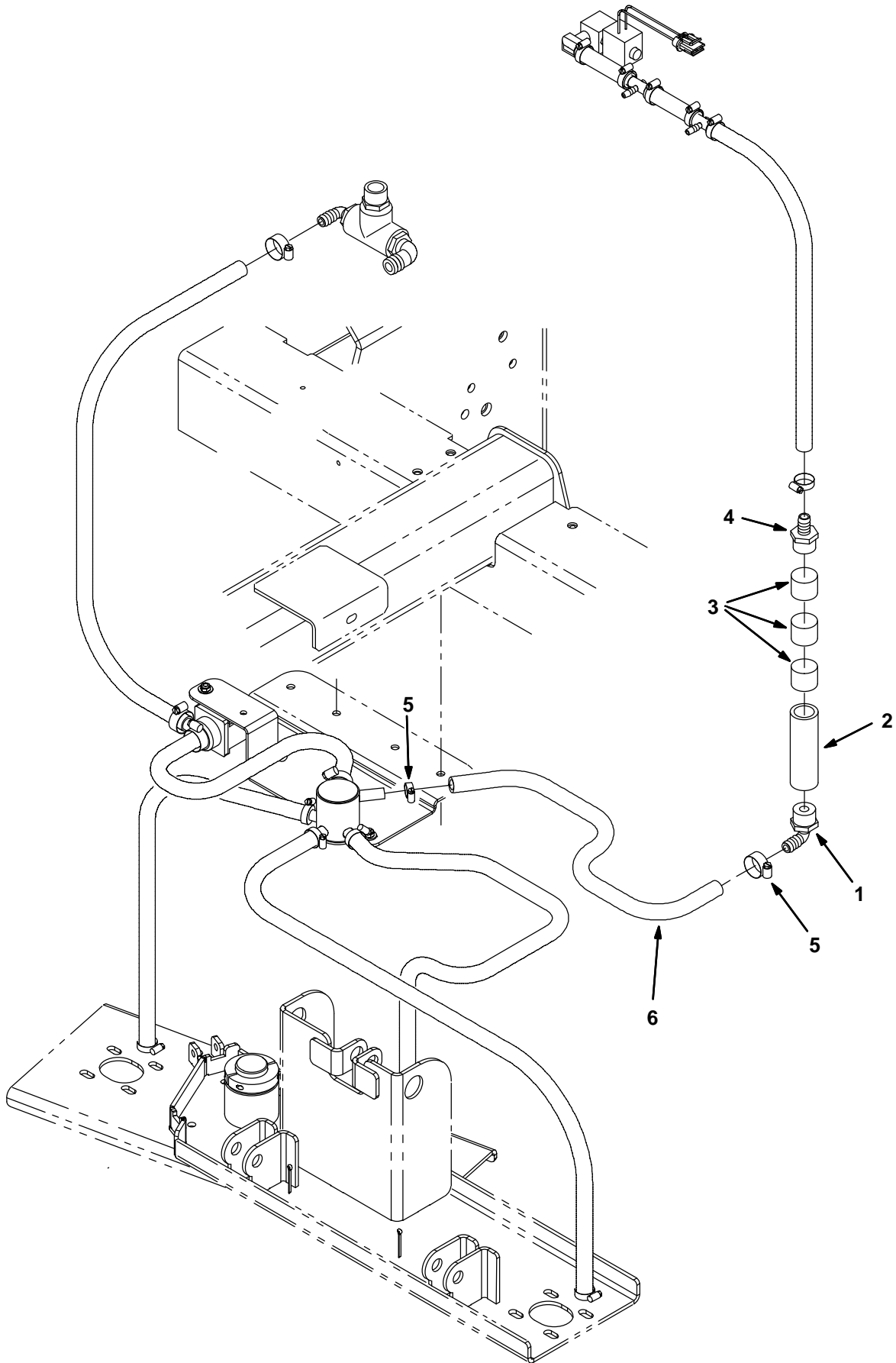


Fig. 13 – FaST Foam Filter Group, Disk Scrub Head (000000–001742)

Ref.	Part No.	Serial Number	Description	Qty.
1	1005552	(000000–001742)	Fitting, Plstc, E90, Bm08/Pm12, Nyl	1
2	1005086	(000000–001742)	Tube, Pvc, Clr, 4.0l [Shc80]	1
3	1002789	(000000–001742)	Filter, Foam, Rbr, 1.20d, 1.0l	3
4	79273–1	(000000–001742)	Fitting, Plstc, Str, Bm08/Pm12	1
5	54333	(000000–001742)	Clamp, Hose, Wormdrive, 0.31–0.88d, .31w	2
6	1011521	(000000–001742)	Hose, Afmkt, Pvc, Brd 0.50id 02ft	1

Fig. 14 – FaST Foam Filter Group, Disk Scrub Head with Side Brush (000000-001742)

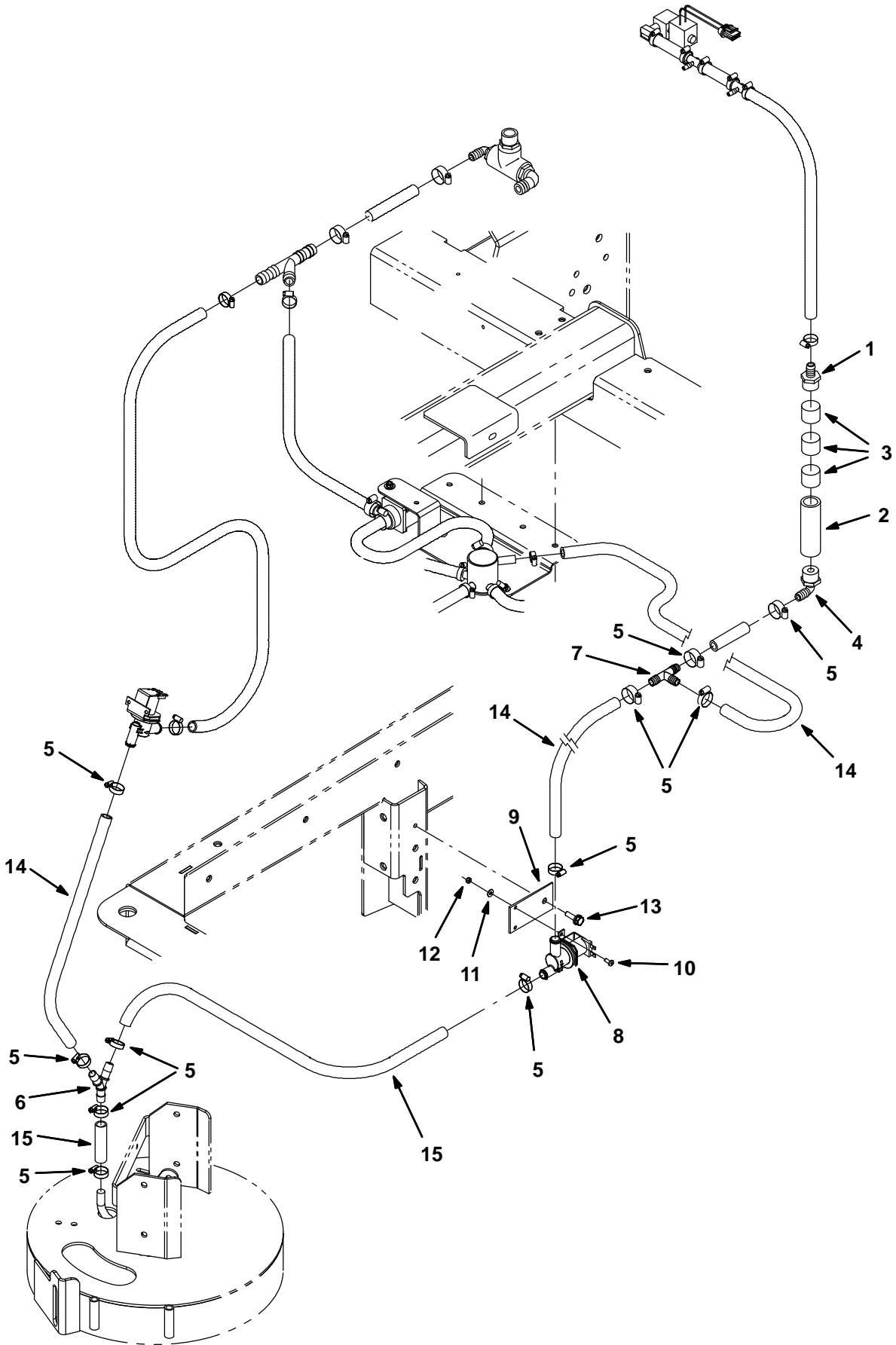


Fig. 14 – FaST Foam Filter Group, Disk Scrub Head with Side Brush (000000–001742)

Ref.	Part No.	Serial Number	Description	Qty.
1	79273-1	(000000–001742)	Fitting, Plstc, Str, Bm08/Pm12	1
2	1005086	(000000–001742)	Tube, Pvc, Clr, 4.0l [Shc80]	1
3	1002789	(000000–001742)	Filter, Foam, Rbr, 1.20d, 1.0l	3
4	1005552	(000000–001742)	Fitting, Plstc, E90, Bm08/Pm12, Nyl	1
5	54333	(000000–001742)	Clamp, Hose, Wormdrive, 0.31–0.88d, .31w	11
6	1010668	(000000–001742)	Fitting, Plstc, Y, Bm08/Bm08/Bm08, Nyl	1
7	63245-1	(000000–001742)	Fitting, Plstc, Tee, Bm08/Bm08/Bm08	1
8	1037825	(000000–001742)	Valve, Solenoid, 12vdc, Water Flow	1
9	1030511	(000000–001742)	Plate, Mtg, Valve	11
10	09200	(000000–001742)	Screw, Pan, M5 X 0.8 X 12, Ss	2
11	01683	(000000–001742)	Washer, Flat, #10, Ss	2
12	09739	(000000–001742)	Nut, Hex, Lock, M5 X 0.8, NI, Ss	2
13	76099	(000000–001742)	Screw, Hex, M8 X 1.25 X 25, Fmg	1
14	1011412	(000000–001742)	Hose, Afmkt, Pvc, Brd 0.50id 08ft	1
15	1015067	(000000–001742)	Hose, Afmkt, Pvc, Clr 0.50id 08ft	1

Fig. 15 – FaST Wire Harness Group (000000–001742)

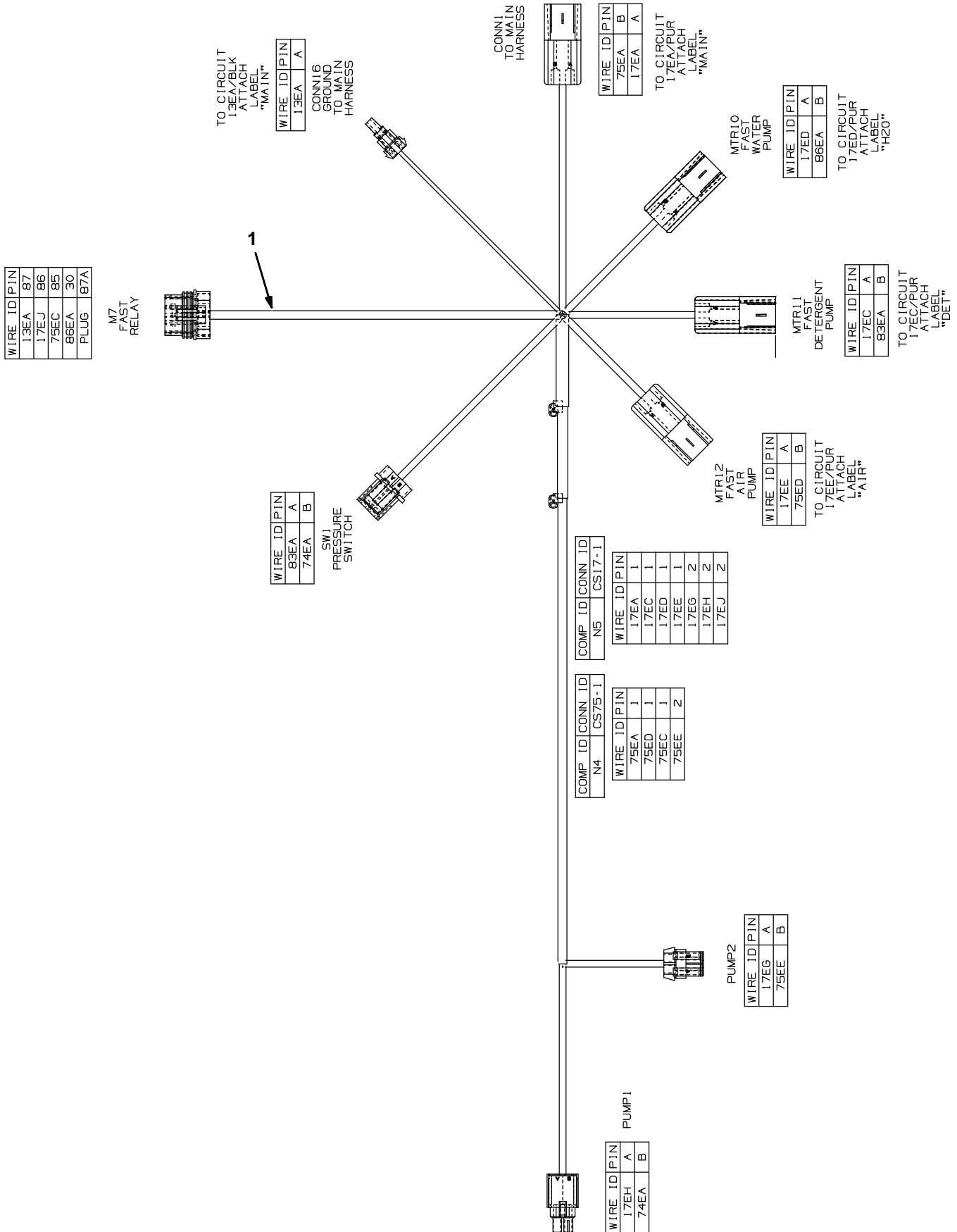


Fig. 15- FaST Wire Harness Group (000000-001742)

Ref.	Part No.	Serial Number	Description	Qty.
1	1019646	(000000-001742)	Harness [FaST, M20 And T20]	1

Fig. 16 – FaST Pumps and Detergent Group (001743–)

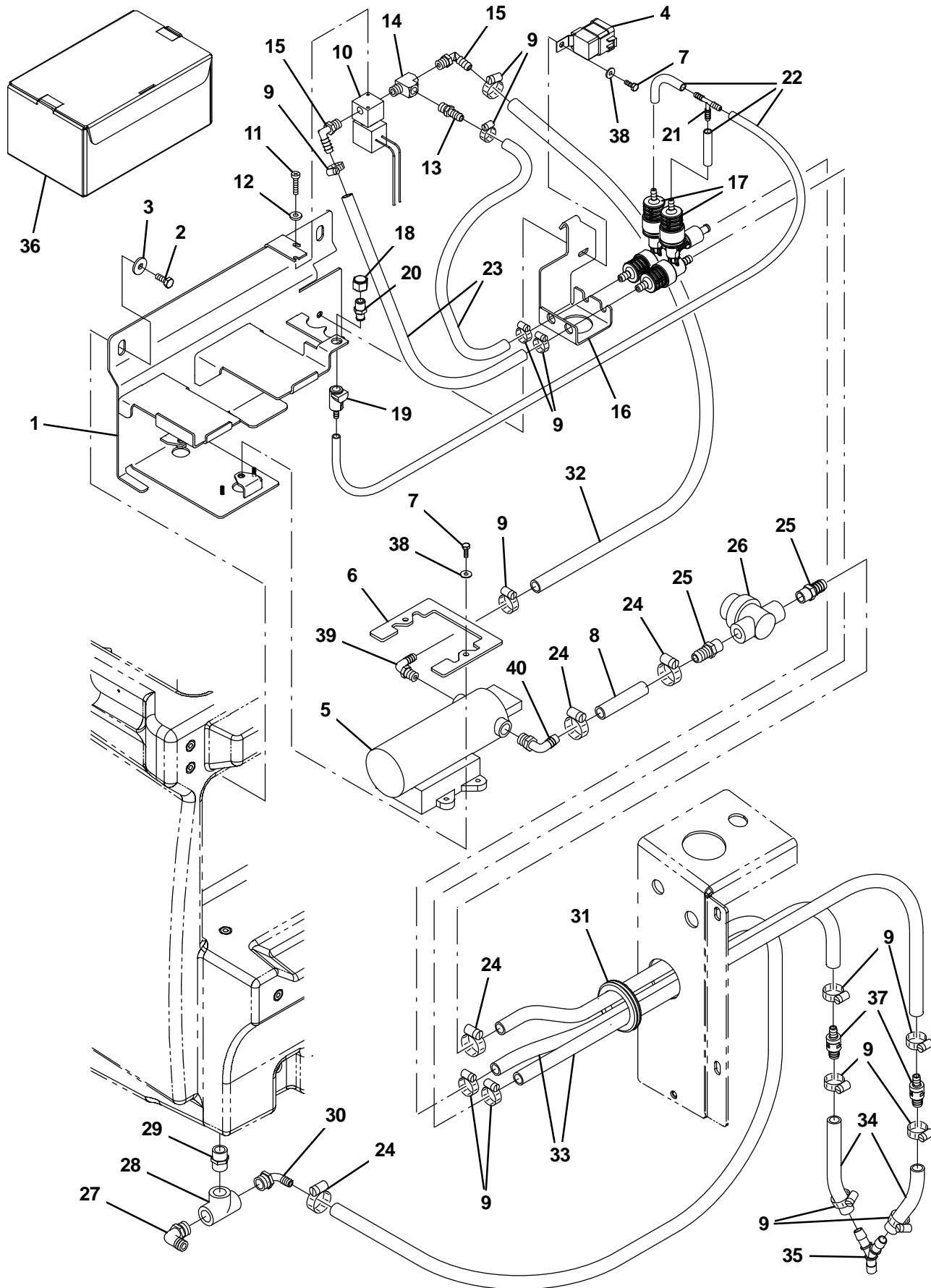


Fig. 16 – FaST Pumps and Detergent Group (001743–)

Ref.	Part No.	Serial Number	Description	Qty.
1	1044342	(001743–)	Bracket Wldt, Mtg [FaST Gen 2+]	1
2	09740	(001743–)	Screw, Hex, M8 X 1.25 X 20, Ss	2
3	1017218	(001743–)	Washer, Flat, 0.32b 1.00d .12, Ss	2
4	56186	(001743–)	Relay, 12vdc, 040a, Spdt No	1
5	1036801	(001743–)	Pump, Soltn, 13.7vdc, 65psi [FaST li+]	1
6	1039357	(001743–)	Bracket, Retainer, Pump	1
7	15678	(001743–)	Screw, Hex, M6 X 1.00 X 16, Ss	3
8	1015047	(001743–)	Hose, Afmkt, Pvc, Brd, 0.75id, 02ft, Clr	1
9	43844	(001743–)	Clamp, Hose, Wormdrive, 0.25–0.62d, .31w	14
10	1018098	(001743–)	Valve, Water, Solenoid, 12vdc 6.0mm Pf04	1
11	09200	(001743–)	Screw, Pan, Phl, M5 X 0.80 X 12, Ss	2
12	01683	(001743–)	Washer, Flat, 10, Ss	2
13	150540	(001743–)	Fitting, Plstc, Str, Bm06/Pm04	1
14	150709	(001743–)	Fitting, Brs, Tee, Pf04/Pf04/Pm04, Run	1
15	57248	(001743–)	Fitting, Plstc, E90, Bm06/Pm04, Nyl	2
16	1044343	(001743–)	Bracket, Mtg [FaST Gen 2+]	1
17	9008868	(001743–)	FaST Kit, Injector [M20/T20/M30 FaST III] (See Breakdowns)	2
18	1005435	(001743–)	Fitting, Plstc, Pipe, Cap, Pf04	1
19	1002898	(001743–)	Fitting, Plstc, Str, Bm04, Cplg, Fem	1
20	1002899	(001743–)	Fitting, Plstc, Str, Pm04, Cplg, Mal	2
21	150713	(001743–)	Fitting, Plstc, Tee, Bm04/Bm04/Bm04	1
22	1014986	(001743–)	Hose, Afmkt, Pvc, Clr, 0.25id, 02ft	1
23	1006416	(001743–)	Hose, Afmkt, Pvc, Clr, 0.38id, 03ft	1
24	54333	(001743–)	Clamp, Hose, Wormdrive, 0.31–0.88d, .31w	8
25	150538	(001743–)	Fitting, Plstc, Str, Bm06/Pm06	2
26	1005302	(001743–)	Filter, In-Line, Pf06/Pf06 080mesh 02.6l	1
27	14877	(001743–)	Fitting, Plstc, E90, Bm12/Pm12	1
28	42133A	(001743–)	Fitting, Plstc, Tee, Pf12/Pf12/Pf12	1
29	24544	(001743–)	Fitting, Plstc, Str, Pm12/Pm12 1.60l	1
30	1005552	(001743–)	Fitting, Plstc, E90, Bm08/Pm12, Nyl	1
31	10632–19	(001743–)	Grommet, Rbr, 2.13id, F/2.5h, .12 Matl	1
32	1006400	(001743–)	Hose, Afmkt, Pvc, Brd, 0.38id, 03ft, Clr	1
33	1024237	(001743–)	Hose, Afmkt, Pvc, Wir, 0.50id, 03ft, Clr	1
34	1014929	(001743–)	Hose, Afmkt, Pvc, Clr, 0.38id, 01ft	1
35	1010668	(001743–)	Fitting, Plstc, Y, Bm08/Bm08/Bm08, Nyl	1
36	1021878	(001743–)	FaST 665 4 Ltr, Detergent	1
37	1035794	(001743–)	Valve, Check, 0005psi Bm06/Bm08	2
38	01684	(001743–)	Washer, Flat, 0.27B 0.69D .05, Ss	3
39	1049254	(001743–)	Fitting, Nyl, Qdc, E90, Bm08/ Qm10	1
40	1049259	(001743–)	Fitting, NylY, Qdc, E90, Bm06/ Qm10	1

Fig. 17 – FaST Solution Supply Group, Cylindrical Scrub Head (001743–)

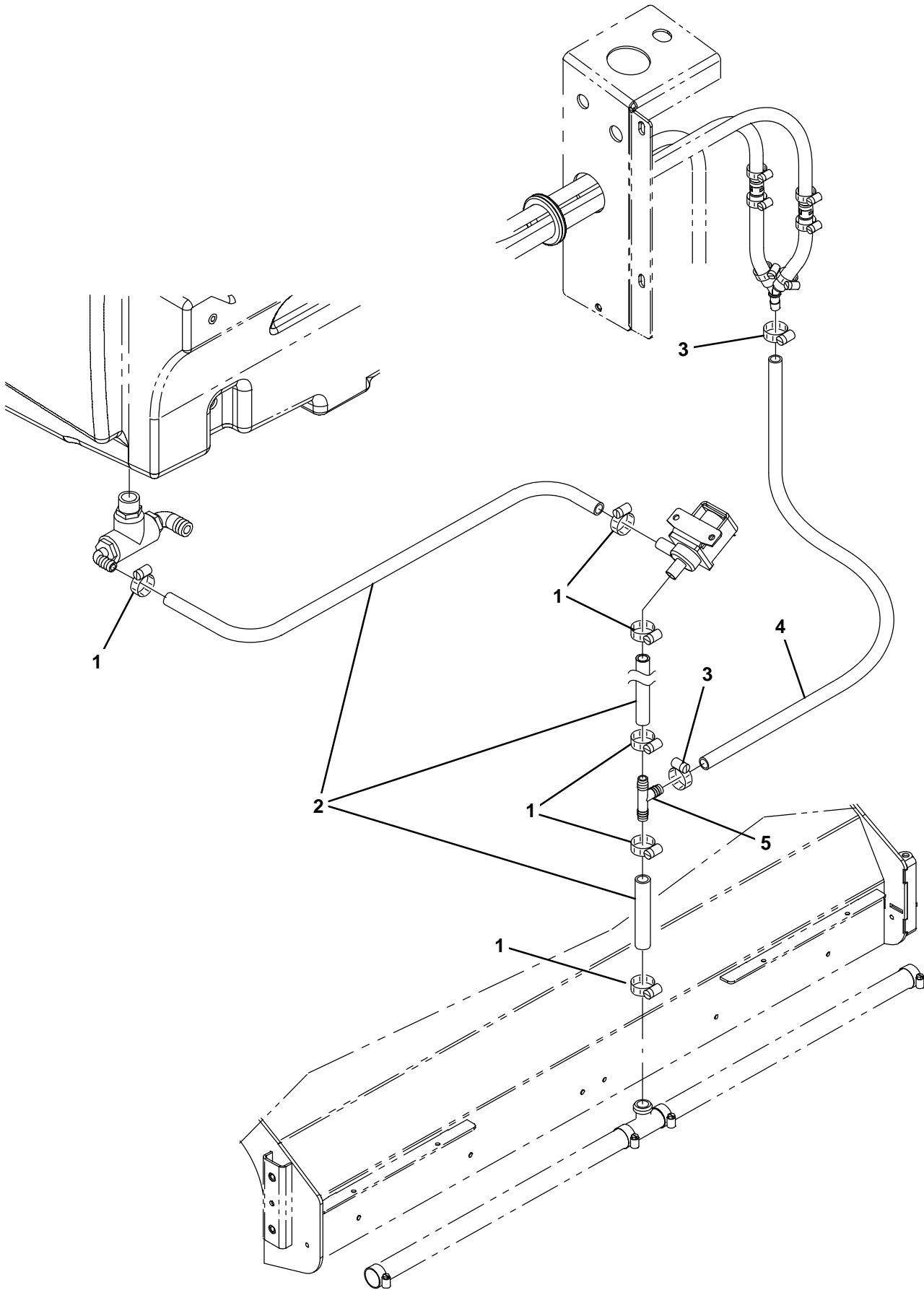


Fig. 17 – FaST Solution Supply Group, Cylindrical Scrub Head (001743–)

Ref.	Part No.	Serial Number	Description	Qty.
1	63810	(001743–)	Clamp, Hose, Wormdrive, 0.56–1.06d, .56w	6
2	1015045	(001743–)	Hose, Afmkt, Pvc, Brd, 0.75id, 08ft, Clr	1
3	54333	(001743–)	Clamp, Hose, Wormdrive, 0.31–0.88d, .31w	2
4	1011412	(001743–)	Hose, Afmkt, Pvc, Brd, 0.50id, 08ft, Clr	1
5	385644	(001743–)	Fitting, Plstc, Tee, Bm08/Bm12/Bm12, Br	1

Fig. 18 – FaST Solution Supply Group with Side Brush, Cylindrical Scrub Head (001743–)

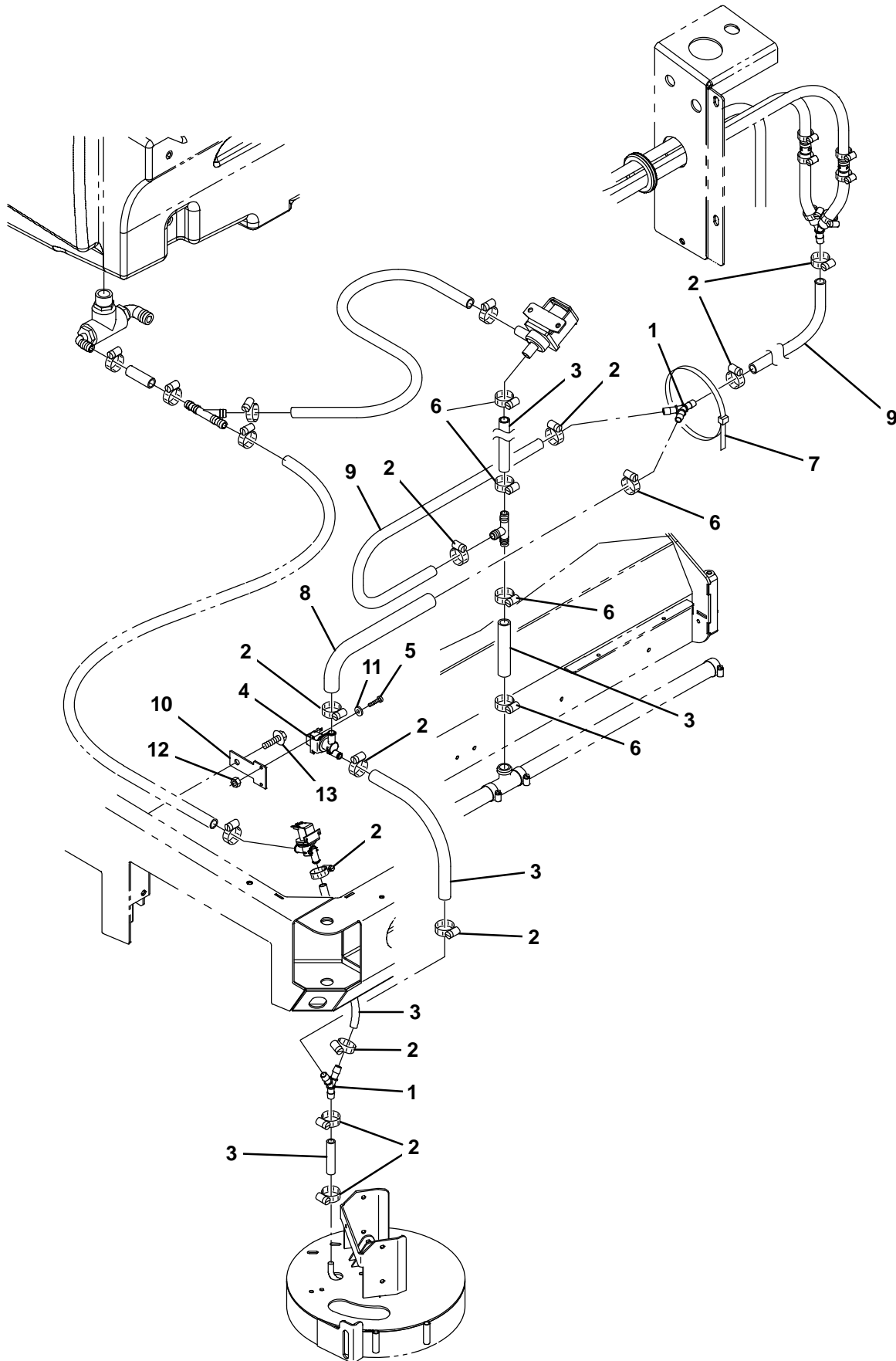


Fig. 18 – FaST Solution Supply Group with Side Brush, Cylindrical Scrub Head (001743–)

Ref.	Part No.	Serial Number	Description	Qty.
1	1010668	(001743–)	Fitting, Plstc, Y, Bm08/Bm08/Bm08, Nyl	2
2	54333	(001743–)	Clamp, Hose, Wormdrive, 0.31–0.88d, .31w	11
3	1015067	(001743–)	Hose, Afmkt, Pvc, Clr, 0.50id, 08ft	1
4	1037825	(001743–)	Valve, Solenoid, 12vdc, Water Flow	1
5	09200	(001743–)	Screw, Pan, Phl, M5 X 0.80 X 12, Ss	2
6	63810	(001743–)	Clamp, Hose, Wormdrive, 0.56–1.06d, .56w	5
7	763116	(001743–)	Tie, Cable, Nyl, 15.3l . W 4.5 Max D	1
8	31543	(001743–)	Hose, Heater, E90, 0.62id, 24.0 4.0	1
9	1011412	(001743–)	Hose, Afmkt, Pvc, Brd, 0.50id, 08ft, Clr	1
10	1030511	(001743–)	Plate, Mtg, Valve	1
11	01683	(001743–)	Washer, Flat, 10, Ss	2
12	09739	(001743–)	Nut, Hex, Lock, M5 X 0.80, NI, Ss	2
13	76099	(001743–)	Screw, Hex, M8 X 1.25 X 25, Fmg	1

Fig. 19 – FaST Solution Supply Group, Disk Scrub Head (001743–)

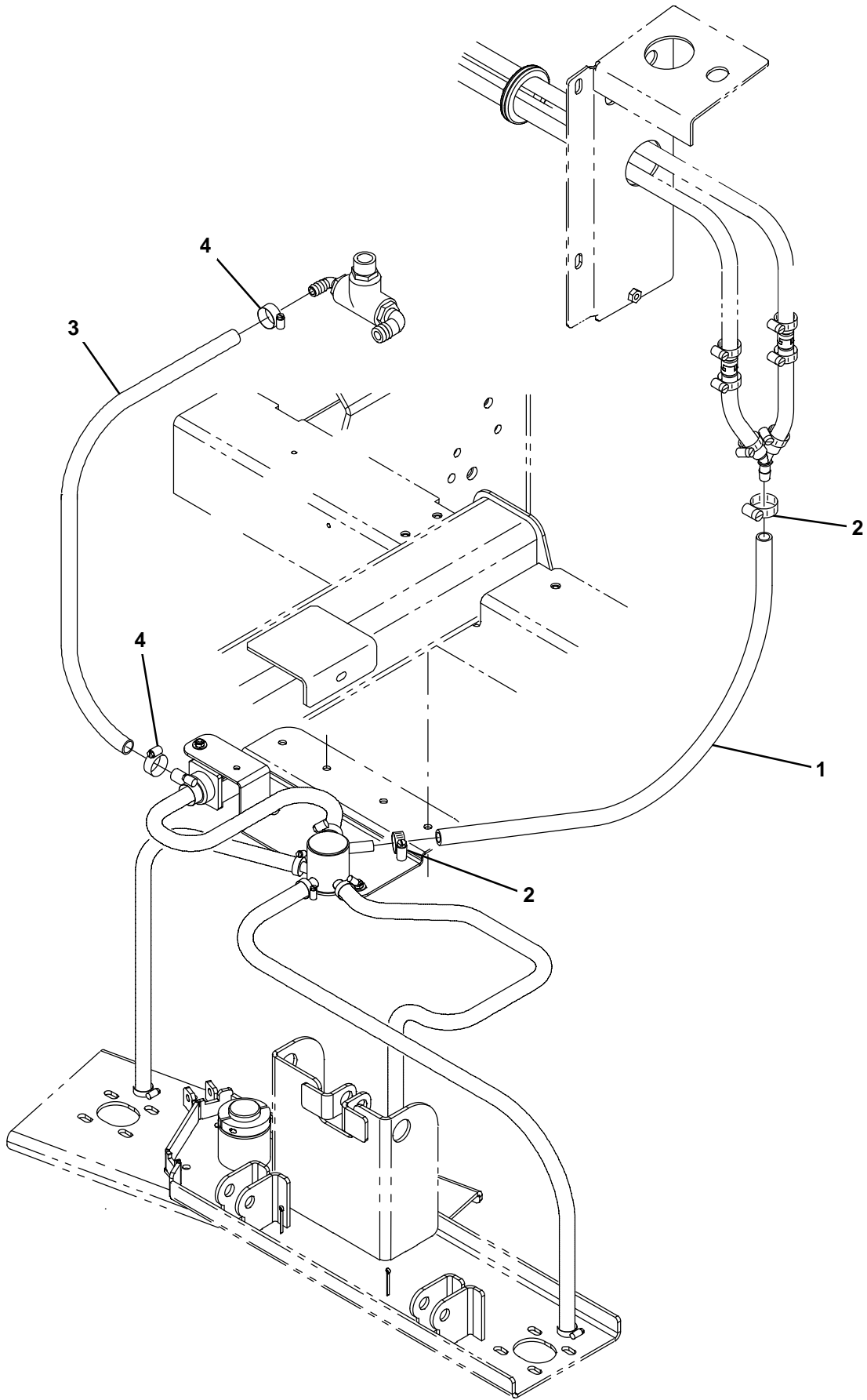


Fig. 19 – FaST Solution Supply Group, Disk Scrub Head (001743–)

Ref.	Part No.	Serial Number	Description	Qty.
1	1011412	(001743–)	Hose, Afmkt, Pvc, Brd, 0.50id, 08ft, Clr	1
2	54333	(001743–)	Clamp, Hose, Wormdrive, 0.31–0.88d, .31w	2
3	1015045	(001743–)	Hose, Afmkt, Pvc, Brd, 0.75id, 08ft, Clr	1
4	63810	(001743–)	Clamp, Hose, Wormdrive, 0.56–1.06d, .56w	4

Fig. 20 – FaST Solution Supply Group with Side Brush, Disk Scrub Head (001743–)

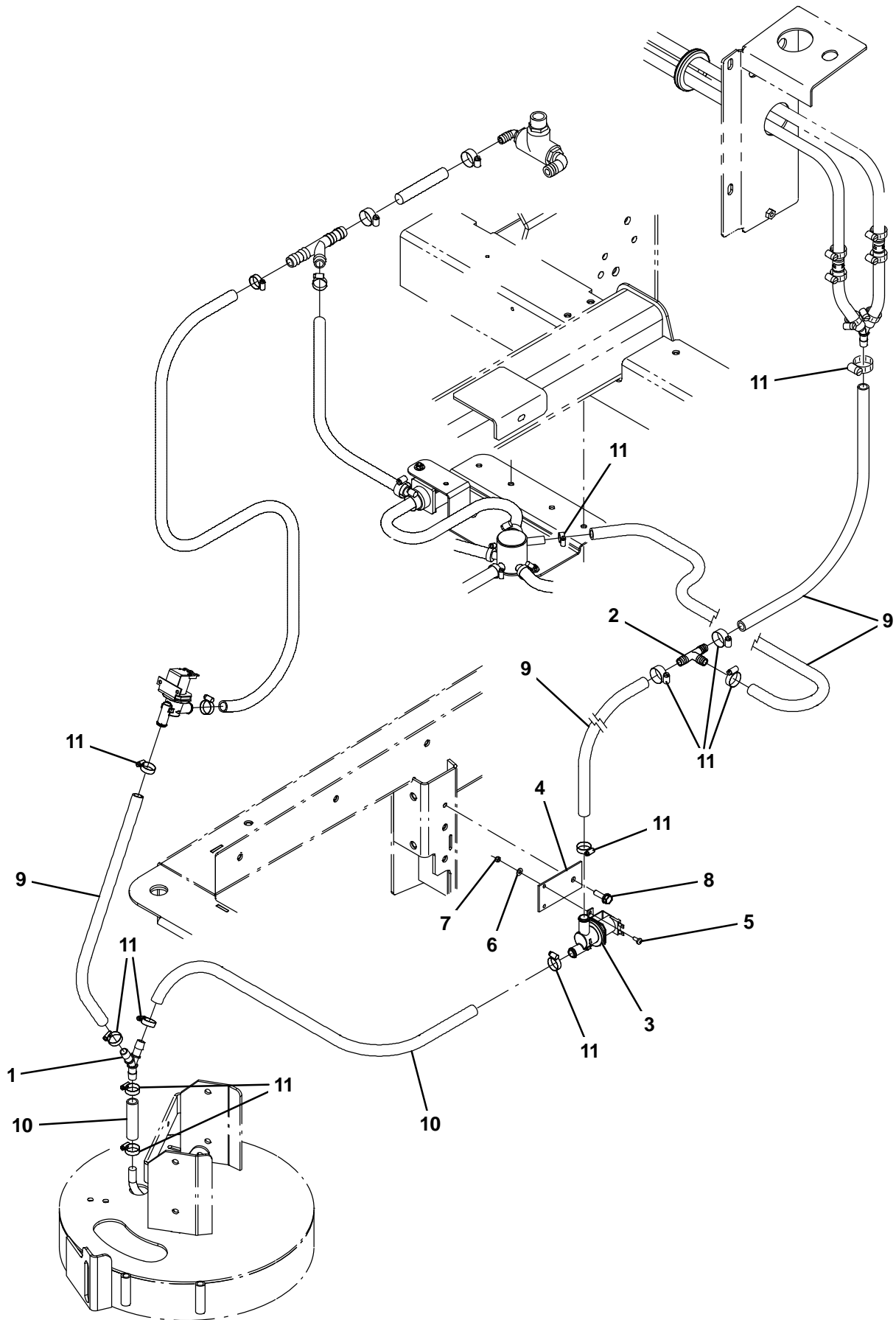


Fig. 20 – FaST Solution Supply Group with Side Brush, Disk Scrub Head (001743–)

Ref.	Part No.	Serial Number	Description	Qty.
1	1010668	(001743–)	Fitting, Plstc, Y, Bm08/Bm08/Bm08, Nyl	1
2	63245-1	(001743–)	Fitting, Plstc, Tee, Bm08/Bm08/Bm08	1
3	1037825	(001743–)	Valve, Solenoid, 12vdc, Water Flow	1
4	1030511	(001743–)	Plate, Mtg, Valve	11
5	09200	(001743–)	Screw, Pan, Phl, M5 X 0.80 X 12, Ss	2
6	01683	(001743–)	Washer, Flat, 10, Ss	2
7	09739	(001743–)	Nut, Hex, Lock, M5 X 0.80, NI, Ss	2
8	76099	(001743–)	Screw, Hex, M8 X 1.25 X 25, Fmg	1
9	1011412	(001743–)	Hose, Afmkt, Pvc, Brd, 0.50id, 08ft, Clr	1
10	1015067	(001743–)	Hose, Afmkt, Pvc, Clr, 0.50id, 08ft	1
11	54333	(001743–)	Clamp, Hose, Wormdrive, 0.31–0.88d, .31w	11

Fig. 21 – FaST Wire Harness Group (001743–)

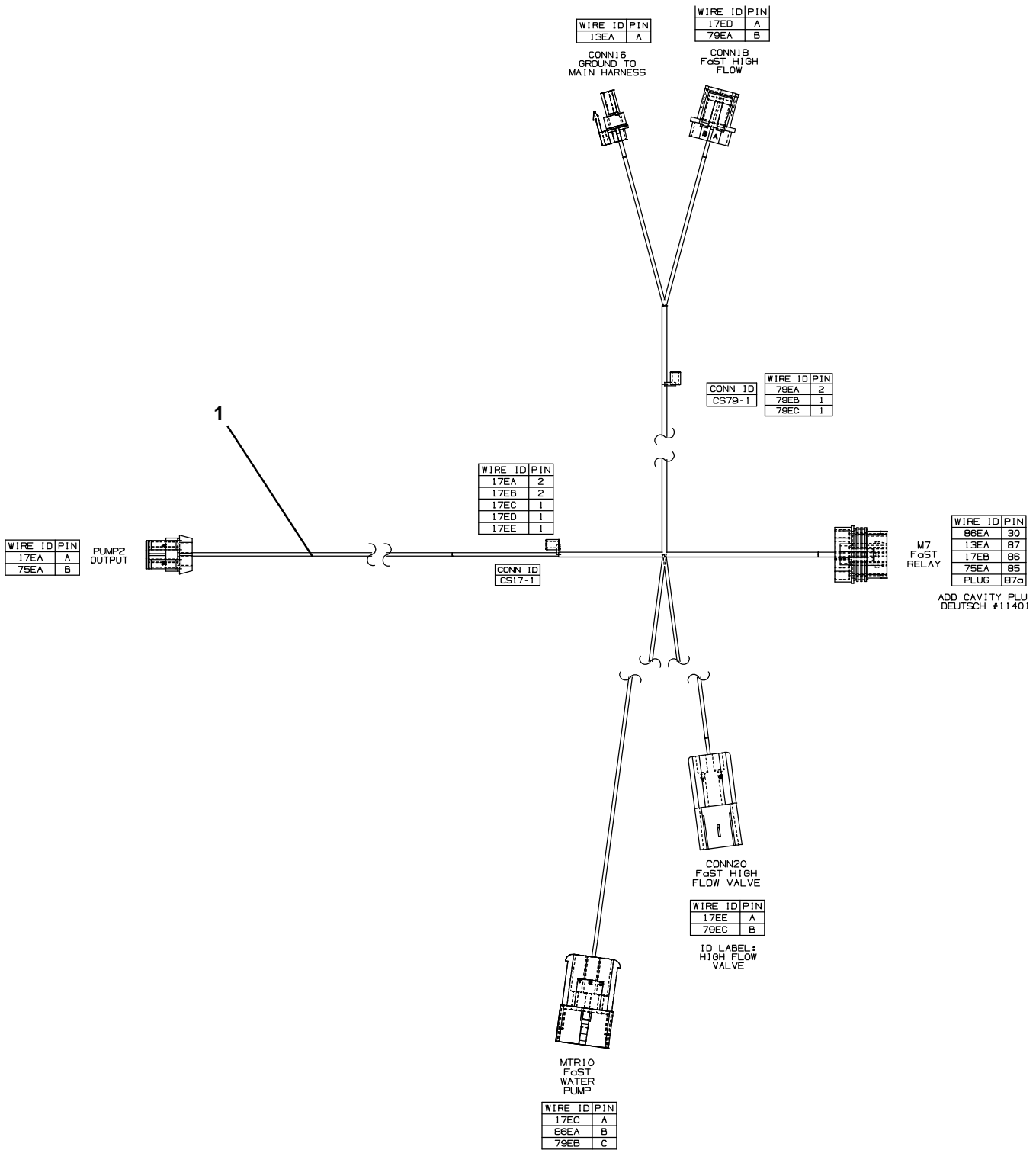


Fig. 21 – FaST Wire Harness Group (001743–)

Ref.	Part No.	Serial Number	Description	Qty.
1	1037809	(001743–)	Harness, Wire [FaST Gen 2]	1

Fig. 22 – ec-H2O Solution Pump Group

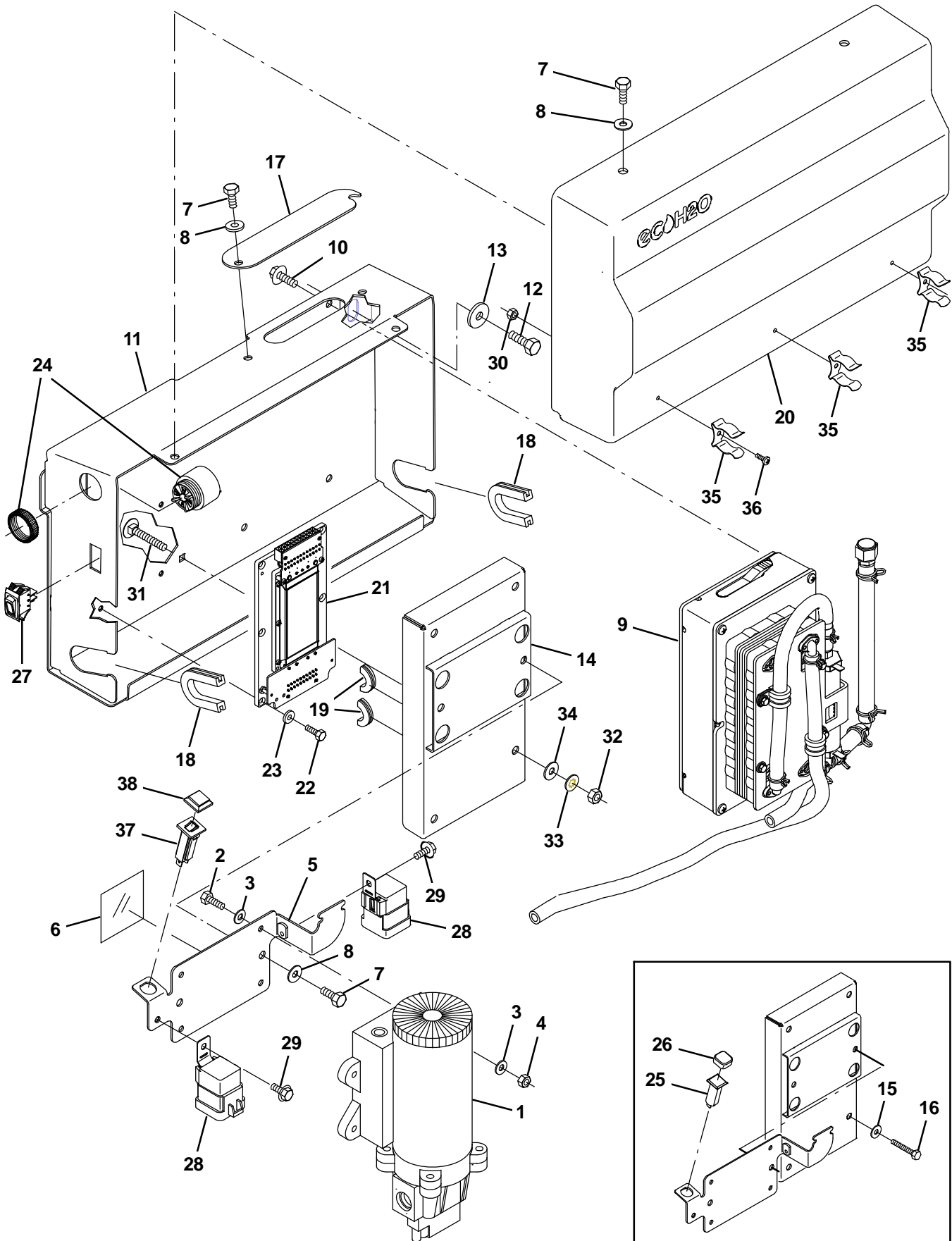


Fig. 22 – ec–H2O Solution Pump Group

Ref.	Part No.	Serial Number	Description	Qty.
1	1060624	(000000–)	Pump, Soltn, Ele, 13.7vdc,12/28psi	1
2	09252	(000000–)	Screw, Hex, M5 X 0.80 X 20, 8.8	4
3	19066	(000000–)	Washer, Flat, 10	8
4	06549	(000000–)	Nut, Hex, Lock, M5 X 0.80, NI	4
5	1060273	(000000–)	Plate, Mtg, Pump	1
6	1059677	(000000–)	Strip, Rbr, 0.06 03.54w 03.5l [Neo/60]	1
7	09744	(000000–)	Screw, Hex, M6 X 1.00 X 12, Ss	6
8	01684	(000000–)	Washer, Flat, 0.27b 0.69d .05, Ss	6
9	9007882	(000000–)	Module Kit, Replmt [Ec–H2O] (See Breakdowns)	1
10	1040467	(000000–)	Screw, Hex, M6 X 1.00 X 20, 9.8, Sems	4
11	1060292	(000000–)	Plate Wldt, Mtg	1
12	09740	(000000–)	Screw, Hex, M8 X 1.25 X 20, Ss	2
13	1017218	(000000–)	Washer, Flat, 0.32b 1.00d .12, Ss	2
14	1060185	(000000–)	Cover Wldt, Power Supply	1
15	01684	(000000–xxxxxx)	Washer, Flat, 0.27b 0.69d .05, Ss	4
16	07805	(000000–xxxxxx)	Screw, Hex, M6 X 1.00 X 35, Ss	4
17	1060291	(000000–)	Plate, Inspection	1
18	1020168	(000000–)	Molding, Afmkt, Trim, Pvc, .08 .11, 01Ft	1
19	10632–4	(000000–)	Grommet, Rbr, 0.62id, F/0.9h, .06 Matl	1
20	1060719	(000000–)	Cover, Trimmed	1
21	1058963	(000000–)	Converter, Ele, 12–36 Vdc	1
22	09206	(000000–)	Screw, Hex, M4 X 0.70 X 12, 8.8	4
23	19065	(000000–)	Washer, Flat, 08	4
24	1052726	(000000–)	Alarm, 9–48vdc, 95 Db(A) [Ec–H2O]	1
25	1053078	(000000–002649)	Circuitbreaker, 2.0a, Resetable	1
26	1046173	(000000–002649)	Boot, Circuitbreaker	1
27	1044393	(000000–)	Switch, Rocker, Spst, Mom	1
28	56186	(000000–)	Relay, 12vdc, 040a, Spdt No	2
29	223198	(000000–)	Screw, Hex, M5 X 0.80 X 10, Fmg	2
30	33932	(000000–)	Nut, Hex, Lock, M4 X 0.70, NI, Ss	3
31	1062804	(xxxxxx–)	Bolt, Carriage, M06 X 1.00 X 40, 4.6	4
32	41359	(xxxxxx–)	Nut, Hex, Std, M6 X 1.00, 8	4
33	32982	(xxxxxx–)	Washer, Lock, Int, 0.25	4
34	32483	(xxxxxx–)	Washer, Flat, 0.25, Sae	4
35	1029057	(000000–)	Clip, Grip, Finger, 0.88–1.25d	3
36	12323	(000000–)	Screw, Pan, Phl, M4 X 0.70 X 20, Ss	3
37	1064183	(002650–)	Circuitbreaker, 02.0a, Resetable	1
38	1064191	(002650–)	Boot, Circuitbreaker	1

Fig. 23 – ec-H2O Solution Pump Supply Group

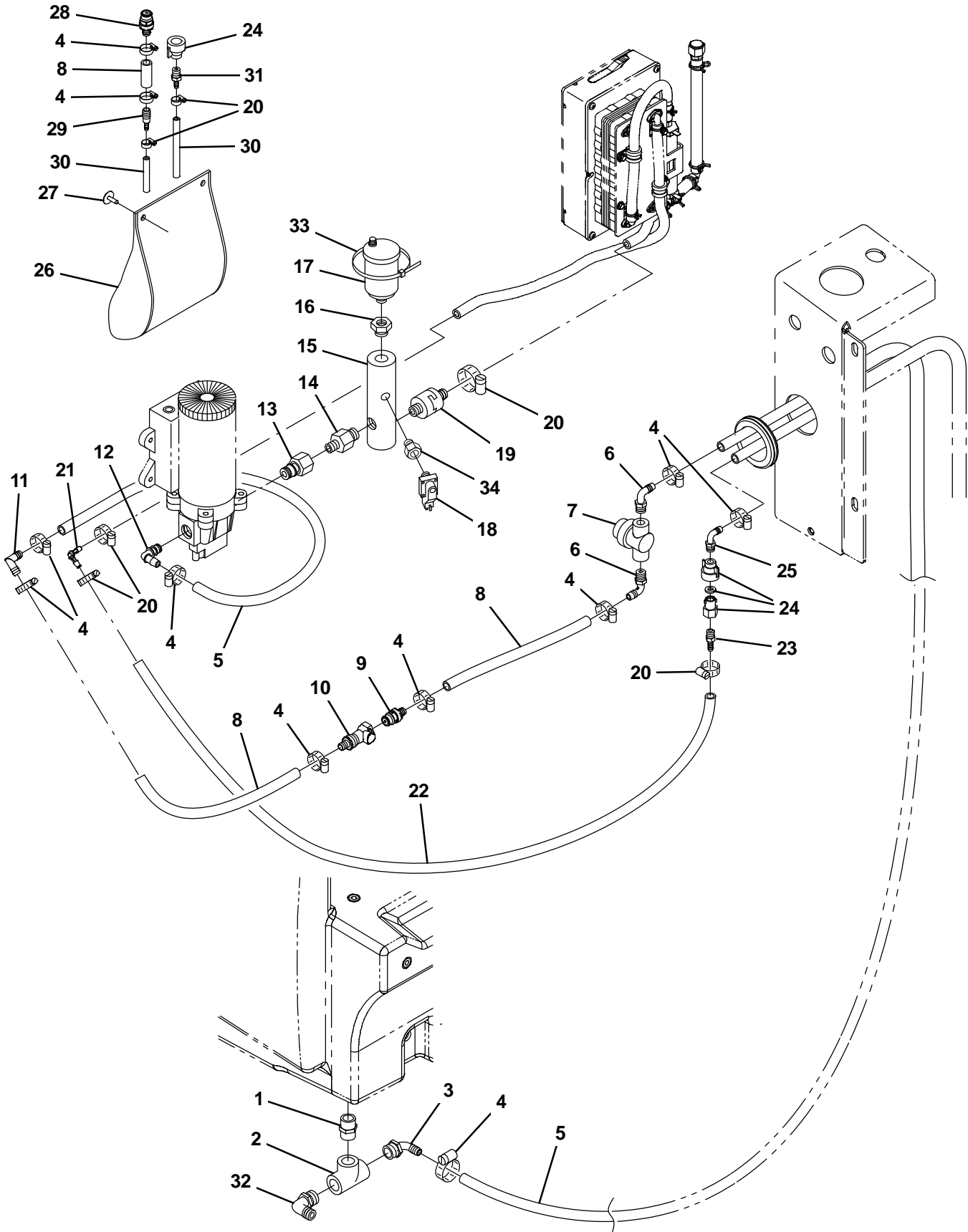


Fig. 23 – ec-H2O Solution Pump Supply Group

Ref.	Part No.	Serial Number	Description	Qty.
1	24544	(000000–)	Fitting, Plstc, Str, Pm12/Pm12 1.60l	1
2	42133A	(000000–)	Fitting, Plstc, Tee, Pf12/Pf12/Pf12	1
3	1005552	(000000–)	Fitting, Plstc, E90, Bm08/Pm12, Nyl	1
4	54333	(000000–)	Clamp, Hose, Wormdrive, 0.31–0.88d, .31w	1
5	1011521	(000000–)	Hose, Afmkt, Pvc, Brd, 0.50id, 02ft, Clr	2
6	64778	(000000–)	Fitting, Plstc, E90, Bm08/Pm06	2
7	1005302	(000000–)	Filter, In–Line, Pf06/Pf06 080mesh 02.6l	1
8	1011403	(000000–)	Hose, Afmkt, Pvc, Brd, 0.50id, 01ft, Clr	3
9	1017415	(000000–)	Insert, Cplg, Qm, Bm08	1
10	1017413	(000000–)	Housing, Cplg, Qf / Pm08	1
11	63987–1	(000000–)	Fitting, Plstc, E90, Bm08/Bm08	1
12	1049254	(000000–)	Fitting, Nyl, Qdc, E90, Bm08/ Qm10	1
13	1059372	(000000–)	Fitting, Plstc, Str, Pf06/Qm10, Pvc	1
14	1005219	(000000–)	Fitting, Plstc, Str, Pm04/Pm06, Nyl	1
15	1060596	(000000–)	Manifold, Water	1
16	24698	(000000–)	Fitting, Brs, Str, Pf02/Pm06	1
17	1017386	(000000–)	Valve, Vent, Air, Float Type	1
18	1058935	(000000–)	Switch, Press, 50 Psi, Pm02	1
19	1060693	(000000–)	Valve, Check, 0005psi Pm04/Bm06	1
20	43844	(000000–)	Clamp, Hose, Wormdrive, 0.25–0.62d, .31w	1
21	1059391	(000000–)	Fitting, Plstc, E90, Bm05/Bm05, Nyl	1
22	1052336	(000000–)	Hose, Afmkt, PVC, Brd, 0.31ld, 03Ft, Clr	2
23	1052017	(000000–)	Fitting, Plstc, Str, Bm05/Pm04	1
24	1043866	(000000–)	Fitting Assy, Qdc, Pf04	2
25	65581	(000000–)	Fitting, Plstc, E90, Bm08/Pm04	1
26	48790	(000000–)	Pouch	1
27	72968	(000000–)	Rivet, Plstc, .250d X 0.90	2
28	1017415	(000000–)	Insert, Cplg, Qm, Bm08	1
29	630164	(000000–)	Fitting, Plstc, Str, Bm04/Bm08	1
30	1006415	(000000–)	Hose, Afmkt, Pvc, Clr, 0.25id, 03ft	2
31	50901	(000000–)	Fitting, Plstc, Str, Bm04/Pm04	1
32	14877	(000000–)	Fitting, Plstc, E90, Bm12/Pm12	1
33	49266	(000000–)	Tie, Cable, Nyl, 07.3l .19w 1.8 Max D	1
34	1062403	(000000–)	Fitting, Brs, Snubber, Pm02/Pf02	1

Fig. 24 – ec-H2O Solution Supply Group, Cylindrical Scrub Head

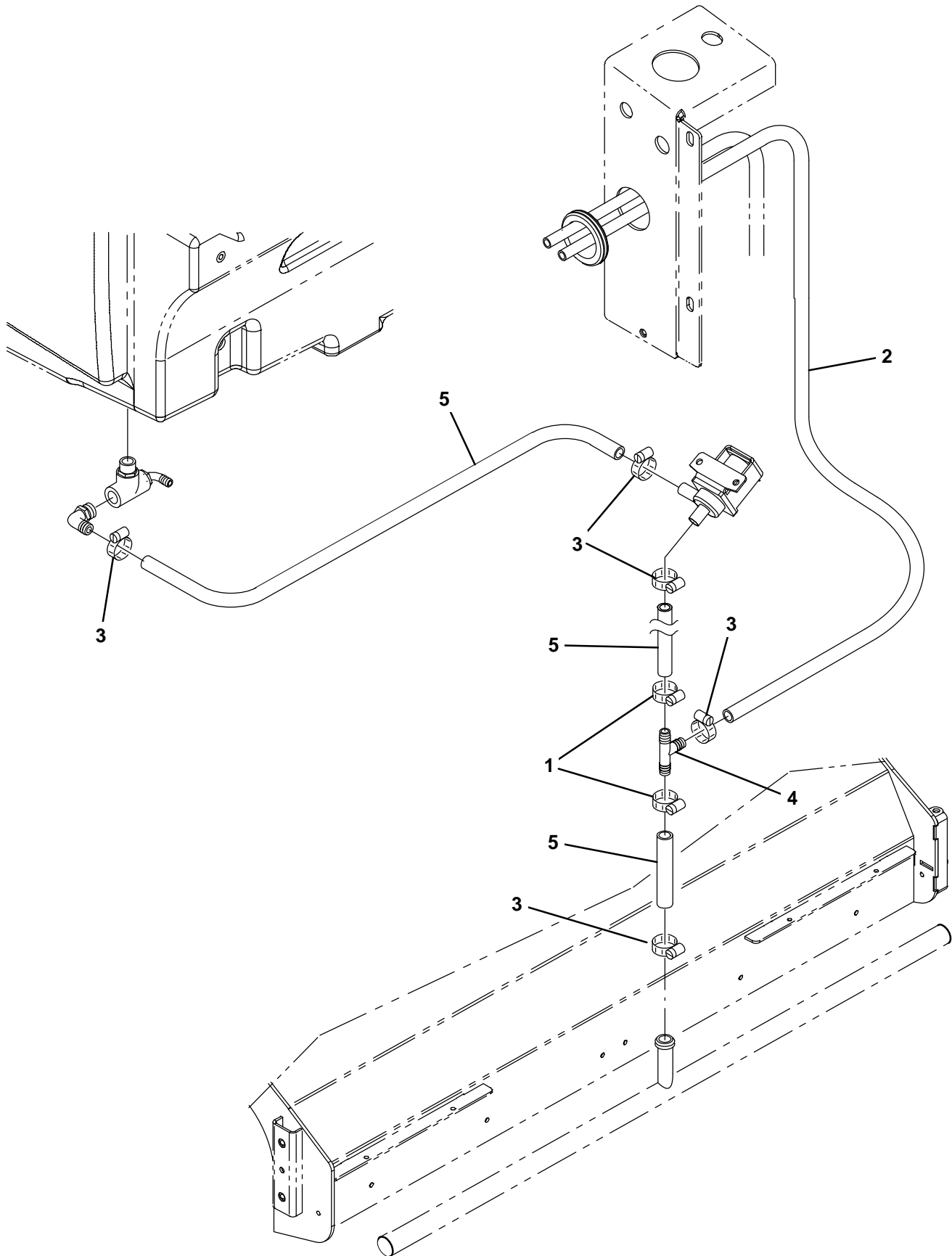


Fig. 24 – ec–H2O Solution Supply Group, Cylindrical Scrub Head

Ref.	Part No.	Serial Number	Description	Qty.
1	63810	(000000–) Clamp, Hose, Wormdrive, 0.56–1.06d, .56w	2
2	1011837	(000000–) Hose, Afmkt, Pvc, Brd, 0.50id, 12ft, Clr	1
3	54333	(000000–) Clamp, Hose, Wormdrive, 0.31–0.88d, .31w	2
4	385644	(000000–) Fitting, Plstc, Tee, Bm08/Bm12/Bm12, Br	1
5	1015045	(000000–) Hose, Afmkt, Pvc, Brd, 0.75id, 08ft, Clr	1

Fig. 25 – ec-H2O Solution Supply Group, Cylindrical Scrub Head with Side Brush

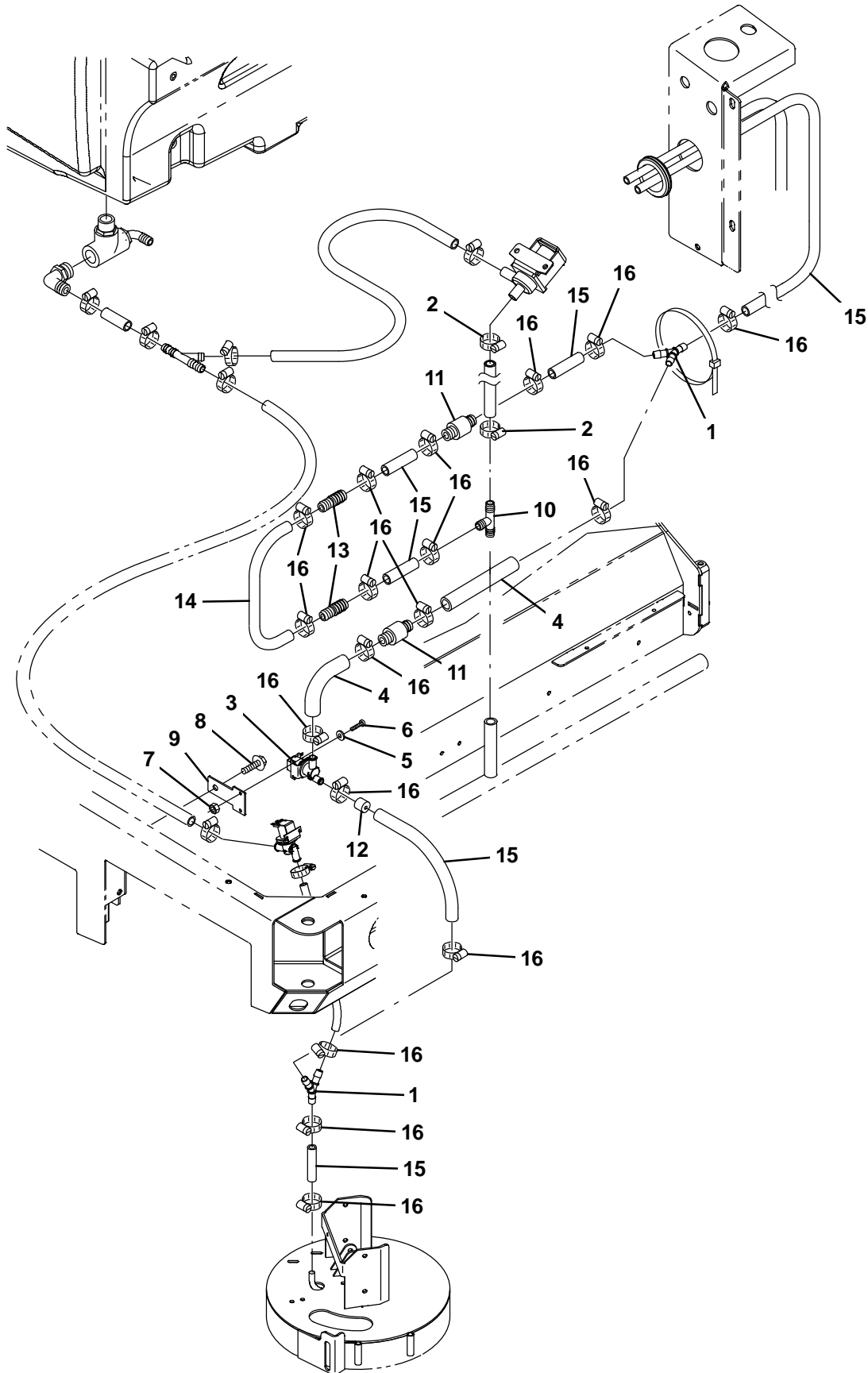


Fig. 25 – ec-H2O Solution Supply Group, Cylindrical Scrub Head with Side Brush

Ref.	Part No.	Serial Number	Description	Qty.
1	1010668	(000000–) Fitting, Plstc, Y, Bm08/Bm08/Bm08, Nyl	1
2	63810	(000000–) Clamp, Hose, Wormdrive, 0.56–1.06d, .56w	2
3	1037825	(000000–) Valve Assy, Water, Solenoid, 12vdc	1
4	31543	(000000–) Hose, Heater, E90, 0.62id, 24.0 4.0	1
5	01683	(000000–) Washer, Flat, 10, Ss	2
6	24196	(000000–) Screw, Pan, Phl, M5 X 0.80 X 20, Ss	2
7	09739	(000000–) Nut, Hex, Lock, M5 X 0.80, NI, Ss	2
8	76099	(000000–) Screw, Hex, M8 X 1.25 X 25, Fmg	1
9	1030511	(000000–) Plate, Mtg, Valve	1
10	385644	(000000–) Fitting, Plstc, Tee, Bm08/Bm12/Bm12, Br	1
11	1010614	(000000–) Valve, Check, 2gpm .5psi Bm08/Bm08	2
12	1061045	(000000–) Plug, Restrictor	1
13	222375	(000000–) Fitting, Plstc, Str, Bm06/Bm08	2
14	1014974	(000000–) Hose, Afmkt, Pvc, Brd, 0.38id, 02ft, Clr	1
15	1011412	(000000–) Hose, Afmkt, Pvc, Brd, 0.50id, 08ft, Clr	1
16	54333	(000000–) Clamp, Hose, Wormdrive, 0.31–0.88d, .31w	18

Fig. 26 – ec-H2O Solution Supply Group, Disk Scrub Head

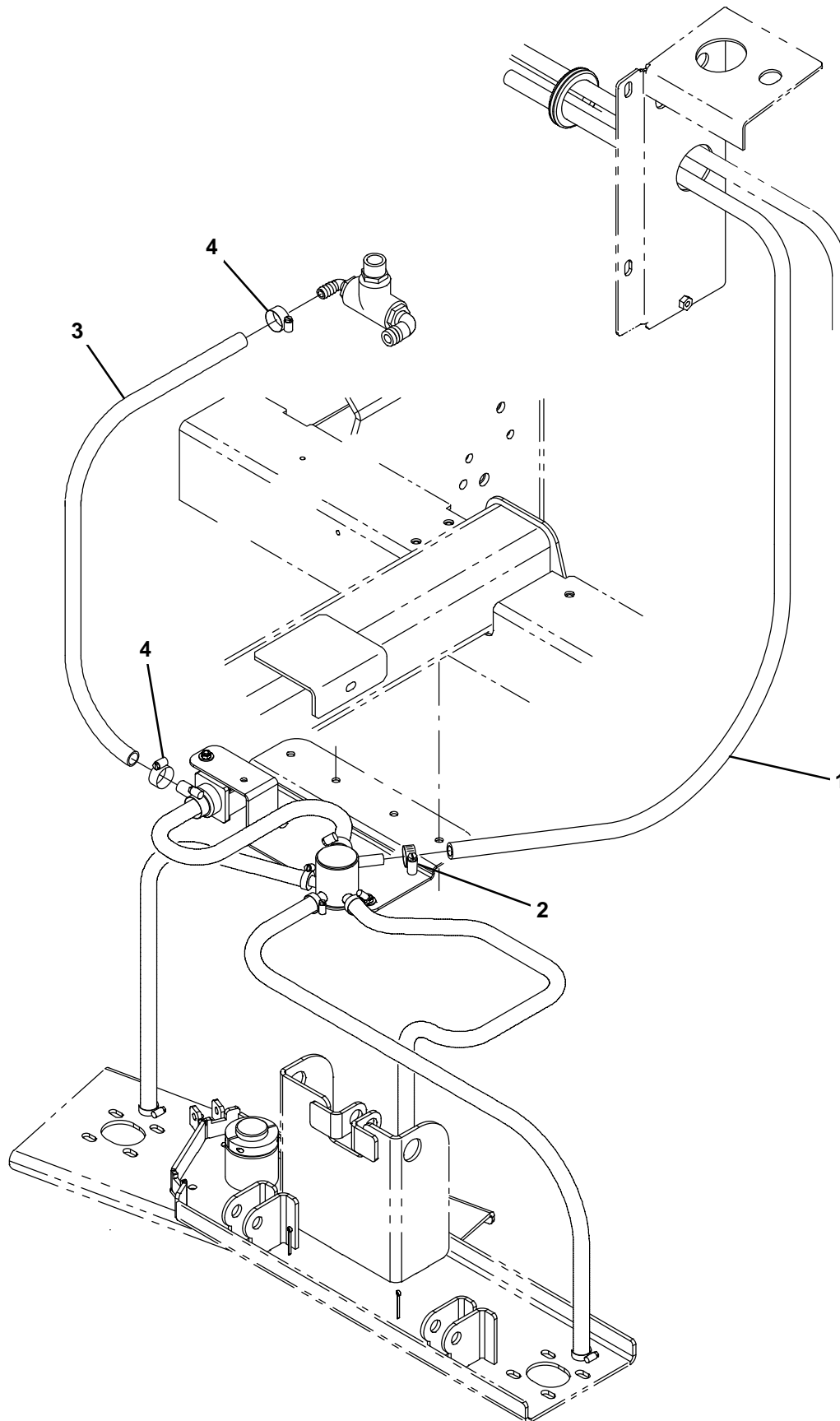


Fig. 26 – ec–H2O Solution Supply Group, Disk Scrub Head

Ref.	Part No.	Serial Number	Description	Qty.
1	1011412	(000000–) Hose, Afmkt, Pvc, Brd, 0.50ld, 08Ft, Clr	1
2	54333	(000000–) Clamp, Hose, Wormdrive, 0.31–0.88D, .31W	2
3	1015045	(000000–) Hose, Afmkt, Pvc, Brd, 0.75ld, 08Ft, Clr	1
4	63810	(000000–) Clamp, Hose, Wormdrive, 0.56–1.06D, .56W	2

Fig. 27 – ec-H2O Solution Supply Group, Disk Scrub Head with Side Brush

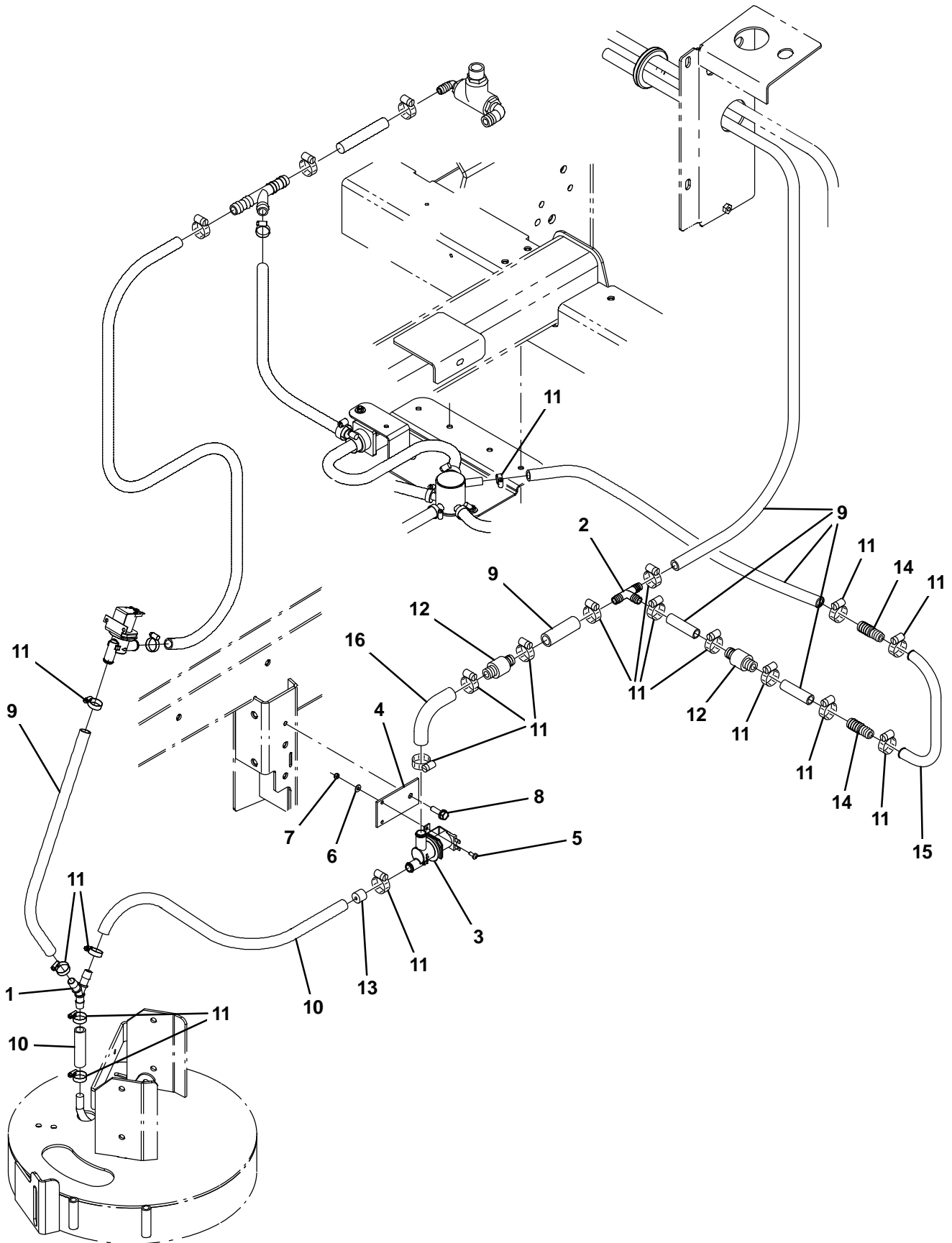


Fig. 27 – ec–H2O Solution Supply Group, Disk Scrub Head with Side Brush

Ref.	Part No.	Serial Number	Description	Qty.
1	1010668	(000000–) Fitting, Plstc, Y, Bm08/Bm08/Bm08, Nyl	1
2	63245–1	(000000–) Fitting, Plstc, Tee, Bm08/Bm08/Bm08	1
3	1037825	(000000–) Valve, Solenoid, 12vdc, Water Flow	1
4	1030511	(000000–) Plate, Mtg, Valve	11
5	09200	(000000–) Screw, Pan, Phl, M5 X 0.80 X 12, Ss	2
6	01683	(000000–) Washer, Flat, 10, Ss	2
7	09739	(000000–) Nut, Hex, Lock, M5 X 0.80, NI, Ss	2
8	76099	(000000–) Screw, Hex, M8 X 1.25 X 25, Fmg	1
9	1011412	(000000–) Hose, Afmkt, Pvc, Brd, 0.50id, 08ft, Clr	1
10	1015067	(000000–) Hose, Afmkt, Pvc, Clr, 0.50id, 08ft	1
11	54333	(000000–) Clamp, Hose, Wormdrive, 0.31–0.88d, .31w	20
12	1010614	(000000–) Valve, Check, 2Gpm .5Psi Bm08/Bm08	2
13	1061045	(000000–) Plug, Rsestricter	1
14	222375	(000000–) Fitting, Plstc, Str, BM06/BM08	2
15	1014974	(000000–) Hose, Afmkt, Pvc, Brd, 0.38Id, 02Ft, Clr	1
16	31543	(000000–) Hose, Heater, E90, 0.62Id, 24.0 4.0	1

Fig. 28 – ec-H20 Wire Harnesses Group

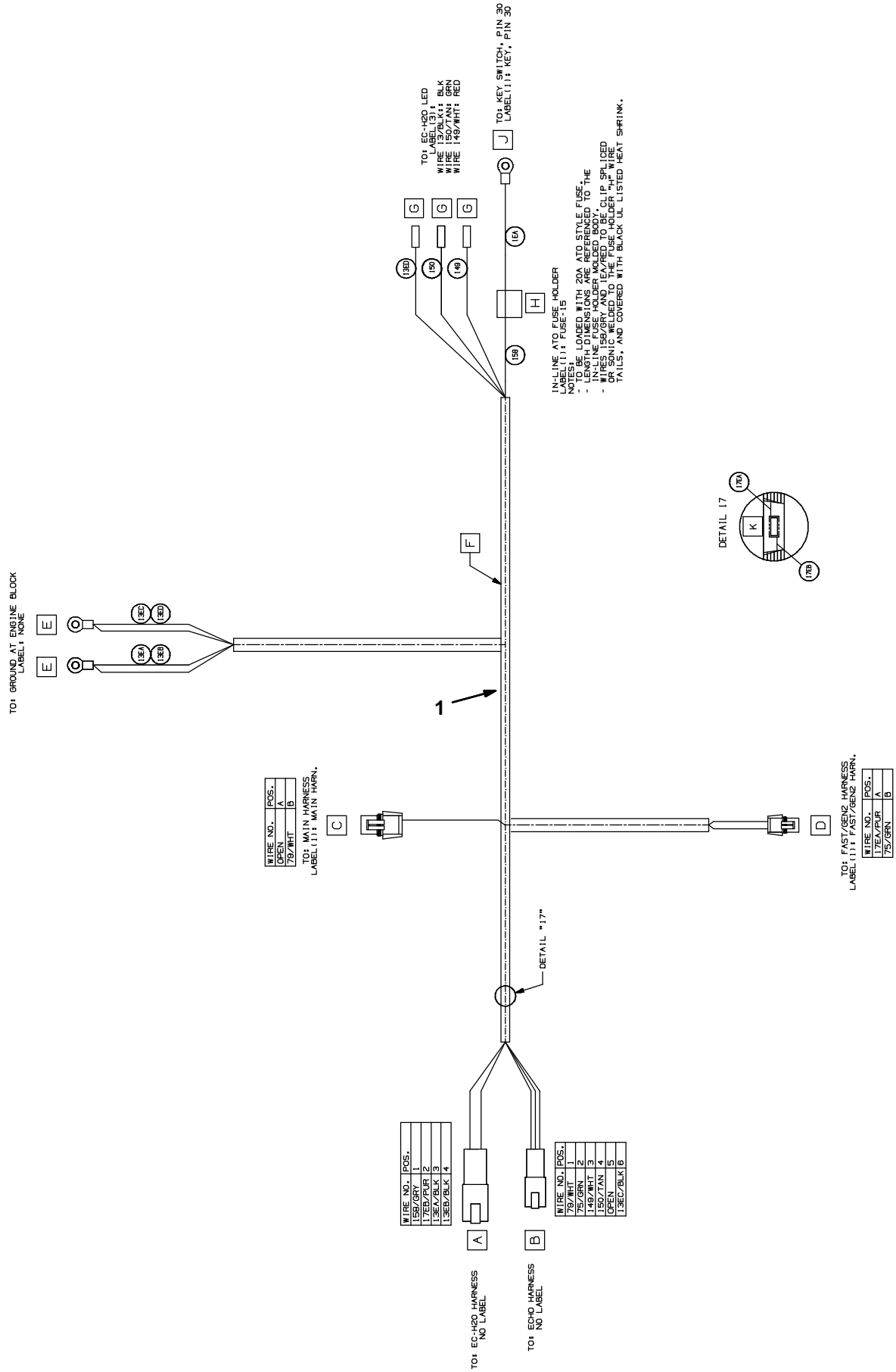
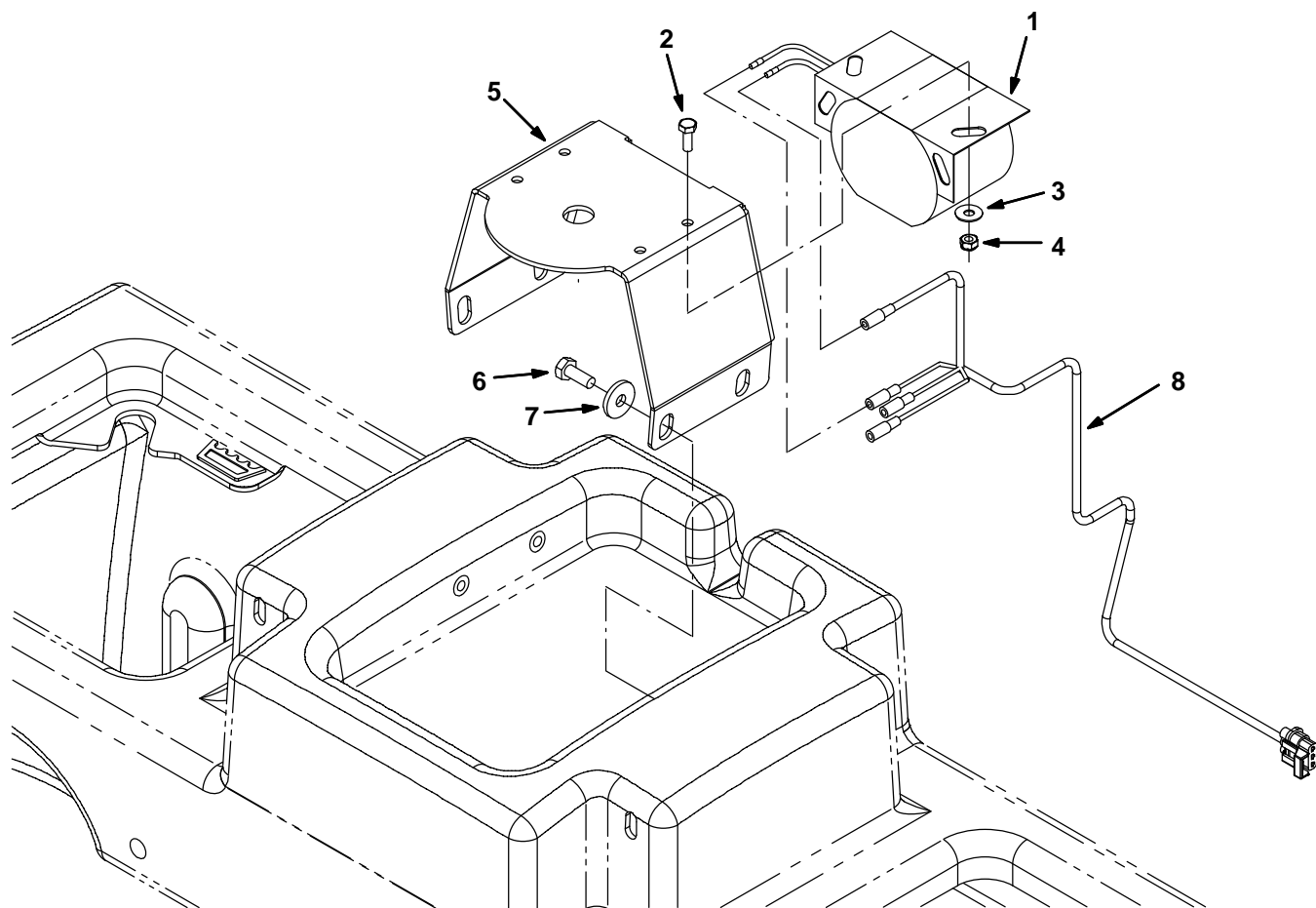


Fig. 28 – ec–H20 Wire Harnesses Group

Ref.	Part No.	Serial Number	Description	Qty.
1	1071947	(000000–) Harness, Wire [Ec–H2o, Mako, 2.0l & Dsl]	1
2	1060871	(000000–) Harness, Wire [Ec–H2o]	1
3	1060880	(000000–) Resistor, Ele, Plug [430 , 2w]	1
4	1060881	(000000–) Capacitor, Plug [4700uf, 25v]	1

Fig. 29 – Backup Alarm Kit



354473

Ref.	Part No.	Serial Number	Description	Qty.
▽	9001321	(000000–) Alarm Kit, Backup, Ci [M20 And T20]	1
▲	1 9007131	(000000–) Alarm Assy, Backup, 12/48Vdc	1
▲	2 24196	(000000–) Screw, Pan, Phi, M5 X 0.80 X 20, Ss	2
▲	3 19066	(000000–) Washer, Flat, 10	2
▲	4 09739	(000000–) Nut, Hex, Lock, M5 X 0.80, NI, Ss	2
▲	5 1019445	(000000–) Bracket, Sppt, Strobe Light	1
▲	6 09740	(000000–) Screw, Hex, M8 X 1.25 X 20, Ss	4
▲	7 1017218	(000000–) Washer, Flat, 0.32b 1.00d .12, Ss	4
▲	8 1019971	(000000–) Harness, Warning / Backup [M20 & T20]	1

Fig. 30 – Light Kit, Flashing

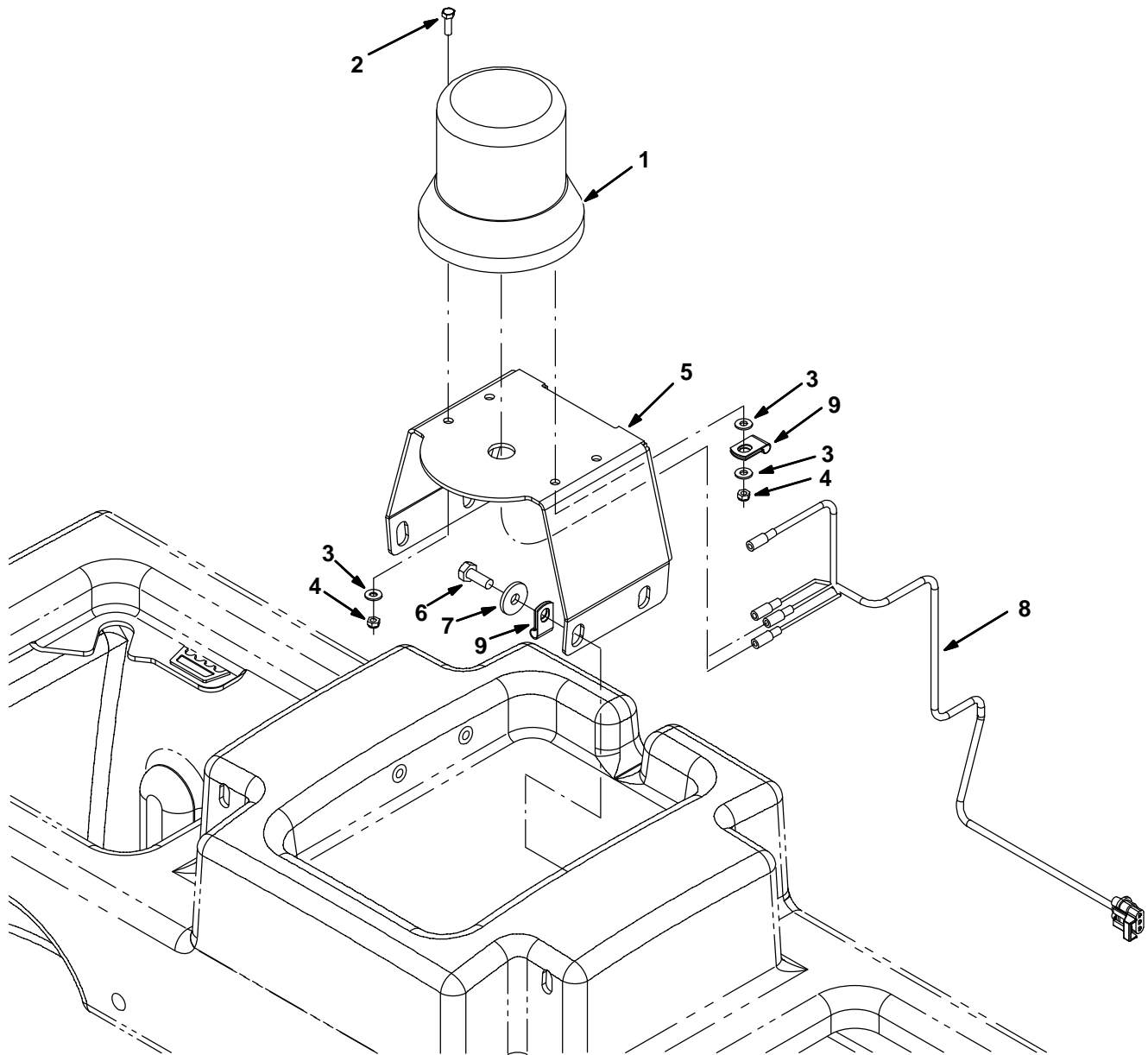


Fig. 30 – Light Kit, Flashing

	Ref.	Part No.	Serial Number	Description	Qty.
▽		9001327	(000000–) Light Kit, Flsh, Ci [M20 And T20]	1
▲▽	1	1017248	(000000–) Lamp, Flasher, Amb [12–48 Vdc]	1
▲▲		9000879	(000000–) Lens, Lamp, Amb, Strobe/Flasher	1
▲▲		9000846	(000000–) Lamp, Bulb, Flsh	1
▲▲		1027800	(000000–) Lens, Blue, Option, F/ Revl / Flsh Light	1
▲▲		1027798	(000000–) Lens, Red, Option, F/ Revl / Flsh Light	1
▲		55272	(000000–) Terminal, Bullet, Mal, .157d, 12ga	2
▲	2	24196	(000000–) Screw, Pan, Phl, M5 X 0.80 X 20, Ss	2
▲	3	19066	(000000–) Washer, Flat, 10	2
▲	4	09739	(000000–) Nut, Hex, Lock, M5 X 0.80, NI, Ss	2
▲	5	1019445	(000000–) Bracket, Sppt, Revl Light	1
▲	6	09740	(000000–) Screw, Hex, M8 X 1.25 X 20, Ss	4
▲	7	1017218	(000000–) Washer, Flat, 0.32b 1.00d .12, Ss	4
▲	8	1019971	(000000–) Harness, Warning / Backup [M20 & T20]	1
▲	9	46236	(000000–) Clamp, Cable, Stl, 0.25D X 0.56W, 1Hole	2

Fig. 31 – Light Kit, Revolving

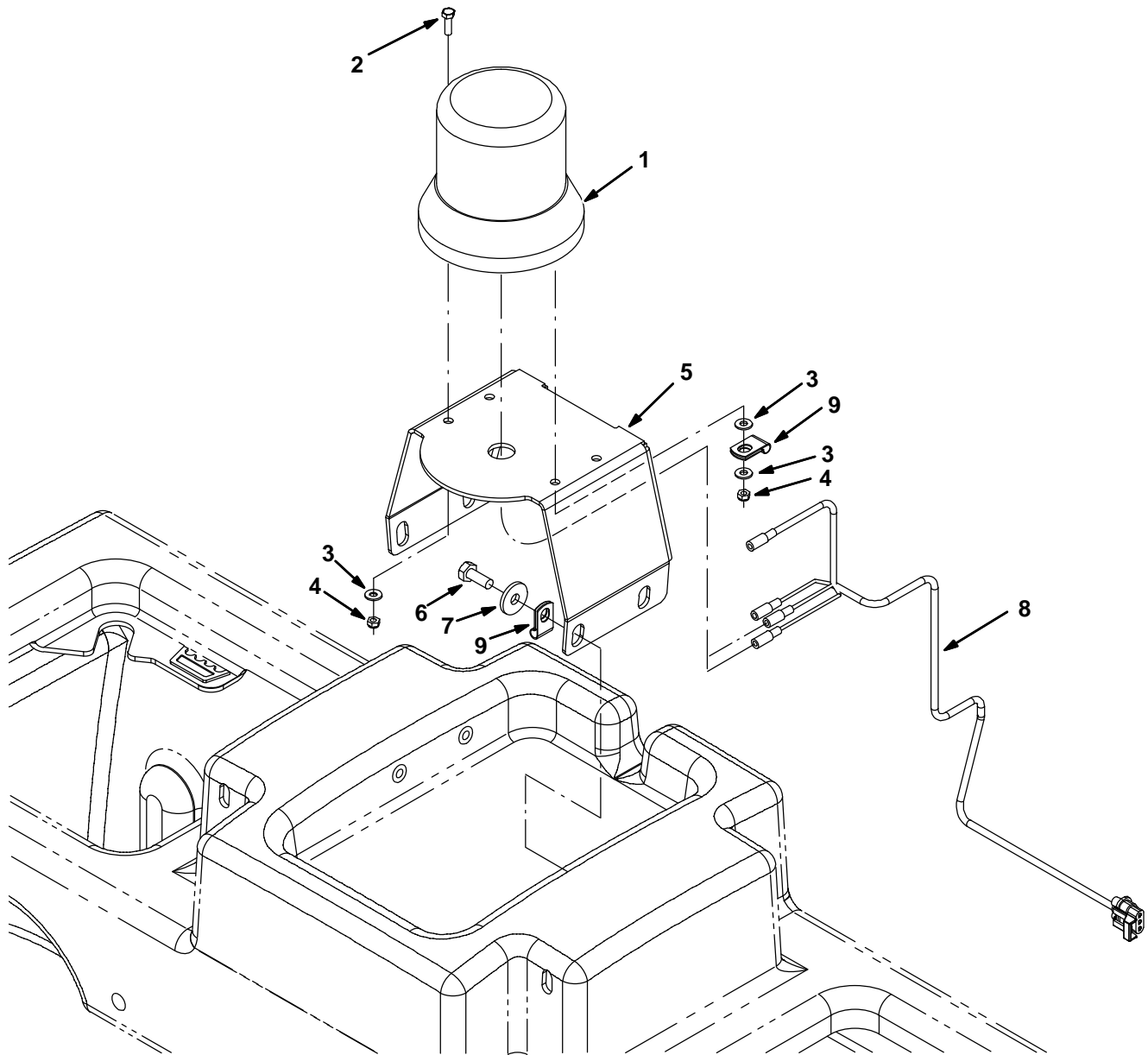
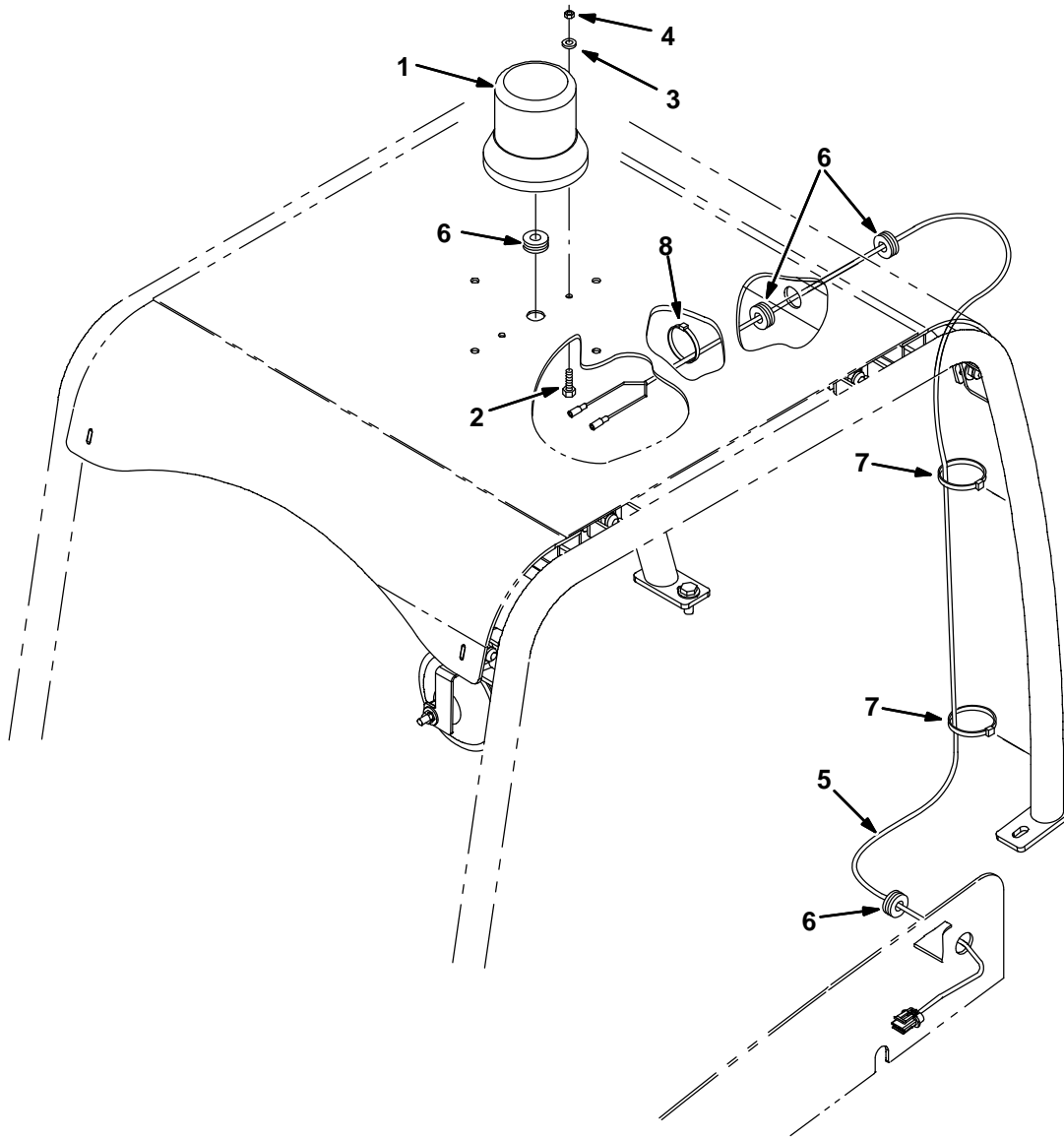


Fig. 31 – Light Kit, Revolving

	Ref.	Part No.	Serial Number	Description	Qty.
▽		9001331	(000000–) Light Kit, Revl, Ci [M20 And T20]	1
▲▽	1	1017250	(000000–) Lamp Strobe, Amb [12–48 Vdc]	1
▲▲		9000879	(000000–) Lens, Lamp, Amb, Strobe/Flasher	1
▲▲		9000845	(000000–) Lamp, Bulb, Strobe	1
▲▲		1027800	(000000–) Lens, Blue, Option, F/ Revl / Flsh Light	1
▲▲		1027798	(000000–) Lens, Red, Option, F/ Revl / Flsh Light	1
▲		55272	(000000–) Terminal, Bullet, Mal, .157d, 12ga	2
▲	2	24196	(000000–) Screw, Pan, Phl, M5 X 0.80 X 20, Ss	2
▲	3	19066	(000000–) Washer, Flat, 10	2
▲	4	09739	(000000–) Nut, Hex, Lock, M5 X 0.80, NI, Ss	2
▲	5	1019445	(000000–) Bracket, Sppt, Revl Light	1
▲	6	09740	(000000–) Screw, Hex, M8 X 1.25 X 20, Ss	4
▲	7	1017218	(000000–) Washer, Flat, 0.32b 1.00d .12, Ss	4
▲	8	1019971	(000000–) Harness, Warning / Backup [M20 & T20]	1
▲	9	46236	(000000–) Clamp, Cable, Stl, 0.25D X 0.56W, 1Hole	2

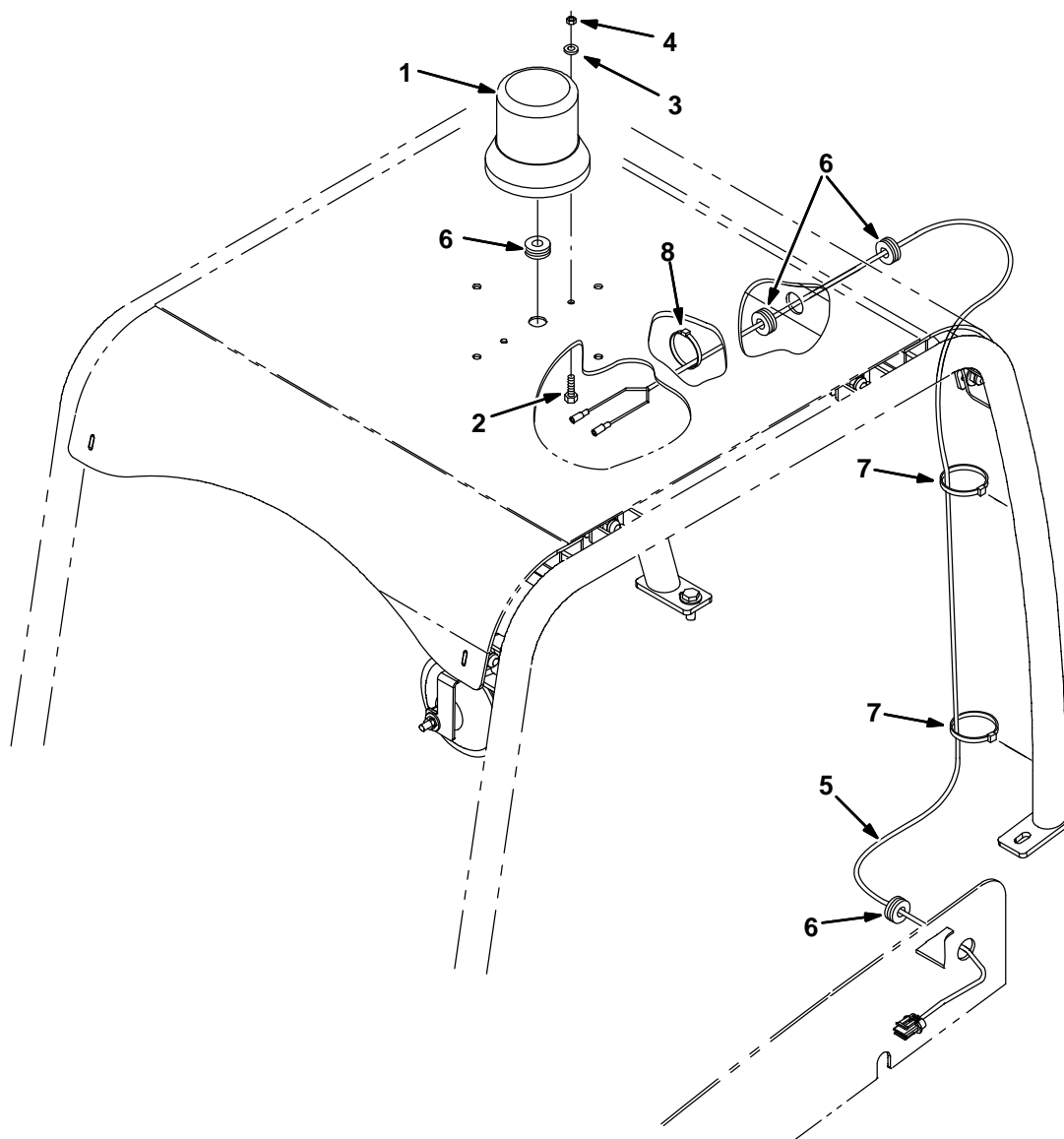
Fig. 32 – Light Kit, Flashing Overhead Guard



354477

Ref.	Part No.	Serial Number	Description	Qty.
▽	9001718	(000000–) Light Kit, Flsh, W/Ohg, Ci[M20 And T20]	1
▲▽	1 1017248	(000000–) Lamp, Flasher, Amb [12–48 Vdc]	1
▲▲	9000879	(000000–) Lens, Lamp, Amb, Strobe/Flasher	1
▲▲	9000846	(000000–) Lamp, Bulb, Flsh	1
▲▲	1027800	(000000–) Lens, Blue, Option, F/ Revl / Flsh Light	1
▲▲	1027798	(000000–) Lens, Red, Option, F/ Revl / Flsh Light	1
▲	55272	(000000–) Terminal, Bullet, Mal, .157d, 12ga	2
▲	2 24196	(000000–) Screw, Pan, Phl, M5 X 0.80 X 20, Ss	2
▲	3 19066	(000000–) Washer, Flat, 10	2
▲	4 09739	(000000–) Nut, Hex, Lock, M5 X 0.80, NI, Ss	2
▲	5 1019647	(000000–) Harness, Warning / Ohg [M20]	1
▲	6 10632–17	(000000–) Grommet, Rbr, 0.50id, F/0.8h, .12 Matl	4
▲	7 763115	(000000–) Tie, Cable, 6.0l, 1.25d Max	4
▲	8 49266	(000000–) Tie, Cable, Nyl, 07.3l .19w 1.8 Max D	2

Fig. 33 – Light Kit, Revolving Overhead Guard



354477

Ref.	Part No.	Serial Number	Description	Qty.
▽	9001717	(000000–) Light Kit, Revl, W/Ohg, Ci [M20 And T20]	1
▲▽	1 1017250	(000000–) Lamp Strobe, Amb [12–48 Vdc]	1
▲▲	9000879	(000000–) Lens, Lamp, Amb, Strobe/Flasher	1
▲▲	9000845	(000000–) Lamp, Bulb, Strobe	1
▲▲	1027800	(000000–) Lens, Blue, Option, F/ Revl / Flsh Light	1
▲▲	1027798	(000000–) Lens, Red, Option, F/ Revl / Flsh Light	1
▲	55272	(000000–) Terminal, Bullet, Mal, .157d, 12ga	2
▲	2 24196	(000000–) Screw, Pan, Phl, M5 X 0.80 X 20, Ss	2
▲	3 19066	(000000–) Washer, Flat, 10	2
▲	4 09739	(000000–) Nut, Hex, Lock, M5 X 0.80, NI, Ss	2
▲	5 1019647	(000000–) Harness, Warning / Ohg [M20]	1
▲	6 10632–17	(000000–) Grommet, Rbr, 0.50id, F/0.8h, .12 Matl	4
▲	7 763115	(000000–) Tie, Cable, 6.0l, 1.25d Max	4
▲	8 49266	(000000–) Tie, Cable, Nyl, 07.3l .19w 1.8 Max D	2

Fig. 34 – Overhead Guard Kit

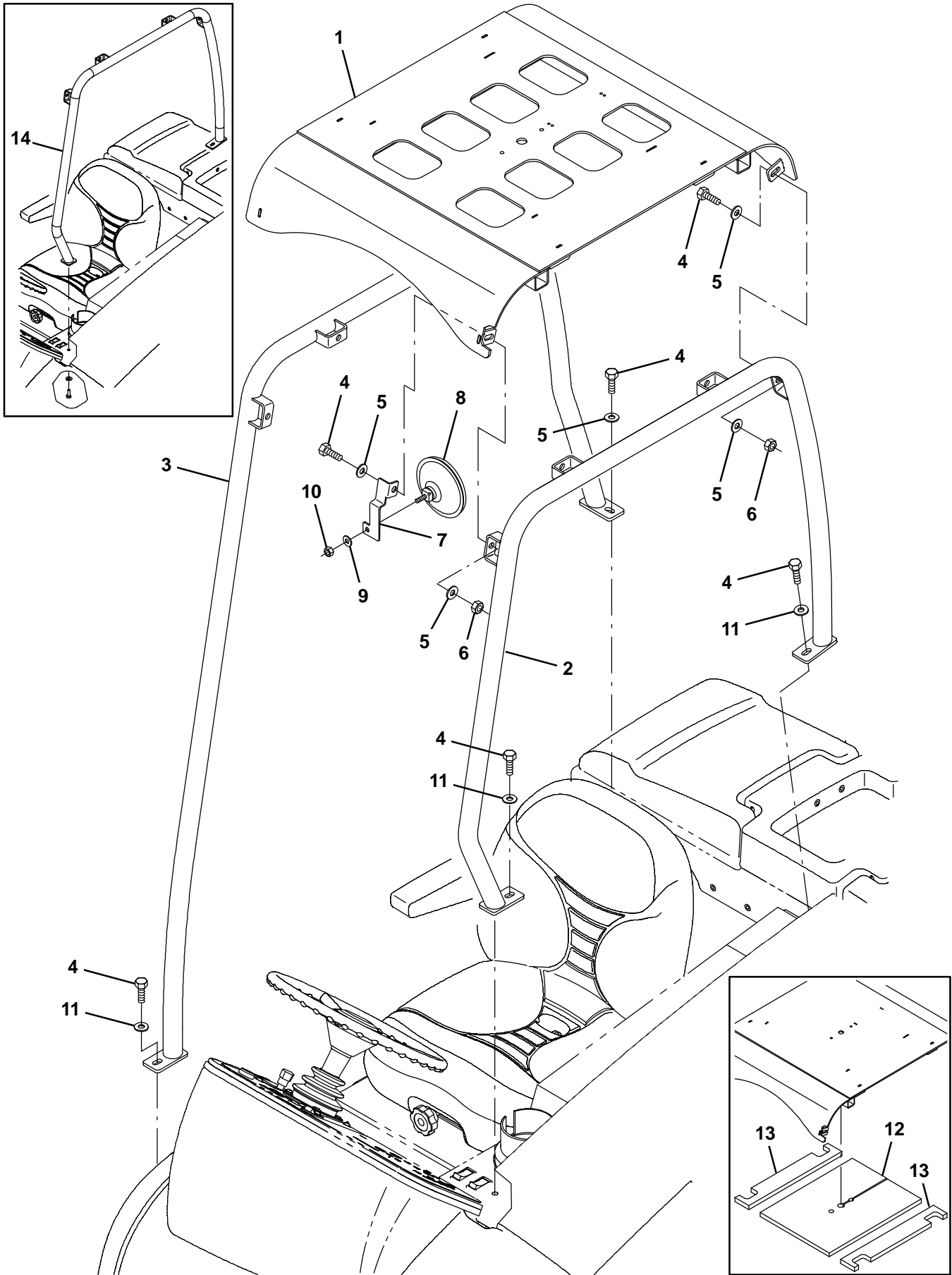


Fig. 34 – Overhead Guard Kit

	Ref.	Part No.	Serial Number	Description	Qty.
▽		9001314	(000000–) Ohg Kit, Ci [M20 And T20]	1
▲	1	1022276	(000000–) Guard Wldt, Top, Ohg	1
▲	2	1069241	(002734–) Tube Wldt, Leg, Ohg, Lh, Pntd	1
▲	3	1069253	(000000–) Tube Wldt, Leg, Ohg, Rh, Pntd	1
▲	4	03192	(000000–) Screw, Hex, M10 X 1.5 X 30, 8.8	12
▲	5	32492	(000000–) Washer, Flat, 0.38 Std	17
▲	6	41430	(000000–) Nut, Hex, Lock, M10 X 1.5, NI	8
▲	7	1023879	(000000–) Bracket, Mtg, Mirror, Rearview	1
▲	8	1050295	(000000–) Mirror, Convex, 0.50D	1
▲	9	32491	(000000–) Washer, Flat, 0.31, Std	1
▲	10	19313	(000000–) Nut, Hex, Std, .31–18	1
▲	11	1014563	(000000–) Washer, Flat, 0.40b 1.12d .12, Ss	3
	12	1032830	(000000–005915) Insulation	1
	13	1032831	(000000–005915) Insulation	2
	14	1022265	(000000–002733) Tube Wldt, Leg, Ohg, Lh, Pntd	1

Fig. 35 – Telemetry Group

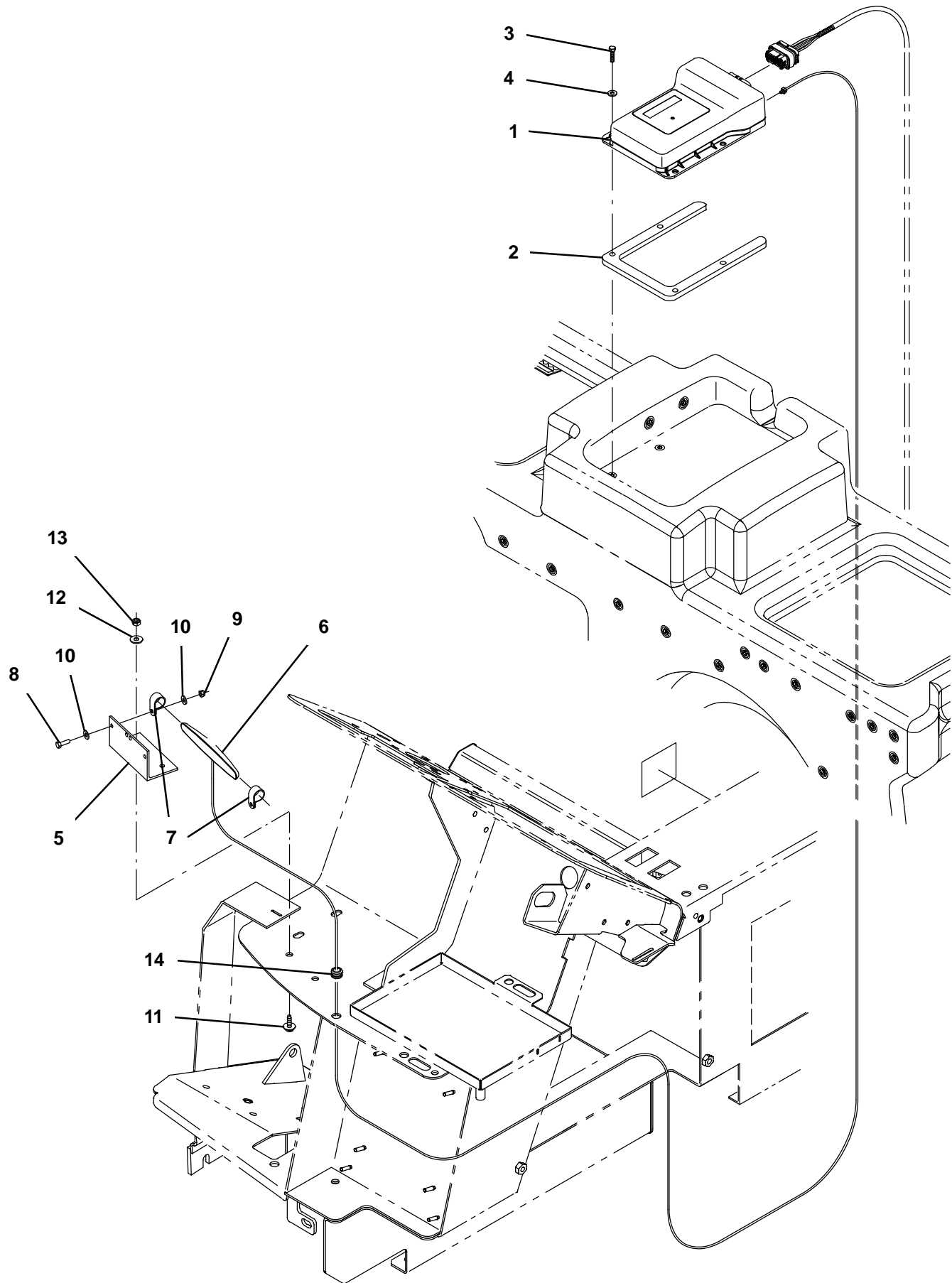
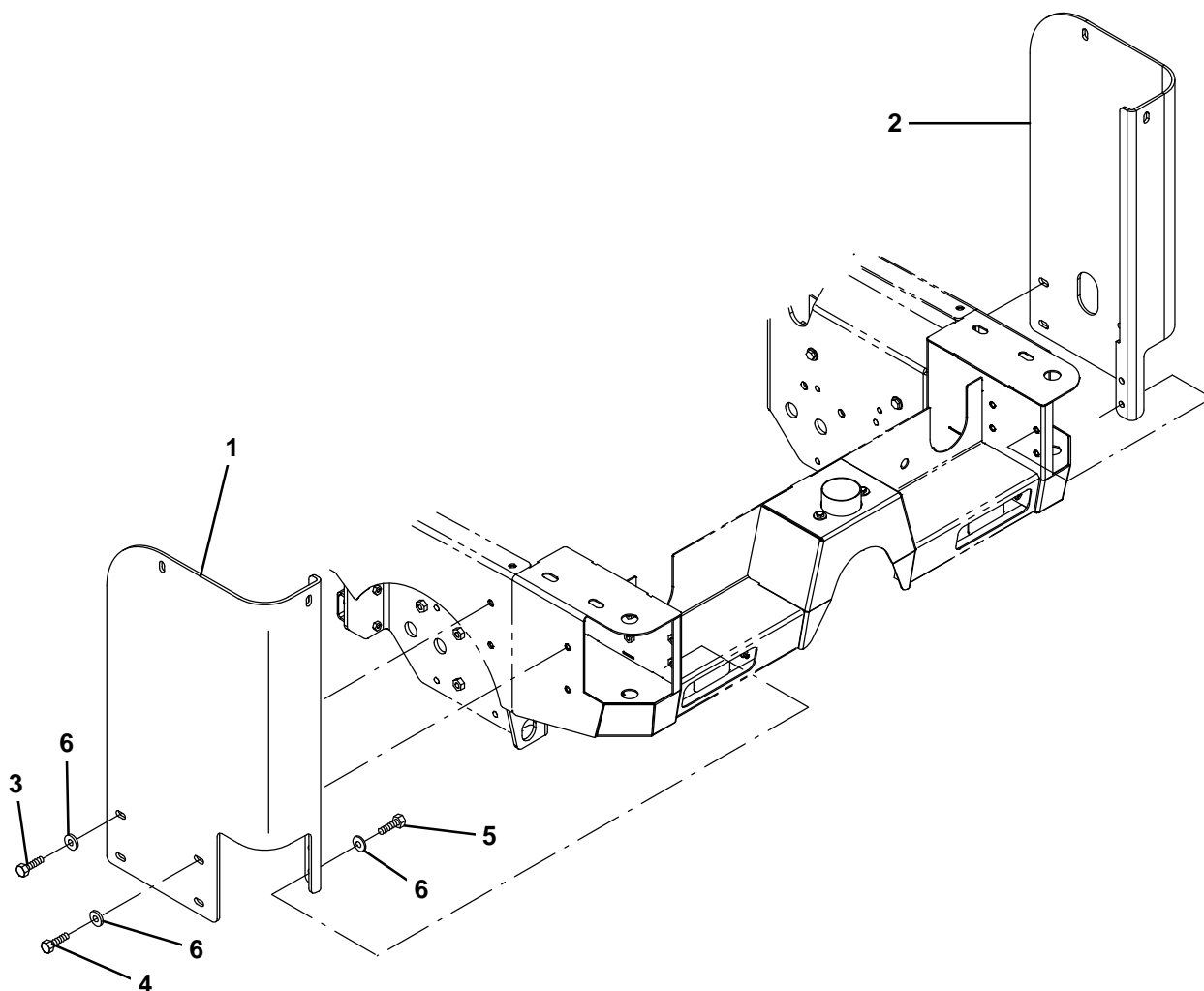


Fig. 35 – Telemetry Group

Ref.	Part No.	Serial Number	Description	Qty.
1	9010085	(000000–) Control Box Assy Kit, Replmt, Telem [USA]	1
1	9010086	(000000–) Control Box Assy Kit, Replmt, Telem [CAN]	1
2	1071062	(000000–) Bracket, Spacer, Controlbox	1
3	09252	(000000–) Screw,Hex, M5 X 0.80 X 29, 8.8	4
4	01683	(000000–) Washer, Flat, 10, Ss	4
5	1070402	(000000–) Angle, mtg, Antenna, Telem	1
6	1070659	(000000–) Antenna, Telem, 70 In [Gprs]	1
7	140916	(000000–) Clamp, Cable, Nyl, 0.62D, Nat	2
8	24199	(000000–) Screw, Hex, M5 X 0.80 X 16, Ss	2
9	06549	(000000–) Nut, Hex, Lock, M5 X 0.80, NI	2
10	01683	(000000–) Washer, Flat, 10, Ss	4
11	1040467	(000000–) Screw, hex, H6 X 1.00 X 20, 9.8, Sems	2
12	01684	(000000–) Washer, Flat, 0.27B 0.69D .05, Ss	2
13	08712	(000000–) Nut, hex, Lock, M6 X 1.00, NI, Ss	2
14	10632–12	(000000–) Grommet, Rbr, 0.38id, F/0.5H, .12 Matl	1

Fig. 37 – Heavy Duty Bumper Kit



354537

Ref.	Part No.	Serial Number	Description	Qty.
▽	9003142	(000000–) Bumper Kit, Hd, Ci [T20]	1
▲	1 1027850	(000000–) Plate, Bmpr, Lh	1
▲	2 1027588	(000000–) Plate, Bmpr, Rh	1
▲	3 06962	(000000–) Screw, Hex, M10 X 1.50 X 45, 8.8	4
▲	4 09028	(000000–) Screw, Hex, M10 X 1.50 X 25, Ss	4
▲	4 03192	(000000–) Screw, Hex, M10 X 1.50 X 30, 8.8	4
▲	4 32492	(000000–) Washer, Flat, 0.38, Std	12

Fig. 38 – Vacuum Wand Kit

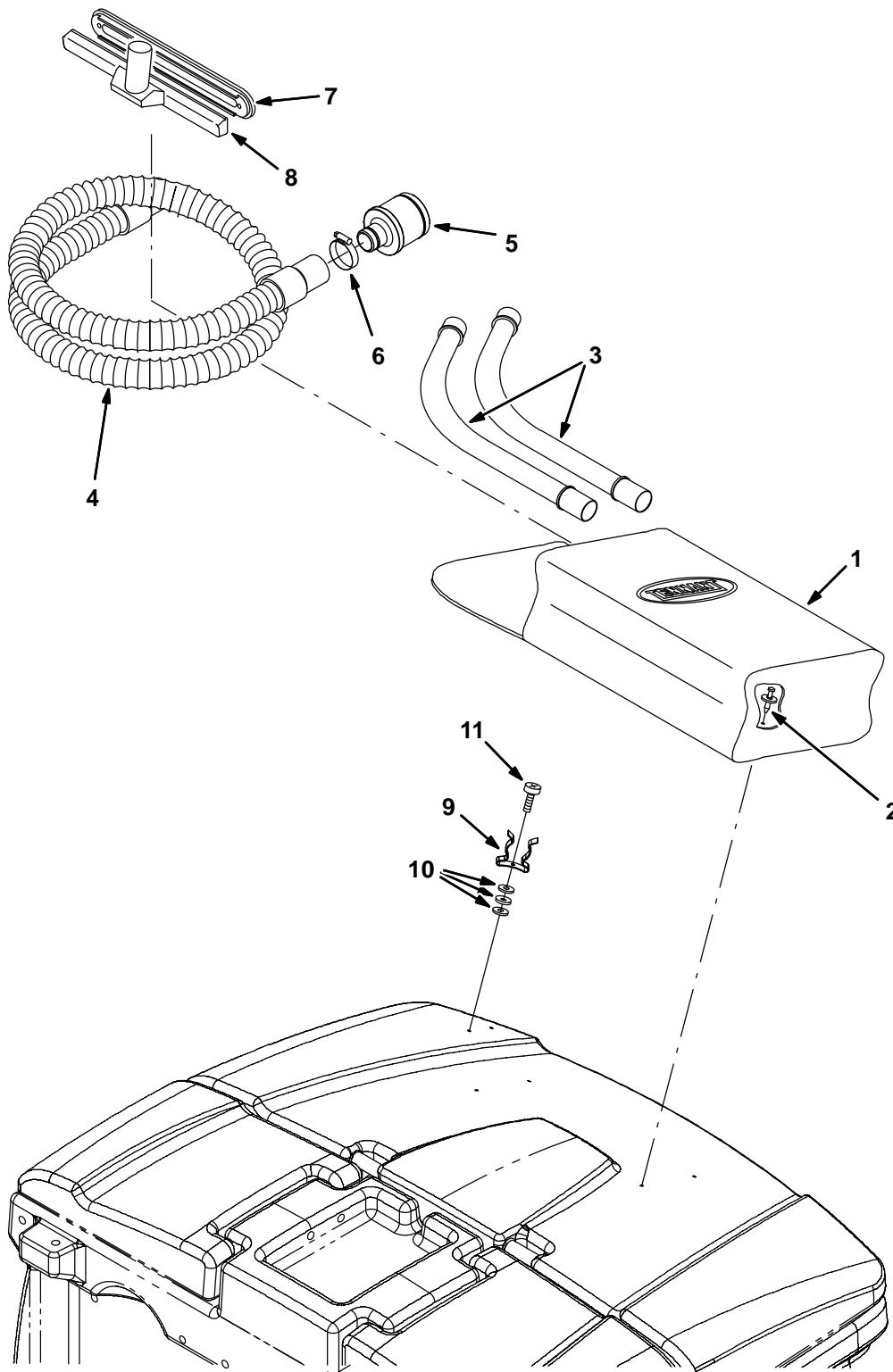


Fig. 38 – Vacuum Wand Kit

	Ref.	Part No.	Serial Number	Description	Qty.
▽		9003134	(000000–) Wand Kit, Vac, Sqge, Ci [T20]	1
▲	1	65580	(000000–) Bag, Power	1
▲	2	72968	(000000–) Rivet, Plstc, .250 X 0.898	4
▲	3	63448	(000000–) Tube, Wand, Vacuum, Metal [1pick=1box]	1
▲	4	86767	(000000–) Hose Assy, W/2cuff, 1.5d 90l 1.5/1.5	1
▲	5	1029396	(000000–) Fitting, Alm, Str, Bm24/Bm48	1
▲	6	79381	(000000–) Clamp, Hose, Wormdrive, 1.25–2.00D, .50W	1
▲	7	63430	(000000–) Shoe, Plstc, Sqge, 14.0	1
▲	8	63451	(000000–) Nozzle, Wand, Plstc, 14.0lg	1
▲	9	67004	(000000–) Clip, Grip, Finger, 1.00–1.88d White,Vyl	2
▲	10	19064	(000000–) Washer, Flat, #06	6
▲	11	55845	(000000–) Screw, Hex, M5 X 0.8 X 16, Fmg	2

Fig. 39 – Power Wand Hose Assembly

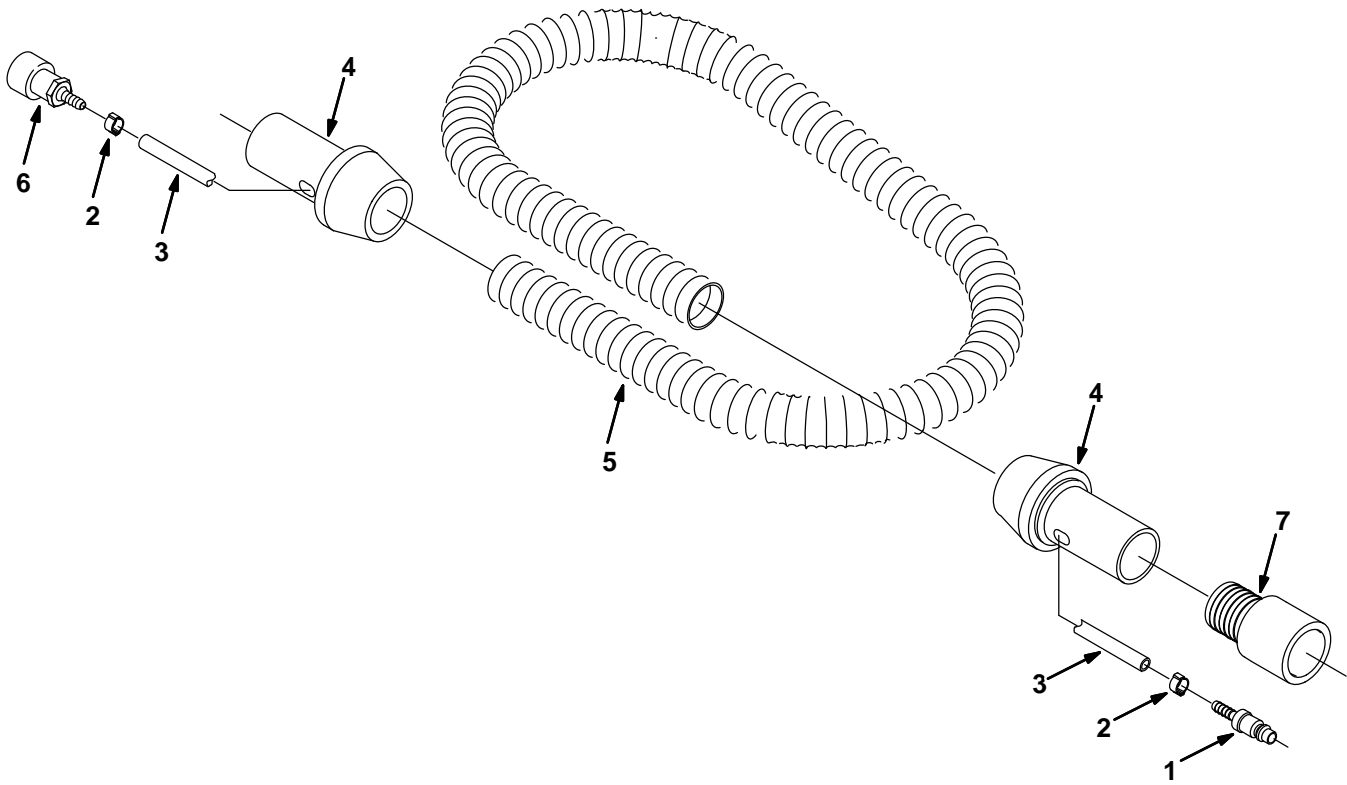


Fig. 39 – Power Wand Hose Assembly

NOTE: Power Wand Kit, Tennant Part Number 9003138, includes; Fig. 39, Fig. 40, and Fig. 41.

NOTE: Power Wand Kit with spray nozzle, Tennant Part Number 9003137, includes; Fig. 39, Fig. 40, and Fig. 42.

	Ref.	Part No.	Serial Number	Description	Qty.
▽		65341	(000000–) Hose Assy, Wand, Power	1
▲	1	578318000	(000000–) Fitting, Stl, Qdc, Bm04	1
▲	2	578160000	(000000–) Clamp, Hose, Ear, 11–13mm, Ss	2
▲	3	578820000	(000000–) Hose, Pvc, Brd, 0.25id 0.44od 157.2l,Clr	1
▲	4	578072000	(000000–) Cuff, Swivel, 1.5 Blk	2
▲	5	578276000	(000000–) Hose, Vacuum, 1.50id X 10ft, Gray	1
▲	6	578071000	(000000–) Fitting, Brs, Qdc, Bm04/Pf04	1
	7	1029396	(000000–) Fitting, Alm, Str, Bm24/Bm48	1

Fig. 40 – Power Wand Assembly

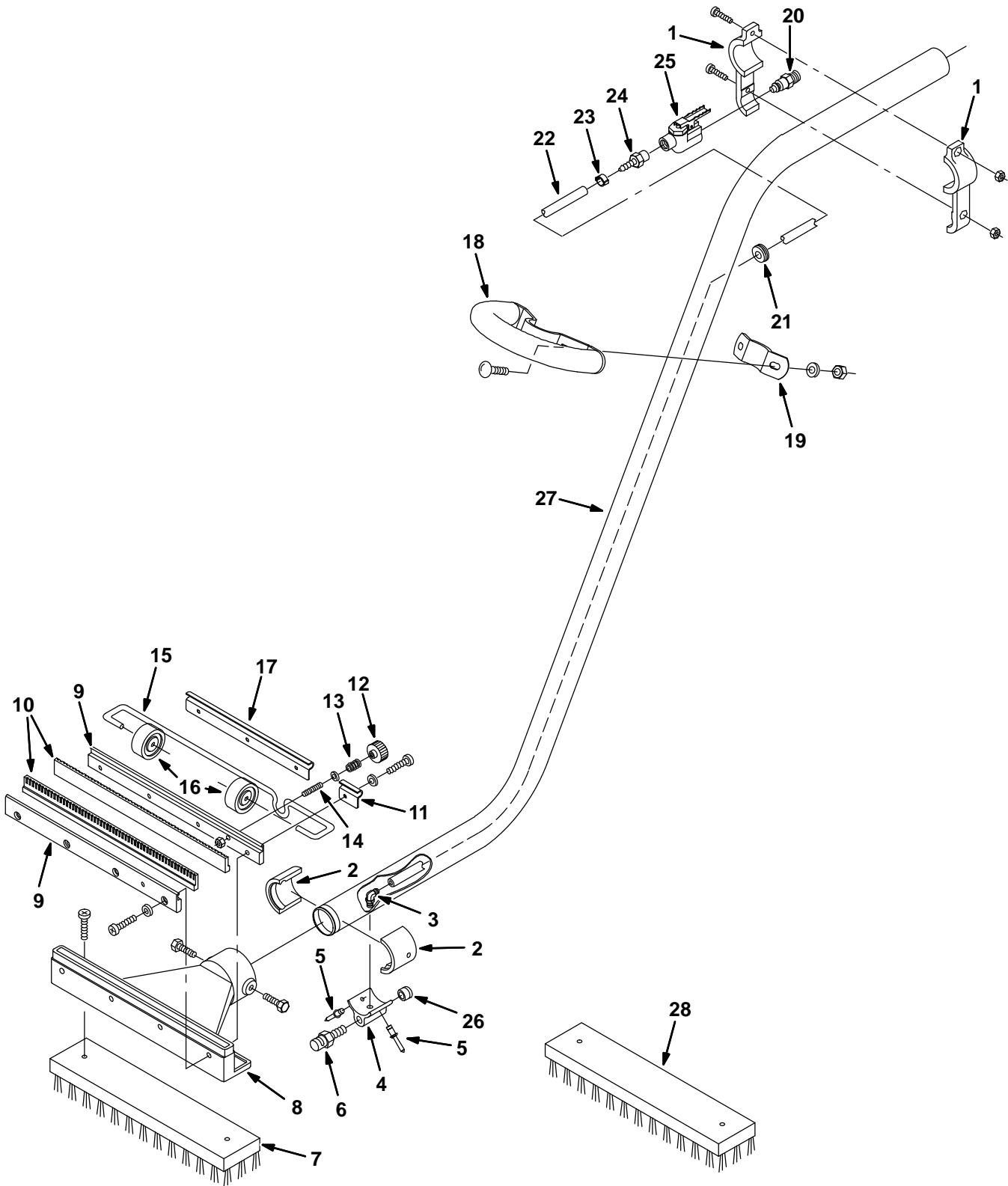


Fig. 40 – Power Wand Assembly

NOTE: Power Wand Kit, Tennant Part Number 9003138, includes; Fig. 39, Fig. 40, and Fig. 41.

NOTE: Power Wand Kit with spray nozzle, Tennant Part Number 9003137, includes; Fig. 39, Fig. 40, and Fig. 42.

Ref.	Part No.	Serial Number	Description	Qty.
▽	65340	(000000–) Wand Assy, Power	1
▲	1 578077000	(000000–) Bracket, Wand, Valve Mtg	1
▲	2 578061000	(000000–) Adapter, Head / Wand [17b/E]	2
▲	3 578214000	(000000–) Fitting, Plstc, E90, Bm04/Pm02	1
▲	4 579112	(000000–) Fitting Spray Nozzle Adapter	1
▲	5 602036000	(000000–) Rivet, Blind [S2500 Drvblock]	2
▲	6 578066000	(000000–) Fitting, Brs, Tip [75, .125k–Jet]	1
▲	7 65610	(000000–) Brush, Power Wand, W/ FaSTener, Pyp	1
▲	8 578063000	(000000–) Head, Wand [17b/E]	1
▲	9 578078000	(000000–) Retainer, Sqge, Wand [17b/E]	2
▲	10 578074000	(000000–) Blade, Sqge, 300.8mml, Wand [17b/E, G]	2
▲	11 578124000	(000000–) Bracket, Axle, 1 Hole [17b/E]	1
▲	12 578439	(000000–) Nut, Thumb, M6 X 1.0, 30d	1
▲	13 578228000	(000000–) Spring, Cmpr, 0.40od .04wir 00.6l, Ss	1
▲	14 578143000	(000000–) Screw, Set, M6 X 1.00 X 40, Ss [Cuppt]	1
▲	15 578126000	(000000–) Axle, Wand [17b/E]	1
▲	16 578125000	(000000–) Wheel, 41.3d 19.1w, Rbr	2
▲	17 578123000	(000000–) Bracket, Axle, 3 Hole [17b/E]	1
▲	18 578155000	(000000–) Handle Wldt, Wand	1
▲	19 578154000	(000000–) Bracket, Wand, Handle	1
▲	20 578091000	(000000–) Fitting, Brs, Qdc, Pm04, Plug	1
▲	21 578164000	(000000–) Grommet, 0.38id, F/0.6h, .06 Matl	1
▲	22 578821000	(000000–) Hose, Pyu, 0.25id 0.38od 1220mml, Blk	1
▲	23 578161000	(000000–) Clamp, Hose, Ear, 8–11mm, Ss	2
▲	24 578094000	(000000–) Fitting, Nyl, Str, Bm04/Pm04	1
▲	25 578064000	(000000–) Valve, Cntrl, Water	1
▲	26 150208	(000000–) Fitting, Brs, Str, Pm02, Plug [Skhd]	1
▲	27 578060000	(000000–) Wand, Dbl Bend, 38.1mmd	1
▲	28 65582	(000000–) Brush, Power Wand, W/ FaSTener, Abr	1

Fig. 41 – Power Wand Pump and Mount Group

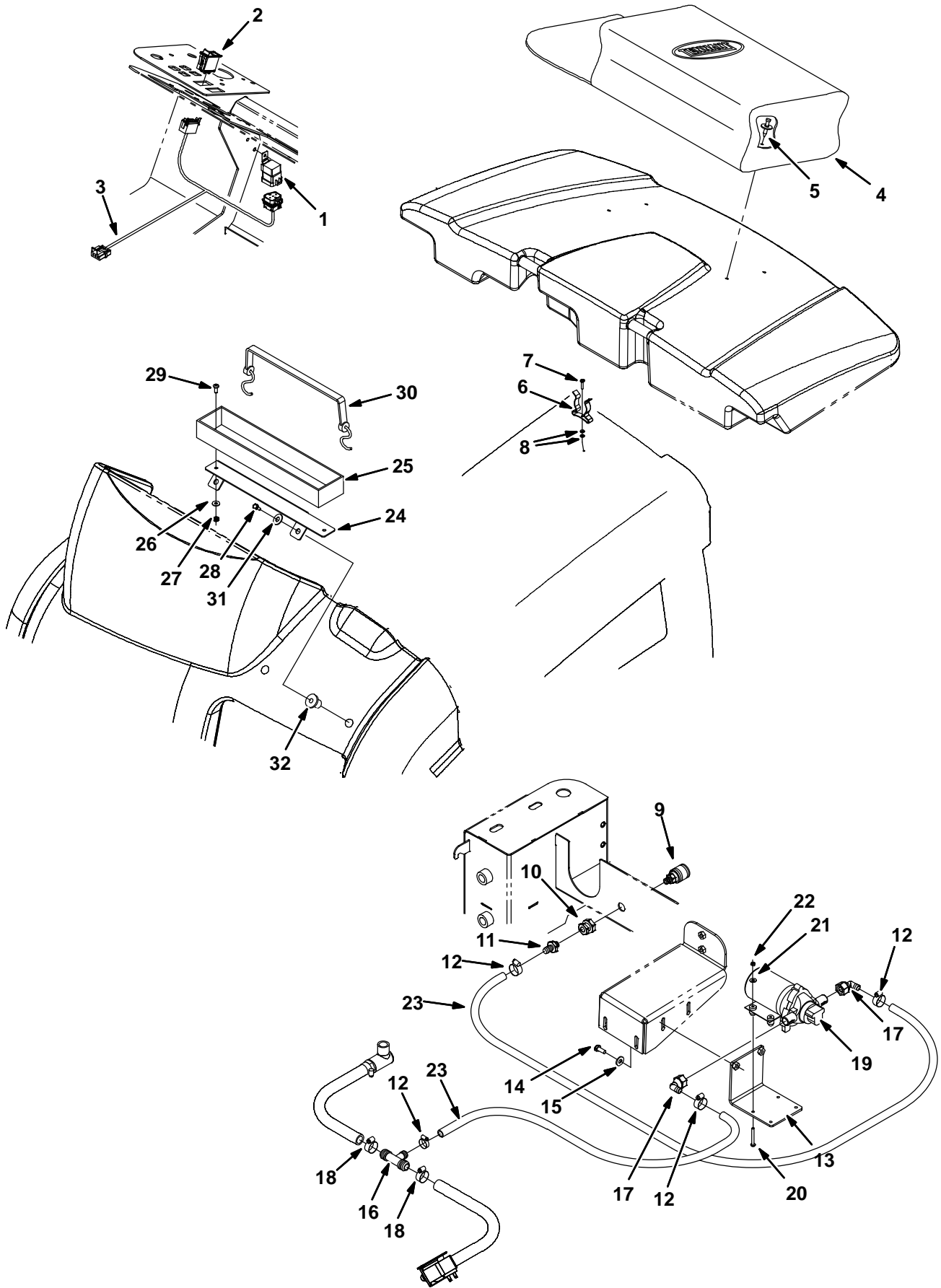


Fig. 41 – Power Wand Pump and Mount Group

NOTE: Power Wand Kit, Tennant Part Number 9003138, includes; Fig. 39, Fig. 40, and Fig. 41.

Ref.	Part No.	Serial Number	Description	Qty.
1	56186	(000000–)	Relay, 12vdc, 040a, Spdt No	1
2	398500	(000000–)	Switch, Rocker, Dpdt, On / None / On	1
3	1021881	(000000–)	Harness, Spray, Nozzle	1
4	65580	(000000–)	Bag, Power	1
5	72968	(000000–)	Rivet, Plstc, .250d X 0.90	4
6	67004	(000000–)	Clip, Grip, Finger, 1.00–1.88d White,Vyl	1
7	09228	(000000–)	Screw, Hex, M4 X 0.7 X 20, 8.8	1
8	19064	(000000–)	Washer, Flat, #06	2
9	65342	(000000–)	Fitting, Brs, Qdc, Pm04/Qf06	1
10	78122	(000000–)	Fitting, Brs, Str, Pf04/Pf04, Bh	1
11	48610	(000000–)	Fitting, Plstc, Str, Bm08/Pm04	1
12	54333	(000000–)	Clamp, Hose, Wormdrive, 0.31–0.88d, .31w	4
13	1023585	(000000–)	Bracket, Mtg, Pump	1
14	09740	(000000–)	Screw, Hex, M8 X 1.25 X 20, Ss	2
15	32491	(000000–)	Washer, Flat, 0.31, Std	2
16	385644	(000000–)	Fitting, Plstc, Tee, Bm08/Bm12/Bm12, Br	1
17	1018499	(000000–)	Fitting, Plstc, E90, Bm08/Pf08s, Swivel	2
18	63810	(000000–)	Clamp, Hose, Wormdrive, 0.56–1.06d, .56w	2
19	1026743	(000000–)	Pump, Diaphragm	1
20	06939	(000000–)	Screw, Pan, M5 X 0.80 X 45, 4.8	4
21	19066	(000000–)	Washer, Flat, #10	4
22	06549	(000000–)	Nut, Hex, Lock, M5 X 0.80, NI	4
23	1011837	(000000–)	Hose, Afmkt, Pvc, Brd, 0.50id, 12ft, Clr	1
24	1030407	(000000–)	Bracket, Mtg, Wand	1
25	61212	(000000–)	Tray	1
26	01684	(000000–)	Washer,Flat 0.25, Ss	2
27	08712	(000000–)	Nut, Hex, Lock, M6 X 1.00, Ss, NI	2
28	21198	(000000–)	Screw, Hex, .38–16 X 1.25, G5	2
29	367770	(000000–)	Screw, Pan, M6 X 1.0 X 16, Ss	2
30	57769	(000000–)	Strap, Rbr, 13.2l [2/S Hooks]	1
31	32492	(000000–)	Washer, Flat, 0.38, Std	2
32	397648	(000000–)	Nut, Isolator, .38–16 Wall Th .015–.437	2

Fig. 42 – Power Wand Pump and Mount Group with Spray Nozzle

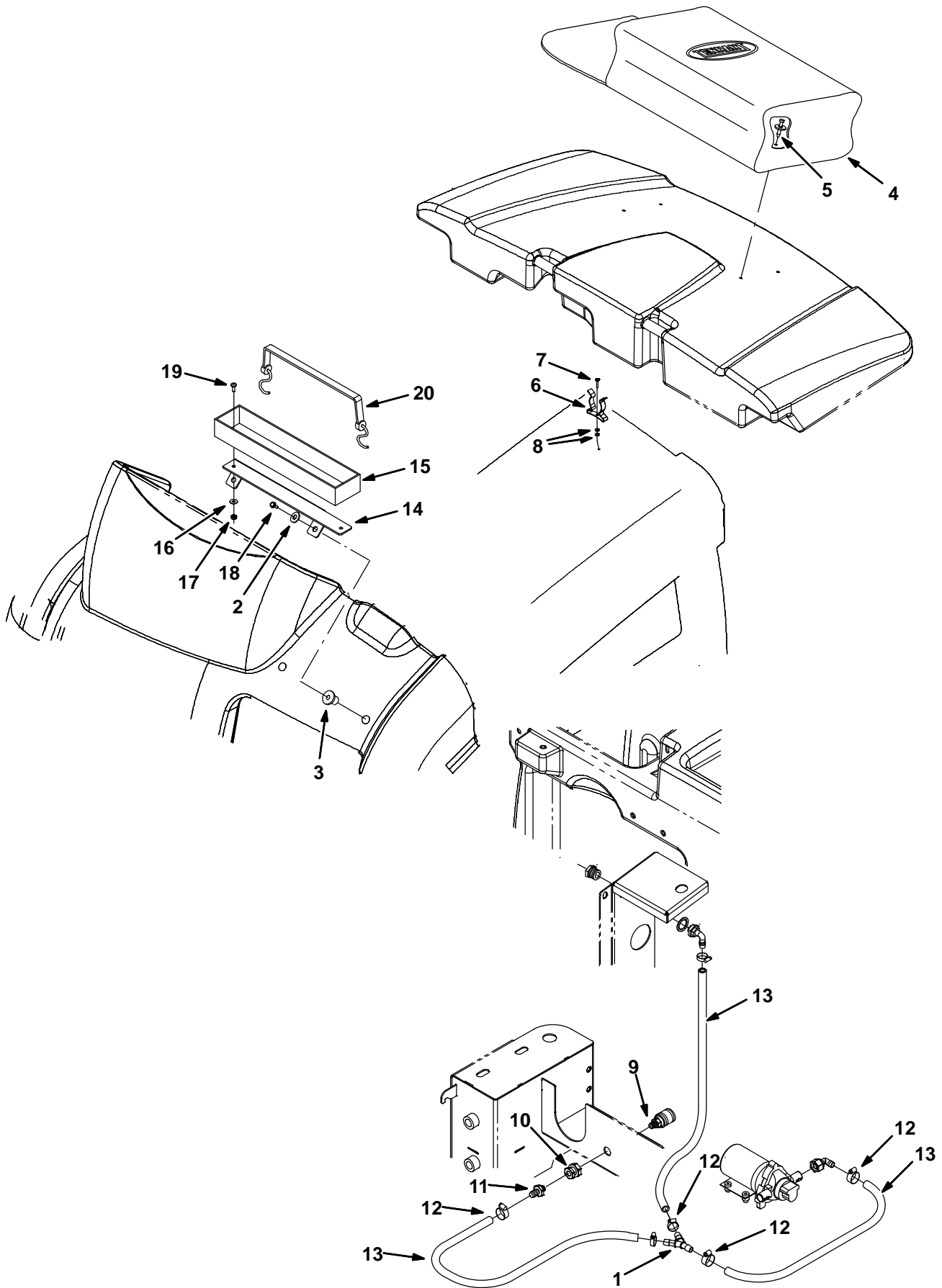


Fig. 42 – Power Wand Pump and Mount Group with Spray Nozzle

NOTE: Power Wand Kit with spray nozzle, Tennant Part Number 9003137, includes; Fig. 39, Fig. 40, and Fig. 42.

Ref.	Part No.	Serial Number	Description	Qty.
1	1010668	(000000–) Fitting, Plstc, Y, Bm08/Bm08/Bm08, Nyl	1
2	32492	(000000–) Washer, Flat, 0.38, Std	2
3	397648	(000000–) Nut, Isolator, .38–16 Wall Th .015–.437	2
4	65580	(000000–) Bag, Power	1
5	72968	(000000–) Rivet, Plstc, .250d X 0.90	4
6	67004	(000000–) Clip, Grip, Finger, 1.00–1.88d White,Vyl	1
7	09228	(000000–) Screw, Hex, M4 X 0.7 X 20, 8.8	1
8	19064	(000000–) Washer, Flat, #06	2
9	65342	(000000–) Fitting, Brs, Qdc, Pm04/Qf06	1
10	78122	(000000–) Fitting, Brs, Str, Pf04/Pf04, Bh	1
11	48610	(000000–) Fitting, Plstc, Str, Bm08/Pm04	1
12	54333	(000000–) Clamp, Hose, Wormdrive, 0.31–0.88d, .31w	4
13	1011837	(000000–) Hose, Afmkt, Pvc, Brd, 0.50id, 12ft, Clr	1
14	1030407	(000000–) Bracket, Mtg, Wand	1
15	61212	(000000–) Tray	1
16	01684	(000000–) Washer,Flat 0.25, Ss	2
17	08712	(000000–) Nut, Hex, Lock, M6 X 1.00, Ss, NI	2
18	21198	(000000–) Screw, Hex, .38–16 X 1.25, G5	2
19	367770	(000000–) Screw, Pan, M6 X 1.0 X 16, Ss	2
20	57769	(000000–) Strap, Rbr, 13.2l [2/S Hooks]	1

Fig. 43 – Spray Nozzle Kit

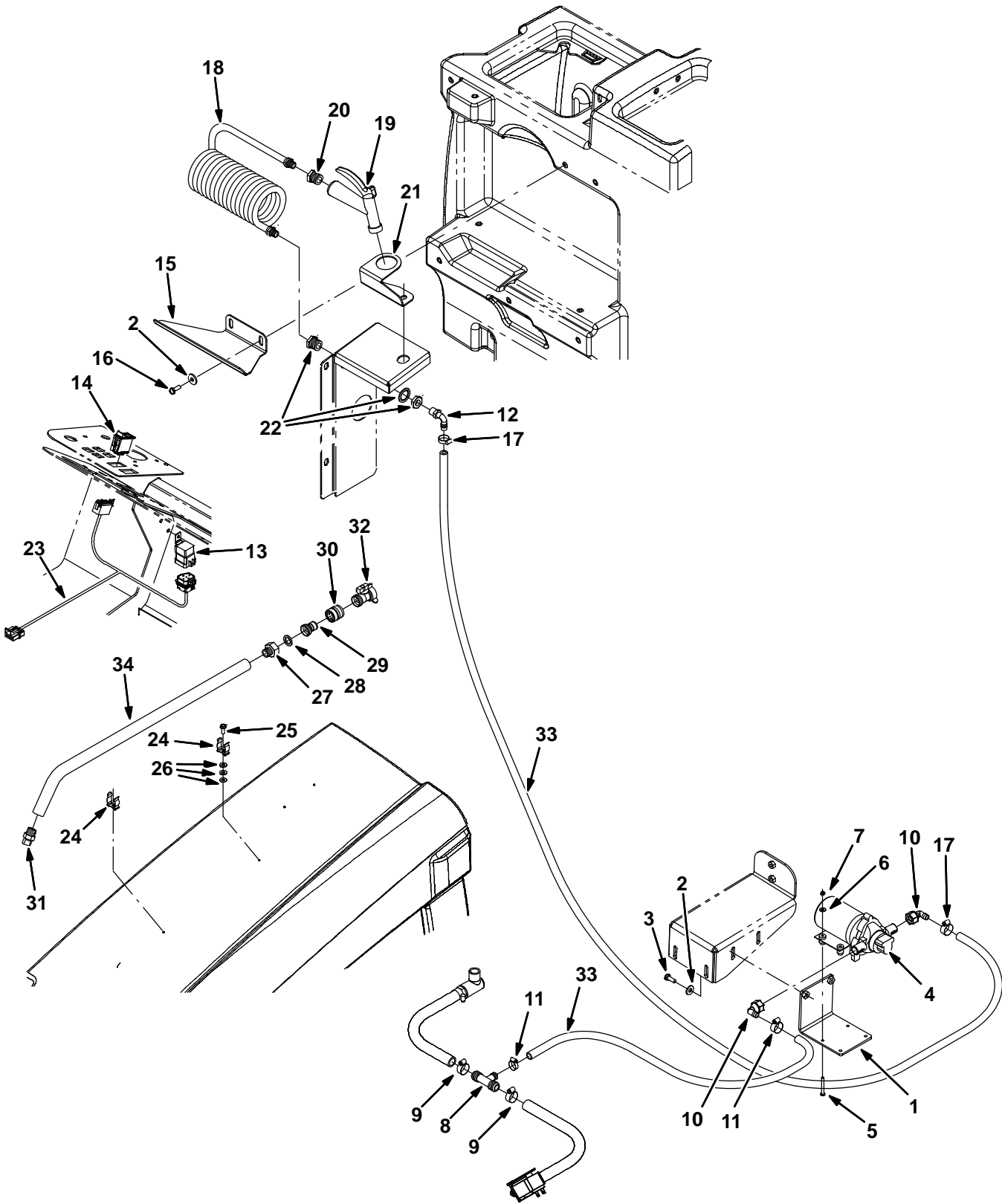


Fig. 43 – Spray Nozzle Kit

Ref.	Part No.	Serial Number	Description	Qty.
▽	9003139	(000000–) Nozzle kit, Spray, Ci [T20]	1
▲	1 1023585	(000000–) Bracket, Mtg, Pump	1
▲	2 32491	(000000–) Washer, Flat, 0.31, Std	2
▲	3 09740	(000000–) Screw, Hex, M8 X 1.25 X 20, Ss	4
▲	4 1026743	(000000–) Pump, Diaphragm	1
▲	5 06939	(000000–) Screw, Pan, M5 X 0.80 X 45, 4.8	4
▲	6 19066	(000000–) Washer, Flat, #10	4
▲	7 06549	(000000–) Nut, Hex, Lock, M5 X 0.80, NI	4
▲	8 385644	(000000–) Fitting, Plstc, Tee, Bm08/Bm12/Bm12, Br	1
▲	9 63810	(000000–) Clamp, Hose, Wormdrive, 0.56–1.06d, .56w	2
▲	10 1018499	(000000–) Fitting, Plstc, E90, Bm08/Pf08s, Swivel	1
▲	11 54333	(000000–) Clamp, Hose, Wormdrive, 0.31–0.88d, .31w	2
▲	12 64778	(000000–) Fitting, Plstc, E90, Bm08/Pm06	1
▲	13 56186	(000000–) Relay, 12vdc, 040a, Spdt No	1
▲	14 398500	(000000–) Switch, Rocker, Dpdt, On / None / On	1
▲	15 1029790	(000000–) Bracket, Mtg, Spray Wand [FaST, Conv]	1
▲	16 1017218	(000000–) Washer, Flat, 0.32b 1.00d .12, Ss	2
▲	17 63810	(000000–) Clamp, Hose, Wormdrive, 0.56–1.06d, .56w	2
▲	18 1019250	(000000–) Hose, Water, Coil, 0.38id 0.56od	1
▲	19 769785	(000000–) Nozzle, Spray, Gun	1
▲	20 1027976	(000000–) Fitting, Brs, Str, Pf06/Pm12	1
▲	21 1027237	(000000–) Bracket, Mtg, Spray Handle	1
▲	22 1027978	(000000–) Fitting, Brs, Str, Pf06/Pf06 Bh	1
▲	23 1021881	(000000–) Harness, Spray, Nozzle	1
▲	24 1029057	(000000–) Clip, Grip, Finger, .875–1.25	2
▲	25 20394	(000000–) Screw, Hex, #10–16 X 0.62, Fmg [Ab]	2
▲	26 01683	(000000–) Washer, Flat, #10, Ss	6
▲	27 375321	(000000–) Fitting, Brs, Str, Pm08/Garden Hose	1
▲	28 01316	(000000–) Washer, Flat, 0.66b 1.00d .12, Rbr	1
▲	29 1029153	(000000–) Fitting, Brs, Spcl [Garden Hose]	1
▲	30 1029155	(000000–) Coupling, Nozzle, Spray	1
▲	31 1029156	(000000–) Nozzle	1
▲	32 1029399	(000000–) Valve, Shutoff	1
▲	33 1011837	(000000–) Hose, Afmkt, Pvc, Brd, 0.50id, 12ft, Clr	1
▲	34 1029055	(000000–) Wand, Clean–Out	1

Fig. 44 – Spray Nozzle Kit with Power Wand

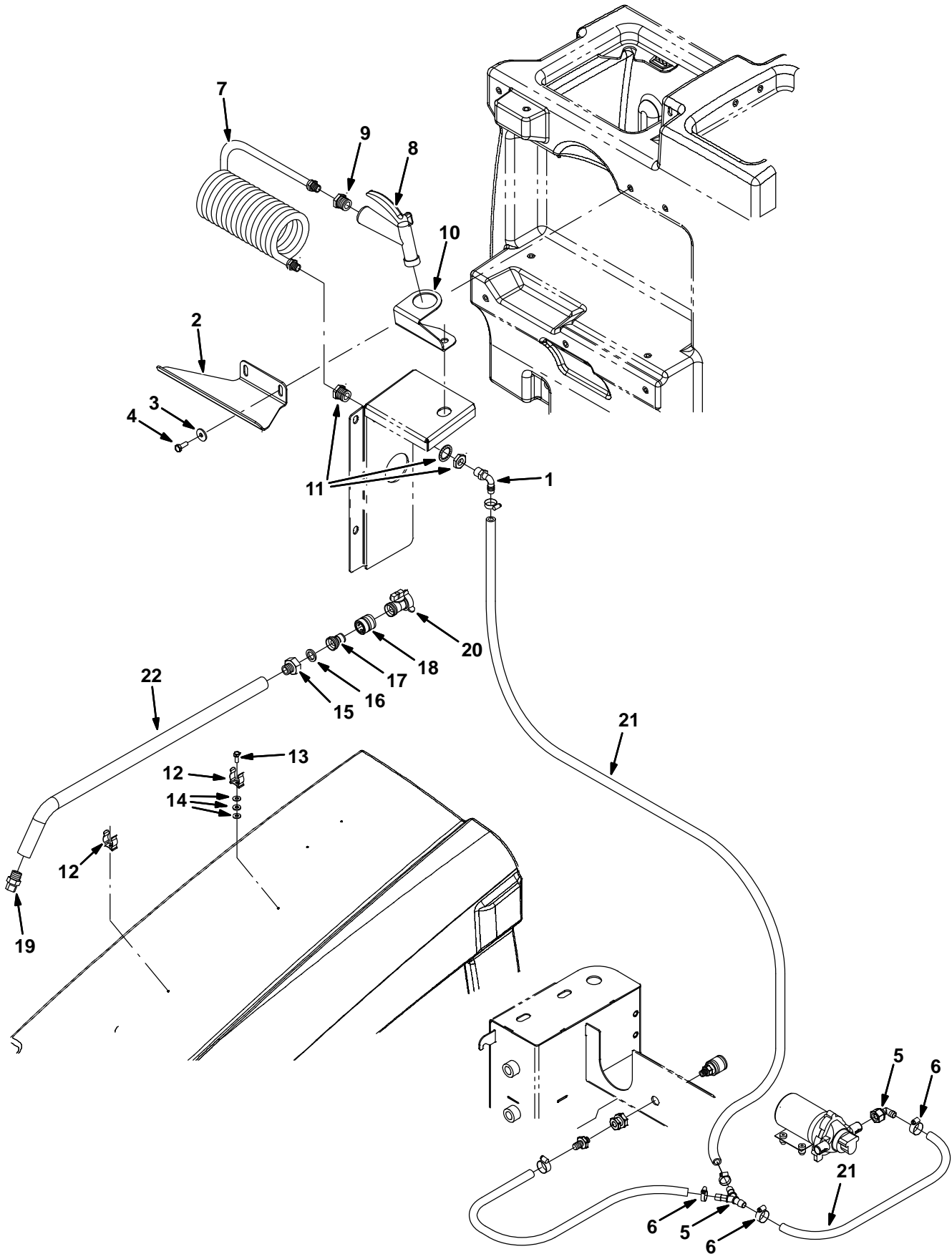


Fig. 44 – Spray Nozzle Kit with Power Wand

Ref.	Part No.	Serial Number	Description	Qty.
▽	9003282	(000000–) Nozzle Kit, Spray, W/Pwr Wand, Ci [T20]	1
▲	1 64778	(000000–) Fitting, Plstc, E90, Bm08/Pm06	1
▲	2 1029790	(000000–) Bracket, Mtg, Spray Wand [FaST, Conv]	1
▲	3 1017218	(000000–) Washer, Flat, 0.32b 1.00d .12, Ss	2
▲	4 09740	(000000–) Screw, Hex, M8 X 1.25 X 20, Ss	2
▲	5 1010668	(000000–) Fitting, Plstc, Y, Bm08/Bm08/Bm08, Nyl	1
▲	6 63810	(000000–) Clamp, Hose, Wormdrive, 0.56–1.06d, .56w	2
▲	7 1019250	(000000–) Hose, Water, Coil, 0.38id 0.56od	1
▲	8 769785	(000000–) Nozzle, Spray, Gun	1
▲	9 1027976	(000000–) Fitting, Brs, Str, Pf06/Pm12	1
▲	10 1027237	(000000–) Bracket, Mtg, Spray Handle	1
▲	11 1027978	(000000–) Fitting, Brs, Str, Pf06/Pf06 Bh	1
▲	12 1029057	(000000–) Clip, Grip, Finger, .875–1.25	2
▲	13 20394	(000000–) Screw, Hex, #10–16 X 0.62, Fmg [Ab]	2
▲	14 01683	(000000–) Washer, Flat, #10, Ss	6
▲	15 375321	(000000–) Fitting, Brs, Str, Pm08/Garden Hose	1
▲	16 01316	(000000–) Washer, Flat, 0.66b 1.00d .12, Rbr	1
▲	17 1029153	(000000–) Fitting, Brs, Spcl [Garden Hose]	1
▲	18 1029155	(000000–) Coupling, Nozzle, Spray	1
▲	19 1029156	(000000–) Nozzle	1
▲	20 1029399	(000000–) Valve, Shutoff	1
▲	21 1011837	(000000–) Hose, Afmkt, Pvc, Brd, 0.50id, 12ft, Clr	1
▲	22 1029055	(000000–) Wand, Clean-Out	1

Fig. 45 – Transport Kit

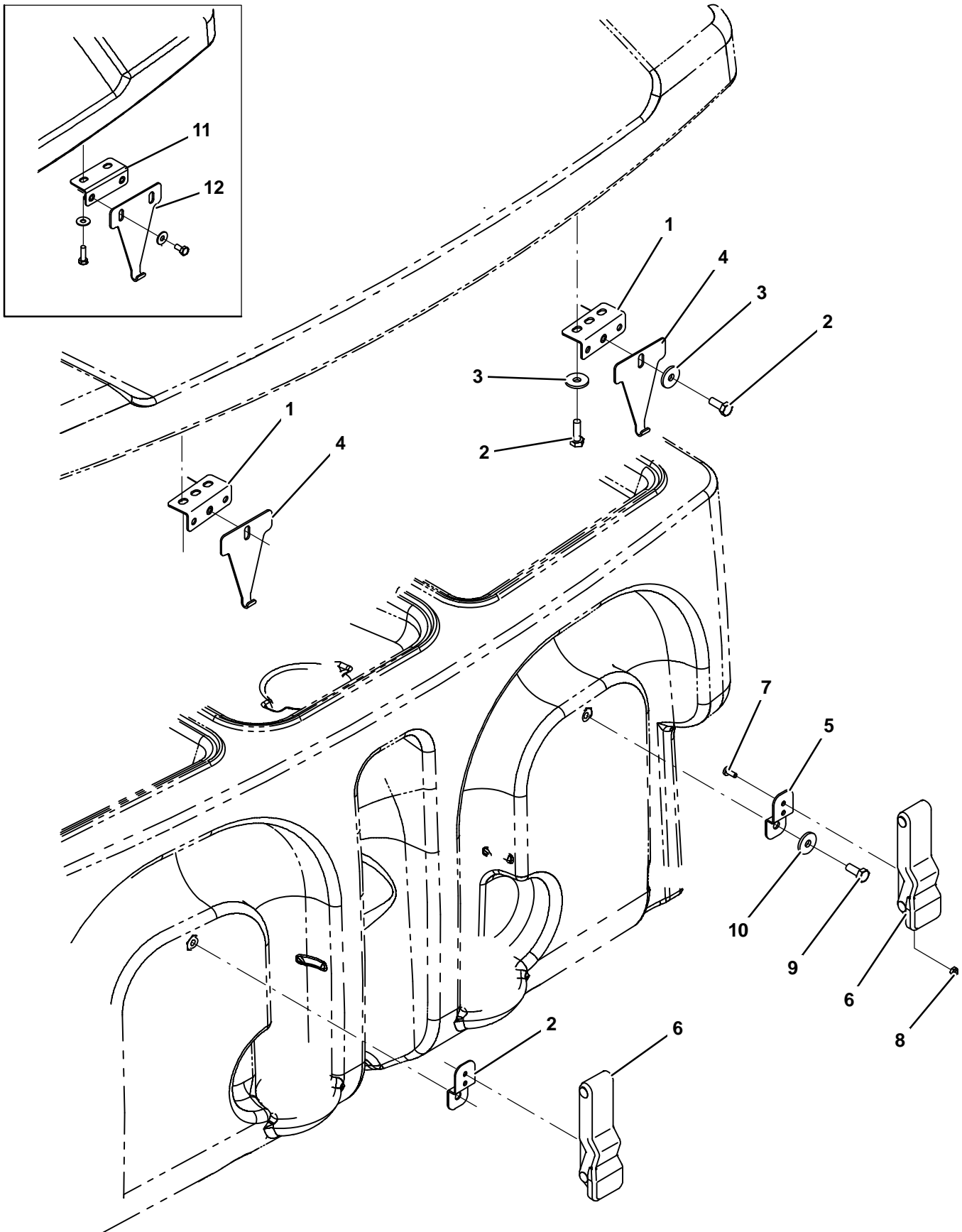


Fig. 45 – Transport Kit

	Ref.	Part No.	Serial Number	Description	Qty.
▽		9003143	(000000–) Transport Kit, Ci [T20]	1
▲	1	1040800	(001717–) Bracket, Latch, Cover	2
▲	2	09744	(000000–) Screw, Hex, M6 X 1.0 X 12, Ss	4
▲	3	01684	(000000–) Washer, Flat, 0.25, Ss	4
▲	4	1040633	(001717–) Plate, Hook, Latch	2
▲	5	1020526	(000000–) Bracket, Retaining, Hose	2
▲	6	360824	(000000–) Latch	2
▲	7	09200	(000000–) Screw, Pan, M5 X 0.8 X 12, Ss	4
▲	8	09739	(000000–) Nut, Hex, Lock, M5 X 0.80, NI, Ss	4
▲	9	393135	(000000–) Screw, Btn, M8 X 1.25 X 20, Blk	2
▲	10	32491	(000000–) Washer, Flat, 0.31, Std	2
	11	1032869	(000000–001716) Bracket, Latch, Cover	2
	12	1032884	(000000–001716) Plate, Hook, Latch	2

Fig. 46 – Squeegee Guard Kit

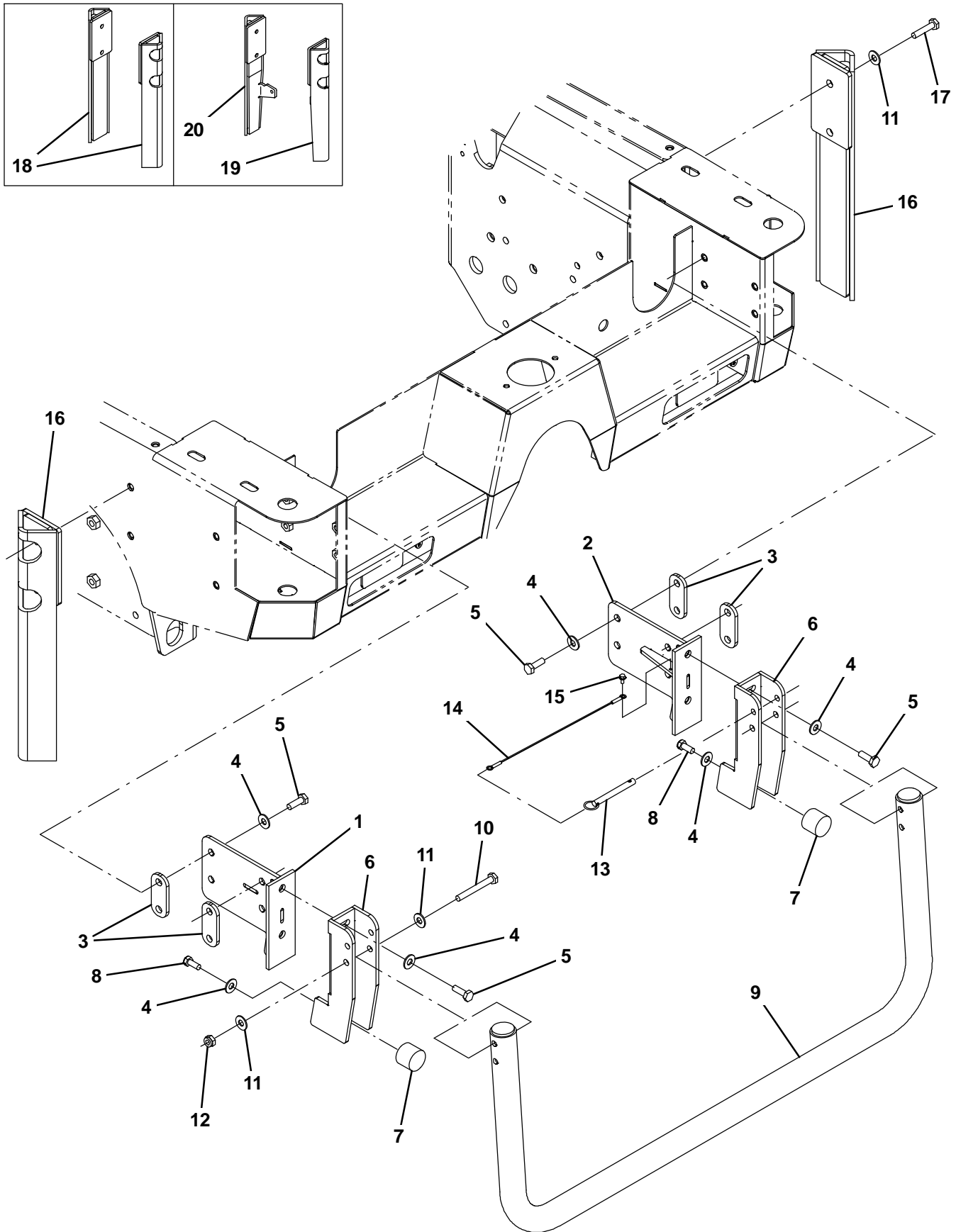


Fig. 46 – Squeegee Guard Kit

	Ref.	Part No.	Serial Number	Description	Qty.
▽		9003135	(000000–)	Guard Kit, Sqge, Ci [T20]	1
▲	1	1030557	(000000–)	Support Wldt, Sqge, Lh Rear	1
▲	2	1030503	(000000–)	Support Wldt, Sqge, Rh Rear	1
▲	3	1030522	(000000–)	Link, .25 1.4w 3.2l 2/.5h	4
▲	4	01686	(000000–)	Washer, Flat, 0.44b 1.00d .08, Ss	14
▲	5	12317	(000000–)	Screw, Hex, M10 X 1.5 X 30, Ss	12
▲	6	1030515	(000000–)	Channel Wldt, Guard, Sqge	1
▲	7	1024977	(000000–)	Bumper, Ure, 1.50d 1.25l	2
▲	8	21196	(000000–)	Screw, Hex, .38–16 X 0.88, G5	2
▲	9	1056195	(000000–)	Guard Wldt, Pntd [M20/T20]	1
▲	10	06965	(000000–)	Screw, Hex, M10 X 1.5 X 80, 8.8	2
▲	11	32492	(000000–)	Washer, Flat, 0.38, Std	8
▲	12	41430	(000000–)	Nut, Hex, Lock, M10 X 1.5, NI	2
▲	13	369359	(000000–)	Pin, Hitch, .375d X 3.12l, PI	1
▲	14	57702	(000000–)	Cable, Glv .06d 012.0l .26eye /.26eye	1
▲	15	223198	(000000–)	Screw, Hex, M5 X 0.8 X 10, Fmg	1
▲	16	1045444	(xxxxxx–)	Guard Wldt, Sqge [M20/T20/M30]	2
▲	17	06962	(000000–)	Screw, Hex, M10 X 1.5 X 45, 8.8	4
▲	18	1025663	(000000–001689)	Guard Wldt, Sqge Rep.BY1039069	2
▲	19	1040863	(001690–xxxxxx)	Guard Wldt, Sqge [M20/T20 LH, M30 RH]	1
▲	20	1040871	(001690–xxxxxx)	Guard Wldt, Sqge [M20/T20 RH, M30 LH]	1

Fig. 47 – Engine Radiator Screen Kit (002093–004999)

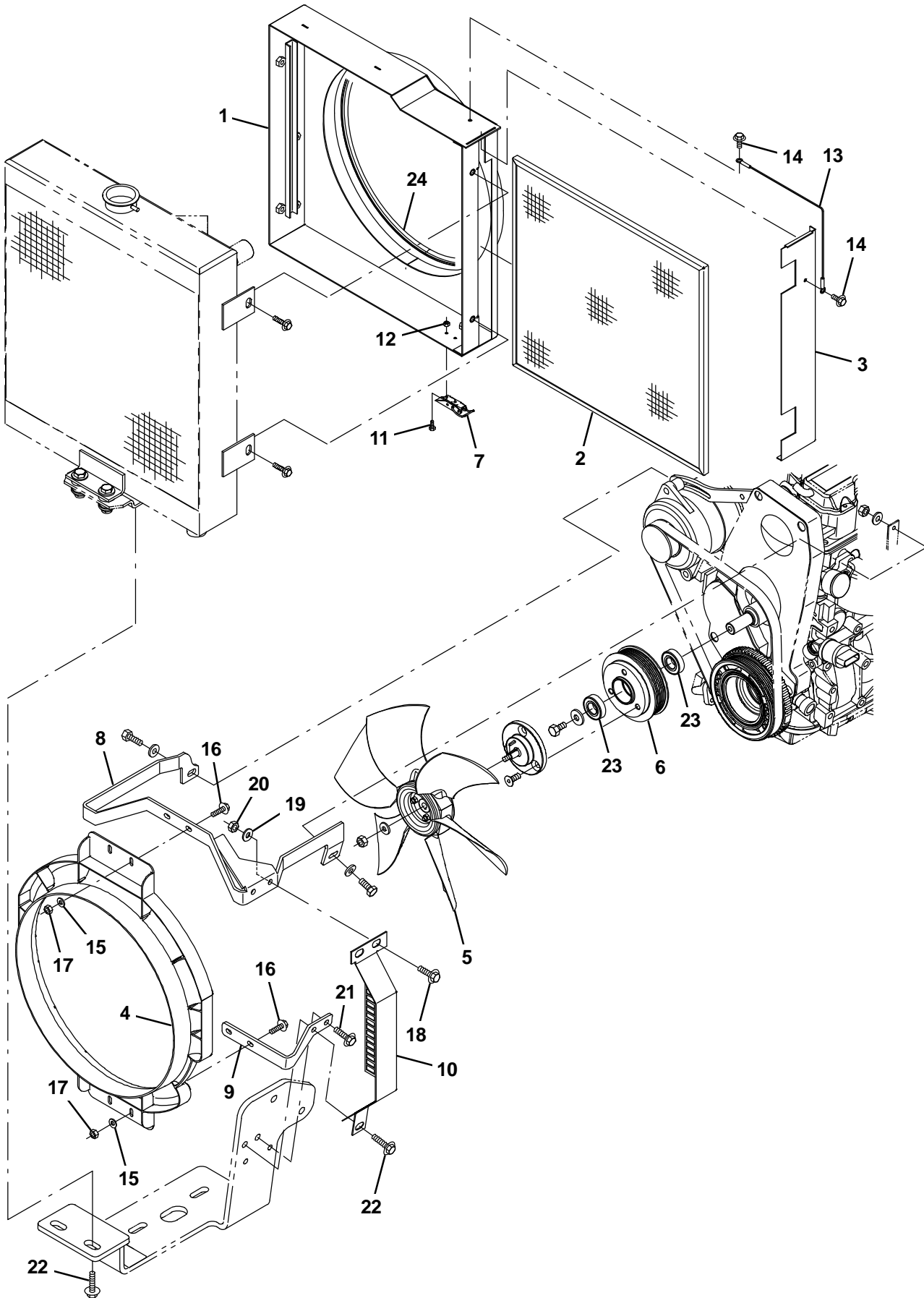
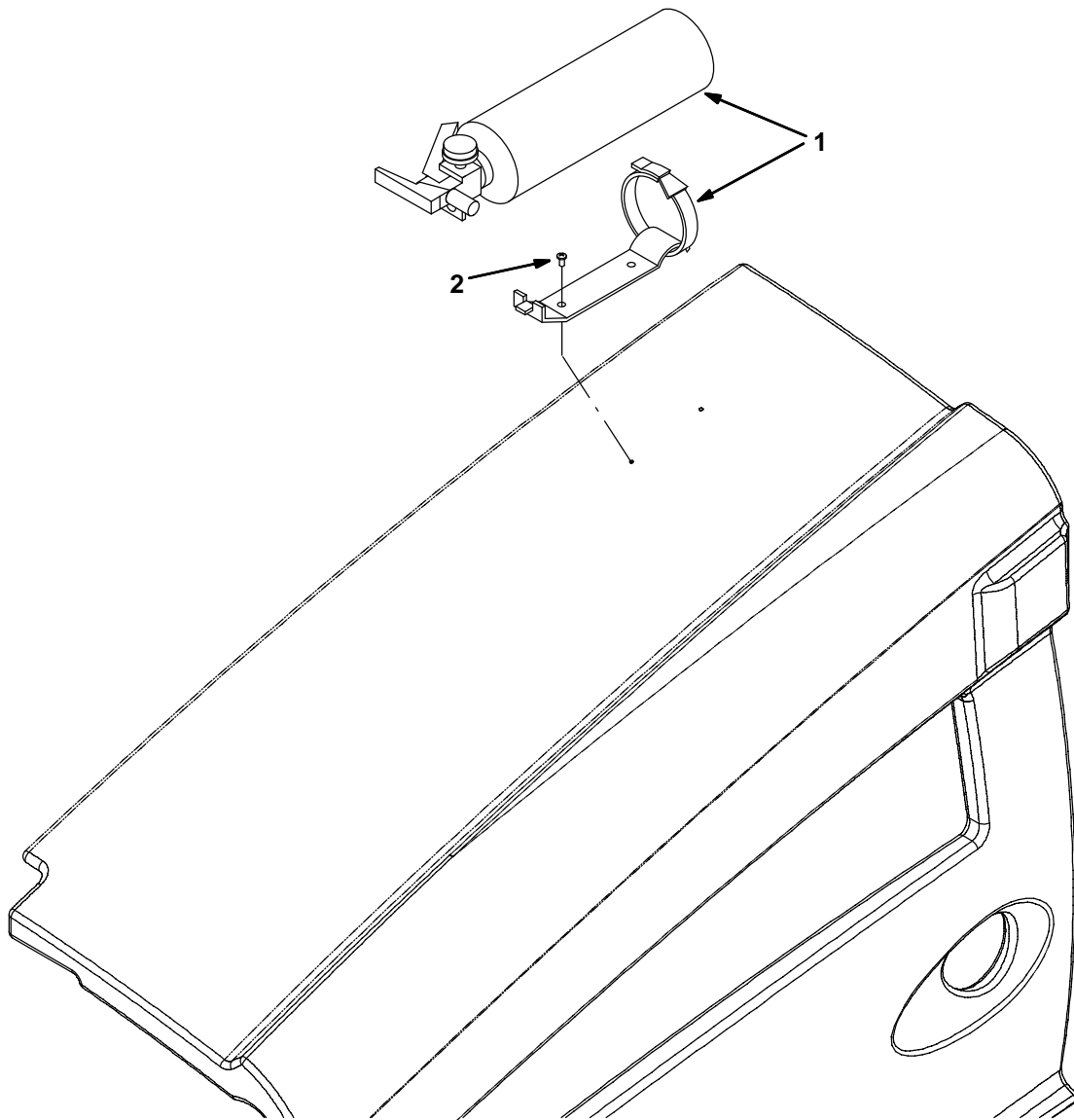


Fig. 47 – Engine Radiator Screen Kit (03039–005999)

Ref.	Part No.	Serial Number	Description	Qty.
▽	9010988	(002093–004999)) Rad Screen Kit, Replmt [M/T20,M30 G/Lp]	1
▲	1 1071041	(002093–004999)) Bracket Wldt, Radiator, Fan, Gas/Lpg	1
▲	2 1071033	(002093–004999)) Frame Wldt, Screen, Rad	1
▲	3 1071047	(002093–004999)) Plate, Cover, Screen	1
▲	4 1054428	(002093–004999)) Shroud, Fan	1
▲	5 1031566	(002093–004999)) Fan, Cooling, 14.1d, 6 Blade, 0.5b Taper	1
▲	6 1072505	(002093–004999)) Sheave, Mach [Gm1.6l 2615rpm Fan]	1
▲	7 1051534	(002093–004999)) Concept, Latch	1
▲	8 1058777	(002093–004999)) Bracket, Shrd, Fan, Upper, Sppt, Gas/Lpg	1
▲	9 1058753	(002093–004999)) Bracket, Shrd, Fan, Lower, Gas/Lpg	1
▲	10 1064443	(002093–004999)) Bracket, Shrd, Radiator, Gas/Lpg, Ce	1
▲	11 1020234	(002093–004999)) Screw, Hex, M4 X 0.70 X 10, Ss	2
▲	12 02850	(002093–004999)) Nut, Hex, Lock, M4 X 0.70, NI	2
▲	13 57702	(002093–004999)) Cable, Glv .06d 012.0l .26eye /.26eye	1
▲	14 361339	(002093–004999)) Screw, Hex, M6 X 1.00 X 16, Fmg	2
▲	15 32483	(002093–004999)) Washer, Flat, 0.25, Sae	6
▲	16 1036892	(002093–004999)) Screw, Hex, M6 X 1.00 X 25, 9.8, Sems	4
▲	17 08708	(002093–004999)) Nut, Hex, Lock, M6 X 1.00, NI	4
▲	18 1037346	(002093–004999)) Screw, Hex, M8 X 1.25 X 25, 9.8, Sems	2
▲	19 32491	(002093–004999)) Washer, Flat, 0.31, Std	2
▲	20 08709	(002093–004999)) Nut, Hex, Lock, M8 X 1.25, NI	2
▲	21 1037354	(002093–004999)) Screw, Hex, M8 X 1.25 X 30, 9.8, Sems	3
▲	22 1037355	(002093–004999)) Screw, Hex, M8 X 1.25 X 35, 9.8, Sems	1
▲	23 1055377	(002093–004999)) Bearing, Ball, 20mm B 42mm D 12mm W	2
▲	24 1048166	(002093–004999)) Seal, Afmkt, Bulb, Str, 0.58d 08ft	1

Fig. 48 – Fire Extinguisher Kit



354484

Ref.	Part No.	Serial Number	Description	Qty.
	9001316	(000000–) Extinguisher Kit, Fire, Ci [M20 And T20]	1
1	25312	(000000–) Extinguisher, Fire, 2.5 Lb Dry	1
2	382320	(000000–) Screw, Pan, #12–16 X 0.50, F/ Plstc	2

Fig. 49 – Documentation Group

Ref.	Part No.	Serial Number	Description	Qty.
	331470	(000000–) Manual, Oprtr [T20 Gas/Lpg En]	1
	331472	(000000–) Manual, Oprtr [T20 Gas/Lpg Es]	1
	331473	(000000–) Manual, Oprtr [T20 Gas/Lpg Fr]	1
	331471	(000000–) Manual, Parts [T20 Gas/Lpg En/Jp]	1
	331475	(000000–) Manual, Service [T20 En]	1
	1035133	(000000–) Video, Oprtr, Dvd [W/Checklist T20]	1
	372863	(000000–001499) Manual, Service, Eng[Gm1.6l Em Cert]	1
	371790	(000000–001499) Manual, Service, Eng [Gm1.6l]	1
	1037749	(000000–) Instr, Maint, Wall Chart [T20]	1
	9003926	(001500–) Manual, Eng, Cd–Rom [Tier II,GM1.6L]	1
	9006257	(000000–) Media, Cd–Rom, Training [ec–H2O Tennant]	1
	9010635	(005000–) Manual, Service, Cd–Rom [Mit2.0l]	1



To view, print, order, download the latest Parts manual, other language Operator manuals, and Use and Care Guides (wall charts), visit:

www.tennantco.com/manual

SECTION 4

Contents	Page
Fig. 1 – Extended Scrub Pump Breakdown, 1021210	4-2
Fig. 2 – Hydraulic Motor Breakdown, 379609 ...	4-4
Fig. 3 – Hydraulic Pump Breakdown, 1024251 .	4-6
Fig. 4 – Hydraulic Motor Breakdown, 71729	4-8
Fig. 5 – Hydraulic Motor Breakdown, 1029379 .	4-9
Fig. 6 – Hydraulic Motor Breakdown, 53485 ...	4-10
Fig. 7 – Hydraulic Motor Breakdown, 1024407	4-11
Fig. 8 – Hydraulic Valve Breakdown, 1018938 .	4-12
Fig. 9 – Hydraulic Valve Breakdown, 1020394 .	4-14
Fig. 10 – Hydraulic Valve Breakdown, 1037805 .	4-16
Fig. 11 – Hydraulic Valve Breakdown, 1072997 .	4-18
Fig. 12 – Hydraulic Valve Breakdown, 1072996 .	4-20
Fig. 13 – Hydraulic Steering Valve Breakdown, 1024260	4-22
Fig. 14 – Metering Solution Pump Breakdown, 73260	4-24
Fig. 15 – Water Pump Breakdown, 1026743 ...	4-25
Fig. 16 – ec-H2O Module Assembly Breakdown, 9007882	4-26
Fig. 17 – Seat Breakdown, 1072456	4-28
Fig. 18 – FaST Injector Assembly Breakdown, 9008868	4-30

Fig. 1 – Extended Scrub Pump Breakdown, 1021210

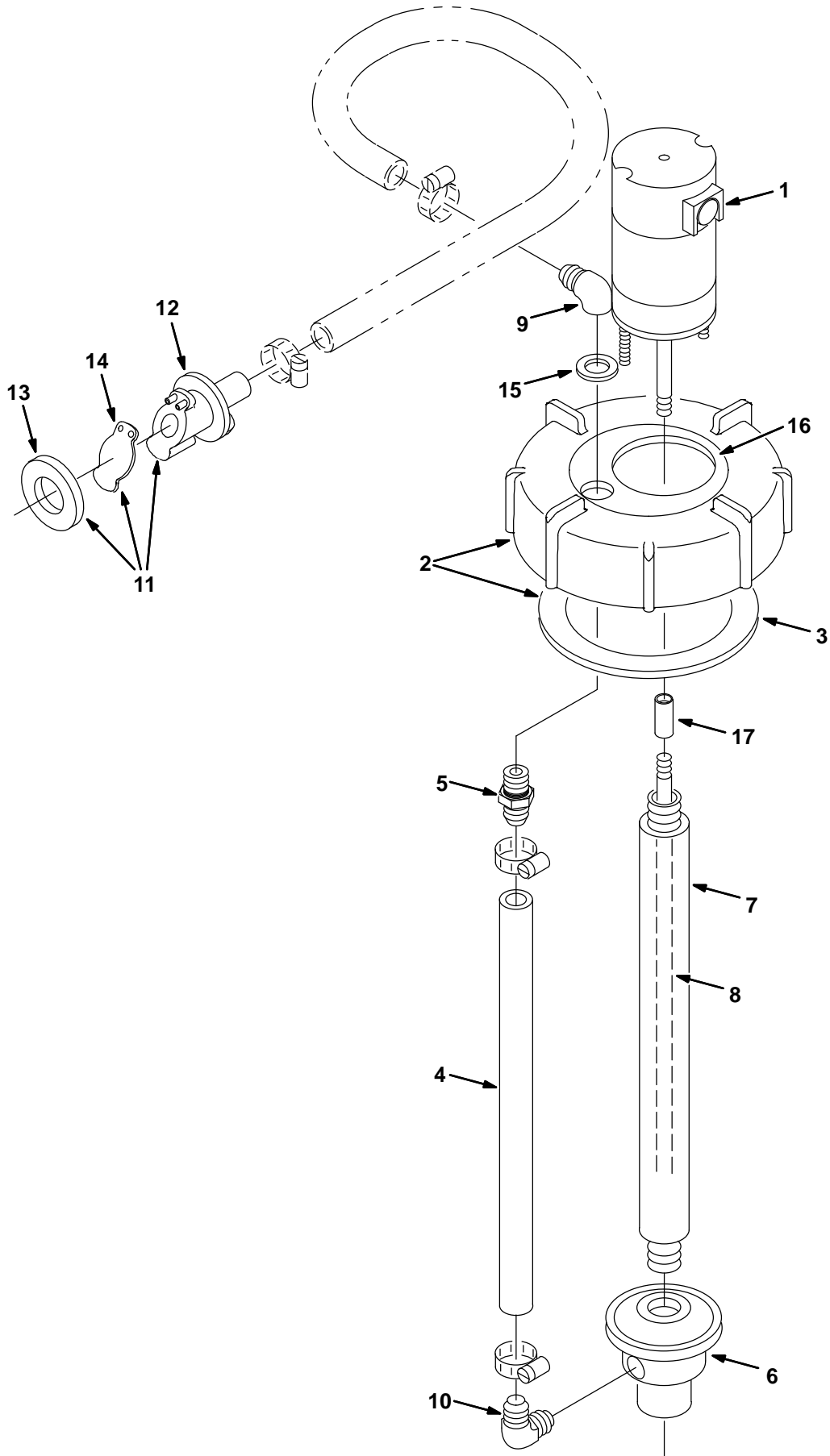


Fig. 1 - Extended Scrub Pump Breakdown, 1021210

	Ref.	Part No.	Serial Number	Description	Qty.
▽		1021210	(000000-) Pump Assy, Column, Es	1
▲▽	1	9002708	(000000-) Motor, Ele, 12vdc, Pump, Water	1
▲▲		78829	(000000-) Kit, Brush, Motor, Ele	1
▲▽	2	24358	(000000-) Cap Assy, Tank, Drain	1
▲▲	3	1031699	(000000-) Gasket, 4.05Id 5.29Od .19 [Buna]	1
▲	4	78833	(000000-) Tube, Vinyl, Pump, Water	1
▲	5	78398	(000000-) Fitting, Plstc, Str, Bm12/Pm08, Nyl	1
▲	6	78843	(000000-) Housing Kit, Pump, Water	1
▲	7	78836	(000000-) Column, Pump, Water	1
▲	8	9002709	(000000-) Shaft, Pump, Water	1
▲	9	78838	(000000-) Fitting, E, Gr	1
▲	10	78839	(000000-) Fitting, Plstc, E90, Pf Bm [Es Pump]	1
▲▽	11	78842	(000000-) Kit, Valve, Check, Pump, Water	1
▲▲	12	78840	(000000-) Valve, Check, Pump, Water	1
▲▲	13	73342	(000000-) Gasket, .25 1.88d 1.0Id [Poron]	1
▲▲	14	78841	(000000-) Flapper, Valve, Pump, Water	1
▲	15	78830	(000000-) Washer, Rbr	1
▲	16	22790	(000000-) Insert, Cap, Mount, Es Pump	1
▲	17	23285	(000000-) Sleeve, Pump, Water	1

Fig. 2 – Hydraulic Motor Breakdown, 379609

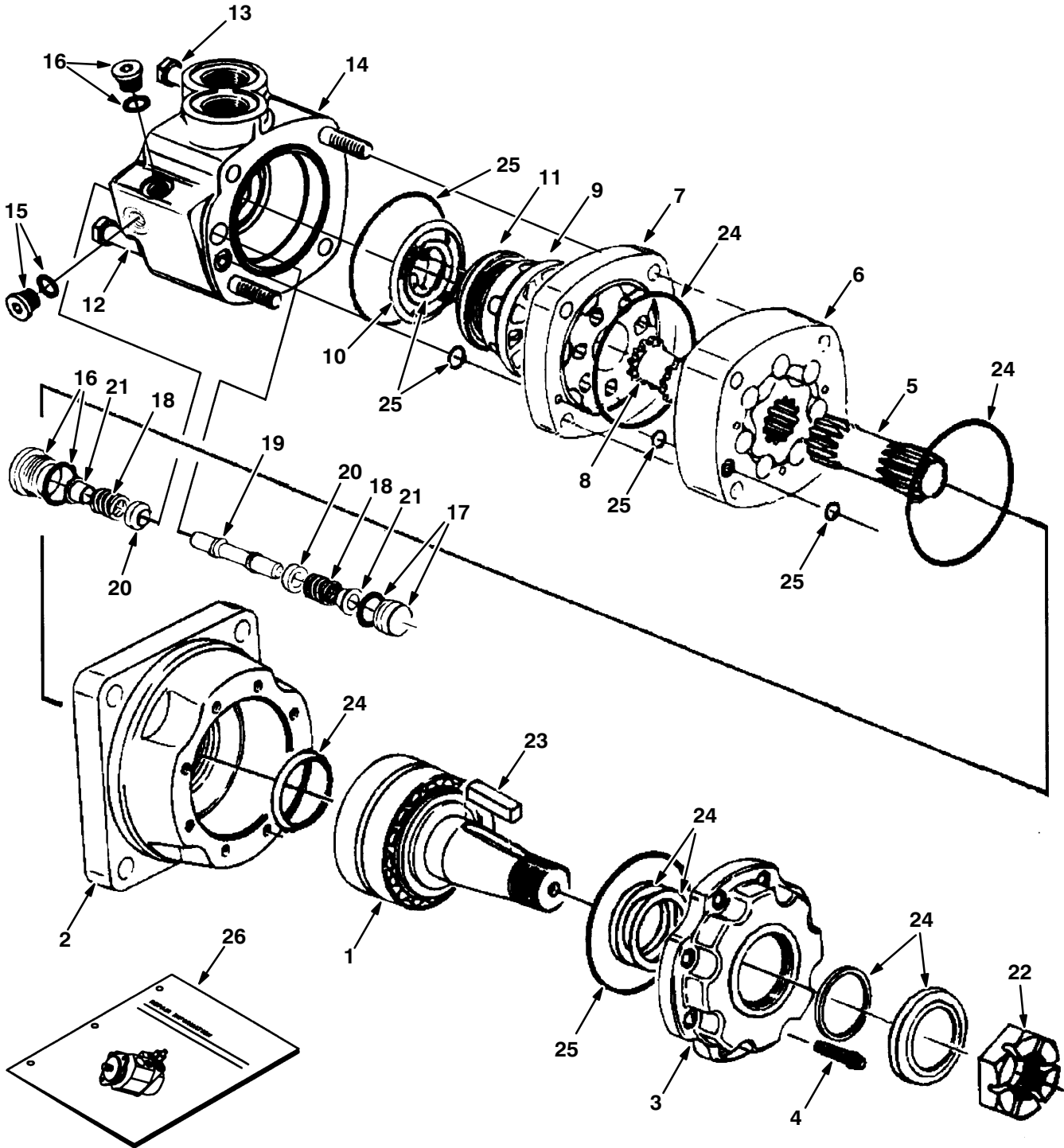


Fig. 2 – Hydraulic Motor Breakdown, 379609

Ref.	Part No.	Serial Number	Description	Qty.
▽	379609	(000000–) Motor, Hyd, Gear, [Int], 19.0 X 3000	1
▲	1 74165	(000000–) Shaft, Motor, Hyd	1
▲	2 74166	(000000–) Housing, Brg, Motor, Hyd	1
▲	3 74167	(000000–) Retainer, Motor, Hyd	1
▲	4 74168	(000000–) Screw, Cap, Motor, Hyd	8
▲	5 37616	(000000–) Drive, Motor, Hyd	1
▲	6 37756	(000000–) Geroler, Motor, Hyd	1
▲	7 74122	(000000–) Plate, Valve, Motor, Hyd	1
▲	8 52405	(000000–) Valve, Motor, Hyd	1
▲	9 74123	(000000–) Valve, Motor, Hyd	1
▲	10 34178	(000000–) Spring, Motor, Hyd	2
▲	11 38968	(000000–) Ring, Motor, Hyd	1
▲	12 74125	(000000–) Bolt, Motor, Hyd	3
▲	13 38255	(000000–) Bolt, Motor, Hyd	1
▲	14 373297	(000000–) Housing, Valve	1
▲	15 373298	(000000–) Plug	1
▲	16 373260	(000000–) Plug, Pump, Hyd, Gear	2
▲	17 373299	(000000–) Plug	1
▲	18 373291	(000000–) Spring	2
▲	19 373217	(000000–) Piston, Pump, Hyd, Gear	1
▲	20 373226	(000000–) Poppet, Pump, Hyd, Gear	2
▲	21 373236	(000000–) Sleeve, Dashpo, Pump, Hyd, Gear	2
▲	22 45622	(000000–) Nut, Motor, Hyd	1
▲	23 45623	(000000–) Key, Motor, Hyd	1
▲	24 79828	(000000–) Kit, Seal, Motor, Hyd	1
▲	25 33580	(000000–) Kit, Seal, Motor, Hyd	1
	26 79729	(000000–) Instr, Repair, Motor, Hyd, Gear	1

Fig. 3 – Hydraulic Pump Breakdown, 1024251

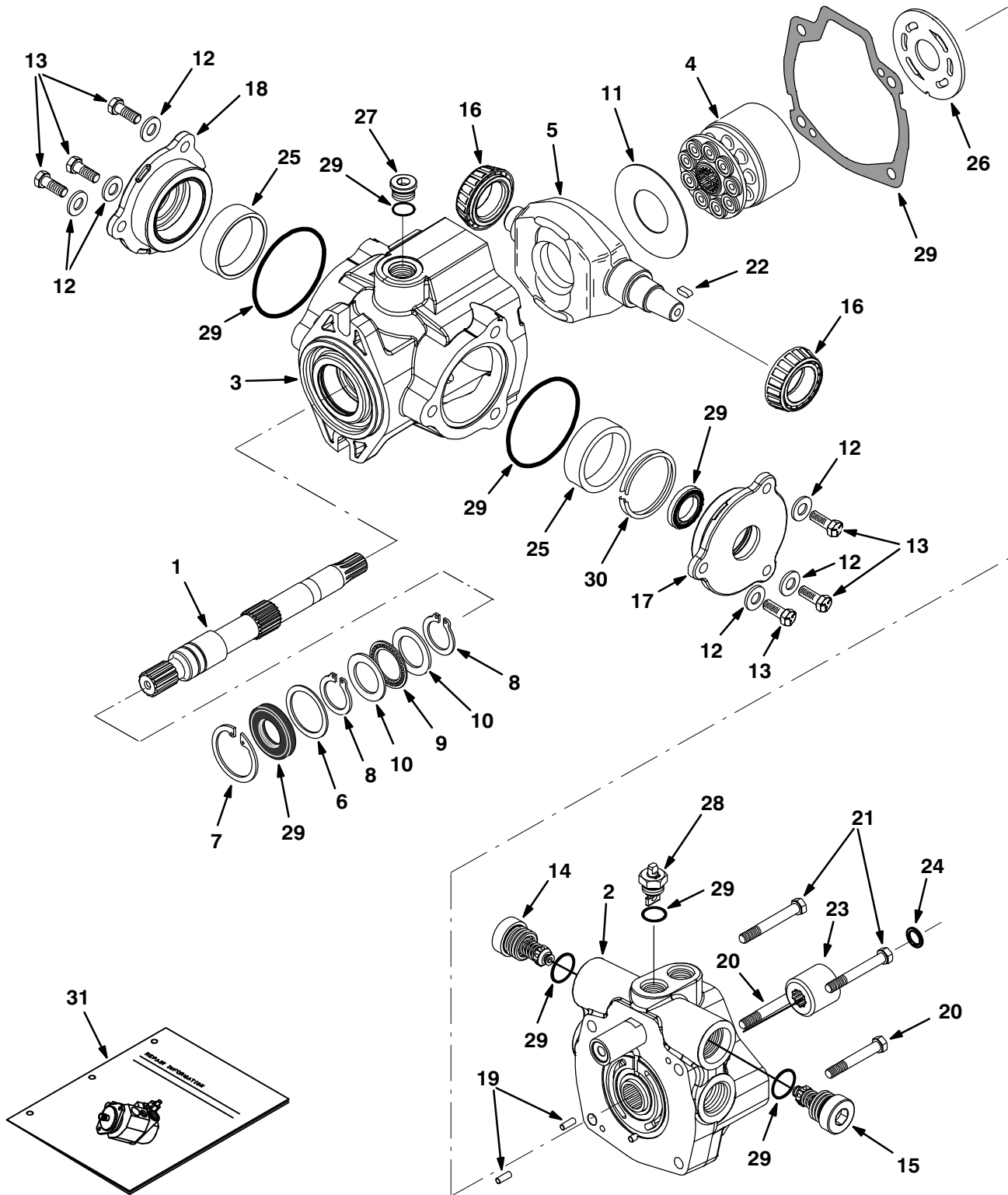
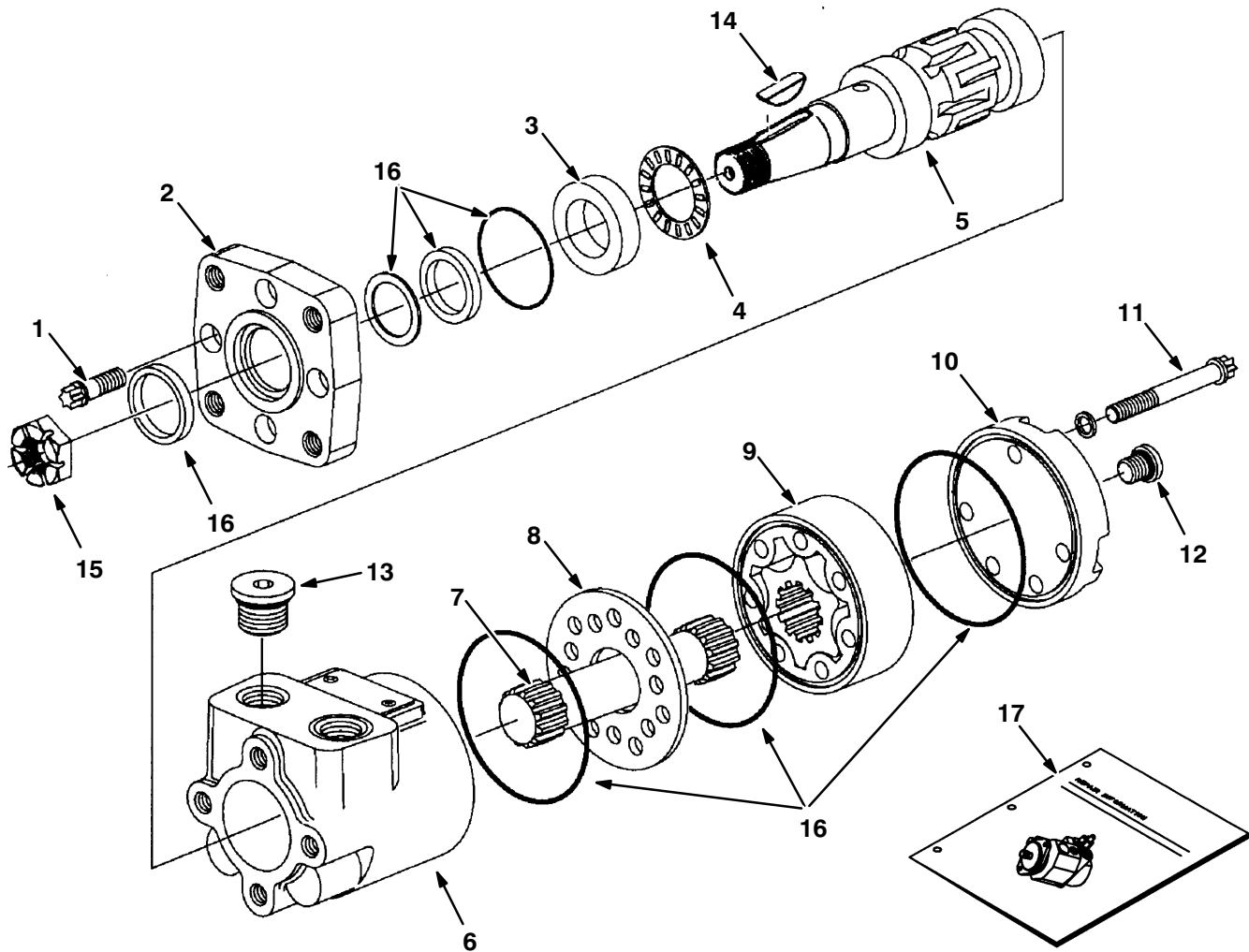


Fig. 3 – Hydraulic Pump Breakdown, 1024251

	Ref.	Part No.	Serial Number	Description	Qty.
▽		1024251	(000000–) Pump, Hyd, Piston, Var, 1.24 4000, Cw	1
▲	1	373681	(000000–) Shaft, Pump	1
▲	2	373427	(000000–) Cover, End	1
▲	3	373389	(000000–) Housing	1
▲	4	02706	(000000–) Pump Kit, Hyd, Rotating [Cessna]	1
▲	5	373493	(000000–) Plate, Cam	1
▲	6	70096	(000000–) Washer, Flat, Pump, Hyd	1
▲	7	55926	(000000–) Ring, Retaining, Pump, Hyd	1
▲	8	373434	(000000–) Ring, Retaining	2
▲	9	74225	(000000–) Bearing, Thrust, Pump, Hyd	1
▲	10	74226	(000000–) Race, Brg, Pump, Hyd	2
▲	11	373327	(000000–) Insert, Plt, Cam, Pump, Hyd	1
▲	12	373391	(000000–) Washer, Pump, Hyd [En]	6
▲	13	373346	(000000–) Screw, Cap	6
▲	14	373494	(000000–) Valve, Relief, 4000 Psi	1
▲	15	373678	(000000–) Valve, Relief, 3000 Psi	1
▲	16	373317	(000000–) Bearing, Cone, Pump, Hyd	2
▲	17	373393	(000000–) Plate, Cover	1
▲	18	373394	(000000–) Plate, Cover	1
▲	19	70100	(000000–) Pin, Dowel, Pump, Hyd	2
▲	20	373347	(000000–) Screw, Cap	2
▲	21	373348	(000000–) Screw, Cap	2
▲	22	74237	(000000–) Key, Shaft, Pump, Hyd	1
▲	23	373679	(000000–) Coupler, Pump	1
▲	24	373680	(000000–) Ring, Lock	1
▲	25	373395	(000000–) Bearing, Cup	2
▲	26	74180	(000000–) Plate, Valve, Pump, Hyd	1
▲	27	13907	(000000–) Fitting, Hyd, Plug, Om08	1
▲	28	373413	(000000–) Actuator, Valve, By-Pass [En]	1
▲	29	373398	(000000–) Seal Kit, Pump, Hyd	1
▲	30	373402	(000000–) Shim Kit	1
	31	373429	(000000–) Instr, Repair, Pump	1

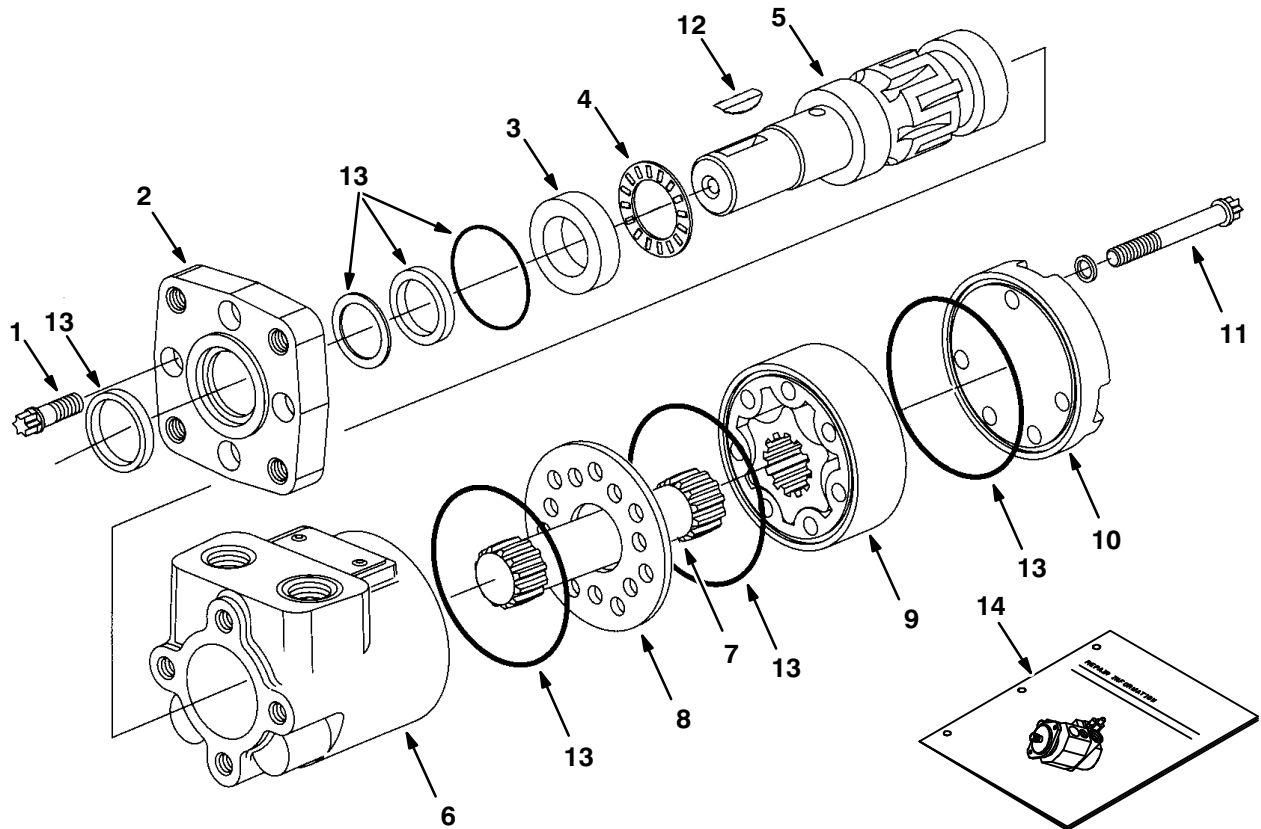
Fig. 4 – Hydraulic Motor Breakdown, 71729



09606-09670- ALL

Ref.	Part No.	Serial Number	Description	Qty.
▽	71729	(000000-)	Motor, Hyd Gear In 4.5 B 1500	1
▲	1	37555	(000000-) Screw	4
▲	2	31354	(000000-) Flange Mounting	1
▲	3	16695	(000000-) Race Thrust	1
▲	4	45628	(000000-) Thrust Bearing	1
▲	5	31375	(000000-) Shaft, Output	1
▲	6	74100	(000000-) HousingI	1
▲	7	31379	(000000-) Drive	1
▲	8	74094	(000000-) Spacer Plate	1
▲	9	31383	(000000-) Gerotor Set	1
▲	10	74095	(000000-) End Cap	1
▲	11	65241	(000000-) Cap Screw	5
▲	12	74098	(000000-) Plug #4	1
▲	13	74099	(000000-) Plug #10	2
▲	14	00500-15	(000000-) Key-Wdruff .025 1.00	1
▲	15	39527	(000000-) Nut-Hxslot .75-16 Pltd	1
▲	16	61490	(000000-) Seal Replmt Kit	1
▲	17	74250	(000000-) Instr. Repair Info, Motor	1

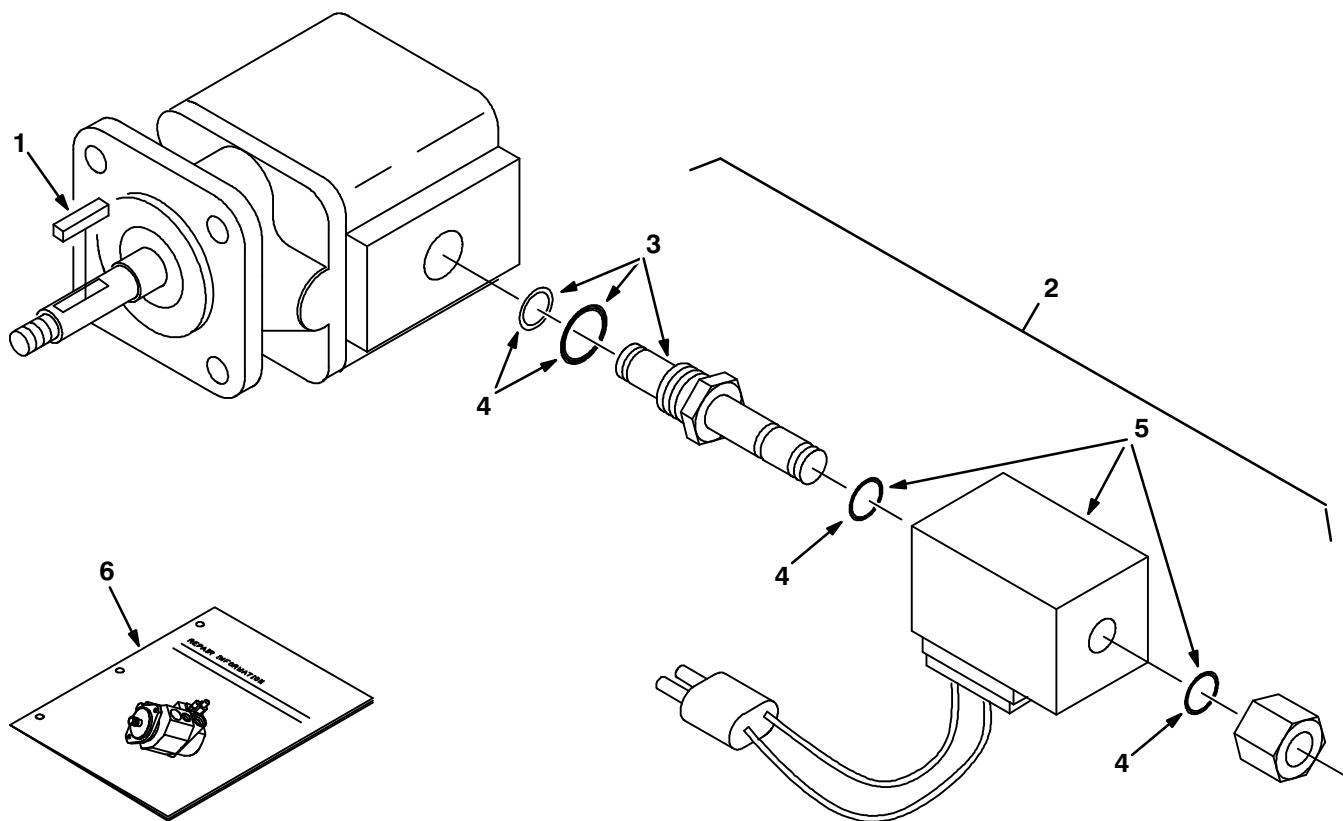
Fig. 5 – Hydraulic Motor Breakdown, 1029379



10859-09670- ALL

Ref.	Part No.	Serial Number	Description	Qty.	
▽	1029379	(000000-) Motor, Hyd, Gear, Int 08.9 Bi-Dir 2500	1	
▲	1	37555	(000000-) Screw, Motor, Hyd [En]	4
▲	2	31354	(000000-) Flange, Motor, Hyd [En]	1
▲	3	16695	(000000-) Ace, Thrust, Motor, Hyd [En]	1
▲	4	45628	(000000-) Bearing, Thrust	1
▲	5	28854	(000000-) Shaft, Output, Motor, Hyd [En]	1
▲	6	74100	(000000-) Housing, Motor, Hyd [En]	1
▲	7	21955	(000000-) Drive [CI]	1
▲	8	74094	(000000-) Plate, Spacer, Motor, Hyd [En]	1
▲	9	21956	(000000-) Gerotor Set [CI]	1
▲	10	65230	(000000-) End Cap, Motor, Hyd [En]	1
▲	11	21958	(000000-) Cap Screw CI	5
▲	12	00500-15	(000000-) Key, Woodruff, 0.25 1.00 [Asa#0808]	1
▲	13	61490	(000000-) Seal Kit, Motor [CI]	1
▲	14	74250	(000000-) Instr, Motor, Hyd, Repair [En]	1

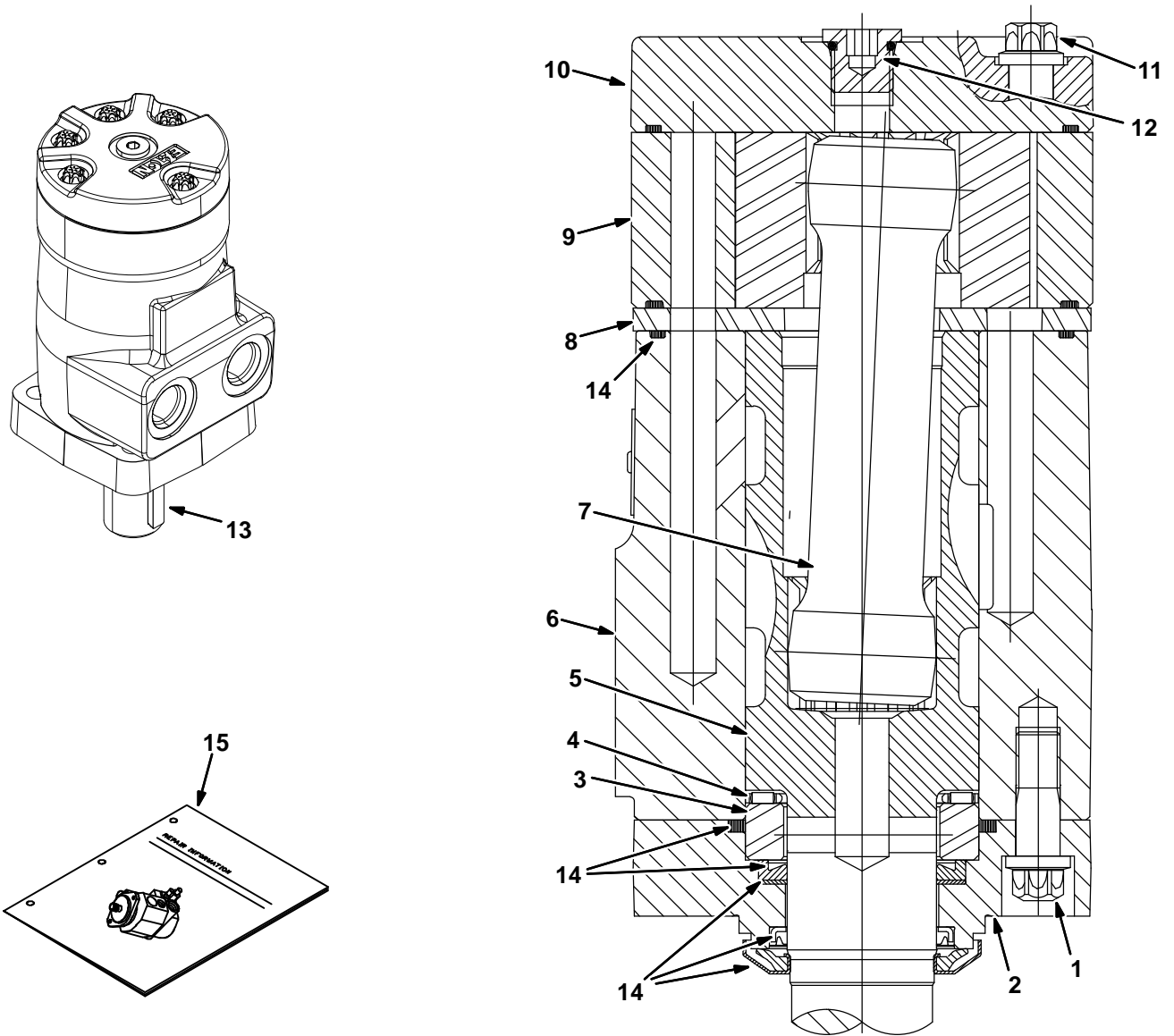
Fig. 6 – Hydraulic Motor Breakdown, 53485



07490 – 09670

Ref.	Part No.	Serial Number	Description	Qty.
▽	53485	(000000–) Motor, Hyd, Gear, Ext 0.19 Rh 3000	1
▲	74233	(000000–) Kit, Seal, Motor, Hyd, Gear[Barns]	1
▲	1 00966	(000000–) Key, Sq, 0.12 X 0.12, 0.75l	1
▲▽	2 54095	(000000–) Valve, Hyd Cartridge 10no/–0	1
▲▲	3 59378	(000000–) Valve Stem, N.O.Valve, Hyd	1
▲▲	4 48813	(000000–) Kit, Seal, Valve, Hyd [Cec]	1
▲▲	5 35493	(000000–) Solenoid, 12v, Valve, Hyd [Cec]	1
	6 IB3614	(000000–) Instr, Seal Kit, Motor	1

Fig. 7 – Hydraulic Motor Breakdown, 1024407



Ref.	Part No.	Serial Number	Description	Qty.
▽	1024407	(000000–) Motor, Hyd, Gear, Int 09.7 Bi-Dir 2500	1
▲	1	37555	(000000–) Screw, Motor, Hyd [En]	4
▲	2	22609	(000000–) Flange	1
▲	3	16695	(000000–) Ace, Thrust, Motor, Hyd [En]	1
▲	4	45628	(000000–) Bearing, Thrust	1
▲	5	22614	(000000–) Shaft, Output, Motor, Hyd	1
▲	6	373674	(000000–) Housing, Motor, Hyd [En]	1
▲	7	31376	(000000–) Drive	1
▲	8	74094	(000000–) Plate, Spacer, Motor, Hyd [En]	1
▲	9	38263	(000000–) Gerotor, Motor, Hyd	1
▲	10	74101	(000000–) End Cap, Motor, Hyd [En]	1
▲	11	21960	(000000–) Screw, Cap, Motor, Hyd	5
▲	12	74098	(000000–) Fitting, Hyd, Plug, Om04	1
▲	13	00500–15	(000000–) Key, Woodruff, 0.25 1.00 [Asa#0808]	1
▲	14	22615	(000000–) Seal Kit, Motor [CI]	1
▲	15	74250	(000000–) Instr, Motor, Hyd, Repair [En]	1

Fig. 8 – Hydraulic Valve Breakdown, 1018938

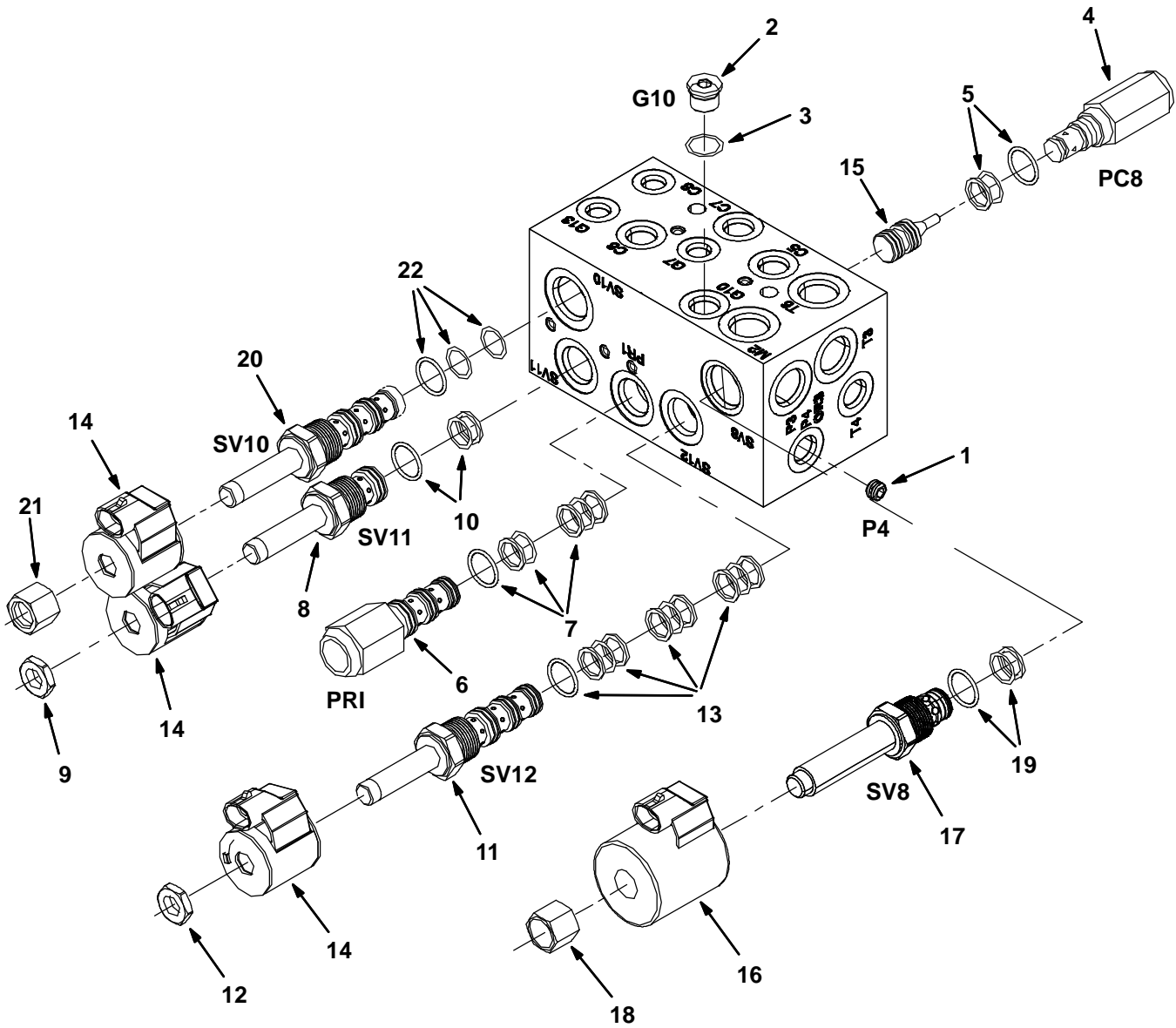


Fig. 8 – Hydraulic Valve Breakdown, 1018938

	Ref.	Part No.	Serial Number	Description	Qty.
▽		1018938	(000000–) Valve, Cntrl, Hyd [M20 And T20] (Repaced by 1037805)	1
▲	1	373633	(000000–) Plug, Orifice, Valve, Hyd, .040	1
▲▽	2	13904	(000000–) Fitting, Plug, Org, #6, Valve [Cec]	1
▲▲	3	77005	(000000–) Seal, Org, .078 X 00.47id #06	1
▲▽	4	373656	(000000–) Valve, Check	1
▲▲	5	373647	(000000–) Seal Kit, Cartridge	1
▲▽	6	373661	(000000–) Valve, Relief	1
▲▲	7	373647	(000000–) Seal Kit, Cartridge	1
▲▽	8	373662	(000000–) Stem, Valve, Hyd	1
▲▲	9	373648	(000000–) Nut, Coil, F/#8	1
▲▲	10	373647	(000000–) Seal Kit, Cartridge	1
▲▽	11	373657	(000000–) Stem, Valve, Hyd, 4w2p	1
▲▲	12	373648	(000000–) Nut, Coil, F/#8	1
▲▲	13	373647	(000000–) Seal Kit, Cartridge	1
▲	14	373640	(000000–) Solenoid, #8, 12vdc	3
▲	15	373658	(000000–) Spool, Pilot, Hyd	1
▲	16	373642	(000000–) Solenoid, #10, 12vdc	1
▲▽	17	373663	(000000–) Valve, Stem, No	1
▲▲	18	373670	(000000–) Nut, Solenoid	1
▲▲	19	373646	(000000–) Seal Kit, Cartridge	1
▲▽	20	373664	(000000–) Cartridge, Psi Cntrl, Valve, Hyd	1
▲▲	21	373673	(000000–) Nut, Solenoid	1
▲▲	22	373672	(000000–) Seal Kit, Cartridge	1

Fig. 9 – Hydraulic Valve Breakdown, 1020394

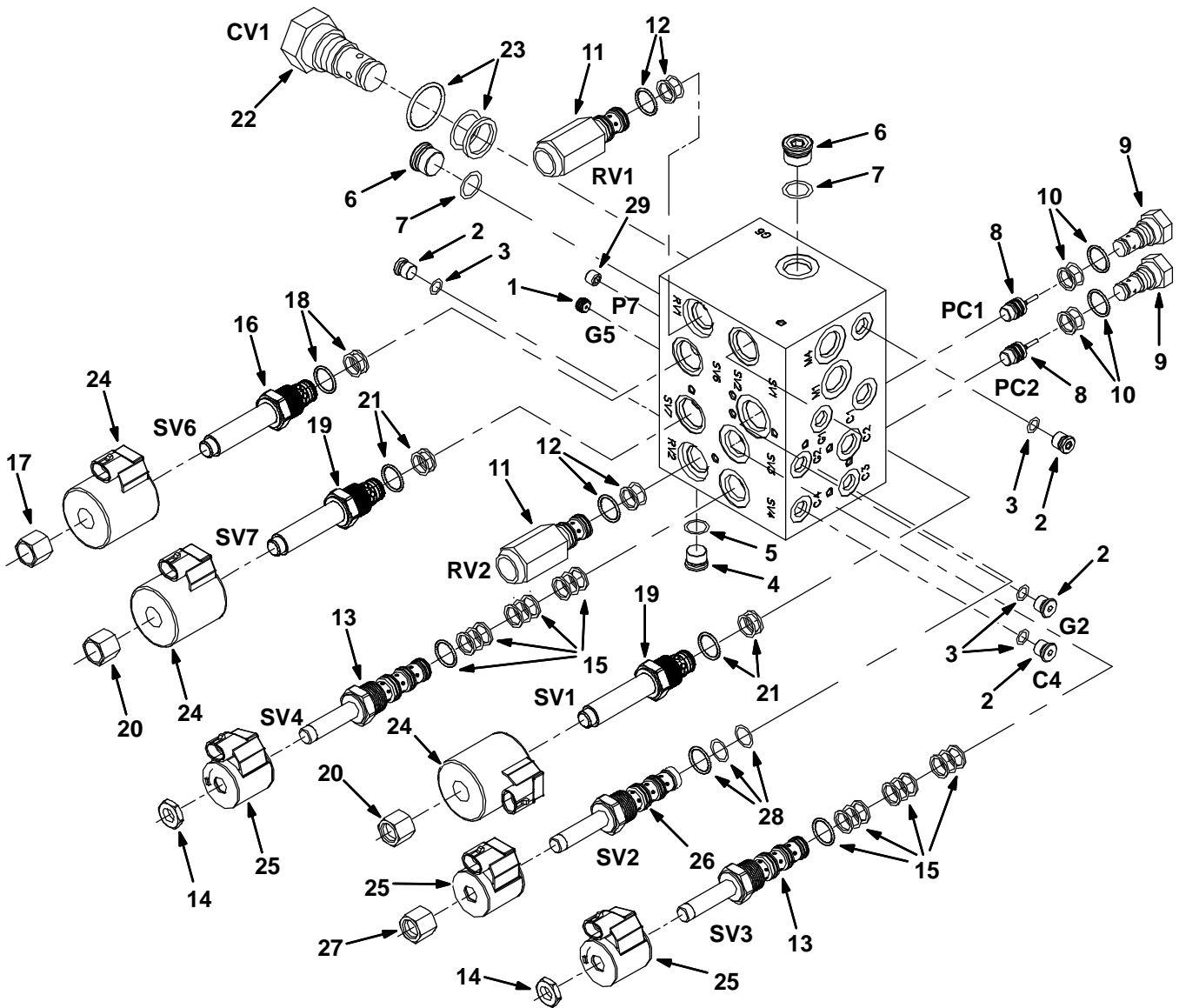


Fig. 9 – Hydraulic Valve Breakdown, 1020394

	Ref.	Part No.	Serial Number	Description	Qty.
▽		1020394	(000000–) Valve, Cntrl, Hyd	1
▲	1	373665	(000000–) Plug, Orifice, Valve, Hyd, .046	1
▲▽	2	74098	(000000–) Fitting, Hyd, Plug, Om04	4
▲▲	3	77003	(000000–) Seal, Org, .072 X 00.35id #04	1
▲▽	4	13904	(000000–) Fitting, Plug, Org, #6, Valve [Cec]	1
▲▲	5	77005	(000000–) Seal, Org, .078 X 00.47id #06	1
▲▽	6	13907	(000000–) Fitting, Hyd, Plug, Om08	2
▲▲	7	77006	(000000–) Seal, Org, .087 X 00.64id #08	2
▲	8	373658	(000000–) Spool, Pilot, Hyd	2
▲▽	9	373631	(000000–) Valve, Check	2
▲▲	10	373647	(000000–) Seal Kit, Cartridge	1
▲▽	11	373666	(000000–) Valve, Relief	2
▲▲	12	373647	(000000–) Seal Kit, Cartridge	1
▲▽	13	373657	(000000–) Stem, Valve, Hyd, 4w2p	2
▲▲	14	373648	(000000–) Nut, Coil, F/#8	1
▲▲	15	373647	(000000–) Seal Kit, Cartridge	1
▲▽	16	373667	(000000–) Stem, Valve, Hyd	1
▲▲	17	373648	(000000–) Nut, Coil, F/#8	1
▲▲	18	373646	(000000–) Seal Kit, Cartridge	1
▲▽	19	373663	(000000–) Valve, Stem, No	2
▲▲	20	373670	(000000–) Nut, Solenoid	1
▲▲	21	373646	(000000–) Seal Kit, Cartridge	1
▲▽	22	373668	(000000–) Valve, Check	1
▲▲	23	373671	(000000–) Seal Kit, Cartridge	1
▲	24	373642	(000000–) Solenoid, #10, 12vdc	3
▲	25	373640	(000000–) Solenoid, #8, 12vdc	3
▲▽	26	373664	(000000–) Cartridge, Psi Cntrl, Valve, Hyd	1
▲▲	27	373673	(000000–) Nut, Solenoid	1
▲▲	28	373672	(000000–) Seal Kit, Cartridge	1
▲	29	373669	(000000–) Plug, Orifice, Valve, Hyd, .063	1

Fig. 10 – Hydraulic Valve Breakdown, 1037805

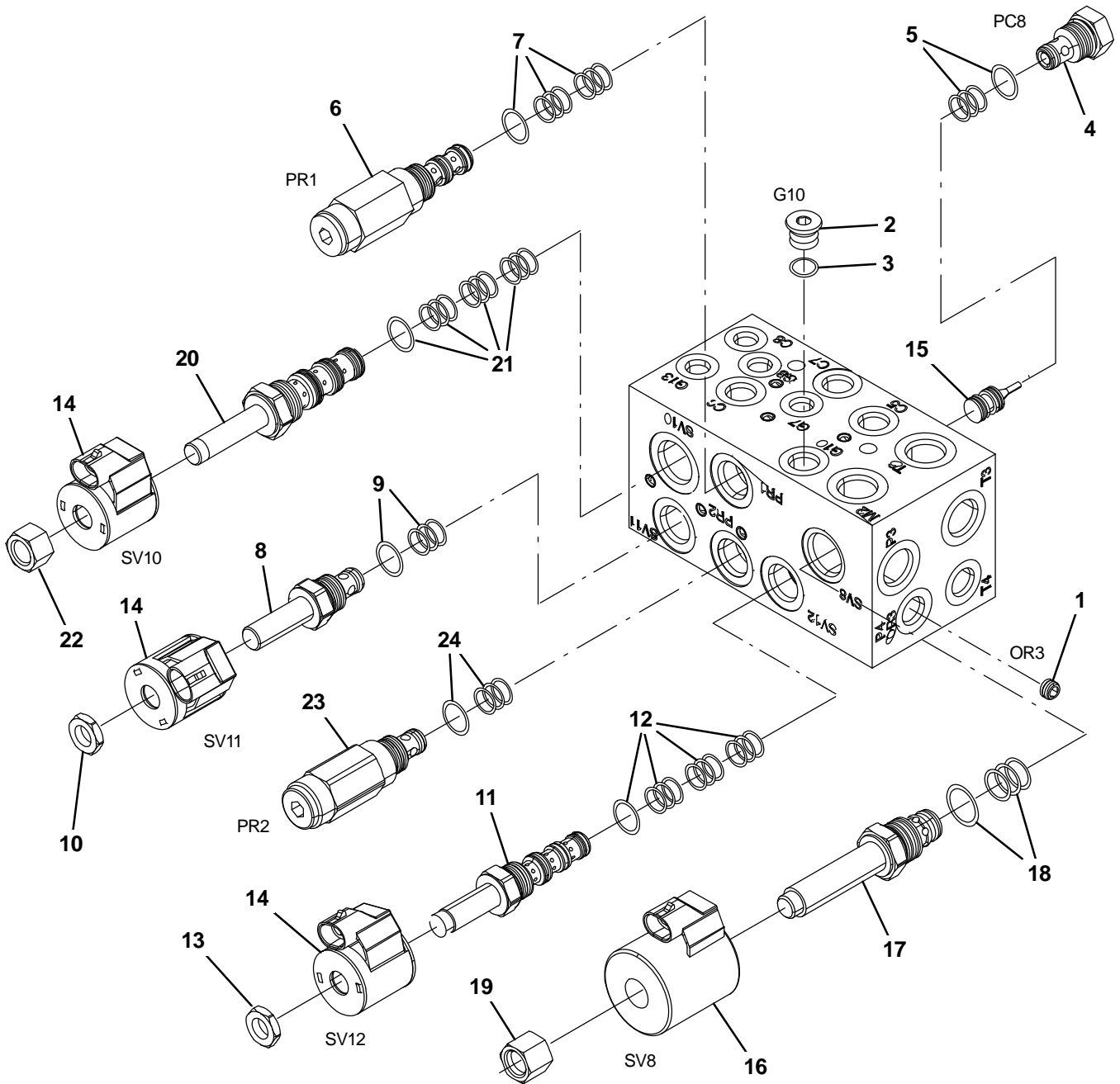


Fig. 10 - Hydraulic Valve Breakdown, 1037805

Ref.	Part No.	Serial Number	Description	Qty.
▽	1037805	(000000-) Valve, Cntrl, Hyd, Solenoid, 03/16gpm	1
▲	1 373633	(000000-) Plug, Orifice, Valve, Hyd, .040	1
▲▽	2 13904	(000000-) Fitting, Plug, Org, #6, Valve [Cec]	1
▲▲	3 77005	(000000-) Seal, Org, .078 X 00.47id 06	1
▲▽	4 373656	(000000-) Valve, Check	1
▲▲	5 373647	(000000-) Seal Kit, Cartridge	1
▲▽	6 373661	(000000-) Valve, Relief	1
▲▲	7 373647	(000000-) Seal Kit, Cartridge	1
▲▽	8 373662	(000000-) Stem, Valve, Hyd	1
▲▲	9 373647	(000000-) Seal Kit, Cartridge	1
▲▲	10 373648	(000000-) Nut, Coil, Nyl Patch	1
▲▽	11 373657	(000000-) Stem, Valve, Hyd [4w2p]	1
▲▲	12 373647	(000000-) Seal Kit, Cartridge	1
▲▲	13 373648	(000000-) Nut, Coil, F/#8	1
▲	14 373640	(000000-) Solenoid, #8, 12vdc	3
▲	15 373658	(000000-) Spool, Pilot, Hyd	1
▲	16 373642	(000000-) Solenoid, #10, 12vdc	1
▲▽	17 373663	(000000-) Valve, Stem, No	1
▲▲	18 373646	(000000-) Seal Kit, Cartridge	1
▲▲	19 373670	(000000-) Nut, Solenoid	1
▲▽	20 373664	(000000-) Cartridge, Psi Cntrl, Valve, Hyd	1
▲▲	21 373672	(000000-) Seal Kit, Cartridge	1
▲▲	22 373673	(000000-) Nut, Solenoid	1
▲▽	23 373683	(000000-) Valve, Relief	1
▲▲	24 373647	(000000-) Seal Kit, Cartridge	1

Fig. 11 – Hydraulic Valve Breakdown, 1072997

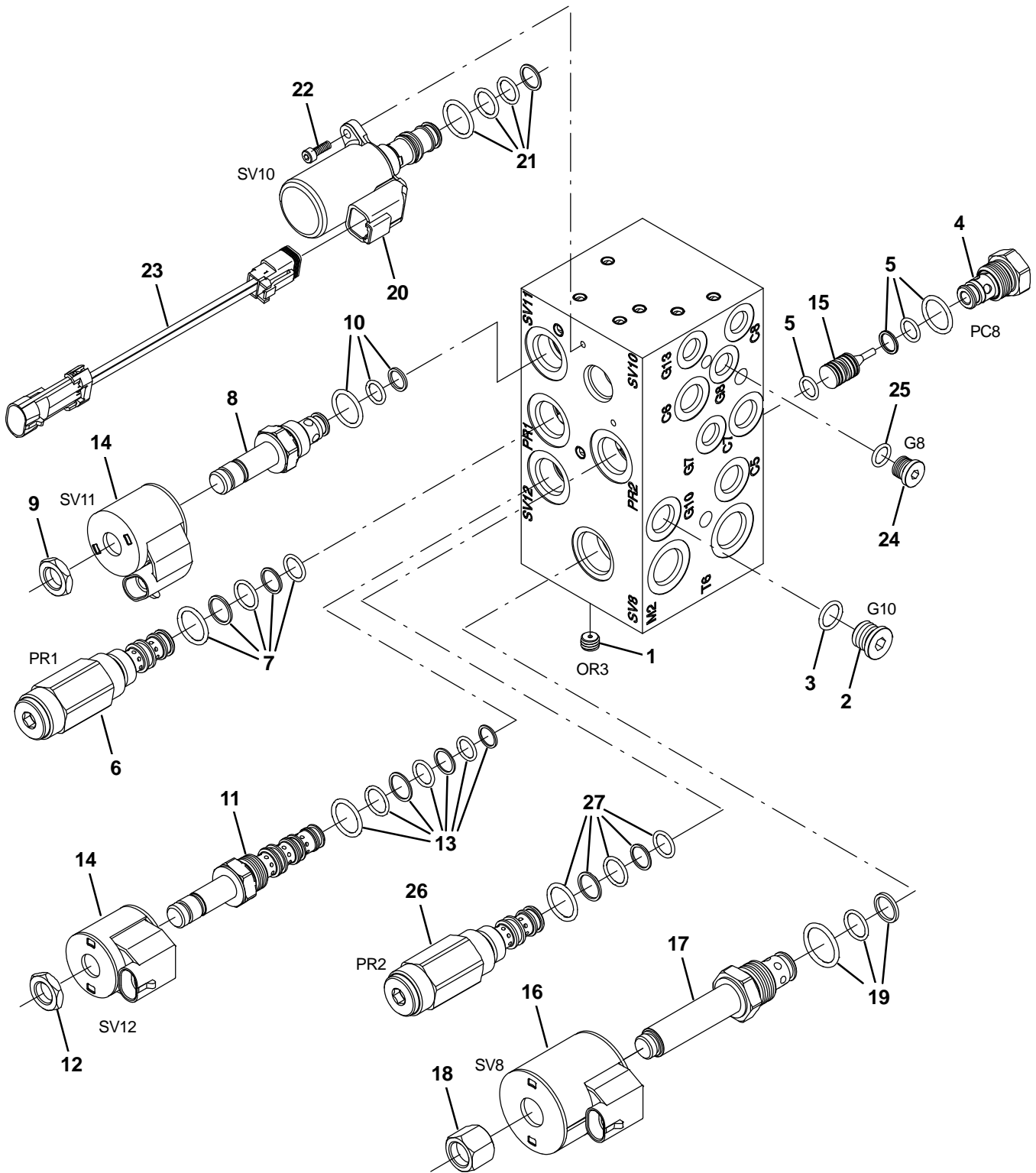


Fig. 11 – Hydraulic Valve Breakdown, 1072997

Ref.	Part No.	Serial Number	Description	Qty.
▽	1072997	(000000–) Valve, Cntrl, Hyd, Solenoid, 03/16gpm	1
▲	1 373633	(000000–) Plug, Orifice, Valve, Hyd, .040	1
▲▽	2 13904	(000000–) Fitting, Plug, Org, #6, Valve [Cec]	1
▲▲	3 77005	(000000–) Seal, Org, .078 X 00.47id 06	1
▲▽	4 373656	(000000–) Valve, Check	1
▲▲	5 373647	(000000–) Seal Kit, Cartridge	1
▲▽	6 373661	(000000–) Valve, Relief	1
▲▲	7 373647	(000000–) Seal Kit, Cartridge	1
▲▽	8 373662	(000000–) Stem, Valve, Hyd	1
▲▲	9 373648	(000000–) Nut, Coil, Nyl Patch	1
▲▲	10 373647	(000000–) Seal Kit, Cartridge	1
▲▽	11 373657	(000000–) Stem, Valve, Hyd [4w2p]	1
▲▲	12 373648	(000000–) Nut, Coil, F/#8	1
▲▲	13 373647	(000000–) Seal Kit, Cartridge	1
▲	14 373640	(000000–) Solenoid, #8, 12vdc	3
▲	15 373658	(000000–) Spool, Pilot, Hyd	1
▲	16 373642	(000000–) Solenoid, #10, 12vdc	1
▲▽	17 373663	(000000–) Valve, Stem, No	1
▲▲	18 373670	(000000–) Nut, Solenoid	1
▲▲	19 373646	(000000–) Seal Kit, Cartridge	1
▲▽	20 9011347	(000000–) Valve Assy [Proportional]	1
▲▲	21 9011343	(000000–) Seal Kit, Valve [Ehpr98]	1
▲▲	22 9011345	(000000–) Screw, Mtg [Ehpr98]	2
▲▲	23 9011346	(000000–) Harness, Jumper [Deutsch To Mpack]	1
▲▽	24 13904	(000000–) Fitting, Plug, Org, #6, Valve [Cec]	1
▲▲	25 77005	(000000–) Seal, Org, .078 X 00.47id 06	1
▲▽	26 373683	(000000–) Valve, Relief	1
▲▲	27 373647	(000000–) Seal Kit, Cartridge	1

Fig. 12 – Hydraulic Valve Breakdown, 1072996

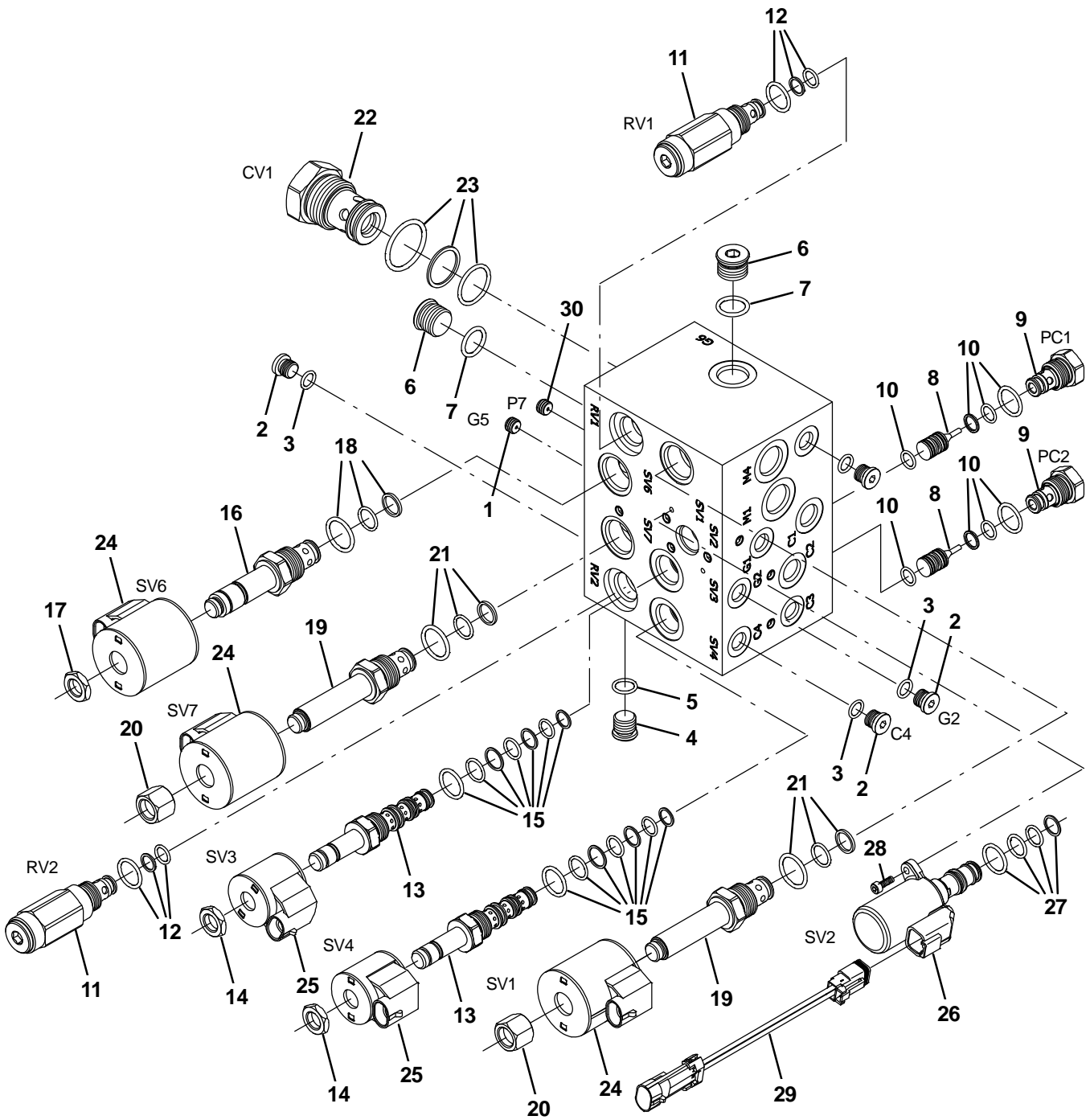


Fig. 12 – Hydraulic Valve Breakdown, 1072996

Ref.	Part No.	Serial Number	Description	Qty.
▽	1072996	(000000–) Valve, Cntrl, Hyd, Solenoid, 12vdc 08gpm	1
▲	1 373665	(000000–) Plug, Orifice, Valve, Hyd, .046	1
▲▽	2 74098	(000000–) Fitting, Hyd, Plug, Om04	4
▲▲	3 77003	(000000–) Seal, Org, .072 X 00.35id #04	1
▲▽	4 13904	(000000–) Fitting, Plug, Org, #6, Valve [Cec]	1
▲▲	5 77005	(000000–) Seal, Org, .078 X 00.47id #06	1
▲▽	6 13907	(000000–) Fitting, Hyd, Plug, Om08	2
▲▲	7 77006	(000000–) Seal, Org, .087 X 00.64id #08	2
▲	8 373658	(000000–) Spool, Pilot, Hyd	2
▲▽	9 373631	(000000–) Valve, Check	2
▲▲	10 373647	(000000–) Seal Kit, Cartridge	1
▲▽	11 373666	(000000–) Valve, Relief	2
▲▲	12 373647	(000000–) Seal Kit, Cartridge	1
▲▽	13 373657	(000000–) Stem, Valve, Hyd, 4w2p	2
▲▲	14 373648	(000000–) Nut, Coil, F/#8	1
▲▲	15 373647	(000000–) Seal Kit, Cartridge	1
▲▽	16 373667	(000000–) Stem, Valve, Hyd	1
▲▲	17 373648	(000000–) Nut, Coil, F/#8	1
▲▲	18 373646	(000000–) Seal Kit, Cartridge	1
▲▽	19 373663	(000000–) Valve, Stem, No	2
▲▲	20 373670	(000000–) Nut, Solenoid	1
▲▲	21 373646	(000000–) Seal Kit, Cartridge	1
▲▽	22 373668	(000000–) Valve, Check	1
▲▲	23 373671	(000000–) Seal Kit, Cartridge	1
▲	24 373642	(000000–) Solenoid, #10, 12vdc	3
▲	25 373640	(000000–) Solenoid, #8, 12vdc	2
▲▽	26 9011347	(000000–) Valve Assy [Proportional]	1
▲▲	27 9011343	(000000–) Seal Kit, Valve [Ehpr98]	1
▲▲	28 9011345	(000000–) Screw, Mtg [Ehpr98]	2
▲▲	29 9011346	(000000–) Harness, Jumper [Deutsch To Mpack]	1
▲	30 373669	(000000–) Plug, Orifice, Valve, Hyd, .063	1

Fig. 13 – Hydraulic Steering Valve Breakdown, 1024260

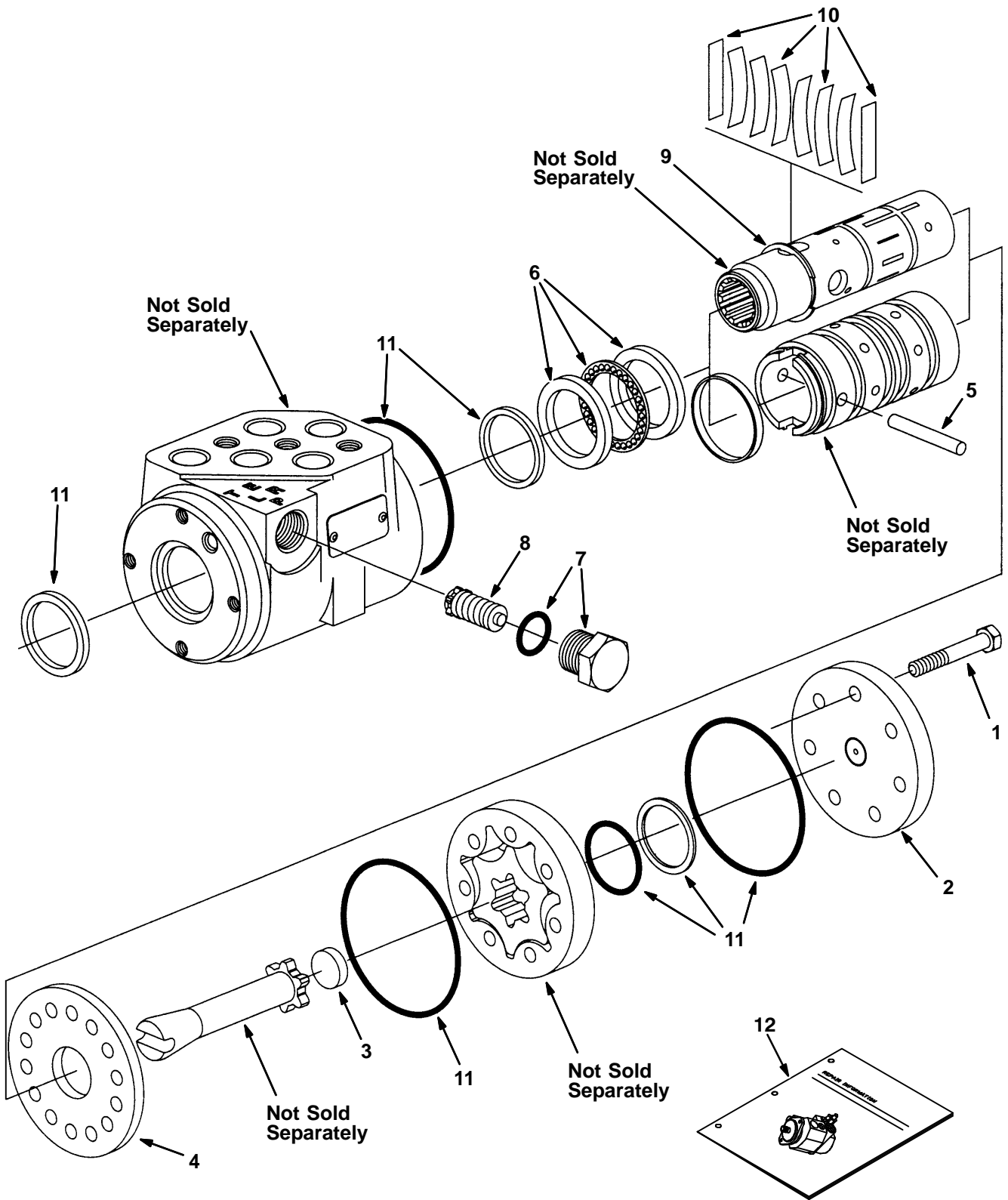
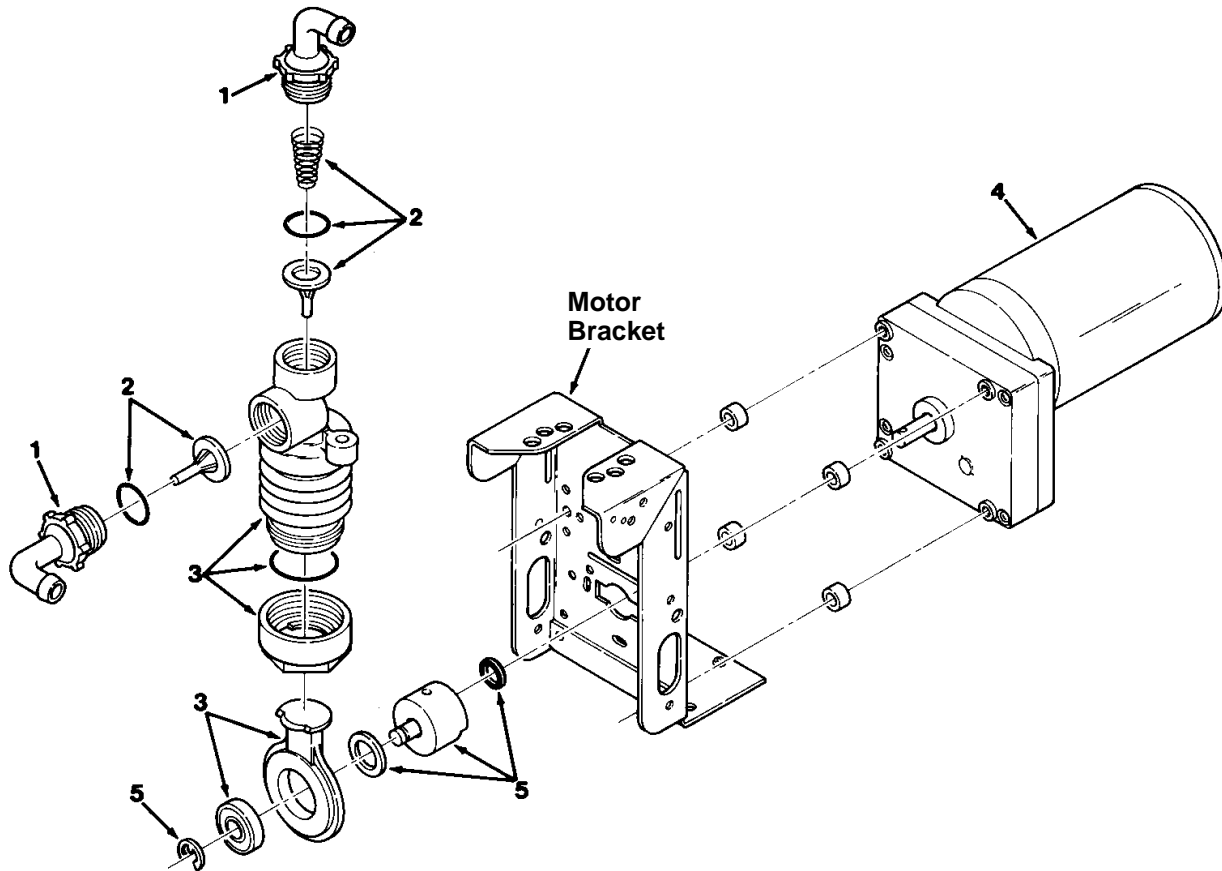


Fig. 13 – Hydraulic Steering Valve Breakdown, 1024260

	Ref.	Part No.	Serial Number	Description	Qty.
▽		1024260	(000000–) Steer–Control, Hyd05, 06.1 2030	1
▲	1	74183	(000000–) Screw, Valve, Steering	7
▲	2	74185	(000000–) Cap, End, Valve, Steering	1
▲	3	74193	(000000–) Spacer, Valve, Steering	1
▲	4	74222	(000000–) Plate, Wear, Steering Valve	1
▲	5	74232	(000000–) Pin, Valve, Steering	1
▲	6	21935	(000000–) Bearing Kit [CI]	1
▲	7	21933	(000000–) Plug Assy [CI]	1
▲	8	21934	(000000–) Valve Assy, Relief [CI]	1
▲	9	74243	(000000–) Ring, Retainer, Steering Valve	1
▲	10	74196	(000000–) Spring Kit, Scu [CI]	1
▲	11	74244	(000000–) Seal Kit, Steering [CI]	1
▲	12	74245	(000000–) Instr, Valve, Steering, Repair	1

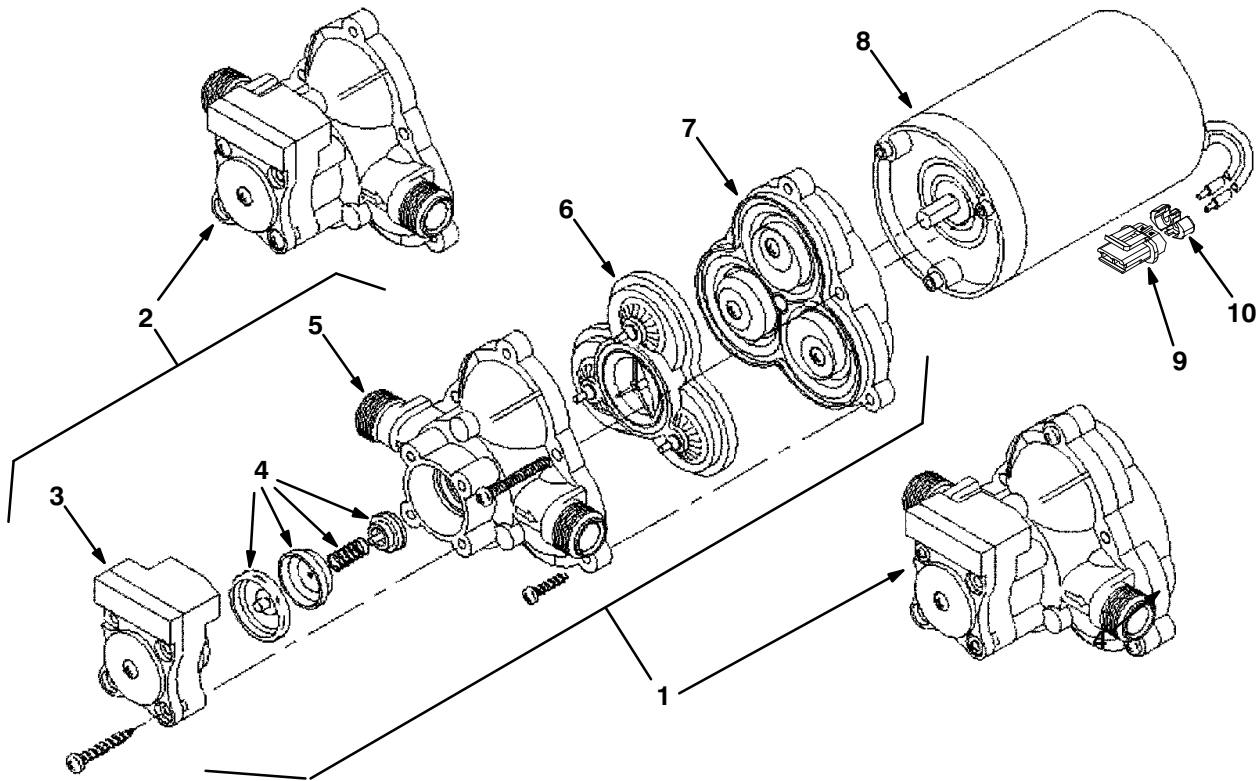
Fig. 14 – Metering Solution Pump Breakdown, 73260



00112 – ALL

Ref.	Part No.	Serial Number	Description	Qty.
▽	73260	(000000–) Pump, Detgt, 14vdc, 150ml/Min 20psi	1
▲	1 63923	(000000–) Tubing Connctr.Kit, Gorman Pmp	1
▲	2 21659	(000000–) Valve Kit, Poppet, Gorman Rupp	1
▲	3 21657	(000000–) Kit, Bellows, Pump, Detgt	1
▲	4 78875	(000000–) Motor, Ele, Gear, 14vdc, Pump, Detgt	1
▲	5 02430	(000000–) Crank Kit, Pump, F/79323, Replmt	1

Fig. 15 – Water Pump Breakdown, 1026743



07490 – 09670

Ref.	Part No.	Serial Number	Description	Qty.
▽	1026743	(000000–) Pump, Diaphragm	1
▲	1	1031802	(000000–) Complete Pump Kit, Pump, Repair,	1
▲	2	1031803	(000000–) Hsg & Switch Kit, Pump, Repair,	1
▲	3	1031796	(000000–) Switch Kit, Pump, Repair,	1
▲	4	1031797	(000000–) Check Valve Kit, Pump, Repair,	1
▲	5	1031798	(000000–) Upper Hsg Kit, Pump, Repair,	1
▲	6	1031799	(000000–) Bypass Valve Kit, Pump, Repair,	1
▲	7	1031800	(000000–) Diaphragm Kit, Pump, Repair,	1
▲	8	1031801	(000000–) Motor Kit, Pump, Repair,	1
▲	9	78950	(000000–) Connector, Fem, 02cav, Mp280 Sealed	1
▲	10	78952	(000000–) Lock, Secondary, 2cav, Mp280 Sealed	1
▲		78951	(000000–) Terminal, Fem, Mp280, Sealed, 18–16ga	2
▲		10917	(000000–) Seal, Wire, 14/16ga [Wp / Mp280 Sealed]	2

Fig. 16 – ec-H2O Module Assembly Breakdown, 9007882

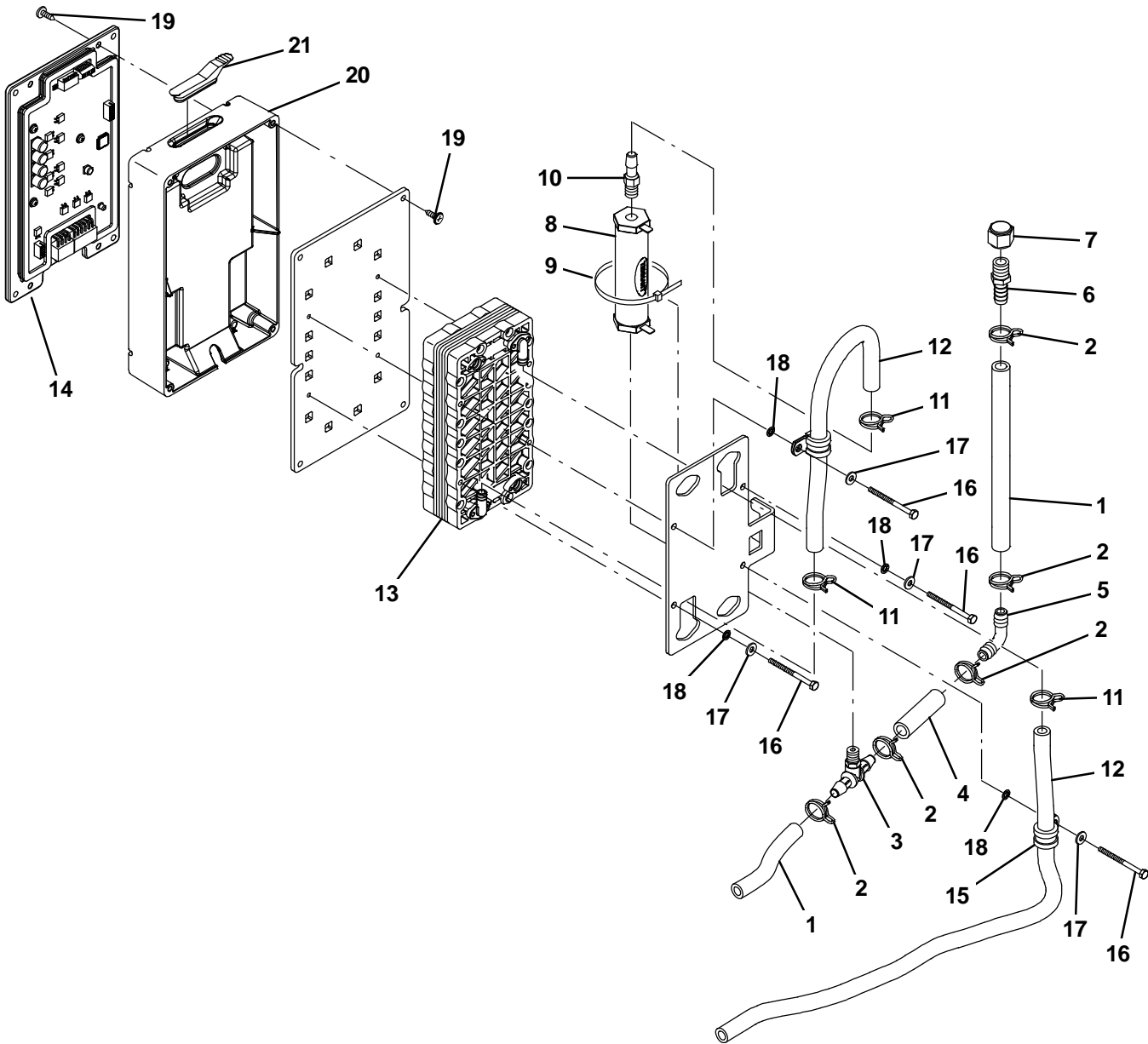


Fig. 16 – ec–H2O Module Assembly Breakdown, 9007882

Ref.	Part No.	Serial Number	Description	Qty.
▽	9007882	(000000–) Module Kit, Replmt [Ec–H2O]	1
▲	1 1014974	(000000–) Hose, Afmkt, Pvc, Brd, 0.38id, 02ft, Clr	2
▲	2 607775	(000000–) Clamp, Hose, Wir, .63 – .66, Blk	5
▲	3 1060517	(000000–) Fitting, Plstc, Tee, Bm06/Pm02/Bm06	1
▲	4 1014971	(000000–) Hose, Afmkt, Pvc, Brd, 0.38id, 01ft, Clr	1
▲	5 20951	(000000–) Fitting, Plstc, E90, Bm06/Bm06	1
▲	6 150540	(000000–) Fitting, Plstc, Str, Bm06/Pm04	1
▲	7 1005435	(000000–) Fitting, Plstc, Pipe, Cap, Pf04	1
▲	8 1038159	(000000–) Electrode, Cylindrical	1
▲	9 44961	(000000–) Tie, Cable, Nyl, 14.5l .30w 4.0 Max D	1
▲	10 1060695	(000000–) Fitting, Plstc, Str, Pm02/Bm05	1
▲	11 1053464	(000000–) Clamp, Hose, Wir, .52 – .56, Yel	3
▲	12 1052336	(000000–) Hose, Afmkt, PVC, Brd, 0.31id, 03Ft, Clr	1
▲	13 1057637	(000000–) Electrode, 5 Plate, High Flow	1
▲	14 9007883	(000000–) Controller Kit, Replmt [Ec–H2O]	1
▲	15 1016354	(000000–) Clamp, Cable, Ss, 0.50d X 0.50w [Insul]	2
▲	16 32509	(000000–) Screw, Hex, M4 X 0.70 X 50, Ss	4
▲	17 41579	(000000–) Washer, Flat, 08, Ss	4
▲	18 02938	(000000–) Washer, Lock, Int, 08, Ss	4
▲	19 1018155	(000000–) Screw, Pan, Phl, M5 X 0.80 X 16, Tcut,Ss	8
▲	20 1037032	(000000–) Housing, Bottom	1
▲	21 1054776	(000000–) Grommet, Blind	1

Fig. 17 – Seat Breakdown, 1072456

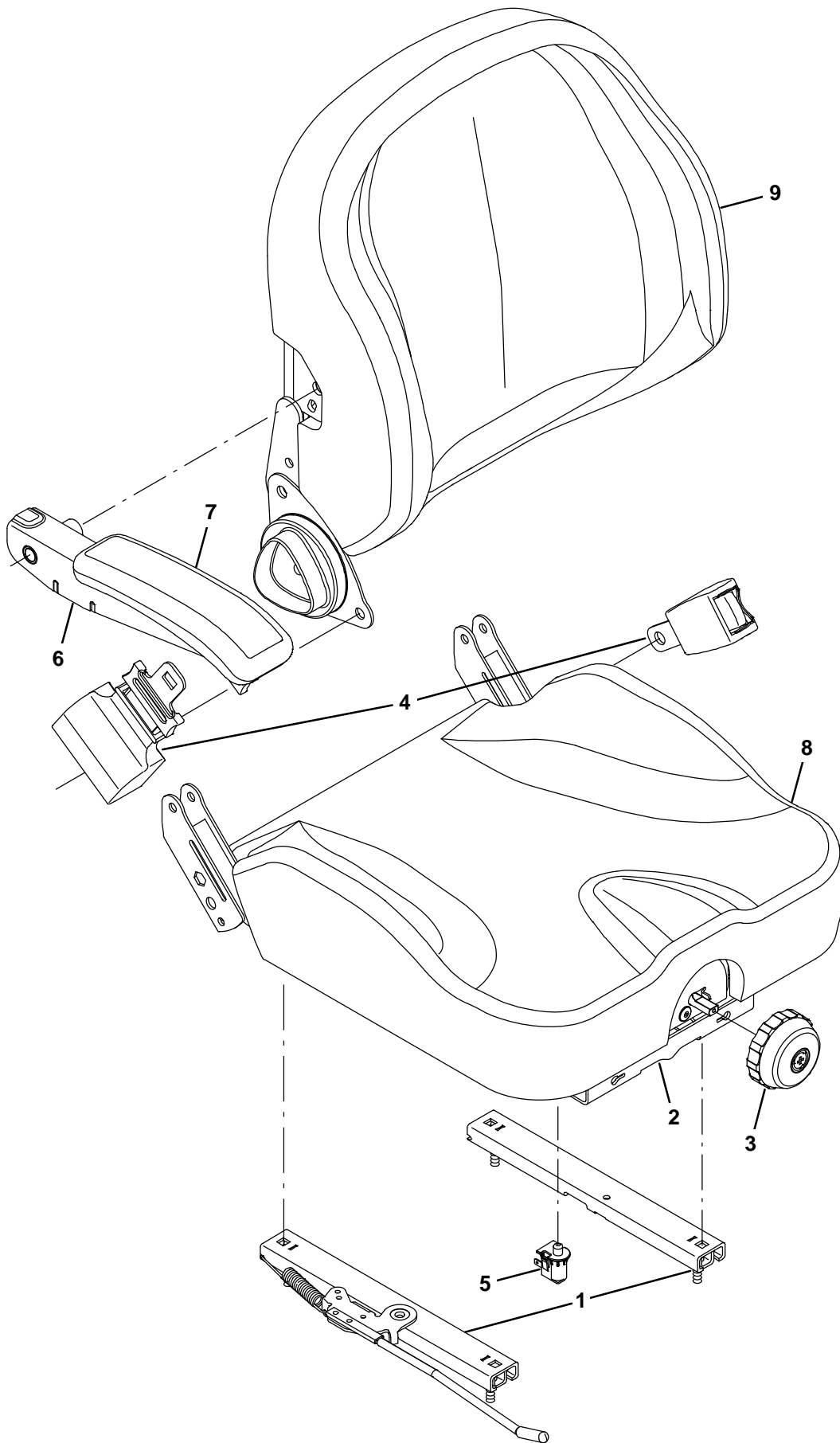
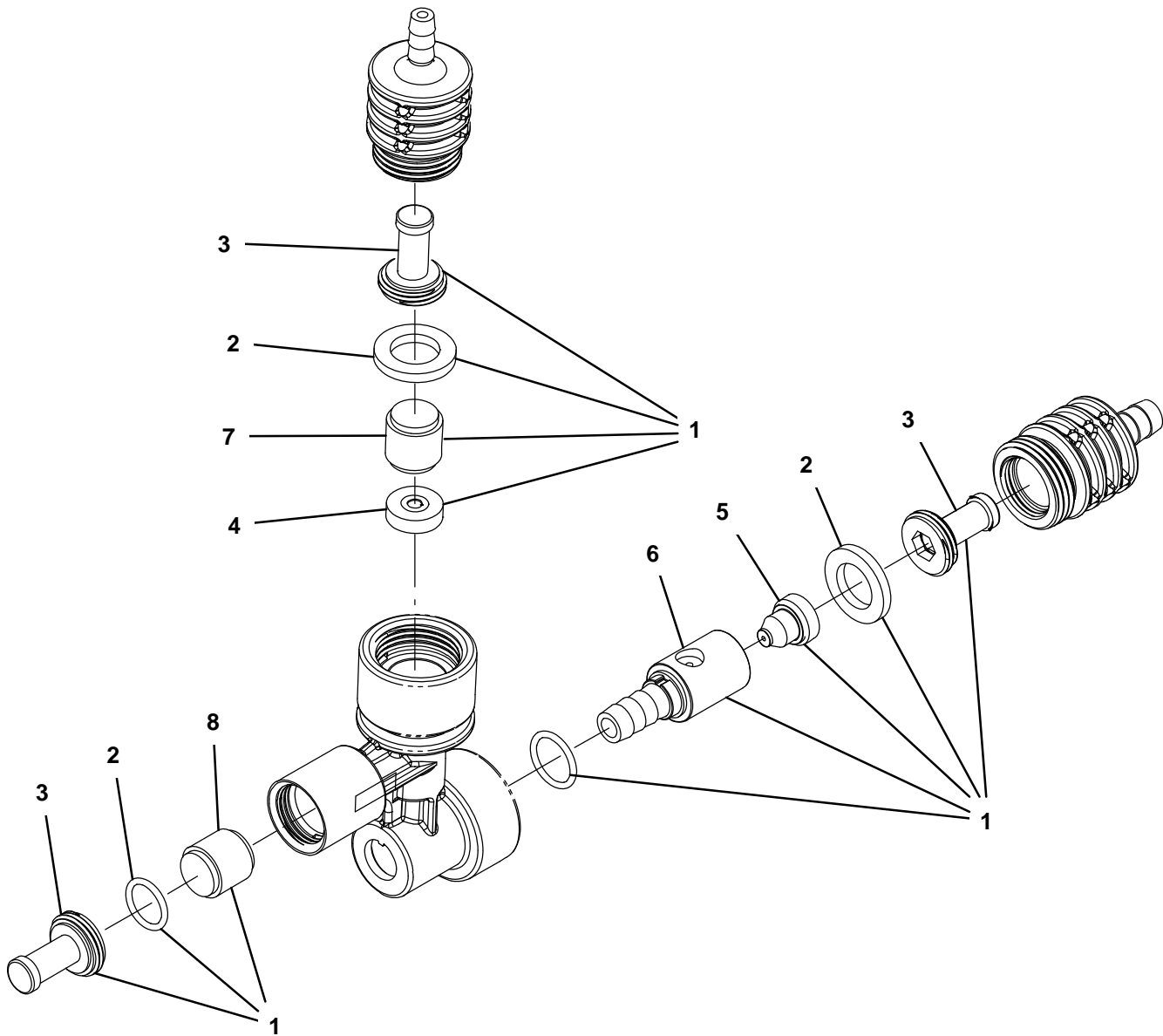


Fig. 17 – Seat Breakdown, 1072456

	Ref.	Part No.	Serial Number	Description	Qty.
▽		1072456	(000000–) Seat	1
▲	1	9012585	(000000–) Track Assy, Slide	1
▲	2	9012587	(000000–) Bellows, Seat	1
▲	3	9012589	(000000–) Knobs, Adjmt, Weight	1
▲	4	9012590	(000000–) Seatbelt	1
▲	5	9012591	(000000–) Switch, Seat	1
▲	6	9012592	(000000–) Armrest	1
▲	7	9012593	(000000–) Pad, Armrest	1
▲	8	9012594	(000000–) Cover, Cushion	1
▲	9	9012595	(000000–) Cover, Backrest	1

Fig. 18 – FaST Injector Assembly Breakdown, 9008868



356271

Ref.	Part No.	Serial Number	Description	Qty.
▽	9008868	(000000–) FaST Kit, Injector [M20/T20/m30 FaST III}	1
▲▽	1 9008757	(000000–) FaST Kit, Ci [inj Reblid, M30/M20 III]	1
▲▲	2 9008848	(000000–) FaST Kit, Seal, injector, Ci [FaST III]	1
▲▲	3 9003009	(000000–) FaST Kit, Ci, Injector Filters[FaST li+]	1
▲▲	4 1059878	(000000–) Plate Assy, Orifice, 0.0105ld, Green	1
▲▲	5 1042710	(000000–) Plug, Orifice, 0.060, Ss [FaST li+]	1
▲▲	6 1059234	(000000–) Insert, :Lrg [Venturi, FaST III]	1
▲▲	7 1030444	(000000–) Valve, Check, 0002psi [FaST li+]	1
▲▲	8 1030441	(000000–) Valve, Check, 0005psi [FaST li+]	1

SECTION 5

Contents	Page
Fig. 1 – Cylinder Head and Valves Group . . .	5-2
Fig. 2 – Crankshaft and Pistion Group	5-4
Fig. 3 – Oil and Water Pump Group	5-6
Fig. 4 – Oil Pan and Filter Group	5-8
Fig. 5 – Manifold Group	5-9
Fig. 6 – Camshaft Group	5-10
Fig. 7 – Ignition Group	5-12

Fig. 1 - Cylinder Head and Valves Group

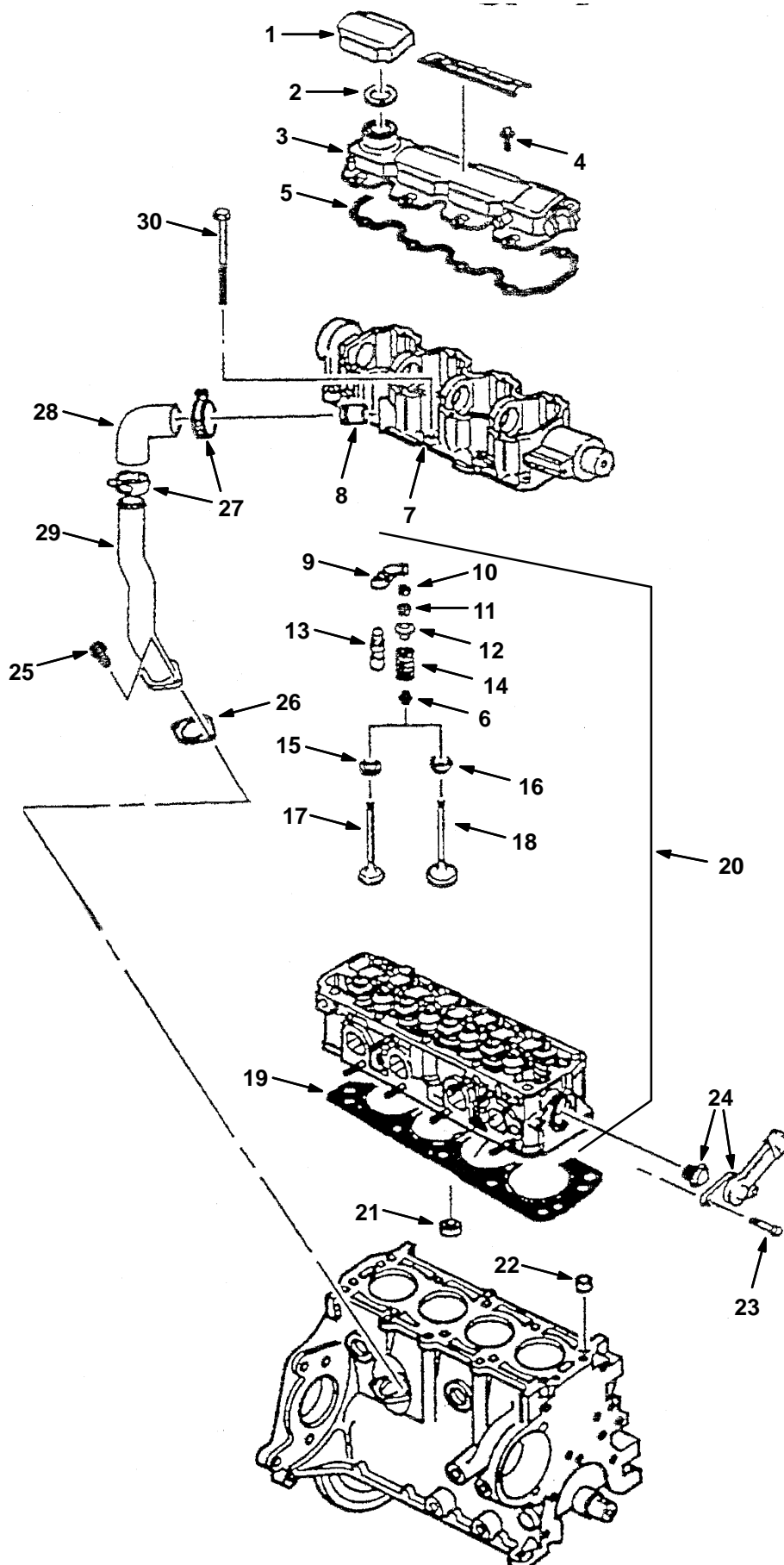


Fig. 1 – Cylinder Head and Valves Group

Ref.	Part No.	Description	Qty.
1	372574	Cap, Filler, Oil, W/ Org	1
2	372573	Seal, Org, Cap	1
3	372007	Cover, Hsng, Camshaft	1
4	371990	Bolt, Camshaft Cover	8
5	372008	Gasket, Cover, Hsng, Camshaft	1
6	9003345	Seal, Seat, Valve	8
7	372018	Housing, Camshaft	1
8	372019	Tube [Pcv]	1
9	372030	Arm, Rocker, Valve	8
10	372031	Seat, Spring, Valve, 0.333	8
11	372033	Key, Valve Stem	16
12	372034	Cap, Spring, Valve	4
13	372035	Screw, Adj, Valve, Hyd	8
14	372036	Spring, Valve	8
15	372037	Seat, Rotator, Valve	4
16	372032	Seat, Spring, Valve	8
17	372038	Valve, Exhaust	4
18	372039	Valve, Intake	1
19	372022	Gasket, Head, Cyl	1
20	372023	Head, Cyl	1
21	372024	Seat, Valve, Exhaust, [+0.2mm]	4
21	372025	Seat, Valve, Exhaust, Std	4
21	372026	Seat, Valve, Exhaust, [+0.4mm]	4
21	372027	Seat, Valve, Intake, Std	4
21	372028	Seat, Valve, Intake, [+0.2mm]	4
21	372029	Seat, Valve, Intake, [+0.4mm]	4
22	371999	Pin, Lock, Cyl Head, 14mm X 17mm	2
23	372048	Bolt, Hsng, Thermostat	2
24	372047	Thermostat, W/ Hsng And Seal	1
25	371957	Bolt, Tube [Pvc], M6 X 1 X 15	2
26	371958	Gasket, Tube [Pcv]	1
27	371954	Clamp, Hose, 1.75 [Pcv]	2
28	371955	Hose [Pcv]	1
29	371956	Tube [Pcv]	1
30	372882	Bolt, Head. Cyl	10

Fig. 2 – Crankshaft and Piston Group

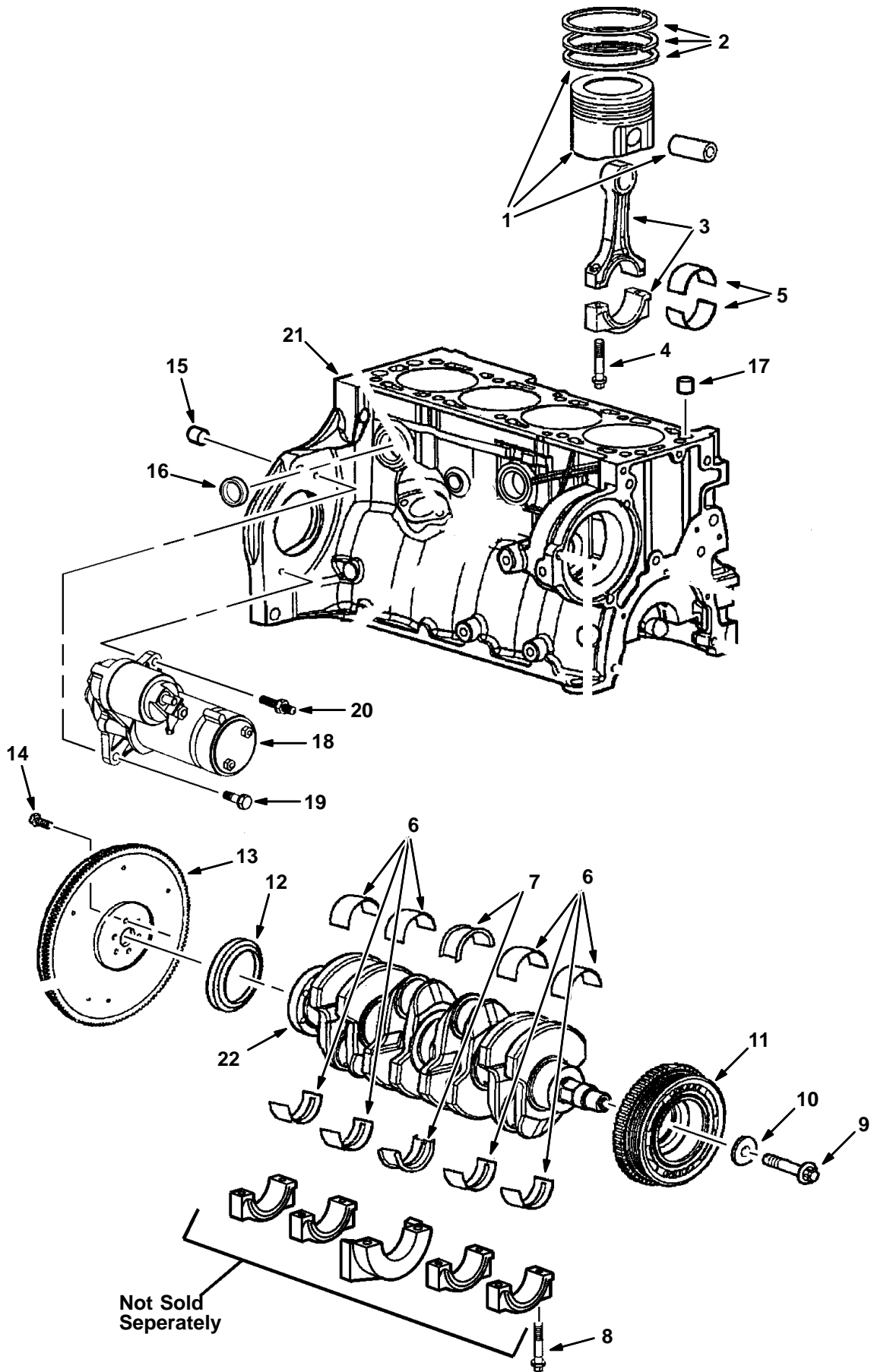


Fig. 2 – Crankshaft and Piston Group

	Ref.	Part No.	Description	Qty.
▽	1	371932	Piston, W/ Pin, Std	1
▲	2	371931	Ring Kit, Piston, Std 78.95–79.02mm	4
	3	371934	Rod, Connecting, M08 X 45	4
	4	371935	Bolt, Connecting Rod	8
	5	371933	Bearing Kit, Rod, Connecting, Std	1
	6	371966	Bearing Kit, Cshft, 1.995–2.001mm (Brown Blue)	4
	6	371967	Bearing Kit, Cshft, 2.120–2.126mm	4
	6	371968	Bearing Kit, Cshft, 2.114–2.120mm (Green)	4
	6	371969	Bearing Kit, Cshft, 1.989–1.995mm (Std Brown)	4
	7	371970	Bearing Kit, Cshft, 1.989–1.995mm (Brown – Middle)	1
	7	371971	Bearing Kit, Cshft, 1.995–2.001mm (Green – Middle)	1
	8	371946	Bolt, M10 X 1.50 X 75mm	10
	9	371938	① Bolt, M12 X 1.75 X 62mm	1
	9	384961	② Bolt, Pulley, Cshft	1
	10	371937	Washer, Sheave, Cshft	1
	11	371936	Sheave, Cshft	1
	12	371945	Seal, Oil, Cshft	1
▽	13	371979	Flywheel	1
▲		371977	Gear, Ring, Starter	1
	14	371976	Bolt, Flywheel	6
	15	371978	Pin, Lock, Transmission	2
	16	371942	Plug, Hole, Coolant, Eng Block	6
	17	371999	Pin, Lock, Cyl Head, 14mm X 17mm	2
	18	371962	③ Starter, 12vdc [Gm] (Before Mar. 2006)	1
	18	384963	④ Starter, 12vdc [Delco] (Mar. 2006 and Newer)	1
	19	371963	① Bolt, M08 X 1.25 X 25mm	1
	19	384964	② Bolt, M08 X 1.25 X 25mm	1
	20	371964	Stud, Starter, M08 X 1.25	1
	21	371944	Block, Short, Eng, W/ Piston & Ring	1
	22	371965	Crankshaft	1

① Serial Number (000000–xxxxxx)

② Serial Number (xxxxxx–)

③ Serial Number (000000000–1PGL13150)

④ Serial Number (1PGL13151–)

Fig. 3 – Oil and Water Pump Group

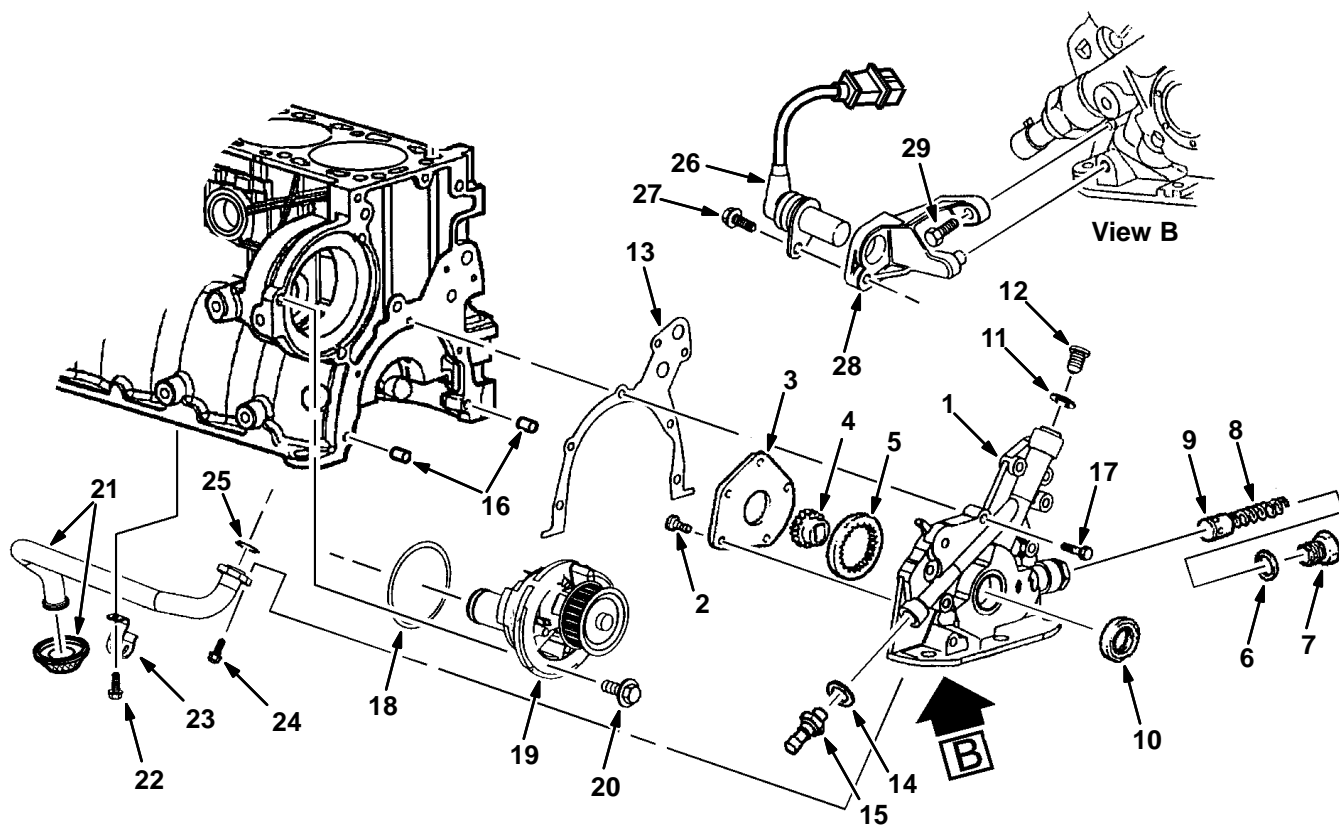


Fig. 3 – Oil and Water Pump Group

Ref.	Part No.	Description	Qty.
▽	1 372572	Pump, Oil	1
▲	2 371947	Bolt, Cover, Oil Pump, M6 X 14	5
▲	3 371948	Cover, Pump, Oil	1
▲	4 371949	Gear, Ring, Drive, Oil Pump	1
▲	5 371950	Gear, Drive, Oil Pump	1
▲	6 371998	Gasket, Plug, Relief Valve, Oil Press	1
▲	7 371994	Plug, Bore, Valve, Relief, Oil Press	1
▲	8 371993	Spring, Valve, Relief, Oil Press	1
	9 371997	Valve, Relief, Oil Press	1
	10 372005	Seal, Org, Oil Pump	1
	11 371951	Seal, Org, Hsng, Oil Pump	1
	12 371952	Plug, Hsng, Oil Pump	1
	13 371984	Gasket, Pump, Oil	1
	14 371987	Seal, Org, Press Switch / Drain Plug	1
	15 371996	③ Switch, Indicator, Oil Press	1
	15 9008197	④ Switch, Indicator, Oil Press [2010]	1
	16 371983	Pin, Ring, Lock, Hsng, Water Pump	2
	17 371986	Bolt, Pump, Oil	6
	18 372567	Seal, Org, Water Pump	1
	19 371981	Pump, Water [Gm]	1
	20 371980	Bolt, Cover, Water Pump	3
	21 372001	Screen, Oil Pump, W/ Suc Pipe	1
	22 371991	Bolt, Bracket, Screen, Oil Pump, M6x1x1	1
	23 372000	① Bracket, Screen, Oil Pump	1
	23 384966	② Bracket, Screen, Oil Pump	1
	24 371990	Bolt, Oil Pump Screen/Camshaft Cover	2
	25 371988	Seal, Ring, Pipe, Suc, Oil Pump	1
	26 372002	Sensor, Position, Cshft	1
	27 384968	Bolt, Bracket, Sensor, Cshft Position	1
	28 372003	Bracket, Sensor, Position, Cshft	1
	29 372004	Bolt, Sensor, Position, Cshft	3

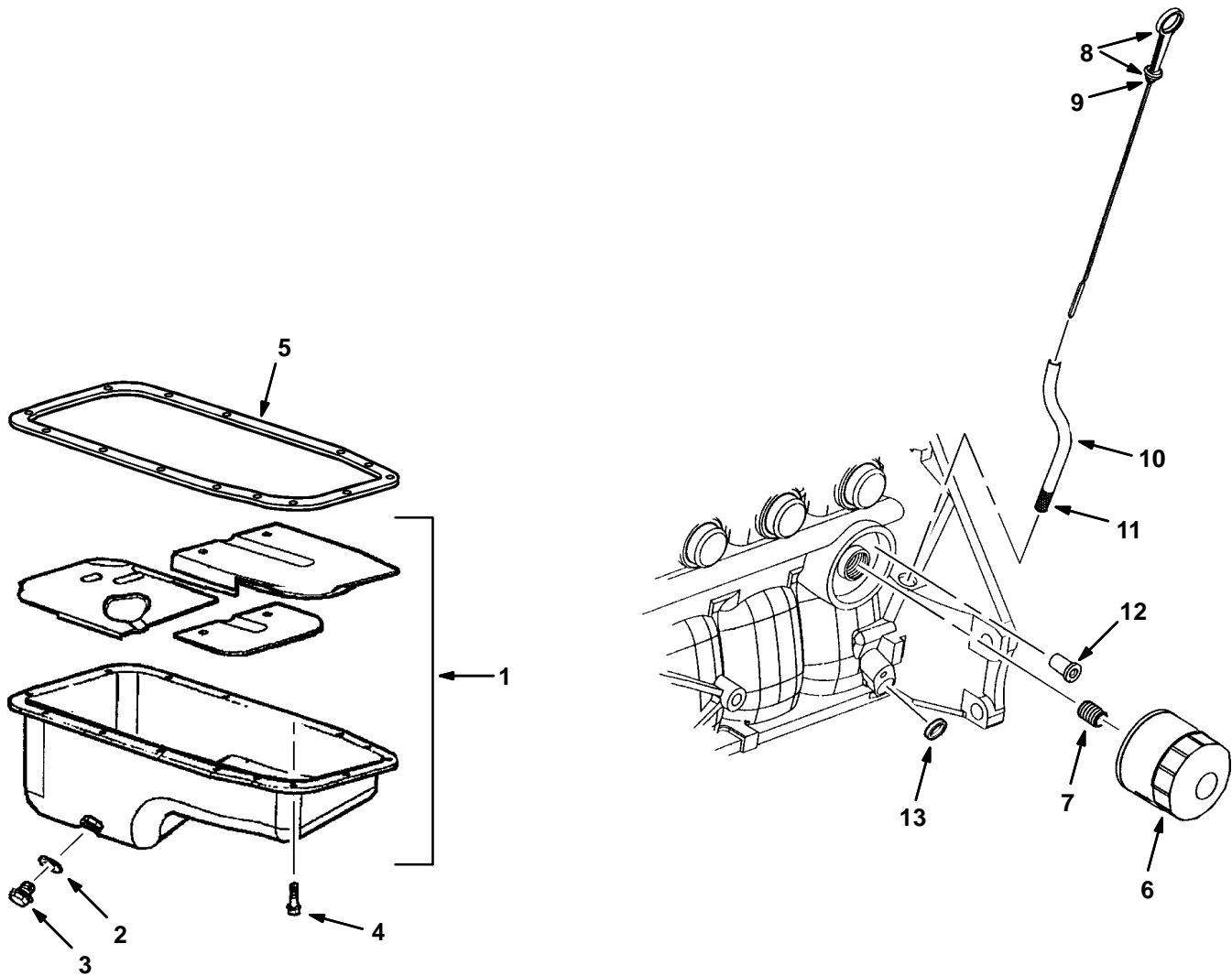
① Serial Number (000000–xxxxxx)

② Serial Number (xxxxxx–)

③ Tennant Serial number (000000–002140)

④ Tennant Serial number (002141–)

Fig. 4 – Oil Pan and Filter Group



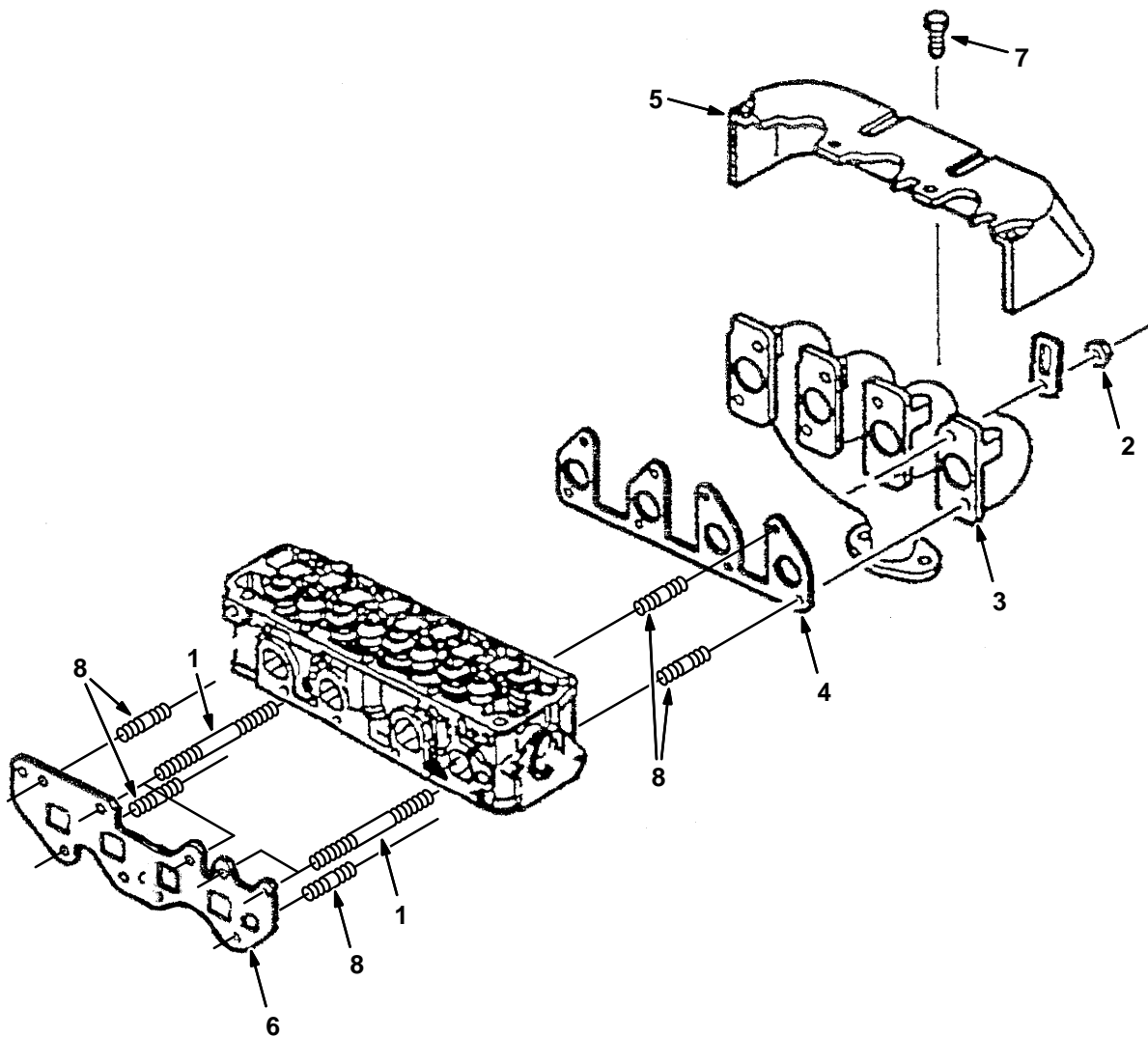
G, LP

Ref.	Part No.	Description	Qty.
▽	1 371960	Pan, Oil, W/ Baffle / Plug / Seal	1
▲	2 371987	Seal, Org, Press Switch / Drain Plug	1
▲	3 371992	Plug, Drain, Oil Pan, M14 X 1.5 X 12	1
	4 371961	① Bolt, M06 X 1.00 X 13mm	15
	4 384962	② Bolt, Pan, Oil	15
	5 371959	Gasket, Pan, Oil	1
	6 371972	Element, Fltr, Oil, Eng, Spin-On (GM)	1
	7 371973	Fitting, Fltr, Oil	1
▽	8 372560	Dipstick, Oil	1
▲	9 371995	Seal, Org, Cap, Fltr, Oil	1
	10 371940	Tube, Ds	1
	11 371941	Sealant, Tube, Ds	1
	12 371975	Valve, By-Pass, Oil Fltr	1
	13 371943	Plug, Hole, Core, Eng Block	1

① Serial Number (000000-xxxxxx)

② Serial Number (xxxxxx-)

Fig. 5 – Manifold Group



G, LP

Ref.	Part No.	Description	Qty.
1	372021	Stud, Manifold, M8 X 96	4
2	372049	Nut, Manifold, Exhaust, M8 X 1.25	8
3	372050	Manifold, Exhaust	1
4	372051	Gasket, Manifold, Exhaust	1
5	372052	Shield, Manifold, Exhaust	1
6	372053	Gasket, Manifold, Intake	1
7	372066	Bolt, Shield, Manifold, Exhaust	5
8	372020	Stud, Manifold, M8 X 28	13

Fig. 6 - Camshaft Group

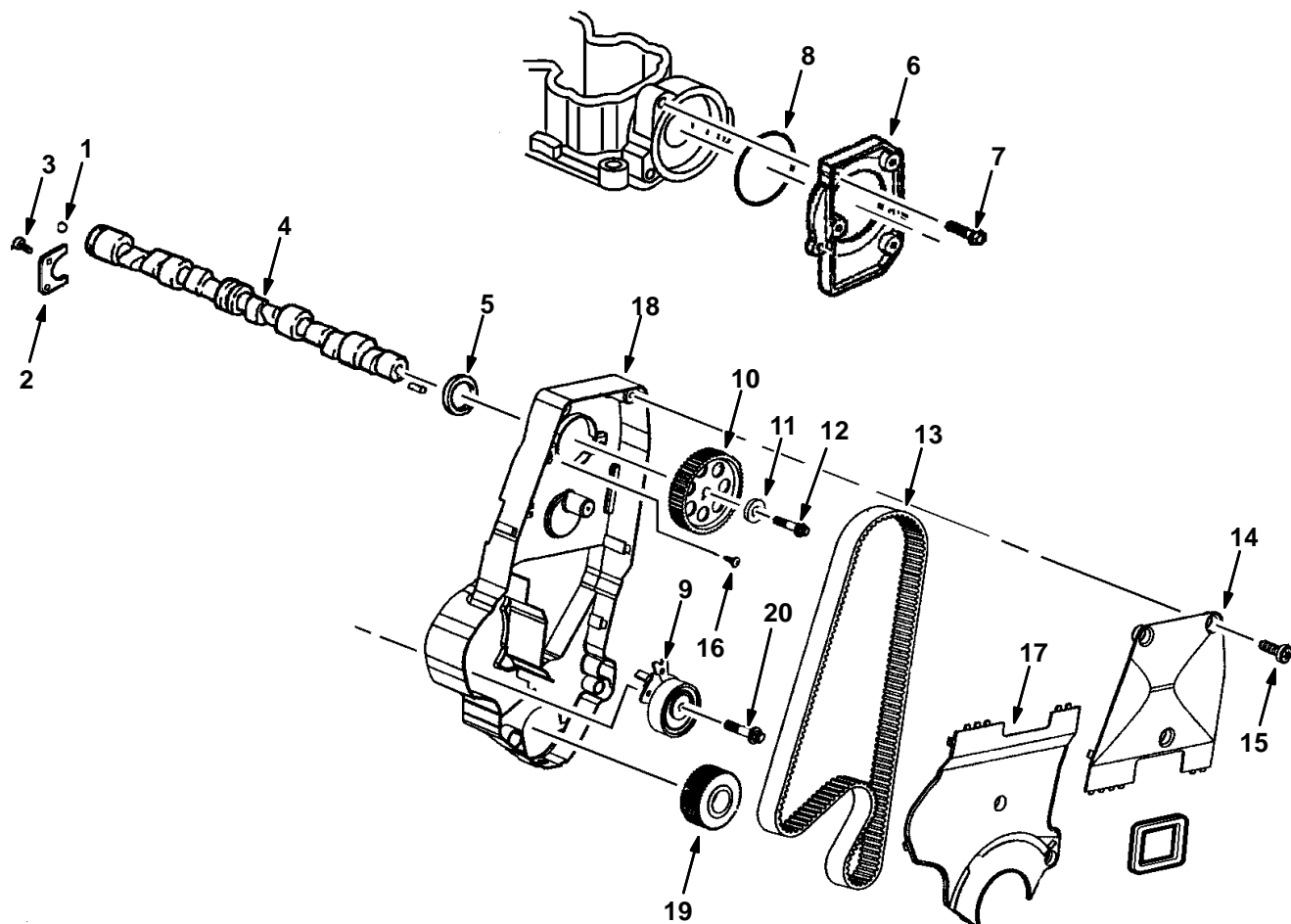
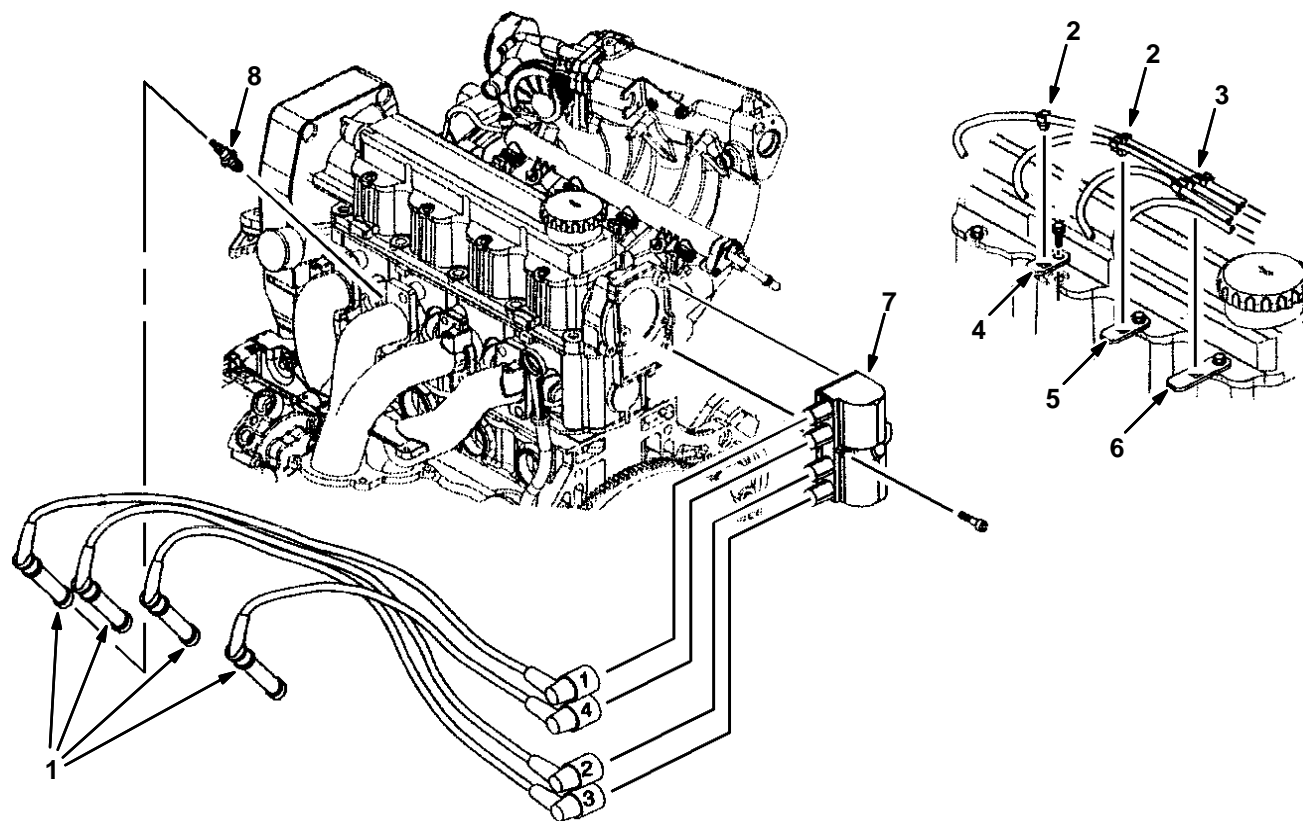


Fig. 6 – Cam Shaft Group

Ref.	Part No.	Description	Qty.
1	372009	Ball, Camshaft	1
2	372010	Retainer, Camshaft	1
3	372011	Bolt, Retainer, Camshaft, M6 X 1 X 16	2
4	372012	Camshaft	1
5	372013	Seal, Org, Bolt, Cover, Camshaft Hsng	1
6	372014	Cover, Hsng, Camshaft	1
7	372015	Bolt, Cover, Camshaft, M6 X 1 X 22	3
8	372016	Seal, Org, Bolt, Cover, Camshaft Hsng	1
9	9004674	Pulley, Tension, Belt, Timing	1
10	372040	Sprocket, Camshaft	1
11	372017	Washer, Sprkt, Camshaft	1
12	372041	Bolt, Sprocket, Camshaft, M10x1.25x60	1
13	1057029	Belt, Timing [Gm1.6L]	1
14	372043	Cover, Belt, Timing, Upper Front	1
15	371961	Bolt, Eng Cover, M6 X 1 X 13	6
16	372046	Bolt, Tensioner, Timing Belt, M8x1.25x48	1
17	372044	Cover, Belt, Timing, Lower Front	1
18	372616	Housing, Camshaft	1
19	388552	Sprocket, Crankshaft	1
20	9004675	Bolt, Tensioner [GM]	1

Fig. 7 – Ignition Group



G, LP

Ref.	Part No.	Description	Qty.
1	372603	Wire Set, Sparkplug [1.6l]	1
2	372055	Retainer, Sparkplug, 2 Way	2
3	372056	Retainer, Sparkplug, 3 Way	1
4	372057	Bracket, Retaining, Wire, Sparkplug	1
5	372058	Bracket, Retaining, Wire, Sparkplug	1
6	372059	Bracket, Retaining, Wire, Sparkplug	1
7	372060	Coil, Ignition	1
8	372575	Sparkplug	4

SECTION 6

Contents	Page
Fig. 1 – Cylinder Block Group	6-2
Fig. 2 – Rocker Cover Group	6-4
Fig. 3 – Cylinder Head Group	6-5
Fig. 4 – Front Cover and Oil Pan Group	6-6
Fig. 5 – Camshaft and Valve Group	6-8
Fig. 6 – Piston and Crankshaft Group	6-10
Fig. 7 – Balancer Group	6-11
Fig. 8 – Oil Pump and Pressure Switch Group	6-12
Fig. 9 – Water Pump Group	6-13
Fig. 10 – Intake Manifold Gasket Group ...	6-14
Fig. 11 – Exhaust Manifold Gasket Group ..	6-16
Fig. 12 – Fan Tensioner and Pump Mount Group	6-17
Fig. 13 – Flywheel Group	6-18
Fig. 14 – Ignition Coil and Spark Plug Group	6-19
Fig. 15 – Starter / Alternator Group	6-20
Fig. 16 – Remote Oil Filter	6-21
Fig. 17 – Coolant Group	6-22
Fig. 18 – DSR Coolant Group, LPG Engine	6-23
Fig. 19 – Electrical Group	6-24
Fig. 20 – Fuel Rail Group, Gasoline Engine	6-26
Fig. 21 – Throttle Body Group, Gasoline Engine	6-27
Fig. 22 – Throttle Body Group, LPG Engine	6-28
Fig. 23 – Vaporizer Group, LPG Engine ...	6-29
Fig. 24 – Electronic Pressure Regulator (EPR) Group, LPG Engine	6-30

Fig. 1 – Cylinder Block Group

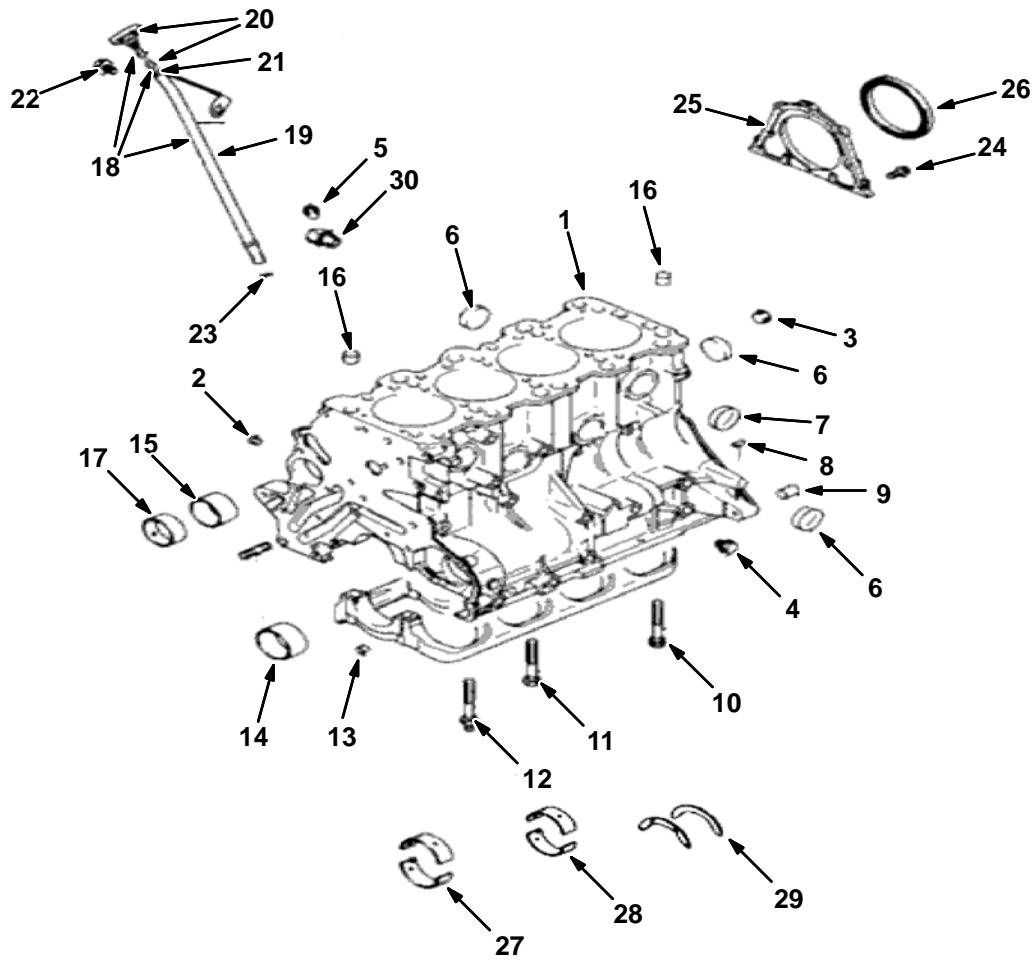
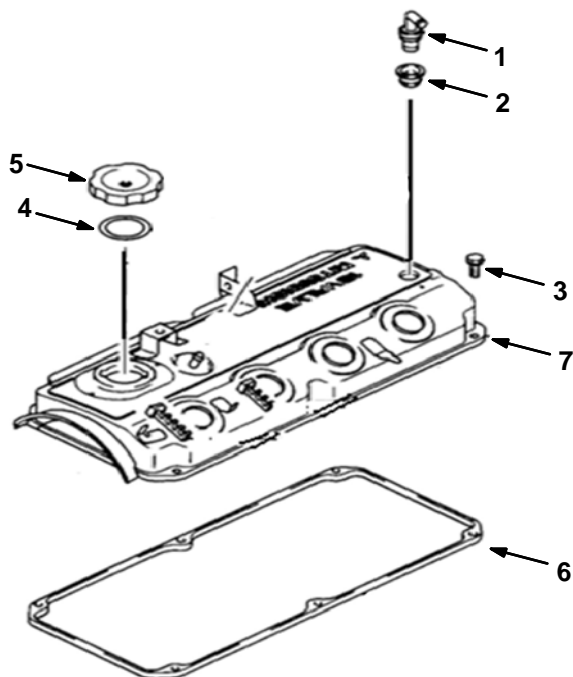


Fig. 1 – Cylinder Block Group

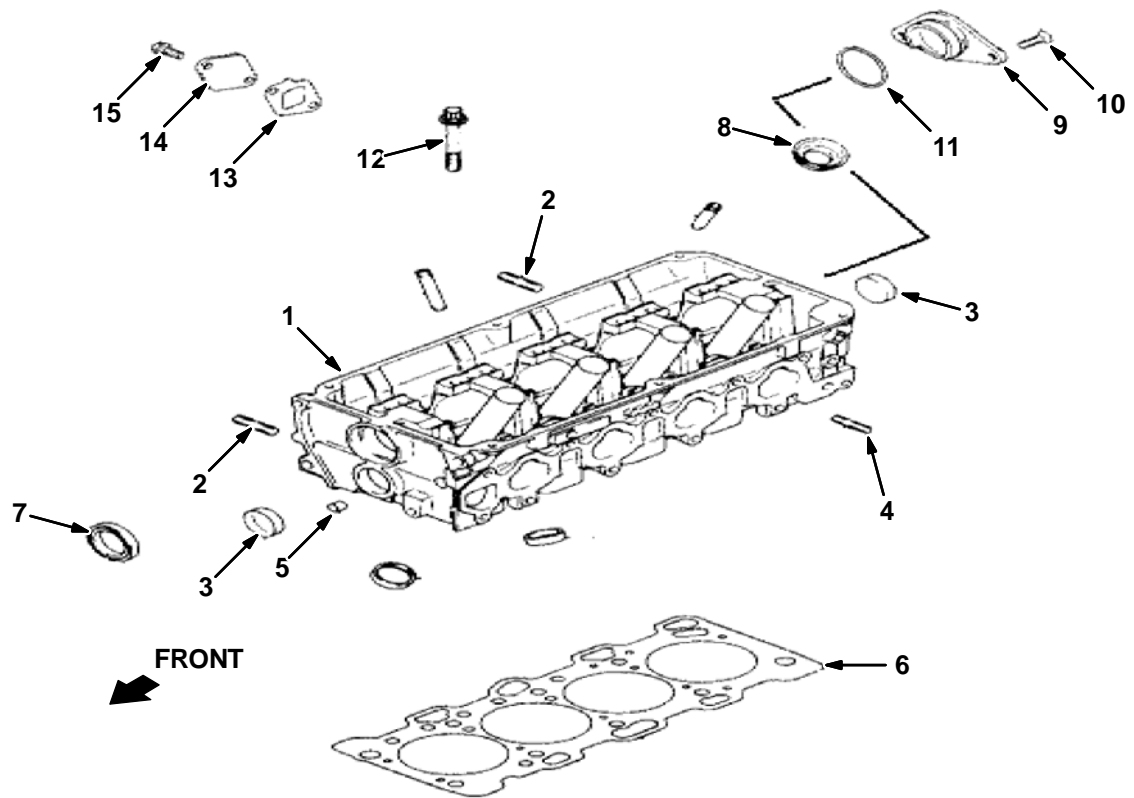
	Ref.	Part No.	Description	Qty.
▽	1	9010419	Block Assy, Cylinder	1
▲	2	9010420	Plug, Taper	2
▲	3	9010421	Plug, Taper	1
▲	4	9010422	Plug	1
▲	5	9010423	Plug, Taper	1
▲	6	9010424	Cap, Seal	7
▲	7	9010425	Cap, Seal	2
▲	8	9010426	Pin, Dowel	2
▲	9	9010427	Bushing, Knock	2
▲	10	9010428	Bolt, Cap, Bearing	2
▲	11	9010429	Bolt, Cap, Bearing	7
▲	12	9010430	Bolt, Cap, Bearing	1
▲	13	9010431	Bushing	2
▲	14	9010432	Bearing, Std, Balancer	1
▲	14	9010433	Bearing, Oversize [1.0]	1
▲	15	9010434	Bearing, Std, Balancer	1
▲	15	9010435	Bearing, Oversize [1.0]	1
▲	16	9010436	Bushing, Knock	2
▲	17	9010458	Bearing, Shaft, Std, Balancer	1
▲	17	9010459	Bearing, Shaft, Balancer [OvrSz]	1
▽	18	9010439	Dipstick Assy, Guage	1
▲	19	9010440	Dipstick, Guage, Guide	1
▲▽	20	9010437	Dipstick, Rod, Guage	1
▲▲	21	9010438	O-Ring	1
	22	9010441	Bolt, Flange	1
	23	9010442	O-Ring	1
	24	9010444	Bolt, Flange	5
	25	9010445	Seal, Case, Oil, Rear	1
	26	9010446	Seal, Oil	1
	27	9010447	Bearing, Cshft [Green Std 1,2,4,5]	4
	27	9010448	Bearing, Cshft [Yellow Std 1,2,4,5]	4
	27	9010449	Bearing, Cshft[No Color Std 1,2,4,5]	4
	27	9010450	Bearing, Cshft [Lan Std 1,2,4,5]	4
	27	9010451	Bearing, Cshft [Red Std 1,2,4,5]	4
	28	9010452	Bearing, Cshft [Green Std 3]	1
	28	9010453	Bearing, Cshft [Yellow Std 3]	1
	28	9010454	Bearing, Cshft [No Color Std 3]	1
	28	9010455	Bearing, Cshft [Lan Std 3]	1
	28	9010456	Bearing, Cshft [Black Std 3]	1
	29	9010457	Bearing, Thrust, Cshft	1
	30	9010443	Drain, Water, Joint	1

Fig. 2 – Rocker Cover Group



Ref.	Part No.	Description	Qty.
1	9010460	Valve, Pcv	1
2	9010461	Valve, Gasket, Pcv	1
3	9010462	Bolt, Rocker, Cover	6
4	9010463	Gasket, Oil, Filler, Cap	1
5	9010464	Cap, Oil, Filler	1
6	9010465	Gasket, Cover, Rocker	1
7	9010466	Cover Assy, Rocker	1

Fig. 3 – Cylinder Head Group



Ref.	Part No.	Description	Qty.	
▽	1	9010467	Head Assy, Cylinder	1
▲	2	9010473	Stud	2
▲	3	9010469	Seal, Cap	2
▲	4	9010470	Stud	3
▲	5	9010431	Bushing	2
	6	9010468	Gasket, Cylinder, Head	1
	7	9010471	Seal, Cam Shaft, Front	1
	8	9010479	Seal, Cam Shaft, Rear	1
	9	9010480	Thurst, Case	1
	10	9010481	Screw	2
	11	9010482	O-Ring	1
	12	9010484	Cylinder Assy, Head, Bolt	10
	13	9010483	Gasket	1
	14	9010485	Cover	1
	15	9010441	Bolt, Flange	2

Fig. 4 – Front Cover and Oil Pan Group

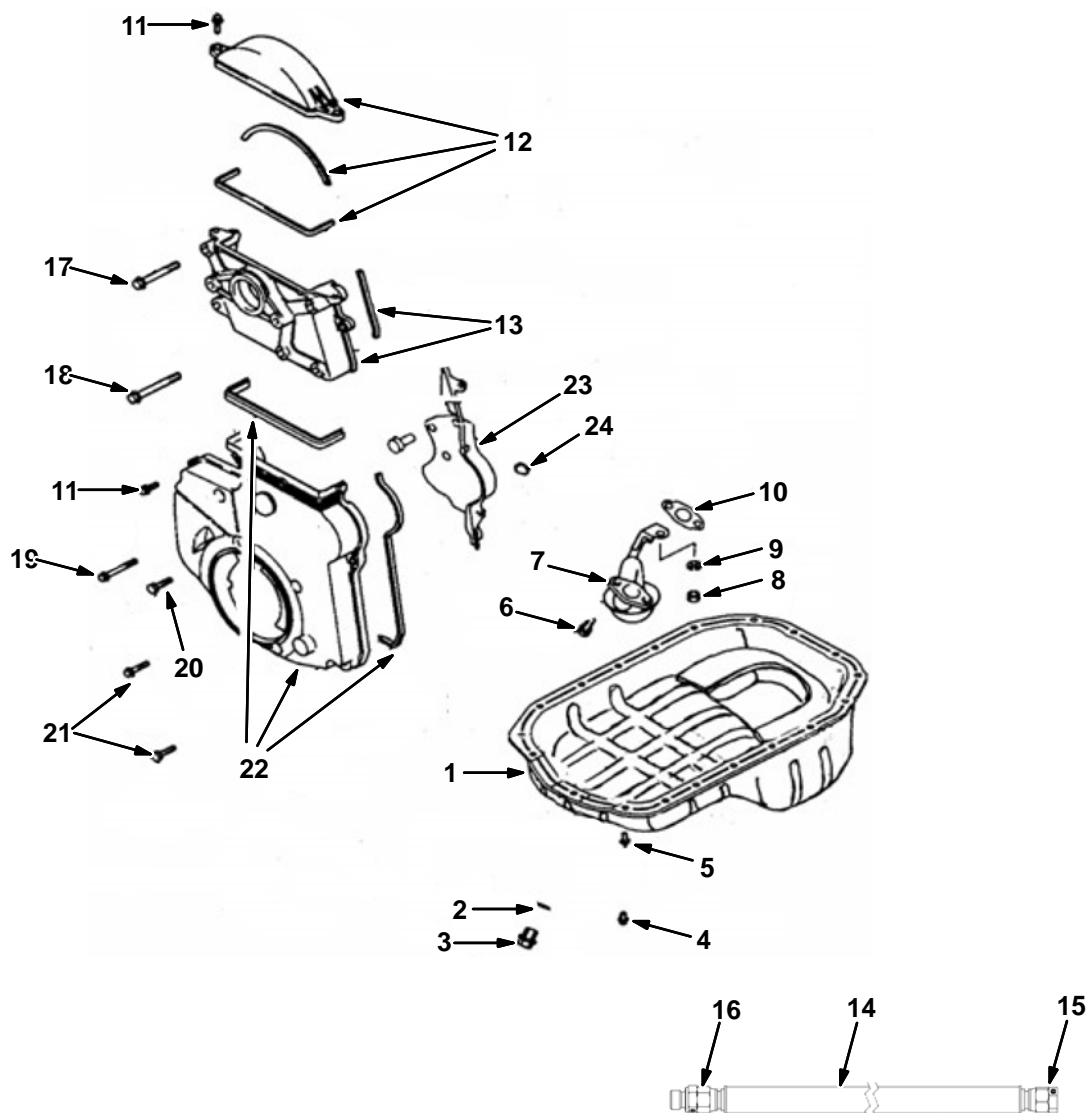


Fig. 4 – Front Cover and Oil Pan Group

	Ref.	Part No.	Description	Qty.
▽	1	9010487	Pan, Oil	1
▲	2	9010488	Gasket, Plug, Drain, Oil	1
▲	3	9010489	Plug, Oil, Drain	1
	4	9010490	Bolt, Flange	17
	5	9010491	Bolt, Flange	2
	6	9010492	Washer, Bolt	2
	7	9010493	Screen, Oil	1
	8	9010494	Nut, Strainer	1
	9	9010495	Washer, Strainer	1
	10	9010496	Gasket, Screen	1
	11	9010497	Bolt, Flange	8
	12	9010498	Cover Assy, Front, Upper [T-Belt]	1
	13	9010502	Bracket Assy, Coil, Ignition	1
	14	9010311	Hose, Drain, Oil [Mit 20/24m]	1
	15	9010312	Plug, Flare, 37deg [Mit]	1
	16	9010313	Fitting, 37deg [Mit]	1
	17	9010503	Bolt, Flange	3
	18	9010504	Bolt, Flange	1
	19	9010505	Bolt, Flange	1
	20	9010506	Bolt	2
	21	9010507	Bolt	2
	22	9010508	Cover, Lower, Front [T-Belt]	1
	23	9010511	Cover, Rear [T-Belt]	1
	24	9010512	Plug, Rubber	1

Fig. 5 - Camshaft and Valve Group

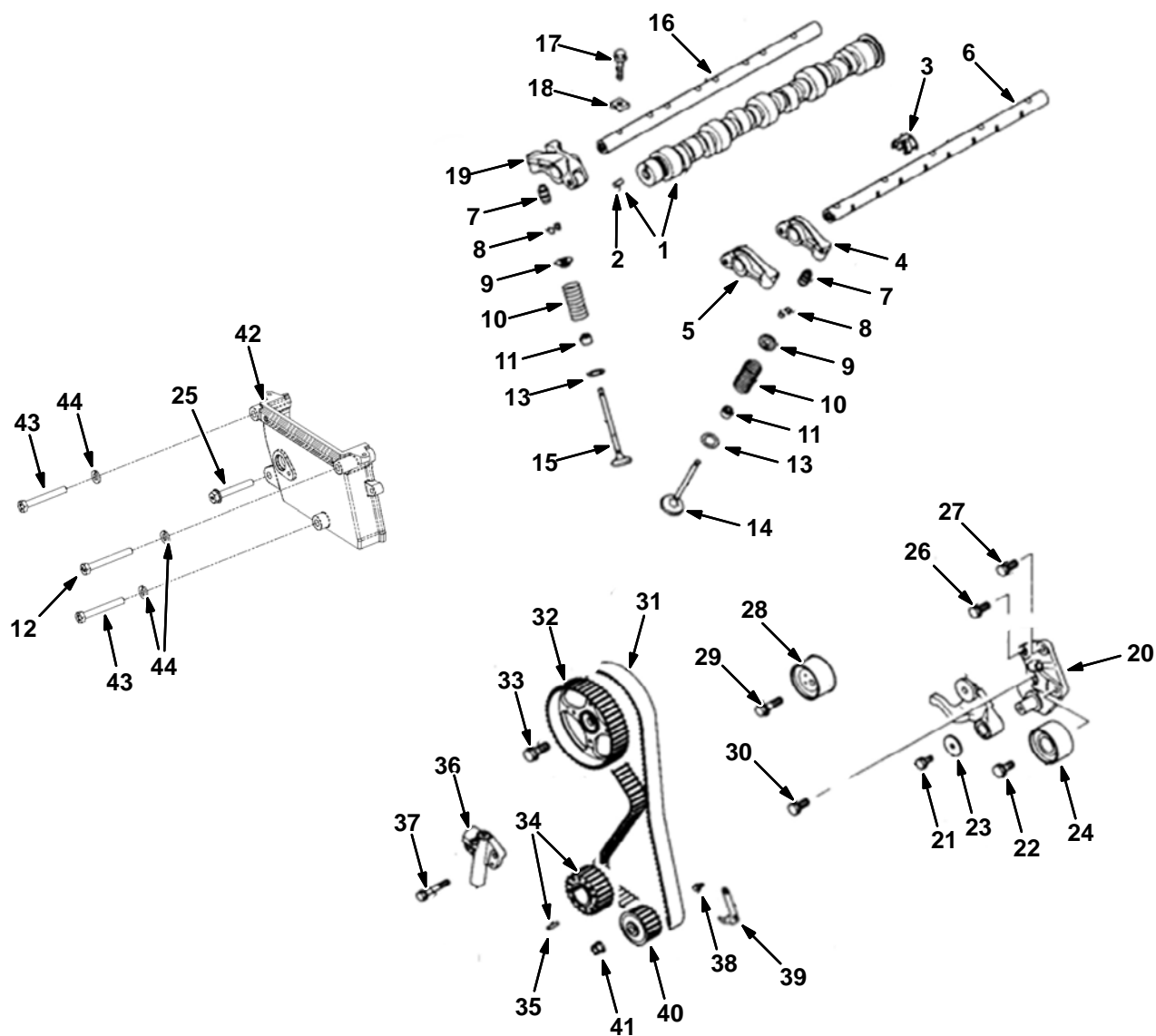
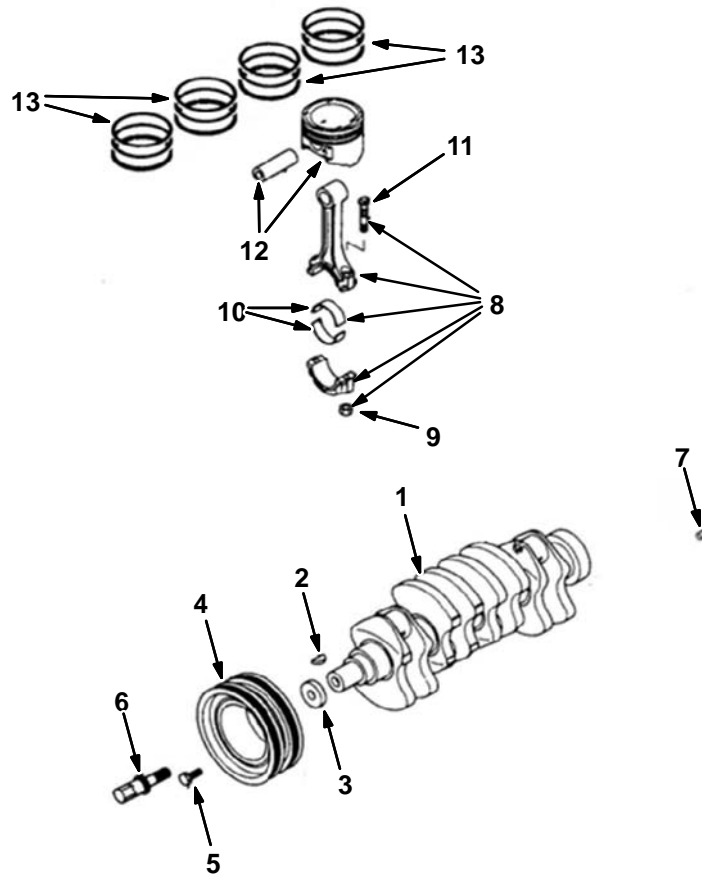


Fig. 5 – Camshaft and Valve Group

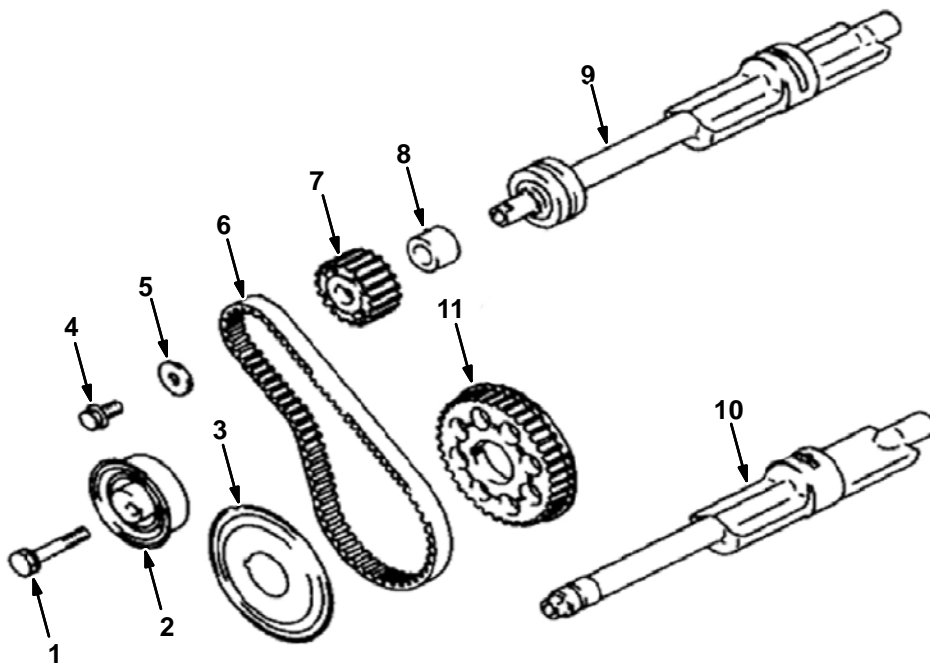
	Ref.	Part No.	Description	Qty.
▽	1	9010530	Camshaft Assy	1
▲	2	9010535	Pin, Dowel	1
	3	9010532	Shaft, Spring, Rocker	4
	4	9010533	Arm Assy, Rocker [B]	4
	5	9010534	Arm Assy, Rocker [A]	4
	6	9010531	Shaft, Arm , Rocker	1
	7	9010536	Adjuster Assy, Lash	16
	8	9010537	Valve, Spring, Lock	32
	9	9010538	Valve, Spring, Retainer	16
	10	9010539	Valve, Spring	16
	11	9010540	Valve, Seal, Stem	16
	12	9010253	Bolt, M8–1.25 X 70 Hxhd [Mit]	1
	13	9010541	Valve, Spring, Seat	16
	14	9010542	Valve, Inlet	8
	15	9010543	Valve, Exhaust	8
	16	9010544	Shaft, Arm, Rocker	1
	17	9010545	Bolt, Flange	13
	18	9010546	Shaft, Cap, Rocker	13
	19	9010547	Arm Assy, Rocker [C]	4
▽	20	9010548	Bracket, Pulley, Tensioner	1
▲	21	9010549	Bolt, Washer	1
▲	22	9010550	Bolt, Washer	1
▲	23	9010551	Washer	1
▲	24	9010552	Pulley, Idler	1
	25	9010254	Bolt, M8–1.25 X 55 Fi Hd [Mit]	1
	26	9010554	Bolt, Seal	1
	27	9010555	Bolt, Washer	1
	28	9010556	Pulley, Tensioner	1
	29	9010557	Bolt, Washer	1
	30	9010550	Bolt, Washer	1
	31	9010559	Belt, Timing	1
	32	9010560	Sprocket, Camshaft	1
	33	9010561	Bolt, Flange	1
▽	34	9010562	Sprocket Assy, Cshft	1
▲	35	9010563	Pin, Spring	1
	36	9010564	Tensioner	1
	37	9010565	Bolt, Flange	2
	38	9010491	Bolt, Flange	2
	39	9010567	Bracket, Indicator, Timing	1
	40	9010568	Sprocket, Pump, Oil	1
	41	9010569	Nut	1
	42	9010250	Cover, Timing, Gear [Mit 2.0/2.4l]	1
	43	9010251	Bolt, M8–1.25 X 65 Hxhd [Mit]	2
	44	9010252	Washer, Lock, M8 [Mit]	3

Fig. 6 – Piston and Crankshaft Group



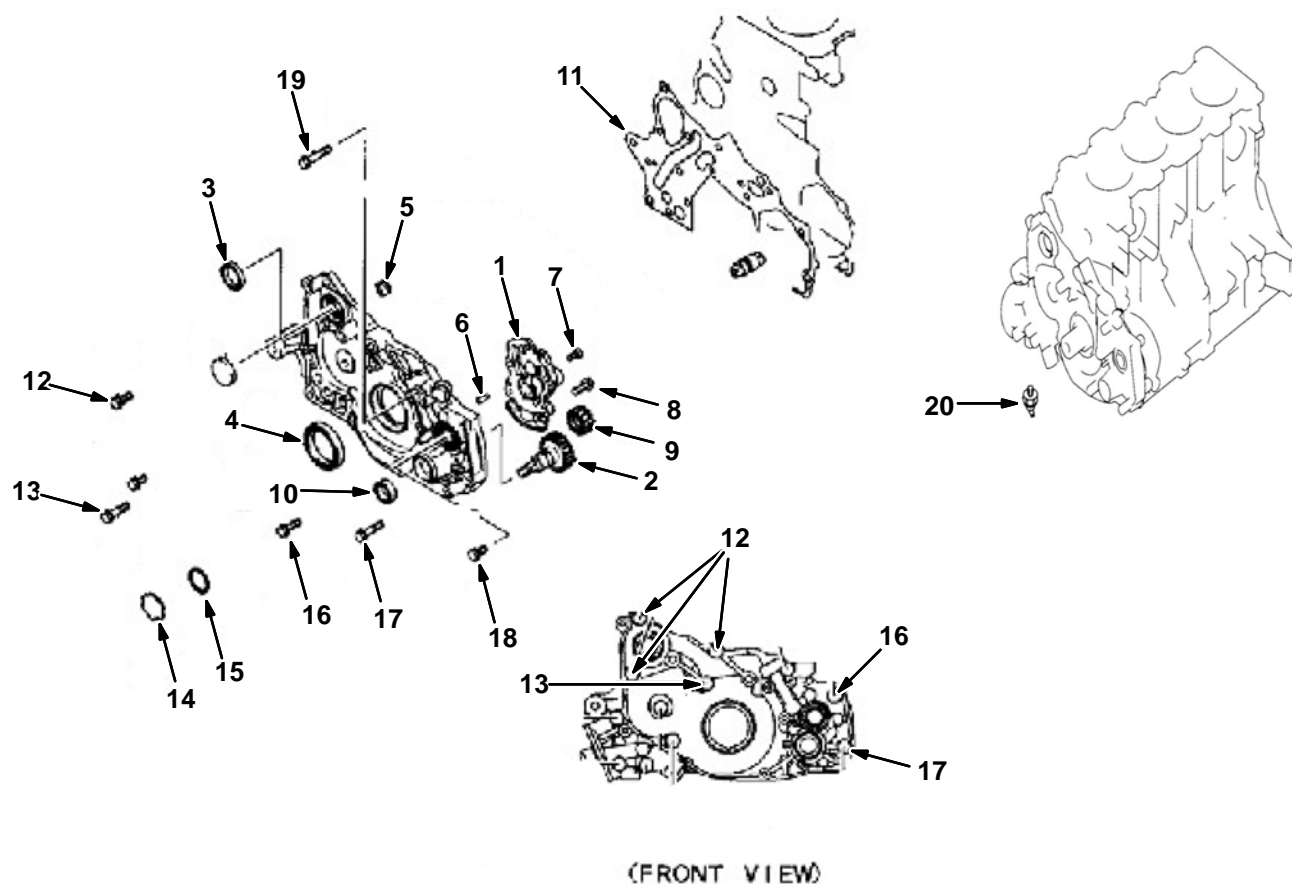
Ref.	Part No.	Description	Qty.	
1	9010513	Crankshaft Assy	1	
2	9010514	Key	1	
3	9010515	Washer, Special	1	
4	9010516	Pulley Assy, Damper, Torsional	1	
5	9010517	Bolt, Washer	4	
6	9010518	Bolt, Sprocket, Cshft	1	
7	9010519	Pin, Dowel	1	
▽	8	9010520	Rod Assy, Connecting	4
▲	9	9010521	Nut	8
▲	10	9010522	Bearing, Rod, Connect [Yellow Std]	4
▲	10	9010523	Bearing, Rod, Connect [No Color Std]	4
▲	10	9010524	Bearing, Rod, Connect [Lan Std]	4
▲	11	9010525	Bolt, Connecting	8
	12	9010526	Piston, Pin [Std A]	4
	12	9010527	Piston, Pin [Std B]	4
	12	9010528	Piston, Pin [Std C]	4
	13	9010529	Piston Set, Ring	1

Fig. 7 – Balancer Group



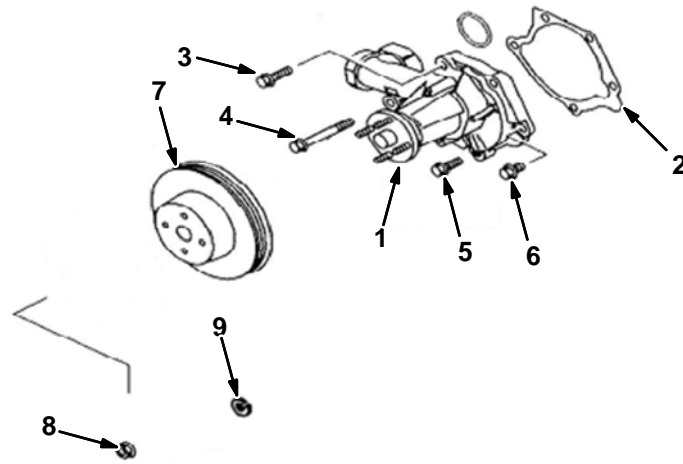
Ref.	Part No.	Description	Qty.
1	9010570	Bolt, Belt, Balancer, Train	1
2	9010571	Tensioner, Timing, Belt	1
3	9010572	Flange, Sprocket, Cshft	1
4	9010600	Bolt, Flange	1
5	9010574	Washer, Belt, Balancer, Train	1
6	9010575	Belt, Timing	1
7	9010576	Sprocket, Shaft, Balancer	1
8	9010577	Spacer, Belt, Balancer, Train	1
9	9010578	Shaft, Right, Balancer	1
10	9010579	Shaft, Left, Balancer	1
11	9010580	Sprocket, Cshft	1

Fig. 8 – Oil Pump and Pressure Switch Group



Ref.	Part No.	Description	Qty.	
▽	1	9010582	Pump, Oil	1
▲	2	9010592	Pump, Gear, Drive, Oil	1
▲	3	9010585	Seal, Oil	1
▲	4	9010586	Seal, Oil	1
▲	5	9010587	Plug, Tapper	1
▲	6	9010426	Pin, Dowel	2
▲	7	9010589	Screw	1
▲	8	9010590	Bolt, Flange	4
▲	9	9010591	Pump, Gear, Oil	1
▲	10	9010601	Seal, Oil	1
	11	9010593	Gasket, Case, Front	1
	12	9010594	Bolt, Washer	3
	13	9010595	Bolt, Washer	1
	14	9010596	Plug, Cap	1
	15	9010597	O-Ring	1
	16	9010598	Bolt, Flange	1
	17	9010599	Bolt, Flange	1
	18	9010600	Bolt, Flange	1
	19	9010583	Bolt, Flange	1
	20	9010259	Sender, Oil, Press [Mit] (3 Prong)	1

Fig. 9 – Water Pump Group



Ref.	Part No.	Description	Qty.
1	9010602	Pump, Water	1
2	9010603	Gasket, Pump, Water	1
3	9010604	Bolt, Flange	1
4	9010503	Bolt, Flange	1
5	9010606	Bolt, Flange	2
6	9010607	Bolt, Flange	1
7	9010612	Pulley, Pump, Water	1
8	9010609	Nut, Flange	4
9	9010610	Washer, Spring	4

Fig. 10 – Intake Manifold Gasket Group

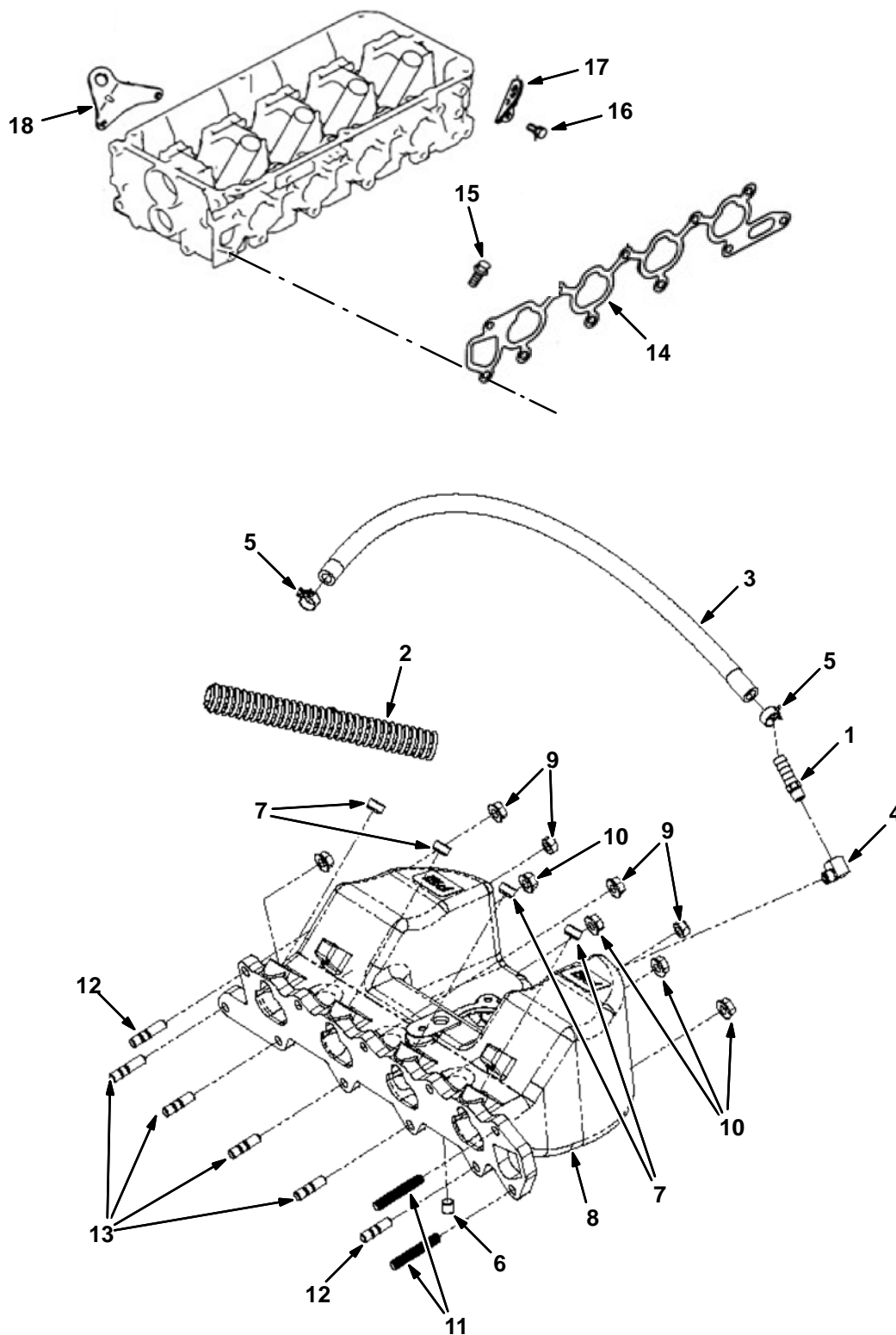
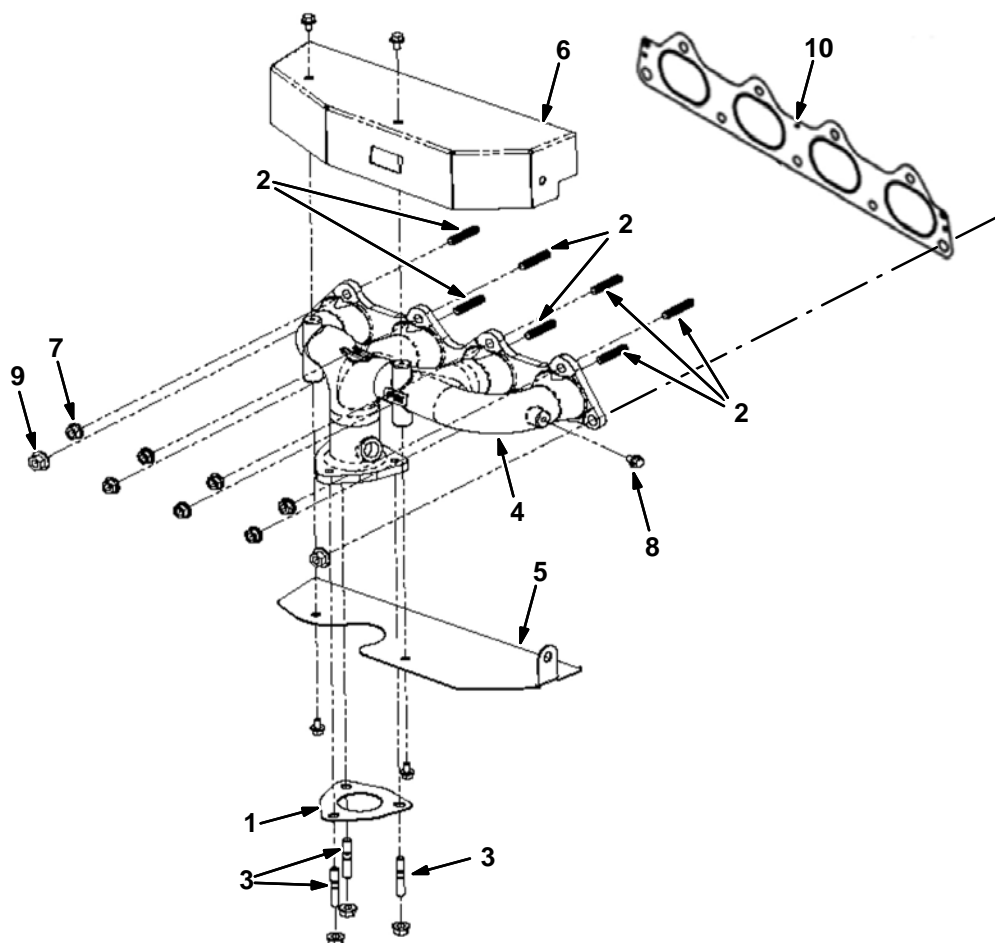


Fig. 10 – Intake Manifold Gasket Group

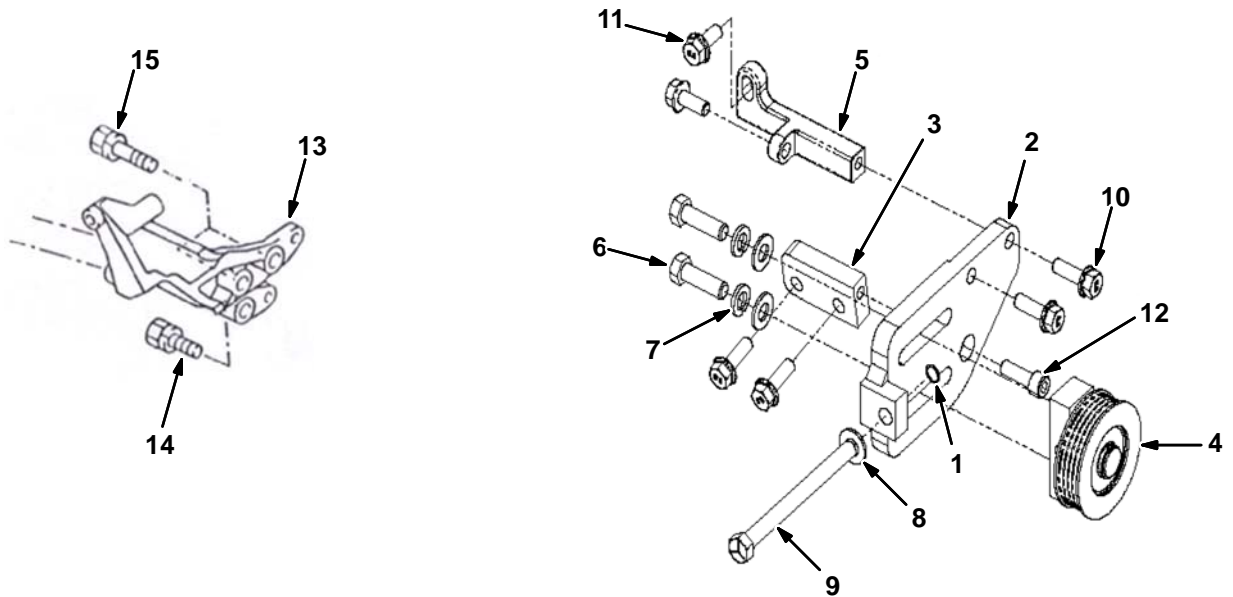
Ref.	Part No.	Description	Qty.
1	9010382	Fitting, 1/8 Mpt X 3/8 Hb [Mit]	1
2	9010281	Loom, Convoluted, Split 5/8 [Mit]	17"
3	385001	Hose, Fuel, .38d, Rbr[16"L]	20"
4	9010383	Elbow, 1/8m X 1/8f, 90 [Mit]	1
5	9010282	Clamp, 3/8id [Mit Olive Green]	2
6	9010283	Plug, 1/8 Npt, Brs, Skt Hd [Mit]	1
7	9010284	Plug, Injector [Mit]	4
8	9010285	Manifold, Intake [Mit 20/24m Tilt]	1
9	9010286	Nut, M8-1.25 [Mit]	2
10	385015	Nut, Flng, M8	7
11	9010287	Stud, M8-1.25 X 50 Full Thrd [Mit]	2
12	9010288	Stud, M8-1.25 X 35 [Mit Double End]	2
13	9010384	Stud, M8-1.25 X 30 [Mit Double End]	4
14	9010613	Gasket, Manifold, Intake	1
15	9010606	Bolt, Flange	2
16	9010615	Bolt, Manifold, Inlet	1
17	9010617	Hanger, Engine	1
18	9010618	Hanger, Engine	1

Fig. 11 – Exhaust Manifold Gasket Group



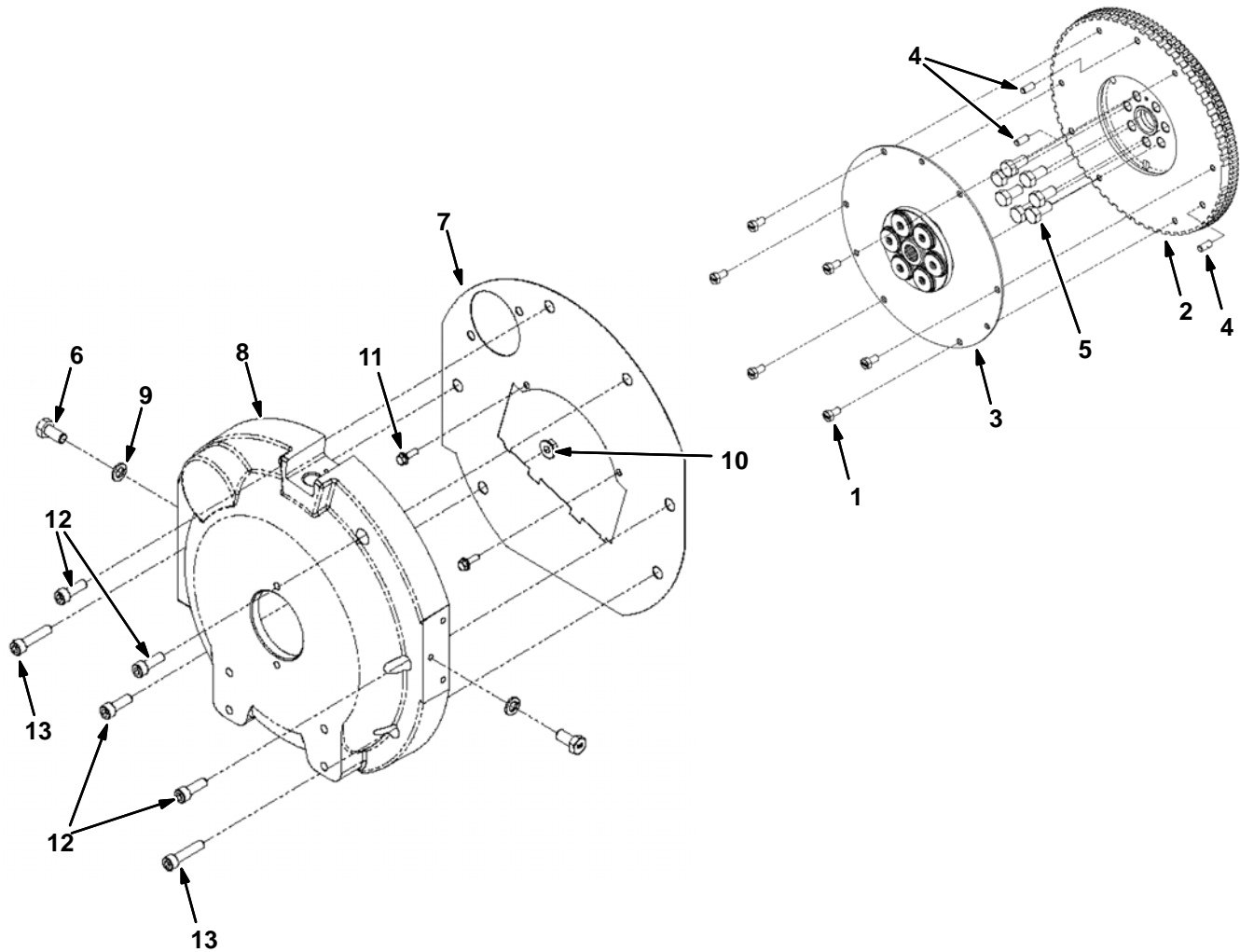
Ref.	Part No.	Description	Qty.
1	9010296	Gasket, Manifold, Exh [Mit]	1
2	9010297	Stud, M8-1.25 X 40 [Mit]	7
3	372020	Stud, Manifold, Intake, M8 X 28	3
4	9010298	Manifold, Exhaust [Mit 2.0/2.4]	1
5	9010302	Shield, Heat, Lower [Mit 20/24m]	1
6	9010303	Shield, Heat, Upper [Mit 20/24m]	1
7	385015	Nut, Flng, M8	10
8	9010262	Bolt, M6-1.0 X 10 Fl Hd [Mit]	5
9	9010239	Nut, M10-1.25 Flg [Mit]	2
10	9010619	Gasket, Manifold, Exhaust	1

Fig. 12 – Fan Tensioner and Pump Mount Group



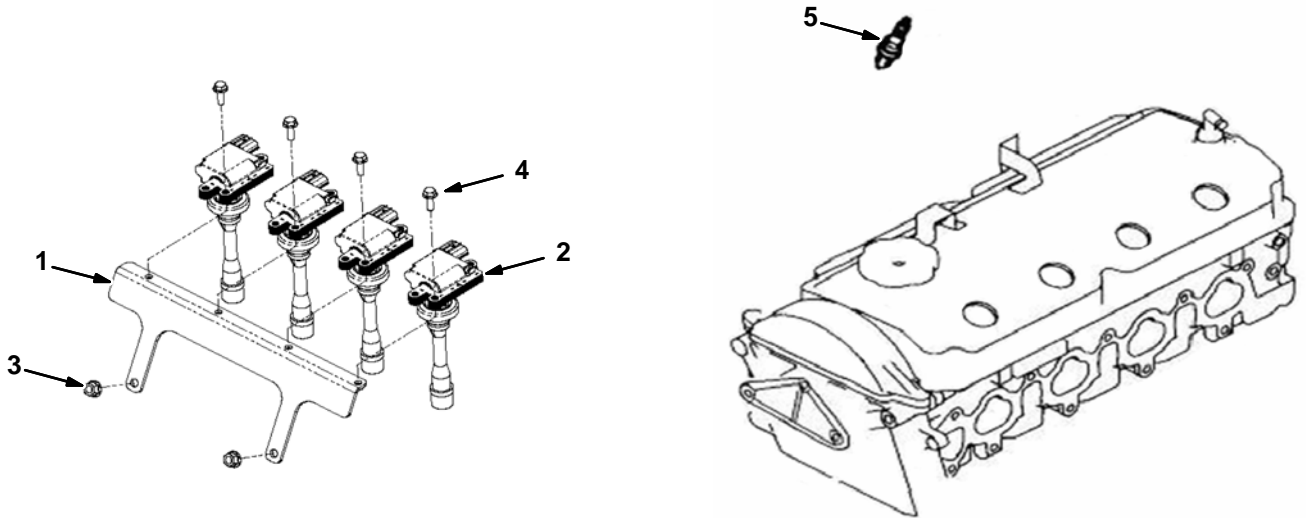
Ref.	Part No.	Description	Qty.
1	371562	Ring, Retaining	1
2	9010222	Plate, Tensioner, Adj [Mit 2.0/2.4]	1
3	9010223	Bar, Tensioner, Mtg [Mit 2.0/2.4]	1
4	9010224	Pulley, Tensioner, Assy[Mit2.0/2.4]	1
5	9010225	Bracket, Tensioner, [Mit 2.0/2.4]	1
6	9010226	Bolt, 3/8-16 X 1 1/4 Hxhd [Mit]	2
7	371509	Washer, Lock, 0.38	2
8	9010227	Washer, Flat 3/8, Sae	3
9	9010228	Bolt, 3/8-16 X 4.5 [Mit]	1
10	9010229	Bolt, M8-1.25 X 25 [Mit]	4
11	9010230	Bolt, M8-1.25 X 20 Fl Hd [Mit]	2
12	9010231	Bolt, M8-1.25 X 25 Soc Hd [Mit]	1
13	9010623	Bracket, Pump, Mtg	1
14	9010624	Bolt, Washer	1
15	9010625	Bolt, Washer	2

Fig. 13 – Flywheel Group



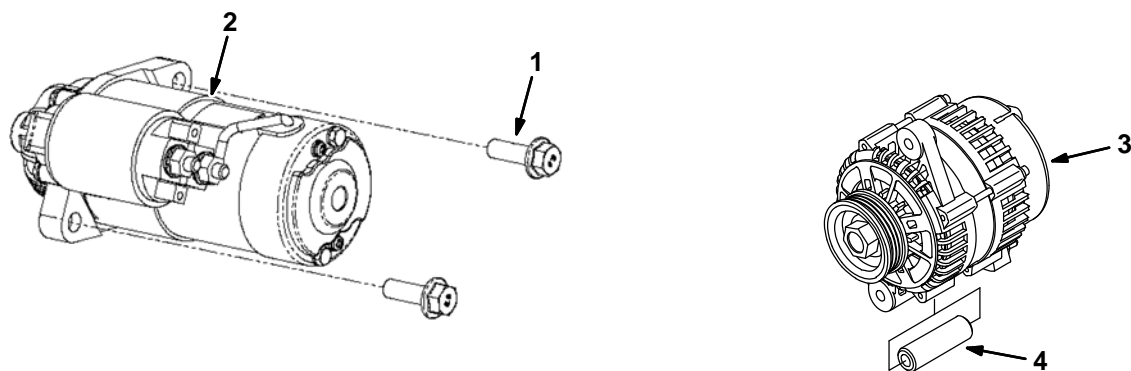
Ref.	Part No.	Description	Qty.
1	9010232	Bolt, M8-1.25 X 15, Hx Hd [Mit]	6
2	9010233	Flywheel, Flatface [Mit 20/24m]	1
3	9010234	Coupling, Flywheel [Mit20/24m]	1
4	9010235	Pin, Flywheel [Mit 20/20m]	3
5	9010236	Bolt, Flywheel [Mit 20/24m]	7
6	9010359	Bolt, M12-1.75 X 25, Hex Hd [Mit]	2
7	9010237	Cover, Dust [Mit 2.0l]	1
8	9010238	Housing, Flywheel [Mit 2.0l]	1
9	9010360	Washer, Lock, M12 [Mit]	2
10	9010239	Nut, M10-1.25 Flg [Mit]	1
11	9010240	Bolt, M6-1.0 X 20 FI Hd [Mit]	2
12	9010241	Bolt, M10-1.25 X 30 Soc Hd [Mit]	4
13	9010242	Bolt, M10-1.25 X 45 Soc Hd [Mit]	2

Fig. 14 – Ignition Coil and Spark Plug Group



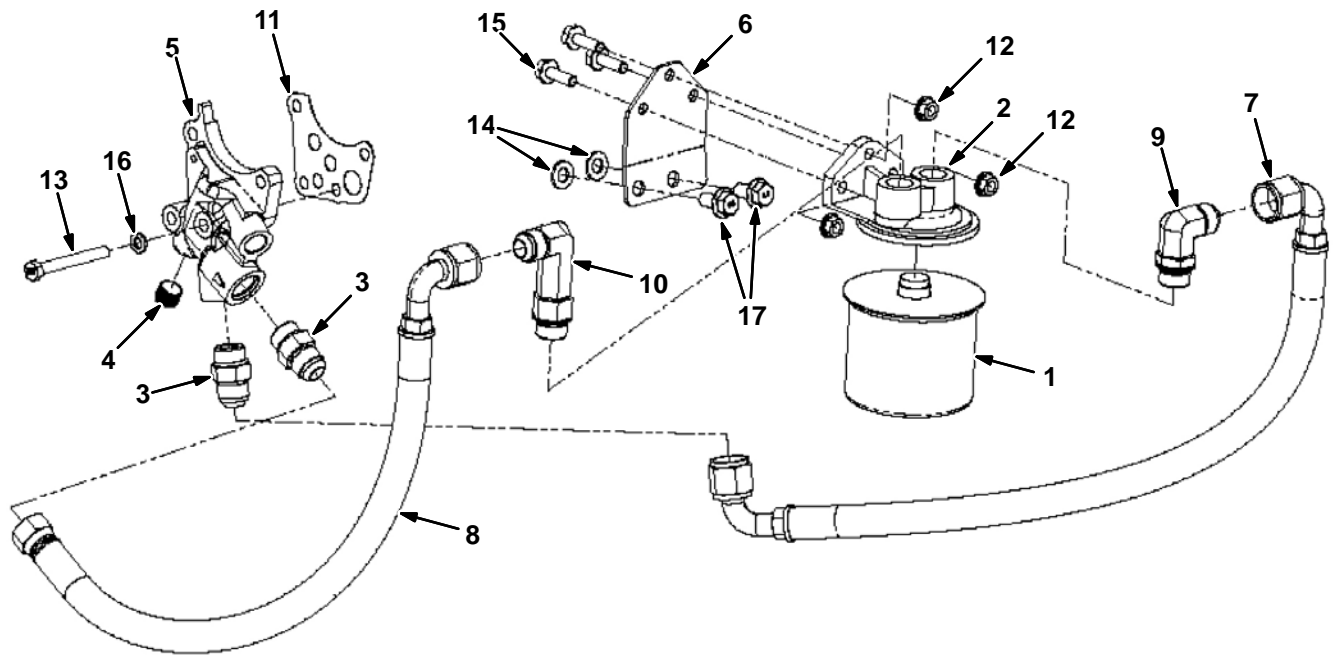
Ref.	Part No.	Description	Qty.
1	9010243	Bracket, Coil [Mit 2.0/2.4l]	1
2	9010244	Coil, Ignition [Mit 2.0/2.4l]	4
3	385015	Nut, Flng, M8	2
4	9010240	Bolt, M6-1.0 X 20 Fl Hd [Mit]	4
5	9010622	Plug, Spark	4

Fig. 15 – Starter / Alternator Group



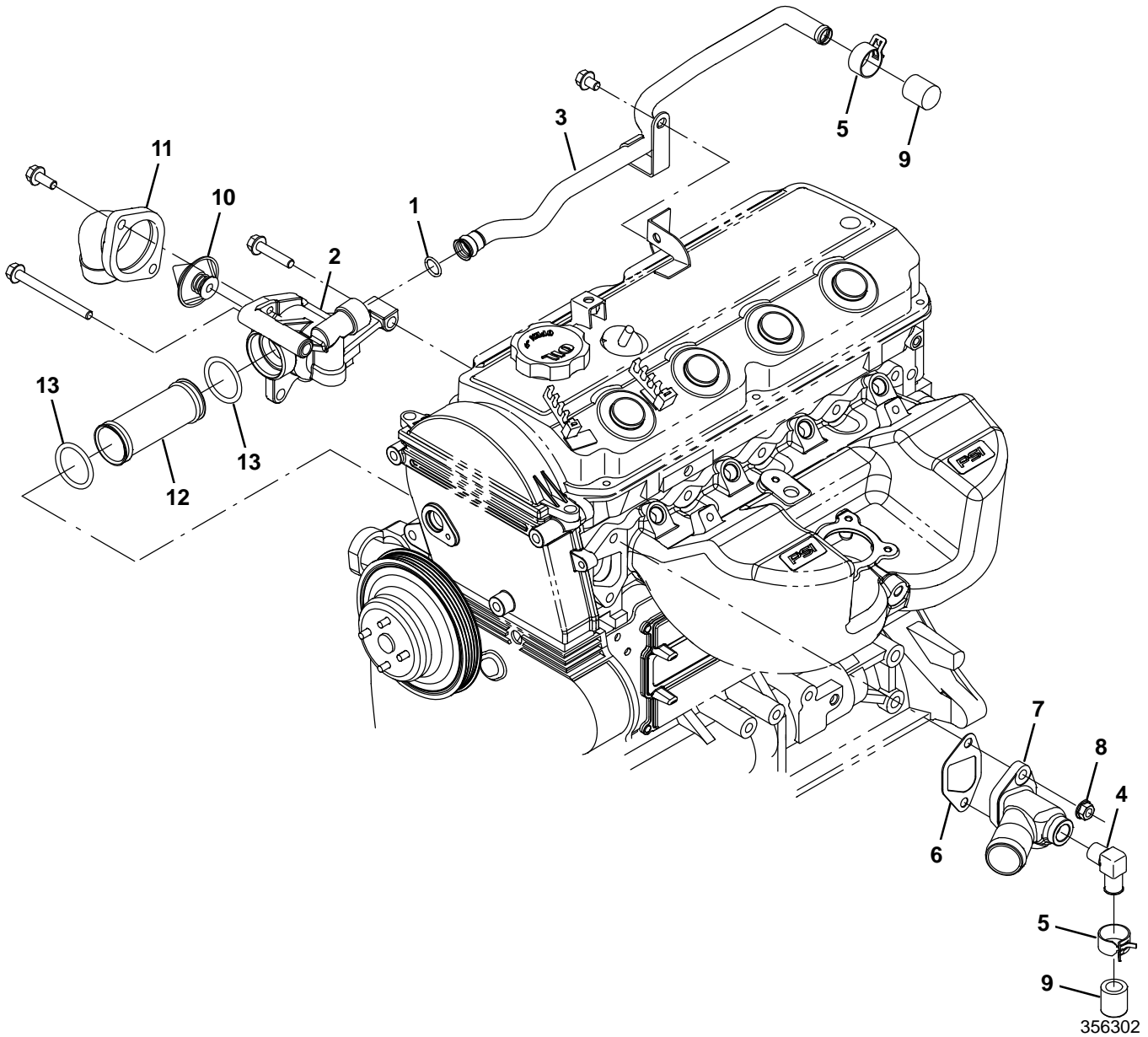
Ref.	Part No.	Description	Qty.
1	9010245	Bolt, M10-1.50 X 30 [Mit]	2
2	9010246	Starter, Motor [Mit 2.0/2.4]	1
3	9010217	Alternator, 7si [Mit Df Sur-Belt]	1
4	9010219	Spacer, Alternator [Mit 2.0/2.4]	1

Fig. 16 – Remote Oil Filter Group



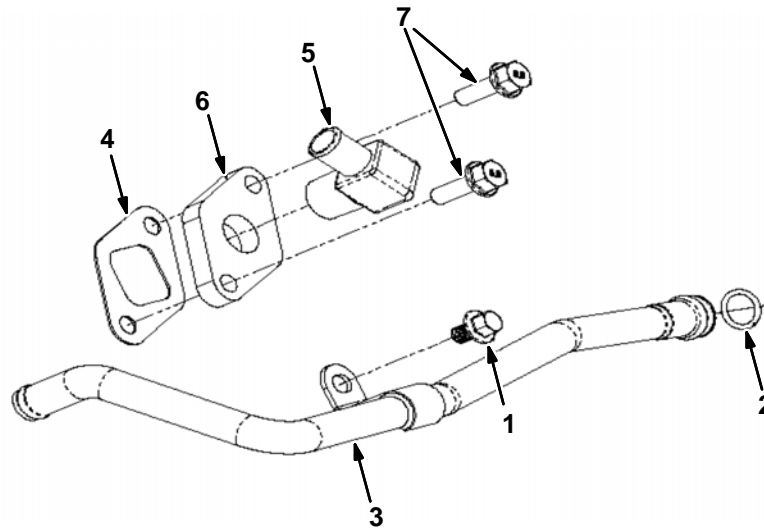
Ref.	Part No.	Description	Qty.
1	9010627	Filter, Oil (Mits)	1
2	371503	Mount, Fltr, Remote	1
3	9010371	Fitting, Str, 10–10 Orb, 37fi [Mit]	4
4	9010372	Plug, 3/8npt X 5/16, Brs [Mit]	1
5	9010373	Adapter, Filter, Oil, Remote [Mit]	1
6	9010374	Bracket, Filter, Oil, Remote [Mit]	1
7	9010375	Hose, 90x90,Filter, Oil, Remote[Mit]	1
8	9010376	Hose, 90xstr,Fltr, Oil, Remote[Mit]	1
9	9010628	Elbow	1
10	9010629	Elbow	1
11	9010377	Gasket, Oil, Adapter [Mit 2.0/2.4]	1
12	385015	Nut, Flng, M8	3
13	9010253	Bolt, M8–1.25 X 70 Hxhd [Mit]	1
14	9010630	Washer	2
15	9010229	Bolt, M8–1.25 X 25 [Mit]	3
16	9010380	Washer, Lock, M8 [Mit]	1
17	9010631	Bolt	2

Fig. 17 – Coolant Group



Ref.	Part No.	Description	Qty.
1	9010289	O-Ring [Mit 208 Buna-N]	1
2	9010290	Housing, T-Stat, 2 Holes [Mit]	1
3	9010291	Tube, Water, Line [Mit]	1
4	385011	Fitting, E90	1
5	384979	Clamp, Hose, Spring, 0.62d	2
6	9010632	Gasket, Outlet	1
7	9010294	Outlet, Water, W/Plug [Mit 2.0/2.4l]	1
8	385015	Nut, Flng, M8	2
9	9010295	Cap, Rubber, 5/8id [Mit 2.0/2.4l]	2
10	9010905	Thermostat Kit, Coolant, Replmt [Mitsub]	1
11	9010215	Housing, Thermostat	1
12	9010910	Tube, Pump, Water	1
13	9013530	Seal, Tube, Water [Mit 2.0l]	2

Fig. 18 – DSR Coolant Group, LPG Engine



Ref.	Part No.	Description	Qty.
1	9010305	Bolt, M8-1.25 X 12 [Mit]	1
2	9010289	O-Ring [Mit 208 Buna-N]	1
3	9010306	Tube, Cooling, Line [Mit]	1
4	9010307	Gasket, Water Supply [Mit 2.0/2.4]	1
5	9010308	Fitting, 1/2 Mpt X 5/8bh 90deg [Mit]	1
6	9010309	Plate, Water, Outlet [Mit Bypass]	1
7	9010310	Bolt, M8-1.25 X 25 Flg Hd [Mit]	2

Fig. 19 – Electrical Group

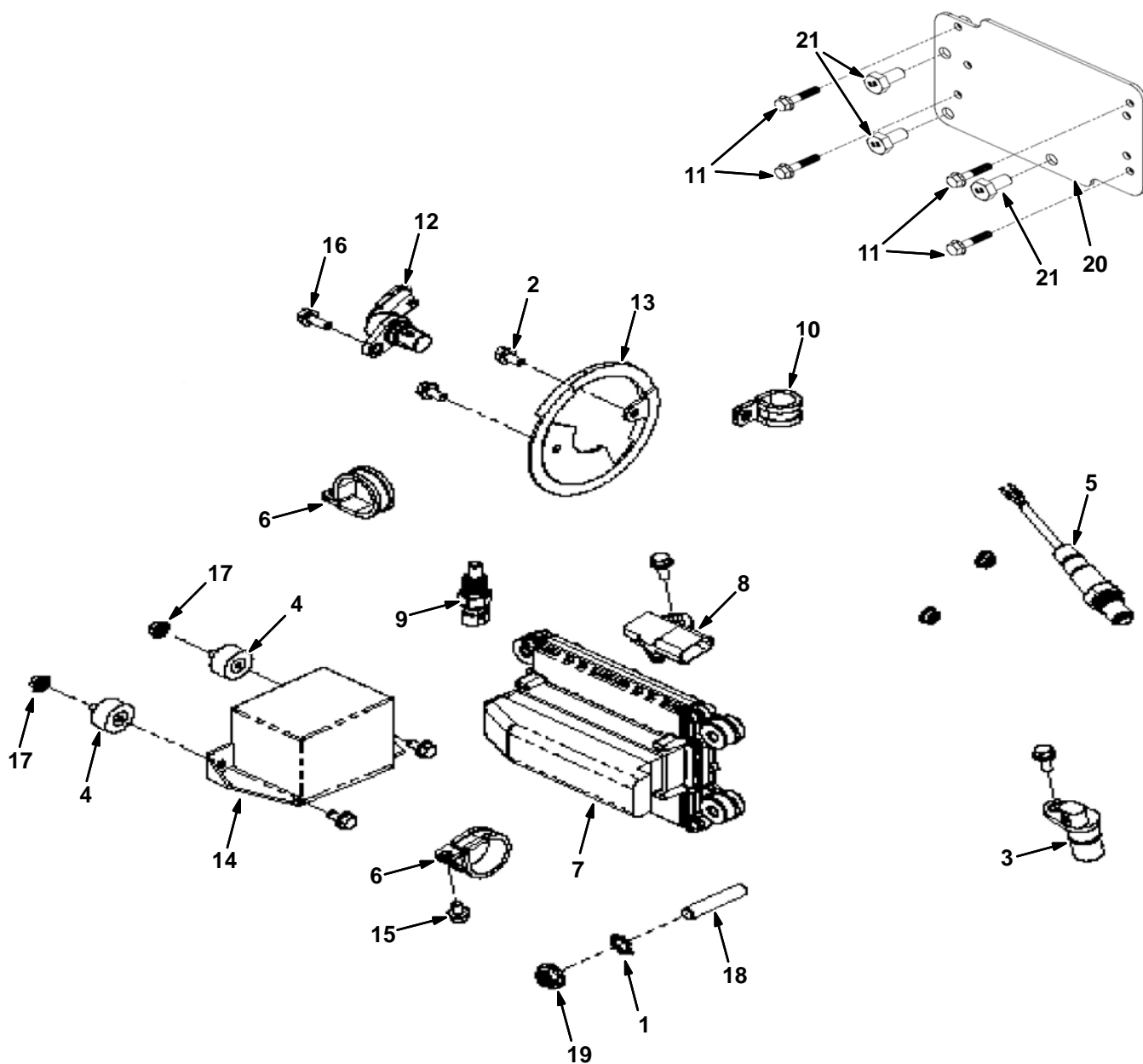
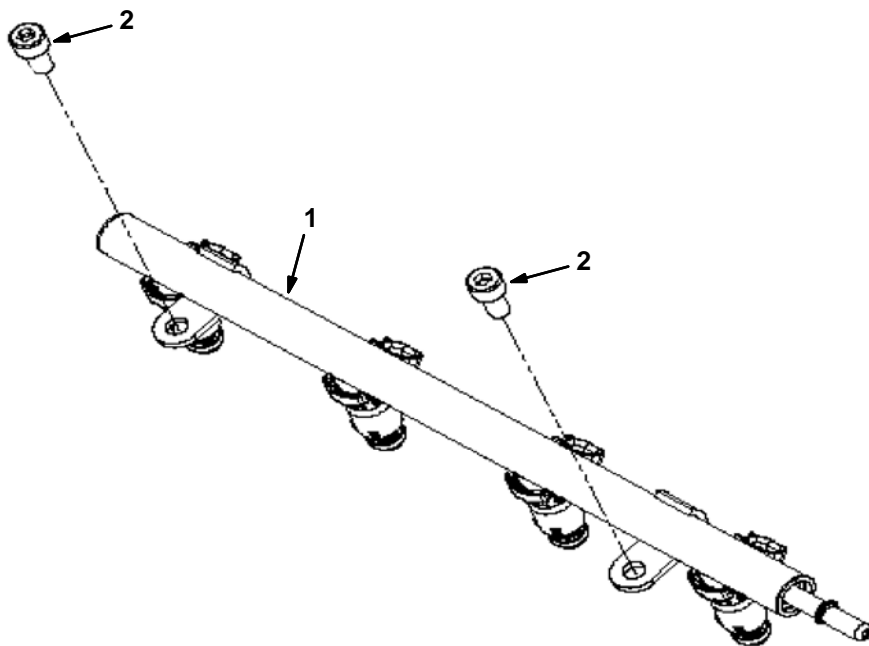


Fig. 19 – Electrical Group

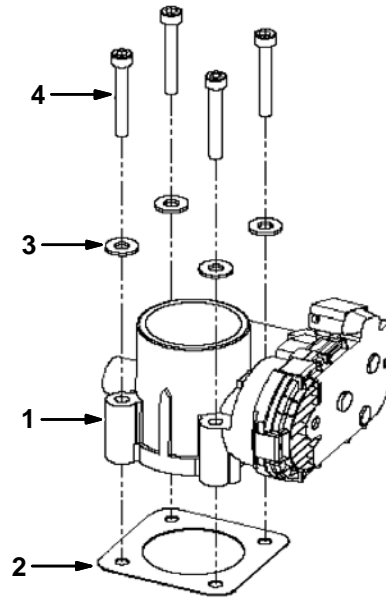
Ref.	Part No.	Description	Qty.
1	9010255	Washer, Star, M10 [Mit]	1
2	9010256	Bolt, M6–1.0 X 12 FI Hd PI [Mit]	2
3	372492	Sensor, Spd, Timing Wheel [3.0l]	1
4	9008805	Isolator	2
5	1028558	Sensor, Exhaust, Tailpipe	1
6	9010257	Clamp, 1/4 Hole [Mit #20]	2
7	1071397	Module, Ecu, Gas [Mit 2.0l 2013]	1
7	1071398	Module, Ecu, Lpg [Mit 2.0l 2013]	1
8	372493	Sensor [Tmap]	1
9	372891	Sensor, Temp, Coolant	1
10	9010258	Clamp, 0.75d [Mit]	1
11	9010249	Bolt, M6–1.0 X 30 FI Hd [Mit]	4
12	9010260	Sensor, Camshaft [Mit]	1
13	9010261	Cam, Sensor, Wheel [Mit 2.0/2.4l]	1
14	1071653	Harness, Wire, Eng, Gas [Mit, 2.0l]	1
14	1071654	Harness, Wire, Eng, Lpg [Mit, 2.0l]	1
15	9010262	Bolt, M6–1.0 X 10 FI Hd [Mit]	3
16	9010263	Bolt, M6–1.0 X 16 FI Hd [Mit]	3
17	9010264	Nut, M6–1.0 Flange [Mit]	4
18	9010366	Stud, M10–1.25 X 50, Full Thrd [Mit]	1
19	9010367	Nut, M10–1.25, Hx Flg [Mit]	1
20	9010247	Plate, Mtg, Ecu [Mit 2.0/2.4l]	1
21	9010248	Bolt, M10–1.25 X 20 Hxhd [Mit]	3

Fig. 20 – Fuel Rail Group, Gasoline Engine



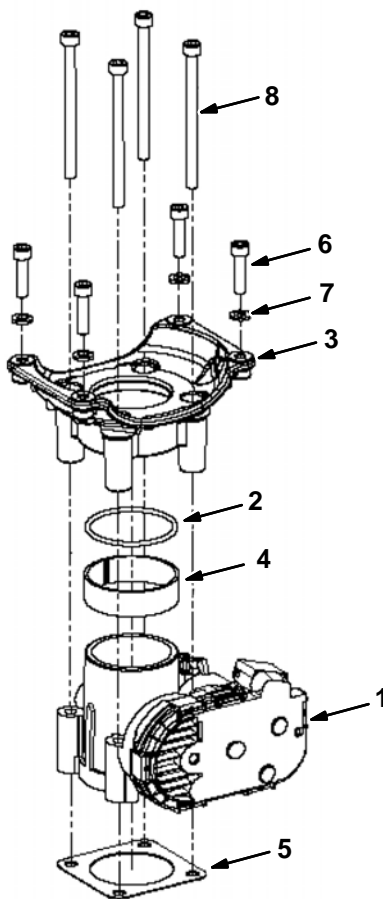
Ref.	Part No.	Description	Qty.
1	9010306	Tube, Cooling, Line [Mit]	1
2	9010327	Bolt, M8-1.25 X 16, Soc Hd [Mit]	2

Fig. 21 – Throttle Body Group, Gasoline Engine



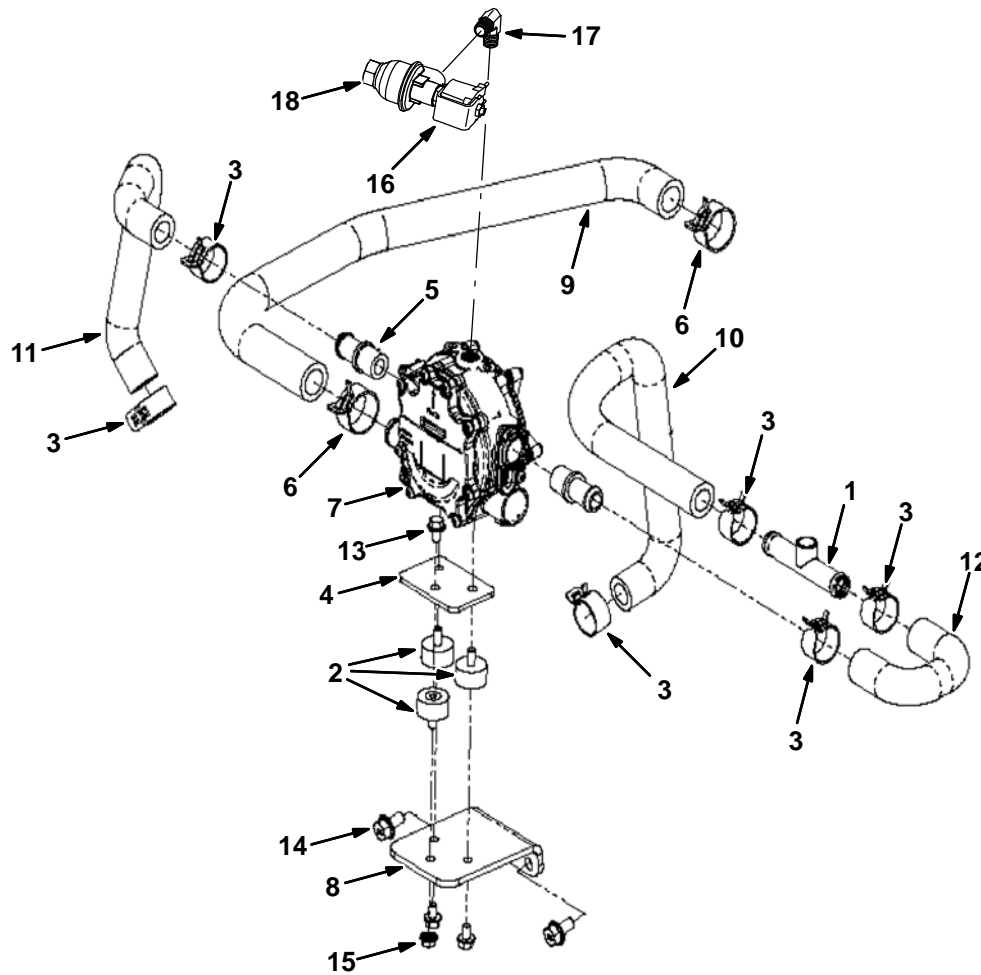
Ref.	Part No.	Description	Qty.
1	9010266	Actuator [Mit , Bosch]	1
2	9010268	Gasket, Throttle [Mit 40mm]	1
3	9010330	Washer, 1/4 Flat [Mit]	4
4	9010331	Bolt, M6-1.0 X 45, Skt Hd [Mit]	4

Fig. 22 – Throttle Body Group, LPG Engine



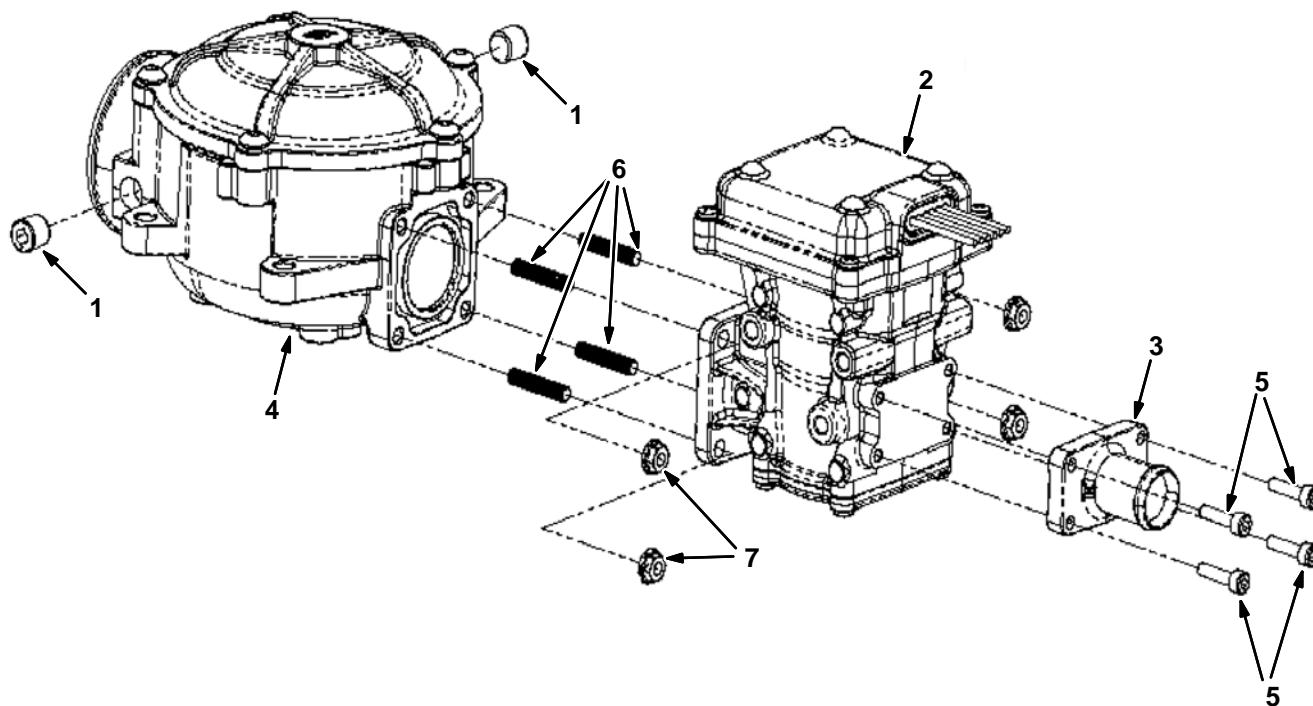
Ref.	Part No.	Description	Qty.
1	9010266	Actuator [Mit , Bosch]	1
2	1037311	Seal, Org, Lpg, Mixer	1
3	9006619	Adapter	1
4	9010267	Spacer, Ring, Throttle [Mit 40mm]	1
5	9010268	Gasket, Throttle [Mit 40mm]	1
6	9010269	Bolt, M6-1.0 X 25 Soc Hd [Mit]	4
7	9010270	Washer, Lock, M6 [Mit]	4
8	9010271	Bolt, M6-1.0 X 85 Soc Hd [Mit]	4

Fig. 23 – Vaporizer Group, LPG Engine



Ref.	Part No.	Description	Qty.	
	1	9010272	Hose Assy, Upper, Tap [Mit]	1
	2	9008805	Isolator	3
	3	384979	Clamp, Hose, Spring, 0.62d	6
	4	9008804	Plate, Mtg [Epr]	1
	5	9010273	Fitting, 1/2 X 5/8 Hose, Plastic [Mit]	2
	6	9010274	Clamp, Tension [Mit #29]	2
▽	7	9008193	Regulator	1
▲		9010626	Repair Kit, Vaporizer	1
	8	9010275	Bracket, Vaporizer [Mit 20/24m Tilt]	1
	9	9010276	Hose, Fuel, Molded [Mit 20/24m]	1
	10	9010277	Hose, Coolant, Molded [Mit 20/24m]	1
	11	9010278	Hose, Coolant, Molded [Mit 20/24m]	1
	12	9010279	Hose, Coolant, Molded [Mit 20/24m]	1
	13	9010262	Bolt, M6-1.0 X 10 FI Hd [Mit]	3
	14	9010280	Bolt, M8-1.25 X 16 FI Hd [Mit]	2
	15	9010264	Nut, M6-1.0 Flange [Mit]	1
	16	9006620	Lock-Off, 12v, Lpg [Mit]	1
	17	9010317	Fitting, 1/4mpt X 1/4mpt, 90deg [Mit]	1
	18	9007380	Filter Kit, Fuelock, Lpg	1

Fig. 24 – Electronic Pressure Regulator (EPR) Group, LPG Engine



Ref.	Part No.	Description	Qty.
1	9010314	Plug, 1/8npt, Brs [Mit]	2
2	9008806	Regulator, Press, Electronic [Epr]	1
3	9008807	Fitting, Barb, 3/4" [Epr]	1
▽ 4	9006618	Mixer , Lpg	1
▲	9010634	Repair Kit, Mixer	1
5	9008808	Screw, Soc, M4 X 0.70 X 16	4
6	9007424	Stud, M05-0.8	4
7	9007423	Nut, Flng, M05-0.8	4

SECTION 7

CONTENTS	PAGE
PART NUMBER TO PAGE NUMBER CROSS REFERENCE LIST	7-2
PART DESCRIPTION TO PAGE NUMBER CROSS REFERENCE LIST	7-17

CROSS REFERENCE

PART NUMBER TO PAGE NUMBER CROSS REFERENCE LIST

Part Number	Page Number	Part Number	Page Number	Part Number	Page Number
IB3614	4-10	06943	2-25, 2-43, 2-47, 2-57, 2-79	08712	2-15, 2-53, 2-109, 2-111, 2-113, 2-115, 2-119, 2-121, 2-139, 2-141, 2-143, 3-3, 3-69, 3-79, 3-81
00500-15	4-8, 4-9, 4-11	06944	2-17	08713	2-53, 2-55, 2-57, 2-63, 2-79, 2-101, 2-103, 2-105, 2-107, 2-111, 2-115, 2-117, 2-119, 2-121, 2-123, 2-125, 2-129, 2-133, 2-137, 2-145, 2-149, 3-7, 3-13, 3-15
00927	2-103, 2-105	06946	2-29, 2-31, 2-37	08714	2-9, 2-123
00954	2-147	06949	2-87	08716	2-53, 2-55, 2-79, 2-109, 2-113, 2-119, 2-127, 2-131, 2-139, 2-141, 2-143, 3-3
00960	2-51, 2-77	06955	2-97, 2-137, 2-145	08875	2-133, 2-134
00966	4-10	06956	2-85, 2-87	09005	2-103, 2-105
01316	3-3, 3-83, 3-85	06960	2-19	09007	2-119, 2-127, 2-131, 2-143
01493	2-11	06961	2-51, 2-55	09010	2-63, 2-101, 2-103, 2-105, 2-113, 2-119, 2-121, 2-133, 2-137, 2-141, 2-145, 2-149, 3-7, 3-11, 3-15
01681	2-19	06962	2-61, 2-81, 3-71, 3-89	09011	2-115, 2-119, 2-149
01683	2-27, 2-33, 2-101, 3-3, 3-19, 3-25, 3-29, 3-33, 3-37, 3-41, 3-51, 3-55, 3-69, 3-83, 3-85	06965	3-89	09023	2-149
01684	2-5, 2-7, 2-109, 2-111, 2-113, 2-119, 2-121, 2-134, 2-139, 2-141, 2-143, 3-3, 3-33, 3-45, 3-69, 3-79, 3-81, 3-87	06968	2-65, 2-67	09028	2-107, 2-127, 2-131, 3-71
01685	2-53, 2-55, 2-57, 2-63, 2-79, 2-109, 2-111, 2-115, 2-117, 2-119, 2-123, 2-127, 2-131, 2-149, 3-3, 3-7, 3-11	06969	2-95, 2-107, 2-113	09029	2-119
01686	2-9, 2-119, 2-121, 3-13, 3-89	06971	2-9	09037	2-37
01714	2-97, 2-99	06972	2-25, 2-65, 2-67, 2-113	09081	2-125, 2-129
01760	2-17	06988	2-21	09145	2-51
01762	2-103, 2-105, 3-7, 3-9	07255	2-27, 2-29, 2-31	09198	2-5, 2-101
02430	4-24	07259	2-107, 2-111, 2-113, 2-123	09200	2-17, 2-23, 2-89, 2-139, 3-19, 3-25, 3-29, 3-33, 3-37, 3-41, 3-55, 3-87
02706	4-7	07299	2-65, 2-67	09206	3-21, 3-45
02850	2-17, 2-23, 2-58, 3-21, 3-91	07449	2-123	09228	3-79, 3-81
02931	2-123	07514	3-19	09252	2-17, 2-101, 3-45, 3-69
02938	4-27	07782	2-21	09738	3-13
03192	3-67, 3-71	07786	2-113, 2-127, 2-131	09739	2-103, 2-105, 2-139, 3-13, 3-19, 3-25, 3-29, 3-37, 3-41, 3-51, 3-55, 3-59, 3-61, 3-63, 3-64, 3-65, 3-87
03495	2-117	07788	2-127, 2-131, 2-149		
03922	2-147	07790	2-61, 2-77, 2-81		
04375	2-77	07791	2-39, 2-41, 2-169		
04403	2-5	07797	2-173		
04414	2-11, 2-25, 2-65, 2-67, 2-117	07805	3-45		
04706	2-19	08085	2-17		
04733-10	2-115	08165	2-61, 2-79		
04733-12	2-107, 2-113	08166	2-53, 2-55, 2-79		
06279	2-115	08170	2-97		
06532	2-27, 2-29, 2-31, 2-37	08171	2-95		
06548	2-97	08175	2-103, 2-105, 2-113		
06549	2-17, 2-27, 2-33, 2-91, 3-45, 3-69, 3-79, 3-83	08178	2-115		
06927	2-23, 2-57	08179	2-97, 2-113, 2-115, 3-7, 3-11		
06928	2-9	08180	2-93		
06929	2-17	08182	2-99, 2-127, 2-131		
06938	2-27, 2-33	08236	2-107		
06939	3-79, 3-83	08708	2-11, 2-17, 2-19, 2-21, 2-27, 2-33, 2-43, 2-45, 2-47, 2-49, 2-57, 2-61, 2-73, 2-75, 2-81, 2-91, 2-97, 3-91		
06942	2-11, 2-21, 2-27, 2-29, 2-31, 2-33, 2-37, 2-39, 2-57, 2-91, 2-97	08709	2-9, 2-11, 2-23, 2-43, 2-45, 2-47, 2-49, 2-51, 2-57, 2-63, 2-73, 2-75, 2-77, 2-81, 2-83, 2-85, 2-87, 2-89, 2-91, 2-97, 2-101, 2-127, 2-131, 3-15, 3-91		
		08711	2-25, 2-65, 2-67, 2-95		

CROSS REFERENCE

Part Number	Page Number	Part Number	Page Number	Part Number	Page Number
09740	2-9, 2-11, 2-17, 2-23, 2-57, 2-63, 2-89, 2-103, 2-105, 2-107, 2-109, 2-113, 2-119, 2-127, 2-131, 2-133, 2-134, 2-137, 2-143, 2-145, 2-147, 2-149, 2-173, 3-3, 3-5, 3-21, 3-33, 3-45, 3-59, 3-61, 3-63, 3-79, 3-83, 3-85	1011899	2-43, 2-45, 2-47, 2-49	1018098	3-19, 3-33
09741	2-107, 2-113, 2-115, 2-119	1012160	2-85	1018142	2-53
09744	2-134, 3-45, 3-87	1012248	2-87	1018155	4-27
09767	2-115	1013031	2-53, 2-55, 2-79	1018208	2-9
09832	2-57, 2-61, 2-81	1013086	2-85, 2-87	1018333	3-25
1002789	3-23, 3-25, 3-27, 3-29	1013117	2-55, 2-79	1018463	2-57
1002898	3-21, 3-33	10137	1-1, 2-91	1018499	3-19, 3-79, 3-83
1002899	3-21, 3-33	1013902	3-21	1018776	2-17
1005086	3-23, 3-25, 3-27, 3-29	1014082	3-21	1018780	3-21
1005219	3-47	1014563	2-51, 2-57, 2-61, 2-81, 2-147, 3-67	1018883	3-19
1005255	3-21	1014575	3-21	1018884	3-19
1005302	3-19, 3-33, 3-47	1014705	2-107	1018938	3-15, 4-13
1005435	3-21, 3-33, 4-27	1014747	2-63	1018939	2-27, 2-33
1005506	3-19	1014843	2-83	1019031	2-127
1005507	3-19	1014929	3-33	1019146	2-107
1005508	3-19	1014971	4-27	1019225	2-9
1005552	3-19, 3-23, 3-25, 3-27, 3-29, 3-33, 3-47	1014974	3-5, 3-51, 3-55, 4-27	1019228	2-17
1006400	3-33	1014986	3-33	1019250	3-83, 3-85
1006401	3-19	1014986	3-33	1019265	2-57, 2-63
1006410	2-141	1015033	3-5	1019273	2-57
1006415	3-21, 3-47	1015041	2-57, 2-63	1019295	1-1
1006416	3-33	1015044	3-3	1019394	2-85
1006447	3-19	1015045	2-139, 2-141, 3-13, 3-35, 3-39, 3-49, 3-53	1019416	2-85
1007482	2-57, 2-63, 2-83	1015047	3-33	1019424	2-137, 2-145
1008640	2-51	1015067	3-25, 3-29, 3-37, 3-41, 3-55	1019445	3-59, 3-61, 3-63
1008916	2-21	1015205	2-81	1019526	2-121
1010614	3-51, 3-55	1015547	2-27, 2-29, 2-31, 2-41	1019636	3-5
1010668	3-25, 3-29, 3-33, 3-37, 3-41, 3-51, 3-55, 3-81, 3-85	1015815	2-71	1019646	3-31
1010684	3-19	1015897	2-31	1019647	3-64, 3-65
1010836	3-19	1015930	2-27, 2-29, 2-34, 2-39	1019939	2-85
1011018	2-223	1016354	4-27	1019940	2-85
1011019	2-223	1016560	2-31, 2-41	1019968	2-57, 2-61, 2-81
1011020	2-223	1016624	2-53	1019971	3-59, 3-61, 3-63
1011107	2-85	1016837	3-3	1020002	2-107
1011216	2-53, 2-55, 2-79	1017101	2-134	1020003	2-107
1011353	2-25	1017112	2-5	1020163	2-109
1011403	3-47	1017141	2-226	1020166	1-1, 2-109
1011412	3-19, 3-25, 3-29, 3-35, 3-37, 3-39, 3-41, 3-51, 3-53, 3-55	1017218	2-11, 2-17, 2-23, 2-77, 2-119, 2-121, 2-133, 2-134, 2-137, 2-143, 2-145, 2-147, 2-149, 2-173, 3-5, 3-21, 3-33, 3-45, 3-59, 3-61, 3-63, 3-83, 3-85	1020168	2-11, 3-45
1011521	3-23, 3-27, 3-47	1017248	3-61, 3-64	1020186	2-23
1011780	2-43, 2-45, 2-47, 2-49	1017250	3-63, 3-65	1020207	2-109
1011799	2-57	1017368	2-5, 2-7	1020208	2-109
1011837	3-49, 3-79, 3-81, 3-83, 3-85	1017386	3-47	1020234	3-91
1011885	3-5	1017413	3-47	1020320	2-147
1011895	2-85, 2-87	1017415	3-47	1020394	2-173, 4-15
		1017868	1-1, 2-117	1020428	2-134
		1017903	2-93	1020434	2-226
		1017947	2-89	1020487	2-17
		1017969	2-53	1020526	3-87
		1017978	2-43	1020540	2-11
		1017987	2-47	1020548	2-127
		1018059	2-58	1020602	2-53
		1018097	3-21	1020744	2-137, 2-145
				1020904	2-11
				1020949	2-43, 2-45, 2-47, 2-49, 2-73, 2-75
				1021019	2-103, 2-105
				1021210	3-5, 4-3
				1021265	2-19
				1021290	2-91
				1021325	3-3

CROSS REFERENCE

Part Number	Page Number	Part Number	Page Number	Part Number	Page Number
1021404	2-123	1023288	2-25	1024695	2-19
1021439	3-11	1023306	2-127	1024764	2-161
1021473	3-11	1023307	2-131	1024853	2-147
1021497	2-123	1023314	2-131	1024891	2-147
1021514	2-43, 2-47	1023334	2-119	1024934	2-89
1021546	2-123	1023464	2-13	1024977	3-89
1021564	3-11	1023476	2-123	1025005	1-2, 3-7
1021579	1-1, 2-171	1023482	2-85, 2-87	1025041	2-113
1021617	3-11	1023485	3-17	1025092	2-137
1021789	2-53	1023486	3-17	1025100	2-107, 2-113
1021794	3-7	1023487	2-159	1025101	2-226
1021834	2-11	1023488	2-157	1025132	2-171
1021878	3-21, 3-33	1023489	2-157	1025140	2-99
1021881	3-79, 3-83	1023491	2-141	1025151	2-125, 2-129
1021920	2-143	1023493	2-133	1025159	3-5
1021991	2-173	1023497	2-133	1025178	2-123
1022003	2-109	1023499	2-17	1025196	2-23
1022004	2-23	1023502	2-137, 2-145	1025198	2-113
1022031	2-97	1023508	2-133	1025229	2-85, 2-87
1022069	2-21	1023510	2-133	1025254	2-9
1022105	2-17	1023545	2-171	1025320	2-113
1022106	3-13	1023569	2-13	1025405	3-15
1022111	3-7	1023585	3-79, 3-83	1025435	2-11
1022113	2-53	1023606	2-159	1025445	3-17
1022135	3-7	1023607	2-159	1025449	2-137, 2-145
1022137	2-137, 2-145	1023608	2-157	1025452	2-137, 2-145
1022140	2-101	1023609	2-157	1025460	2-123
1022176	2-133	1023617	2-103	1025480	2-137, 2-145
1022182	2-134	1023685	2-119	1025487	2-97
1022188	3-7	1023754	2-147, 2-149	1025495	2-97
1022229	3-5	1023769	2-161, 2-163	1025544	2-161
1022243	2-97	1023853	2-57, 2-63	1025547	2-159
1022260	3-7	1023879	3-67	1025548	2-161, 2-163
1022265	3-67	1023917	2-119	1025562	2-143
1022276	3-67	1023926	2-19	1025601	2-123
1022302	3-7	1024131	2-133	1025619	2-143
1022318	3-13	1024141	2-218	1025620	2-143
1022345	2-99	1024175	2-133	1025663	3-89
1022359	2-109	1024177	2-23	1025736	2-17
1022363	2-109	1024183	2-17	1025806	2-23
1022364	2-27, 2-29	1024217	2-133	1025826	2-109
1022370	2-143	1024237	3-33	1025872	2-147
1022377	2-147	1024249	2-93	1025887	2-147
1022545	2-123	1024251	2-167, 4-7	1025888	2-147
1022668	2-119	1024260	2-19, 4-23	1025916	2-17
1022683	2-119	1024274	2-91	1025968	2-111
1022699	2-11	1024309	2-121	1025990	3-17
1022736	2-97	1024407	2-111, 4-11	1025991	3-17
1022779	2-101	1024425	2-17	1025992	3-17
1022787	2-101	1024450	2-121	1026003	2-57
1022794	2-53	1024464	2-17	1026007	2-115
1022798	2-101	1024478	2-19	1026014	2-143
1022825	2-127, 2-131	1024500	2-23	1026025	2-97
1022831	2-117	1024535	2-137, 2-145	1026051	2-137, 2-145
1022846	2-125, 2-129	1024570	2-109	1026067	3-21
1022903	2-115	1024576	2-127, 2-131	1026074	3-19
1022978	2-131	1024586	1-1	1026080	2-103, 2-105
1023063	2-121	1024599	2-137, 2-145	1026101	2-111
1023081	2-169	1024648	2-115	1026119	3-15
1023239	2-117	1024658	2-119	1026130	2-113

CROSS REFERENCE

Part Number	Page Number	Part Number	Page Number	Part Number	Page Number
1026142	2-145	1028236	2-117	1030280	2-143
1026150	2-9	1028249	2-119	1030404	2-157
1026195	2-121	1028253	2-9	1030407	3-79, 3-81
1026222	2-5	1028270	3-17	1030441	4-30
1026223	2-5	1028328	2-143	1030444	4-30
1026316	2-143	1028334	2-119	1030503	3-89
1026319	2-169	1028343	2-39	1030511	3-25, 3-29, 3-37, 3-41, 3-51, 3-55
1026352	2-103, 2-105	1028374	2-117	1030515	3-89
1026417	2-121	1028412	2-23	1030522	3-89
1026550	2-85, 2-87	1028433	1-1, 2-113	1030557	3-89
1026576	2-91	1028440	2-113	1030558	2-113
1026628	2-23	1028446	2-113	1030588	2-17, 2-23
1026645	2-159	1028495	2-111	1030593	2-11
1026664	2-85	1028516	2-23	1030617	2-134
1026665	2-23	1028522	2-143	1030709	2-165
1026726	2-23	1028558	2-55, 2-79, 6-25	1030863	3-19
1026743	3-79, 3-83, 4-25	1028559	2-55	1030864	3-19
1026759	2-85, 2-87	1028570	2-143	1030878	3-19
1026804	2-115	1028582	3-19	1030910	2-107
1026806	2-115	1028635	2-127, 2-131	1030911	2-107
1026825	2-17	1028690	2-137, 2-145	1030969	2-5
1026831	2-121	1028691	2-137, 2-145	1031011	1-1, 2-125, 2-129
1026900	2-121	1028697	3-5	1031017	2-226
1027099	2-57	1028701	2-137, 2-145	1031152	2-119
1027103	2-57	1028711	2-29	1031206	2-17
1027108	2-119	1028722	2-37	1031217	2-111
1027143	2-119	1028753	2-55, 2-79	1031233	2-133
1027147	2-119	1028769	2-15	1031235	2-134
1027218	2-11	1028772	2-15	1031286	2-111
1027228	2-91	1028821	2-169	1031305	2-119
1027233	2-101	1028822	2-169	1031312	2-29, 2-31, 2-37
1027237	3-83, 3-85	1028905	2-5	1031331	1-1, 2-117
1027267	2-11	1028924	2-87	1031351	2-119
1027269	2-9	1028929	2-55, 2-79	1031439	2-25
1027284	2-15	1028972	2-129	1031553	2-49
1027290	1-1, 2-134	1028979	2-129	1031557	2-21
1027313	2-101	1028994	2-55, 2-79	1031566	2-77, 3-91
1027347	2-9	1029055	3-83, 3-85	1031572	3-5
1027426	2-133	1029057	3-45, 3-83, 3-85	1031609	2-45
1027588	3-71	1029082	2-29, 2-31, 2-37	1031610	2-143
1027688	2-7	1029118	3-21	1031614	2-45, 2-49
1027697	2-5	1029128	2-125	1031665	2-11, 2-15, 2-19
1027716	1-2, 3-7	1029132	2-125	1031699	2-143, 4-3
1027719	1-1, 2-117	1029153	3-83, 3-85	1031796	4-25
1027798	3-61, 3-63, 3-64, 3-65	1029155	3-83, 3-85	1031797	4-25
1027800	3-61, 3-63, 3-64, 3-65	1029156	3-83, 3-85	1031798	4-25
1027810	2-107	1029185	2-139	1031799	4-25
1027850	3-71	1029293	2-87	1031800	4-25
1027856	2-43, 2-45, 2-47, 2-49	1029295	2-87	1031801	4-25
1027916	2-9	1029362	2-15	1031802	4-25
1027926	3-11	1029379	3-7, 3-9, 4-9	1031803	4-25
1027976	3-83, 3-85	1029396	3-73, 3-75	1031823	1-1, 2-125, 2-129
1027978	3-83, 3-85	1029399	3-83, 3-85	1031826	2-9
1028049	2-115	1029545	2-21	1031827	2-9
1028074	2-139	1029652	2-21	1031945	1-1, 2-117
1028136	2-55	1029748	2-134	1032242	2-51
1028145	2-159	1029790	3-83, 3-85	1032323	2-45, 2-49
1028173	2-143	1029964	2-103, 2-105	1032399	2-101
1028205	2-141	1030017	2-11	1032450	2-226
1028211	2-143	1030073	2-25		

CROSS REFERENCE

Part Number	Page Number	Part Number	Page Number	Part Number	Page Number
1032546	2-119	1037809	3-43	1043897	2-61
1032701	2-141	1037825	3-25, 3-29, 3-37, 3-41, 3-51, 3-55	1044342	3-33
1032743	2-103, 2-105	1037970	2-21	1044343	3-33
1032812	2-87	1037971	2-21	1044393	3-45
1032830	3-67	1038074	2-139	1045272	3-15
1032831	3-67	1038115	3-11	1045415	2-61
1032869	3-87	1038137	2-107, 2-127, 2-131, 3-11	1045419	2-61
1032884	3-87	1038159	4-27	1045433	2-61
1033156	2-23	1038258	2-103, 2-105	1045444	3-89
1033297	3-21	1038498	2-9	1045447	2-61
1033428	2-51	1038499	2-57	1045530	2-61
1033644	1-1, 2-51	1038569	2-157	1045759	2-165
1033746	2-87	1038805	2-133, 2-134	1045764	2-57, 2-61, 2-81
1033897	2-87	1039019	3-5	1045940	2-61, 2-81
1033901	2-87	1039049	2-143	1046022	2-25
1033975	2-11	1039064	2-139	1046039	2-61
1034147	2-123	1039072	2-143	1046173	3-45
1034282	2-123	1039091	2-9	1046237	2-51
1034655	2-87	1039348	2-119, 2-127, 2-131	1046798	2-143
1034676	2-87	1039357	3-33	1046962	2-61, 2-81
1034764	2-13	1039396	2-109	1046976	3-9
1034765	2-13	1039468	2-113	1046980	1-2, 3-9
1034766	2-13	1039469	2-113	1046995	3-9
1034767	2-17	1039521	2-85	1047002	3-9
1034768	2-13	1039652	2-143	1047060	3-9
1034769	2-13	1039697	2-143	1047098	2-133, 2-134
1034770	2-13	1039757	2-133, 2-134	1047169	2-11
1034878	2-171	1040018	2-109	1047238	1-2, 3-9
1035031	2-51	1040098	2-121	1047295	2-11
1035044	2-143	1040318	2-169, 2-171	1048166	2-81, 3-91
1035068	2-21	1040467	2-19, 2-21, 2-58, 2-61, 2-81, 3-45, 3-69	1048474	2-133, 2-134
1035133	3-93	1040524	2-5	1048512	2-133, 2-134
1035214	2-63	1040633	3-87	1048955	2-17
1035222	2-57	1040800	3-87	1049254	3-33, 3-47
1035530	2-51	1040834	3-13	1049259	3-33
1035727	2-123	1040841	2-13	1049919	2-21
1035771	2-51	1040863	3-89	1050003	2-226
1035794	3-33	1040871	3-89	1050295	3-67
1035832	2-11	1041151	2-39, 2-41	1050436	2-159
1035976	2-58	1041152	2-39, 2-41	1050437	2-159
1035997	2-11	1041291	2-58	1051026	2-5
1036240	2-9	1041822	2-15	1051534	3-91
1036710	2-159	1042003	2-137	1052017	3-47
1036801	3-33	1042010	2-145	1052124	2-107
1036892	2-15, 2-45, 2-49, 2-61, 2-73, 2-75, 2-81, 3-91	1042028	2-25	1052170	2-61
1036899	2-165	1042046	2-141	1052336	3-47, 4-27
1036906	3-17	1042499	2-7	1052342	2-107
1036939	2-161	1042500	2-7	1052726	3-45
1036965	3-17	1042504	2-7	1053078	3-45
1036997	2-139	1042686	2-107	1053464	4-27
1037011	3-15	1042710	4-30	1053838	2-9, 3-13
1037032	4-27	1042772	2-31, 2-41	1054382	2-63, 2-83
1037042	2-165	1042963	2-111	1054428	2-81, 3-91
1037311	6-28	1042968	3-7, 3-9	1054558	2-49
1037346	2-61, 2-81, 2-91, 3-91	1043322	2-63	1054575	2-103, 2-105
1037354	3-91	1043481	2-29, 2-39	1054610	2-105
1037355	2-61, 2-81, 3-91	1043866	3-47	1054682	2-103
1037749	3-93			1054776	4-27
1037805	3-15, 4-17			1054857	2-103, 2-105
				1055106	2-25

CROSS REFERENCE

Part Number	Page Number	Part Number	Page Number	Part Number	Page Number
1055139	2-105	1062116	2-31, 2-41	1071108	2-77
1055170	2-37	1062403	3-47	1071110	2-77
1055377	2-51, 2-77, 3-91	1062566	2-9	1071113	2-79
1055381	2-51	1062804	3-45	1071144	2-77
1055425	2-51	1062813	2-226	1071145	2-77
1055552	2-69	10632-12	3-69	1071155	2-65
1055588	2-165	10632-17	3-64, 3-65	1071173	2-169
1055590	2-165	10632-19	3-19, 3-33	1071253	2-149
1056195	3-89	10632-2	3-5	1071376	2-79
1056232	2-31	10632-4	3-45	1071388	2-87
1056233	2-37	1063456	2-223	1071397	6-25
1056241	2-55	1063457	2-223	1071398	6-25
1056300	2-41	1064183	3-45	1071404	2-73
1056355	2-45, 2-49	1064191	3-45	1071418	2-79
1056566	2-25	1064440	2-226	1071439	2-23
1057029	5-11	1064443	3-91	1071440	2-69, 2-71
1057637	4-27	1064661	2-226	1071481	2-91
1057643	2-103, 2-105	1065342	2-226	1071482	2-91
1057707	1-2	1065343	2-226	1071502	2-69
1057708	1-2	1066893	2-17	1071605	2-217
1057710	1-2	1067700	2-139, 2-141	1071616	2-11
1057711	1-2	1068611	2-149	1071641	3-70
1058753	3-91	1068613	2-149	1071642	2-224
1058777	3-91	1068644	2-149	1071653	2-223, 6-25
1058935	3-47	1068811	2-103, 2-105	1071654	2-223, 6-25
1058963	3-45	1068812	3-9	1071727	2-77
1058996	2-19	1068924	2-111	1071785	2-81
1059091	1-2, 3-9	1069019	1-2	1071947	3-58
1059092	1-2, 3-9	1069020	1-2	1072408	2-69, 2-71
1059100	2-149	1069241	3-67	1072421	2-77
1059234	4-30	1069253	3-67	1072456	2-17, 4-29
1059343	2-93	1069562	2-107	1072505	3-91
1059347	2-95	1070348	2-67	1072559	2-69, 2-71
1059372	3-47	1070402	3-69	1072669	2-65, 2-67
1059391	3-47	1070426	2-77	1072815	2-17
1059640	2-5	1070431	2-77	1072877	3-5
1059671	2-95	1070434	2-81	1072996	2-173, 4-21
1059677	3-45	1070619	2-77	1072997	3-15, 4-19
1059878	4-30	1070659	3-69	1073529	2-77
1060130	2-9, 3-13	1070732	2-83	10832	2-25
1060185	3-45	1070751	2-65, 2-67	10908	2-5
1060273	3-45	1070756	2-65, 2-67	10917	4-25
1060291	3-45	1070764	2-77	11399	2-9, 2-121
1060292	3-45	1070787	2-75	11442-1	2-39, 2-41
1060517	4-27	1070788	2-73, 2-75	11842	2-101
1060521	2-93	1070798	2-101	11984	3-21
1060596	3-47	1070819	2-101	12295	2-103, 2-105
1060624	3-45	1070822	2-73, 2-75	12309	2-9, 2-119
1060693	3-47	1070833	2-73, 2-75	12317	2-9, 2-133, 3-13, 3-89
1060695	4-27	1070860	2-81	12323	3-45
1060716	2-149	1070890	2-77	13048	2-41
1060719	3-45	1070955	2-81	13534	2-103, 2-105
1060871	3-58	1071003	2-79	13698	2-169
1060880	3-58	1071033	3-91	13904	4-13, 4-15, 4-17, 4-19, 4-21
1060881	3-58	1071041	3-91	13907	4-7, 4-15, 4-21
1060942	2-9	1071047	3-91	140916	3-69
1061045	3-51, 3-55	1071061	2-93	14432	2-43, 2-45, 2-47, 2-49, 2-73, 2-75
1061973	2-93	1071062	3-69	14595-1	2-97
1061974	2-95	1071099	2-83		
1062033	2-149	1071107	2-77		

CROSS REFERENCE

Part Number	Page Number	Part Number	Page Number	Part Number	Page Number
14605	2-97	21168	2-23, 2-109, 2-119, 2-125, 2-129	24196	3-51, 3-59, 3-61, 3-63, 3-64, 3-65
14838	2-5, 2-7	21195	2-51	24199	3-69
14877	3-3, 3-5, 3-19, 3-33, 3-47	21196	3-89	24265	2-23, 3-3
150100	3-19	21197	2-85, 2-101, 2-111	24299	2-5, 2-7
150208	3-77	21198	2-167, 3-79, 3-81	24339	2-93
150516	2-29, 2-39	21601	2-117, 3-9	24358	2-143, 4-3
150525	3-21	21602	2-117	24543	3-5
150538	3-33	21603	2-117, 3-9	24544	3-3, 3-19, 3-33, 3-47
150540	3-33, 4-27	21606	2-117	24555	2-117, 2-123, 3-9
150709	2-89, 3-33	21623	2-119	24698	3-47
150713	3-33	21657	4-24	24928-1	2-89
15331	2-21	21659	4-24	24976	2-25
15539	2-5, 2-7	21851	2-17	25014	2-55, 2-79
15543-2	2-43, 2-47	21852	2-5	25046	2-111, 3-7, 3-9
15648	2-137, 2-145	21933	4-23	25122	1-1, 2-171
15675	2-103, 2-105	21934	4-23	25312	3-92
15678	3-33	21935	4-23	25611	2-111, 3-7, 3-9
16213	2-101	21955	4-9	25686	2-103, 2-105
16411	1-2	21956	4-9	25735	2-123, 2-125, 2-129
16412	1-2	21958	4-9	26496	2-89
16462	2-163	21960	4-11	27048	2-39, 2-85, 2-89
16695	4-8, 4-9, 4-11	222027	2-113	27767	2-31, 2-41
16735	2-51, 2-77, 2-143, 3-11	222210	2-113	28854	4-9
16931	2-11, 2-17, 2-21, 2-23, 2-43, 2-47, 2-51, 2-61, 2-63, 2-77, 2-83, 2-85, 2-87, 2-89, 2-93, 2-97, 2-147	222267	2-23, 2-133, 2-134	29557	3-11
16968	2-15	222268	2-121	29558	3-11
17185	2-103, 2-105, 3-19	222290	2-91	29584	2-115
17284	3-13	222320	2-5	30407	2-57, 2-61, 2-81
17414	2-89	222321	2-5	31354	4-8, 4-9
17461	2-107, 2-113, 2-127, 2-131, 3-11	222322	2-5	31375	4-8
17521	2-139	222324	2-5	31376	4-11
17980	2-19, 2-169	222325	2-5	31379	4-8
19064	2-57, 3-73, 3-79, 3-81	222326	2-5	31383	4-8
19065	2-17, 3-45	222327	2-5	31543	3-37, 3-51, 3-55
19066	2-17, 2-23, 2-51, 2-91, 3-45, 3-59, 3-61, 3-63, 3-64, 3-65, 3-79, 3-83	222375	3-51, 3-55	31613	1-1, 2-171
19191	2-111, 3-7, 3-9	222496	2-53, 2-55, 2-79, 2-103, 2-105, 2-111	32126	2-93
19312	2-29, 2-31, 2-37, 2-69, 2-71	222505	2-53, 2-55, 2-79, 2-119, 2-123	32183	3-5
19313	2-51, 3-67	222516	2-137, 2-145	32483	2-17, 2-19, 2-27, 2-29, 2-31, 2-33, 2-37, 2-43, 2-47, 2-53, 2-55, 2-57, 2-61, 2-79, 2-85, 2-87, 3-45, 3-91
19315	2-25, 2-29, 2-31, 2-37, 2-69, 2-71	22290	2-19	32485	2-25, 2-51, 2-55, 2-65, 2-67, 2-101, 2-107, 2-123, 2-167
19317	2-29, 2-31, 2-37	22297	2-57, 2-63, 2-83	32486	2-19, 2-25, 2-57, 2-65, 2-67, 2-95, 3-11
19583	2-93	223054	2-115	32490	2-11, 2-25, 2-29, 2-31, 2-37, 2-39, 2-57, 2-61, 2-69, 2-71, 2-79, 2-81, 2-91, 2-97, 2-99, 2-101, 3-19, 3-21
19760	2-89	22308-6	2-89		
20170	2-97	223080	2-17		
20394	2-21, 3-83, 3-85	223198	2-107, 3-45, 3-89		
20778	2-91	223470	3-7		
20807	2-141	223599	2-15		
20833	1-1, 2-123	22609	4-11		
20944	3-5	22614	4-11		
20951	3-5, 4-27	22615	4-11		
20952	3-5	22790	4-3		
		23146	2-9, 3-13		
		23156	2-89		
		23285	4-3		
		23498	2-137, 2-145, 2-147		
		23788	2-97		
		24012	2-53, 2-55		
		24047	2-89		
		24105	3-3		

CROSS REFERENCE

Part Number	Page Number	Part Number	Page Number	Part Number	Page Number
32491	2-9, 2-11, 2-17, 2-19, 2-21, 2-23, 2-43, 2-45, 2-47, 2-49, 2-51, 2-55, 2-57, 2-61, 2-63, 2-73, 2-75, 2-77, 2-81, 2-83, 2-85, 2-87, 2-89, 2-93, 2-97, 2-103, 2-105, 2-107, 2-113, 2-115, 2-133, 2-137, 2-141, 2-143, 2-145, 2-169, 3-11, 3-13, 3-15, 3-67, 3-79, 3-83, 3-87, 3-91	361071	2-15	371932	5-5
32492	2-9, 2-17, 2-55, 2-61, 2-79, 2-81, 2-85, 2-89, 2-101, 2-111, 2-123, 2-133, 3-7, 3-9, 3-67, 3-71, 3-79, 3-81, 3-89	361073	2-15	371933	5-5
32493	2-9, 2-25, 2-65, 2-67, 2-119	361075	2-15	371934	5-5
32509	4-27	361339	2-61, 2-97, 2-99, 2-109, 2-113, 3-19, 3-21, 3-91	371935	5-5
32716	2-51, 2-89	36159	2-69, 2-71	371936	5-5
32746	2-5, 2-7	363162	2-117	371937	5-5
32747	2-5	36328	2-119, 2-127, 2-131, 2-149	371938	5-5
32981	2-85, 2-87, 2-147	363301	2-117	371940	5-8
32982	3-45	363458	2-9	371941	5-8
32983	2-17, 2-51	363976	2-11, 2-51	371942	5-5
32987	2-93	364347	2-97	371943	5-8
32988	2-51	364441	2-117, 3-15	371944	5-5
331470	3-93	364749	2-17	371945	5-5
331471	3-93	364864	2-97	371946	5-5
331472	3-93	364948	2-97	371947	5-7
331473	3-93	365009	2-163	371948	5-7
331475	3-93	365164	2-43, 2-47	371949	5-7
33295	3-3	36643	2-89, 2-101, 2-147	371950	5-7
33373	2-123	36644	2-107	371951	5-7
33580	4-5	367770	2-115, 3-79, 3-81	371952	5-7
33671	2-91	367771	2-119	371954	5-3
33932	2-23, 2-101, 2-125, 2-129, 3-3, 3-45	367949	2-133, 2-134	371955	5-3
34178	4-5	368391	2-17	371956	5-3
34359	3-15	36845	3-11	371957	5-3
34390	2-111	369359	3-7, 3-9, 3-89	371958	5-3
34411	2-9, 3-13	369704	2-91	371959	5-8
35493	4-10	369745	2-43, 2-45, 2-47, 2-49, 2-73, 2-75	371960	5-8
35707	2-89	369746	1-1, 2-43, 2-45, 2-47, 2-49, 2-73, 2-75	371961	5-8, 5-11
35710	2-89	369747	2-43, 2-45, 2-47, 2-49, 2-73, 2-75	371962	5-5
360023	2-95	370091	2-5	371963	5-5
360074	2-95	370095	2-5	371964	5-5
360270	2-95	370100	2-117	371965	5-5
360271	2-95	371503	6-21	371966	5-5
360272	2-95	371509	6-17	371967	5-5
360273	2-95	371527	2-51	371968	5-5
360274	2-95	371562	6-17	371969	5-5
360275	2-95	371770	2-39, 2-41	371970	5-5
360276	2-95	371790	3-93	371971	5-5
360801	2-127, 2-131, 2-143	371854	2-45, 2-49	371972	1-1, 2-25, 5-8
360802	2-95	371855	2-25	371973	5-8
360824	3-87	371860	2-25, 2-53, 2-55	371975	5-8
360973	2-134	371861	2-53, 2-55	371976	5-5
361047	3-17	371863	2-51	371977	5-5
		371865	2-51	371978	5-5
		371866	2-25	371979	5-5
		371868	2-25	371980	5-7
		371869	2-25	371981	5-7
		371870	2-25	371983	5-7
		371871	2-51	371984	5-7
		371872	2-51	371986	5-7
		371876	2-25	371987	5-7, 5-8
		371877	2-25, 2-39, 2-41	371988	5-7
		371890	2-25	371990	5-3, 5-7
		371931	5-5	371991	5-7
				371992	5-8
				371993	5-7
				371994	5-7
				371995	5-8
				371996	2-25, 5-7
				371997	5-7

CROSS REFERENCE

Part Number	Page Number	Part Number	Page Number	Part Number	Page Number
371998	5-7	372235	2-223	372579	2-33, 2-37
371999	5-3, 5-5	372236	2-223	372580	2-33
372000	5-7	372237	2-223	372582	2-33
372001	5-7	372440	1-1, 2-85, 2-87	372603	5-12
372002	2-25, 5-7	372470	2-29, 2-31, 2-37, 2-69, 2-71	372605	2-33
372003	5-7	372482	2-33	372606	2-33
372004	5-7	372484	2-33	372607	2-33
372005	5-7	372489	2-27	372608	2-33
372007	5-3	372491	2-53	372609	2-33
372008	5-3	372492	6-25	372610	2-33
372009	5-11	372493	2-27, 2-33, 6-25	372611	2-33
372010	5-11	372497	2-34	372612	2-33
372011	5-11	372498	2-33	372613	2-33
372012	5-11	372500	2-33	372615	1-1, 2-33, 2-39
372013	5-11	372501	2-34	372616	5-11
372014	5-11	372503	2-33	372857	2-33
372015	5-11	372506	2-33	372858	2-27
372016	5-11	372507	2-33	372862	2-25
372017	5-11	372510	2-33	372863	3-93
372018	5-3	372511	2-33	372882	5-3
372019	5-3	372512	2-33	372891	6-25
372020	5-9, 6-16	372514	2-33	372898	2-33
372021	5-9	372515	2-33	372953	2-25
372022	5-3	372517	2-33	373217	4-5
372023	5-3	372518	2-33	373226	4-5
372024	5-3	372519	2-33	373236	4-5
372025	5-3	372523	2-33	373260	4-5
372026	5-3	372528	2-33, 2-39	373291	4-5
372027	5-3	372529	2-39, 2-41	373297	4-5
372028	5-3	372534	2-27, 2-29, 2-37	373298	4-5
372029	5-3	372537	2-27, 2-33	373299	4-5
372030	5-3	372539	2-39, 2-41	373317	4-7
372031	5-3	372541	2-25	373327	4-7
372032	5-3	372542	2-27	373346	4-7
372033	5-3	372543	2-27, 2-29, 2-31, 2-37	373347	4-7
372034	5-3	372544	2-27, 2-29, 2-31, 2-33	373348	4-7
372035	5-3	372545	2-27, 2-29, 2-31	373389	4-7
372036	5-3	372546	2-27	373391	4-7
372037	5-3	372547	2-27, 2-29, 2-31, 2-33, 2-37	373393	4-7
372038	5-3	372548	2-29, 2-31, 2-33, 2-37	373394	4-7
372039	5-3	372549	2-27, 2-29, 2-31, 2-33, 2-37	373395	4-7
372040	5-11	372550	2-27, 2-29, 2-31, 2-33, 2-37	373398	4-7
372041	5-11	372554	2-25	373402	4-7
372043	5-11	372556	2-25	373413	4-7
372044	5-11	372557	2-51	373427	4-7
372046	5-11	372558	2-33	373429	4-7
372047	5-3	372560	5-8	373434	4-7
372048	5-3	372563	2-27	373493	4-7
372049	5-9	372566	2-27	373494	4-7
372050	5-9	372567	5-7	373631	4-15, 4-21
372051	5-9	372569	2-33	373633	4-13, 4-17, 4-19
372052	5-9	372572	5-7	373640	4-13, 4-15, 4-17, 4-19, 4-21
372053	5-9	372573	5-3	373642	4-13, 4-15, 4-17, 4-19, 4-21
372055	5-12	372574	5-3	373646	4-13, 4-15, 4-17, 4-19, 4-21
372056	5-12	372575	1-1, 5-12	373647	4-13, 4-15, 4-17, 4-19, 4-21
372057	5-12	372576	2-33		
372058	5-12	372577	2-33		
372059	5-12				
372060	5-12				
372066	5-9				

CROSS REFERENCE

Part Number	Page Number	Part Number	Page Number	Part Number	Page Number
373648	4-13, 4-15, 4-17, 4-19, 4-21	384963	5-5	39277	2-9, 2-11, 2-43, 2-45, 2-47, 2-49, 2-57, 2-61, 2-73, 2-75, 2-77, 2-81, 2-83, 2-85, 2-87, 2-89, 2-137, 2-145, 2-149, 2-169, 2-171
373656	4-13, 4-17, 4-19	384964	5-5	39278	2-101
373657	4-13, 4-15, 4-17, 4-19, 4-21	384966	5-7	39279	2-97
373658	4-13, 4-15, 4-17, 4-19, 4-21	384968	5-7	39281	2-77, 2-123
373661	4-13, 4-17, 4-19	384970	2-39, 2-41	39283	2-11, 2-25, 2-61
373662	4-13, 4-17, 4-19	384971	2-39, 2-41	39284	2-53, 2-55, 2-79
373663	4-13, 4-15, 4-17, 4-19, 4-21	384972	2-29, 2-31, 2-37	39308	2-127, 2-131
373664	4-13, 4-15, 4-17	384973	2-39, 2-41	39311	2-11, 2-51
373665	4-15, 4-21	384974	2-27, 2-29, 2-31, 2-37	393129	2-121
373666	4-15, 4-21	384975	2-39	393135	2-125, 2-129, 2-137, 2-145, 3-87
373667	4-15, 4-21	384976	2-37	393209	2-51
373668	4-15, 4-21	384977	2-39, 2-41	393215	2-93
373669	4-15, 4-21	384978	2-39, 2-41	393255	3-13
373670	4-13, 4-15, 4-17, 4-19, 4-21	384979	2-39, 2-41, 6-22, 6-29	39349	2-11, 2-51, 2-77, 2-79, 2-101, 2-121, 2-127, 2-131, 2-137, 2-145
373671	4-15, 4-21	384980	2-37	39350	2-93
373672	4-13, 4-15, 4-17	384983	2-39	394916	2-223
373673	4-13, 4-15, 4-17	384984	2-39, 2-41	394921	2-223
373674	4-11	384985	2-29, 2-31, 2-37	39527	2-103, 2-105, 4-8
373678	4-7	384986	2-39, 2-41	39534	2-147
373679	4-7	384990	2-223	395973	2-173, 3-15
373680	4-7	384991	2-37	395974	2-173, 3-15
373681	4-7	384992	2-29, 2-31	396221	2-157
373683	4-17, 4-19	384995	2-29, 2-31, 2-37	396255	2-159
374560	2-93	384996	2-37	396273	2-159
374563	2-93	384997	2-223	396278	2-163
375321	3-83, 3-85	384998	2-223	396438	2-159
375322	3-3	384999	2-223	396476	2-173, 3-15
37555	4-8, 4-9, 4-11	385001	6-15	397648	3-79, 3-81
37616	4-5	385009	2-87	397826	2-121
377349	2-133, 3-3	385011	6-22	39785	2-51
377537	1-2	385015	6-15, 6-16, 6-19, 6-21, 6-22	397914	2-5
377538	1-2	385029	2-25	397974	2-5
377540	1-2	385644	3-23, 3-25, 3-35, 3-49, 3-51, 3-79, 3-83	39810	2-25
37756	4-5	385685	2-134, 2-143, 3-5	39811	2-107
379030	2-113, 2-115	386088	2-127, 2-131	398279	2-43, 2-45, 2-47, 2-49, 2-73, 2-75
379609	2-93, 4-5	386264	2-117	398468	2-85, 3-19
379870	2-119, 2-127, 2-131	386298	2-117, 3-9	398474	3-19
381391	2-73, 2-75	386652	3-5	398500	3-79, 3-83
381502	2-97, 2-115	387237	2-117	398501	2-15
381854	2-163	387281	2-161	399249	2-5
381866	2-163	387433	2-117	40362	2-171
382099	2-107	387500	2-117	40625	2-169
382224	2-97, 2-115	388153	2-19	40678	2-169
382320	2-133, 2-134, 2-143, 3-92	388552	5-11	41130	2-147
382516	2-15	38968	4-5	41139	2-23
38255	4-5	39005	2-115	41141	2-9, 2-119
38263	4-11	390994	2-133	41142	2-51
383165	2-15	391368	2-21	41169	2-99, 2-101
383912	2-85	391804	2-119	41178	2-17, 2-58, 2-61, 2-81
384418	2-23, 2-125, 2-129	39210	2-105, 2-173, 3-15	41185	2-119, 2-127, 2-131
384419	2-23	392171	2-15		
384442	2-51, 2-53, 2-55	392609	2-147		
384961	5-5	392629	2-85		
384962	5-8	392645	2-89		

CROSS REFERENCE

Part Number	Page Number	Part Number	Page Number	Part Number	Page Number
41186	2-51, 2-77, 2-101, 2-137, 2-145, 2-147, 3-11	48996	2-51	55455	2-171
41187	2-55, 2-101, 2-127, 2-131	48998	2-51, 2-77	55586	2-103, 2-105, 2-173, 3-15
41295	3-3, 3-5	49145	2-95	55685	2-171, 3-15
41315	2-139	49266	2-15, 2-27, 2-29, 2-61, 2-93, 2-105, 2-165, 3-19, 3-47, 3-64, 3-65	55845	3-73
41346	3-11	49694	2-111	55926	4-7
41359	3-45	49697	2-125, 2-129	56078	2-103, 2-105
41361	2-25	49800	2-17, 2-57	56185	2-19
41399	2-99	49883	2-77	56186	3-19, 3-33, 3-45, 3-79, 3-83
41430	2-57, 2-61, 2-81, 2-89, 2-169, 3-67, 3-89	49933	2-147, 2-173	56690	2-19, 2-171, 3-15, 3-17
41445	2-127, 2-131	50178	3-13	56692	2-149, 3-7
41579	2-5, 4-27	50335	2-25, 2-101	56820	2-19, 2-173, 3-15
41619	2-107, 2-113, 2-115, 2-127, 2-131	50544	2-139	56821	3-7, 3-9
42011	2-51	50901	3-47	56835	2-19
42120	2-107, 2-113	51109	2-97	56992	2-15
42133A	3-3, 3-19, 3-33, 3-47	51176	2-25, 2-65, 2-67	57189	2-147
42180	2-99	51305	2-27, 2-29, 2-34, 2-39, 2-57, 2-63, 2-83	57223	2-165
42223	2-93	51338	2-93	57248	3-33
42226	2-147, 2-173, 3-15	51339	2-93	57297	2-89
42467	2-101	51754	2-161	57315	2-93
43555	2-137, 2-145	51787	2-169	57569	2-81
43844	2-27, 2-29, 2-34, 2-39, 2-57, 2-58, 2-63, 2-83, 2-141, 3-3, 3-5, 3-33, 3-47	51824	2-107	57702	3-89, 3-91
44868	2-103, 2-105, 2-111, 2-167, 2-173, 3-15	51839	2-27, 2-29, 2-31, 2-34, 2-39, 2-41	57769	3-79, 3-81
44869	2-111, 2-167, 2-171, 3-15	52405	4-5	57804	2-91, 2-223
44961	4-27	53076	2-167	578060000	3-77
45261	2-119	53400-1	2-89	578061000	3-77
45622	4-5	53400-4	2-89	578063000	3-77
45623	4-5	53466	2-9, 2-11, 2-57, 2-83, 2-91, 2-169, 3-21	578064000	3-77
45628	4-8, 4-9, 4-11	53485	4-10	578066000	3-77
46236	3-61, 3-63	53782	2-119	578071000	3-75
46314	2-27, 2-33	53947	2-101	578072000	3-75
46480	2-173	53953	2-101	578074000	3-77
46481	2-169	54017	2-157	578077000	3-77
46482	2-171, 2-173	54051	2-93	578078000	3-77
46559	2-101	54052	2-93	578091000	3-77
46563	2-97	54087	2-93	578094000	3-77
46800	3-7	54095	4-10	578123000	3-77
47504	3-15	54205	2-101	578124000	3-77
47512	2-167	54274	2-57, 2-61, 2-81, 2-147, 2-149	578125000	3-77
47513	2-149, 2-167	54275A	2-147	578126000	3-77
47522	2-93	54333	2-29, 2-39, 2-73, 2-75, 2-85, 2-87, 2-91, 2-141, 3-13, 3-19, 3-23, 3-25, 3-27, 3-29, 3-33, 3-35, 3-37, 3-39, 3-41, 3-47, 3-49, 3-51, 3-53, 3-55, 3-79, 3-81, 3-83	578143000	3-77
47585	2-19	54390	2-95	578154000	3-77
47719	3-13	54607	2-97	578155000	3-77
47801	2-93	54615	2-143	578160000	3-75
48079	2-101	54620	2-111	578161000	3-77
48126	2-87	54655	2-101	578164000	3-77
48267	2-85	54655	2-101	578214000	3-77
48610	3-79, 3-81	54861	2-147	578228000	3-77
48790	3-47	55272	3-61, 3-63, 3-64, 3-65	578276000	3-75
48813	4-10			578318000	3-75
48985	2-107, 3-11			578439	3-77
				578820000	3-75
				578821000	3-77
				579112	3-77
				57946	2-161
				58311	2-97
				58366	2-63
				58494	2-17

CROSS REFERENCE

Part Number	Page Number	Part Number	Page Number	Part Number	Page Number
58589	2-89	65695	2-103, 2-105	74123	4-5
58590	2-89	67004	3-73, 3-79, 3-81	74125	4-5
58592	2-171	67555	2-107	74165	4-5
58819	2-9, 2-11, 2-99	67767	2-39, 2-57, 2-99, 2-143	74166	4-5
58842	2-93	67811	2-167	74167	4-5
58979	2-111, 2-143	68866	2-99	74168	4-5
59009	2-97	68869	2-91	74180	4-7
59156	2-89, 3-11	69173	2-111, 2-173	74183	4-23
59194	2-127	69234	2-75, 2-89	74185	4-23
59195	2-131	69582	2-97	74193	4-23
59378	4-10	69785	2-133	74196	4-23
59577	2-19	70096	4-7	74222	4-23
59633	3-11	70100	4-7	74225	4-7
59668	2-99	70157	2-11, 2-149	74226	4-7
60090	3-15	70563	2-103, 2-105	74232	4-23
602036000	3-77	70622	2-19	74233	2-147, 4-10
60295	2-91	70623	2-19	74237	4-7
607775	4-27	70624	2-111	74243	4-23
61212	3-79, 3-81	70709	2-19	74244	4-23
61490	4-8, 4-9	70717	2-19	74245	4-23
61869	2-31	71100	2-115	74250	4-8, 4-9, 4-11
62471	2-169	71101	2-115	74440	2-101
62595-15	2-87	71340	2-93	74455	2-57, 2-169
630164	3-47	71341	2-93	75456-3	2-147
63175-1	3-11	71367	2-97	75456-4	2-147
63233	3-11	71369	2-107	75968	2-19
63234	2-101	71579	2-9, 2-119	760740	2-119
63244-2	3-3	71607	2-127, 2-131	76099	2-109, 3-21, 3-25, 3-29, 3-37, 3-41, 3-51, 3-55
63245-1	3-19, 3-29, 3-41, 3-55	71726	2-171	761490	2-9, 3-13
63378	2-89	71727	2-173	762249	3-19
63430	3-73	71729	2-103, 2-105, 4-8	762282	2-31, 2-41
63448	3-73	71735	2-159	762514	2-91
63451	3-73	71741	2-159	763090	2-107
63468	2-123	71868	3-11	763114	3-19
63810	2-27, 2-29, 2-31, 2-34, 2-39, 2-41, 2-139, 2-141, 3-3, 3-5, 3-13, 3-23, 3-25, 3-35, 3-37, 3-39, 3-49, 3-51, 3-53, 3-79, 3-83, 3-85	71869	3-11	763115	3-64, 3-65
63923	4-24	71874	3-11	763116	3-19, 3-25, 3-37
63987-1	2-141, 3-47	71941	2-21	76315	2-149
64425	2-123, 2-125, 2-127, 2-129, 2-131, 3-7	72926	2-93	76426	2-143
64743	3-19	72968	3-47, 3-73, 3-79, 3-81	76570	2-77, 2-137, 2-145
64778	3-47, 3-83, 3-85	72970	2-19	76888	2-17
65145-1	2-167	73027	2-19	76958	2-51
65180	2-123	73260	3-3, 4-24	769785	3-83, 3-85
65197	2-159	73281	2-93	77003	4-15, 4-21
65215	2-171	73342	4-3	77005	4-13, 4-15, 4-17, 4-19, 4-21
65230	4-9	73411	2-101	77006	4-15, 4-21
65241	4-8	73433	3-3	77097	2-111, 2-115, 2-127, 2-131, 2-173, 3-11
65340	3-77	73471	2-27, 2-29, 2-34, 2-39, 2-57, 2-63, 2-83	77098	2-107, 2-113, 2-149, 3-11
65341	3-75	73736	2-15	77221	2-226
65342	3-79, 3-81	74027	2-121	77345	2-93
65441	2-99	74077	2-23	77347	2-9
65580	3-73, 3-79, 3-81	74090	2-137, 2-145	77488	2-115
65581	3-47	74094	4-8, 4-9, 4-11	78122	2-89, 3-79, 3-81
65582	3-77	74095	4-8	78398	3-3, 4-3
65610	3-77	74098	4-8, 4-11, 4-15, 4-21	78829	4-3
		74099	4-8	78830	4-3
		74100	4-8, 4-9		
		74101	4-11		
		74122	4-5		

CROSS REFERENCE

Part Number	Page Number	Part Number	Page Number	Part Number	Page Number
78833	4-3	9001718	3-64	9003832	2-55
78836	4-3	9002380	2-11	9003893	2-143
78838	4-3	9002381	2-11	9003926	3-93
78839	4-3	9002391	2-15	9004118	2-133
78840	4-3	9002392	2-15	9004493	2-117
78841	4-3	9002393	2-57	9004674	5-11
78842	4-3	9002394	2-53, 2-55	9004675	5-11
78843	4-3	9002395	2-85	9004880	2-15
78875	4-24	9002398	2-171	9004983	2-55
78950	4-25	9002401	2-9	9005165	2-133, 2-134
78951	4-25	9002409	2-11	9006257	3-93
78952	4-25	9002436	2-15	9006334	2-9, 3-13
79273-1	3-23, 3-25, 3-27, 3-29	9002437	2-15	9006386	2-105
79273-2	2-139, 2-141	9002553	1-1	9006398	2-103, 2-105
79380	2-147	9002554	1-1	9006562	2-165
79381	2-53, 2-55, 2-57, 2-63, 2-83, 3-73	9002555	1-1	9006592	2-87
79484	3-3	9002613	1-1	9006618	2-37, 6-30
79497	3-3	9002670	2-133	9006619	2-31, 2-37, 6-28
79506	2-137, 2-145	9002684	2-147	9006620	2-41, 6-29
79729	4-5	9002708	4-3	9006634	2-25
79828	4-5	9002709	4-3	9006635	2-25
80288	2-11	9003009	4-30	9006811	2-61
80395	2-117, 2-137, 2-145	9003055	2-121	9006813	2-61
80409	2-123	9003057	2-125, 2-129	9006895	2-25
80950	2-123	9003058	2-119	9006917	2-51
81582	2-121	9003059	2-119	9007088	2-51
81784	2-127, 2-131	9003060	2-115	9007131	3-59
81952	2-123	9003061	2-111	9007142	2-167
82727	2-11	9003068	2-134	9007380	1-1, 2-41, 6-29
82832	2-93	9003069	2-133	9007381	1-1
82839	3-13	9003070	2-134	9007382	1-1
83578	2-27, 2-29, 2-34, 2-39	9003071	2-133	9007423	2-37, 6-30
83874	1-1, 2-117	9003072	2-143	9007424	2-37, 6-30
83879	2-101	9003134	3-73	9007513	2-9
84170	2-101	9003135	3-89	9007552	2-41
84597	1-2	9003139	3-83	9007553	2-41
86508	3-3	9003142	3-71	9007882	3-45, 4-27
86636	2-143	9003143	3-87	9007883	4-27
86659	2-95	9003247	2-111	9007914	2-15
86751	2-97	9003249	2-111	9007915	2-15
86759	3-7	9003282	3-85	9008193	6-29
86767	3-73	9003313	2-143	9008197	2-25, 5-7
86866	2-107, 2-113, 2-115	9003345	5-3	9008248	2-93
87536	2-15	9003390	2-29, 2-31	9008757	4-30
87631	2-103, 2-105	9003391	2-37	9008804	6-29
87730	2-85	9003422	2-11	9008805	6-25, 6-29
87738	2-63, 2-83	9003423	2-11	9008806	6-30
87816	2-127, 2-131	9003425	2-11	9008807	6-30
87866	1-1, 2-15	9003426	2-11	9008808	6-30
9000355	2-85, 2-87	9003428	2-11	9008848	4-30
9000845	3-63, 3-65	9003429	2-11	9008868	3-33, 4-30
9000846	3-61, 3-64	9003431	2-11	9010085	3-69
9000879	3-61, 3-63, 3-64, 3-65	9003432	2-11	9010086	3-69
9001314	3-67	9003433	2-11	9010096	2-81
9001316	3-92	9003455	2-147	9010097	2-81
9001321	3-59	9003461	2-147	9010215	6-22
9001327	3-61	9003610	2-87	9010217	6-20
9001331	3-63	9003793	2-137	9010219	6-20
9001717	3-65	9003794	2-145	9010222	6-17
		9003797	2-143	9010223	6-17

CROSS REFERENCE

Part Number	Page Number	Part Number	Page Number	Part Number	Page Number
9010224	6-17	9010286	6-15	9010436	6-3
9010225	6-17	9010287	6-15	9010437	6-3
9010226	6-17	9010288	6-15	9010438	6-3
9010227	6-17	9010289	6-22, 6-23	9010439	6-3
9010228	6-17	9010290	6-22	9010440	6-3
9010229	6-17, 6-21	9010291	6-22	9010441	6-3, 6-5
9010230	6-17	9010293	6-22	9010442	6-3
9010231	6-17	9010294	6-22	9010443	6-3
9010232	6-18	9010295	6-22	9010444	6-3
9010233	6-18	9010296	6-16	9010445	6-3
9010234	6-18	9010297	6-16	9010446	6-3
9010235	6-18	9010298	6-16	9010447	6-3
9010236	6-18	9010302	6-16	9010448	6-3
9010237	6-18	9010303	6-16	9010449	6-3
9010238	6-18	9010305	6-23	9010450	6-3
9010239	6-16, 6-18	9010306	6-23, 6-26	9010451	6-3
9010240	6-18, 6-19	9010307	6-23	9010452	6-3
9010241	6-18	9010308	6-23	9010453	6-3
9010242	6-18	9010309	6-23	9010454	6-3
9010243	6-19	9010310	6-23	9010455	6-3
9010244	6-19	9010311	6-7	9010456	6-3
9010245	6-20	9010312	6-7	9010457	6-3
9010246	6-20	9010313	6-7	9010458	6-3
9010247	6-25	9010314	6-30	9010459	6-3
9010248	6-25	9010317	6-29	9010460	6-4
9010249	6-25	9010327	6-26	9010461	6-4
9010250	6-9	9010330	6-27	9010462	6-4
9010251	6-9	9010331	6-27	9010463	6-4
9010252	6-9	9010359	6-18	9010464	6-4
9010253	6-9, 6-21	9010360	6-18	9010465	6-4
9010254	6-9	9010366	6-25	9010466	6-4
9010255	6-25	9010367	6-25	9010467	6-5
9010256	6-25	9010371	6-21	9010468	6-5
9010257	6-25	9010372	6-21	9010469	6-5
9010258	6-25	9010373	6-21	9010470	6-5
9010260	6-25	9010374	6-21	9010471	6-5
9010261	6-25	9010375	6-21	9010473	6-5
9010262	6-16, 6-25, 6-29	9010376	6-21	9010479	6-5
9010263	6-25	9010377	6-21	9010480	6-5
9010264	6-25, 6-29	9010380	6-21	9010481	6-5
9010266	6-27, 6-28	9010382	6-15	9010482	6-5
9010267	6-28	9010383	6-15	9010483	6-5
9010268	6-27, 6-28	9010384	6-15	9010484	6-5
9010269	6-28	9010419	6-3	9010485	6-5
9010270	6-28	9010420	6-3	9010487	6-7
9010271	6-28	9010421	6-3	9010488	6-7
9010272	6-29	9010422	6-3	9010489	6-7
9010273	6-29	9010423	6-3	9010490	6-7
9010274	6-29	9010424	6-3	9010491	6-7, 6-9
9010275	6-29	9010425	6-3	9010492	6-7
9010276	6-29	9010426	6-3, 6-12	9010493	6-7
9010277	6-29	9010427	6-3	9010494	6-7
9010278	6-29	9010428	6-3	9010495	6-7
9010279	6-29	9010429	6-3	9010496	6-7
9010280	6-29	9010430	6-3	9010497	6-7
9010281	6-15	9010431	6-3, 6-5	9010498	6-7
9010282	6-15	9010432	6-3	9010502	6-7
9010283	6-15	9010433	6-3	9010503	6-7, 6-13
9010284	6-15	9010434	6-3	9010504	6-7
9010285	6-15	9010435	6-3	9010505	6-7

CROSS REFERENCE

Part Number	Page Number	Part Number	Page Number	Part Number	Page Number
9010506	6-7	9010571	6-11	9011347	4-19, 4-21
9010507	6-7	9010572	6-11	9012497	2-55
9010508	6-7	9010574	6-11	9012585	4-29
9010511	6-7	9010575	6-11	9012587	4-29
9010512	6-7	9010576	6-11	9012589	4-29
9010513	6-10	9010577	6-11	9012590	4-29
9010514	6-10	9010578	6-11	9012591	4-29
9010515	6-10	9010579	6-11	9012592	4-29
9010516	6-10	9010580	6-11	9012593	4-29
9010517	6-10	9010581	6-12	9012594	4-29
9010518	6-10	9010582	6-12	9012595	4-29
9010519	6-10	9010583	6-12		
9010520	6-10	9010585	6-12		
9010521	6-10	9010586	6-12		
9010522	6-10	9010587	6-12		
9010523	6-10	9010589	6-12		
9010524	6-10	9010590	6-12		
9010525	6-10	9010591	6-12		
9010526	6-10	9010592	6-12		
9010527	6-10	9010593	6-12		
9010528	6-10	9010594	6-12		
9010529	6-10	9010595	6-12		
9010530	6-9	9010596	6-12		
9010531	6-9	9010597	6-12		
9010532	6-9	9010598	6-12		
9010533	6-9	9010599	6-12		
9010534	6-9	9010600	6-11, 6-12		
9010535	6-9	9010601	6-12		
9010536	6-9	9010602	6-13		
9010537	6-9	9010603	6-13		
9010538	6-9	9010604	6-13		
9010539	6-9	9010606	6-13, 6-15		
9010540	6-9	9010607	6-13		
9010541	6-9	9010609	6-13		
9010542	6-9	9010610	6-13		
9010543	6-9	9010612	6-13		
9010544	6-9	9010613	6-15		
9010545	6-9	9010615	6-15		
9010546	6-9	9010617	6-15		
9010547	6-9	9010618	6-15		
9010548	6-9	9010619	6-16		
9010549	6-9	9010622	1-1, 6-19		
9010550	6-9	9010623	6-17		
9010551	6-9	9010624	6-17		
9010552	6-9	9010625	6-17		
9010554	6-9	9010626	6-29		
9010555	6-9	9010627	1-1, 2-65, 2-67, 6-21		
9010556	6-9	9010628	6-21		
9010557	6-9	9010629	6-21		
9010559	6-9	9010630	6-21		
9010560	6-9	9010631	6-21		
9010561	6-9	9010634	2-37, 6-30		
9010562	6-9	9010635	3-93		
9010563	6-9	9010904	2-83		
9010564	6-9	9010905	6-22		
9010565	6-9	9010910	6-22		
9010567	6-9	9010988	3-91		
9010568	6-9	9011343	4-19, 4-21		
9010569	6-9	9011345	4-19, 4-21		
9010570	6-11	9011346	4-19, 4-21		

PART DESCRIPTION TO PAGE NUMBER CROSS REFERENCE LIST

A

Ace, Thrust, Motor, Hyd [En], 4-9, 4-11
 Actuator [Mit , Bosch], 6-27, 6-28
 Actuator, Valve, By-Pass [En], 4-7
 Adapter, 2-31, 2-37, 6-28
 Adapter [1.6], 2-33
 Adapter, Head / Wand [17b/E], 3-77
 Adapter, Filter, Oil, Remote [Mit], 6-21
 Adapter, Intake, Throttle Body, 2-27, 2-29, 2-37
 Adapter, Plate, 2-33
 Adapter, Rod-End, Side Brush, 3-11
 Adapter, Throttle Body, 2-33
 Adapter, Valve, 400mm [Bosch], 2-37
 Adapter, Valve, Fuel Trim, 2-33
 Adjuster Assy, Lash, 6-9
 Alarm Assy, Backup, 12/48Vdc, 3-59
 Alarm Kit, Backup, Ci [M20 And T20], 3-59
 Alarm, 9-48vdc, 95 Db(A) [Ec-H20], 3-45
 Alarm, Warning [Sonalert, St628], 2-91
 Alternator, 12vdc 075a [Multi Grv], 2-51
 Alternator, 7si [Mit Df Sur-Belt], 6-20
 Angle, Brace, Shrd, 2-23
 Angle, Deflector, 2-109
 Angle, Mtg, 2-101
 Angle, mtg, Antenna, Telem, 3-69
 Angle, Mtg, Stl, .12 3.7 3.4 09.11, 2-137, 2-145
 Angle, Mtg, Stl, .12 4.2 2.0 01.41, 2-133
 Angle, Mtg, Stl, .18 2.2 1.9 03.01, 2-133
 Angle, Mtg, Stl, .19 3.1 1.8 01.41, 2-133
 Angle, Mtg, Valve, 2-137, 2-145, 3-13
 Angle, Protector, Lh, 2-115
 Angle, Protector, Rh, 2-115
 Angle, Sppt, Fan, 2-147, 2-149
 Antenna, Telem, 70 In [Gprs], 3-69
 Arm [Positioning], 2-101
 Arm Assy, Rocker [A], 6-9
 Arm Assy, Rocker [B], 6-9
 Arm Assy, Rocker [C], 6-9
 Arm Wldt, Alternator [Mit 2013], 2-77
 Arm Wldt, Lift, Sqge, Lh, 2-131
 Arm Wldt, Safety, Sppt, Seat, .38d 06.5d, 2-17
 Arm Wldt, Safety, Sppt, Seat, .38d 10.11, 2-143
 Arm Wldt, Sqge, Lift, Rh, 2-127
 Arm, Cntrl, Pintle, Centering, 2-101
 Arm, Lever, Brake, 4.1 [Knott], 2-95
 Arm, Lift, Head [5700], 2-113
 Arm, Link, 3-11
 Arm, Pinch, 2-137, 2-145
 Arm, Pintle, 2-101
 Arm, Rocker, Valve, 5-3
 Arm, Sqge, Side, Lh, 2-131
 Arm, Sqge, Side, Rh, 2-127
 Armrest, 4-29
 Armrest, Rh, 2-17
 Axle, Wand [17b/E], 3-77

B

Bag, Power, 3-73, 3-79, 3-81
 Ball, Camshaft, 5-11
 Bar Wldt, Retainer, Sqge, Rear, 2-117
 Bar, Flat, Ss, .06 X .50 X 10.0l 2/.19sl, 2-15
 Bar, Flat, Stl 0.19, 01.50 X 04.11, 2-93
 Bar, Retainer, 3-7
 Bar, Rnd, Plstc, 0.31d 12.5l, 2-133, 2-134
 Bar, Tensioner, Mtg [Mit 2.0/2.4], 6-17
 Base Assy, Fan, W/O Pulley, 2-51
 Battery, 12vdc, 0475cca, Ah, Wet, 2-91
 Battery, Wet, 12vdc 0475cca, 1-1
 Bearing Kit [CI], 4-23
 Bearing Kit, Cshft, 1.989-1.995mm (Brown), 5-5
 Bearing Kit, Cshft, 1.989-1.995mm (Green Blue), 5-5
 Bearing Kit, Cshft, 1.995-2.001mm (Brown Blue), 5-5
 Bearing Kit, Cshft, 1.995-2.001mm (Green), 5-5
 Bearing Kit, Cshft, 2.114-2.120mm, 5-5
 Bearing Kit, Cshft, 2.120-2.126mm, 5-5
 Bearing Kit, Rod, Connecting, Std, 5-5
 Bearing, Ball, 0.98b 2.05d 0.59w, 2-103, 2-105
 Bearing, Ball, 1.18b 2.44d 0.63w, 2-95
 Bearing, Ball, 20mm B 42mm D 12mm W, 2-51, 2-77, 3-91
 Bearing, Cone, 1.38b 0.71w, 2-93
 Bearing, Cone, Pump, Hyd, 4-7
 Bearing, Cshft [Black Std 3], 6-3
 Bearing, Cshft [Green Std 3], 6-3
 Bearing, Cshft [Lan Std 1,2,4,5], 6-3
 Bearing, Cshft [Lan Std 3], 6-3
 Bearing, Cshft [No Color Std 3], 6-3
 Bearing, Cshft [Red Std 1,2,4,5], 6-3
 Bearing, Cshft [Yellow Std 3], 6-3
 Bearing, Cshft [Green Std 1,2,4,5], 6-3
 Bearing, Cshft [Yellow Std 1,2,4,5], 6-3
 Bearing, Cshft[No Color Std 1,2,4,5], 6-3
 Bearing, Cup, 4-7
 Bearing, Cup, 2.56d 0.55w, 2-93
 Bearing, Fng, 2-Hole, 0.50b, 2-19
 Bearing, Fng, 2hole, 0.50b [Nyl], 2-19
 Bearing, Oversize [1.0], 6-3
 Bearing, Pillowblock, 1.02b [Solid Pye], 2-97
 Bearing, Rlr, Cam 52 X 14 X 20, 2-119
 Bearing, Rod, Connect [Lan Std], 6-10
 Bearing, Rod, Connect [No Color Std], 6-10
 Bearing, Rod, Connect [Yellow Std], 6-10
 Bearing, Self Align, 0.75b 1.25d, 2-107, 2-113
 Bearing, Shaft, Balancer [Ovrsz], 6-3
 Bearing, Shaft, Std, Balancer, 6-3
 Bearing, Split, 1.00b, 2-97, 2-115
 Bearing, Std, Balancer, 6-3
 Bearing, Thrust, 4-9, 4-11

Bearing, Thrust, 0.53b 1.00d 0.03w, 3-11
 Bearing, Thrust, 0.75b 1.25d 0.06w, 2-119
 Bearing, Thrust, Cshft, 6-3
 Bearing, Thrust, Pump, Hyd, 4-7
 Bellows, Seat, 4-29
 Belt, Ribbed, 38.5l, 1-1, 2-51
 Belt, Ribbed, Alternator, 41.5l, 2-77
 Belt, Ribbed, Fan, 42.13l, 2-77
 Belt, Timing, 6-9, 6-11
 Belt, Timing [Gm1.6L], 5-11
 Blade, Sqge, .38 3.55w 038.3l, Linatex, 2-125
 Blade, Sqge, .38 3.55w 038.3l, Ure, 1-1
 Blade, Sqge, .38 3.55w 038.3l, Ure (Option), 2-125, 2-129
 Blade, Sqge, 300.8mml, Wand [17b/E, G], 3-77
 Blade, Sqge, 37.08l Linatex, 1-1, 2-129
 Blade, Sqge, Front [Linard], 1-1
 Blade, Sqge, Front, 49.58l Linatex, 2-117
 Blade, Sqge, Front, 49.58l Ure (Option), 2-117
 Blade, Sqge, Front, 49.59l Pyu, 1-1
 Blade, Sqge, Rear, 53.78l Pyu, 1-1
 Blade, Sqge, Rear, 53.78l Ure (Option), 2-117
 Blade, Sqge, Rear, Linatex, 1-1, 2-117
 Blade, Sqge, Side Brush, Linatex, 1-2, 3-9
 Blade, Sqge, Side Brush, Urethane, 1-2, 3-9
 Block Assy, Cylinder, 6-3
 Block, Centering, 2-115
 Block, Short, Eng, W/ Piston & Ring, 5-5
 Block, Spacer, 2-77
 Bolt, 6-7, 6-21
 Bolt, 3/8-16 X 1 1/4 Hxhd [Mit], 6-17
 Bolt, 3/8-16 X 4.5 [Mit], 6-17
 Bolt, Belt, Balancer, Train, 6-11
 Bolt, Bracket, Sensor,Cshft Position, 5-7
 Bolt, Bracket,Screen,Oil Pump,M6x1x1, 5-7
 Bolt, Camshaft Cover, 5-3
 Bolt, Cap, Bearing, 6-3
 Bolt, Carriage, M06 X 1.00 X 40, 4.6, 3-45
 Bolt, Carriage, M10 X 1.5 X 70, 2-123
 Bolt, Connecting, 6-10
 Bolt, Connecting Rod, 5-5
 Bolt, Cover, Camshaft, M6 X 1 X 22, 5-11
 Bolt, Cover, Oil Pump, M6 X 14, 5-7
 Bolt, Cover, Water Pump, 5-7
 Bolt, Eng Cover, M6 X 1 X 13, 5-11
 Bolt, Eye, .25-20 X 1.40 X .25 Eye, 2-101
 Bolt, Eye, M08 X 1.25 X 070mm, 05.50 Eye, 2-127, 2-131
 Bolt, Flange, 6-3, 6-5, 6-7, 6-9, 6-11, 6-12, 6-13, 6-15
 Bolt, Flywheel, 5-5
 Bolt, Flywheel [Mit 20/24m], 6-18
 Bolt, Head, Cyl, 5-3
 Bolt, Hsng, Thermostat, 5-3
 Bolt, M06 X 1.00 X 13mm, 5-8

CROSS REFERENCE

- Bolt, M08 X 1.25 X 25mm, 5-5
Bolt, M10 X 1.50 X 75mm, 5-5
Bolt, M10-1.25 X 20 Hxhd [Mit], 6-25
Bolt, M10-1.25 X 30 Soc Hd [Mit], 6-18
Bolt, M10-1.25 X 45 Soc Hd [Mit], 6-18
Bolt, M10-1.50 X 30 [Mit], 6-20
Bolt, M12 X 1.75 X 62mm, 5-5
Bolt, M12-1.75 X 25, Hex Hd [Mit], 6-18
Bolt, M6-1.0 X 10 Fl Hd [Mit], 6-16, 6-25, 6-29
Bolt, M6-1.0 X 12 Fl Hd PI [Mit], 6-25
Bolt, M6-1.0 X 16 Fl Hd [Mit], 6-25
Bolt, M6-1.0 X 20 Fl Hd [Mit], 6-18, 6-19
Bolt, M6-1.0 X 25 Soc Hd [Mit], 6-28
Bolt, M6-1.0 X 30 Fl Hd [Mit], 6-25
Bolt, M6-1.0 X 45, Skt Hd [Mit], 6-27
Bolt, M6-1.0 X 85 Soc Hd [Mit], 6-28
Bolt, M8-1.25 X 12 [Mit], 6-23
Bolt, M8-1.25 X 15, Hx Hd [Mit], 6-18
Bolt, M8-1.25 X 16 Fl Hd [Mit], 6-29
Bolt, M8-1.25 X 16, Soc Hd [Mit], 6-26
Bolt, M8-1.25 X 20 Fl Hd [Mit], 6-17
Bolt, M8-1.25 X 25 [Mit], 6-17, 6-21
Bolt, M8-1.25 X 25 Flg Hd [Mit], 6-23
Bolt, M8-1.25 X 25 Soc Hd [Mit], 6-17
Bolt, M8-1.25 X 55 Fi Hd [Mit], 6-9
Bolt, M8-1.25 X 65 Hxhd [Mit], 6-9
Bolt, M8-1.25 X 70 Hxhd [Mit], 6-9, 6-21
Bolt, Manifold, Inlet, 6-15
Bolt, Motor, Hyd, 4-5
Bolt, Oil Pump Screen/Camshaft Cover, 5-7
Bolt, Pan, Oil, 5-8
Bolt, Pulley, Cshft, 5-5
Bolt, Pump, Oil, 5-7
Bolt, Retainer, Camshaft, M6 X 1 X 16, 5-11
Bolt, Rocker, Cover, 6-4
Bolt, Seal, 6-9
Bolt, Sensor, Position, Cshft, 5-7
Bolt, Shield, Manifold, Exhaust, 5-9
Bolt, Shld, .31d X 1.00, .25-20, 2-101
Bolt, Shld, 1.37d X 5.131, 1.1-18 Drilled, 2-93
Bolt, Soc Head, M5 X 80 X 35, 2-37
Bolt, Sprocket, Camshaft, M10x1.25x60, 5-11
Bolt, Sprocket, Cshft, 6-10
Bolt, Tensioner [GM], 5-11
Bolt, Tensioner, Timing Belt, M8x1.25x48, 5-11
Bolt, Tube [Pvc], M6 X 1 X 15, 5-3
Bolt, Washer, 6-9, 6-10, 6-12, 6-17
Boot, .63id .29l .90w, 2-15
Boot, Bellows, 3.1l 4.4w 2.8h 1hole, Neo, 2-19
Boot, Circuitbreaker, 3-45
Boot, Switch, Ignition, 2-15
Bracket Assy, Coil, Ignition, 6-7
Bracket Kit, Alternator, Repair, 2-51
Bracket Wldt, Alternator [Mit13], 2-77
Bracket Wldt, Alternator, Lower [Gm1.6l], 2-51
Bracket Wldt, Arm, Lower Cntrl, 2-113
Bracket Wldt, Brush Wrap Mtg, Rh, 2-107
Bracket Wldt, Brush Wrap, Lh, 2-107
Bracket Wldt, Cooler, Hyd Fluid, 2-169
Bracket Wldt, Head, Lower, Lh, 2-113
Bracket Wldt, Head, Lower, Rh, 2-113
Bracket Wldt, Latch, 2-21
Bracket Wldt, Mtg [FaST Gen 2+], 3-33
Bracket Wldt, Mtg [FaST], 3-21
Bracket Wldt, Mtg, Caster, 2-123
Bracket Wldt, Mtg, Eng, 2-25
Bracket Wldt, Mtg, Eng, Back, Gas/Lpg, 2-25
Bracket Wldt, Mtg, Eng, Rear [Mit 2013], 2-65, 2-67
Bracket Wldt, Mtg, Engine [Mit 2013], 2-65, 2-67
Bracket Wldt, Mtg, Fan, Upper, 2-61
Bracket Wldt, Mtg, Hose, 2-11
Bracket Wldt, Mtg, Reg, Lpg[Gm 2010], 2-41
Bracket Wldt, Mtg, Regulator, Lpg, 2-39
Bracket Wldt, Mtg, Side Brush, 3-7
Bracket Wldt, Mtg, Side Brush Fixed, 3-9
Bracket Wldt, Mtg, Sqge, 2-123
Bracket Wldt, Mtg, Tank, 2-11
Bracket Wldt, Pivot, 2-119
Bracket Wldt, Propel, Pintle, 2-101
Bracket Wldt, Radiator, Fan, Gas/Lpg, 3-91
Bracket Wldt, Steering, Tilt, 2-19
Bracket Wldt, Tilt, Rh, 2-19
Bracket, Anchor, Strap, Alternator, 2-51
Bracket, Angle, Sppt, Shield, 2-113
Bracket, Angle, Stop, 2-119
Bracket, Axle, 1 Hole [17b/E], 3-77
Bracket, Axle, 3 Hole [17b/E], 3-77
Bracket, Coil [Mit 2.0/2.4l], 6-19
Bracket, Cover, 2-61
Bracket, Fan, Lh, 2-61
Bracket, Fan, Rh, 2-61
Bracket, Fan, Upper, Lh, 2-61
Bracket, Filter, Oil, Remote [Mit], 6-21
Bracket, Ftg, Bh, 2-57
Bracket, Guide, Shrd, 2-23
Bracket, Indicator, Timing, 6-9
Bracket, Keeper, Latch, 2-134
Bracket, Latch, Cover, 2-23, 2-134, 3-87
Bracket, Latch, Keeper [Southco], 2-23
Bracket, Latch, Shrd, Seat, 2-17
Bracket, Lift, Sqge, 2-123
Bracket, Mtg, 2-11
Bracket, Mtg [Ecu], 2-27, 2-33
Bracket, Mtg [FaST Gen 2+], 3-33
Bracket, Mtg [FaST], 3-21
Bracket, Mtg, Alternator [Mit 2013], 2-77
Bracket, Mtg, Cable, 2-97
Bracket, Mtg, Cover, Recvy Tank, 2-143
Bracket, Mtg, Cyl, 2-101, 2-127, 2-131
Bracket, Mtg, Detgt And Spray Wand, 3-5
Bracket, Mtg, Ecu, 2-37
Bracket, Mtg, Ecu [M20/T20 2007], 2-29, 2-31
Bracket, Mtg, Fan, 2-147
Bracket, Mtg, Fltr, Air, 2-43, 2-45, 2-47, 2-49
Bracket, Mtg, Fltr, Air [Mit 2013], 2-73, 2-75
Bracket, Mtg, Fuel, 2-85
Bracket, Mtg, Insulation, 2-11
Bracket, Mtg, Latch, 2-57
Bracket, Mtg, Latch, Tank Cover, 2-133, 2-134
Bracket, Mtg, Lift, Scb Head, 2-107
Bracket, Mtg, Mirror, Rearview, 3-67
Bracket, Mtg, Motor, 2-147
Bracket, Mtg, Muffler [M20/T20 2007], 2-55, 2-79
Bracket, Mtg, Prop Rod, 2-143
Bracket, Mtg, Pump, 3-79, 3-83
Bracket, Mtg, Radiator, 2-57, 2-61, 2-81
Bracket, Mtg, Scb Head, Lh, 2-107
Bracket, Mtg, Scb Head, Rh, 2-107
Bracket, Mtg, Skirt, 2-109
Bracket, Mtg, Skirt, Door, Brush, 2-125, 2-129
Bracket, Mtg, Sppt, 2-93
Bracket, Mtg, Spray Handle, 3-83, 3-85
Bracket, Mtg, Spray Wand [FaST, Conv], 3-83, 3-85
Bracket, Mtg, Spring, 2-107
Bracket, Mtg, Sqge, 3-7
Bracket, Mtg, Sqge, Disk Head (Disk Scrub Head), 2-9
Bracket, Mtg, Static Strap, 2-119
Bracket, Mtg, Strainer, 3-5
Bracket, Mtg, Tank, 2-133
Bracket, Mtg, Torque Tube, 2-113
Bracket, Mtg, Valve, 2-139, 3-3
Bracket, Mtg, Valve, Hyd, Scb, 2-173
Bracket, Mtg, Wand, 3-79, 3-81
Bracket, Muffler, 2-79
Bracket, Muffler, Hanger, Front, 2-53
Bracket, Propel, G/Lpg [Mit 2013], 2-101
Bracket, Propel, Gas/Lpg, 2-101
Bracket, Pulley, Tensioner, 6-9
Bracket, Pump, Mtg, 6-17
Bracket, Reg [1.6l], 2-33
Bracket, Retainer, Lh, 2-103
Bracket, Retainer, Pump, 3-33
Bracket, Retainer, Rh, 2-105
Bracket, Retainer, Safety, 2-101
Bracket, Retainer, Shield, Heat, 2-53
Bracket, Retainer, Spring, 2-5, 2-7
Bracket, Retaining, Hose, 2-137, 2-145, 3-87
Bracket, Retaining, Wire, Sparkplug, 5-12
Bracket, Screen, Oil Pump, 5-7
Bracket, Seat, Adj, 2-17
Bracket, Sensor, Position, Cshft, 5-7
Bracket, Shield, Heat, 2-23
Bracket, Shrd, Fan, Lower, Gas/Lpg, 3-91
Bracket, Shrd, Fan, Lower, Sppt, G/Lpg, 2-81
Bracket, Shrd, Fan, Upper, Sppt, G/Lpg, 2-81

Bracket, Shrd, Fan, Upper, Sppt, Gas/Lpg, 3-91
 Bracket, Shrd, Radiator, Gas/Lpg, Ce, 3-91
 Bracket, Skirt, Rbr, 2-61
 Bracket, Spacer, Controlbox, 3-69
 Bracket, Sppt, 2-103, 2-105
 Bracket, Sppt, Cover, Tank, Recvy, 2-143
 Bracket, Sppt, Radiator, Upper, 2-58
 Bracket, Sppt, Revl Light, 3-61, 3-63
 Bracket, Sppt, Shield, 2-119
 Bracket, Sppt, Strobe Light, 3-59
 Bracket, Spring, 2-119
 Bracket, Tensioner, [Mit 2.0/2.4], 6-17
 Bracket, Tube, Coolant, 2-63
 Bracket, Valve, Sba [M20 And T20], 3-15
 Bracket, Valve, Water, 2-141
 Bracket, Vaporizer [Mit 20/24m Tilt], 6-29
 Bracket, Wand, Handle, 3-77
 Bracket, Wand, Valve Mtg, 3-77
 Brake Assy, Drum, Mech, 07.0d 1.2w, 2-95
 Brkt, Ftg, 2-111
 Brush Assy, Disk, Scrub, 14.0 D, Polypropylene, 2-5
 Brush Assy, Disk, Scrub, 14.0 D, Soft Nylon, 2-5
 Brush Assy, Disk, Scrub, 14.0d, Super Abrasive, 2-5
 Brush Assy, Disk, Scrub, 16.0 D, Heavy Duty Polypropylene, 2-7
 Brush Assy, Disk, Scrub, 16.0 D, Super Abrasive, 2-7
 Brush Assy, Disk, Scrub, 16.0D, Nylon, 2-7
 Brush Assy, Disk, Sweep, 24.oD, Polypropylene, 2-7
 Brush, Power Wand, W/ FaSTener, Abr, 3-77
 Brush, Power Wand, W/ FaSTener, Pyp, 3-77
 Brush, Sweep / Scrub, 40L, Heavy Duty Polypropylene, 2-5
 Brush, Sweep / Scrub, 40L, Polyester, 2-5
 Brush, Sweep / Scrub, 40L, Polypropylene, 2-5
 Brush, Sweep / Scrub, 40L, Super Abrasive, 2-5
 Brush, Sweep / Scrub, 40L, Wndw, Super Abrasive, 2-5
 Bumper Kit, Hd, Ci [T20], 3-71
 Bumper Wldt, Brush, Side, 3-7, 3-9
 Bumper Wldt, Rear, 2-9
 Bumper Wldt, Rear (Replaced by 9003679), 2-9
 Bumper, Rbr, 0.5d 0.16t M5 X 08, 2-101
 Bumper, Rbr, 0.6d 0.34t .3d Tip, 2-169
 Bumper, Rbr, 1.00d 0.38th M8x1.25, 2-113
 Bumper, Sqge, 2-117
 Bumper, Ure, 1.50d 1.25l, 3-89
 Bushing, 6-3, 6-5
 Bushing, Eccentric, Adj, 2-137, 2-145
 Bushing, Flng, 0.32b 0.50d 0.24l, Bnz, 2-123
 Bushing, Flng, 0.50b 0.59d 0.38l, 2-137, 2-145

Bushing, Flng, 0.63b 0.75d 0.38l, 2-123, 2-125, 2-129
 Bushing, Flng, 1.50b 1.65d 1.00l, 2-111
 Bushing, Knock, 6-3
 Bushing, M06-1.50 X .25-27npt, 2-27, 2-33
 Bushing, Sleeve, 0.37b 0.50d 0.50l, Oib, 2-97
 Bushing, Sleeve, 0.50b 0.59d 0.50l, Bnz, 3-11
 Bushing, Sleeve, 0.62b 0.72d 0.50l, Fgl, 2-123
 Bushing, Sleeve, 0.63b 0.72d 0.38l, 2-127, 2-131
 Bushing, Sleeve, 0.75b 0.88d 0.25l, 2-137, 2-145
 Bushing, Sleeve, 0.78b 0.86d 0.93l, Bnz, 2-95
 Bushing, Sleeve, 1.00b 1.13d 1.50l, Fgl, 3-11
 Button, Cntrl, Horn, 2-19
 Bypass Valve Kit, Pump, Repair,, 4-25

C

Cable, Battery, 02ga 48.0l Red .41ring, 2-91
 Cable, Battery, 02ga 60.0l Blk .41ring, 2-91
 Cable, Battery, 2ga, 60l, Red, 2-91
 Cable, Battery, 2ga, 62l, Blk, 2-91
 Cable, Glv .06d 012.0l .26eye /.26eye, 3-89, 3-91
 Cable, Glv .09d 016.5l .38eye /.38eye, 2-21
 Cable, Glv .13d 015.8l .50eye /.50eye, 2-127, 2-131
 Cable, Push / Pull, 063.0l 4.0, .31-24, 2-97
 Cable, Push / Pull, 098.0l .25-28/.25-28, 2-99
 Cable, Ss .12d 013.3l .2clevis /.2clevis, 2-115
 Cam, 2-117
 Cam, Centering, Pintle, 2-101
 Cam, Front, 3-9
 Cam, Plt, Brake [Nickel], 2-95
 Cam, Rear, 2-117
 Cam, Sensor, Wheel [Mit 2.0/2.4], 6-25
 Camshaft, 5-11
 Camshaft Assy, 6-9
 Cap Assy, Tank, Drain, 2-143, 4-3
 Cap Screw, 4-8
 Cap Screw Cl, 4-9
 Cap, Breather, Hyd, 2.4 Ds, 1-1, 2-171
 Cap, End, Valve, Steering, 4-23
 Cap, Filler, Oil, W/ Org, 5-3
 Cap, Fuel, Tank, 2-87
 Cap, Hub, Dust 2.57d 0.77l, 2-95
 Cap, Oil, Filler, 6-4
 Cap, Radiator, 14psi [Stant Ao-2516], 2-57
 Cap, Radiator, 14Psi [Stant], 2-61, 2-81
 Cap, Rbr, 0.50id 1.18l Blk, 2-141
 Cap, Rubber, 5/8id [Mit 2.0/2.4], 6-22

Cap, Seal, 6-3
 Cap, Spring, Valve, 5-3
 Cap, Tank, 3-5
 Cap, Tank, Fuel, 2.3neck 2.6d, 2-85
 Capacitor, Plug [4700uf, 25v], 3-58
 Cartridge, Psi Cntrl, Valve, Hyd, 4-13, 4-15, 4-17
 Caster, Pivot, 2-123
 Catch, Latch, Tank Cover, 2-133, 2-134
 Channel Wldt, Guard, Sqge, 3-89
 Channel Wldt, Pivot, 3-11
 Channel, Shield, Muffler, 2-53
 Channel, Shield, Muffler [M20/T20 2007], 2-55, 2-79
 Channel, Sppt, Tank, 2-133
 Check Valve Kit, Pump, Repair,, 4-25
 Circuitbreaker, 02.0a, Resetable, 3-45
 Circuitbreaker, 2.0a, Resetable, 3-45
 Clamp Wldt, Front, 2-117
 Clamp Wldt, Rear, 2-117
 Clamp, 0.75d [Mit], 6-25
 Clamp, 1/4 Hole [Mit #20], 6-25
 Clamp, 3/8id [Mit Olive Green], 6-15
 Clamp, Cable, Nyl, 0.62D, Nat, 3-69
 Clamp, Cable, Ss, 0.50d X 0.50w [Insul], 4-27
 Clamp, Cable, Ss, 1.12d X 0.38w, 1h, 2-139
 Clamp, Cable, Ss, 2.50d X 1.00w, 1h, 2-11
 Clamp, Cable, Ss, 2.50d X 1.00w, 1hole, 2-149
 Clamp, Cable, Stil, 0.25D X 0.56W, 1Hole, 3-61, 3-63
 Clamp, Cable, Stil, 0.44d X 0.62w, 1h, 2-169
 Clamp, Cable, Stil, 0.69d X 0.62w, 1h, 2-57, 2-99, 2-143
 Clamp, Cable, Stil, 0.69d X 0.62w, 1hole, 2-39
 Clamp, Cable, Stil, 1.00d X 0.75w, 1hole, 2-75, 2-89
 Clamp, Cable, Stil, 1.25d X 1.00w, 1hole, 2-63
 Clamp, Cable, Stil, 1.50d X 1.00w, 1h, 2-11, 2-57, 2-91, 2-169, 3-21
 Clamp, Cable, Stil, 1.50d X 1.00w, 1hole, 2-9, 2-83
 Clamp, Cable, Stil, 2.00d X 0.75w, 1 Hole, 2-85
 Clamp, Cable, Stil, 2.00d X 0.75w, 1hole, 2-87
 Clamp, Hose, 1.0, 2-39, 2-41
 Clamp, Hose, 1.75 [Pcv], 5-3
 Clamp, Hose, Ear, 11-13mm, Ss, 3-75
 Clamp, Hose, Ear, 8-11mm, Ss, 3-77
 Clamp, Hose, Plstc .351-.394 Id, 3-21
 Clamp, Hose, Spring Stil, 0.58d X 0.31w, 2-69, 2-71
 Clamp, Hose, Spring Stil, 0.86d X 0.38w, 2-43, 2-45, 2-47, 2-49
 Clamp, Hose, Spring, 0.62d, 2-39, 2-41, 6-22, 6-29
 Clamp, Hose, Spring, 0.75d, 2-39, 2-41

CROSS REFERENCE

- Clamp, Hose, Wir, .52 - .56, Yel, 4-27
Clamp, Hose, Wir, .63 - .66, Blk, 4-27
Clamp, Hose, Wormdrive, 0.25-0.62d, .31w, 2-27, 2-29, 2-34, 2-39, 2-57, 2-58, 2-63, 2-83, 2-141, 3-3, 3-5, 3-33, 3-47
Clamp, Hose, Wormdrive, 0.31-0.88d, .31w, 2-29, 2-39, 2-73, 2-75, 2-85, 2-87, 2-91, 2-141, 3-13, 3-19, 3-23, 3-25, 3-27, 3-29, 3-33, 3-35, 3-37, 3-39, 3-41, 3-47, 3-49, 3-51, 3-53, 3-55, 3-79, 3-81, 3-83
Clamp, Hose, Wormdrive, 0.56-1.06d, .56w, 2-27, 2-29, 2-31, 2-34, 2-39, 2-41, 2-139, 2-141, 3-3, 3-5, 3-13, 3-23, 3-25, 3-35, 3-37, 3-39, 3-49, 3-51, 3-53, 3-79, 3-83, 3-85
Clamp, Hose, Wormdrive, 0.81-1.50d, .50w, 2-121
Clamp, Hose, Wormdrive, 0.81-1.50d, .50w (Disk Scrub Head), 2-9
Clamp, Hose, Wormdrive, 1.25-2.00D, .50W, 2-53, 2-55, 2-57, 2-63, 2-83, 3-73
Clamp, Hose, Wormdrive, 1.56-2.50d, .50w, 2-57, 2-63, 2-83
Clamp, Hose, Wormdrive, 1.81-2.75d, .50w, 2-43, 2-45, 2-47, 2-49, 2-73, 2-75
Clamp, Hose, Wormdrive, 2.50-3.50d, .50w, 2-137, 2-145
Clamp, Hose, Wormdrive, 3.56-4.50d, .50w, 2-137, 2-145, 2-147
Clamp, Hose, Wormdrive, 3.75-4.62d, .62w, 2-147
Clamp, Hyd, 0.50d, 2-103, 2-105
Clamp, Mtg, Fltr, Air, 2-43, 2-45, 2-47, 2-49, 2-73, 2-75
Clamp, Muffler, 1.62d, 2-53, 2-55
Clamp, Spring, 1.50, 2-45, 2-49
Clamp, Tension [Mit #29], 6-29
Clevis, Adj, 0.25 Pin, 0.25-28 Rh, Pl, 2-97
Clevis, Adj, 0.25 Pin, 0.25-28left Pl, 2-97
Clevis, Adj, 0.31pin, 0.31-24, 2-97
Clip, .250h, Plstc [Pine-Tree], 2-23, 2-109, 2-119, 2-125, 2-129
Clip, Grip, Finger, .875-1.25, 3-83, 3-85
Clip, Grip, Finger, 0.88-1.25d, 3-45
Clip, Grip, Finger, 1.00-1.88d White, Vyl, 3-73, 3-79, 3-81
Clip, Keeper, Open, 2-57, 2-61, 2-81
Clip, Retainer, .25d, 2-119
Clip, Wiper, 2-119
Coil, Ignition, 5-12
Coil, Ignition [Mit 2.0/2.4], 6-19
Collar, Split, 1.50b .50w 2/Bolt, 2-111
Column, Pump, Water, 4-3
Column, Steering, 09.9L 0.86D 36Tooth, 2-19
Complete Pump Kit, Pump, Repair,, 4-25
Concept, Latch, 3-91
Connector, Fem, 02cav, Mp280 Sealed, 4-25
Connector, Fuel, E90, Qf, 2-85
Connector, Fuel, Qf, 2-85, 2-87
Contact Kit, W/ Brush [En], 2-19
Control Box Assy Kit, Replmt, Telem [CAN], 3-69
Control Box Assy Kit, Replmt, Telem [USA], 3-69
Controller Kit, Replmt [Ec-H20], 4-27
Converter, Ele, 12-36 Vdc, 3-45
Cooler, Hyd, 25gpm 325btu Of12 13x12x2, 2-169
Coupler, Pump, 4-7
Coupling, Drive, 13t, 2-25
Coupling, Flywheel [Mit20/24m], 6-18
Coupling, Hose, 2-9
Coupling, Nozzle, Spray, 3-83, 3-85
Coupling, Tube, Vacuum, 2-121
Cover, 6-5
Cover Assy, Front, Upper [T-Belt], 6-7
Cover Assy, Rocker, 6-4
Cover Kit, Soltn Tank, Rh [M20 & T20], 2-133
Cover Kit, Tank, Recvy, Replmt [T20], 2-143
Cover Kit, Tank, Soltn, Lh, Replmt, 2-134
Cover Kit, Tank, Soltn, Lh, Replmt, Ce (Japan and CE Only), 2-134
Cover Kit, Tank, Soltn, Rh, Replmt, Ce (Japan and CE Only), 2-133
Cover Wldt [FaST], 3-21
Cover Wldt, Power Supply, 3-45
Cover, Backrest, 4-29
Cover, Belt, Timing, Lower Front, 5-11
Cover, Belt, Timing, Upper Front, 5-11
Cover, Cushion, 4-29
Cover, Dust [Mit 2.0], 6-18
Cover, End, 4-7
Cover, Fuse, Block, 2-91
Cover, Hose, 2-39, 2-41
Cover, Hsng, Camshaft, 5-3, 5-11
Cover, Hsng, Flywheel (Replaced By 9006895), 2-25
Cover, Lower, Front [T-Belt], 6-7
Cover, Pump, Oil, 5-7
Cover, Rear [T-Belt], 6-7
Cover, Tank, 2-143
Cover, Tank, Soltn, Lh, Trimmed, 2-134
Cover, Tank, Soltn, Rh, Trimmed, 2-133
Cover, Tank, Soltn, Rh, Trimmed (Japan and CE Only), 2-133, 2-134
Cover, Timing, Gear [Mit 2.0/2.4], 6-9
Cover, Trimmed, 3-45
Crank Kit, Pump, F/79323, Replmt, 4-24
Crankshaft, 5-5
Crankshaft Assy, 6-10
Crossmember Wldt, Lift, 2-123
Crossmember Wldt, Sqge (Disk Scrub Head), 2-9
Cuff, Swivel, 1.5 Blk, 3-75
Cup Holder, Rwk, 2-15
Cylinder Assy, Head, Bolt, 6-5
Cylinder, Hyd, 1.5b 07.8l 02.75strk 2500, 3-11
Cylinder, Hyd, 1.5b 07.8l 02.80strk 2500, 2-107, 2-127, 2-131, 3-11
Cylinder, Hyd, 1.5b, 07.8l, 02.80strk, 2500, 2-113, 2-115
Cylinder, Hyd, 2.0b, 15.2l, 09.00strk, 3000, 2-93
- ### D
- Detergent Pkg, 4 Liter, Sgl [Tco 665], 3-21
Device, Centering, Clip On, TI [Gf Pp], 2-5
Diaphragm Kit, Pump, Repair,, 4-25
Diode, Ele, Plug, 2-91
Dipstick Assy, Guage, 6-3
Dipstick, Guage, Guide, 6-3
Dipstick, Oil, 5-8
Dipstick, Rod, Guage, 6-3
Disk, Driver, Pad, W/ Face, 14.0d, 2-5
Door Wldt, Brush, 2-103, 2-105
Door Wldt, Brush, Idler, 2-103, 2-105
Door Wldt, Brush, Lh, 2-131
Door Wldt, Brush, Rh, 2-127
Drain, Water, Joint, 6-3
Drive, 4-8, 4-11
Drive [CI], 4-9
Drive, Motor, Hyd, 4-5
Driver Assy, Pad, 14 D, Brush, 2-5
Driver Assy, Pad, 14.0d, 2-5
Drum, Cable, Lift, 2-115
- ### E
- Elbow, 6-21
Elbow, 1/8m X 1/8f, 90 [Mit], 6-15
Electrode, 5 Plate, High Flow, 4-27
Electrode, Cylindrical, 4-27
Element, Fltr, Air [Dn], 1-1, 2-43, 2-45, 2-47, 2-49, 2-73, 2-75
Element, Fltr, Air, Safety (Option), 2-43, 2-45, 2-47, 2-49, 2-73, 2-75
Element, Fltr, Oil, Eng, Spin-On (GM), 1-1, 2-25, 5-8
End Cap, 4-8
End Cap, Motor, Hyd [En], 4-9, 4-11
Engine [Long Block Gm 1.6l] (See Engine Breakdown), 2-25
Engine, Gas [Mitsubishi] (See Engine Breakdown), 2-65
Engine, LPG [Mitsubishi] (See Engine Breakdown), 2-67
Extinguisher Kit, Fire, Ci [M20 And T20], 3-92
Extinguisher, Fire, 2.5 Lb Dry, 3-92
- ### F
- Fan Kit, Scrub, Replmt [M20/T20], 2-147
Fan, Cooling, 14.1d, 6 Blade, 0.5b Taper, 2-77, 3-91
Fan, Cooling, 15.5d, 6 Blade, .5b Taper, 2-51
Fan, Cooling, 16.0d, 6 Blade, 2-51

- Fan, Cooling, Pusher, 15.5D [2007], 2-51
 FaST 665 4 Ltr, Detergent, 3-33
 FaST Kit, Ci [inj Reblnd, M30/M20 III], 4-30
 FaST Kit, Ci, Injector Filters[FaST li+], 4-30
 FaST Kit, Injector [M20/T20/M30 FaST III] (See Breakdowns), 3-33
 FaST Kit, Injector [M20/T20/m30 FaST III], 4-30
 FaST Kit, Seal, injector, Ci [FaST III], 4-30
 Filter Assy [Pt4 936498], 2-171
 Filter Assy, Air, 2-43, 2-45, 2-47, 2-49, 2-73, 2-75
 Filter Assy, Air, Mold, Ure, 3-21
 Filter Assy, Hyd, 10mic, 1-1
 Filter Kit, Fuelock, Lpg, 1-1, 2-33, 2-39, 2-41, 6-29
 Filter, Foam, Rbr, 1.20d, 1.0l, 3-23, 3-25, 3-27, 3-29
 Filter, Fuel [Gm 1.6l/3.0l], 1-1, 2-85, 2-87
 Filter, In-Line, Pf06/Pf06 080mesh 02.6l, 3-33, 3-47
 Filter, In-Line, Pf06/Pf06, 80 Mesh, 3-19
 Filter, Oil (Mits), 1-1, 2-65, 2-67, 6-21
 Filter, Screen, 50 Mesh .59d .8l Ss, 3-19
 Filter, Soltn, 020mesh, Pm12 3.2d 08.0l, 3-5
 Filter, Soltn, 20mesh, Pm12 3.1d 02.6l, 1-1, 2-134
 Fitting Assy, Orifice, 0.070b, Pf04/Pf04, 3-19
 Fitting Assy, Orifice, 0.093b, Pf04/Pf04, 3-19
 Fitting Assy, Qdc, Pf04, 3-47
 Fitting Kit [Epr], 2-39, 2-41
 Fitting Kit, Hose, Garden, 3-3
 Fitting Spray Nozzle Adapter, 3-77
 Fitting, 1/2 Mpt X 5/8bh 90deg [Mit], 6-23
 Fitting, 1/2 X 5/8 Hose, Plastic[Mit], 6-29
 Fitting, 1/4mpt X 1/4mpt, 90deg[Mit], 6-29
 Fitting, 1/8 Mpt X 3/8 Hb [Mit], 6-15
 Fitting, 37deg [Mit], 6-7
 Fitting, Adapter, Orifice, Pf06/Pm06, 2-27, 2-29, 2-31, 2-41
 Fitting, Alm, Str, Bm24/Bm48, 3-73, 3-75
 Fitting, Barb, 3/4" [Epr], 6-30
 Fitting, Brs, E45, Pf02/Pm02, 2-25
 Fitting, Brs, E90, Bm06/Pm04, 2-71
 Fitting, Brs, E90, Bm08/Pm04, 3-19
 Fitting, Brs, E90, Cf03/Pf02, 3-21
 Fitting, Brs, E90, Em05/Pm04, 2-85, 2-87
 Fitting, Brs, E90, Em10/Pm06, 2-27, 2-29, 2-31, 2-34, 2-39, 2-41
 Fitting, Brs, E90, Pf04/Pm04, 2-39, 2-85, 2-89
 Fitting, Brs, E90, Pm02/Bm03, 3-5
 Fitting, Brs, Qdc, Bm04/Pf04, 3-75
 Fitting, Brs, Qdc, Bm12/Qf08, 3-3
 Fitting, Brs, Qdc, Pf04, Lpg Fem, 2-89
 Fitting, Brs, Qdc, Pf08 [Parker Bh3f], 3-3
 Fitting, Brs, Qdc, Pm04, Plug, 3-77
 Fitting, Brs, Qdc, Pm04/Qf06, 3-79, 3-81
 Fitting, Brs, Snubber, Pm02/Pf02, 3-47
 Fitting, Brs, Spcl [Garden Hose], 3-83, 3-85
 Fitting, Brs, Str, Bm04/Pm02, 3-21
 Fitting, Brs, Str, Bm05/Pm04, 2-85
 Fitting, Brs, Str, Bm06/Pm02, 2-69
 Fitting, Brs, Str, Bm06/Pm05, 2-29, 2-39
 Fitting, Brs, Str, Bm06/Pm06, 2-69, 2-71
 Fitting, Brs, Str, Bm08/Pm04, 3-19
 Fitting, Brs, Str, Em10/Pm06, 2-31, 2-41
 Fitting, Brs, Str, Pf02/Pm02 [Bspt], 2-69
 Fitting, Brs, Str, Pf02/Pm04, 3-19
 Fitting, Brs, Str, Pf02/Pm06, 3-47
 Fitting, Brs, Str, Pf04/Pf04, Bh, 2-89, 3-79, 3-81
 Fitting, Brs, Str, Pf04/Pm02, 2-27, 2-29, 2-34, 2-39
 Fitting, Brs, Str, Pf06/Pf06 Bh, 3-83, 3-85
 Fitting, Brs, Str, Pf06/Pm04, 2-31, 2-41, 2-69, 2-71
 Fitting, Brs, Str, Pf06/Pm12, 3-83, 3-85
 Fitting, Brs, Str, Pm02, Plug [Skhd], 3-77
 Fitting, Brs, Str, Pm04/Pm04, 2-85, 3-19
 Fitting, Brs, Str, Pm08/Garden Hose, 3-83, 3-85
 Fitting, Brs, Tee, Pf04/Pf04/Pf04, 3-19
 Fitting, Brs, Tee, Pf04/Pf04/Pm04, Run, 2-89, 3-33
 Fitting, Brs, Tip [75, .125k-Jet], 3-77
 Fitting, Cap, 2-33
 Fitting, Draincock, E90, .25npt, 2-27, 2-29, 2-34, 2-39, 2-57, 2-63, 2-83
 Fitting, E, Gr, 4-3
 Fitting, E70, 2-33
 Fitting, E90, 2-33, 2-37, 6-22
 Fitting, E90, M14 X .56, 2-25
 Fitting, End, Hose, 2-25
 Fitting, Fltr, Oil, 5-8
 Fitting, Fuel [Mixer E100Lp 2010], 2-37
 Fitting, Fuel, Str, 0.38-24 [07 Eng], 2-87
 Fitting, Fuel, Str, 0.56-18 [07 Eng], 2-87
 Fitting, Grease, Str Pm04 .47l, 2-107, 2-113, 2-123
 Fitting, Grease, Str Pm04 .63l, 2-93
 Fitting, Grease, Str Pm04 .47L, 2-111
 Fitting, Hose, Vacuum, .25, 2-33
 Fitting, Hyd, Cap, Jf06, 2-169
 Fitting, Hyd, Cap, Jf08, 3-15
 Fitting, Hyd, E45, Jf08/Jm08, 2-173
 Fitting, Hyd, E45, Jf10/Jm10, 2-157
 Fitting, Hyd, E45, Jm04/Om04, 3-15
 Fitting, Hyd, E45, Jm04/Om06, 2-93
 Fitting, Hyd, E45, Jm06/Om04, 2-147
 Fitting, Hyd, E45, Jm06/Om06, 2-93
 Fitting, Hyd, E45, Jm08/Om08, 2-147, 2-173, 3-15
 Fitting, Hyd, E45, Jm08/Om10, 2-149, 2-167
 Fitting, Hyd, E45, Jm10/Om12, 2-93
 Fitting, Hyd, E45, Jm12/Om16, 2-171
 Fitting, Hyd, E45, Jm20/Om20, 2-171
 Fitting, Hyd, E90, Jf04/Jm04, 2-105, 2-173, 3-15
 Fitting, Hyd, E90, Jf06/Jm06, 3-15
 Fitting, Hyd, E90, Jf08/Jm08, 2-19, 2-169
 Fitting, Hyd, E90, Jm04/Om04, 2-111, 2-115, 2-127, 2-131, 2-173, 3-11
 Fitting, Hyd, E90, Jm04/Pm02, 2-171
 Fitting, Hyd, E90, Jm06/Om04, 2-107, 2-113, 2-149, 3-11
 Fitting, Hyd, E90, Jm06/Om06, 2-19, 2-173, 3-15
 Fitting, Hyd, E90, Jm06/Om08, 2-167
 Fitting, Hyd, E90, Jm08/Om08, 2-103, 2-105, 2-111, 2-167, 2-173, 3-15
 Fitting, Hyd, E90, Jm08/Om08, L, 2-111, 2-173
 Fitting, Hyd, E90, Jm08/Om10, 3-7, 3-9
 Fitting, Hyd, E90, Jm10/Om12, 2-167
 Fitting, Hyd, E90, Jm12/Om12, 2-169
 Fitting, Hyd, E90, Jm12/Om12, L, 2-169
 Fitting, Hyd, E90, Om04/Qm04, 2-173, 3-15
 Fitting, Hyd, E90, Spcl, 2-39, 2-41
 Fitting, Hyd, Plug, Om04, 4-11, 4-15, 4-21
 Fitting, Hyd, Plug, Om06, 2-171, 2-173
 Fitting, Hyd, Plug, Om06 (Cylindrical Scrub Head), 2-171
 Fitting, Hyd, Plug, Om08, 4-7, 4-15, 4-21
 Fitting, Hyd, Plug, Om10, 2-171
 Fitting, Hyd, Plug, Pm06, 2-31, 2-41
 Fitting, Hyd, Rst, Spcl, 2-127, 2-131
 Fitting, Hyd, Str, Jf04/Qm04, 2-173, 3-15
 Fitting, Hyd, Str, Jm04/Om04, 2-103, 2-105, 2-173, 3-15
 Fitting, Hyd, Str, Jm04/Om06, 3-15
 Fitting, Hyd, Str, Jm04/Om06 (Disk Scrub Head), 2-171
 Fitting, Hyd, Str, Jm06/Om06, 2-19, 2-171, 3-15, 3-17
 Fitting, Hyd, Str, Jm06/Om06, L, 2-19
 Fitting, Hyd, Str, Jm08/Om06, 2-19
 Fitting, Hyd, Str, Jm08/Om08, 2-111, 2-167, 2-171, 3-15
 Fitting, Hyd, Str, Jm08/Om10, 2-149, 3-7
 Fitting, Hyd, Str, Jm10/Om10, 2-173
 Fitting, Hyd, Str, Jm10/Om12, 2-93
 Fitting, Hyd, Str, Jm20/Om16, 2-167
 Fitting, Hyd, Str, Om04/Qm04, 2-173, 3-15
 Fitting, Hyd, Str, Pf02/Pm04, 2-89
 Fitting, Hyd, Tee, Jf08/Jm08/Jm08, Br, 2-149
 Fitting, Hyd, Tee, Jm04/Jm04/Om04, Run, 2-111
 Fitting, Hyd, Tee, Jm08/Jm08/Om08, Br, 2-147, 2-173
 Fitting, Nipple, .25mal, 2-39, 2-41
 Fitting, Nipple, .25npt, Brs, 2-33
 Fitting, Nyl, Qdc, E90, Bm08/ Qm10, 3-33, 3-47
 Fitting, Nyl, Str, Bm04/Pm04, 3-77
 Fitting, NylY, Qdc, E90, Bm06/ Qm10, 3-33
 Fitting, Pipe, Bshg, M18 X 1.5, 2-25
 Fitting, Pipe, E45, Spcl, 2-89
 Fitting, Pipe, E90, Pf02/Pm02, 3-21
 Fitting, Pipe, Plug, 2-25

CROSS REFERENCE

- Fitting, Pipe, Plug, Metric, M18,Soc, 2-25, 2-53, 2-55
Fitting, Pipe, Plug, Pm02, Sq Head, 2-87
Fitting, Pipe, Plug, Pm08, Sq Head, 2-139
Fitting, Plstc, Body, Spray, Pf04, 3-19
Fitting, Plstc, Cap, Pf12 Hex, 2-139
Fitting, Plstc, Cap, Spray, Pf04, 3-19
Fitting, Plstc, E90, Bm04/Pm02, 3-77
Fitting, Plstc, E90, Bm05/Bm05, Nyl, 3-47
Fitting, Plstc, E90, Bm06/Bm06, 3-5, 4-27
Fitting, Plstc, E90, Bm06/Pm04, Nyl, 3-33
Fitting, Plstc, E90, Bm06/Pm12, Nyl, 3-3
Fitting, Plstc, E90, Bm08/Bm08, 2-141, 3-47
Fitting, Plstc, E90, Bm08/Pf08s, Swivel, 3-19, 3-79, 3-83
Fitting, Plstc, E90, Bm08/Pm04, 3-47
Fitting, Plstc, E90, Bm08/Pm06, 3-47, 3-83, 3-85
Fitting, Plstc, E90, Bm08/Pm12, Nyl, 3-19, 3-23, 3-25, 3-27, 3-29, 3-33, 3-47
Fitting, Plstc, E90, Bm12/Pf12, 3-5
Fitting, Plstc, E90, Bm12/Pm08, 3-3
Fitting, Plstc, E90, Bm12/Pm12, 3-3, 3-5, 3-19, 3-33, 3-47
Fitting, Plstc, E90, Pf Bm [Es Pump], 4-3
Fitting, Plstc, E90, Pf12/Pm12, 2-133
Fitting, Plstc, Pf12/Pf12, Bh, 2-133, 3-3
Fitting, Plstc, Pipe, Cap, Pf04, 3-21, 3-33, 4-27
Fitting, Plstc, Rst, .50od / .13id, 3-25
Fitting, Plstc, Str, Bm04, Cplg, Fem, 3-21, 3-33
Fitting, Plstc, Str, Bm04/Bm08, 3-47
Fitting, Plstc, Str, Bm04/Pm04, 3-47
Fitting, Plstc, Str, Bm05/Pm04, 3-47
Fitting, Plstc, Str, Bm06/Bm08, 3-51, 3-55
Fitting, Plstc, Str, Bm06/Pm04, 3-33, 4-27
Fitting, Plstc, Str, Bm06/Pm06, 3-33
Fitting, Plstc, Str, Bm08/Pm04, 3-79, 3-81
Fitting, Plstc, Str, Bm08/Pm06, 3-19
Fitting, Plstc, Str, Bm08/Pm12, 3-23, 3-25, 3-27, 3-29
Fitting, Plstc, Str, Bm10/Bm10, 2-43, 2-47
Fitting, Plstc, Str, Bm12/Bm12, 2-139
Fitting, Plstc, Str, Bm12/Pm08, Nyl, 3-3, 4-3
Fitting, Plstc, Str, Bm12/Pm12, 2-139, 2-141
Fitting, Plstc, Str, Pf06/Qm10, Pvc, 3-47
Fitting, Plstc, Str, Pm02/Bm05, 4-27
Fitting, Plstc, Str, Pm04, Cplg, Mal, 3-21, 3-33
Fitting, Plstc, Str, Pm04/Pm06, Nyl, 3-47
Fitting, Plstc, Str, Pm08/Pm08, 3-3
Fitting, Plstc, Str, Pm12/Pm12 1.60l, 3-3, 3-19, 3-33, 3-47
Fitting, Plstc, Tee, Bm04/Bm04/Bm04, 3-33
Fitting, Plstc, Tee, Bm04/Bm08/Bm08, Br, 3-19
Fitting, Plstc, Tee, Bm06/Pm02/Bm06, 4-27
Fitting, Plstc, Tee, Bm08/Bm08/Bm08, 3-19, 3-29, 3-41, 3-55
Fitting, Plstc, Tee, Bm08/Bm12/Bm12, Br, 3-23, 3-25, 3-35, 3-49, 3-51, 3-79, 3-83
Fitting, Plstc, Tee, Bm10/Bm10/Bm10, 2-31, 2-41
Fitting, Plstc, Tee, Bm12/Bm12/Bm12, 2-139, 3-13
Fitting, Plstc, Tee, Pf08/Pf08/Pf08, 3-3
Fitting, Plstc, Tee, Pf12/Pf12/Pf12, 3-3, 3-19, 3-33, 3-47
Fitting, Plstc, Y, Bm08/Bm08/Bm08, Nyl, 3-25, 3-29, 3-33, 3-37, 3-41, 3-51, 3-55, 3-81, 3-85
Fitting, Plug, 2-25
Fitting, Plug, M16, Intake Manifold, 2-29, 2-31, 2-37
Fitting, Plug, Org, #6, Valve [Cec], 4-13, 4-15, 4-17, 4-19, 4-21
Fitting, Stl, Qdc, Bm04, 3-75
Fitting, Str, 2-33
Fitting, Str, .19brb X .12mpt, 2-27
Fitting, Str, 10-10 Orb, 37fi [Mit], 6-21
Fitting, Str, E90, .25npt, 2-33
Fitting, Vacuum [M16-15-6h], 2-27, 2-29, 2-31, 2-37
Flange, 4-11
Flange Mounting, 4-8
Flange, Motor, Hyd [En], 4-9
Flange, Sprocket, Cshft, 6-11
Flap, Battery, 2-15
Flapper, Valve, Pump, Water, 4-3
Flywheel, 5-5
Flywheel, Flatface [Mit 20/24m], 6-18
Frame Wldt, Hpr, 2-119
Frame Wldt, Main, Replmt [M20 & T20], 2-9
Frame Wldt, Screen, Rad, 3-91
Frame Wldt, Sqge, Lh, 2-129
Frame Wldt, Sqge, Rh, 2-125
Frame Wldt, Sqge, Side Brush, 3-7
Fuelline, .31d Str/Str, Plstc, 2-85, 2-87
Fuelline, .31d Str/Str, Plstc [Mit 2013], 2-87
Fuelline, .31d Str/Str,Plstc[M20/T20 07], 2-87
Fuse, 015a, 2-91
Fuse, 10 Amp, 2-223
Fuse, 15 Amp, [Min-15], 2-223
Fuse, 20 Amp, [Min-20], 2-223
Fuse, 5 Amp, [Min-5], 2-223
Fuse, 50amp, 2-223
Fuse, 60 Amp, 2-223
- G**
- Gasket, 2-33, 6-5
Gasket Kit, Repair, Gas [Gm1.6l 2007], 2-29, 2-31
Gasket Kit, Repair, Lpg [Gm1.6l 2007], 2-37
Gasket, .25 1.88d 1.0id [Poron], 4-3
Gasket, 2.00, 07.87w 10.24l, Adh, 2-149
Gasket, 3.23ld 3.63Od .16Th, Ure, 2-143
Gasket, 4.05ld 5.29Od .19 [Buna], 4-3
Gasket, Body, Throttle [1.6l], 2-29, 2-31
Gasket, Case, Front, 6-12
Gasket, Cover, Fuse Block, 2-91
Gasket, Cover, Hsng, Camshaft, 5-3
Gasket, Cover, Rocker, 6-4
Gasket, Cylinder, Head, 6-5
Gasket, Exhaust, 2hole, 3.4bc, 2-53, 2-55, 2-79
Gasket, Flng, Pipe, Exhaust, 2-53, 2-55
Gasket, Foam, .50, 14.76id 16.54od, Adh, 2-149
Gasket, Head, Cyl, 5-3
Gasket, Lid, 2-143
Gasket, Manifold, Exh [Mit], 6-16
Gasket, Manifold, Exhaust, 5-9, 6-16
Gasket, Manifold, Intake, 2-27, 2-29, 2-31, 2-33, 5-9, 6-15
Gasket, Oil, Adapter [Mit 2.0/2.4], 6-21
Gasket, Oil, Filler, Cap, 6-4
Gasket, Pan, Oil, 5-8
Gasket, Plt, Hose, Vacuum, 2-147
Gasket, Plug, Drain, Oil, 6-7
Gasket, Plug, Relief Valve, Oil Press, 2-25, 5-7
Gasket, Pump, Oil, 5-7
Gasket, Pump, Water, 6-13
Gasket, Screen, 6-7
Gasket, Sender, Fuel, 2-87
Gasket, Sogge, 1-1, 2-117
Gasket, Tank, Recvy, 2-143
Gasket, Throttle [Mit 40mm], 6-27, 6-28
Gasket, Tube [Pcv], 5-3
Gasket, Water [Mit 2.0/2.4l], 6-22
Gasket, Water Supply [Mit 2.0/2.4l], 6-23
Gasspring, 180lb, 03.Ostrk, 2-17
Gauge, Sensing, Level, 2-171
Gear, Drive, Oil Pump, 5-7
Gear, Ring, Drive, Oil Pump, 5-7
Gear, Ring, Starter, 5-5
Geroler, Motor, Hyd, 4-5
Gerotor Set, 4-8
Gerotor Set [CI], 4-9
Gerotor, Motor, Hyd, 4-11
Grill Wldt, Front, 2-21
Grill, Eng, 2-23
Grill, Side, 2-17
Grip, Handle, 2-137, 2-145
Grip, Handle, .50d 4.0l Yel, 2-119
Grip, Handle, 1.0d 1.5l Blk (Disk Scrub Head), 2-9
Grip, Handle, 1.25D 1.50L Blk, 2-9
Grommet, 0.38id, F/0.6h, .06 Matl, 3-77
Grommet, Blind, 4-27
Grommet, Pye, 0.37id, F/1.5h, .13 Matl, 3-5
Grommet, Rbr, 0.20id, F/0.4h, .12 Matl, 2-27, 2-33
Grommet, Rbr, 0.38id, F/0.5H, .12 Matl, 3-69
Grommet, Rbr, 0.50id, F/0.8h, .12 Matl, 3-64, 3-65

Grommet, Rbr, 0.62id, F/0.9h, .06 Matl, 3-45
 Grommet, Rbr, 0.62id, F/0.9h, .12 Matl, 3-5
 Grommet, Rbr, 2.13id, F/2.5h, .12 Matl, 3-19, 3-33
 Guard Kit, Sqge, Ci [T20], 3-89
 Guard Kit, Switch, Float, Replmt [T20], 2-143
 Guard Wldt, Brush, Side, 3-13
 Guard Wldt, Pntd [M20/T20], 3-89
 Guard Wldt, Sqge Rep.BY1039069, 3-89
 Guard Wldt, Sqge [M20/T20 LH, M30 RH], 3-89
 Guard Wldt, Sqge [M20/T20 RH, M30 LH], 3-89
 Guard Wldt, Sqge [M20/T20/M30], 3-89
 Guard Wldt, Switch, Float, 2-143
 Guard Wldt, Top, Ohg, 3-67
 Guard, Fan, Side, 2-77
 Guide, Rlr, 2-119

H

Handle Wldt, Drain, 2-143
 Handle Wldt, T, Hppr, 2-121
 Handle Wldt, Wand, 3-77
 Handle, Valve, Pinch, Lh, 2-145
 Handle, Valve, Pinch, Rh, 2-137
 Hanger, Engine, 6-15
 Harness [FaST, M20 And T20], 3-31
 Harness, Eng [1.6l, Gm, E-cntrl], 2-223
 Harness, Headlight [M20 And T20], 2-218
 Harness, Injector, Gas [1.6l,Gm,E-cntrl], 2-223
 Harness, Injector, Lpg [1.6l,Gm,E-cntrl], 2-223
 Harness, Jumper [Deutsch To Mpack], 4-19, 4-21
 Harness, Main [T20], 2-217
 Harness, Manifold, Gas, 2-87
 Harness, Spray, Nozzle, 3-79, 3-83
 Harness, Warning / Backup [M20 & T20], 3-59, 3-61, 3-63
 Harness, Warning / Ohg [M20], 3-64, 3-65
 Harness, Wire [Ec-H2o, Mako, 2.0l & Dsl], 3-58
 Harness, Wire [Ec-H2o], 3-58
 Harness, Wire [FaST Gen 2], 3-43
 Harness, Wire, Eng, Gas [Mit, 2.0L], 2-223
 Harness, Wire, Eng, Gas [GM 1.6L 10], 2-223
 Harness, Wire, Eng, Gas [Gm 1.6L], 2-223
 Harness, Wire, Eng, Gas [Mit, 2.0l], 6-25
 Harness, Wire, Eng, Lpg [Gm 1.6l 10], 2-223
 Harness, Wire, Eng, Lpg [Gm 1.6l], 2-223
 Harness, Wire, Eng, Lpg [Mit, 2.0l], 6-25
 Harness, Wire, Eng, Lpg [Mit, 2.0L], 2-223
 Harness, Wire, Gas/Lpg [Eng Adapt], 2-224

Harness, Wire, Gas/Lpg [Telemetry], 3-70
 Head Assy, Cylinder, 6-5
 Head Wldt, Disk, Replmt, Jp (Japn Only), 2-111
 Head Wldt, Disk, Std, Replmt, 2-111
 Head Wldt, Swing, Lower, 14.0, 2-111
 Head, Cyl, 5-3
 Head, Wand [17b/E], 3-77
 Headlight, 12vdc, 27watt, 2.1a, Oval (Rpl by 1060942), 2-9
 Headlight, 12Vdc, Oval, Halogen, 2-9
 Hinge Kit, Cover, Tank, Recvy, Replmt, 2-143
 Hinge Wldt, Door, 2-17, 2-23
 Hinge Wldt, Shrd, Lh, 2-23
 Hinge Wldt, Shrd, Rh, 2-17
 Hinge, .38pin .11 3.5w 06.0l 6/0.38sl, 2-21
 Hinge, .50pin .19 4.0w 06.0l 3/0.44sl, 2-127, 2-131
 Horn, 12vdc, DbA [Wolo], 2-91
 Hose [Epr To Manifold], 2-39, 2-41
 Hose [Mixer To Epr], 2-39
 Hose [Pcv], 5-3
 Hose Assy, Sqg, 2-143
 Hose Assy, Upper, Tap [Mit], 6-29
 Hose Assy, W/1cuff, 1.0d, 030l 1.25/, 2-121
 Hose Assy, W/2cuff, 1.5d 90l 1.5/1.5, 3-73
 Hose Assy, W/2cuff, 3.0d 14l 3.0/3.0, 2-117
 Hose Assy, Wand, Power, 3-75
 Hose Kit, Coolant, Replmt [Mitsubishi], 2-83
 Hose Kit, Hyd, Sqge Lift [T20], 2-165
 Hose, 170mm [Ftv-Ptv], 2-33
 Hose, 355mm [Fl-Vrp], 2-33
 Hose, 9.5mm X 290mm [Pcv], 2-33
 Hose, 9.5mm X 450mm [Pcv], 2-27
 Hose, 90x90, Filter, Oil, Remote[Mit], 6-21
 Hose, 90xstr, Filter, Oil, Remote[Mit], 6-21
 Hose, Afmkt, Coolant Recvy, 05ft, 2-57, 2-63, 2-83
 Hose, Afmkt, Pvc, Brd 0.38id 02ft, 3-5
 Hose, Afmkt, Pvc, Brd 0.50id 02ft, 3-23, 3-27
 Hose, Afmkt, Pvc, Brd 0.50id 03ft, 3-19
 Hose, Afmkt, Pvc, Brd 0.50id 08ft, 3-19, 3-25, 3-29
 Hose, Afmkt, Pvc, Brd 0.62id 01ft, 3-5
 Hose, Afmkt, Pvc, Brd 0.62id, 01Ft, Clr, 3-5
 Hose, Afmkt, Pvc, Brd 0.75id 03ft, 2-141
 Hose, Afmkt, Pvc, Brd 0.75id 08ft, 2-139, 2-141, 3-13
 Hose, Afmkt, Pvc, Brd 0.75id 12ft, 3-3
 Hose, Afmkt, PVC, Brd, 0.31Id, 03Ft, Clr, 3-47, 4-27
 Hose, Afmkt, Pvc, Brd, 0.38id, 01ft, Clr, 4-27
 Hose, Afmkt, Pvc, Brd, 0.38id, 02ft, Clr, 3-51, 3-55, 4-27
 Hose, Afmkt, Pvc, Brd, 0.38id, 03ft, Clr, 3-33

Hose, Afmkt, Pvc, Brd, 0.50id, 01ft, Clr, 3-47
 Hose, Afmkt, Pvc, Brd, 0.50id, 02ft, Clr, 3-47
 Hose, Afmkt, Pvc, Brd, 0.50id, 08ft, Clr, 3-35, 3-37, 3-39, 3-41, 3-51, 3-53, 3-55
 Hose, Afmkt, Pvc, Brd, 0.50id, 12ft, Clr, 3-49, 3-79, 3-81, 3-83, 3-85
 Hose, Afmkt, Pvc, Brd, 0.75id, 02ft, Clr, 3-33
 Hose, Afmkt, Pvc, Brd, 0.75id, 08ft, Clr, 3-35, 3-39, 3-49, 3-53
 Hose, Afmkt, Pvc, Clr 0.25id 03ft, 3-21
 Hose, Afmkt, Pvc, Clr 0.50id 08ft, 3-25, 3-29
 Hose, Afmkt, Pvc, Clr, 0.25id, 02ft, 3-33
 Hose, Afmkt, Pvc, Clr, 0.25id, 03ft, 3-47
 Hose, Afmkt, Pvc, Clr, 0.38id, 01ft, 3-33
 Hose, Afmkt, Pvc, Clr, 0.38id, 03ft, 3-33
 Hose, Afmkt, Pvc, Clr, 0.50id, 08ft, 3-37, 3-41, 3-55
 Hose, Afmkt, Pvc, Wir, 0.50id, 03ft, Clr, 3-33
 Hose, Afmkt, Rbr, Heater, 0.38id, 03ft, 2-69, 2-71
 Hose, Afmkt, Rbr, Heater, 0.62id, 02ft, 2-31, 2-41
 Hose, Afmkt, Vacuum, 0.16id, 01ft, 3-5
 Hose, Balancing, Press, 045mm, 2-33
 Hose, Balancing, Press, 680mm, 2-33
 Hose, Coolant, Mold, 1.25id To 1.62id, 2-63
 Hose, Coolant, Molded [Mit 20/24m], 6-29
 Hose, Coolant, Upper, Mold [Mit 2013], 2-83
 Hose, Drain, 3.00id X 48.0l, 2-137, 2-145
 Hose, Drain, Eng Oil, 2-25
 Hose, Drain, Oil [Mit 20/24m], 6-7
 Hose, Drain, Overflow, Radiator [1pick=1ft], 2-73, 2-75
 Hose, Flex, 4.00d, 24.0l, 2-147
 Hose, Fuel [Mixer To Epr, 22.5"l], 2-41
 Hose, Fuel, 0.31id [Evap Emission 07], 2-87
 Hose, Fuel, .19, 2-27
 Hose, Fuel, .38d, Rbr [16"l], 6-15
 Hose, Fuel, 0.18id, 29.0l, 2-63, 2-83
 Hose, Fuel, 0.31id 12.0l, 2-85
 Hose, Fuel, 0.31id 24.0l, 2-85
 Hose, Fuel, 0.50id 21.0l, 2-85
 Hose, Fuel, 0.50id, 21.0l, 2-87
 Hose, Fuel, Molded [Mit 20/24m], 6-29
 Hose, Heater, 2-27, 2-29
 Hose, Heater, 0.38id, 2-29, 2-39
 Hose, Heater, 0.62id, 024.0l, 2-31
 Hose, Heater, 0.62id, 038.0l, 2-41
 Hose, Heater, E90, 0.62id 07.0 2.0, 2-43, 2-47
 Hose, Heater, E90, 0.62id, 24.0 4.0, 3-37, 3-51, 3-55
 Hose, Hyd, 26.0l, 2-25

CROSS REFERENCE

Hose, Hyd, Med04, Jf04e90/Jf04str, 016.0, 2-161	Hose, Hyd, Tc06, Jf06str /Jf06str, 23.0, 3-17	Hose, Lpg, Med05, Pm04str/Sm04str, 14.0l, 2-89
Hose, Hyd, Med06, Jf06e90/Jf06str, 042.0, 2-159	Hose, Hyd, Tc06, Jf06str/Jf06str, 033.0, 3-17	Hose, Lpg, Med05, Pm04str/Sm04str, 55.0l, 2-89
Hose, Hyd, Med06, Jf06e90/Jf06str,038.0, 3-17	Hose, Hyd, Tc06, Jf06Str/Jf06Str, 054.0, 2-161	Hose, Mold, .62 To .75, 2-33
Hose, Hyd, Med06, Jf06str/Jf06str, 033.0, 2-159	Hose, Hyd, Tc08, Jf08E45/Jf08Str, 026.0, 2-159	Hose, Mold, .62 To .75 (Cut in 2), 2-39
Hose, Hyd, Med08, Jf08e45/Jf08str, 046.0, 2-163	Hose, Hyd, Tc08, Jf08e45/Jf08str, 052.0, 2-163	Hose, Pvc, Brd, 0.25id 0.44od 157.2l,Clr, 3-75
Hose, Hyd, Med08, Jf08e90/Jf08str, 062.0, 2-159	Hose, Hyd, Tc08, Jf08e45/Jf08str, 26.0, 2-159	Hose, Pvc, Clr, 0.38id 0.56od 22.00l, 2-27, 2-34, 2-57
Hose, Hyd, Med08, Jf08str /Jf08e45, 21.0, 2-159	Hose, Hyd, Tc08, Jf08e45/Jf08str, 96.0, 2-157	Hose, Pvc, Clr, 0.38id 0.56od 48.00l, 3-3, 3-5
Hose, Hyd, Med08, Jf08str/Jf08str, 022.0, 2-161	Hose, Hyd, Tc08, Jf08e90/Jf08str, 020.0, 2-163	Hose, Pvc, Clr, 0.38id 0.56od 022.0l, 2-29, 2-39, 2-63, 2-83
Hose, Hyd, Med10, Jf10str/Jf10str, 41.0, 2-159	Hose, Hyd, Tc08, Jf08e90/Jf08str, 034.0, 3-17	Hose, Pvc, Clr, 0.50id 0.69od 26.00l, 3-13
Hose, Hyd, Med12, Jf12e90/Jf12str, 50.0, 2-159	Hose, Hyd, Tc08, Jf08e90/Jf08str, 046.0, 2-159	Hose, Pvc, Clr, 0.50id 0.69od 30.00l, 2-91
Hose, Hyd, Med12, Jf12e90/Jf12str, 029.0, 2-159	Hose, Hyd, Tc08, Jf08e90/Jf08str, 084.0, 3-17	Hose, Pyu, 0.25id 0.38od 1220mml, Blk, 3-77
Hose, Hyd, Med12, Jf12str/Jf12str, 052.0, 2-159	Hose, Hyd, Tc08, Jf08e90/Jf08str, 13.0, 2-161	Hose, Radiator, Lower, Mold, 2-57, 2-63
Hose, Hyd, Med12, Jf12str/Jf12str, 066.0, 2-159	Hose, Hyd, Tc08, Jf08str/Jf08e90, 012.0, 3-15	Hose, Radiator, Mold, .75ld X .62ld (Cut in two), 2-31
Hose, Hyd, Spcl, Jf10e45/Jf10str, 58.0 (Replaced by 1039148), 2-157	Hose, Hyd, Tc08, Jf08str/Jf08e90, 031.0, 2-159	Hose, Radiator, Upper, Mold, 2-57
Hose, Hyd, Spcl, Jf10e90/Jf10str, 63.0, 2-157	Hose, Hyd, Tc08, Jf08Str/Jf08Str, 021.0, 2-159	Hose, Rbr, 2.00id 2.50od 05.0l, 2-43, 2-47
Hose, Hyd, Spcl, Jf10str/Jf10str, 56.5, 2-157	Hose, Hyd, Tc08, Jf08Str/Jf08Str, 034.0, 3-17	Hose, Rbr, E90 1.25id 1.25id 04.2 03.1, 2-57
Hose, Hyd, Suc20, Jf20Str/Jf20E90, 030.0, 2-159	Hose, Hyd, Tc08, Jf08str/Jf08str, 040.0, 2-163	Hose, Rbr, E90, 1.25id 1.25id 04.2 03.1, 2-63, 2-83
Hose, Hyd, Tc 06, Jf06str /Jf06e45, 56.0, 2-161, 2-163	Hose, Hyd, Tc08, Jf08str/Jf08str, 21.0, 2-159	Hose, Supply, Gas, .25id, 2-39, 2-41
Hose, Hyd, Tc04, Jf04e45/Jf04str, 044.0, 2-165	Hose, Hyd, Tc08, Jf08str/Jf08str, 48.0, 2-161	Hose, Vacuum, 0.22id X 15.0l, 2-29, 2-31, 2-37
Hose, Hyd, Tc04, Jf04e45/Jf04str, 048.0, 2-165	Hose, Hyd, Tc12, Jf12e90/Jf12str, 044.0, 2-159	Hose, Vacuum, 1.50id X 10ft, Gray, 3-75
Hose, Hyd, Tc04, Jf04E45/Qm06, 024.0, 2-165	Hose, Hyd,Med04, Jf04str/Jf04str, 066.0, 2-157	Hose, Valve, Press Trim, 350mm, 2-33
Hose, Hyd, Tc04, Jf04E45/Qm06, 028.0, 2-165	Hose, Hyd,Tc 04, Jf04str /Jf04e45 , 35.0, 2-165	Hose, Vent, E90, 0.62id[Gm1.6l 2007], 2-45, 2-49
Hose, Hyd, Tc04, Jf04e90/Jf04str, 020.0, 2-161	Hose, Intake, Mold [Epdm Mit 2013], 2-73, 2-75	Hose, Water, Coil, 0.38id 0.56od, 3-83, 3-85
Hose, Hyd, Tc04, Jf04str /Jf04str, 20.0, 3-17	Hose, Intake, Mold, 2.00id [Epdm], 2-43, 2-45, 2-47, 2-49, 2-73, 2-75	Housing, 4-7
Hose, Hyd, Tc04, Jf04str /Jf04str, 39.0, 3-17	Hose, Intake, Mold, 2.00id, Gas [Epdm], 2-43	Housing Assy, Vacfan, Scrbr, 2-147
Hose, Hyd, Tc04, Jf04str/Jf04str, 036.0, 2-163	Hose, Intake, Mold, 2.00id, Lpg [Epdm], 2-47	Housing Kit, Drive, Front, Replmt, 2-93
Hose, Hyd, Tc04, Jf04Str/Qm06, 028.0, 2-165	Hose, Intake, Mold, 2.0id [Epdm M20/T20], 2-45, 2-49	Housing Kit, Pump, Water, 4-3
Hose, Hyd, Tc06, Jf06e90/Jf06str, 040.0, 2-157	Hose, Intake, Mold, 2.0id, Gas, 2-45	Housing Wldt, Brush, Drive, 2-103, 2-105
Hose, Hyd, Tc06, Jf06e90/Jf06str, 104.0, 2-157	Hose, Intake, Mold, 2.0id, Lpg, 2-49	Housing Wldt, Swp, Scb, 2-107
Hose, Hyd, Tc06, Jf06str /Jf06e45, 54.0, 2-161, 2-163	Hose, Intake, Mold, 2.0id, Lpg [Gm 2010], 2-49	Housing Wldt, Vacfan, Front [528], 2-147
Hose, Hyd, Tc06, Jf06str /Jf06e90, 74.0, 3-17	Hose, Intake, Mold, Gas [Epdm Mit 2013], 2-73	Housing, Bottom, 4-27
	Hose, Intake, Mold, Lpg [Epdm Mit2013], 2-75	Housing, Brg, Motor, Hyd, 4-5

Hub, Drive, Brush, Disk, 1.00b [6t], 2-111, 3-7, 3-9
 Hub, Drive, Brush, Disk, 3Hole 5.8Bc, 2-5, 2-7
 Hub, Drive, Brush, Disk, 3hole 5.8bc[6t], 2-5, 2-7

I

Idler Assy, Brush, Replmt [M20/T20, M30], 2-103, 2-105
 Impeller, 11.81d X 0.500b, 2-149
 Impeller, 9.5d, 18 Bl, 2-147
 Indicator, Press, 60psi, 2-171
 Injector Kit, Fuel, Gas, 2-27
 Insert, :Lrg [Venturi, FaST III], 4-30
 Insert, Cap, Mount, Es Pump, 4-3
 Insert, Cplg, Qm, Bm08, 3-47
 Insert, Plt, Cam, Pump, Hyd, 4-7
 Instr, Maint, Wall Chart [T20], 3-93
 Instr, Motor, Hyd, Repair [En], 4-9, 4-11
 Instr, Repair, Motor, Hyd, Gear, 4-5
 Instr, Repair, Pump, 4-7
 Instr, Seal Kit, Motor, 4-10
 Instr, Valve, Steering, Repair, 4-23
 Instr. Repair Info, Motor, 4-8
 Insulation, 3-67
 Insulation, Acstc, Rnd, 0.8, 02.5d 0.5h, 2-19
 Insulation, Flame-Retardant, 0.5, 2-23, 2-85, 2-87
 Insulation, Flame-Retardant, 0.50, 2-147
 Insulation, Flame-Retardant, 0.75-0.88, 2-13, 2-17, 2-147
 Insulation, Flame-Retardant, 1.0, 2-17
 Insulation, Shrd, Eng, Gusset, 2-23
 Insulation, Thermal, Hydraulic Blanket, 2-171
 Isolator, 6-25, 6-29
 Isolator [Epr], 2-39, 2-41
 Isolator, Box, Relay, 2-29, 2-31, 2-37, 2-69, 2-71
 Isolator, Mtg, Vaporizer, Rbr, 2-33
 Isolator, Rbr, 2-53, 2-55, 2-79
 Isolator, Vib, .50d, 2-25, 2-65, 2-67
 Isolator, Vib, Bshg, 1.1d 0.6l .4b 0.78h, 2-57, 2-61, 2-81, 2-147, 2-149

K

Key, 6-10
 Key-Wdruff 0.25 1.00, 4-8
 Key, Ignition [Set Of 2], 1-1, 2-15
 Key, Motor, Hyd, 4-5
 Key, Shaft, Pump, Hyd, 4-7
 Key, Sq, 0.12 X 0.12, 0.50l, 2-51, 2-77
 Key, Sq, 0.12 X 0.12, 0.75l, 4-10
 Key, Sq, 0.12 X 0.12, 1.00l (Included With Motor), 2-147
 Key, Sq, 0.25 X 0.25, 1.25l, 2-103, 2-105
 Key, Valve Stem, 5-3

Key, Woodruff, 0.25 1.00 [Asa#0808], 4-9, 4-11
 Kit, Bellows, Pump, Detgt, 4-24
 Kit, Brush, Motor, Ele, 4-3
 Kit, Seal, Motor, Hyd, 4-5
 Kit, Seal, Motor, Hyd, Gear[Barns], 2-147, 4-10
 Kit, Seal, Valve, Hyd [Cec], 4-10
 Kit, Valve, Check, Pump, Water, 4-3
 Knob Assy, Star, 1.12d 3ear M10, 2-123
 Knob, Rnd, 1.04d 1.18l .25-20 Yel Plstc, 2-119
 Knob, Star, 2.80d 4ear 1.1l .31-18 Pyp, 2-117
 Knob, Tee, 2.5x1.0 1.1l 0.38-16 Plstc, 2-19
 Knobs, Adjmt, Weight, 4-29

L

Label [User, Attention, ec-H2O], 2-226
 Label Kit, Panel, Replmt [T20 ec-H2O only], 2-15
 Label Kit, Panel, Replmt [T20], 2-15
 Label Set, Brush Indicator & Removal, 2-226
 Label Set, Hi Temp, 2-226
 Label Set, Info/Hzrd, Swpr / Scrbr, 2-226
 Label Set, Info/Hzrd, Swpr / Scrbr, Tj (Japan Only), 2-226
 Label, Caution [Apply Parking Brake], 2-226
 Label, Caution [Apply Parking Brake] (Japan Only), 2-226
 Label, Logo, 05.75L 2Color [ES], 2-226
 Label, Logo, 07.95L 2Color [FaST], 2-226
 Label, Logo, 12.3L 4Color [ec-H2O], 2-226
 Label, Logo, 16.9L 4Color [ec-H2O], 2-226
 Label, Model, 2Color [T20], 2-226
 Label, Switch, Rocker [T20], 2-15
 Lamp Strobe, Amb [12-48 Vdc], 3-63, 3-65
 Lamp, 12vdc [Speaker], 2-9
 Lamp, Bulb, Flsh, 3-61, 3-64
 Lamp, Bulb, Strobe, 3-63, 3-65
 Lamp, Flasher, Amb [12-48 Vdc], 3-61, 3-64
 Lamp, Halogen [Speaker], 2-9
 Latch, 2-17, 2-57, 2-103, 2-105, 2-119, 2-133, 2-134, 3-87
 Latch Assy, Mtg, Tank, Lpg, W/Nut, 2-89
 Latch Kit, Cover, Soltn, Replmt[M20/T20], 2-133, 2-134
 Latch Kit, Disk, Replmt [T20], 2-111
 Latch Wldt, Head, Disk, 2-111
 Latch, Cover, 2-134
 Latch, Door [Southco 91-562-07], 2-23, 2-125, 2-129
 Latch, Hook, 2-127, 2-131
 Lens, Blue, Option, F/ Revl / Flsh Light, 3-61, 3-63, 3-64, 3-65
 Lens, Lamp, Amb, Strobe/Flasher, 3-61, 3-63, 3-64, 3-65

Lens, Red, Option, F/ Revl / Flsh Light, 3-61, 3-63, 3-64, 3-65
 Light Kit, Flsh, Ci [M20 And T20], 3-61
 Light Kit, Flsh, W/Ohg, Ci[M20 And T20], 3-64
 Light Kit, Revl, Ci [M20 And T20], 3-63
 Light Kit, Revl, W/Ohg, Ci [M20 And T20], 3-65
 Light, Led, .312D, 2 Volt [Tri-Color] (ec-H2O only), 2-15
 Light, Panl, 14vdc, , 1.1 X 1.0, 2-15
 Light, Tail, 12vdc, 2-9
 Link Assy, Rod-End, M12, 2-115
 Link, .25 1.4w 3.2l 2/5h, 3-89
 Lip Kit, Debris, Replmt [T20], 2-119
 Lock-Off, 12v, Lpg [Mit], 6-29
 Lock, Secondary, 2cav, Mp280 Sealed, 4-25
 Loom, Convolved, Split 5/8 [Mit], 6-15

M

Magnet, Drive Brush, 2-89
 Maint Kit, 400hr [M20/T20/M30 Lpg 2010], 1-1
 Maint Kit, 800hr [M20/T20/M30 Lpg 2010], 1-1
 Maint Kit, Gas, 400hr[M20/T20], 1-1
 Maint Kit, Gas, 800hr[M20/T20], 1-1
 Maint Kit, Lpg, 400hr[M20/T20], 1-1
 Maint Kit, Lpg, 800hr[M20/T20], 1-1
 Manifold Assy, Cntrl, Soltn, 2-141
 Manifold Wldt, Cntrl, Soltn, 2-141
 Manifold, Bar, Spray, 37.5inch, 2-139
 Manifold, Exhaust, 5-9
 Manifold, Exhaust [Mit 2.0/2.4], 6-16
 Manifold, Gas, Relief, Valve, 2-87
 Manifold, Intake [1.6], 2-27, 2-29, 2-31, 2-33, 2-37
 Manifold, Intake [Mit 20/24m Tilt], 6-15
 Manifold, Water, 3-47
 Manual, Eng, Cd-Rom [Tier II,GM1.6L], 3-93
 Manual, Oprtr [T20 Gas/Lpg En], 3-93
 Manual, Oprtr [T20 Gas/Lpg Es], 3-93
 Manual, Oprtr [T20 Gas/Lpg Fr], 3-93
 Manual, Parts [T20 Gas/Lpg En/Jp], 3-93
 Manual, Service [T20 En], 3-93
 Manual, Service, Cd-Rom [Mit2.0], 3-93
 Manual, Service, Eng [Gm1.6], 3-93
 Manual, Service, Eng[Gm1.6l Em Cert], 3-93
 Mat, Floor, 2-11
 Media, Cd-Rom, Training [ec-H2O Tennant], 3-93
 Mirror, Convex, 0.50D, 3-67
 Mixer [E100lp], 2-37, 6-30
 Mixer, Lpg [Gm 1.6], 2-33
 Mixer, W/70deg Ftg, 2-37
 Module Kit, Replmt [Ec-H20], 4-27
 Module Kit, Replmt [Ec-H20] (See Breakdowns), 3-45
 Module, Ecu, Gas [Gm 1.6], 2-27

CROSS REFERENCE

Module, Ecu, Gas [Gm1.6l 2010], 2-31
Module, Ecu, Gas [Gm1.6l 2700], 2-29
Module, Ecu, Gas [Mit 2.0l 2013], 6-25
Module, Ecu, Lpg [Gm 1.6l], 2-33
Module, Ecu, Lpg [Gm1.6l 2007], 2-37
Module, Ecu, Lpg [Gm1.6l 2010], 2-37
Module, Ecu, Lpg [Mit 2.0l 2013], 6-25
Molding, Afmkt, Trim, Pvc, .08 .11, 01Ft, 3-45
Molding, Afmkt, Trim, Pvc, .08 .11, 1ft, 2-11
Molding, Trim, Pvc, .08-.11 06.8l, 2-81
Molding, Trim, Pvc, .08-.11 13.2l, 2-87
Motor Kit, Pump, Repair,, 4-25
Motor Kit, Replmt [M20&T20], 2-147
Motor, Ele, 12vdc, Pump, Water, 4-3
Motor, Ele, Gear, 14vdc, Pump, Detgt, 4-24
Motor, Hyd Gear In 4.5 B 1500, 4-8
Motor, Hyd, Gear, [Int], 19.0 X 3000, 4-5
Motor, Hyd, Gear, Ext 0.17 Lh 3000, 2-149
Motor, Hyd, Gear, Ext 0.19 Rh 3000, 4-10
Motor, Hyd, Gear, Int 04.5 Bi-Dir 1500, 2-103, 2-105
Motor, Hyd, Gear, Int 04.5 Bi-Dir 1500 (See Breakdowns), 2-103, 2-105
Motor, Hyd, Gear, Int 08.9 Bi-Dir 2500, 3-9, 4-9
Motor, Hyd, Gear, Int 08.9 Bi-Dir 2500 (See Breakdowns), 3-7, 3-9
Motor, Hyd, Gear, Int 09.7 Bi-Dir 2500, 2-111, 4-11
Motor, Hyd, Gear, Int 09.7 Bi-Dir 2500 (See Breakdowns) (Replaced by 1068924), 2-111
Motor, Hyd, Gear, Int 19.0 Bi-Dir 3000 (See Breakdowns), 2-93
Mount Wldt, Eng, Gas/Lpg, 2-25
Mount Wldt, Valve, Pinch, Lh, 2-145
Mount Wldt, Valve, Pinch, Rh, 2-137
Mount, Fltr, Remote, 6-21
Muffler, Catalytic [Gm 1.6l], 2-53
Muffler, Catalytic [Gm 1.6l 2007], 2-55
Muffler, Catalytic [Gm 1.6l 2010], 2-55
Muffler, Catalytic [Mit 2.0l 2013], 2-79
Muffler, Short [Non-Catalytic Gm1.6/3.0], 2-53

N

Nozzle, 3-83, 3-85
Nozzle kit, Spray, Ci [T20], 3-83
Nozzle Kit, Spray, W/Pwr Wand, Ci [T20], 3-85
Nozzle, Spray, Gun, 3-83, 3-85
Nozzle, Wand, Plstc, 14.0lg, 3-73
Nut, 6-9, 6-10
Nut-Hxslot .75-16 Pltd, 4-8
Nut, Adj, Mtg, Tank, Lpg, 2-89
Nut, Coil, F/#8, 4-13, 4-15, 4-17, 4-19, 4-21
Nut, Coil, Nyl Patch, 4-17, 4-19
Nut, Flange, 6-13

Nut, Flng, M05-0.8, 2-37, 6-30
Nut, Flng, M8, 6-15, 6-16, 6-19, 6-21, 6-22
Nut, Hex, Flng, M6 X 1.00, 2-61, 2-77, 2-81
Nut, Hex, Flng, M8 X 1.25, 2-39, 2-41, 2-169
Nut, Hex, Jam, .31-24, 2-97
Nut, Hex, Jam, .50-20, 2-107, 3-11
Nut, Hex, Jam, .50-20, Lh, 2-107
Nut, Hex, Jam, M10 X 1.5, Ss, 2-51, 2-89
Nut, Hex, Jam, M20 X 1.5, 2-19
Nut, Hex, Lock, .25-20, NI, 2-85, 2-87, 2-147
Nut, Hex, Lock, .25-20, NI, Ss, 2-99, 2-101
Nut, Hex, Lock, .31-18, NI, 2-17, 2-51
Nut, Hex, Lock, .31-18, NI, Thin, 2-17
Nut, Hex, Lock, .38-16, NI, Ss, 2-89, 3-11
Nut, Hex, Lock, .38-16, NI, Thin, 2-89, 2-101, 2-147
Nut, Hex, Lock, .50-13, NI, Ss, 2-123
Nut, Hex, Lock, .50-13, NI, Thin, 2-107
Nut, Hex, Lock, .50-20, NI, Thin, 2-107
Nut, Hex, Lock, .75-10, NI, 2-93
Nut, Hex, Lock, #08-32, NI, 2-15
Nut, Hex, Lock, M10 X 1.5, NI, 2-57, 2-61, 2-81, 2-89, 2-169, 3-67, 3-89
Nut, Hex, Lock, M10 X 1.5, NI, Ss, 2-123
Nut, Hex, Lock, M10 X 1.5, NI, Ss (Disk Scrub Head), 2-9
Nut, Hex, Lock, M12 X 1.75, NI, Ss, 2-107, 2-113, 2-115, 2-119
Nut, Hex, Lock, M12 X 1.75, NI, 2-25, 2-65, 2-67, 2-95
Nut, Hex, Lock, M4 X 0.7, NI, 2-17, 2-23, 2-58, 3-21
Nut, Hex, Lock, M4 X 0.7, NI, Ss, 2-23, 2-101, 2-125, 2-129, 3-3
Nut, Hex, Lock, M4 X 0.70, NI, 3-91
Nut, Hex, Lock, M4 X 0.70, NI, Ss, 3-45
Nut, Hex, Lock, M5 X 0.8, NI, 2-17, 2-27, 2-33, 2-91
Nut, Hex, Lock, M5 X 0.8, NI, Ss, 2-103, 2-105, 2-139, 3-13, 3-19, 3-25, 3-29
Nut, Hex, Lock, M5 X 0.80, NI, 3-45, 3-69, 3-79, 3-83
Nut, Hex, Lock, M5 X 0.80, NI, Ss, 3-37, 3-41, 3-51, 3-55, 3-59, 3-61, 3-63, 3-64, 3-65, 3-87
Nut, Hex, Lock, M6 X 1.0, NI, 2-17, 2-19, 2-21, 2-27, 2-33, 2-43, 2-47, 2-57, 2-91, 2-97
Nut, Hex, Lock, M6 X 1.0, Ss, NI, 2-15, 2-53, 2-139
Nut, Hex, Lock, M6 X 1.00, NI, 2-11, 2-45, 2-49, 2-61, 2-73, 2-75, 2-81, 3-91
Nut, hex, Lock, M6 X 1.00, NI, Ss, 3-69
Nut, Hex, Lock, M6 X 1.00, Ss, NI, 2-109, 2-111, 2-113, 2-115, 2-119, 2-121, 2-141, 2-143, 3-3, 3-79, 3-81

Nut, Hex, Lock, M8 X 1.25, NI, 2-9, 2-11, 2-23, 2-43, 2-45, 2-47, 2-49, 2-51, 2-57, 2-63, 2-73, 2-75, 2-77, 2-81, 2-83, 2-85, 2-87, 2-89, 2-91, 2-97, 2-101, 2-127, 2-131, 3-15, 3-91
Nut, Hex, Lock, M8 X 1.25, NI, Ss, 2-53, 2-55, 2-57, 2-63, 2-79, 2-101, 2-103, 2-105, 2-107, 2-111, 2-115, 2-117, 2-119, 2-121, 2-123, 2-125, 2-129, 2-133, 2-137, 2-145, 2-149, 3-7, 3-13, 3-15
Nut, Hex, M10 X 1.5 [Stover], 2-53
Nut, Hex, M10 X 1.50 [Stover], 2-53, 2-55, 2-79
Nut, Hex, Sltld, .75-16, 2-95, 2-103, 2-105
Nut, Hex, Sltld, 1.12-18, 2-93
Nut, Hex, Sltld, M20 X 2.5, 8, 2-103, 2-105
Nut, Hex, Std, .25-20, 2-29, 2-31, 2-37, 2-69, 2-71
Nut, Hex, Std, .25-28, 2-97, 2-99
Nut, Hex, Std, .25-28, Lh, 2-97
Nut, Hex, Std, .31-18, 2-51, 3-67
Nut, Hex, Std, .38-16, 2-55, 2-79
Nut, Hex, Std, M12 X 1.75, Ss, 2-127, 2-131, 2-149
Nut, Hex, Std, M16 X 2.0, 2-21
Nut, Hex, Std, M5 X 0.8, 8, 2-25, 2-101
Nut, Hex, Std, M6 X 1.00, 8, 3-45
Nut, Hex, Std, M8 X 1.25, 2-11, 2-51
Nut, Hex, Std, M8 X 1.25, Brs, 2-25
Nut, Hex, Std, M8 X 1.25, Ss, 2-113, 2-127, 2-131
Nut, Hex, Stover, M8, 2-79
Nut, Hex, Stover, M8 X 1.25, 2-61
Nut, Isolator, .38-16 Wall Th .015-.437, 3-79, 3-81
Nut, Low Crown, .50-20, 2-147
Nut, M10-1.25 Flg [Mit], 6-16, 6-18
Nut, M10-1.25, Hx Flg [Mit], 6-25
Nut, M6-1.0 Flange [Mit], 6-25, 6-29
Nut, M8-1.25 [Mit], 6-15
Nut, Manifold, Exhaust, M8 X 1.25, 5-9
Nut, Motor, Hyd, 4-5
Nut, Solenoid, 4-13, 4-15, 4-17, 4-19, 4-21
Nut, Strainer, 6-7
Nut, T, M10 X 1.50 X 15.8od X 13.0l, 2-125, 2-129
Nut, T, M4 X 0.70, 2-5
Nut, T, M8 X 1.25 X 14.5od X 9.5l, 3-7
Nut, Thumb, M6 X 1.0, 30d, 3-77
Nut, Wheel, .50-20 X 60 Angle, 2-93

O

O-Ring, 6-3, 6-5, 6-12
O-Ring [Mit 208 Buna-N], 6-22, 6-23
Ohg Kit, Ci [M20 And T20], 3-67
Oil, Hyd [EI, Iso 100, 01gal], 1-2
Oil, Hyd [EI, Iso 100, 05gal], 1-2
Oil, Hyd [EI, Iso 32, 01gal], 1-2
Oil, Hyd [EI, Iso 32, 05gal], 1-2
Oil, Hyd [EI, Iso 68, 01gal], 1-2
Oil, Hyd [EI, Iso 68, 05gal], 1-2

Outlet, Water, W/Plug [Mit 2.0/2.4], 6-22

P

Pad, Armrest, 4-29
 Pad, Buff, 14.0d, Red, 2-5
 Pad, High Productivity Stripping, 14.0d, Blk, 2-5
 Pad, Pedal, Brake, 3.96l 2.36w 0.75, 2-97
 Pad, Polish, 14.0d, White [1pad=1pc], 2-5
 Pad, Scb, 14.0d, Blu [1pad=1pc], 2-5
 Pad, Stripping, 14.0d, Brown [1pad=1pc], 2-5
 Pad, Surf Prep, 14.0D Maroon, [1PICK=1PAD], 2-5
 Pad, Tank, Hyd [W/Psa], 2-169, 2-171
 Paint, Airdry, Blk, 12oz, 1-2
 Paint, Airdry, Gray, 12oz [Enamel], 1-2
 Paint, Airdry, Iron Gray, 12oz[Pwdr Coat], 1-2
 Paint, Airdry, Off-White, 12oz, 1-2
 Paint, Airdry, Teal, 12oz, Solid, 1-2
 Pan, Oil, 6-7
 Pan, Oil, W/ Baffle / Plug / Seal, 5-8
 Panel Kit, Instrmt, Replmt [T20 ec-H20 only], 2-15
 Panel Kit, Instrmt, Replmt [T20], 2-15
 Panel Wldt, Adj, 2-11
 Panel Wldt, Adj [2007], 2-11
 Panel Wldt, Filler, 2-9
 Panel Wldt, Gas, Replmt, 2-11
 Panel Wldt, Gas, Replmt [W/Fast], 2-11
 Panel Wldt, Gas, Replmt, TJ (Japan only), 2-11
 Panel Wldt, Gas, Replmt, TJ [W/Fast] (Japan only), 2-11
 Panel Wldt, Gas, Replmt, TJ, W/Es (Japan only), 2-11
 Panel Wldt, Gas, W/ Es, Replmt, 2-11
 Panel Wldt, LPG, Replmt, 2-11
 Panel Wldt, LPG, Replmt [W/Fast], 2-11
 Panel Wldt, LPG, Replmt, TJ (Japan only), 2-11
 Panel Wldt, LPG, Replmt, TJ [W/Fast] (Japan only), 2-11
 Panel Wldt, LPG, Replmt, TJ, W/Es (Japan only), 2-11
 Panel Wldt, LPG, Replmt, W/Es, 2-11
 Panel Wldt, Shrd, Fan, 2-57
 Panel, Access, Debris Tray, 2-121
 Panel, Access, Door, 2-11
 Panel, Access, Floor, 2-11
 Panel, Instrmt, Rh, Gas, Replmt, 2-15
 Panel, Instrmt, Rh, Lpg, Replmt, 2-15
 Panel, Instrmt, Rh, Lpg, Replmt, CE/TJ (Japan only), 2-15
 Pawl, Str, 2-103, 2-105
 Pedal, Brake, Lock, 2-97
 Pedal, Propel, 2-99
 Pin Kit, Wheel, Ci [M20/T20/M30], 2-9, 3-13
 Pin Wldt, 3-11
 Pin Wldt, Front, 2-117, 3-9

Pin Wldt, Lift (Replaced By 9003478), 2-123
 Pin, 0.63d 01.8l, 1/M10h, 2cham, 2-123
 Pin, 30mmd X 215mml, 2-9, 3-13
 Pin, Clevis, 0.19d X 0.63l, 2-115
 Pin, Clevis, 0.25d X 0.75l, 2-97
 Pin, Clevis, 0.25d X 2.44l, 2-115
 Pin, Clevis, 0.31d X 0.75l, 3-7
 Pin, Clevis, 0.31d X 1.00l, 2-97
 Pin, Clevis, 0.37d X 1.31l, 3-11
 Pin, Clevis, 0.37d X 1.50l, 3-11
 Pin, Clevis, 0.37d X 1.75l, 2-107, 2-113, 2-127, 2-131, 3-11
 Pin, Clevis, 0.37d X 2.00l, 2-115
 Pin, Clevis, 0.50 D X 4.50l, 2-99
 Pin, Clevis, 0.50d X 2.50l, 2-115
 Pin, Clevis, 0.62d X 2.12l, 2-113
 Pin, Clevis, 0.75d X 2.00l, 2-107, 2-113
 Pin, Cotter, .062 X 0.50, 2-97
 Pin, Cotter, .062 X 0.75, 2-115
 Pin, Cotter, .094 X 1.00, 2-97, 2-113, 2-115, 3-7, 3-11
 Pin, Cotter, .094X0.75, 2-115
 Pin, Cotter, .125 X 1.00, 2-99, 2-127, 2-131
 Pin, Cotter, .125 X 1.25, 2-103, 2-105, 2-113
 Pin, Cotter, .125 X 2.00, 2-93
 Pin, Cotter, .156 X 1.25, 2-107
 Pin, Cotter, .156 X 2.00, 2-95
 Pin, Cotter, Hair, 0.31d .058 Wir, 2-17
 Pin, Cotter, Hair, 0.38d .072 Wir, 2-107, 2-113, 2-115
 Pin, Cotter, Hair, 1.00d .178 Wir, 2-9, 3-13
 Pin, Cotter, Hair, Dbl, 2-9, 3-13
 Pin, Dowel, 6-3, 6-9, 6-10, 6-12
 Pin, Dowel, Pump, Hyd, 4-7
 Pin, Flywheel [Mit 20/20m], 6-18
 Pin, Grvd, 0.43d 01.8l [303ss], 2-117, 3-9
 Pin, Hitch, .375d X 3.12l, Pl, 3-7, 3-9, 3-89
 Pin, Lift, Drain, 2-143
 Pin, Locating, Lpg, 2-89
 Pin, Lock, Cyl Head, 14mm X 17mm, 5-3, 5-5
 Pin, Lock, Transmission, 5-5
 Pin, Locking, Steering, Tilt, 2-19
 Pin, Retainer, 2-33
 Pin, Ring, Lock, Hsng, Water Pump, 5-7
 Pin, Roll, .187d X 1.62l, .187/.192, 2-9, 3-13
 Pin, Spring, 6-9
 Pin, Valve, Steering, 4-23
 Pipe Kit, Exhaust, Replmt [M20.T20, M30], 2-55
 Pipe, Exhaust, Flex [Mit 2013], 2-79
 Piston Set, Ring, 6-10
 Piston, Pin [Std A], 6-10
 Piston, Pin [Std B], 6-10
 Piston, Pin [Std C], 6-10
 Piston, Pump, Hyd, Gear, 4-5
 Piston, W/ Pin, Std, 5-5
 Pivot Wldt, Brush, Side, 3-11
 Plate Assy, Orifice, 0.0105ld, Green, 4-30

Plate Kit, Repair, 2-25
 Plate Wldt, Fan, Hub [Gm 1.6l], 2-51
 Plate Wldt, Hose, Vacuum, 2-147, 2-149
 Plate Wldt, Mtg, 3-45
 Plate Wldt, Mtg, Fan, 2-149
 Plate Wldt, Retainer, Sqge, 3-9
 Plate Wldt, Seat, 2-17
 Plate Wldt, Shaft, Fan [Shaft Extended], 2-77
 Plate Wldt, Wrap, Brush, 2-107
 Plate, Backing, Brake, 2-95
 Plate, Bmpr, Lh, 3-71
 Plate, Bmpr, Rh, 3-71
 Plate, Cam, 4-7
 Plate, Cover, 4-7
 Plate, Cover, Screen, 3-91
 Plate, Door, Clean-Out [Mit2013], 2-81
 Plate, Guard, Belt [Gm 1.6l], 2-25
 Plate, Guard, Fan Shrd, Gas/Lpg, Replmt, 2-57
 Plate, Handle, 2-103, 2-105
 Plate, Hook, Latch, 3-87
 Plate, Hsng [FaST], 3-19
 Plate, Inspection, 3-45
 Plate, Label, Soltn Tank (ec-H20 only), 2-134
 Plate, Mtg [Epr], 6-29
 Plate, Mtg, Ecu [Mit 2.0/2.4l], 6-25
 Plate, Mtg, Latch, 2-133, 2-134
 Plate, Mtg, Light, 2-15
 Plate, Mtg, Prop Rod, 2-143
 Plate, Mtg, Pump, 3-45
 Plate, Mtg, Relay, 2-29, 2-31, 2-37
 Plate, Mtg, Seal, 2-21, 2-57
 Plate, Mtg, Skirt, Scb Head (Replaced by None), 2-109
 Plate, Mtg, Valve, 3-25, 3-29, 3-37, 3-41, 3-51, 3-55
 Plate, Orifice, 0.070id, 3-19
 Plate, Orifice, 0.093id, 3-19
 Plate, Seal, Sound, 2-23
 Plate, Shield, Dust, 2-77
 Plate, Shield, Heat, Gas/Lpg, Replmt, 2-53, 2-55
 Plate, Skirt, Front, 2-109
 Plate, Spacer, Motor, Hyd [En], 4-9, 4-11
 Plate, Sppt, 2-97, 2-115
 Plate, Stop, Brake, 2-97
 Plate, Tensioner, Adj [Mit 2.0/2.4l], 6-17
 Plate, Valve, Motor, Hyd, 4-5
 Plate, Valve, Pump, Hyd, 4-7
 Plate, Water, Outlet [Mit Bypass], 6-23
 Plate, Wear, Steering Valve, 4-23
 Plug, 4-5, 6-3
 Plug #10, 4-8
 Plug #4, 4-8
 Plug Assy [Ci], 4-23
 Plug Kit, Drain, Recvy, Ci [M20 & T20], 2-143
 Plug Wldt, Drive, Brush, 2-103, 2-105
 Plug Wldt, Drive, Brush, Sweep, 2-103, 2-105
 Plug, .12npt, Ss, 2-29, 2-31, 2-33, 2-37

CROSS REFERENCE

Plug, 1/8 Npt, Brs, Skt Hd [Mit], 6-15
Plug, 1/8npt, Brs [Mit], 6-30
Plug, 3/8npt X 5/16, Brs [Mit], 6-21
Plug, Bore, Valve, Relief, Oil Press, 5-7
Plug, Cap, 6-12
Plug, Drain, Expandable, 4.75-6.00, 2-143
Plug, Drain, Oil Pan, M14 X 1.5 X 12, 5-8
Plug, Flare, 37deg [Mit], 6-7
Plug, Hole, Coolant, Eng Block, 5-5
Plug, Hole, Core, Eng Block, 5-8
Plug, Hole, Injector, 2-33, 2-37
Plug, Hole, Rnd, 0.50h .03-.12, Blk Nyl, 2-15
Plug, Hole, Rnd, 0.81h, Blk, 2-11
Plug, Hole, Rnd, 0.88h .03-.12, Blk Nyl, 2-11
Plug, Hole, Rnd, 1.00h .03-.12, Blk Nyl, 2-11
Plug, Hole, Rnd, 1.25H .03-.12, Blk Nyl, 2-17
Plug, Hole, Rnd, 2.50h .03-.25, Blk Nyl, 2-11
Plug, Hole, Rt, Rocker Switch, .87 X 1.7, 2-15
Plug, Hole, Soltn Tank, Blk Pyu, 2-133
Plug, Hose, Pyu, 2-137, 2-145
Plug, Hsng, Oil Pump, 5-7
Plug, Injector [Mit], 6-15
Plug, Manifold, Intake, 2-27, 2-29, 2-31, 2-33, 2-37
Plug, Oil, Drain, 6-7
Plug, Orifice, 0.060, Ss [FaST li+], 4-30
Plug, Orifice, Valve, Hyd, .040, 4-13, 4-17, 4-19
Plug, Orifice, Valve, Hyd, .046, 4-15, 4-21
Plug, Orifice, Valve, Hyd, .063, 4-15, 4-21
Plug, Port, Sensor [Map], 2-27, 2-29, 2-31, 2-33, 2-37
Plug, Pump, Hyd, Gear, 4-5
Plug, Restrictor, 3-51
Plug, Rsestricor, 3-55
Plug, Rubber, 6-7
Plug, Spark, 1-1, 6-19
Plug, Taper, 6-3
Plug, Tapper, 6-12
Poppet, Pump, Hyd, Gear, 4-5
Pouch, 3-47
Pulley Assy, Damper, Torsional, 6-10
Pulley, Idler, 6-9
Pulley, Pump, Water, 6-13
Pulley, Tension, Belt, Timing, 5-11
Pulley, Tensioner, 6-9
Pulley, Tensioner, Assy[Mit2.0/2.4], 6-17
Pump Assy, Column, Es, 4-3
Pump Assy, Column, Es (See Breakdowns), 3-5
Pump Kit, Hyd, Rotating [Cessna], 4-7
Pump Kit, Mtg, Aux, Ci [M20 & T20], 2-167
Pump, Diaphragm, 4-25
Pump, Air, Ele, 12vdc, 3-21
Pump, Detgt, 12vdc, 3-21
Pump, Detgt, 14vdc, 150ml/Min 20psi, 4-24

Pump, Detgt, 14vdc, 150ml/Min 20psi (See Breakdowns), 3-3
Pump, Diaphragm, 3-79, 3-83
Pump, Fuel, 2-87
Pump, Fuel, Hi Press [Gm 1.6l/3.0l], 2-85
Pump, Gear, Drive, Oil, 6-12
Pump, Gear, Oil, 6-12
Pump, Hyd, Piston, Var, 1.24 4000, Cw, 4-7
Pump, Hyd, Piston, Var, 1.24 4000, Cw (See Breakdowns), 2-167
Pump, Oil, 5-7, 6-12
Pump, Soltn, 13.7vdc, 65psi [FaST li+], 3-33
Pump, Soltn, Ele, 12vdc [W/O Chk Valve], 3-19
Pump, Soltn, Ele, 13.7vdc, 12/28psi, 3-45
Pump, Water, 6-13
Pump, Water [Gm], 5-7

Q

Qd36Gasket, Body, Throttle [1.6l], 2-27

R

Race Thrust, 4-8
Race, Brg, Pump, Hyd, 4-7
Rad Screen Kit, Replmt [M/T20, M30 G/Lp], 3-91
Radiator, 2-58
Radiator (Replaced by 1045316), 2-58
Radiator, W/ Hyd Cooler [Side X Side], 2-61, 2-81
Rail, Injector, Fuel, Plstc, 2-29, 2-31
Rail, Injector, Gas, W/ Press Reg, 2-27
Receptacle, Lamp [Speaker], 2-9
Regulator, 6-29
Regulator [Ep], 2-39, 2-41
Regulator, Lpg, 2-33
Regulator, Press, Electronic [Epr], 6-30
Relay, 12vdc, 20a, Spdt, 2-223
Relay, 12vdc, 40a, Spdt, 2-223
Relay, 12vdc, 40a, Spdt N/O, 2-91, 3-19
Relay, 12vdc, 040a, Spdt No, 3-33, 3-45, 3-79, 3-83
Repair Kit, Mixer, 2-37, 6-30
Repair Kit, Vaporizer, 6-29
Reservoir, Hyd, 10.0Gal, Replmt, 2-171
Resistor, Ele, Plug [430, 2w], 3-58
Restrictor, Jet, Coolant, 2-33
Retainer, Boot, Steering Column, 2-19
Retainer, Camshaft, 5-11
Retainer, Motor, Hyd, 4-5
Retainer, Ring, Brake, 2-95
Retainer, Skirt, 2-109
Retainer, Skirt, Disk Head, 2-113
Retainer, Skirt, Front, 2-109
Retainer, Sparkplug, 2 Way, 5-12
Retainer, Sparkplug, 3 Way, 5-12
Retainer, Sqge, 3-7
Retainer, Sqge, Side, Lh, 2-129

Retainer, Sqge, Side, Rh, 2-125
Retainer, Sqge, Wand [17b/E], 3-77
Ring Kit, Piston, Std 78.95-79.02mm, 5-5
Ring, Lock, 4-7
Ring, Motor, Hyd, 4-5
Ring, Mtg, Sqge, .50l, 2-117
Ring, Retainer, Steering Valve, 4-23
Ring, Retaining, 4-7, 6-17
Ring, Retaining, Ext, 0.38d, [E-Ring], 2-117, 2-123, 3-9
Ring, Retaining, Ext, 0.50d, Hd, 2-19
Ring, Retaining, Ext, 0.62d, Hd, 2-123
Ring, Retaining, Ext, 0.98d, [E-Ring], 2-97
Ring, Retaining, Ext, 1.00d, Basic, 2-103, 2-105
Ring, Retaining, Pump, Hyd, 4-7
Rivet, Blind [S2500 Drvblock], 3-77
Rivet, Blind, .125d X 0.54 X .25d, Alm, 2-133, 2-134
Rivet, Plstc, .250 X 0.898, 3-73
Rivet, Plstc, .250d X 0.898, 2-19
Rivet, Plstc, .250d X 0.90, 3-47, 3-79, 3-81
Rod, 2-97
Rod Assy, Connecting, 6-10
Rod-End, .25-28rh Fem 0.25b [Teflon], 2-99
Rod-End, .50-20lh Fem 0.50-20stud, 2-107
Rod-End, .50-20rh Fem 0.50b, 2-107
Rod-End, .50-20rh Mal 0.50b, 3-11
Rod, Connecting, M08 X 45, 5-5
Rod, Hanger, Isolator, 2-55, 2-79
Rod, Latch, 2-119
Rod, Thrd, 2 End, .50-20 04.9l, Rh / Lh, 2-107
Roller, Brg, 2-137, 2-145

S

Screen, Oil, 6-7
Screen, Oil Pump, W/ Suc Pipe, 5-7
Screen, Pump, 3-5
Screen, Vacuum, 2-143
Screw, 2-39, 2-41, 4-8, 6-5, 6-12
Screw, Adj, Valve, Hyd, 5-3
Screw, Btn, M8 X 1.25 X 16, Ss, 3-13
Screw, Btn, M8 X 1.25 X 20, Blk, 2-125, 2-129, 2-137, 2-145, 3-87
Screw, Btn, M8 X 1.25 X 25, Ss, 3-7
Screw, Btn, M8 X 1.25 X 40, Ss, 2-121
Screw, Cap, 4-7
Screw, Cap, Motor, Hyd, 4-5, 4-11
Screw, Flt, .25-20 X 1.00, Al, 2-147
Screw, Flt, .38-16 X 0.75, Al, 2-51
Screw, Flt, .38-16 X 1.00, Al, 2-51
Screw, Flt, .38-16 X 1.50, Al, 2-147
Screw, Flt, M10 X 1.5 X 25, 10.9, 2-125, 2-129
Screw, Flt, M8 X 1.25 X 25, 2-23
Screw, Flt, M8 X 1.25 X 30, Ss, 2-137, 2-145
Screw, Flt, Soc, .38-16 X 1.00, Al, 2-77

Screw, Hex, .25-10 X 0.75, Fmg/a, Ss, 2-143	Screw, Hex, M12 X 1.75 X 30, 8.8, 3-11	Screw, Hex, M6 X 1.00 X 25, 9.8 Sems, 2-15, 2-45, 2-49, 2-61, 2-73, 2-75, 2-81
Screw, Hex, .25-20 X 0.50, 5, 2-25	Screw, Hex, M12 X 1.75 X 30, Ss, 2-9, 2-119	Screw, Hex, M6 X 1.00 X 25, 9.8, Sems, 3-91
Screw, Hex, .25-20 X 0.50, G5, 2-29, 2-31, 2-37, 2-69, 2-71	Screw, Hex, M12 X 1.75 X 35, 8.8, 2-65, 2-67	Screw, Hex, M6 X 1.00 X 25, Ss, 2-143
Screw, Hex, .25-20 X 0.75, G5, 2-29, 2-31, 2-37	Screw, Hex, M12 X 1.75 X 40, 8.8, 2-95, 2-107, 2-113	Screw, Hex, M6 X 1.00 X 35, 8.8, 2-29, 2-31, 2-37
Screw, Hex, .25-20 X 1.00, 5, 3-7, 3-9	Screw, Hex, M12 X 1.75 X 40, Ss, 2-119	Screw, Hex, M6 X 1.00 X 35, Ss, 3-45
Screw, Hex, .25-20 X 1.00, G5, 2-111	Screw, Hex, M12 X 1.75 X 50, 8.8, 2-9	Screw, Hex, M8 X 1.25 X 110, Ss, 2-117, 3-15
Screw, Hex, .25-20 X 1.75, Ss, 2-99	Screw, Hex, M12 X 1.75 X 55, Ss, 2-119, 2-127, 2-131	Screw, Hex, M8 X 1.25 X 120, 8.8, Fl, 2-77
Screw, Hex, .25-20 X 2.25, Ss, 2-99	Screw, Hex, M12 X 1.75 X 60, 8.8, 2-25, 2-65, 2-67, 2-113	Screw, Hex, M8 X 1.25 X 130, 8.8, 2-103, 2-105
Screw, Hex, .31-18 X 1.75, 5, 2-51	Screw, Hex, M16 X 2.0 X 90, 8.8, 2-21	Screw, Hex, M8 X 1.25 X 16, 8.8, 2-51, 2-77, 2-143, 3-11
Screw, Hex, .31-18 X 4.50, 5, 2-51	Screw, Hex, M4 X 0.7 X 12, 8.8, 3-21	Screw, Hex, M8 X 1.25 X 16, Ss, 2-103, 2-105
Screw, Hex, .31-24 X 0.75, NI, 2-101	Screw, Hex, M4 X 0.7 X 20, 8.8, 3-79, 3-81	Screw, Hex, M8 X 1.25 X 20, 8.8, 2-11, 2-17, 2-21, 2-23, 2-43, 2-47, 2-51, 2-61, 2-63, 2-77, 2-83, 2-85, 2-87, 2-89, 2-93, 2-97, 2-147
Screw, Hex, .38-16 X 0.75, G5, 2-51	Screw, Hex, M4 X 0.70 X 10, Ss, 3-91	Screw, Hex, M8 X 1.25 X 20, Ss, 2-9, 2-11, 2-17, 2-23, 2-57, 2-63, 2-89, 2-103, 2-105, 2-107, 2-109, 2-113, 2-119, 2-127, 2-131, 2-133, 2-134, 2-137, 2-143, 2-145, 2-147, 2-149, 2-173, 3-3, 3-5, 3-21, 3-33, 3-45, 3-59, 3-61, 3-63, 3-79, 3-83, 3-85
Screw, Hex, .38-16 X 0.75, NI, 2-103, 2-105, 3-7, 3-9	Screw, Hex, M4 X 0.70 X 12, 8.8, 3-45	Screw, Hex, M8 X 1.25 X 25, 8.8, 2-9, 2-11, 2-43, 2-45, 2-47, 2-49, 2-57, 2-61, 2-73, 2-75, 2-77, 2-81, 2-83, 2-85, 2-87, 2-89, 2-137, 2-145, 2-149, 2-169, 2-171
Screw, Hex, .38-16 X 0.88, G5, 3-89	Screw, Hex, M4 X 0.70 X 50, Ss, 4-27	Screw, Hex, M8 X 1.25 X 25, 9.8, Sems, 2-61, 2-81, 2-91, 3-91
Screw, Hex, .38-16 X 1.00, 5, 2-85, 2-101	Screw, Hex, M5 X 0.8 X 10, Fmg, 2-107, 3-89	Screw, Hex, M8 X 1.25 X 25, Fmg, 2-109, 3-21, 3-25, 3-29, 3-37, 3-41, 3-51, 3-55
Screw, Hex, .38-16 X 1.00, G5, 2-111	Screw, Hex, M5 X 0.8 X 12, Ss, 3-13	Screw, Hex, M8 X 1.25 X 25, Ss, 2-63, 2-101, 2-103, 2-105, 2-113, 2-119, 2-121, 2-133, 2-137, 2-141, 2-145, 2-149, 3-7, 3-11, 3-15
Screw, Hex, .38-16 X 1.25, 5, 2-167	Screw, Hex, M5 X 0.8 X 16, Fmg, 3-73	Screw, Hex, M8 X 1.25 X 30, 8.8, 2-77, 2-137, 2-145
Screw, Hex, .38-16 X 1.25, G5, 3-79, 3-81	Screw, Hex, M5 X 0.8 X 20, 8.8, 2-17, 2-101	Screw, Hex, M8 X 1.25 X 30, 9.8, Sems, 3-91
Screw, Hex, .38-16 X 1.25, NI, 2-101	Screw, Hex, M5 X 0.80 X 10, Fmg, 3-45	Screw, Hex, M8 X 1.25 X 30, Ss, 2-115, 2-119, 2-149
Screw, Hex, .38-16 X 1.50, Ss, 3-11	Screw, Hex, M5 X 0.80 X 16, Ss, 3-69	Screw, Hex, M8 X 1.25 X 35, 8.8, 2-97, 2-137, 2-145
Screw, Hex, .38-16 X 2.00, Ss, 2-101	Screw, Hex, M5 X 0.80 X 20, 8.8, 3-45	Screw, Hex, M8 X 1.25 X 35, 9.8, Sems, 2-61, 2-81, 3-91
Screw, Hex, .38-16 X 3.00, 5, 2-89	Screw, Hex, M6 X 1.0 X 12, Fmg, 2-57, 2-169	Screw, Hex, M8 X 1.25 X 35, Fl, Ss, 2-149
Screw, Hex, .38-16 X 3.75, 5, 2-89	Screw, Hex, M6 X 1.0 X 12, Ss, 3-87	Screw, Hex, M8 X 1.25 X 40, 8.8, Fl, 2-77
Screw, Hex, .50-13 X 1.25, 5, 2-25	Screw, Hex, M6 X 1.0 X 16, 8.8, 2-21, 2-27, 2-33, 2-57, 2-91, 2-97	Screw, Hex, M8 X 1.25 X 40, Ss, NI, 2-101
Screw, Hex, .50-13 X 1.50, 5, 2-107	Screw, Hex, M6 X 1.0 X 16, Fmg, 2-97, 2-99, 2-109, 2-113, 3-19, 3-21	Screw, Hex, M8 X 1.25 X 45, 8.8, 2-85, 2-87
Screw, Hex, .50-13 X 3.00, Ss18-8, 2-123	Screw, Hex, M6 X 1.0 X 20, 8.8, 2-43, 2-47, 2-57	Screw, Hex, M8 X 1.25 X 45, Ss, 2-53, 2-55, 2-79, 2-119, 2-123
Screw, Hex, .75-10 X 3.25, G5, 2-93	Screw, Hex, M6 X 1.0 X 20, 9.8, Sems, 2-58	Screw, Hex, M8 X 1.25 X 50, 8.8, 2-101
Screw, Hex, .75-10 X 4.00, 5, 2-93	Screw, Hex, M6 X 1.0 X 20, 9.8, Sems, 2-58	Screw, Hex, M8 X 1.25 X 50, Ss, 2-111
Screw, Hex, #10-16 X 0.62, Fmg [Ab], 3-83, 3-85	Screw, Hex, M6 X 1.0 X 20, 9.8, Sems, 2-58	Screw, Hex, M6 X 1.0 X 60, 8.8, 2-97
Screw, Hex, #10-16 X 0.62, Fmg, [Ab], 2-21	Screw, Hex, M6 X 1.0 X 20, Ss, 2-53, 2-55, 2-79, 2-109, 2-113, 2-119, 2-139, 2-141, 2-143, 3-3	Screw, Hex, M6 X 1.00 X 12, Ss, 2-134, 3-45
Screw, Hex, #10-24 X 0.50, Ss, 2-51	Screw, Hex, M6 X 1.0 X 25, 8.8, 2-17	Screw, Hex, M6 X 1.00 X 16, 8.8, 2-11, 2-29, 2-31, 2-37, 2-39
Screw, hex, H6 X 1.00 X 20, 9.8, Sems, 3-69	Screw, Hex, M6 X 1.0 X 25, Ss, 2-119, 2-127, 2-131	Screw, Hex, M6 X 1.00 X 16, Fmg, 2-61, 3-91
Screw, Hex, M07-1.00 X 23.0, 8.8, 2-25	Screw, Hex, M6 X 1.0 X 50, 8.8, 2-87	Screw, Hex, M6 X 1.00 X 16, Ss, 3-33
Screw, Hex, M10 X 1.25 X 25, 8.8, 2-65, 2-67	Screw, Hex, M6 X 1.0 X 55, Ss, 2-111, 2-143	Screw, Hex, M6 X 1.00 X 20, 8.8, 2-25, 2-79
Screw, Hex, M10 X 1.5 X 16, 8.8, 2-19	Screw, Hex, M6 X 1.0 X 60, 8.8, 2-97	Screw, Hex, M6 X 1.00 X 20, 9.8, Sems, 2-19, 2-21, 2-61, 2-81, 3-45
Screw, Hex, M10 X 1.5 X 20, 8.8, 2-51	Screw, Hex, M6 X 1.00 X 12, Ss, 2-134, 3-45	Screw, Hex, M6 X 1.00 X 20, Ss, 2-127, 2-131
Screw, Hex, M10 X 1.5 X 25, 8.8, 2-11, 2-25	Screw, Hex, M6 X 1.00 X 16, 8.8, 2-11, 2-29, 2-31, 2-37, 2-39	
Screw, Hex, M10 X 1.5 X 25, Ss, 2-107, 2-127, 2-131	Screw, Hex, M6 X 1.00 X 16, Fmg, 2-61, 3-91	
Screw, Hex, M10 X 1.5 X 30, 8.8, 3-67	Screw, Hex, M6 X 1.00 X 16, Ss, 3-33	
Screw, Hex, M10 X 1.5 X 30, Ss, 2-9, 2-133, 3-13, 3-89	Screw, Hex, M6 X 1.00 X 20, 8.8, 2-25, 2-79	
Screw, Hex, M10 X 1.5 X 35, 8.8, 2-53, 2-55, 2-79	Screw, Hex, M6 X 1.00 X 20, 8.8, 2-25, 2-79	
Screw, Hex, M10 X 1.5 X 35, Ss (Disk Scrub Head), 2-9	Screw, Hex, M6 X 1.00 X 20, 9.8, Sems, 2-19, 2-21, 2-61, 2-81, 3-45	
Screw, Hex, M10 X 1.5 X 45, 8.8, 3-89	Screw, Hex, M6 X 1.00 X 20, Ss, 2-127, 2-131	
Screw, Hex, M10 X 1.5 X 80, 8.8, 3-89		
Screw, Hex, M10 X 1.50 X 20, 8.8, 2-55		
Screw, Hex, M10 X 1.50 X 25, 8.8, 2-61		
Screw, Hex, M10 X 1.50 X 25, Ss, 3-71		
Screw, Hex, M10 X 1.50 X 30, 8.8, 3-71		
Screw, Hex, M10 X 1.50 X 45, 8.8, 2-61, 2-81, 3-71		

CROSS REFERENCE

- Screw, Hex, M8 X 1.25 X 60, 8.8, Fl, 2-11, 2-51
Screw, Hex, M8 X 1.25 X 60, Fl, 2-107
Screw, Hex, M8 X 1.25 X 70, 8.8, 2-97
Screw, Hex, M8 X 1.25 X 70, Ss, 2-115
Screw, Hex, M8 X 1.25 X 90, 8.8, 2-77, 2-123
Screw, Motor, Hyd [En], 4-9, 4-11
Screw, Mtg [Ehpr98], 4-19, 4-21
Screw, Pan, #12-16 X 0.50, F/ Plstc, 2-143, 3-92
Screw, Pan, 12-16 X 0.50, F/ Plstc (ec-H20 only), 2-134
Screw, Pan, M4 X 0.7 X 10, Ss, 2-125, 2-129
Screw, Pan, M4 X 0.7 X 16, 4.8, 2-23
Screw, Pan, M4 X 0.7 X 16, Ss, 2-23, 3-3
Screw, Pan, M4 X 0.7 X 25, 4.8, 2-17
Screw, Pan, M4 X 0.7 X 25, Ss, NI, 2-5
Screw, Pan, M4 X 0.7 X 35, Ss, 2-5, 2-101
Screw, Pan, M4 X 0.70 X 16, 4.8, 2-57
Screw, Pan, M4 X 0.70 X 20, 4.8, 2-9
Screw, Pan, M5 X 0.8 X 12, Ss, 2-17, 2-23, 2-89, 2-139, 3-19, 3-25, 3-29, 3-87
Screw, Pan, M5 X 0.8 X 40, 4.8, 2-27, 2-33
Screw, Pan, M5 X 0.8 X 40, Ss, 2-103, 2-105, 3-19
Screw, Pan, M5 X 0.80 X 45, 4.8, 3-79, 3-83
Screw, Pan, M6 X 1.0 X 12, Ss, NI, 2-121
Screw, Pan, M6 X 1.0 X 16, Ss, 2-115, 3-79, 3-81
Screw, Pan, M6 X 1.0 X 25, Ss, 2-121
Screw, Pan, M6 X 1.0 X 35, Ss, 2-5, 2-7
Screw, Pan, M6 X 1.0 X 40, Ss, 2-5
Screw, Pan, M6 X 1.00 X 16, 4.8, 2-51
Screw, Pan, M8 X 1.25 X 25, Blk, 2-11, 2-15, 2-19
Screw, Pan, M8 X 1.25 X 25, Ss, 2-119
Screw, Pan, Phl, 06-20 X 0.50, Fmg/Ab, 2-23, 2-133, 2-134
Screw, Pan, Phl, 12-16 X 0.50, F/ Plstc, 2-133, 2-134
Screw, Pan, Phl, M4 X 0.70 X 20, Ss, 3-45
Screw, Pan, Phl, M5 X 0.80 X 12, Ss, 3-33, 3-37, 3-41, 3-55
Screw, Pan, Phl, M5 X 0.80 X 16, Tcut,Ss, 4-27
Screw, Pan, Phl, M5 X 0.80 X 20, Ss, 3-51, 3-59, 3-61, 3-63, 3-64, 3-65
Screw, Pan, Phl, M6 X 1.00 X 35, Ss, 2-7
Screw, Set, M6 X 1.00 X 40, Ss [Cuppt], 3-77
Screw, Soc, .25-20 X 0.75, Al, 2-19
Screw, Soc, .38-16 X 1.50, Al, 2-25
Screw, Soc, .50-13 X 1.50, Al, 2-93
Screw, Soc, M12 X 1.75 X 55, 10.9, 2-25
Screw, Soc, M16 X 2.0 X 50, 12.9, 2-93
Screw, Soc, M4 X 0.70 X 16, 6-30
Screw, Soc, M6 X 1.0 X 25, 12.9, 2-27
Screw, Soc, M6 X 1.0 X 45, 12.9, 2-27
Screw, Soc, M6 X 1.00 X 25, 12.9, 2-29, 2-31, 2-37
Screw, Soc, M6 X 1.00 X 45, 12.9, 2-29, 2-31
Screw, Soc, M8 X 1.25 X 25, 12.9, 2-127, 2-131
Screw, Soc, M8 X 1.25 X 35, 12.9, 2-127, 2-131
Screw, Soc, M8 X 1.25 X 70, 12.9, 2-37
Screw, Valve, Steering, 4-23
Screw, Hex, M5 X 0.80 X 29, 8.8, 3-69
Seal Kit, Cartridge, 4-13, 4-15, 4-17, 4-19, 4-21
Seal Kit, Motor [CI], 4-9, 4-11
Seal Kit, Pump, Hyd, 4-7
Seal Kit, Steering [CI], 4-23
Seal Kit, Valve [Ehpr98], 4-19, 4-21
Seal Replmt Kit, 4-8
Seal, Sponge, 0.88 1.00W 43.0L, 2-21
Seal, Afmkt, Bulb, 90, 0.50d, 02ft, 2-17
Seal, Afmkt, Bulb, 90, 0.75d F/11ga 02ft, 2-17, 2-23
Seal, Afmkt, Bulb, 90, 0.75d F/11ga 08ft, 2-11
Seal, Afmkt, Bulb, Str, 0.58d 08ft, 2-81, 3-91
Seal, Afmkt, Bulb, Str, 1.0d F/11ga 08ft, 2-21
Seal, Afmkt, Ure, Adh, 0.38, 0.38w 02ft, 2-81
Seal, Bulb, Str, .50Hi .50W 047.2L, Adh, 2-133, 2-134
Seal, Cap, 6-5
Seal, Case, Oil, Rear, 6-3
Seal, Drive, Rear, Grease Cav, 2-93
Seal, Foam, 0.50, 2-11
Seal, Oil, 6-3, 6-5, 6-12
Seal, Oil, Cshft, 5-5
Seal, Org, 2-33
Seal, Org, .069 X 3.06id, 2-167
Seal, Org, .072 X 00.35id #04, 4-15, 4-21
Seal, Org, .078 X 00.47id #06, 4-13, 4-15, 4-21
Seal, Org, .078 X 00.47id 06, 4-17, 4-19
Seal, Org, .087 X 00.64id #08, 4-15, 4-21
Seal, Org, Bolt, Cover, Camshaft Hsng, 5-11
Seal, Org, Cap, 5-3
Seal, Org, Cap, Fltr, Oil, 5-8
Seal, Org, Hsng, Oil Pump, 5-7
Seal, Org, Lpg, Mixer, 6-28
Seal, Org, Oil Pump, 5-7
Seal, Org, Press Switch / Drain Plug, 5-7, 5-8
Seal, Org, Sensor, Temp [Epr], 2-39, 2-41
Seal, Org, Throttle Body, 2-33
Seal, Org, Water Pump, 5-7
Seal, Panl, Instmt, 2-11
Seal, Plug, Drain [Nitrile], 2-143
Seal, Radiator, 2-57
Seal, Radiator, Upper, 2-91
Seal, Rbr, Clsd, 0.13, Instmt Panl, 2-15
Seal, Ring, Pipe, Suc, Oil Pump, 5-7
Seal, Seat, Valve, 5-3
Seal, Shaft, Drain Plug, 2-143
Seal, Wiper, 2-119
Seal, Wire, 14/16ga [Wp / Mp280 Sealed], 4-25
Sealant, Tube, Ds, 5-8
Seat, 4-29
Seat (See Breakdowns), 2-17
Seat, Rotator, Valve, 5-3
Seat, Spring, Valve, 5-3
Seat, Spring, Valve, 0.333, 5-3
Seat, Suspension, W/1 Arm And Belt, 2-17
Seat, Valve, Exhaust, [+0.2mm], 5-3
Seat, Valve, Exhaust, [+0.4mm], 5-3
Seat, Valve, Exhaust, Std, 5-3
Seat, Valve, Intake, [+0.2mm], 5-3
Seat, Valve, Intake, [+0.4mm], 5-3
Seat, Valve, Intake, Std, 5-3
Seatbelt, 4-29
Seatbelt, Retractable [Deluxe Seat], 2-17
Send-Unit, Fuel, 2-85
Send-Unit, Fuel [2007], 2-87
Send-Unit, Water, Temp, 04npt 113oh/195d, 2-171
Sensor [T Map], 2-29, 2-31, 2-37
Sensor [Tmap], 2-27, 2-33, 6-25
Sensor, Camshaft [Mit], 6-25
Sensor, Exhaust, Tailpipe, 2-55, 2-79, 6-25
Sensor, Level, Liq, 14vdc 01a .62-11, 2-134, 2-143, 3-5
Sensor, Oxygen, 2-53
Sensor, Oxygen [Gm 1.6L/3.0L 2007], 2-55
Sensor, Position, Cshft, 2-25, 5-7
Sensor, Spd / Dir, 6-30vdc, 2-101
Sensor, Spd, Timing Wheel [3.0I], 6-25
Sensor, Temp [Epr], 2-39, 2-41
Sensor, Temp, Coolant, 2-25, 6-25
Sensor, Temp, Water [Rework For 1.6GM], 2-25
Shaft Wldt, Arm, Lift, 2-115
Shaft Wldt, Brake, 2-97
Shaft Wldt, Pedal, Brake, 2-97
Shaft, Arm, Rocker, 6-9
Shaft, Arm, Rocker, 6-9
Shaft, Brush, Idler, 2-103, 2-105
Shaft, Cap, Rocker, 6-9
Shaft, Left, Balancer, 6-11
Shaft, Motor, Hyd, 4-5
Shaft, Output, 4-8
Shaft, Output, Motor, Hyd, 4-11
Shaft, Output, Motor, Hyd [En], 4-9
Shaft, Pump, 4-7
Shaft, Pump, Water, 4-3
Shaft, Right, Balancer, 6-11
Shaft, Spring, Rocker, 6-9
Sheave Assy Kit, Repair, 2-51
Sheave, 5.00dia [Gm1.6l 2007], 2-51
Sheave, Cshft, 5-5
Sheave, Mach [Gm1.6l 2615rpm Fan], 3-91
Sheave, Mach [Gm1.6l], 2-51
Sheave, Mach [Mit 2615rpm Fan], 2-77
Shield Kit, Debris, Replmt [T20], 2-119
Shield Kit, Side, Replmt [T20], 2-125, 2-129

- Shield Wldt, Switch, Float, 2-143
 Shield, Heat, Gas/Lpg, Replmt, 2-55
 Shield, Heat, Gas/Lpg, Replmt (Japan Only), 2-55
 Shield, Heat, Lower [Mit 20/24m], 6-16
 Shield, Heat, Upper [Mit 20/24m], 6-16
 Shield, Manifold, Exhaust, 5-9
 Shield, Starter [1.6l], 2-25
 Shield, Tray, Debris [Trimmed], 2-119
 Shield, Tray, Drip [Mit 2013], 2-79
 Shim Kit, 4-7
 Shim, Washer, 0.88d 0.51b .020, 2-147
 Shim, Washer, 0.88d 0.51b .060, 2-147
 Shock Absorber, 2.3 Strk, 2-101
 Shoe, Brake, 180 X 30mm, 2-95
 Shoe, Plstc, Sqge, 14.0, 3-73
 Shrd Wldt,Fan,G/Lp, Replmt [M20/M30/T20], 2-61, 2-81
 Shrd Wldt,Fan,G/Lp, Replmt [TJ] (Japan Only), 2-61, 2-81
 Shroud Assy, Eng, 2-23
 Shroud Wldt, Fan, 16.25d [Side X Side], 2-61
 Shroud, Fan, 2-81, 3-91
 Shroud, Front, Trimmed, 2-21
 Shroud, Seat, 2-17
 Skirt, Debris, Eng Radiator, 2-57
 Skirt, Eng Fan, Gas / Lp, 2-61, 2-81
 Skirt, Front, Disk Head, 1-1, 2-113
 Skirt, Neo, .06, 06.85w 27.95l, 08 Hole, 1-1
 Skirt, Neo, .06, 07.63w 51.52l, 11 Hole, 2-109
 Skirt, Neo, .06, 12.00w 45.88l, 07 Hole, 1-1, 2-109
 Skirt, Neo, .18, 10.37w 27.95l, 12 H&S, 1-1
 Sleeve, 0.31b 0.50d 0.3l, Ss, 2-127, 2-131, 2-143
 Sleeve, 0.49b 0.68d 1.2l [304ss], 2-119, 2-127, 2-131
 Sleeve, Dashpo, Pump, Hyd, Gear, 4-5
 Sleeve, Fing, 0.48b 1.25/0.88d 0.6l, Stil, 2-119
 Sleeve, Nyl, #37 05.0l, 2-93
 Sleeve, Nyl, 1.22id 14.0l, 2-165
 Sleeve, Nyl, 2.38id 25.0l, 2-93
 Sleeve, P/M, 0.31B 0.44D 1.2L [430Ss], 2-121
 Sleeve, P/M, 0.31b 0.50d 0.3l [430ss], 2-137, 2-145
 Sleeve, P/M, 0.31b 0.50d 0.7l [430ss], 2-117, 2-137, 2-145
 Sleeve, P/M, 0.31b 0.50d 0.9l [430ss], 2-53, 2-55, 2-79, 2-103, 2-105, 2-111
 Sleeve, P/M, 0.34b 0.63d 0.6l, Bnz, 2-123
 Sleeve, P/M, 0.34b 0.63d 1.2l, Bnz, 2-117
 Sleeve, P/M, 0.37b 0.50d 0.6l [430ss], 3-11
 Sleeve, P/M, 0.43b 1.00d 1.0l, Stil, 2-85
 Sleeve, P/M, 0.47b 0.75d 0.5l [430ss], 2-107, 2-113
 Sleeve, Pump, Water, 4-3
 Sleeve, Rbr, 3.50b 3.58d 1.8l, 3-5
 Sleeve, Throttle, Plstc [Bosch], 2-33
 Solenoid, #10, 12vdc, 4-13, 4-15, 4-17, 4-19, 4-21
 Solenoid, #8, 12vdc, 4-13, 4-15, 4-17, 4-19, 4-21
 Solenoid, 12v, Valve, Hyd [Cec], 4-10
 Spacer, 2-111, 3-7, 3-9
 Spacer Plate, 4-8
 Spacer, Alternator [Mit 2.0/2.4l], 6-20
 Spacer, Belt, Balancer, Train, 6-11
 Spacer, Crankshaft, 2-77
 Spacer, Fan, 2-51
 Spacer, Fan, Taper [2007], 2-51
 Spacer, Fan, Taper [Mit 2013], 2-77
 Spacer, Hub, Keyed, 2-111, 3-7, 3-9
 Spacer, Plstc, Ny, 2-17
 Spacer, Pump, Water, 2-77
 Spacer, Ring, Throttle [Mit 40mm], 6-28
 Spacer, Rlr, 2-119
 Spacer, Sppt, Fltr Lock Off, 2-33
 Spacer, Sqge, Side Brush, Rbr, 3-9
 Spacer, Strap, Adj, Alternator, 2-51
 Spacer, Valve, Steering, 4-23
 Sparkplug, 5-12
 Sparkplug [Gm], 1-1
 Sparkplug [Gm, 1pick=1plug], 1-1
 Spool, Pilot, Hyd, 4-13, 4-15, 4-17, 4-19, 4-21
 Spring, 4-5
 Spring Kit, Flat, Replmt [T20], 2-115
 Spring Kit, Scu [Cl], 4-23
 Spring, 3/4 X 16 [Gm1.6L 2010 Lpg], 2-41
 Spring, Cmpr, 0.97od .11wir 2.5l, 2-119
 Spring, Cmpr, 0.40od .04wir 00.6l, Ss, 3-77
 Spring, Cmpr, 0.42od .06wir 1.50l, 2-111
 Spring, Cmpr, 0.9od .042wir 02.0l, 2-117
 Spring, Cmpr, 18.8d, 1.6w, 57.1l, 2-19
 Spring, Dsl, 1.00od 0.50id 1.7l, 2-123
 Spring, Extn, 0.75od X 0.09wir, 2.5l, 2-127, 2-131
 Spring, Extn, 0.75od X 0.12wir, 4.3l, 2-101
 Spring, Extn, 1.69od X 0.20wir, 9.5l, 2-115
 Spring, Extn, 2.00od 0.25wir 07.5l, 2-107
 Spring, Flat, .06 X 4.13 X 6.5l 4 Hole, 2-115
 Spring, Flat, Retainer, Screen, 2-121
 Spring, Keeper, 2-123
 Spring, Motor, Hyd, 4-5
 Spring, Tors, 0.75id .06wir 02.8coil, 2-97
 Spring, Tors, 1.13id .12wir 02.3coil Rh, 2-97
 Spring, Valve, 5-3
 Spring, Valve, Relief, Oil Press, 5-7
 Spring, Wir, 0.08d, Brake, Parking, 2-97
 Spring, Wir, 0.16d, Brush Retaining, 2-5, 2-7
 Spring, Wir, 0.16d, Brush Retaining [T5], 2-5
 Spring, Wir, 0.25d, Return, Brake, 2-95
 Sprocket Assy, Cshft, 6-9
 Sprocket, Camshaft, 5-11, 6-9
 Sprocket, Crankshaft, 5-11
 Sprocket, Cshft, 6-11
 Sprocket, Pump, Oil, 6-9
 Sprocket, Shaft, Balancer, 6-11
 Squeegee Assy, Sba, Linatex, 1-2, 3-7
 Squeegee Assy, Sba, Ure, 1-2, 3-7
 Squeegee Kit, Rear, Replmt [M20/T20], 2-117
 Squeegee Wldt, Rear, 2-117
 Stand-Off, Hex, M8 X M8, Metal, 2-65, 2-67
 Starter, 12vdc [Delco] (Mar. 2006 and Newer), 5-5
 Starter, 12vdc [Gm] (Before Mar. 2006), 5-5
 Starter, Motor [Mit 2.0/2.4l], 6-20
 Steer-Control, Hyd#05, 06.1 2030 (See Breakdowns), 2-19
 Steer-Control, Hyd05, 06.1 2030, 4-23
 Stem, Valve, Hyd, 4-13, 4-15, 4-17, 4-19, 4-21
 Stem, Valve, Hyd [4w2p], 4-17, 4-19
 Stem, Valve, Hyd, 4w2p, 4-13, 4-15, 4-21
 Stop, Rotation, 2-123
 Strainer Wldt, Trough, Debris 4.3w 15.L, 2-121
 Strainer, Hyd, 25gpm 100mesh Psi, 2-171
 Strainer, Hyd, 025gpm 100mesh 03psi, 1-1
 Strainer, Hyd, 25 Gpm 100 Mesh, 1-1
 Strainer, Soltn, 20 Mesh, Cyl 3.5d 9.5l, 3-5
 Strap, Adj, Alternator, 2-51
 Strap, Mtg, Tank, Lpg, 2-89
 Strap, Mtg, Tank, Lpg, Hinge, 2-89
 Strap, Rbr, 13.2l [2/S Hooks], 3-79, 3-81
 Strap, Rbr, Tie-Down, 2/Hooks 19.0l, 2-91
 Strap, Sppt, 2-101
 Strap, Static, .19 1.1w 25.0l W/ Grommet, 2-119
 Strap, Static, W/Grommet, .19 1.1w 25.0l (Disk Scrub Head), 2-9
 Strap, Tank, Gas, 2-85, 2-87
 Strip Mtg, Seal, 2-21
 Strip, Non-Slip, 0.50w 06.0l, 2-117
 Strip, Rbr, 0.06 03.54w 03.5l [Neo/60], 3-45
 Stud, 6-5
 Stud, .31-18 2.75l M8 X 1.25, Ss, 2-117
 Stud, Ball, .39d .31-16, Gasspring, 2-17
 Stud, M05-0.8, 2-37, 6-30
 Stud, M10 X 1.50 [35], 2-51, 2-53, 2-55
 Stud, M10-1.25 X 50, Full Thrd [Mit], 6-25
 Stud, M8-1.25 X 30 [Mit Double End], 6-15
 Stud, M8-1.25 X 35 [Mit Double End], 6-15
 Stud, M8-1.25 X 40 [Mit], 6-16
 Stud, M8-1.25 X 50 Full Thrd [Mit], 6-15
 Stud, Manifold, Intake, M8 X 28, 6-16
 Stud, Manifold, M8 X 28, 5-9

CROSS REFERENCE

Stud, Manifold, M8 X 96, 5-9
Stud, Starter, M08 X 1.25, 5-5
Stud, Wheel, .50-20 X 1.50l, 0.370th, 2-93
Support Wldt, Sqge, Lh Rear, 3-89
Support Wldt, Sqge, Rh Rear, 3-89
Switch Assy, Press, 3.0, 17.5l Tube, 3-5
Switch Kit, Pump, Repair,, 4-25
Switch, Ignition [Ku], 2-15
Switch, Indicator, Oil Press, 2-25, 5-7
Switch, Indicator, Oil Press [2010], 2-25, 5-7
Switch, Press, 0006psi Dpdt, 2-25
Switch, Press, 10psi, Spst, 3-19
Switch, Press, 12vdc 08a Spst Nc 0070psi, 2-89
Switch, Press, 50 Psi, Pm02, 3-47
Switch, Pressure, Oil, 6-12
Switch, Rocker, Dpdt On/Off/On, 2-15
Switch, Rocker, Dpdt, On / None / On, 3-79, 3-83
Switch, Rocker, Spst, Mom, 3-45
Switch, Seat, 4-29
Switch, Seat, No [Delta 6440-04], 2-17

T

Tank Kit, Soltn, W/ Bracket, Replmt, 2-133
Tank, Coolant, 03.30w 4.7hi 04.7l, 1liter, 2-63
Tank, Coolant, 03.6w 04.1hi 05.5l, 1liter, 2-63, 2-83
Tank, Coolant, 04.7 03.3 4.7deep, 1liter, 2-57
Tank, Detgt, Trimmed, 3-5
Tank, Fuel, 11.26Gal, gas, Replmt, 2-85
Tank, Fuel, 11.2gal, Gas, Replmt [2007], 2-87
Tank, Lpg, 33lb, W/ Gauge [Empty, Liq], 2-89
Tank, Recvy, Trimmed, 2-143
Tank, Soltn, W/ Es [T20], 2-133
Tank, Soltn, W/ Label, 2-133
Tensioner, 6-9
Tensioner, Timing, Belt, 6-11
Terminal, Bullet, Mal, .157d, 12ga, 3-61, 3-63, 3-64, 3-65
Terminal, Fem, Mp280, Sealed, 18-16ga, 4-25
Thermostat Kit, Coolant, Replmt [Mitsub], 6-22
Thermostat, W/ Hsng And Seal, 5-3
Thrust Bearing, 4-8
Thurst, Case, 6-5
Tie, Cable, 6.0l, 1.25d Max, 3-64, 3-65
Tie, Cable, 11.3l, 2.75d Max, 3-19
Tie, Cable, Nyl, 07.3l .19w 1.8 Max D, 2-15, 2-27, 2-29, 2-61, 2-93, 2-105, 2-165, 3-19, 3-47, 3-64, 3-65
Tie, Cable, Nyl, 14.5l .30w 4.0 Max D, 4-27
Tie, Cable, Nyl, 15.3l . W 4.5 Max D, 3-19, 3-25, 3-37
Tire Assy, Solid, 18.0x6.0 4.5bc/5bolt, 1-2
Tire, Drive, Scrbr, Non-Skid, 18.0X6.0, 2-93
Tire, Drive, Scrbr, Pu, Grey, 18.0X6.0 (Optional Polyurethane), 2-93
Tire, Idler, Scrbr, Blk, 16.0X3.5, 2-95
Tire, Idler, Scrbr, Non-Skid, 16.0x3.5 (Optional), 2-95
Tire, Idler, Scrbr, Pu, Grey, 16.0X3.5 (Optional Polyurethane), 2-95
Track Assy, Slide, 4-29
Transport Kit, Ci [T20], 3-87
Tray, 3-79, 3-81
Tray Kit, Debris, Replmt [T20], 2-121
Tray Wldt, Fuel, 2-85, 2-87
Tray Wldt, Lpg, 2-89
Tray, Debris, Trimmed, 2-121
Tread, Non-Skid, 01.9w 08.0l, 2-9
Tread, Non-Skid, 02.2w 11.5l, 3-13
Tread, Non-Skid, 03.0w 11.6l, 2-9, 2-11, 2-99
Tube [Pcv], 5-3
Tube Assy, Plug, Drain, 2-143
Tube Kit, Hyd, Case Drain [M20/T20], 2-105
Tube Kit, Tank, Recvy, Replmt, 2-145
Tube Kit, Tank, Soltn, Replmt, 2-137
Tube Wldt, Exhaust, Gas/Lpg, 2-53
Tube Wldt, Leg, Ohg, Lh, Pntd, 3-67
Tube Wldt, Leg, Ohg, Rh, Pntd, 3-67
Tube Wldt, Plug, Drain, 2-143
Tube Wldt, Tee, 2-43, 2-45, 2-47, 2-49
Tube Wldt, Tee [Mit 2013], 2-73, 2-75
Tube Wldt, Torque, 2-107, 2-113
Tube Wldt, Vacuum, 2-121
Tube, 0.50d 0.32b 00.4l, Ss, 2-137, 2-145
Tube, 00.38d 00.26b 00.3l Stil Plt, 2-99
Tube, 00.50d 00.38b 00.6l Stil, 2-101
Tube, Air Bleed, .62d 2.2l .12npt Alm, 2-27, 2-34
Tube, Bleed, Air, .62od 2.2l .12npt, Alm, 2-29, 2-39
Tube, Coolant, 1.3d, Lower, 2-63
Tube, Coolant, 1.3d, Lower [Mit 2013], 2-83
Tube, Coolant, Lower, 1.3d, 2-57
Tube, Cooling, Line [Mit], 6-23, 6-26
Tube, Distribution, Water, 2-139
Tube, Ds, 5-8
Tube, Exhaust, 1.5d, 2-53
Tube, Exhaust, Fing, 1.5d [M20/T20 2007], 2-55, 2-79
Tube, Hyd, 08 Jf08/Jf08, 3-15
Tube, Hyd, 08 Jf08/Jm08, 2-103
Tube, Hyd, Brush Return, W/ Cd [M20/T20], 2-105
Tube, Hyd, Main Return [G/Lp Mit2013], 2-169
Tube, Hyd, Main Return [M20], 2-169
Tube, Hyd, Sqge, 2-169
Tube, Pump, Water, 6-22
Tube, Pvc, Clr, 4.0l [Shc80], 3-23, 3-25, 3-27, 3-29
Tube, Rnd, 1.75d 0.77b 01.1l, Stil, Pntd, 2-93
Tube, Rnd, 3.00d 2.90b 02.0l, Ss, 2-137, 2-145
Tube, Vacuum, 2-9
Tube, Vinyl, Pump, Water, 4-3
Tube, Wand, Vacuum, Metal [1pick=1box], 3-73
Tube, Water, Line [Mit], 6-22
Tubing Connctr.Kit, Gorman Pmp, 4-24

U

Upper Hsg Kit, Pump, Repair,, 4-25

V

Valve Assy [Proportional], 4-19, 4-21
Valve Assy, Relief [CI], 4-23
Valve Assy, Water, Solenoid , 12vdc, 2-139, 2-141
Valve Assy, Water, Solenoid, 12vdc, 3-13, 3-51
Valve Kit, Poppet, Gorman Rupp, 4-24
Valve Stem, N.O.Valve, Hyd, 4-10
Valve, Ball, 04pf, Chm W/ Handle, 2-85
Valve, Body, Throttle, Lpg, 2-34
Valve, By-Pass, Oil Fltr, 5-8
Valve, Check, 2-33, 4-13, 4-15, 4-17, 4-19, 4-21
Valve, Check, 0002psi [FaST li+], 4-30
Valve, Check, 0002psi Bm04/Bm04, 3-21
Valve, Check, 0005psi [FaST li+], 4-30
Valve, Check, 0005psi Bm06/Bm08, 3-33
Valve, Check, 0005psi Pm04/Bm06, 3-47
Valve, Check, 2gpm .5psi Bm08/Bm08, 3-51, 3-55
Valve, Check, Pump, Water, 4-3
Valve, Cntrl, Hyd, 4-15
Valve, Cntrl, Hyd (See Breakdowns), 2-173
Valve, Cntrl, Hyd [M20 And T20] (Repaced by 1037805), 4-13
Valve, Cntrl, Hyd [M20 And T20] (See Breakdowns), 3-15
Valve, Cntrl, Hyd, Solenoid, 03/16gpm, 4-17, 4-19
Valve, Cntrl, Hyd, Solenoid, 03/16gpm (See Breakdowns), 3-15
Valve, Cntrl, Hyd, Solenoid, 12vdc 08gpm, 4-21
Valve, Cntrl, Hyd, Solenoid, 12vdc 08gpm (See Breakdowns), 2-173
Valve, Cntrl, Water, 3-77
Valve, Exhaust, 5-3, 6-9
Valve, Fuelock, Lpg, Wire Connector, 2-33
Valve, Gasket, Pcv, 6-4
Valve, Hyd Cartridge 10no/-0, 4-10
Valve, Hyd, Check, Jm08/Om08 5000psi, 3-15
Valve, Hyd, Solenoid 12vdc 3000psi (See Breakdowns), 3-15
Valve, Inlet, 6-9

Valve, Intake, 5-3
 Valve, Lock Off, 2-39
 Valve, Lock Off [Gm 1.6L 2010], 2-41
 Valve, Lpg, Press Relief [Rego], 2-89
 Valve, Motor, Hyd, 4-5
 Valve, Pcv, 6-4
 Valve, Relief, 4-13, 4-15, 4-17, 4-19, 4-21
 Valve, Relief, 3000 Psi, 4-7
 Valve, Relief, 4000 Psi, 4-7
 Valve, Relief, Oil Press, 5-7
 Valve, Seal, Stem, 6-9
 Valve, Shutoff, 3-83, 3-85
 Valve, Solenoid, 12vdc, Water Flow, 3-25, 3-29, 3-37, 3-41, 3-55
 Valve, Spring, 6-9
 Valve, Spring, Lock, 6-9
 Valve, Spring, Retainer, 6-9
 Valve, Spring, Seat, 6-9
 Valve, Stem, No, 4-13, 4-15, 4-17, 4-19, 4-21
 Valve, Trim, Fuel, Normal Flow, 2-34
 Valve, Vent, Air, Float Type, 3-47
 Valve, Water, 12vdc, 6.0mm, 04pf, 3-19
 Valve, Water, Solenoid, 12vdc 0.08pf, 3-3
 Valve, Water, Solenoid, 12vdc 6.0mm Pf04, 3-33
 Vaporizer [Mixer E100lp Gm1.6l 2010], 2-37
 Video, Oprtr, Dvd [W/Checklist T20], 3-93

W

Wand Assy, Power, 3-77
 Wand Kit, Vac, Sqge, Ci [T20], 3-73
 Wand, Clean-Out, 3-83, 3-85
 Wand, Dbl Bend, 38.1mmd, 3-77
 Washer, 6-9, 6-21
 Washer, 1/4 Flat [Mit], 6-27
 Washer, Belleville, .31, 2-101
 Washer, Belt, Balancer, Train, 6-11
 Washer, Bolt, 6-7
 Washer, Flat 3/8, Sae, 6-17
 Washer, Flat, .78b 1.75d .18, Ss, 2-143
 Washer, Flat, #06, 2-57, 3-73, 3-79, 3-81
 Washer, Flat, #08, 2-17
 Washer, Flat, #08, Ss, 2-5
 Washer, Flat, #10, 2-17, 2-23, 2-51, 2-91, 3-79, 3-83
 Washer, Flat, #10 Ss, 2-101
 Washer, Flat, #10, Ss, 2-27, 2-33, 3-3, 3-19, 3-25, 3-29, 3-83, 3-85
 Washer, Flat, 0.25 Fendr, 2-17
 Washer, Flat, 0.25 Sae, 2-17, 2-19, 2-27, 2-33, 2-43, 2-47, 2-53, 2-57, 2-85
 Washer, Flat, 0.25 Std, 2-25, 2-57, 2-91, 2-97, 2-99, 2-101, 3-19, 3-21
 Washer, Flat, 0.25, Fendr, 2-58, 2-61, 2-81
 Washer, Flat, 0.25, Sae, 2-29, 2-31, 2-37, 2-55, 2-61, 2-79, 2-87, 3-45, 3-91
 Washer, Flat, 0.25, Ss, 2-7, 2-109, 2-111, 2-113, 2-119, 2-121, 2-139, 2-141, 2-143, 3-3, 3-87

Washer, Flat, 0.25, Std, 2-11, 2-25, 2-29, 2-31, 2-37, 2-39, 2-61, 2-69, 2-71, 2-79, 2-81
 Washer, Flat, 0.27b 0.69d .05, Ss, 2-7, 2-134, 3-33, 3-45, 3-69
 Washer, Flat, 0.31 Sae, 2-11, 2-51, 2-101, 2-127, 2-131
 Washer, Flat, 0.31, Hardened, 2-51
 Washer, Flat, 0.31, Sae, 2-51, 2-77, 2-79, 2-121, 2-137, 2-145
 Washer, Flat, 0.31, Ss, 2-53, 2-57, 2-109, 2-111, 2-115, 2-117, 2-119, 2-123, 2-127, 2-131, 3-3, 3-7, 3-11
 Washer, Flat, 0.31, Std, 2-9, 2-11, 2-17, 2-19, 2-21, 2-23, 2-43, 2-45, 2-47, 2-49, 2-51, 2-55, 2-57, 2-61, 2-63, 2-73, 2-75, 2-77, 2-81, 2-83, 2-85, 2-87, 2-89, 2-93, 2-97, 2-103, 2-105, 2-107, 2-113, 2-115, 2-133, 2-137, 2-141, 2-143, 2-145, 2-169, 3-11, 3-13, 3-15, 3-67, 3-79, 3-83, 3-87, 3-91
 Washer, Flat, 0.32b 1.00d .12, Ss, 2-11, 2-17, 2-23, 2-77, 2-119, 2-121, 2-133, 2-134, 2-137, 2-143, 2-145, 2-147, 2-149, 2-173, 3-5, 3-21, 3-33, 3-45, 3-59, 3-61, 3-63, 3-83, 3-85
 Washer, Flat, 0.34b 0.75d .12 [Viton], 3-19
 Washer, Flat, 0.38 Sae, 2-25, 2-51, 2-65, 2-67, 2-101, 2-107, 2-123, 2-167
 Washer, Flat, 0.38 Std, 2-17, 2-85, 2-89, 2-101, 2-123, 3-7, 3-9, 3-67
 Washer, Flat, 0.38, Hardened, 2-25, 2-39, 2-41
 Washer, Flat, 0.38, Sae, 2-51, 2-55
 Washer, Flat, 0.38, Std, 2-55, 2-61, 2-79, 2-81, 2-111, 2-133, 3-71, 3-79, 3-81, 3-89
 Washer, Flat, 0.38, Std (Disk Scrub Head), 2-9
 Washer, Flat, 0.38b 0.88d .08, Ss, 2-55, 2-63, 2-79, 2-123, 2-149
 Washer, Flat, 0.38b 1.25d .12, Neo, 2-121
 Washer, Flat, 0.40b 1.12d .12, Ss, 2-51, 2-57, 2-61, 2-81, 2-147, 3-67
 Washer, Flat, 0.41b 1.25d .12, Pye, 2-17
 Washer, Flat, 0.44b 1.00d .08, Ss, 2-9, 2-119, 2-121, 3-13, 3-89
 Washer, Flat, 0.50 Sae, 2-19, 2-25, 2-57, 2-65, 2-67, 2-95, 3-11
 Washer, Flat, 0.50 Std, 2-25, 2-65, 2-67
 Washer, Flat, 0.50, Std, 2-9, 2-25, 2-119
 Washer, Flat, 0.50, Std (Disk Scrub Head), 2-9
 Washer, Flat, 0.53b 1.88d .12, Stil, Pl, 2-11, 2-25, 2-65, 2-67, 2-117
 Washer, Flat, 0.56b 1.38d .11, Ss, 2-107, 2-113, 2-115, 2-127, 2-131
 Washer, Flat, 0.62 Sae, 2-21
 Washer, Flat, 0.66b 1.00d .12, Rbr, 3-3, 3-83, 3-85
 Washer, Flat, 0.69b 1.19d .06, Stil, Pl, 2-123

Washer, Flat, 0.75 Sae, 2-93
 Washer, Flat, 0.76b 1.50d .06, Ss, 2-95
 Washer, Flat, 0.79b 1.18d .06, Nyl, 2-137, 2-145
 Washer, Flat, 0.81b 1.06d .06, Stil, 2-57, 2-61, 2-81
 Washer, Flat, 08, 3-45
 Washer, Flat, 08, Ss, 4-27
 Washer, Flat, 1.15b 1.75d .08, Stil, 2-15
 Washer, Flat, 1.26b 1.88d .13, Stil, 3-13
 Washer, Flat, 1.26B 1.88D .13, Stil, Pl, 2-93
 Washer, Flat, 1.39b 2.12d .13, Stil, 2-93
 Washer, Flat, 10, 3-45, 3-59, 3-61, 3-63, 3-64, 3-65
 Washer, Flat, 10, Ss, 3-33, 3-37, 3-41, 3-51, 3-55, 3-69
 Washer, Flat, 2.16b 3.50d .16, Felt, 2-93
 Washer, Flat, Belleville, .25, 2-119, 2-127, 2-131
 Washer, Flat, Belleville, .31, 2-51, 2-77, 2-137, 2-145, 2-147, 3-11
 Washer, Flat, Belleville, .38, 2-55, 2-101, 2-127, 2-131
 Washer, Flat, Belleville, .50, 2-119, 2-127, 2-131, 2-149
 Washer, Flat, M21.0b X 37d X 3, 2-95
 Washer, Flat, Pump, Hyd, 4-7
 Washer, Lock, 0.38, 6-17
 Washer, Lock, Int-Ext, 0.31, 2-119
 Washer, Lock, Int-Ext, 0.31 (Disk Scrub Head), 2-9
 Washer, Lock, Int-Ext, 0.38, 2-51
 Washer, Lock, Int-Ext, 10, 2-23
 Washer, Lock, Int, #10, Ss, 3-19
 Washer, Lock, Int, 0.25, 3-45
 Washer, Lock, Int, 0.38, 2-51
 Washer, Lock, Int, 08, Ss, 4-27
 Washer, Lock, M12 [Mit], 6-18
 Washer, Lock, M6 [Mit], 6-28
 Washer, Lock, M8 [Mit], 6-9, 6-21
 Washer, Pump, Hyd [En], 4-7
 Washer, Rbr, 4-3
 Washer, Sealing, 0.28b 0.75d Ss, Neo, 2-143
 Washer, Sheave, Cshft, 5-5
 Washer, Shld, Nyl [8-32], 2-15
 Washer, Special, 6-10
 Washer, Spring, 6-13
 Washer, Sprkt, Camshaft, 5-11
 Washer, Star, M10 [Mit], 6-25
 Washer, Strainer, 6-7
 Washer, Thrust, 0.34b 1.50d .06, 2-137, 2-145
 Washer, Thrust, 0.61b 1.25d .06, Fgl, 2-123, 2-125, 2-127, 2-129, 2-131, 3-7
 Washer, Thrust, 1.00b 1.75d 0.13w, Fbr, 3-11
 Washer, Flat 0.25, Ss, 2-5, 3-79, 3-81
 Wheel, 06.0D 2.00W 1.19B, Gray Rbr, 2-9, 3-13
 Wheel, 3.0d 0.87w 0.44b, Rbr, Pp Core, 2-121
 Wheel, 3.0d 1.38w 0.50b, 1-1, 2-123

CROSS REFERENCE

Wheel, 4.0d 0.89w 0.64b, 2-117

Wheel, 41.3d 19.1w, Rbr, 3-77

Wheel, Steering, 14.3d 0.81b 36tooth,
2-19

Wire Set, Sparkplug [1.6], 5-12

Wire, 16ga 09.6l Brown Mp280/ #10ring,
2-25

Wire, Ground, 2-51