

# OPERATION MANUAL AND PARTS LIST FOR TORNADO® INSULATION BLOWER MOTOR UNITS

CODE 8810F 1-1/2 H.P.  
8910F 2-1/4 H.P.

## WARNING

NEVER OPERATE UNIT WITH INTAKE UNGUARDED. Strong suction can pull fingers or clothing into dangerous blades. ALWAYS USE RED GUARD CAP when unit is not connected to insulation hopper.

ALWAYS POINT THE EXHAUST PORT IN A SAFE DIRECTION AND WEAR SAFETY GLASSES WHEN IN THE VICINITY OF THIS UNIT. Air leaves the blower at a high velocity.

DO NOT OPERATE UNIT WITHOUT A GROUND. The three prong plug must be used with a grounded receptacle or a grounded adapter. Make certain that the adapter ground terminal is connected to a properly grounded outlet box.

## CAUTION

Before operating your TORNADO® Insulation Blower Motor Unit, make sure the voltage and current used are the same as indicated on the nameplate.

**THIS UNIT TO BE USED ONLY WHEN CONNECTED TO A SUITABLE INSULATION HOPPER.**

## Tornado® Standard Warranty Program\*

**10 Years:** All plastic tanks and rotationally-molded bodies

**2 Years:** Parts and Labor on all Tornado and Tornado/Karcher cleaning equipment \*\*

**1 Year:** Warranty on batteries, one full year, not pro-rated.

Warranties do not cover components subject to normal wear or abuse and misuse, and have other limitations not specified here. For full details, contact your Authorized Tornado Distributor, Service Center, or the Tornado Technical Service Department.

\* Effective January 1<sup>st</sup>, 2000. Terms subject to change without notice.

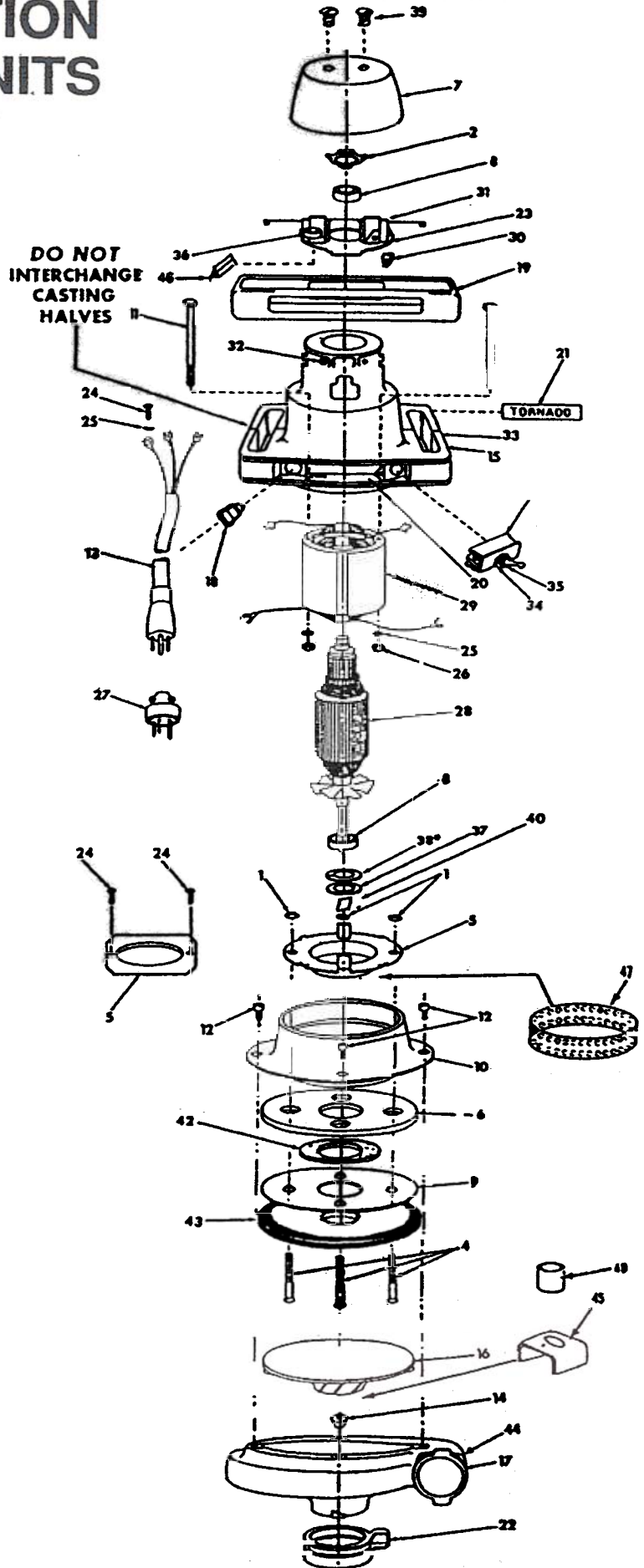
\*\* Windshear™ Blower-Dryer, Insulation Blowers, CW 50, CW 100, and Duo Upright Carpetkeepers™ are warranted for 1 (one) year for parts and labor.

## MAINTENANCE OF MOTOR UNIT

Damage to an armature invariably is caused by permitting carbon brushes to become worn to less than 1/4 inch in length. To prevent this occurrence, inspect brushes after 200 hours operation and frequently thereafter, replacing when necessary. Failure to do so will nullify our warranty.

To inspect brushes, unplug cord, remove top cover by removing screws and release brush spring, pull brushes out and check.

NO OTHER MAINTENANCE OF MOTOR SHOULD BE ATTEMPTED DURING FIRST YEAR AFTER PURCHASE (SEE WARRANTY).



INDEX No.	DESCRIPTION	VOLTAGE		CODE NUMBERS	
		115V	8810F	8910F	
		PART NO.	QTY. RQD.	PART NO.	QTY. RQD.
1	Nut	7533	4	7533	4
2	Load Spring	7858	1	7858	1
3	Switch	8516	1	8516	1
4	Screw	11276	4	11197	4
5	Cooling Fan Baffle	11268	1	11198	1
6	Fiberglass Pad	11269	1	11269	1
7	Top Cover	12436	1	12436	1
8	Bearing	11236	2	11236	2
9	Fan Chamber Plate	11274	1	11274	1
10	Cover Plate S/A	12872	1	12643	1
11	Field Screw	11275	2	11239	2
12	Screw	11240	4	11489	4
13	Cable (115 Volt)	12072	1	12072	1
14	Screw	12997	1	12997	1
15	Motor Fan Housing S/A	11243	1	11243	1
16	Fan	12809	1	12809	1
17	Fan Chamber	13735	1	13735	1
18	Strain Relief Bushing	11252	1	11252	1
19	Bumper	11253	1	11253	1
20	Nameplate (Serial)	11259	1	11259	1
21	Nameplate (Logo)	11900	1	11900	1
22	Intake Guard	11261	1	11261	1
23	Brush Card Assm.	11364	1	11364	1
24	Screw	7534	3	7534	1
25	Lock Washer	1713	3	1713	3
26	Nut	1477	2	1477	2
27	Plug (115 Volt)	8220	1	8220	1
28	Armature (115 Volt)	11270	1	11255	1
29	Field (115 Volt)	11271	1	11256	1
30	"U" Clip	11415	2	11415	2
31	Carbon Brush (115 Volt)	11486	2	11251	2
32	Screw	11245	2	11245	2
33	Screw	11244	4	11244	4
34	Nut (Spaces Switch in Handle)	940	1	940	1
35	Nut (Holds Switch to Handle)	5773	1	5773	1
36	Brush Spg. & Damper S/A	11570	2	11570	2
37	Felt Washer	12602	1	12602	1
38	Splitwasher	12603	1	12603	1
39	Screw	12439	2	12439	2
40	Bushing	12601	2	12601	2
*	Warning Label	14412	1	14412	1
42	Gasket	11555	1	11555	1
43	Gasket	11562	1	11562	1
44	Warning Label	11948	1	11948	1
45	"U" Bracket	12996	1	12996	1
46	Brush Holder Pad	13022	2	13022	2
47	Exhaust Guard			12951	1

\*Not Shown

**HOW TO ORDER REPLACEMENT PARTS**

When ordering, designate Part Number and Description to avoid receiving incorrect items.

Obtain code number from nameplate on motor housing of blower. Refer to exploded View of Motor for index number. Using index number, refer to parts list and code number to obtain correct parts number.