

Ersatzteilliste
Spare Parts List
Liste des pièces de rechange

KM 85/50 W

- 1.351-101.0 KM 85/50 W
- 1.351-102.0 KM 85/50 W
- 1.351-111.0 KM 85/50 W CLASSIC
- 1.351-112.0 KM 85/50 W P

GRUPPE: 1.0 GERAET-EINZELTEILE
GROUP: 1.0 APPLIANCE - PIECE PARTS
GRUPPE: 1.0 USTENSILE-PIECES CONSTIT.

A1

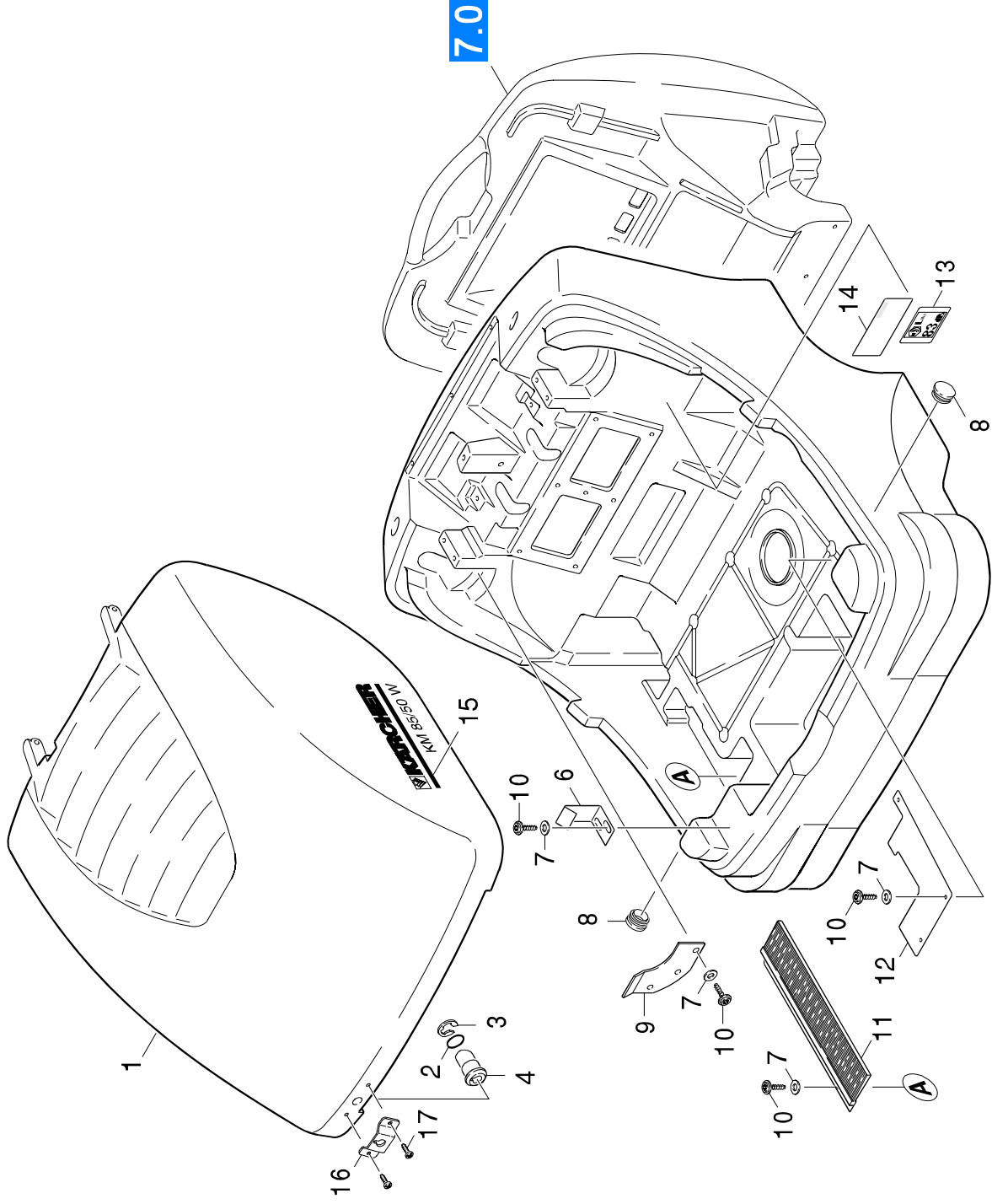
KM 85/50 W

GRUPPE: 1.0 GERAET-EINZELTEILE
GROUP: 1.0 APPLIANCE - PIECE PARTS
GRUPPE: 1.0 USTENSILE-PIECES CONSTIT.

GRUPPE: 1.1 EINZELTEILE
GROUP: 1.1 PIECE PARTS
GROUPE: 1.1 PIECES CONSTITUANTES

B1

KM 85/50 W



GRUPPE: 1.1 EINZELTEILE
 GROUP: 1.1 PIECE PARTS
 GROUPE: 1.1 PIECES CONSTITUANTES

C1

KM 85/50 W

POS. ITEM. POS.	BENENNUNG DESCRIPTION DESIGNATION	TEILE-NR. PART-NO. NO.PIECE	STCK QTY. NBR.
1	HAUBE / COVER / CAPOT / 1.351-102.0	5.069-012.0	1
1	HAUBE / COVER / CAPOT / 1.351-101.0 / -111.0 / -112.0	5.069-027.0	1
2	O-RING 20,0 X 4,0 / GASKET / BAQUE DIETANCHEITE	6.362-413.0	1
3	SICHERUNGSSCHEIBE / LOCK WASHER / RONDELLE D'ARRET	6.343-216.0	1
4	BOLZEN / BOLT / BOULON	5.316-892.0	1
6	BLECHTEIL / PLATE / TOLE	5.048-364.0	1
7	SCHEIBE 5 / WASHER / RONDELLE	7.312-002.0	7
8	ABDECKKAPPE / CAP / CHAPE	6.368-370.0	1
9	BLECHTEIL / PLATE / TOLE	5.059-928.0	1
10	SCHRAUBE 5 X 16 / SCREW / VIS	7.303-107.0	10
11	BLECH / PLATE / TOLE	5.007-876.0	1
12	BLECH / PLATE / TOLE	5.007-580.0	1
13	SCHILD 83 DB / DECAL / PLAQUE	5.385-195.0	1
14	TYPENSCHILD LEER / RATING PLATE / PLAQUE SIGNALETIQUE	5.386-874.0	1
15	SCHILD / DECAL / PLAQUE	5.386-000.0	1
16	BLECHTEIL / PLATE / TOLE	5.058-609.0	1
17	BL.SCHR. ST4,2X 6,5 / SHEET METAL SCREW / VIS A TOLE	7.303-135.0	2

"=> xxxxxx" = bis Werknummer / up to serial No. / jusqu' au No. de fabr. / "xxxxxx =>" = ab Werknummer / from serial No. / a partir du No. de fabr. /

601212

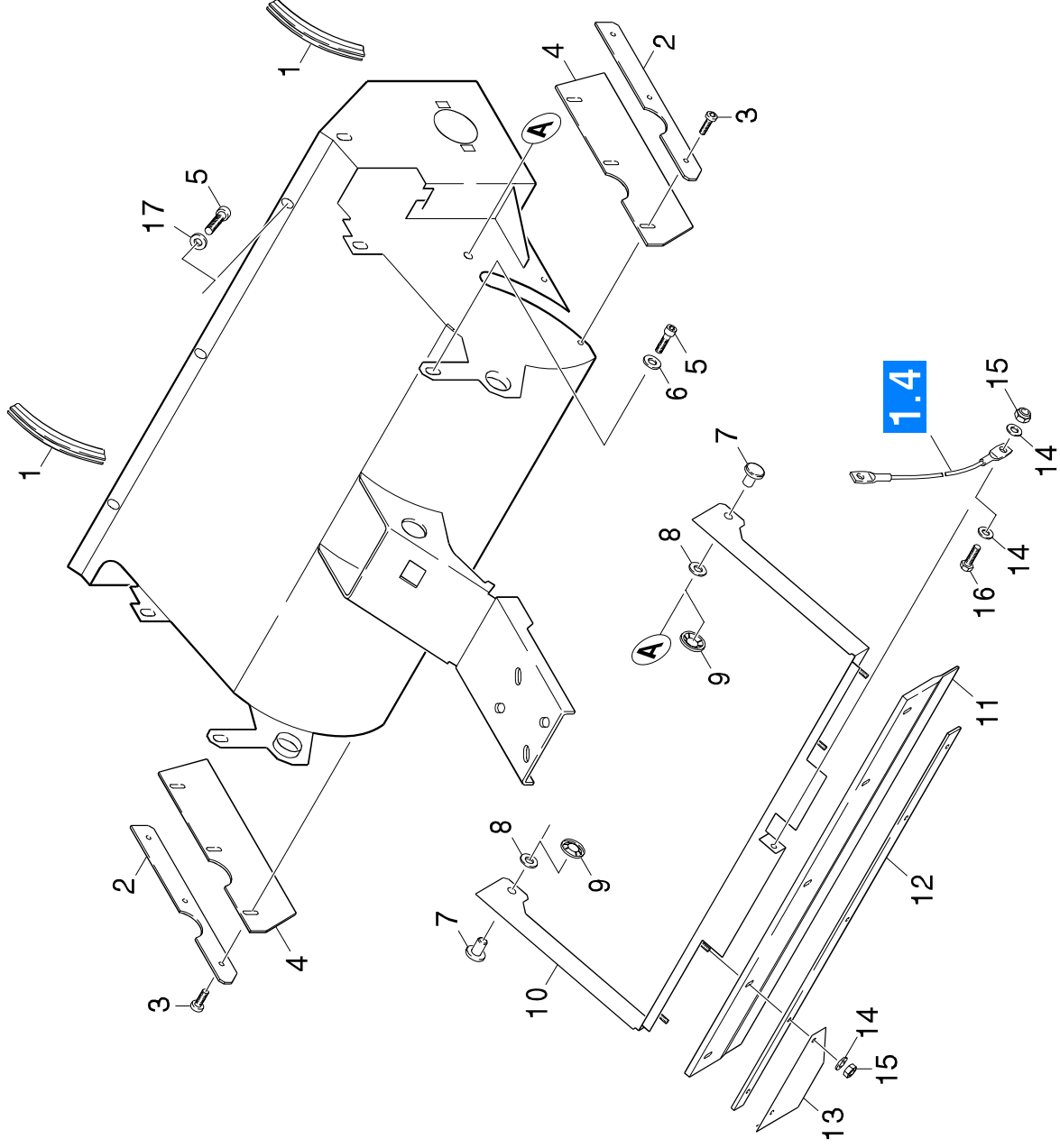
02076030

59700530

GRUPPE: 1.2 EINZELTEILE KW-KAST
GROUP: 1.2 PIECE PARTS
GRUPPE: 1.2 PIÉCES CONSTITUANTES

D1

KM 85/50 W



Symbolbeschreibung siehe M16 / symbol description see M16 / désignation de système voir M16 /

GRUPPE: 1.2 EINZELTEILE KW-KAST
 GROUP: 1.2 PIECE PARTS
 GROUPE: 1.2 PIECES CONSTITUANTES

E1

KM 85/50 W

POS. ITEM. POS.	BENENNUNG DESCRIPTION DESIGNATION	TEILE-NR. PART-NO. NO.PIECE	STCK QTY. NBR.
1	DICHTUNG / SEAL / BOURRAGE	5.364-223.0	2
2	LEISTE / STRIP / BAGUETTE	5.190-212.0	2
3	SCHRAUBE M 5X 12 / SCREW / VIS	7.306-076.0	6
4	SCHUERZE / APRON / TABLIER	5.394-669.0	2
5	ZYL.SCHR. M 8X 16 / CHEESE HEAD SCREW / VIS A TETE CYLINDR.	7.306-040.0	5
6	SCHEIBE 8 / WASHER / RONDELLE	7.312-004.0	1
7	BOLZEN / BOLT / BOULON	5.316-320.0	2
8	SCHEIBE 10 / WASHER / RONDELLE	7.312-074.0	2
9	SCHNELLEFESTIGER / QUICK-FASTENER / ATTACHE RAPIDE	6.343-149.0	2
10	BLECHTEIL / PLATE / TOLE	4.040-149.0	1
11	SCHUERZE VORNE / APRON / TABLIER	5.394-659.0	1
12	LEISTE VORNE / STRIP / BAGUETTE	5.190-199.0	1
13	BLECHTEIL SCHUTZ / PLATE / TOLE	5.059-645.0	1
14	SCHEIBE 5 / WASHER / RONDELLE	7.312-002.0	7
15	6KT-MUTTER M 5 / HEXAGON NUT / ECROU HEXAGONAL	7.311-421.0	6
16	6KT-SCHR. M 5X 16 / HEXAGONAL HEAD SCREW / VIS HEXAGONAL	7.304-460.0	1
17	SCHEIBE 8 / WASHER / RONDELLE	7.312-268.0	3

"=> xxxxxx" = bis Werknummer / up to serial No. / jusqu' au No. de fabr. / "xxxxxx =>" = ab Werknummer / from serial No. / a partir du No. de fabr. /

GRUPPE: 1.3 KEHRWALZE EINZELT.
 GROUP: 1.3 REVERSING ROLLING MILL
 GROUPE: 1.3 TAMBOUR

G1

KM 85/50 W

POS. ITEM. POS.	BENENNUNG DESCRIPTION DESIGNATION	TEILE-NR. PART-NO. NO.PIECE	STCK QTY. NBR.	POS. ITEM. POS.	BENENNUNG DESCRIPTION DESIGNATION	TEILE-NR. PART-NO. NO.PIECE	STCK QTY. NBR.
1	FL.RD.SCHR. M 8X 60 / SAUCER-HEAD SCREW / BOULON A TETE BOMBEE	7.303-169.0	1	29	MITNEHMER / CARRIER / ENTRAINEUR	4.474-026.0	1
2	DISTANZBUCHSE / SPACER / ENTRETOISE	5.112-682.0	1	30	PASSFEDER 5X 5X 16 / SPRING / RESSORT D'ADJUSTAGE	7.318-002.0	1
3	UMLENKROLLE / DEFLECTION PULLEY / POULIE	6.348-276.0	1	31	DISTANZBUCHSE / SPACER / ENTRETOISE	5.112-683.0	1
4	SCHEIBE 8 / WASHER / RONDELLE	7.312-004.0	1	32	RIEMENSCHLEIBE / PULLEY / POULIE	5.625-380.0	1
5	6KT-MUTTER M10 / HEXAGON NUT / ECROU HEXAGONAL	7.311-006.0	1	33	BLECH / PLATE / TOLE	5.001-536.0	4
6	KEILRIEMEN ZX 682 / LARGE V-BELT / COURROIE TRAPEZOID.	7.348-008.0	1	34	6KT-SCHR. M 8X 16 / HEXAGONAL HEAD SCREW / VIS HEXAGONAL	7.304-538.0	4
7	6KT-SCHR. M 6X 20 / HEXAGONAL HEAD SCREW / VIS HEXAGONAL	7.304-536.0	2	38	GABELKOPF G 8X32 / FORK HEAD / CHAPE	7.462-013.0	1
8	SCHEIBE 6 / WASHER / RONDELLE	7.312-276.0	2	39	/ 1.351-102.0 / -112.0		
9	KUGELLAGER 6001-2RS / BALL BEARING / ROULEMENT A BILLE	7.401-111.0	2	39	BOLZEN / BOLT / BOULON	6.316-054.0	1
10	RIEMENSCHLEIBE / PULLEY / POULIE	5.625-422.0	1	40	/ 1.351-102.0 / -112.0		
11	DISTANZBUCHSE / SPACER / ENTRETOISE	5.112-681.0	2	40	BOWDENZUG KPL. / BOWDEN WIRE / CABLE SOUS GAINE	6.431-210.0	1
12	DISTANZBUCHSE / SPACER / ENTRETOISE	5.112-673.0	2	41	/ 1.351-102.0 / -112.0		
13	SCHWINGE / LEVER / AICE	5.059-695.0	1	41	6KT-MUTTER M12 / HEXAGON NUT / ECROU HEXAGONAL	7.311-515.0	1
14	GLEITLAGER MIT BUND D25MM / PLAIN BEARING / PALIER GLISSEUR	6.403-051.0	2	VERSION 2			
	VERSION 1			42	/ 1.351-101.0 / -111.0		
15	/ 1.351-102.0 / -112.0			42	SCHEIBE 12 / WASHER / RONDELLE	7.312-008.0	1
16	S-SCHEIBE 24 / LOCK WASHER / RONDELLE D'ARRET	7.343-045.0	2	VERSION 2			
17	WELLE / SHAFT / ARBRE	5.100-380.0	1	43	GEWINDEBLOCK / THREAD BLOCK / BLOC FILETE	5.030-792.0	2
	VERSION 1			VERSION 2			
19	ZUGFEDER / EXTENSION SPRING / RESSORT DE TRACTION	6.330-079.0	1	44	SCHWINGE KPL. CLASSIC / LEVER / AICE	4.040-282.0	1
	VERSION 1			VERSION 2			
20	/ 1.351-102.0 / -112.0			45	BUCHSE / BUSH / DOUILLE	5.112-715.0	1
21	FLANSCH / FLANGE / BRIDE	5.122-189.0	2	VERSION 2			
22	SCHRAUBE M 6X 16 / SCREW / VIS	7.303-047.0	6	46	/ 1.351-101.0 / -111.0		
23	KUGELLAGER 6003-2RS / BALL BEARING / ROULEMENT A BILLE	7.401-105.0	4	46	GEWINDESTANGE / ROD / TIGE FILETEE	5.309-131.0	1
27	S-RING 17X1 / SPRING CLIP / CIRCLIP	7.343-006.0	2	VERSION 2			
28	MITNEHMER / CARRIER / ENTRAINEUR	4.474-027.0	1	47	BLECH / PLATE / TOLE	5.007-590.0	1
	VERSION 1			VERSION 2			
28	KEHRWALZE PROFIL / REVERSING ROLLING MILL / TAMBOUR	6.906-508.0	1	48	/ 1.351-101.0 / -111.0		
	VERSION 1			48	STERNGRIF K 50 / CONTROL KNOB / POIGNEE-ETOILE	6.321-028.0	1
	/ 1.351-102.0 / -112.0			VERSION 2			
	VERSION 1			/ 1.351-101.0 / -111.0			

"=> xxxxxx" = bis Werknummer / up to serial No. / jusqu' au No. de fabr. / "xxxxxx =>" = ab Werknummer / from serial No. / a partir du No. de fabr. /

GRUPPE: 1.3 KEHRWALZE EINZELT.
GROUP: 1.3 REVERSING ROLLING MILL
GROUPE: 1.3 TAMBOUR

H1

KM 85/50 W

POS. ITEM. POS.	BENENNUNG DESCRIPTION DESIGNATION	TEILE-NR. PART-NO. NO.PIECE	STCK QTY. NBR.
49	SCHILD / DECAL / PLAQUE VERSION 2 / 1.351-101.0 / -111.0	5.385-703.0	1
50	GLEITLAGER M BUND / PLAIN BEARING / PALIER GLISSEUR VERSION 2 / 1.351-101.0 / -111.0	6.403-034.0	2
51	SCHRAUBE 5 X 25 / SCREW / VIS VERSION 2 / 1.351-101.0 / -111.0	7.303-105.0	2
52	SCHRAUBE M 6X 10 / SCREW / VIS VERSION 2 / 1.351-101.0 / -111.0	7.306-087.0	2

"=> xxxxxx" = bis Werknummer / up to serial No. / jusqu' au No. de fabr. / "xxxxxx =>" = ab Werknummer / from serial No. / a partir du No. de fabr. /

601199

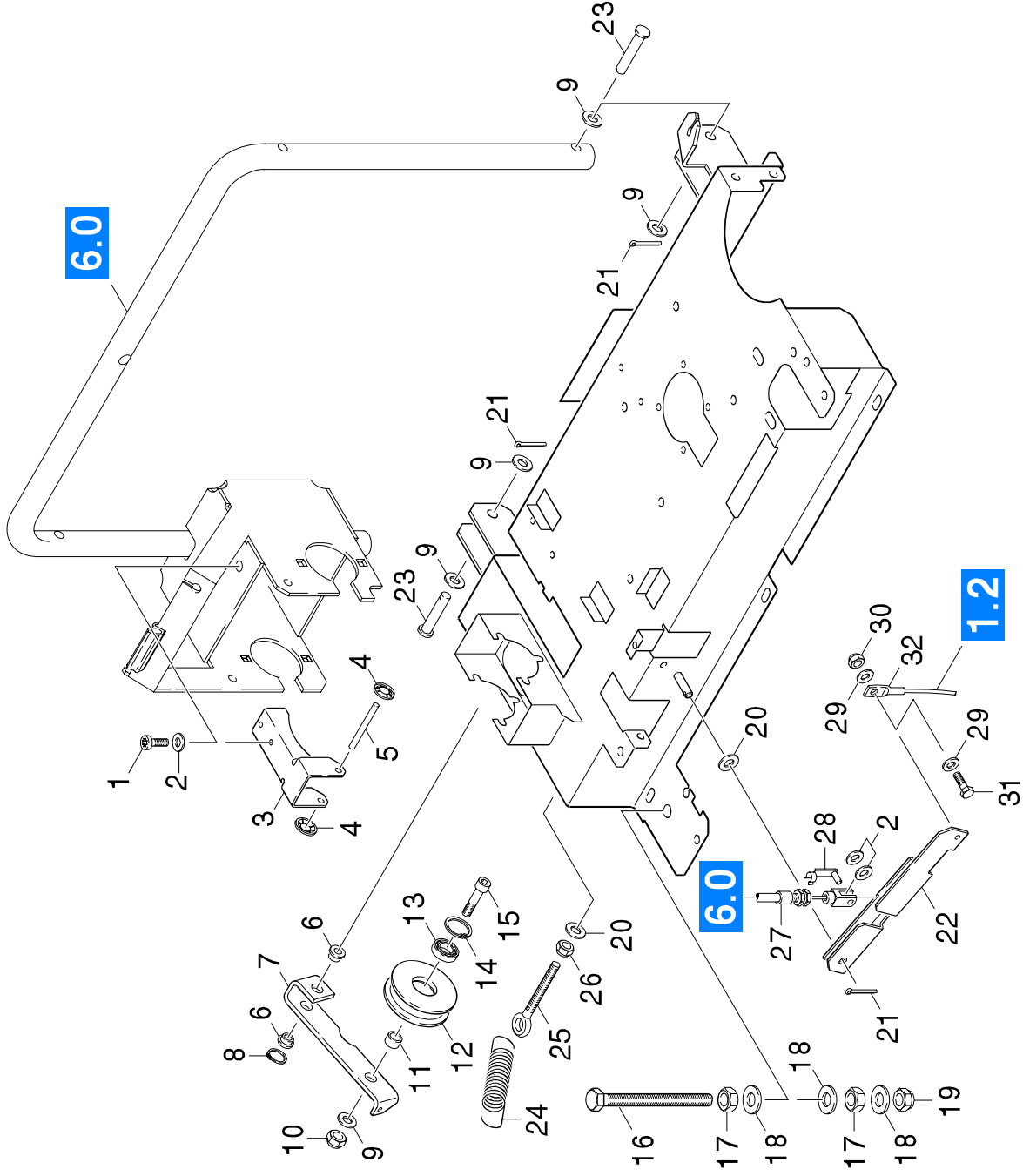
02075890

59700530

GRUPPE: 1.4 ANTRIEB KEHRWALZE
GROUP: 1.4 GEAR
GRUPPE: 1.4 ENTRAINEMENT

I1

KM 85/50 W



Symbolbeschreibung siehe M16 / symbol description see M16 / désignation de système voir M16 /

GRUPPE: 1.4 ANTRIEB KEHRWALZE
 GROUP: 1.4 GEAR
 GRUPE: 1.4 ENTRAINEMENT

J1

KM 85/50 W

POS. ITEM. POS.	BENENNUNG DESCRIPTION DESIGNATION	TEILE-NR. PART-NO. NO.PIECE	STCK QTY. NBR.	POS. ITEM. POS.	BENENNUNG DESCRIPTION DESIGNATION	TEILE-NR. PART-NO. NO.PIECE	STCK QTY. NBR.
1	SCHRAUBE M 6X 12 / SCREW / VIS / 1.351-102.0 / -112.0	7.303-046.0	2	26	6KT-MUTTER M 8 / HEXAGON NUT / ECROU HEXAGONAL	7.311-004.0	1
2	SCHEIBE 6 / WASHER / RONDELLE STUECKZAHL NACH BEDARF/QUANTITY ACCORDING TO DEMAND/NOMBRE DE PIECES AU BESOIN	7.312-003.0	4	27	BOWDENZUG KPL. / BOWDEN WIRE / CABLE SOUS GAINÉ / 1.351-102.0 / -112.0	6.431-211.0	1
3	BLECHTEIL / PLATE / TOLE	5.059-827.0	1	27	BOWDENZUG KPL. / BOWDEN WIRE / CABLE SOUS GAINÉ / 1.351-101.0 / -111.0	6.431-228.0	1
4	SICHERUNGSSCHEIBE / LOCK WASHER / RONDELLE D'ARRET	6.343-119.0	2	28	BOLZEN D6 / BOLT / BOULON	6.316-093.0	1
5	BOLZEN / BOLT / BOULON / 1.351-102.0 / -112.0	5.317-063.0	1	29	SCHEIBE 5 / WASHER / RONDELLE	7.312-002.0	2
6	BUCHSE / BUSH / DOUILLE	6.347-023.0	2	30	6KT-MUTTER M 5 / HEXAGON NUT / ECROU HEXAGONAL	7.311-421.0	1
7	BLECHTEIL / PLATE / TOLE	5.059-869.0	1	31	6KT-SCHR. M 5X 16 / HEXAGONAL HEAD SCREW / VIS HEXAGONAL	7.304-460.0	1
8	S-RING 8X0.8 / SPRING CLIP / CIRCLIP	7.343-014.0	1	32	SEILZUG / TACKLE / TIRANT ACABLE	6.431-212.0	1
9	SCHEIBE 10 / WASHER / RONDELLE	7.312-005.0	5				
10	6KT-MUTTER M10 / HEXAGON NUT / ECROU HEXAGONAL	7.311-511.0	1				
11	DISTANZBUCHSE / SPACER / ENTRETOISE	5.112-687.0	1				
12	SPANNROLLE / ADJUSTER / GALET TENDEUR	5.625-415.0	1				
13	KUGELLAGER 6000-2RS / BALL BEARING / ROULEMENT A BILLE	7.401-091.0	1				
14	S-RING 26X 1.2 / SPRING CLIP / CIRCLIP	7.343-232.0	1				
15	SCHRAUBE M10X 35 / SCREW / VIS	7.306-224.0	1				
16	6KT-SCHR. M12X140 / HEXAGONAL HEAD SCREW / VIS HEXAGONAL	7.304-054.0	1				
17	/ 1.351-102.0 / -112.0						
17	6KT-MUTTER M12 / HEXAGON NUT / ECROU HEXAGONAL	7.311-008.0	2				
18	/ 1.351-102.0 / -112.0						
18	SCHEIBE 12 / WASHER / RONDELLE	7.312-008.0	3				
19	/ 1.351-102.0 / -112.0						
19	6KT-MUTTER M12 / HEXAGON NUT / ECROU HEXAGONAL	7.311-515.0	1				
20	/ 1.351-102.0 / -112.0						
20	SCHEIBE 8 / WASHER / RONDELLE	7.312-004.0	2				
21	SPLINT 3,2X 20 / COTTER / GOUPILLE FENDUE	7.316-342.0	3				
22	BLECHTEIL / PLATE / TOLE	5.007-603.0	1				
23	BOLZEN B 10,0X 45 / BOLT / BOULON	7.316-206.0	2				
24	ZUGFEDER / EXTENSION SPRING / RESSORT DE TRACTION	6.330-139.0	1				
25	AUGENSCHR LAM 8X 80 / SCREW / BOULON	6.373-700.0	1				

"=> xxxxxx" = bis Werknummer / up to serial No. / jusqu' au No. de fabr. / "xxxxxx =>" = ab Werknummer / from serial No. / a partir du No. de fabr. /

601200

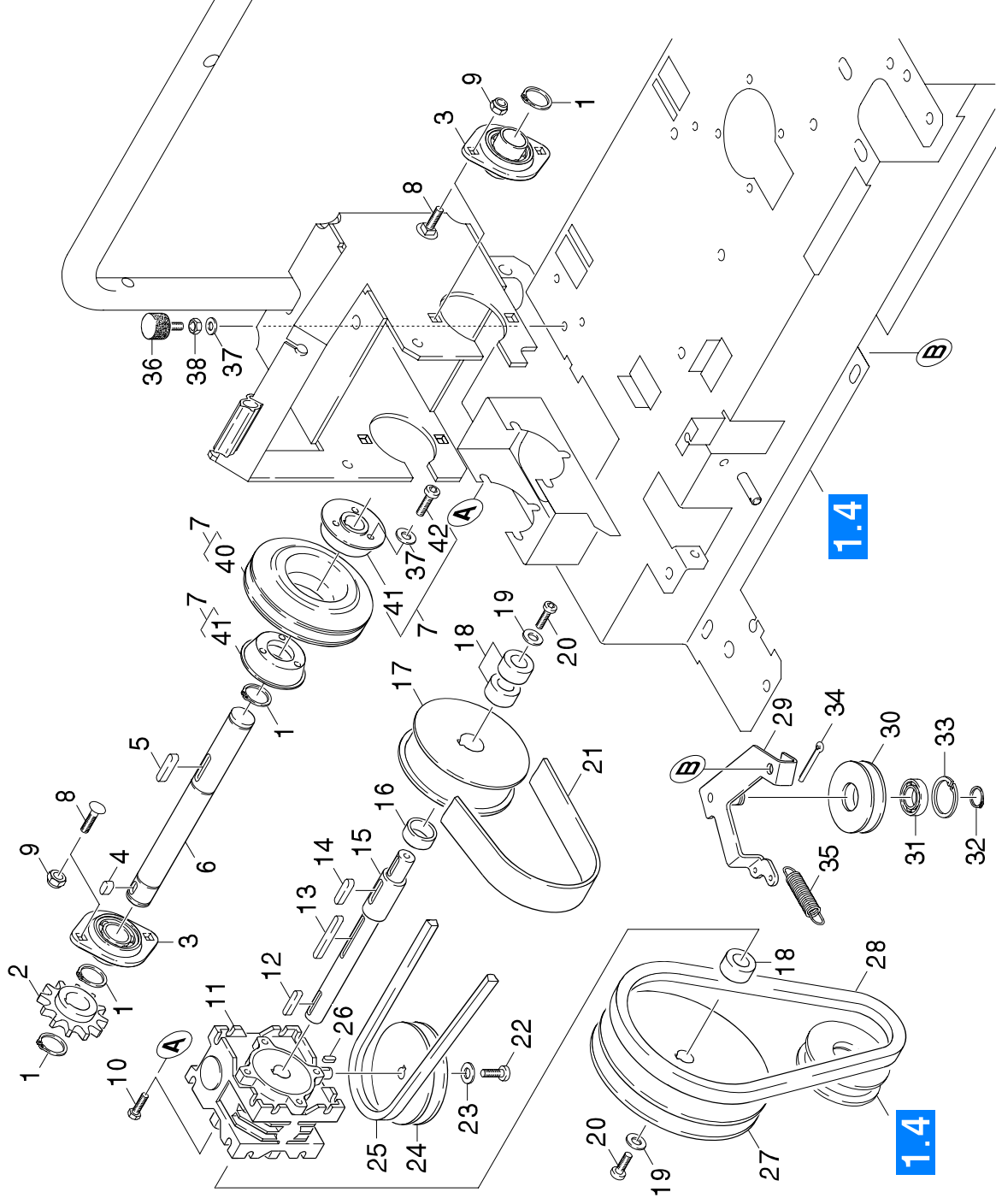
02075900

59700530

GRUPPE: 1.5 ANTRIEB EINZELTEILE
GROUP: 1.5 GEAR
GROUPE: 1.5 ENTRAINEMENT

K1

KM 85/50 W



Symbolbeschreibung siehe M16 / symbol description see M16 / désignation de système voir M16 /

GRUPPE: 1.5 ANTRIEB EINZELTEILE
 GROUP: 1.5 GEAR
 GRUPE: 1.5 ENTRAINEMENT

L1

KM 85/50 W

POS. ITEM. POS.	BENENNUNG DESCRIPTION DESIGNATION	TEILE-NR. PART-NO. NO.PIECE	STCK QTY. NBR.	POS. ITEM. POS.	BENENNUNG DESCRIPTION DESIGNATION	TEILE-NR. PART-NO. NO.PIECE	STCK QTY. NBR.
1	S-RING A 20X 1,2 / SPRING CLIP / CIRCLIP	7.343-040.0	4	34	SPLINT 3,2X 20 / COTTER / GOUPILLE FENDUE	7.316-342.0	1
2	KETTENRAD / CHAIN WHEEL / ROUE DENTEE	6.432-241.0	1	35	ZUGFEDER / EXTENSION SPRING / RESSORT DE TRACTION	6.330-043.0	1
3	FLANSchLAGER / FLANGED BEARING / FLASQUE-BRIDE	6.401-231.0	2	36	GUMMIPUFFER / RUBBER BUFFER / BUTOIR CAOUTCHOUC	6.339-105.0	1
4	PASSFEDER 6X 6X 12 / SPRING / RESSORT D'ADJUSTAGE	7.318-004.0	1	37	SCHEIBE 6 / WASHER / RONDELLE	7.312-003.0	4
5	PASSFEDER 6X 6X 28 / SPRING / RESSORT D'ADJUSTAGE	7.318-031.0	1	38	6KT-MUTTER M 6 / HEXAGON NUT / ECROU HEXAGONAL	7.311-003.0	1
6	WELLE / SHAFT / ARBRE	5.100-392.0	1	40	REIFEN / TIRE / PNEUS	6.435-223.0	1
7	REIBRAD KPL. / FRICTIONAL WHEEL / ROUE DE FRICTION	4.515-082.0	1	41	FELGE / WHEEL RIM / JANTE	5.515-194.0	1
8	FL.RD.SCHR. M 8X 16 / SAUCER-HEAD SCREW / BOULON A TETE BOMBEE	7.303-193.0	4	42	SCHRAUBE M 6X 50 / SCREW / VIS	7.306-133.0	3
9	6KT-MUTTER M 8 / HEXAGON NUT / ECROU HEXAGONAL	7.311-510.0	4				
10	6KT-SCHR. M 6X 12 / HEXAGONAL HEAD SCREW / VIS HEXAGONAL	7.304-382.0	6				
11	SCHNECKENGETRIEBE / WORM GEARING / ENGRENAGE A VIS	6.454-126.0	1				
12	PASSFEDER A 5X5X 25 / SPRING / RESSORT D'ADJUSTAGE	7.318-079.0	1				
13	PASSFEDER 5X 5X 40 / SPRING / RESSORT D'ADJUSTAGE	7.318-009.0	1				
14	PASSFEDER 6X 6X 25 / SPRING / RESSORT D'ADJUSTAGE	7.318-030.0	1				
15	WELLE / SHAFT / ARBRE	5.100-385.0	1				
16	BUCHSE / BUSH / DOUILLE	5.112-688.0	1				
17	REIBRAD / FRICTIONAL WHEEL / ROUE DE FRICTION	5.355-006.0	1				
18	DISTANZBUCHSE / SPACER / ENTRETOISE	5.112-672.0	3				
19	SCHEIBE 6 / WASHER / RONDELLE	7.312-276.0	2				
20	SCHRAUBE M 5X 16 / SCREW / VIS	7.306-077.0	2				
21	FLACHRIEMEN / FLAT BLET / COURROIE PLATE / 1.351-102.0 / -112.0	6.348-394.0	1				
22	SCHRAUBE M 4X 12 / SCREW / VIS	7.306-058.0	1				
23	SCHEIBE 5 / WASHER / RONDELLE	7.312-264.0	1				
24	RIEMENSCHLEIBE / PULLEY / POULIE	5.625-423.0	1				
25	S-K-RIEMEN XPZ 960 / V-BELT / COURROIE TRAPEZOID	7.348-231.0	1				
26	PASSFEDER 3X 3X 10 / SPRING / RESSORT D'ADJUSTAGE	7.318-006.0	1				
27	RIEMENSCHLEIBE / PULLEY / POULIE	5.625-411.0	1				
28	KEILRIEMEN AX 800 / LARGE V-BELT / COURROIE TRAPEZOID.	7.348-009.0	1				
29	RIEMENSPANNER KPL. / BELT STRETCHER / TENDEUR DE COURROIE	4.622-012.0	1				
30	RIEMENSCHLEIBE / PULLEY / POULIE	5.625-410.0	1				
31	KUGELLAGER 6001-2RS / BALL BEARING / ROULEMENT A BILLE	7.401-111.0	1				
32	S-RING 12X1 / SPRING CLIP / CIRCLIP	7.343-003.0	1				
33	S-RING 28X1,2 / SPRING CLIP / CIRCLIP	7.343-151.0	1				

"=> xxxxxx" = bis Werknummer / up to serial No. / jusqu' au No. de fabr. / "xxxxxx =>" = ab Werknummer / from serial No. / a partir du No. de fabr. /

601211

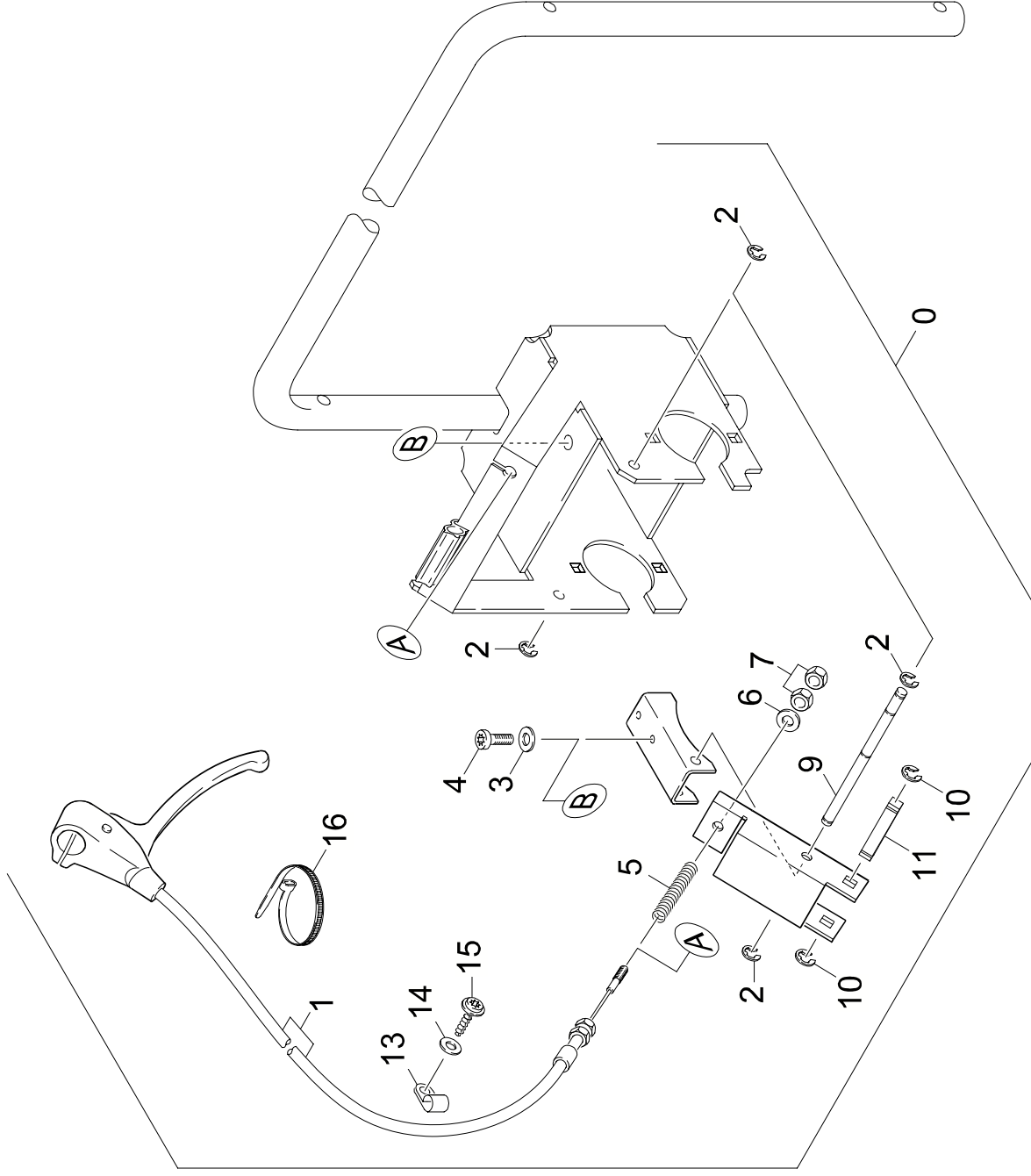
02076040

59700530

GRUPPE: 1.6 ABS BREMSE / 10011 =>
GROUP: 1.6 ADD-ON KIT / 10011 =>
GRUPPE: 1.6 KIT PORTEE / 10011 =>

M1

KM 85/50 W



Symbolbeschreibung siehe M16 / symbol description see M16 / désignation de système voir M16 /

601220

02076710

59700530

GRUPE: 1.6 ABS BREMSE / 10011 =>
GROUP: 1.6 ADD-ON KIT / 10011 =>
GRUPE: 1.6 KIT PORTEE / 10011 =>

M1

KM 85/50 W

POS.	BENENNUNG ITM. DESCRIPTION POS. DESIGNATION	TEILE-NR. PART-NO. NO.PIECE	STCK QTY. NBR.
0	ABS BREMSE / ADD-ON KIT / KIT PORTEE / 1.351-101.0 / -112.0	2.640-301.0	1
1	BOWDENZUG KPL. / BOWDEN WIRE / CABLE SOUS GAINÉ	6.431-221.0	1
2	S-SCHEIBE 8 / LOCK WASHER / RONDELLE D'ARRET	7.343-302.0	1
3	SCHEIBE 6 / WASHER / RONDELLE	7.312-003.0	1
4	SCHRAUBE M 6 X 12 / SCREW / VIS	7.303-046.0	1
5	DRUCKFEDER / PRESSURE SPRING / RESSORT A PRESSION	6.330-217.0	1
6	SCHEIBE 8 / WASHER / RONDELLE	7.312-004.0	1
7	6KT-MUTTER M 8 / HEXAGON NUT / ECROU HEXAGONAL	7.311-224.0	2
9	ACHSE / AXLE / ESSIEU	5.105-380.0	1
10	S-SCHEIBE 9 / LOCK WASHER / RONDELLE D'ARRET	7.343-205.0	2
11	WELLE / SHAFT / ARBRE	5.100-426.0	1
13	ROHRSCHELLE / PIPE CLAMP / COLLIER D'ATTACHE	6.373-670.0	1
14	SCHEIBE 5 / WASHER / RONDELLE	7.312-002.0	1
15	SCHRAUBE 5 X 16 / SCREW / VIS	7.303-107.0	1
16	KABELBAND / CABLE TIE / PROTECT. DE CABLE	6.641-458.0	1

"=> xxxxxx" = bis Werknummer / up to serial No. / jusqu' au No. de fabr. / "xxxxxx =>" = ab Werknummer / from serial No. / a partir du No. de fabr. /

601220

02076710

59700530

GRUPPE: 2.0 ANTRIEB
GROUP: 2.0 GEAR
GRUPPE: 2.0 ENTRAINEMENT

A2

KM 85/50 W

**GRUPPE: 2.0 ANTRIEB
GROUP: 2.0 GEAR
GRUPPE: 2.0 ENTRAINEMENT**

GRUPPE: 2.1 FAHRANTRIEB
 GROUP: 2.1 GEAR
 GROUPE: 2.1 ENTRAÎNEMENT

C2

KM 85/50 W

POS. ITEM. POS.	BENENNUNG DESCRIPTION DESIGNATION	TEILE-NR. PART-NO. NO.PIECE	STCK QTY. NBR.	POS. ITEM. POS.	BENENNUNG DESCRIPTION DESIGNATION	TEILE-NR. PART-NO. NO.PIECE	STCK QTY. NBR.
1	RAD KPL. / WHEEL / ROUE VERSION 1 / 1.351-102.0 / -112.0	6.435-222.0	2	26	RAD KPL. / WHEEL / ROUE VERSION 2	6.435-697.0	2
2	ROLLENKETTE / ROLLER CHAIN / CHAÎNE A ROULEAUX	6.432-245.0	1	27	6KT-MUTTER M 6 / HEXAGON NUT / ECROU HEXAGONAL VERSION 2 / 1.351-101.0 / -111.0	7.311-003.0	4
3	PASSFEDER 6X 6X 32 / SPRING / RESSORT D'ADJUSTAGE VERSION 1 / 1.351-102.0 / -112.0	7.318-032.0	2	28	BLECH KLINKE RECHTS / PLATE / TOLE VERSION 2	5.007-813.0	1
4	FLANSCHLAGER / FLANGED BEARING / FLASQUE-BRIDE	6.401-231.0	2	29	ZUGFEDER / EXTENSION SPRING / RESSORT DE TRACTION VERSION 2 / 1.351-101.0 / -111.0	6.330-068.0	2
5	DIFFERENTIALACHSE / DIFFERENTIAL AXLE / ESSIEU DE DIFFERENTIEL VERSION 1 / 1.351-102.0 / -112.0	6.437-517.0	1	30	6KT-MUTTER M 6 / HEXAGON NUT / ECROU HEXAGONAL VERSION 2 / 1.351-101.0 / -111.0	7.311-512.0	2
6	S-RING 20X1,2 / SPRING CLIP / CIRCLIP	7.343-007.0	5	32	BLECH / PLATE / TOLE VERSION 2 / 1.351-101.0 / -111.0	5.007-814.0	2
7	SCHEIBE 8 / WASHER / RONDELLE	7.312-004.0	8	33	WELLE / SHAFT / ARBRE VERSION 2 / 1.351-101.0 / -111.0	5.100-431.0	1
8	6KT-MUTTER M10 / HEXAGON NUT / ECROU HEXAGONAL	7.311-006.0	4	34	PASSFEDER 6X 6X 28 / SPRING / RESSORT D'ADJUSTAGE VERSION 2 / 1.351-101.0 / -111.0	7.318-031.0	1
9	FL.RD.SCHR. M 8 X 16 / SAUCER-HEAD SCREW / BOULON A TETE BOMBEE HEXAGONAL	7.303-193.0	4	35	KETTENRAD / CHAIN WHEEL / ROUE DENTEE VERSION 2 / 1.351-101.0 / -111.0	6.432-249.0	1
10	6KT-SCHR. M10X 70 / HEXAGONAL HEAD SCREW / VIS HEXAGONAL	7.304-062.0	1	36	SCHLAUCHSTUECK / HOSE / BOUT DE TUYAU / 1.351-101.0 / -111.0	5.441-030.0	2
11	HUELSE / SLEEVE / DOUILLE	5.110-509.0	2	37	BLECH KLINKE LINKS / PLATE / TOLE VERSION 2 / 1.351-101.0 / -111.0	5.007-841.0	1
12	S-RING 26X 1,2 / SPRING CLIP / CIRCLIP	7.343-232.0	2				
13	KETTENRAD / CHAIN WHEEL / ROUE DENTEE	6.432-093.0	1				
14	KUGELLAGER 6000-2RS / BALL BEARING / ROULEMENT A BILLE	7.401-091.0	1				
15	DISTANZBUCHSE / SPACER / ENTRETOISE	5.112-687.0	2				
16	6KT-MUTTER M10 / HEXAGON NUT / ECROU HEXAGONAL	7.311-423.0	2				
17	SCHEIBE 10 / WASHER / RONDELLE	7.312-005.0	5				
18	6KT-SCHR. M10X 50 / HEXAGONAL HEAD SCREW / VIS HEXAGONAL	7.304-514.0	2				
19	KETTENSANNER KPL. / CHAIN TIGHTENER / TENDEUR DE CHAÎNE	4.622-013.0	1				
21	ZYL.SCHR. M 8X 20 / CHEESE HEAD SCREW / VIS A TETE CYLINDR.	7.306-041.0	4				
22	LENKROLLE / CASTOR / ROUE PIVOTANTE	6.435-669.0	1				
23	BUERSTENLEISTE / BRUSH STRIP / ELEMENT DE BROSSE	6.906-541.0	2				
24	SCHRAUBE M 5X 12 / SCREW / VIS	7.303-038.0	4				
25	S-RING 17X1 / SPRING CLIP / CIRCLIP VERSION 2 / 1.351-101.0 / -111.0	7.343-029.0	2				

"=> xxxxxx" = bis Werknummer / up to serial No. / jusqu' au No. de fabr. / "xxxxxx =>" = ab Werknummer / from serial No. / a partir du No. de fabr. /

601202

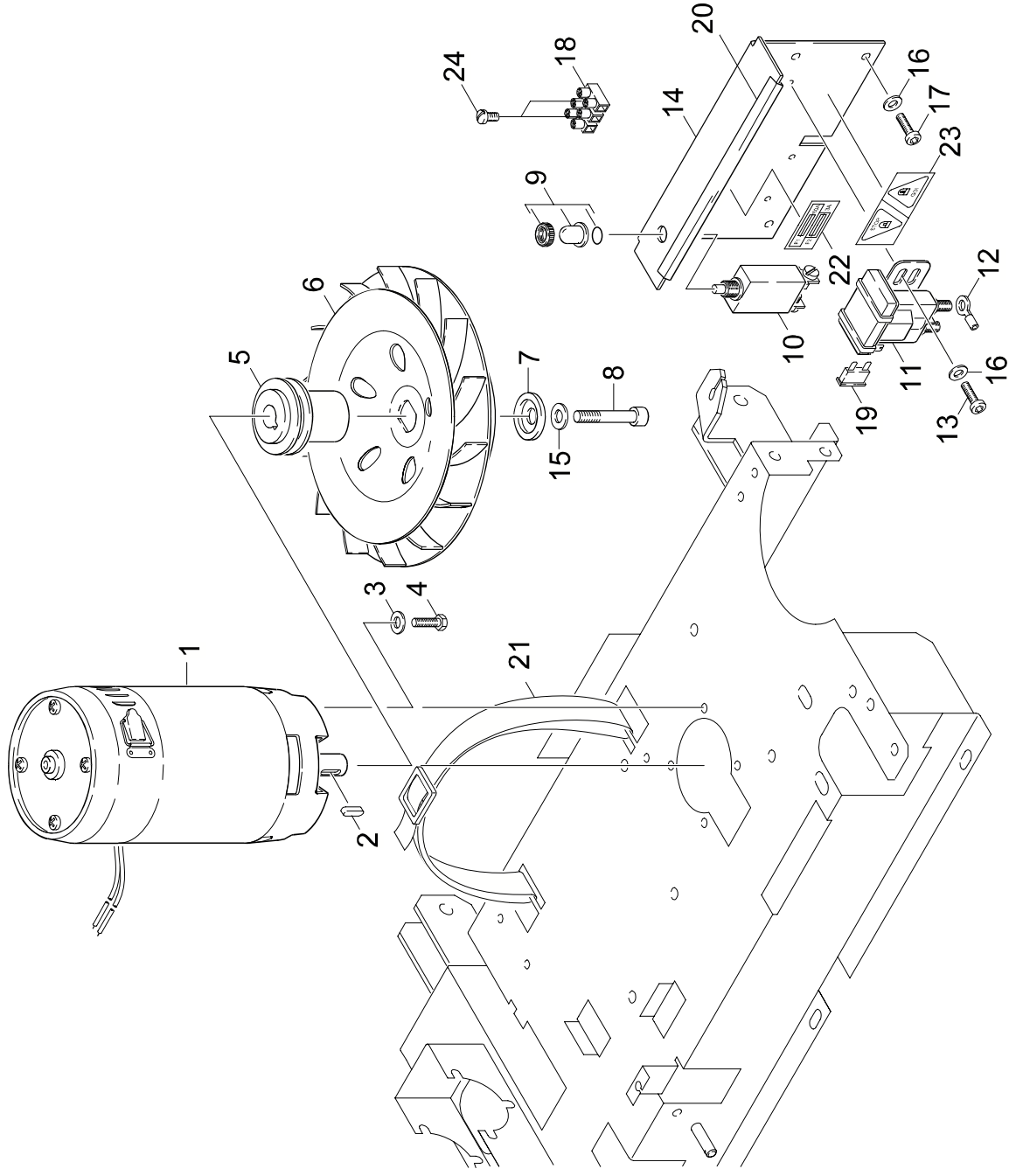
02075920

59700530

GRUPPE: 2.2 E-MOTOR
GROUP: 2.2 ELECTRIC MOTOR
GROUPE: 2.2 MOTEUR ELECTRIQUE

D2

KM 85/50 W



Symbolbeschreibung siehe M16 / symbol description see M16 / désignation de système voir M16 /

601210

02076060

59700530

GRUPE: 2.2 E-MOTOR
 GROUP: 2.2 ELECTRIC MOTOR
 GROUPE: 2.2 MOTEUR ELECTRIQUE

E2

KM 85/50 W

POS. ITEM. POS.	BENENNUNG DESCRIPTION DESIGNATION	TEILE-NR. PART-NO. NO.PIECE	STCK QTY. NBR.
1	GLEICHSTROMMOTOR / DC MOTOR / MOTEUR C.C.	6.613-077.0	1
2	PASSFEDER 5X 5X 20 / SPRING / RESSORT D'ADJUSTAGE	7.318-070.0	1
3	SCHEIBE 6 / WASHER / RONDELLE	7.312-003.0	4
4	6KT-SCHR. M 6X 20 / HEXAGONAL HEAD SCREW / VIS HEXAGONAL	7.304-536.0	4
5	MOTORWELLE / MOTOR SHAFT / ARBRE DU MOTEUR	5.100-395.0	1
6	GEBLAESERAD / BLOWER WHEEL / ROUE DE VENTILATEUR	6.484-257.0	1
7	HUELSE / SLEEVE / DOUILLE	5.110-817.0	1
8	ZYL.SCHR. M 8X 60 / CHEESE HEAD SCREW / VIS A TETE CYLINDR.	7.306-047.0	1
9	SCHUTZKAPPE / PROTECTING CAP / CAPOT PROTECTION	6.635-388.0	1
	/ 1.351-102.0 / -112.0		
10	E-SICHERUNG KPL. / FUSE / FUSIBLE	6.644-243.0	1
	/ 1.351-101.0 / -111.0		
10	SICHERUNGSAUTOMAT / SAFETY CUTOUT / COUPE CIRCUIT	6.644-313.0	1
	/ 1.351-102.0 / -112.0		
11	LEISTUNGSRELAIS / POWER RELAY / RELAIS DE PUISSANCE	6.633-389.0	1
12	KABELSCHUH / CABLE BRACKET / COSSE DE CABLE	6.641-259.0	1
13	SCHRAUBE M 5X 10 / SCREW / VIS	7.303-037.0	2
14	BLECHTEIL / PLATE / TOLE	5.059-903.0	1
15	SCHEIBE 8 / WASHER / RONDELLE	7.312-004.0	1
16	SCHEIBE 5 / WASHER / RONDELLE	7.312-002.0	6
17	SCHRAUBE 5 X 16 / SCREW / VIS	7.303-107.0	4
18	KLEMMLEISTE 3 POL / STRIP TERMINAL / BORNE PLATE	6.643-072.0	1
	/ 1.351-112.0		
19	SICHERUNGSEINS C3 / FUSE INSERT / CARTOUCHE FUSIBLE	7.644-006.0	1
20	KANTENSCHUTZ / SHEATING / BORD DE PROTECTION	5.364-180.0	1
	ALS METERWARE BESTELLEN/TO ORDER AS CUT GOODS/COMMANDE COMME MARCHANDISE AU METRE		
21	SPANNGURT / RETAINING BELT / COURROIE DE TENSION	6.277-607.0	1
22	SCHILD / DECAL / PLAQUE	5.385-389.0	1
	/ 1.351-102.0 / -112.0		
22	SCHILD / DECAL / PLAQUE	5.385-390.0	1
	/ 1.351-101.0 / -111.0		
23	SCHILD / DECAL / PLAQUE	5.380-400.0	1
	/ 1.351-102.0 / -112.0		
24	SCHRAUBE M 3X 20 / SCREW / VIS	7.303-029.0	2
	/ 1.351-102.0 / -112.0		

"=> xxxxxx" = bis Werknummer / up to serial No. / jusqu' au No. de fabr. / "xxxxxx =>" = ab Werknummer / from serial No. / a partir du No. de fabr. /

601210

02076060

59700530

GRUPPE: 3.0 FILTERKASTEN
GROUP: 3.0 FILTER BOX
GRUPPE: 3.0 FILTRE

A3

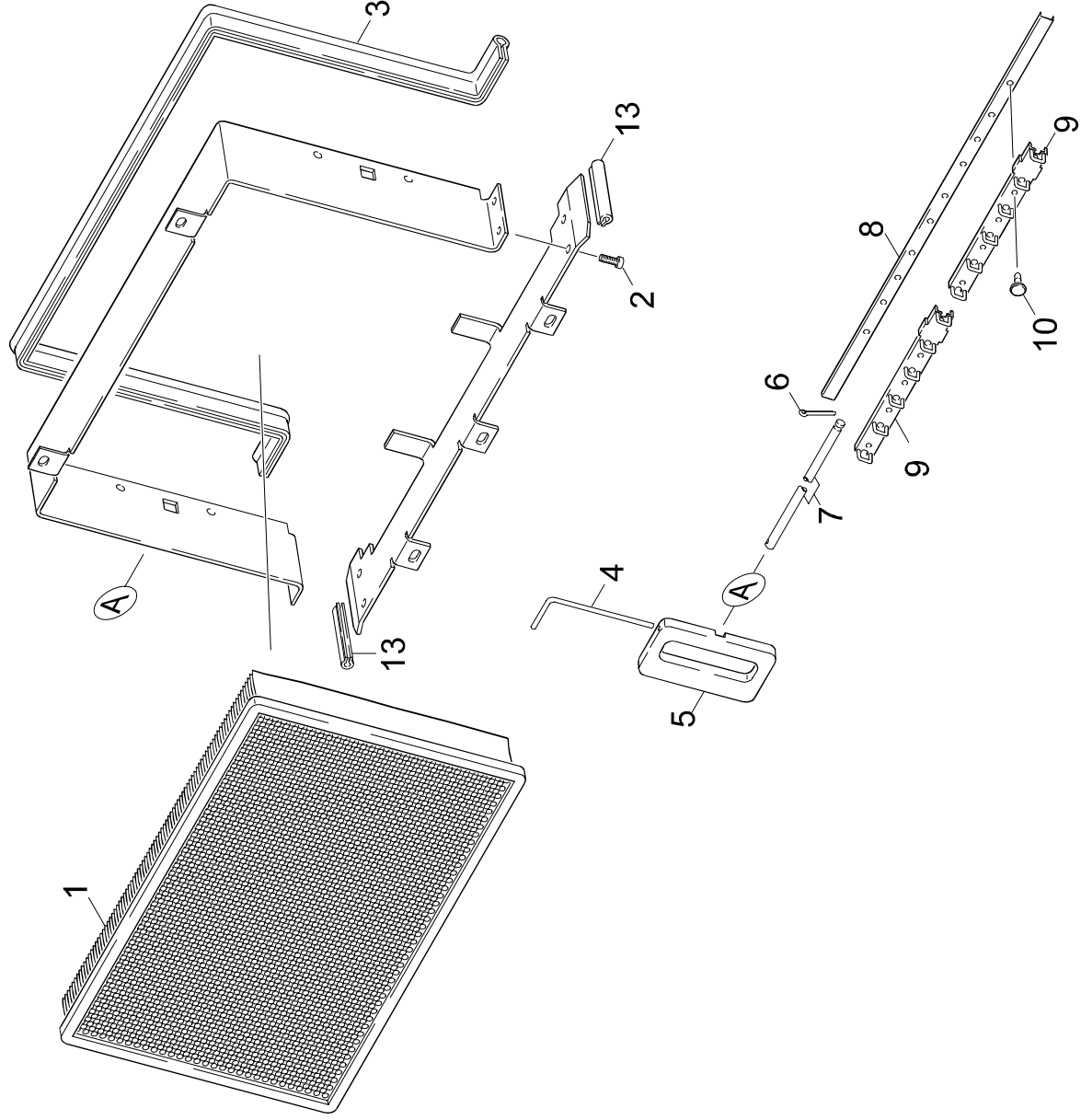
KM 85/50 W

GRUPPE: 3.0 FILTERKASTEN
GROUP: 3.0 FILTER BOX
GRUPPE: 3.0 FILTRE

GRUPPE: 3.0 FILTERKASTEN
GROUP: 3.0 FILTER BOX
GRUPPE: 3.0 FILTRE

B3

KM 85/50 W



Symbolbeschreibung siehe M16 / symbol description see M16 / désignation de système voir M16 /

GRUPE: 3.0 FILTERKASTEN
GROUP: 3.0 FILTER BOX
GRUPE: 3.0 FILTRE

C3

KM 85/50 W

POS. ITEM. POS.	BENENNUNG DESCRIPTION DESIGNATION	TEILE-NR. PART-NO. NO.PIECE	STCK QTY. NBR.
1	FILTER / FILTER / FILTRE	5.731-585.0	1
2	SCHRAUBE M6X12 / SCREW / VIS	7.303-046.0	4
3	DICHTUNG / SEAL / BOURRAGE	5.364-170.0	1
4	HAKEN / HOOK / PATERE	5.037-061.0	1
5	GRIFF / HANDLE / POIGNEE	5.321-115.0	1
6	SPLINT 3.2X20 / COTTER / GOUPILLE FENDUE	7.316-342.0	1
7	STANGE / BAR / TIGE	5.107-239.0	1
8	BLECHTEIL / PLATE / TOLE	5.059-896.0	1
9	ABSTREIFER / STRIPPER / DEVETISSEUR	5.030-900.0	2
10	NIET / RIVET / RIVET	6.315-068.0	10
13	DICHTUNG / SEAL / BOURRAGE	5.364-226.0	2
14	ZYL.SCHR. M8X12 / CHEESE HEAD SCREW / VIS A TETE CYLINDR.	7.306-119.0	5

"=> xxxxxx" = bis Werknummer / up to serial No. / jusqu' au No. de fabr. / "xxxxxx =>" = ab Werknummer / from serial No. / a partir du No. de fabr. /

601203

02075930

59700530

GRUPPE: 4.0 SEITENBESEN
GROUP: 4.0 BROOM
GRUPPE: 4.0 BALAI

A4

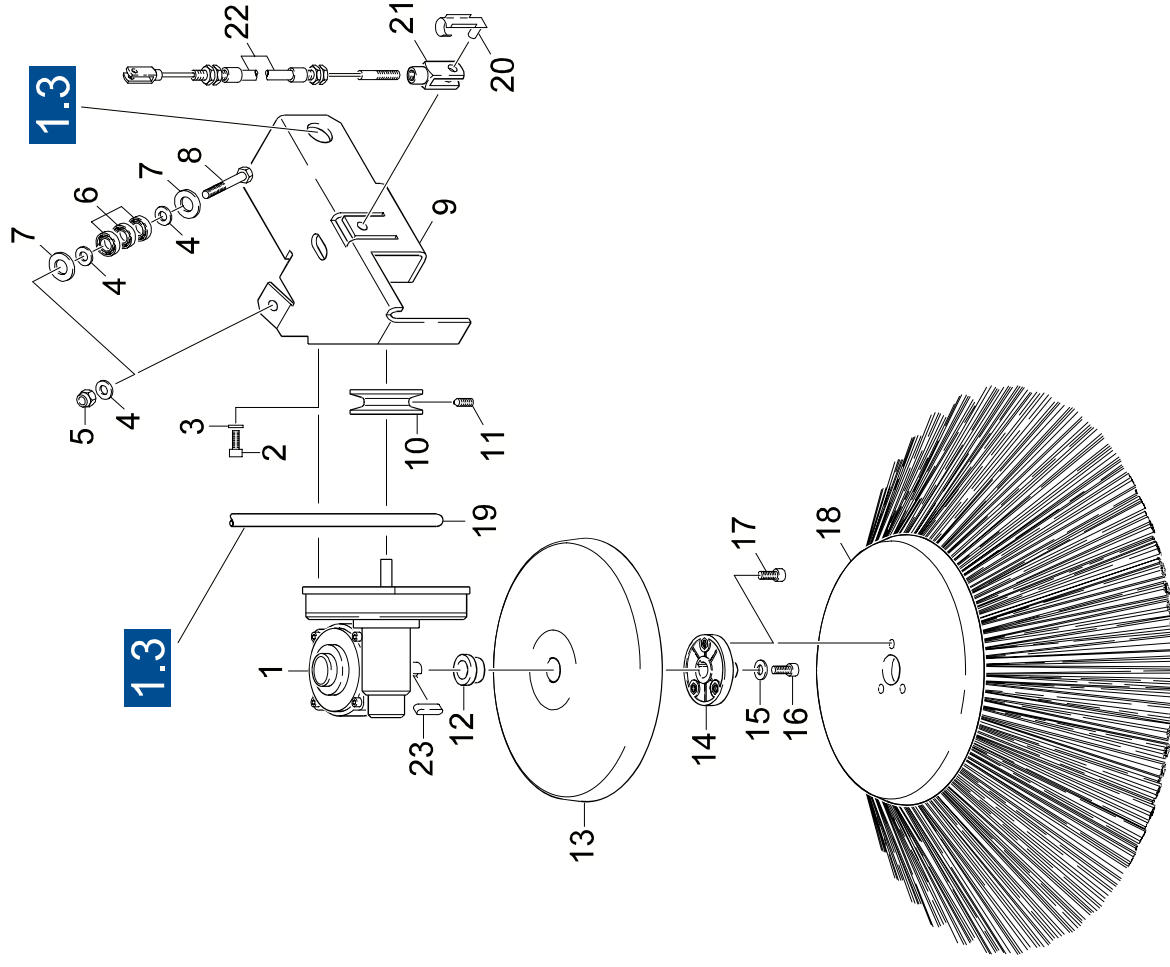
KM 85/50 W

GRUPPE: 4.0 SEITENBESEN
GROUP: 4.0 BROOM
GRUPPE: 4.0 BALAI

GRUPPE: 4.0 SEITENBESEN
GROUP: 4.0 BROOM
GRUPPE: 4.0 BALAI

B4

KM 85/50 W



Symbolbeschreibung siehe M16 / symbol description see M16 / désignation de système voir M16 /

601204

02075940

59700530

GRUPPE: 4.0 SEITENBESEN
GROUP: 4.0 BROOM
GRUPE: 4.0 BALAI

C4

KM 85/50 W

POS. ITEM. POS.	BENENNUNG DESCRIPTION DESIGNATION	TEILE-NR. PART-NO. NO.PIECE	STCK QTY. NBR.
1	SCHNECKENGETRIEBE / WORM GEARING / ENGRENAGE A VIS	6.454-056.0	1
2	SCHRAUBE M 6X 16 / SCREW / VIS	7.306-090.0	4
3	SCHEIBE 6 / WASHER / RONDELLE	7.312-003.0	4
4	SCHEIBE 8 / WASHER / RONDELLE	7.312-004.0	6
5	6KT-MUTTER M 8 / HEXAGON NUT / ECROU HEXAGONAL	7.311-510.0	2
6	KUGELLAGER 608-2RS / BALL BEARING / ROULEMENT A BILLE	7.401-149.0	6
7	SCHEIBE 8 / WASHER / RONDELLE	7.312-268.0	4
8	6KT-SCHR. M 8X 50 / HEXAGONAL HEAD SCREW / VIS HEXAGONAL	7.304-504.0	2
9	BLECHTEIL KPL. / PLATE / TOLE	4.040-064.0	1
10	RIEMENSCHLEIBE / PULLEY / POULIE	5.625-264.0	1
11	GEW.STIFT M 6X 12 / THREADED PIN / VIS SANS TETE	7.307-504.0	1
12	HUELSE / SLEEVE / DOUILLE	5.110-703.0	1
13	ABWEISSTELLER / PLATE / PLATEAU	6.903-473.0	1
14	NABE / HUB / MOYEU	5.120-305.0	1
15	SCHEIBE 6 / WASHER / RONDELLE	7.312-260.0	1
16	SCHRAUBE M 6X 20 / SCREW / VIS	7.306-092.0	1
17	ZYL.SCHR. M 6X 12 / CHEESE HEAD SCREW / VIS A TETE CYLINDR.	6.304-016.0	3
18	SEITENBESEN / BROOM / BALAI	6.905-626.0	1
19	RUNDRIEMEN D8 / BELT / COURROIE RONDE	6.348-396.0	1
20	BOLZEN / BOLT / BOULON	6.316-054.0	1
21	GABELKOPF G 8X32 / FORK HEAD / CHAPE	7.462-013.0	1
22	BOWDENZUG KPL. / BOWDEN WIRE / CABLE SOUS GAINÉ	6.431-213.0	1
23	PASSFEDER 5X 5X 20 / SPRING / RESSORT D'ADJUSTAGE	7.318-070.0	1

"=> xxxxxx" = bis Werknummer / up to serial No. / jusqu' au No. de fabr. / "xxxxxx =>" = ab Werknummer / from serial No. / a partir du No. de fabr. /

601204

02075940

59700530

GRUPPE: 5.0 BEDIENPULT
GROUP: 5.0 CONTROL UNIT
GRUPPE: 5.0 COMMANDE

A5

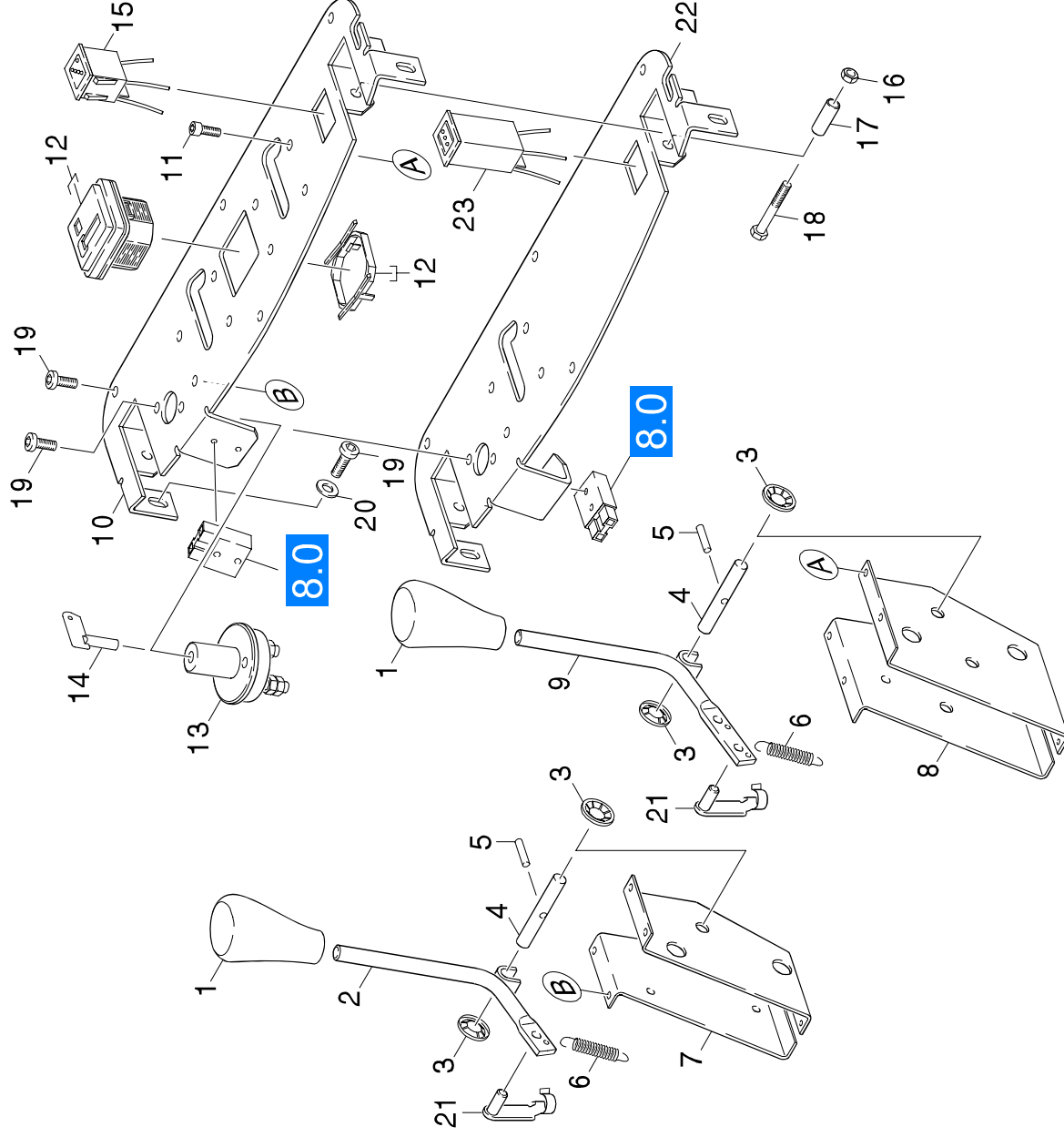
KM 85/50 W

**GRUPPE: 5.0 BEDIENPULT
GROUP: 5.0 CONTROL UNIT
GRUPPE: 5.0 COMMANDE**

GRUPPE: 5.0 BEDIENPULT
GROUP: 5.0 CONTROL UNIT
GRUPPE: 5.0 COMMANDE

B5

KM 85/50 W



Symbolbeschreibung siehe M16 / symbol description see M16 / désignation de système voir M16 /

GRUPPE: 5.0 BEDIENPULT
 GROUP: 5.0 CONTROL UNIT
 GROUPE: 5.0 COMMANDE

C5

KM 85/50 W

POS. ITEM. POS.	BENENNUNG DESCRIPTION DESIGNATION	TEILE-NR. PART-NO. NO.PIECE	STCK QTY. NBR.	POS. ITM. POS.	BENENNUNG DESCRIPTION DESIGNATION	TEILE-NR. PART-NO. NO.PIECE	STCK QTY. NBR.
1	HANDGRIFF / HANDLE / POIGNEE	5.321-606.0	2	23	BATTERIEUEBERWACH. / BATTERY MONITOR /	6.682-669.0	1
2	HEBEL / LEVER / LEVIER	4.038-550.0	1		SURVEILLANCE DE BATTERIE		
3	SCHNELLEFESTIGER / QUICK-FASTENER / ATTACHE RAPIDE	6.343-149.0	4		/ 1.351-101.0 / -111.0		
	STUECKZAHL NACH BEDARF/QUANTITY ACCORDING TO DEMAND/NOMBRE DE PIECES AU BESOIN						
4	BOLZEN / BOLT / BOULON	5.316-323.0	2				
5	SPANNSTIFT 5.0X24-A / PIN / GOUPILLE DE SERRAGE	7.314-944.0	2				
6	ZUGFEDER / EXTENSION SPRING / RESSORT DE TRACTION	6.330-068.0	2				
7	BLECHTEIL / PLATE / TOLE	5.047-725.0	1				
8	BLECHTEIL / PLATE / TOLE / 1.351-102.0 / -112.0	5.058-120.0	1				
9	HEBEL / LEVER / LEVIER	4.040-125.0	1				
	/ 1.351-102.0 / -112.0						
10	BLECHTEIL KPL. / PLATE / TOLE	4.040-087.0	1				
	/ 1.351-102.0 / -112.0						
11	SCHRAUBE M 6X 12 / SCREW / VIS	7.303-046.0	8				
12	BETRIEBSSTUNDENZAE. / HOUR METRE / COMPTEUR HORRAIRE	6.681-081.0	1				
	/ 1.351-102.0 / -112.0						
13	SCHLUESSELCHALTER / KEY SWITCH / BOUTON A CLE	6.634-196.0	1				
14	SCHLUESSEL / KEY / CLE	6.634-201.0	1				
15	BATTERIEUEBERWACH. / BATTERY MONITOR / SURVEILLANCE DE BATTERIE	6.682-657.0	1				
	/ 1.351-102.0						
15	BATTERIEUEBERWACH. / BATTERY MONITOR / SURVEILLANCE DE BATTERIE	6.682-658.0	1				
	/ 1.351-112.0						
17	ROHR / PIPE / TUYAU	5.128-541.0	2				
18	6KT-SCHR. M 8X 40 / HEXAGONAL HEAD SCREW / VIS HEXAGONAL	7.304-404.0	2				
19	SCHRAUBE M 6X 12 / SCREW / VIS	7.306-089.0	8				
20	SCHEIBE 8 / WASHER / RONDELLE	7.312-004.0	2				
21	BOLZEN D6 / BOLT / BOULON	6.316-093.0	2				
	STUECKZAHL NACH BEDARF/QUANTITY ACCORDING TO DEMAND/NOMBRE DE PIECES AU BESOIN						
22	BLECHTEIL KPL. / PLATE / TOLE / 1.351-101.0 / -111.0	4.040-285.0	1				

"=> xxxxxx" = bis Werknummer / up to serial No. / jusqu' au No. de fabr. / "xxxxxx =>" = ab Werknummer / from serial No. / a partir du No. de fabr. /

601208

02076070

59700530

GRUPPE: 6.0 SCHUBBUEGEL
GROUP: 6.0 SHEARING SHACKLE
GRUPPE: 6.0 L'ARCHET DE POUSEE

A6

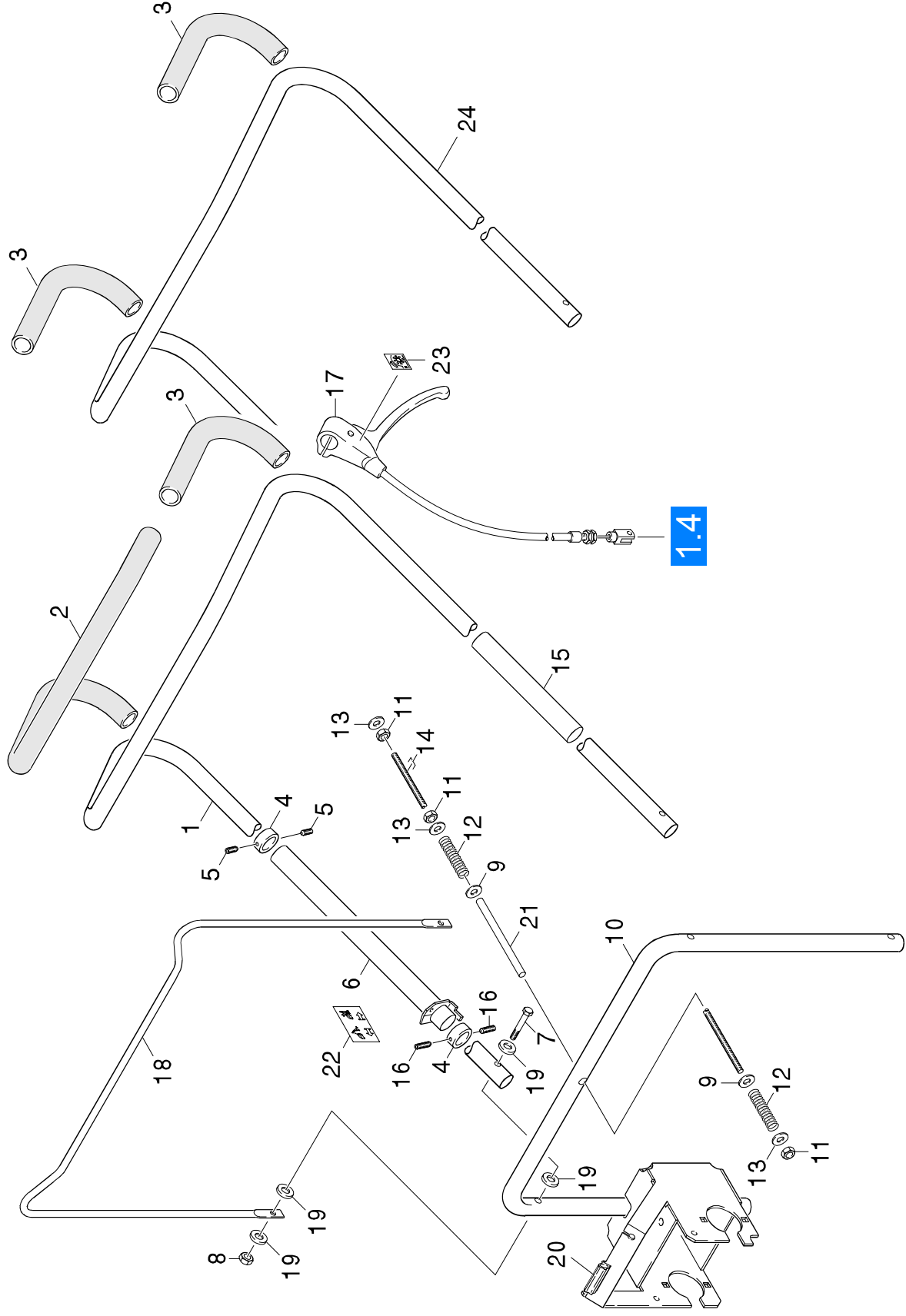
KM 85/50 W

**GRUPPE: 6.0 SCHUBBUEGEL
GROUP: 6.0 SHEARING SHACKLE
GRUPPE: 6.0 L'ARCHET DE POUSEE**

GRUPPE: 6.0 SCHUBBUEGEL
GROUP: 6.0 SHEARING SHACKLE
GROUPE: 6.0 L'ARCHET DE POUSEE

B6

KM 85/50 W



GRUPPE: 6.0 SCHUBBUEGEL
 GROUP: 6.0 SHEARING SHACKLE
 GROUPE: 6.0 L'ARCHET DE POUSSEE

C6

KM 85/50 W

POS. ITEM. POS.	BENENNUNG DESCRIPTION DESIGNATION	TEILE-NR. PART-NO. NO.PIECE	STCK QTY. NBR.	POS. ITM. POS.	BENENNUNG DESCRIPTION DESIGNATION	TEILE-NR. PART-NO. NO.PIECE	STCK QTY. NBR.
1	ROHR / PIPE / TUYAU / => 10322	5.128-216.0	1	24	ROHR / PIPE / TUYAU 10323 =>	5.128-620.0	1
	/ 1.351-102.0 / -112.0				/ 1.351-101.0 / -111.0		
2	SCHLAUCH / HOSE / TUYAU FLEXIBLE	5.440-157.0	1				
	/ 1.351-102.0 / -112.0						
3	SCHLAUCH / HOSE / TUYAU FLEXIBLE STUECKZAHL NACH BEDARF/QUANTITY ACCORDING TO DEMAND/NOMBRE DE PIECES AU BESOIN	5.440-156.0	1				
4	SPANNRING / TENSION RING / ANNEAU TENDEUR	5.263-076.0	2				
	/ 1.351-102.0 / -112.0						
5	GEW.STIFT M 5X 5 / THREADED PIN / VIS SANS TETE	7.307-512.0	2				
	/ 1.351-102.0 / -112.0						
6	ROHR KPL. / PIPE / TUYAU	4.025-762.0	1				
	/ 1.351-102.0 / -112.0						
7	6KT-SCHR. M 8X 80 / HEXAGONAL HEAD SCREW / VIS HEXAGONAL	7.304-098.0	2				
8	6KT-MUTTER M 8 / HEXAGON NUT / ECROU HEXAGONAL	7.311-510.0	2				
9	SCHEIBE 10 / WASHER / RONDELLE	7.312-005.0	1				
10	ROHR KPL. / PIPE / TUYAU	4.025-736.0	1				
11	6KT-MUTTER M 8 / HEXAGON NUT / ECROU HEXAGONAL	7.311-004.0	3				
12	DRUCKFEDER / PRESSURE SPRING / RESSORT A PRESSION	6.330-136.0	2				
13	SCHEIBE 8 / WASHER / RONDELLE	7.312-004.0	5				
14	GEWINDESTANGE / ROD / TIGE FILETEE	5.309-128.0	1				
15	ROHR / PIPE / TUYAU	5.128-488.0	1				
	/ 1.351-102.0 / -112.0						
16	GEW.STIFT M5X16 / THREADED PIN / VIS SANS TETE	7.307-012.0	2				
	/ 1.351-102.0 / -112.0						
17	BOWDENZUG KPL. / BOWDEN WIRE / CABLE SOUS GAINE	6.431-211.0	1				
	/ 1.351-102.0 / -112.0						
17	BOWDENZUG KPL. / BOWDEN WIRE / CABLE SOUS GAINE	6.431-228.0	1				
	/ 1.351-101.0 / -111.0						
18	ROHR / PIPE / TUYAU	5.128-540.0	1				
19	SCHEIBE / WASHER / RONDELLE	5.115-718.0	8				
20	DICHTUNG / SEAL / BOURRAGE	5.364-227.0	1				
21	ROHR / PIPE / TUYAU	5.128-535.0	1				
22	SCHILD / DECAL / PLAQUE	5.386-000.0	1				
	/ 1.351-102.0 / -112.0						
23	SCHILD / DECAL / PLAQUE	5.390-853.0	1				

"=> xxxxxx" = bis Werknummer / up to serial No. / jusqu' au No. de fabr. / "xxxxxx =>" = ab Werknummer / from serial No. / a partir du No. de fabr. /

601206

02075960

59700530

GRUPPE: 7.0 KEHRBEHAELTER
GROUP: 7.0 SWEEP TANK
GRUPPE: 7.0 BAC BALAYER

A7

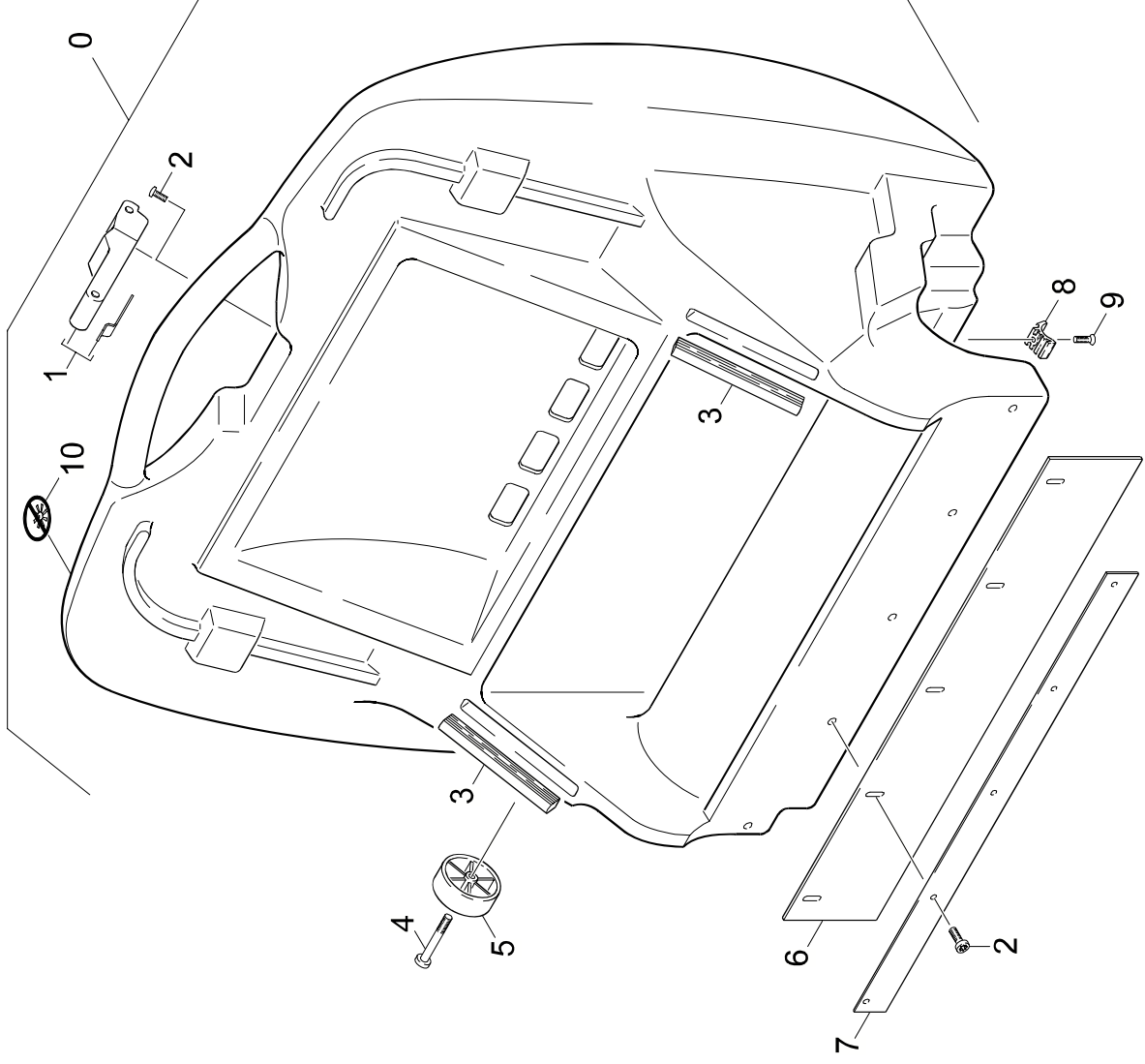
KM 85/50 W

**GRUPPE: 7.0 KEHRBEHAELTER
GROUP: 7.0 SWEEP TANK
GRUPPE: 7.0 BAC BALAYER**

GRUPPE: 7.0 KEHRBEHAELTER
GROUP: 7.0 SWEEP TANK
GRUPPE: 7.0 BAC BALAYER

B7

KM 85/50 W



Symbolbeschreibung siehe M16 / symbol description see M16 / désignation de système voir M16 /

GRUPE: 7.0 KEHRBEHAELTER
GROUP: 7.0 SWEEP TANK
GRUPE: 7.0 BAC BALAYER

C7

KM 85/50 W

POS. ITEM. POS.	BENENNUNG DESCRIPTION DESIGNATION	TEILE-NR. PART-NO. NO.PIECE	STCK QTY. NBR.
0	KEHRBEHAELTER KPL. / SWEEP TANK / BAC BALAYER	2.850-385.0	1
1	SPANNVERSCHLUSS / LOCK / MANDRIN	6.375-213.0	1
2	SCHRAUBE 5X16 / SCREW / VIS	6.303-155.0	7
3	DICHTUNGSPROFIL / PROFILED JOINT / JOINT D'ETANCHEITE PROF.	6.366-043.0	1
ALS METERWARE BESTELLEN/TO ORDER AS CUT GOODS/COMMANDE COMME MARCHANDISE AU METRE			
4	SCHRAUBE M6X70 / SCREW / VIS	7.306-145.0	2
5	RAD / WHEEL / ROUE	5.515-068.0	2
6	DICHTLIPPE / SEAL / JOINT	6.365-464.0	1
7	BLECH / PLATE / TOLE	5.007-579.0	1
8	GLEITSITZ / SLIDING / AJUSTEMENT	5.031-157.0	3
9	SENKSCHR. 5,0X 16 / FLAT HEADED SCREW / VIS A TETE CONIQUE	6.303-057.0	3
10	SCHILD / DECAL / PLAQUE	5.390-853.0	1

"=> xxxxxx" = bis Werknummer / up to serial No. / jusqu' au No. de fabr. / "xxxxxx =>" = ab Werknummer / from serial No. / a partir du No. de fabr. /

601207

02075970

59700530

GRUPPE: 8.0 BATTERIEN
GROUP: 8.0 BATTERIEN
GRUPPE: 8.0 BATTERIEN

A8

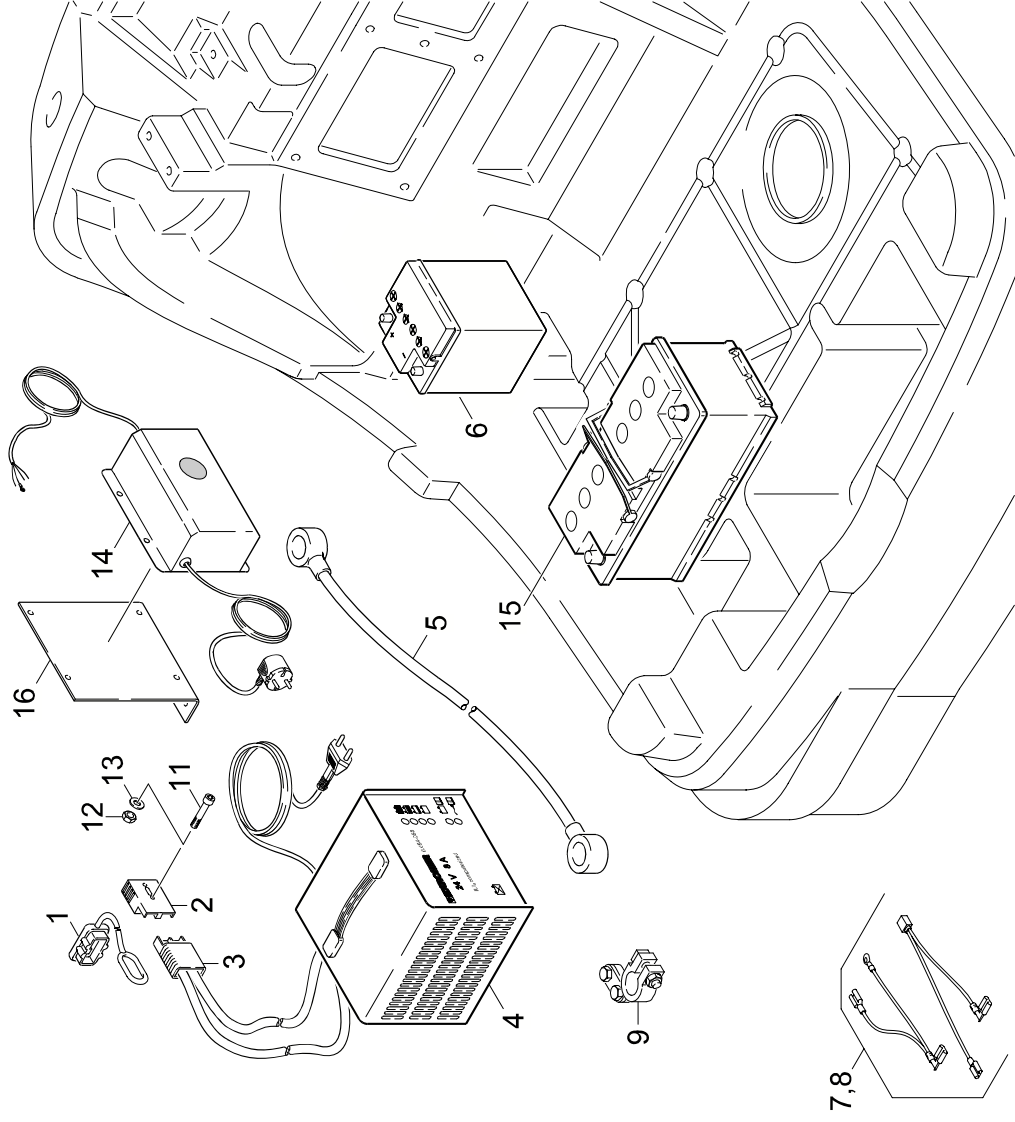
KM 85/50 W

GRUPPE: 8.0 BATTERIEN
GROUP: 8.0 BATTERIEN
GRUPPE: 8.0 BATTERIEN

GRUPPE: 8.0 BATTERIEN
GROUP: 8.0 BATTERIEN
GRUPPE: 8.0 BATTERIEN

B8

KM 85/50 W



Symbolbeschreibung siehe M16 / symbol description see M16 / désignation de système voir M16 /

601213

02076080

59700530

GRUPPE: 8.0 BATTERIEN
 GROUP: 8.0 BATTERIEN
 GROUPE: 8.0 BATTERIEN

C8

KM 85/50 W

POS. ITEM. POS.	BENENNUNG DESCRIPTION DESIGNATION	TEILE-NR. PART-NO. NO.PIECE	STCK QTY. NBR.	POS. ITEM. POS.	BENENNUNG DESCRIPTION DESIGNATION	TEILE-NR. PART-NO. NO.PIECE	STCK QTY. NBR.
1	SCHUTZKAPPE / PROTECTING CAP / CAPOT PROTECTION / 1.351-102.0	6.368-278.0	1	15	ANTRIEBSBATTERIE / BATTERY / BATTERIE AUSFUHRUNG BEACHTEN!/PAY ATTENTION TO VERSIONI//IL FAUT CONSIDERER LA VERSION! / 1.351-101.0 / -111.0	6.654-048.0	2
2	STECKER 50A-2POL / PLUG / FICHE / 1.351-102.0	6.646-140.0	1				
3	STECKER 50A-2POL / PLUG / FICHE / 1.351-102.0	6.646-345.0	1	15	ANTRIEBSBATTERIE / BATTERY / BATTERIE AUSFUHRUNG BEACHTEN!/PAY ATTENTION TO VERSIONI//IL FAUT CONSIDERER LA VERSION! / 1.351-112.0	6.654-141.0	2
4	LADEGERAET 24V / BATTERY CHARGER / CHARGEUR AUSFUHRUNG BEACHTEN!/PAY ATTENTION TO VERSIONI//IL FAUT CONSIDERER LA VERSION! / 1.351-101.0 / -111.0	6.654-067.0	1	16	BLECHTEIL / PLATE / TOLE / 1.351-112.0	5.058-529.0	1
4	LADEGERAET 24V / BATTERY CHARGER / CHARGEUR AUSFUHRUNG BEACHTEN!/PAY ATTENTION TO VERSIONI//IL FAUT CONSIDERER LA VERSION! / 1.351-102.0	6.654-102.0	1				
5	VERBINDUNGSKABEL / CABLE / CABLE DE RACCORD ANTRIEBSBATTERIE / BATTERY / BATTERIE AUSFUHRUNG BEACHTEN!/PAY ATTENTION TO VERSIONI//IL FAUT CONSIDERER LA VERSION! / 1.351-102.0	6.647-884.0 6.654-093.0	1 2				
7	KABELSATZ / CABLE SET / JEU DE CABLES / 1.351-102.0	6.648-798.0	1				
8	KABELSATZ KPL. / CABLE SET / JEU DE CABLES / 1.351-112.0	6.648-805.0	1				
8	KABELSATZ / CABLE SET / JEU DE CABLES / 1.351-101.0 / -111.0	6.648-832.0	1				
9	BATTERIEKLEMMME - / BATTERY TERMINAL / BORNE DE BATTERIE / 1.351-112.0	6.654-074.0	1				
11	SCHRAUBE M 3X 20 / SCREW / VIS	7.303-029.0	2				
12	6KT-MUTTER M 3 / HEXAGON NUT / ECROU HEXAGONAL / 1.351-102.0	7.311-000.0	2				
13	SCHEIBE 3 / WASHER / RONDELLE / 1.351-102.0	7.312-030.0	2				
14	BATTERIELADEGERAET / BATTERY CHARGER / CHARGEUR AUSFUHRUNG BEACHTEN!/PAY ATTENTION TO VERSIONI//IL FAUT CONSIDERER LA VERSION! / 1.351-112.0	6.654-140.0	1				

"=> xxxxxx" = bis Werknummer / up to serial No. / jusqu' au No. de fabr. / "xxxxxx =>" = ab Werknummer / from serial No. / a partir du No. de fabr. /

601213

02076080

59700530

M15

Bestellhinweis

Bei Ihrer Bestellung sind unbedingt anzugeben :

- | | | | | |
|---|---|--|---|---|
| <p>1.
Gerätetyp
Machine model
Type d'appareils</p> | <p>2.
Herstell-Nr.
Serial-No.
No. de série</p> | <p>3.
Benennung
Description
Designation</p> | <p>4.
Teile-Nr.
Part No.
Référence</p> | <p>5.
Stückzahl
Piece No.
Quantité</p> |
|---|---|--|---|---|



**siehe Typenschild
see name-plate
voir plaque signalétique**



**siehe Ersatzteilliste
see spare parts list
voir liste des pièces de rechange**

Bitte beachten Sie, daß der Teileumfang dieser Ersatzteilliste nicht unbedingt dem Lieferumfang Ihres Geräte entspricht.

For your information: It could be that certain parts quoted in this spare parts list were not included with the machine delivery.

Pour votre information: il se peut que certaines pièces détachées mentionnées sur la liste ne vous aient pas été livrées avec l'appareil.

Die in dieser Ersatzteilliste nicht aufgeführten Einzelteile, bestellen Sie bitte direkt beim Vertragskundendienst des jeweiligen Herstellers.

Please order the individual parts not included in this assembly directly with the contract aftersales service of the manufacturer in question.

Veillez s'il vous plaît, commander les pièces détachées qui ne sont indiquées dans notre liste des pièces détachées, directement auprès du service après-vente des fabricants en question.

Bei Bestellung von lackierten Teilen, welche in der Ersatzteilliste nicht in verschiedenen Farben ausgewiesen sind, ist zusätzlich die Farbnummer oder Farbe mit anzugeben. Diese finden Sie auf dem Typenschild oder Farbschild Ihres Gerätes.

Upon ordering of varnished parts which are not mentioned in the spare parts list as parts with different colors, kindly additionally mention the number of the color. It can be seen on the type plate of the color plate of your machine.

Commandant des parts vernissés qui ne sont pas mentionnés comme parts avec une couleur différente dans la liste des pièces détachées, veuillez mentionner de plus le numéro de la couleur. Il se trouve sur la plaque signalétique ou la plaque de couleur de votre machine.

Aufflistungen von Einzelteilen bei Ersatzteil - u. Pumpensets sind in der Reihe "16" einzusehen, bzw. direkt unter dem entsprechenden Set aufgelistet.

Listings of single parts upon spare parts kits and pump kits can be seen in row "16" or directly listed below the corresponding kit.

Des établissements des pièces détachées en ce qui concerne les kits des pièces de rechange et les kits de pompes, peuvent être vus à la ligne "16" ou ils sont répertoriés directement au-dessous du jeu correspondant.

Technische Änderungen im Rahmen der Weiterentwicklung sowie das Recht der ausschließlichen Auswertung unseres geistigen Eigentums behalten wir uns vor. Vervielfältigung und Nachdruck nur mit Genehmigung und Urheberhinweis möglich.

We reserve the right to make technical changes in the course of development work and the right to make exclusive use of our intellectual property. This spare parts list may be duplicated or reprinted only with our approval and with acknowledgement of our copyright.

Nous nous réservons le droit de toutes modifications techniques dans le cadre du perfectionnement des mises au point ainsi que le droit de la mise en valeur exclusive de notre propriété intellectuelle. Polycopie et reproduction exclusivement après accord et avec mention de l'auteur.

- Die Ersatzteile, welche als Meterware geliefert werden, sind auf Einbaulänge selbst zu kürzen. Ebenso sind die Stückzahlen in den jeweiligen Gruppen als Mindestbestimmungen = 1m angegeben und können je nach Bedarf auf weitere volle Meterzahlen erhöht und bestellt werden.
- Spare Parts which are delivered as cut goods have to be shortened to installation length. The quotation of quantity in each group refers to the minimum order quantity = 1m and may be ordered and raised to further full metre-values according to demand
- Les pièces de rechange qui sont livrées comme marchandise au mètre sont à raccourcir selon la longueur d'installation. Les indications de quantité dans chaque group se réfèrent à des valeurs de mètre de plus.
- Diese Ersatzteilliste erscheint in gedruckter Form sowie als Mikrofiche. Bei Querverweisen bezieht sich die Angabe "Seitenzahl" auf die gedruckte Ersatzteilliste und die Angabe "Bildtafel" auf die Mikrofilmausgabe.
- This spare parts list is published both in printed form and as a microfiche. In the cross-references, "page number" refers to the printed spare parts list and "display table" to the microfilm edition.
- Cette liste de pièces de rechange est aussi bien imprimée que publiée sous forme de microfiche. Les indications transversales renvoient au "numéro de page" sur la liste imprimée des pièces de rechange et à la "planche" sur la microfiche.

INDEX

M16

KM 85/50 W

GRUPPE:	1.0 GERAET-EINZELTEILE	A1-M1
GROUP:	1.0 APPLIANCE - PIECE PARTS	
GRUPPE:	1.0 USTENSILE-PIECES CONSTIT.	
GRUPPE:	2.0 ANTRIEB	A2-E2
GROUP:	2.0 GEAR	
GRUPPE:	2.0 ENTRAINEMENT	
GRUPPE:	3.0 FILTERKASTEN	A3-C3
GROUP:	3.0 FILTER BOX	
GRUPPE:	3.0 FILTRE	
GRUPPE:	4.0 SEITENBESEN	A4-C4
GROUP:	4.0 BROOM	
GRUPPE:	4.0 BALAI	
GRUPPE:	5.0 BEDIENPULT	A5-C5
GROUP:	5.0 CONTROL UNIT	
GRUPPE:	5.0 COMMANDE	
GRUPPE:	6.0 SCHUBBUEGEL	A6-C6
GROUP:	6.0 SHEARING SHACKLE	
GRUPPE:	6.0 L'ARCHET DE POUSEE	
GRUPPE:	7.0 KEHRBEHAELTER	A7-C7
GROUP:	7.0 SWEEP TANK	
GRUPPE:	7.0 BAC BALAYER	
GRUPPE:	8.0 BATTERIEN	A8-C8
GROUP:	8.0 BATTERIEN	
GRUPPE:	8.0 BATTERIEN	



BEISPIEL: VERSION 1
EXAMPLE: VERSION 1
EXEMPLE: VERSION 1

3.0

BEISPIEL: SIEHE IN GRUPPE 3
EXAMPLE: SEE IN GROUP 3
EXEMPLE: VOIR EN GROUPE 3



WICHTIGER HINWEIS
IMPORTANT REMARK
REMARCAQUAGE IMPORTANT

BESTELNHINWEIS SIEHE M15
EXAMPLE ORDER SEE M15
EXEMPLE DE COMMANDE VOIR M15

VARIANTENÜBERSICHT SIEHE L16
VARIANTS SURVEY SEE L16
VUE D'ENSEMBLE DE VARIANTS VOIR L16